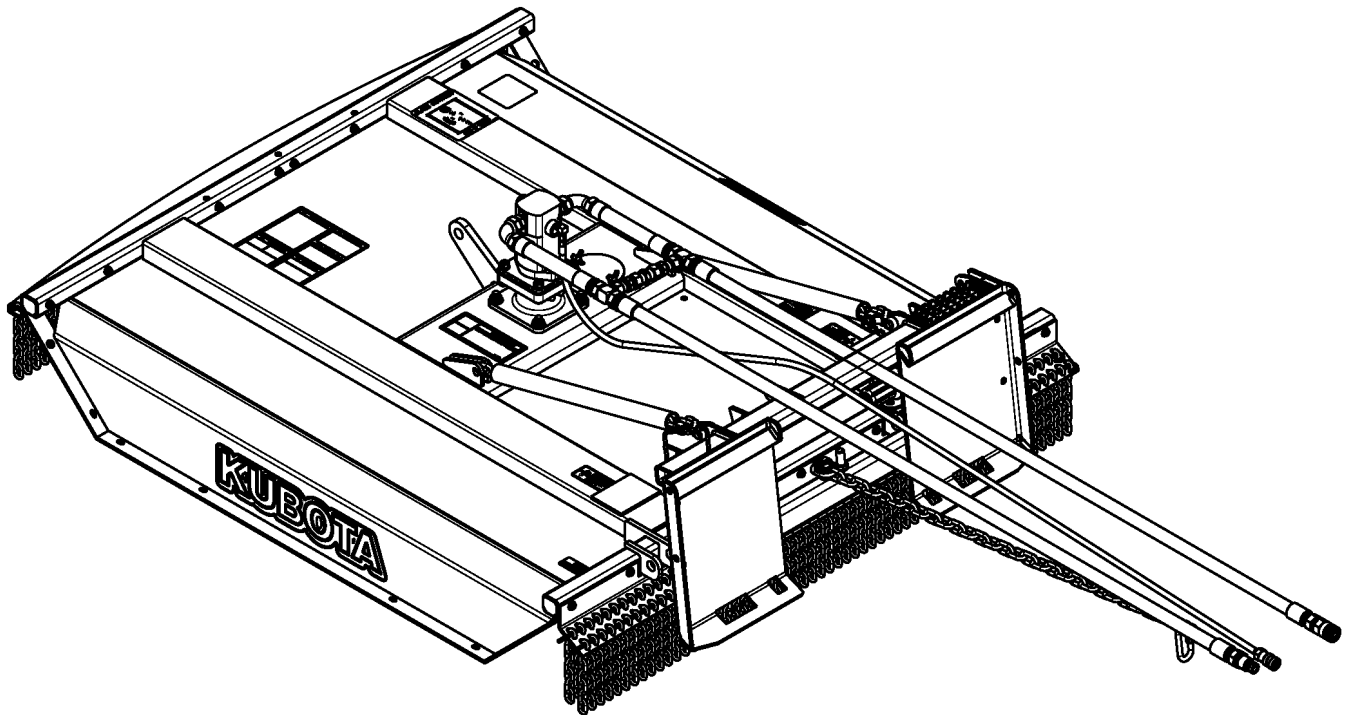


Skid Cutters

AP-SC2560 & AP-SC2572



39182

326-836PK **Parts Manual**

Kubota®



Read the Operator's Manual entirely. When you see this symbol, the subsequent instructions and warnings are serious - follow without exception. Your life and the lives of others depend on it!

© Copyright 2018 Printed 07/11/18

Cover photo may show optional equipment not supplied with standard unit.



Table of Contents

Section 1: Introduction.....	4
Using This Manual.....	4
Manual Replacement Information.....	4
Manual Revisions.....	4
Touch-up Paint.....	4
Hardware Legend.....	5
Replacement Hardware.....	5
Serial Numbers.....	5
Part Number Service Coding.....	5
Section 2: Cutter Assembly.....	6
Blade Drive 60".....	6
Blade Drive 72".....	8
Deck 60".....	10
Deck 72".....	12
Guard Chain Front S/N 1002069K-.....	14
Guard Chain Front S/N 1002070K+.....	16
Guard Chain Rear.....	18
Hitch Components.....	20
Section 3: Hydraulics.....	22
Hydraulic Motor 4.9 Cubic Inch Eaton (850-090C).....	22
Hydraulic Motor 6.2 Cubic Inch Eaton (850-091C).....	24
Hydraulic Motor 7.9 Cubic Inch Eaton (850-029C).....	26
Motor & Hose Assembly (Eaton).....	28
Spindle Hub Assembly (826-110C).....	30
Section 4: Gearboxes.....	32
Flex Coupler (826-548C).....	32
Gearbox (826-380C) Comer.....	34
Section 5: Decals.....	36
Decals SC2560.....	36
Decals SC2572.....	38
Kubota Touch-up Paints.....	40
Section 6: Options & Accessories.....	42
Gauge Wheel S/N 1002069K-.....	42
Gauge Wheel S/N 1002070K+.....	44
Hub Assembly 4-Bolt W/ Zerk & Studs (815-092C).....	46
Large Flat Faced Couplers With Adapters Bundle.....	48
Motor Pressure Gauge.....	50
Skid Shoe Options.....	52
Part Number Index.....	54

© Copyright 2018. All rights reserved.

Kubota provides this publication "as is" without warranty of any kind, either expressed or implied. While every precaution has been taken in the preparation of this manual, Kubota assumes no responsibility for errors or omissions. Neither is any liability assumed for damages resulting from the use of the information contained herein. Kubota reserves the right to revise and improve its products as it sees fit. This publication describes the state of this product at the time of its publication, and may not reflect the product in the future. The illustrations in this manual are not intended for safe and proper assembly or disassembly of equipment. The illustrations are intended for ordering parts only.

Kubota is registered trademark.

All other brands and product names are trademarks or registered trademarks of their respective holders.

Printed in the United States of America.



Alphabetized Table of Contents

B	
Blade Drive 60".....	6
Blade Drive 72".....	8
D	
Decals SC2560.....	36
Decals SC2572.....	38
Deck 60".....	10
Deck 72".....	12
F	
Flex Coupler (826-548C).....	32
G	
Gauge Wheel S/N 1002069K-.....	42
Gauge Wheel S/N 1002070K+.....	44
Gearbox (826-380C) Comer.....	34
Guard Chain Front S/N 1002069K-.....	14
Guard Chain Front S/N 1002070K+.....	16
Guard Chain Rear.....	18
H	
Hitch Components.....	20
Hub Assembly 4-Bolt W/ Zerk & Studs (815-092C).....	46
Hydraulic Motor 4.9 Cubic Inch Eaton (850-090C).....	22
Hydraulic Motor 6.2 Cubic Inch Eaton (850-091C).....	24
Hydraulic Motor 7.9 Cubic Inch Eaton (850-029C).....	26
K	
Kubota Touch-up Paints.....	40
L	
Large Flat Faced Couplers With Adapters Bundle.....	48
M	
Motor & Hose Assembly (Eaton).....	28
Motor Pressure Gauge.....	50
S	
Skid Shoe Options.....	52
Spindle Hub Assembly (826-110C).....	30

General Information

Using This Manual

This manual is divided into sections. The first section contains General Information. The remaining sections divide the machine into segments (i.e. Frames, Drives, Hydraulics, etc.) which illustrate and list all parts. A Parts Number Index is located at the back of the book.

The Kubota parts in this manual are specially designed for this machine and should be replaced with Kubota parts only.

The information in this manual is current at time of printing. Some parts may change to assure top performance.

Right-hand and left-hand as used in this manual are determined by facing the direction the machine will travel while in use.

Below is an example of two facing pages from a parts manual. Familiarize yourself with the type of information contained on these pages.

Manual Replacement Information

Replacement manuals are available. Refer to our website at www.landpride.com for additional information. Our website continues to provide the most up-to-date manuals available.

Touch-up Paint

Repaint parts where paint is worn or scratched to prevent rust. Aerosol cans and touch-up bottles with brush applicator are available through your local dealer. Also available are quart and gallon size paints. Add QT or GL to end of the Aerosol P/N.

Kubota color descriptions and part numbers are listed on the "Kubota Touch-up Paints" page in the "Decals" section of this book.



General Information

Hardware Legend

AR	As Required
BLADE	Blade Bolt
C	Cap Screw
CP	Cotter Pin
CPHSSS	Cup Point Hex Socket Set Screw
CPSHSS	Cup Point Square Head Set Screw
CPSQHSS	Cup Point Square Head Set Screw
CRFCHMS3	Cross Recess Flat Countersunk Head Machine Screw
CRPHMS	Cross Recess Pan Head Machine Screw
CRPHTFS	Cross Recess Pan Head Thread Forming
CRRHMS	Cross Recess Round Head Machine Screw
CRTHMS	Cross Recess Truss Head Machine Screw
CSNB	Countersunk Square Neck Bolt
FHMS	Flat Head Machine Screw
FTC	Full Thread Cap Screw
H	Hex Nut
HCLN	Hex Center Lock Nut
HFLCS	Hex Flange Lock Cap Screw
HFS	Hex Flange Screw
HFSLN	Hex Flange Serrated Lock Nut
HFSS	Hex Flange Serrated Screw
HHCS	Hex Head Cap Screw or Metric Bolt
HSBHCS	Hex Socket Button Head Cap Screw
HSFCHCS	Hex Socket Flat Countersunk Head Cap Screw
HSHCS	Hex Socket Head Cap Screw
HSSS	Hex Socket Head Screw
HTLN	Hex Top Lock Nut
HWHCS	Hex Washer Head Cap Screw

HWHMS	Hex Washer Head Machine Screw
HXBHCS	Hex Socket Button Head Cap Screw
J	Hex Jam Nut
JIC	37 Degree Tapered Thread
L	Helical Spring Lock Washer
LUG	Lug Bolt
NFC	National Fine Cap Screw
NPSM	National Pipe Straight Mechanical
NPTF	National Pipe Taper Fuel
P	Wide Plain Washer
PHMS	Pan Head Machine Screw
PLOW	Plow Bolt
RHMS	Round Head Machine Screw
RHSNB	Round Head Square Neck Bolt
SCREW LEVELING	Leveling Screw
SCREW THUMB	Thumb Screw
SCREW WELD	Weld Screw
SFCHMS	Slotted Flat Countersunk Head Machine Screw
SFHMS	Slotted Fillister Head Machine Screw
SP	Special
SP SCREW	Special Screw
SQHSS	Square Head Set Screw
SRHMS	Slotted Round Head Machine Screw
SSS	Socket Set Screw
STCS	Self Tapping Cap Screw
STHMS	Slotted Truss Head Machine Screw
WHEEL	Wheel Studs and Hub Long Bolts
WING	Wing Bolt

Replacement Hardware

The **Hardware Legend** above lists hardware abbreviations used in the parts list. All bolts and nuts are Grade 5 unless otherwise noted. The use of improper grades of hardware can result in personal injury, damage to equipment, or loss of property.

Part Number Service Coding

Within the parts list some part numbers are coded for revisions and interchangeability. See notations in revision column.

Serial Numbers

Always use the serial and model number when ordering parts. Refer to the Operator's Manual for serial number plate location.

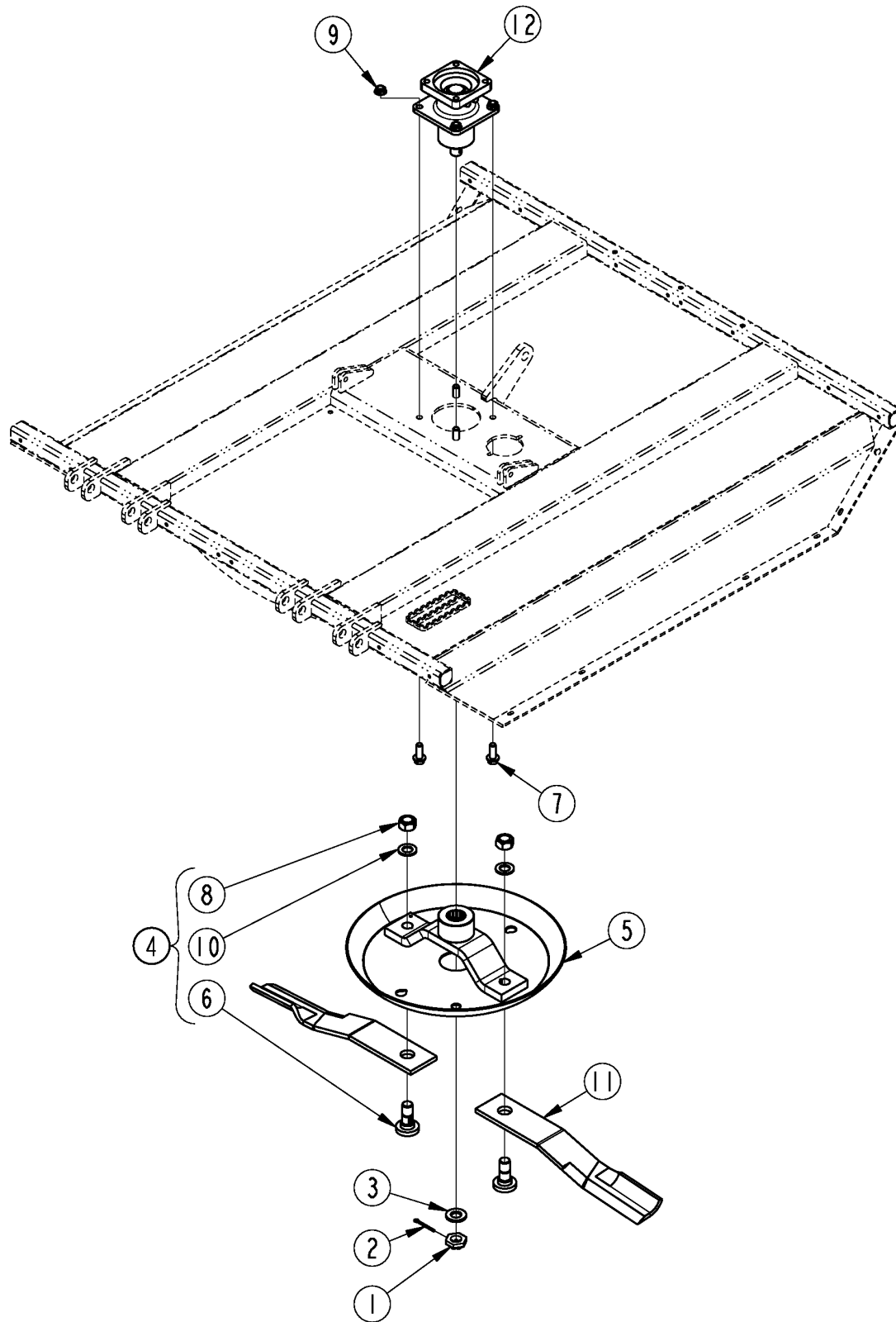
(S/N 20001+) Includes serial numbers 20001 and above (to the latest number)

(S/N 10001 to 20000) Includes serial numbers between and including 10001 and 20000

(S/N 10000-) Includes serial numbers 10000 and below (to the earliest number)

Blade Drive 60"

Applies to AP-SC2560



37913

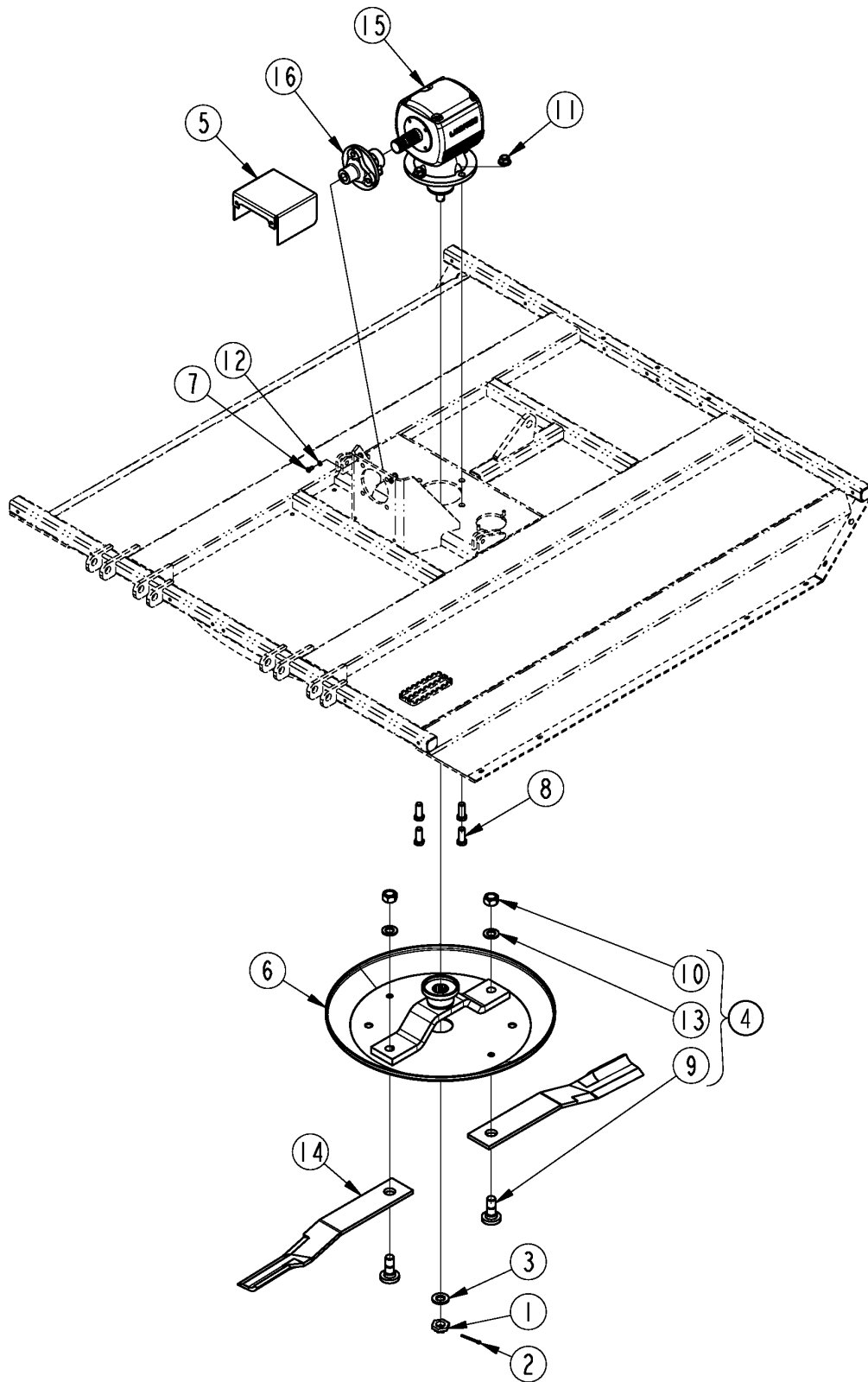
Blade Drive 60"

Applies to AP-SC2560

Ref	Part No.	Part Description	Comments	Revision
	Dwg 37913	Drawing Image Number		
1.	8.2.2.00555	CO NUT, CASTLE M30 X 2		
2.	8.4.7.00146	CO COTTER PIN B6 X 60		
3.	0.139.7101.00	CO BLANK WASHER		
4.	318-586A	BLADE BOLT KIT		
5.	316-124H	DISHPAN WELDMENT SPCL-HUB		
6.	802-277C	BLD BLT 1 1/8-12X3.44 W/.25KEY		
7.	802-657C	HFS 5/8-11 X 1 3/4 GR8		
8.	803-170C	NUT HEX TOP LOCK 1 1/8-12 PLT		
9.	803-263C	NUT HEX FLANGE LOCK 5/8-11 PLT		
10.	804-147C	WASHER FLAT 1" HARDENED		
11.	820-112C	CUTTER BLADE 1/2X4X25 CW		
12.	826-110C	SPINDLE HUB ASSY		

Blade Drive 72"

Applies to AP-SC2572



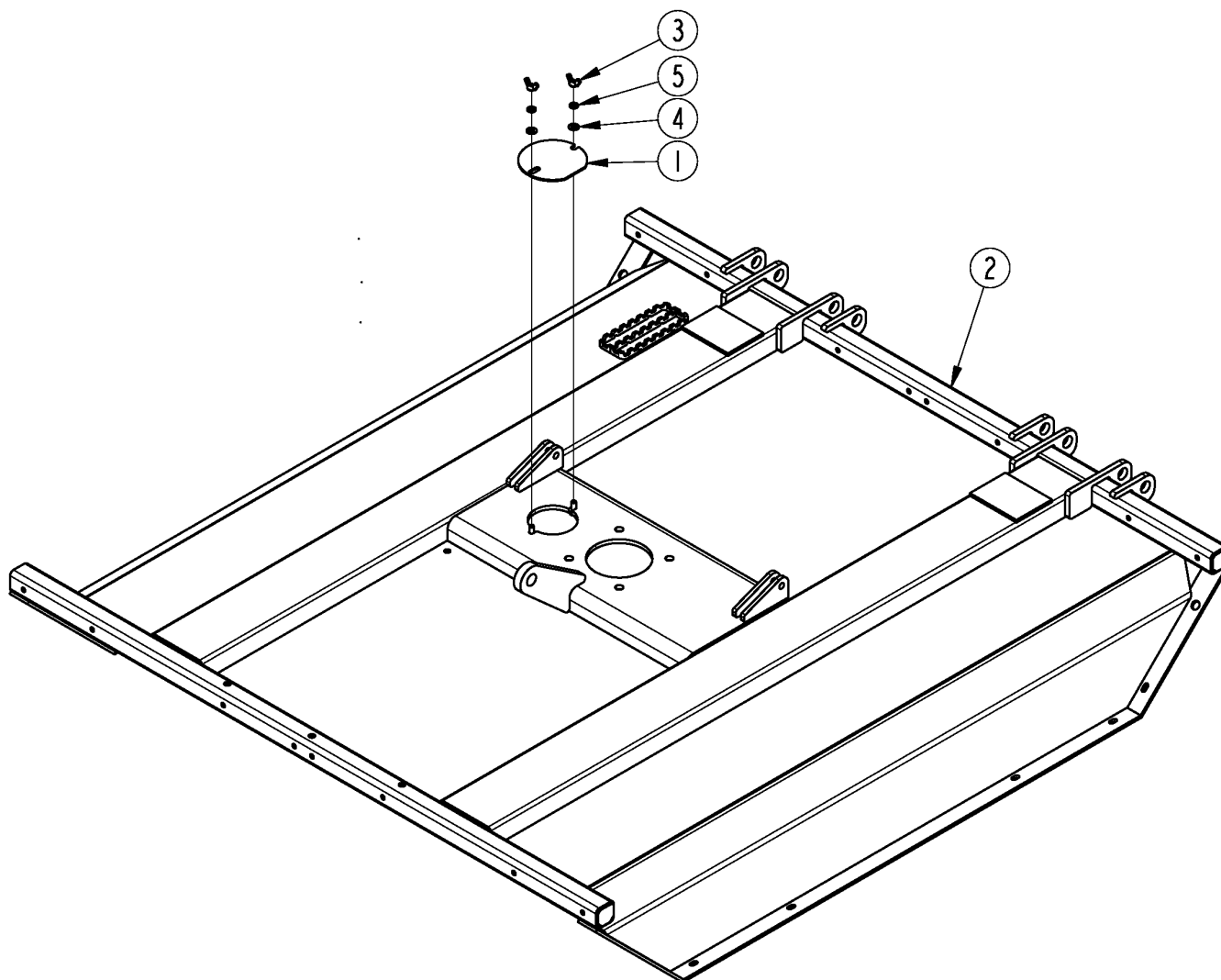
37914

Blade Drive 72"**Applies to AP-SC2572**

Ref	Part No.	Part Description	Comments	Revision
	Dwg 37914	Drawing Image Number		
1.	8.2.2.00555	CO NUT, CASTLE M30 X 2		
2.	8.4.7.00146	CO COTTER PIN B6 X 60		
3.	0.139.7101.00	CO BLANK WASHER		
4.	318-586A	BLADE BOLT KIT		
5.	326-096H	GUARD WELDMENT		
6.	327-144H	WLDMT. DISHPAN RCR2672		
7.	802-007C	HHCS 5/16-18X3/4 GR5		
8.	802-064C	HHCS 3/4-10X2 GR5		
9.	802-277C	BLD BLT 1 1/8-12X3.44 W/.25KEY		
10.	803-170C	NUT HEX TOP LOCK 1 1/8-12 PLT		
11.	803-299C	NUT HEX FLG TOP LK 3/4-10 PLT		
12.	804-009C	WASHER LOCK SPRING 5/16 PLT		
13.	804-147C	WASHER FLAT 1" HARDENED		
14.	820-249C	CUTTER BLADE 1/2X4X29 CW		
15.	826-380C	GBOX RC35 1.75-20 1.21:1 STD.		
16.	826-548C	DRVLN 6F 1.75-20 FLXCPLR		

Deck 60"

Applies to AP-SC2560



37886

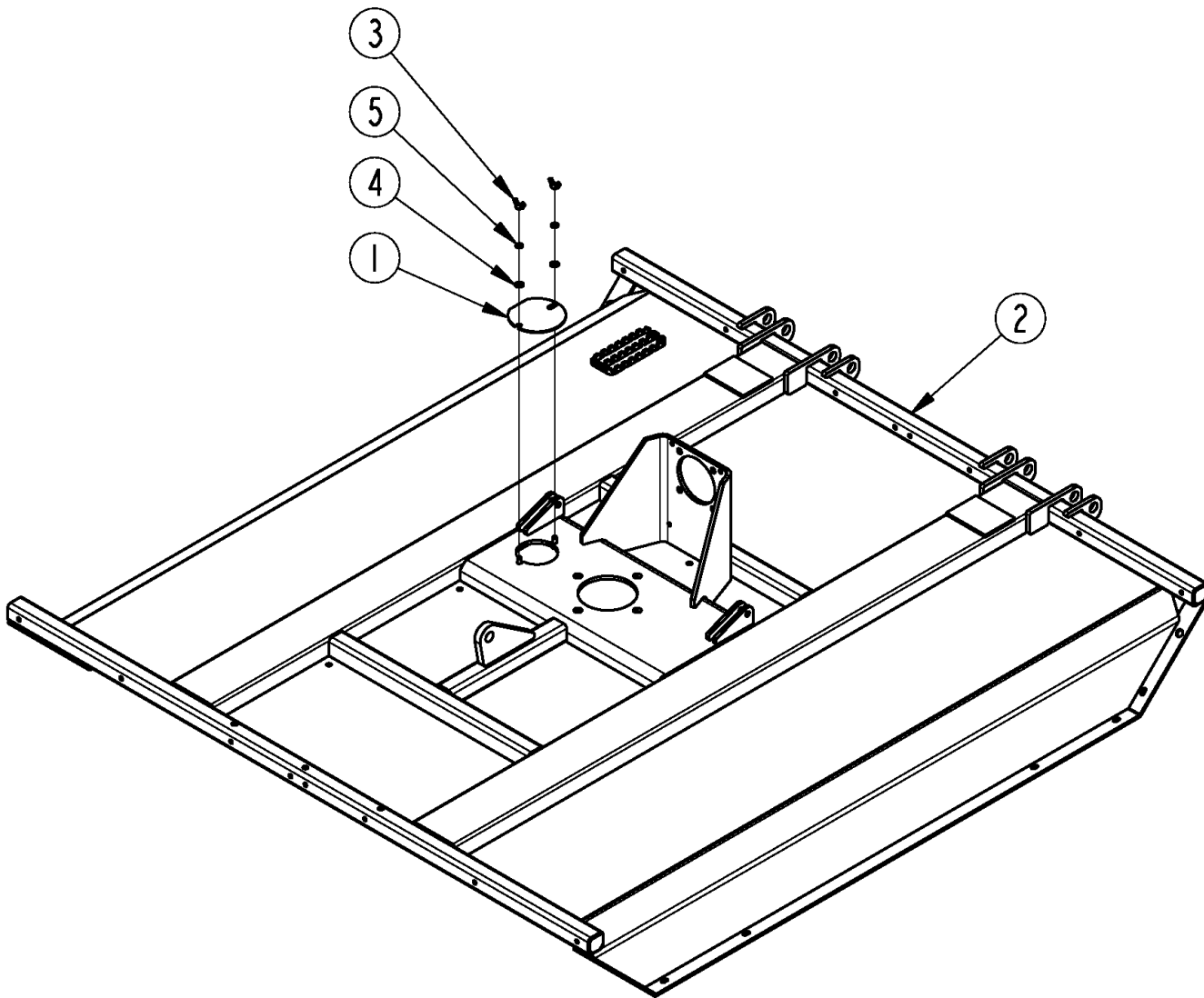
Deck 60"

Applies to AP-SC2560

Ref	Part No.	Part Description	Comments	Revision
	Dwg 37886	Drawing Image Number		
1.	312-647D	BLADE BOLT ACCESS COVER		
2.	326-823H	DECK 60"		
3.	803-231C	NUT WING 3/8-16 PLT		
4.	804-012C	WASHER FLAT 3/8 SAE PLT		
5.	804-013C	WASHER LOCK SPRING 3/8 PLT		

Deck 72"

Applies to AP-SC2572



39625

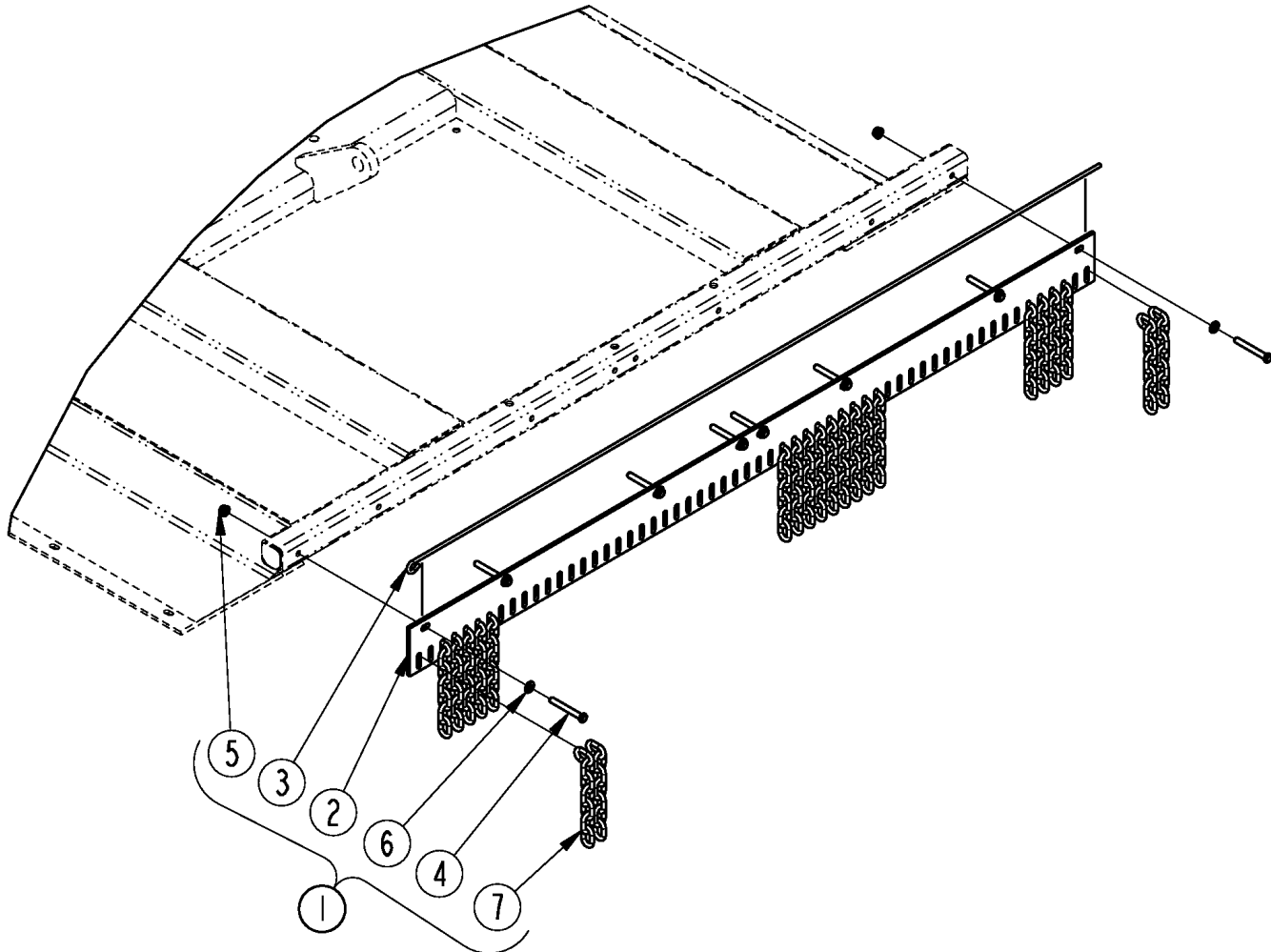
Deck 72"

Applies to AP-SC2572

Ref	Part No.	Part Description	Comments	Revision
	Dwg 39625	Drawing Image Number		
1.	312-647D	BLADE BOLT ACCESS COVER		
2.	326-831H	DECK 72"		
3.	803-231C	NUT WING 3/8-16 PLT		
4.	804-012C	WASHER FLAT 3/8 SAE PLT		
5.	804-013C	WASHER LOCK SPRING 3/8 PLT		

Guard Chain Front S/N 1002069K-

Applies to AP-SC2560, AP-SC2572



37887

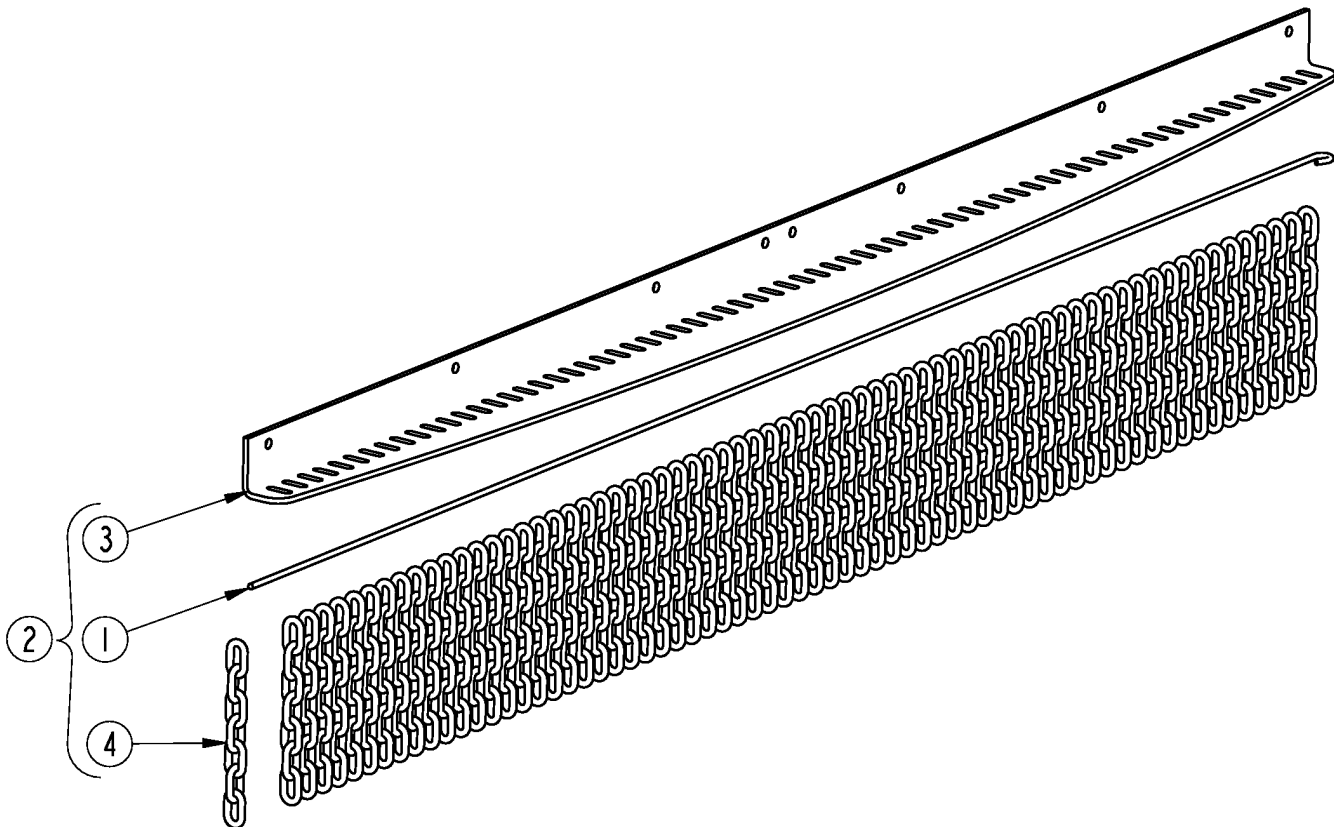
Guard Chain Front S/N 1002069K-

Applies to AP-SC2560, AP-SC2572

Ref	Part No.	Part Description	Comments	Revision
	Dwg 37887	Drawing Image Number		
1.	326-008K	FRONT CHAIN GUARD	AP-SC2560	
1.	326-077K	FRONT CHAIN GUARD	AP-SC2572	
2.	326-256D	FRONT CHAIN GUARD MOUNT	AP-SC2560	
2.	326-391D	FRONT CHAIN GUARD MOUNT	AP-SC2572	
3.	326-283D	CHAIN RETAINER	AP-SC2560	
3.	326-392D	CHAIN RETAINER	AP-SC2572	
4.	802-024C	HHCS 3/8-16X3 GR5		
5.	803-198C	NUT HEX WHIZ 3/8-16 PLT		
6.	804-012C	WASHER FLAT 3/8 SAE PLT		
7.	890-393C	CHAIN WELD 5/16 GR 43 X 7-LINK		

Guard Chain Front S/N 1002070K+

Applies to AP-SC2560, AP-SC2572



39954

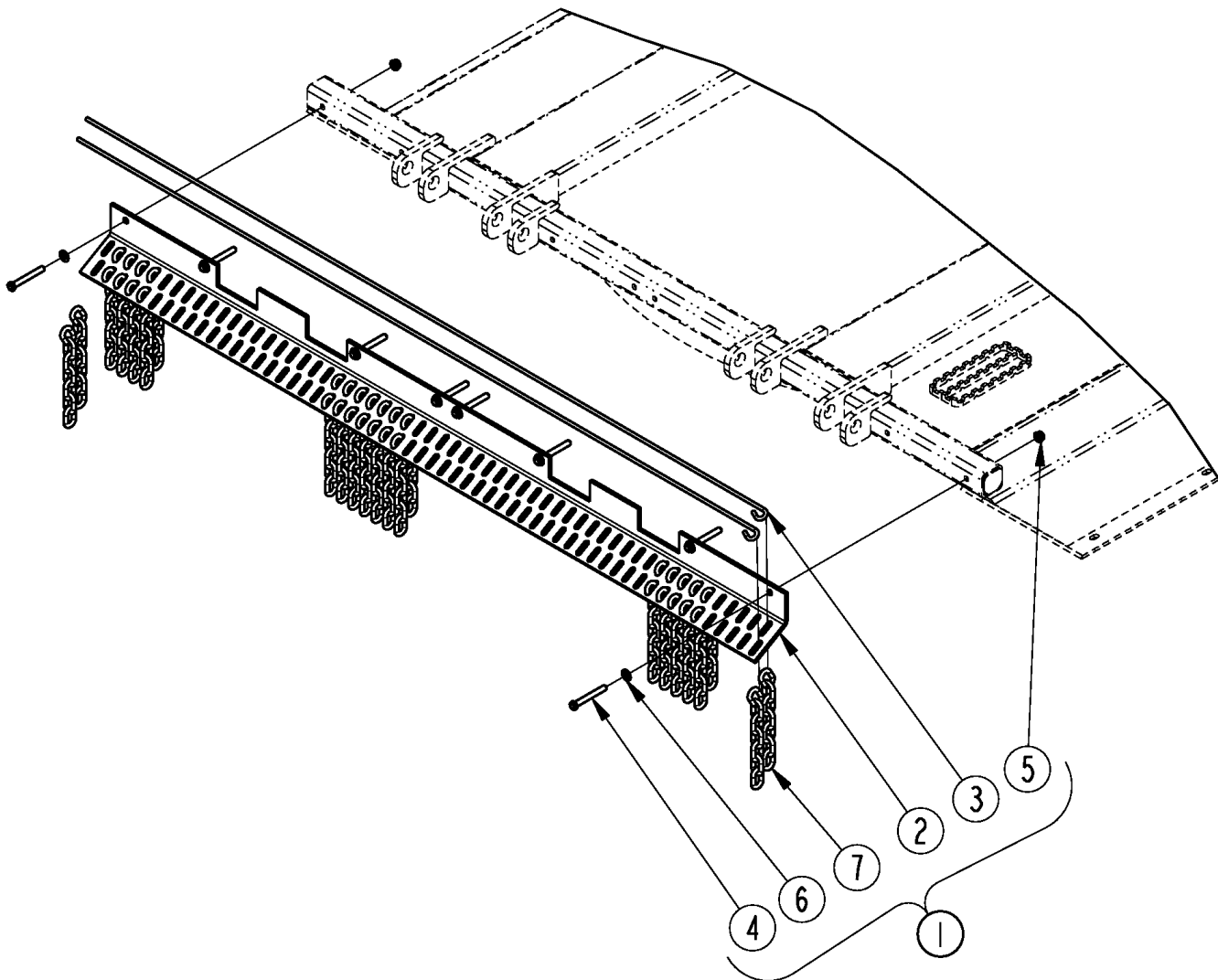
Guard Chain Front S/N 1002070K+

Applies to AP-SC2560, AP-SC2572

Ref	Part No.	Part Description	Comments	Revision
	Dwg 39954	Drawing Image Number		
1.	326-283D	CHAIN RETAINER	SC2560	
1.	326-392D	CHAIN RETAINER	SC2572	
2.	326-859K	CHAIN GUARD FRONT	SC2560	
2.	326-855K	GUARD FRONT	SC2572	
3.	327-527D	CHAIN GUARD 60"	SC2560	
3.	327-525D	GUARD FRONT	SC2572	
4.	890-393C	CHAIN WELD 5/16 GR 43 X 7-LINK		

Guard Chain Rear

Applies to AP-SC2560, AP-SC2572



37888

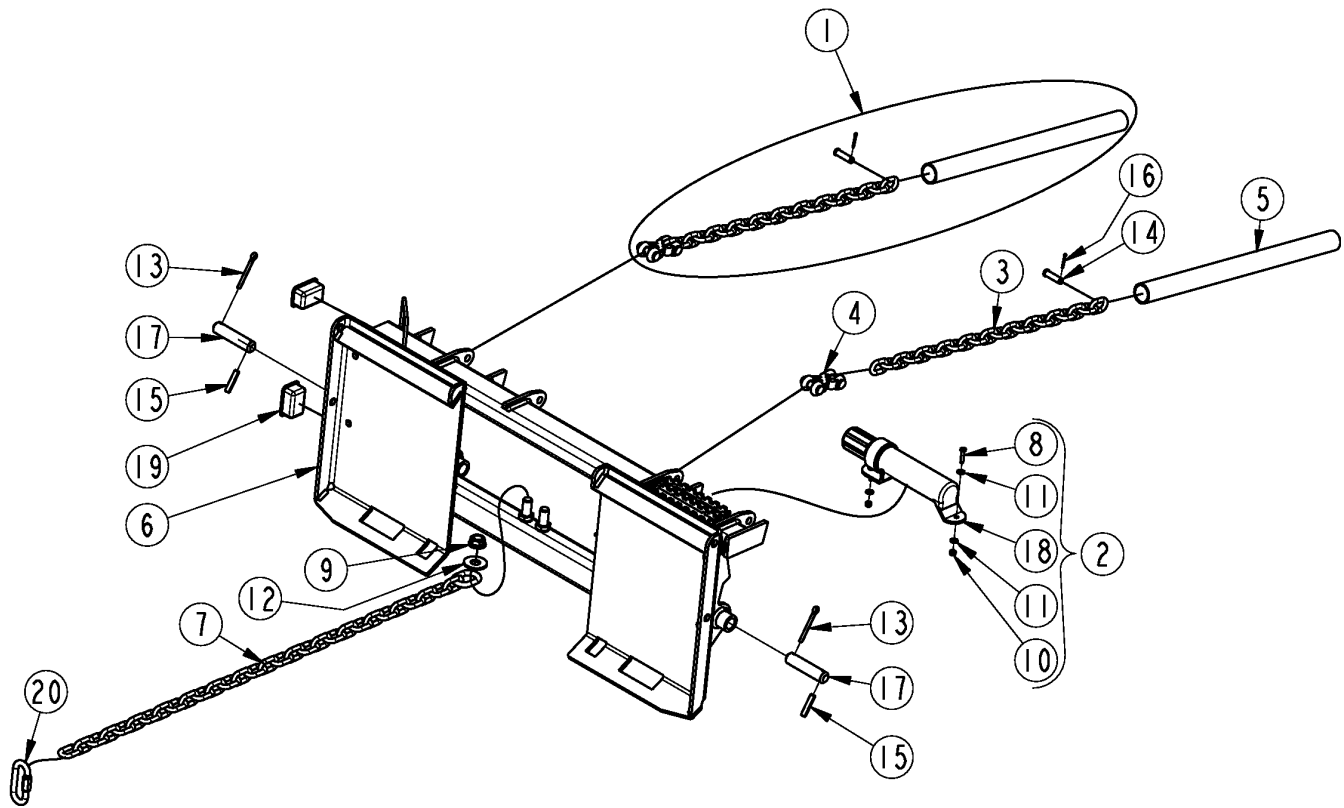
Guard Chain Rear

Applies to AP-SC2560, AP-SC2572

Ref	Part No.	Part Description	Comments	Revision
	Dwg 37888	Drawing Image Number		
1.	326-007K	REAR DOUBLE CHAIN GUARD	AP-SC2560	
1.	326-078K	REAR GUARD ASSY	AP-SC2572	
2.	326-255D	REAR DOUBLE CHAIN MOUNT	AP-SC2560	
2.	326-393D	REAR DOUBLE CHAIN MOUNT	AP-SC2572	
3.	326-283D	CHAIN RETAINER	AP-SC2560	
3.	326-392D	CHAIN RETAINER	AP-SC2572	
4.	802-024C	HHCS 3/8-16X3 GR5		
5.	803-198C	NUT HEX WHIZ 3/8-16 PLT		
6.	804-012C	WASHER FLAT 3/8 SAE PLT		
7.	890-393C	CHAIN WELD 5/16 GR 43 X 7-LINK		

Hitch Components

Applies to AP-SC2560, AP-SC2572



39103

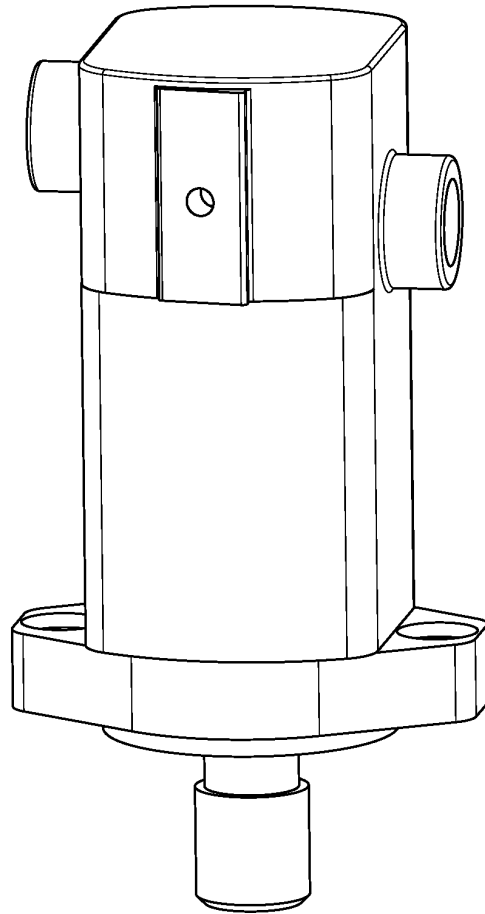
Hitch Components**Applies to AP-SC2560, AP-SC2572**

Ref	Part No.	Part Description	Comments	Revision
	Dwg 39103	Image No.		
1.	326-026K	FLOAT CHAIN ASSEMBLY	AP-SC2560	
1.	326-079K	FLOAT CHAIN ASSEMBLY	AP-SC2572	
2.	326-095S	MANUAL CONTAINER KIT, 1 1/4		
3.	326-341D	FLOAT CHAIN 3/8 PROOF	AP-SC2560	
3.	326-394D	FLOAT CHAIN 3/8 PROOF	AP-SC2572	
4.	326-342D	CHAIN CLEVIS 7/16-1/2MID LINK		
5.	326-370D	CHAIN COVER	AP-SC2560	
5.	326-395D	CHAIN COVER	AP-SC2572	
6.	326-842H	SC25 SERIES HITCH WELDEMENT		
7.	327-206D	HEIGHT ADJ. CHAIN		
8.	802-224C	HHCS 1/4-20X1 1/4 GR5		
9.	803-181C	NUT HEX FLANGE LOCK 3/4-10 PLT		
10.	803-255C	NUT HEX NYLOCK 1/4-20		
11.	804-007C	WASHER FLAT 1/4 SAE PLT		
12.	804-024C	WASHER FLAT 3/4 USS PLT		
13.	805-085C	PIN COTTER 5/16 X 2 1/2		
14.	805-127C	PIN CLVS .50X1.52 USBL		
15.	805-249C	PIN ROLL 3/8 X 2 PLT		
16.	805-363C	PIN COTTER 1/8 X 1		
17.	805-384C	PIN CLVS HDLS 1.0X3.23 USBL		
18.	816-504C	MANUAL STORAGE CONTAINER		
19.	817-387C	PLASTIC END CAP 3X2X3/16 WL TB		
20.	890-931C	QUICK LINK 1/2"		

Hydraulic Motor 4.9 Cubic Inch Eaton (850-090C)

Applies to AP-SC2560, AP-SC2572

NO PARTS AVAILABLE FOR THIS MOTOR AT THIS TIME



39284

Hydraulic Motor 4.9 Cubic Inch Eaton (850-090C)

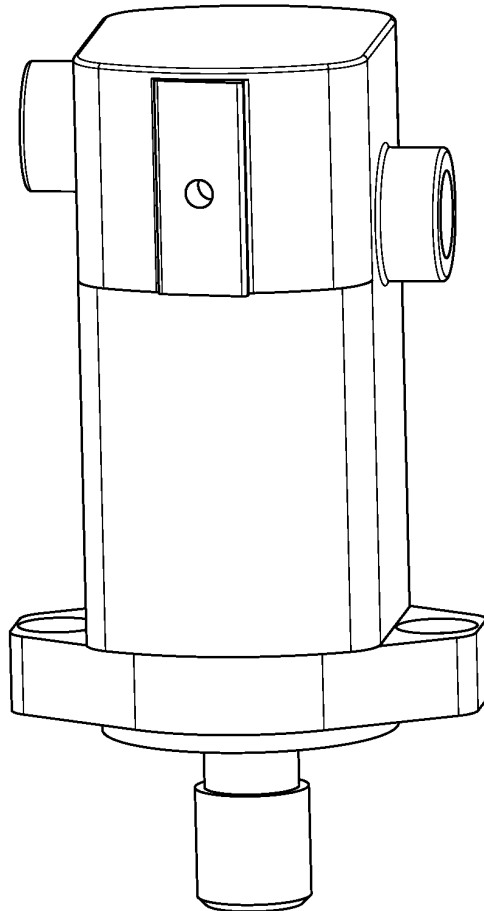
Applies to AP-SC2560, AP-SC2572

No Parts List associated with this diagram

Hydraulic Motor 6.2 Cubic Inch Eaton (850-091C)

Applies to AP-SC2560, AP-SC2572

NO PARTS AVAILABLE FOR THIS MOTOR AT THIS TIME



39285

Hydraulic Motor 6.2 Cubic Inch Eaton (850-091C)

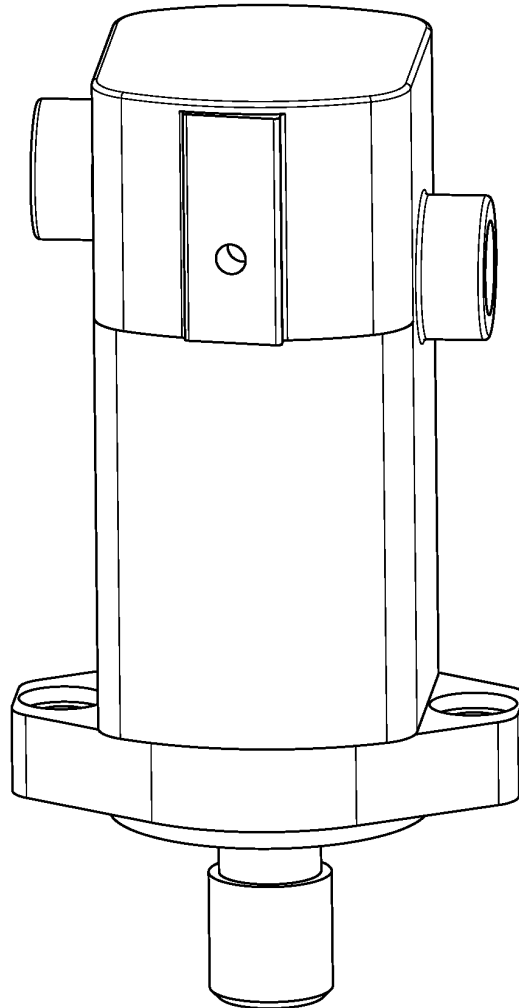
Applies to AP-SC2560, AP-SC2572

No Parts List associated with this diagram

Hydraulic Motor 7.9 Cubic Inch Eaton (850-029C)

Applies to AP-SC2560, AP-SC2572

NO PARTS AVAILABLE FOR THIS MOTOR AT THIS TIME



39270

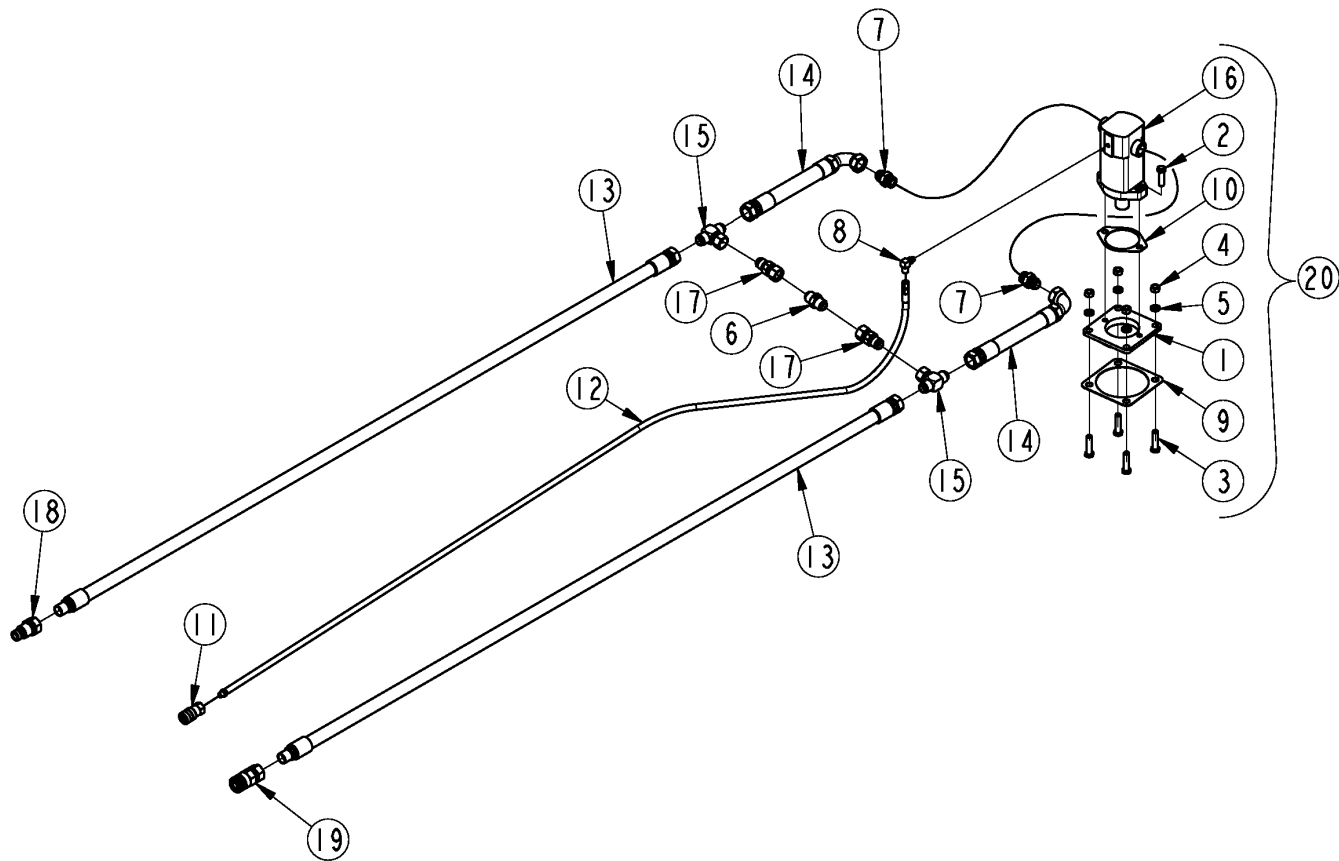
Hydraulic Motor 7.9 Cubic Inch Eaton (850-029C)

Applies to AP-SC2560, AP-SC2572

No Parts List associated with this diagram

Motor & Hose Assembly (Eaton)

Applies to AP-SC2560, AP-SC2572



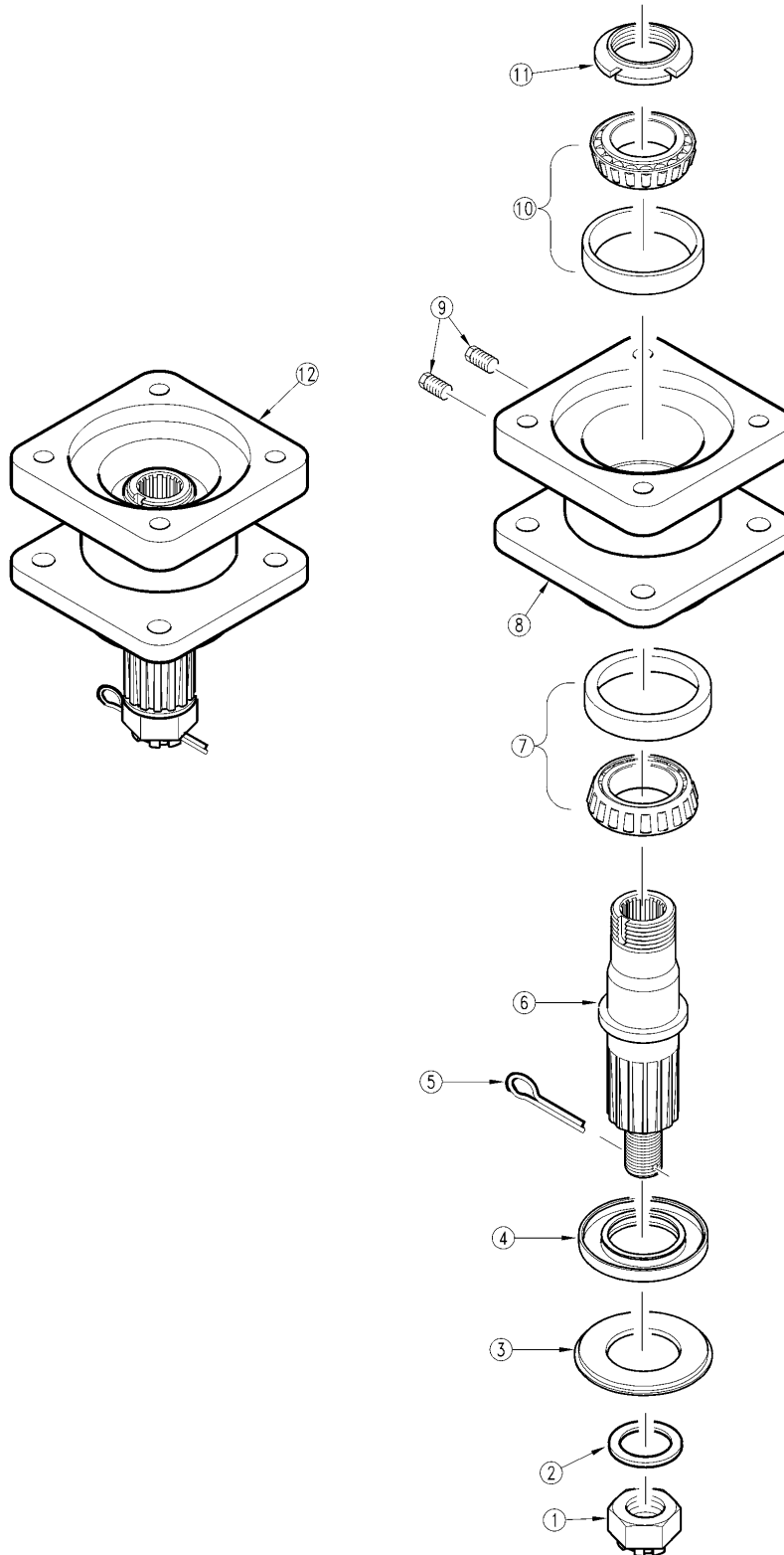
39181

Motor & Hose Assembly (Eaton)**Applies to AP-SC2560, AP-SC2572**

Ref	Part No.	Part Description	Comments	Revision
	Dwg 39181	Image No.		
1.	327-359D	ADAPTOR SAE C 4 BOLT TO SAE A		
2.	802-082C	HHCS 1/2-13X1 3/4 GR5		
3.	802-128C	HHCS 1/2-13X2 GR5		
4.	803-020C	NUT HEX 1/2-13 PLT		
5.	804-015C	WASHER LOCK SPRING 1/2 PLT		
6.	810-715C	VALVE 3/4 IN-LINE CHECK		
7.	811-408C	AD 1 1/16MORB 1 1/16MJIC		
8.	811-719C	EL 90 9/16MJIC 7/16MORB		
9.	816-182C	GASKET - MOTOR		
10.	816-887C	GASKET SAE A 2 BOLT		
11.	841-539C	CP 3/8 FEMALE QD 3/8FNPT		
12.	841-545C	HH3/8R17 096 3/8MNPT9/16FJIC		
13.	841-566C	HH3/4R17 83.5 FJIC MORB		
14.	841-656C	HH3/4R2 13.5 1.06FJIC(1)90		
15.	841-676C	TEE 1.06FJIC 1.06MJIC 1.06MJIC		
16.	850-090C	HYD MOTOR 4.9 CUIN/REV		
16.	850-091C	HYD MOTOR 6.2 CUIN/REV		
16.	850-029C	HYD MOTOR 7.9 CUIN/REV 1.06		
17.	851-683C	AD 1 1/16FJIC 1 1/16MJIC		
18.	851-947C	CUP 1 1/16FORB MALE QUICK CPLR		
18.	811-744C	RPBY 851-947C	Obsolete	
19.	851-948C	CUP 1 1/16FORB FML QUICK CPLR		
19.	811-745C	RPBY 851-948C	Obsolete	
20.	326-820A	HYD MOTOR BUNDLE 11-17 GPM		
20.	326-821A	HYD MOTOR BUNDLE 18-23 GPM		
20.	326-822A	HYD MOTOR BUNDLE 24-30 GPM		

Spindle Hub Assembly (826-110C)

Applies to AP-SC2560



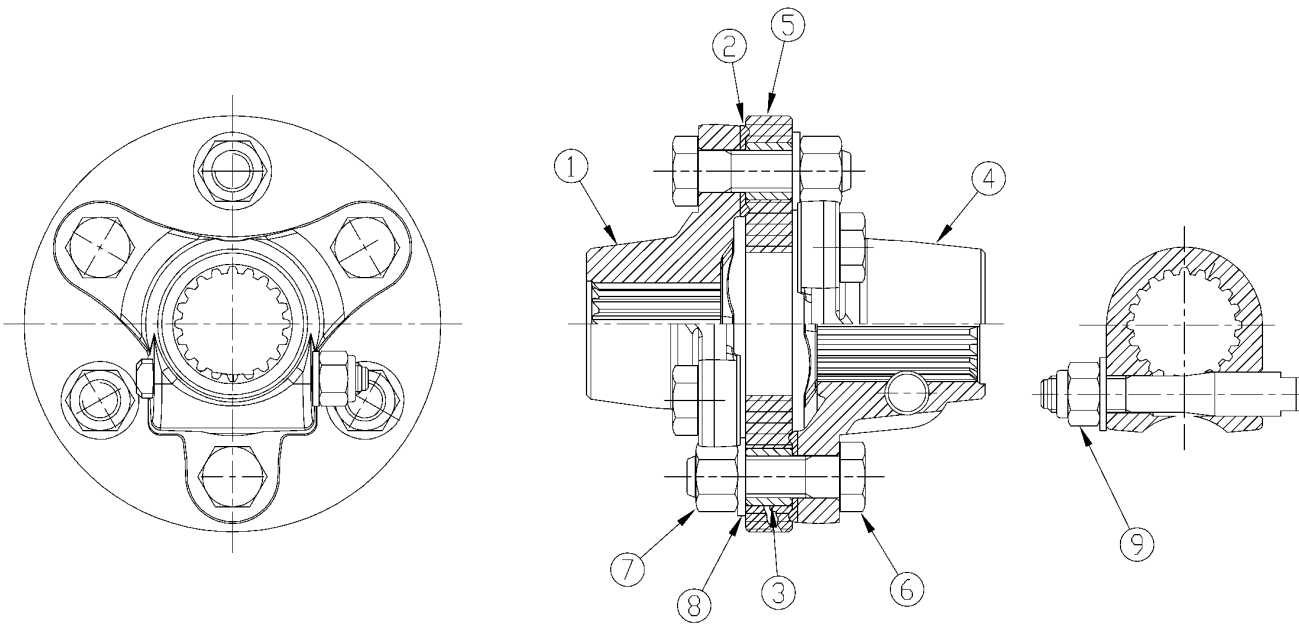
12276

Spindle Hub Assembly (826-110C)**Applies to AP-SC2560**

Ref	Part No.	Part Description	Comments	Revision
	Dwg 12276	Drawing Image Number		
1.	8.2.2.00555	CO NUT, CASTLE M30 X 2		
2.	0.139.7101.00	CO BLANK WASHER		
3.	0.139.7100.00	CO SEAL RETAINER		
4.	8.7.1.01107	CO SEAL		
5.	8.4.7.00146	CO COTTER PIN B6 X 60		
6.	0.772.3000.00	CO SPLINE SHAFT		
7.	8.0.9.00469	CO BEARING 30210		
8.	0.772.1303.00	CO SPINDLE HOUSING		
9.	8.6.5.00006	CO OIL PLUG 3/8		
10.	8.0.9.00143	CO BEARING 30209 RTA25		
11.	0.278.7104.00	CO NUT LOCK M45 X 1.5		
11.	0.278.7104.00	CO NUT LOCK M45 X 1.5		
12.	826-110C	SPINDLE HUB ASSY	Beige	

Flex Coupler (826-548C)

Applies to AP-SC2572



25691

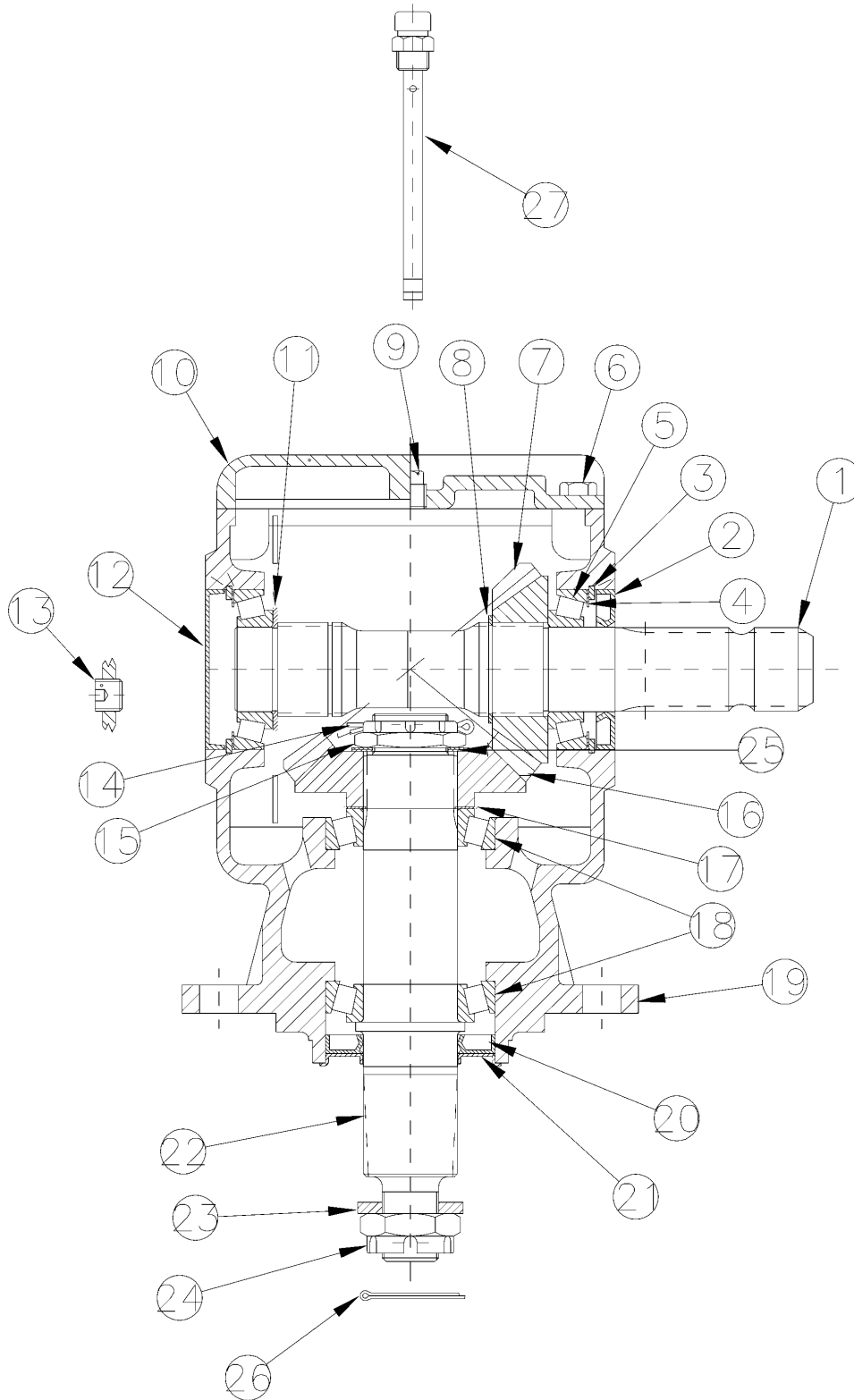
Flex Coupler (826-548C)

Applies to AP-SC2572

Ref	Part No.	Part Description	Comments	Revision
	Dwg 25691	Drawing Image Number		
	826-548C	FLEX-COUPLER 1.75 20 X 12-24 *		
1.	PE-0611131	EC CONNECTION HUB 12-24		
2.	1235287	EC WSH. BD. 35mmO.D/16.5mmI.D		
3.	1535275	EC BOLT BUSHING		
4.	1705267	EC CONNECTION HUB		
5.	1785273	EC RUBBER DISC		
6.	6141660	EC BOLT		
7.	6410716	EC NUT		
8.	6412016	EC WASHER 29.8mmO.D/17.2mmI.D		
9.	6821484	CONICAL DOG KIT		

Gearbox (826-380C) Comer

Applies to AP-SC2572



22264

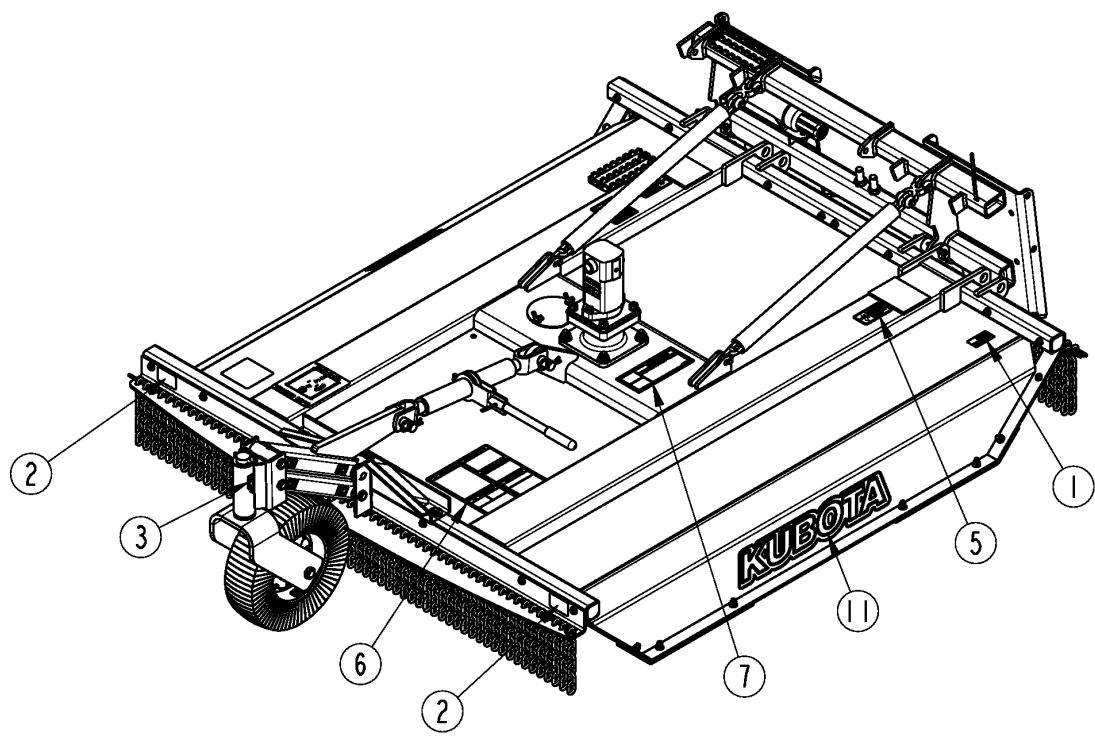
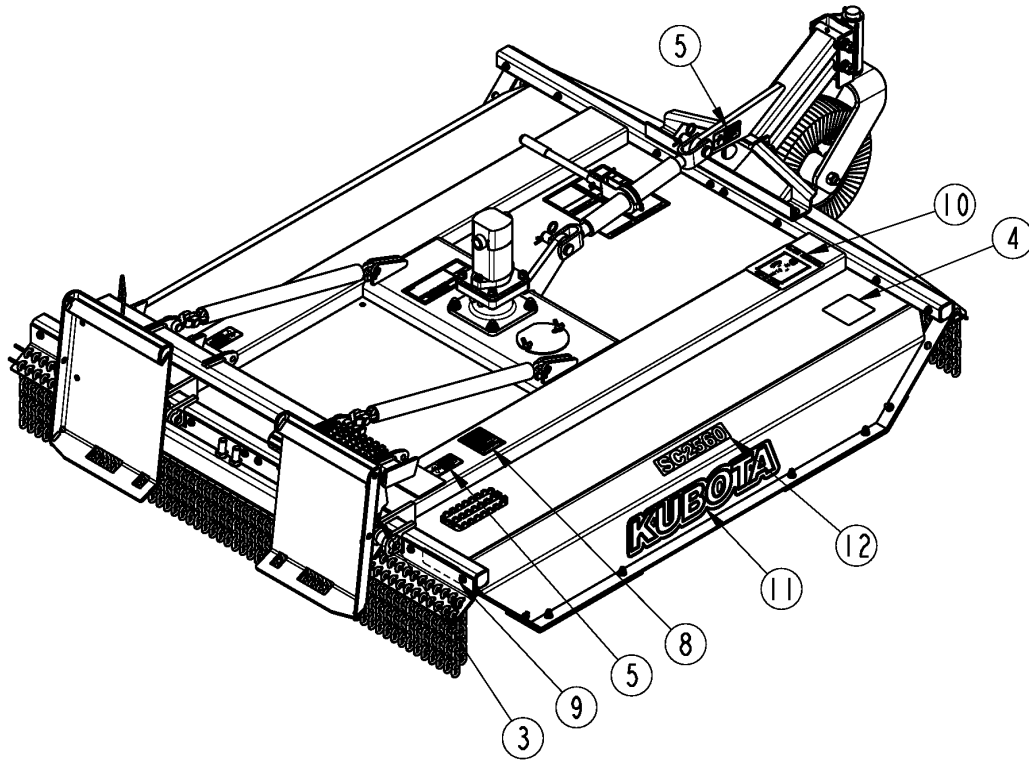
Gearbox (826-380C) Comer**Applies to AP-SC2572**

Ref	Part No.	Part Description	Comments	Revision
	Dwg 22264 826-380C	Drawing Image Number GEARBOX COMER *		
1.	0.210.2001.00	CO INPUT SHAFT 1.75-20		
2.	8.7.3.00331	CO OIL SEAL 45 X 85 X 10		
3.	8.5.2.00332	CO SNAP RING UNI 7437		
4.	0.709.7500.00	CO SHIM 84.7		
5.	8.0.9.00143	CO BEARING 30209 RTA25		
6.	8.1.1.00501	CO BOLT M8X22 HHB		
7.	0.210.5000.00	CO PINION Z18 M6		
8.	8.5.1.00533	CO SNAP RING 50 UNI7435		
9.	8.6.5.00006	CO OIL PLUG 3/8		
10.	0.210.1300.00	CO COVER		
11.	0.252.7525.00	CO SHIM 45.3X2.5		
12.	0.121.7101.00	CO CAP		
13.	8.6.6.00201	CO PLUG 3/8 GAS		
14.	8.4.7.02265	CO COTTER PIN B 5X60		
15.	0.132.7107.00	CO NUT M40X1.5		
16.	0.210.6000.00	CO GEAR CROWN Z22 M6		
17.	0.712.7500.00	CO SHIM 50.3X70.3		
18.	04-011	ITG BEARING ASSEMBLY		
18.	8.0.9.00469	REP BY 04-011		
19.	0.210.0300.00	CO CASTING & MACHINE		
20.	8.7.1.01107	CO SEAL (50x90x10)		
21.	0.139.7100.00	CO SEAL RETAINER		
22.	0.210.3000.00	CO OUTPUT SHAFT		
23.	0.139.7101.00	CO BLANK WASHER		
24.	8.2.2.00555	CO NUT, CASTLE M30 X 2		
25.	0.285.7510.00	CO SHIM 40.3 X 61.7 X 1		
26.	8.4.7.00146	CO COTTER PIN B6 X 60		
27.	0.210.7100.00	CO 3/8 GAS OIL VENT LEVEL PG. *		

Notes: Oil Type 80-90W Capacity 6 Pints

Decals SC2560

Applies to AP-SC2560



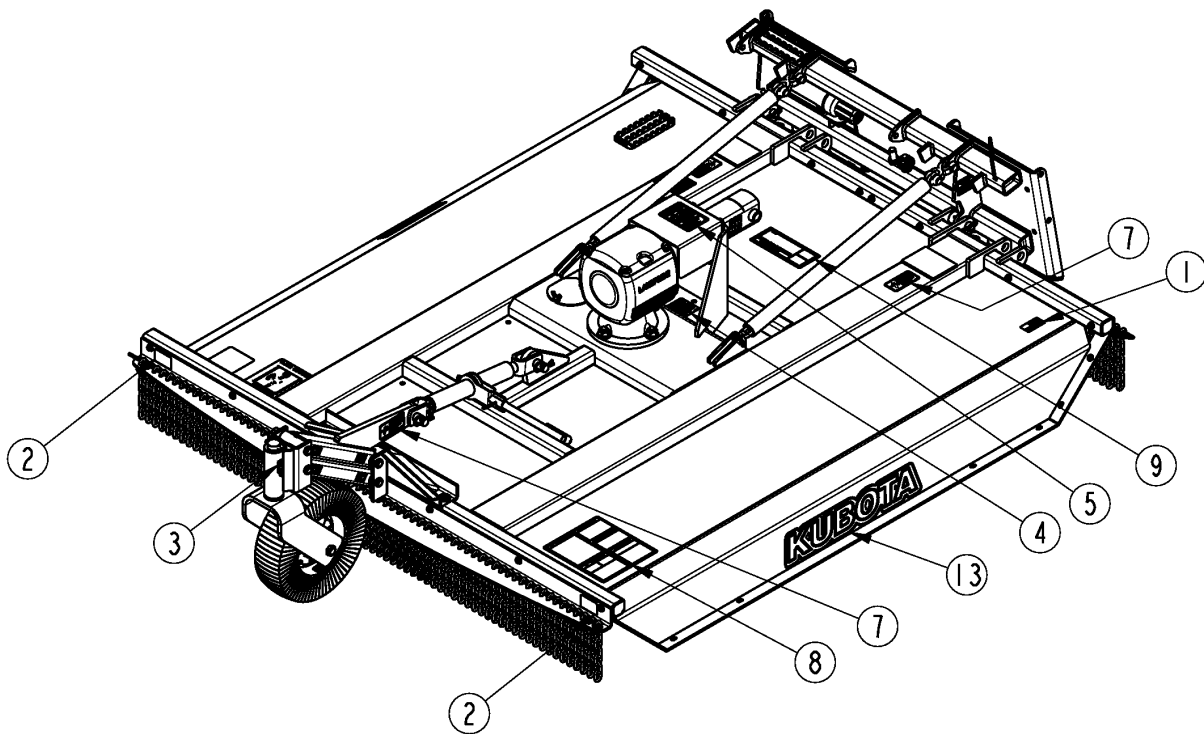
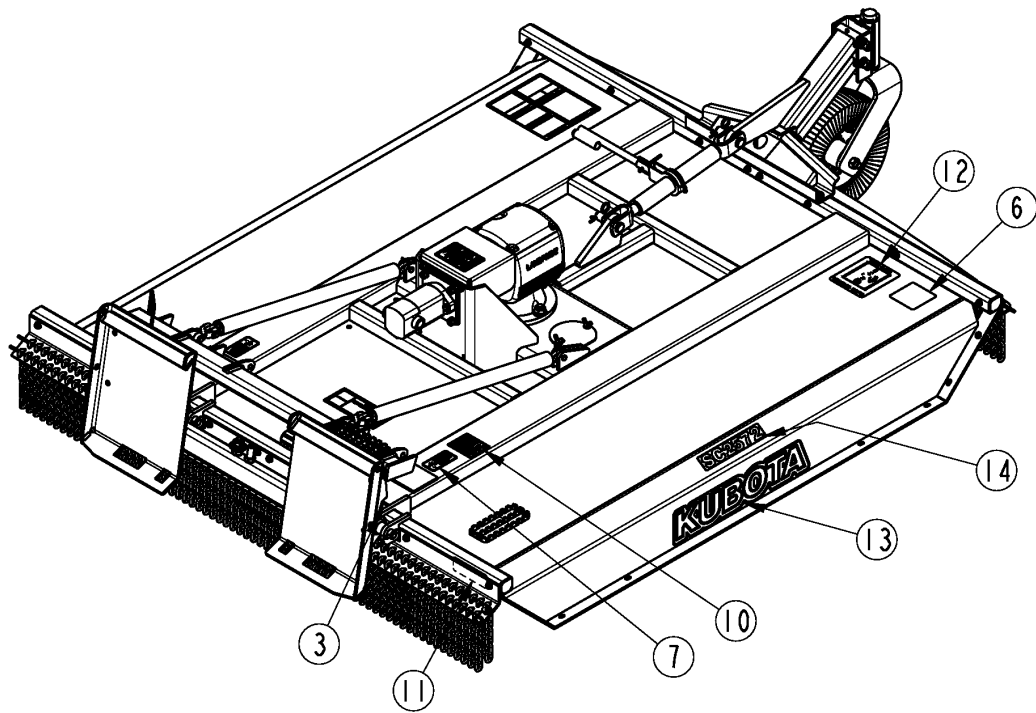
39183

Decals SC2560**Applies to AP-SC2560**

Ref	Part No.	Part Description	Comments	Revision
	Dwg 39183	Image No.		
1.	818-190C	DECAL FLAG		
2.	818-229C	DECAL AMBER REFLECTOR		
3.	818-298C	DECAL GREASE 25HRS BLACK/WHITE		
4.	818-555C	DECAL DANGER ROTATE BLADE		
5.	818-798C	DECAL WARNING PINCH POINT GEN		
6.	818-830C	DECAL SAFETY COMBO SUNWEST		
7.	818-831C	DECAL WARNING HIGH PRESSURE		
8.	838-948C	DECAL DO NOT OPERATE		
9.	848-088C	DECAL DANGER GUARD MISSING		
10.	848-416C	DECAL SC BLADE ROTATION		
11.	858-400C	DECAL KUBOTA 22"		
12.	858-542C	DECAL SC2560 WHITE		

Decals SC2572

Applies to AP-SC2572



39184

Decals SC2572**Applies to AP-SC2572**

Ref	Part No.	Part Description	Comments	Revision
	Dwg 39184	Image No.		
1.	818-190C	DECAL FLAG		
2.	818-229C	DECAL AMBER REFLECTOR		
3.	818-298C	DECAL GREASE 25HRS BLACK/WHITE		
4.	818-543C	DECAL DANGER PD GUARD MISS SML		
5.	818-552C	DECAL DANGER PTO DRIVELINE		
6.	818-555C	DECAL DANGER ROTATE BLADE		
7.	818-798C	DECAL WARNING PINCH POINT GEN		
8.	818-830C	DECAL SAFETY COMBO SUNWEST		
9.	818-831C	DECAL WARNING HIGH PRESSURE		
10.	838-948C	DECAL DO NOT OPERATE		
11.	848-088C	DECAL DANGER GUARD MISSING		
12.	848-416C	DECAL SC BLADE ROTATION		
13.	858-400C	DECAL KUBOTA 22"		
14.	858-543C	DECAL SC2572 WHITE		

Kubota Touch-up Paints

Applies to AP-SC2560, AP-SC2572

No diagram associated with this Parts List

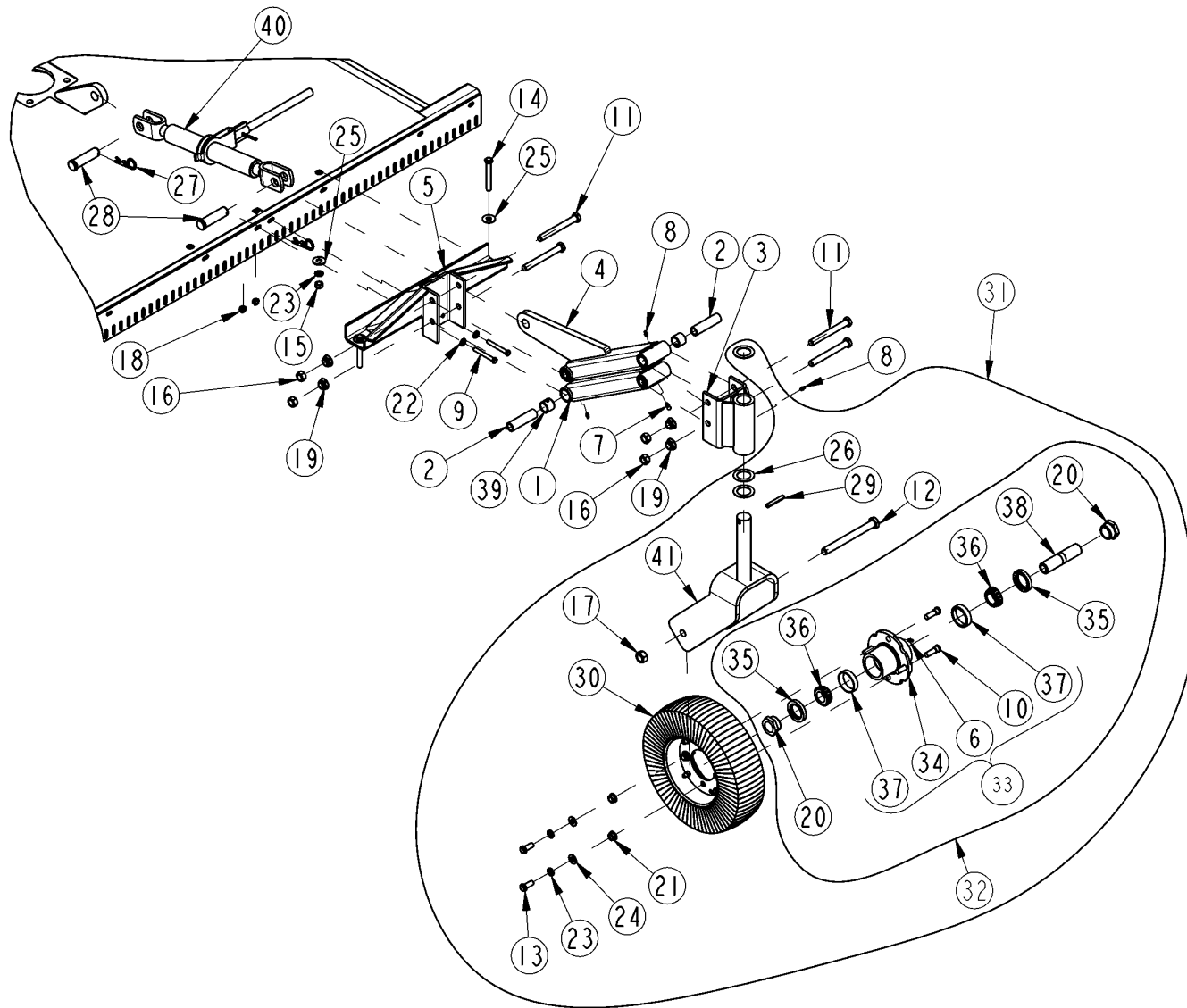
Kubota Touch-up Paints

Applies to AP-SC2560, AP-SC2572

Ref	Part No.	Part Description	Comments	Revision
1.	821-070C	GLOSS BLACK SPRAY CAN	All Products	
2.	821-070CTU	GLOSS BLACK TOUCH-UP 5OZ		
3.	821-070CQT	GLOSS BLACK QUART		
4.	821-070CGL	GLOSS BLACK GALLON		

Gauge Wheel S/N 1002069K-

Applies to AP-SC2560, AP-SC2572



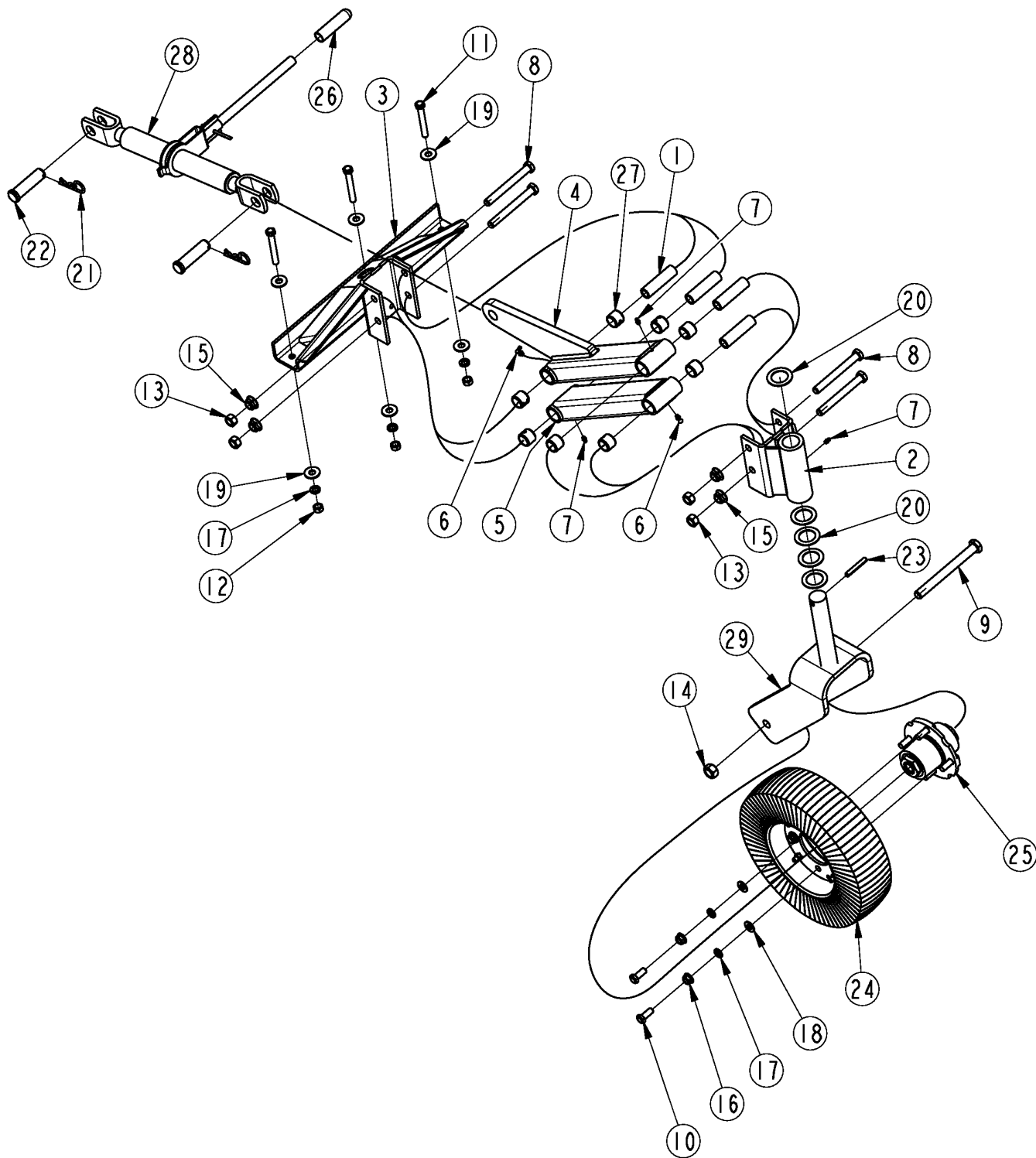
35425

Gauge Wheel S/N 1002069K-**Applies to AP-SC2560, AP-SC2572**

Ref	Part No.	Part Description	Comments	Revision
	Dwg 35425 326-004A	Drawing Image Number GAUGE WHEEL ASSEMBLY *		
1.	321-003H85	LOWER PARALLEL ARM WLDMNT		
2.	321-011D	PIVOT BUSHING		
3.	326-005H	GAUGE WHEEL YOKE MOUNT		
4.	326-006H	UPPER ARM WELDMENT		
5.	326-637H	GAUGE WHEEL MOUNT		
6.	800-001C	GREASE ZERK STRAIGHT 1/4-28		
7.	800-073C	GREASE ZERK 1/4-28 X 90-DEG		
8.	800-080C	GREASE ZERK 1/4-28 THD FORMING		
9.	802-024C	HHCS 3/8-16X3 GR5		
10.	802-135C	HUB STUD 1/2-20X1 5/8 GR5		
11.	802-254C	HHCS 5/8-11X5 1/2 GR5		
12.	802-280C	HHCS 3/4-10X7 1/2 GR5		
13.	802-326C	HHCS 1/2-20X1 1/4 GR5		
14.	802-853C	HHCS 1/2-13X3 3/4 GR8		
15.	803-020C	NUT HEX 1/2-13 PLT		
16.	803-021C	NUT HEX 5/8-11 PLT		
17.	803-026C	NUT LOCK 3/4-10 PLT		
18.	803-198C	NUT HEX WHIZ 3/8-16 PLT		
19.	803-263C	NUT HEX FLANGE LOCK 5/8-11 PLT		
20.	803-289C	NUT HEX 1 1/4-7(MACHINED)PLAIN		
21.	803-308C	NUT HEX FLG/LK 1/2-20 PLT GR G		
22.	804-012C	WASHER FLAT 3/8 SAE PLT		
23.	804-015C	WASHER LOCK SPRING 1/2 PLT		
24.	804-016C	WASHER FLAT 1/2 SAE PLT		
25.	804-017C	WASHER FLAT 1/2 USS PLT		
26.	804-066C	WASHER MACH 2.25 X 1.50 X 14GA		
27.	805-088C	PIN, HAIR COTTER 3/16 WIRE DIA		
28.	805-090C	PIN CLVS 1.0X3.20 USBL		
29.	805-255C	PIN ROLL 3/8 X 2 1/2 PLT		
30.	814-058C	TIRE & WHEEL LAMINATED 4.0 X 8		
31.	814-161C	LAM 4X8 TR-WL-HUB-YOKE 25 SER.		
32.	815-092C	HUB & SPINDLE ASSY 4 BOLT		
33.	815-230C	HUB 4 BLT W/CUPS, ZERK & STUDS		
34.	N/A	HUB 4BLT DUCTILE(USE 815-230C)		
35.	816-286C	OIL SEAL DBL LIP 2.441 BORE		
36.	822-091C	BRG 1.25ID CONE 15123		
37.	822-092C	BRG CUP 2.44OD 15245		
38.	827-036C	BUSHING TW 1.25ODX.78IDX5 1/4		
39.	890-005C	BUSHING CYL 1 1/4 X 1 X 1		
40.	890-177C	RATCHET JACK - HEAVY DUT		
41.	890-961C	RC25 TAILWHEEL YOKE, 1.5 SHAFT		
41.	890-961C	RC25 TAILWHEEL YOKE, 1.5 SHAFT		

Gauge Wheel S/N 1002070K+

Applies to AP-SC2560, AP-SC2572



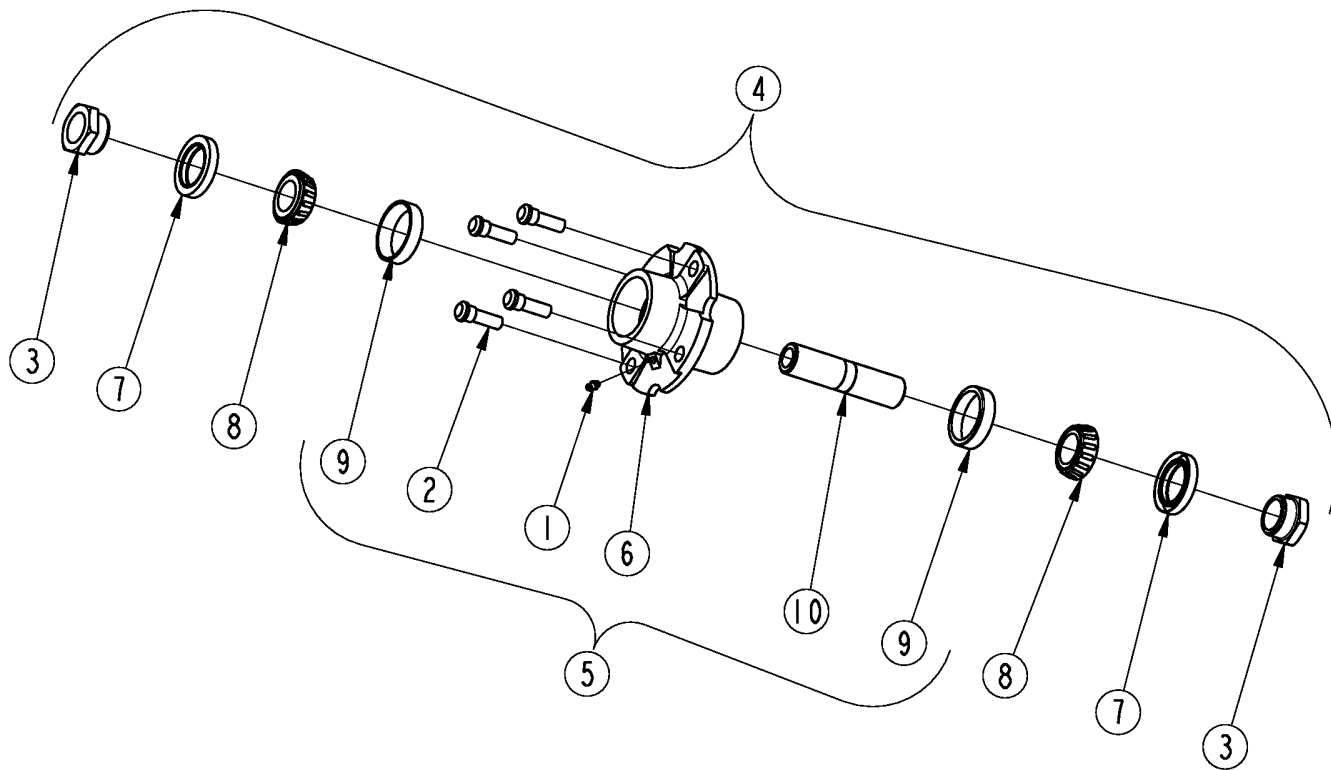
39951

Gauge Wheel S/N 1002070K+**Applies to AP-SC2560, AP-SC2572**

Ref	Part No.	Part Description	Comments	Revision
	Dwg 39951 326-858A	Image No. GAUGE WHEEL FRONT *		
1.	321-011D	PIVOT BUSHING		
2.	326-005H	GAUGE WHEEL YOKE MOUNT		
3.	326-637H	GUAGE WHEEL MOUNT		
4.	326-856H	UPPER ARM		
5.	326-857H	LOWER ARM		
6.	800-073C	GREASE ZERK 1/4-28 X 90-DEG		
7.	800-080C	GREASE ZERK 1/4-28 THD FORMING		
8.	802-254C	HHCS 5/8-11X5 1/2 GR5		
9.	802-280C	HHCS 3/4-10X7 1/2 GR5		
10.	802-326C	HHCS 1/2-20X1 1/4 GR5		
11.	802-853C	HHCS 1/2-13X3 3/4 GR8		
12.	803-020C	NUT HEX 1/2-13 PLT		
13.	803-021C	NUT HEX 5/8-11 PLT		
14.	803-026C	NUT LOCK 3/4-10 PLT		
15.	803-263C	NUT HEX FLANGE LOCK 5/8-11 PLT		
16.	803-308C	NUT HEX FLG/LK 1/2-20 PLT GR G		
17.	804-015C	WASHER LOCK SPRING 1/2 PLT		
18.	804-016C	WASHER FLAT 1/2 SAE PLT		
19.	804-017C	WASHER FLAT 1/2 USS PLT		
20.	804-066C	WASHER MACH 2.25 X 1.50 X 14GA		
21.	805-088C	PIN, HAIR COTTER 3/16 WIRE DIA		
22.	805-090C	PIN CLVS 1.0X3.20 USBL		
23.	805-255C	PIN ROLL 3/8 X 2 1/2 PLT		
24.	814-058C	TIRE & WHEEL LAMINATED 4.0 X 8		
25.	815-092C	HUB & SPINDLE ASSY 4 BOLT		
26.	817-246C	GRIP HANDLE .84 ID X 4 LG		
27.	890-005C	BUSHING CYL 1 1/4 X 1 X 1		
28.	890-177C	RATCHET JACK - HEAVY DUT	Includes items 21 & 22	
29.	890-961C	RC25 TAILWHEEL YOKE, 1.5 SHAFT		

Hub Assembly 4-Bolt W/ Zerk & Studs (815-092C)

Applies to AP-SC2560, AP-SC2572



37435

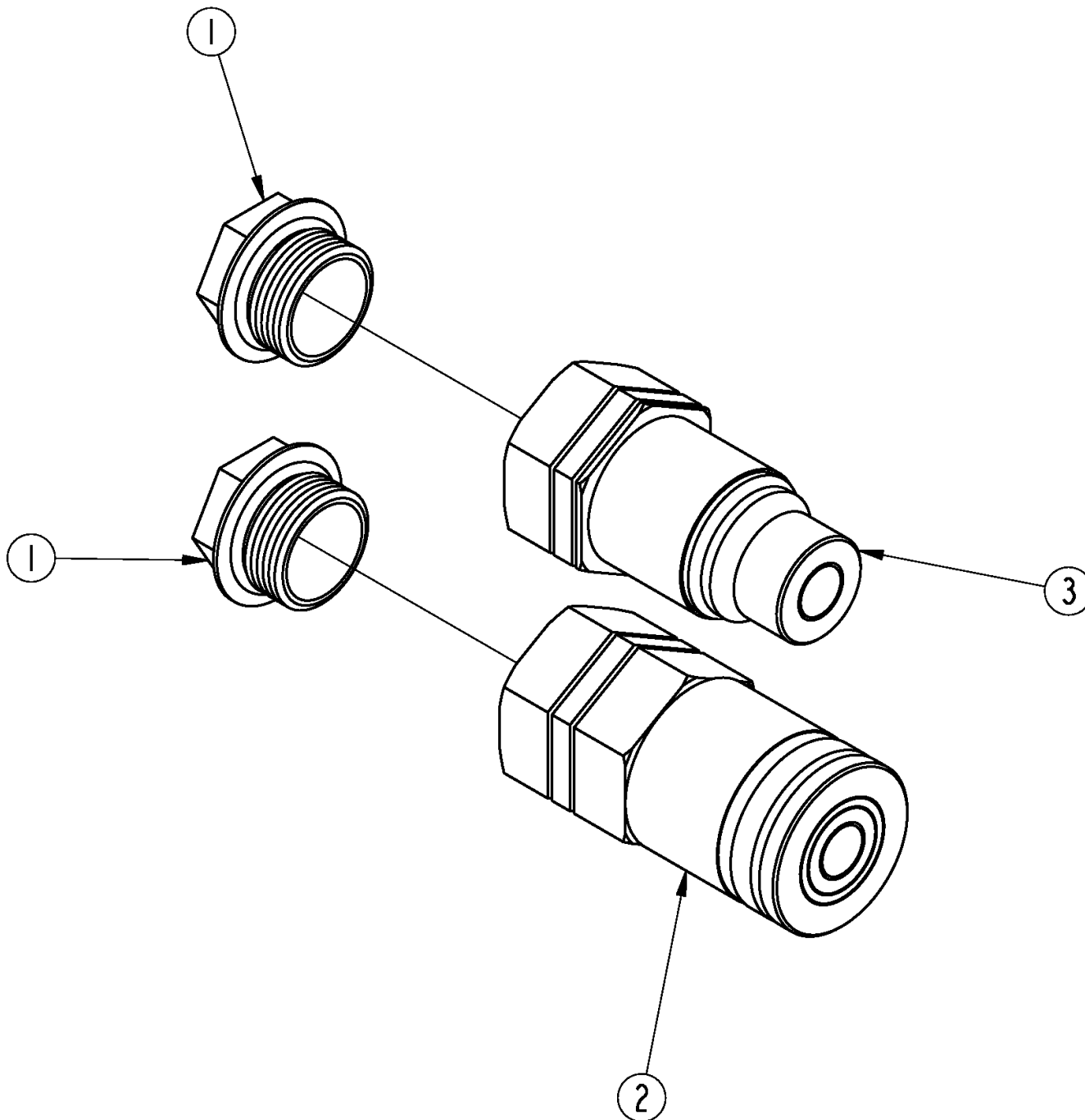
Hub Assembly 4-Bolt W/ Zerk & Studs (815-092C)

Applies to AP-SC2560, AP-SC2572

Ref	Part No.	Part Description	Comments	Revision
	Dwg 37435	Image No.		
1.	800-001C	GREASE ZERK STRAIGHT 1/4-28		
2.	802-135C	HUB STUD 1/2-20X1 5/8 GR5		
3.	803-289C	NUT HEX 1 1/4-7(MACHINED)PLAIN		
4.	815-092C	HUB & SPINDLE ASSY 4 BOLT		
5.	815-230C	HUB 4 BLT W/CUPS, ZERK & STUDS		
6.	815-231C	HUB 4BLT DUCTILE(USE 815-230C)		
7.	816-286C	OIL SEAL DBL LIP 2.441 BORE		
8.	822-091C	BRG 1.25ID CONE 15123		
9.	822-092C	BRG CUP 2.44OD 15245		
10.	827-036C	BUSHING TW 1.25ODX.78IDX5 1/4		

Large Flat Faced Couplers With Adapters Bundle

Applies to AP-SC2560, AP-SC2572



70167

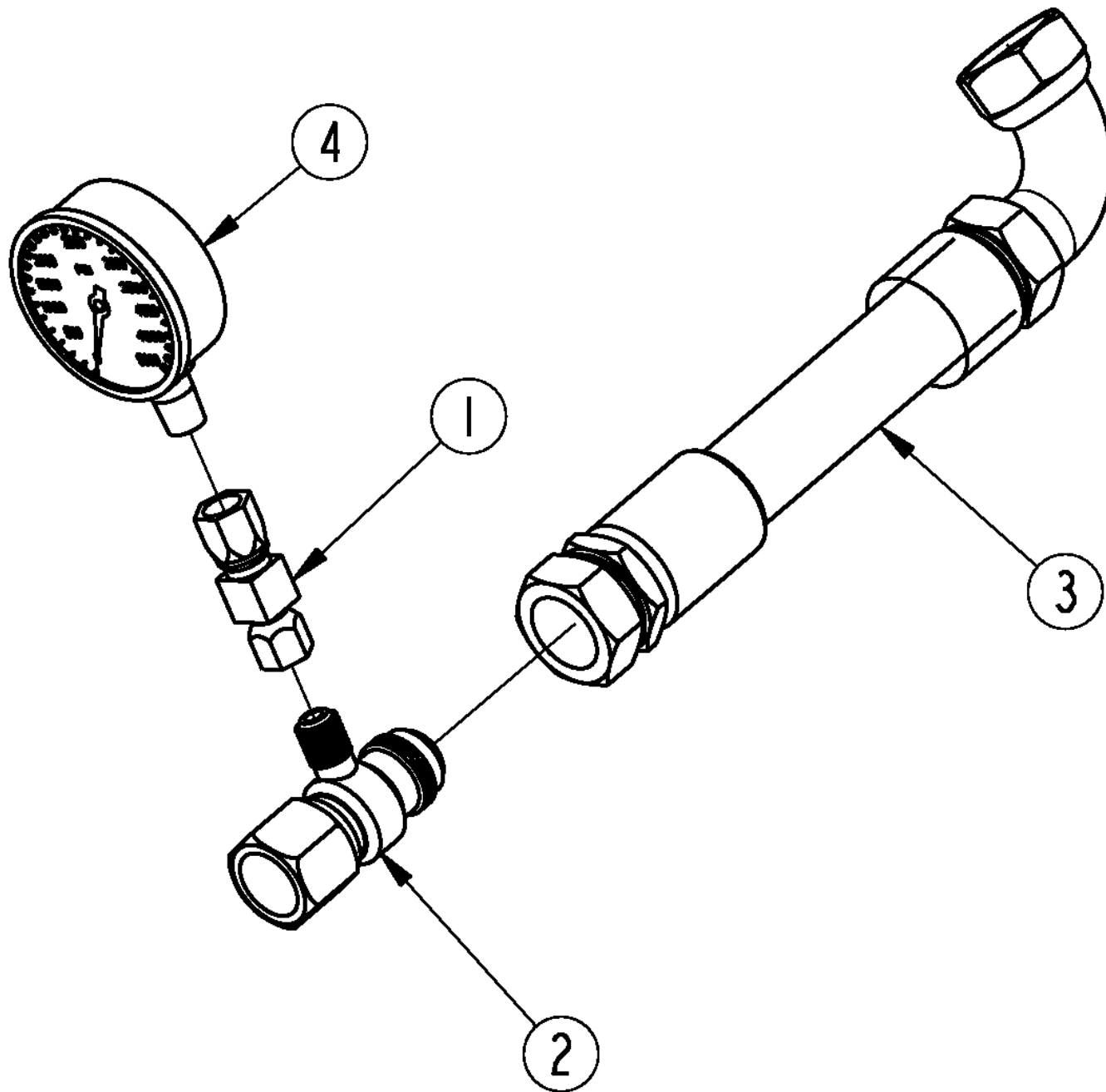
Large Flat Faced Couplers With Adapters Bundle

Applies to AP-SC2560, AP-SC2572

Ref	Part No.	Part Description	Comments	Revision
	Dwg 70167 326-960A	Image No. LG FLAT FACED CPLRS W/ADAPTERS *		
1.	811-570C	AD 1 5/16MORB 1 1/16FORB		
2.	841-957C	CP 1 5/16FORB FEMALE QD		
3.	841-958C	CP 1 5/16FORB MALE QD		

Motor Pressure Gauge

Applies to AP-SC2560, AP-SC2572



39185

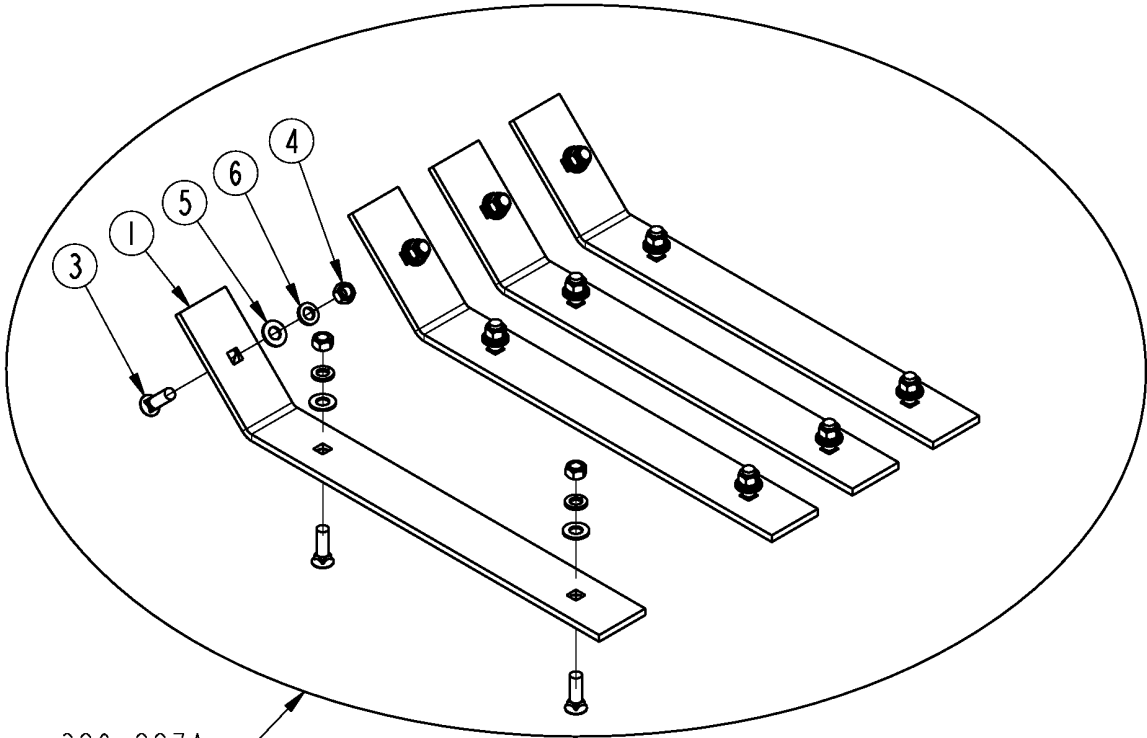
Motor Pressure Gauge

Applies to AP-SC2560, AP-SC2572

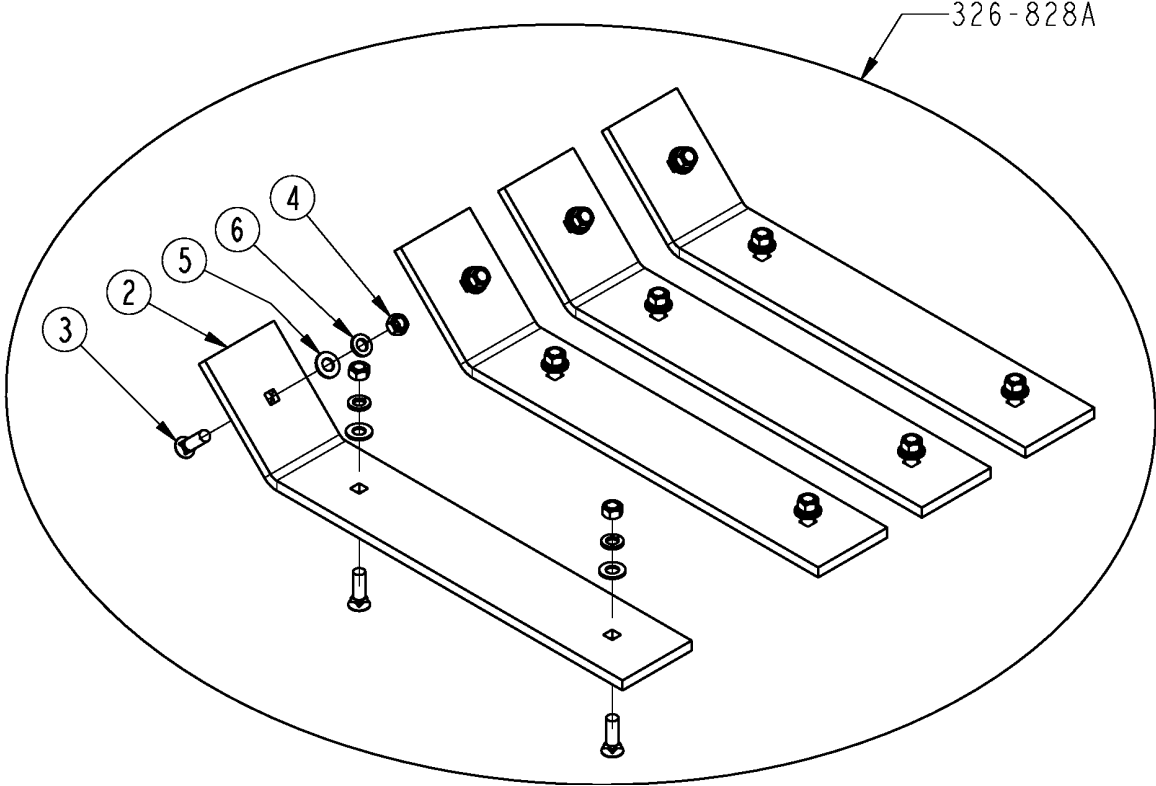
Ref	Part No.	Part Description	Comments	Revision
	Dwg 39185 326-832K	Image No. MOTOR PRESSURE KIT *		
1.	811-582C	AD 9/16FJIC 1/4FNPT		
2.	811-624C	TE1 1/16MJIC 1 1/16FJIC 9/16MJ		
3.	841-648C	HH3/4R2 10.93 1.06FJIC1SWPT90		
4.	851-685C	PRESSURE GUAGE 0-5000 PSI		

Skid Shoe Options

Applies to AP-SC2560, AP-SC2572



326-827A



326-828A

39273

Skid Shoe Options

Applies to AP-SC2560, AP-SC2572

Ref	Part No.	Part Description	Comments	Revision
	Dwg 39273	Image No.		
	326-827A	SKID SHOE BUNDLE		
	326-828A	SKID SHOE HEAVY BUNDLE		
		*		
1.	312-602D	SKID SHOE		
2.	326-343D	SKID SHOE HEAVY		
3.	802-466C	PLOW 3/8-16X1 1/4 GR5		
4.	803-013C	NUT LOCK 3/8-16 PLT		
5.	804-012C	WASHER FLAT 3/8 SAE PLT		
6.	804-013C	WASHER LOCK SPRING 3/8 PLT		



Part Number Index

The Part Number Index is a numeric index of all part numbers included in this manual. The index shows what page(s) the part is used on.

Part Number	Page	Part Number	Page	Part Number	Page	Part Number	Page
0.121.7101.00	35	327-359D	29	811-570C	49	Dwg 37887	15
0.132.7107.00	35	327-525D	17	811-582C	51	Dwg 37888	19
0.139.7100.00	31, 35	327-527D	17	811-624C	51	Dwg 37913	7
0.139.7101.00	7, 9, 31, 35	6141660	33	811-719C	29	Dwg 37914	9
0.210.0300.00	35	6410716	33	811-744C	29	Dwg 39103	21
0.210.1300.00	35	6412016	33	811-745C	29	Dwg 39181	29
0.210.2001.00	35	6821484	33	814-058C	43, 45	Dwg 39183	37
0.210.3000.00	35	8.0.9.00143	31, 35	814-161C	43	Dwg 39184	39
0.210.5000.00	35	8.0.9.00469	31, 35	815-092C	43, 45, 47	Dwg 39185	51
0.210.6000.00	35	8.1.1.00501	35	815-230C	43, 47	Dwg 39273	53
0.210.7100.00	35	8.2.2.00555	7, 9, 31, 35	815-231C	47	Dwg 39625	13
0.252.7525.00	35	8.4.7.00146	7, 9, 31, 35	816-182C	29	Dwg 39951	45
0.278.7104.00	31	8.4.7.02265	35	816-286C	43, 47	Dwg 39954	17
0.285.7510.00	35	8.5.1.00533	35	816-504C	21	Dwg 70167	49
0.709.7500.00	35	8.5.2.00332	35	816-887C	29	N/A	43
0.712.7500.00	35	8.6.5.00006	31, 35	817-246C	45	PE-0611131	33
0.772.1303.00	31	8.6.6.00201	35	817-387C	21		
0.772.3000.00	31	8.7.1.01107	31, 35	818-190C	37, 39		
04-011	35	8.7.3.00331	35	818-229C	37, 39		
1235287	33	800-001C	43, 47	818-298C	37, 39		
1535275	33	800-073C	43, 45	818-543C	39		
1705267	33	800-080C	43, 45	818-552C	39		
1785273	33	802-007C	9	818-555C	37, 39		
312-602D	53	802-024C	15, 19, 43	818-798C	37, 39		
312-647D	11, 13	802-064C	9	818-830C	37, 39		
316-124H	7	802-082C	29	818-831C	37, 39		
318-586A	7, 9	802-128C	29	820-112C	7		
321-003H85	43	802-135C	43, 47	820-249C	9		
321-011D	43, 45	802-224C	21	821-070C	41		
326-004A	43	802-254C	43, 45	821-070CGL	41		
326-005H	43, 45	802-277C	7, 9	821-070CQT	41		
326-006H	43	802-280C	43, 45	821-070CTU	41		
326-007K	19	802-326C	43, 45	822-091C	43, 47		
326-008K	15	802-466C	53	822-092C	43, 47		
326-026K	21	802-657C	7	826-110C	7, 31		
326-077K	15	802-853C	43, 45	826-380C	9, 35		
326-078K	19	803-013C	53	826-548C	9, 33		
326-079K	21	803-020C	29, 43, 45	827-036C	43, 47		
326-095S	21	803-021C	43, 45	838-948C	37, 39		
326-096H	9	803-026C	43, 45	841-539C	29		
326-255D	19	803-170C	7, 9	841-545C	29		
326-256D	15	803-181C	21	841-566C	29		
326-283D	15, 17, 19	803-198C	15, 19, 43	841-648C	51		
326-341D	21	803-231C	11, 13	841-656C	29		
326-342D	21	803-255C	21	841-676C	29		
326-343D	53	803-263C	7, 43, 45	841-957C	49		
326-370D	21	803-289C	43, 47	841-958C	49		
326-391D	15	803-299C	9	848-088C	37, 39		
326-392D	15, 17, 19	803-308C	43, 45	848-416C	37, 39		
326-393D	19	804-007C	21	850-029C	29		
326-394D	21	804-009C	9	850-090C	29		
326-395D	21	804-012C	11, 13, 15, 19,	850-091C	29		
326-637H	43, 45		43, 53	851-683C	29		
326-820A	29	804-013C	11, 13, 53	851-685C	51		
326-821A	29	804-015C	29, 43, 45	851-947C	29		
326-822A	29	804-016C	43, 45	851-948C	29		
326-823H	11	804-017C	43, 45	858-400C	37, 39		
326-827A	53	804-024C	21	858-542C	37		
326-828A	53	804-066C	43, 45	858-543C	39		
326-831H	13	804-147C	7, 9	890-005C	43, 45		
326-832K	51	805-085C	21	890-177C	43, 45		
326-842H	21	805-088C	43, 45	890-393C	15, 17, 19		
326-855K	17	805-090C	43, 45	890-931C	21		
326-856H	45	805-127C	21	890-961C	43, 45		
326-857H	45	805-249C	21	Dwg 12276	31		
326-858A	45	805-255C	43, 45	Dwg 22264	35		
326-859K	17	805-363C	21	Dwg 25691	33		
326-960A	49	805-384C	21	Dwg 35425	43		
327-144H	9	810-715C	29	Dwg 37435	47		
327-206D	21	811-408C	29	Dwg 37886	11		

This Page Intentionally Left Blank



KUBOTA TRACTOR CORPORATION

1000 Kubota Drive, Grapevine, TX 76051

Telephone: (817) 756-1171

Western Division: 1175 S. Guild Ave., Lodi, CA 95240
Telephone: (209) 334-9910

Central Division: 14855 FAA Blvd., Fort Worth, TX 76155
Telephone: (817) 571-0900

Northern Division: 6300 at One Kubota Way, Groveport, OH 43125
Telephone: (614) 835-1100

Southeast Division: 1025 Northbrook Parkway, Suwanee, GA 30024
Telephone: (770) 995-8855

www.kubota.com
