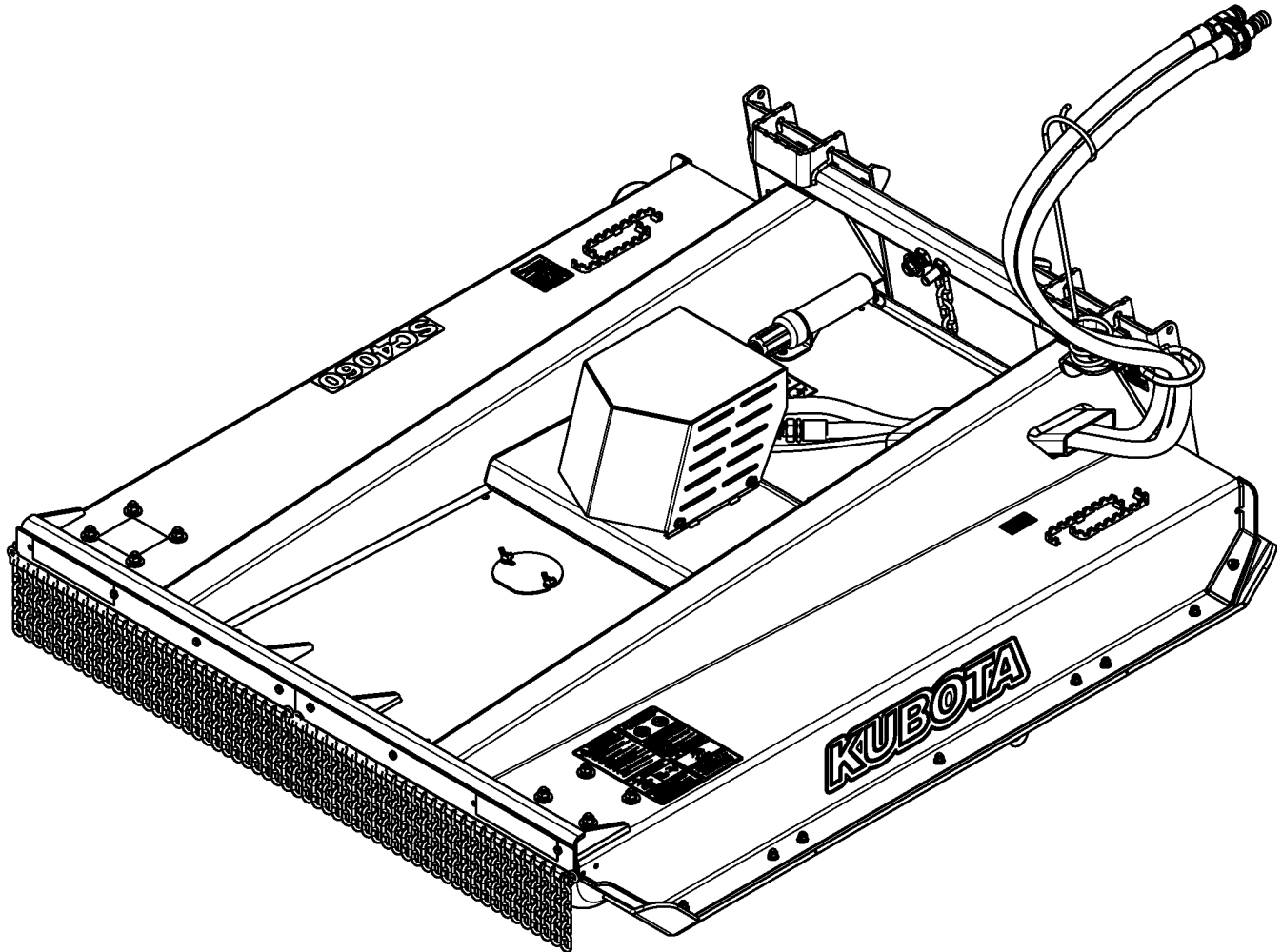


Skid Steer Rotary Cutters

AP-SC4060 & AP-SC4072



70009

326-765PK
Parts Manual

Kubota®



Read the Operator's Manual entirely. When you see this symbol, the subsequent instructions and warnings are serious - follow without exception. Your life and the lives of others depend on it!

© Copyright 2019 Printed 07/24/19

Cover photo may show optional equipment not supplied with standard unit.



Table of Contents

Section 1: Introduction.....	4
Using This Manual.....	4
Manual Replacement Information.....	4
Manual Revisions.....	4
Touch-up Paint.....	4
Hardware Legend.....	5
Replacement Hardware.....	5
Serial Numbers.....	5
Part Number Service Coding.....	5
Section 2: Skid Cutter Assembly.....	6
Blade Drive.....	6
Deck & Components.....	8
Gearbox Inline 1:1 SAE B 14T (826-844C) ABNG.....	10
Guard Chain Front.....	12
Guard Chain Rear S/N 1002194K-.....	14
Guard Chain Rear S/N 1002195K+.....	16
Manual Tube.....	18
Section 3: Hydraulics.....	20
Hydraulic Motor Eaton (850-138C) 15-26 GPM.....	20
Hydraulic Motor Eaton (850-139C) 15-26 GPM.....	22
Hydraulic Motor Eaton (850-140C) 27-43 GPM.....	24
Motor & Hose Assembly.....	26
Section 4: Options & Accessories.....	28
Case Drain Bundle.....	28
Front Roller Bundle.....	30
Large Flat Faced Couplers With Adapters Bundle.....	32
Pressure Gauge Bundle.....	34
Protective Door.....	36
Section 5: Decals.....	38
Decals.....	38
Kubota Touch-up Paints.....	40
Part Number Index.....	42

© Copyright 2019. All rights reserved.

Kubota provides this publication “as is” without warranty of any kind, either expressed or implied. While every precaution has been taken in the preparation of this manual, Kubota assumes no responsibility for errors or omissions. Neither is any liability assumed for damages resulting from the use of the information contained herein. Kubota reserves the right to revise and improve its products as it sees fit. This publication describes the state of this product at the time of its publication, and may not reflect the product in the future. The illustrations in this manual are not intended for safe and proper assembly or disassembly of equipment. The illustrations are intended for ordering parts only.

Kubota is registered trademark.

All other brands and product names are trademarks or registered trademarks of their respective holders.

Printed in the United States of America.



Alphabetized Table of Contents

B	
Blade Drive.....	6
C	
Case Drain Bundle.....	28
D	
Decals.....	38
Deck & Components.....	8
F	
Front Roller Bundle.....	30
G	
Gearbox Inline 1:1 SAE B 14T (826-844C) ABNG.....	10
Guard Chain Front.....	12
Guard Chain Rear S/N 1002194K-.....	14
Guard Chain Rear S/N 1002195K+.....	16
H	
Hydraulic Motor Eaton (850-138C) 15-26 GPM.....	20
Hydraulic Motor Eaton (850-139C) 15-26 GPM.....	22
Hydraulic Motor Eaton (850-140C) 27-43 GPM.....	24
K	
Kubota Touch-up Paints.....	40
L	
Large Flat Faced Couplers With Adapters Bundle.....	32
M	
Manual Tube.....	18
Motor & Hose Assembly.....	26
P	
Pressure Gauge Bundle.....	34
Protective Door.....	36

General Information

Using This Manual

This manual is divided into sections. The first section contains General Information. The remaining sections divide the machine into segments (i.e. Frames, Drives, Hydraulics, etc.) which illustrate and list all parts. A Parts Number Index is located at the back of the book.

The Kubota parts in this manual are specially designed for this machine and should be replaced with Kubota parts only.

The information in this manual is current at time of printing. Some parts may change to assure top performance.

Right-hand and left-hand as used in this manual are determined by facing the direction the machine will travel while in use.

Below is an example of two facing pages from a parts manual. Familiarize yourself with the type of information contained on these pages.

Manual Replacement Information

Replacement manuals are available. Refer to our website at www.landpride.com for additional information. Our website continues to provide the most up-to-date manuals available.

Touch-up Paint

Repaint parts where paint is worn or scratched to prevent rust. Aerosol cans and touch-up bottles with brush applicator are available through your local dealer. Also available are quart and gallon size paints. Add QT or GL to end of the Aerosol P/N.

Kubota color descriptions and part numbers are listed on the "Kubota Touch-up Paints" page in the "Decals" section of this book.



General Information

Hardware Legend

AR	As Required
BLADE	Blade Bolt
C	Cap Screw
CP	Cotter Pin
CPHSSS	Cup Point Hex Socket Set Screw
CPSHSS	Cup Point Square Head Set Screw
CPSQHSS	Cup Point Square Head Set Screw
CRFCHMS3	Cross Recess Flat Countersunk Head Machine Screw
CRPHMS	Cross Recess Pan Head Machine Screw
CRPHTFS	Cross Recess Pan Head Thread Forming
CRRHMS	Cross Recess Round Head Machine Screw
CRTHMS	Cross Recess Truss Head Machine Screw
CSNB	Countersunk Square Neck Bolt
FHMS	Flat Head Machine Screw
FTC	Full Thread Cap Screw
H	Hex Nut
HCLN	Hex Center Lock Nut
HFLCS	Hex Flange Lock Cap Screw
HFS	Hex Flange Screw
HFSLN	Hex Flange Serrated Lock Nut
HFSS	Hex Flange Serrated Screw
HHCS	Hex Head Cap Screw or Metric Bolt
HSBHCS	Hex Socket Button Head Cap Screw
HSFCHCS	Hex Socket Flat Countersunk Head Cap Screw
HSHCS	Hex Socket Head Cap Screw
HSSS	Hex Socket Head Screw
HTLN	Hex Top Lock Nut
HWHCS	Hex Washer Head Cap Screw

HWHMS	Hex Washer Head Machine Screw
HXBHCS	Hex Socket Button Head Cap Screw
J	Hex Jam Nut
JIC	37 Degree Tapered Thread
L	Helical Spring Lock Washer
LUG	Lug Bolt
NFC	National Fine Cap Screw
NPSM	National Pipe Straight Mechanical
NPTF	National Pipe Taper Fuel
P	Wide Plain Washer
PHMS	Pan Head Machine Screw
PLOW	Plow Bolt
RHMS	Round Head Machine Screw
RHSNB	Round Head Square Neck Bolt
SCREW LEVELING	Leveling Screw
SCREW THUMB	Thumb Screw
SCREW WELD	Weld Screw
SFCHMS	Slotted Flat Countersunk Head Machine Screw
SFHMS	Slotted Fillister Head Machine Screw
SP	Special
SP SCREW	Special Screw
SQHSS	Square Head Set Screw
SRHMS	Slotted Round Head Machine Screw
SSS	Socket Set Screw
STCS	Self Tapping Cap Screw
STHMS	Slotted Truss Head Machine Screw
WHEEL	Wheel Studs and Hub Long Bolts
WING	Wing Bolt

Replacement Hardware

The **Hardware Legend** above lists hardware abbreviations used in the parts list. All bolts and nuts are Grade 5 unless otherwise noted. The use of improper grades of hardware can result in personal injury, damage to equipment, or loss of property.

Part Number Service Coding

Within the parts list some part numbers are coded for revisions and interchangeability. See notations in revision column.

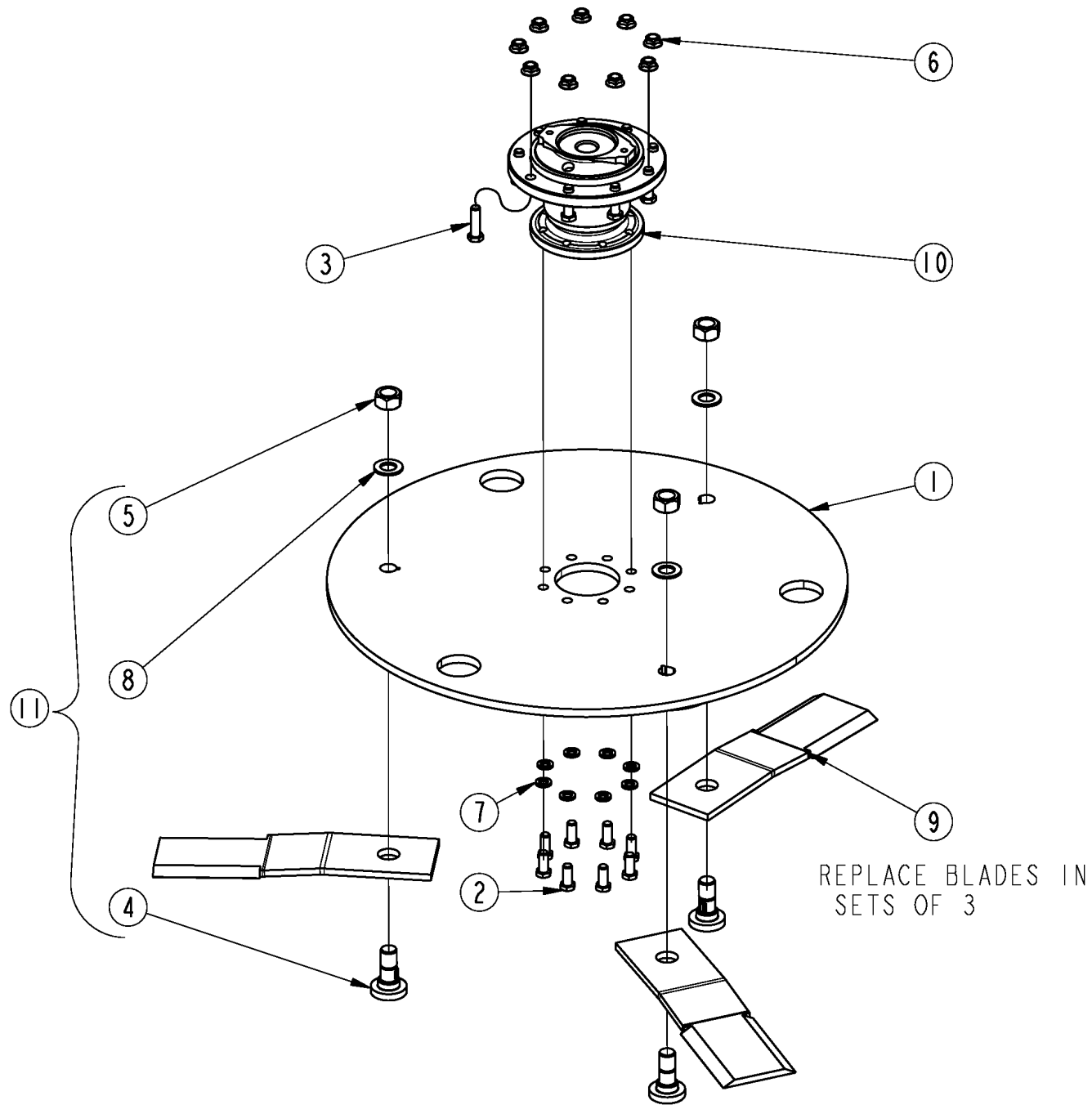
Serial Numbers

Always use the serial and model number when ordering parts. Refer to the Operator's Manual for serial number plate location.

- (S/N 20001+) Includes serial numbers 20001 and above (to the latest number)
- (S/N 10001 to 20000) Includes serial numbers between and including 10001 and 20000
- (S/N 10000-) Includes serial numbers 10000 and below (to the earliest number)

Blade Drive

Applies to AP-SC4060, AP-SC4072



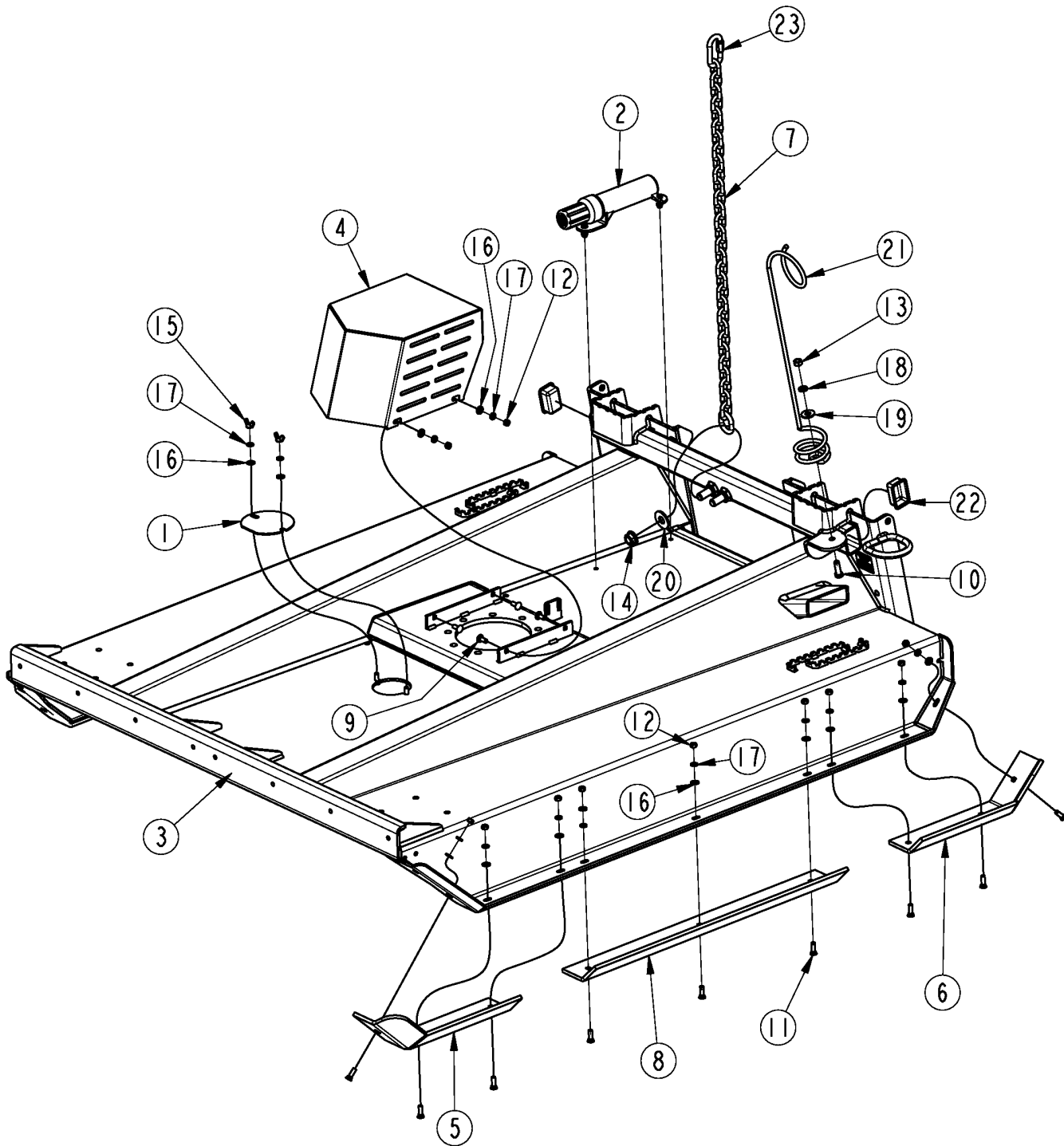
39998

Blade Drive**Applies to AP-SC4060, AP-SC4072**

Ref	Part No.	Part Description	Comments	Revision
	Dwg 39998	Image No.		
1.	326-849H	BLADE CARRIER	SC4060	
1.	326-850H	BLADE CARRIER 72"	SC4072	
2.	802-228C	HHCS 5/8-11X1 1/2 GR5 NYL		
3.	802-057C	HHCS 5/8-11X2 1/4 GR5		
4.	802-277C	BLD BLT 1 1/8-12X3.44 W/.25KEY		
5.	803-170C	NUT HEX TOP LOCK 1 1/8-12 PLT		
6.	803-263C	NUT HEX FLANGE LOCK 5/8-11 PLT		
7.	804-022C	WASHER LOCK SPRING 5/8 PLT		
8.	804-147C	WASHER FLAT 1" HARDENED		
9.	820-550C	CUTTER BLADE 1/2X5X16.24 BI-D		
10.	826-844C	GEARBOX INLINE 1:1 SAE B 14T		
11.	318-586A	BLADE BOLT KIT		

Deck & Components

Applies to AP-SC4060, AP-SC4072



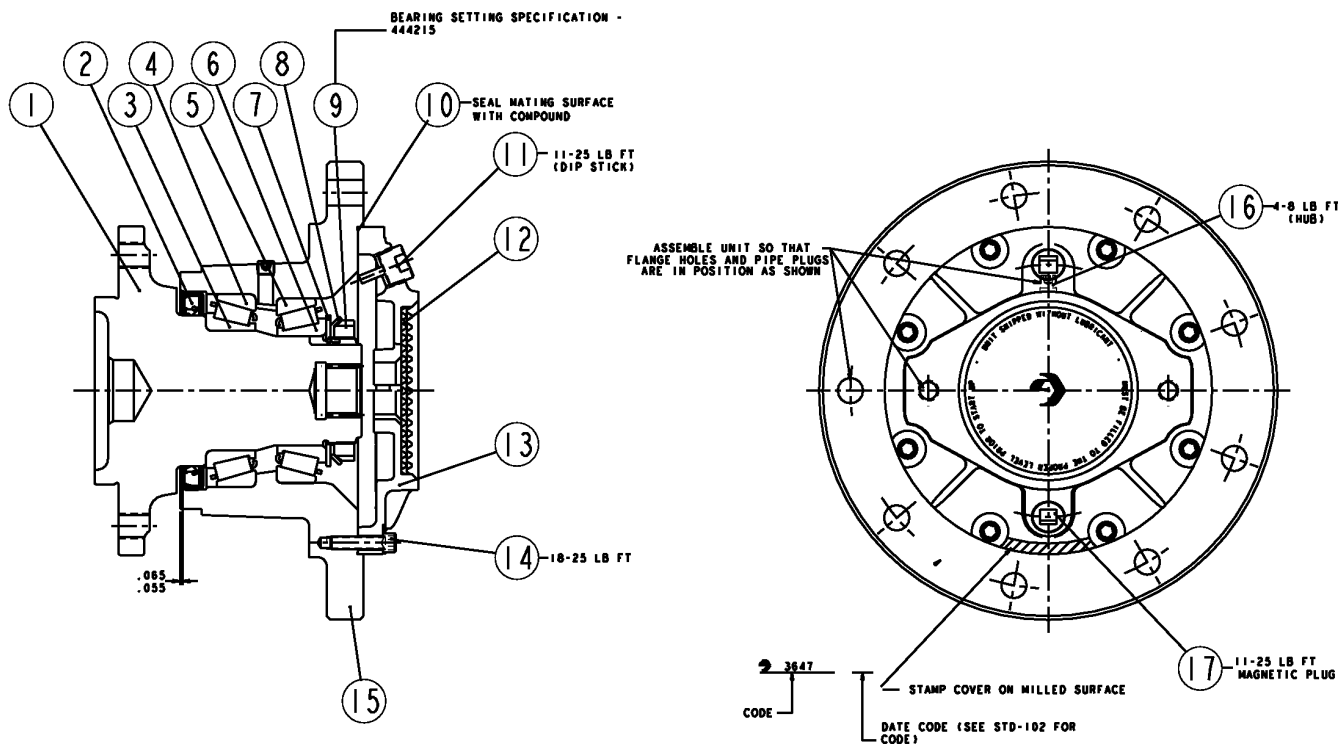
39999

Deck & Components**Applies to AP-SC4060, AP-SC4072**

Ref	Part No.	Part Description	Comments	Revision
	Dwg 39999	Image No.		
1.	312-647D	BLADE BOLT ACCESS COVER		
2.	326-095S	MANUAL CONTAINER KIT, 1 1/4		
3.	326-638H	DECK 60" SC40	SC4060	
3.	326-944H	DECK 72" SC40	SC4072 (S/N 1002195K+)	
3.	326-655H	DECK 72" SC40	SC4072 (S/N 1002194K-)	
4.	326-865H	MOTOR SHROUD		
5.	326-896H	SKID SHOE HD		
6.	326-897H	SKID SHOE HD		
7.	327-206D	HEIGHT ADJ. CHAIN		
8.	327-577D	SKID SHOE MID HD 60	SC4060	
8.	327-576D	SKID SHOE MID HD 72	SC4072	
9.	802-015C	RHSNB 3/8-16X1 GR5		
10.	802-091C	HHCS 1/2-13X1 1/2 GR5	S/N 1024644K+	
11.	802-466C	PLOW 3/8-16X1 1/4 GR5		
12.	803-014C	NUT HEX 3/8-16 PLT		
13.	803-020C	NUT HEX 1/2-13 PLT	S/N 1024644K+	
14.	803-181C	NUT HEX FLANGE LOCK 3/4-10 PLT		
15.	803-231C	NUT WING 3/8-16 PLT		
16.	804-012C	WASHER FLAT 3/8 SAE PLT		
17.	804-013C	WASHER LOCK SPRING 3/8 PLT		
18.	804-015C	WASHER LOCK SPRING 1/2 PLT	S/N 1024644K+	
19.	804-017C	WASHER FLAT 1/2 USS PLT	S/N 1024644K+	
20.	804-024C	WASHER FLAT 3/4 USS PLT		
21.	807-073C	SPRING HOSE LOOP HEAVY	S/N 1024644K+	
22.	817-387C	PLASTIC END CAP 3X2X3/16 WL TB		
23.	890-931C	QUICK LINK 1/2"		

Gearbox Inline 1:1 SAE B 14T (826-844C) ABNG

Applies to AP-SC4060, AP-SC4072



72850

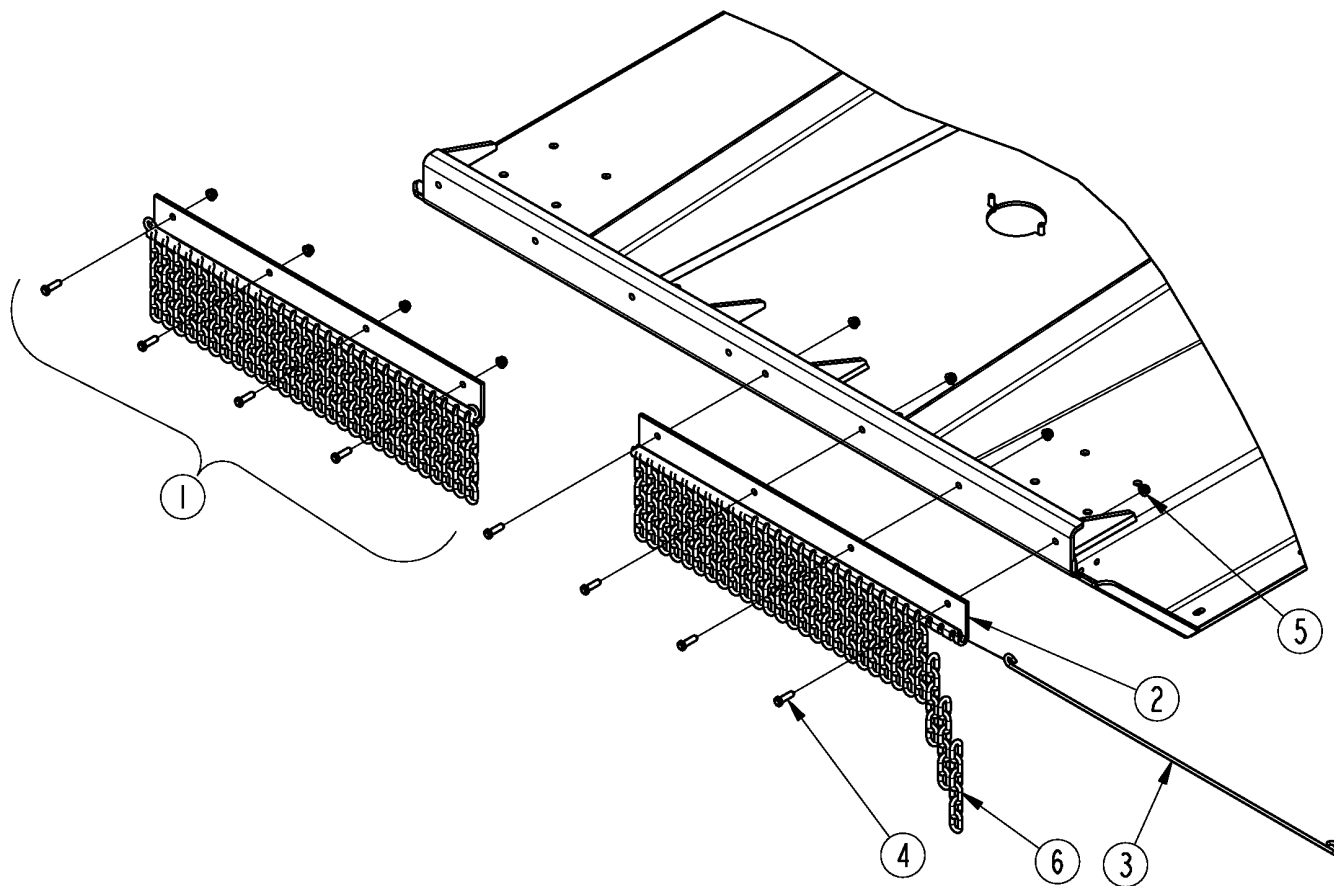
Gearbox Inline 1:1 SAE B 14T (826-844C) ABNG

Applies to AP-SC4060, AP-SC4072

Ref	Part No.	Part Description	Comments	Revision
	Dwg 72850	Image No.		
	826-844C	GEARBOX INLINE 1:1 SAE B 14T *		
1.	6171200	ABNG SHAFT-OUTPUT		
2.	604415	ABNG SEAL-OIL		
3.	613317	ABNG BEARING-CONE		
4.	613316TK	BEARING-CUP - M7		
5.	613318TK	BEARING-CUP - M7		
6.	613319TK	BEARING-CONE - M7		
7.	619321	ABNG WASHER-TRUST		
8.	605004	ABNG WASHER-LOCK		
9.	614913	ABNG NUT-LOCK		
10.	10-00-041-002	ABGN COMPOUND		
11.	605901	ABNG PLUG-PIPE		
12.	14-00-191-003	ABNG PLUG-SHIPPING		
13.	6039107	ABNG COVER		
14.	60118313	ABNG SCREW-SKT HD CAP		
15.	6179207	ABNG HUB		
16.	03-04-101-09	ABNG PLUG-PIPE		
17.	14-00-052-002	ABNG PLUG-PIPE		

Guard Chain Front

Applies to AP-SC4060, AP-SC4072



70000

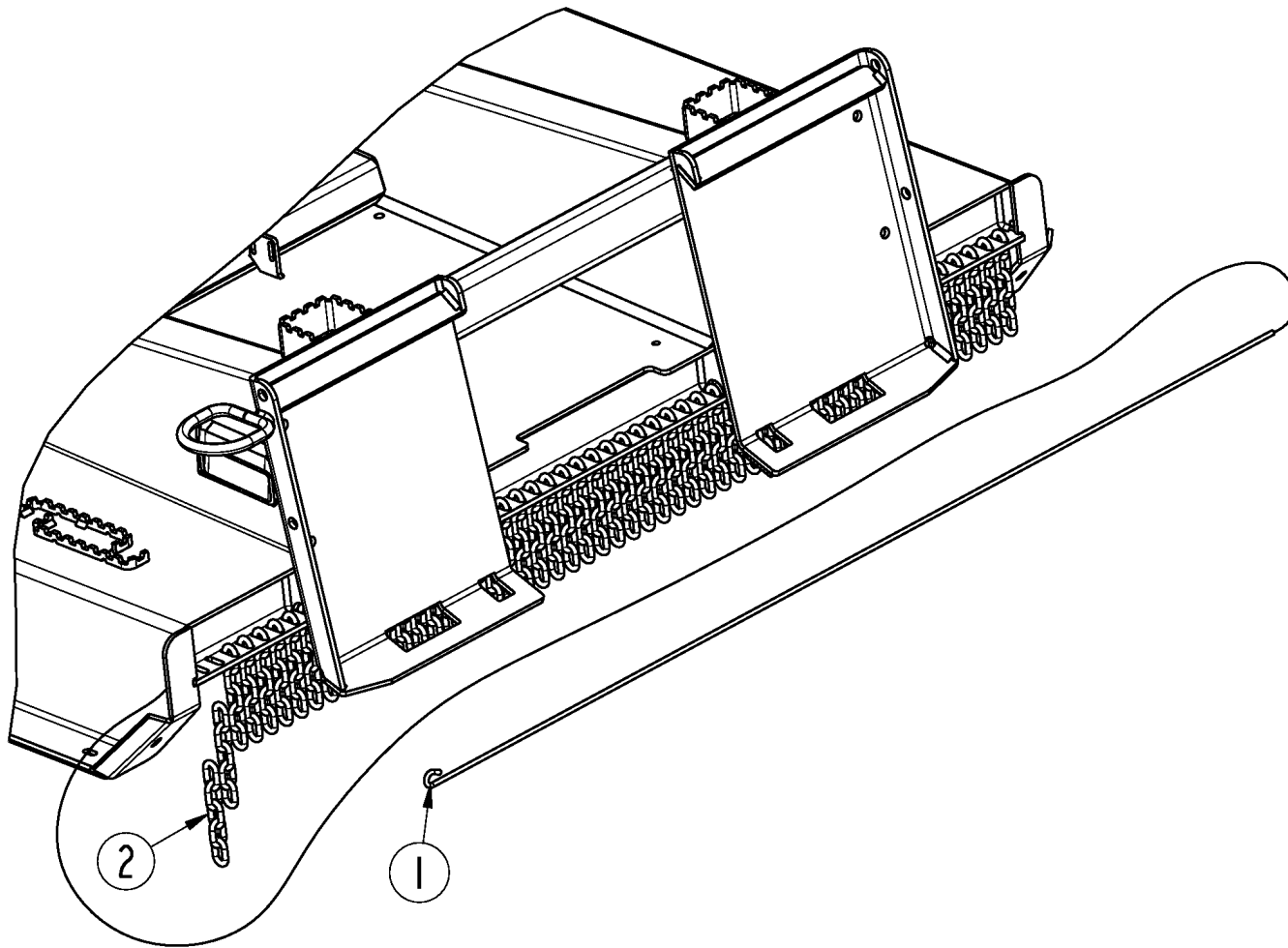
Guard Chain Front

Applies to AP-SC4060, AP-SC4072

Ref	Part No.	Part Description	Comments	Revision
	Dwg 70000	Image No.		
1.	326-906K	CHAIN GUARD FRT 60	SC4060	
1.	326-898K	CHAIN GUARD FRT 72	SC4072	
2.	327-582D	CHAIN GUARD FORMED	SC4060 (28 chains)	
2.	327-578D	CHAIN GUARD FORMED	SC4072 (33 chains)	
3.	327-660D	ROUND ROD .25 X 34.27		
4.	802-079C	HHCS 3/8-16X1 1/4 GR5		
5.	803-209C	NUT FLANGE LOCK 3/8-16 PLT		
6.	890-175C	CHAIN 5/16 GR 43 X 6 LINKS PLT		

Guard Chain Rear S/N 1002194K-

Applies to AP-SC4072



70001

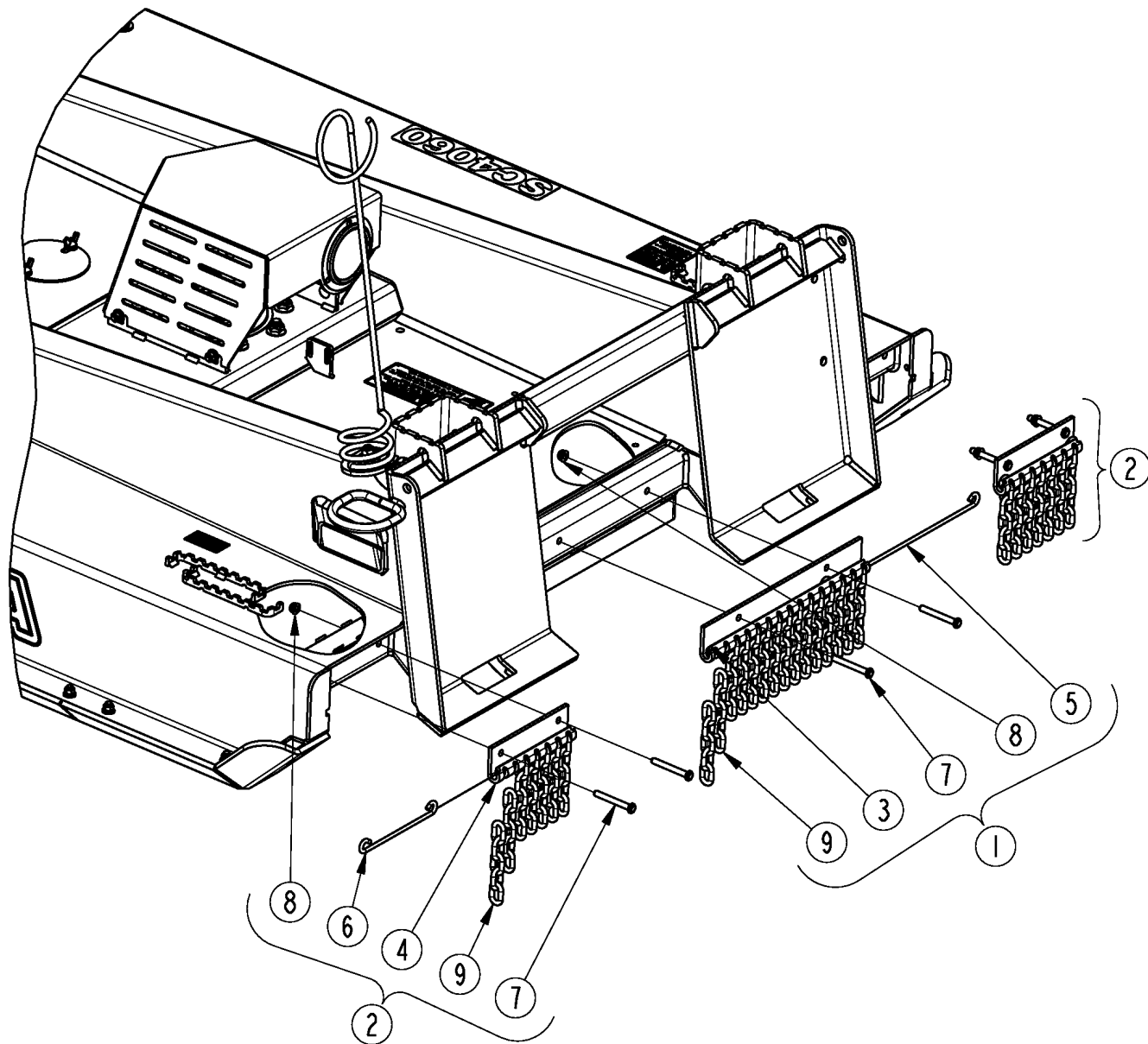
Guard Chain Rear S/N 1002194K-

Applies to AP-SC4072

Ref	Part No.	Part Description	Comments	Revision
	Dwg 70001	Image No.		
1.	327-279D	ROD ROUND .25 X 76.5		
2.	890-341C	CHAIN WELD 5/16 GR 43 X 5 LINK		

Guard Chain Rear S/N 1002195K+

Applies to AP-SC4060, AP-SC4072



70028

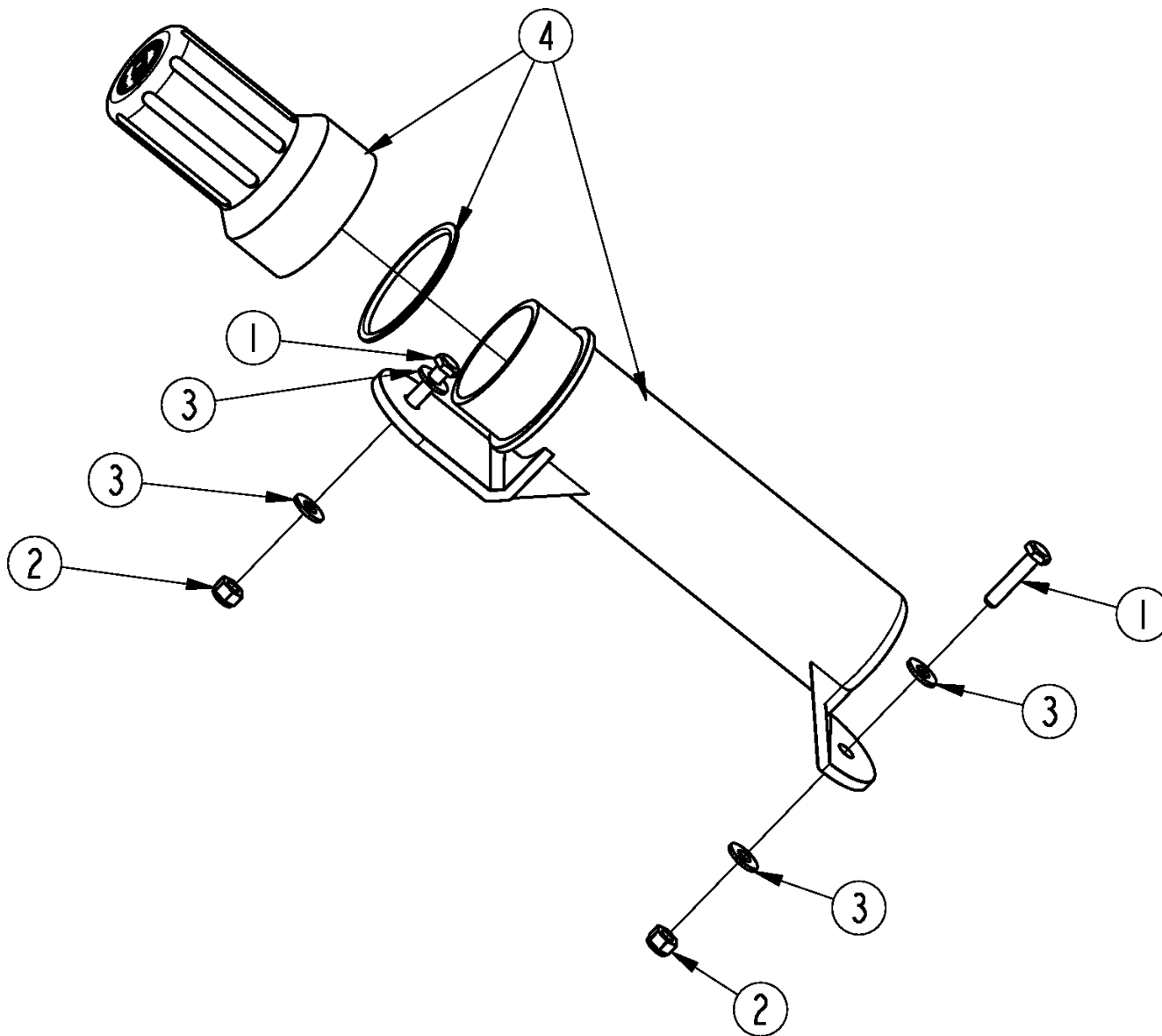
Guard Chain Rear S/N 1002195K+

Applies to AP-SC4060, AP-SC4072

Ref	Part No.	Part Description	Comments	Revision
	Dwg 70028	Image No.		
1.	326-940K	CHAIN GUARD MID		
2.	326-941K	CHAIN GUARD OUT 60	SC4060	
2.	326-942K	CHAIN GUARD OUT 72	SC4072	
3.	327-668D	MID GUARD		
4.	327-669D	OUTER GUARD 60"	SC4060	
4.	327-670D	OUTER GUARD 72"	SC4072	
5.	327-671D	ROUND ROD .25 X 19.02		
6.	327-672D	ROUND ROD .25 X 10.52	SC4060	
6.	327-673D	ROUND ROD .25 X 16.52	SC4072	
7.	802-024C	HHCS 3/8-16X3 GR5	S/N 1033455K+	
7.	802-079C	HHCS 3/8-16X1 1/4 GR5	S/N 1033454K-	
8.	803-209C	NUT FLANGE LOCK 3/8-16 PLT		
9.	890-341C	CHAIN WELD 5/16 GR 43 X 5 LINK		

Manual Tube

Applies to AP-SC4060, AP-SC4072



39163

Manual Tube

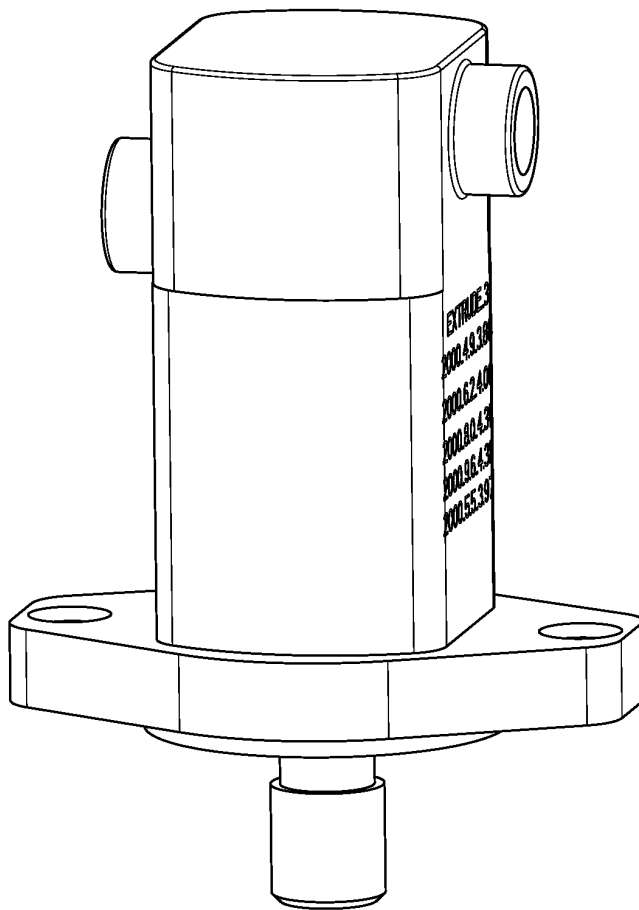
Applies to AP-SC4060, AP-SC4072

Ref	Part No.	Part Description	Comments	Revision
	Dwg 39163	Image No.		
	326-095S	MANUAL CONTAINER KIT, 1 1/4 *		
1.	802-224C	HHCS 1/4-20X1 1/4 GR5		
2.	803-255C	NUT HEX NYLOCK 1/4-20		
3.	804-007C	WASHER FLAT 1/4 SAE PLT		
4.	816-504C	MANUAL STORAGE CONTAINER		

Hydraulic Motor Eaton (850-138C) 15-26 GPM

Applies to AP-SC4060, AP-SC4072

NO PARTS AVAILABLE FOR THIS MOTOR AT THIS TIME



70008

Hydraulic Motor Eaton (850-138C) 15-26 GPM

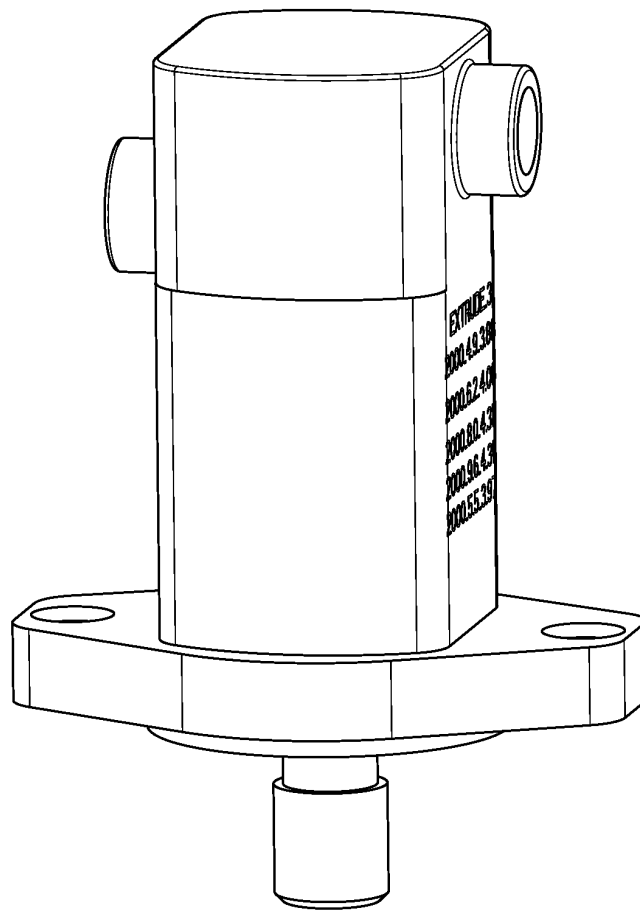
Applies to AP-SC4060, AP-SC4072

No Parts List associated with this diagram

Hydraulic Motor Eaton (850-139C) 15-26 GPM

Applies to AP-SC4060, AP-SC4072

NO PARTS AVAILABLE FOR THIS MOTOR AT THIS TIME



70010

Hydraulic Motor Eaton (850-139C) 15-26 GPM

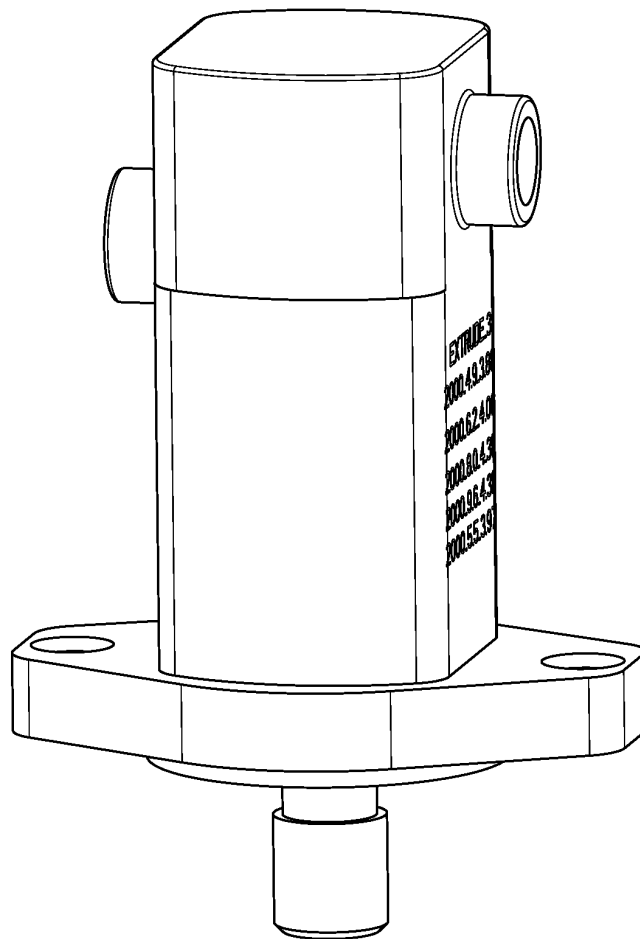
Applies to AP-SC4060, AP-SC4072

No Parts List associated with this diagram

Hydraulic Motor Eaton (850-140C) 27-43 GPM

Applies to AP-SC4060, AP-SC4072

NO PARTS AVAILABLE FOR THIS MOTOR AT THIS TIME



70011

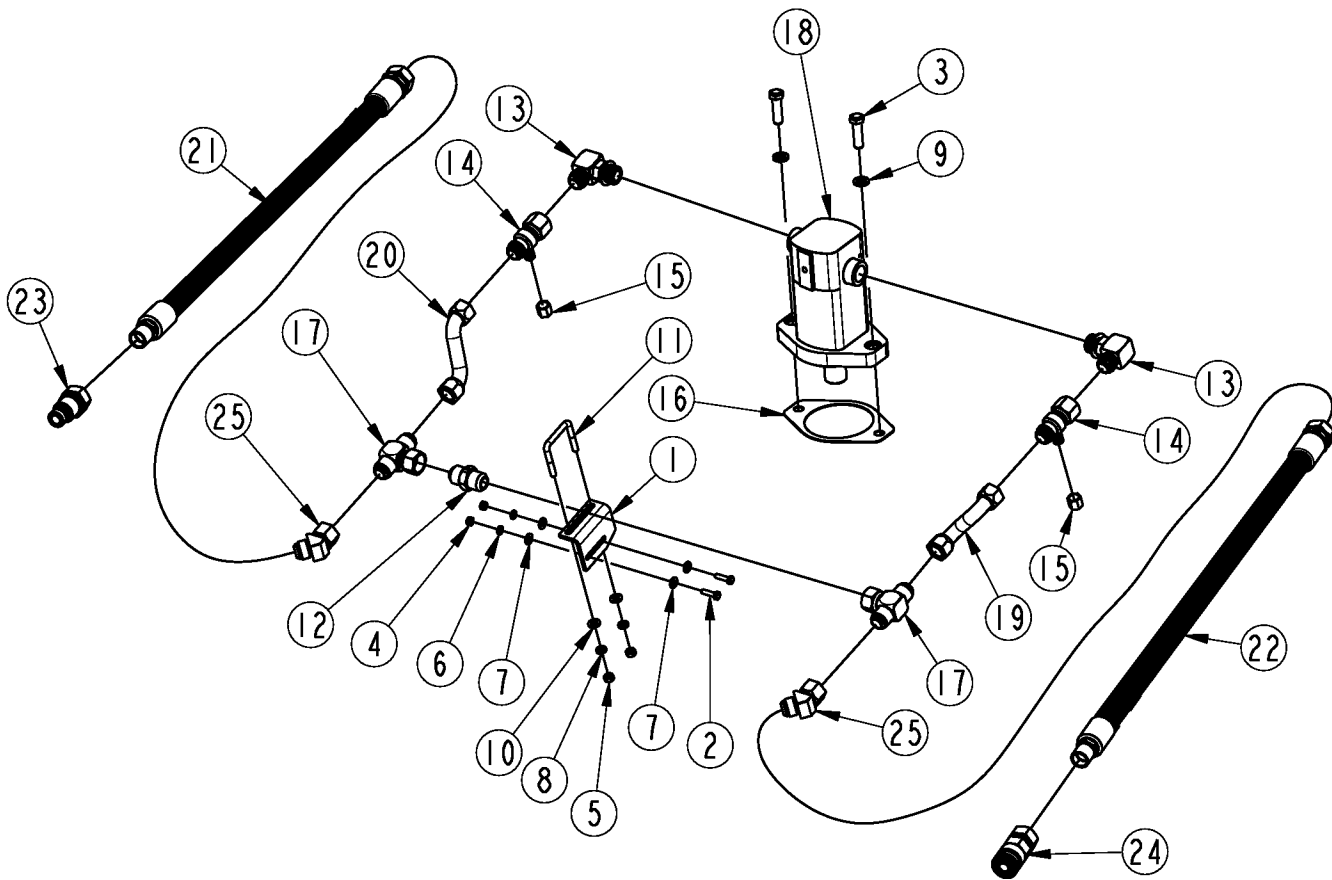
Hydraulic Motor Eaton (850-140C) 27-43 GPM

Applies to AP-SC4060, AP-SC4072

No Parts List associated with this diagram

Motor & Hose Assembly

Applies to AP-SC4060, AP-SC4072



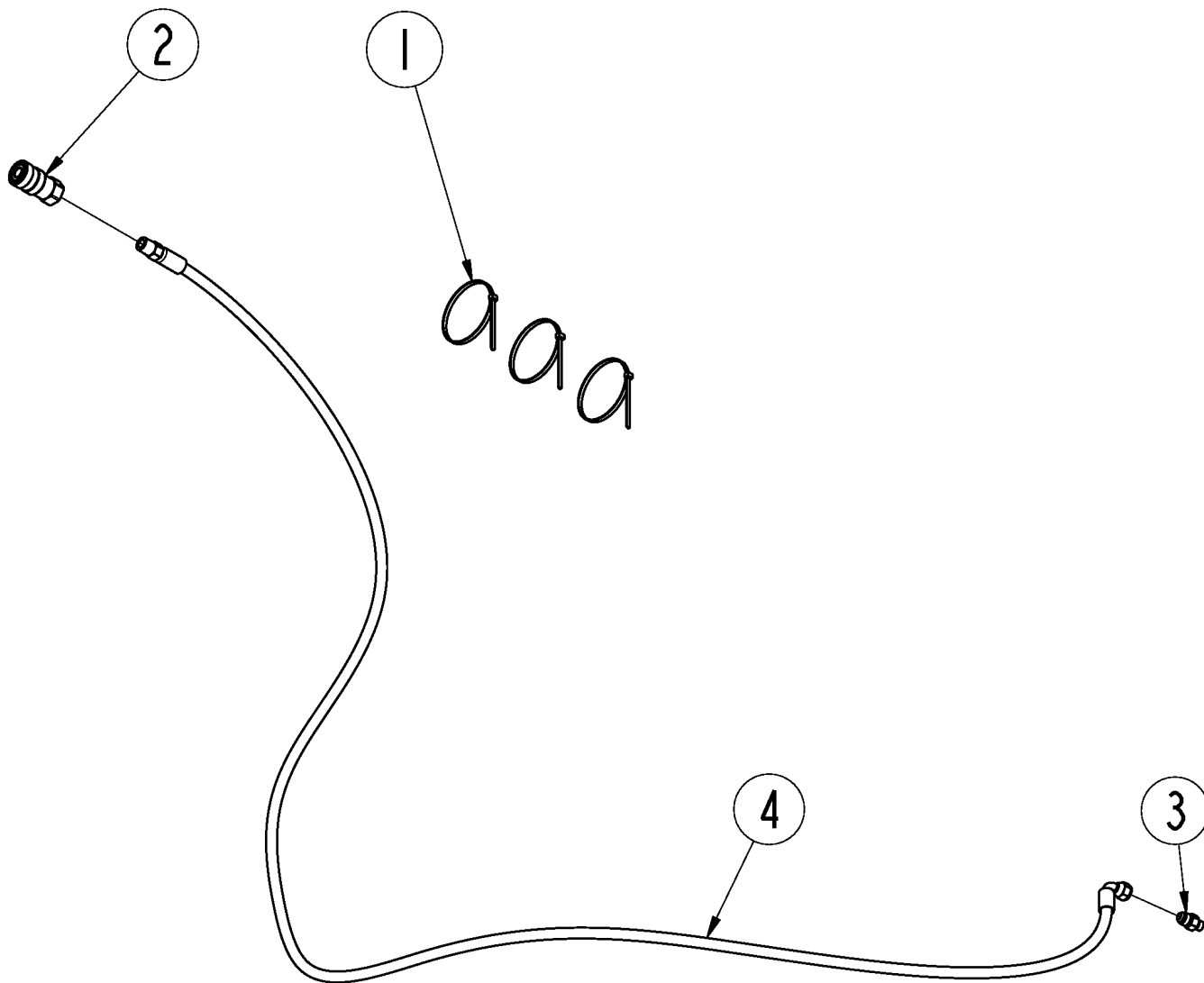
70002

Motor & Hose Assembly**Applies to AP-SC4060, AP-SC4072**

Ref	Part No.	Part Description	Comments	Revision
	Dwg 70002	Image No.		
	326-846A	HYD. BNDL 5.5 15-26 GPM	SC4060	
	326-848A	HYD. BNDL 9.6 27-43 GPM	SC4060	
	326-860A	HYD. BNDL 6.2 15-26 GPM	SC4072	
	326-861A	HYD. BNDL 9.6 27-43 GPM	SC4072	
		*		
1.	327-647D	HOSE CLAMP		
2.	802-005C	HHCS 1/4-20X1 GR5		
3.	802-082C	HHCS 1/2-13X1 3/4 GR5		
4.	803-006C	NUT HEX 1/4-20 PLT		
5.	803-008C	NUT HEX 5/16-18 PLT		
6.	804-006C	WASHER LOCK SPRING 1/4 PLT		
7.	804-007C	WASHER FLAT 1/4 SAE PLT		
8.	804-009C	WASHER LOCK SPRING 5/16 PLT		
9.	804-015C	WASHER LOCK SPRING 1/2 PLT		
10.	804-036C	WASHER FLAT 5/16 SAE PLT		
11.	806-094C	U-BOLT 5/16-18 X 2 X 2 1/8		
12.	810-715C	VALVE 3/4 IN-LINE CHECK		
13.	811-411C	EL 1 1/16MJIC 1 1/16MORB		
14.	811-624C	TE1 1/16MJIC 1 1/16FJIC 9/16MJ		
15.	811-862C	CP 9/16FJIC		
16.	816-884C	GASKET SAE B 2 BOLT		
17.	841-676C	TEE 1.06FJIC 1.06MJIC 1.06MJIC		
18.	850-138C	HYD. MOTOR 5.5 SAEB 1.06	SC4060	
18.	850-139C	HYD. MOTOR 6.2 SAEB 1.06	SC4072	
18.	850-140C	HYD. MOTOR 9.6 SAEB 1.06	SC4060 & SC4072	
19.	851-819C	OFFSET FITTING 1.06FJIC 2.82"		
20.	851-820C	OFFSET FITTING 1.06FJIC 2.96"		
21.	861-262C	HH3/4R13 90.1 1.06 MORB FJIC	SC4060 S/N 1024644K+	
21.	851-821C	RPBY 861-262C	SC4060 S/N 1024643K- (Obsolete)	
21.	861-264C	HH3/4R13 96.8 1.06MORB1.06FJIC	SC4072 S/N 1024644K+	
21.	861-028C	RPBY 861-264C	SC4072 S/N 1024643K- (Obsolete)	
22.	861-263C	HH3/4R13 91.8 1.06 MORB FJIC	SC4060 S/N 1024644K+	
22.	851-822C	RPBY 861-263C	SC4060 S/N 1024643K- (Obsolete)	
22.	861-265C	HH3/4R13 97.8 1.06MORB1.06FJIC	SC4072 S/N 1024644K+	
22.	861-029C	RPBY 861-265C	SC4072 S/N 1024643K- (Obsolete)	
23.	851-947C	CUP 1 1/16FORB MALE QUICK CPLR		
24.	851-948C	CUP 1 1/16FORB FML QUICK CPLR		
25.	861-087C	EL 1.06FJIC1.06MJIC 45		

Case Drain Bundle

Applies to AP-SC4060, AP-SC4072



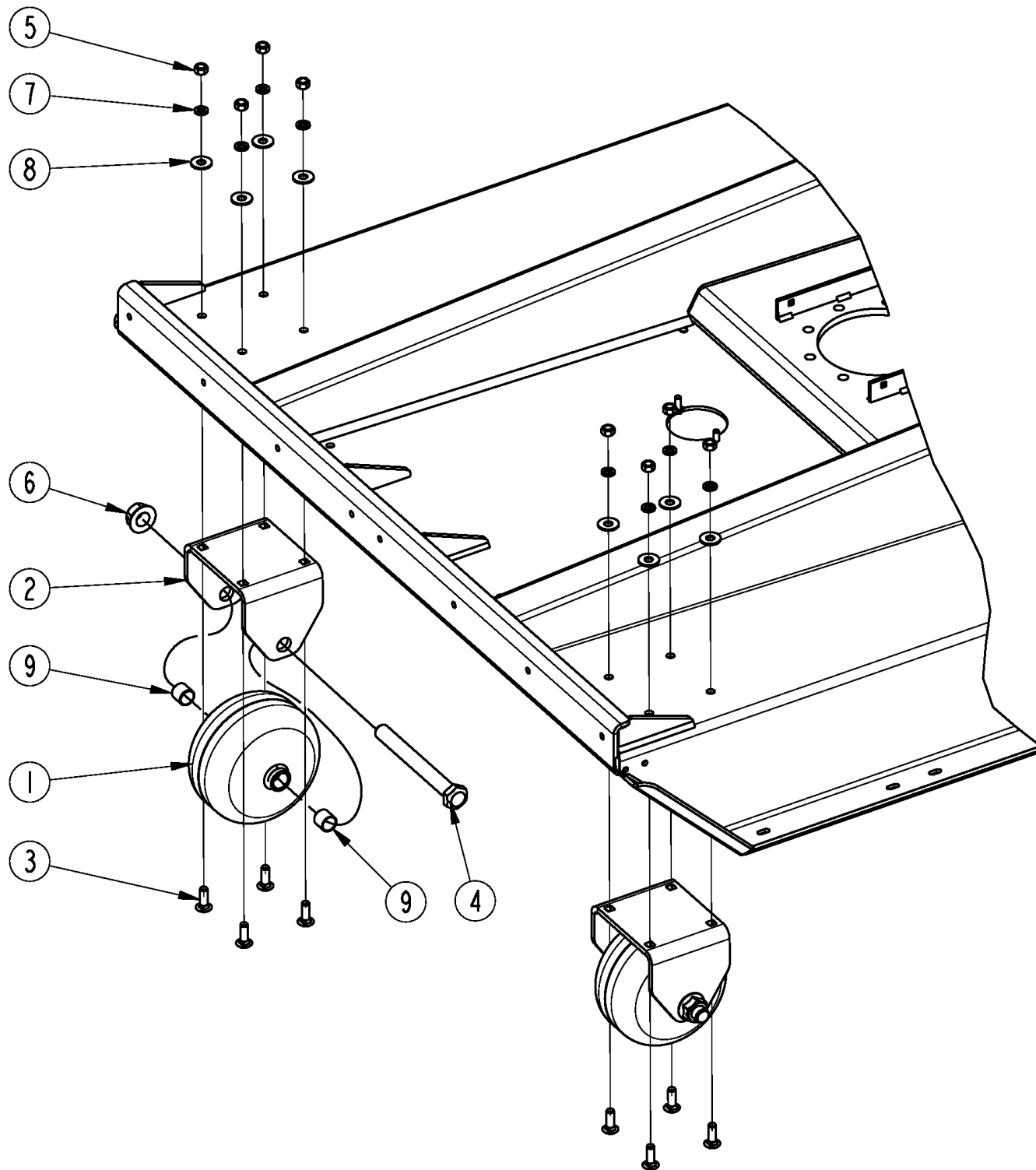
70004

Case Drain Bundle**Applies to AP-SC4060, AP-SC4072**

Ref	Part No.	Part Description	Comments	Revision
	Dwg 70004	Image No.		
	326-863A	CASE DRAIN BUNDLE 60"	SC4060	
	326-864A	CASE DRAIN BUNDLE 72"	SC4072	
		*		
1.	800-060C	CABLE TIE .19X14.25 3DIA 50LB		
2.	841-539C	CP 3/8 FEMALE QD 3/8FNPT		
3.	851-755C	AD 7/16MORB 9/16MJIC		
4.	861-267C	HH1/4R2 100.3 3/8MNPT9/16FJC90	SC4060 S/N 1024644K+	
4.	851-855C	RPBY 861-267C	SC4060 S/N 1024643K- (Obsolete)	
4.	861-266C	HH1/4R2 105.8 3/8MNPT9/16FJC90	SC4072 S/N 1024644K+	
4.	851-851C	RPBY 861-266C	SC4072 S/N 1024643K- (Obsolete)	

Front Roller Bundle

Applies to AP-SC4060, AP-SC4072



70005

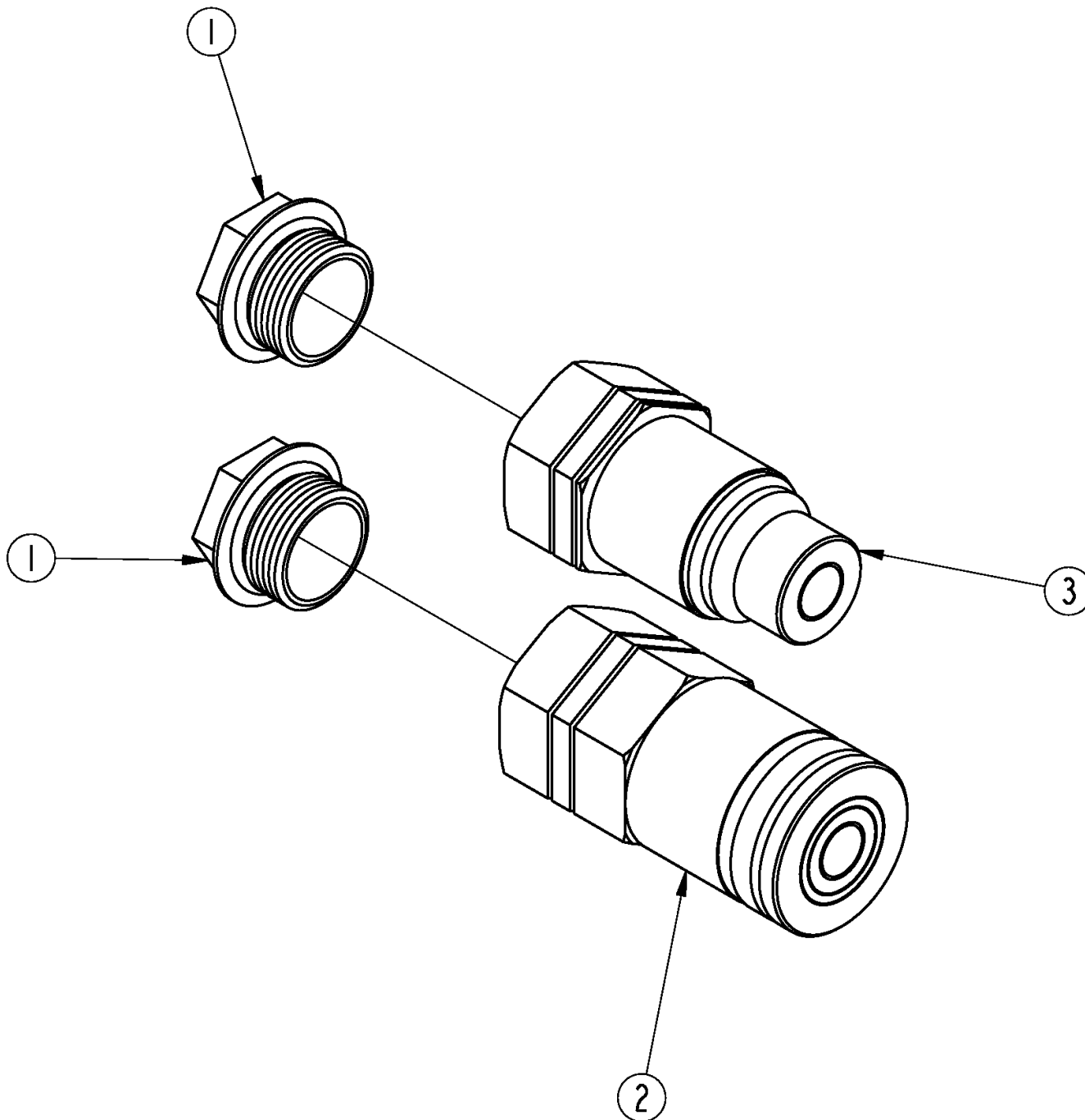
Front Roller Bundle

Applies to AP-SC4060, AP-SC4072

Ref	Part No.	Part Description	Comments	Revision
	Dwg 70005 326-646A	Image No. FRONT ROLLER BUNDLE *		
1.	326-648H	ROLLER WELD		
2.	327-524D	WHEEL MOUNT		
3.	802-106C	RHSNB 1/2-13X1 1/2 GR5		
4.	802-877C	HHCS 1-8X9 GR8 SPTHD		
5.	803-020C	NUT HEX 1/2-13 PLT		
6.	803-258C	NUT HEX FLG LOCK 1-8 GR B PLT		
7.	804-015C	WASHER LOCK SPRING 1/2 PLT		
8.	804-017C	WASHER FLAT 1/2 USS PLT		
9.	817-875C	SLEEVE BEARING 1 I.D.		

Large Flat Faced Couplers With Adapters Bundle

Applies to AP-SC4060, AP-SC4072



70167

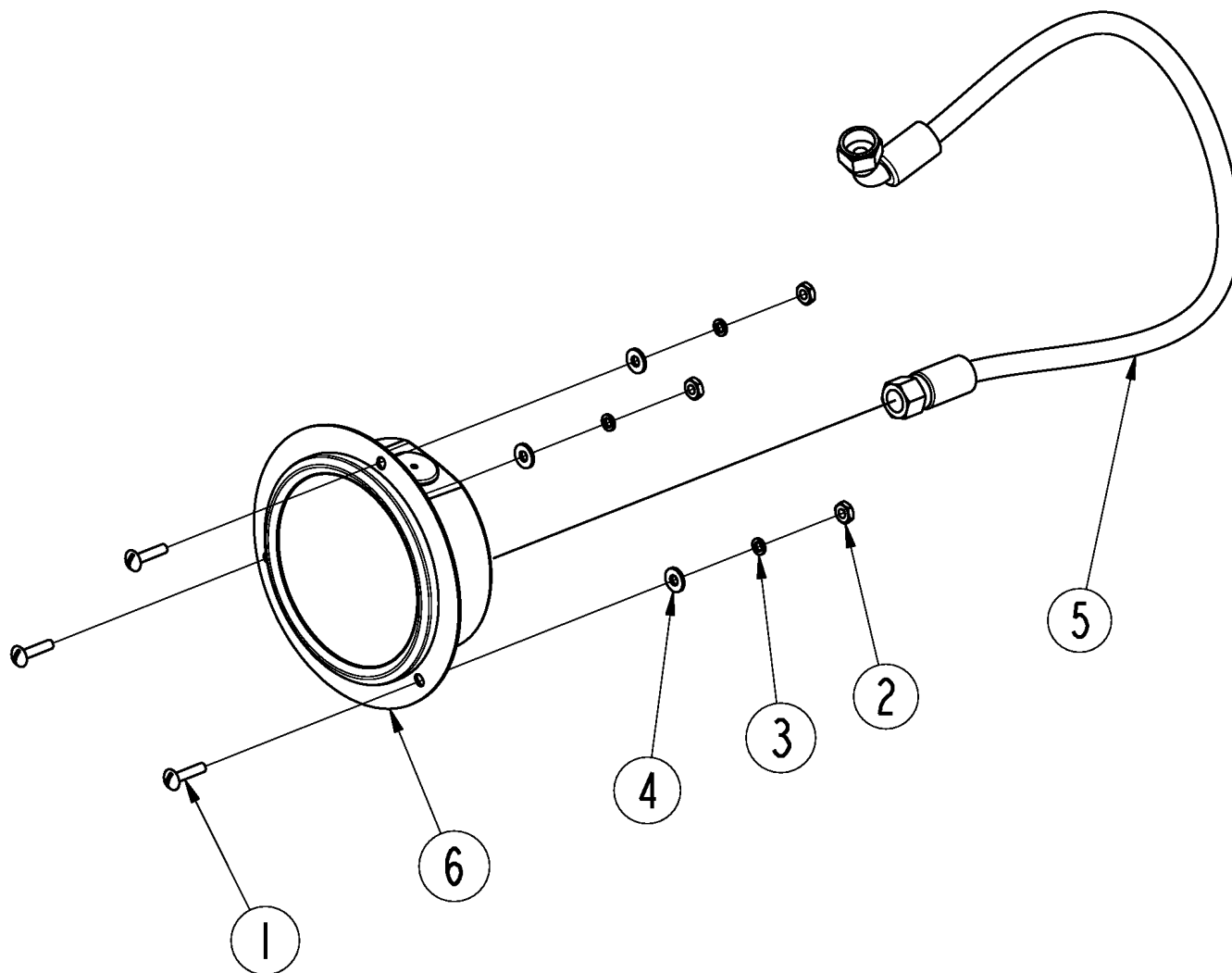
Large Flat Faced Couplers With Adapters Bundle

Applies to AP-SC4060, AP-SC4072

Ref	Part No.	Part Description	Comments	Revision
	Dwg 70167 326-960A	Image No. LG FLAT FACED CPLRS W/ADAPTERS *		
1.	811-570C	AD 1 5/16MORB 1 1/16FORB		
2.	841-957C	CP 1 5/16FORB FEMALE QD		
3.	841-958C	CP 1 5/16FORB MALE QD		

Pressure Gauge Bundle

Applies to AP-SC4060, AP-SC4072



70006

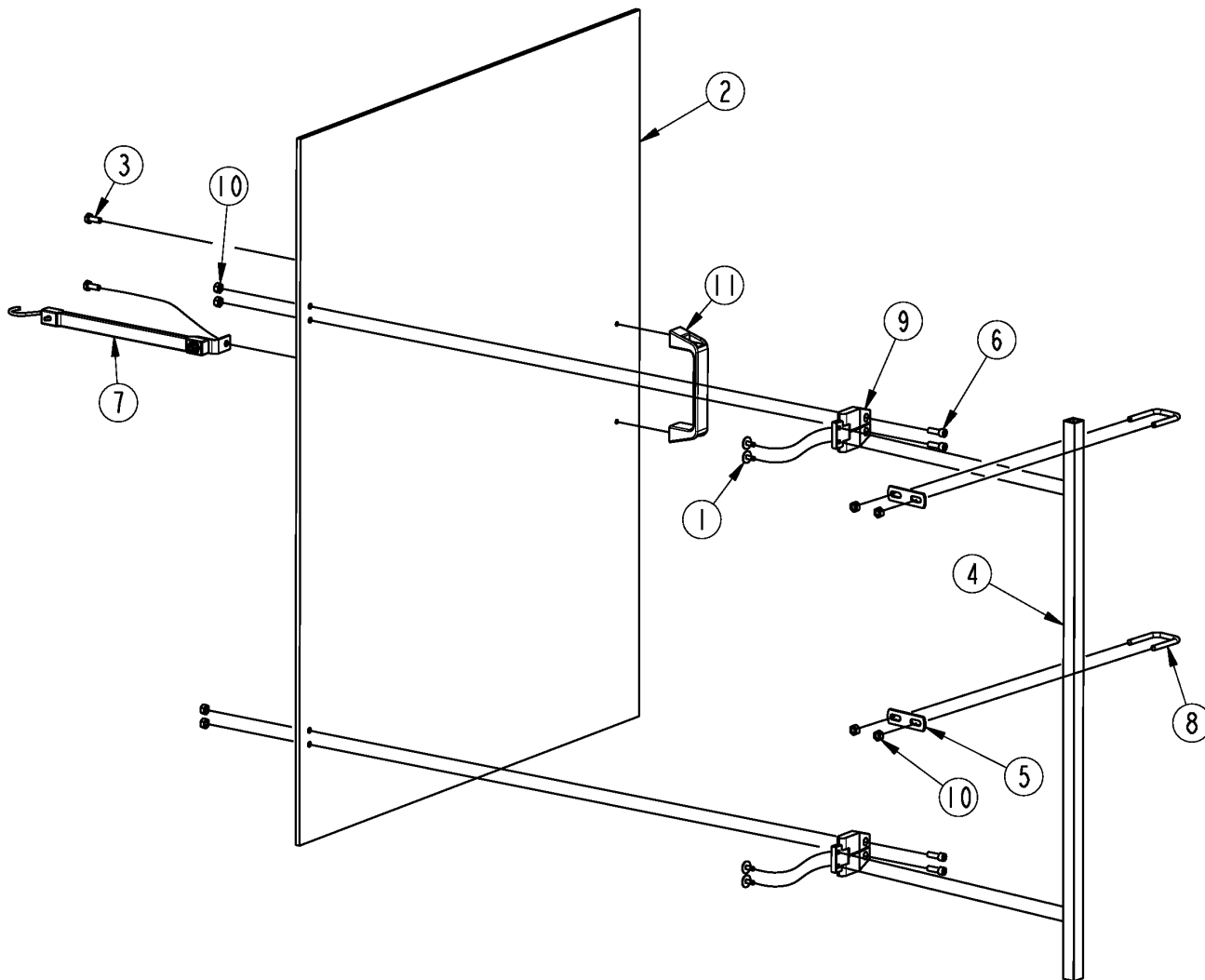
Pressure Gauge Bundle

Applies to AP-SC4060, AP-SC4072

Ref	Part No.	Part Description	Comments	Revision
	Dwg 70006 326-867A	Image No. PRESSURE GAUGE BUNDLE *		
1.	801-262C	SCREW RD HD 8-32 X 3/4 PLT		
2.	803-487C	NUT HEX #8-32 PLT		
3.	804-043C	WASHER LOCK #8		
4.	804-088C	WASHER FLAT #8 SAE PLT		
5.	851-936C	HH1/4R2 19.5 1/4FNPT.56FJIC90		
6.	861-054C	PRESSURE GAUGE 6000 PSI		

Protective Door

Applies to AP-SC4060, AP-SC4072



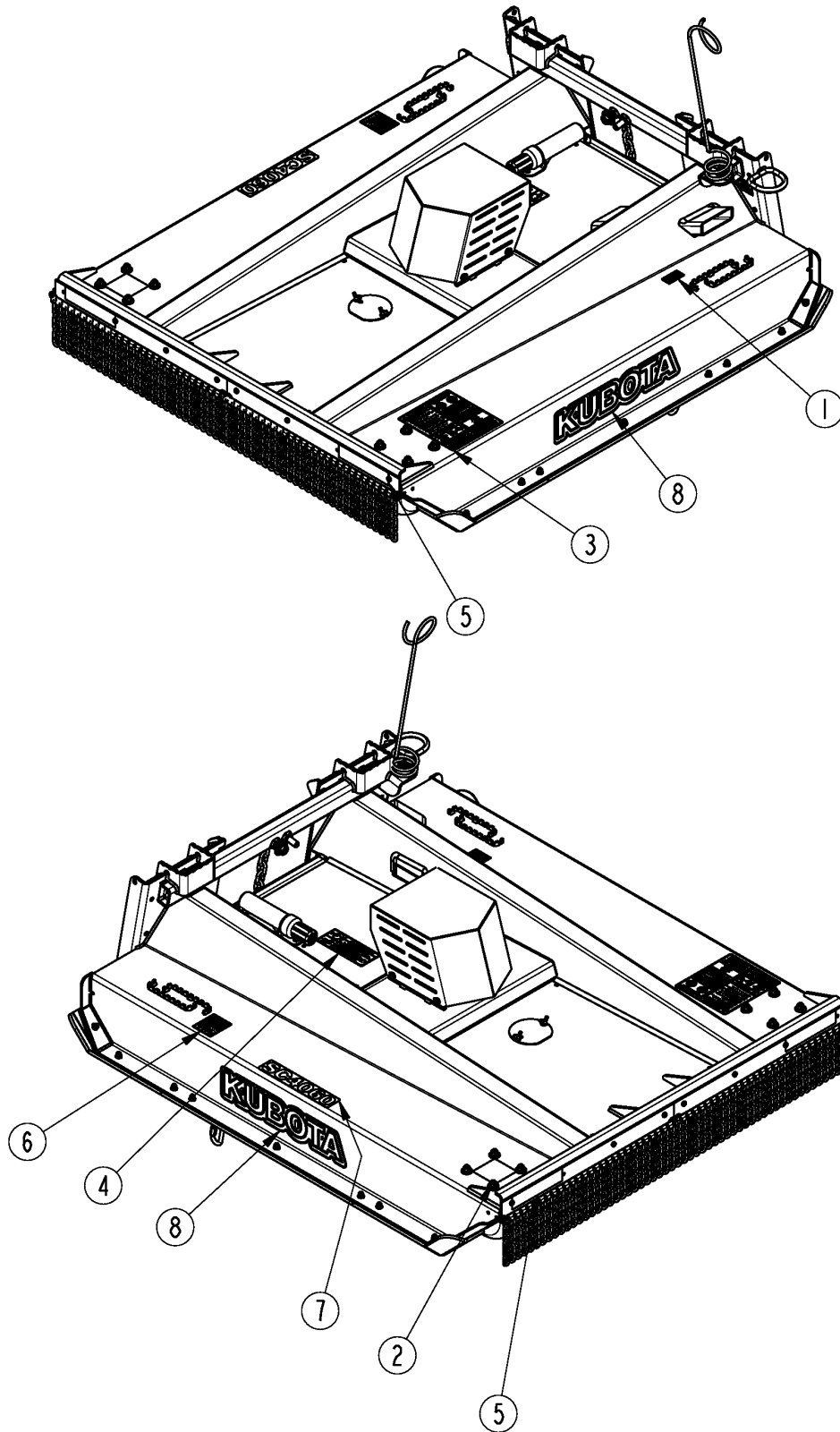
24640

Protective Door**Applies to AP-SC4060, AP-SC4072**

Ref	Part No.	Part Description	Comments	Revision
	Dwg 24640 326-024A	Drawing Image Number PROTECTIVE DOOR ASSY *		
1.	800-230C	RIVET POP 3/16 .251-.375 LF	Not Included in 326-024A	
2.	PSM12RSA	SKID PROTECTIVE DOOR		
3.	PSM2520137UB	HHCS 1/4-20X5/8 GR5		
4.	PSM252058SC	HINGE TUBE		
5.	PSM252075SC	PLATE, U-BOLT		
6.	PSM2520NT	HSHCS 1/4-20X3/4		
7.	PSM321650HA	DOOR STRAP		
8.	PSM8300879DH	U-BOLT 1/4-20X1 3/8X2		
9.	PSMAL75SQ	DOOR HINGE		
10.	PSMGPSPD	NUT LOCK 1/4-20 PLT		
11.	PSMST11AG	DOOR HANDLE		

Decals

Applies to AP-SC4060, AP-SC4072



70007

Decals

Applies to AP-SC4060, AP-SC4072

Ref	Part No.	Part Description	Comments	Revision
	Dwg 70007	Image No.		
1.	818-190C	DECAL FLAG		
2.	818-555C	DECAL DANGER ROTATE BLADE		
3.	818-830C	DECAL SAFETY COMBO SUNWEST		
4.	818-831C	DECAL WARNING HIGH PRESSURE		
5.	838-615C	DECAL REFLECTOR AMBER 2X9		
6.	838-948C	DECAL DO NOT OPERATE		
7.	858-006C	DECAL SC4060	SC4060	
7.	858-007C	DECAL SC4072	SC4072	
8.	858-400C	DECAL KUBOTA 22"		

Kubota Touch-up Paints

Applies to AP-SC4060, AP-SC4072

No diagram associated with this Parts List

Kubota Touch-up Paints

Applies to AP-SC4060, AP-SC4072

Ref	Part No.	Part Description	Comments	Revision
1.	821-070C	GLOSS BLACK SPRAY CAN	All Products	
2.	821-070CTU	GLOSS BLACK TOUCH-UP 5OZ		
3.	821-070CQT	GLOSS BLACK QUART		
4.	821-070CGL	GLOSS BLACK GALLON		



Part Number Index

The Part Number Index is a numeric index of all part numbers included in this manual. The index shows what page(s) the part is used on.

Part Number	Page	Part Number	Page	Part Number	Page
03-04-101-09	11	802-224C	19	858-006C	39
10-00-041-002	11	802-228C	7	858-007C	39
14-00-052-002	11	802-277C	7	858-400C	39
14-00-191-003	11	802-466C	9	861-028C	27
312-647D	9	802-877C	31	861-029C	27
318-586A	7	803-006C	27	861-054C	35
326-024A	37	803-008C	27	861-087C	27
326-095S	9, 19	803-014C	9	861-262C	27
326-638H	9	803-020C	9, 31	861-263C	27
326-646A	31	803-170C	7	861-264C	27
326-648H	31	803-181C	9	861-265C	27
326-655H	9	803-209C	13, 17	861-266C	29
326-846A	27	803-231C	9	861-267C	29
326-848A	27	803-255C	19	890-175C	13
326-849H	7	803-258C	31	890-341C	15, 17
326-850H	7	803-263C	7	890-931C	9
326-860A	27	803-487C	35	Dwg 24640	37
326-861A	27	804-006C	27	Dwg 39163	19
326-863A	29	804-007C	19, 27	Dwg 39998	7
326-864A	29	804-009C	27	Dwg 39999	9
326-865H	9	804-012C	9	Dwg 70000	13
326-867A	35	804-013C	9	Dwg 70001	15
326-896H	9	804-015C	9, 27, 31	Dwg 70002	27
326-897H	9	804-017C	9, 31	Dwg 70004	29
326-898K	13	804-022C	7	Dwg 70005	31
326-906K	13	804-024C	9	Dwg 70006	35
326-940K	17	804-036C	27	Dwg 70007	39
326-941K	17	804-043C	35	Dwg 70028	17
326-942K	17	804-088C	35	Dwg 70167	33
326-944H	9	804-147C	7	Dwg 72850	11
326-960A	33	806-094C	27	PSM12RSA	37
327-206D	9	807-073C	9	PSM2520137UB	37
327-279D	15	810-715C	27	PSM252058SC	37
327-524D	31	811-411C	27	PSM252075SC	37
327-576D	9	811-570C	33	PSM2520NT	37
327-577D	9	811-624C	27	PSM321650HA	37
327-578D	13	811-862C	27	PSM8300879DH	37
327-582D	13	816-504C	19	PSMAL75SQ	37
327-647D	27	816-884C	27	PSMGPSPD	37
327-660D	13	817-387C	9	PSMST11AG	37
327-668D	17	817-875C	31		
327-669D	17	818-190C	39		
327-670D	17	818-555C	39		
327-671D	17	818-830C	39		
327-672D	17	818-831C	39		
327-673D	17	820-550C	7		
60118313	11	821-070C	41		
6039107	11	821-070CGL	41		
604415	11	821-070CQT	41		
605004	11	821-070CTU	41		
605901	11	826-844C	7, 11		
613316TK	11	838-615C	39		
613317	11	838-948C	39		
613318TK	11	841-539C	29		
613319TK	11	841-676C	27		
614913	11	841-957C	33		
6171200	11	841-958C	33		
6179207	11	850-138C	27		
619321	11	850-139C	27		
800-060C	29	850-140C	27		
800-230C	37	851-755C	29		
801-262C	35	851-819C	27		
802-005C	27	851-820C	27		
802-015C	9	851-821C	27		
802-024C	17	851-822C	27		
802-057C	7	851-851C	29		
802-079C	13, 17	851-855C	29		
802-082C	27	851-936C	35		
802-091C	9	851-947C	27		
802-106C	31	851-948C	27		

This Page Intentionally Left Blank



KUBOTA TRACTOR CORPORATION

1000 Kubota Drive, Grapevine, TX 76051

Telephone: (817) 756-1171

Western Division: 1175 S. Guild Ave., Lodi, CA 95240
Telephone: (209) 334-9910

Central Division: 14855 FAA Blvd., Fort Worth, TX 76155
Telephone: (817) 571-0900

Northern Division: 6300 at One Kubota Way, Groveport, OH 43125
Telephone: (614) 835-1100

Southeast Division: 1025 Northbrook Parkway, Suwanee, GA 30024
Telephone: (770) 995-8855

www.kubota.com
