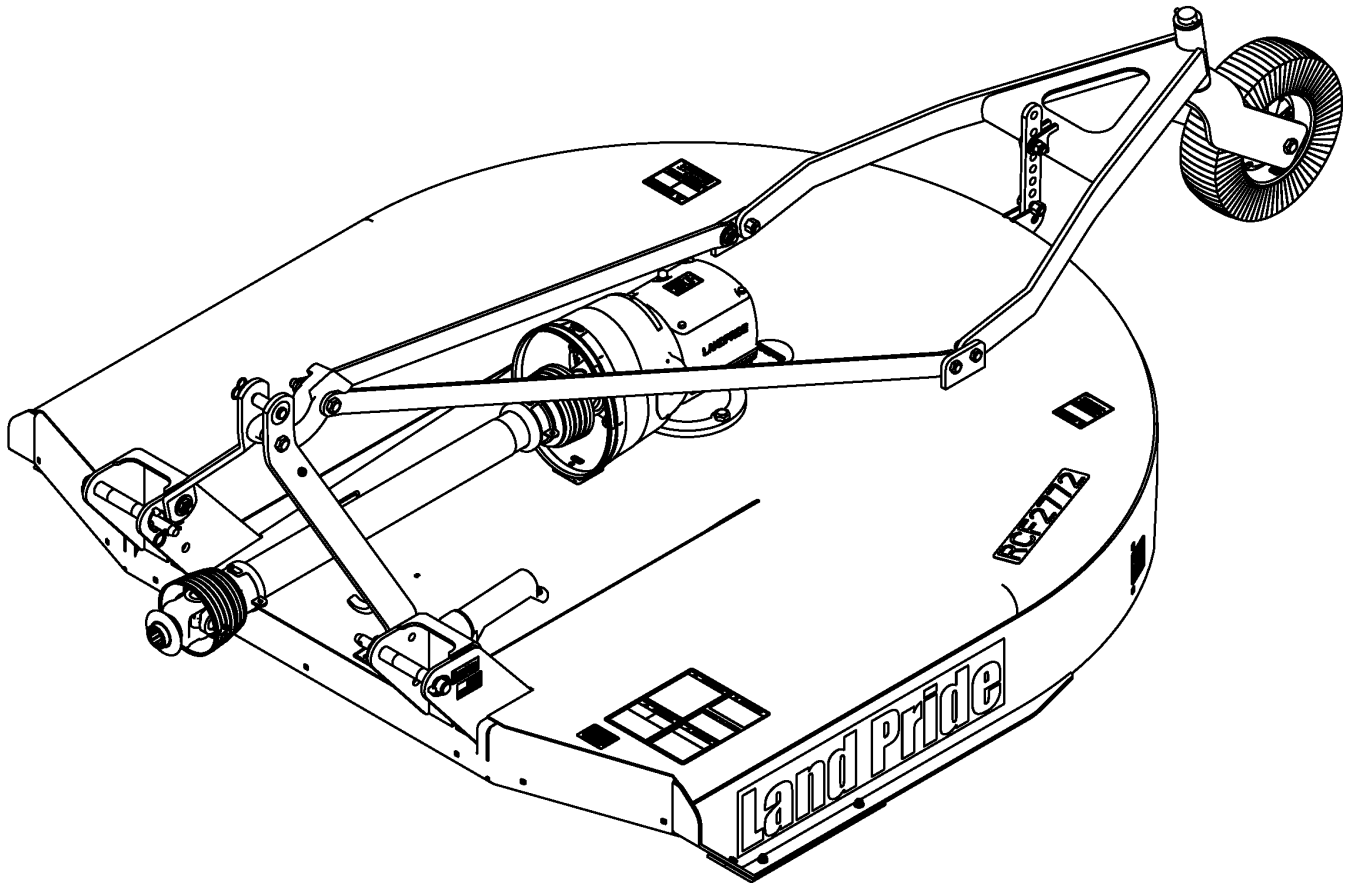


Rotary Cutter

RCF2760 & RCF2772



30685

326-460P **Parts Manual**



Read the Operator's Manual entirely. When you see this symbol, the subsequent instructions and warnings are serious - follow without exception. Your life and the lives of others depend on it!

© Copyright 2019 Printed 02/04/19

Cover photo may show optional equipment not supplied with standard unit.





Table of Contents

Section 1: Introduction.....	4
Using This Manual.....	4
Manual Replacement Information.....	4
Manual Revisions.....	4
Touch-up Paint.....	4
Hardware Legend.....	5
Replacement Hardware.....	5
Serial Numbers.....	5
Part Number Service Coding.....	5
Section 2: Deck.....	6
Deck Components.....	6
Driveline Hanger (327-143S).....	8
Driveline Hanger (327-182S).....	10
Gauge Wheel Mount.....	12
Hitch 3-Point S/N 961386-.....	14
Hitch 3-Point S/N 961387+.....	16
Manual Tube.....	18
Section 3: Blade Drive.....	20
Blade Carrier.....	20
Blade Drive.....	22
Driveline W/ Slip Clutch (826-672C).....	24
Driveline W/ Slip Clutch (826-673C).....	26
Gearbox (826-376C).....	28
Section 4: Guards.....	30
Guard Chain Front.....	30
Guard Chain Rear.....	32
Guard Rubber Front.....	34
Section 5: Options & Accessories.....	36
Top 3PT Cat 2 to Cat 1 Pin Kit.....	36
Section 6: Decals.....	38
Decal Placement.....	38
Land Pride Touch-up Paints.....	40
Part Number Index.....	42

© Copyright 2019. All rights reserved.

Land Pride provides this publication “as is” without warranty of any kind, either expressed or implied. While every precaution has been taken in the preparation of this manual, Land Pride assumes no responsibility for errors or omissions. Neither is any liability assumed for damages resulting from the use of the information contained herein. Land Pride reserves the right to revise and improve its products as it sees fit. This publication describes the state of this product at the time of its publication, and may not reflect the product in the future. The illustrations in this manual are not intended for safe and proper assembly or disassembly of equipment. The illustrations are intended for ordering parts only.

Land Pride is registered trademark.

All other brands and product names are trademarks or registered trademarks of their respective holders.

Printed in the United States of America.



Alphabetized Table of Contents

B	
Blade Carrier.....	20
Blade Drive.....	22
D	
Decal Placement.....	38
Deck Components.....	6
Driveline Hanger (327-143S).....	8
Driveline Hanger (327-182S).....	10
Driveline W/ Slip Clutch (826-672C).....	24
Driveline W/ Slip Clutch (826-673C).....	26
G	
Gauge Wheel Mount.....	12
Gearbox (826-376C).....	28
Guard Chain Front.....	30
Guard Chain Rear.....	32
Guard Rubber Front.....	34
H	
Hitch 3-Point S/N 961386-.....	14
Hitch 3-Point S/N 961387+.....	16
L	
Land Pride Touch-up Paints.....	40
M	
Manual Tube.....	18
T	
Top 3PT Cat 2 to Cat 1 Pin Kit.....	36

General Information

Using This Manual

This manual is divided into sections. The first section contains General Information. The remaining sections divide the machine into segments (i.e. Frames, Drives, Hydraulics, etc.) which illustrate and list all parts. A Parts Number Index is located at the back of the book.

The Land Pride parts in this manual are specially designed for this machine and should be replaced with Land Pride parts only.

The information in this manual is current at time of printing. Some parts may change to assure top performance.

Right-hand and left-hand as used in this manual are determined by facing the direction the machine will travel while in use.

Below is an example of two facing pages from a parts manual. Familiarize yourself with the type of information contained on these pages.

Manual Replacement Information

Replacement manuals are available. Refer to our website at www.landpride.com or e-mail us at lit@landpride.com for additional information. Our website continues to provide the most up-to-date manuals available.

Touch-up Paint

Repaint parts where paint is worn or scratched to prevent rust. Aerosol cans and touch-up bottles with brush applicator are available through your local dealer. Also available are quart and gallon size paints. Add QT or GL to end of the Aerosol P/N.

Land Pride color descriptions and part numbers are listed on the "Land Pride Touch-up Paints" page in the "Decals" section of this book. Color options vary by product.



General Information

Hardware Legend

AR	As Required
BLADE	Blade Bolt
C	Cap Screw
CP	Cotter Pin
CPHSSS	Cup Point Hex Socket Set Screw
CPSHSS	Cup Point Square Head Set Screw
CPSQHSS	Cup Point Square Head Set Screw
CRFCHMS3	Cross Recess Flat Countersunk Head Machine Screw
CRPHMS	Cross Recess Pan Head Machine Screw
CRPHTF	Cross Recess Pan Head Thread Forming
CRRHMS	Cross Recess Round Head Machine Screw
CRTHMS	Cross Recess Truss Head Machine Screw
CSNB	Countersunk Square Neck Bolt
FHMS	Flat Head Machine Screw
FTC	Full Thread Cap Screw
H	Hex Nut
HCLN	Hex Center Lock Nut
HFLCS	Hex Flange Lock Cap Screw
HFS	Hex Flange Screw
HFSLN	Hex Flange Serrated Lock Nut
HFSS	Hex Flange Serrated Screw
HHCS	Hex Head Cap Screw or Metric Bolt
HSBHCS	Hex Socket Button Head Cap Screw
HSFCHCS	Hex Socket Flat Countersunk Head Cap Screw
HSHCS	Hex Socket Head Cap Screw
HSSS	Hex Socket Head Screw
HTLN	Hex Top Lock Nut
HWHCS	Hex Washer Head Cap Screw

HWHMS	Hex Washer Head Machine Screw
HXBHCS	Hex Socket Button Head Cap Screw
J	Hex Jam Nut
JIC	37 Degree Tapered Thread
L	Helical Spring Lock Washer
LUG	Lug Bolt
NFC	National Fine Cap Screw
NPSM	National Pipe Straight Mechanical
NPTF	National Pipe Taper Fuel
P	Wide Plain Washer
PHMS	Pan Head Machine Screw
PLOW	Plow Bolt
RHMS	Round Head Machine Screw
RHSNB	Round Head Square Neck Bolt
SCREW LEVELING	Leveling Screw
SCREW THUMB	Thumb Screw
SCREW WELD	Weld Screw
SFCHMS	Slotted Flat Countersunk Head Machine Screw
SFHMS	Slotted Fillister Head Machine Screw
SP	Special
SP SCREW	Special Screw
SQHSS	Square Head Set Screw
SRHMS	Slotted Round Head Machine Screw
SSS	Socket Set Screw
STCS	Self Tapping Cap Screw
STHMS	Slotted Truss Head Machine Screw
WHEEL	Wheel Studs and Hub Long Bolts
WING	Wing Bolt

Replacement Hardware

The **Hardware Legend** above lists hardware abbreviations used in the parts list. All bolts and nuts are Grade 5 unless otherwise noted. The use of improper grades of hardware can result in personal injury, damage to equipment, or loss of property.

Colored Replacement Parts

Land Pride offers replacement parts in factory standard colors and also on select models in Green, Orange, Red and Blue. Because of the variety of colors available, special attention must be given to the part number to prevent ordering the wrong replacement part.

A suffix number corresponding to one of the colors below must be added at the end of Land Pride's part number when ordering a replacement part with that color.

81 Green 83 Red
82 Orange 84 Blue

For example, if you are ordering a replacement part with part number 555-555C and the part you need is red, then add the suffix 83 to the end of the number to make the part number read 555-555C83. Parts ordered without a suffix number will be supplied in factory standard colors.

Black Replacement Parts

Some parts are factory standard black and some must be special ordered black. If your part is special ordered black, a second part number with the additional suffix number 85 on the end will be available. In this situation you must order that part with the suffix number for it to be black. Parts that are factory standard black will not have the suffix number.

Part Number Service Coding

Within the parts list some part numbers are coded for revisions and interchangeability. See notations in revision column.

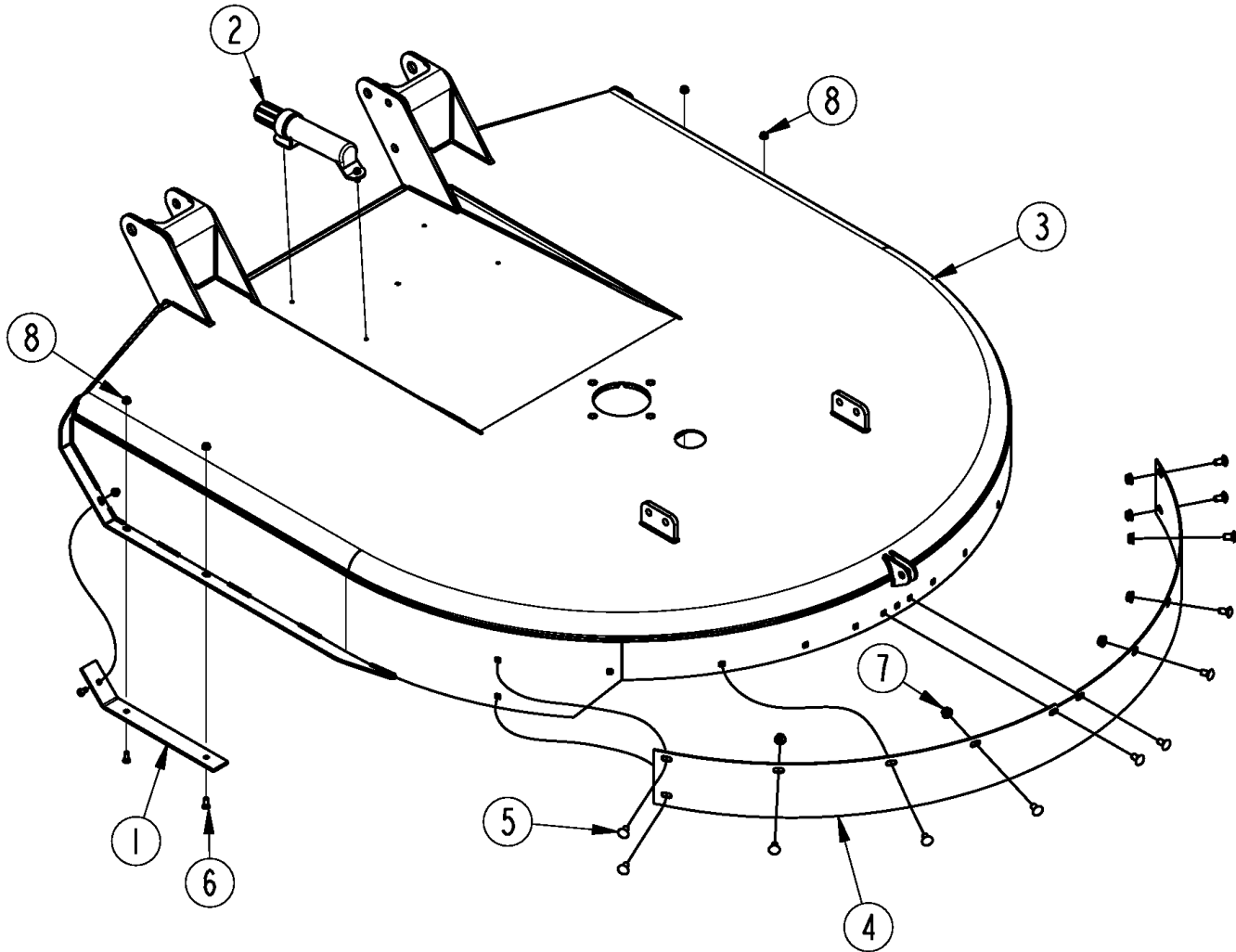
Serial Numbers

Always use the serial and model number when ordering parts. Refer to the Operator's Manual for serial number plate location.

- | | |
|----------------------|--|
| (S/N 20001+) | Includes serial numbers 20001 and above (to the latest number) |
| (S/N 10001 to 20000) | Includes serial numbers between and including 10001 and 20000 |
| (S/N 10000-) | Includes serial numbers 10000 and below (to the earliest number) |

Deck Components

Applies to RCF2760, RCF2772



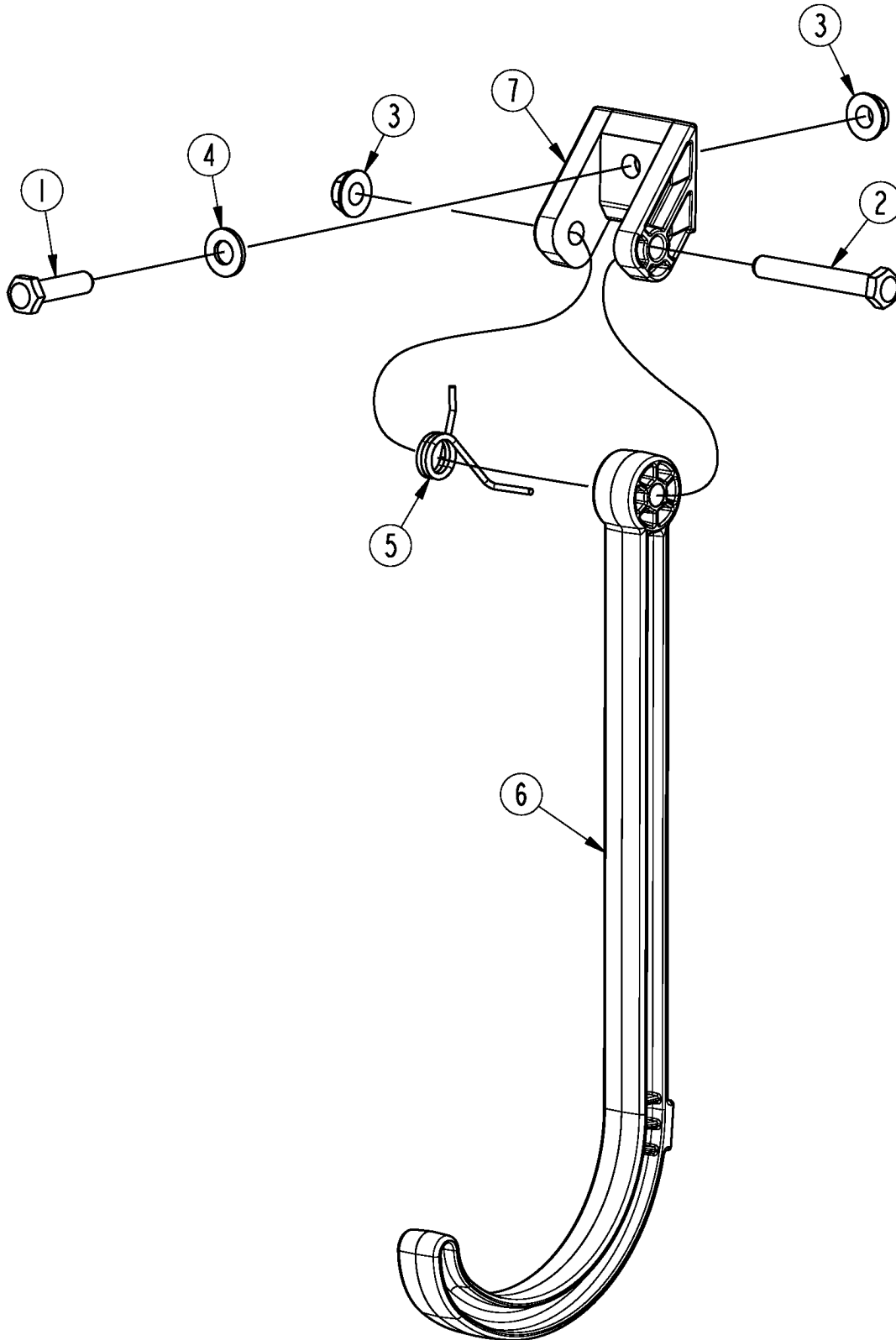
30686

Deck Components**Applies to RCF2760, RCF2772**

Ref	Part No.	Part Description	Comments	Revision
	Dwg 30686	Drawing Image Number		
1.	312-602D	SKID SHOE		
2.	326-095S	MANUAL CONTAINER KIT, 1 1/4	See "Manual Tube" page for parts breakdown	
3.	326-237H	RCF2772 DECK WELDMEN	RCF2772	
3.	326-237H81	RCF2772 DECK WLDMT GREEN	RCF2772	
3.	326-237H82	RCF2772 DECK WLDMT ORANGE	RCF2772	
3.	326-237H83	RCF2772 DECK WLDMT RED	RCF2772	
3.	326-273H	RCF2760 DECK WLDMT	RCF2760	
3.	326-273H81	RCF2760 DECK WLDMT GREEN	RCF2760	
3.	326-273H82	RCF2760 DECK WLDMT ORANGE	RCF2760	
3.	326-273H83	RCF2760 DECK WLDMT RED	RCF2760	
4.	326-697D	METAL GUARD REAR 60"	RCF2760 (S/N 1152877+)	
4.	326-698D	METAL GUARD REAR 72"	RCF2772 (S/N 1152877+)	
5.	802-183C	RHSNB 1/2-13X1 GR5	S/N 1152877+	
6.	802-603C	PLOW 3/8-16X1 GR5		
7.	803-037C	NUT HEX WHIZ 1/2-13 PLT GR5	S/N 1152877+	
8.	803-198C	NUT HEX WHIZ 3/8-16 PLT		

Driveline Hanger (327-143S)

Applies to RCF2760, RCF2772



72257

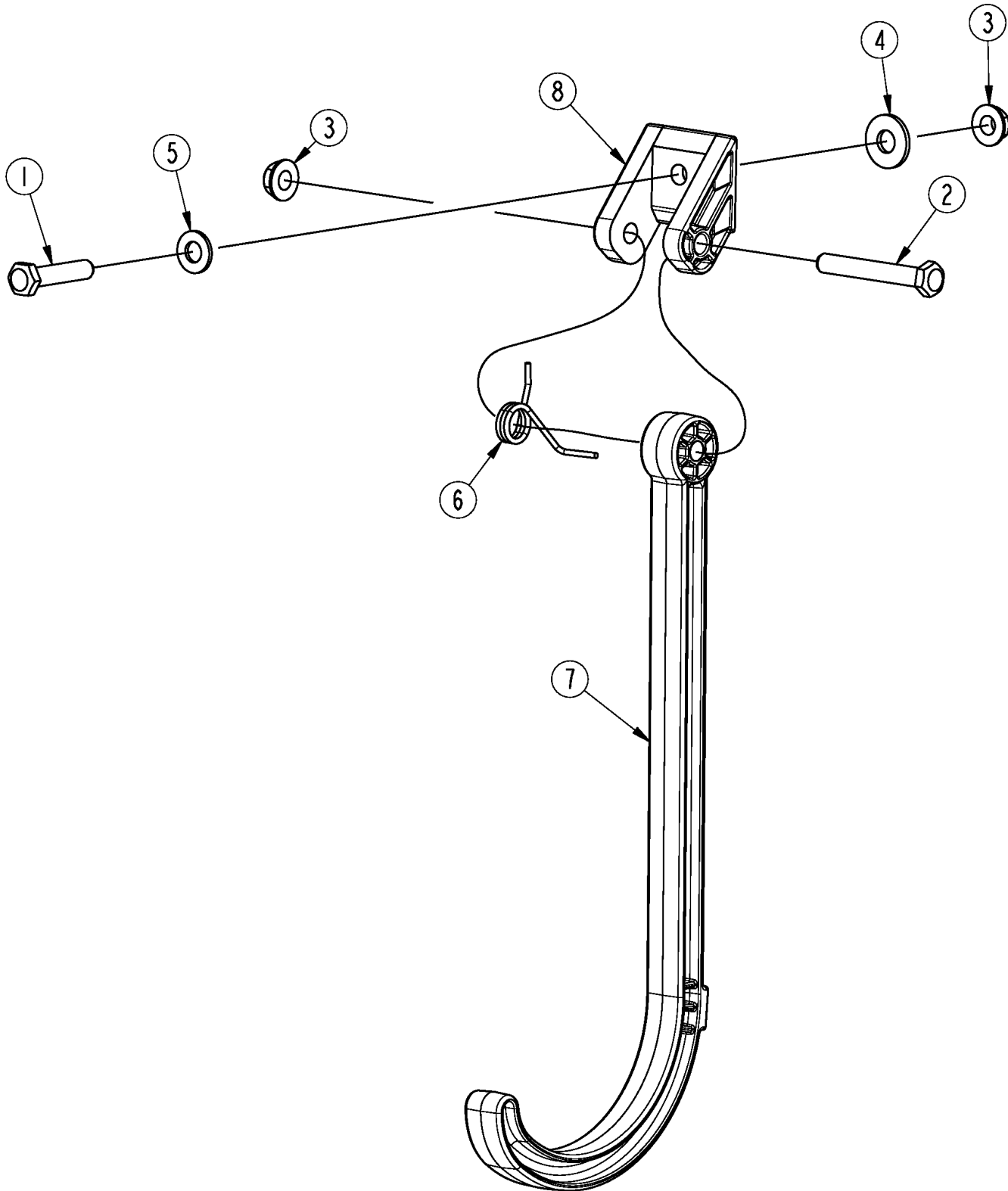
Driveline Hanger (327-143S)

Applies to RCF2760, RCF2772

Ref	Part No.	Part Description	Comments	Revision
	Dwg 72257 327-143S	Image No. DRIVELINE HOLDER W/HARDWARE *		
1.	802-010C	HHCS 5/16-18X1 1/4 GR5		
2.	802-138C	HHCS 5/16-18X2 1/4 GR5		
3.	803-177C	NUT HEX FLG TP LK 5/16-18ZN		
4.	804-036C	WASHER FLAT 5/16 SAE PLT		
5.	807-350C	SPRING TORSION DRVLN HLDER		
6.	837-062C	DRIVELINE HOOK		
7.	837-063C	MOUNT DRIVELINE HOOK		

Driveline Hanger (327-182S)

Applies to RCF2760, RCF2772



72260

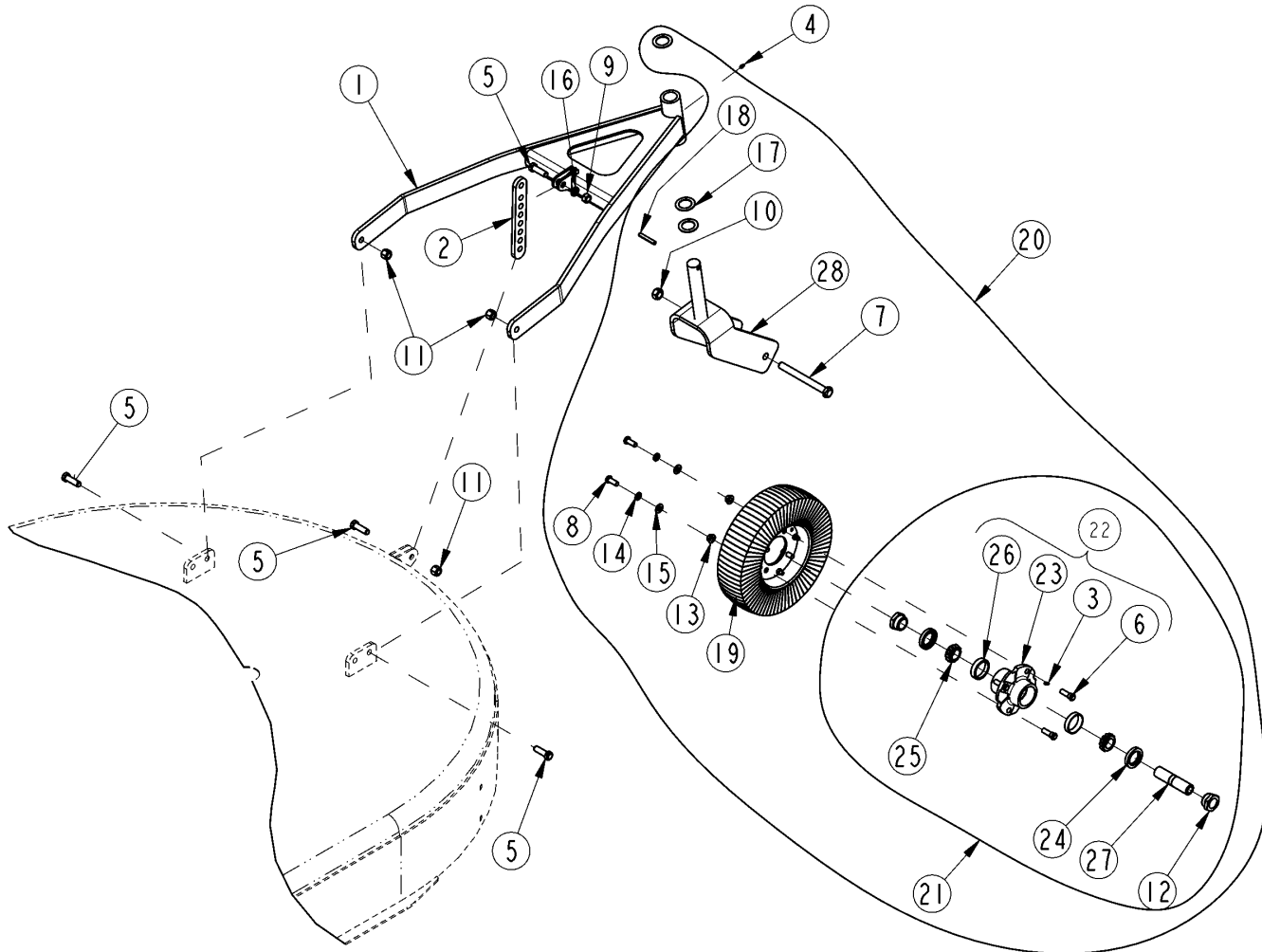
Driveline Hanger (327-182S)

Applies to RCF2760, RCF2772

Ref	Part No.	Part Description	Comments	Revision
	Dwg 72257 327-182S	Image No. DRIVELINE HANGER W/HARDWARE *		
1.	802-012C	HHCS 5/16-18X1 1/2 GR5		
2.	802-138C	HHCS 5/16-18X2 1/4 GR5		
3.	803-177C	NUT HEX FLG TP LK 5/16-18ZN		
4.	804-010C	WASHER FLAT 5/16 USS PLT		
5.	804-036C	WASHER FLAT 5/16 SAE PLT		
6.	807-350C	SPRING TORSION DRVLN HLDER		
7.	837-062C	DRIVELINE HOOK		
8.	837-063C	MOUNT DRIVELINE HOOK		

Gauge Wheel Mount

Applies to RCF2760, RCF2772



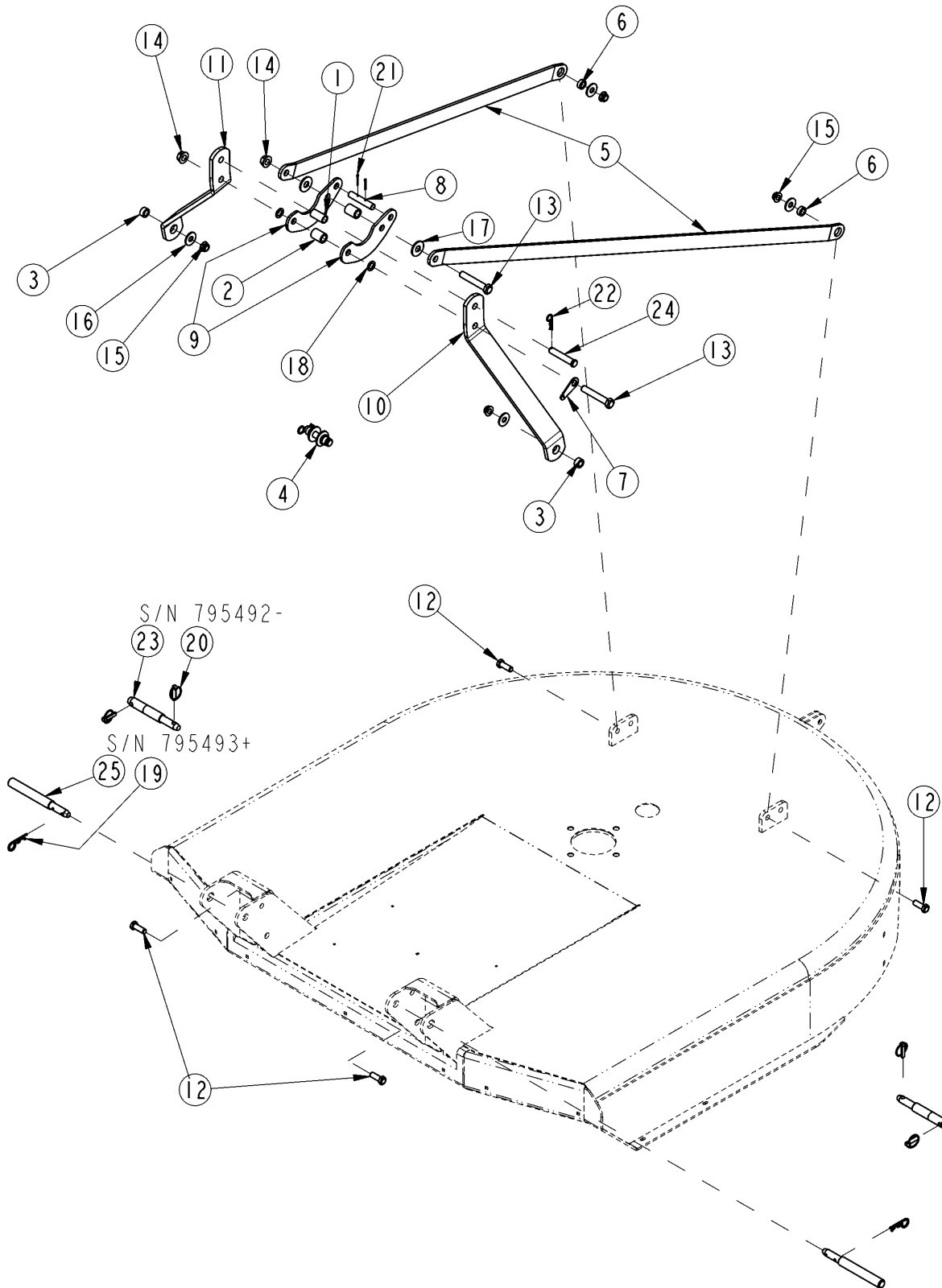
30693

Gauge Wheel Mount**Applies to RCF2760, RCF2772**

Ref	Part No.	Part Description	Comments	Revision
	dwg30693	Drawing Image Number		
1.	326-294H	TAILWHEEL 27 SERIES		
2.	326-614D	TAILWHEEL ADJUSTMENT BAR		
3.	800-001C	GREASE ZERK STRAIGHT 1/4-28		
4.	800-080C	GREASE ZERK 1/4-28 THD FORMING		
5.	802-055C	HHCS 5/8-11X2 GR5		
6.	802-135C	HUB STUD 1/2-20X1 5/8 GR5		
7.	802-280C	HHCS 3/4-10X7 1/2 GR5		
8.	802-326C	HHCS 1/2-20X1 1/4 GR5	Optional	
9.	803-021C	NUT HEX 5/8-11 PLT		
10.	803-026C	NUT LOCK 3/4-10 PLT		
11.	803-148C	NUT HEX NYLOCK 5/8-11 PLT		
12.	803-289C	NUT HEX 1 1/4-7(MACHINED)PLAIN		
13.	803-308C	NUT HEX FLG/LK 1/2-20 PLT GR G		
14.	804-015C	WASHER LOCK SPRING 1/2 PLT	Optional	
15.	804-016C	WASHER FLAT 1/2 SAE PLT	Optional	
16.	804-022C	WASHER LOCK SPRING 5/8 PLT		
17.	804-066C	WASHER MACH 2.25 X 1.50 X 14GA		
18.	805-255C	PIN ROLL 3/8 X 2 1/2 PLT		
19.	814-058C	TIRE & WHEEL LAMINATED 4.0 X 8		
20.	814-161C	LAM 4X8 TR-WL-HUB-YOKE 25 SER.		
21.	815-092C	HUB & SPINDLE ASSY 4 BOLT		
22.	815-230C	HUB 4 BLT W/CUPS, ZERK & STUDS		
23.	N/A	HUB 4BLT DUCTILE(USE 815-230C)		
24.	816-286C	OIL SEAL DBL LIP 2.441 BORE		
25.	822-091C	BRG 1.25ID CONE 15123		
26.	822-092C	BRG CUP 2.44OD 15245		
27.	827-036C	BUSHING TW 1.25ODX.78IDX5 1/4		
28.	890-961C	RC25 TAILWHEEL YOKE		

Hitch 3-Point S/N 961386-

Applies to RCF2760, RCF2772



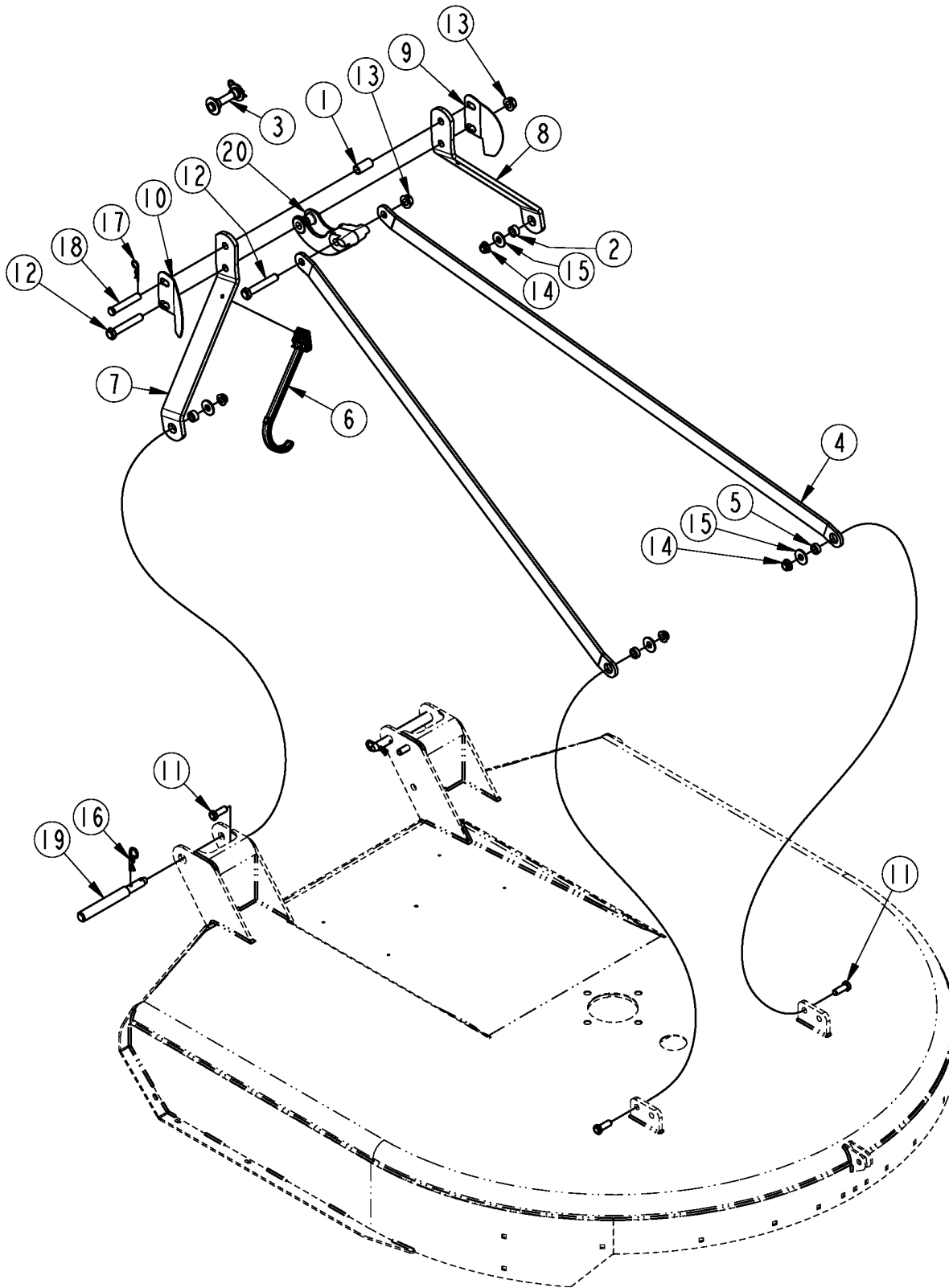
30696

Hitch 3-Point S/N 961386-**Applies to RCF2760, RCF2772**

Ref	Part No.	Part Description	Comments	Revision
	Dwg 30696	Drawing Image Number		
1.	122-076D	PW PIVOT TUBE LONG		
2.	326-329D	SPACER 1 1/4ODX13/16IDX1 5/8		
3.	326-546D	BSH 1.12ODX.69IDX.55L		
4.	326-607A	TOP 3PT CAT2 TO CAT1 CONV KIT	Service Kit See Section 5	
5.	326-626D	REAR BRACE 72	RCF2772	
5.	326-659D	REAR BRACE 60	RCF2760	
6.	326-629D	BSH 1.12ODX.69IDX.41L		
7.	326-822D	DRIVELINE CHAIN CLIP 3/4"HL		
8.	326-873D	PIN, STOP 3/4"		
9.	326-874D	REAR BRACE PIVOT BAR		
10.	327-319D	HITCH STRAP LH	S/N 783270+	
10.	326-572D	HITCH STRAP LH	S/N 783269-	
11.	327-320D	HITCH STRAP RH	S/N 783270+	
11.	326-573D	HITCH STRAP RH	S/N 783269-	
12.	802-053C	HHCS 5/8-11X1 3/4 GR5		
13.	802-192C	HHCS 3/4-10X4 1/2 GR5		
14.	803-181C	NUT HEX FLANGE LOCK 3/4-10 PLT		
15.	803-263C	NUT HEX FLANGE LOCK 5/8-11 PLT		
16.	804-019C	WASHER FLAT 5/8 USS PLT		
17.	804-024C	WASHER FLAT 3/4 USS PLT		
18.	804-156C	WASHER MACH 1 1/4X3/4X14GA		
19.	805-088C	PIN, HAIR COTTER 3/16 WIRE DIA	S/N 795493+	
20.	805-103C	PIN LINCH 7/16 X 1 3/4	S/N 795492-	
21.	805-109C	PIN COTTER 1/8 X 1 1/4 PLT		
22.	805-143C	PIN HAIR COTTER .120 PLT	S/N 783270+	
22.	805-088C	PIN, HAIR COTTER 3/16 WIRE DIA	S/N 783269-	
23.	805-227C	PIN HITCH CATEGORY I-II	S/N 795492-	
24.	805-228C	PIN CLVS .75X3.94 USBL	S/N 783270+	
24.	805-124C	PIN CLEVIS 1 X 3 11/16 GR5 PLT	S/N 783269-	
25.	805-485C	PIN, HITCH 3PT CAT 1&2	S/N 795493+	

Hitch 3-Point S/N 961387+

Applies to RCF2760, RCF2772



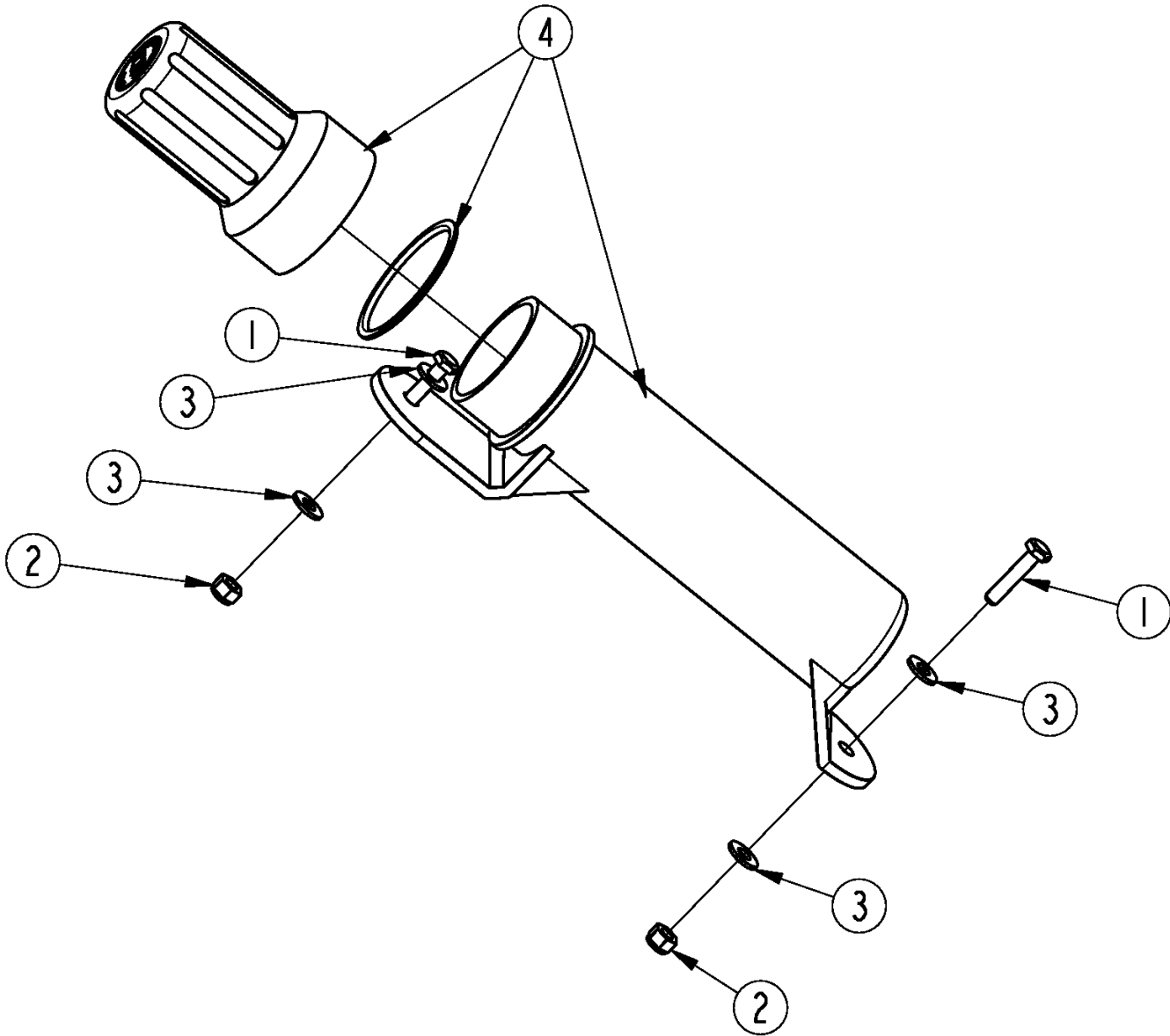
37993

Hitch 3-Point S/N 961387+**Applies to RCF2760, RCF2772**

Ref	Part No.	Part Description	Comments	Revision
	Dwg 37993	Drawing Image Number		
1.	122-076D	PW PIVOT TUBE LONG		
2.	326-546D	BSH 1.12ODX.69IDX.55L		
3.	326-607A	TOP 3PT CAT2 TO CAT1 CONV KIT	Service Kit See Section 5	
4.	326-659D	REAR BRACE 60	RCF2760	
4.	326-626D	REAR BRACE 72	RCF2772	
5.	326-629D	BSH 1.12ODX.69IDX.41L		
6.	327-182S	DRIVELINE HANGER W/HARDWARE	S/N _____+ See "Driveline Hanger (327-182S)" page for parts breakdown	
6.	327-143S	DRIVELINE HOLDER W/HARDWARE	S/N _____- See "Driveline Hanger (327-143S)" page for parts breakdown	
7.	327-319D	HITCH STRAP LH		
8.	327-320D	HITCH STRAP RH		
9.	327-763D	SHIELD UPPER RH	S/N 1341733+ Include decal 858-148C see decal placement	
10.	327-764D	SHIELD UPPER LH	S/N 1341733+ Include decal 858-148C see decal placement	
11.	802-053C	HHCS 5/8-11X1 3/4 GR5		
12.	802-192C	HHCS 3/4-10X4 1/2 GR5		
13.	803-181C	NUT HEX FLANGE LOCK 3/4-10 PLT		
14.	803-263C	NUT HEX FLANGE LOCK 5/8-11 PLT		
15.	804-019C	WASHER FLAT 5/8 USS PLT		
16.	805-088C	PIN, HAIR COTTER 3/16 WIRE DIA		
17.	805-143C	PIN HAIR COTTER .120 PLT		
18.	805-228C	PIN CLVS .75X3.94 USBL		
19.	805-485C	PIN HTCH C1-C2 10.18 L		
20.	812-500C	FLOAT TOP HITCH CAST DUCTILE		

Manual Tube

Applies to RCF2760, RCF2772



39163

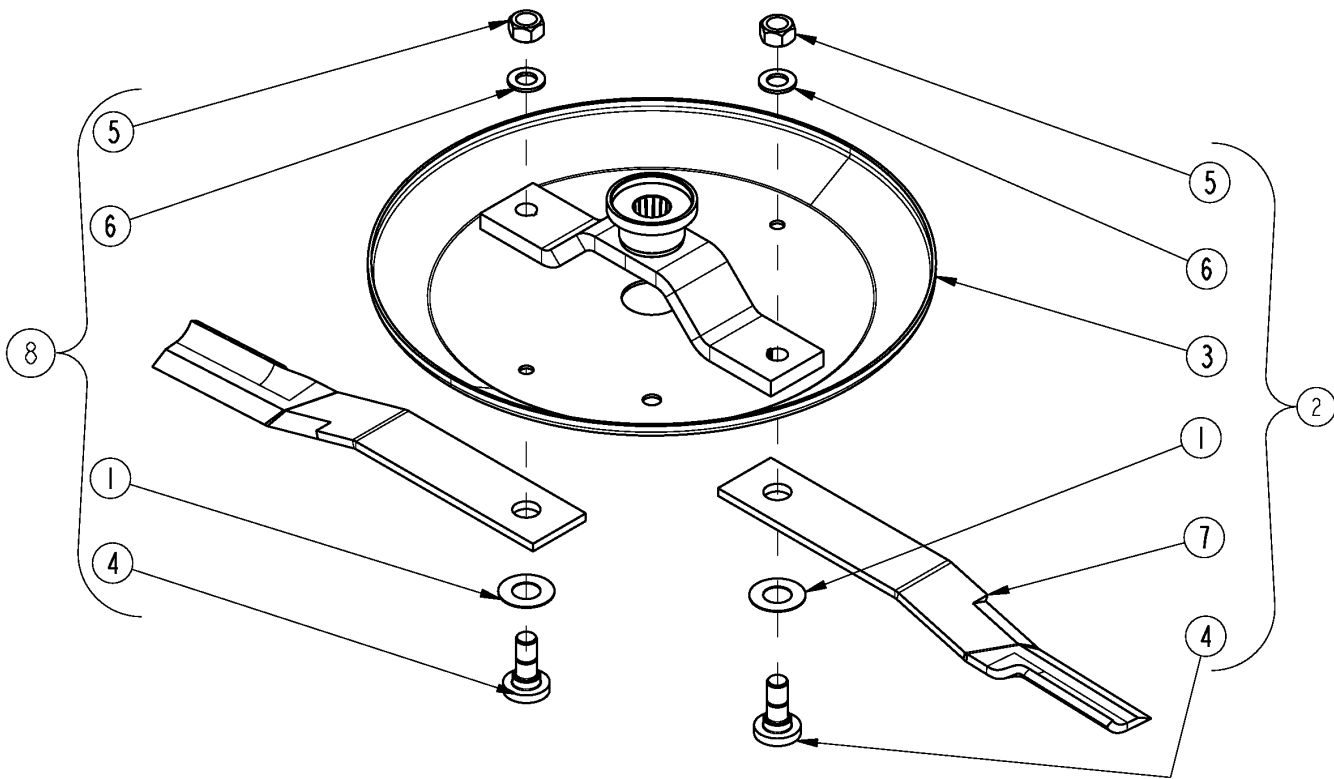
Manual Tube

Applies to RCF2760, RCF2772

Ref	Part No.	Part Description	Comments	Revision
	Dwg 39163 326-095S	Image No. MANUAL CONTAINER KIT, 1 1/4 *		
1.	802-224C	HHCS 1/4-20X1 1/4 GR5		
2.	803-255C	NUT HEX NYLOCK 1/4-20		
3.	804-007C	WASHER FLAT 1/4 SAE PLT		
4.	816-504C	MANUAL STORAGE CONTAINER		

Blade Carrier

Applies to RCF2760, RCF2772



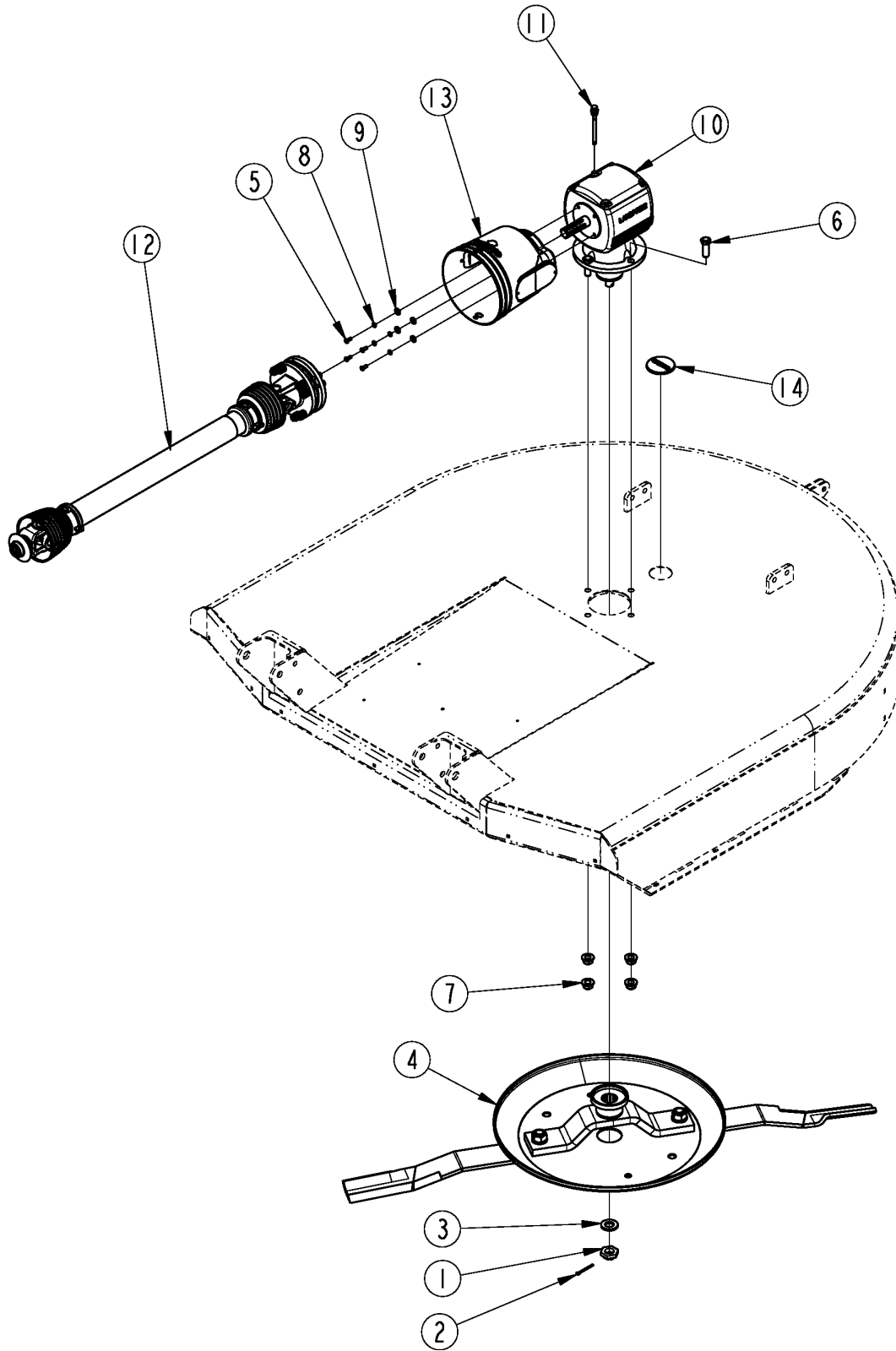
30690

Blade Carrier**Applies to RCF2760, RCF2772**

Ref	Part No.	Part Description	Comments	Revision
	Dwg 30690	Drawing Image Number		
1.	312-075D	BLADE SPACER 16 GA. .06 Thick	As Required S/N 776426-	
1.	312-082D	BLADE SPACER 18 GA. .05 Thick	As Required S/N 776426-	
1.	312-089D	BLADE SPACER 20 GA. .04 Thick	As Required S/N 776426-	
1.	312-808D	BLADE SPACER 24 GA. .03 Thick	As Required S/N 776426-	
2.	N/A	BLADE ASSEMBLY		
3.	327-144H	WLDMT. DISHPAN RCR2672	RCF2772 S/N 914446+	
3.	312-811H	RPBY 327-144H	RCF2772 S/N 914445-	
3.	312-820H	15 DISHPAN WLDMT LG.HUB(COMER)	RCF2760	
4.	802-277C	BLD BLT 1 1/8-12X3.44 W/.25KEY		
5.	803-170C	NUT HEX TOP LOCK 1 1/8-12 PLT.		
6.	804-147C	WASHER FLAT 1" HARDENED		
7.	820-168C	CUTTER BLADE 1/2X4X29 CCW	RCF2772	
7.	820-137C	CUTTER BLADE 1/2 X 4 X 25 CCW	RCF2760	
8.	318-586A	BLADE BOLT KIT		

Blade Drive

Applies to RCF2760, RCF2772



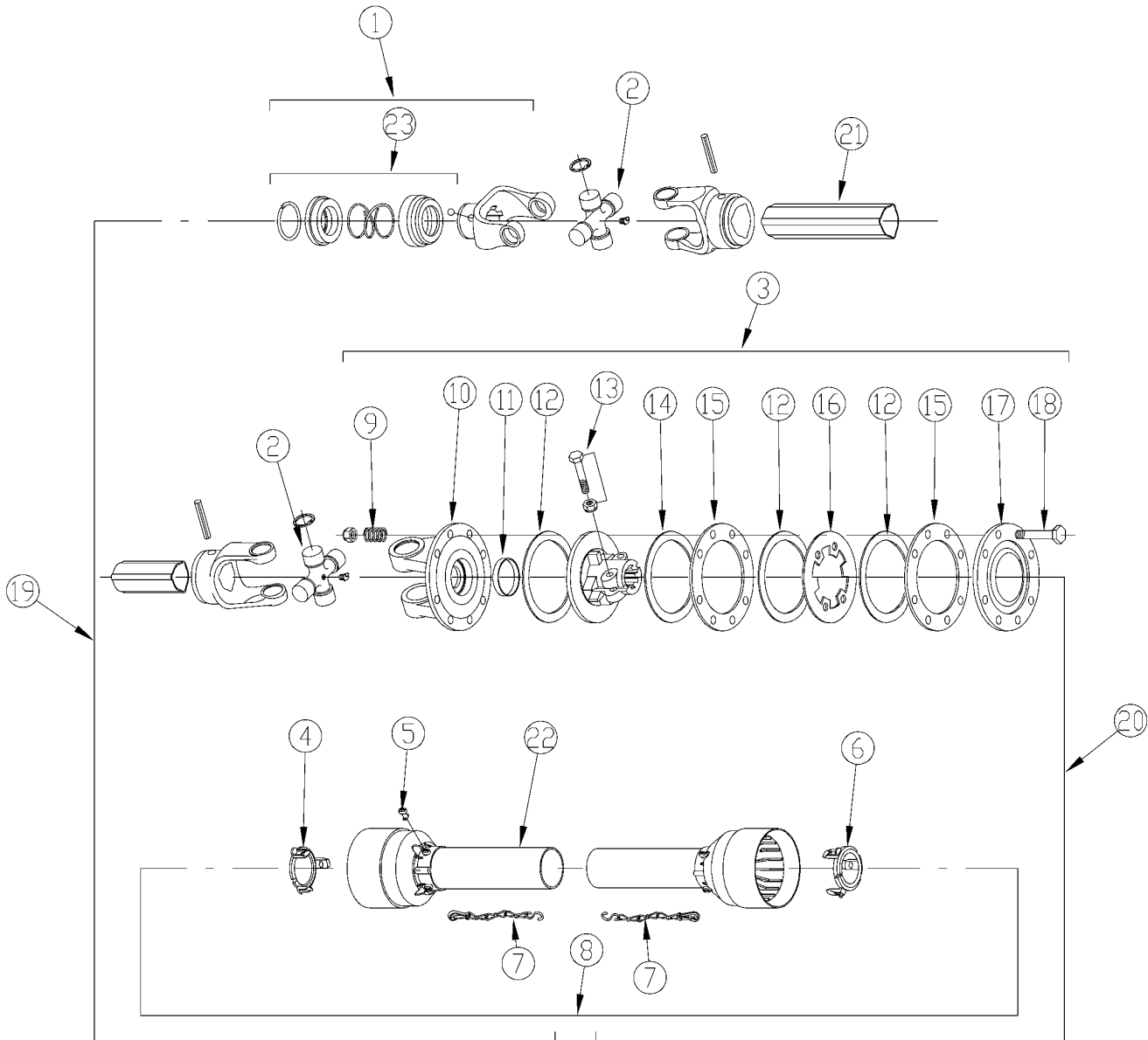
30691

Blade Drive**Applies to RCF2760, RCF2772**

Ref	Part No.	Part Description	Comments	Revision
	Dwg 30691	Drawing Image Number		
1.	8.2.2.00555	CO NUT, CASTLE M30 X 2		
2.	8.4.7.00146	CO COTTER PIN B6 X 60		
3.	0.139.7101.00	CO BLANK WASHER		
4.		SEE BLADE CARRIER FOR COMPONENTS		
5.	802-007C	HHCS 5/16-18X3/4 GR5		
6.	802-065C	HHCS 3/4-10X2 1/4 GR5		
7.	803-299C	NUT HEX FLG TOP LK 3/4-10 PLT		
8.	804-009C	WASHER LOCK SPRING 5/16 PLT		
9.	804-010C	WASHER FLAT 5/16 USS PLT		
10.	826-376C	GBOX RC25 1.38-6 1:1.44 STD.		
11.	826-490C	COMER U0.210.7100.00 DIPSTICK		
12.	826-673C	DRVLN C4 44 1.38-6 QD CLTCH	RCF2772	
12.	826-672C	CAT 4 X 39.7, DRVLN SLIP CLUTC	RCF2760	
13.	837-101C	LAND PRIDE CONE		
13.	826-648C	LARGE SHAFT CONE W ACCESS DOOR	This cone has been replaced with 837-101C	
14.	840-273C	PLUG LP 3" ID RUBBER		

Driveline W/ Slip Clutch (826-672C)

Applies to RCF2760



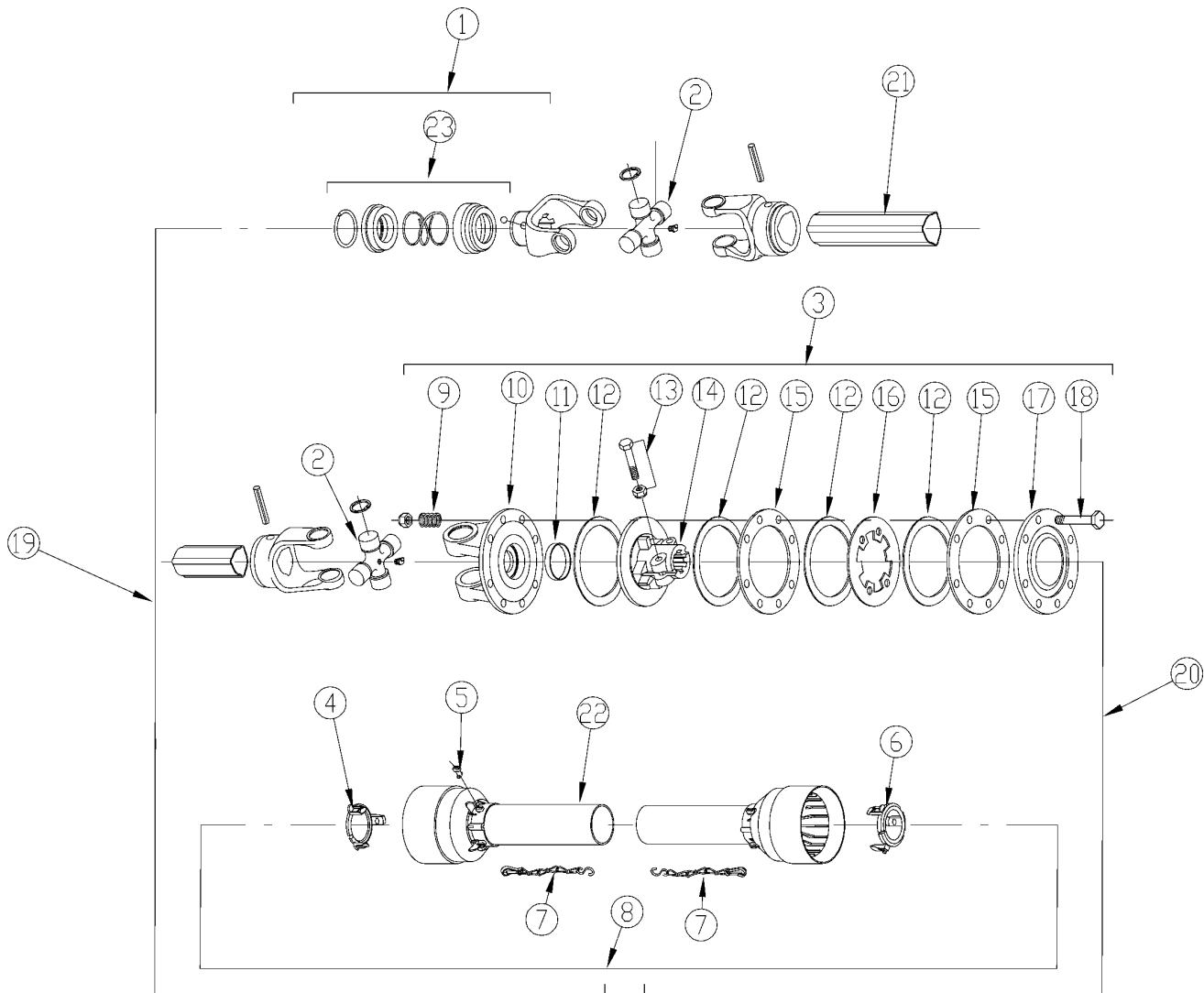
30695

Driveline W/ Slip Clutch (826-672C)**Applies to RCF2760**

Ref	Part No.	Part Description	Comments	Revision
	Dwg 30695 826-672C	Drawing Image Number CAT 4 X 39.7, DRVLN SLIP CLUTC *		
1.	141.025.363.1	CO COMPLETE COLLAR YOKE C12		
2.	180.015.130	COMER CROSS JOURNAL SET		
3.	146.254.015.1	CO DISC CLUTCH F42 (11350 NM)		
4.	8180.015.288	CO GUARD RETAIN COLLAR OUT TB		
5.	8180.014.240	COMER BOLT		
6.	8180.015.289	CO GUARD RETAIN COLLAR INNR TB		
7.	044321	DRIVELINE SHIELD SAFETY CHAIN	S/N 946472-	
8.	142.250.3657521	CO COMPLETE GUARD W/TINSTRUCT		
8.	142.250.3777521	RPBY 142.250.3657521		
9.	180.014.022	COMER SPRING		
10.	151.015.038.1	CO FLANGED YOKE		
11.	180.019.019	COMER BUSH		
12.	180.019.340	COMER LINING RING		
13.	165.000.502	COMER NUT & BOLT M12X1.25X65		
14.	151.019.011.1	CO CLUTCH SUPPORT F42		
15.	180.019.014	COMER INNER PLATE		
16.	180.019.115	COMER INTERMEDIATE PLATE		
17.	180.019.116.1	COMER PRESSURE PLATE		
18.	165.000.548	COMER BOLT WITH NUT M10X100		
19.	8123.350.101.11	CO HALF FEMALE SHFT W/GUARD		
20.	8123.450.324.11	CO HALF MALE SHAFT W/GUARD		
21.	190.000.098	COMER DANGER LABEL OUTER TUBE		
22.	190.000.099	COMER DANGER LABEL GUARD OUTER		
23.	165.000.628	COMER COLLER KIT 3/8 YOKE		

Driveline W/ Slip Clutch (826-673C)

Applies to RCF2772



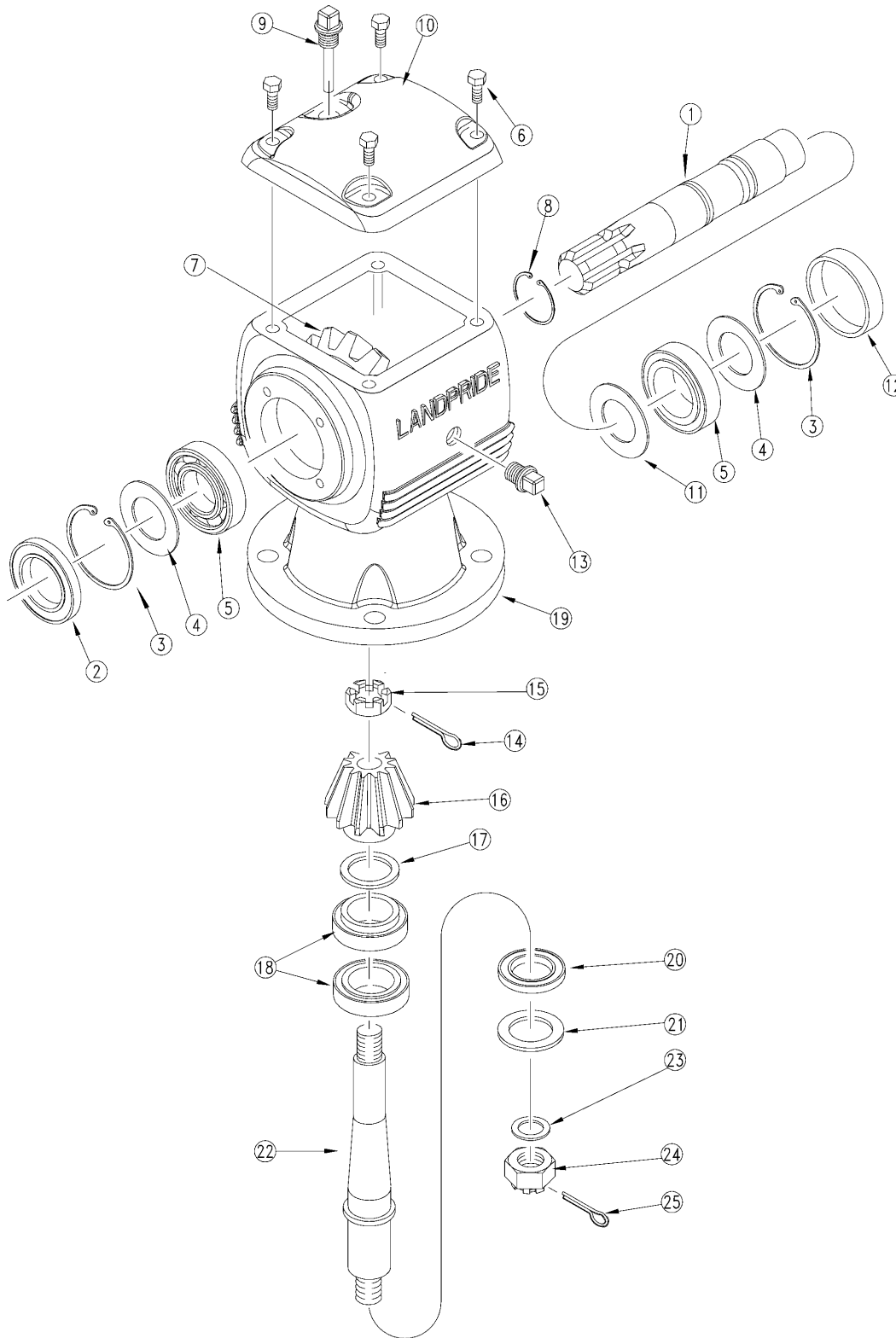
30694

Driveline W/ Slip Clutch (826-673C)**Applies to RCF2772**

Ref	Part No.	Part Description	Comments	Revision
	Dwg 30694 826-673C	Drawing Image Number DRVLN C4 44 1.38-6 QD CLTCH *		
1.	141.025.363.1	CO COMPLETE COLLAR YOKE C12		
2.	180.015.130	COMER CROSS JOURNAL SET		
3.	146.254.015.1	CO DISC CLUTCH F42 (11350 NM)		
4.	8180.015.288	CO GUARD RETAIN COLLAR OUT TB		
5.	8180.014.240	COMER BOLT		
6.	8180.015.289	CO GUARD RETAIN COLLAR INNR TB		
7.	044321	DRIVELINE SHIELD SAFETY CHAIN	S/N 928934-	
8.	142.250.3657521	COMPLETE GUARD W/INSTRUC		
9.	180.014.022	COMER SPRING		
10.	151.015.038.1	CO FLANGED YOKE		
11.	180.019.019	COMER BUSH		
12.	180.019.340	COMER LINING RING		
13.	165.000.502	COMER NUT & BOLT M12X1.25X65		
14.	151.019.011.1	CO CLUTCH SUPPORT F42		
15.	180.019.014	COMER INNER PLATE		
16.	180.019.115	COMER INTERMEDIATE PLATE		
17.	180.019.116.1	COMER PRESSURE PLATE		
18.	165.000.548	COMER BOLT WITH NUT M10X100		
19.	8123.350.097.11	CO HALF FEMALE SHFT W/GUARD		
20.	8123.450.295.11	CO HALF MALE SHAFT W/GUARD		
21.	190.000.098	COMER DANGER LABEL OUTER TUBE		
22.	190.000.099	COMER DANGER LABEL GUARD OUTER		
23.	165.000.628	COMER COLLOR KIT 1-3/8 YOKE		

Gearbox (826-376C)

Applies to RCF2760, RCF2772



21186

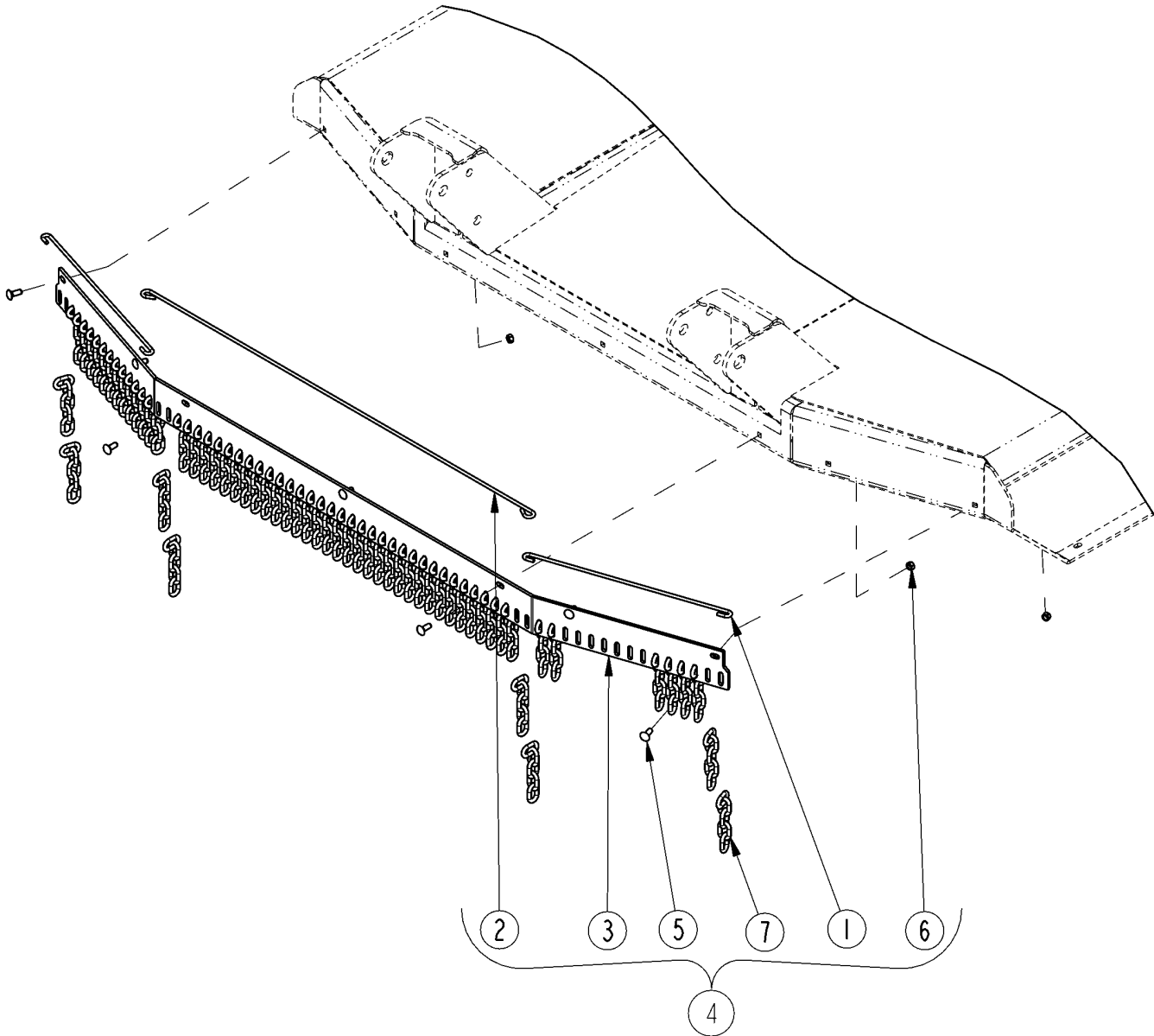
Gearbox (826-376C)**Applies to RCF2760, RCF2772**

Ref	Part No.	Part Description	Comments	Revision
	Dwg 21186 826-376C	Drawing Image Number GBOX RC25 1.38-6 1:1.47 STD. *		
1.	0.210.2000.00	CO INPUT SHAFT 1.38-6		
2.	8.7.3.00331	CO OIL SEAL 45 X 85 X 10		
3.	8.5.2.00332	CO SNAP RING UNI 7437		
4.	0.709.7500.00	CO SHIM 84.7		
5.	8.0.9.00143	CO BEARING 30209 RTA25		
6.	8.1.1.00501	CO BOLT M10X22 HHB		
7.	0.210.6001.00	CO GEAR CROWN Z23 M6		
8.	8.5.1.00533	CO SNAP RING 50 UNI7435		
9.	826-490C	COMER U0.210.7100.00 DIPSTICK		
10.	0.210.1300.00	CO COVER		
11.	0.252.7525.00	CO SHIM 45.3X2.5		
12.	0.121.7101.00	CO CAP		
13.	8.6.6.00201	CO PLUG 3/8 GAS		
14.	8.4.7.02265	CO COTTER PIN B 5X60		
15.	0.132.7106.00	CO NUT M30 X 1.5		
16.	0.210.5001.00	CO PINION Z16 M6		
17.	0.712.7500.00	CO SHIM 50.3X70.3		
18.	04-011	ITG BEARING ASSEMBLY		
19.	0.210.0300.00	CO CASTING & MACHINE		
20.	8.7.1.01107	CO SEAL (50x90x10)		
21.	0.139.7100.00	CO SEAL RETAINER		
22.	0.210.3001.00	CO OUTPUT SHAFT		
23.	0.139.7101.00	CO BLANK WASHER		
24.	8.2.2.00555	CO NUT, CASTLE M30 X 2		
25.	8.4.7.00146	CO COTTER PIN B6 X 60 *		

Notes: Oil Type 80-90W Capacity 6.5 Pints

Guard Chain Front

Applies to RCF2760, RCF2772



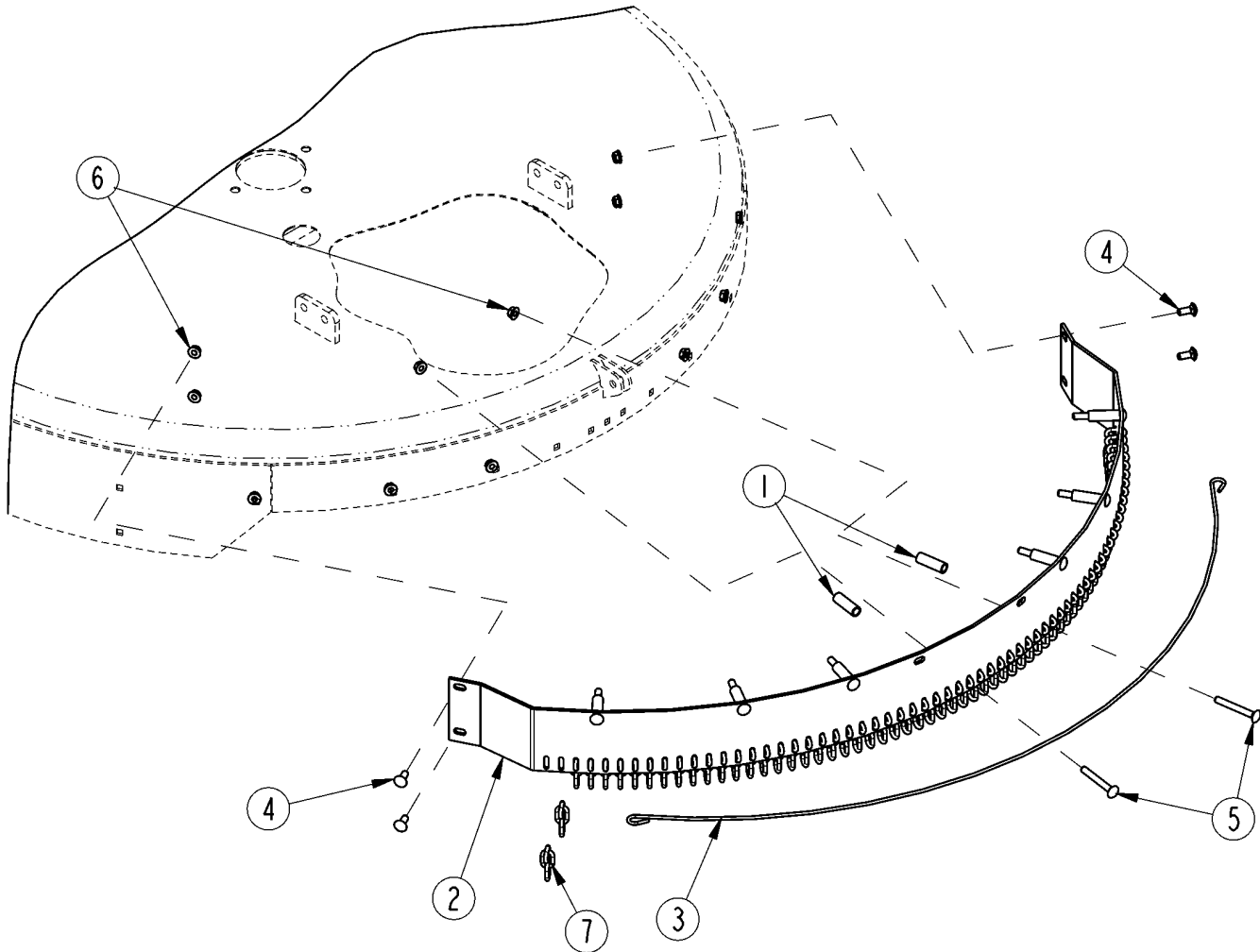
30687

Guard Chain Front**Applies to RCF2760, RCF2772**

Ref	Part No.	Part Description	Comments	Revision
	dwg30687	Drawing Image Number		
1.	318-142D	ROUND ROD 1/4 X 21		
1.	326-152D	ROUND ROD .25 X 14		
2.	326-153D	ROUND ROD .25 X 46		
3.	326-162D	FRONT CHAINGUARD BRACKET	RCF2772	
3.	326-132D	FRT. CHAINGUARD BRACKET	RCF2760	
4.	326-306A	RCF2772 FRONT CHAIN GD. COMPT.	RCF2772	
4.	326-302A	RCF2760 FRONT CHAIN GD. COMPT.	RCF2760	
5.	802-015C	RHSNB 3/8-16X1 GR5		
6.	803-013C	NUT LOCK 3/8-16 PLT		
7.	890-341C	CHAIN WELD 5/16 PROOF X 5 LINK		

Guard Chain Rear

Applies to RCF2760, RCF2772



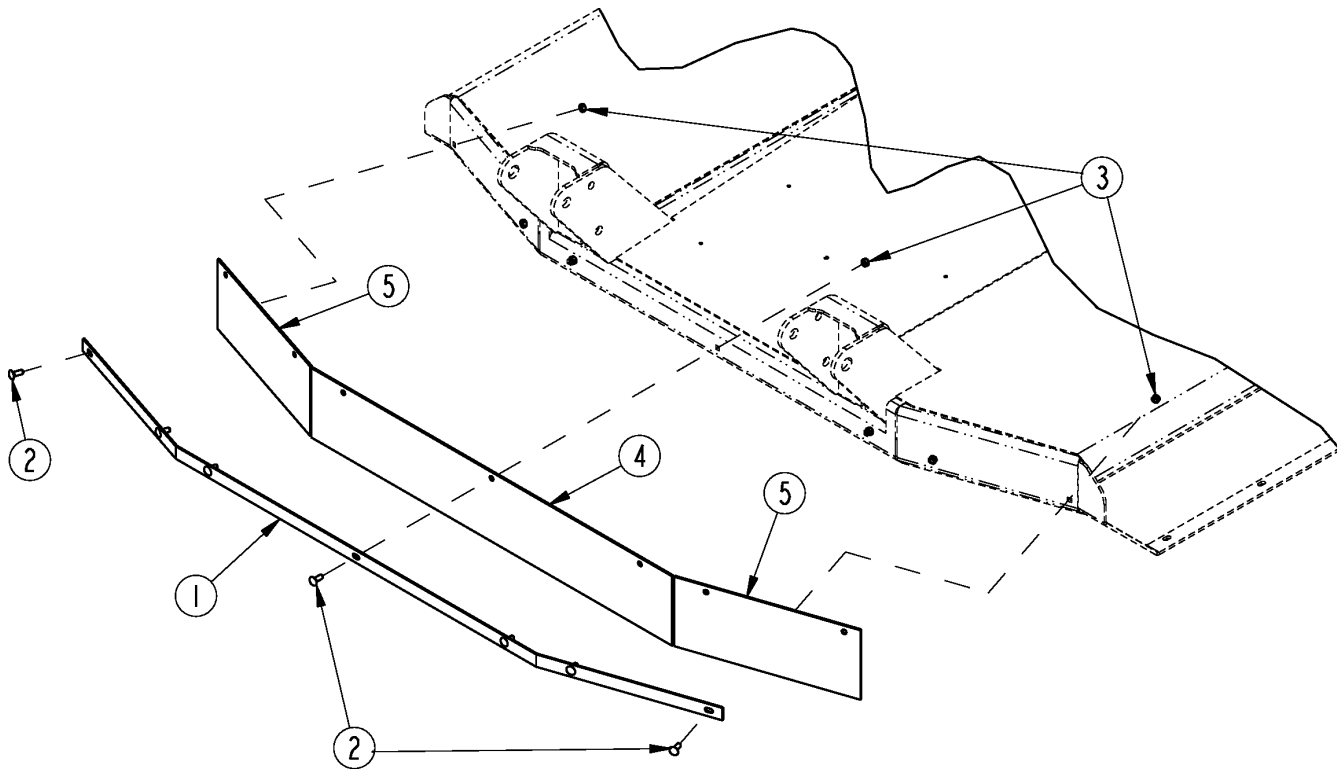
30688

Guard Chain Rear**Applies to RCF2760, RCF2772**

Ref	Part No.	Part Description	Comments	Revision
	Dwg 30688	Drawing Image Number		
	326-930A	72" REAR CHAIN GUARD ASY	S/N 1152877+	
	326-242A	REAR CHAINGUARD ASY RCF2772	S/N 1152876-	
	326-929A	60" REAR CHAIN GUARD ASY	S/N 1152877+	
	326-281A	REAR CHAINGUARD ASY RCF2760 *	S/N 1152876-	
1.	312-948D	DEFLECTOR SPACER		
2.	326-640D	72" REAR CHAIN GUARD	RCF2772 (S/N 1152877+)	
2.	326-624D	REAR CHAIN GUARD BRACKET 72"	RCF2772 (S/N 1152876-)	
2.	327-639D	60" REAR CHAIN GUARD	RCF2760 (S/N 1152877+)	
2.	326-660D	REAR CHAIN GUARD BRACKET 60"	RCF2760 (S/N 1152876-)	
3.	326-853D	ROUND ROD 1/4 X 85 5/8	RCF2772 (S/N 1152877+)	
3.	326-625D	CHAIN ROD 1/4 X 81	RCF2772 (S/N 1152876-)	
3.	326-862D	ROUND ROD 1/4 X 75	RCF2760 (S/N 1152877+)	
3.	326-661D	CHAIN ROD 1/4 X 71 1/4	RCF2760 (S/N 1152876-)	
4.	802-214C	RHSNB 1/2-13X1 1/4 GR5		
5.	802-707C	RHSNB 1/2-13X4 GR5 PLT		
6.	803-037C	NUT HEX WHIZ 1/2-13 PLT		
7.	890-400C	CHAIN WELD 5/16 GR 43 X 4 LINK	S/N 1152877+	
7.	890-485C	CHAIN WELD 5/16 PROOF X 3 LINK	S/N 1152876-	

Guard Rubber Front

Applies to RCF2760, RCF2772



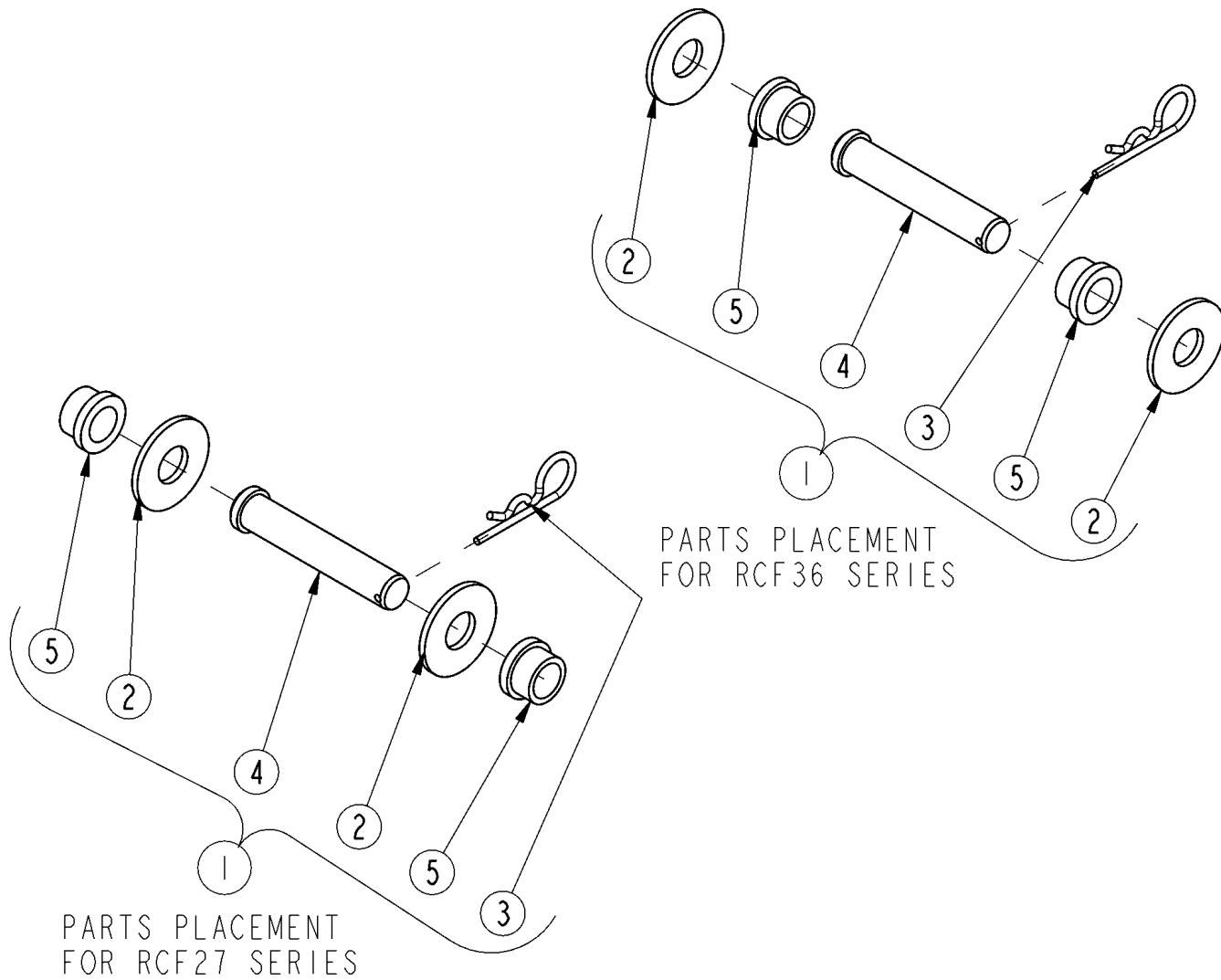
30689

Guard Rubber Front**Applies to RCF2760, RCF2772**

Ref	Part No.	Part Description	Comments	Revision
	dwg30689	Drawing Image Number		
	326-307A	RCF2772 FRONT RUBBER GD. COMPT		
	326-303A	RCF2760 FRONT RUBBER GD. COMPT		
		*		
1.	326-135D	FRONT DEFLECTOR STRAP	RCF2772	
1.	326-134D	FRONT DEFLECTOR STRAP	RCF2760	
2.	802-015C	RHSNB 3/8-16X1 GR5		
3.	803-013C	NUT LOCK 3/8-16 PLT		
4.	816-402C	RUBBER DEFLECTOR FRT. CTR.	RCF2772 & RCF2760	
5.	816-412C	RUBBER DEFLECTOR FRT. OUT.	RCF2772	
5.	816-403C	RUBBER DEFLECTOR FRT. OUT.	RCF2760	

Top 3PT Cat 2 to Cat 1 Pin Kit

Applies to RCF2760, RCF2772



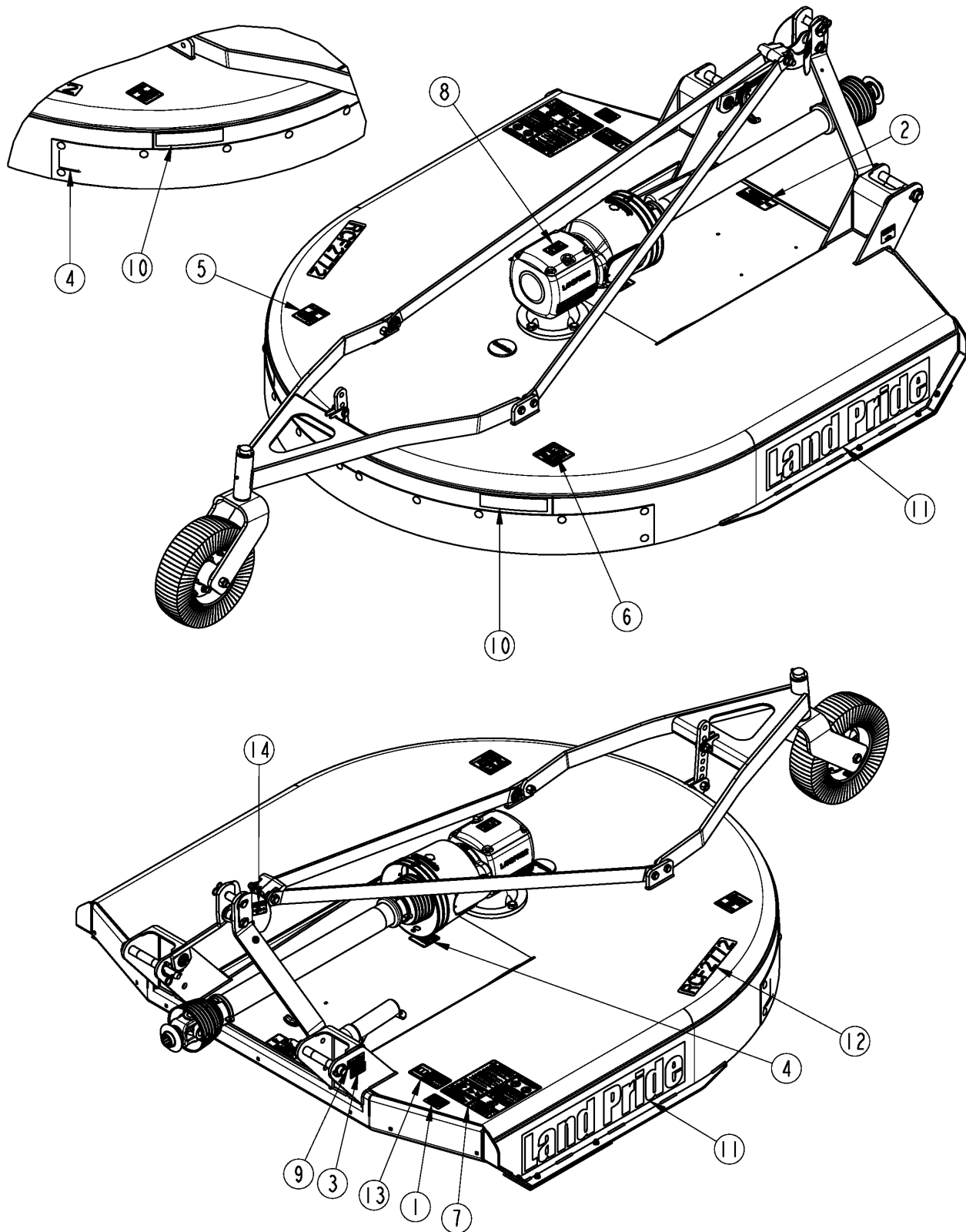
Top 3PT Cat 2 to Cat 1 Pin Kit

Applies to RCF2760, RCF2772

Ref	Part No.	Part Description	Comments	Revision
	dwg33922	Drawing Image Number		
1.	326-607A	TOP 3PT CAT2 TO CAT1 CONV KIT		
2.	804-024C	WASHER FLAT 3/4 USS PLT		
3.	805-032C	PIN HAIR COTTER .148 WIRE		
4.	805-228C	PIN CLVS .75X3.94 USBL		
5.	827-071C	BUSHING STEP 1.25ODX.765IDX.70		

Decal Placement

Applies to RCF2760, RCF2772



30692

Decal Placement**Applies to RCF2760, RCF2772**

Ref	Part No.	Part Description	Comments	Revision
	Dwg 30692	Drawing Image Number		
1.	818-130C	DECAL CAUTION 540 RPM		
2.	818-142C	DECAL DANGER PTO DRIVELINE EN		
3.	818-190C	DECAL FLAG		
4.	818-543C	DECAL DANGER PD GUARD MISS SML		
5.	818-556C	DECAL DANGER THROWN OBJ CUTTER		
6.	818-555C	DECAL DANGER ROTATE BLADE		
6.	818-564C	RPBY 818-555C	Obsolete	
7.	818-830C	DECAL SAFETY COMBO SUNWEST		
8.	818-862C	DECAL 5 YEAR GEARBOX WARRANTY		
9.	838-517C	DECAL QUICK HITCH SYSTEM		
10.	838-614C	DECAL REFLECTOR RED 2X9		
11.	838-959C	DECAL LANDPRIDE 30" GREEN	Beige Unit S/N 693228+ on RCF2760	
11.	818-903C	RPBY 838-965C	Beige Unit S/N 693227- on RCF2760	
11.	848-122C	DECAL LANDPRIDE 34" TAN/BROWN	Green, Orange & Red Unit S/N 693228+ on RCF2760	
11.	838-965C	DECAL LANDPRIDE 16" BROWN/GOLD	Green, Orange & Red Unit S/N 693227- on RCF2760	
12.	848-532C	DECAL RCF2772-GOLD		
12.	848-533C	RPBY 848-532C	Obsolete	
12.	848-572C	DECAL RCF2760-GOLD		
12.	848-573C	RPBY 848-572C	Obsolete	
13.	838-293C	DECAL WARNING READ MANUAL		
14.	858-148C	DECAL PIC--PINCH POINT	S/N 1341733+	

Land Pride Touch-up Paints

Applies to RCF2760, RCF2772

No diagram associated with this Parts List

Land Pride Touch-up Paints**Applies to RCF2760, RCF2772**

Ref	Part No.	Part Description	Comments	Revision
1.	821-011C	LP BEIGE SPRAY CAN	Spray can	
1.	821-011CTU	LP BEIGE TOUCH-UP 5OZ	Touch-up bottle with brush	
1.	821-011CQT	LP BEIGE QUART	Quart can	
1.	821-011CGL	LP BEIGE GALLON	Gallon can	
2.	821-070C	GLOSS BLACK SPRAY CAN	Spray can	
2.	821-070CTU	GLOSS BLACK TOUCH-UP 5OZ	Touch-up bottle with brush	
2.	821-070CQT	GLOSS BLACK QUART	Quart can	
2.	821-070CGL	GLOSS BLACK GALLON	Gallon can	
3.	821-054C	MED. RED SPRAY TRCK/CTR	Spray can	
3.	821-054CTU	MED RED TOUCH-UP 5OZ	Touch-up bottle with brush	
3.	821-054CQT	MED RED QUART	Quart can	
3.	821-054CGL	MED RED GALLON	Gallon can	
4.	821-058C	GREEN SPRAY CUTTERS	Spray can	
4.	821-058CTU	GREEN TOUCH-UP 5OZ	Touch-up bottle with brush	
4.	821-058CQT	GREEN QUART	Quart can	
4.	821-058CGL	GREEN GALLON	Gallon can	
5.	821-066C	ORANGE SPRAY CAN	Spray can	
5.	821-066CTU	ORANGE TOUCH-UP 5OZ	Touch-up bottle with brush	
5.	821-066CQT	ORANGE QUART	Quart can	
5.	821-066CGL	ORANGE GALLON	Gallon can	
6.	821-067C	BLUE SPRAY CAN	Spray can	
6.	821-067CTU	BLUE TOUCH-UP 5OZ	Touch-up bottle with brush	
6.	821-067CQT	BLUE QUART	Quart can	
6.	821-067CGL	BLUE GALLON	Gallon can	
7.	821-080C	PAINT ALUMINUM/ZINC SPRAY CAN	Spray can	
7.	821-080CTU	PAINT ALUMINUM/ZINC TOUCH UP	Touch-up bottle with brush	
7.	821-080CQT	PAINT ALUMINUM/ZINC QUART	Quart can	
7.	821-080CGL	PAINT ALUMINUM/ZINC GALLON	Gallon can	



Part Number Index

The Part Number Index is a numeric index of all part numbers included in this manual. The index shows what page(s) the part is used on.

Part Number	Page	Part Number	Page	Part Number	Page	Part Number	Page
0.121.7101.00	29	326-607A	15, 17, 37	803-308C	13	821-067CGL	41
0.132.7106.00	29	326-614D	13	804-007C	19	821-067CQT	41
0.139.7100.00	29	326-624D	33	804-009C	23	821-067CTU	41
0.139.7101.00	23, 29	326-625D	33	804-010C	11, 23	821-070C	41
0.210.0300.00	29	326-626D	15, 17	804-015C	13	821-070CGL	41
0.210.1300.00	29	326-629D	15, 17	804-016C	13	821-070CQT	41
0.210.2000.00	29	326-640D	33	804-019C	15, 17	821-070CTU	41
0.210.3001.00	29	326-659D	15, 17	804-022C	13	821-080C	41
0.210.5001.00	29	326-660D	33	804-024C	15, 37	821-080CGL	41
0.210.6001.00	29	326-661D	33	804-036C	9, 11	821-080CQT	41
0.252.7525.00	29	326-697D	7	804-066C	13	821-080CTU	41
0.709.7500.00	29	326-698D	7	804-147C	21	822-091C	13
0.712.7500.00	29	326-822D	15	804-156C	15	822-092C	13
04-011	29	326-853D	33	805-032C	37	826-376C	23, 29
044321	25, 27	326-862D	33	805-088C	15, 17	826-490C	23, 29
122-076D	15, 17	326-873D	15	805-103C	15	826-648C	23
141.025.363.1	25, 27	326-874D	15	805-109C	15	826-672C	23, 25
142.250.3657521	25, 27	326-929A	33	805-124C	15	826-673C	23, 27
142.250.3777521	25	326-930A	33	805-143C	15, 17	827-036C	13
146.254.015.1	25, 27	327-143S	9, 17	805-227C	15	827-071C	37
151.015.038.1	25, 27	327-144H	21	805-228C	15, 17, 37	837-062C	9, 11
151.019.011.1	25, 27	327-182S	11, 17	805-255C	13	837-063C	9, 11
165.000.502	25, 27	327-319D	15, 17	805-485C	15, 17	837-101C	23
165.000.548	25, 27	327-320D	15, 17	807-350C	9, 11	838-293C	39
165.000.628	25, 27	327-639D	33	812-500C	17	838-517C	39
180.014.022	25, 27	327-763D	17	8123.350.097.11	27	838-614C	39
180.015.130	25, 27	327-764D	17	8123.350.101.11	25	838-959C	39
180.019.014	25, 27	8.0.9.00143	29	8123.450.295.11	27	838-965C	39
180.019.019	25, 27	8.1.1.00501	29	8123.450.324.11	25	840-273C	23
180.019.115	25, 27	8.2.2.00555	23, 29	814-058C	13	848-122C	39
180.019.116.1	25, 27	8.4.7.00146	23, 29	814-161C	13	848-532C	39
180.019.340	25, 27	8.4.7.02265	29	815-092C	13	848-533C	39
190.000.098	25, 27	8.5.1.00533	29	815-230C	13	848-572C	39
190.000.099	25, 27	8.5.2.00332	29	816-286C	13	848-573C	39
312-075D	21	8.6.6.00201	29	816-402C	35	858-148C	39
312-082D	21	8.7.1.01107	29	816-403C	35	890-341C	31
312-089D	21	8.7.3.00331	29	816-412C	35	890-400C	33
312-602D	7	800-001C	13	816-504C	19	890-485C	33
312-808D	21	800-080C	13	818-130C	39	890-961C	13
312-811H	21	802-007C	23	818-142C	39	Dwg 21186	29
312-820H	21	802-010C	9	818-190C	39	Dwg 30686	7
312-948D	33	802-012C	11	818-543C	39	Dwg 30688	33
318-142D	31	802-015C	31, 35	818-555C	39	Dwg 30690	21
318-586A	21	802-053C	15, 17	818-556C	39	Dwg 30691	23
326-095S	7, 19	802-055C	13	818-564C	39	Dwg 30692	39
326-132D	31	802-065C	23	818-830C	39	Dwg 30694	27
326-134D	35	802-135C	13	818-862C	39	Dwg 30695	25
326-135D	35	802-138C	9, 11	818-903C	39	Dwg 30696	15
326-152D	31	802-183C	7	8180.014.240	25, 27	Dwg 37993	17
326-153D	31	802-192C	15, 17	8180.015.288	25, 27	Dwg 39163	19
326-162D	31	802-214C	33	8180.015.289	25, 27	Dwg 72257	9, 11
326-237H	7	802-224C	19	820-137C	21	dwg30687	31
326-237H81	7	802-277C	21	820-168C	21	dwg30689	35
326-237H82	7	802-280C	13	821-011C	41	dwg30693	13
326-237H83	7	802-326C	13	821-011CGL	41	dwg33922	37
326-242A	33	802-603C	7	821-011CQT	41	N/A	13, 21
326-273H	7	802-707C	33	821-011CTU	41		
326-273H81	7	803-013C	31, 35	821-054C	41		
326-273H82	7	803-021C	13	821-054CGL	41		
326-273H83	7	803-026C	13	821-054CQT	41		
326-281A	33	803-037C	7, 33	821-054CTU	41		
326-294H	13	803-148C	13	821-058C	41		
326-302A	31	803-170C	21	821-058CGL	41		
326-303A	35	803-177C	9, 11	821-058CQT	41		
326-306A	31	803-181C	15, 17	821-058CTU	41		
326-307A	35	803-198C	7	821-066C	41		
326-329D	15	803-255C	19	821-066CGL	41		
326-546D	15, 17	803-263C	15, 17	821-066CQT	41		
326-572D	15	803-289C	13	821-066CTU	41		
326-573D	15	803-299C	23	821-067C	41		

This Page Intentionally Left Blank



Great Plains Manufacturing, Inc.

Corporate Office: P.O. Box 5060
Salina, Kansas 67402-5060 USA

www.landpride.com
