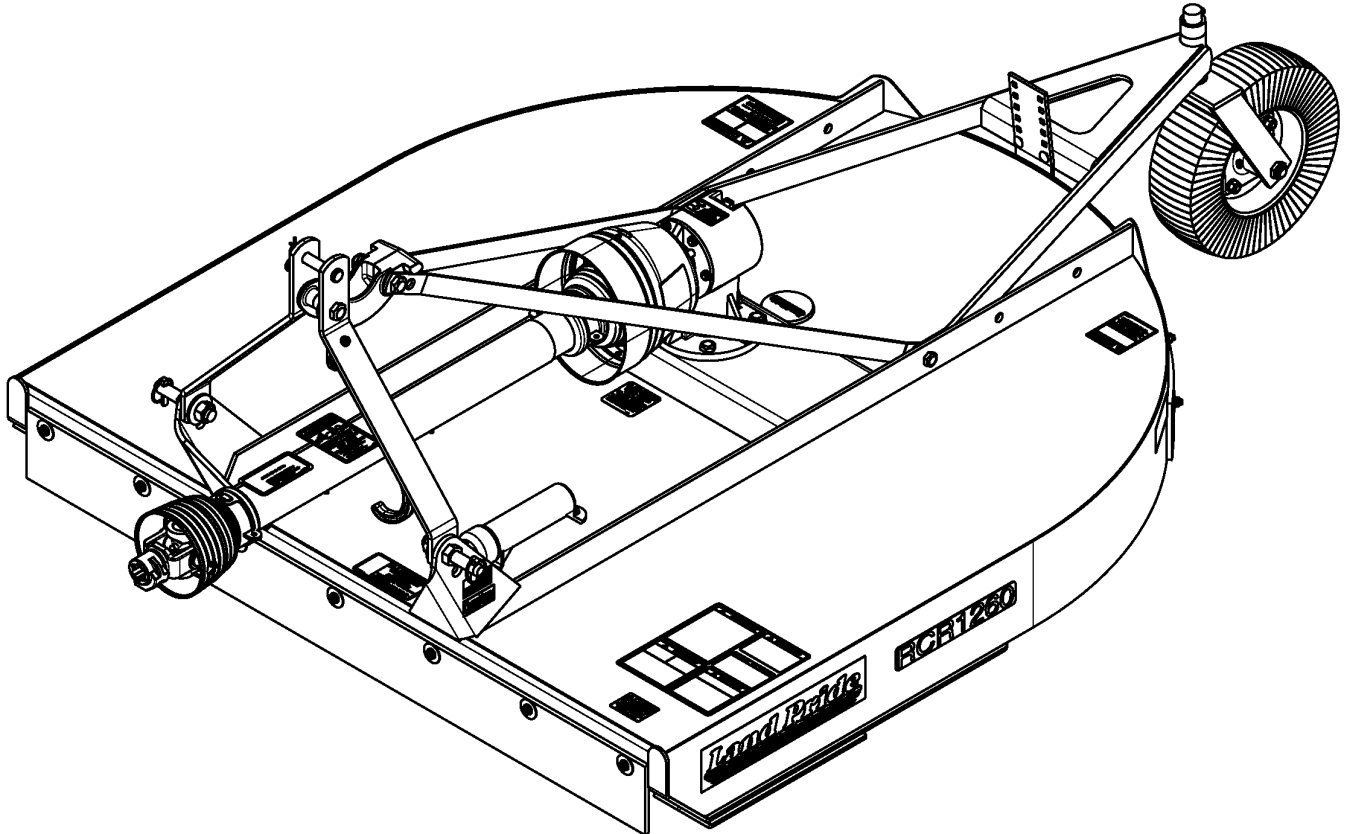


Rotary Cutter

RCR1242, RCR1248, RCR1260 & RCR1272



30287

326-047P **Parts Manual**



Read the Operator's Manual entirely. When you see this symbol, the subsequent instructions and warnings are serious - follow without exception. Your life and the lives of others depend on it!

© Copyright 2019 Printed 08/27/19

Cover photo may show optional equipment not supplied with standard unit.





Table of Contents

Section 1: Introduction.....	4
Using This Manual.....	4
Manual Replacement Information.....	4
Manual Revisions.....	4
Touch-up Paint.....	4
Hardware Legend.....	5
Replacement Hardware.....	5
Serial Numbers.....	5
Part Number Service Coding.....	5
Section 2: Deck.....	6
Deck and Rear Deflector.....	6
Driveline Hanger (327-143S).....	8
Driveline Hanger (327-182S).....	10
Hitch and Gauge Wheel Mount S/N 953490-.....	12
Hitch and Gauge Wheel Mount S/N 953491+.....	16
Manual Tube.....	20
Rubber Guarding-Front.....	22
Section 3: Blade Drive.....	24
Blade Carrier.....	24
Blade Drive RCR1242/48/60.....	26
Blade Drive RCR1272.....	28
Driveline W/Shear Bolt (326-369A).....	30
Driveline W/Shear Bolt (326-370A).....	32
Driveline W/Shear Bolt (326-378A) (327-177A).....	34
Driveline W/Slip Clutch (326-065A).....	36
Driveline W/Slip Clutch (326-067A).....	38
Driveline W/Slip Clutch (326-383A) (327-178A).....	40
Gearbox (826-670C).....	42
Gearbox (826-671C).....	44
Gearbox (826-867C) Comer.....	46
Gearbox (826-868C) Comer.....	48
Section 4: Options & Accessories.....	50
Skid Shoe Components.....	50
Section 5: Decal Placement.....	52
Decal Placement.....	52
Land Pride Touch-up Paints.....	54
Part Number Index.....	56

© Copyright 2019. All rights reserved.

Land Pride provides this publication “as is” without warranty of any kind, either expressed or implied. While every precaution has been taken in the preparation of this manual, Land Pride assumes no responsibility for errors or omissions. Neither is any liability assumed for damages resulting from the use of the information contained herein. Land Pride reserves the right to revise and improve its products as it sees fit. This publication describes the state of this product at the time of its publication, and may not reflect the product in the future. The illustrations in this manual are not intended for safe and proper assembly or disassembly of equipment. The illustrations are intended for ordering parts only.

Land Pride is registered trademark.

All other brands and product names are trademarks or registered trademarks of their respective holders.

Printed in the United States of America.



Alphabetized Table of Contents

B	
Blade Carrier.....	24
Blade Drive RCR1242/48/60.....	26
Blade Drive RCR1272.....	28
D	
Decal Placement.....	52
Deck and Rear Deflector.....	6
Driveline Hanger (327-143S).....	8
Driveline Hanger (327-182S).....	10
Driveline W/Shear Bolt (326-369A).....	30
Driveline W/Shear Bolt (326-370A).....	32
Driveline W/Shear Bolt (326-378A) (327-177A).....	34
Driveline W/Slip Clutch (326-065A).....	36
Driveline W/Slip Clutch (326-067A).....	38
Driveline W/Slip Clutch (326-383A) (327-178A).....	40
G	
Gearbox (826-670C).....	42
Gearbox (826-671C).....	44
Gearbox (826-867C) Comer.....	46
Gearbox (826-868C) Comer.....	48
H	
Hitch and Gauge Wheel Mount S/N 953490-.....	12
Hitch and Gauge Wheel Mount S/N 953491+.....	16
L	
Land Pride Touch-up Paints.....	54
M	
Manual Tube.....	20
R	
Rubber Guarding-Front.....	22
S	
Skid Shoe Components.....	50

General Information

Using This Manual

This manual is divided into sections. The first section contains General Information. The remaining sections divide the machine into segments (i.e. Frames, Drives, Hydraulics, etc.) which illustrate and list all parts. A Parts Number Index is located at the back of the book.

The Land Pride parts in this manual are specially designed for this machine and should be replaced with Land Pride parts only.

The information in this manual is current at time of printing. Some parts may change to assure top performance.

Right-hand and left-hand as used in this manual are determined by facing the direction the machine will travel while in use.

Below is an example of two facing pages from a parts manual. Familiarize yourself with the type of information contained on these pages.

Manual Replacement Information

Replacement manuals are available. Refer to our website at www.landpride.com or e-mail us at lit@landpride.com for additional information. Our website continues to provide the most up-to-date manuals available.

Touch-up Paint

Repaint parts where paint is worn or scratched to prevent rust. Aerosol cans and touch-up bottles with brush applicator are available through your local dealer. Also available are quart and gallon size paints. Add QT or GL to end of the Aerosol P/N.

Land Pride color descriptions and part numbers are listed on the "Land Pride Touch-up Paints" page in the "Decals" section of this book. Color options vary by product.



General Information

Hardware Legend

AR	As Required
BLADE	Blade Bolt
C	Cap Screw
CP	Cotter Pin
CPHSSS	Cup Point Hex Socket Set Screw
CPSHSS	Cup Point Square Head Set Screw
CPSQHSS	Cup Point Square Head Set Screw
CRFCHMS3	Cross Recess Flat Countersunk Head Machine Screw
CRPHMS	Cross Recess Pan Head Machine Screw
CRPHTF	Cross Recess Pan Head Thread Forming
CRRHMS	Cross Recess Round Head Machine Screw
CRTHMS	Cross Recess Truss Head Machine Screw
CSNB	Countersunk Square Neck Bolt
FHMS	Flat Head Machine Screw
FTC	Full Thread Cap Screw
H	Hex Nut
HCLN	Hex Center Lock Nut
HFLCS	Hex Flange Lock Cap Screw
HFS	Hex Flange Screw
HFSLN	Hex Flange Serrated Lock Nut
HFSS	Hex Flange Serrated Screw
HHCS	Hex Head Cap Screw or Metric Bolt
HSBHCS	Hex Socket Button Head Cap Screw
HSFCHCS	Hex Socket Flat Countersunk Head Cap Screw
HSHCS	Hex Socket Head Cap Screw
HSSS	Hex Socket Head Screw
HTLN	Hex Top Lock Nut
HWHCS	Hex Washer Head Cap Screw

HWHMS	Hex Washer Head Machine Screw
HXBHCS	Hex Socket Button Head Cap Screw
J	Hex Jam Nut
JIC	37 Degree Tapered Thread
L	Helical Spring Lock Washer
LUG	Lug Bolt
NFC	National Fine Cap Screw
NPSM	National Pipe Straight Mechanical
NPTF	National Pipe Taper Fuel
P	Wide Plain Washer
PHMS	Pan Head Machine Screw
PLOW	Plow Bolt
RHMS	Round Head Machine Screw
RHSNB	Round Head Square Neck Bolt
SCREW LEVELING	Leveling Screw
SCREW THUMB	Thumb Screw
SCREW WELD	Weld Screw
SFCHMS	Slotted Flat Countersunk Head Machine Screw
SFHMS	Slotted Fillister Head Machine Screw
SP	Special
SP SCREW	Special Screw
SQHSS	Square Head Set Screw
SRHMS	Slotted Round Head Machine Screw
SSS	Socket Set Screw
STCS	Self Tapping Cap Screw
STHMS	Slotted Truss Head Machine Screw
WHEEL	Wheel Studs and Hub Long Bolts
WING	Wing Bolt

Replacement Hardware

The **Hardware Legend** above lists hardware abbreviations used in the parts list. All bolts and nuts are Grade 5 unless otherwise noted. The use of improper grades of hardware can result in personal injury, damage to equipment, or loss of property.

Colored Replacement Parts

Land Pride offers replacement parts in factory standard colors and also on select models in Green, Orange, Red and Blue. Because of the variety of colors available, special attention must be given to the part number to prevent ordering the wrong replacement part.

A suffix number corresponding to one of the colors below must be added at the end of Land Pride's part number when ordering a replacement part with that color.

- | | |
|----------------------------|--------------------------|
| 81 Green | 83 Red |
| 82 Orange | 84 Blue |

For example, if you are ordering a replacement part with part number 555-555C and the part you need is red, then add the suffix 83 to the end of the number to make the part number read 555-555C83. Parts ordered without a suffix number will be supplied in factory standard colors.

Black Replacement Parts

Some parts are factory standard black and some must be special ordered black. If your part is special ordered black, a second part number with the additional suffix number 85 on the end will be available. In this situation you must order that part with the suffix number for it to be black. Parts that are factory standard black will not have the suffix number.

Part Number Service Coding

Within the parts list some part numbers are coded for revisions and interchangeability. See notations in revision column.

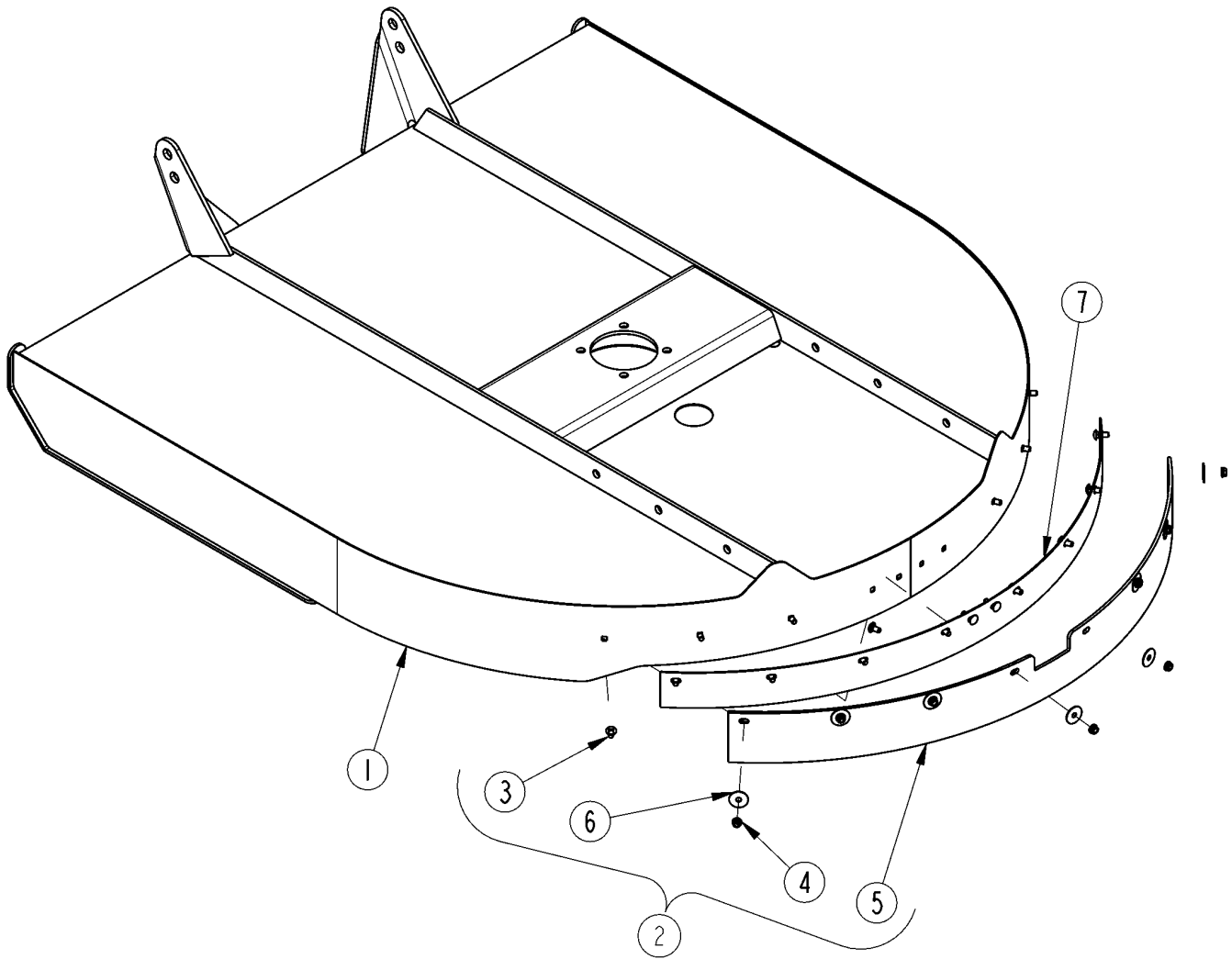
Serial Numbers

Always use the serial and model number when ordering parts. Refer to the Operator's Manual for serial number plate location.

- | | |
|----------------------|--|
| (S/N 20001+) | Includes serial numbers 20001 and above (to the latest number) |
| (S/N 10001 to 20000) | Includes serial numbers between and including 10001 and 20000 |
| (S/N 10000-) | Includes serial numbers 10000 and below (to the earliest number) |

Deck and Rear Deflector

Applies to RCR1242, RCR1248, RCR1260, RCR1272



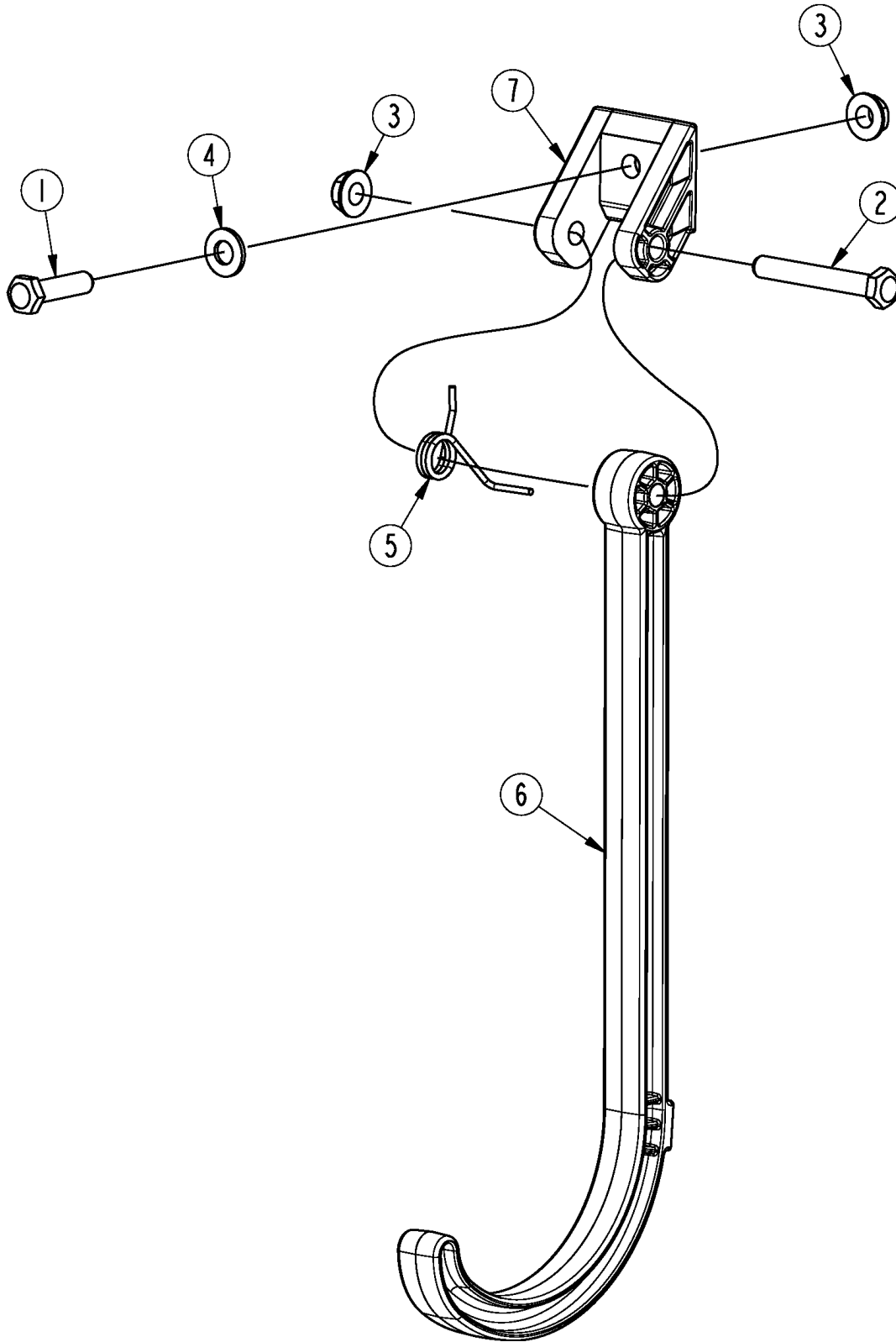
30306

Deck and Rear Deflector**Applies to RCR1242, RCR1248, RCR1260, RCR1272**

Ref	Part No.	Part Description	Comments	Revision
	Dwg 30306	Drawing Image Number		
1.	327-165H	RCR1242 DECK WELDMENT	Beige unit	
1.	327-165H81	RCR1242 DECK WELDMENT GREEN	Green unit	
1.	327-165H82	RCR1242 DECK WELDMENT ORANGE	Orange unit	
1.	327-165H83	RCR1242 DECK WELDMENT RED	Red unit	
1.	327-165H84	RCR1242 DECK WELDMENT BLUE	Blue unit	
1.	326-267H	RCR1248 CUTTER DECK	Beige unit	
1.	326-267H81	RCR1248 CUTTER DECK GREEN	Green unit	
1.	326-267H82	RCR1248 CUTTER DECK ORANGE	Orange unit	
1.	326-267H83	RCR1248 CUTTER DECK RED	Red unit	
1.	326-267H84	RCR1248 CUTTER DECK BLUE	Blue unit	
1.	326-041H	RCR1260 CUTTER DECK WELDMENT	Beige unit	
1.	326-041H81	RCR1260 CUTTER DECK GREEN	Green unit	
1.	326-041H82	RCR1260 CUTTER DECK ORANGE	Orange unit	
1.	326-041H83	RCR1260 CUTTER DECK RED	Red unit	
1.	326-041H84	RCR1260 CUTTER DECK BLUE	Blue unit	
1.	326-070H	RCR1272 CUTTER DECK WELDMENT	Beige unit	
1.	326-070H81	RCR1272 CUTTER DECK GREEN	Green unit	
1.	326-070H82	RCR1272 CUTTER DECK ORANGE	Orange unit	
1.	326-070H83	RCR1272 CUTTER DECK RED	Red unit	
1.	326-070H84	RCR1272 CUTTER DECK BLUE	Blue unit	
2.	326-213A	REAR RUBBER GUARD 1248		
2.	326-407S	REAR RUBBER GUARD 1260		
2.	326-409S	REAR RUBBER GUARD 1272		
3.	802-015C	RHSNB 3/8-16X1 GR5	S/N 855831+	
3.	802-149C	RHSNB 3/8-16X1 1/4 GR5	S/N 855830-	
4.	803-198C	NUT HEX WHIZ 3/8-16 PLT		
5.	N/A	RCR1242 REAR RUBBER	Not Required	
5.	816-321C	RCR12/1548 REAR RUBBER DEF.		
5.	816-563C	RUBBER DEFLECTOR REAR RCR1260		
5.	816-576C	RUBBER DEFLECTOR REAR RCR1272		
6.	840-108C	WASHER FENDER 1.5OD X.4IDX.06T		
7.	326-413A	RCR1260 PRE-PROD UPDATE KIT	S/N 644000- RCR1260 Only	

Driveline Hanger (327-143S)

Applies to RCR1242, RCR1248, RCR1260, RCR1272



72257

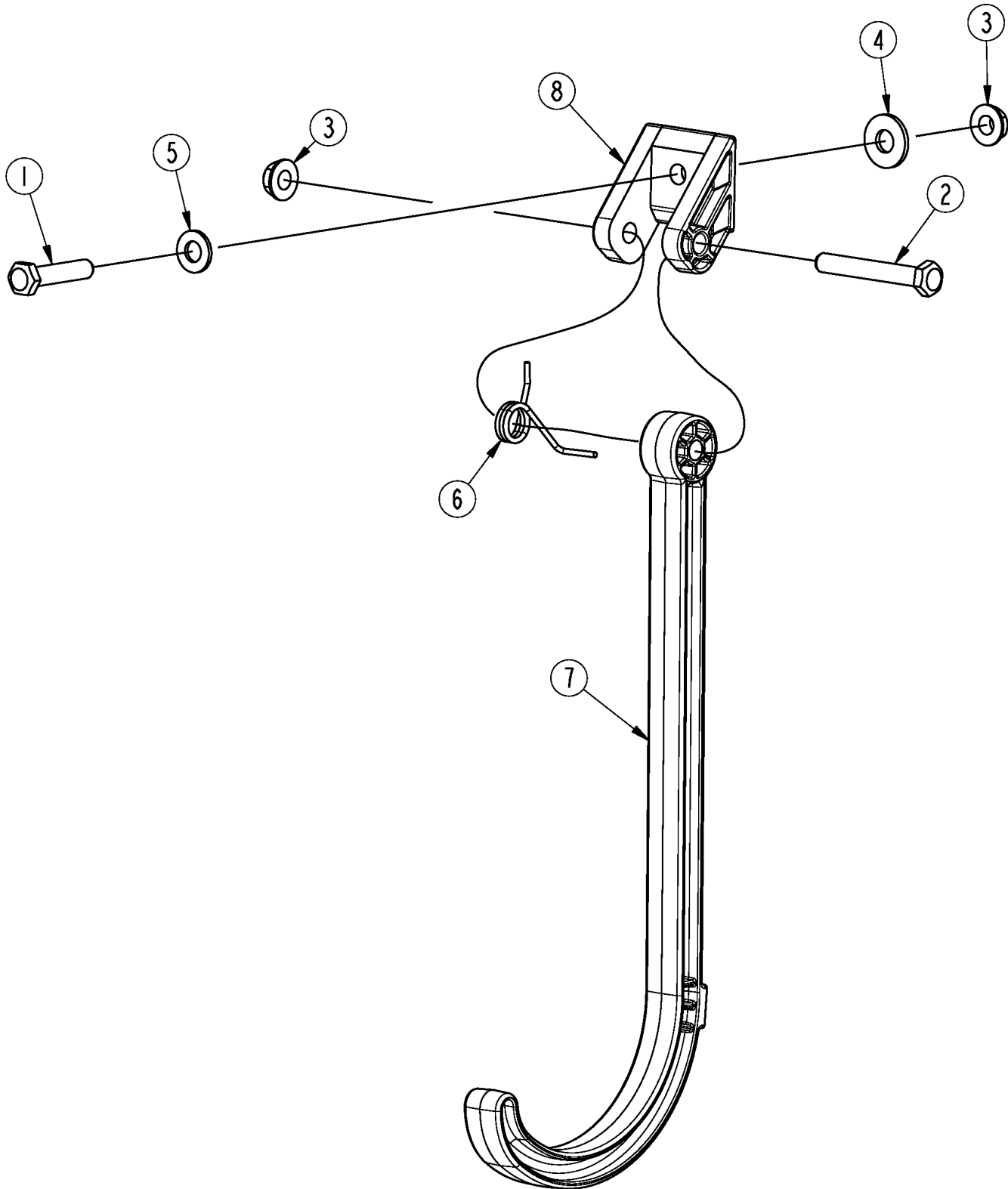
Driveline Hanger (327-143S)

Applies to RCR1242, RCR1248, RCR1260, RCR1272

Ref	Part No.	Part Description	Comments	Revision
	Dwg 72257 327-143S	Image No. DRIVELINE HOLDER W/HARDWARE *		
1.	802-010C	HHCS 5/16-18X1 1/4 GR5		
2.	802-138C	HHCS 5/16-18X2 1/4 GR5		
3.	803-177C	NUT HEX FLG TP LK 5/16-18ZN		
4.	804-036C	WASHER FLAT 5/16 SAE PLT		
5.	807-350C	SPRING TORSION DRVLN HLDER		
6.	837-062C	DRIVELINE HOOK		
7.	837-063C	MOUNT DRIVELINE HOOK		

Driveline Hanger (327-182S)

Applies to RCR1242, RCR1248, RCR1260, RCR1272



72260

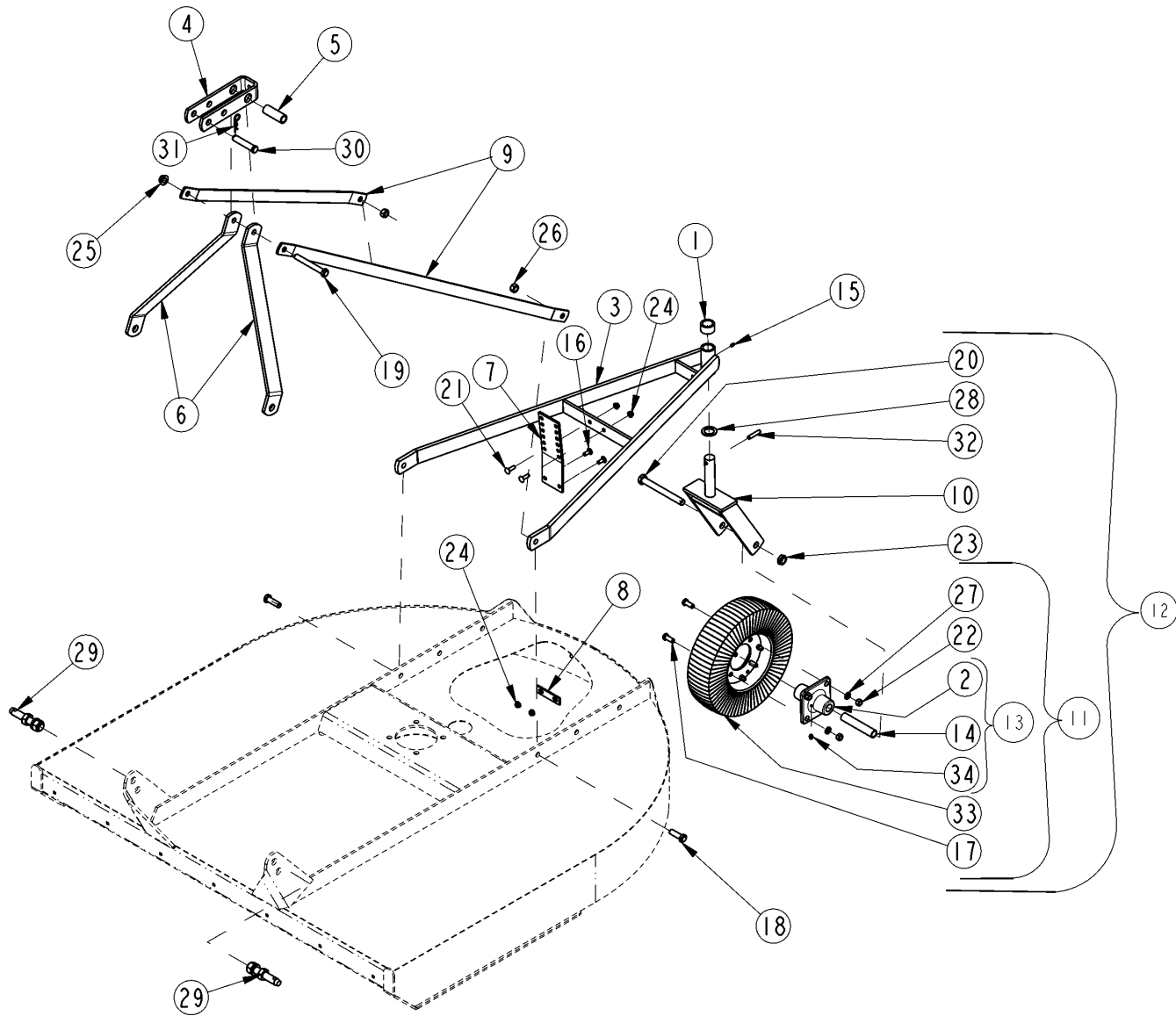
Driveline Hanger (327-182S)

Applies to RCR1242, RCR1248, RCR1260, RCR1272

Ref	Part No.	Part Description	Comments	Revision
	Dwg 72257 327-182S	Image No. DRIVELINE HANGER W/HARDWARE *		
1.	802-012C	HHCS 5/16-18X1 1/2 GR5		
2.	802-138C	HHCS 5/16-18X2 1/4 GR5		
3.	803-177C	NUT HEX FLG TP LK 5/16-18ZN		
4.	804-010C	WASHER FLAT 5/16 USS PLT		
5.	804-036C	WASHER FLAT 5/16 SAE PLT		
6.	807-350C	SPRING TORSION DRVLN HLDER		
7.	837-062C	DRIVELINE HOOK		
8.	837-063C	MOUNT DRIVELINE HOOK		

Hitch and Gauge Wheel Mount S/N 953490-

Applies to RCR1242, RCR1248, RCR1260, RCR1272



30307

Hitch and Gauge Wheel Mount S/N 953490-**Applies to RCR1242, RCR1248, RCR1260, RCR1272**

Ref	Part No.	Part Description	Comments	Revision
	Dwg 30307	Drawing Image Number		
1.	310-251D	G.W. SPACER 1		
2.	N/A	ORIGIONAL TAILWHEEL HUB, REPLACED BY PART #326-400V	Does not use wheel spacer #326-688D	
2.	312-020D	TAILWHEEL HUB W/ GREASE ZERK	Requires wheel spacer #326-688D	
3.	326-268H	RPBY 327-183H	Obsolete (RCR1248)	
3.	327-183H	TAILWHEEL A-ARM WLDMT	RCR1248	
3.	312-559H	GAUGE WHEEL MAINFRAME WLDMT.	S/N _____ - RCR1260 & RCR1272	
4.	312-609D85	PIVOTING UPPER HITCH-BLACK		
5.	312-610D	SPACER TUBE 1 1/8 OD X 3 1/8		
6.	312-848D	A-FRAME BEIGE	S/N 927108	
6.	312-848D81	A-FRAME GREEN	S/N 927108	
6.	312-848D82	A-FRAME ORANGE	S/N 927108	
6.	312-848D83	A-FRAME RED	S/N 927108	
6.	312-848D84	A-FRAME BLUE	S/N 927108	
6.	312-848D85	A-FRAME BLACK	S/N 927107-	
7.	312-850D	GAUGE WHEEL ADJ. FLAT		
8.	312-851D	GAUGE WHEEL SUPPORT FLAT		
9.	326-893D	REAR BRACE	RCR1248 S/N 689802 to S/N _____ + S/N 927108 to S/N _____	
9.	326-893D81	REAR BRACE GREEN	RCR1248 S/N 689802 to S/N _____ + S/N 927108 to S/N _____	
9.	326-893D82	REAR BRACE ORANGE	RCR1248 S/N 689802 to S/N _____ + S/N 927108 to S/N _____	
9.	326-893D83	REAR BRACE RED	RCR1248 S/N 689802 to S/N _____ + S/N 927108 to S/N _____ +	
9.	326-893D84	REAR BRACE BLUE	RCR1248 S/N 689802 to S/N _____ + S/N 927108 to S/N _____ +	
9.	326-893D85	REAR BRACE BLACK	RCR1248 S/N 927107-	
9.	312-849D	REAR BRACE	RCR1248 S/N 689801- Or Replace W/ 2 Ea. 326-893D	
9.	326-062D	REAR BRACE BEIGE	RCR1260 S/N 689802 to S/N _____ + S/N 927108 to S/N _____ +	
9.	326-062D81	REAR BRACE GREEN	RCR1260 S/N 689802 to S/N _____ + S/N 927108 to S/N _____ +	
9.	326-062D82	REAR BRACE ORANGE	RCR1260 S/N 689802 to S/N _____ + S/N 927108 to S/N _____ +	
9.	326-062D83	REAR BRACE RED	RCR1260 S/N 689802 to S/N _____ + S/N 927108 to S/N _____ +	
9.	326-062D84	REAR BRACE BLUE	RCR1260 S/N 689802 to S/N _____ + S/N 927108 to S/N _____ +	
9.	326-062D85	REAR BRACE BLACK	RCR1260 S/N 927107-	
9.	326-075D	REAR BRACE BEIGE	RCR1272 S/N 689802 to S/N _____ + S/N 927108 to S/N _____ +	
9.	326-075D81	REAR BRACE GREEN	RCR1272 S/N 689802 to S/N _____ + S/N 927108 to S/N _____ +	
9.	326-075D82	REAR BRACE ORANGE	RCR1272 S/N 689802 to S/N _____ + S/N 927108 to S/N _____ +	
9.	326-075D83	REAR BRACE RED	RCR1272 S/N 689802 to S/N _____ + S/N 927108 to S/N _____ +	
9.	326-075D84	REAR BRACE BLUE	RCR1272 S/N 689802 to S/N _____ + S/N 927108 to S/N _____ +	
9.	326-075D85	REAR BRACE BLACK	RCR1272 S/N 927107-	
10.	326-214H	TAILWHEEL YOKE, RCR12 SERIES		
11.	326-227S	RPBY 326-368A	Obsolete	
12.	326-368A	LAM TIRE/WHEEL & YOKE ASY		
13.	326-400V	RPBY 326-368A	Obsolete	
14.	326-688D	WHEEL SPACER 1"ODX.109WLX5.37LG	Fits replacement hub #312-020D only	
15.	800-080C	GREASE ZERK 1/4-28 THD FORMING		

Hitch and Gauge Wheel Mount S/N 953490- (continued)**Applies to RCR1242, RCR1248, RCR1260, RCR1272**

Ref	Part No.	Part Description	Comments	Revision
16.	802-015C	RHSNB 3/8-16X1 GR5		
17.	802-034C	HHCS 1/2-13X1 1/4 GR5		
18.	802-055C	HHCS 5/8-11X2 GR5		
19.	802-062C	HHCS 5/8-11X5 GR5		
20.	802-095C	HHCS 3/4-10X7 GR5		
21.	802-155C	RHSNB 3/8-16X1 1/4 GR5		
22.	803-020C	NUT HEX 1/2-13 PLT		
23.	803-126C	NUT HEX JAM NYLOCK 3/4-10 PLT		
24.	803-198C	NUT HEX WHIZ 3/8-16 PLT		
25.	803-263C	NUT HEX FLANGE LOCK 5/8-11 PLT		
26.	803-271C	NUT HEX TOP LOCK 5/8-11 PLT		
27.	804-015C	WASHER LOCK SPRING 1/2 PLT		
28.	804-062C	WASHER MACH 1.88 X 1.25 X 10GA		
29.	805-111C	PIN DRAW 7/8 X 5		
30.	805-142C	PIN CLVS .75X3.26 USBL		
31.	805-143C	PIN HAIR COTTER .120 PLT		
32.	805-434C	PIN ROLL 10MM X 50MM PLT		
33.	814-058C	TIRE & WHEEL LAMINATED 4.0 X 8		
34.	09-014	ZERK, M8X1 GREASE	S/N 674390+	
34.	800-080C	GREASE ZERK 1/4-28 THD FORMING	S/N 674389-	

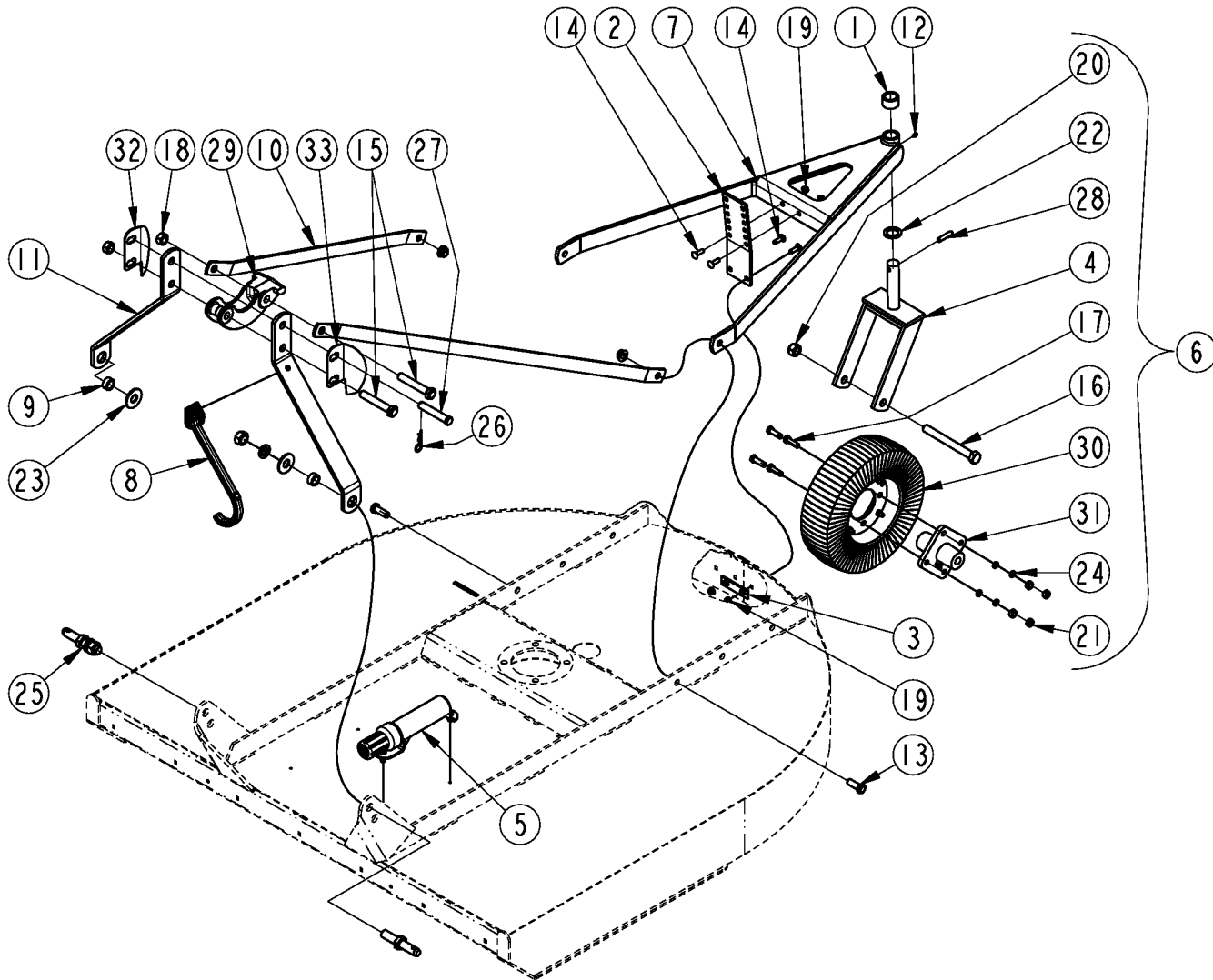
Hitch and Gauge Wheel Mount S/N 953490- (continued)

Applies to RCR1242, RCR1248, RCR1260, RCR1272

This Page Intentionally Left Blank

Hitch and Gauge Wheel Mount S/N 953491+

Applies to RCR1242, RCR1248, RCR1260, RCR1272



37559

Hitch and Gauge Wheel Mount S/N 953491+**Applies to RCR1242, RCR1248, RCR1260, RCR1272**

Ref	Part No.	Part Description	Comments	Revision
	Dwg 37559	Image No.		
1.	310-251D	G.W. SPACER 1		
2.	312-850D	GAUGE WHEEL ADJ. FLAT		
3.	312-851D	GAUGE WHEEL SUPPORT FLAT		
4.	326-214H	TAILWHEEL YOKE, RCR12 SERIES		
5.	326-282S	MANUAL CONTAINER KIT, 1"	For a parts breakdown see "Manual Tube" page	
6.	326-368A	LAM TIRE/WHEEL & YOKE ASY		
7.	327-183H	TAILWHEEL A-ARM WLDMT	RCR1242 & RCR1248 (RCR1248 changed appearance to look like RCR1260 & RCR1272) (S/N 1089012+)	
7.	326-268H	RPBY 327-183H	Obsolete (RCR1248) (S/N 1089011-)	
7.	327-142H	GAUGE WHEEL MAINFRAME WLDMT.	RCR1260 & RCR1272	
8.	327-182S	DRIVELINE HANGER W/HARDWARE	S/N 1056087+ See "Driveline Hanger (327-182S)" page for parts breakdown	
8.	327-143S	DRIVELINE HOLDER W/HARDWARE	S/N 1056086- See "Driveline Hanger (327-143S)" page for parts breakdown	
9.	327-437D	BUSHING 1.25ODX.89X.56LG		
10.	327-534D	REAR BRACE RCR1242	RCR1242 BEIGE	
10.	327-534D81	REAR BRACE RCR1242 GREEN	RCR1242 GREEN	
10.	327-534D82	REAR BRACE RCR1242 ORANGE	RCR1242 ORANGE	
10.	327-534D83	REAR BRACE RCR1242 RED	RCR1242 RED	
10.	327-534D84	REAR BRACE RCR1242 BLUE	RCR1242 BLUE	
10.	327-534D85	REAR BRACE RCR1242 BLACK	RCR1242 BLACK	
10.	327-458D	REAR BRACE 12 & 1548	RCR1248 & RCR1548 BEIGE	
10.	327-458D81	REAR BRACE 12 & 1548 GREEN	RCR1248 & RCR1248 GREEN	
10.	327-458D82	REAR BRACE 12 & 1548 ORANGE	RCR1248 & RCR1548 ORANGE	
10.	327-458D83	REAR BRACE 12 & 1548 RED	RCR1248 & RCR1548 RED	
10.	327-458D84	REAR BRACE 12 & 1548 BLUE	RCR1248 & RCR1548 BLUE	
10.	327-458D85	REAR BRACE 12 & 1548 BLACK	RCR1248 & RCR1548 BLACK	
10.	327-449D	REAR BRACE 60	RCR1260 BEIGE	
10.	327-449D81	REAR BRACE 60 GREEN	RCR1260 GREEN	
10.	327-449D82	REAR BRACE 60 ORANGE	RCR1260 ORANGE	
10.	327-449D83	REAR BRACE 60 RED	RCR1260 RED	
10.	327-449D84	REAR BRACE 60 BLUE	RCR1260 BLUE	
10.	327-449D85	REAR BRACE 60 BLACK	RCR1260 BLACK	
10.	327-435D	REAR BRACE 72	RCR1272 BEIGE	
10.	327-435D81	REAR BRACE 72 GREEN	RCR1272 GREEN	
10.	327-435D82	REAR BRACE 72 ORANGE	RCR1272 ORANGE	
10.	327-435D83	REAR BRACE 72 RED	RCR1272 RED	
10.	327-435D84	REAR BRACE 72 BLUE	RCR1272 BLUE	
10.	327-435D85	REAR BRACE 72 BLACK	RCR1272 BLACK	
11.	327-461D	A FRAME 48 & 60	RCR1242, RCR1248 & RCR1260 BEIGE	
11.	327-461D81	A FRAME 48 & 60 GREEN	RCR1242, RCR1248 & RCR1260 GREEN	
11.	327-461D82	A FRAME 48 & 60 ORANGE	RCR1242, RCR1248 & RCR1260 ORANGE	
11.	327-461D83	A FRAME 48 & 60 RED	RCR1242, RCR1248 & RCR1260 RED	
11.	327-461D84	A FRAME 48 & 60 BLUE	RCR1242, RCR1248 & RCR1260 BLUE	
11.	327-461D85	A FRAME 48 & 60 BLACK	RCR1248 & RCR1260 BLACK	
11.	312-946D	A-FRAME 72	RCR1272 BEIGE	
11.	312-946D81	A-FRAME 72 GREEN	RCR1272 GREEN	
11.	312-946D82	A-FRAME 72 ORANGE	RCR1272 ORANGE	

Hitch and Gauge Wheel Mount S/N 953491+ (continued)**Applies to RCR1242, RCR1248, RCR1260, RCR1272**

Ref	Part No.	Part Description	Comments	Revision
11.	312-946D83	A-FRAME 72 RED	RCR1272 RED	
11.	312-946D84	A-FRAME 72 BLUE	RCR1272 BLUE	
11.	312-946D85	A-FRAME 72 BLACK	RCR1272 BLACK	
12.	800-080C	GREASE ZERK 1/4-28 THD FORMING		
13.	802-053C	HHCS 5/8-11X1 3/4 GR5		
14.	802-155C	RHSNB 3/8-16X1 1/4 GR5		
15.	802-192C	HHCS 3/4-10X4 1/2 GR5	S/N 998062+	
16.	802-964C	HHCS M20X2.50X190 GR12.9		
17.	802-977C	HHCS M12X1.75X40 GR8.8		
18.	803-077C	RPBY 803-026C	Obsolete (S/N 979509+)	
19.	803-198C	NUT HEX WHIZ 3/8-16 PLT		
19.	803-181C	NUT HEX FLANGE LOCK 3/4-10 PLT	S/N 979508-	
20.	803-393C	NUT HEX NYLOCK M20X2.5		
21.	803-446C	NUT HEX M12X1.75 PLT		
22.	804-062C	WASHER MACH 1.88 X 1.25 X 10GA		
23.	804-134C	WASHER FLAT 7/8 USS PLT		
24.	804-159C	WASHER SPRING LOCK M12 PLT		
25.	805-111C	PIN HTCH C1 7/8-14 THD W/N		
26.	805-143C	PIN HAIR COTTER .120 PLT		
27.	805-228C	PIN CLVS .75X3.94 USBL		
28.	805-434C	PIN ROLL 10MM X 50MM PLT		
29.	812-500C	FLOAT TOP HITCH CAST DUCTILE		
30.	814-058C	TIRE & WHEEL LAMINATED 4.0 X 8		
31.	814-631C	TAIL WHEEL HUB W/ZERK		
32.	327-763D	SHIELD UPPER RH	S/N 1341733+ Include decal 858-148C see decal placement	
33.	327-764D	SHIELD UPPER LH	S/N 1341733+ Include decal 858-148C see decal placement	

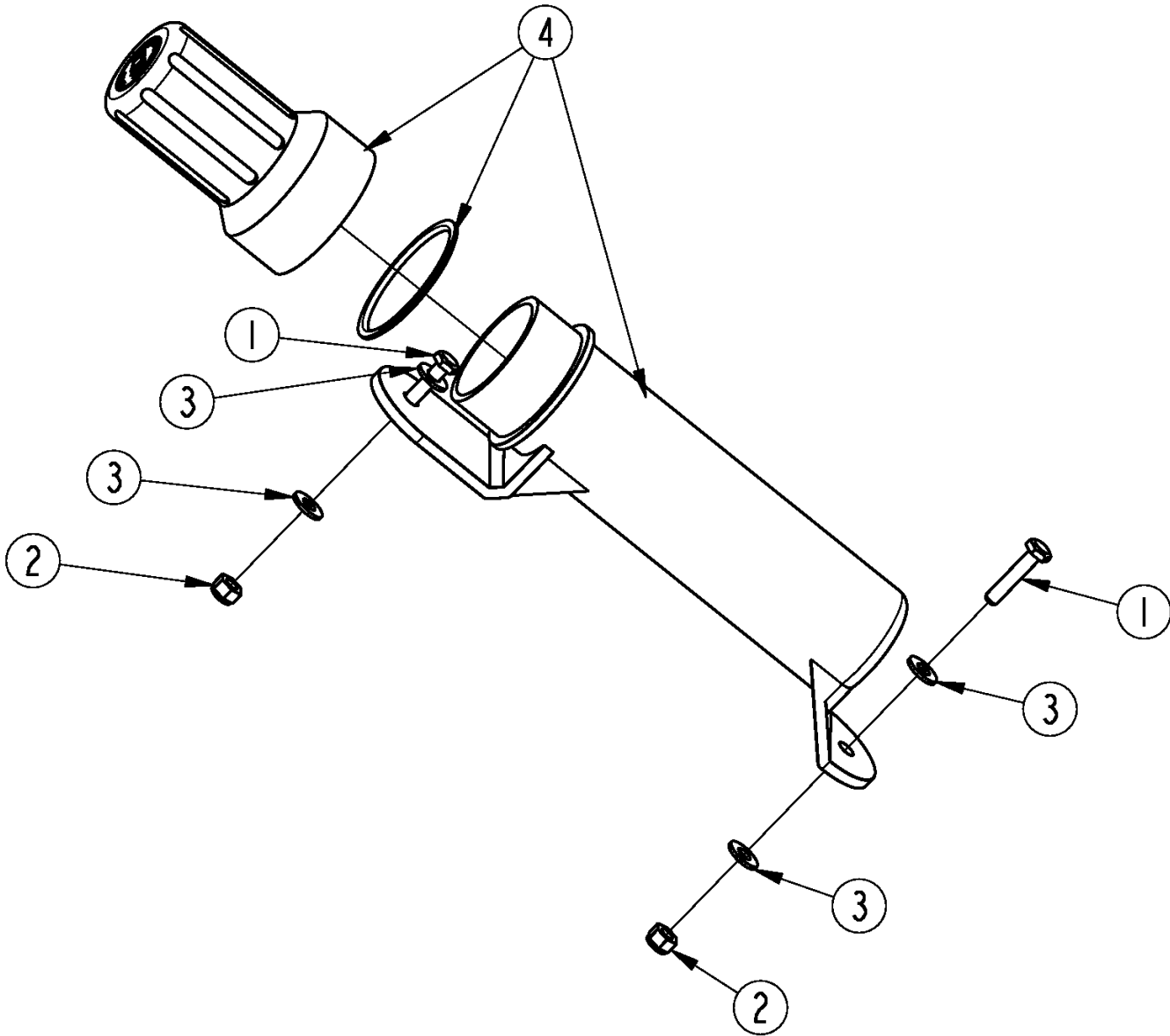
Hitch and Gauge Wheel Mount S/N 953491+ (continued)

Applies to RCR1242, RCR1248, RCR1260, RCR1272

This Page Intentionally Left Blank

Manual Tube

Applies to RCR1242, RCR1248, RCR1260, RCR1272



39163

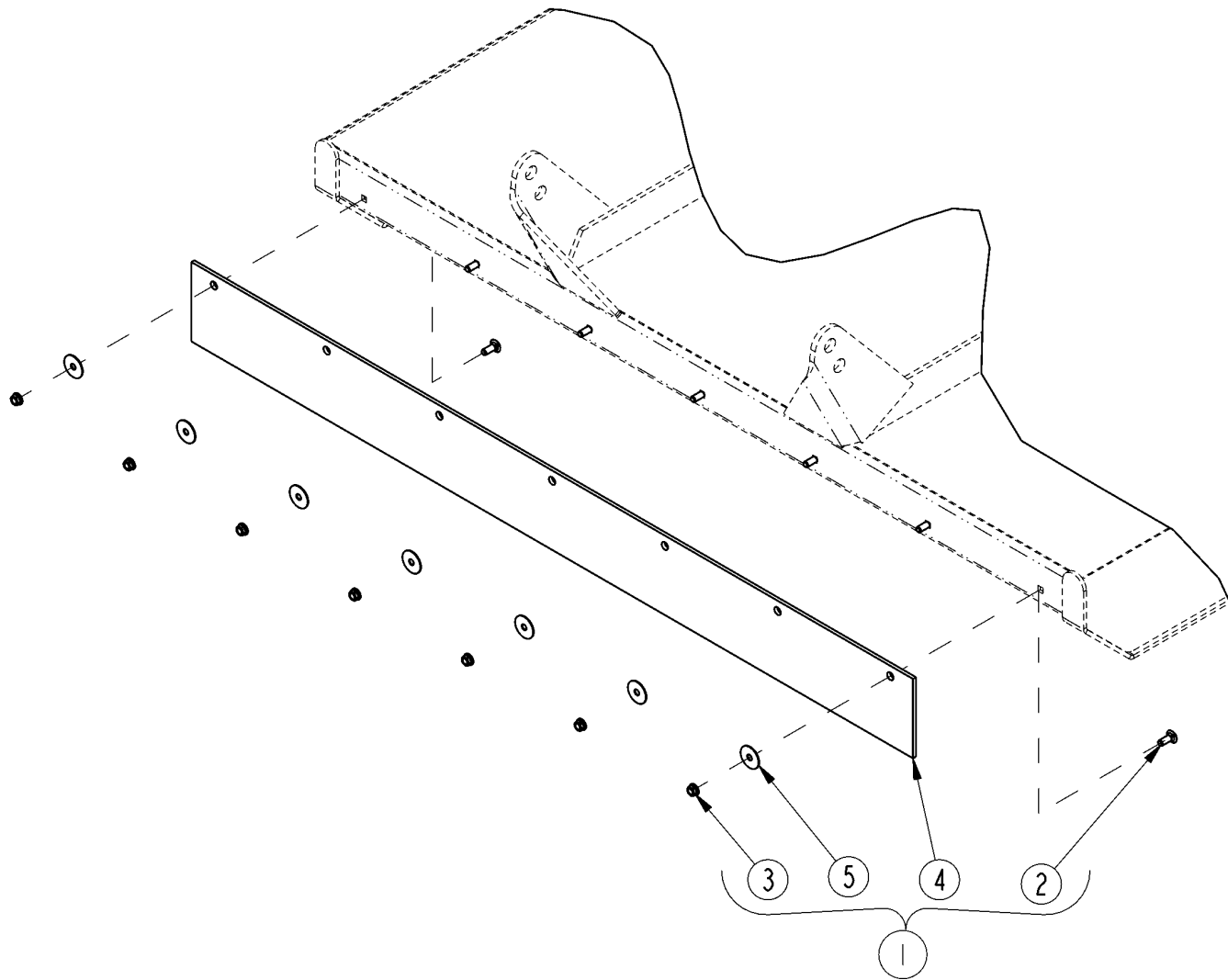
Manual Tube

Applies to RCR1242, RCR1248, RCR1260, RCR1272

Ref	Part No.	Part Description	Comments	Revision
	Dwg 39163 326-282S	Image No. MANUAL CONTAINER KIT, 1" *		
1.	802-005C	HHCS 1/4-20X1 GR5		
2.	803-255C	NUT HEX NYLOCK 1/4-20		
3.	804-007C	WASHER FLAT 1/4 SAE PLT		
4.	816-504C	MANUAL STORAGE CONTAINER		

Rubber Guarding-Front

Applies to RCR1242, RCR1248, RCR1260, RCR1272



30310

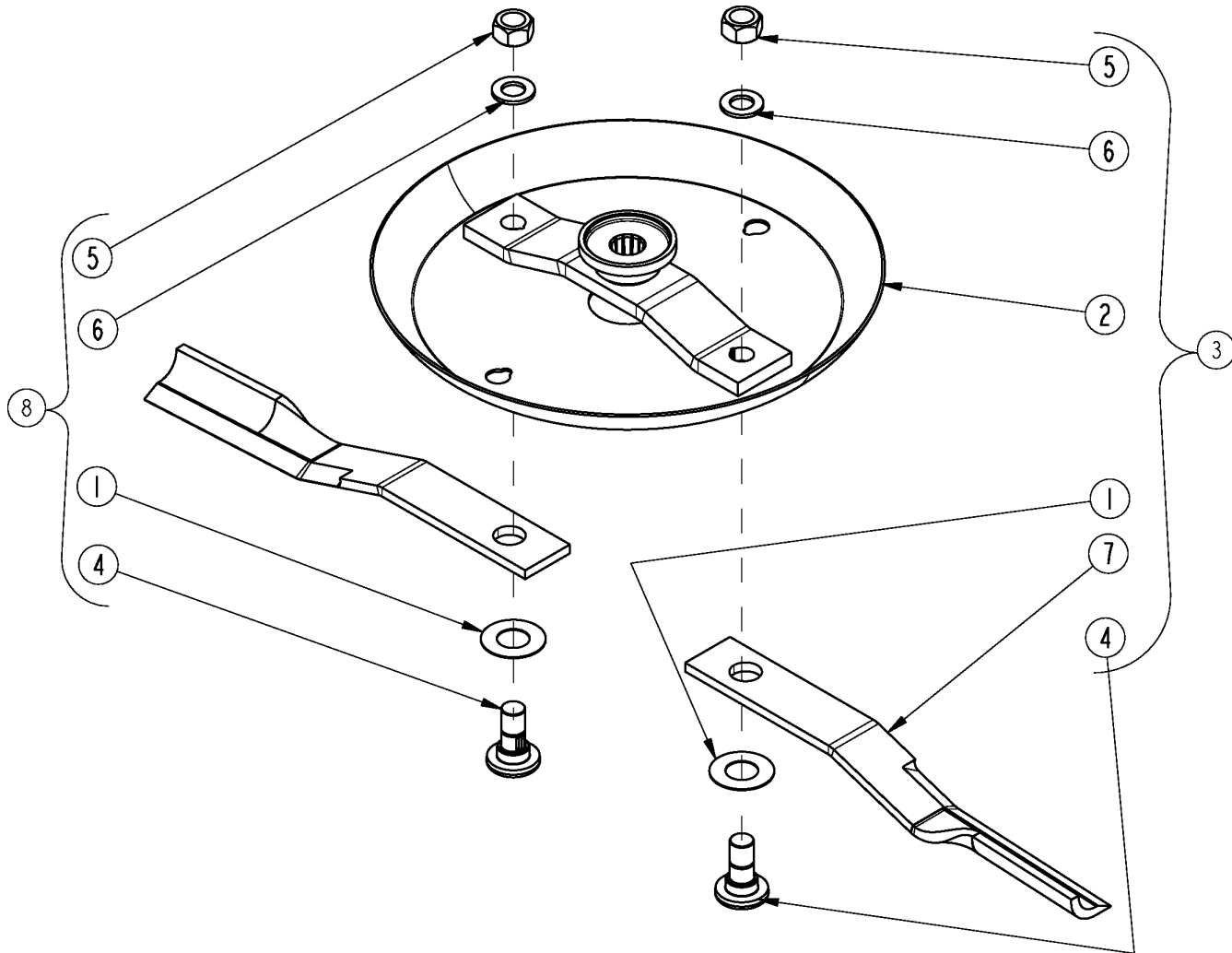
Rubber Guarding-Front

Applies to RCR1242, RCR1248, RCR1260, RCR1272

Ref	Part No.	Part Description	Comments	Revision
	dwg30310	Drawing Image Number		
1.	326-212A	FRONT RUBBER GUARD 1248		
1.	326-406S	FRONT RUBBER GUARD 1260		
1.	326-408S	FRONT RUBBER GUARD 1272		
2.	802-015C	RHSNB 3/8-16X1 GR5		
3.	803-198C	NUT HEX WHIZ 3/8-16 PLT		
4.	816-322C	RCR1548 FRONT RUBBER DEF.		
4.	816-561C	RUBBER DEFLECTOR FRONT RCR1260		
4.	816-575C	RUBBER DEFLECTOR FRONT RCR1272		
5.	840-108C	WASHER FENDER 1.5OD X.4IDX.06T		

Blade Carrier

Applies to RCR1242, RCR1248, RCR1260, RCR1272



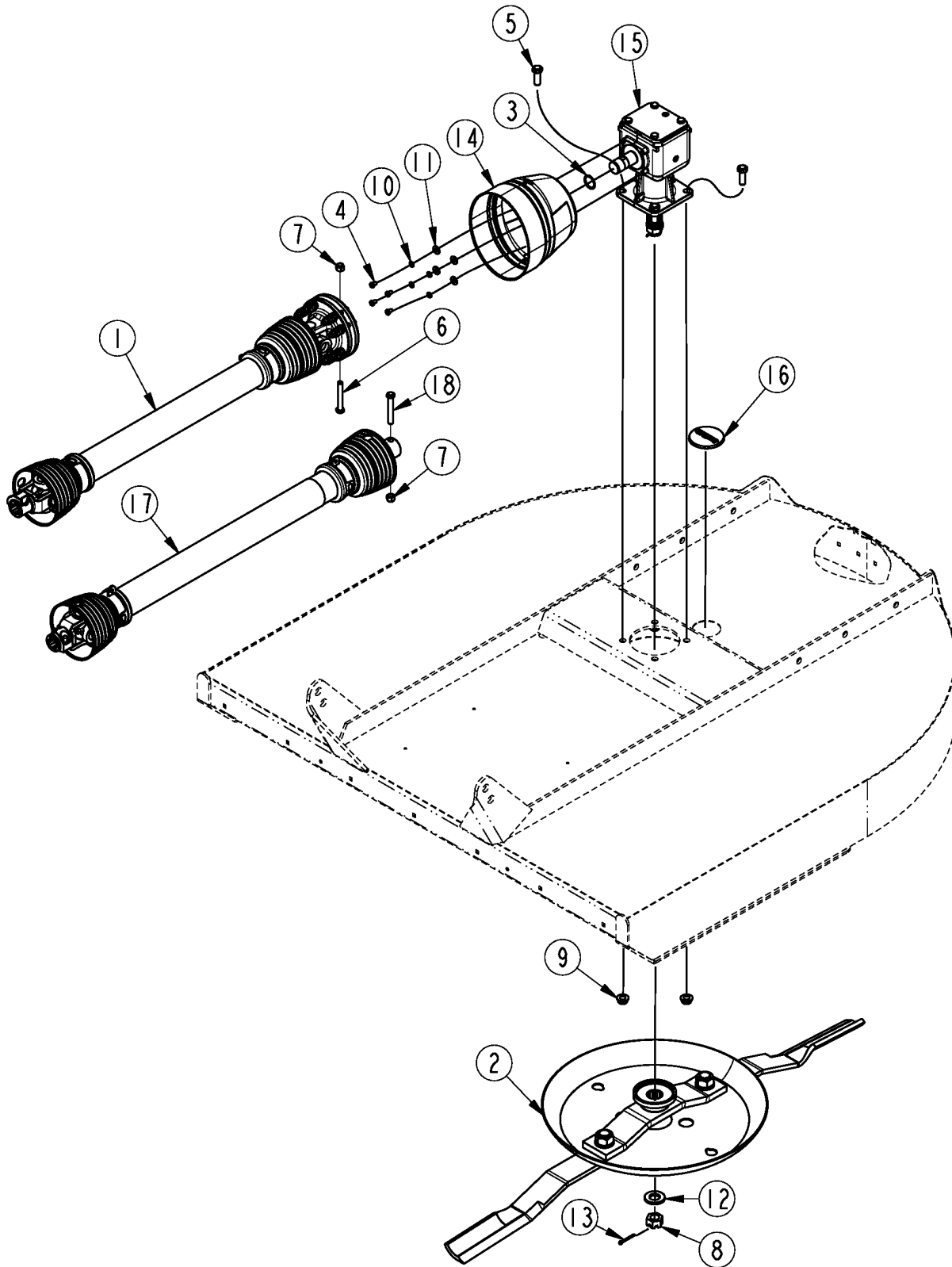
30309

Blade Carrier**Applies to RCR1242, RCR1248, RCR1260, RCR1272**

Ref	Part No.	Part Description	Comments	Revision
	Dwg 30309	Drawing Image Number		
1.	312-075D	BLADE SPACER 16 GA .06 THICK	As Required S/N 776426-	
1.	312-082D	RPBY 312-808D QTY 2	As Required S/N 776426-	
1.	312-089D	BLADE SPACER 20 GA. .04 THICK	As Required S/N 776426-	
1.	312-808D	BLADE SPACER 24GA .03 THICK	As Required S/N 776426-	
1.	326-847D	BLADE SPACER 28 GA. .015 Thick	As Required S/N 776426-	
2.	326-386H	15 DSHPN WMT SM.HUB(COMR) 3/16	S/N 806672+	
2.	326-367H	RPBY 326-386H	S/N 806671-	
3.	N/A	BLADE CARRIER ASY		
4.	802-920C	BLD BOLT 1 1/8-12X3.5 W/.18KEY		
5.	803-170C	NUT HEX TOP LOCK 1 1/8-12 PLT.		
6.	804-147C	WASHER FLAT 1" HARDENED	S/N 772094+	
6.	804-212C	WASHER FLAT 2ODX1.16IDX.31 THK	S/N 772093-	
7.	820-229C	CUTTER BLADE 1/2X3X15.75 CCW	RCR1242	
7.	820-065C	CUTTER BLADE 1/2 X3X18 3/4 CCW	RCR1248	
7.	820-198C	CUTTER BLADE 1/2 X3X25 CCW	RCR1260	
7.	820-199C	CUTTER BLADE 1/2 X3X31 CCW	RCR1272	
8.	326-185A	BLADE BOLT KIT 3/16"KEY	Service Kit With Manual	

Blade Drive RCR1242/48/60

Applies to RCR1242, RCR1248, RCR1260



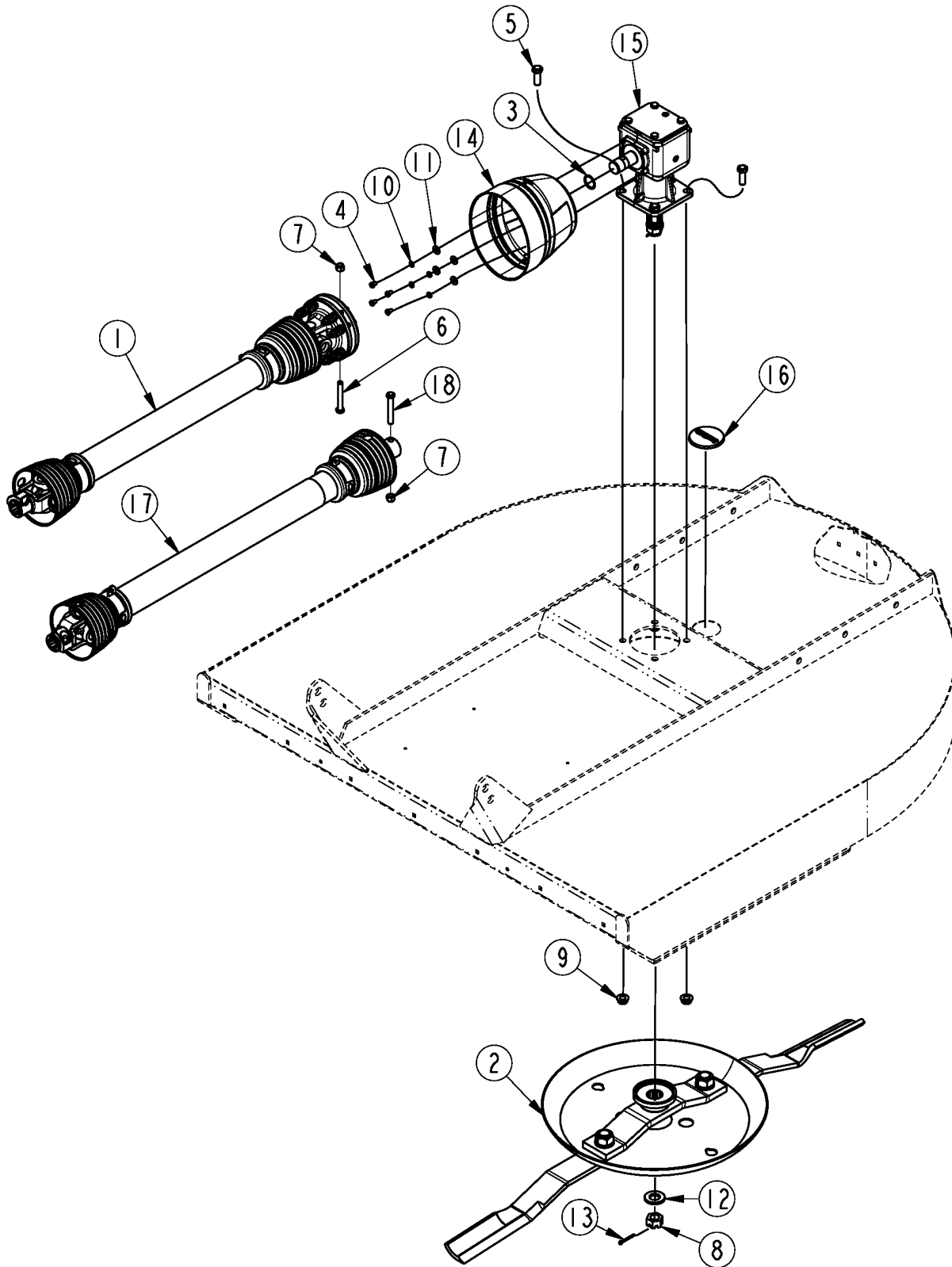
30308

Blade Drive RCR1242/48/60**Applies to RCR1242, RCR1248, RCR1260**

Ref	Part No.	Part Description	Comments	Revision
	Dwg 30308	Drawing Image Number		
1.	327-177A	DRIVELINE SHEAR BLT RCR1242		
1.	326-383A	DRIVELINE SLIP CLUTCH RCR1248	RCR1248 Slip Clutch	
1.	326-065A	DRVLN SLIP CLTCH RCR1260	RCR1260 Slip Clutch	
2.	N/A	SEE BLADE CARRIER FOR COMPONENTS		
3.	800-079C	SNAP RING EXT 1 3/8 5100-137		
4.	802-459C	HHCS M8X1.25X16 GR8.8	S/N 1367747+	
4.	802-705C	HHCS 5/16-18X5/8 GR5	S/N 1367746-	
5.	802-053C	HHCS 5/8-11X1 3/4 GR5 FTHD	S/N 1367747+	
5.	802-055C	HHCS 5/8-11X2 GR5	S/N 1367746-	
6.	802-265C	HHCS 1/2-13X3 1/2 GR8	Slip Clutch Driveline	
7.	803-147C	NUT HEX NYLOCK 1/2-13	S/N 758940+ (Nut & jam nut combination was used at S/N 758939 and below)	
8.	803-095C	NUT HEX SLOTTED 1-14		
9.	803-263C	NUT HEX FLANGE LOCK 5/8-11 PLT	S/N 1367747+	
9.	803-148C	NUT HEX NYLOCK 5/8-11 PLT	S/N 1367746-	
10.	804-009C	WASHER LOCK SPRING 5/16 PLT		
11.	804-010C	WASHER FLAT 5/16 USS PLT		
12.	804-070C	FLAT WASHER 1 SPECIAL		
13.	805-017C	PIN COTTER 3/16 X 1 3/4 PLT		
14.	826-240C	SMALL SHAFT CONE W ACCESS DOOR		
15.	826-867C	RCR12 GBOX 1:1.93 SPEED UP	S/N 1367747+ RCR1248 & 60	
15.	826-670C	RPBY 826-867C	S/N 1367746- (Obsolete) RCR1248 & 60	
16.	840-273C	PLUG LP 3" ID RUBBER		
17.	327-178A	DRIVELINE SLIP CLUTCH RCR1242		
17.	326-378A	DRIVELINE SHEAR BLT RCR1248	RCR1248 Shear Bolt	
17.	326-369A	DRVLN SHEAR BLT RCR1260	RCR1260 Shear Bolt	
18.	802-264C	HHCS 1/2-13X3 1/2 GR2	Shear Bolt Driveline	

Blade Drive RCR1272

Applies to RCR1272



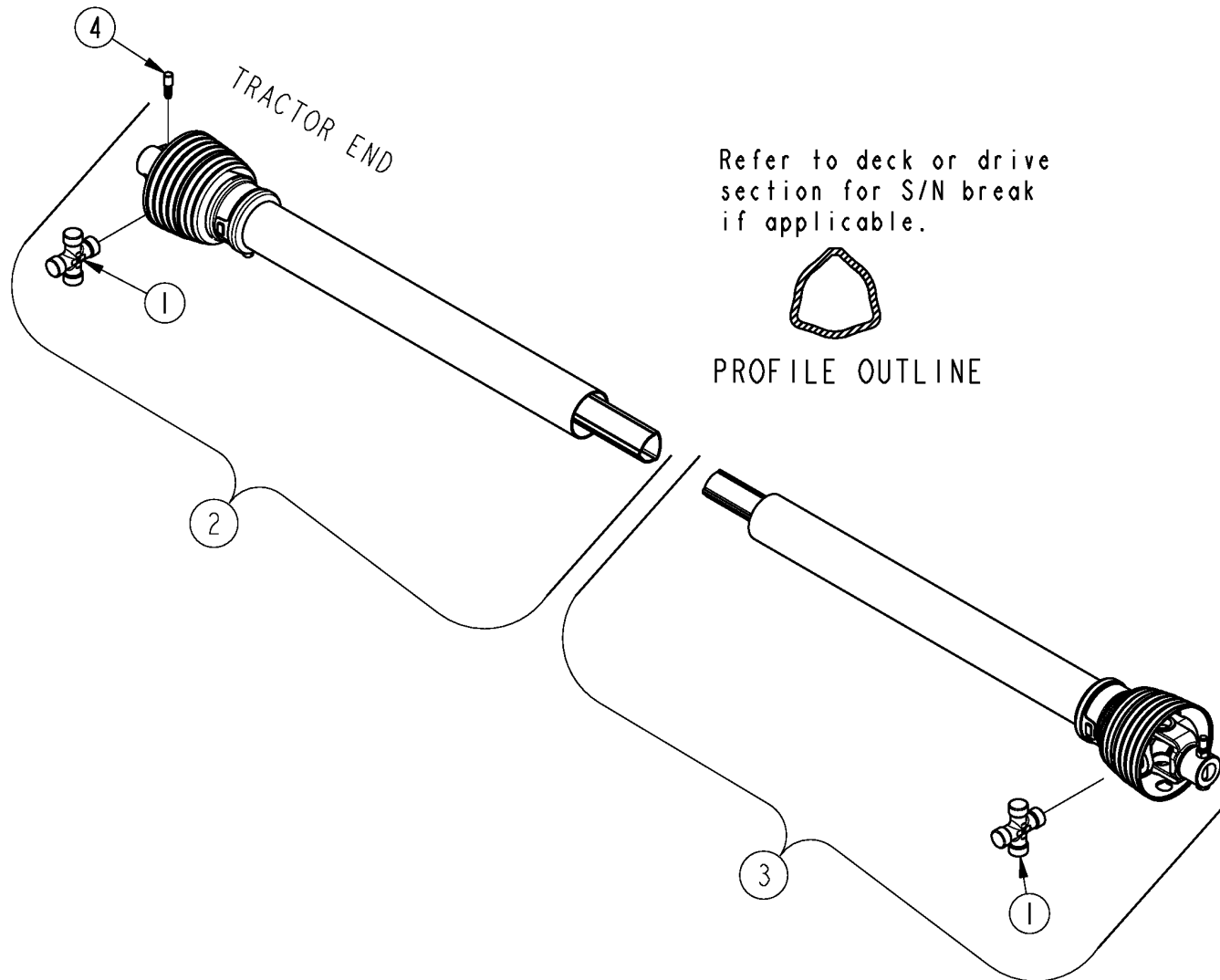
30308

Blade Drive RCR1272**Applies to RCR1272**

Ref	Part No.	Part Description	Comments	Revision
	Dwg 30308	Drawing Image Number		
1.	326-067A	DRVLN SLIP CLTCH RCR1272	RCR1272 Slip Clutch	
2.	N/A	SEE BLADE CARRIER FOR COMPONENTS		
3.	800-079C	SNAP RING EXT 1 3/8 5100-137		
4.	802-459C	HHCS M8X1.25X16 GR8.8	S/N 1367747+	
4.	802-705C	HHCS 5/16-18X5/8 GR5	S/N 1367746-	
5.	802-053C	HHCS 5/8-11X1 3/4 GR5 FTHD	S/N 1367747+	
5.	802-055C	HHCS 5/8-11X2 GR5	S/N 1367746-	
6.	802-265C	HHCS 1/2-13X3 1/2 GR8	Slip Clutch Driveline	
7.	803-147C	NUT HEX NYLOCK 1/2-13	S/N 758940+ (Nut & jam nut combination was used at S/N 758939 and bellow)	
8.	803-095C	NUT HEX SLOTTED 1-14		
9.	803-263C	NUT HEX FLANGE LOCK 5/8-11 PLT	S/N 1367747+	
9.	803-148C	NUT HEX NYLOCK 5/8-11 PLT	S/N 1367746-	
10.	804-009C	WASHER LOCK SPRING 5/16 PLT		
11.	804-010C	WASHER FLAT 5/16 USS PLT		
12.	804-070C	FLAT WASHER 1 SPECIAL		
13.	805-017C	PIN COTTER 3/16 X 1 3/4 PLT		
14.	826-240C	SMALL SHAFT CONE W ACCESS DOOR		
15.	826-868C	RCR12 GBOX 1:1.47 SPEED UP	S/N 1387387+ RCR1272	
15.	826-671C	RPBY 826-868C	S/N 1387386- (Obsolete) RCR1272	
16.	840-273C	PLUG LP 3" ID RUBBER		
17.	326-370A	DRVLN SHEAR BLT RCR1272	RCR1272 Shear Bolt	
18.	802-264C	HHCS 1/2-13X3 1/2 GR2	Shear Bolt Driveline	

Driveline W/Shear Bolt (326-369A)

Applies to RCR1260



30317

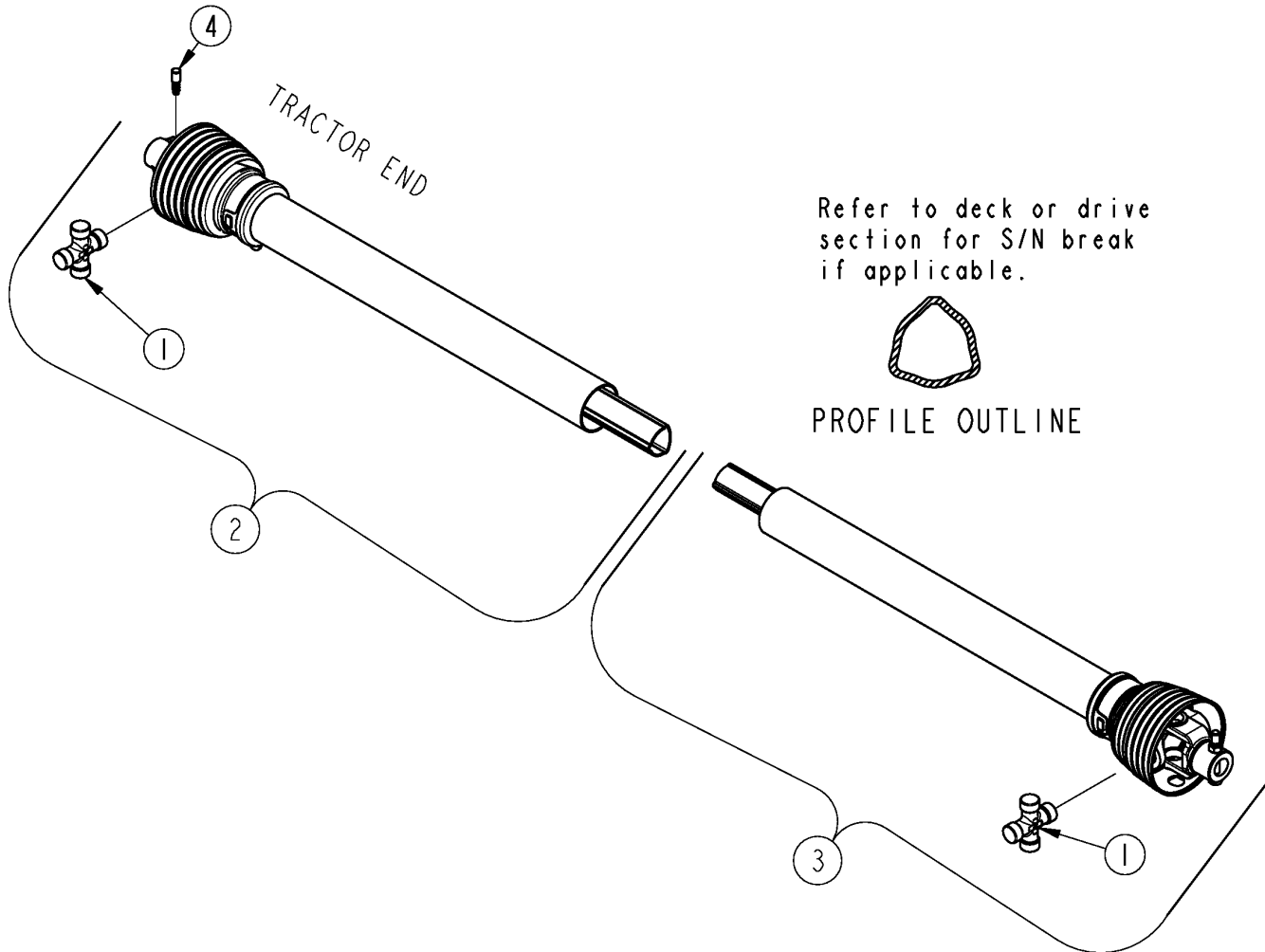
Driveline W/Shear Bolt (326-369A)

Applies to RCR1260

Ref	Part No.	Part Description	Comments	Revision
	Dwg 30317 326-369A	Drawing Image Number DRVLN SHEAR BLT RCR1260 *		
1.	1004020	EC CROSS ASSEMBLY (U JOINT)		
2.	326-454A	FRONT HALF, 326-369A DRVLN		
3.	326-455A	REAR HALF, 326-369A DRVLN		
4.	N/A			

Driveline W/Shear Bolt (326-370A)

Applies to RCR1272



30319

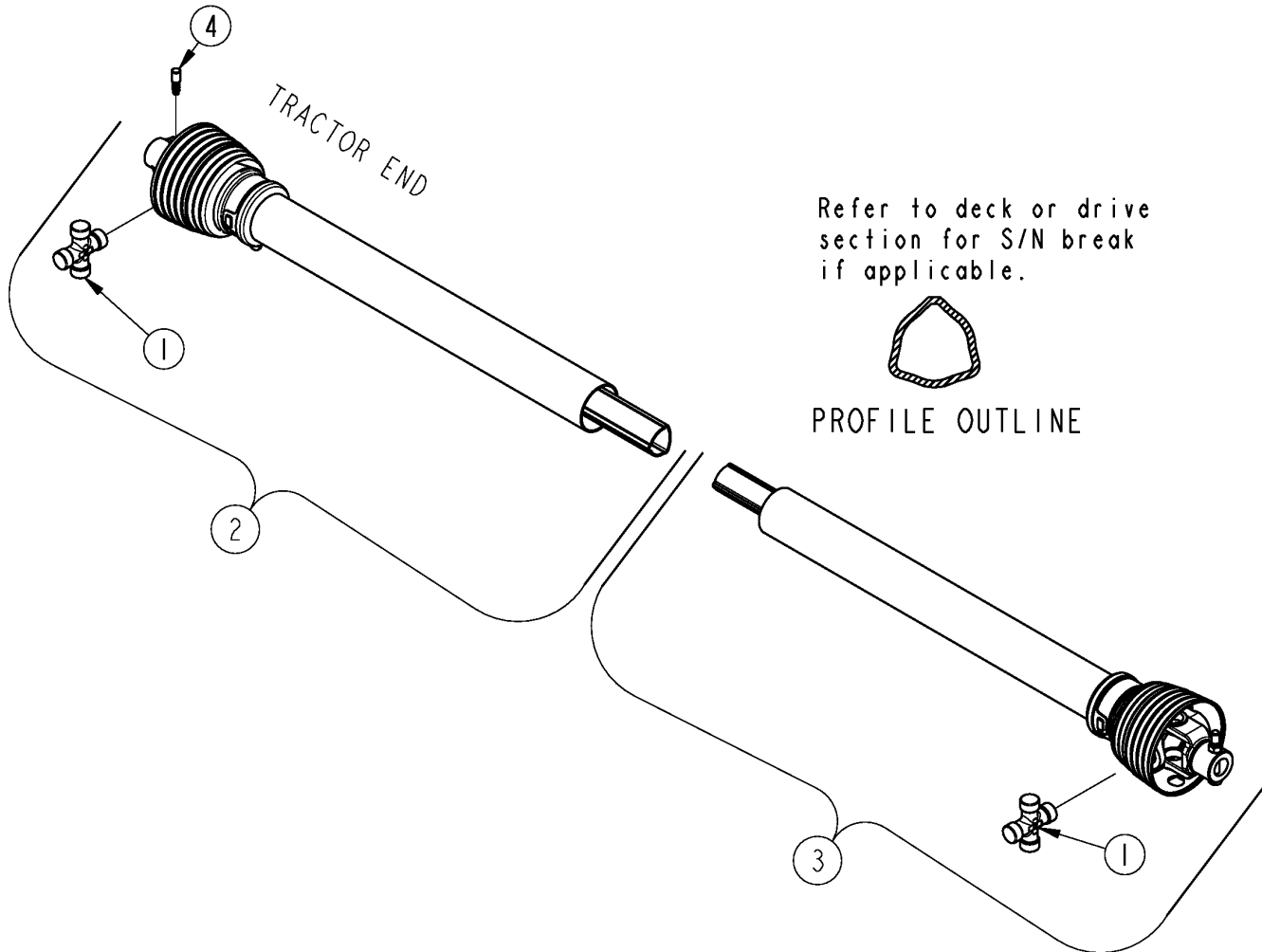
Driveline W/Shear Bolt (326-370A)

Applies to RCR1272

Ref	Part No.	Part Description	Comments	Revision
	Dwg 30319 326-370A	Drawing Image Number DRVLN SHEAR BLT RCR1272 *		
1.	1004020	EC CROSS ASSEMBLY (U JOINT)		
2.	326-456A	FRONT HALF, 326-370A DRVLN		
3.	326-457A	REAR HALF, 326-370A DRVLN		
4.	N/A			

Driveline W/Shear Bolt (326-378A) (327-177A)

Applies to RCR1242, RCR1248



30319

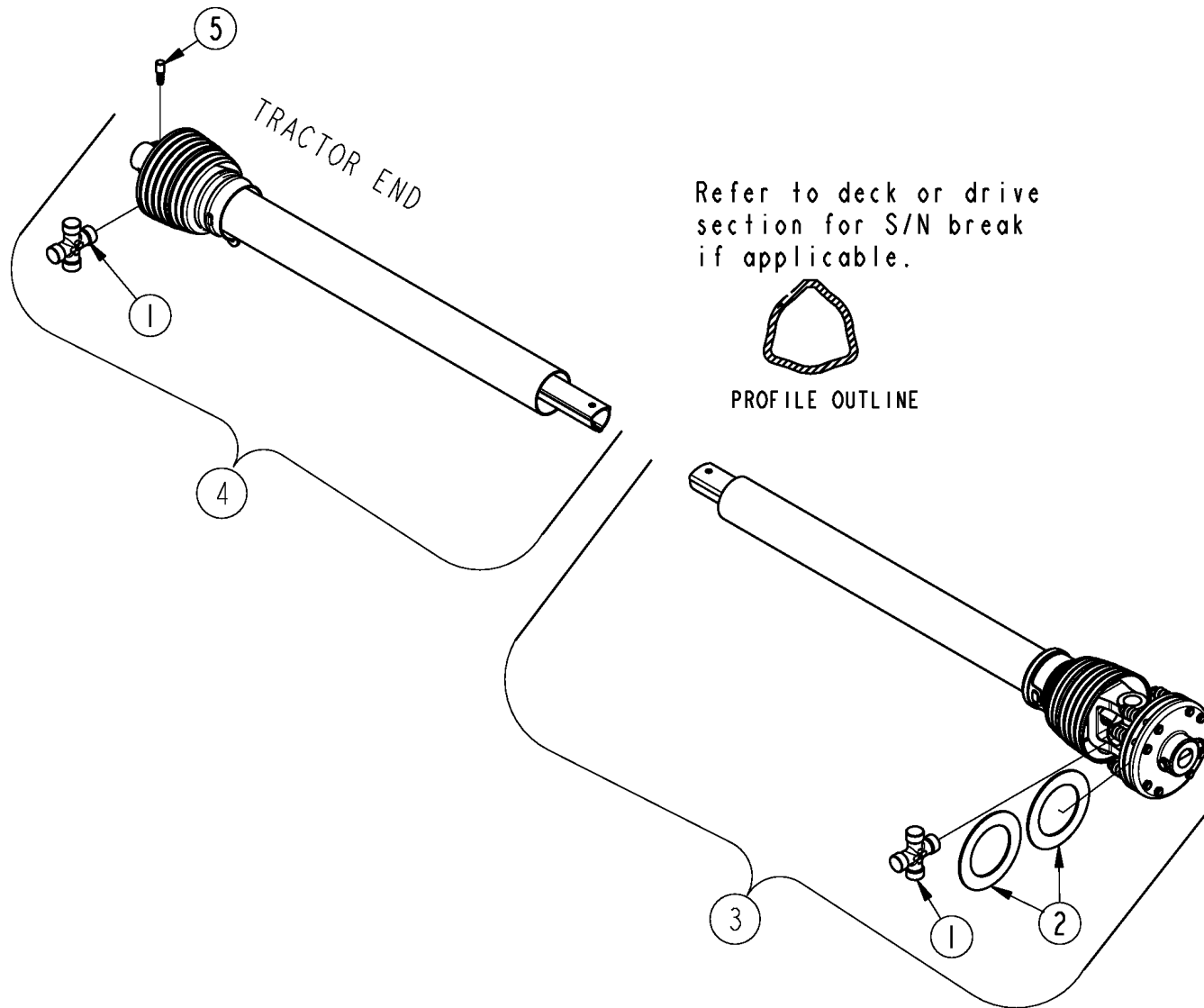
Driveline W/Shear Bolt (326-378A) (327-177A)

Applies to RCR1242, RCR1248

Ref	Part No.	Part Description	Comments	Revision
	Dwg 30319	Drawing Image Number		
	326-378A	DRIVELINE SHEAR BLT RCR1248	RCR1248	
	327-177A	DRIVELINE SHEAR BLT RCR1242	RCR1242	
		*		
1.	1004020	EC CROSS ASSEMBLY (U JOINT)		
2.	326-479A	FRONT HALF, 326-378A		
3.	326-480A	REAR HALF, 326-378A		
4.	N/A			

Driveline W/Slip Clutch (326-065A)

Applies to RCR1260



30549

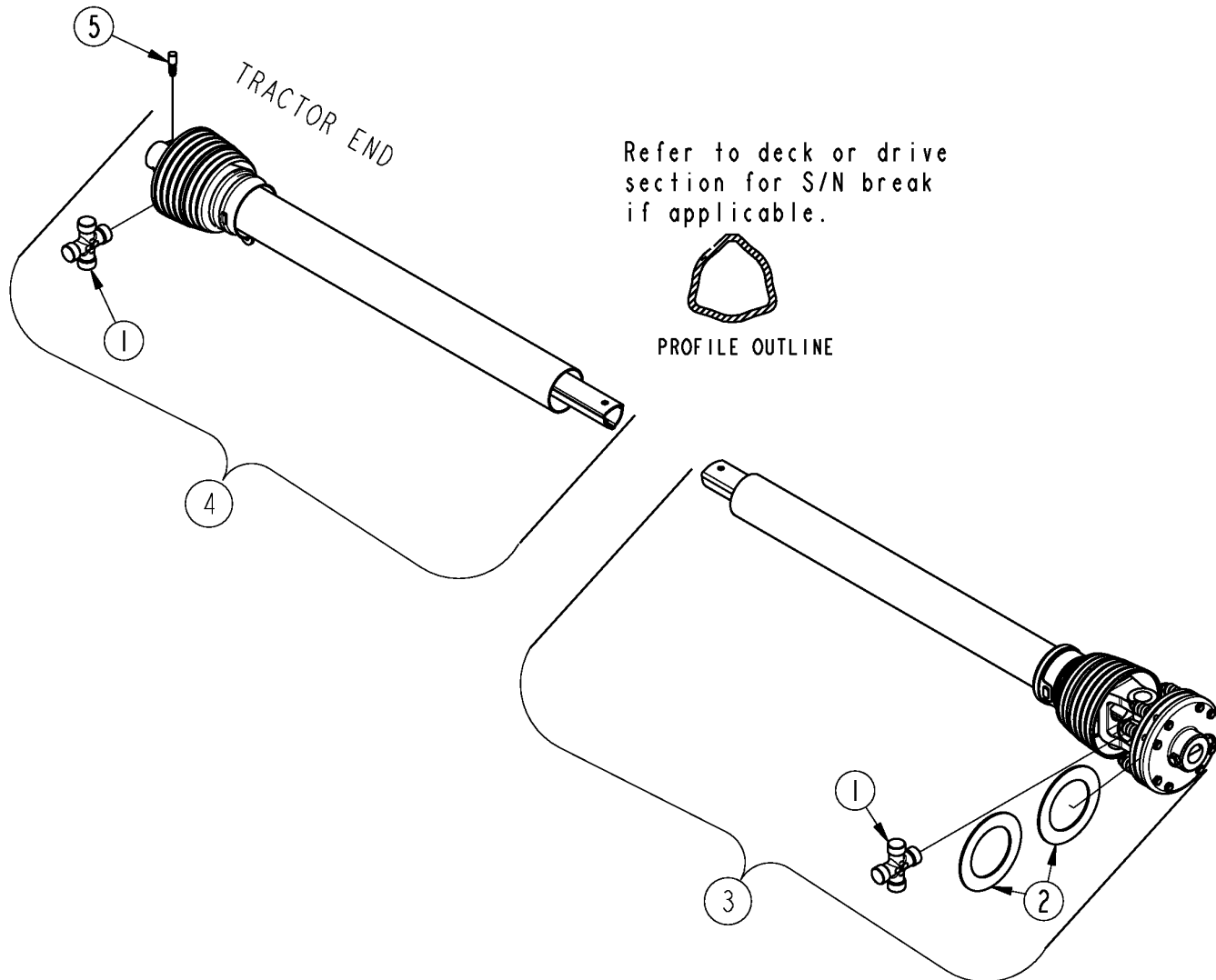
Driveline W/Slip Clutch (326-065A)

Applies to RCR1260

Ref	Part No.	Part Description	Comments	Revision
	Dwg 30549 326-065A	Drawing Image Number DRVLN SLIP CLTCH RCR1260 *		
1.	1004020	EC CROSS ASSEMBLY (U JOINT)		
2.	GRI-4SC003	VULCAN FRICTION DISC		
3.	326-451A	REAR HALF, 326-065A DRVLN		
4.	326-450A	FRONT HALF, 326-065A DRVLN		
5.	N/A			

Driveline W/Slip Clutch (326-067A)

Applies to RCR1272



30318

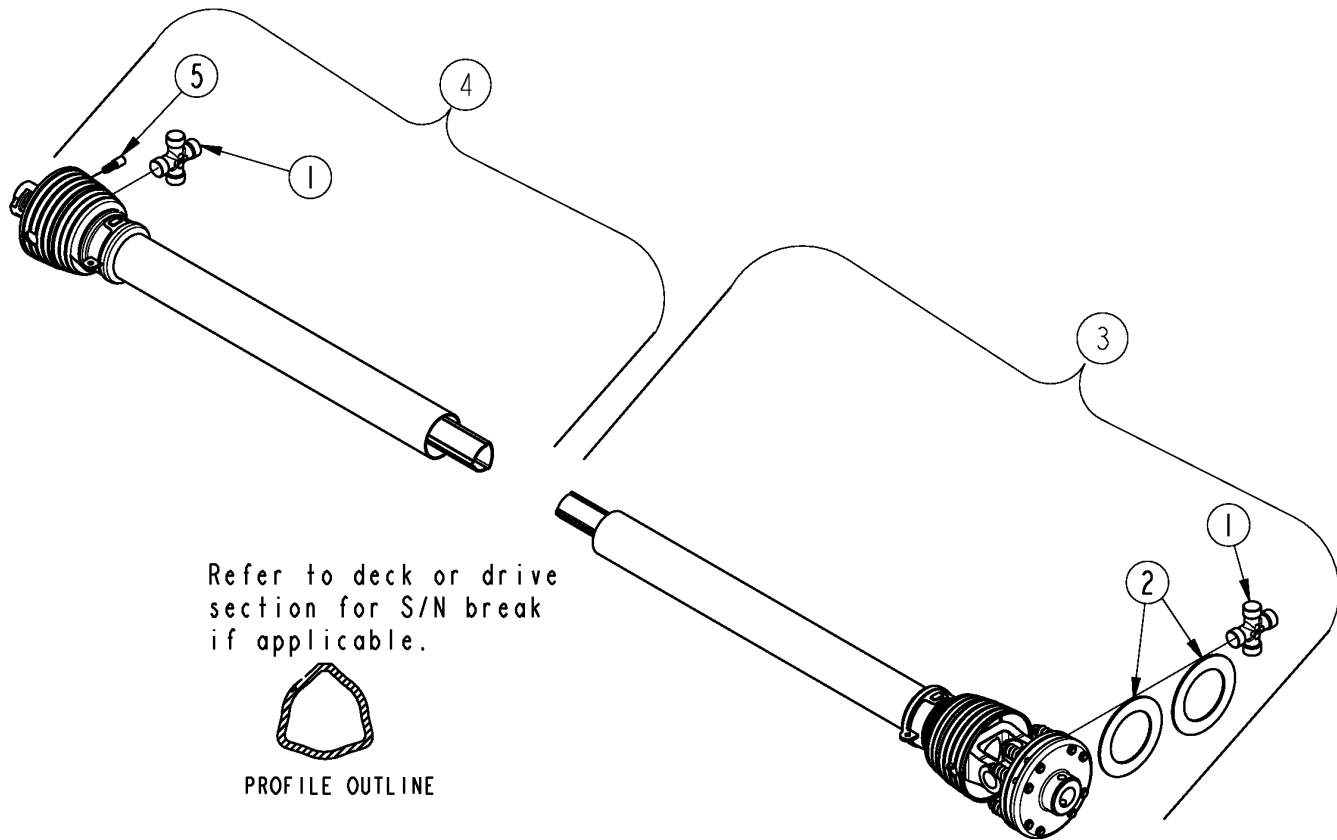
Driveline W/Slip Clutch (326-067A)

Applies to RCR1272

Ref	Part No.	Part Description	Comments	Revision
	Dwg 30318 326-067A	Drawing Image Number DRVLN SLIP CLTCH RCR1272 *		
1.	1004020	EC CROSS ASSEMBLY (U JOINT)		
2.	GRI-4SC003	VULCAN FRICTION DISC		
3.	326-453A	REAR HALF, 326-067A DRVLN		
4.	326-452A	FRONT HALF, 326-067A DRVLN		
5.	N/A			

Driveline W/Slip Clutch (326-383A) (327-178A)

Applies to RCR1242, RCR1248



30942

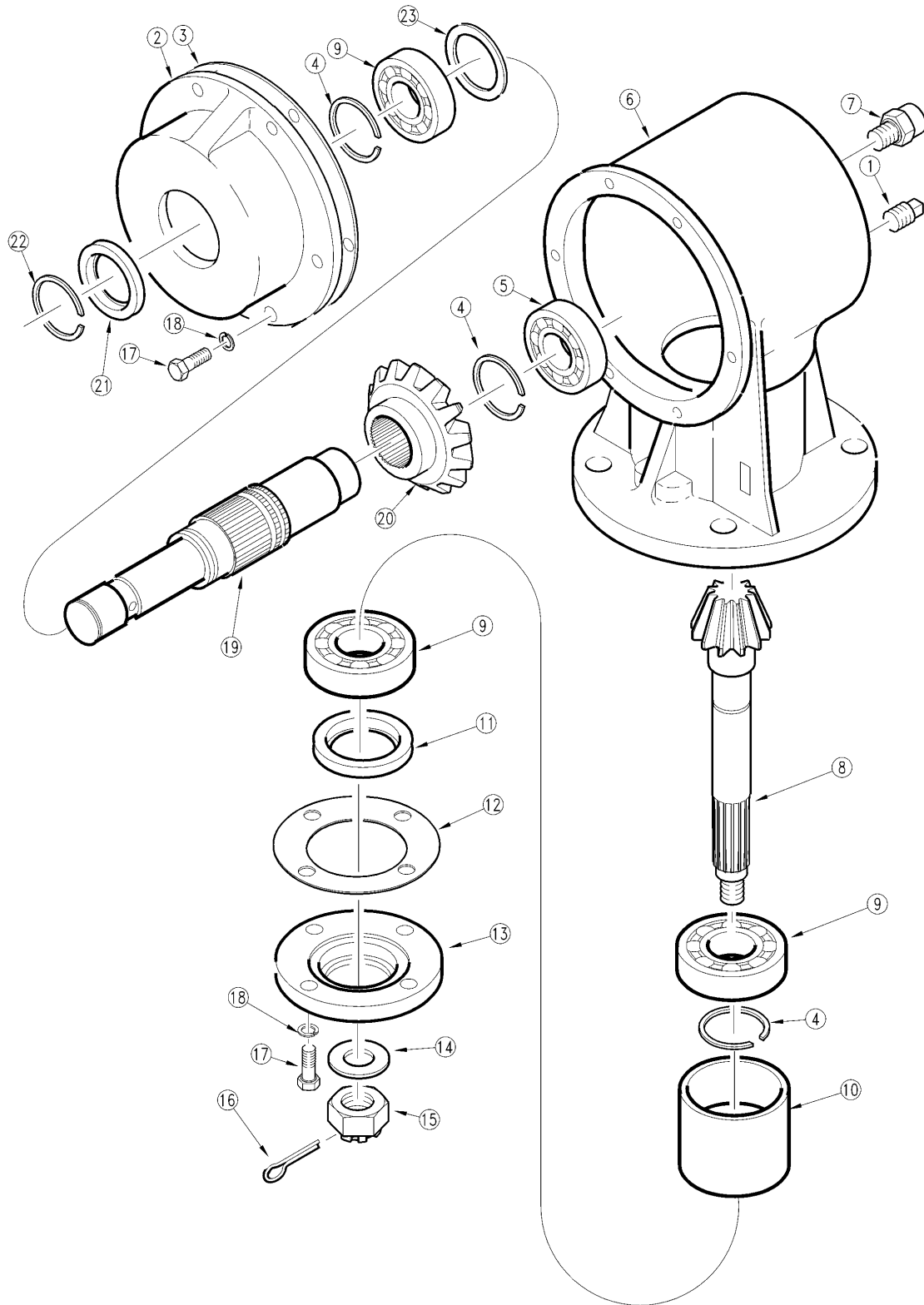
Driveline W/Slip Clutch (326-383A) (327-178A)

Applies to RCR1242, RCR1248

Ref	Part No.	Part Description	Comments	Revision
	Dwg 30942	Drawing Image Number		
	326-383A	DRIVELINE SLIP CLUTCH RCR1248	RCR1248	
	327-178A	DRIVELINE SLIP CLUTCH RCR1242	RCR1242	
		*		
1.	1004020	EC CROSS ASSEMBLY (U JOINT)		
2.	GRI-4SC003	VULCAN FRICTION DISC		
3.	326-482A	REAR HALF, 326-383A		
4.	326-481A	FRONT HALF, 326-383A		
5.	N/A			

Gearbox (826-670C)

Applies to RCR1242, RCR1248, RCR1260



14152

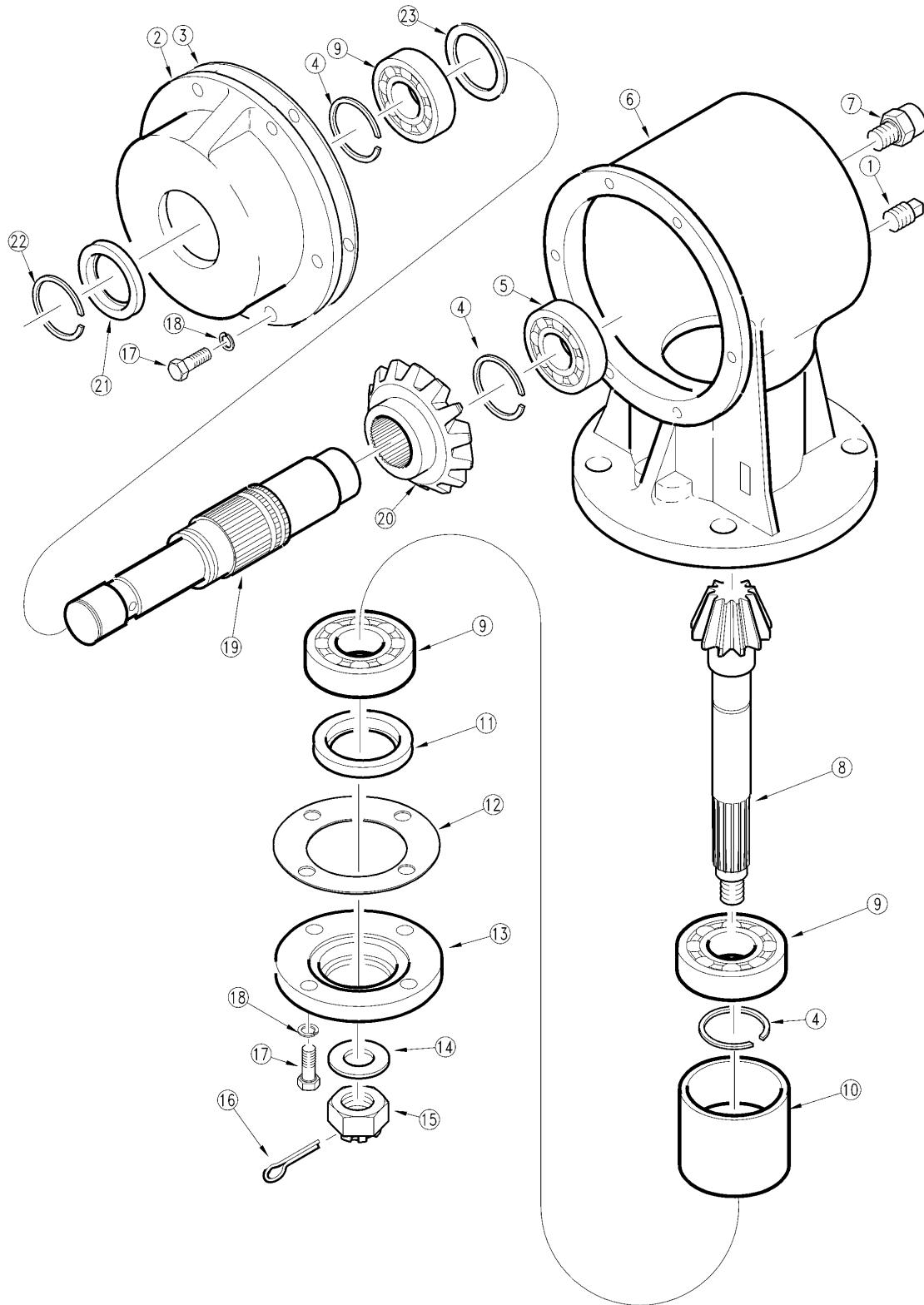
Gearbox (826-670C)**Applies to RCR1242, RCR1248, RCR1260**

Ref	Part No.	Part Description	Comments	Revision
	Dwg 14152 826-670C	Drawing Image Number RPBY 826-867C *	Obsolete	
1.	140017	OMNI PLUG PIPE SQ HEAD 1/8"		
2.	020161	OMNI CAP INPUT W/MTG. HOLES		
3.	070133	OMNI GASKET, INPUT CAP .10mm	Number of gaskets needed varies	
3.	070132	OMNI GASKET, INPUT CAP .15mm	Number of gaskets needed varies	
3.	070131	OMNI GASKET, INPUT CAP .40mm	Number of gaskets needed varies	
4.	200000	OMNI RETAINING RING		
5.	822-166C	BEARING BALL 6207		
6.	010001	OMNI HOUSING		
7.	140033	OMNI PLUG VENT 1/2-14 NPTF		
8.	030037	OMNI OUTPUT PIN 4' RC 15T		
9.	822-188C	BALL BEARING 6208		
10.	090000	OMNI SPACER		
11.	060061	OMNI OUTPUT SEAL TRIPLE LIP		
12.	070136	OMNI GASKET, OUTPUT CAP .10mm	Number of gaskets needed varies	
12.	070135	OMNI GASKET, OUTPUT CAP .15mm	Number of gaskets needed varies	
12.	070134	OMNI GASKET, OUTPUT CAP .40mm	Number of gaskets needed varies	
13.	020003	OMNI OUTPUT CAP		
14.	804-070C	FLAT WASHER 1" SPECIAL		
15.	803-095C	NUT HEX SLOTTED 1-14		
16.	805-017C	PIN COTTER 3/16 X 1 3/4 PLT		
17.	802-017C	HHCS 3/8-16X1 GR5		
18.	804-013C	WASHER LOCK SPRING 3/8 PLT		
19.	040040	OMNI INPUT SHAFT 4' RC		
20.	030036	OMNI INPUT GEAR 4' RC 29T		
21.	060060	OMNI INPUT SEAL TRIPLE LIP		
22.	200001	OMNI RETAINING RING		
23.	200040	OMNI RETAINING RING *		

Notes: Oil Type 80-90W Capacity 1.1 Pints

Gearbox (826-671C)

Applies to RCR1272



14152

Gearbox (826-671C)**Applies to RCR1272**

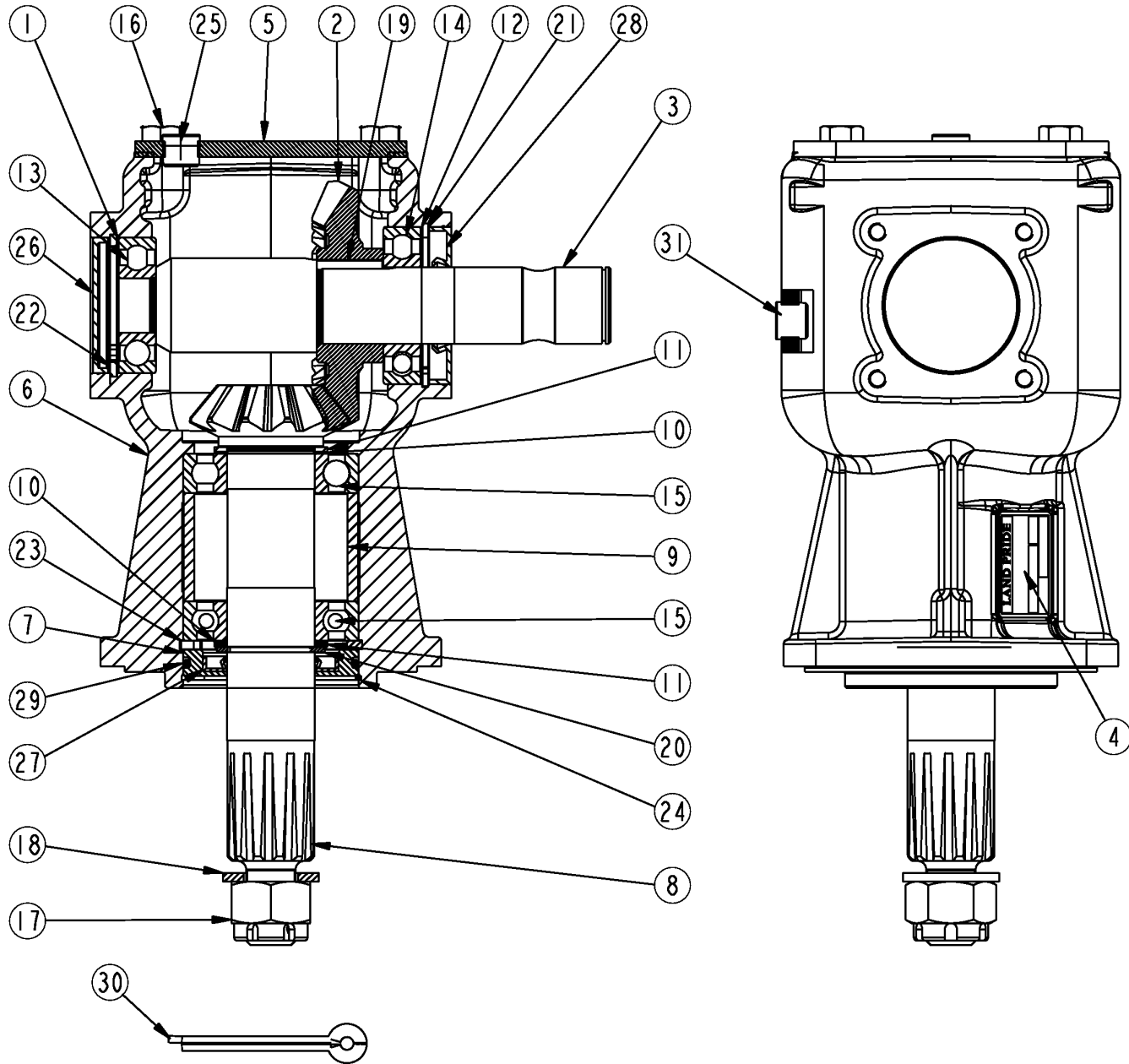
Ref	Part No.	Part Description	Comments	Revision
	dwg14152	Drawing Image Number		
	826-671C	GBOX 1:1.47 SPEEDUP		
1.	140017	OMNI PLUG PIPE SQ HEAD 1/8"		
2.	020161	OMNI CAP INPUT W/MTG. HOLES		
3.	070133	OMNI GASKET, INPUT CAP .10mm	Number of gaskets needed varies	
3.	070132	OMNI GASKET, INPUT CAP .15mm	Number of gaskets needed varies	
3.	070131	OMNI GASKET, INPUT CAP .40mm	Number of gaskets needed varies	
4.	200000	OMNI RETAINING RING		
5.	822-166C	BEARING BALL 6207		
6.	010001	OMNI HOUSING		
7.	140033	OMNI PLUG VENT 1/2-14 NPTF		
8.	030002	OMNI OUTPUT PIN 5&6' RC 15T		
9.	822-188C	BALL BEARING 6208		
10.	090000	OMNI SPACER		
11.	060061	OMNI OUTPUT SEAL TRIPLE LIP		
12.	070136	OMNI GASKET, OUTPUT CAP .10mm	Number of gaskets needed varies	
12.	070135	OMNI GASKET, OUTPUT CAP .15mm	Number of gaskets needed varies	
12.	070134	OMNI GASKET, OUTPUT CAP .40mm	Number of gaskets needed varies	
13.	020003	OMNI OUTPUT CAP		
14.	804-070C	FLAT WASHER 1" SPECIAL		
15.	803-095C	NUT HEX SLOTTED 1-14		
16.	805-017C	PIN COTTER 3/16 X 1 3/4 PLT		
17.	802-017C	HHCS 3/8-16X1 GR5		
18.	804-013C	WASHER LOCK SPRING 3/8 PLT		
19.	040040	OMNI INPUT SHAFT 4' RC		
20.	030003	OMNI INPUT GEAR 5&6' RC 22T		
21.	060060	OMNI INPUT SEAL TRIPLE LIP		
22.	200040	OMNI RETAINING RING		
23.	200001	OMNI RETAINING RING		

*

Notes: Oil Type 80-90W Capacity 1.1 Pints

Gearbox (826-867C) Comer

Applies to RCR1242, RCR1248, RCR1260



72615

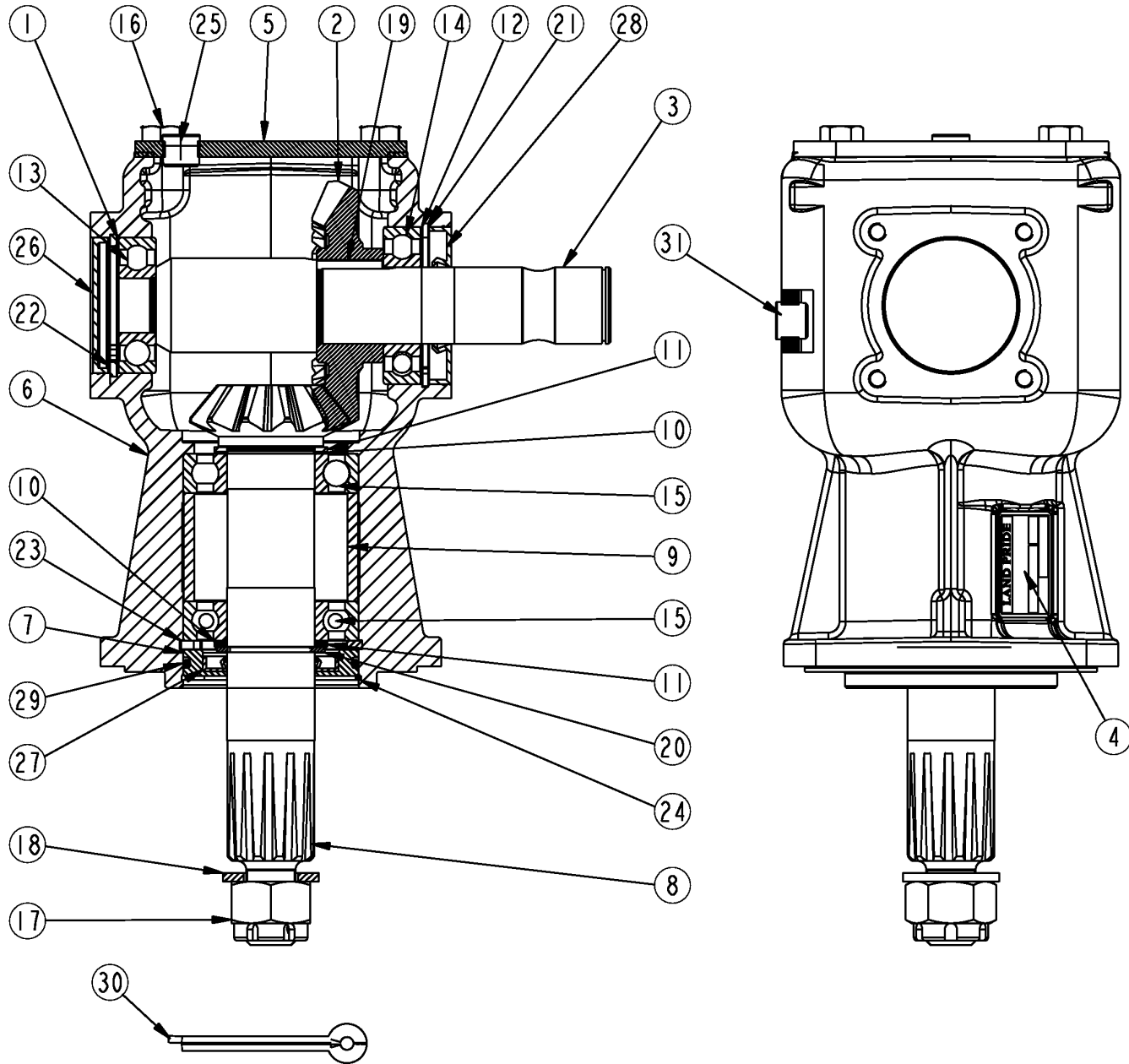
Gearbox (826-867C) Comer**Applies to RCR1242, RCR1248, RCR1260**

Ref	Part No.	Part Description	Comments	Revision
	Dwg 72615 826-867C	Image No. RCR12 GBOX 1:1.93 SPEED UP *		
1.	0.113.7500.00	COMER SHIM 55.3X61.7		
2.	0.135.5000.00	CO GEAR Z23 M5		
3.	0.211.2000.00	COMER SHAFT		
4.	0.141.7109.00	CO NAME PLATE		
5.	0.211.1302.00	COMER COVER		
6.	0.211.0302.00	COMER CASING		
7.	0.211.1301.00	COMER COVER		
8.	0.211.6003.00	CO PINION SHAFTY Z21 M5		
9.	0.211.7101.00	COMER SPACER		
10.	A244.501	CO SHIM KIT 40.3 51.5		
11.	0.244.7520.00	CO SHIM 40.3 X 2.0		
12.	A.248.500	COMER SHIM KIT 71.7		
13.	8.0.1.00001	COMER BEARING 6305		
14.	822-166C	BRG BALL 1.37IDX2.83OD 6207		
15.	822-188C	BRG BALL 6208		
16.	8.1.1.00054	CO BOLT M10X20 8.8		
17.	8.2.2.00515	CO NUT, CASTLE M24 X 2		
18.	8.3.2.00409	CO FLAT WASHER 25 X 44 X 4		
19.	8.4.1.00993	CO PARALLEL KEY B 10 X 8 X 30		
20.	8.5.1.00680	CO SNAP RING 40 UNI 7436		
21.	800-264C	SNAP RING INT 2.835 (72MM)		
22.	8.5.2.00648	CO SNAP RING 62 UNI7437		
23.	8.5.2.01370	CO SNAP RING INT 80MM RTA35		
24.	8.5.3.00878	CO SNAP RING SB 80		
25.	826-503C	COMER VENT 8.6.7.00161 3/8MNPT	Not included with Gearbox	
25.	8.6.6.00201	CO PLUG 3/8 GAS (SOLID PLUG)	Comes with Gearbox	
26.	8.7.0.01359	COMER CAP 62X7		
27.	8.7.1.02147	CO DOUBLE LIP SEAL 40X62X7		
28.	8.7.1.00152	OIL SEAL, 35 X 72 X 12/10		
29.	9030.337.600	COMER O-RING OR-176		
30.	826-487C	COMER 8.4.7.00516 COTTER		
31.	8.6.6.00201	CO PLUG 3/8 GAS (SOLID PLUG) *	Comes with Gearbox	

Notes: Oil Type 80-90W Capacity 1.9 Pints

Gearbox (826-868C) Comer

Applies to RCR1272



72615

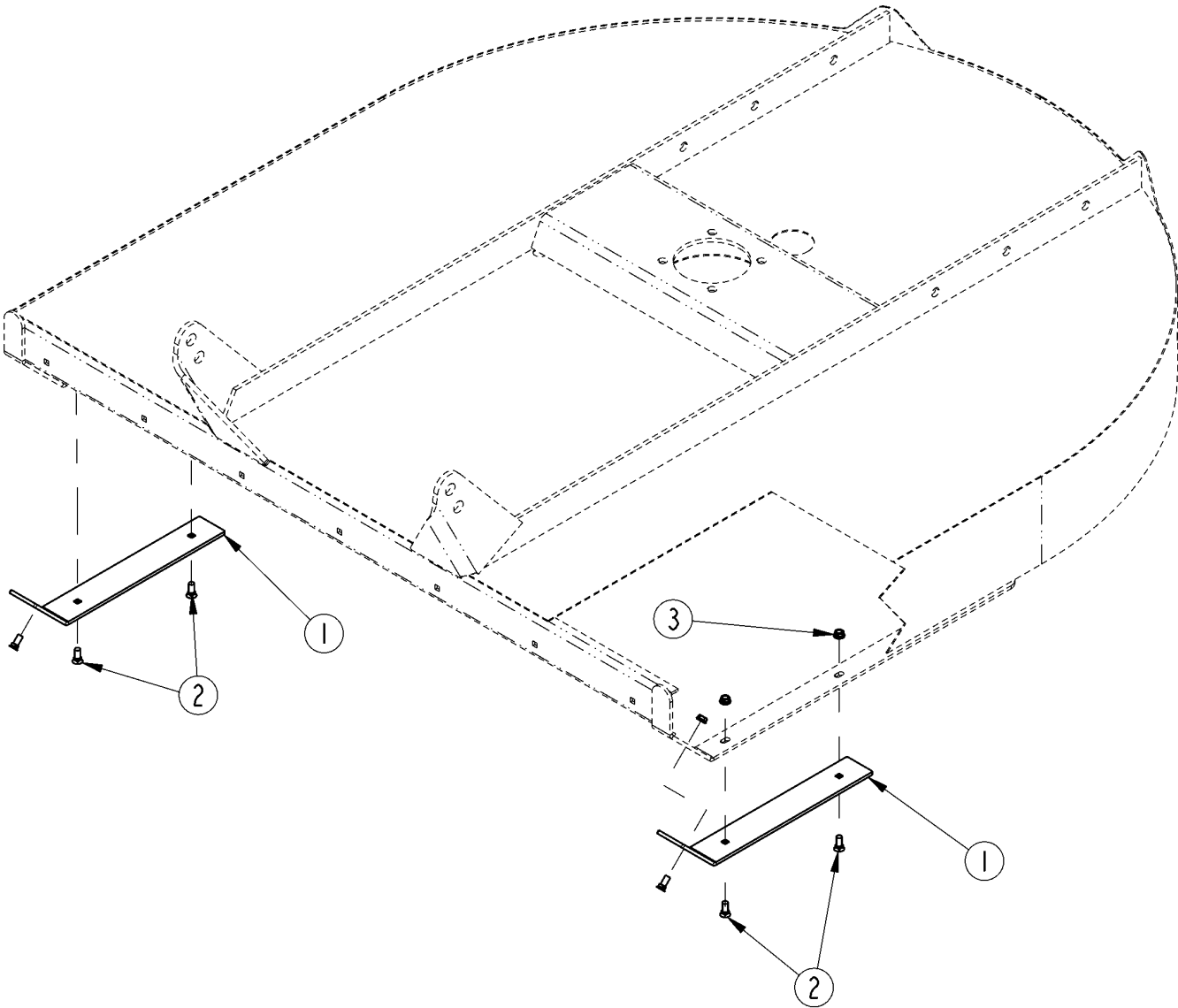
Gearbox (826-868C) Comer**Applies to RCR1272**

Ref	Part No.	Part Description	Comments	Revision
	Dwg 72615A 826-868C	Image No. RCR12 GBOX 1:1.47 SPEED UP *		
1.	0.113.7500.00	COMER SHIM 55.3X61.7		
2.	0.131.5000.00	CO CROWN GEAR Z22 M5		
3.	0.211.2000.00	COMER SHAFT		
4.	0.141.7109.00	CO NAME PLATE		
5.	0.211.1302.00	COMER COVER		
6.	0.211.0302.00	COMER CASING		
7.	0.211.1301.00	COMER COVER		
8.	0.211.6002.00	CO PINION SHAFT Z15 M8		
9.	0.211.7101.00	COMER SPACER		
10.	A244.501	CO SHIM KIT 40.3 51.5		
11.	0.244.7520.00	CO SHIM 40.3 X 2.0		
12.	A.248.500	COMER SHIM KIT 71.7		
13.	8.0.1.00001	COMER BEARING 6305		
14.	822-166C	BRG BALL 1.37IDX2.83OD 6207		
15.	822-188C	BRG BALL 6208		
16.	8.1.1.00054	CO BOLT M10X20 8.8		
17.	8.2.2.00515	CO NUT, CASTLE M24 X 2		
18.	8.3.2.00409	CO FLAT WASHER 25 X 44 X 4		
19.	8.4.1.00993	CO PARALLEL KEY B 10 X 8 X 30		
20.	8.5.1.00680	CO SNAP RING 40 UNI 7436		
21.	800-264C	SNAP RING INT 2.835 (72MM)		
22.	8.5.2.00648	CO SNAP RING 62 UNI7437		
23.	8.5.2.01370	CO SNAP RING INT 80MM RTA35		
24.	8.5.3.00878	CO SNAP RING SB 80		
25.	826-503C	COMER VENT 8.6.7.00161 3/8MNPT	Not included with Gearbox	
25.	8.6.6.00201	CO PLUG 3/8 GAS (SOLID PLUG)	Comes with Gearbox	
26.	8.7.0.01359	COMER CAP 62X7		
27.	8.7.1.02147	CO DOUBLE LIP SEAL 40X62X7		
28.	8.7.1.00152	OIL SEAL, 35 X 72 X 12/10		
29.	9030.337.600	COMER O-RING OR-176		
30.	826-487C	COMER 8.4.7.00516 COTTER		
31.	8.6.6.00201	CO PLUG 3/8 GAS (SOLID PLUG) *	Comes with Gearbox	

Notes: Oil Type 80-90W Capacity 1.9 Pints

Skid Shoe Components

Applies to RCR1242, RCR1260, RCR1272



30316

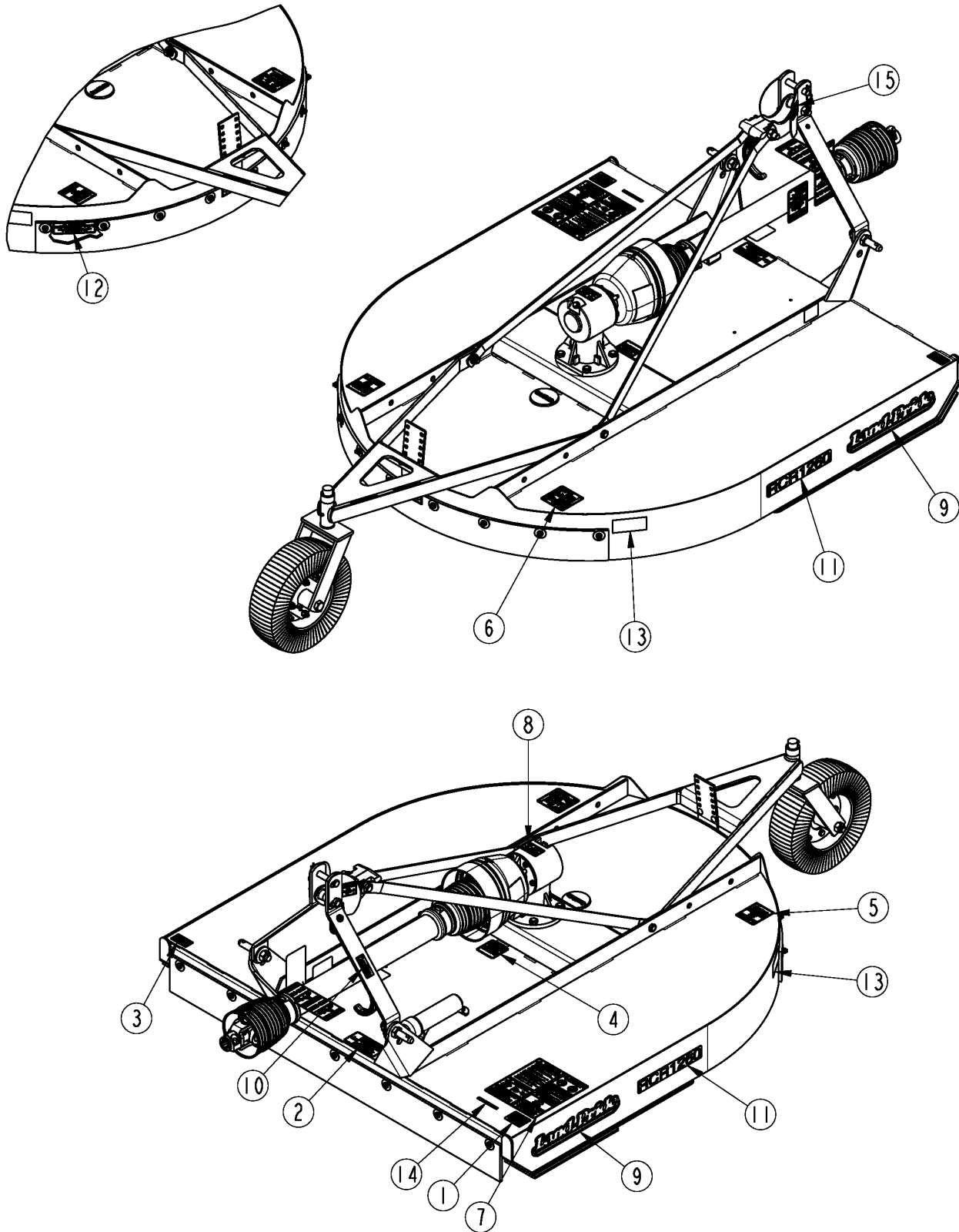
Skid Shoe Components

Applies to RCR1242, RCR1260, RCR1272

Ref	Part No.	Part Description	Comments	Revision
	Dwg 30316 326-120A	Drawing Image Number SKID SHOE KIT	Only for RCR1242, RCR1260 & RCR1272	
		*		
1.	326-221D	SKID SHOE		
2.	802-603C	PLOW 3/8-16X1 GR5		
3.	803-198C	NUT HEX WHIZ 3/8-16 PLT		

Decal Placement

Applies to RCR1242, RCR1248, RCR1260, RCR1272



30311

Decal Placement**Applies to RCR1242, RCR1248, RCR1260, RCR1272**

Ref	Part No.	Part Description	Comments	Revision
	Dwg 30311	Drawing Image Number		
1.	818-130C	DECAL WARNING 540 RPM		
2.	818-142C	DECAL DANGER PTO DRIVELINE EN		
3.	818-190C	DECAL FLAG		
4.	818-543C	DECAL DANGER PD GUARD MISS SML		
5.	818-556C	DECAL DANGER THROWN OBJ CUTTER		
6.	818-555C	DECAL DANGER ROTATE BLADE		
6.	818-564C	RPBY 818-555C	Obsolete	
7.	818-830C	DECAL SAFETY COMBO SUNWEST		
8.	838-862C	DECAL 3 YEAR GEARBOX WARRANTY		
9.	818-901C	RPBY 838-965C	Beige Unit	
9.	838-965C	DECAL LANDPRIDE 16" BROWN/GOLD	Green, Orange, Red & Blue Unit	
10.	838-517C	DECAL QUICK HITCH SYSTEM		
11.	858-771C	DECAL RCR1242		
11.	848-628C	DECAL RCR1248 GOLD		
11.	848-629C	RPBY 848-628C	Obsolete	
11.	848-078C	DECAL RCR1260 GOLD		
11.	848-080C	RPBY 848-078C	Obsolete	
11.	848-079C	DECAL RCR1272 GOLD		
11.	848-081C	RPBY 848-079C	Obsolete	
12.	848-088C	DECAL DANGER GUARD MISSING		
13.	858-095C	DECAL REFLECTOR RED 2X4.5	S/N 819231+	
14.	844-031C	DECAL, PROP65 VINYL		
15.	858-148C	DECAL PIC--PINCH POINT	S/N 1341733+	

Land Pride Touch-up Paints

Applies to RCR1242, RCR1248, RCR1260, RCR1272

No diagram associated with this Parts List

Land Pride Touch-up Paints**Applies to RCR1242, RCR1248, RCR1260, RCR1272**

Ref	Part No.	Part Description	Comments	Revision
1.	821-011C	LP BEIGE SPRAY CAN	Spray can	
1.	821-011CTU	LP BEIGE TOUCH-UP 5OZ	Touch-up bottle with brush	
1.	821-011CQT	LP BEIGE QUART	Quart can	
1.	821-011CGL	LP BEIGE GALLON	Gallon can	
2.	821-070C	GLOSS BLACK SPRAY CAN	Spray can	
2.	821-070CTU	GLOSS BLACK TOUCH-UP 5OZ	Touch-up bottle with brush	
2.	821-070CQT	GLOSS BLACK QUART	Quart can	
2.	821-070CGL	GLOSS BLACK GALLON	Gallon can	
3.	821-054C	MED. RED SPRAY TRCK/CTR	Spray can	
3.	821-054CTU	MED RED TOUCH-UP 5OZ	Touch-up bottle with brush	
3.	821-054CQT	MED RED QUART	Quart can	
3.	821-054CGL	MED RED GALLON	Gallon can	
4.	821-058C	GREEN SPRAY CUTTERS	Spray can	
4.	821-058CTU	GREEN TOUCH-UP 5OZ	Touch-up bottle with brush	
4.	821-058CQT	GREEN QUART	Quart can	
4.	821-058CGL	GREEN GALLON	Gallon can	
5.	821-066C	ORANGE SPRAY CAN	Spray can	
5.	821-066CTU	ORANGE TOUCH-UP 5OZ	Touch-up bottle with brush	
5.	821-066CQT	ORANGE QUART	Quart can	
5.	821-066CGL	ORANGE GALLON	Gallon can	
6.	821-067C	BLUE SPRAY CAN	Spray can	
6.	821-067CTU	BLUE TOUCH-UP 5OZ	Touch-up bottle with brush	
6.	821-067CQT	BLUE QUART	Quart can	
6.	821-067CGL	BLUE GALLON	Gallon can	
7.	821-080C	PAINT ALUMINUM/ZINC SPRAY CAN	Spray can	
7.	821-080CTU	PAINT ALUMINUM/ZINC TOUCH UP	Touch-up bottle with brush	
7.	821-080CQT	PAINT ALUMINUM/ZINC QUART	Quart can	
7.	821-080CGL	PAINT ALUMINUM/ZINC GALLON	Gallon can	



Part Number Index

The Part Number Index is a numeric index of all part numbers included in this manual. The index shows what page(s) the part is used on.

Part Number	Page	Part Number	Page	Part Number	Page	Part Number	Page
0.113.7500.00	47, 49	326-062D84	13	327-178A	27, 41	802-705C	27, 29
0.131.5000.00	49	326-062D85	13	327-182S	11, 17	802-920C	25
0.135.5000.00	47	326-065A	27, 37	327-183H	13, 17	802-964C	18
0.141.7109.00	47, 49	326-067A	29, 39	327-435D	17	802-977C	18
0.211.0302.00	47, 49	326-070H	7	327-435D81	17	803-020C	14
0.211.1301.00	47, 49	326-070H81	7	327-435D82	17	803-077C	18
0.211.1302.00	47, 49	326-070H82	7	327-435D83	17	803-095C	27, 29, 43, 45
0.211.2000.00	47, 49	326-070H83	7	327-435D84	17	803-126C	14
0.211.6002.00	49	326-070H84	7	327-435D85	17	803-147C	27, 29
0.211.6003.00	47	326-075D	13	327-437D	17	803-148C	27, 29
0.211.7101.00	47, 49	326-075D81	13	327-449D	17	803-170C	25
0.244.7520.00	47, 49	326-075D82	13	327-449D81	17	803-177C	9, 11
010001	43, 45	326-075D83	13	327-449D82	17	803-181C	18
020003	43, 45	326-075D84	13	327-449D83	17	803-198C	7, 14, 18, 23, 51
020161	43, 45	326-075D85	13	327-449D84	17	803-255C	21
030002	45	326-120A	51	327-449D85	17	803-263C	14, 27, 29
030003	45	326-185A	25	327-458D	17	803-271C	14
030036	43	326-212A	23	327-458D81	17	803-393C	18
030037	43	326-213A	7	327-458D82	17	803-446C	18
040040	43, 45	326-214H	13, 17	327-458D83	17	804-007C	21
060060	43, 45	326-221D	51	327-458D84	17	804-009C	27, 29
060061	43, 45	326-227S	13	327-458D85	17	804-010C	11, 27, 29
070131	43, 45	326-267H	7	327-461D	17	804-013C	43, 45
070132	43, 45	326-267H81	7	327-461D81	17	804-015C	14
070133	43, 45	326-267H82	7	327-461D82	17	804-036C	9, 11
070134	43, 45	326-267H83	7	327-461D83	17	804-062C	14, 18
070135	43, 45	326-267H84	7	327-461D84	17	804-070C	27, 29, 43, 45
070136	43, 45	326-268H	13, 17	327-461D85	17	804-134C	18
09-014	14	326-282S	17, 21	327-534D	17	804-147C	25
090000	43, 45	326-367H	25	327-534D81	17	804-159C	18
1004020	31, 33, 35, 37, 39, 41	326-368A	13, 17	327-534D82	17	804-212C	25
140017	43, 45	326-369A	27, 31	327-534D83	17	805-017C	27, 29, 43, 45
140033	43, 45	326-370A	29, 33	327-534D84	17	805-111C	14, 18
200000	43, 45	326-378A	27, 35	327-534D85	17	805-142C	14
200001	43, 45	326-383A	27, 41	327-763D	18	805-143C	14, 18
200040	43, 45	326-386H	25	327-764D	18	805-228C	18
310-251D	13, 17	326-400V	13	8.0.1.00001	47, 49	805-434C	14, 18
312-020D	13	326-406S	23	8.1.1.00054	47, 49	807-350C	9, 11
312-075D	25	326-407S	7	8.2.2.00515	47, 49	812-500C	18
312-082D	25	326-408S	23	8.3.2.00409	47, 49	814-058C	14, 18
312-089D	25	326-409S	7	8.4.1.00993	47, 49	814-631C	18
312-089D	25	326-413A	7	8.5.1.00680	47, 49	816-321C	7
312-559H	13	326-450A	37	8.5.2.00648	47, 49	816-322C	23
312-609D85	13	326-451A	37	8.5.2.01370	47, 49	816-504C	21
312-610D	13	326-452A	39	8.5.3.00878	47, 49	816-561C	23
312-808D	25	326-453A	39	8.6.6.00201	47, 49	816-563C	7
312-848D	13	326-454A	31	8.7.0.01359	47, 49	816-575C	23
312-848D81	13	326-455A	31	8.7.1.00152	47, 49	816-576C	7
312-848D82	13	326-456A	33	8.7.1.02147	47, 49	818-130C	53
312-848D83	13	326-457A	33	800-079C	27, 29	818-142C	53
312-848D84	13	326-479A	35	800-080C	13, 14, 18	818-190C	53
312-848D85	13	326-480A	35	800-264C	47, 49	818-543C	53
312-849D	13	326-481A	41	802-005C	21	818-555C	53
312-850D	13, 17	326-482A	41	802-010C	9	818-556C	53
312-851D	13, 17	326-688D	13	802-012C	11	818-564C	53
312-946D	17	326-847D	25	802-015C	7, 14, 23	818-830C	53
312-946D81	17	326-893D	13	802-017C	43, 45	818-901C	53
312-946D82	17	326-893D81	13	802-034C	14	820-065C	25
312-946D83	18	326-893D82	13	802-053C	18, 27, 29	820-198C	25
312-946D84	18	326-893D83	13	802-055C	14, 27, 29	820-199C	25
312-946D85	18	326-893D84	13	802-062C	14	820-229C	25
326-041H	7	326-893D85	13	802-095C	14	821-011C	55
326-041H81	7	327-142H	17	802-138C	9, 11	821-011CGL	55
326-041H82	7	327-143S	9, 17	802-149C	7	821-011CQT	55
326-041H83	7	327-165H	7	802-155C	14, 18	821-011CTU	55
326-041H84	7	327-165H81	7	802-192C	18	821-054C	55
326-062D	13	327-165H82	7	802-264C	27, 29	821-054CGL	55
326-062D81	13	327-165H83	7	802-265C	27, 29	821-054CQT	55
326-062D82	13	327-165H84	7	802-459C	27, 29	821-054CTU	55
326-062D83	13	327-177A	27, 35	802-603C	51	821-058C	55



Part Number Index (continued)

Part Number	Page	Part Number	Page
821-058CGL	55	N/A	7, 13, 25, 27, 29,
821-058CQT	55		31, 33, 35, 37,
821-058CTU	55		39, 41
821-066C	55		
821-066CGL	55		
821-066CQT	55		
821-066CTU	55		
821-067C	55		
821-067CGL	55		
821-067CQT	55		
821-067CTU	55		
821-070C	55		
821-070CGL	55		
821-070CQT	55		
821-070CTU	55		
821-080C	55		
821-080CGL	55		
821-080CQT	55		
821-080CTU	55		
822-166C	43, 45, 47, 49		
822-188C	43, 45, 47, 49		
826-240C	27, 29		
826-487C	47, 49		
826-503C	47, 49		
826-670C	27, 43		
826-671C	29, 45		
826-867C	27, 47		
826-868C	29, 49		
837-062C	9, 11		
837-063C	9, 11		
838-517C	53		
838-862C	53		
838-965C	53		
840-108C	7, 23		
840-273C	27, 29		
844-031C	53		
848-078C	53		
848-079C	53		
848-080C	53		
848-081C	53		
848-088C	53		
848-628C	53		
848-629C	53		
858-095C	53		
858-148C	53		
858-771C	53		
9030.337.600	47, 49		
A.248.500	47, 49		
A244.501	47, 49		
Dwg 14152	43		
Dwg 30306	7		
Dwg 30307	13		
Dwg 30308	27, 29		
Dwg 30309	25		
Dwg 30311	53		
Dwg 30316	51		
Dwg 30317	31		
Dwg 30318	39		
Dwg 30319	33, 35		
Dwg 30549	37		
Dwg 30942	41		
Dwg 37559	17		
Dwg 39163	21		
Dwg 72257	9, 11		
Dwg 72615	47		
Dwg 72615A	49		
dwg14152	45		
dwg30310	23		
GRI-4SC003	37, 39, 41		



Great Plains Manufacturing, Inc.

Corporate Office: P.O. Box 5060
Salina, Kansas 67402-5060 USA

www.landpride.com
