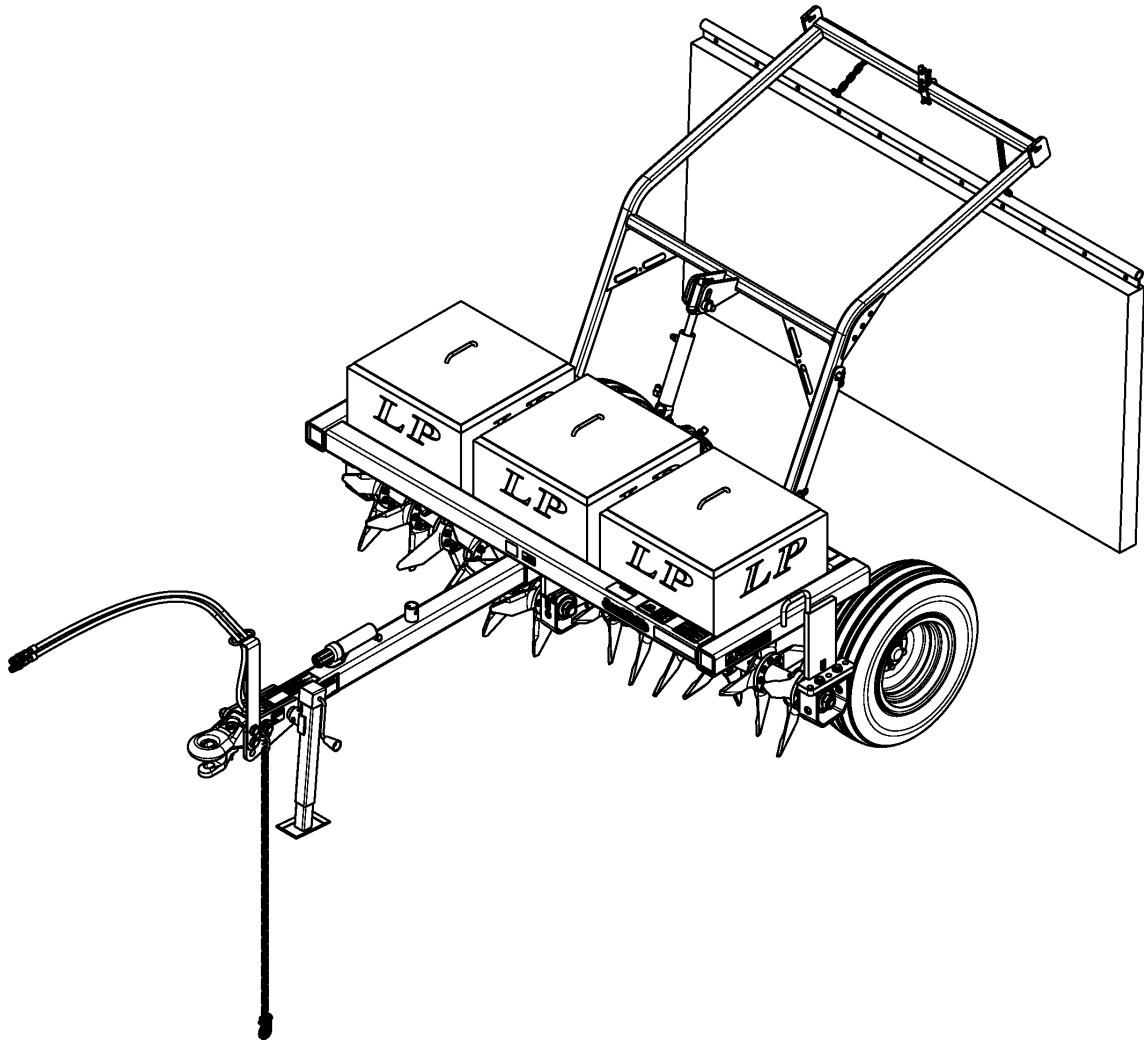


# Aerator

---

## AR2596 & AR2510



27964

### 325-127P Parts Manual



Read the Operator's Manual entirely. When you see this symbol, the subsequent instructions and warnings are serious - follow without exception. Your life and the lives of others depend on it!

© Copyright 2018 Printed 07/10/18

Cover photo may show optional equipment not supplied with standard unit.





# Table of Contents

---

<b>Section 1: Introduction.....</b>	<b>4</b>
Using This Manual.....	4
Manual Replacement Information.....	4
Manual Revisions.....	4
Touch-up Paint.....	4
Hardware Legend.....	5
Replacement Hardware.....	5
Serial Numbers.....	5
Part Number Service Coding.....	5
<b>Section 2: Frame &amp; Hitch.....</b>	<b>6</b>
Axle Pull Package.....	6
Frame & Hitch Components.....	8
Hydraulic Axle Pull Package.....	10
Hydraulic Cylinder (325-244D).....	12
<b>Section 3: Rotor Tine.....</b>	<b>14</b>
Rotor Components L.H.....	14
Rotor Components R.H.....	16
<b>Section 4: Decals.....</b>	<b>18</b>
Decal Placement.....	18
Land Pride Touch-up Paints.....	20
<b>Section 5: Options &amp; Accessories.....</b>	<b>22</b>
Concrete Block Bundles.....	22
Drag Harrow Pull Type.....	24
Hydraulic Cylinder (810-005C).....	26
Rear Hitch Kit.....	28
SMV Sign.....	30
<b>Part Number Index.....</b>	<b>32</b>

© Copyright 2018. All rights reserved.

Land Pride provides this publication “as is” without warranty of any kind, either expressed or implied. While every precaution has been taken in the preparation of this manual, Land Pride assumes no responsibility for errors or omissions. Neither is any liability assumed for damages resulting from the use of the information contained herein. Land Pride reserves the right to revise and improve its products as it sees fit. This publication describes the state of this product at the time of its publication, and may not reflect the product in the future. The illustrations in this manual are not intended for safe and proper assembly or disassembly of equipment. The illustrations are intended for ordering parts only.

Land Pride is registered trademark.

All other brands and product names are trademarks or registered trademarks of their respective holders.

*Printed in the United States of America.*



# Alphabetized Table of Contents

---

<b>A</b>	
	Axle Pull Package.....6
<b>C</b>	
	Concrete Block Bundles.....22
<b>D</b>	
	Decal Placement.....18
	Drag Harrow Pull Type.....24
<b>F</b>	
	Frame & Hitch Components.....8
<b>H</b>	
	Hydraulic Axle Pull Package.....10
	Hydraulic Cylinder (325-244D).....12
	Hydraulic Cylinder (810-005C).....26
<b>L</b>	
	Land Pride Touch-up Paints.....20
<b>R</b>	
	Rear Hitch Kit.....28
	Rotor Components L.H.....14
	Rotor Components R.H.....16
<b>S</b>	
	SMV Sign.....30

# General Information

## Using This Manual

This manual is divided into sections. The first section contains General Information. The remaining sections divide the machine into segments (i.e. Frames, Drives, Hydraulics, etc.) which illustrate and list all parts. A Parts Number Index is located at the back of the book.

The Land Pride parts in this manual are specially designed for this machine and should be replaced with Land Pride parts only.

The information in this manual is current at time of printing. Some parts may change to assure top performance.

Right-hand and left-hand as used in this manual are determined by facing the direction the machine will travel while in use.

Below is an example of two facing pages from a parts manual. Familiarize yourself with the type of information contained on these pages.

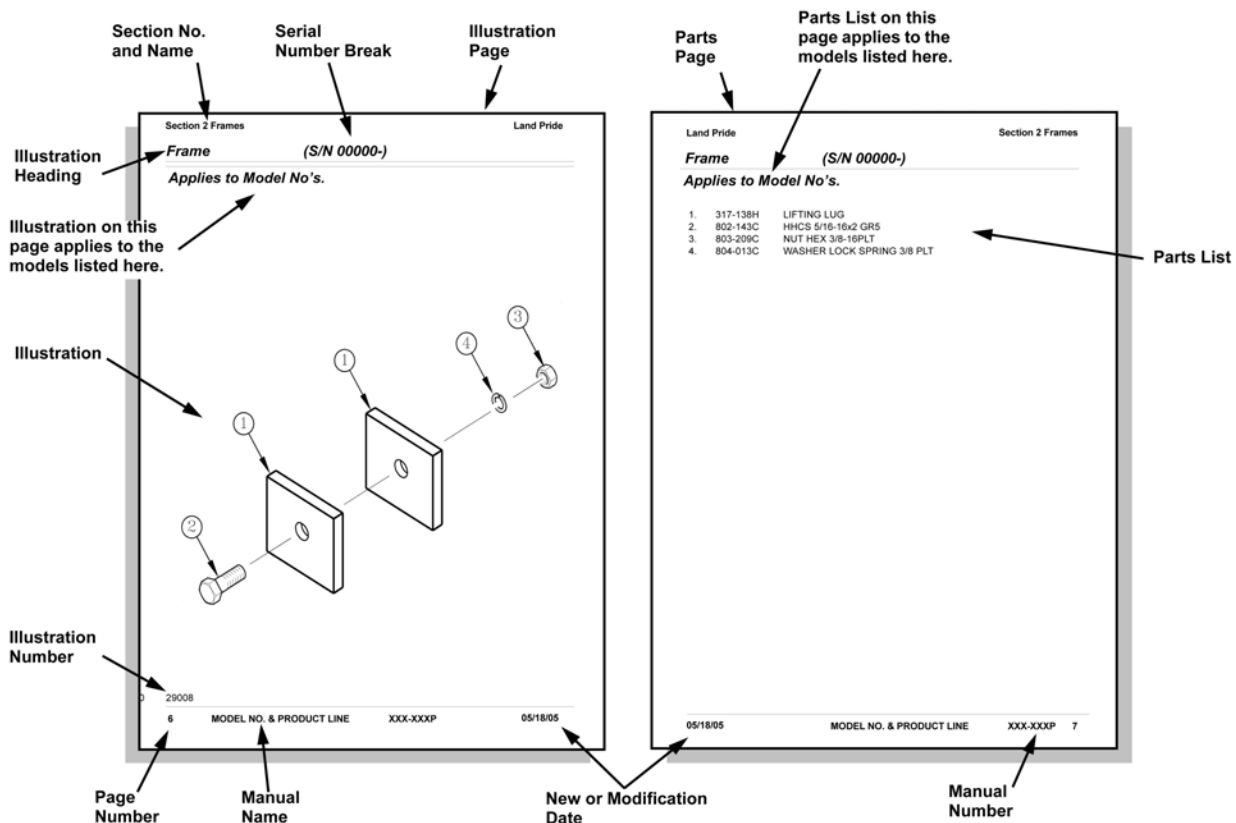
## Manual Replacement Information

Replacement manuals are available. Refer to our website at [www.landpride.com](http://www.landpride.com) or e-mail us at [lit@landpride.com](mailto:lit@landpride.com) for additional information. Our website continues to provide the most up-to-date manuals available.

## Touch-up Paint

Repaint parts where paint is worn or scratched to prevent rust. Aerosol cans and touch-up bottles with brush applicator are available through your local dealer. Also available are quart and gallon size paints. Add QT or GL to end of the Aerosol P/N.

Land Pride color descriptions and part numbers are listed on the "Land Pride Touch-up Paints" page in the "Decals" section of this book. Color options vary by product.



## General Information

### Hardware Legend

<b>AR</b>	As Required
<b>BLADE</b>	Blade Bolt
<b>C</b>	Cap Screw
<b>CP</b>	Cotter Pin
<b>CPHSSS</b>	Cup Point Hex Socket Set Screw
<b>CPSHSS</b>	Cup Point Square Head Set Screw
<b>CPSQHSS</b>	Cup Point Square Head Set Screw
<b>CRFCHMS3</b>	Cross Recess Flat Countersunk Head Machine Screw
<b>CRPHMS</b>	Cross Recess Pan Head Machine Screw
<b>CRPHTF</b>	Cross Recess Pan Head Thread Forming
<b>CRRHMS</b>	Cross Recess Round Head Machine Screw
<b>CRTHMS</b>	Cross Recess Truss Head Machine Screw
<b>CSNB</b>	Countersunk Square Neck Bolt
<b>FHMS</b>	Flat Head Machine Screw
<b>FTC</b>	Full Thread Cap Screw
<b>H</b>	Hex Nut
<b>HCLN</b>	Hex Center Lock Nut
<b>HFLCS</b>	Hex Flange Lock Cap Screw
<b>HFS</b>	Hex Flange Screw
<b>HFSLN</b>	Hex Flange Serrated Lock Nut
<b>HFSS</b>	Hex Flange Serrated Screw
<b>HHCS</b>	Hex Head Cap Screw or Metric Bolt
<b>HSBHCS</b>	Hex Socket Button Head Cap Screw
<b>HSFCHCS</b>	Hex Socket Flat Countersunk Head Cap Screw
<b>HSHCS</b>	Hex Socket Head Cap Screw
<b>HSSS</b>	Hex Socket Head Screw
<b>HTLN</b>	Hex Top Lock Nut
<b>HWHCS</b>	Hex Washer Head Cap Screw

<b>HWHMS</b>	Hex Washer Head Machine Screw
<b>HXBHCS</b>	Hex Socket Button Head Cap Screw
<b>J</b>	Hex Jam Nut
<b>JIC</b>	37 Degree Tapered Thread
<b>L</b>	Helical Spring Lock Washer
<b>LUG</b>	Lug Bolt
<b>NFC</b>	National Fine Cap Screw
<b>NPSM</b>	National Pipe Straight Mechanical
<b>NPTF</b>	National Pipe Taper Fuel
<b>P</b>	Wide Plain Washer
<b>PHMS</b>	Pan Head Machine Screw
<b>PLOW</b>	Plow Bolt
<b>RHMS</b>	Round Head Machine Screw
<b>RHSNB</b>	Round Head Square Neck Bolt
<b>SCREW LEVELING</b>	Leveling Screw
<b>SCREW THUMB</b>	Thumb Screw
<b>SCREW WELD</b>	Weld Screw
<b>SFCHMS</b>	Slotted Flat Countersunk Head Machine Screw
<b>SFHMS</b>	Slotted Fillister Head Machine Screw
<b>SP</b>	Special
<b>SP SCREW</b>	Special Screw
<b>SOHSS</b>	Square Head Set Screw
<b>SRHMS</b>	Slotted Round Head Machine Screw
<b>SSS</b>	Socket Set Screw
<b>STCS</b>	Self Tapping Cap Screw
<b>STHMS</b>	Slotted Truss Head Machine Screw
<b>WHEEL</b>	Wheel Studs and Hub Long Bolts
<b>WING</b>	Wing Bolt

### Replacement Hardware

The **Hardware Legend** above lists hardware abbreviations used in the parts list. All bolts and nuts are Grade 5 unless otherwise noted. The use of improper grades of hardware can result in personal injury, damage to equipment, or loss of property.

### Colored Replacement Parts

Land Pride offers replacement parts in factory standard colors and also on select models in Green, Orange, Red and Blue. Because of the variety of colors available, special attention must be given to the part number to prevent ordering the wrong replacement part.

A suffix number corresponding to one of the colors below must be added at the end of Land Pride's part number when ordering a replacement part with that color.

**81 . . . . . Green      83 . . . . . Red**  
**82 . . . . . Orange    84 . . . . . Blue**

For example, if you are ordering a replacement part with part number 555-555C and the part you need is red, then add the suffix 83 to the end of the number to make the part number read 555-555C83. Parts ordered without a suffix number will be supplied in factory standard colors.

### Black Replacement Parts

Some parts are factory standard black and some must be special ordered black. If your part is special ordered black, a second part number with the additional suffix number 85 on the end will be available. In this situation you must order that part with the suffix number for it to be black. Parts that are factory standard black will not have the suffix number.

### Part Number Service Coding

Within the parts list some part numbers are coded for revisions and interchangeability. See notations in revision column.

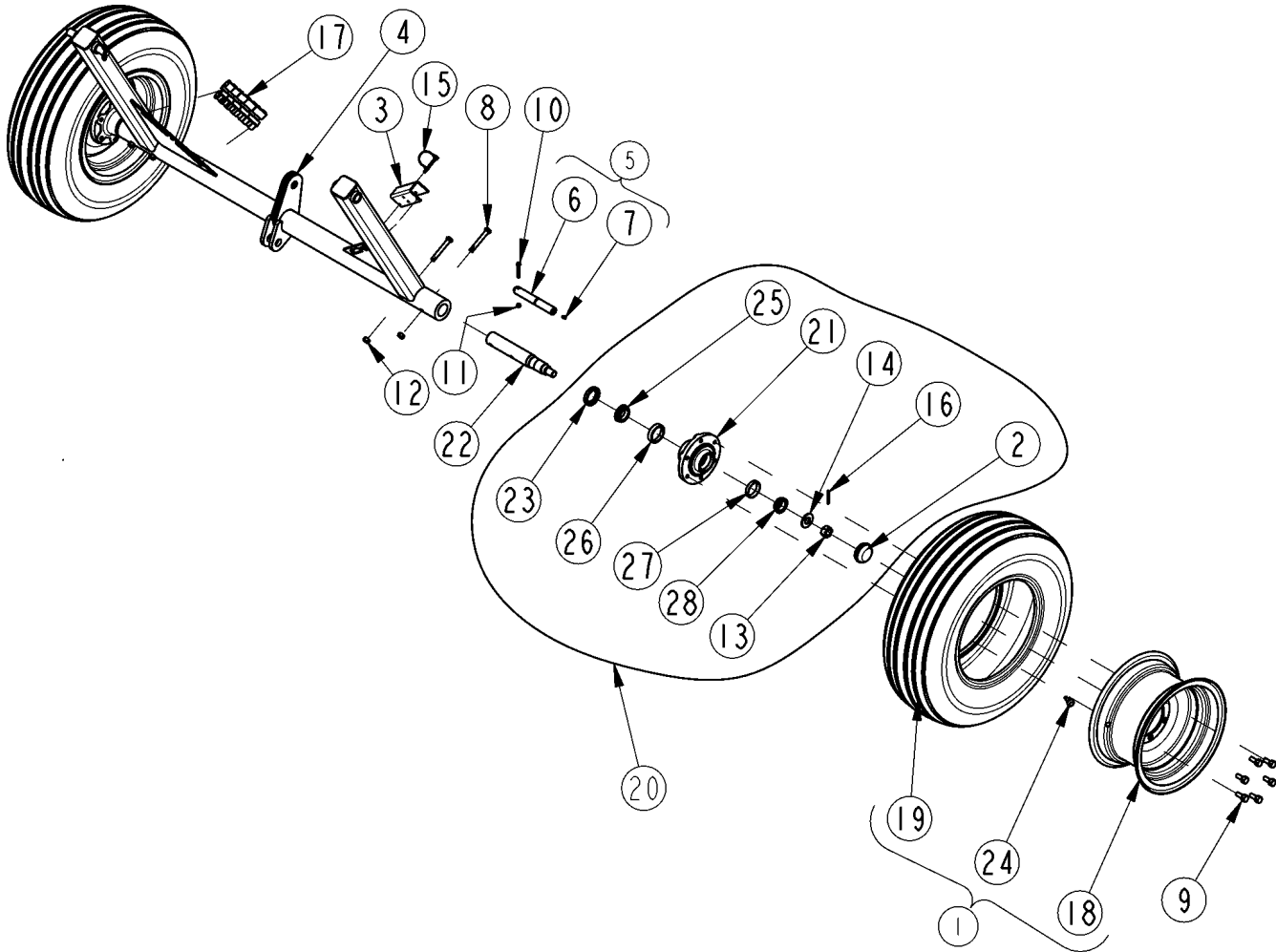
### Serial Numbers

Always use the serial and model number when ordering parts. Refer to the Operator's Manual for serial number plate location.

- (S/N 20001+)                      Includes serial numbers 20001 and above (to the latest number)
- (S/N 10001 to 20000)           Includes serial numbers between and including 10001 and 20000
- (S/N 10000-)                      Includes serial numbers 10000 and below (to the earliest number)

# Axle Pull Package

Applies to AR2510, AR2596



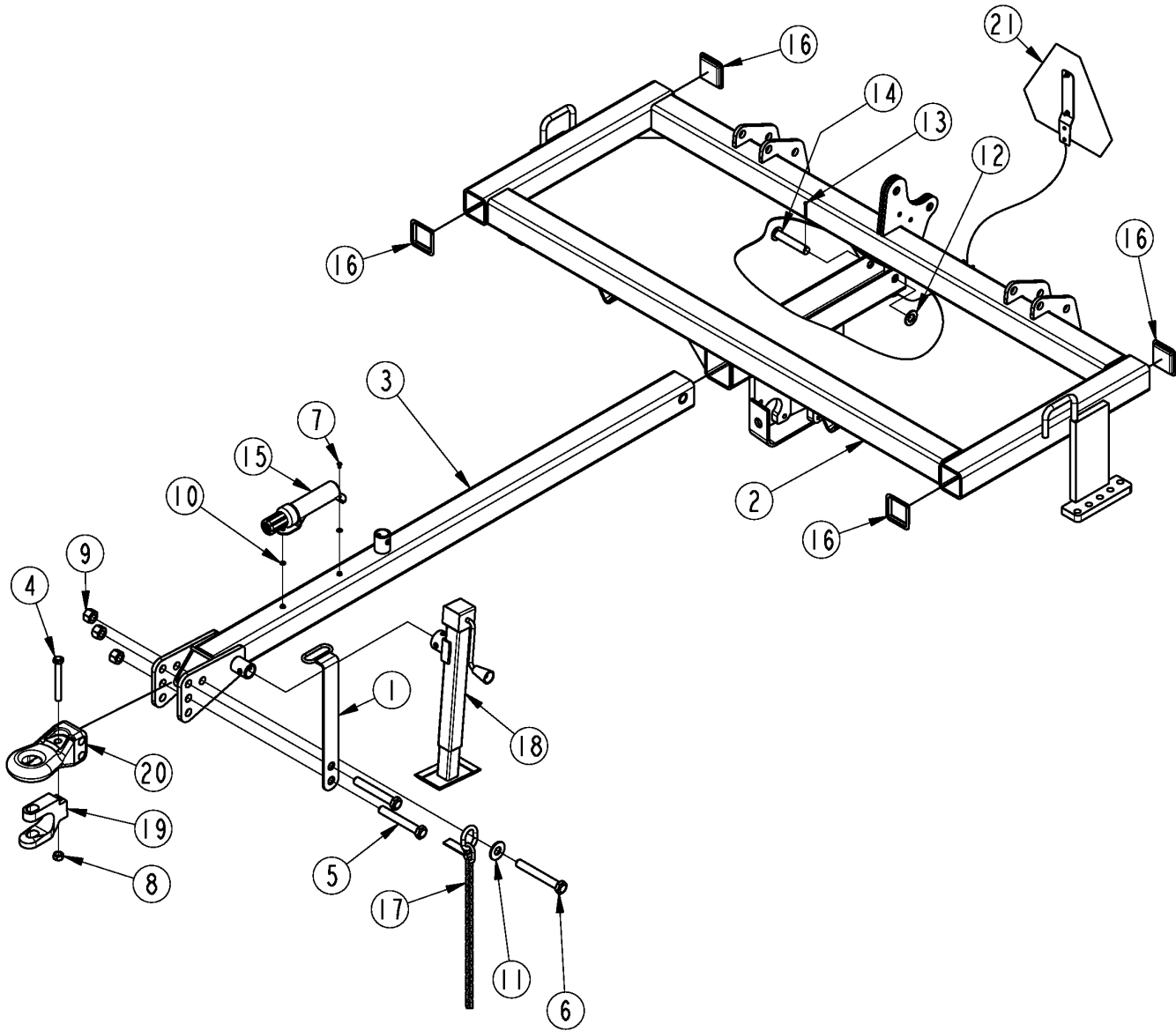
27956

**Axle Pull Package****Applies to AR2510, AR2596**

<b>Ref</b>	<b>Part No.</b>	<b>Part Description</b>	<b>Comments</b>	<b>Revision</b>
	dwg27956	Drawing Image Number		
1.	161-046K	6 BOLT WHL&TIRE 8 PLY TUBELESS		
2.	200-001D	HUB GREASE CAP		
3.	318-775D	SHIPPING BRACKET, CYL ASSIST		
4.	325-047H	AXLE WLD AERATOR		
5.	325-062V	GREASE PIN 7 1/4" W/ZERK		
6.	325-094D	GREASE PIN 7 1/4", 1 DIA.		
7.	800-080C	GREASE ZERK 1/4-28 THD FORMING		
8.	802-041C	HHCS 1/2-13X3 1/2 GR5		
9.	802-104C	BOLT WHEEL 1/2-20X1 90-DEG		
10.	802-115C	HHCS 5/16-18X2 GR5		
11.	803-011C	NUT LOCK 5/16-18 PLT		
12.	803-019C	NUT LOCK 1/2-13 PLT		
13.	803-029C	NUT HEX SLOTTED 7/8-14 PLT		
14.	804-055C	WASHER SPINDLE - 7/8		
15.	805-065C	PIN WIRE RETAINING 1/4 X 1 3/4		
16.	805-246C	PIN COTTER 5/32 X 1 3/4 LG		
17.	810-818C	STRK CNTRL SPCRS 1.125 TO 1.50		
18.	814-008C	WHEEL 8 X 15 X 6 BOLT		
19.	814-011C	TIRE 9.5 L X 15 8 PLY		
20.	815-077C	HUB 6 BOLT 4 5/8 PILOT 3600 LB		
21.	815-082C	HUB 6 BOLT 4 5/8 PILOT W/ CUPS		
22.	815-356C	SPINDLE SGNL BLT-ON 2HLS		
23.	816-011C	SEAL 2.56X1.625X.438 CR16289		
24.	816-035C	VALVE STEM TR415X.625X1 1/4 LG		
25.	822-018C	BRG CONE 1.50ID LM-29749		
26.	822-019C	BRG CUP LM-29710		
27.	822-020C	BRG CUP LM-67010		
28.	822-021C	BRG CONE 1.25ID LM-67048		

# Frame & Hitch Components

Applies to AR2510, AR2596



27955

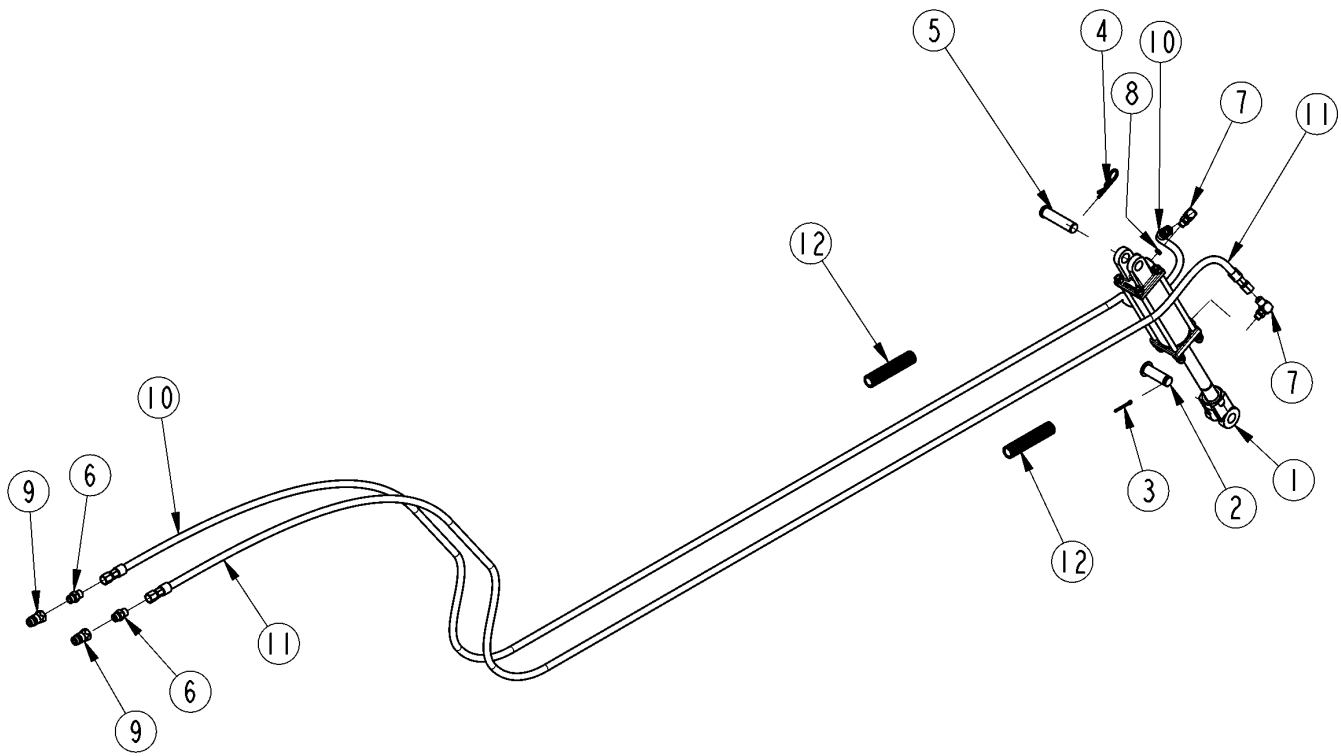


**Frame & Hitch Components****Applies to AR2510, AR2596**

<b>Ref</b>	<b>Part No.</b>	<b>Part Description</b>	<b>Comments</b>	<b>Revision</b>
	Dwg 27955	Drawing Image Number		
1.	325-073H	HOLDER HOSE WLDMT		
2.	325-116H	FRAME AR2596 PULL-TYPE		
2.	325-116H82	FRAME AR2596 PULL-TYPE ORANGE		
2.	325-128H	FRAME AR2510 PULL-TYPE		
2.	325-128H82	FRAME AR2510 PULL-TYPE ORANGE		
3.	325-119H	TONGUE WELDMENT		
3.	325-119H82	TONGUE WELDMENT ORANGE		
4.	802-911C	HHCS 3/4-16X6 GR8 PLT		
5.	802-075C	HHCS 1-8X7 GR5		
6.	802-144C	HHCS 1-8X7 1/2 GR5		
7.	802-283C	HHCS 1/4-20X1/2 GR2		
8.	803-026C	NUT LOCK 3/4-10 PLT		
9.	803-038C	NUT HEX 1-8 NYLON INSERT PLT		
10.	804-007C	WASHER FLAT 1/4 SAE PLT		
11.	804-028C	WASHER FLAT 1 USS PLT		
12.	804-029C	WASHER FLAT 1 SAE	S/N 645554+	
13.	805-058C	PIN COTTER 3/16 X 2		
14.	805-219C	PIN CLEVIS 1 X 5 GR5 PLT		
15.	816-504C	MANUAL STORAGE CONTAINER		
16.	817-821C	4 X 4 X 5/16 END CAP		
17.	890-182C	SAFETY CHAIN 10000 LB		
18.	890-246C	SCREW JACK 5000# 15-30 SD-WND		
19.	890-798C85	HITCH CLEVIS BLACK		
20.	890-872C85	CAT IV HITCH TONGUE BLACK		
21.	316-362S	SMV SIGN		

# Hydraulic Axle Pull Package

Applies to AR2510, AR2596



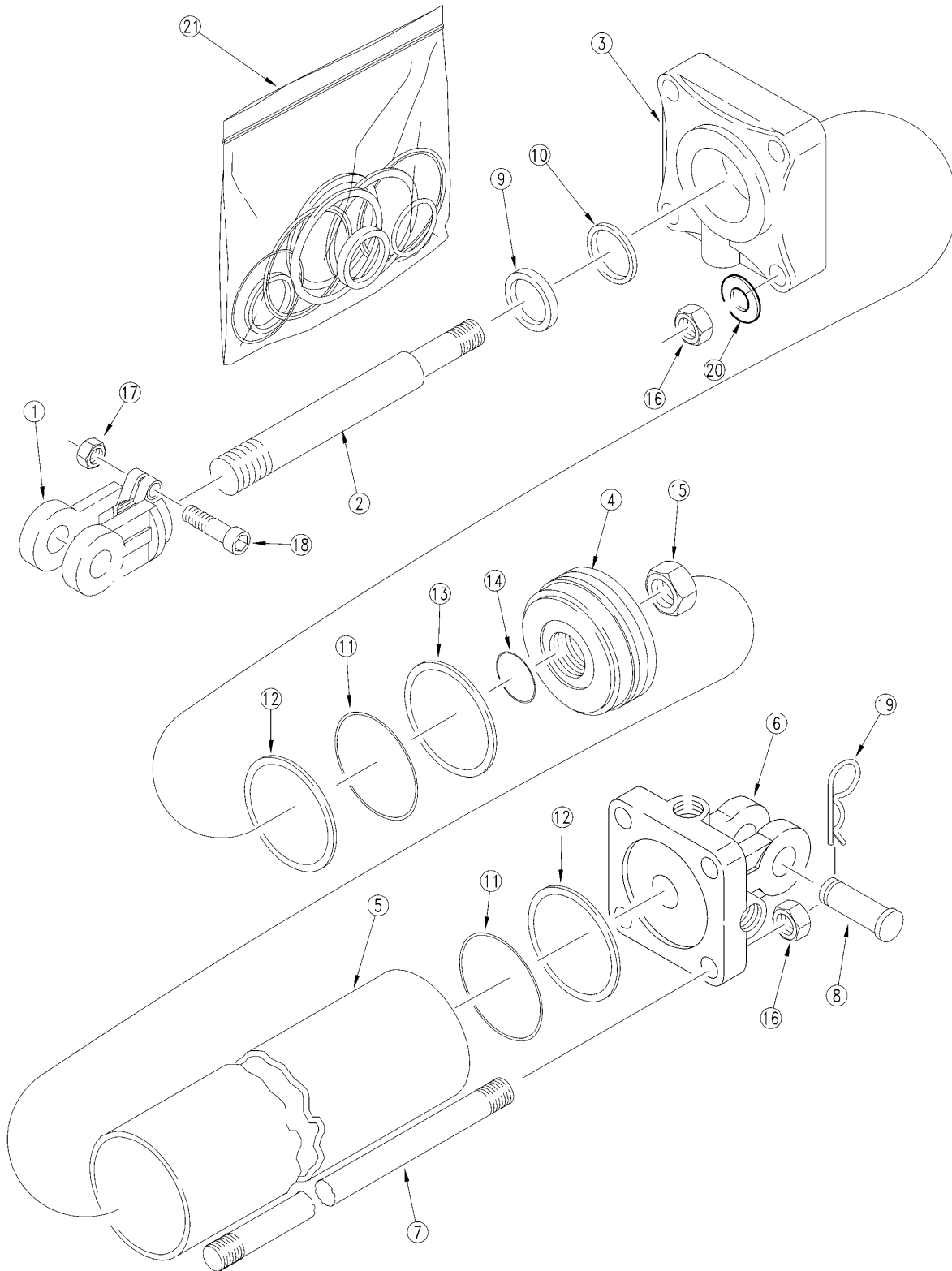
27959

***Hydraulic Axle Pull Package*****Applies to AR2510, AR2596**

<b>Ref</b>	<b>Part No.</b>	<b>Part Description</b>	<b>Comments</b>	<b>Revision</b>
	dwg27959	Drawing Image Number		
1.	325-244D	CYL 3X8X1 1/4 ROD (TIE) W/PIN		
2.	805-004C	PIN CLEVIS 1 X 2 3/4 USABLE LG		
3.	805-017C	PIN COTTER 3/16 X 1 3/4 PLT		
4.	805-088C	PIN, HAIR COTTER 3/16 WIRE DIA		
5.	805-124C	PIN CLEVIS 1 X 3 11/16 GR5 PLT		
6.	811-088C	AD 3/4MORB 3/4MJIC		
7.	811-216C	EL 3/4MJIC 9/16MORB		
8.	811-347C	ORPL 1/16 9/16MORB		
9.	811-394C	CP 3/4FORB MALE QD POPPET TYPE		
10.	811-937C	HH3/8R2 201 3/4FJIC		
11.	811-967C	HH3/8R2 185 3/4FJIC		
12.	817-759C	FLEX GUARD HOSE .875 ID	6" Long	

# Hydraulic Cylinder (325-244D)

Applies to AR2510, AR2596



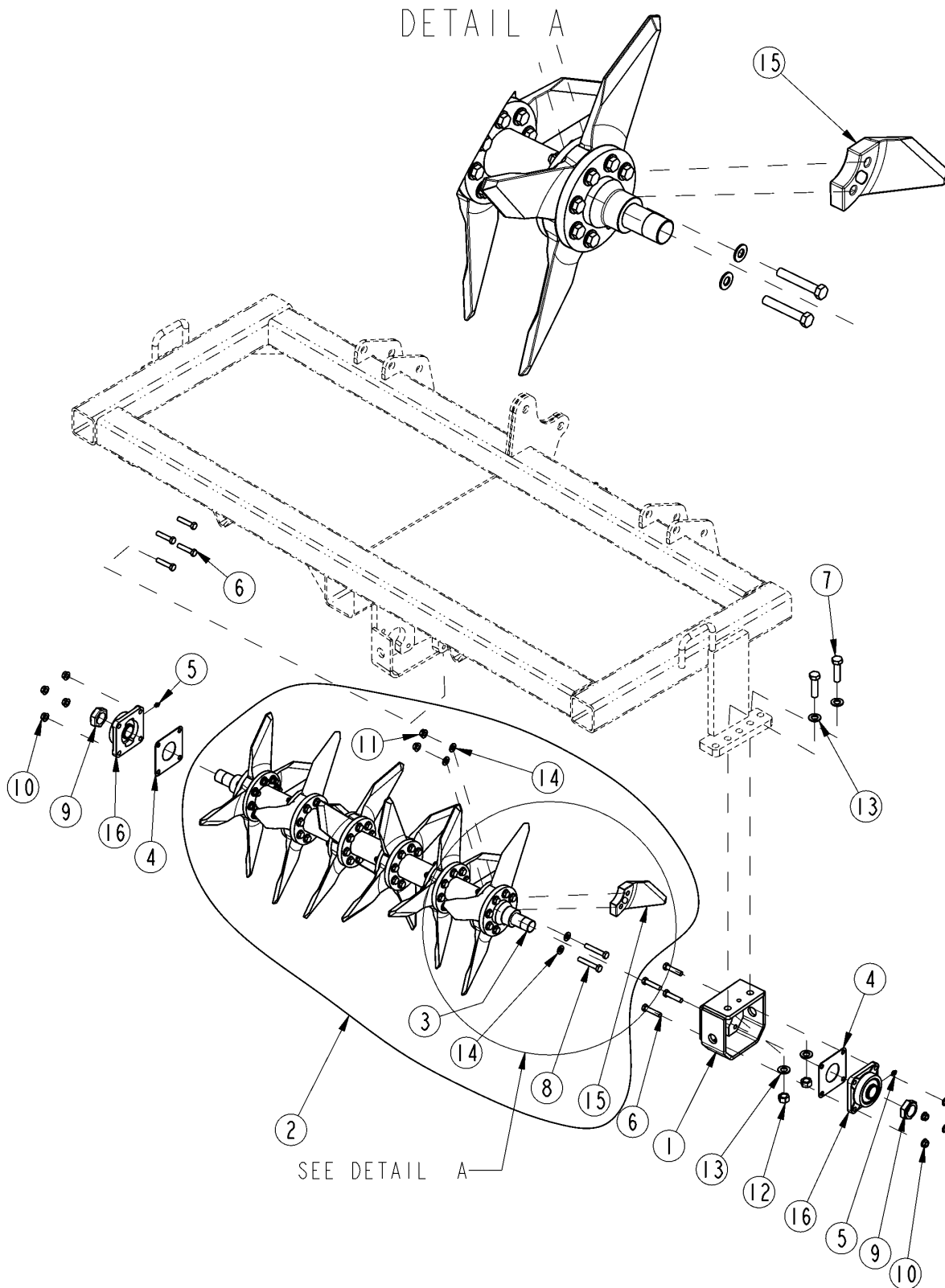
30271

***Hydraulic Cylinder (325-244D)*****Applies to AR2510, AR2596**

<b>Ref</b>	<b>Part No.</b>	<b>Part Description</b>	<b>Comments</b>	<b>Revision</b>
	dwg30271	Drawing Image Number		
	325-244D	CYL 3X8X1 1/4 ROD (TIE) W/PIN *		
1.	1M6010-ADI	MIDWAY HARDENED CLEVIS ADI		
2.	2M4416	MW ROD 1-1/4 DIA X 8 STROKE		
3.	3R1410	MW HEAD		
4.	4M4108	MW PISTON		
5.	5M4116	MW TUBE 3 X 8 CYLINDER		
6.	6R1146-ADI	MIDWAY ADI BASE		
7.	7M4414	TIE ROD		
8.	805-124C	PIN CLEVIS 1 X 3 11/16 GR5 PLT		
9.	N/A	MW WIPER	Only available in item #21	
10.	N/A	U-CUP	Only available in item #21	
11.	N/A	O-RING MIDWAY	Only available in item #21	
12.	N/A	BACK-UP MIDWAY	Only available in item #21	
13.	N/A	CROWN SEAL MIDWAY	Only available in item #21	
14.	N/A	MW PISTON NUT SEAL	Only available in item #21	
15.	2A0024	MW PISTON NUT 1-14		
16.	2A0014	MW TIE ROD NUT		
17.	803-234C	NUT HEX 3/8-16 PLAIN		
18.	802-023C	HHCS 3/8-16X1 3/4 GR5		
19.	805-088C	PIN, HAIR COTTER 3/16 WIRE DIA		
20.	804-016C	WASHER FLAT 1/2 SAE PLT		
21.	810-015C	CYL SEAL KIT MW (5A4104) 3 X 7		

# Rotor Components L.H.

Applies to AR2510, AR2596



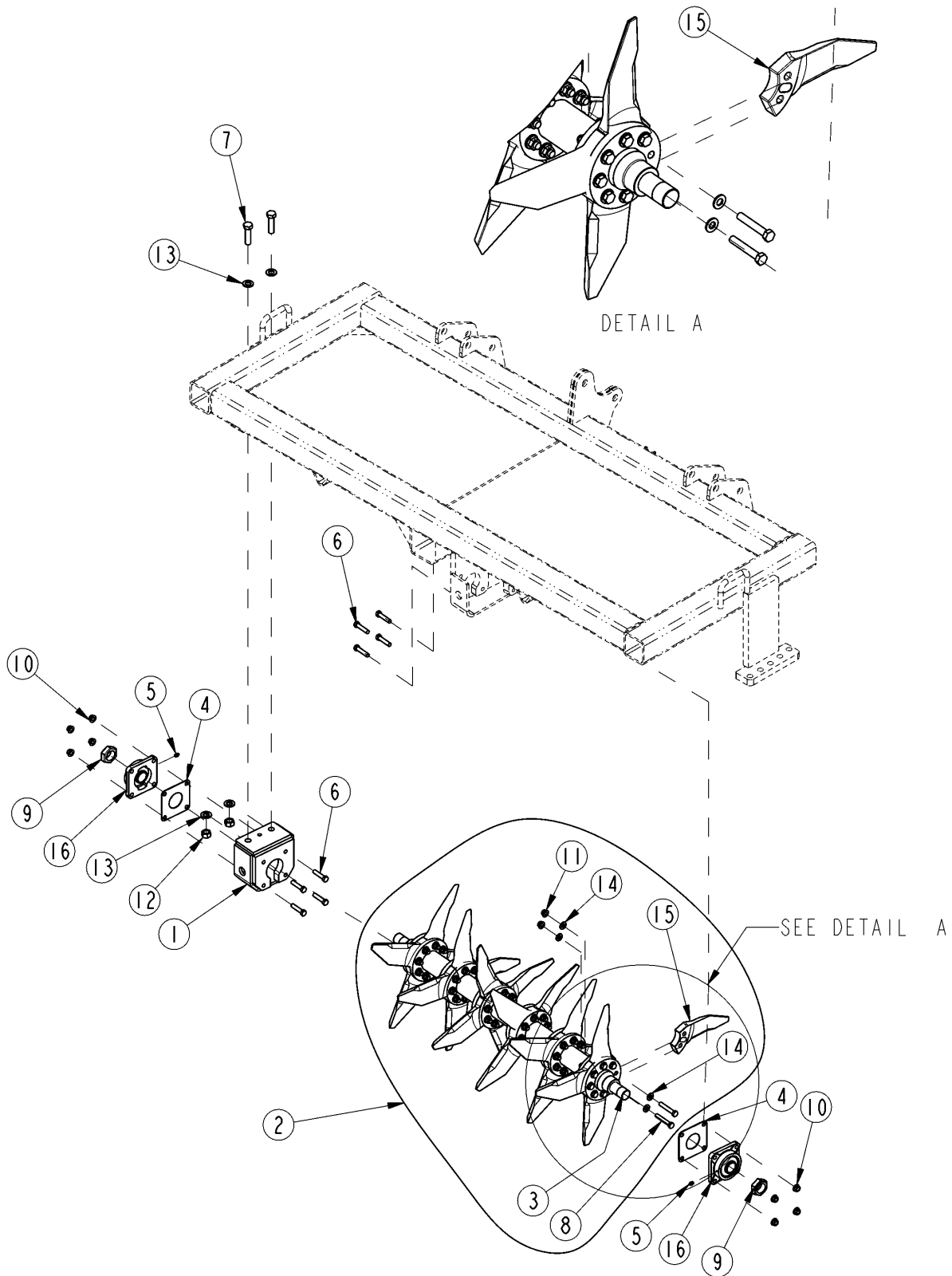
27962

**Rotor Components L.H.****Applies to AR2510, AR2596**

<b>Ref</b>	<b>Part No.</b>	<b>Part Description</b>	<b>Comments</b>	<b>Revision</b>
	dwg27962	Drawing Image Number		
1.	325-117H	BEARING SUPPORT OUTER	AR2596	
1.	325-117H82	BEARING SUPPORT OUTER ORANGE		
1.	325-133H	BEARING SUPPORT OUTER 10'	AR2510	
1.	325-133H82	BEARING SUPPORT OUTER 10' ORANGE		
2.	325-120S	LH 48" ROTOR ASSEMBLY	AR2596	
2.	325-130S	LH 60" ROTOR ASSEMBLY	AR2510	
3.	325-122H	ROTOR WELDMENT AR2596		
3.	325-131H	ROTOR WELDMENT AR2510		
4.	325-200D	SHIM PROTECTOR		
5.	800-130C	GREASE ZERK STRAIGHT 1/8-27NPT		
6.	802-038C	HHCS 1/2-13X2 1/4 GR5		
7.	802-086C	HHCS 3/4-10X2 3/4 GR5		
8.	802-880C	HHCS 1/2-20X3 GRL9 NYL		
9.	803-111C	NUT LT JAM 1 1/2-12 NYLNLN INSR		
10.	803-169C	NUT HEX FLG LOCK 1/2-13 PLT		
11.	803-308C	NUT HEX FLG/LK 1/2-20 PLT.GR.G		
12.	803-367C	NUT HEX TOP LOCK 3/4-10 PLT		
13.	804-025C	WASHER FLAT 3/4 SAE PLT		
14.	804-094C	WASHER FLAT 1/2 HARD ASTMF436		
15.	820-407C	TINE FORGED LH AERATOR	AR2596 24 Ea. AR2510 32 Ea.	
16.	822-248C	BRG FLG 1.50ID X 4 BOLT		

# Rotor Components R.H.

Applies to AR2510, AR2596



27963

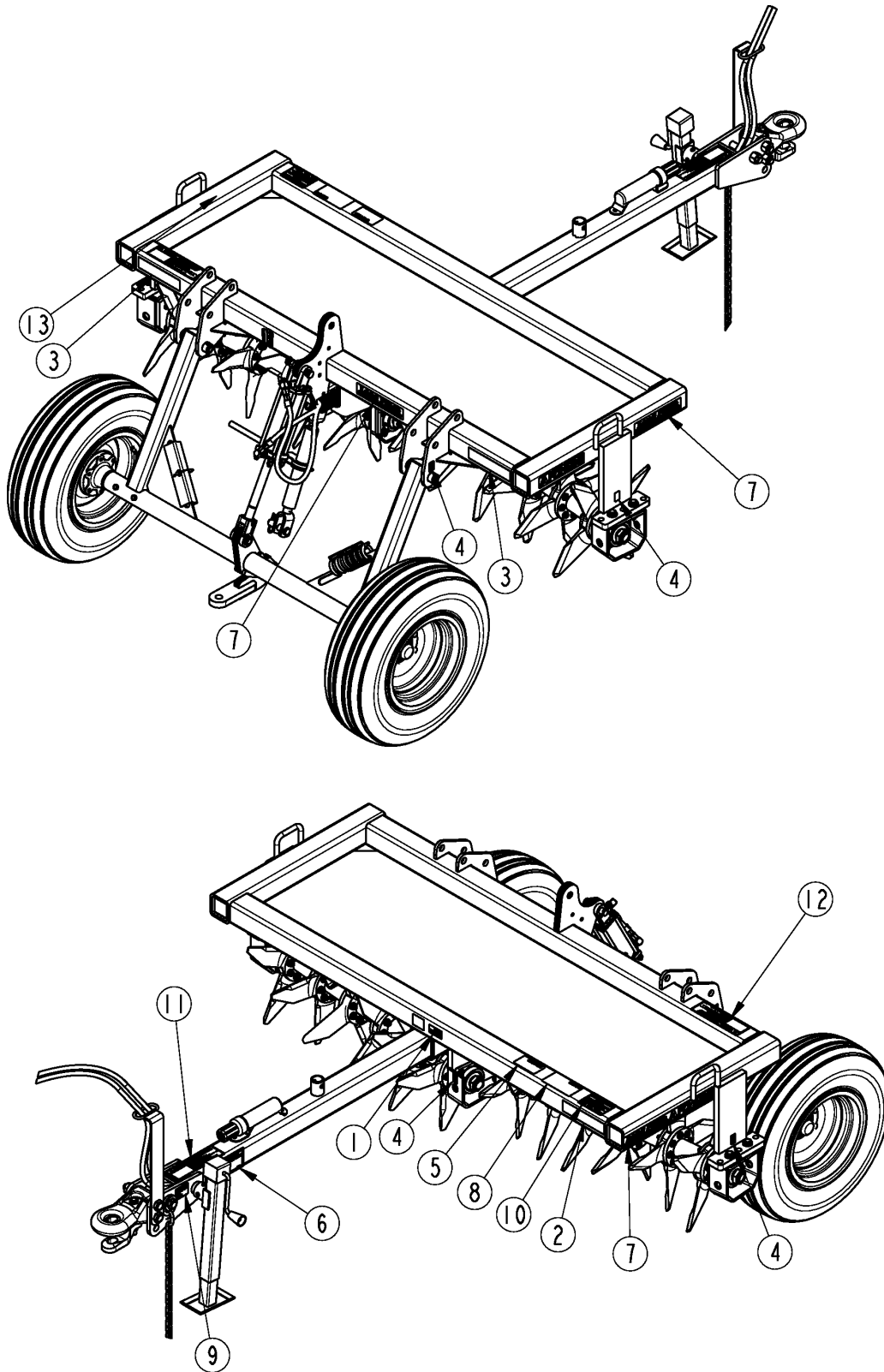


***Rotor Components R.H.*****Applies to AR2510, AR2596**

<b>Ref</b>	<b>Part No.</b>	<b>Part Description</b>	<b>Comments</b>	<b>Revision</b>
	dwg27963	Drawing Image Number		
1.	325-117H	BEARING SUPPORT OUTER	AR2596	
1.	325-117H82	BEARING SUPPORT OUTER ORANGE		
1.	325-133H	BEARING SUPPORT OUTER 10'	AR2510	
1.	325-133H82	BEARING SUPPORT OUTER 10' ORANGE		
2.	325-121S	RH 48" ROTOR ASSEMBLY	AR2596	
2.	325-129S	RH 60" ROTOR ASSEMBLY	AR2510	
3.	325-122H	ROTOR WELDMENT AR2596		
3.	325-131H	ROTOR WELDMENT AR2510		
4.	325-200D	SHIM PROTECTOR		
5.	800-130C	GREASE ZERK STRAIGHT 1/8-27NPT		
6.	802-038C	HHCS 1/2-13X2 1/4 GR5		
7.	802-086C	HHCS 3/4-10X2 3/4 GR5		
8.	802-880C	HHCS 1/2-20X3 GRL9 NYL		
9.	803-111C	NUT LT JAM 1 1/2-12 NYLNLN INSR		
10.	803-169C	NUT HEX FLG LOCK 1/2-13 PLT		
11.	803-308C	NUT HEX FLG/LK 1/2-20 PLT.GR.G		
12.	803-367C	NUT HEX TOP LOCK 3/4-10 PLT		
13.	804-025C	WASHER FLAT 3/4 SAE PLT		
14.	804-094C	WASHER FLAT 1/2 HARD ASTMF436		
15.	820-408C	TINE FORGED RH AERATOR	AR2596 24 Ea. AR2510 32 Ea.	
16.	822-248C	BRG FLG 1.50ID X 4 BOLT		

# Decal Placement

Applies to AR2510, AR2596



27960

***Decal Placement*****Applies to AR2510, AR2596**

<b>Ref</b>	<b>Part No.</b>	<b>Part Description</b>	<b>Comments</b>	<b>Revision</b>
	Dwg 27960	Drawing Image Number		
1.	818-190C	DECAL FLAG		
2.	838-615C	DECAL REFLECTOR AMBER 2X9	S/N 813017+	
2.	818-229C	DECAL AMBER REFLECTOR	S/N 813016-	
3.	838-614C	DECAL REFLECTOR RED 2X9	S/N 813017+	
3.	818-230C	DECAL RED REFLECTOR	S/N 813016-	
4.	818-298C	DECAL GREASE 25HRS BLACK/WHITE		
5.	818-719C	DECAL CAUTION GENERAL INSTR		
6.	818-831C	DECAL WARNING HIGH PRESSURE		
7.	818-897C	RPBY 848-159C	Beige Unit	
7.	848-159C	DECAL LANDPRIDE 10" BROWN/GOLD	Orange Unit	
8.	838-293C	DECAL WARNING READ MANUAL		
9.	838-588C	FOLDING CUTTER SPEED WARNING		
10.	848-247C	DECAL WARNING CRUSH/FLLNG BLD		
11.	848-403C	DECAL NEG TONGUE WT HAZARD AR		
12.	848-404C	DECAL WARN TIP OVER/CRSH HZRD		
13.	848-440C	DECAL AR2596 GOLD		
13.	848-442C	DECAL AR2510 GOLD		
13.	848-441C	RPBY 848-440C	Obsolete	
13.	848-443C	RPBY 848-442C	Obsolete	

***Land Pride Touch-up Paints***

---

Applies to AR2510, AR2596

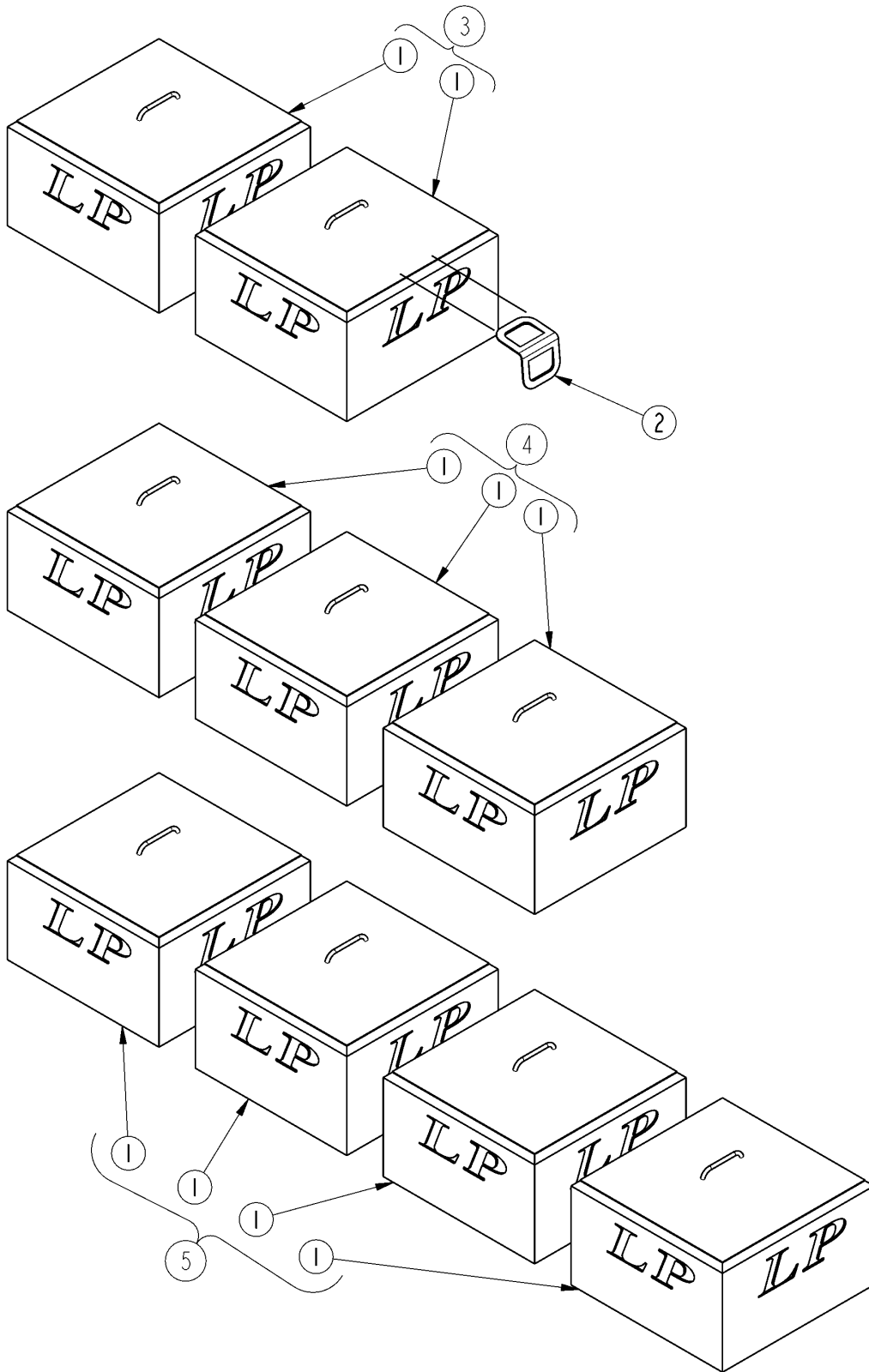
**No diagram associated with this Parts List**

**Land Pride Touch-up Paints****Applies to AR2510, AR2596**

<b>Ref</b>	<b>Part No.</b>	<b>Part Description</b>	<b>Comments</b>	<b>Revision</b>
1.	821-011C	LP BEIGE SPRAY CAN	Spray can	
1.	821-070C	GLOSS BLACK SPRAY CAN	Spray can	
1.	821-054C	MED. RED SPRAY TRCK/CTR	Spray can	
1.	821-058C	GREEN SPRAY CUTTERS	Spray can	
1.	821-066C	ORANGE SPRAY CAN	Spray can	
1.	821-067C	BLUE SPRAY CAN	Spray can	
1.	821-080C	PAINT ALUMINUM/ZINC SPRAY CAN	Spray can	
2.	821-011CTU	LP BEIGE TOUCH-UP 5OZ	Touch-up bottle with brush	
2.	821-070CTU	GLOSS BLACK TOUCH-UP 5OZ	Touch-up bottle with brush	
2.	821-054CTU	MED RED TOUCH-UP 5OZ	Touch-up bottle with brush	
2.	821-058CTU	GREEN TOUCH-UP 5OZ	Touch-up bottle with brush	
2.	821-066CTU	ORANGE TOUCH-UP 5OZ	Touch-up bottle with brush	
2.	821-067CTU	BLUE TOUCH-UP 5OZ	Touch-up bottle with brush	
2.	821-080CTU	PAINT ALUMINUM/ZINC TOUCH UP	Touch-up bottle with brush	
3.	821-011CQT	LP BEIGE QUART	Quart can	
3.	821-070CQT	GLOSS BLACK QUART	Quart can	
3.	821-054CQT	MED RED QUART	Quart can	
3.	821-058CQT	GREEN QUART	Quart can	
3.	821-066CQT	ORANGE QUART	Quart can	
3.	821-067CQT	BLUE QUART	Quart can	
3.	821-080CQT	PAINT ALUMINUM/ZINC QUART	Quart can	
4.	821-011CGL	LP BEIGE GALLON	Gallon can	
4.	821-070CGL	GLOSS BLACK GALLON	Gallon can	
4.	821-054CGL	MED RED GALLON	Gallon can	
4.	821-058CGL	GREEN GALLON	Gallon can	
4.	821-066CGL	ORANGE GALLON	Gallon can	
4.	821-067CGL	BLUE GALLON	Gallon can	
4.	821-080CGL	PAINT ALUMINUM/ZINC GALLON	Gallon can	

# Concrete Block Bundles

Applies to AR2510, AR2596



30121

## **Concrete Block Bundles**

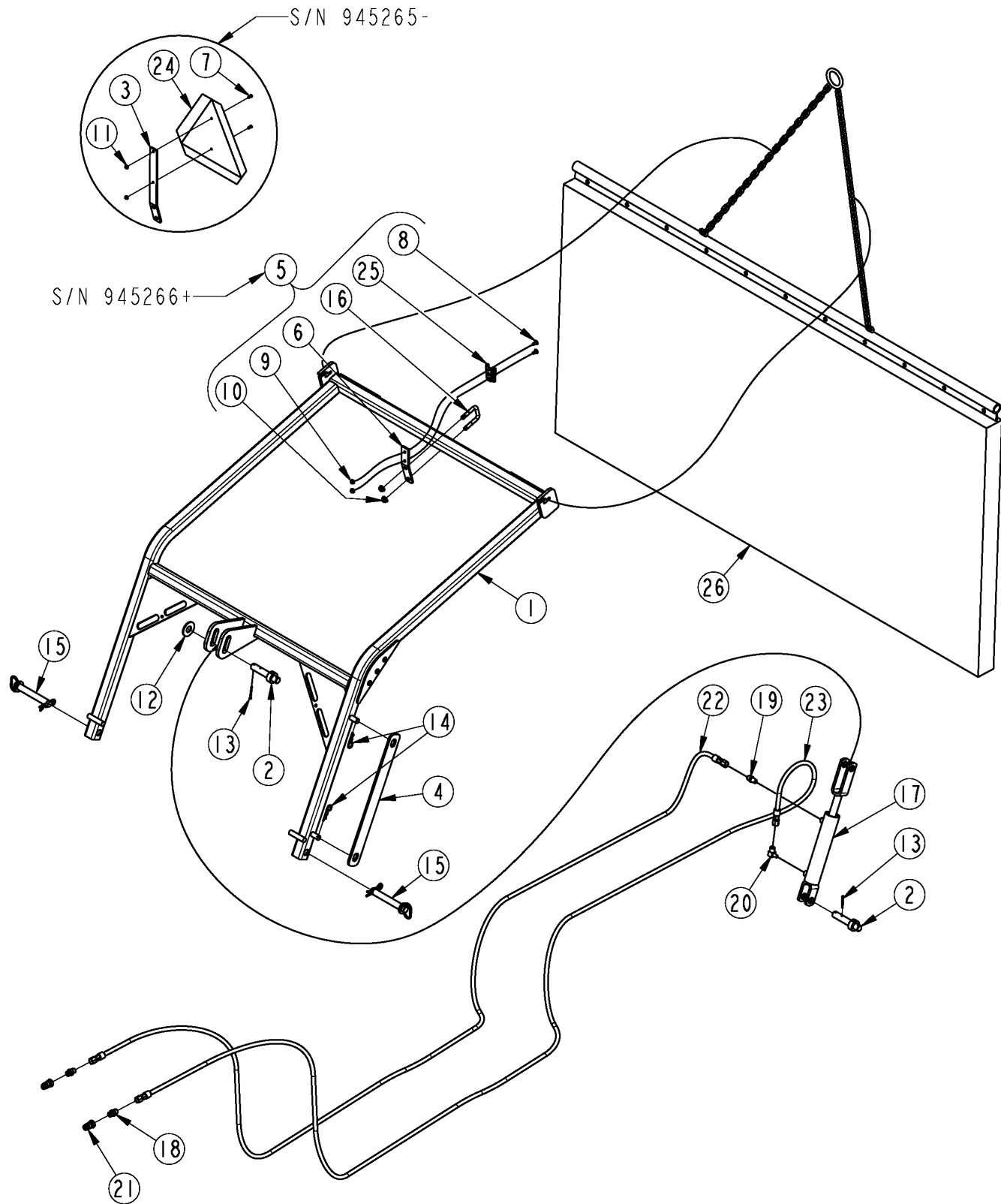
---

**Applies to AR2510, AR2596**

<b>Ref</b>	<b>Part No.</b>	<b>Part Description</b>	<b>Comments</b>	<b>Revision</b>
	dwg30121	Drawing Image Number *		
1.	325-123S	CONCRETE BLOCK W/LIFT 740 LBS		
2.	816-646C	RUBBER CORNER PROTECTOR LARGE	Order as Required	
3.	325-124A	CONCRETE BLOCKS (2)		
4.	325-125A	CONCRETE BLOCKS (3)		
5.	325-132A	CONCRETE BLOCKS (4)	AR2510 Only	

# Drag Harrow Pull Type

Applies to AR2510, AR2596



27961

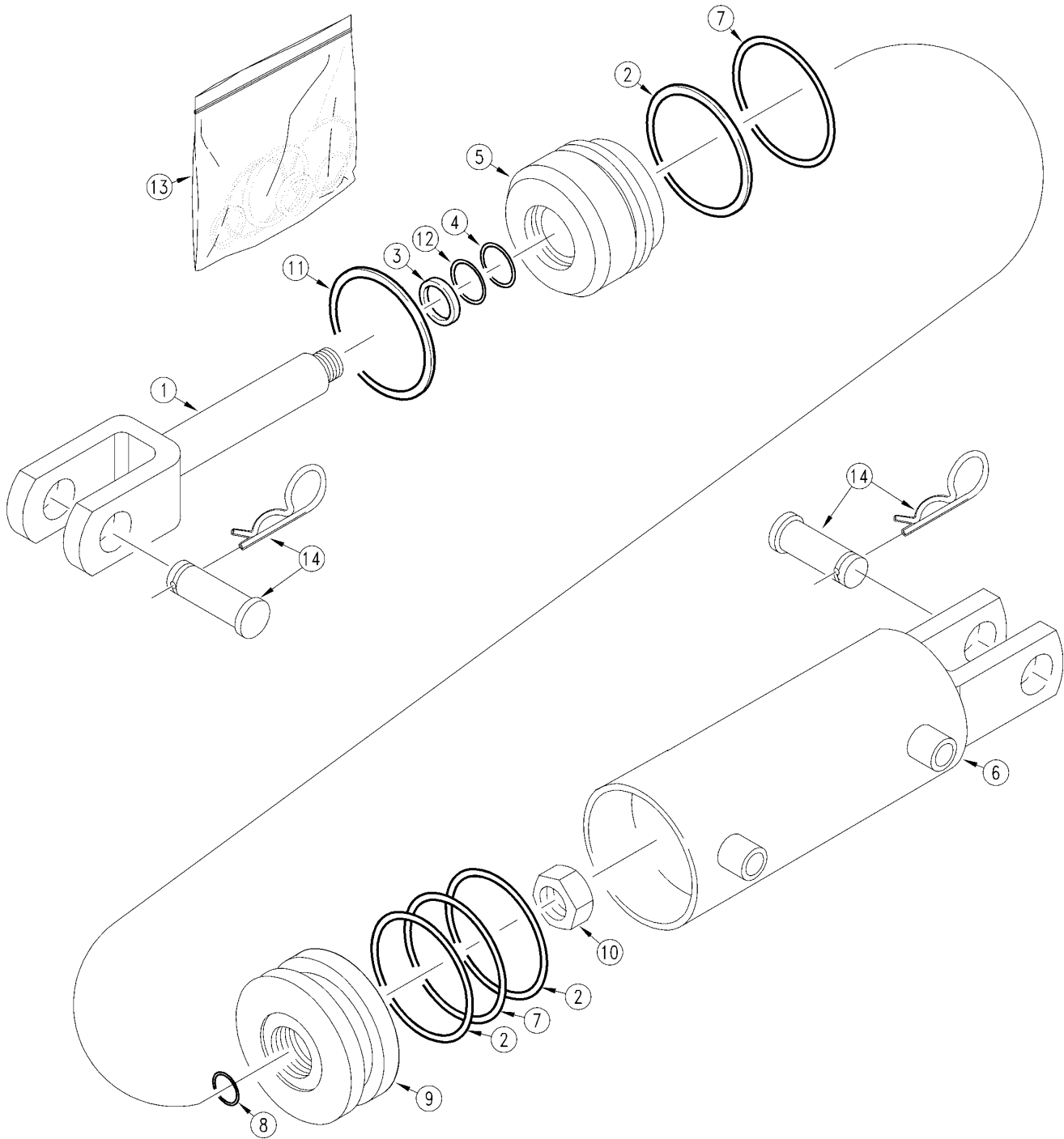


**Drag Harrow Pull Type****Applies to AR2510, AR2596**

<b>Ref</b>	<b>Part No.</b>	<b>Part Description</b>	<b>Comments</b>	<b>Revision</b>
	Dwg 27961	Drawing Image Number		
1.	325-066H	REAR HARROW LIFT/PULL FRAME		
2.	325-071H	WLDMT CYLINDER PIN DUAL		
3.	325-102D	BRACKET SMV	S/N 945265-	
4.	325-118D	LOCK TRANSPORT HARROW		
5.	325-149V	SMV SIGN MOUNT	S/N 945266+	
6.	325-245D	SMV MOUNT BAR	S/N 945266+	
7.	801-018C	SCREW RD HD 1/4-20 X 5/8	S/N 945265-	
8.	802-092C	RHSNB 5/16-18X3/4 GR5	S/N 945266+	
9.	803-043C	NUT HEX WHIZ 5/16-18 PLT	S/N 945266+	
10.	803-169C	NUT HEX FLG LOCK 1/2-13 PLT		
11.	803-293C	NUT HEX FLG TL 1/4-20 ZNYCR	S/N 945265-	
12.	804-028C	WASHER FLAT 1 USS PLT		
13.	805-017C	PIN COTTER 3/16 X 1 3/4 PLT		
14.	805-032C	PIN HAIR COTTER .148 WIRE		
15.	805-033C	PIN HITCH 1 X 6 W/HAIRPIN		
16.	806-005C	U-BOLT 1/2-13 X 2 X 3 GR 5		
17.	810-005C	CYL 2X8X1.12 ROD		
18.	811-088C	AD 3/4MORB 3/4MJIC		
19.	811-148C	AD 3/4MJIC 3/8MNPT		
20.	811-387C	OREL 1/32 3/8MNPT 3/4MJIC		
21.	811-394C	CP 3/4FORB MALE QD POPPET TYPE		
22.	811-937C	HH3/8R2 201 3/4FJIC		
23.	811-945C	HH3/8R2 217 3/4FJIC		
24.	818-055C	DECAL SLOW MOVING-GALV. BACKED	S/N 945265-	
25.	890-401C	SMV MOUNTING SOCKET	S/N 945266+	
26.	DRG08	DRAG HARROW 8X4	AR2596	
26.	DRG10	DRAG HARROW 10X4	AR2510	

# Hydraulic Cylinder (810-005C)

Applies to AR2510, AR2596



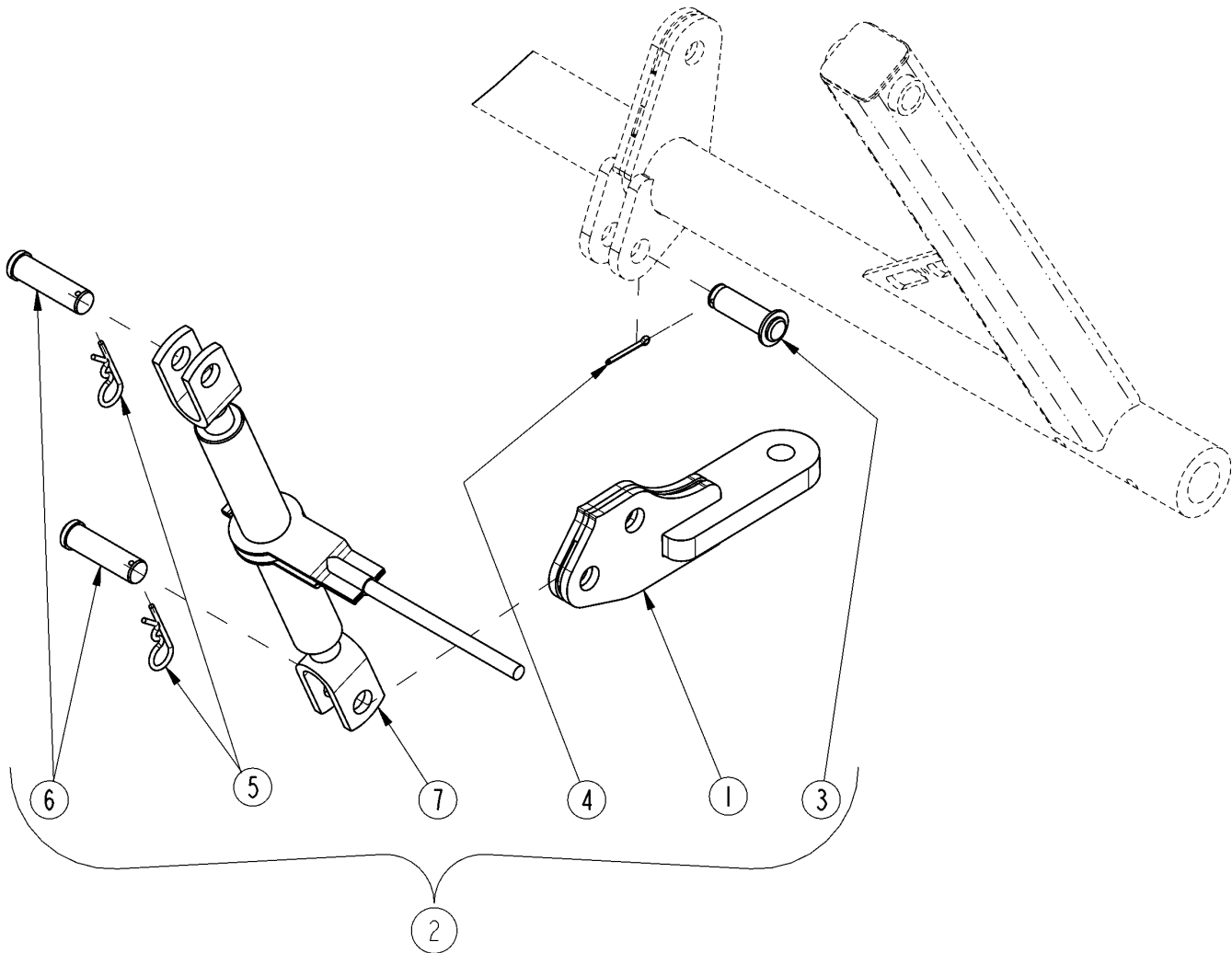
14078

**Hydraulic Cylinder (810-005C)****Applies to AR2510, AR2596**

<b>Ref</b>	<b>Part No.</b>	<b>Part Description</b>	<b>Comments</b>	<b>Revision</b>
	Dwg 14078	Drawing Image Number		
	810-005C	CYL 2X8X1.12 ROD SINGLE ACTING *		
1.	0A002526	EGY ROD 1.125DIA W/C		
1.	A-2526	RPBY 0A002526	Obsolete	
2.		BACKUP RING 2" OD	Only found in seal kit 13.	
3.		WIPER ROD	Only found in seal kit 13.	
4.		O-RING 1 1/8" ID X 1 3/8"OD	Only found in seal kit 13.	
5.	A-1906	EGY PISTON ROD GUIDE		
6.	B-988	EGY CYLINDER BODY		
7.		O-RING 1 5/8" ID X 2"OD	Only found in seal kit 13.	
8.		O-RING 3/4" ID X 7/8" OD	Only found in seal kit 13.	
9.	A-1845	EGY PISTON		
10.	82464	EGY 7/8-14UNF REG HEX LOCK NUT		
11.	83198	EGY RETAINER RING INTERNAL		
12.		BACKUP RING 1 3/8" OD	Only found in seal kit 13.	
13.	810-012C	CYL SEAL KIT 2 X 8 (ENERGY)		
14.	805-004C	PIN CLEVIS 1 X 2 3/4 USABLE LG		

# Rear Hitch Kit

Applies to AR2510, AR2596



30122

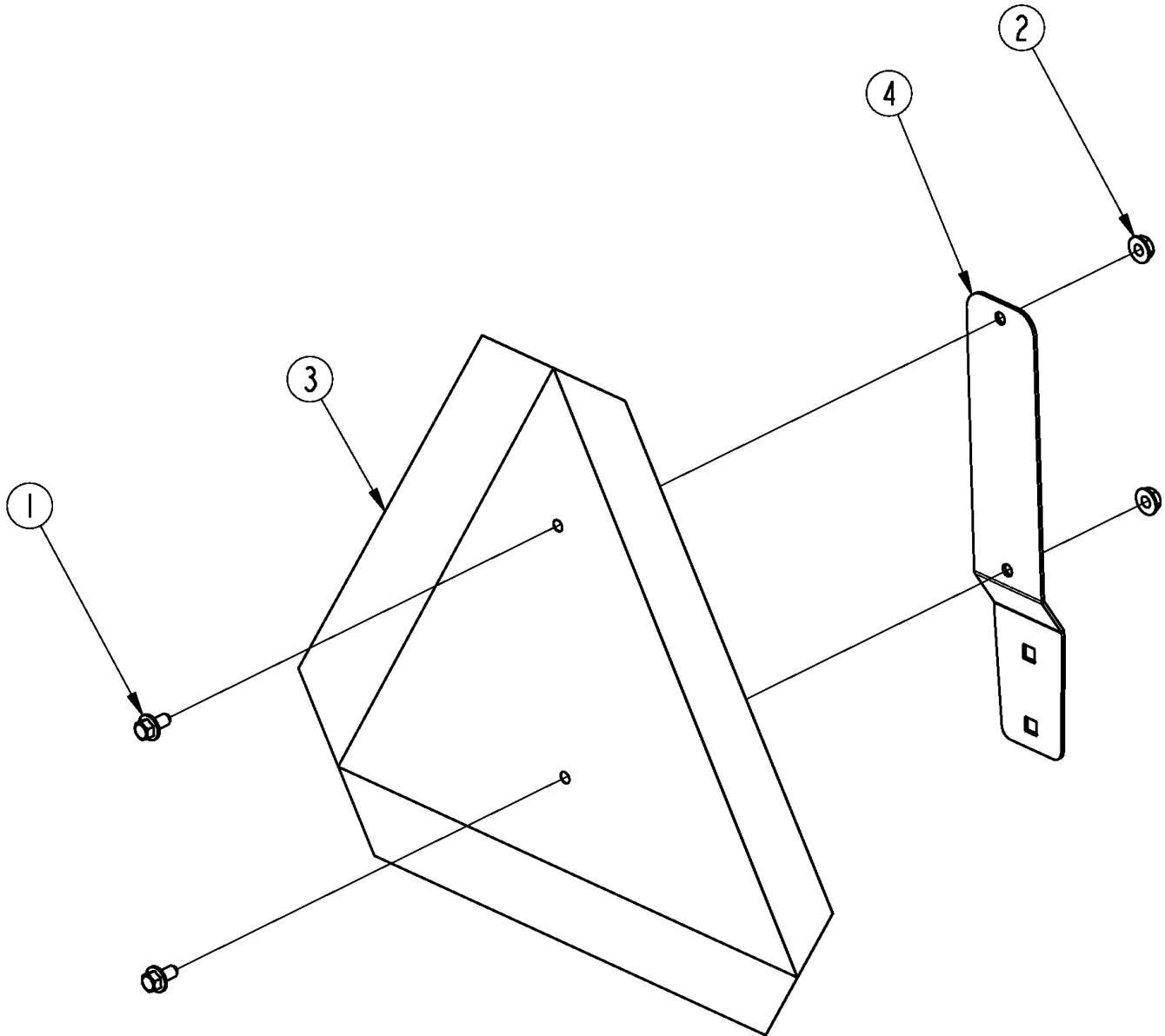
## **Rear Hitch Kit**

**Applies to AR2510, AR2596**

<b>Ref</b>	<b>Part No.</b>	<b>Part Description</b>	<b>Comments</b>	<b>Revision</b>
	dwg30122	Drawing Image Number		
1.	325-057H	HITCH LEVEL WLDMT		
2.	325-118A	REAR HITCH KIT		
3.	805-004C	PIN CLEVIS 1 X 2 3/4 USABLE LG		
4.	805-017C	PIN COTTER 3/16 X 1 3/4 PLT		
5.	805-088C	PIN, HAIR COTTER 3/16 WIRE DIA	Comes With Item #7	
6.	805-090C	PIN CLEVIS 1 X 3 3/16 LG	Comes With Item #7	
7.	890-177C	RATCHET JACK - HEAVY DUT		

# SMV Sign

Applies to AR2510, AR2596



37482

## **SMV Sign**

**Applies to AR2510, AR2596**

<b>Ref</b>	<b>Part No.</b>	<b>Part Description</b>	<b>Comments</b>	<b>Revision</b>
	Dwg 37482 316-362S	Image No. SMV SIGN *		
1.	802-148C	HFSS 1/4-20X1/2 GR5		
2.	803-230C	NUT HEX FLANGE 1/4-20 PLT		
3.	818-055C	DECAL SLOW MOVING-GALV. BACKED		
4.	890-153C	SMV MOUNTING BLADE		



# Part Number Index

The Part Number Index is a numeric index of all part numbers included in this manual. The index shows what page(s) the part is used on.

<u>Part Number</u>	<u>Page</u>	<u>Part Number</u>	<u>Page</u>	<u>Part Number</u>	<u>Page</u>
0A002526	27	803-111C	15, 17	821-058CQT	21
161-046K	7	803-169C	15, 17, 25	821-058CTU	21
1M6010-ADI	13	803-230C	31	821-066C	21
200-001D	7	803-234C	13	821-066CGL	21
2A0014	13	803-293C	25	821-066CQT	21
2A0024	13	803-308C	15, 17	821-066CTU	21
2M4416	13	803-367C	15, 17	821-067C	21
316-362S	9, 31	804-007C	9	821-067CGL	21
318-775D	7	804-016C	13	821-067CQT	21
325-047H	7	804-025C	15, 17	821-067CTU	21
325-057H	29	804-028C	9, 25	821-070C	21
325-062V	7	804-029C	9	821-070CGL	21
325-066H	25	804-055C	7	821-070CQT	21
325-071H	25	804-094C	15, 17	821-070CTU	21
325-073H	9	805-004C	11, 27, 29	821-080C	21
325-094D	7	805-017C	11, 25, 29	821-080CGL	21
325-102D	25	805-032C	25	821-080CQT	21
325-116H	9	805-033C	25	821-080CTU	21
325-116H82	9	805-058C	9	822-018C	7
325-117H	15, 17	805-065C	7	822-019C	7
325-117H82	15, 17	805-088C	11, 13, 29	822-020C	7
325-118A	29	805-090C	29	822-021C	7
325-118D	25	805-124C	11, 13	822-248C	15, 17
325-119H	9	805-219C	9	82464	27
325-119H82	9	805-246C	7	83198	27
325-120S	15	806-005C	25	838-293C	19
325-121S	17	810-005C	25, 27	838-588C	19
325-122H	15, 17	810-012C	27	838-614C	19
325-123S	23	810-015C	13	838-615C	19
325-124A	23	810-818C	7	848-159C	19
325-125A	23	811-088C	11, 25	848-247C	19
325-128H	9	811-148C	25	848-403C	19
325-128H82	9	811-216C	11	848-404C	19
325-129S	17	811-347C	11	848-440C	19
325-130S	15	811-387C	25	848-441C	19
325-131H	15, 17	811-394C	11, 25	848-442C	19
325-132A	23	811-937C	11, 25	848-443C	19
325-133H	15, 17	811-945C	25	890-153C	31
325-133H82	15, 17	811-967C	11	890-177C	29
325-149V	25	814-008C	7	890-182C	9
325-200D	15, 17	814-011C	7	890-246C	9
325-244D	11, 13	815-077C	7	890-401C	25
325-245D	25	815-082C	7	890-798C85	9
3R1410	13	815-356C	7	890-872C85	9
4M4108	13	816-011C	7	A-1845	27
5M4116	13	816-035C	7	A-1906	27
6R1146-ADI	13	816-504C	9	A-2526	27
7M4414	13	816-646C	23	B-988	27
800-080C	7	817-759C	11	DRG08	25
800-130C	15, 17	817-821C	9	DRG10	25
801-018C	25	818-055C	25, 31	Dwg 14078	27
802-023C	13	818-190C	19	Dwg 27955	9
802-038C	15, 17	818-229C	19	Dwg 27960	19
802-041C	7	818-230C	19	Dwg 27961	25
802-075C	9	818-298C	19	Dwg 37482	31
802-086C	15, 17	818-719C	19	dwg27956	7
802-092C	25	818-831C	19	dwg27959	11
802-104C	7	818-897C	19	dwg27962	15
802-115C	7	820-407C	15	dwg27963	17
802-144C	9	820-408C	17	dwg30121	23
802-148C	31	821-011C	21	dwg30122	29
802-283C	9	821-011CGL	21	dwg30271	13
802-880C	15, 17	821-011CQT	21	N/A	13
802-911C	9	821-011CTU	21		
803-011C	7	821-054C	21		
803-019C	7	821-054CGL	21		
803-026C	9	821-054CQT	21		
803-029C	7	821-054CTU	21		
803-038C	9	821-058C	21		
803-043C	25	821-058CGL	21		



***This Page Intentionally Left Blank***



Great Plains Manufacturing, Inc.

Corporate Office: P.O. Box 5060  
Salina, Kansas 67402-5060 USA

[www.landpride.com](http://www.landpride.com)

---