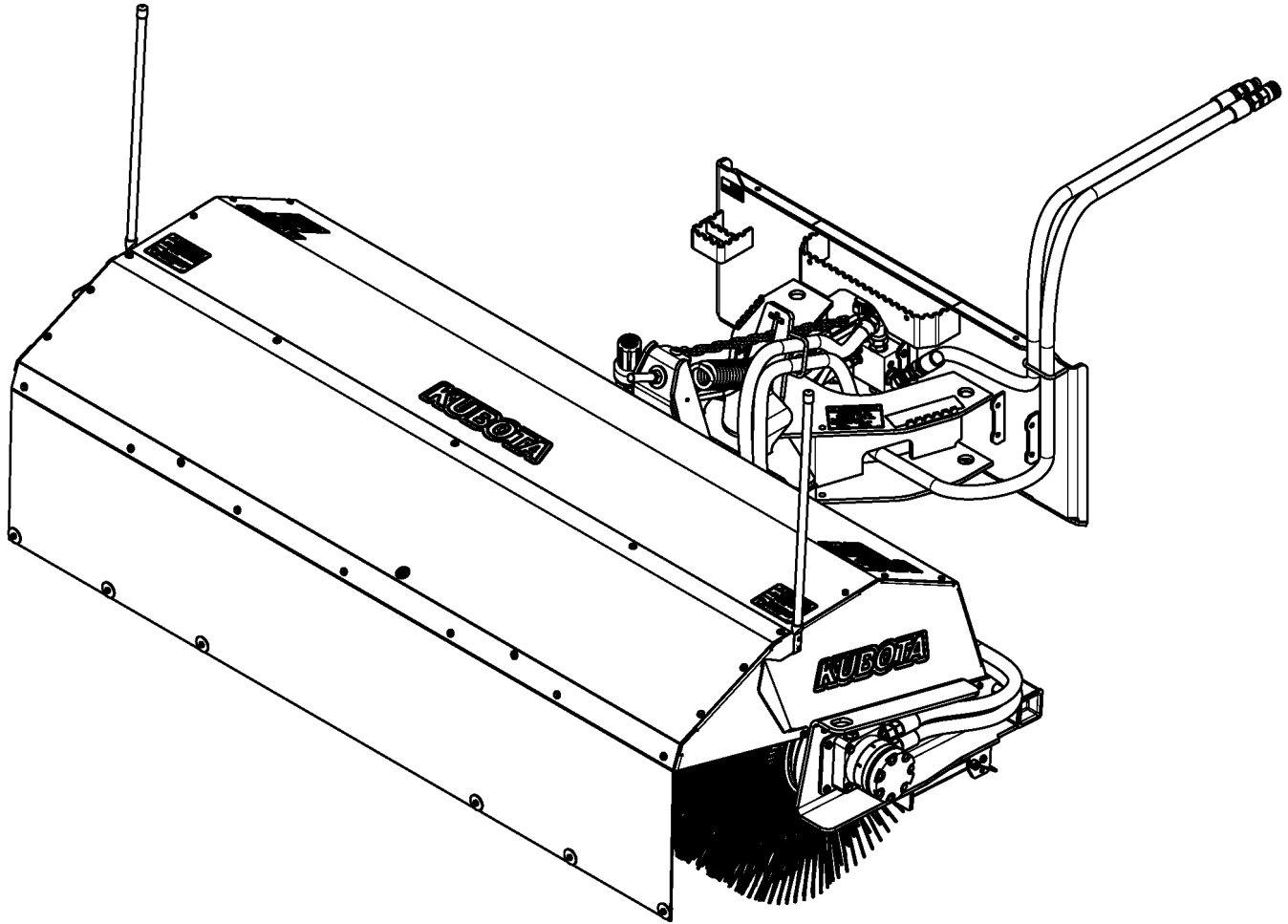


Angle Broom

AP-AB72 & AP-AB84



37694

323-033PK
Parts Manual

Kubota®



Read the Operator's Manual entirely. When you see this symbol, the subsequent instructions and warnings are serious - follow without exception. Your life and the lives of others depend on it!

© Copyright 2018 Printed 07/11/18

Cover photo may show optional equipment not supplied with standard unit.



Table of Contents

Section 1: Introduction.....4	Part Number Index.....68
Using This Manual.....4	
Manual Replacement Information.....4	
Manual Revisions.....4	
Touch-up Paint.....4	
Hardware Legend.....5	
Replacement Hardware.....5	
Serial Numbers.....5	
Part Number Service Coding.....5	
Section 2: Hitch/Broom Components.....6	
Broom Components 3500 PSI.....6	
Hitch/Broom Head.....8	
Section 3: Angling Hydraulic or Manual.....10	
Hydraulic Angle/Motor Plumbing High Flow 3500 PSI.....10	
Hydraulic Angle/Motor Plumbing Low/Medium Flow 3500 PSI.....12	
Manual Angle/Motor Plumbing High Flow 3500 PSI.....14	
Manual Angle/Motor Plumbing Low/Medium Flow 3500 PSI.....16	
Section 4: Hydraulics.....18	
Broom Motor Components 3500 PSI.....18	
Hydraulic Cylinder (810-384C) Cross.....20	
Hydraulic Cylinder (810-384C) Midway.....22	
Hydraulic Cylinder (810-734C) Monarch.....24	
Hydraulic Motor (850-253C) White.....26	
Hydraulic Motor (850-254C) White.....28	
Hydraulic Motor 18 Cubic Inch (810-732C) 3500 PSI.....30	
Hydraulic Motor 23 Cubic Inch (810-731C) 3500 PSI.....32	
Hydraulic Valve Cylinder Control (810-643C).....34	
Hydraulic Valve Flow Control (810-648C).....36	
Section 5: Decals.....38	
Decal Placement.....38	
Kubota Touch-up Paints.....40	
Section 6: Options & Accessories.....42	
Deutsch HD30 14 Pin Plug 73 in. Lg.....42	
Deutsch HD3014 Pin Plug 10 ft. Lg.....44	
Dust Deflector.....46	
Dust Suppression Kit (Water).....48	
Hose & Spray Kit.....50	
Shroud Extension Metal.....52	
SSP15 Marker Edge.....54	
Switch & Power Cable (823-306C).....56	
Switch & Wire Harness.....58	
Switch & Wire Harness (823-183C).....60	
Switch & Wire Harness (823-437C).....62	
Switch & Wire Harness DTP Plug.....64	
Switch & Wire Harness Tractor.....66	

© Copyright 2018. All rights reserved.

Kubota provides this publication “as is” without warranty of any kind, either expressed or implied. While every precaution has been taken in the preparation of this manual, Kubota assumes no responsibility for errors or omissions. Neither is any liability assumed for damages resulting from the use of the information contained herein. Kubota reserves the right to revise and improve its products as it sees fit. This publication describes the state of this product at the time of its publication, and may not reflect the product in the future. The illustrations in this manual are not intended for safe and proper assembly or disassembly of equipment. The illustrations are intended for ordering parts only.

Kubota is registered trademark.

All other brands and product names are trademarks or registered trademarks of their respective holders.

Printed in the United States of America.



Alphabetized Table of Contents

B

Broom Components 3500 PSI.....6
Broom Motor Components 3500 PSI.....18

D

Decal Placement.....38
Deutsch HD30 14 Pin Plug 73 in. Lg.....42
Deutsch HD3014 Pin Plug 10 ft. Lg.....44
Dust Deflector.....46
Dust Suppression Kit (Water).....48

H

Hitch/Broom Head.....8
Hose & Spray Kit.....50
Hydraulic Angle/Motor Plumbing High Flow 3500 PSI..10
Hydraulic Angle/Motor Plumbing Low/Medium Flow 3500
PSI.....12
Hydraulic Cylinder (810-384C) Cross.....20
Hydraulic Cylinder (810-384C) Midway.....22
Hydraulic Cylinder (810-734C) Monarch.....24
Hydraulic Motor (850-253C) White.....26
Hydraulic Motor (850-254C) White.....28
Hydraulic Motor 18 Cubic Inch (810-732C) 3500 PSI...30
Hydraulic Motor 23 Cubic Inch (810-731C) 3500 PSI...32
Hydraulic Valve Cylinder Control (810-643C).....34
Hydraulic Valve Flow Control (810-648C).....36

K

Kubota Touch-up Paints.....40

M

Manual Angle/Motor Plumbing High Flow 3500 PSI....14
Manual Angle/Motor Plumbing Low/Medium Flow 3500
PSI.....16

S

Shroud Extension Metal.....52
SSP15 Marker Edge.....54
Switch & Power Cable (823-306C).....56
Switch & Wire Harness.....58
Switch & Wire Harness (823-183C).....60
Switch & Wire Harness (823-437C).....62
Switch & Wire Harness DTP Plug.....64
Switch & Wire Harness Tractor.....66

General Information

Using This Manual

This manual is divided into sections. The first section contains General Information. The remaining sections divide the machine into segments (i.e. Frames, Drives, Hydraulics, etc.) which illustrate and list all parts. A Parts Number Index is located at the back of the book.

The Kubota parts in this manual are specially designed for this machine and should be replaced with Kubota parts only.

The information in this manual is current at time of printing. Some parts may change to assure top performance.

Right-hand and left-hand as used in this manual are determined by facing the direction the machine will travel while in use.

Below is an example of two facing pages from a parts manual. Familiarize yourself with the type of information contained on these pages.

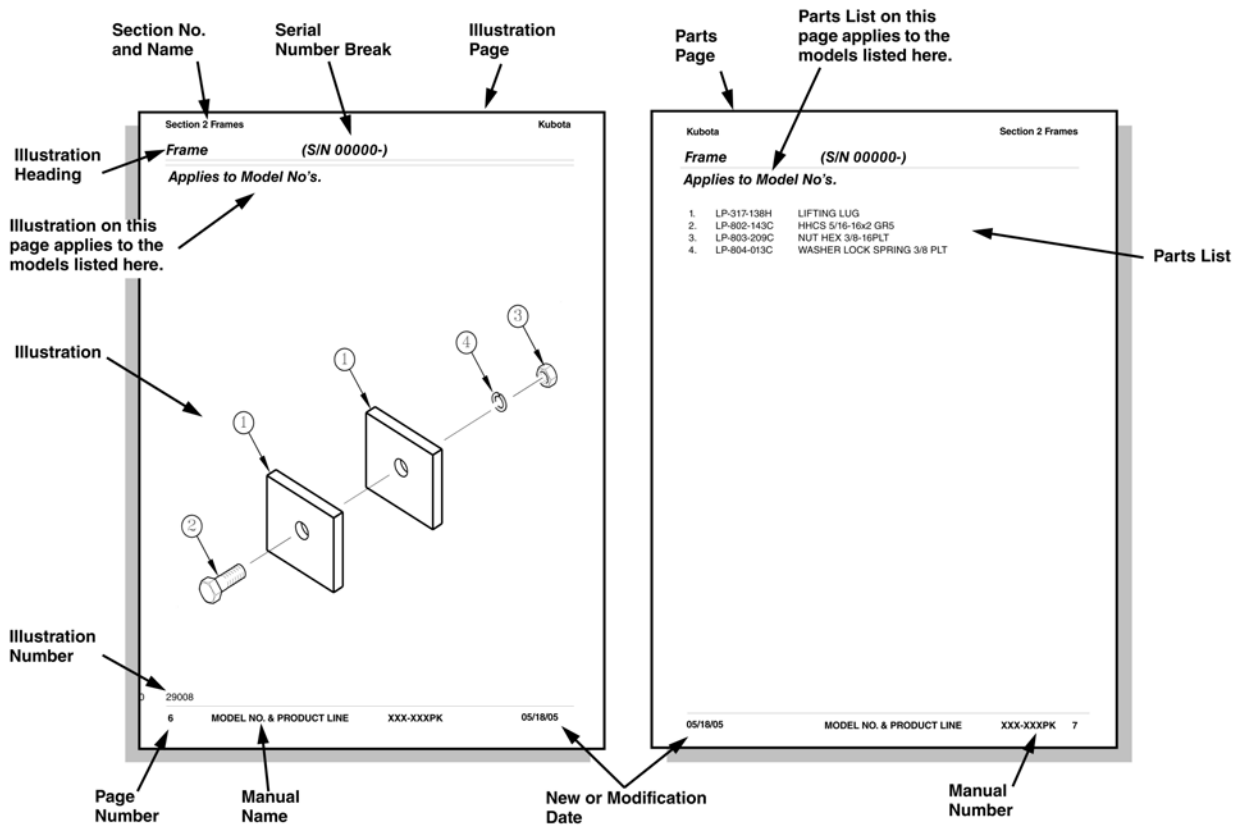
Manual Replacement Information

Replacement manuals are available. Refer to our website at www.landpride.com for additional information. Our website continues to provide the most up-to-date manuals available.

Touch-up Paint

Repaint parts where paint is worn or scratched to prevent rust. Aerosol cans and touch-up bottles with brush applicator are available through your local dealer. Also available are quart and gallon size paints. Add QT or GL to end of the Aerosol P/N.

Kubota color descriptions and part numbers are listed on the "Kubota Touch-up Paints" page in the "Decals" section of this book.



General Information

Hardware Legend

AR	As Required
BLADE	Blade Bolt
C	Cap Screw
CP	Cotter Pin
CPHSSS	Cup Point Hex Socket Set Screw
CPSHSS	Cup Point Square Head Set Screw
CPSQHSS	Cup Point Square Head Set Screw
CRFCHMS3	Cross Recess Flat Countersunk Head Machine Screw
CRPHMS	Cross Recess Pan Head Machine Screw
CRPHTFS	Cross Recess Pan Head Thread Forming
CRRHMS	Cross Recess Round Head Machine Screw
CRTHMS	Cross Recess Truss Head Machine Screw
CSNB	Countersunk Square Neck Bolt
FHMS	Flat Head Machine Screw
FTC	Full Thread Cap Screw
H	Hex Nut
HCLN	Hex Center Lock Nut
HFLCS	Hex Flange Lock Cap Screw
HFS	Hex Flange Screw
HFSLN	Hex Flange Serrated Lock Nut
HFSS	Hex Flange Serrated Screw
HHCS	Hex Head Cap Screw or Metric Bolt
HSBHCS	Hex Socket Button Head Cap Screw
HSFCHCS	Hex Socket Flat Countersunk Head Cap Screw
HSHCS	Hex Socket Head Cap Screw
HSSS	Hex Socket Head Screw
HTLN	Hex Top Lock Nut
HWHCS	Hex Washer Head Cap Screw

HWHMS	Hex Washer Head Machine Screw
HXBHCS	Hex Socket Button Head Cap Screw
J	Hex Jam Nut
JIC	37 Degree Tapered Thread
L	Helical Spring Lock Washer
LUG	Lug Bolt
NFC	National Fine Cap Screw
NPSM	National Pipe Straight Mechanical
NPTF	National Pipe Taper Fuel
P	Wide Plain Washer
PHMS	Pan Head Machine Screw
PLOW	Plow Bolt
RHMS	Round Head Machine Screw
RHSNB	Round Head Square Neck Bolt
SCREW LEVELING	Leveling Screw
SCREW THUMB	Thumb Screw
SCREW WELD	Weld Screw
SFCHMS	Slotted Flat Countersunk Head Machine Screw
SFHMS	Slotted Fillister Head Machine Screw
SP	Special
SP SCREW	Special Screw
SQHSS	Square Head Set Screw
SRHMS	Slotted Round Head Machine Screw
SSS	Socket Set Screw
STCS	Self Tapping Cap Screw
STHMS	Slotted Truss Head Machine Screw
WHEEL	Wheel Studs and Hub Long Bolts
WING	Wing Bolt

Replacement Hardware

The **Hardware Legend** above lists hardware abbreviations used in the parts list. All bolts and nuts are Grade 5 unless otherwise noted. The use of improper grades of hardware can result in personal injury, damage to equipment, or loss of property.

Part Number Service Coding

Within the parts list some part numbers are coded for revisions and interchangeability. See notations in revision column.

Serial Numbers

Always use the serial and model number when ordering parts. Refer to the Operator's Manual for serial number plate location.

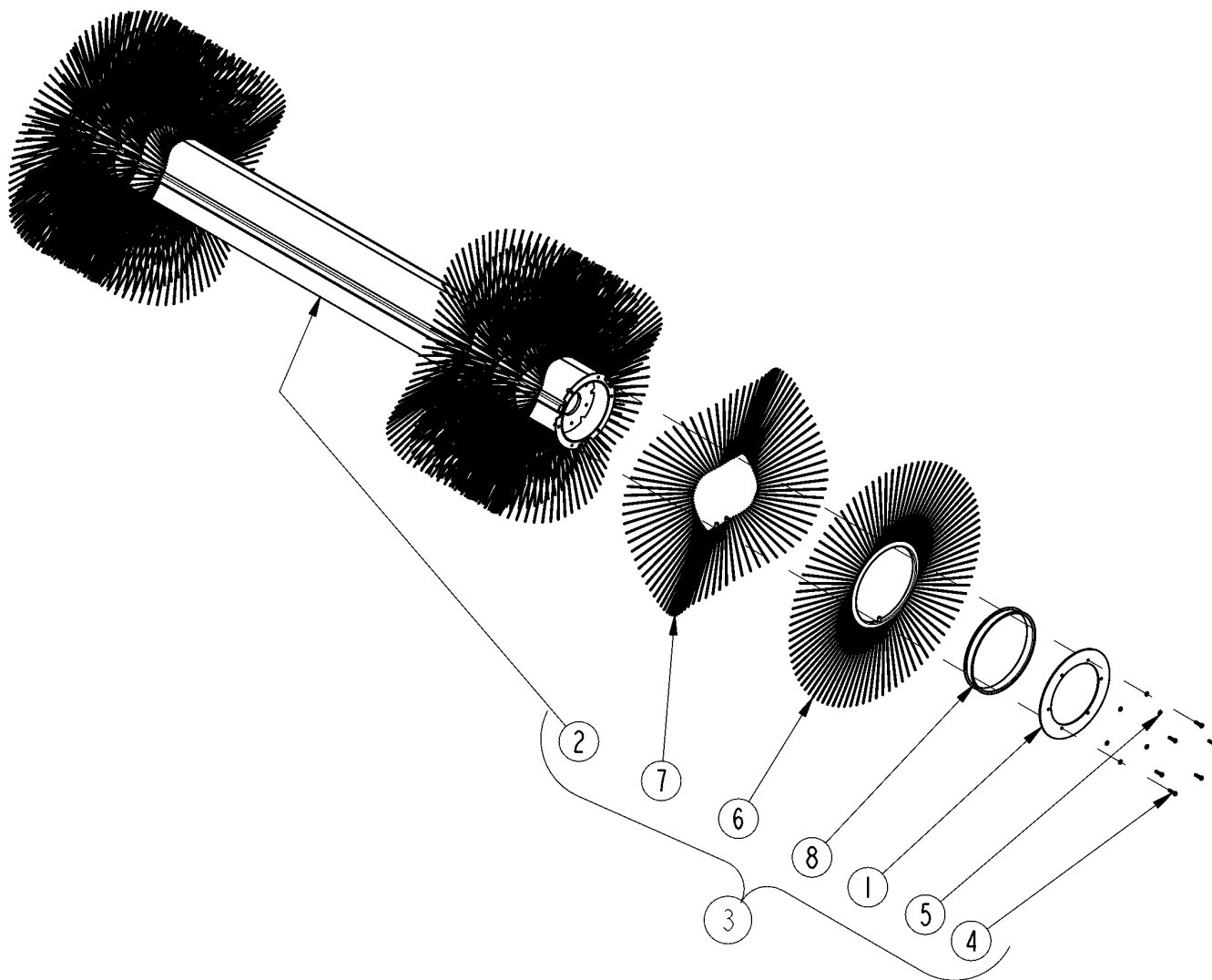
(S/N 20001+) Includes serial numbers 20001 and above (to the latest number)

(S/N 10001 to 20000) Includes serial numbers between and including 10001 and 20000

(S/N 10000-) Includes serial numbers 10000 and below (to the earliest number)

Broom Components 3500 PSI

Applies to AP-AB72, AP-AB84



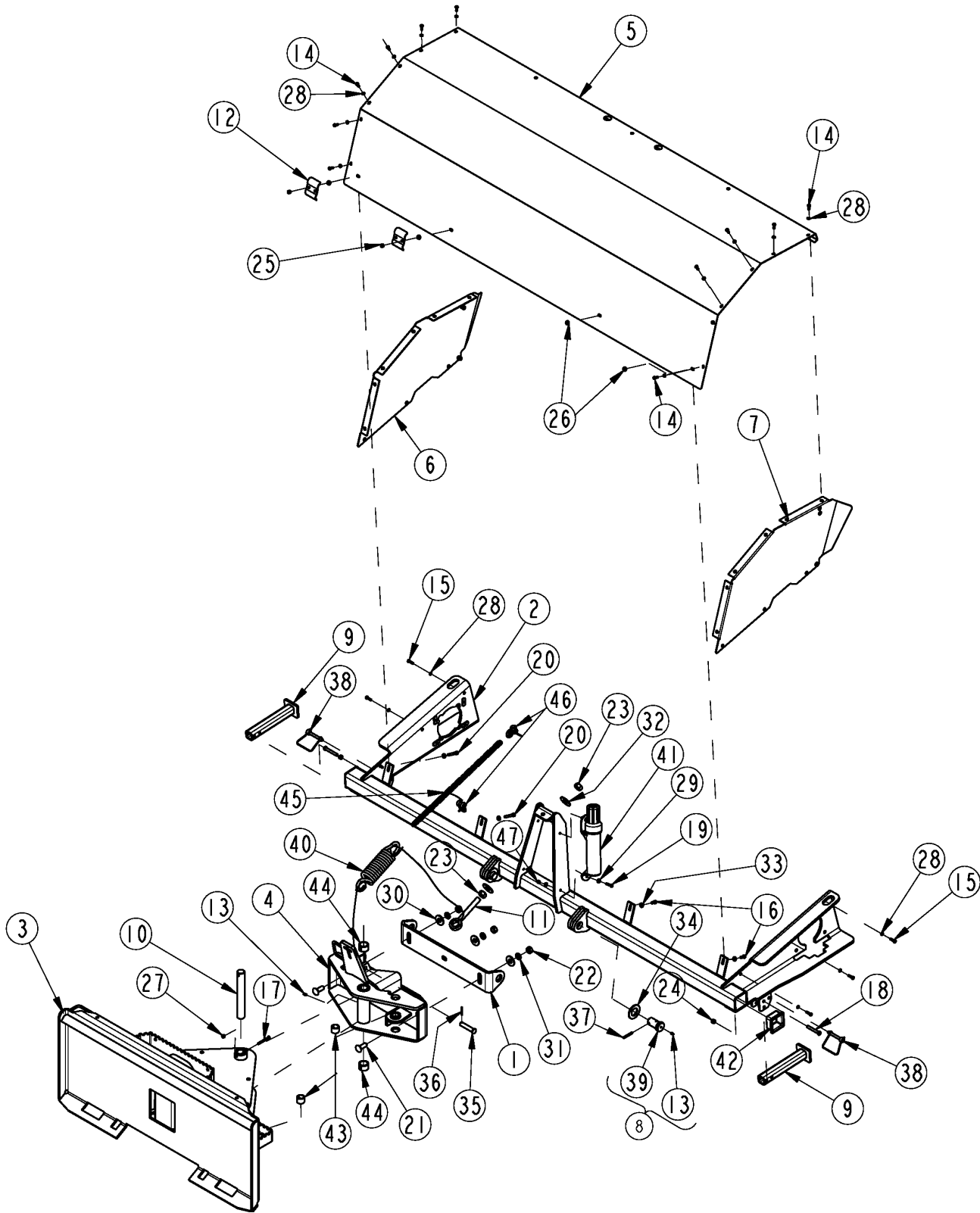
33323

Broom Components 3500 PSI**Applies to AP-AB72, AP-AB84**

Ref	Part No.	Part Description	Comments	Revision
	Dwg 33323	Drawing Image Number		
1.	323-012D	DRUM PLATE		
2.	323-064H	ROLLER DRUM 72	AB72	
2.	323-046H	ROLLER DRUM 84	AB84	
3.	323-066A	BROOM ASSY 72 - POLY	AB72	
3.	323-068A	BROOM ASSY 72 - WIRE	AB72	
3.	323-070A	BROOM ASSY 72 - COMB.	AB72	
3.	323-047A	BROOM ASSY RE - POLY	AB84	
3.	323-048A	BROOM ASSY RE - WIRE	AB84	
3.	323-049A	BROOM ASSY RE - COMB.	AB84	
4.	802-005C	HHCS 1/4-20X1 GR5		
5.	804-006C	WASHER LOCK SPRING 1/4 PLT		
6.	890-998C	POLYPROPYLENE BRISTLE WAFER	2 Ea. in 323-047A	
6.	891-132C	WIRE BRISTLE WAFER	2 Ea. in 323-048A	
6.	891-133C	COMB BRISTLE WAFER	2 Ea. in 323-049A	
6.	891-133C	COMB BRISTLE WAFER	2 Ea. in 323-066A	
6.	891-133C	COMB BRISTLE WAFER	2 Ea. in 323-068A	
6.	891-133C	COMB BRISTLE WAFER	2 Ea. in 323-070A	
7.	890-999C	POLY CONVOLUTED WAFER	AB72 34 Ea. Total Unit & 17 on Comb Bristle	
7.	890-999C	POLY CONVOLUTED WAFER	AB84 40 Ea. Total Unit & 20 on Comb Bristle	
7.	891-114C	WIRE CONVOLUTED WAFER	AB72 34 Ea. Total Unit & 17 on Comb Bristle	
7.	891-114C	WIRE CONVOLUTED WAFER	AB84 40 Ea. Total Unit & 20 on Comb Bristle	
8.	891-163C	WAFER SPACER RING		

Hitch/Broom Head

Applies to AP-AB72, AP-AB84



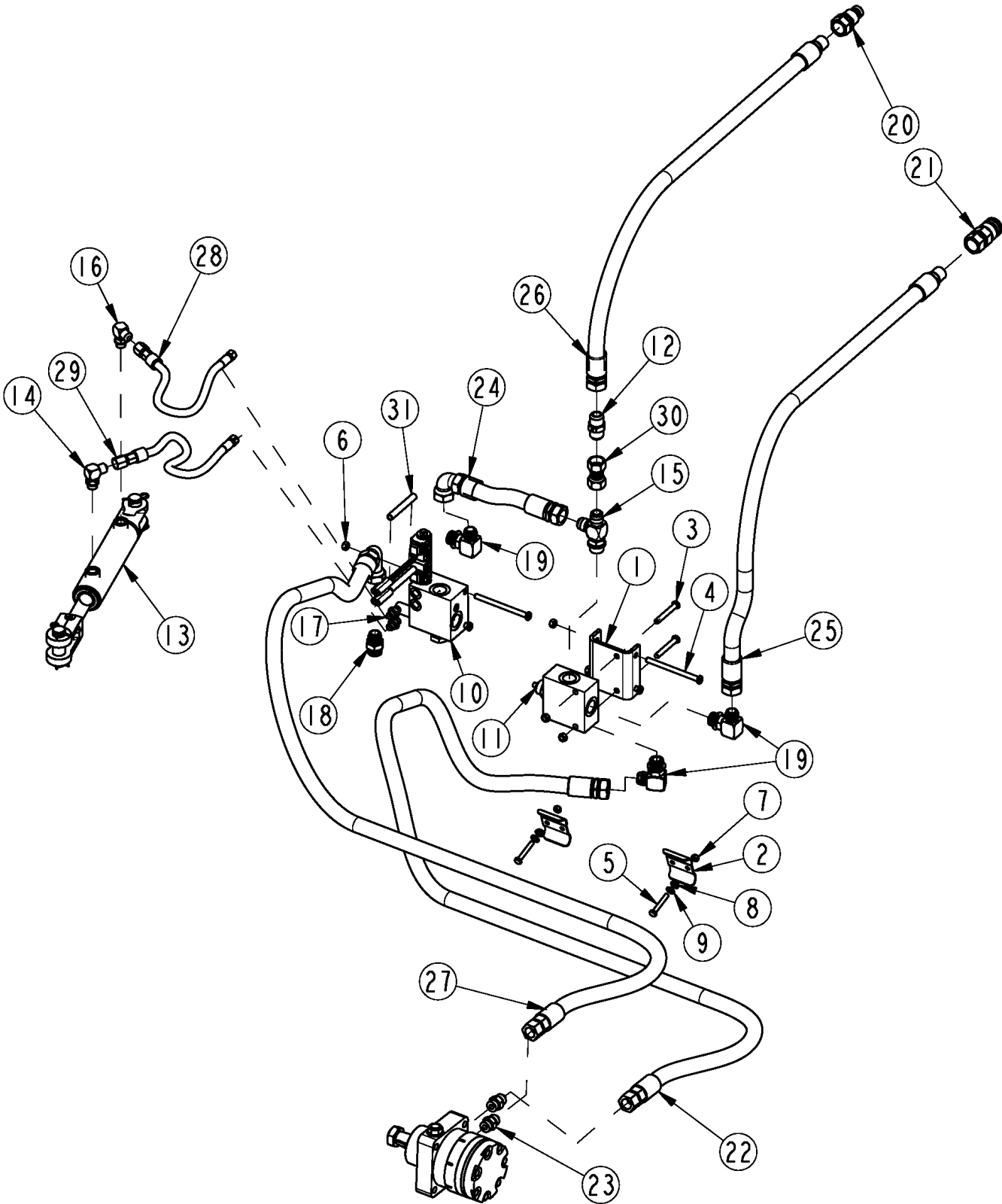
26878

Hitch/Broom Head**Applies to AP-AB72, AP-AB84**

Ref	Part No.	Part Description	Comments	Revision
	Dwg 26878	Drawing Image Number		
1.	323-004D	BROOM HEAD LUG		
2.	323-060H	BROOM HEAD WELDMENT 72	AB72	
2.	323-005H	BROOM HEAD WELDMENT 84	AB84	
3.	323-008H	SKID ANGLE BROOM HITCH		
4.	323-012H	BROOM PIVOT		
5.	323-058S	BROOM SHROUD 72	AB72	
5.	323-022S	BROOM SHROUD 84	AB84	
6.	323-023S	BRUSH MOUNT ARM LH		
7.	323-024S	BRUSH MOUNT ARM RH		
8.	323-025V	PIVOT PIN ASSY. - BROOM		
9.	323-029H	STAND		
10.	323-034D	PIVOT PIN		
11.	323-035H	BOLT EYE 3/4-10X5 WELDED		
12.	502-068D	HYD HOSE CLAMP BRACKET		
13.	800-080C	GREASE ZERK 1/4-28 THD FORMING		
14.	802-004C	HHCS 1/4-20X3/4 GR5		
15.	802-005C	HHCS 1/4-20X1 GR5		
16.	802-007C	HHCS 5/16-18X3/4 GR5		
17.	802-097C	HHCS 1/4-20X2 1/2 GR5		
18.	802-216C	HHCS 3/8-16X2 3/4 GR5		
19.	802-224C	HHCS 1/4-20X1 1/4 GR5		
20.	802-473C	HHCS 5/16-18X2 FTHD		
21.	802-584C	RHSNB 5/8-11X1 3/4 GR5 PLT		
22.	803-021C	NUT HEX 5/8-11 PLT		
23.	803-027C	NUT HEX 3/4-10 PLT		
24.	803-078C	NUT LOCK 3/8-16 NYLON INSERT		
25.	803-084C	NUT HEX NYLOCK 5/16-18 PLT		
26.	803-177C	NUT HEX FLG TP LK 5/16-18ZNYCR		
27.	803-255C	NUT HEX NYLOCK 1/4-20		
28.	804-006C	WASHER LOCK SPRING 1/4 PLT		
29.	804-007C	WASHER FLAT 1/4 SAE PLT		
30.	804-019C	WASHER FLAT 5/8 USS PLT		
31.	804-022C	WASHER LOCK SPRING 5/8 PLT		
32.	804-024C	WASHER FLAT 3/4 USS PLT		
33.	804-036C	WASHER FLAT 5/16 SAE PLT		
34.	804-039C	WASHER FLAT 1 1/4 SAE PLT		
35.	805-028C	PIN CLEVIS 5/8 X 2.77 USALBE		
36.	805-109C	PIN COTTER 1/8 X 1 1/4 PLT		
37.	805-146C	PIN ROLL 1/4 X 2 LG PL		
38.	805-212C	PIN WIRE SNAP LOCK 3/8 X 2 1/2		
39.	805-416C	PIN CLEVIS 1 1/4 X 1 3/4 USBL		
40.	807-283C	SPRING EXT 2.63ODX10.0X.438W		
41.	816-504C	MANUAL STORAGE CONTAINER		
42.	817-422C	PLASTIC CAP FOR 3SQ.X1/4WALL		
43.	890-005C	BUSHING CYL 1 1/4 X 1 X 1		
44.	890-011C	BUSHING SPINDLE 1 1/2X1 1/4X1		
45.	891-130C	CHAIN WELD 1/4 PROOF X 18 LINK		
46.	891-148C	5/16 X 1 1/4 UTILITY CLEVIS		
47.	803-007C	NUT LOCK 1/4-20 PLT		

Hydraulic Angle/Motor Plumbing High Flow 3500 PSI

Applies to AP-AB72, AP-AB84



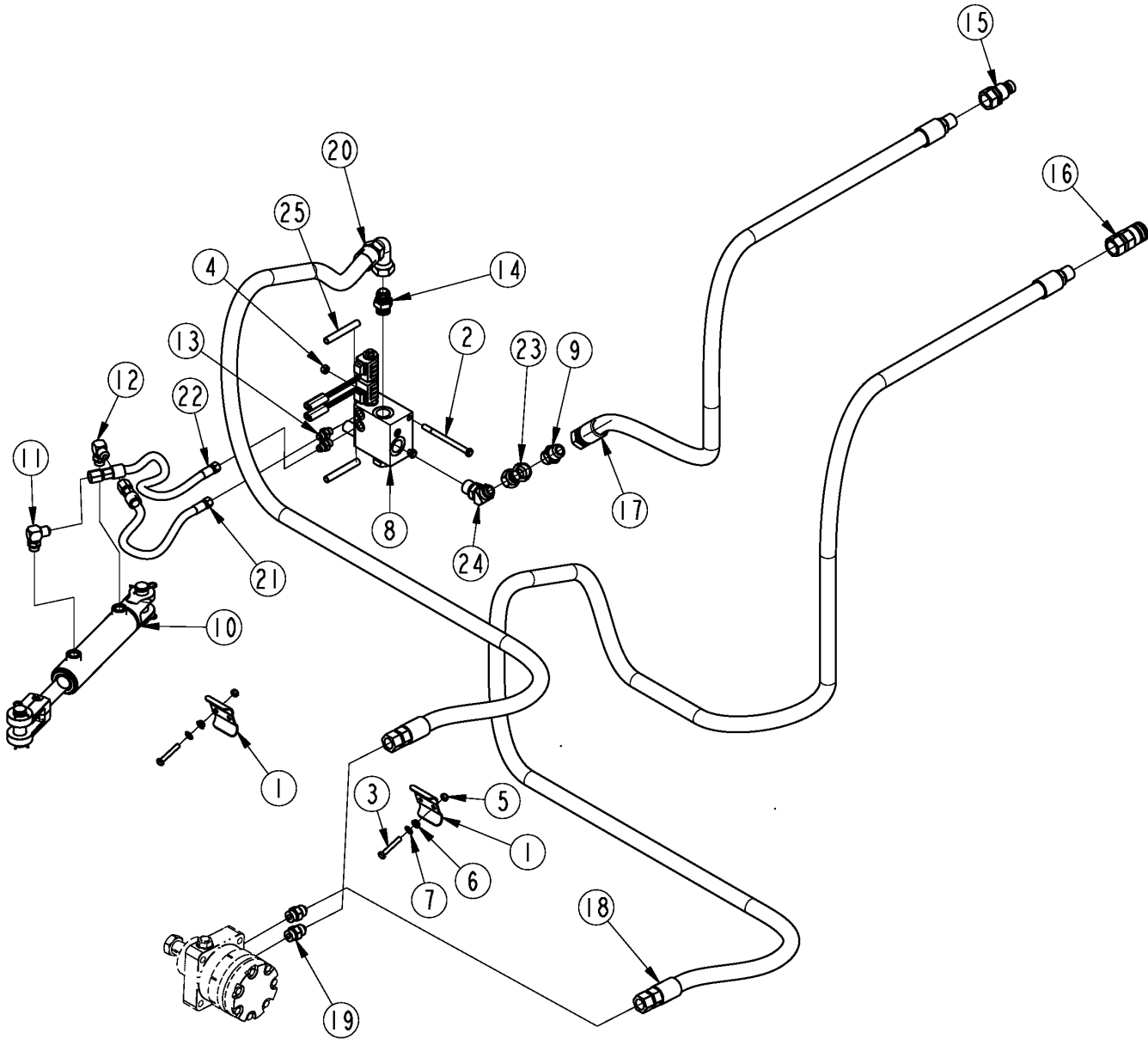
33320

Hydraulic Angle/Motor Plumbing High Flow 3500 PSI**Applies to AP-AB72, AP-AB84**

Ref	Part No.	Part Description	Comments	Revision
	Dwg 33320	Drawing Image Number		
1.	323-008D	PFC MOUNT		
2.	502-068D	HYD HOSE CLAMP BRACKET		
3.	802-216C	HHCS 3/8-16X2 3/4 GR5		
4.	802-318C	HHCS 3/8-16X5 GR5		
5.	802-473C	HHCS 5/16-18X2 FTHD		
6.	803-013C	NUT LOCK 3/8-16 PLT		
7.	803-084C	NUT HEX NYLOCK 5/16-18 PLT		
8.	803-177C	NUT HEX FLG TP LK 5/16-18ZNYCR		
9.	804-036C	WASHER FLAT 5/16 SAE PLT		
10.	810-643C	VALVE, ANGLE BROOM CYL CONTROL		
11.	810-648C	VALVE, FLOW CONTROL		
12.	810-715C	VALVE 3/4 IN-LINE CHECK		
13.	810-734C	CYL 2X6X1.125 WELDED		
14.	811-063C	EL 3/4MJIC 3/4MORB		
15.	811-092C	TE1 1/16MJIC1 1/16MJIC1 1/16MO		
16.	811-153C	OREL 1/16 3/4MJIC 3/4MORB		
17.	811-170C	AD 9/16MORB 9/16MJIC		
18.	811-408C	AD 1 1/16MORB 1 1/16MJIC		
19.	811-411C	EL 1 1/16MJIC 1 1/16MORB		
20.	851-947C	CUP 1 1/16FORB MALE QUICK CPLR		
20.	811-744C	RPBY 851-947C	Obsolete	
21.	851-948C	CUP 1 1/16FORB FML QUICK CPLR		
21.	811-745C	RPBY 851-948C	Obsolete	
22.	841-984C	HH5/8R16S 094 1.06FJIC 7/8FJIC	AB72	
22.	841-313C	HH5/8R16S 100 1.06FJIC 7/8FJIC	AB84	
23.	841-320C	AD 7/8MORB 7/8MJIC		
24.	841-324C	HH5/8R2 012 1 1/16FJIC (1 90)		
25.	841-343C	HH5/8R16S 050 1.06FJIC 1.06MOR		
26.	841-343C	HH5/8R16S 050 1.06FJIC 1.06MOR		
27.	841-983C	HH5/8R16S 081 7/8FJIC 1.06FJIC	AB72	
27.	841-344C	HH5/8R16S 087 7/8FJIC 1.06FJIC	AB84	
28.	841-547C	HH3/8R16 020 3/4FJIC 9/16FJIC		
29.	841-547C	HH3/8R16 020 3/4FJIC 9/16FJIC		
30.	841-548C	AD 1 1/16FJIC 1 1/16FJIC UNION		
31.	990-296R	CORRUGATED LOOM, 3/8 ID		

Hydraulic Angle/Motor Plumbing Low/Medium Flow 3500 PSI

Applies to AP-AB72, AP-AB84



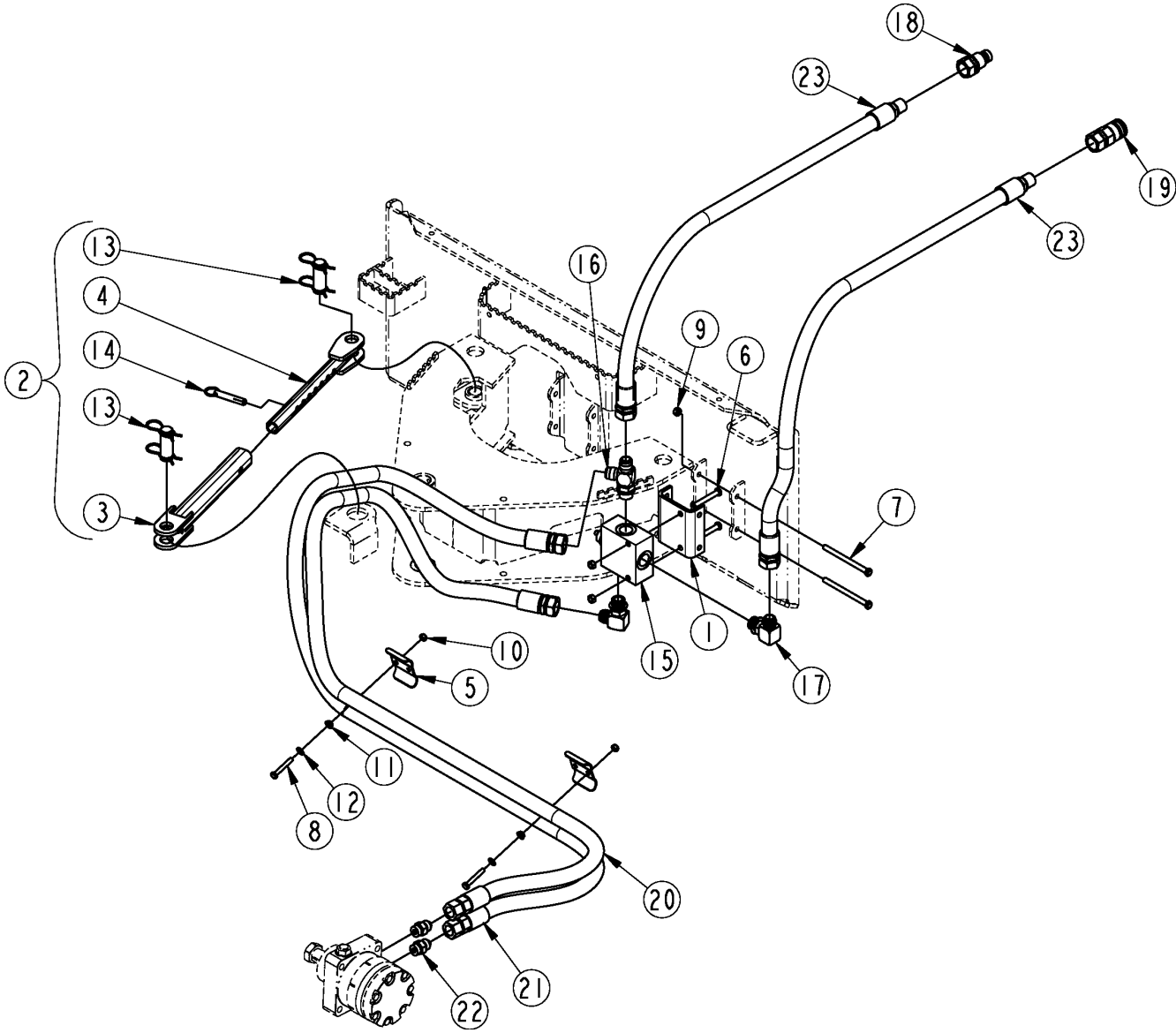
33319

Hydraulic Angle/Motor Plumbing Low/Medium Flow 3500 PSI**Applies to AP-AB72, AP-AB84**

Ref	Part No.	Part Description	Comments	Revision
	Dwg 33319	Drawing Image Number		
1.	502-068D	HYD HOSE CLAMP BRACKET		
2.	802-318C	HHCS 3/8-16X5 GR5		
3.	802-473C	HHCS 5/16-18X2 FTHD		
4.	803-013C	NUT LOCK 3/8-16 PLT		
5.	803-084C	NUT HEX NYLOCK 5/16-18 PLT		
6.	803-177C	NUT HEX FLG TP LK 5/16-18ZNYCR		
7.	804-036C	WASHER FLAT 5/16 SAE PLT		
8.	810-643C	VALVE, ANGLE BROOM CYL CONTROL		
9.	810-715C	VALVE 3/4 IN-LINE CHECK		
10.	810-734C	CYL 2X6X1.125 WELDED		
11.	811-063C	EL 3/4MJIC 3/4MORB		
12.	811-153C	OREL 1/16 3/4MJIC 3/4MORB		
13.	811-170C	AD 9/16MORB 9/16MJIC		
14.	811-408C	AD 1 1/16MORB 1 1/16MJIC		
15.	851-947C	CUP 1 1/16FORB MALE QUICK CPLR		
15.	811-744C	RPBY 851-947C	Obsolete	
16.	851-948C	CUP 1 1/16FORB FML QUICK CPLR		
16.	811-745C	RPBY 851-948C	Obsolete	
17.	841-109C	HH5/8R16S 063 1.06FJIC 1.06MOR		
18.	841-982C	HH5/8R16S 149 1.06MORB 7/8FJIC	AB72	
18.	841-312C	HH5/8R16S 155 1.06MORB 7/8FJIC	AB84	
19.	841-320C	AD 7/8MORB 7/8MJIC		
20.	841-983C	HH5/8R16S 081 7/8FJIC 1.06FJIC	AB72	
20.	841-344C	HH5/8R16S 087 7/8FJIC 1.06FJIC	AB84	
21.	841-547C	HH3/8R16 020 3/4FJIC 9/16FJIC		
22.	841-547C	HH3/8R16 020 3/4FJIC 9/16FJIC		
23.	841-548C	AD 1 1/16FJIC 1 1/16FJIC UNION		
24.	841-550C	EL 45 1 1/16MORB 1 1/16MJIC		
25.	990-296R	CORRUGATED LOOM, 3/8 ID		

Manual Angle/Motor Plumbing High Flow 3500 PSI

Applies to AP-AB72, AP-AB84



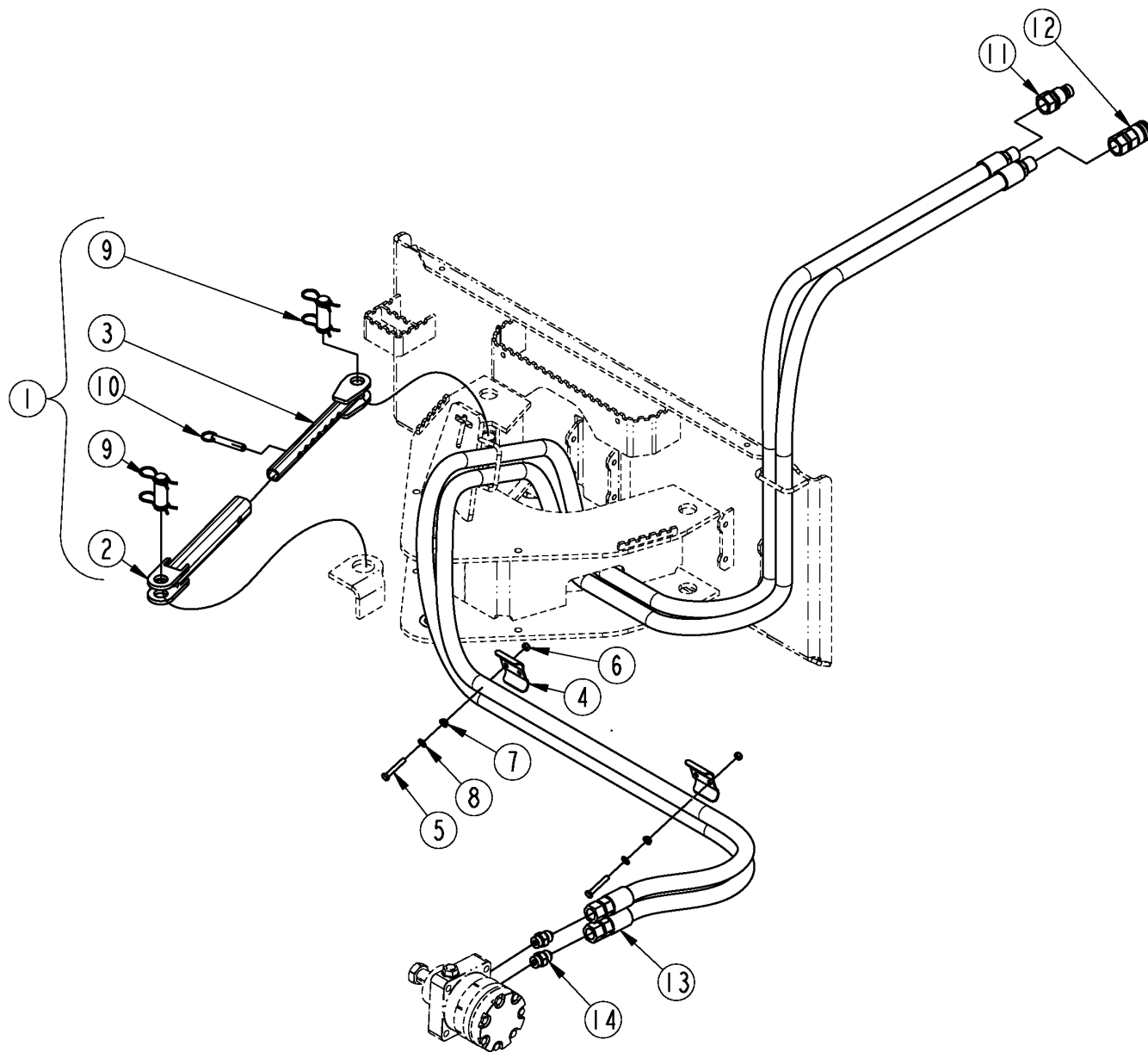
33321

Manual Angle/Motor Plumbing High Flow 3500 PSI**Applies to AP-AB72, AP-AB84**

Ref	Part No.	Part Description	Comments	Revision
	Dwg 33321	Drawing Image Number		
1.	323-008D	PFC MOUNT		
2.	323-102K	BROOM TELESCOPING ANGLE ADJ	S/N AP-1001206K+	
2.	890-637C	RATCHET JACK 16.25 - 22.25	S/N AP-1001205K-	
3.	323-103H	ANGLE ADJUSTER BASE END	S/N AP-1001206K+	
4.	323-104H	ANGLE ADJUSTER ROD END	S/N AP-1001206K+	
5.	502-068D	HYD HOSE CLAMP BRACKET		
6.	802-216C	HHCS 3/8-16X2 3/4 GR5		
7.	802-318C	HHCS 3/8-16X5 GR5		
8.	802-473C	HHCS 5/16-18X2 FTHD		
9.	803-013C	NUT LOCK 3/8-16 PLT		
10.	803-084C	NUT HEX NYLOCK 5/16-18 PLT		
11.	803-177C	NUT HEX FLG TP LK 5/16-18ZNYCR		
12.	804-036C	WASHER FLAT 5/16 SAE PLT		
13.	805-012C	PIN CLEVIS 1 X 2 1/8 USABLE LG	S/N AP-1001206K+	
14.	805-380C	PIN, 1/2 X 2 COTTERLESS HITCH	S/N AP-1001206K+	
15.	810-648C	VALVE, FLOW CONTROL		
16.	811-092C	TE1 1/16MJIC1 1/16MJIC1 1/16MO		
17.	811-411C	EL 1 1/16MJIC 1 1/16MORB		
18.	851-947C	CUP 1 1/16FORB MALE QUICK CPLR		
18.	811-744C	RPBY 851-947C	Obsolete	
19.	851-948C	CUP 1 1/16FORB FML QUICK CPLR		
19.	811-745C	RPBY 851-948C	Obsolete	
20.	841-984C	HH5/8R16S 094 1.06FJIC 7/8FJIC	AB72	
20.	841-313C	HH5/8R16S 100 1.06FJIC 7/8FJIC	AB84	
21.	841-984C	HH5/8R16S 094 1.06FJIC 7/8FJIC	AB72	
21.	841-313C	HH5/8R16S 100 1.06FJIC 7/8FJIC	AB84	
22.	841-320C	AD 7/8MORB 7/8MJIC		
23.	841-343C	HH5/8R16S 050 1.06FJIC 1.06MOR		

Manual Angle/Motor Plumbing Low/Medium Flow 3500 PSI

Applies to AP-AB72, AP-AB84



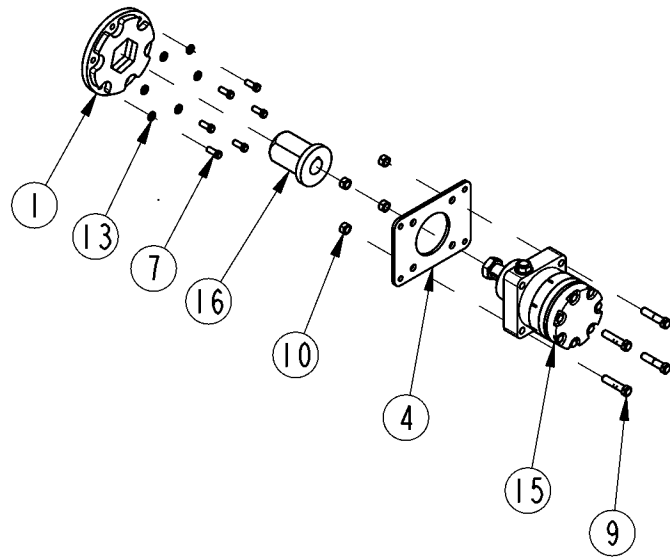
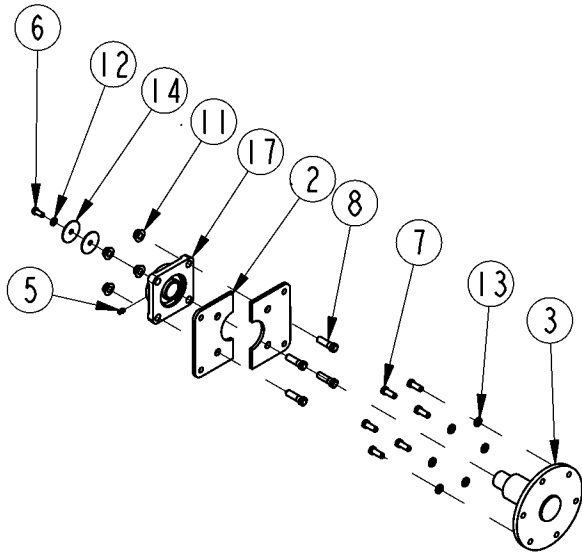
33322

Manual Angle/Motor Plumbing Low/Medium Flow 3500 PSI**Applies to AP-AB72, AP-AB84**

Ref	Part No.	Part Description	Comments	Revision
	Dwg 33322	Drawing Image Number		
1.	323-102K	BROOM TELESCOPING ANGLE ADJ	S/N AP-1001206K+	
1.	890-637C	RATCHET JACK 16.25 - 22.25	S/N AP-1001205K-	
2.	323-103H	ANGLE ADJUSTER BASE END	S/N AP-1001206K+	
3.	323-104H	ANGLE ADJUSTER ROD END	S/N AP-1001206K+	
4.	502-068D	HYD HOSE CLAMP BRACKET		
5.	802-473C	HHCS 5/16-18X2 FTHD		
6.	803-084C	NUT HEX NYLOCK 5/16-18 PLT		
7.	803-177C	NUT HEX FLG TP LK 5/16-18ZNYCR		
8.	804-036C	WASHER FLAT 5/16 SAE PLT		
9.	805-012C	PIN CLEVIS 1 X 2 1/8 USABLE LG	S/N AP-1001206K+	
10.	805-380C	PIN, 1/2 X 2 COTTERLESS HITCH	S/N AP-1001206K+	
11.	851-947C	CUP 1 1/16FORB MALE QUICK CPLR		
11.	811-744C	RPBY 851-947C	Obsolete	
12.	851-948C	CUP 1 1/16FORB FML QUICK CPLR		
12.	811-745C	RPBY 851-948C	Obsolete	
13.	841-982C	HH5/8R16S 149 1.06MORB 7/8FJIC	AB72	
13.	841-312C	HH5/8R16S 155 1.06MORB 7/8FJIC	AB84	
14.	841-320C	AD 7/8MORB 7/8MJIC		

Broom Motor Components 3500 PSI

Applies to AP-AB72, AP-AB84

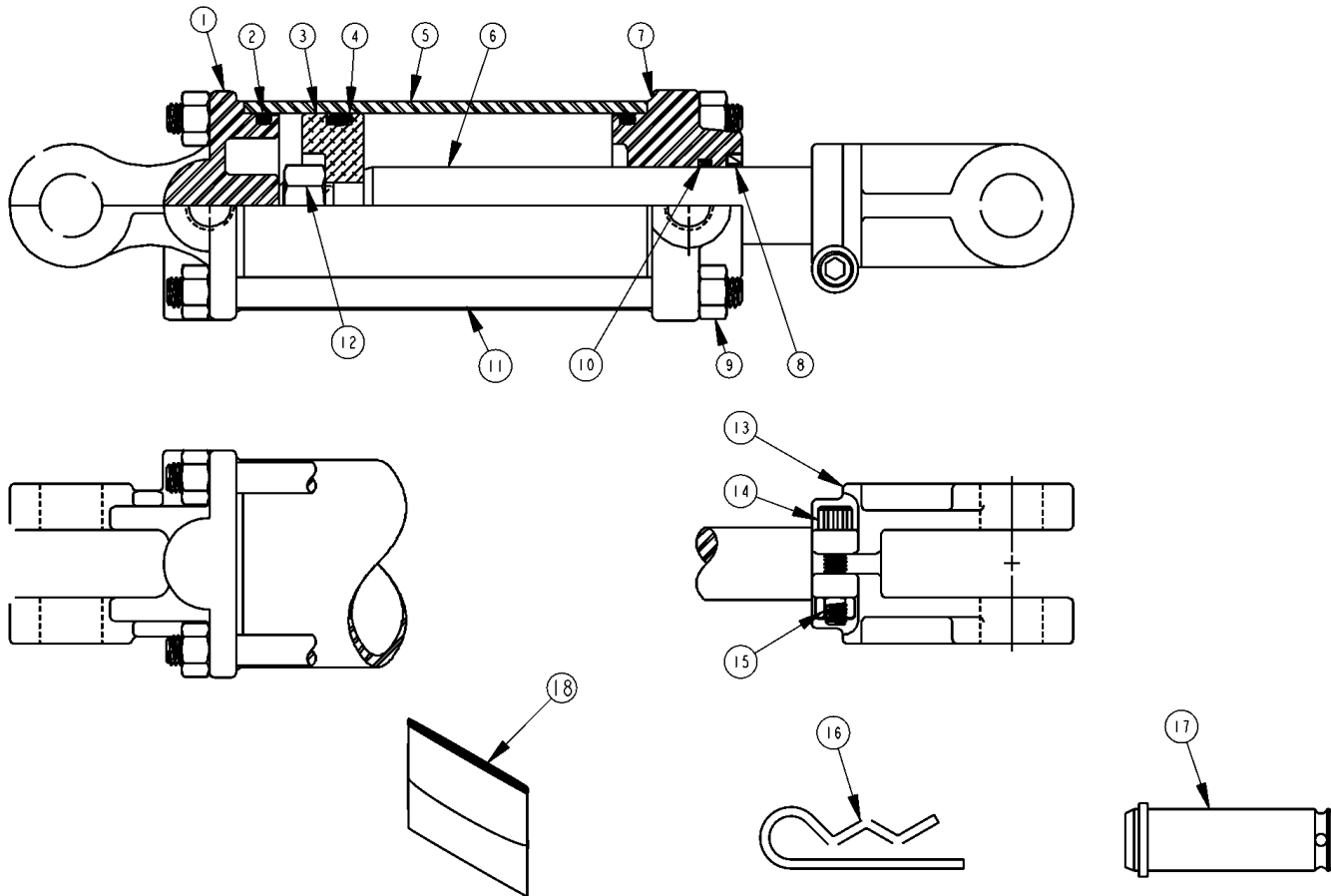


Broom Motor Components 3500 PSI**Applies to AP-AB72, AP-AB84**

Ref	Part No.	Part Description	Comments	Revision
	Dwg 33324	Drawing Image Number		
1.	323-017H	HEX DRIVE WELDMENT		
2.	323-036D	BEARING PLATE		
3.	323-053H	STUB SHAFT, BEARING - RE		
4.	323-064D	MOTOR MOUNT		
5.	800-001C	GREASE ZERK STRAIGHT 1/4-28		
6.	802-007C	HHCS 5/16-18X3/4 GR5		
7.	802-017C	HHCS 3/8-16X1 GR5		
8.	802-029C	HHCS 7/16-14X1 1/2 GR5		
9.	802-038C	HHCS 1/2-13X2 1/4 GR5		
10.	803-019C	NUT LOCK 1/2-13 PLT		
11.	803-229C	NUT HEX FLANGE LOC 7/16-14 PLT		
12.	804-009C	WASHER LOCK SPRING 5/16 PLT		
13.	804-013C	WASHER LOCK SPRING 3/8 PLT		
14.	804-233C	WASHER FENDER 5/16 X 1 3/4		
15.	850-253C	HYD MTR 23 CID W/KEY - RE	S/N 1019735K+	
15.	810-731C	HYD MTR 23 CID W/KEY - RE	S/N 1019734K-	
15.	850-254C	HYD MTR 18 CID W/KEY - RE	S/N 1019837K+	
15.	810-732C	RPBY 850-254C	S/N 1019836K- Obsolete	
16.	815-312C	HUB, HEX 2 1/2X1 1/4 TPRD BORE		
17.	822-243C	BRG 4 BOLT CAMLOCK 1.25 BORE		

Hydraulic Cylinder (810-384C) Cross

Applies to AP-AB72, AP-AB84



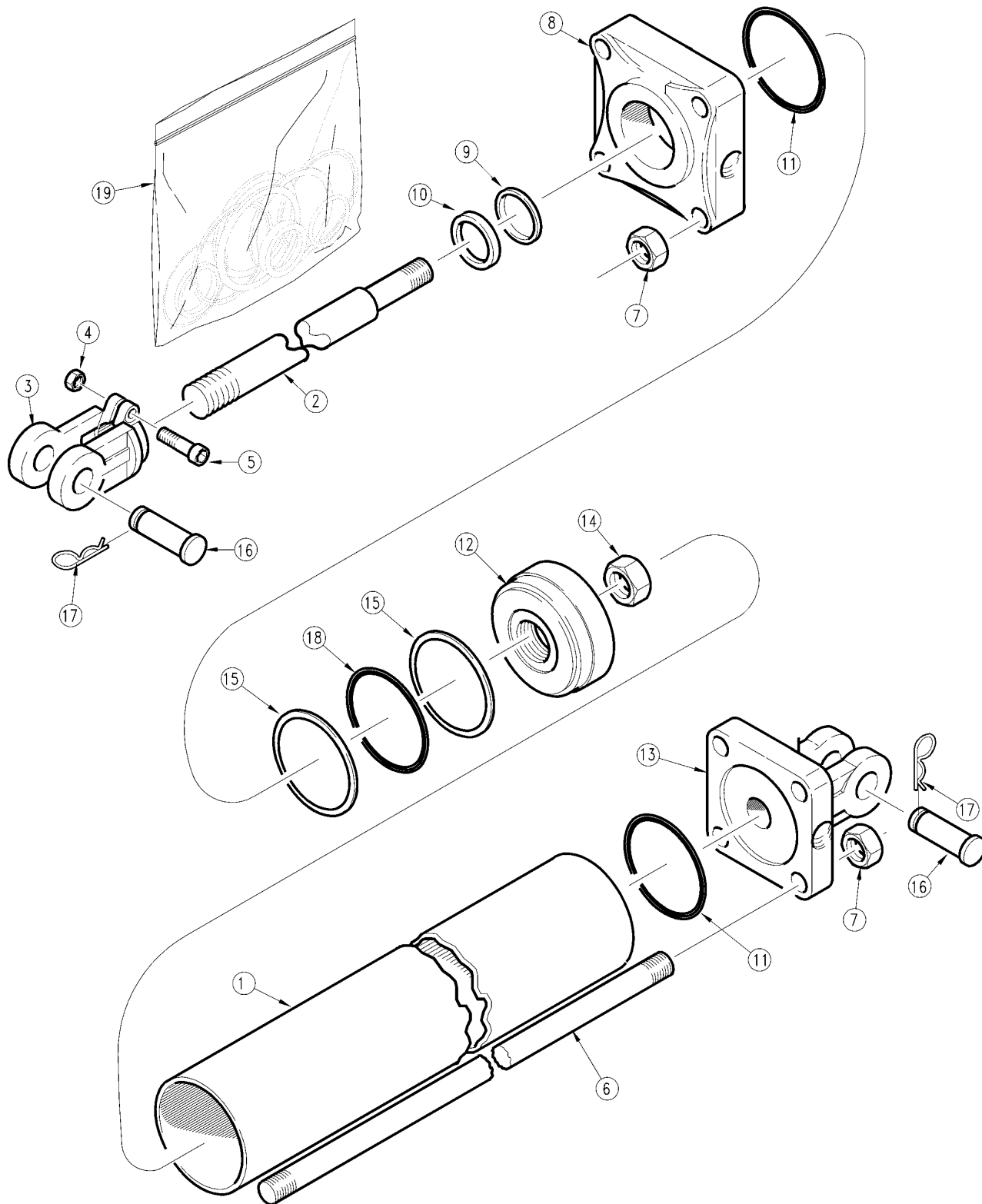
33918

Hydraulic Cylinder (810-384C) Cross**Applies to AP-AB72, AP-AB84**

Ref	Part No.	Part Description	Comments	Revision
	Dwg 33918 810-384C	Drawing Image Number CYL 3X6X1.25 ROD (TIE ROD) *		
1.	1D1205-8	CROSS, BASE CLEVIS		
2.	N/A	CROSS, O-RING	In Seal Kit Item #18	
3.	1D1401-300	CROSS PISTON 3 BORE CYLINDER		
4.	N/A	CROSS, BACK-UP	In Seal Kit Item #18	
5.	1D0007-850	CROSS, TUBE		
6.	1D0206-1075	CROSS, ROD		
7.	1D1157-17	CROSS HEAD 3 BORE CYLINDER		
8.	N/A	WIPER SEAL CROSS	In Seal Kit Item #18	
9.	2A0235-8	CROSS NUT, TIE ROD		
10.	N/A	CROSS U-CUP	In Seal Kit Item #18	
11.	2A0580-1100	CROSS, TIE ROD		
12.	2A0246-12	CROSS NUT, PISTON		
13.	1D1003-5	CROSS ROD CLEVIS		
14.	2A0079-616	CROSS SCREW, CAP		
15.	2A0235-6	CROSS NUT, CLEVIS & TIE ROD		
16.	805-032C	PIN HAIR COTTER .148 WIRE		
17.	1D1551-16275	CROSS CLEVIS PIN		
18.	810-009C	CYL SEAL KIT 3 (CROSS)		

Hydraulic Cylinder (810-384C) Midway

Applies to AP-AB72, AP-AB84



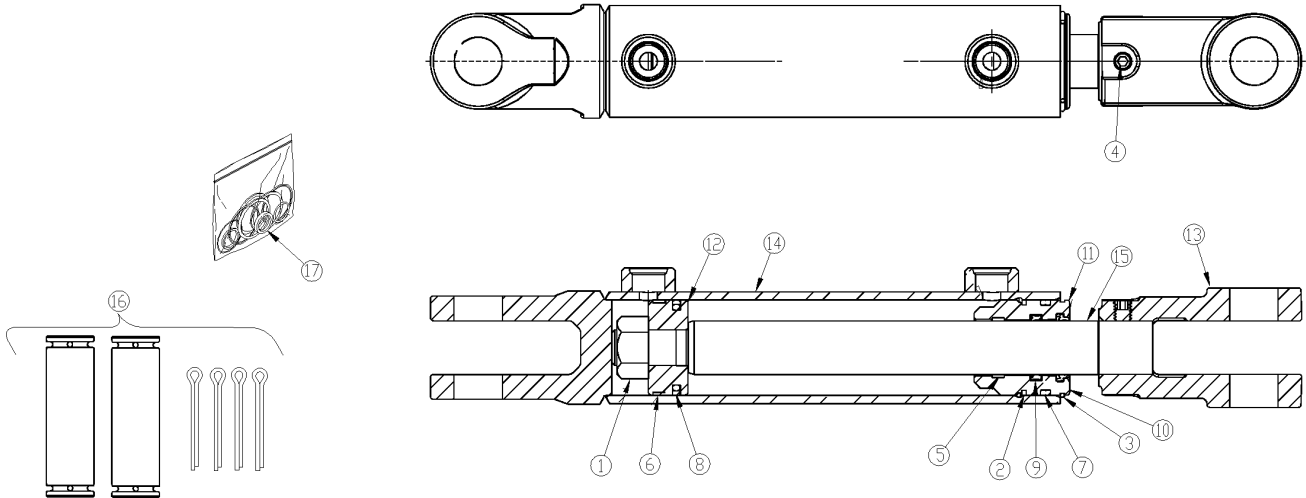
11717

Hydraulic Cylinder (810-384C) Midway**Applies to AP-AB72, AP-AB84**

Ref	Part No.	Part Description	Comments	Revision
	Dwg 11717	Drawing Image Number		
	810-384C	CYL 3X6X1.25 ROD (TIE ROD)		
1.	5M4110	MW TUBE 3 X 6 CYLINDER		
2.	2M4410	MW ROD 1-1/4 DIA X 6 STROKE		
3.	1M6010-ADI	MIDWAY HARDENED CLEVIS ADI		
4.	803-234C	NUT HEX 3/8-16 PLAIN		
5.	802-023C	HHCS 3/8-16X1 3/4 GR5		
6.	7M4310	MW TIE ROD 3 X 6 CYLINDER		
7.	2A0014	MW TIE ROD NUT		
8.	3R1412	MW HEAD 3X1-1/4 ROD PT.E		
9.		MW O-RING	Only found in seal kit #19	
10.		MW WIPER	Only found in seal kit #19	
11.		MW O-RING	Only found in seal kit #19	
12.	4M4108	MW PISTON		
13.	6R1162-ADI	MIDWAY ADI BASE		
14.	2A0024	MW PISTON NUT 1-14		
15.		MW BACK UP	Only found in seal kit #19	
16.	805-124C	PIN CLEVIS 1 X 3 11/16 GR5 PLT		
17.	2A0132	MW PIN CLIP		
18.		MW O-RING	Only found in seal kit #19	
19.	810-015C	CYL SEAL KIT 3 X 7 MW 3A4104		

Hydraulic Cylinder (810-734C) Monarch

Applies to AP-AB72, AP-AB84



33401

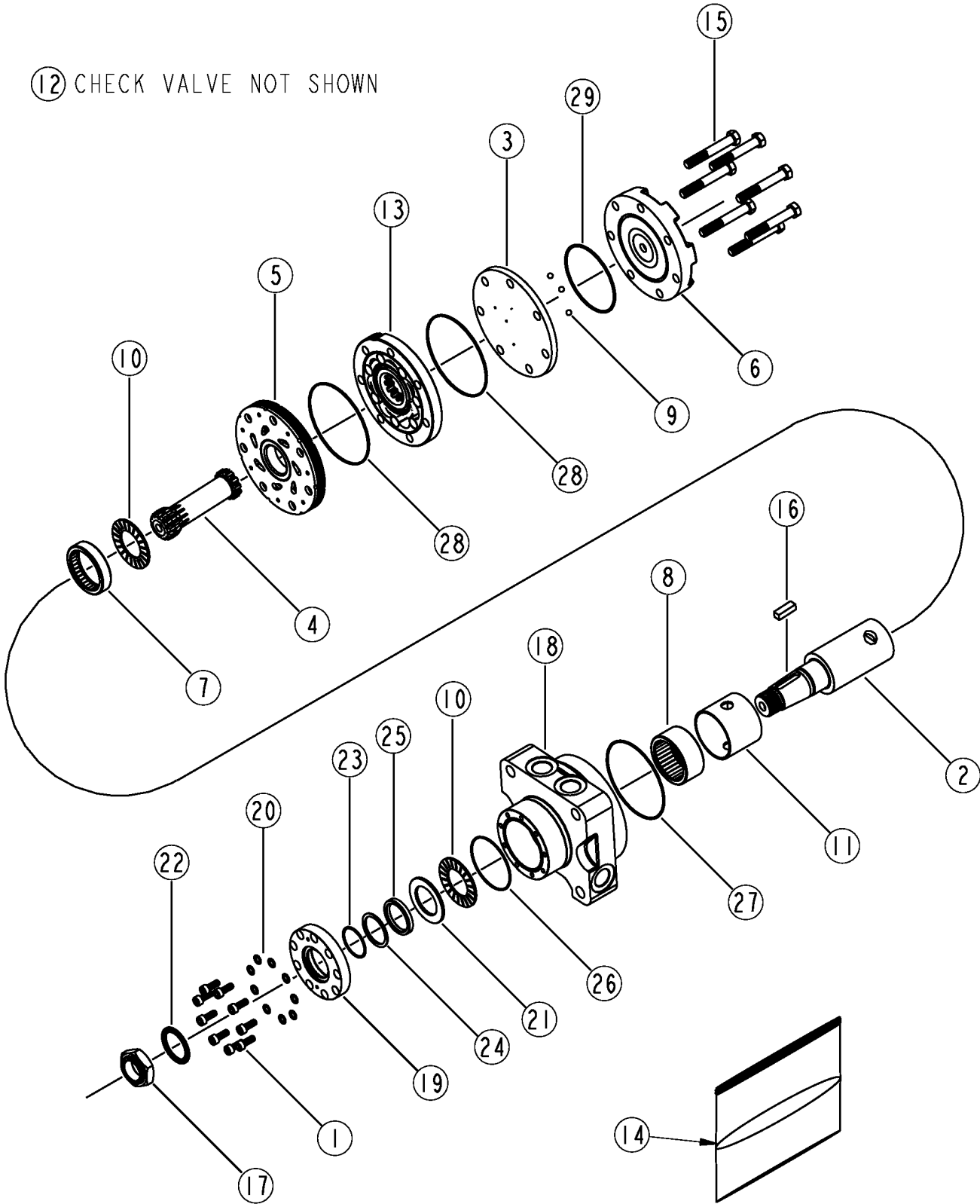
Hydraulic Cylinder (810-734C) Monarch**Applies to AP-AB72, AP-AB84**

Ref	Part No.	Part Description	Comments	Revision
	Dwg 33401 810-734C	Drawing Image Number CYL 2X6X1.125 WELDED *		
1.	130556	MON PISTON NUT		
2.	138006	MON RETAINING RING INT 2.00		
3.	138007	MON RETAINING RING EXT 2.00		
4.	148000	MON SET SCREW 3/8INC ONE PIECE		
5.	N/A	MON WEAR RING 1.25-1.13-0.250		
6.	N/A	MON WEAR RING 2.00-1.88-0.260		
7.	N/A	MON SEAL ZURCON U-CUP RU9 1.13		
8.	N/A	MON SEAL ZURCON WYNSEAL 2.00		
9.	N/A	MON SEAL DUAL 2.00-.208		
10.	N/A	MON SEAL WIPER 1.13 WNUC TSS		
11.	258753	MON CYL HEAD 2.00-1.13-WET-TSS		
12.	258851	MON PISTON 2.00-.75-TSS-ISO-WR		
13.	492650	LION ROD CLEVIS 1 1/8-12UNF		
14.	741798	MON TUBE WELDT 2.00-06.00-W		
15.	741800	MON ROD CYL 1.12-06-0.75-1.12		
16.	134952	LION PIN CLIP-CLEVIS		
17.	649190	RPBY 850-310C	Obsolete	

Hydraulic Motor (850-253C) White

Applies to AP-AB72, AP-AB84

⑫ CHECK VALVE NOT SHOWN



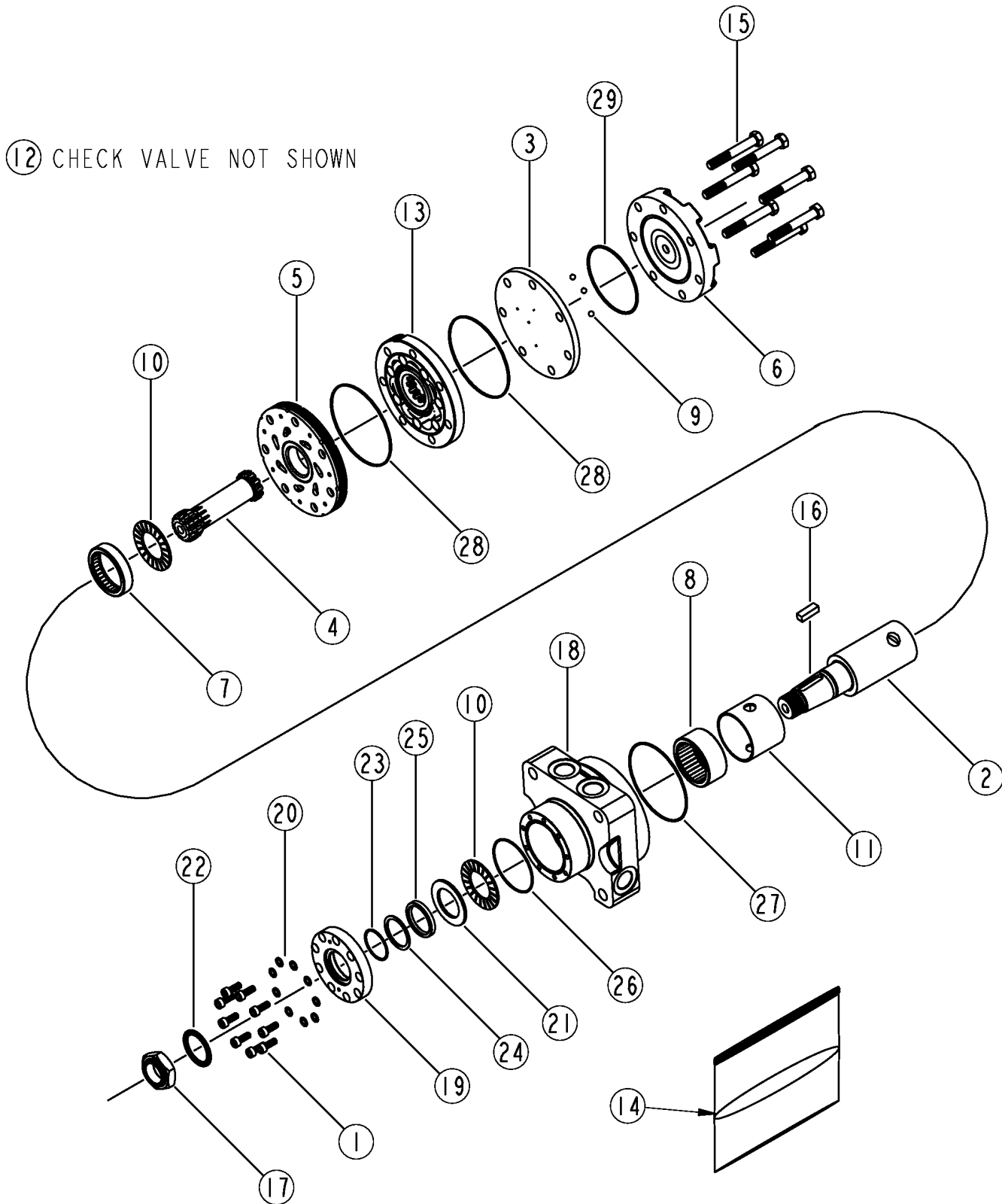
39920

Hydraulic Motor (850-253C) White**Applies to AP-AB72, AP-AB84**

Ref	Part No.	Part Description	Comments	Revision
	Dwg 39920 850-253C	Image No. HYD MTR 23 CID W/KEY - RE *		
1.	157018110	WH SEAL CARRIER BOLT (9)		
2.	500011300	WH 1-1/4" TAPERED SHAFT		
3.	500012001	WH BALANCE PLATE		
4.	500014008	WH DRIVE LINK		
5.	500015006	WH FORWARD MANIFOLD		
6.	500016001	WH ENDCOVER		
7.	500018002	WH REAR HOUSING BRG		
8.	500018003	WH FRONT HOUSING BRG		
9.	500018048	WH STEEL BALLS (3)		
10.	500018059	WH REAR THRUST BRG		
11.	500018305	WH BEARING SPACER		
12.	500018316	WHITE CHECK VALVE	Not shown	
13.	500307005	WH ROTOR KIT		
14.	500444506	WHITE SEAL KIT		
15.	500445024	WH BOLT SET KIT		
16.	500449101	WH KEY KIT		
17.	500449303	WHITE SHAFT LOCK NUT		
18.	505013623	WHITE HOUSING		
19.	505017001	WH SEAL CARRIER		
20.	530018100	WH SEAL CARRIER BOLT WASHER(9)		
21.	530018102	WHITE THRUST WASHER		
22.	N/A	WH DUST SEAL	Available only in Seal Kit Item #14	
23.	N/A	BACKUP SHIM	Available only in Seal Kit Item #14	
24.	N/A	BACKUP SEAL	Available only in Seal Kit Item #14	
25.	N/A	SHAFT SEAL	Available only in Seal Kit Item #14	
26.	N/A	SEAL CARRIER SEAL	Available only in Seal Kit Item #14	
27.	N/A	HOUSING SEAL	Available only in Seal Kit Item #14	
28.	N/A	BODY SEAL	Available only in Seal Kit Item #14	
29.	N/A	ENDCOVER SEAL	Available only in Seal Kit Item #14	

Hydraulic Motor (850-254C) White

Applies to AP-AB72, AP-AB84



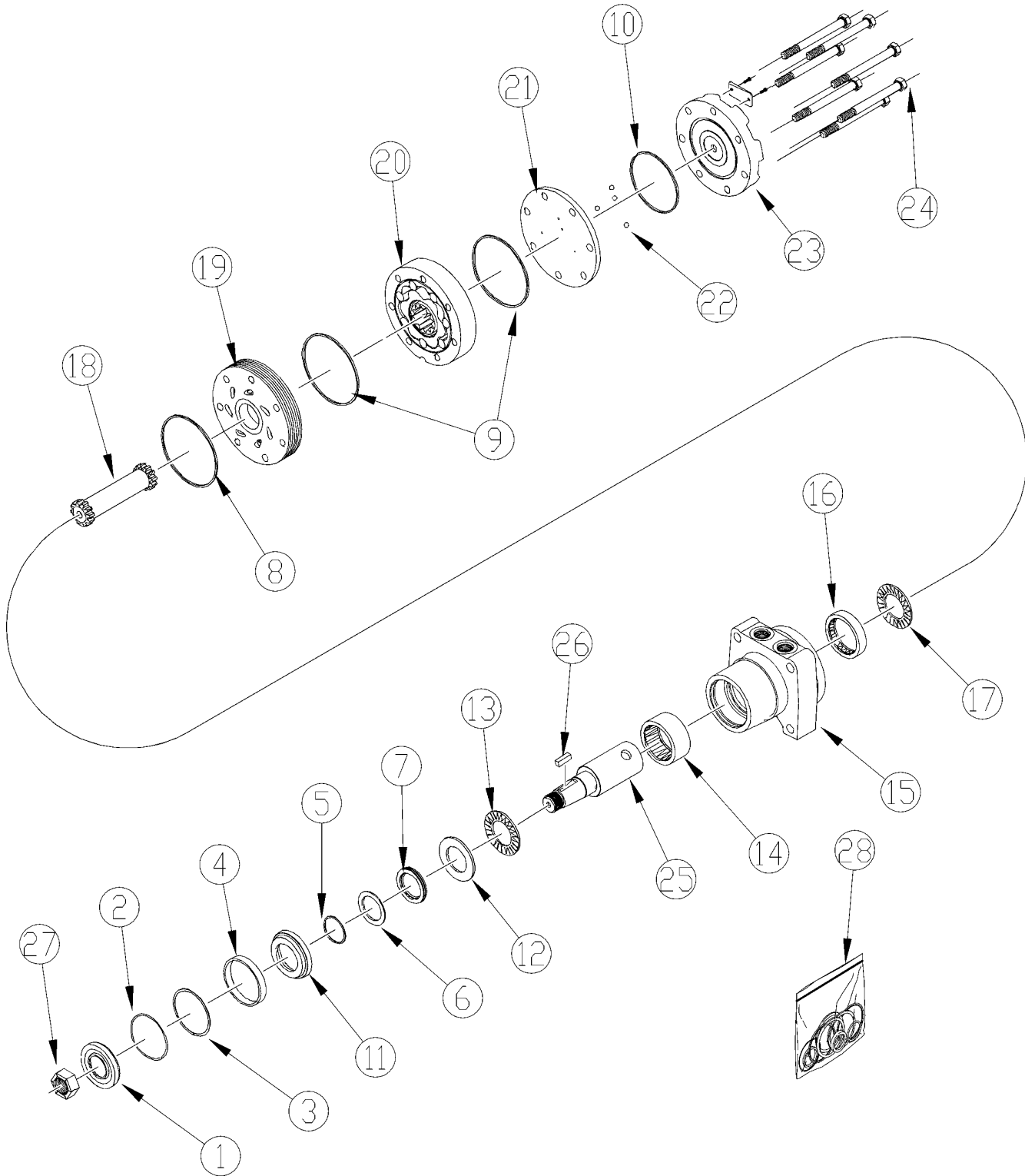
39921

Hydraulic Motor (850-254C) White**Applies to AP-AB72, AP-AB84**

Ref	Part No.	Part Description	Comments	Revision
	Dwg 39921 850-254C	Image No. HYD MTR 18 CID W/KEY - RE *		
1.	157018110	WH SEAL CARRIER BOLT (9)		
2.	500011300	WH 1-1/4" TAPERED SHAFT		
3.	500012001	WH BALANCE PLATE		
4.	500014007	WH DRIVE LINK		
5.	500015006	WH FORWARD MANIFOLD		
6.	500016001	WH ENDCOVER		
7.	500018002	WH REAR HOUSING BRG		
8.	500018003	WH FRONT HOUSING BRG		
9.	500018048	WH STEEL BALLS (3)		
10.	500018059	WH REAR THRUST BRG		
11.	500018305	WH BEARING SPACER		
12.	500018316	WHITE CHECK VALVE	Not shown	
13.	500307005	WH ROTOR KIT		
14.	500444506	WHITE SEAL KIT		
15.	500445018	WH BOLTS (7)		
16.	500449101	WH KEY KIT		
17.	500449303	WHITE SHAFT LOCK NUT		
18.	505013623	WHITE HOUSING		
19.	505017001	WH SEAL CARRIER		
20.	530018100	WH SEAL CARRIER BOLT WASHER(9)		
21.	530018102	WHITE THRUST WASHER		
22.	N/A	WH DUST SEAL	Available only in Seal Kit Item #14	
23.	N/A	BACKUP SHIM	Available only in Seal Kit Item #14	
24.	N/A	BACKUP SEAL	Available only in Seal Kit Item #14	
25.	N/A	SHAFT SEAL	Available only in Seal Kit Item #14	
26.	N/A	SEAL CARRIER SEAL	Available only in Seal Kit Item #14	
27.	N/A	HOUSING SEAL	Available only in Seal Kit Item #14	
28.	N/A	BODY SEAL	Available only in Seal Kit Item #14	
29.	N/A	ENDCOVER SEAL	Available only in Seal Kit Item #14	

Hydraulic Motor 18 Cubic Inch (810-732C) 3500 PSI

Applies to AP-AB72, AP-AB84



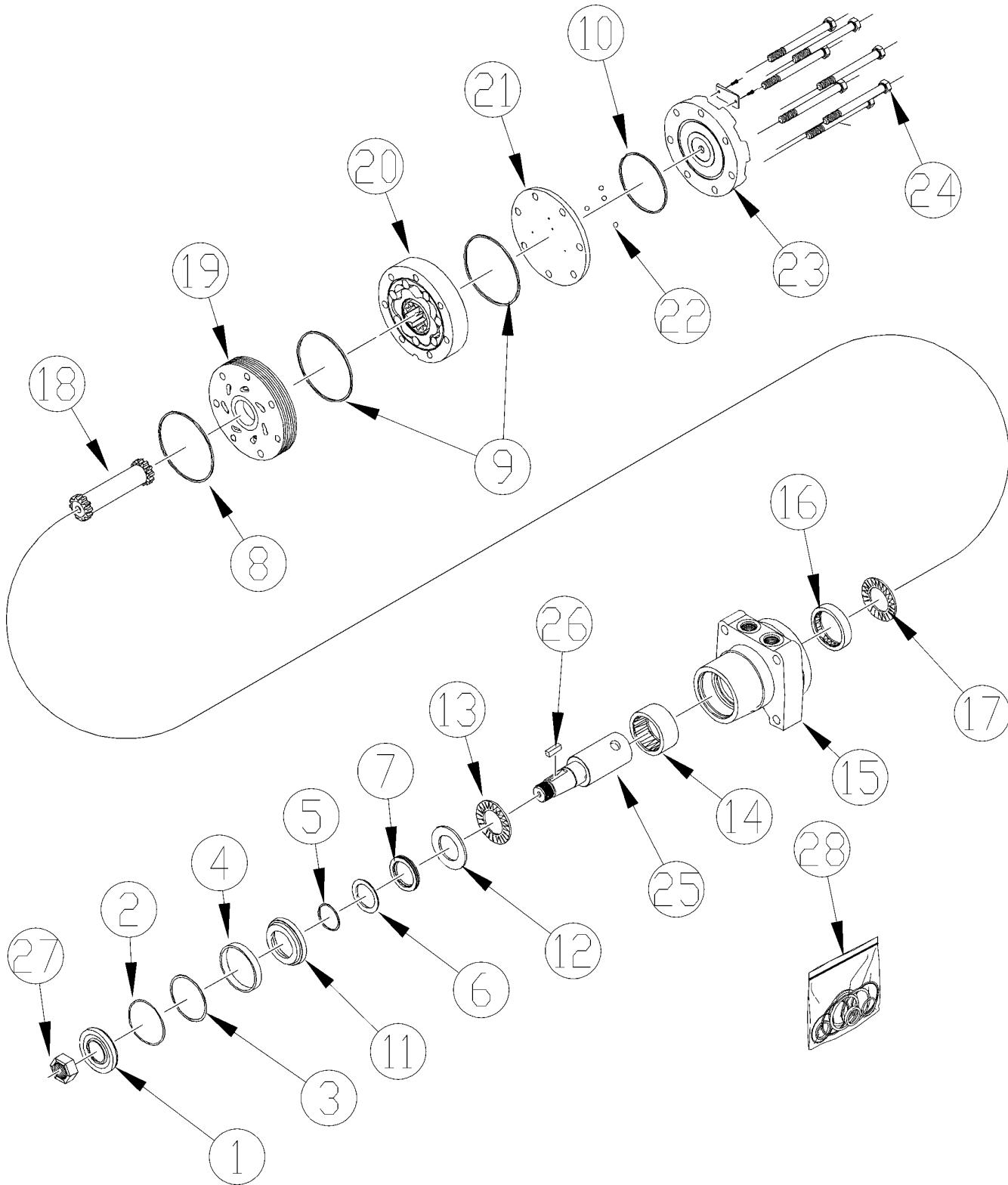
35510

Hydraulic Motor 18 Cubic Inch (810-732C) 3500 PSI**Applies to AP-AB72, AP-AB84**

Ref	Part No.	Part Description	Comments	Revision
	Dwg 35510 810-732C	Drawing Image Number RPBY 850-254C *	Obsolete	
1.	N/A	WH DUST SEAL	Found in Item #28	
2.	N/A	WIRE RING	Found in Item #28	
3.	N/A	METAL BACKUP SHIM	Found in Item #28	
4.	N/A	HIGH PRESSURE SHIM	Found in Item #28	
5.	N/A	METAL BACKUP SHIM	Found in Item #28	
6.	N/A	POLYAMIDE SEAL	Found in Item #28	
7.	N/A	SHAFT SEAL	Found in Item #28	
8.	N/A	REAR HOUSING SEAL	Found in Item #28	
9.	N/A	BODY SEAL	Found in Item #28	
10.	N/A	END COVER SEAL	Found in Item #28	
11.	N/A	SEAL CARRIER	Found in Item #28	
12.	N/A	THRUST WASHER	Found in Item #28	
13.	500018252	WH FRONT THRUST BRG		
14.	500018003	WH FRONT HOUSING BRG		
15.	500130723	WH WHEEL MOUNT W/7/8" O-RING	Includes Items # 14 & 16	
16.	500018002	WH REAR HOUSING BRG		
17.	500018059	WH REAR THRUST BRG		
18.	500014007	WH DRIVE LINK		
19.	500015006	WH FORWARD MANIFOLD		
20.	500307005	WH ROTOR KIT		
21.	500012001	WH BALANCE PLATE		
22.	500018048	WH STEEL BALLS (3)		
23.	500016001	WH ENDCOVER		
24.	500445018	WH BOLTS (7)		
25.	500011300	WH 1-1/4" TAPERED SHAFT		
26.	500449101	WH KEY KIT		
27.	300339303P	WHITE NUT KIT		
28.	500444001	WH SEAL KIT		

Hydraulic Motor 23 Cubic Inch (810-731C) 3500 PSI

Applies to AP-AB72, AP-AB84



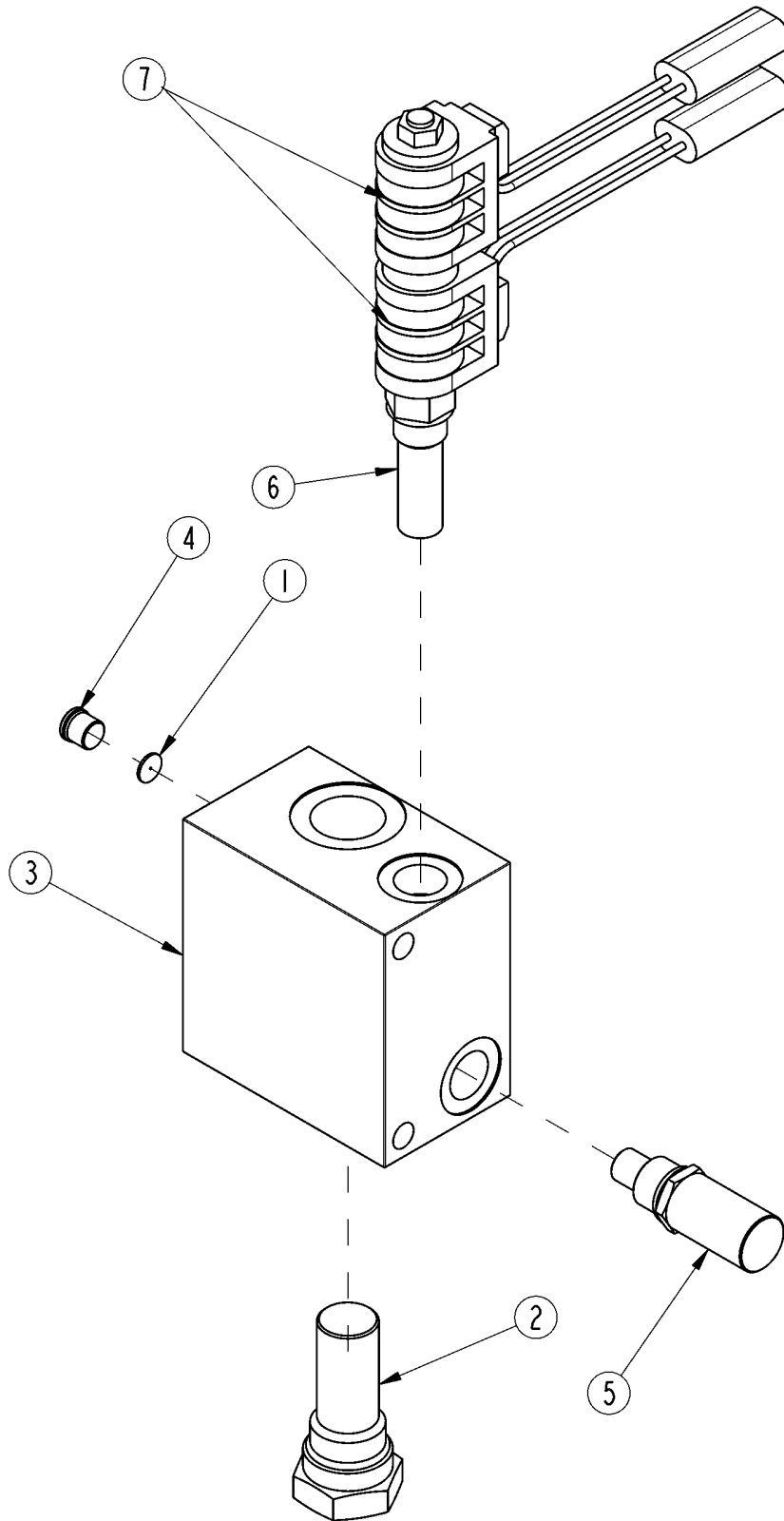
35509

Hydraulic Motor 23 Cubic Inch (810-731C) 3500 PSI**Applies to AP-AB72, AP-AB84**

Ref	Part No.	Part Description	Comments	Revision
	Dwg 35509 810-731C	Drawing Image Number HYD MTR 23 CID W/KEY - RE *		
1.	N/A	WH DUST SEAL	Found in Item #28	
2.	N/A	WIRE RING	Found in Item #28	
3.	N/A	METAL BACKUP SHIM	Found in Item #28	
4.	N/A	HIGH PRESSURE SEAL	Found in Item #28	
5.	N/A	METAL BACKUP SHIM	Found in Item #28	
6.	N/A	POLYAMIDE SEAL	Found in Item #28	
7.	N/A	SHAFT SEAL	Found in Item #28	
8.	N/A	REAR HOUSING SEAL	Found in Item #28	
9.	N/A	BODY SEAL	Found in Item #28	
10.	N/A	END COVER SEAL	Found in Item #28	
11.	N/A	SEAL CARRIER	Found in Item #28	
12.	N/A	THRUST WASHER	Found in Item #28	
13.	500018252	WH FRONT THRUST BRG		
14.	500018003	WH FRONT HOUSING BRG		
15.	500130723	WH WHEEL MOUNT W/7/8" O-RING	Includes Items # 14 & 16	
16.	500018002	WH REAR HOUSING BRG		
17.	500018059	WH REAR THRUST BRG		
18.	500014008	WH DRIVE LINK		
19.	500015006	WH FORWARD MANIFOLD		
20.	500307005	WH ROTOR KIT		
21.	500012001	WH BALANCE PLATE		
22.	500018048	WH STEEL BALLS (3)		
23.	500016001	WH ENDCOVER		
24.	500445024	WH BOLT SET KIT		
25.	500011300	WH 1-1/4" TAPERED SHAFT		
26.	500449101	WH KEY KIT		
27.	300339303P	WHITE NUT KIT		
28.	500444001	WH SEAL KIT		

Hydraulic Valve Cylinder Control (810-643C)

Applies to AP-AB72, AP-AB84



27552

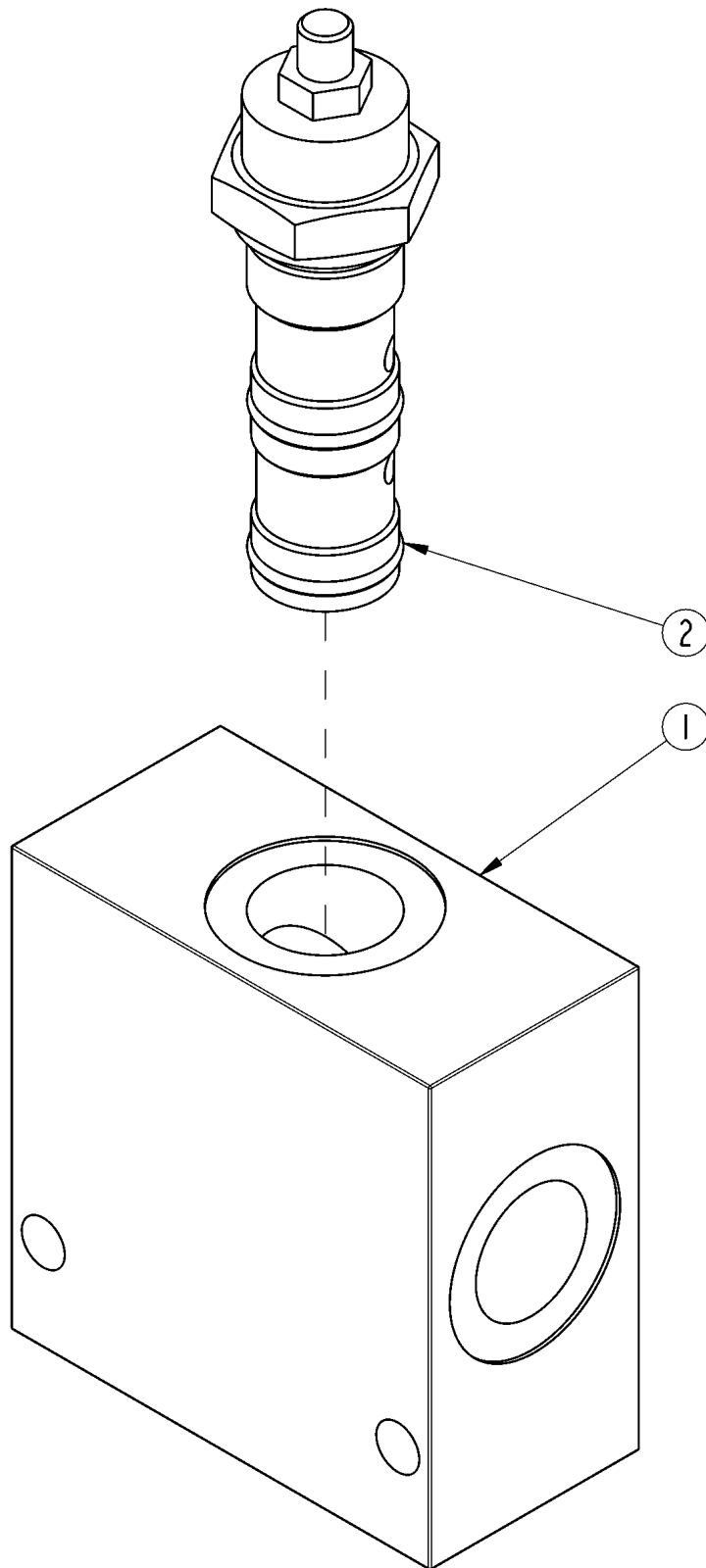
Hydraulic Valve Cylinder Control (810-643C)

Applies to AP-AB72, AP-AB84

Ref	Part No.	Part Description	Comments	Revision
	Dwg 27552 810-643C	Drawing Image Number VALVE, ANGLE BROOM CYL CONTROL *		
1.	61010123	DELTA ORIFICE PLUG		
2.	88400016	DELTA PRESSURE COMPENSATOR		
3.	30103067	DELTA MANIFOLD		
4.	61010016	DELTA PLUG, #4 SAE, HEX SOC		
5.	86020630	DELTA RELIEF VALVE		
6.	86020379	DELTA 4W3P SOLENOID VALVE		
7.	38400023	DELTA 12VDC COIL		

Hydraulic Valve Flow Control (810-648C)

Applies to AP-AB72, AP-AB84



27574

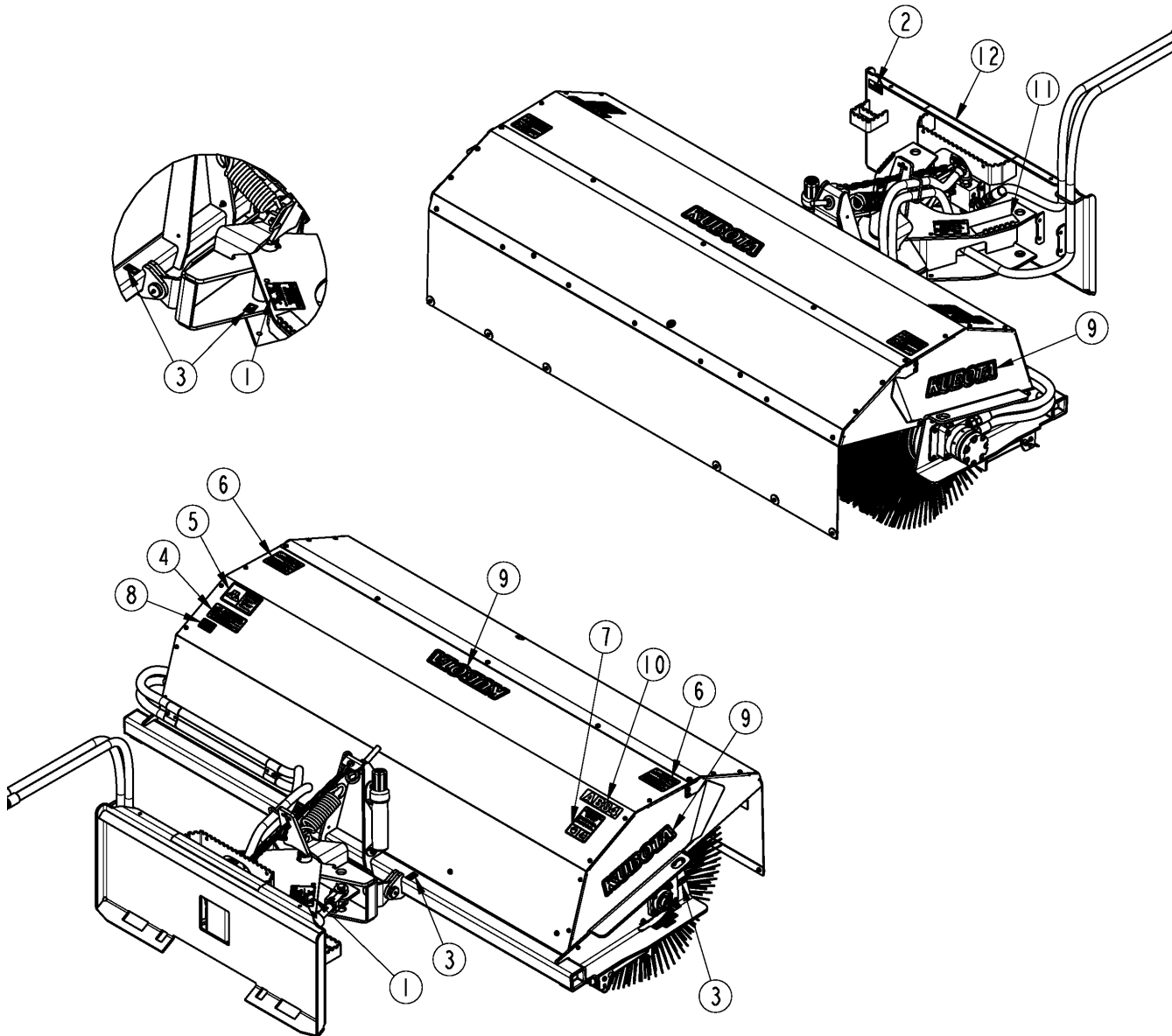
Hydraulic Valve Flow Control (810-648C)

Applies to AP-AB72, AP-AB84

Ref	Part No.	Part Description	Comments	Revision
	Dwg 27552 810-648C	Drawing Image Number VALVE, FLOW CONTROL *		
1.	30102576	DELTA VALVE BODY		
2.	87410226	DELTA PRIORITY FLOW CONTROL		

Decal Placement

Applies to AP-AB72, AP-AB84



37695

Decal Placement**Applies to AP-AB72, AP-AB84**

Ref	Part No.	Part Description	Comments	Revision
	Dwg 37695	Drawing Image Number		
1.	818-045C	DECAL WARNING PINCH PT/CRUSH		
2.	818-190C	DECAL FLAG		
3.	818-298C	DECAL GREASE 25HRS BLACK/WHITE		
4.	838-094C	DECAL WARNING HYD PRESS LONG		
5.	838-293C	DECAL WARNING READ MANUAL		
6.	848-372C	DECAL WARNING FLYING OBJ/ENTNG		
7.	848-392C	DECAL WARNING EYES & BREATHING		
8.	858-235C	DECAL CAUTION MACHINE DAMAGE		
9.	858-399C	DECAL KUBOTA 15"		
10.	858-464C	DECAL AB72 WHITE	AB72	
10.	858-465C	DECAL AB84 WHITE	AB84	
11.	990-211R	3M CONFORM. ANTI-SLIP 2" WIDE	7" Long	
12.	990-211R	3M CONFORM. ANTI-SLIP 2" WIDE	18" Long	

Kubota Touch-up Paints

Applies to AP-AB72, AP-AB84

No diagram associated with this Parts List

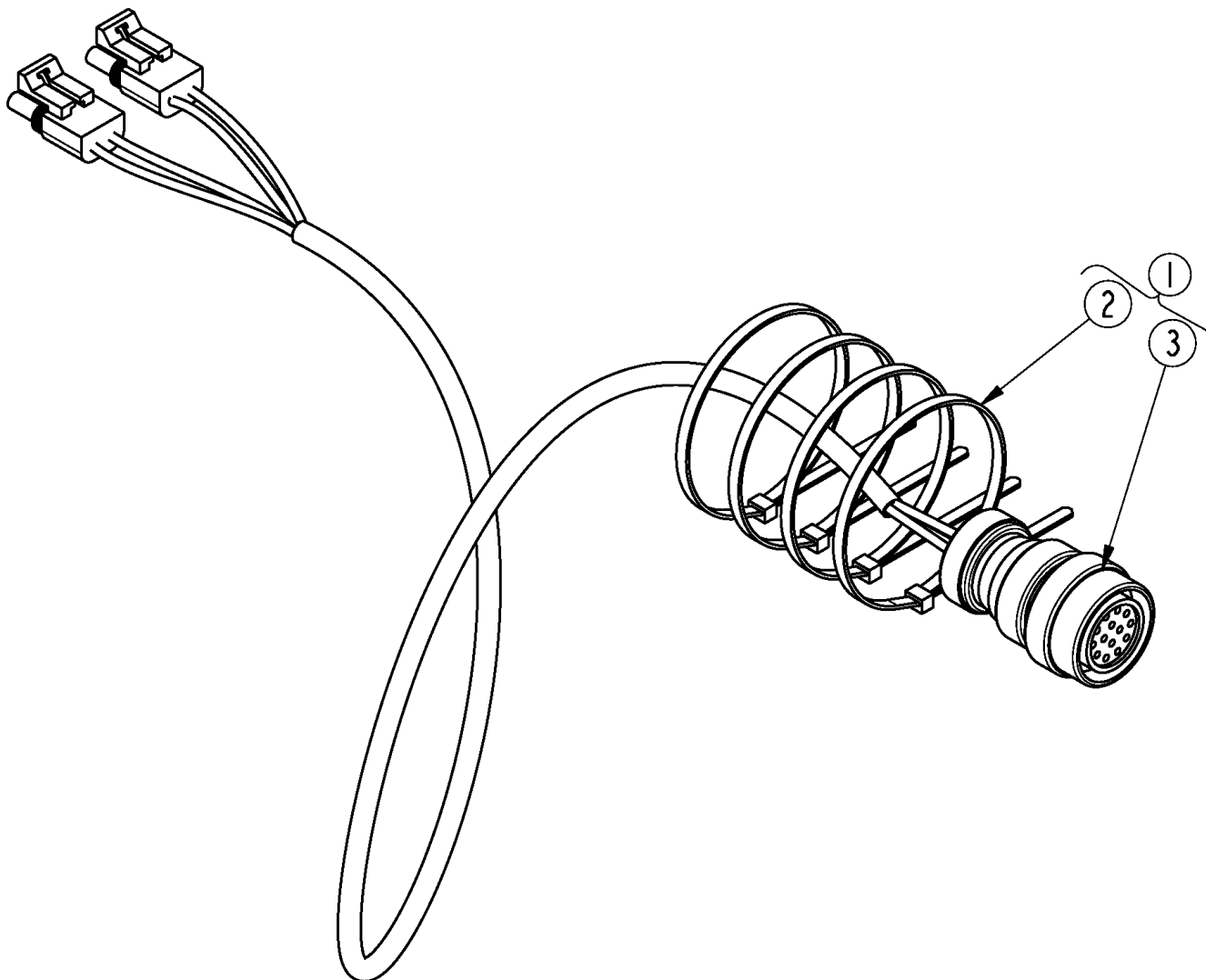
Kubota Touch-up Paints

Applies to AP-AB72, AP-AB84

Ref	Part No.	Part Description	Comments	Revision
1.	821-070C	GLOSS BLACK SPRAY CAN	All Products	
2.	821-070CTU	GLOSS BLACK TOUCH-UP 5OZ		
3.	821-070CQT	GLOSS BLACK QUART		
4.	821-070CGL	GLOSS BLACK GALLON		

Deutsch HD30 14 Pin Plug 73 in. Lg.

Applies to AP-AB72, AP-AB84



37133

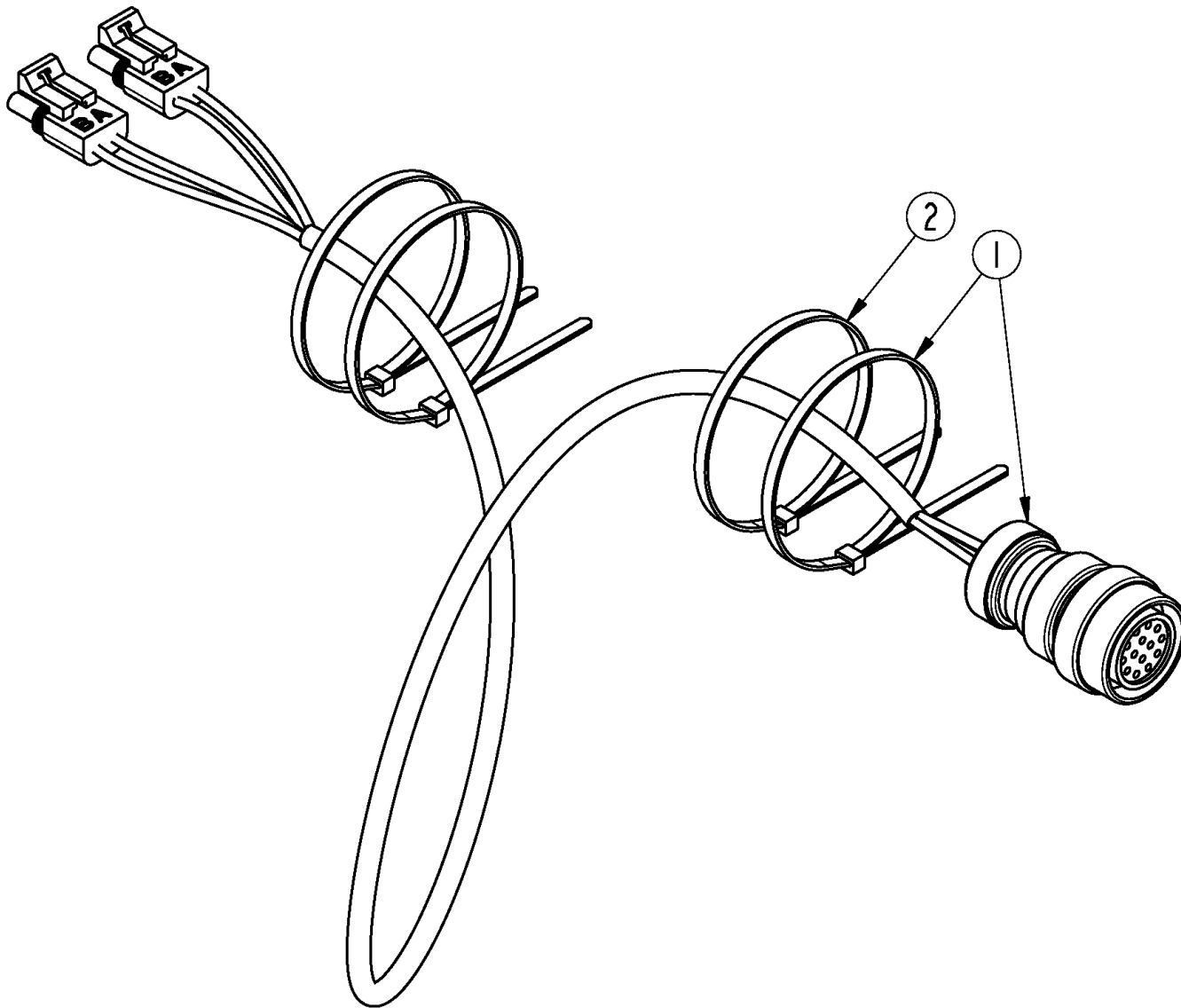
Deutsch HD30 14 Pin Plug 73 in. Lg.

Applies to AP-AB72, AP-AB84

Ref	Part No.	Part Description	Comments	Revision
	Dwg 37133	Drawing Image Number		
1.	323-094A	DEUTSCH HD30 14 PIN PLUG 73"		
2.	800-060C	CABLE TIE .19X14.25 3DIA 50LB		
3.	823-384C	DEUTSCH HD30 14 PIN PLUG 73"		

Deutsch HD3014 Pin Plug 10 ft. Lg

Applies to AP-AB72, AP-AB84



37134

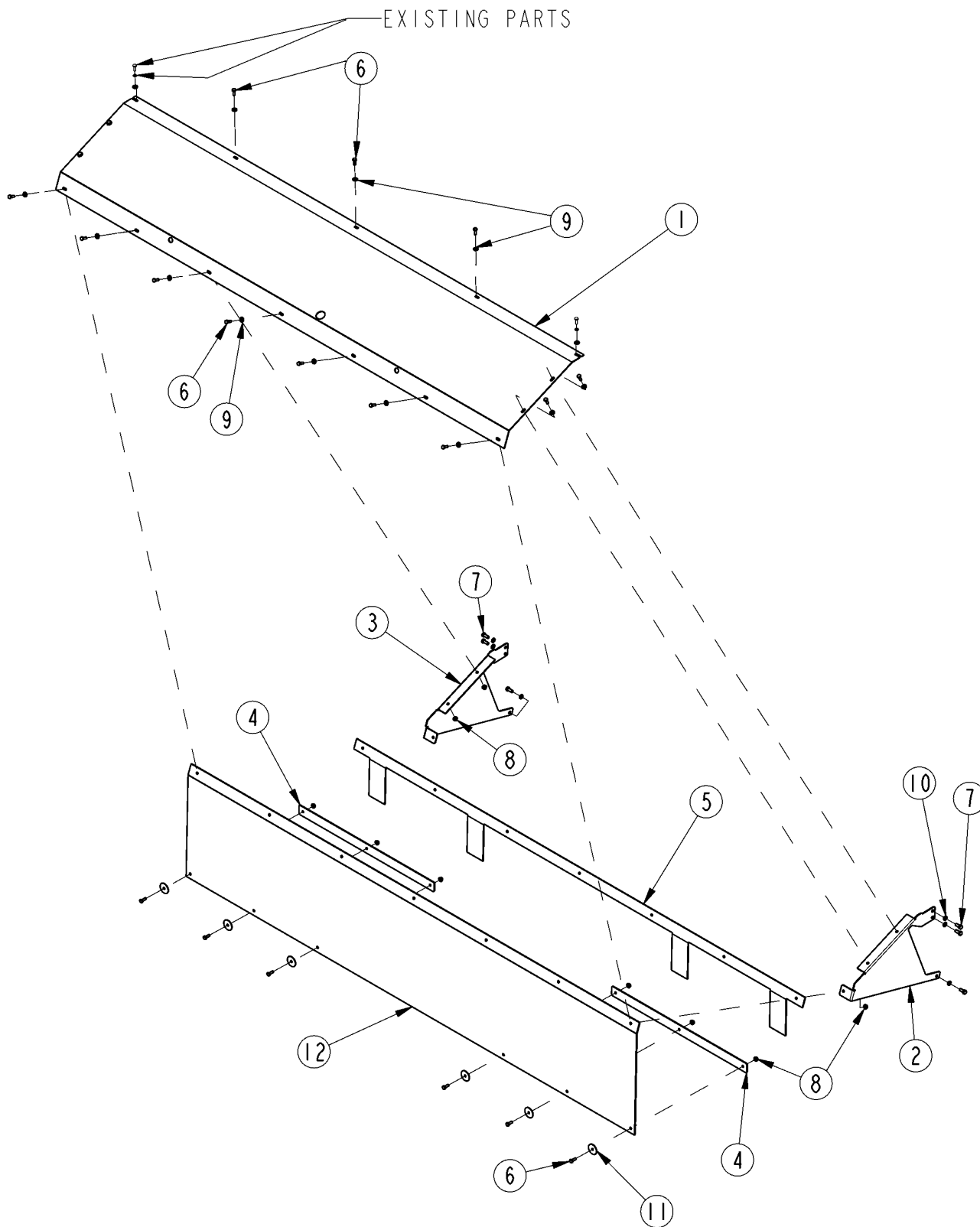
Deutsch HD3014 Pin Plug 10 ft. Lg

Applies to AP-AB72, AP-AB84

Ref	Part No.	Part Description	Comments	Revision
	Dwg 37134	Drawing Image Number		
1.	323-095A	DEUTSCH HD30 14 PIN PLUG 10'		
2.	800-060C	CABLE TIE .19X14.25 3DIA 50LB		
3.	823-303C	DEUTSCH HD30 14 PIN PLUG 10'		

Dust Deflector

Applies to AP-AB72, AP-AB84



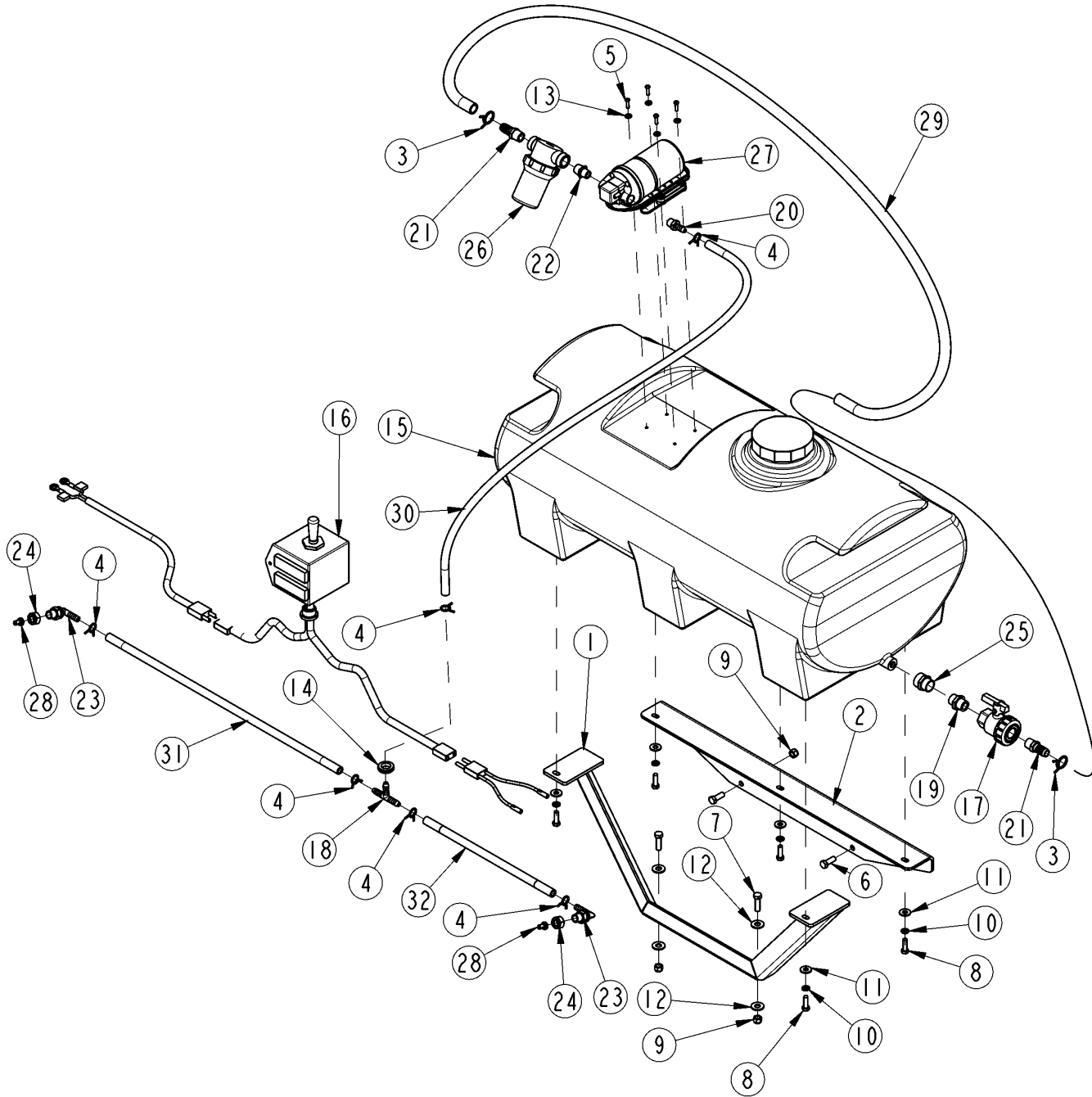
26932

Dust Deflector**Applies to AP-AB72, AP-AB84**

Ref	Part No.	Part Description	Comments	Revision
	Dwg 26932	Drawing Image Number		
	323-074A	RUBBER DUST DEFLECTOR 72	AB72	
	323-021A	RUBBER DUST DEFLECTOR *	AB84	
1.	323-074D	BROOM SHROUD EXTENSION 72	AB72	
1.	323-040D	84 BROOM SHROUD EXTENTION	AB84	
2.	323-057D	DUST DEFLECTOR BRACKET LH		
3.	323-058D	DUST DEFLECTOR BRACKET RH		
4.	323-059D	DUST DEFLECTOR STIFFENER 72	AB72	
4.	323-059D	DUST DEFLECTOR STIFFENER	AB84	
5.	323-075D	DEFLECTOR SUPPORT 72	AB72	
5.	323-060D	84 DEFLECTOR SUPPORT	AB84	
6.	802-004C	HHCS 1/4-20X3/4 GR5		
7.	802-007C	HHCS 5/16-18X3/4 GR5		
8.	803-194C	NUT HEX WHIZ 1/4-20 PLT		
9.	804-007C	WASHER FLAT 1/4 SAE PLT		
10.	804-009C	WASHER LOCK SPRING 5/16 PLT		
11.	804-176C	WASHER FENDER 1/4 X 1 1/2		
12.	816-778C	RUBBER DEFLECTOR 72	AB72	
12.	816-612C	84 RUBBER DEFLECTOR	AB84	

Dust Suppression Kit (Water)

Applies to AP-AB72, AP-AB84



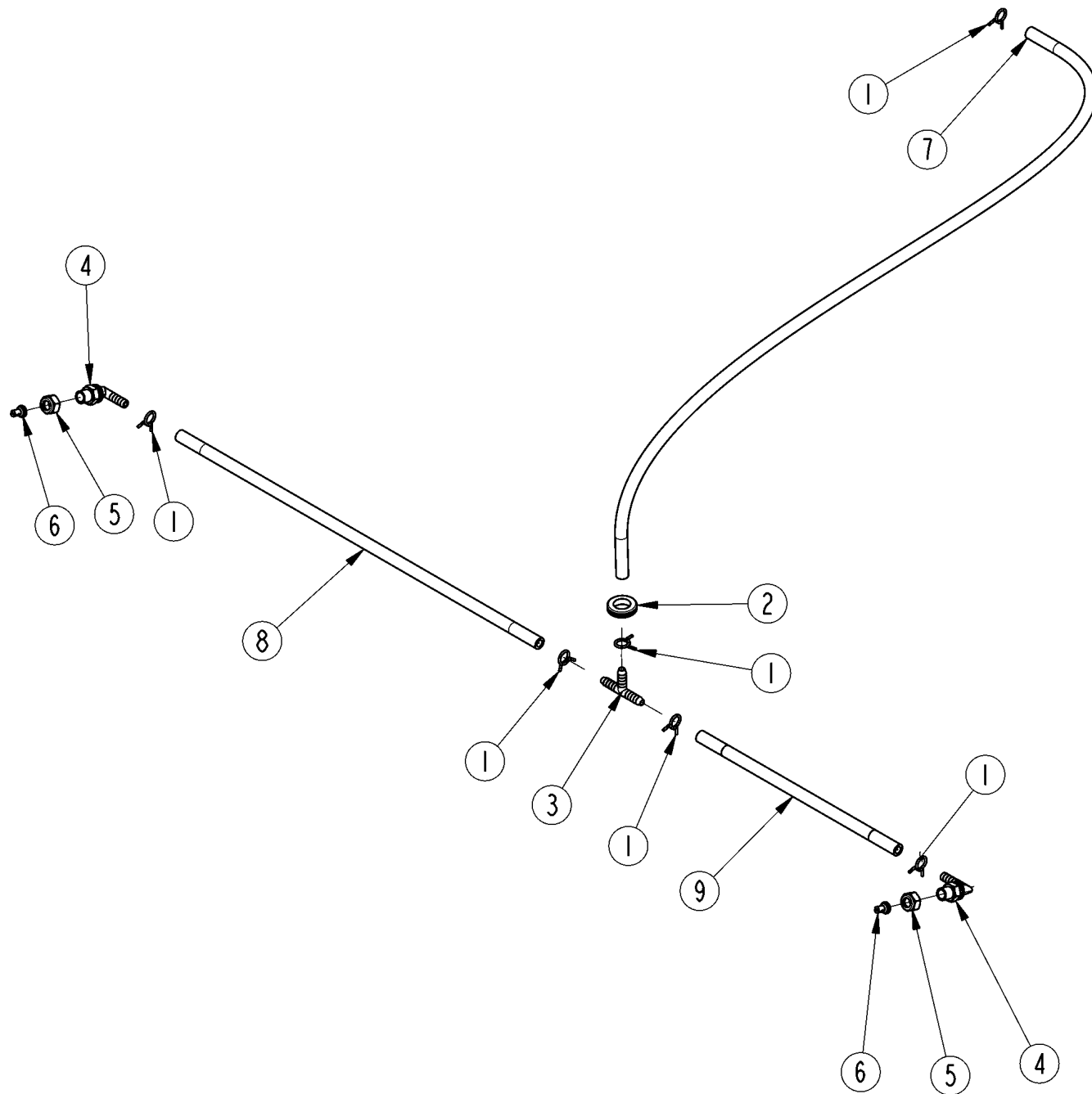
27578

Dust Suppression Kit (Water)**Applies to AP-AB72, AP-AB84**

Ref	Part No.	Part Description	Comments	Revision
	Dwg 27578 323-030A	Drawing Image Number DUST SUPPRESSION KIT *		
1.	323-036H	WATER TANK LEG		
2.	323-043D	WATER TANK ANGLE		
3.	800-029C	SINGLE WIRE HOSE CLAMP #14		
4.	800-381C	SINGLE WIRE HOSE CLAMP #9.5		
5.	801-236C	HSBHCS #10-24 X 1		
6.	802-017C	HHCS 3/8-16X1 GR5		
7.	802-079C	HHCS 3/8-16X1 1/4 GR5		
8.	802-159C	HHCS 5/16-18X1 GR5		
9.	803-078C	NUT LOCK 3/8-16 NYLON INSERT		
10.	804-009C	WASHER LOCK SPRING 5/16 PLT		
11.	804-010C	WASHER FLAT 5/16 USS PLT		
12.	804-011C	WASHER FLAT 3/8 USS PLT		
13.	804-046C	WASHER FLAT #10 SAE PLT		
14.	816-611C	GROMMET, .75IDX1.25ODX.063		
15.	817-835C	WATER TANK 25 GAL.		
16.	823-306C	SWITCH & POWER CABLE		
17.	829-039C	VALVE - 1/2FNPT SINGLE UN BALL		
18.	830-010C	TEE 3/8HB POLYPROP		
19.	830-041C	AD 1/2MNPT POLYPROP		
20.	830-074C	AD 3/8MNPT X 3/8HB POLYPROP		
21.	830-222C	AD 1/2MNPT X 5/8 HB POLYP		
22.	830-394C	AD 1/2MNPT X 3/8MNPT POLY		
23.	830-395C	EL BLKHD 5/8-16 X 3/8 HB		
24.	830-396C	CAP, 5/8-16 POLY NOZZLE		
25.	830-398C	AD 3/4FGHT X 1/2FNPT		
26.	831-066C	NYLON LINE FILTER, 1/2 FNPT		
27.	831-067C	PUMP,12V DC 30PSI MAX WATER		
28.	832-060C	NOZZLE TIP, BRASS TK-1.5		
29.	990-171R	HOSE 5/8 PVC	Order Length Required Sold per Foot	
30.	990-250R	HOSE CLEAR PVC 3/8ID X 1/8WL	Order Length Required Sold per Foot	
31.	990-250R	HOSE CLEAR PVC 3/8ID X 1/8WL	Order Length Required Sold per Foot	
32.	990-250R	HOSE CLEAR PVC 3/8ID X 1/8WL	Order Length Required Sold per Foot	

Hose & Spray Kit

Applies to AP-AB72, AP-AB84



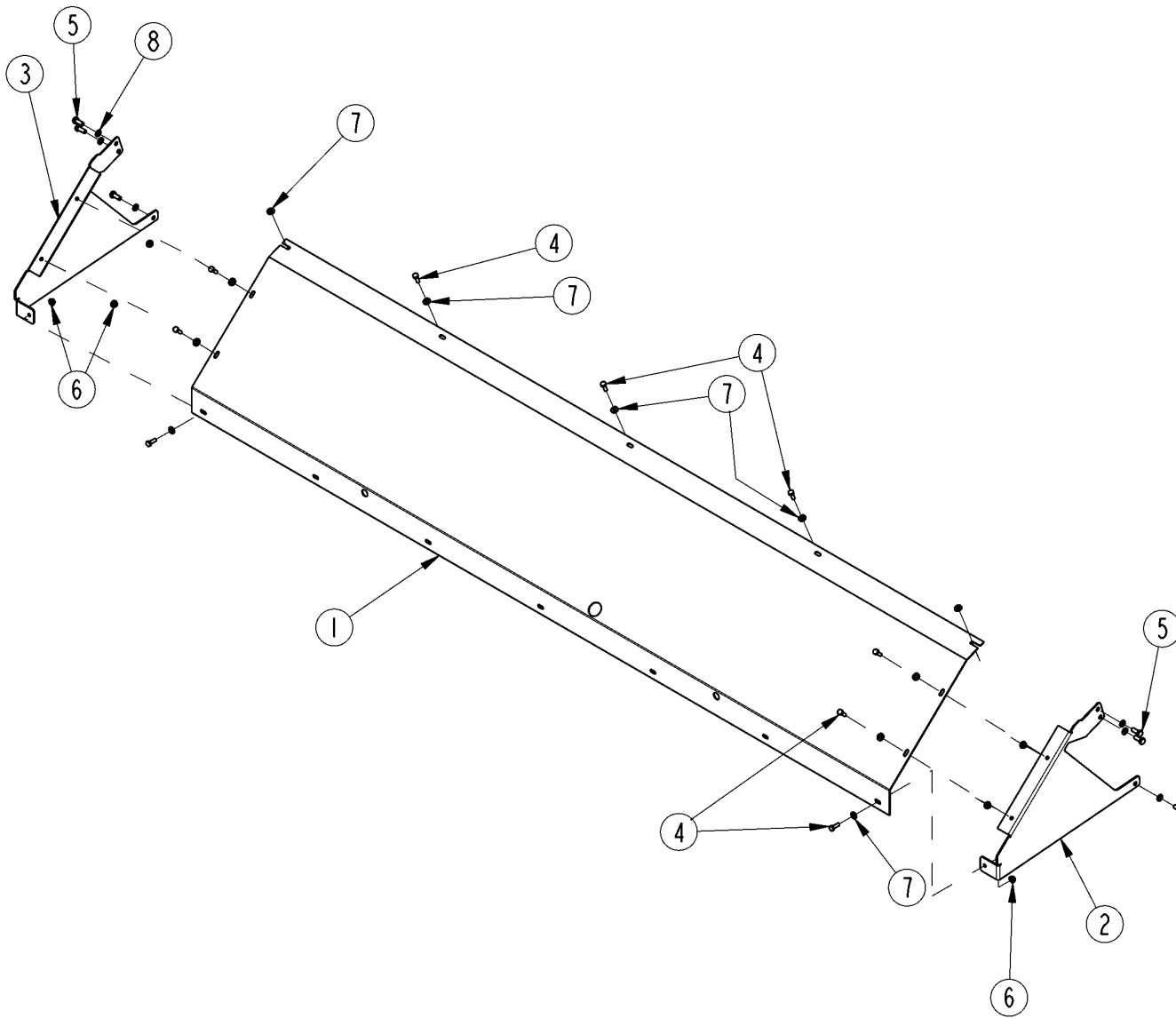
30930

Hose & Spray Kit**Applies to AP-AB72, AP-AB84**

Ref	Part No.	Part Description	Comments	Revision
	Dwg 30930 323-043A	Drawing Image Number HOSE AND SPRAY KIT *		
1.	800-381C	SINGLE WIRE HOSE CLAMP #9.5		
2.	816-611C	GROMMET, .75IDX1.25ODX.063		
3.	830-010C	TEE 3/8HB POLYPROP		
4.	830-395C	EL BLKHD 5/8-16 X 3/8 HB		
5.	830-396C	CAP, 5/8-16 POLY NOZZLE		
6.	832-060C	NOZZLE TIP, BRASS TK-1.5		
7.	990-250R	HOSE CLEAR PVC 3/8ID X 1/8WL	Order Length Required Sold per Foot	
8.	990-250R	HOSE CLEAR PVC 3/8ID X 1/8WL	Order Length Required Sold per Foot	
9.	990-250R	HOSE CLEAR PVC 3/8ID X 1/8WL	Order Length Required Sold per Foot	

Shroud Extension Metal

Applies to AP-AB72, AP-AB84



27547

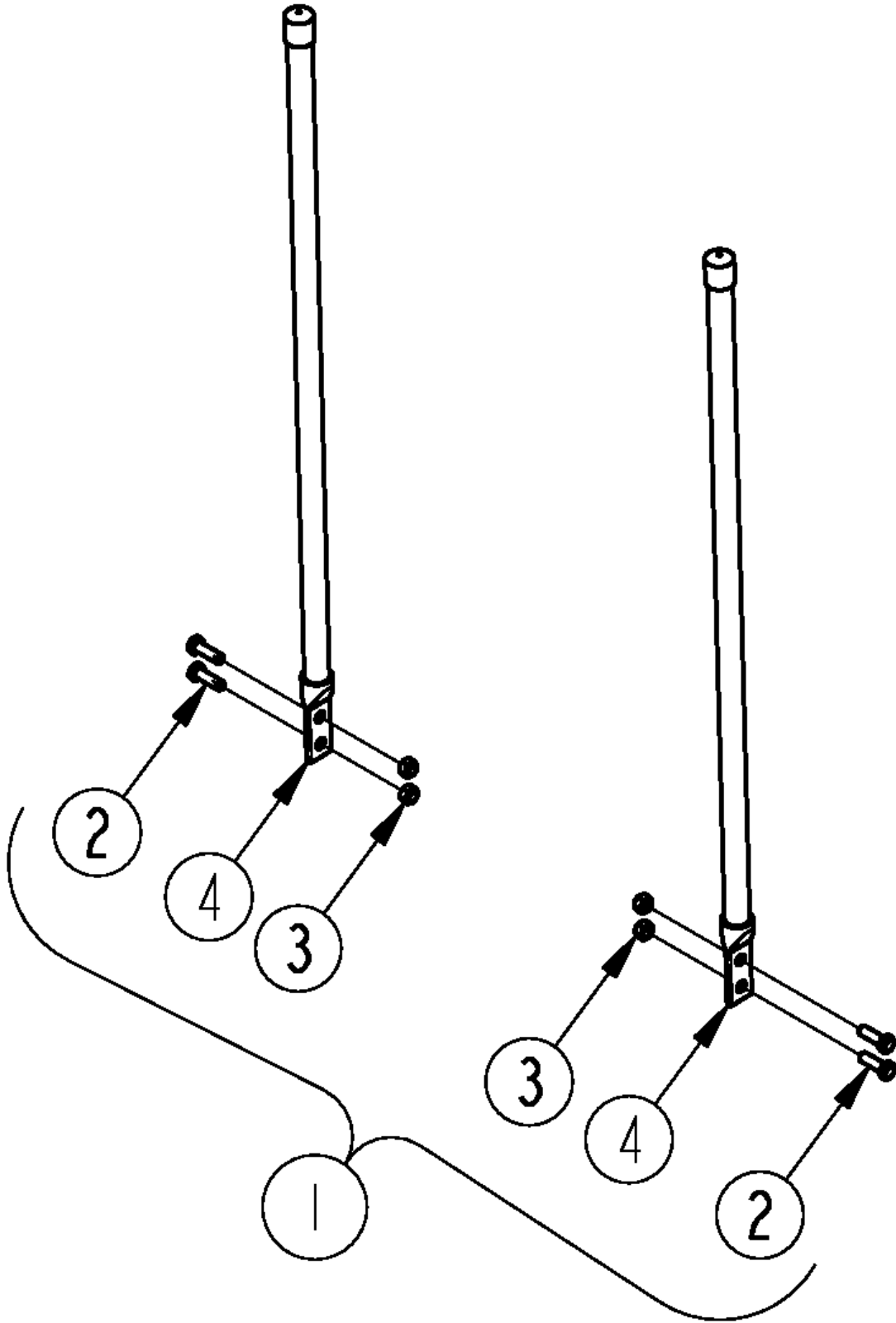
Shroud Extension Metal

Applies to AP-AB72, AP-AB84

Ref	Part No.	Part Description	Comments	Revision
	Dwg 27547	Drawing Image Number		
	323-072A	METAL SHROUD EXTENSION 72	AB72	
	323-037A	METAL SHROUD EXTENSION 84	AB84	
		*		
1.	323-074D	BROOM SHROUD EXTENSION 72	AB72	
1.	323-040D	84 BROOM SHROUD EXTENTION	AB84	
2.	323-057D	DUST DEFLECTOR BRACKET LH		
3.	323-058D	DUST DEFLECTOR BRACKET RH		
4.	802-004C	HHCS 1/4-20X3/4 GR5		
5.	802-007C	HHCS 5/16-18X3/4 GR5		
6.	803-194C	NUT HEX WHIZ 1/4-20 PLT		
7.	804-007C	WASHER FLAT 1/4 SAE PLT		
8.	804-009C	WASHER LOCK SPRING 5/16 PLT		

SSP15 Marker Edge

Applies to AP-AB72, AP-AB84



26933

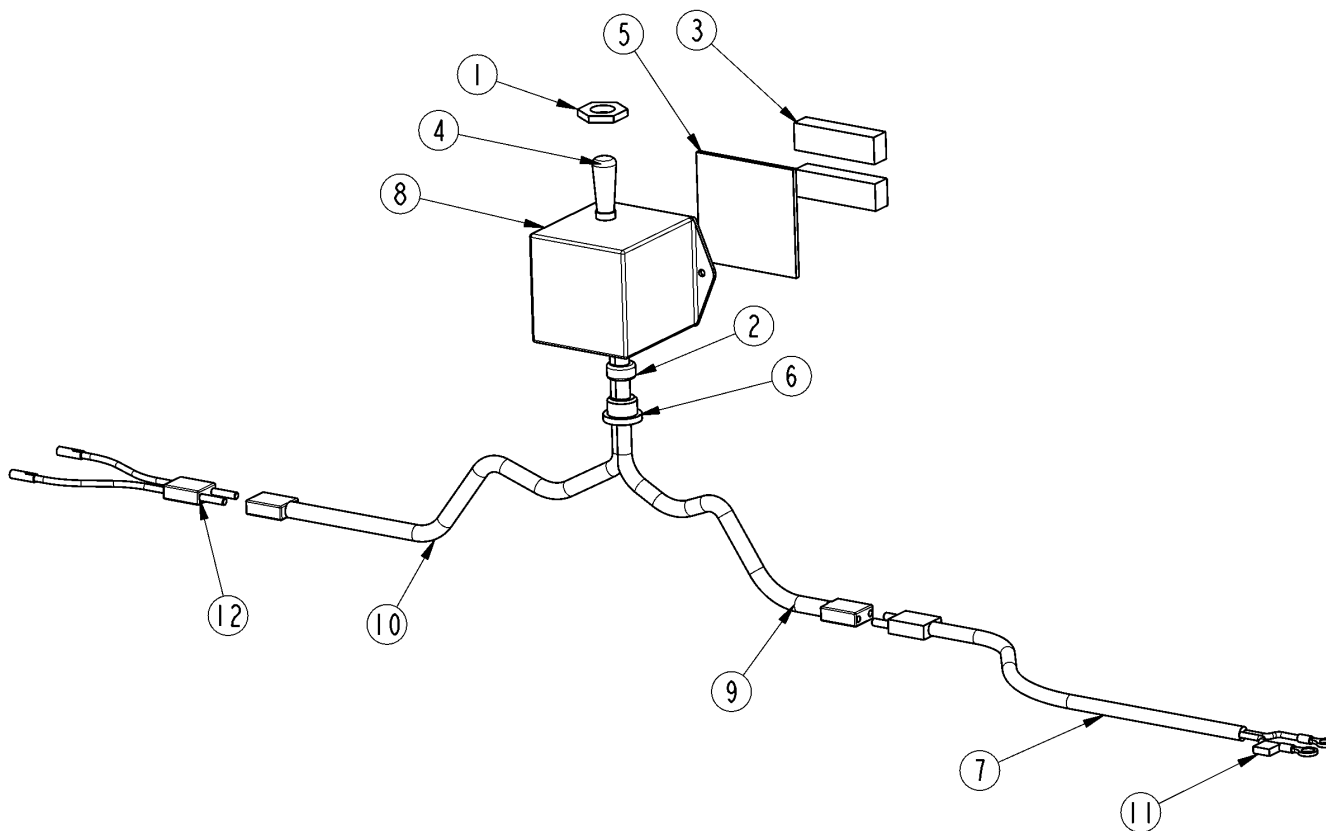
SSP15 Marker Edge

Applies to AP-AB72, AP-AB84

Ref	Part No.	Part Description	Comments	Revision
	Dwg 26933	Drawing Image Number		
1.	323-026A	MARKER ASSY.		
2.	802-159C	HHCS 5/16-18X1 GR5		
3.	803-084C	NUT HEX NYLOCK 5/16-18 PLT		
4.	N/A	MARKER STICK		

Switch & Power Cable (823-306C)

Applies to AP-AB72, AP-AB84



27579

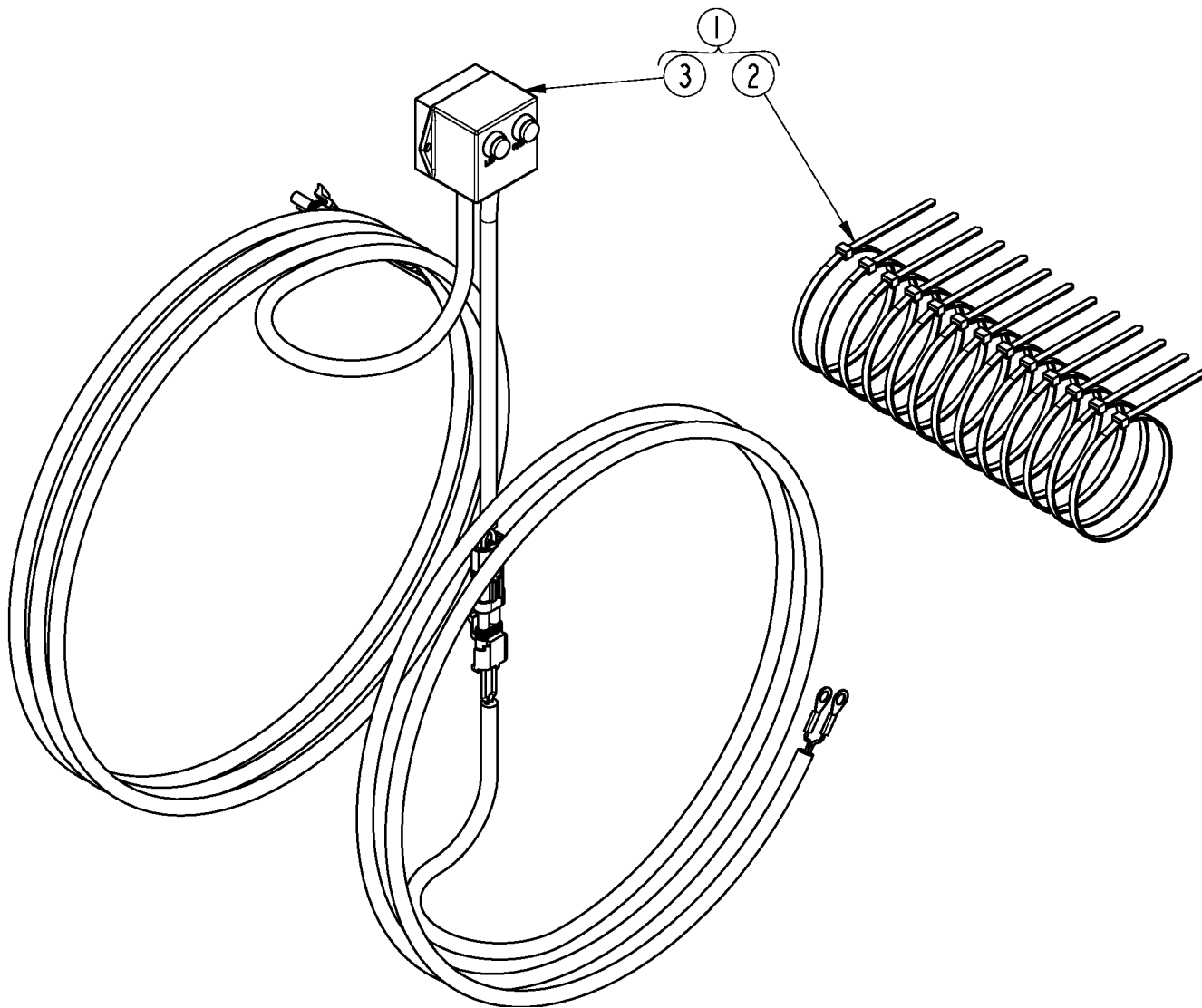
Switch & Power Cable (823-306C)

Applies to AP-AB72, AP-AB84

Ref	Part No.	Part Description	Comments	Revision
	Dwg 27579 823-306C	Drawing Image Number SWITCH & POWER CABLE *		
1.	213-425	FASSE NUT JAM 15/32" BLK		
2.	800-303C	CABLE TIE 2 DIA MIN - BLK		
3.	219-082	FASSE MAG CERAMIC 1"X2"X.5"		
4.	250-003	FASSE SW TOG SPDT 2P STAT SHRT		
5.	251-031	FASSE ENCLOSED COVER 2X2		
6.	259-001	FASSE GROMMET .5000D SNAP		
7.	310-700	FASSE HRNSS 2 CON 16GA 2WPT /18		
8.	319-506	FASSE ENCL DRL SWBX SW1-1X1/2"		
9.	320-046	FASSE HRNES 200N 16GA 2YPT/1.5		
10.	320-702	FASSE HRN 2CON 2PN WPS /18'-6"		
11.	833-513C	FUSE, ACT 7.5 BRN		
12.	320-284	FASSE HRN 200N 18GA W/PT 6"		

Switch & Wire Harness

Applies to AP-AB72, AP-AB84



37136

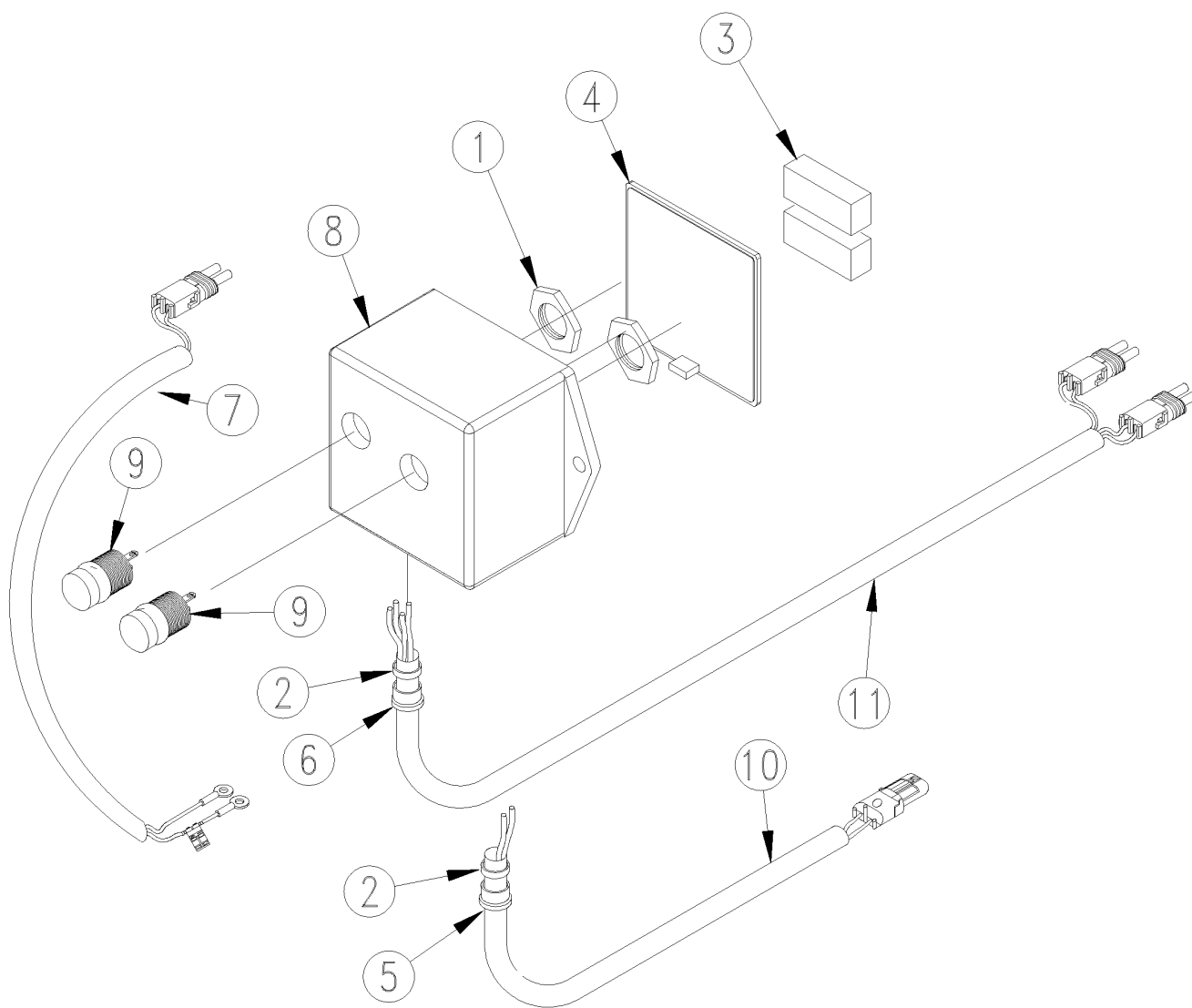
Switch & Wire Harness

Applies to AP-AB72, AP-AB84

Ref	Part No.	Part Description	Comments	Revision
	Dwg 37136	Drawing Image Number		
1.	323-097A	SWITCH & WIRE HARNESS		
2.	800-060C	CABLE TIE .19X14.25 3DIA 50LB		
3.	823-183C	SWITCH & WIRE HARNESS		

Switch & Wire Harness (823-183C)

Applies to AP-AB72, AP-AB84



27644

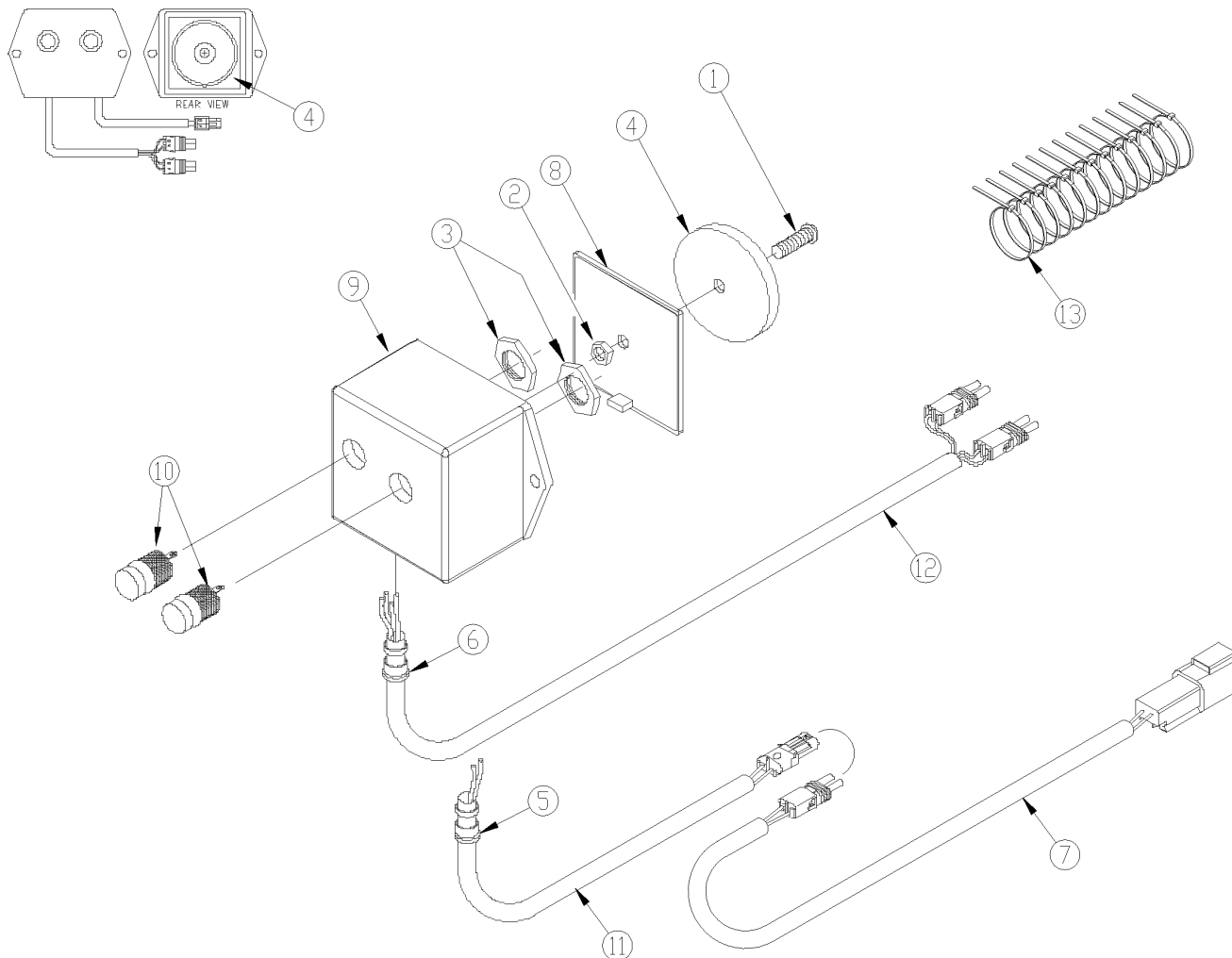
Switch & Wire Harness (823-183C)

Applies to AP-AB72, AP-AB84

Ref	Part No.	Part Description	Comments	Revision
	Dwg 27644 823-183C	Drawing Image Number SWITCH & WIRE HARNESS *		
1.	213-425	FASSE NUT JAM 15/32" BLK		
2.	800-303C	CABLE TIE 2 DIA MIN - BLK		
3.	219-082	FASSE MAG CERAMIC 1"X2"X.5"		
4.	251-031	FASSE ENCLOSED COVER 2X2		
5.	259-001	FASSE GROMMET .5000D SNAP		
6.	259-002	FASSE GROMMET .625OD SNAP		
7.	310-022	FASSE HRNSS 2 CON 15GA 2WPT /9		
8.	319-817	FASSE ENCL DRL 251030 4X1/2		
9.	319-895	FASSE SW ASSY PB MOM O R SW		
10.	320-046	FASSE HRNES 200N 16GA 2YPT/1.5		
11.	320-048	FASSE HRN 400N 16G 2X2 WPT/9.5		

Switch & Wire Harness (823-437C)

Applies to AP-AB72, AP-AB84



37132

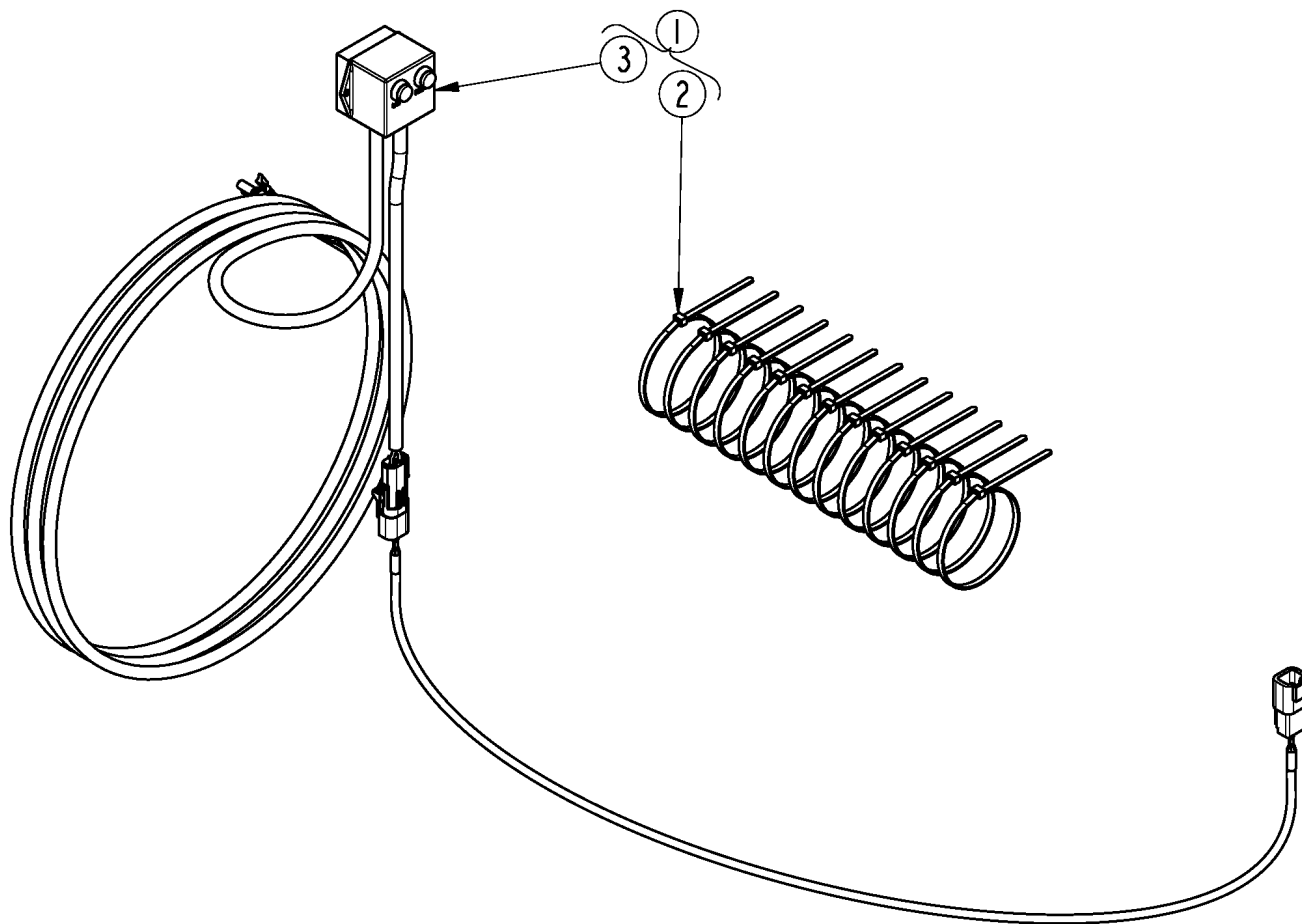
Switch & Wire Harness (823-437C)

Applies to AP-AB72, AP-AB84

Ref	Part No.	Part Description	Comments	Revision
	Dwg 37132 823-437C	Drawing Image Number SWITCH & WIRE HARNESS DTP PLUG *		
1.	212-122	FASSE SCREW #10-32X7/16" ZNC		
2.	212-123	FASSE HEX LOCKNUT NYLON #10-32		
3.	213-425	FASSE NUT JAM 15/32" BLK		
4.	219-096	FASSE MAG CERAMIC RNS 2.0" DIA		
5.	259-001	FASSE GROMMET .5000D SNAP		
6.	259-002	FASSE GROMMET .625OD SNAP		
7.	309-044	FASSE HRN DTP04-2P 14GA 2WPT/5		
8.	311-016	FASSE ENCL DRILL CVR 2X2 3/16"		
9.	319-817	FASSE ENCL DRL 251030 4X1/2		
10.	319-895	FASSE SW ASSY PB MOM O R SW		
11.	320-046	FASSE HRNES 200N 16GA 2YPT/1.5		
12.	320-048	FASSE HRN 400N 16G 2X2 WPT/9.5		

Switch & Wire Harness DTP Plug

Applies to AP-AB72, AP-AB84



37135

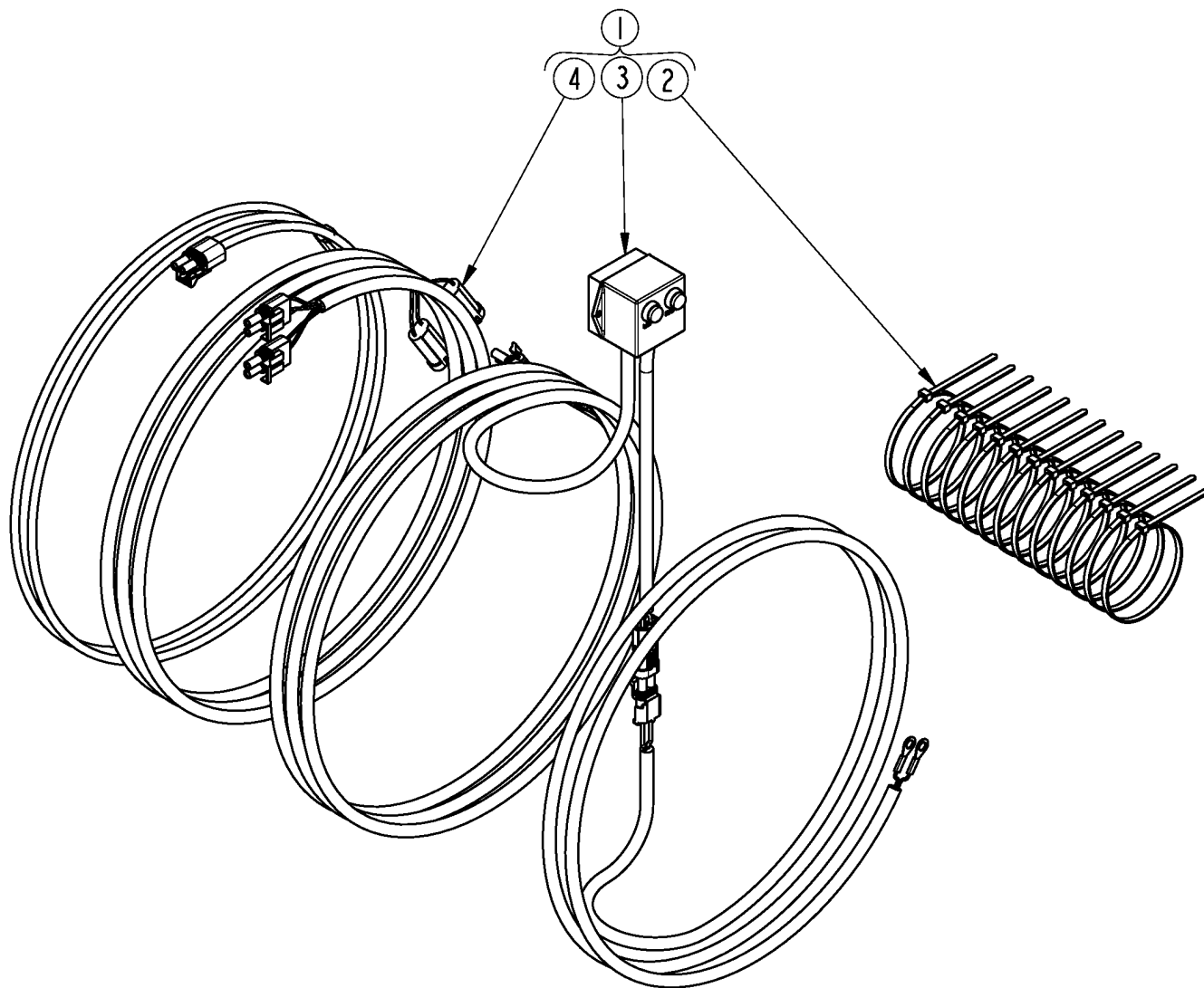
Switch & Wire Harness DTP Plug

Applies to AP-AB72, AP-AB84

Ref	Part No.	Part Description	Comments	Revision
	Dwg 37135	Drawing Image Number		
1.	323-096A	SWITCH & WIRE HARNESS DTP PLUG		
2.	800-060C	CABLE TIE .19X14.25 3DIA 50LB		
3.	823-437C	SWITCH & WIRE HARNESS DTP PLUG		

Switch & Wire Harness Tractor

Applies to AP-AB72, AP-AB84



37137

Switch & Wire Harness Tractor

Applies to AP-AB72, AP-AB84

Ref	Part No.	Part Description	Comments	Revision
	Dwg 37137	Drawing Image Number		
1.	323-098A	SWITCH & WIRE HARNESS TRACTOR		
2.	800-060C	CABLE TIE .19X14.25 3DIA 50LB		
3.	823-183C	SWITCH & WIRE HARNESS		
4.	823-304C	TRACTOR\BROOM EXTENSION CABLES		



Part Number Index

The Part Number Index is a numeric index of all part numbers included in this manual. The index shows what page(s) the part is used on.

Part Number	Page	Part Number	Page	Part Number	Page	Part Number	Page
130556	25	323-043D	49	800-080C	9	811-411C	11, 15
134952	25	323-046H	7	800-303C	57, 61	811-744C	11, 13, 15, 17
138006	25	323-047A	7	800-381C	49, 51	811-745C	11, 13, 15, 17
138007	25	323-048A	7	801-236C	49	815-312C	19
148000	25	323-049A	7	802-004C	9, 47, 53	816-504C	9
157018110	27, 29	323-053H	19	802-005C	7, 9	816-611C	49, 51
1D0007-850	21	323-057D	47, 53	802-007C	9, 19, 47, 53	816-612C	47
1D0206-1075	21	323-058D	47, 53	802-017C	19, 49	816-778C	47
1D1003-5	21	323-058S	9	802-023C	23	817-422C	9
1D1157-17	21	323-059D	47	802-029C	19	817-835C	49
1D1205-8	21	323-060D	47	802-038C	19	818-045C	39
1D1401-300	21	323-060H	9	802-079C	49	818-190C	39
1D1551-16275	21	323-064D	19	802-097C	9	818-298C	39
1M6010-ADI	23	323-064H	7	802-159C	49, 55	821-070C	41
212-122	63	323-066A	7	802-216C	9, 11, 15	821-070CGL	41
212-123	63	323-068A	7	802-224C	9	821-070CQT	41
213-425	57, 61, 63	323-070A	7	802-318C	11, 13, 15	821-070CTU	41
219-082	57, 61	323-072A	53	802-473C	9, 11, 13, 15, 17	822-243C	19
219-096	63	323-074A	47	802-584C	9	823-183C	59, 61, 67
250-003	57	323-074D	47, 53	803-007C	9	823-303C	45
251-031	57, 61	323-075D	47	803-013C	11, 13, 15	823-304C	67
258753	25	323-094A	43	803-019C	19	823-306C	49, 57
258851	25	323-095A	45	803-021C	9	823-384C	43
259-001	57, 61, 63	323-096A	65	803-027C	9	823-437C	63, 65
259-002	61, 63	323-097A	59	803-078C	9, 49	829-039C	49
2A0014	23	323-098A	67	803-084C	9, 11, 13, 15, 17, 55	830-010C	49, 51
2A0024	23	323-102K	15, 17	803-177C	9, 11, 13, 15, 17	830-041C	49
2A0079-616	21	323-103H	15, 17	803-194C	47, 53	830-074C	49
2A0132	23	323-104H	15, 17	803-229C	19	830-222C	49
2A0235-6	21	38400023	35	803-234C	23	830-394C	49
2A0235-8	21	3R1412	23	803-255C	9	830-395C	49, 51
2A0246-12	21	492650	25	804-006C	7, 9	830-396C	49, 51
2A0580-1100	21	4M4108	23	804-007C	9, 47, 53	830-398C	49
2M4410	23	500011300	27, 29, 31, 33	804-009C	19, 47, 49, 53	831-066C	49
300339303P	31, 33	500012001	27, 29, 31, 33	804-010C	49	831-067C	49
30102576	37	500014007	29, 31	804-011C	49	832-060C	49, 51
30103067	35	500014008	27, 33	804-013C	19	833-513C	57
309-044	63	500015006	27, 29, 31, 33	804-019C	9	838-094C	39
310-022	61	500016001	27, 29, 31, 33	804-022C	9	838-293C	39
310-700	57	500018002	27, 29, 31, 33	804-024C	9	841-109C	13
311-016	63	500018003	27, 29, 31, 33	804-036C	9, 11, 13, 15, 17	841-312C	13, 17
319-506	57	500018048	27, 29, 31, 33	804-039C	9	841-313C	11, 15
319-817	61, 63	500018059	27, 29, 31, 33	804-046C	49	841-320C	11, 13, 15, 17
319-895	61, 63	500018252	31, 33	804-176C	47	841-324C	11
320-046	57, 61, 63	500018305	27, 29	804-233C	19	841-343C	11, 15
320-048	61, 63	500018316	27, 29	805-012C	15, 17	841-344C	11, 13
320-284	57	500130723	31, 33	805-028C	9	841-547C	11, 13
320-702	57	500307005	27, 29, 31, 33	805-032C	21	841-548C	11, 13
323-004D	9	500444001	31, 33	805-109C	9	841-550C	13
323-005H	9	500444506	27, 29	805-124C	23	841-982C	13, 17
323-008D	11, 15	500445018	29, 31	805-146C	9	841-983C	11, 13
323-008H	9	500445024	27, 33	805-212C	9	841-984C	11, 15
323-012D	7	500449101	27, 29, 31, 33	805-380C	15, 17	848-372C	39
323-012H	9	500449303	27, 29	805-416C	9	848-392C	39
323-017H	19	502-068D	9, 11, 13, 15, 17	807-283C	9	850-253C	19, 27
323-021A	47	505013623	27, 29	810-009C	21	850-254C	19, 29
323-022S	9	505017001	27, 29	810-015C	23	851-947C	11, 13, 15, 17
323-023S	9	530018100	27, 29	810-384C	21, 23	851-948C	11, 13, 15, 17
323-024S	9	530018102	27, 29	810-643C	11, 13, 35	858-235C	39
323-025V	9	5M4110	23	810-648C	11, 15, 37	858-399C	39
323-026A	55	61010016	35	810-715C	11, 13	858-464C	39
323-029H	9	61010123	35	810-731C	19, 33	858-465C	39
323-030A	49	649190	25	810-732C	19, 31	86020379	35
323-034D	9	6R1162-ADI	23	810-734C	11, 13, 25	86020630	35
323-035H	9	741798	25	811-063C	11, 13	87410226	37
323-036D	19	741800	25	811-092C	11, 15	88400016	35
323-036H	49	7M4310	23	811-153C	11, 13	890-005C	9
323-037A	53	800-001C	19	811-170C	11, 13	890-011C	9
323-040D	47, 53	800-029C	49	811-408C	11, 13	890-637C	15, 17
323-043A	51	800-060C	43, 45, 59, 65, 67			890-998C	7



<u>Part Number</u>	<u>Page</u>
890-999C	7
891-114C	7
891-130C	9
891-132C	7
891-133C	7
891-148C	9
891-163C	7
990-171R	49
990-211R	39
990-250R	49, 51
990-296R	11, 13
Dwg 11717	23
Dwg 26878	9
Dwg 26932	47
Dwg 26933	55
Dwg 27547	53
Dwg 27552	35, 37
Dwg 27578	49
Dwg 27579	57
Dwg 27644	61
Dwg 30930	51
Dwg 33319	13
Dwg 33320	11
Dwg 33321	15
Dwg 33322	17
Dwg 33323	7
Dwg 33324	19
Dwg 33401	25
Dwg 33918	21
Dwg 35509	33
Dwg 35510	31
Dwg 37132	63
Dwg 37133	43
Dwg 37134	45
Dwg 37135	65
Dwg 37136	59
Dwg 37137	67
Dwg 37695	39
Dwg 39920	27
Dwg 39921	29
N/A	21, 25, 27, 29, 31, 33, 55



KUBOTA TRACTOR CORPORATION

1000 Kubota Drive, Grapevine, TX 76051

Telephone: (817) 756-1171

Western Division: 1175 S. Guild Ave., Lodi, CA 95240
Telephone: (209) 334-9910

Central Division: 14855 FAA Blvd., Fort Worth, TX 76155
Telephone: (817) 571-0900

Northern Division: 6300 at One Kubota Way, Groveport, OH 43125
Telephone: (614) 835-1100

Southeast Division: 1025 Northbrook Parkway, Suwanee, GA 30024
Telephone: (770) 995-8855

www.kubota.com
