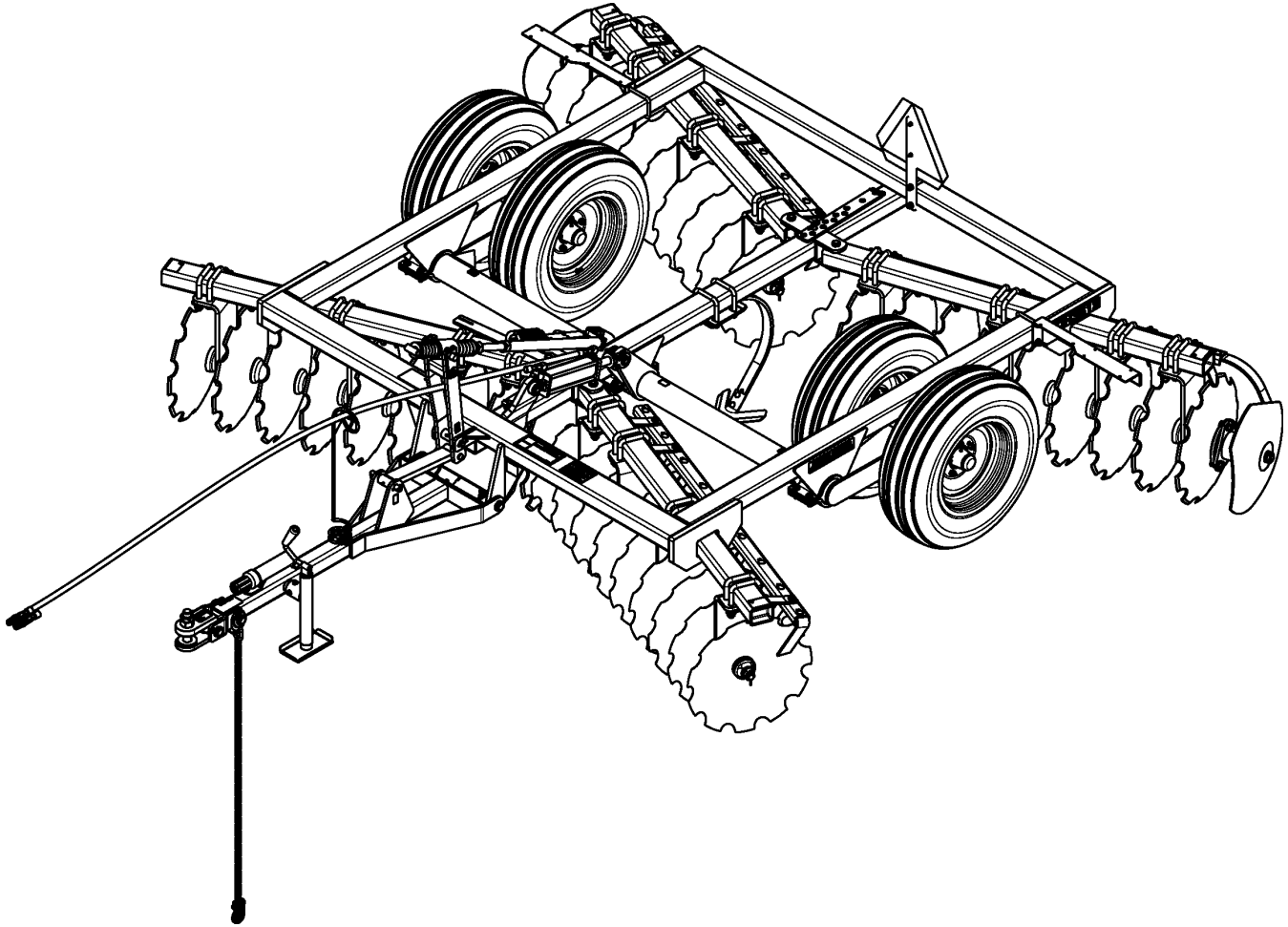


Disc Harrows

DH3510 & DH3512



25984

322-251P **Parts Manual**



Read the Operator's Manual entirely. When you see this symbol, the subsequent instructions and warnings are serious - follow without exception. Your life and the lives of others depend on it!

© Copyright 2018 Printed 07/10/18

Cover photo may show optional equipment not supplied with standard unit.





Table of Contents

Section 1: Introduction.....	4
Using This Manual.....	4
Manual Replacement Information.....	4
Manual Revisions.....	4
Touch-up Paint.....	4
Hardware Legend.....	5
Replacement Hardware.....	5
Serial Numbers.....	5
Part Number Service Coding.....	5
Section 2: Frame, Hitch & Transport Axle.....	6
Frame Disc.....	6
Hitch Pull.....	8
Hydraulic Cylinder (810-624C) Midway.....	10
Hydraulic Cylinder (810-624C) Red Lion.....	12
Lights.....	14
Transport Axle.....	16
Section 3: Disc Gang.....	18
Disc Gang (DH3510).....	18
Disc Gang (DH3512).....	20
Section 4: Decals.....	22
Decal Placement.....	22
Land Pride Touch-up Paints.....	24
Section 5: Options & Accessories.....	26
Center Sweep.....	26
Furrow Filler 18" Dia.....	28
Furrow Filler 20" Dia.....	30
Light Kit.....	32
Scraper Identification Drawing.....	34
Scraper Kit Furrow Filler.....	36
Scrapers Disc (DH3510 7 1/2" Spacing).....	38
Scrapers Disc (DH3510 9" Spacing).....	40
Scrapers Disc (DH3512 7 1/2" Spacing).....	42
Scrapers Disc (DH3512 9" Spacing).....	44
Slow Moving Vehicle Sign.....	46
Transport Wheel Dual.....	48
 Part Number Index.....	 50

© Copyright 2018. All rights reserved.

Land Pride provides this publication "as is" without warranty of any kind, either expressed or implied. While every precaution has been taken in the preparation of this manual, Land Pride assumes no responsibility for errors or omissions. Neither is any liability assumed for damages resulting from the use of the information contained herein. Land Pride reserves the right to revise and improve its products as it sees fit. This publication describes the state of this product at the time of its publication, and may not reflect the product in the future. The illustrations in this manual are not intended for safe and proper assembly or disassembly of equipment. The illustrations are intended for ordering parts only.

Land Pride is registered trademark.

All other brands and product names are trademarks or registered trademarks of their respective holders.

Printed in the United States of America.



Alphabetized Table of Contents

C	
Center Sweep.....	26
D	
Decal Placement.....	22
Disc Gang (DH3510).....	18
Disc Gang (DH3512).....	20
F	
Frame Disc.....	6
Furrow Filler 18" Dia.....	28
Furrow Filler 20" Dia.....	30
H	
Hitch Pull.....	8
Hydraulic Cylinder (810-624C) Midway.....	10
Hydraulic Cylinder (810-624C) Red Lion.....	12
L	
Land Pride Touch-up Paints.....	24
Light Kit.....	32
Lights.....	14
S	
Scraper Identification Drawing.....	34
Scraper Kit Furrow Filler.....	36
Scrapers Disc (DH3510 7 1/2" Spacing).....	38
Scrapers Disc (DH3510 9" Spacing).....	40
Scrapers Disc (DH3512 7 1/2" Spacing).....	42
Scrapers Disc (DH3512 9" Spacing).....	44
Slow Moving Vehicle Sign.....	46
T	
Transport Axle.....	16
Transport Wheel Dual.....	48

General Information

Using This Manual

This manual is divided into sections. The first section contains General Information. The remaining sections divide the machine into segments (i.e. Frames, Drives, Hydraulics, etc.) which illustrate and list all parts. A Parts Number Index is located at the back of the book.

The Land Pride parts in this manual are specially designed for this machine and should be replaced with Land Pride parts only.

The information in this manual is current at time of printing. Some parts may change to assure top performance.

Right-hand and left-hand as used in this manual are determined by facing the direction the machine will travel while in use.

Below is an example of two facing pages from a parts manual. Familiarize yourself with the type of information contained on these pages.

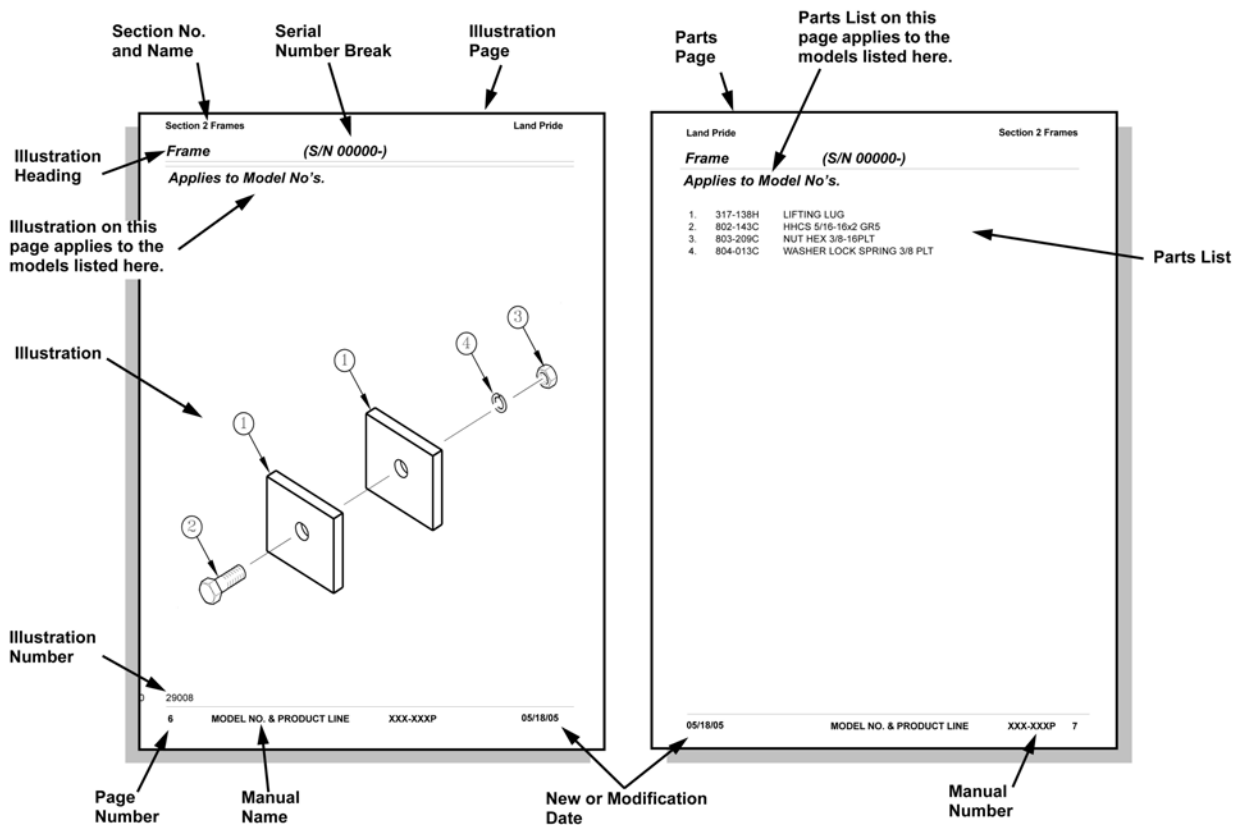
Manual Replacement Information

Replacement manuals are available. Refer to our website at www.landpride.com or e-mail us at lit@landpride.com for additional information. Our website continues to provide the most up-to-date manuals available.

Touch-up Paint

Repaint parts where paint is worn or scratched to prevent rust. Aerosol cans and touch-up bottles with brush applicator are available through your local dealer. Also available are quart and gallon size paints. Add QT or GL to end of the Aerosol P/N.

Land Pride color descriptions and part numbers are listed on the "Land Pride Touch-up Paints" page in the "Decals" section of this book. Color options vary by product.



General Information

Hardware Legend

AR	As Required
BLADE	Blade Bolt
C	Cap Screw
CP	Cotter Pin
CPHSSS	Cup Point Hex Socket Set Screw
CPSHSS	Cup Point Square Head Set Screw
CPSQHSS	Cup Point Square Head Set Screw
CRFCHMS3	Cross Recess Flat Countersunk Head Machine Screw
CRPHMS	Cross Recess Pan Head Machine Screw
CRPHTF	Cross Recess Pan Head Thread Forming
CRRHMS	Cross Recess Round Head Machine Screw
CRTHMS	Cross Recess Truss Head Machine Screw
CSNB	Countersunk Square Neck Bolt
FHMS	Flat Head Machine Screw
FTC	Full Thread Cap Screw
H	Hex Nut
HCLN	Hex Center Lock Nut
HFLCS	Hex Flange Lock Cap Screw
HFS	Hex Flange Screw
HFSLN	Hex Flange Serrated Lock Nut
HFSS	Hex Flange Serrated Screw
HHCS	Hex Head Cap Screw or Metric Bolt
HSBHCS	Hex Socket Button Head Cap Screw
HSFCHCS	Hex Socket Flat Countersunk Head Cap Screw
HSHCS	Hex Socket Head Cap Screw
HSSS	Hex Socket Head Screw
HTLN	Hex Top Lock Nut
HWHCS	Hex Washer Head Cap Screw

HWHMS	Hex Washer Head Machine Screw
HXBHCS	Hex Socket Button Head Cap Screw
J	Hex Jam Nut
JIC	37 Degree Tapered Thread
L	Helical Spring Lock Washer
LUG	Lug Bolt
NFC	National Fine Cap Screw
NPSM	National Pipe Straight Mechanical
NPTF	National Pipe Taper Fuel
P	Wide Plain Washer
PHMS	Pan Head Machine Screw
PLOW	Plow Bolt
RHMS	Round Head Machine Screw
RHSNB	Round Head Square Neck Bolt
SCREW LEVELING	Leveling Screw
SCREW THUMB	Thumb Screw
SCREW WELD	Weld Screw
SFCHMS	Slotted Flat Countersunk Head Machine Screw
SFHMS	Slotted Fillister Head Machine Screw
SP	Special
SP SCREW	Special Screw
SOHSS	Square Head Set Screw
SRHMS	Slotted Round Head Machine Screw
SSS	Socket Set Screw
STCS	Self Tapping Cap Screw
STHMS	Slotted Truss Head Machine Screw
WHEEL	Wheel Studs and Hub Long Bolts
WING	Wing Bolt

Replacement Hardware

The **Hardware Legend** above lists hardware abbreviations used in the parts list. All bolts and nuts are Grade 5 unless otherwise noted. The use of improper grades of hardware can result in personal injury, damage to equipment, or loss of property.

Colored Replacement Parts

Land Pride offers replacement parts in factory standard colors and also on select models in Green, Orange, Red and Blue. Because of the variety of colors available, special attention must be given to the part number to prevent ordering the wrong replacement part.

A suffix number corresponding to one of the colors below must be added at the end of Land Pride's part number when ordering a replacement part with that color.

81 Green 83 Red
82 Orange 84 Blue

For example, if you are ordering a replacement part with part number 555-555C and the part you need is red, then add the suffix 83 to the end of the number to make the part number read 555-555C83. Parts ordered without a suffix number will be supplied in factory standard colors.

Black Replacement Parts

Some parts are factory standard black and some must be special ordered black. If your part is special ordered black, a second part number with the additional suffix number 85 on the end will be available. In this situation you must order that part with the suffix number for it to be black. Parts that are factory standard black will not have the suffix number.

Part Number Service Coding

Within the parts list some part numbers are coded for revisions and interchangeability. See notations in revision column.

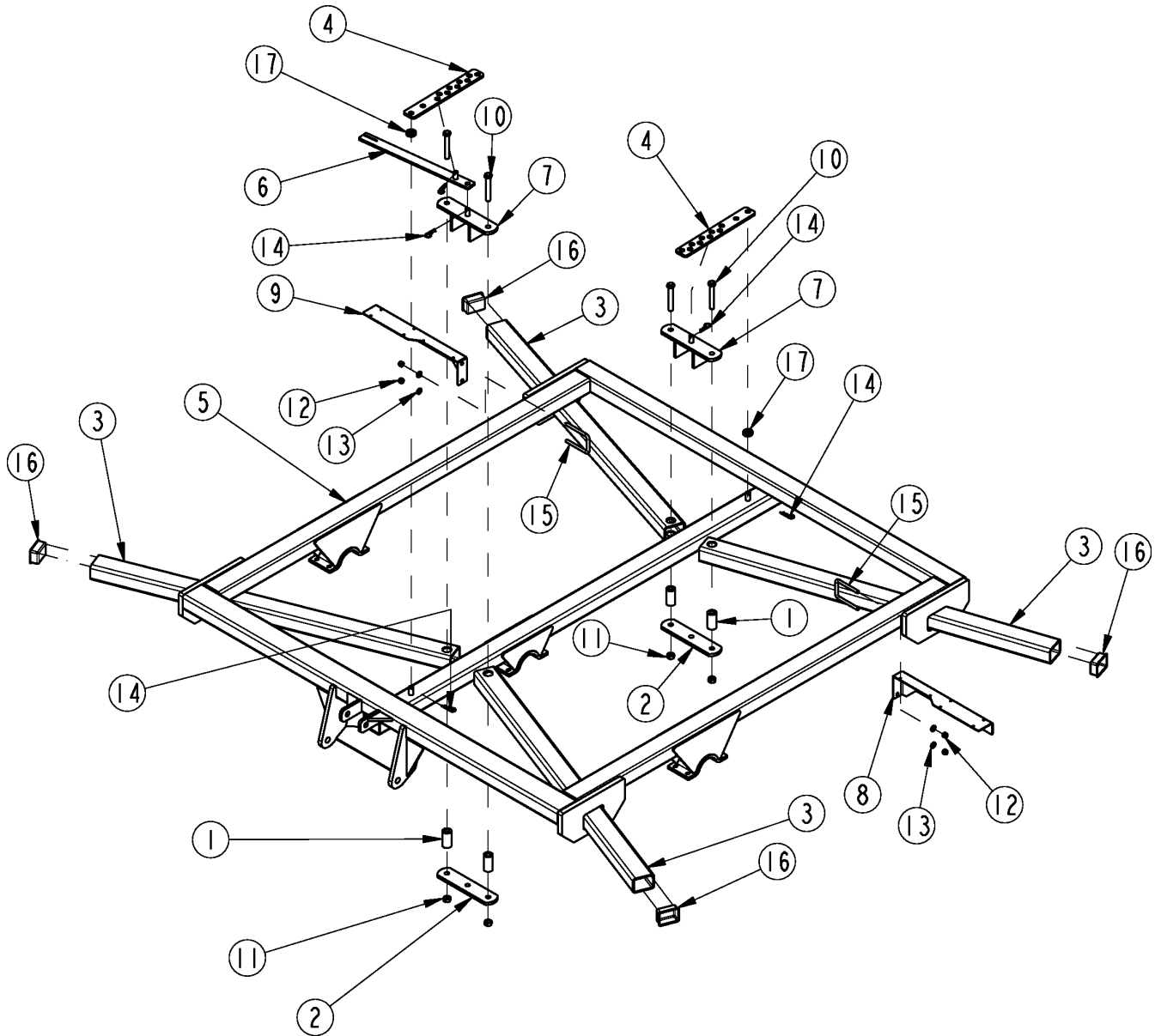
Serial Numbers

Always use the serial and model number when ordering parts. Refer to the Operator's Manual for serial number plate location.

- (S/N 20001+) Includes serial numbers 20001 and above (to the latest number)
- (S/N 10001 to 20000) Includes serial numbers between and including 10001 and 20000
- (S/N 10000-) Includes serial numbers 10000 and below (to the earliest number)

Frame Disc

Applies to DH3510, DH3512



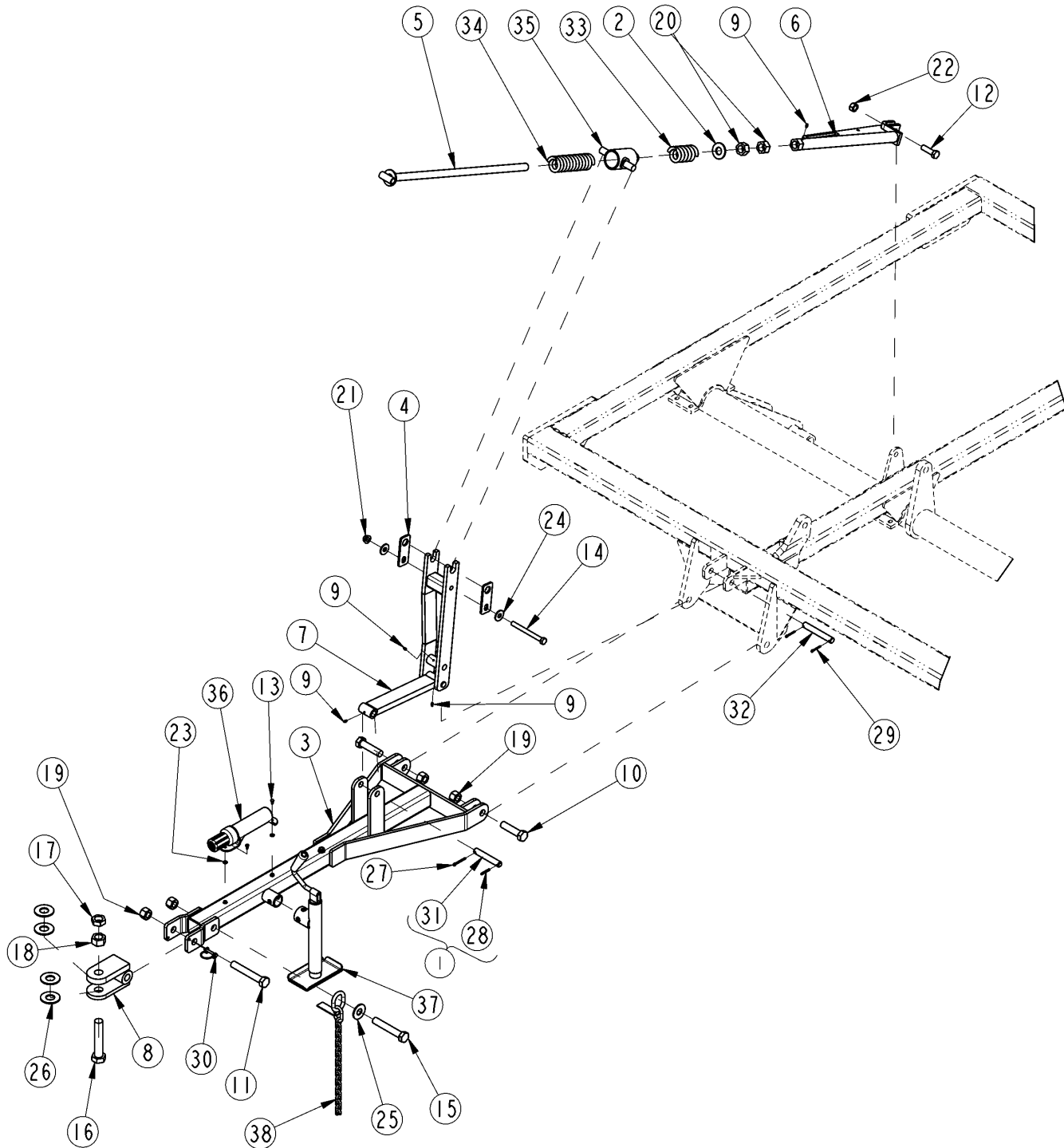
25966

Frame Disc**Applies to DH3510, DH3512**

Ref	Part No.	Part Description	Comments	Revision
	dwg25966	Drawing Image Number		
1.	322-027D	SPACER 1.56OD X .375WL X3.04LG		
2.	322-029D	DH25 SLIDE BOTTOM BKT		
2.	322-029D82	DH25 SLIDE BOTTOM BKT ORANGE		
3.	322-162D	SWING ARM TB FRNT/BCK 12'DISC		
3.	322-162D82	SWNG ARM TB FRNT/BCK 12'ORANGE		
3.	322-163D	SWING ARM TB FRNT/BCK 10'DISC		
3.	322-163D82	SWNG ARM TB FRNT/BCK 10'ORANGE		
4.	322-205D	BAR STABALIZER		
4.	322-205D82	BAR STABALIZER ORANGE		
5.	322-205H	DISC FRAME 10/12FT		
5.	322-205H82	DISC FRAME 10/12FT ORANGE		
6.	322-217H	ADJUSTMENT LEVER		
6.	322-217H82	ADJUSTMENT LEVER ORANGE		
7.	322-218H	TOP BAR W/STUB		
7.	322-218H82	TOP BAR W/STUB ORANGE		
8.	332-003H	LH BRKT REFLECTOR WLDMNT	S/N 813017+	
9.	332-007H	RH BRKT REFLECTOR WLDMNT	S/N 813017+	
10.	802-069C	HHCS 3/4-10X5 GR5		
11.	803-026C	NUT LOCK 3/4-10 PLT		
12.	803-147C	NUT HEX NYLOCK 1/2-13	S/N 813017+	
13.	804-016C	WASHER FLAT 1/2 SAE PLT	S/N 813017+	
14.	805-032C	PIN HAIR COTTER .148 WIRE		
15.	806-189C	U-BOLT 1/2-13X3 1/32X5	S/N 813017+	
16.	817-394C	RPBY 817-585C		
16.	817-585C	PLASTIC END CAP - 4X3X1/4 TUBE		
17.	827-001C	SPACER 1/2		

Hitch Pull

Applies to DH3510, DH3512



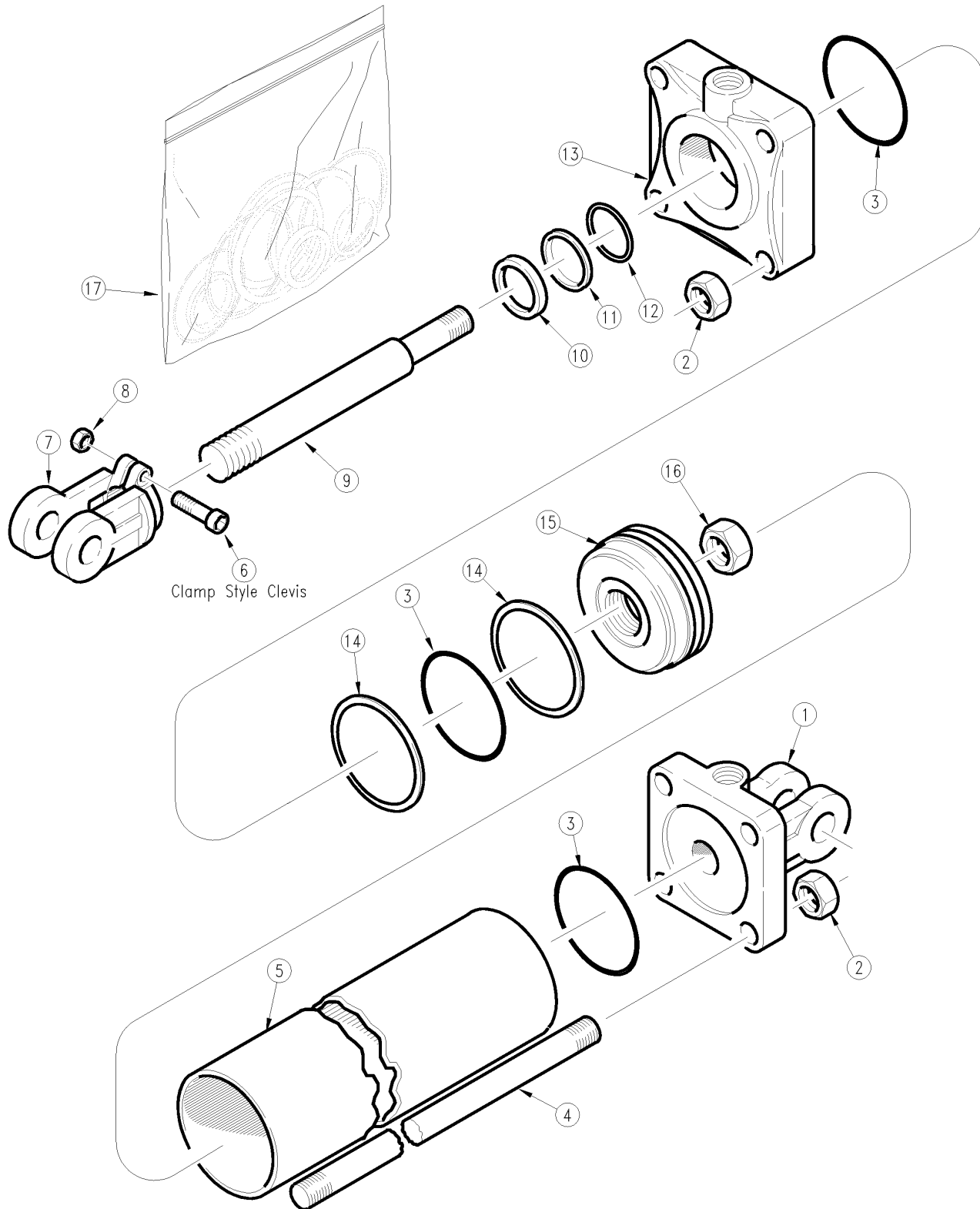
25967

Hitch Pull**Applies to DH3510, DH3512**

Ref	Part No.	Part Description	Comments	Revision
	dwg25967	Drawing Image Number		
1.	303-017S	LOWER HITCH PIN 7/8 X 5 5/8		
2.	322-216D	SPRING STOP		
3.	322-219H	TONGUE FRONT		
3.	322-219H82	TONGUE FRONT ORANGE		
4.	322-221D	LOCK PLATE		
4.	322-221D82	LOCK PLATE ORANGE		
5.	322-221H	ADJUSTMENT ROD WLDMT		
6.	322-223H	ADJUSTMENT TUBE WLDMT		
6.	322-223H82	ADJUSTMENT TUBE WLDMT ORANGE		
7.	322-225H	PIVOT WELDMENT		
7.	322-225H82	PIVOT WELDMENT ORANGE		
8.	322-269H	HITCH CLEVIS WMT CATII		
9.	800-080C	GREASE ZERK 1/4-28 THD FORMING		
10.	802-073C	HHCS 1-8X4 GR5		
11.	802-074C	HHCS 1-8X6 1/2 GR5		
12.	802-212C	HHCS 3/4-10X2 1/2 GR5		
13.	802-283C	HHCS 1/4-20X1/2 GR2		
14.	802-335C	HHCS 5/8-11X6 1/2 GR5		
15.	802-357C	HHCS 1-8X6 GR5		
16.	802-717C	HHCS 1 1/4-7X 6 1/2 GR5 PLT		
17.	803-032C	NUT HEX JAM 1 1/4-7 PLT		
18.	803-034C	NUT HEX 1 1/4-7 PLT		
19.	803-038C	NUT HEX 1-8 NYLON INSERT PLT		
20.	803-099C	NUT HEX 1 1/8-7 PLT		
21.	803-263C	NUT HEX FLANGE LOCK 5/8-11 PLT		
22.	803-367C	NUT HEX TOP LOCK 3/4-10 PLT		
23.	804-007C	WASHER FLAT 1/4 SAE PLT		
24.	804-019C	WASHER FLAT 5/8 USS PLT		
25.	804-028C	WASHER FLAT 1 USS PLT		
26.	804-035C	WASHER FLAT 1 1/4 USS PLT		
27.	805-021C	PIN COTTER 1/4 X 2 PLT		
28.	805-041C	PIN ROLL 1/4X1 3/4		
29.	805-104C	PIN COTTER 3/16 X 1 1/2 PLT		
30.	805-155C	PIN WIRE RETAIN 5/16 X 2 1/2		
31.	805-207C	PIN 7/8 OD X 4 15/32 USABLE		
32.	805-406C	PIN 7/8 X 5 3/8 USBLE PLT		
33.	807-274C	SPRING COMP 2.5OD .5W 4.5L		
34.	807-275C	SPRING COMP 2.5OD .5W 8.5L		
35.	812-329C	CASTING TRUNION DISC LEVELING		
36.	816-504C	MANUAL STORAGE CONTAINER		
37.	890-118C	SCREW JACK 2000# 14-24 TOP-WND	Optional	
38.	890-182C	SAFETY CHAIN 10000 LB		

Hydraulic Cylinder (810-624C) Midway

Applies to DH3510, DH3512



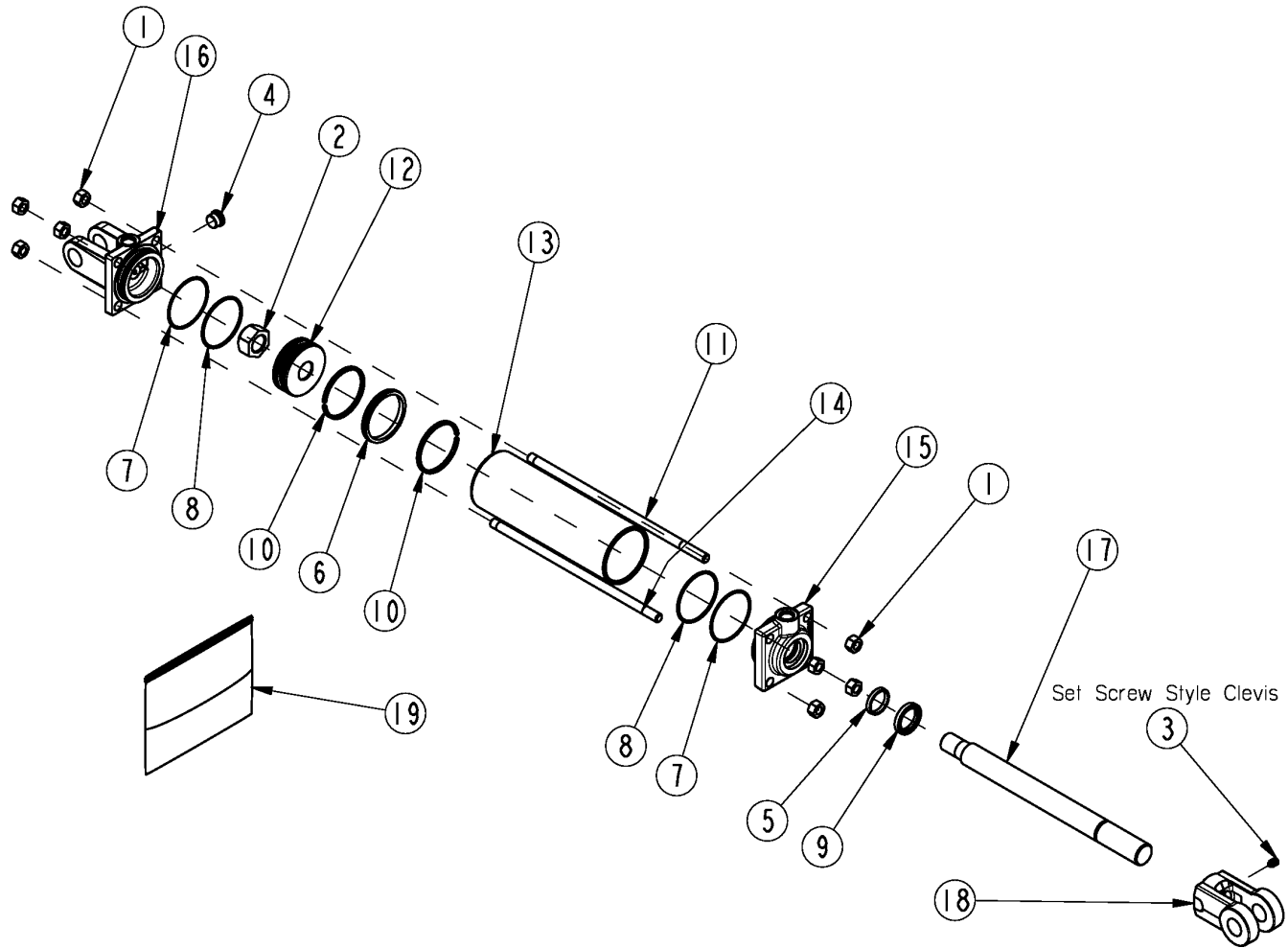
12499

Hydraulic Cylinder (810-624C) Midway**Applies to DH3510, DH3512**

Ref	Part No.	Part Description	Comments	Revision
	Dwg 12499	Drawing Image Number		
	810-624C	CYL 3X8X1.25 ROD (TIE) NO PINS *		
1.	6R1164-ADI	MIDWAY ADI BASE		
1.	6M4166	RPBY 6R1164-ADI		
2.	2A0014	MW TIE ROD NUT		
3.		O-RING	Only found in sealkit 17	
4.	7M4316	MW TIE ROD 3 X 8 CYLINDER		
5.	5M4116	MW TUBE 3 X 8 CYLINDER		
6.	2A0006	MW CAPSCREW		
7.	1M6010-ADI	MIDWAY HARDENED CLEVIS ADI		
8.	2A0012	MW NUT CLEVIS & TIE ROD		
9.	2M4416	MW ROD 1-1/4 DIA X 8 STROKE		
10.		WIPER	Only found in sealkit 17	
11.		BACK-UP	Only found in sealkit 17	
12.		O-RING	Only found in sealkit 17	
13.	3M4412	MW HEAD CAP 3X1-1/4 ROD 3/4SAE		
14.		BACK-UP	Only found in sealkit 17	
15.	4M4104	MW PISTON 3 DIA.		
16.	2A0024	MW PISTON NUT 1-14		
17.	810-015C	CYL SEAL KIT 3 X 7 MW 3A4104		

Hydraulic Cylinder (810-624C) Red Lion

Applies to DH3510, DH3512

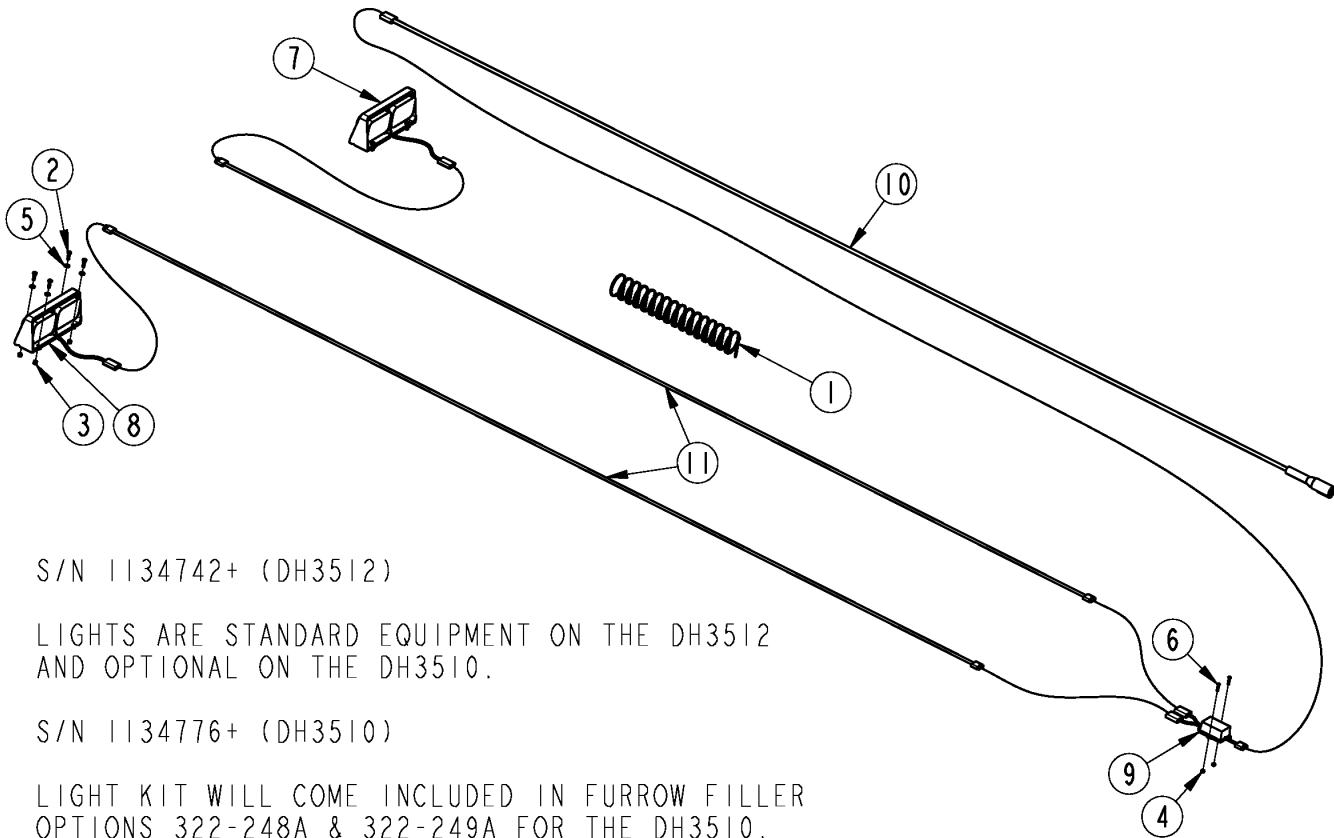


Hydraulic Cylinder (810-624C) Red Lion**Applies to DH3510, DH3512**

Ref	Part No.	Part Description	Comments	Revision
	Dwg 25896	Drawing Image Number		
	810-624C	CYL 3X8X1.25 ROD (TIE) NO PINS *		
1.	803-020C	NUT HEX 1/2-13 PLT		
2.	130560	MON PISTON NUT		
3.	801-023C	SCREW SET SH 3/8-16X3/8 TYPE C		
4.	186562	LION PLUG 3/4-16UNF SOCKET HD		
5.	N/A	MON ROD SEAL	Only found in seal kit #19	
6.	N/A	MON PISTON SEAL (PSP)	Only found in seal kit #19	
7.	N/A	MON END CAP B/U WASHER	Only found in seal kit #19	
8.	N/A	MON END CAP O-RING	Only found in seal kit #19	
9.	N/A	SEAL WIPER ROD	Only found in seal kit #19	
10.	N/A	MON PISTON WEAR RING	Only found in seal kit #19	
11.	292003	MON TIE ROD EXTND THD		
12.	258818	MON PISTON 2.50-.750-TSS-ISO-WR		
13.	491738	MON CYL TUBE		
14.	492278	MON TIE ROD		
15.	494391	MON ROD CP2.50-1.12-9/16ORB-TS		
16.	492675	MON CLEVIS CAP		
17.	493211	MON CYL ROD		
18.	493830	LION HARDENED ROD CLEVIS 1 1/4		
19.	810-887C	MON SEAL KIT 661702		

Lights

Applies to DH3512



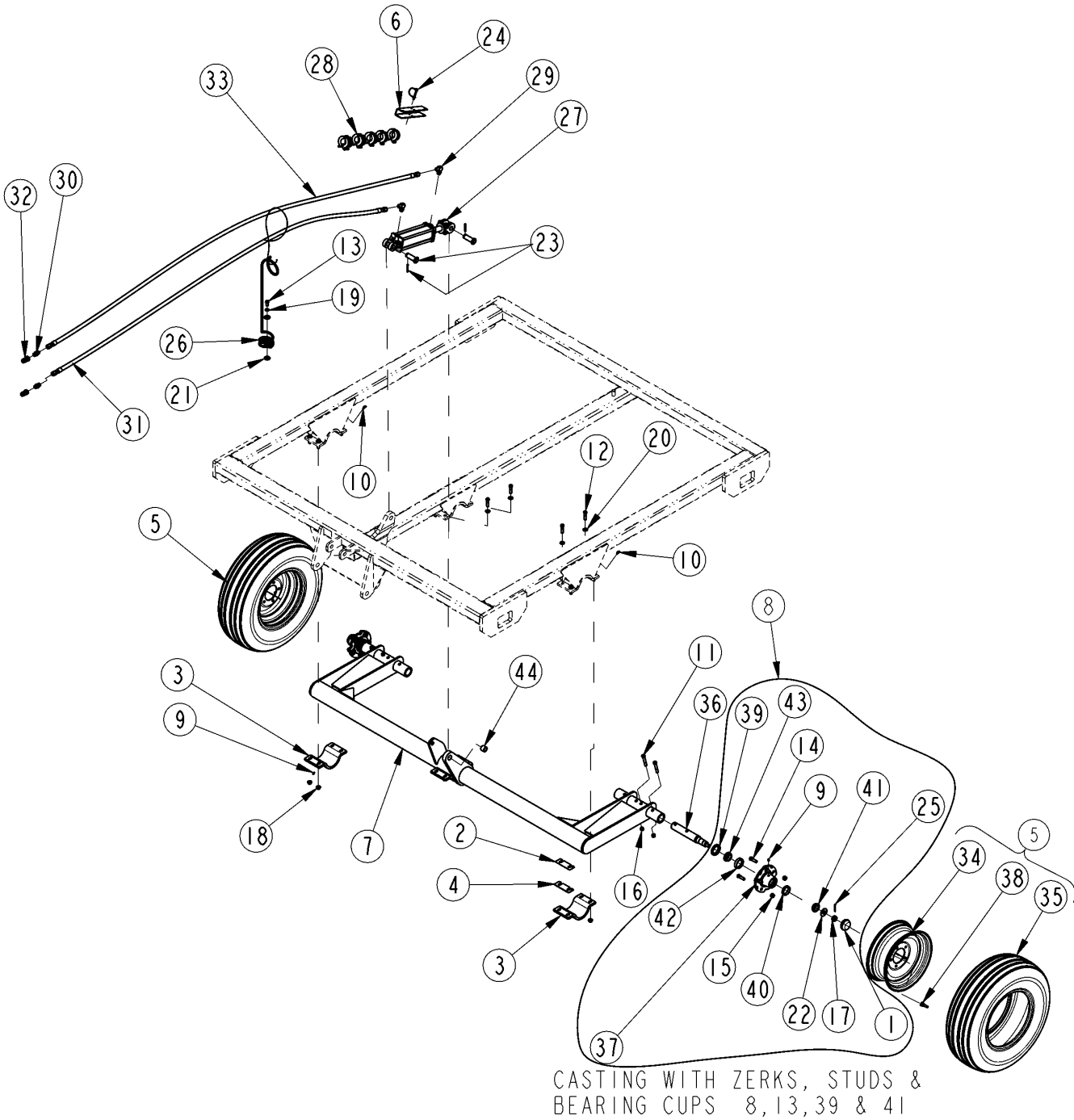
Lights

Applies to DH3512

Ref	Part No.	Part Description	Comments	Revision
	Dwg 70020 322-367L	Image No. DISC HARROW LIGHT KIT *	Lights are standard at S/N 1134742+	
1.	800-060C	CABLE TIE .19X14.25 3DIA 50LB		
2.	802-005C	HHCS 1/4-20X1 GR5		
3.	803-255C	NUT HEX NYLOCK 1/4-20		
4.	803-268C	NUT HEX NYLOCK 10-24 PLT		
5.	804-007C	WASHER FLAT 1/4 SAE PLT		
6.	842-265C	HHCS #10-24X1 GR5		
7.	891-522C	DUAL LED LIGHT LH	Complete light assembly	
7.	J-37-R	RED LED LENS MODULE	Red lens	
7.	J-37-A	AMBER LED LENS MODULE	Amber lens	
7.	J-AC1-15-B	BLACK LENS COVER	Black lens	
8.	891-523C	DUAL LED LIGHT RH	Complete light assembly	
8.	J-37-R	RED LED LENS MODULE	Red lens	
8.	J-37-A	AMBER LED LENS MODULE	Amber lens	
8.	J-AC1-15-B	BLACK LENS COVER	Black lens	
9.	891-531C	ENHANCE MODULE		
10.	891-533C	LEAD WIRE HARNESS 13'		
11.	891-792C	LIGHT WIRE HARNESS 12'		

Transport Axle

Applies to DH3510, DH3512



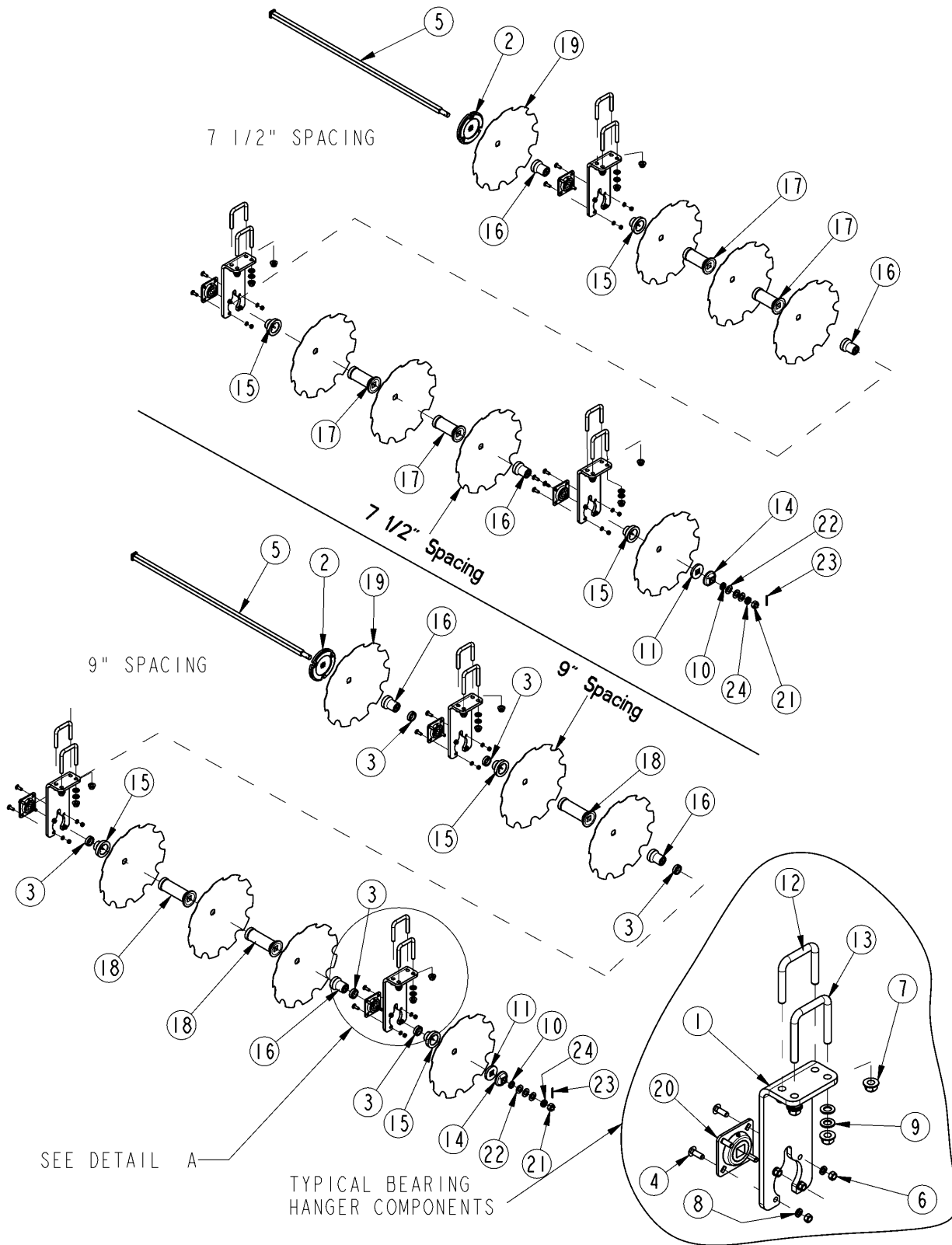
25968

Transport Axle**Applies to DH3510, DH3512**

Ref	Part No.	Part Description	Comments	Revision
	dwg25968	Drawing Image Number		
1.	200-001D	HUB GREASE CAP		
2.	312-139D	SHIM 20GA ROCKSHAFT	As Required	
3.	312-445D	CAP TOP HALF		
4.	312-547D	SHIM 12GA ROCKSHAFT	As Required	
5.	313-071S	TRANSPORT WHEEL & TIRE ASSY		
6.	318-775D	SHIPPING BRACKET, CYL ASSIST		
7.	322-206H	AXLE WELDMENT		
8.	322-288K	HUB 5-BOLT COMPLETE W/ANG NUTS		
9.	800-080C	GREASE ZERK 1/4-28 THD FORMING		
10.	800-136C	ZERK 1/4-28 X 45 DEG SELF-TAP		
11.	802-099C	HHCS 1/2-13X3 1/4 GR5		
12.	802-128C	HHCS 1/2-13X2 GR5		
13.	802-258C	HHCS 1/2-13X1 GR5		
14.	802-779C	HUB STUD 1/2-20X1.88 GR5		
15.	803-017C	NUT LUG 1/2-20X90DEG PLT 13/16		
16.	803-019C	NUT LOCK 1/2-13 PLT		
17.	803-053C	NUT HEX SLOTTED 3/4-16		
18.	803-169C	NUT HEX FLG. LOCK 1/2-13 PLT.		
19.	804-015C	WASHER LOCK SPRING 1/2 PLT		
20.	804-016C	WASHER FLAT 1/2 SAE PLT		
21.	804-017C	WASHER FLAT 1/2 USS PLT		
22.	804-216C	WASHER HARDENED .81ID		
23.	805-004C	PIN CLEVIS 1 X 2 3/4 USABLE LG		
24.	805-065C	PIN WIRE RETAINING 1/4 X 1 3/4		
25.	805-246C	PIN COTTER 5/32 X 1 3/4 LG		
26.	807-073C	SPRING HOSE LOOP HEAVY		
27.	810-624C	CYL 3X8X1.25 ROD (TIE) NO PINS		
28.	810-818C	STRK CNTRL SPCRS 1.125 TO 1.50		
29.	811-063C	EL 3/4MJIC 3/4MORB		
30.	811-088C	AD 3/4MORB 3/4MJIC		
31.	811-127C	HH3/8R2 111 3/4FJIC		
32.	811-394C	CP 3/4FORB MALE QD POPPET TYPE		
33.	811-897C	HH3/8R2 123 3/4FJIC		
34.	814-005C	WHEEL 6 X 15 X 5 BOLT		
35.	814-011C	TIRE 9.5 L X 15 8 PLY		
36.	815-237C	SPINDLE-SINGLE BOLT-ON		
37.	815-243C	HUB 5-BOLT W/CUPS/STUDS		
38.	816-035C	VALVE STEM TR415X.625X1 1/4 LG		
39.	816-497C	SEAL 1.75ID CR17617		
40.	822-020C	BRG CUP LM-67010		
41.	822-021C	BRG CONE 1.25ID LM-67048		
42.	822-033C	BRG CUP LM-48510		
43.	822-034C	BRG CONE LM-48548		
44.	890-005C	BUSHING CYL 1 1/4 X 1 X 1	S/N 584821+	

Disc Gang (DH3510)

Applies to DH3510



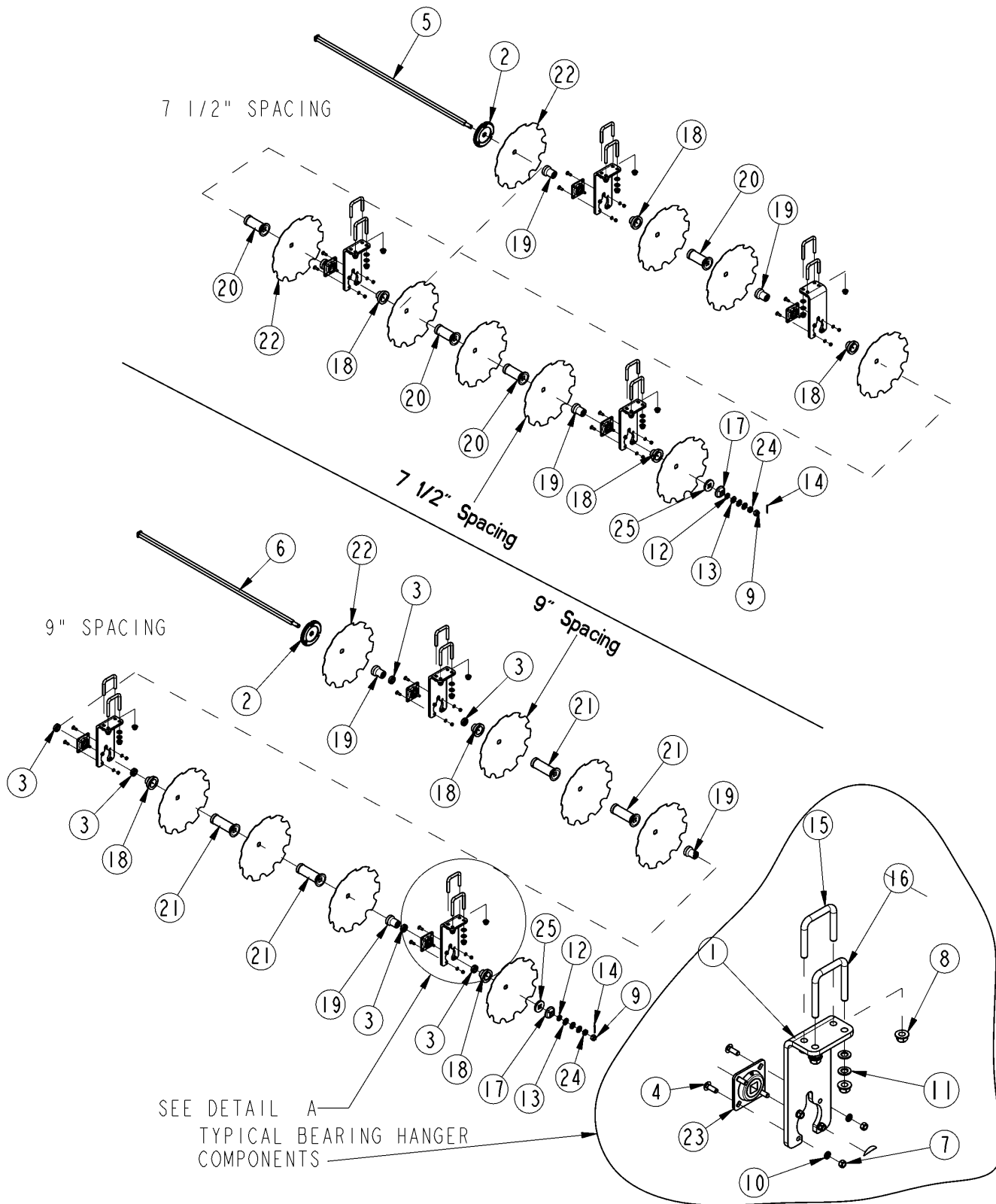
25969

Disc Gang (DH3510)**Applies to DH3510**

Ref	Part No.	Part Description	Comments	Revision
	dwg25969	Drawing Image Number		
	322-189S	8-20IN NOTCHED 7 1/2 DISC SUB		
	322-190S	8-20IN SMOOTH 7 1/2 DISC SUB		
	322-191S	7-20IN NOTCHED 9 DISC SUB		
	322-192S	7-20IN SMOOTH 9 DISC SUB		
	322-193S	8-22IN NOTCHED 7 1/2 DISC SUB		
	322-194S	8-22IN SMOOTH 7 1/2 DISC SUB		
	322-195S	7-22IN NOTCHED 9 DISC SUB		
	322-196S	7-22IN SMOOTH 9 DISC SUB		
		*		
1.	322-156D	BRACKET HANGER HVY DUTY		
2.	812-351C	BOLT FLNG DISC CASTING DUCTILE	S/N 966669+	
2.	322-230H	RPBY 812-351C	Effective after 8/3/15 S/N 966668-	
3.	322-236D	SPACER 2 1/4OD X9/32WLX19/32LG		
4.	802-106C	RHSNB 1/2-13X1 1/2 GR5		
5.	802-857C	SP SQHD 1 1/8 SQ.SHANK 57.88		
6.	803-020C	NUT HEX 1/2-13 PLT		
7.	803-299C	NUT HEX FLG TOP LK 3/4-10 PLT		
8.	804-015C	WASHER LOCK SPRING 1/2 PLT		
9.	804-025C	WASHER FLAT 3/4 SAE PLT		
10.	804-027C	WASHER LOCK SPRING 1 PLT		
11.	804-281C	WASHER CONCAVE1.69IDX4.4DX.38T	S/N 966669+	
11.	322-345D	SPACER PLT 1 1/8 SQ INSIDE	S/N 743657 TO S/N 966668-	
11.	804-071C	WASHER FLAT 1 1/2 SAE PLT	S/N 743656-	
12.	806-007C	U-BOLT 3/4-10X4 1/32X4 1/2		
13.	806-012C	U-BOLT 3/4-10X4 1/32X5 3/8		
14.	812-489C	DISC SMALL CAP CAST HVY 1.17SQ	S/N 966669+	
14.	812-284C	DISC SMALL CAP CASTING 1 1/8SQ	S/N 966668-	
15.	812-490C	DISC 2.3LG SPCR CST HVY 1.17SQ	S/N 966669+	
15.	812-285C	DISC 2 3/8LG SPCR CAST 1 1/8SQ	S/N 966668-	
16.	812-491C	DISC 3.6LG SPCR CST HVY 1.17SQ	S/N 966669+	
16.	812-286C	DISC 3 5/8LG SPCR CAST 1 1/8SQ	S/N 966668-	
17.	812-492C	DISC 7.4LG SPCR CST HVY 1.17SQ	S/N 966669+	
17.	812-287C	DISC 7 7/16LG SPCR CAST1 1/8SQ	S/N 966668-	
18.	812-493C	DISC 9 LG SPCR CAST HVY 1.17SQ	S/N 966669+	
18.	812-289C	DISC 9LG SPACER CAST 1 1/8 SQ	S/N 966668-	
19.	820-225C	20IN 3.5MM PLAIN DISC BLD SQHL		
19.	820-226C	20IN 3.5MM NOTCH DISC BLD SQHL		
19.	820-227C	22IN 4MM PLAIN DISC BLADE SQHL		
19.	820-228C	22IN 4MM NOTCHED DISC BLD SQHL		
20.	822-233C	BRG FLG 1.12SQ 4BLT TRI-SEAL		
21.	803-371C	NUT CASTLE 1-8 PLT		
22.	804-029C	WASHER FLAT 1 SAE	As Required	
23.	805-094C	PIN COTTER 3/16 X 2 1/4 PLT		
24.	827-001C	SPACER 1/2		

Disc Gang (DH3512)

Applies to DH3512



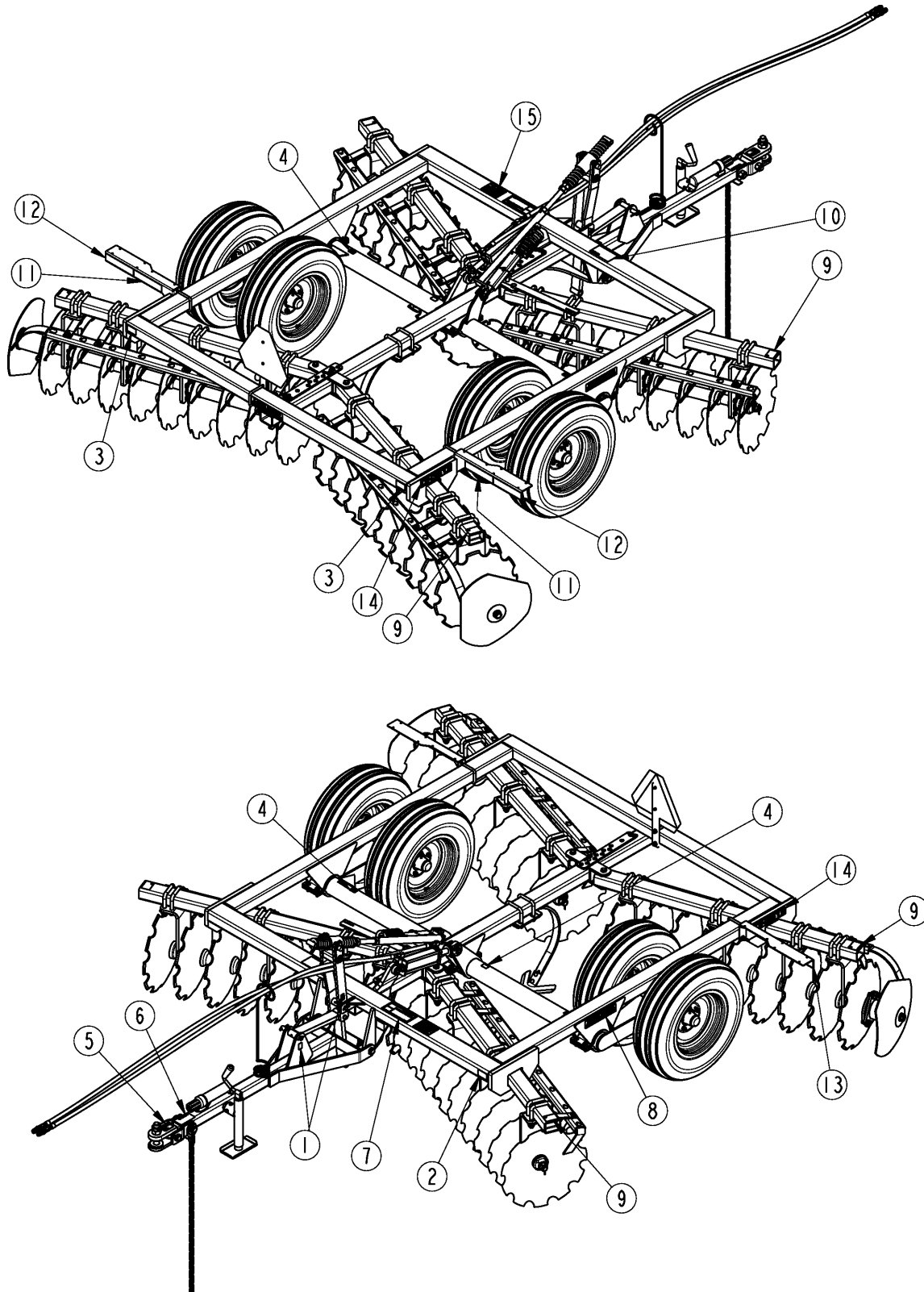
25970

Disc Gang (DH3512)**Applies to DH3512**

Ref	Part No.	Part Description	Comments	Revision
	dwg25970	Drawing Image Number		
	322-197S	9-20IN NOTCHED 7 1/2 DISC SUB		
	322-198S	9-20IN SMOOTH 7 1/2 DISC SUB		
	322-199S	8-20IN NOTCHED 9 DISC SUB		
	322-200S	8-20IN SMOOTH 9 DISC SUB		
	322-201S	9-22IN NOTCHED 7 1/2 DISC SUB		
	322-202S	9-22IN SMOOTH 7 1/2 DISC SUB		
	322-203S	8-22IN NOTCHED 9 DISC SUB		
	322-204S	8-22IN SMOOTH 9 DISC SUB		
		*		
1.	322-156D	BRACKET HANGER HVY DUTY		
2.	812-351C	BOLT FLNG DISC CASTING DUCTILE	S/N 966669+	
2.	322-230H	RPBY 812-351C	Effective after 8/03/15 S/N 966668-	
3.	322-236D	SPACER 2 1/4OD X.344WLX19/32LG		
4.	802-106C	RHSNB 1/2-13X1 1/2 GR5		
5.	802-851C	SP SQHD 1 1/8 SQ.SHANK 65.12		
6.	802-856C	SP SQHD 1 1/8 SQ.SHANK 67.25		
7.	803-020C	NUT HEX 1/2-13 PLT		
8.	803-299C	NUT HEX FLG TOP LK 3/4-10 PLT		
9.	803-371C	NUT CASTLE 1-8 PLT		
10.	804-015C	WASHER LOCK SPRING 1/2 PLT		
11.	804-025C	WASHER FLAT 3/4 SAE PLT		
12.	804-027C	WASHER LOCK SPRING 1 PLT		
13.	804-029C	WASHER FLAT 1 SAE	As Required	
14.	805-094C	PIN COTTER 3/16 X 2 1/4 PLT		
15.	806-007C	U-BOLT 3/4-10X4 1/32X4 1/2		
16.	806-012C	U-BOLT 3/4-10X4 1/32X5 3/8		
17.	812-489C	DISC SMALL CAP CAST HVY 1.17SQ	S/N 966669+	
17.	812-284C	DISC SMALL CAP CASTING 1 1/8SQ	S/N 966668-	
18.	812-490C	DISC 2.3LG SPCR CST HVY 1.17SQ	S/N 966669+	
18.	812-285C	DISC 2 3/8LG SPCR CAST 1 1/8SQ	S/N 966668-	
19.	812-491C	DISC 3.6LG SPCR CST HVY 1.17SQ	S/N 966669+	
19.	812-286C	DISC 3 5/8LG SPCR CAST 1 1/8SQ	S/N 966668-	
20.	812-492C	DISC 7.4LG SPCR CST HVY 1.17SQ	S/N 966669+	
20.	812-287C	DISC 7 7/16LG SPCR CAST1 1/8SQ	S/N 966668-	
21.	812-493C	DISC 9 LG SPCR CAST HVY 1.17SQ	S/N 966669+	
21.	812-289C	DISC 9LG SPACER CAST 1 1/8 SQ	S/N 966668-	
22.	820-225C	20IN 3.5MM PLAIN DISC BLD SQHL		
22.	820-226C	20IN 3.5MM NOTCH DISC BLD SQHL		
22.	820-227C	22IN 4MM PLAIN DISC BLADE SQHL		
22.	820-228C	22IN 4MM NOTCHED DISC BLD SQHL		
23.	822-233C	BRG FLG 1.12SQ 4BLT TRI-SEAL		
24.	827-001C	SPACER 1/2		
25.	804-281C	WASHER CONCAVE1.69IDX4.4DX.38T	S/N 966669+	
25.	322-345D	SPACER PLT 1 1/8 SQ INSIDE	S/N 743657 TO S/N 966668-	

Decal Placement

Applies to DH3510, DH3512



25972

Decal Placement**Applies to DH3510, DH3512**

Ref	Part No.	Part Description	Comments	Revision
	Dwg 25972	Drawing Image Number		
1.	818-298C	DECAL GREASE 25HRS BLACK/WHITE		
2.	818-229C	DECAL AMBER REFLECTOR	S/N 813016-	
3.	818-230C	DECAL RED REFLECTOR	S/N 813016-	
4.	818-298C	DECAL GREASE 25HRS BLACK/WHITE		
5.	838-588C	FOLDING CUTTER SPEED WARNING		
6.	818-719C	DECAL CAUTION GENERAL INSTR		
7.	818-831C	DECAL WARNING HIGH PRESSURE		
8.	818-897C	RPBY 848-159C	Beige Unit	
8.	848-159C	DECAL LANDPRIDE 10" BROWN/GOLD	Orange Unit	
9.	838-093C	DECAL SHARP OBJ HAZARD DISCS		
10.	838-293C	DECAL WARNING READ MANUAL		
11.	838-603C	DECAL REFLECTOR ORANGE 2X9	S/N 813017+	
12.	838-614C	DECAL REFLECTOR RED 2X9	S/N 813017+	
13.	838-615C	DECAL REFLECTOR AMBER 2X9	S/N 813017+	
14.	848-244C	DECAL DH3512 GOLD		
14.	848-246C	RPBY 848-244C	Obsolete	
14.	848-243C	DECAL DH3510 GOLD		
14.	848-245C	RPBY 848-243C	Obsolete	
15.	848-247C	DECAL WARNING CRUSH/FLLNG BLD		

Land Pride Touch-up Paints

Applies to DH3510, DH3512

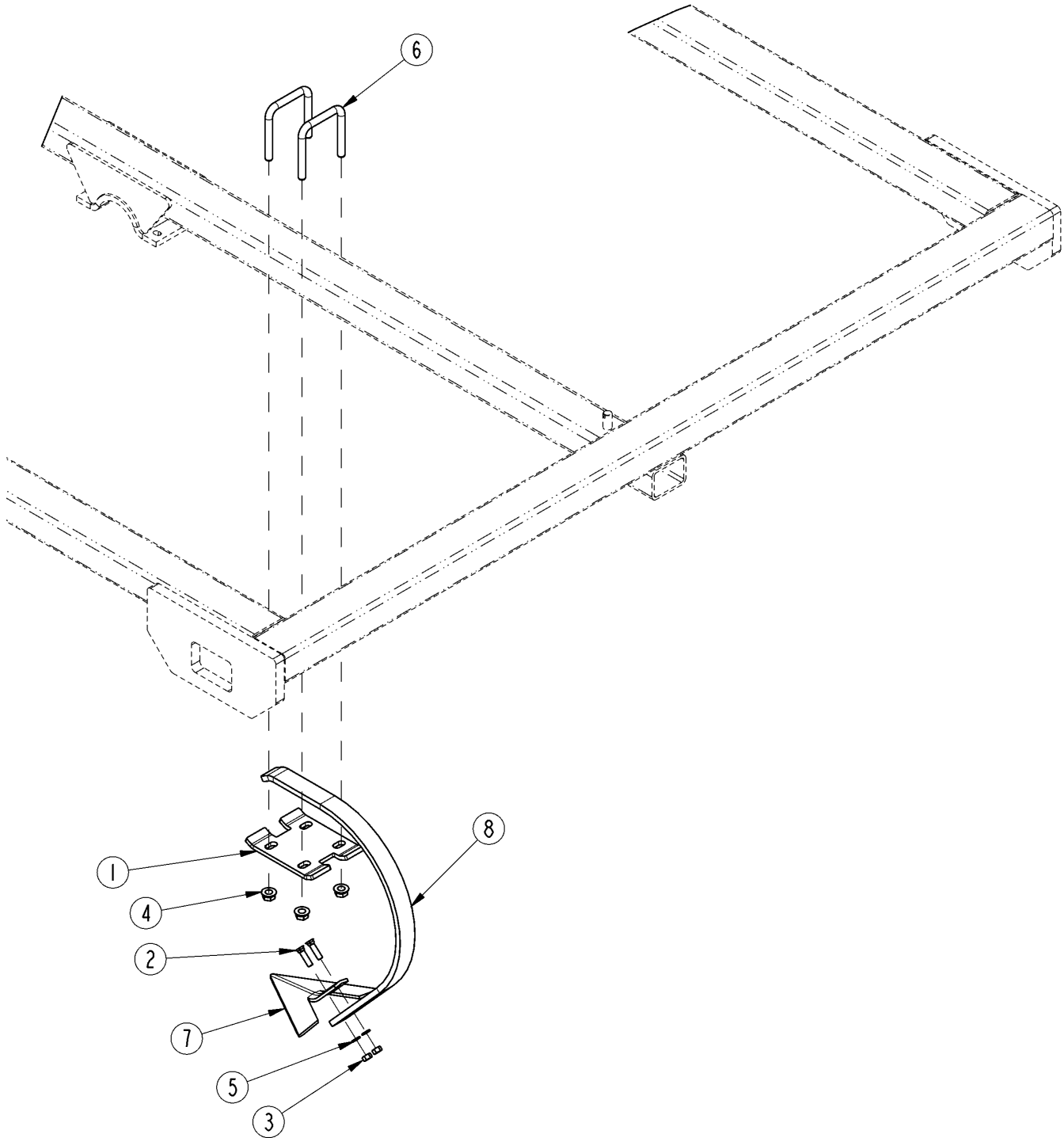
No diagram associated with this Parts List

Land Pride Touch-up Paints**Applies to DH3510, DH3512**

Ref	Part No.	Part Description	Comments	Revision
1.	821-011C	LP BEIGE SPRAY CAN	Spray can	
1.	821-070C	GLOSS BLACK SPRAY CAN	Spray can	
1.	821-054C	MED. RED SPRAY TRCK/CTR	Spray can	
1.	821-058C	GREEN SPRAY CUTTERS	Spray can	
1.	821-066C	ORANGE SPRAY CAN	Spray can	
1.	821-067C	BLUE SPRAY CAN	Spray can	
1.	821-080C	PAINT ALUMINUM/ZINC SPRAY CAN	Spray can	
2.	821-011CTU	LP BEIGE TOUCH-UP 5OZ	Touch-up bottle with brush	
2.	821-070CTU	GLOSS BLACK TOUCH-UP 5OZ	Touch-up bottle with brush	
2.	821-054CTU	MED RED TOUCH-UP 5OZ	Touch-up bottle with brush	
2.	821-058CTU	GREEN TOUCH-UP 5OZ	Touch-up bottle with brush	
2.	821-066CTU	ORANGE TOUCH-UP 5OZ	Touch-up bottle with brush	
2.	821-067CTU	BLUE TOUCH-UP 5OZ	Touch-up bottle with brush	
2.	821-080CTU	PAINT ALUMINUM/ZINC TOUCH UP	Touch-up bottle with brush	
3.	821-011CQT	LP BEIGE QUART	Quart can	
3.	821-070CQT	GLOSS BLACK QUART	Quart can	
3.	821-054CQT	MED RED QUART	Quart can	
3.	821-058CQT	GREEN QUART	Quart can	
3.	821-066CQT	ORANGE QUART	Quart can	
3.	821-067CQT	BLUE QUART	Quart can	
3.	821-080CQT	PAINT ALUMINUM/ZINC QUART	Quart can	
4.	821-011CGL	LP BEIGE GALLON	Gallon can	
4.	821-070CGL	GLOSS BLACK GALLON	Gallon can	
4.	821-054CGL	MED RED GALLON	Gallon can	
4.	821-058CGL	GREEN GALLON	Gallon can	
4.	821-066CGL	ORANGE GALLON	Gallon can	
4.	821-067CGL	BLUE GALLON	Gallon can	
4.	821-080CGL	PAINT ALUMINUM/ZINC GALLON	Gallon can	

Center Sweep

Applies to DH3510, DH3512



26526

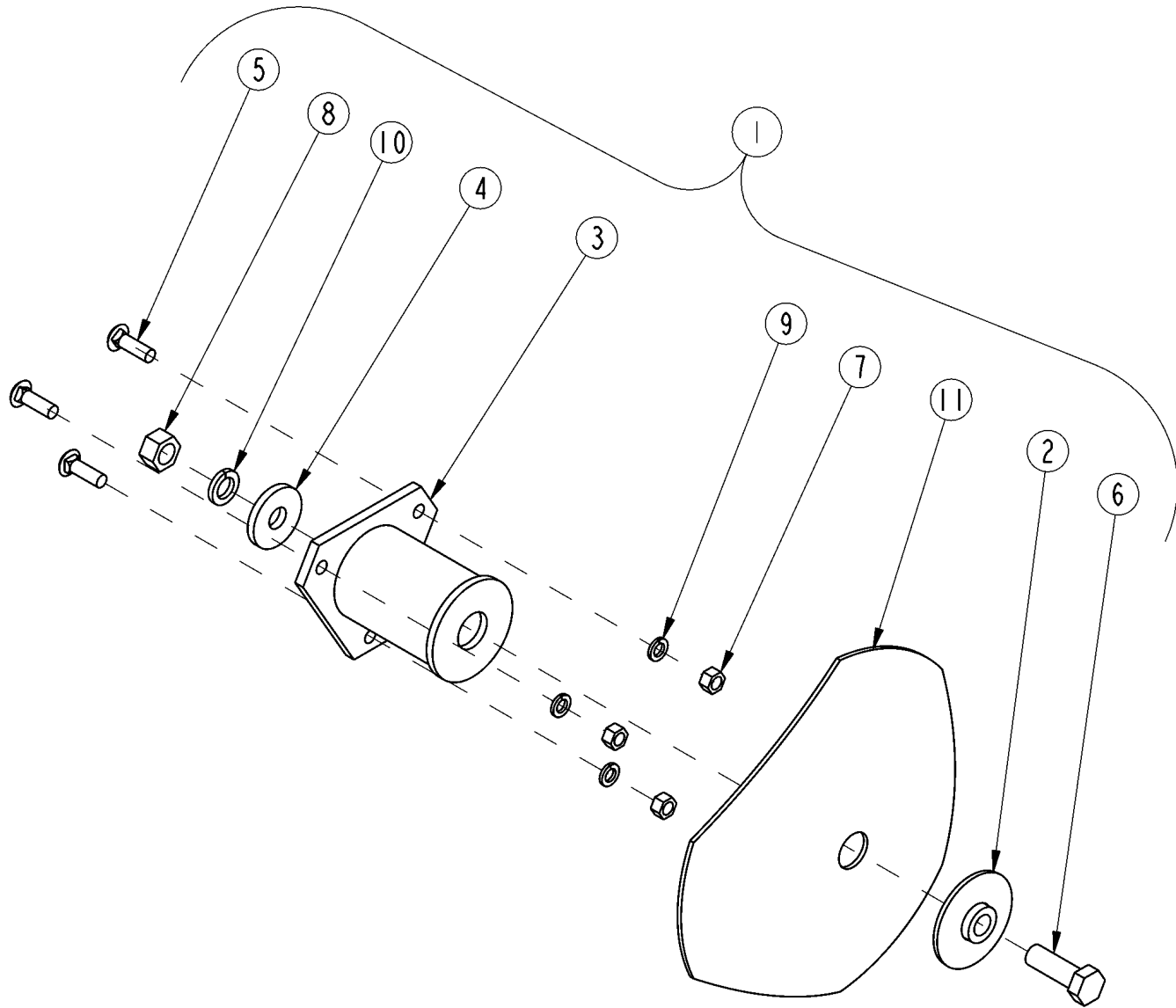
Center Sweep

Applies to DH3510, DH3512

Ref	Part No.	Part Description	Comments	Revision
	dwg26526	Drawing Image Number		
	322-059A	DH25/35 CENTER SWEEP ASY *		
1.	322-042D	DISC SWEEP SPRING BKT		
2.	802-122C	PLOW 7/16-14X1 3/4 GR5 #3		
3.	803-015C	NUT HEX 7/16-14 PLT		
4.	803-263C	NUT HEX FLANGE LOCK 5/8-11 PLT		
5.	804-014C	WASHER LOCK 7/16 PLT		
6.	806-161C	U-BOLT 5/8-11 X 4 1/32 X 4 3/4		
7.	820-064C	CULTVTR SWEEP 9 IN HARD FACED		
8.	820-240C	DISC HARROW SWEEP ARM LONG		

Furrow Filler 18" Dia.

Applies to DH3510, DH3512



25980

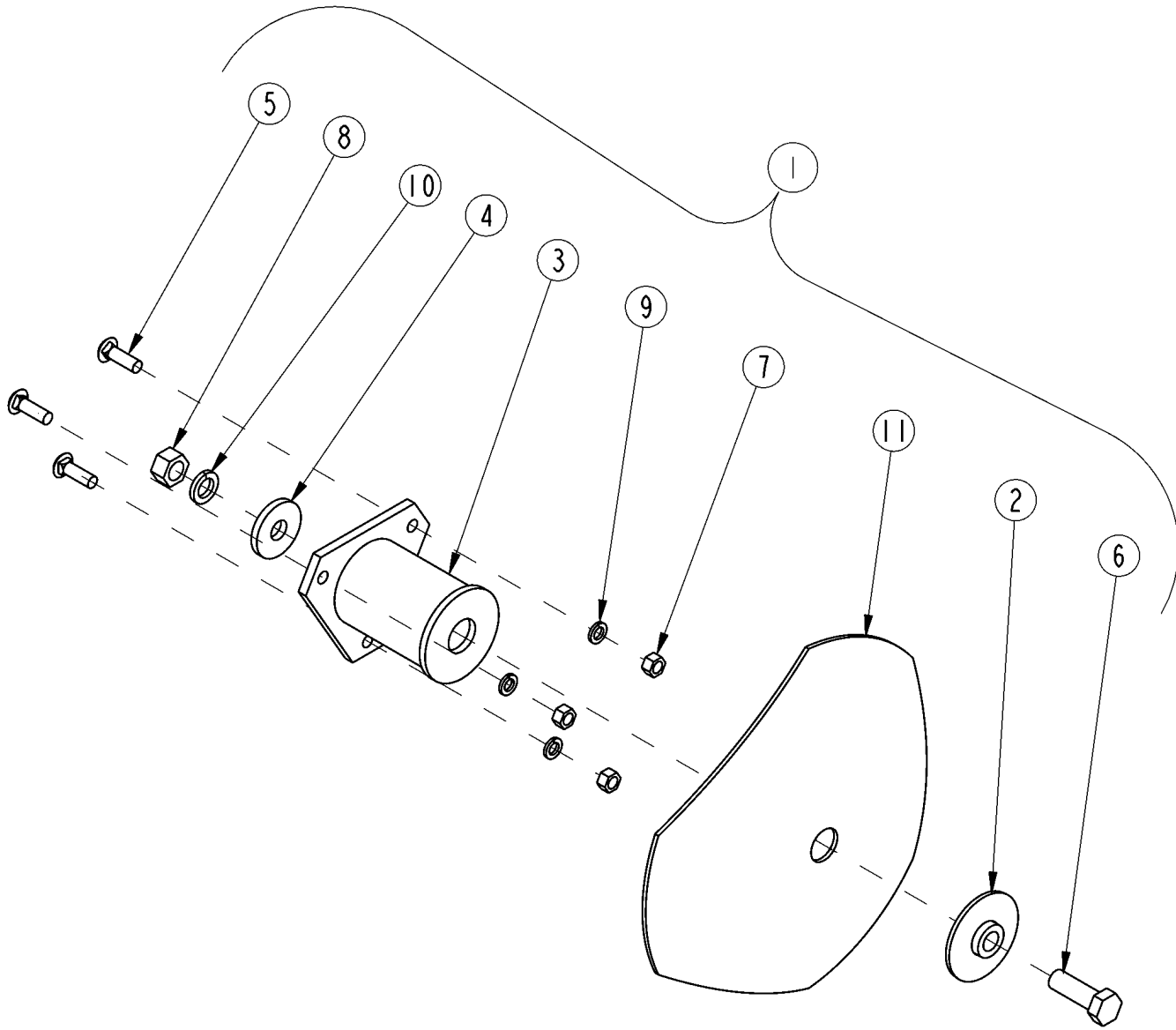
Furrow Filler 18" Dia.

Applies to DH3510, DH3512

Ref	Part No.	Part Description	Comments	Revision
	dwg25980	Drawing Image Number		
1.	322-185S	18" FURROW FILLER		
2.	556-091H	FURROW FILLER SPACER		
3.	556-122H	BREAK AWAY SPOOL 7 1/2"		
4.	580-186D	PART - 180 DEGREE FOLD ROLLER		
5.	802-088C	RHSNB 5/8-11X2 GR5		
6.	802-345C	HHCS 1-8X3 GR8		
7.	803-021C	NUT HEX 5/8-11 PLT		
8.	803-031C	NUT HEX 1-8 PLT		
9.	804-022C	WASHER LOCK SPRING 5/8 PLT		
10.	804-027C	WASHER LOCK SPRING 1 PLT		
11.	820-362C	BLADE DISC 18RC 3-SIDED		

Furrow Filler 20" Dia.

Applies to DH3510, DH3512



25981

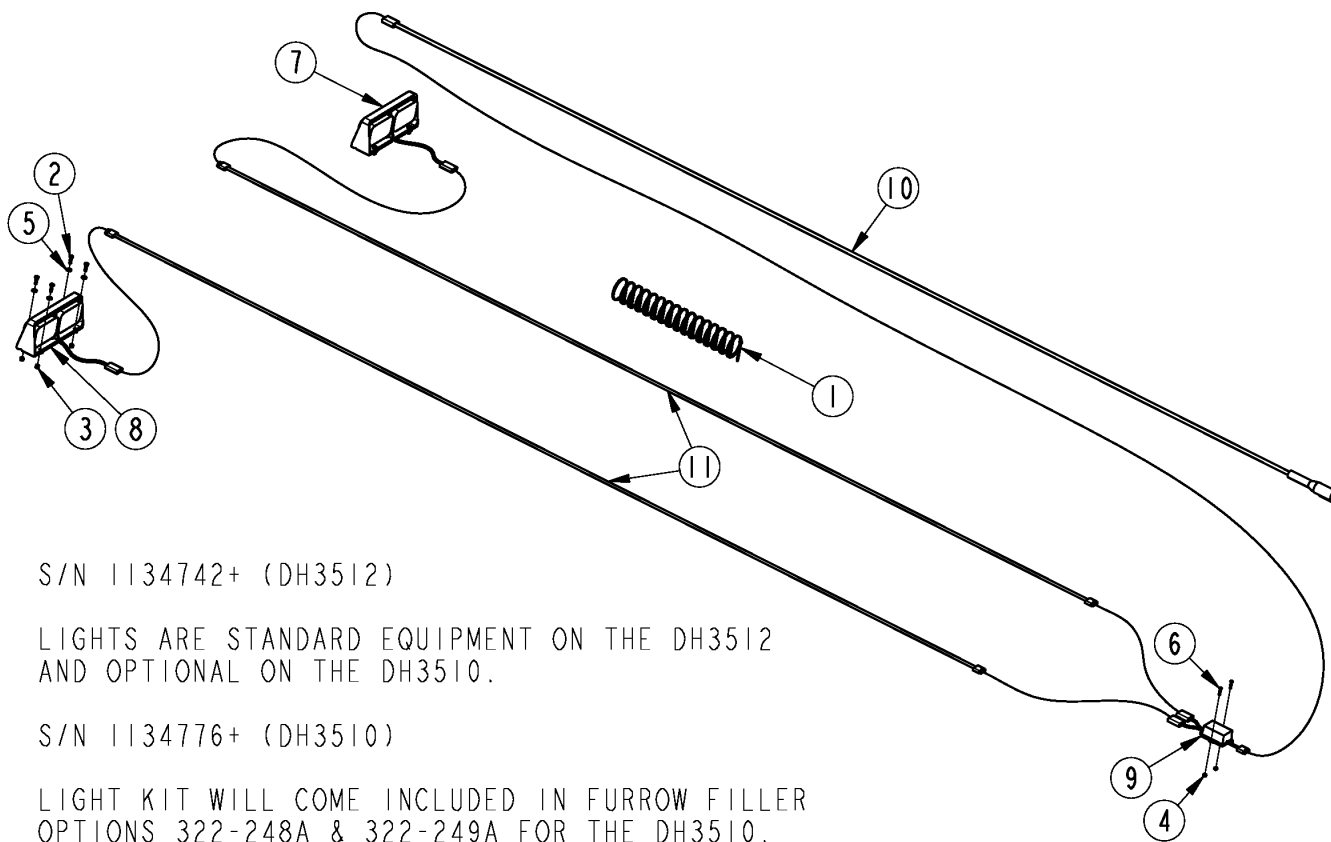
Furrow Filler 20" Dia.

Applies to DH3510, DH3512

Ref	Part No.	Part Description	Comments	Revision
	dwg25981	Drawing Image Number		
1.	322-186S	20" FURROW FILLER		
2.	556-091H	FURROW FILLER SPACER		
3.	556-122H	BREAK AWAY SPOOL 7 1/2"		
4.	580-186D	PART - 180 DEGREE FOLD ROLLER		
5.	802-088C	RHSNB 5/8-11X2 GR5		
6.	802-345C	HHCS 1-8X3 GR8		
7.	803-021C	NUT HEX 5/8-11 PLT		
8.	803-031C	NUT HEX 1-8 PLT		
9.	804-022C	WASHER LOCK SPRING 5/8 PLT		
10.	804-027C	WASHER LOCK SPRING 1 PLT		
11.	820-361C	BLADE DISC 20RC 3-SIDED		

Light Kit

Applies to DH3510



S/N 1134742+ (DH3512)

LIGHTS ARE STANDARD EQUIPMENT ON THE DH3512 AND OPTIONAL ON THE DH3510.

S/N 1134776+ (DH3510)

LIGHT KIT WILL COME INCLUDED IN FURROW FILLER OPTIONS 322-248A & 322-249A FOR THE DH3510.

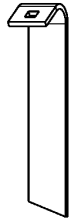
Light Kit**Applies to DH3510**

Ref	Part No.	Part Description	Comments	Revision
	Dwg 70020 322-367L	Image No. DISC HARROW LIGHT KIT	Light kits are optional for DH10 and are included with furrow filler options at S/N 1134776+ for the DH10	
		*		
1.	800-060C	CABLE TIE .19X14.25 3DIA 50LB		
2.	802-005C	HHCS 1/4-20X1 GR5		
3.	803-255C	NUT HEX NYLOCK 1/4-20		
4.	803-268C	NUT HEX NYLOCK 10-24 PLT		
5.	804-007C	WASHER FLAT 1/4 SAE PLT		
6.	842-265C	HHCS #10-24X1 GR5		
7.	891-522C	DUAL LED LIGHT LH	Complete light assembly	
7.	J-37-R	RED LED LENS MODULE	Red lens	
7.	J-37-A	AMBER LED LENS MODULE	Amber lens	
7.	J-AC1-15-B	BLACK LENS COVER	Black lens	
8.	891-523C	DUAL LED LIGHT RH	Complete light assembly	
8.	J-37-R	RED LED LENS MODULE	Red lens	
8.	J-37-A	AMBER LED LENS MODULE	Amber lens	
8.	J-AC1-15-B	BLACK LENS COVER	Black lens	
9.	891-531C	ENHANCE MODULE		
10.	891-533C	LEAD WIRE HARNESS 13'		
11.	891-792C	LIGHT WIRE HARNESS 12'		

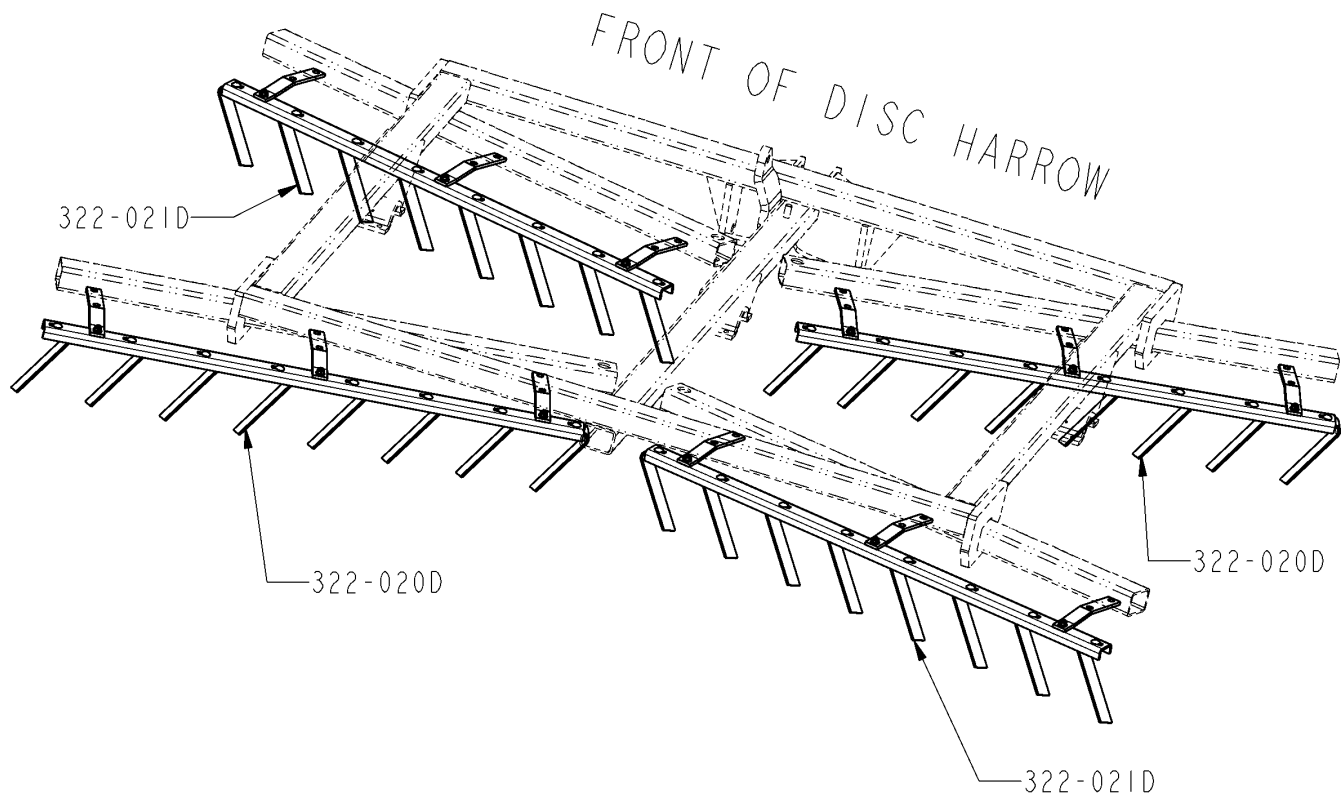
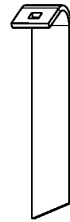
Scraper Identifaction Drawing

Applies to DH3510, DH3512

322-021D



322-020D



27560

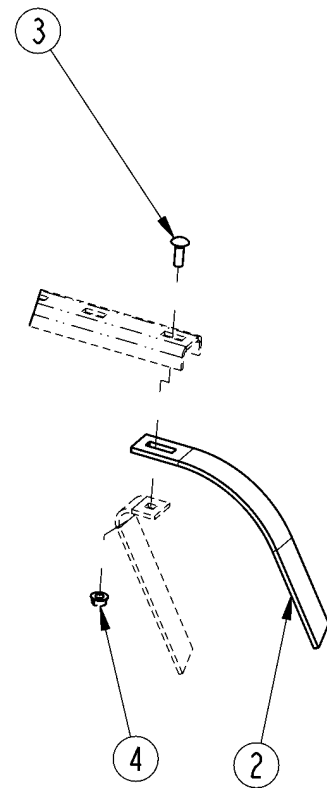
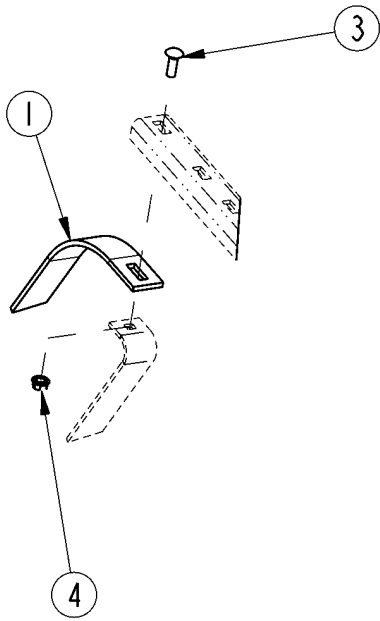
Scraper Identification Drawing

Applies to DH3510, DH3512

Ref	Part No.	Part Description	Comments	Revision
	dwg27560	Drawing Image Number No Parts Listing Required		

Scraper Kit Furrow Filler

Applies to DH3510, DH3512



26525

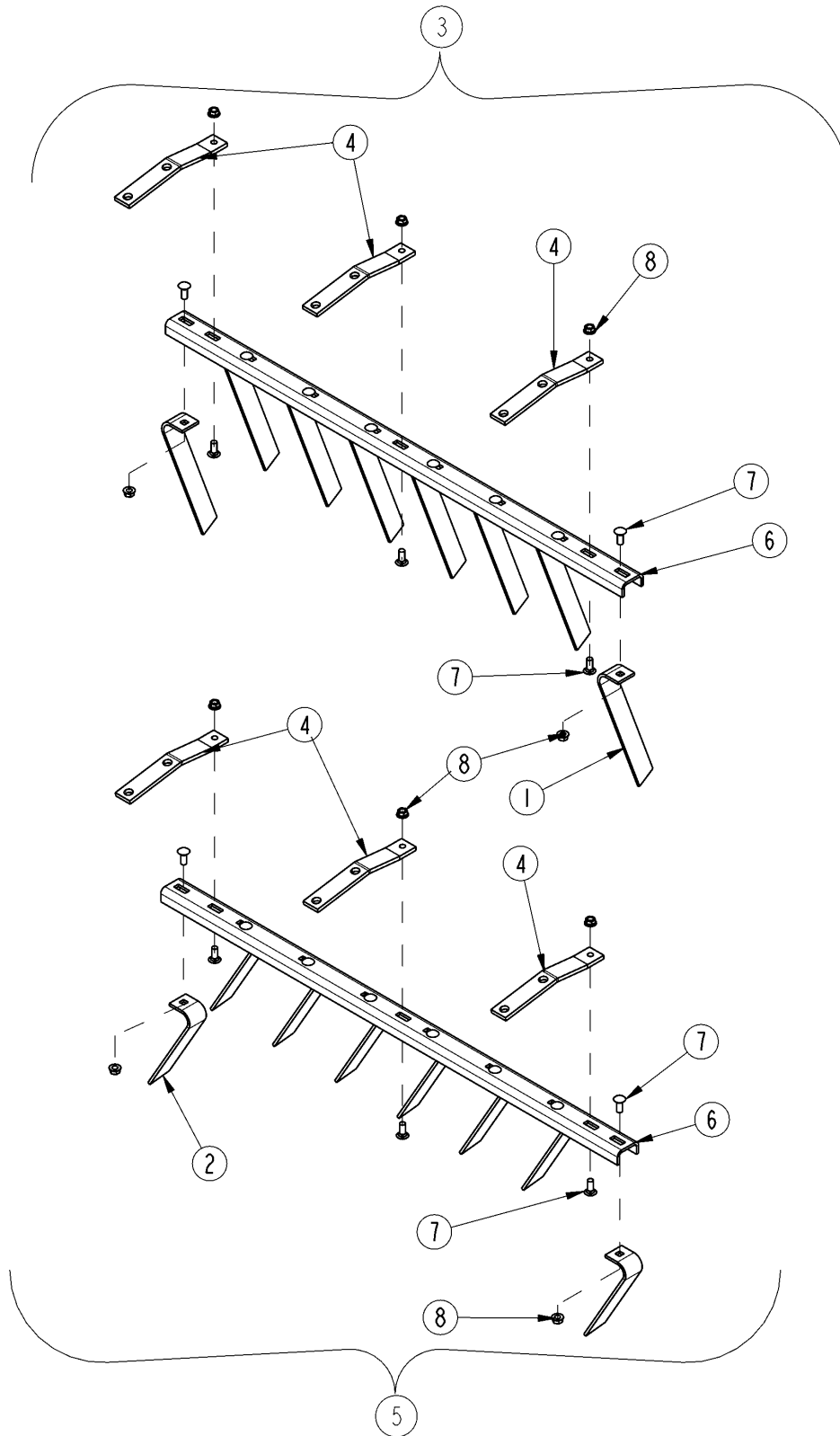
Scraper Kit Furrow Filler

Applies to DH3510, DH3512

Ref	Part No.	Part Description	Comments	Revision
	dwg26525	Drawing Image Number		
	322-287A	SCRAPER KIT FURROW FILLER *		
1.	322-260D	SCRAPER RH FURROW FILLER		
2.	322-261D	SCRAPER LH FURROW FILLER		
3.	802-106C	RHSNB 1/2-13X1 1/2 GR5		
4.	803-169C	NUT HEX FLG. LOCK 1/2-13 PLT.		

Scrapers Disc (DH3510 7 1/2" Spacing)

Applies to DH3510



25978

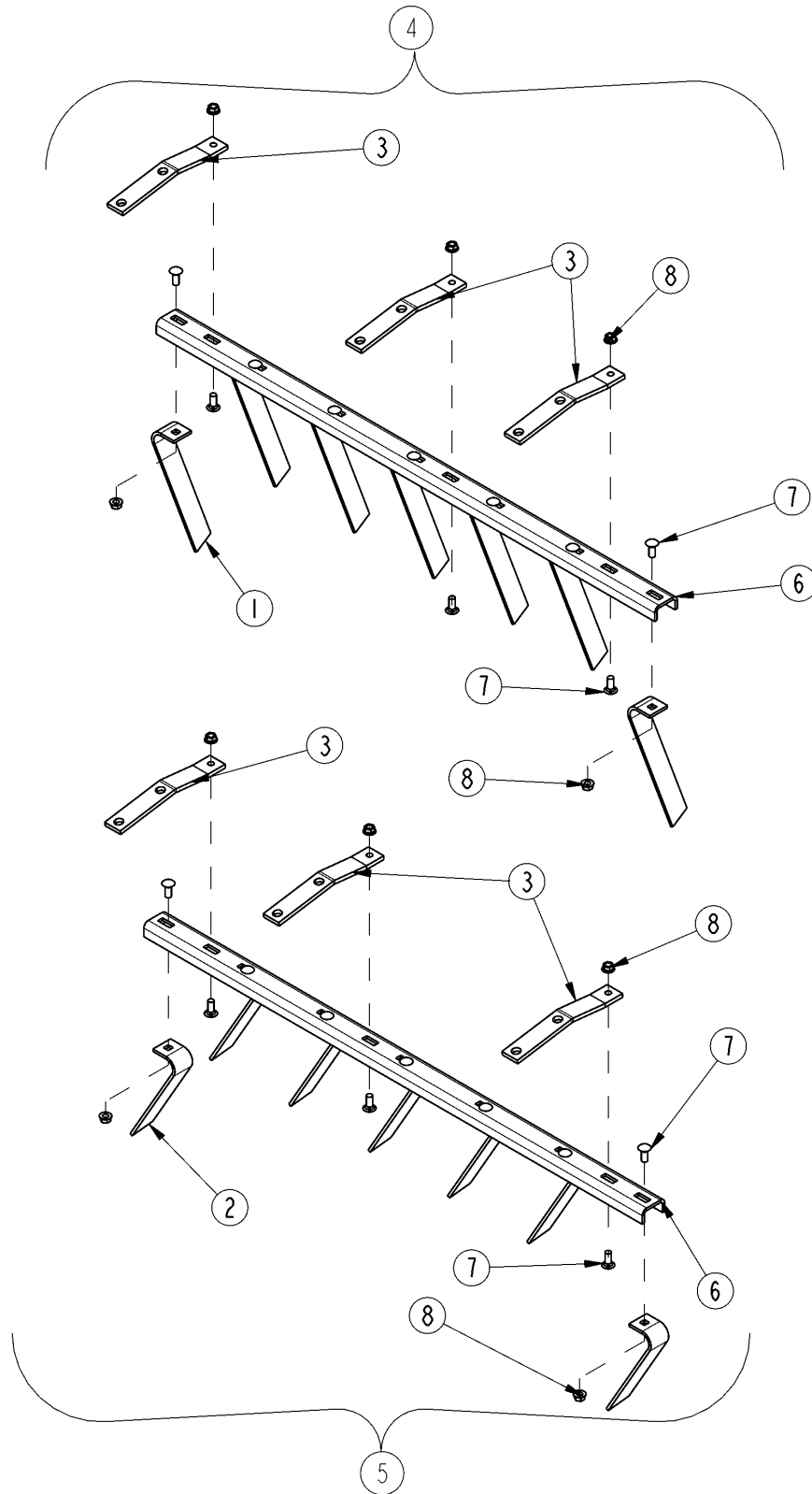
Scrapers Disc (DH3510 7 1/2" Spacing)

Applies to DH3510

Ref	Part No.	Part Description	Comments	Revision
	dwg25978	Drawing Image Number		
1.	322-020D	SCRAPER CUP RIGHT		
2.	322-021D	SCRAPER CUP LEFT		
3.	322-236K	SCRAPER CUP RIGHT 8 DISC 7 1/2		
4.	322-237D	HANGER SCRAPER HVY		
5.	322-237K	SCRAPER CUP LEFT 8 DISC 7 1/2		
6.	322-240D	SCRAPER MOUNT 8 DISC 7 1/2"SPC		
7.	802-214C	RHSNB 1/2-13X1 1/4 GR5		
8.	803-169C	NUT HEX FLG. LOCK 1/2-13 PLT.		

Scrapers Disc (DH3510 9" Spacing)

Applies to DH3510



25979

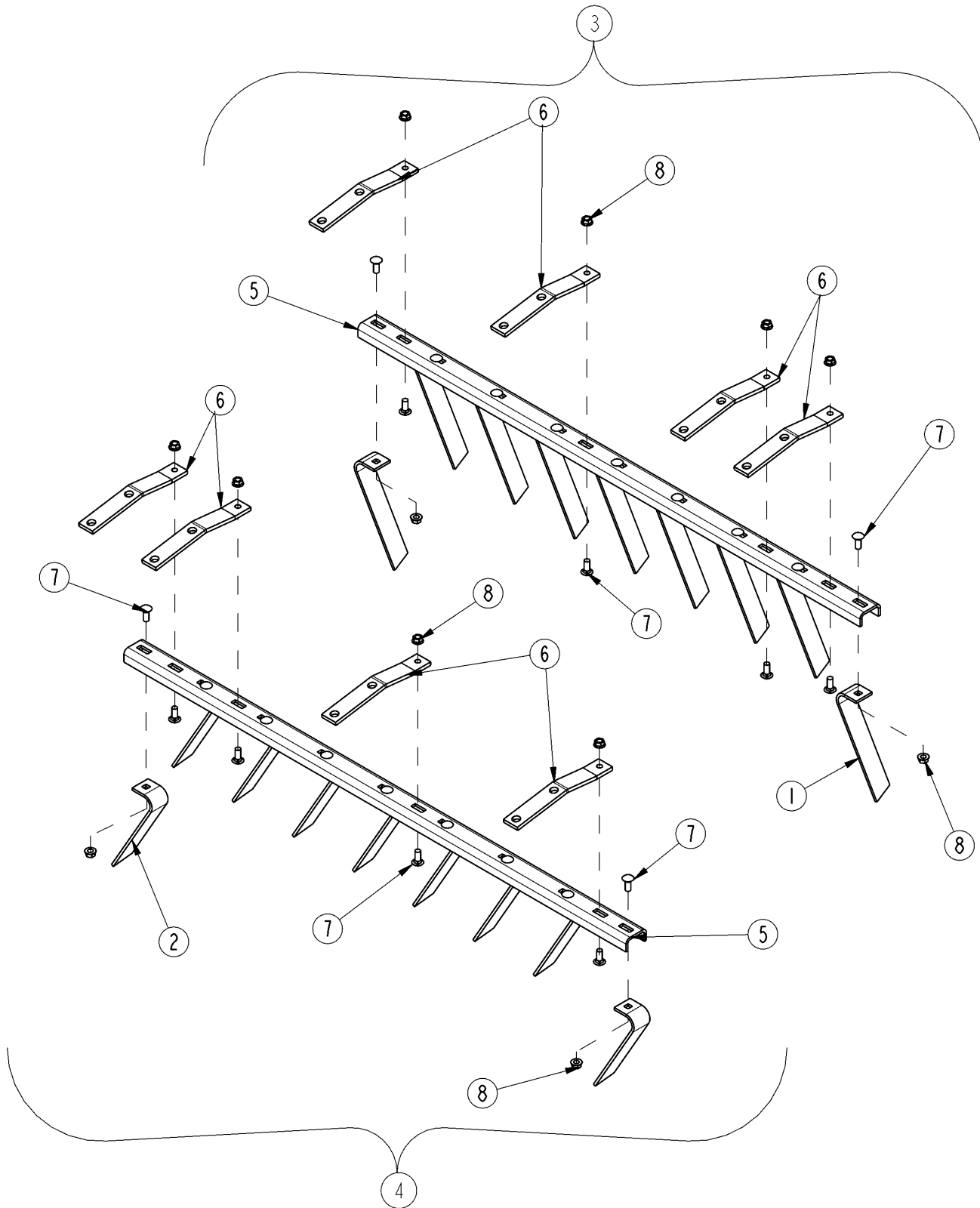
Scrapers Disc (DH3510 9" Spacing)

Applies to DH3510

Ref	Part No.	Part Description	Comments	Revision
	dwg25979	Drawing Image Number		
1.	322-020D	SCRAPER CUP RIGHT		
2.	322-021D	SCRAPER CUP LEFT		
3.	322-237D	HANGER SCRAPER HVY		
4.	322-238K	SCRAPER CUP RIGHT 7 DISC 9"SP		
5.	322-239K	SCRAPER CUP LEFT 7 DISC 9"SP		
6.	322-241D	SCRAPER MOUNT 7 DISC 9"SPACING		
7.	802-214C	RHSNB 1/2-13X1 1/4 GR5		
8.	803-169C	NUT HEX FLG. LOCK 1/2-13 PLT.		

Scrapers Disc (DH3512 7 1/2" Spacing)

Applies to DH3512



25975

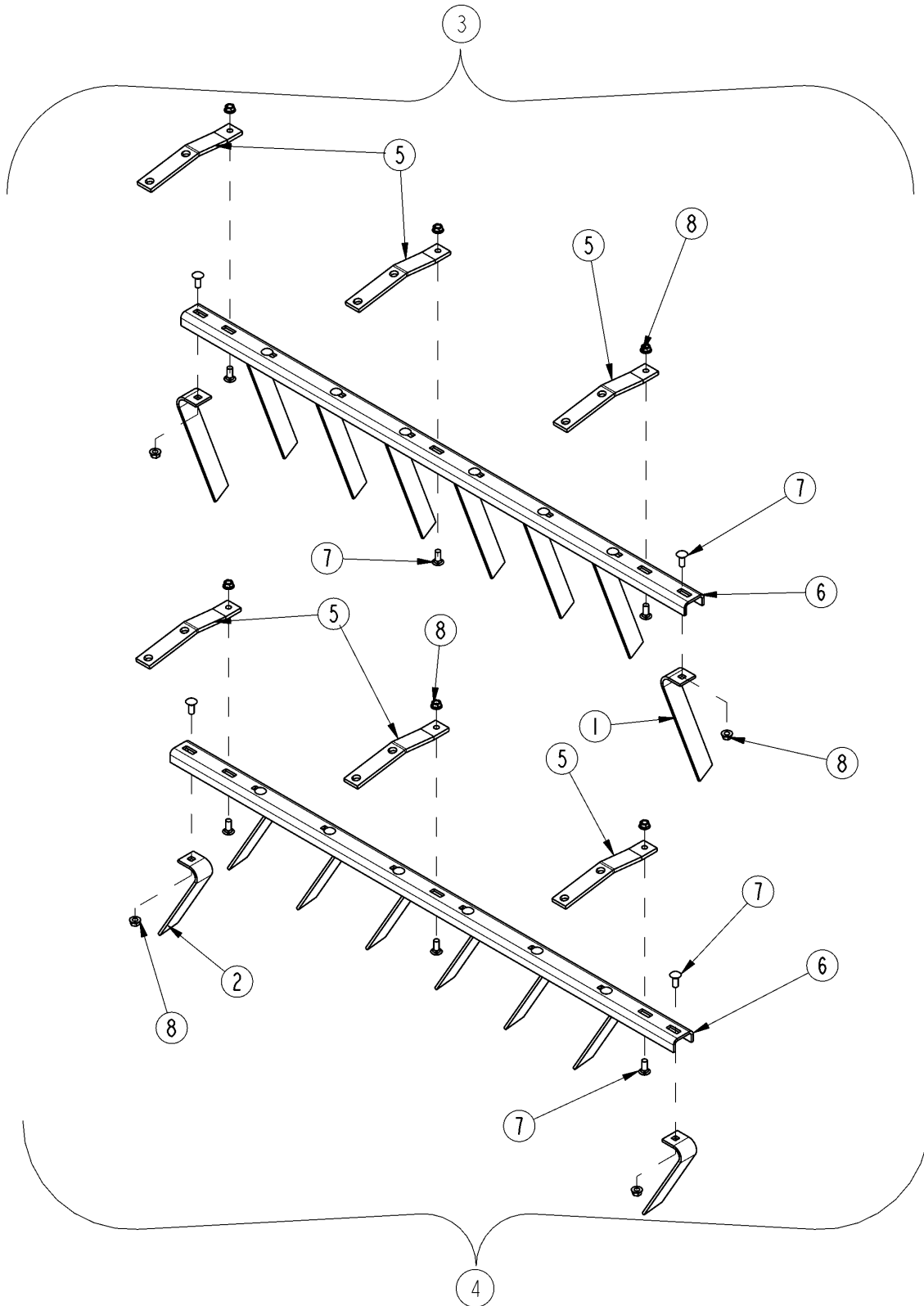
Scrapers Disc (DH3512 7 1/2" Spacing)

Applies to DH3512

Ref	Part No.	Part Description	Comments	Revision
	dwg25975	Drawing Image Number		
1.	322-020D	SCRAPER CUP RIGHT		
2.	322-021D	SCRAPER CUP LEFT		
3.	322-231K	SCRAPER CUP RIGHT 9 DISC 7 1/2		
4.	322-232K	SCRAPER CUP LEFT 9 DISC 7 1/2		
5.	322-235D	SCRAPER MOUNT 9 DISC		
6.	322-237D	HANGER SCRAPER HVY		
7.	802-214C	RHSNB 1/2-13X1 1/4 GR5		
8.	803-169C	NUT HEX FLG. LOCK 1/2-13 PLT.		

Scrapers Disc (DH3512 9" Spacing)

Applies to DH3512



25976

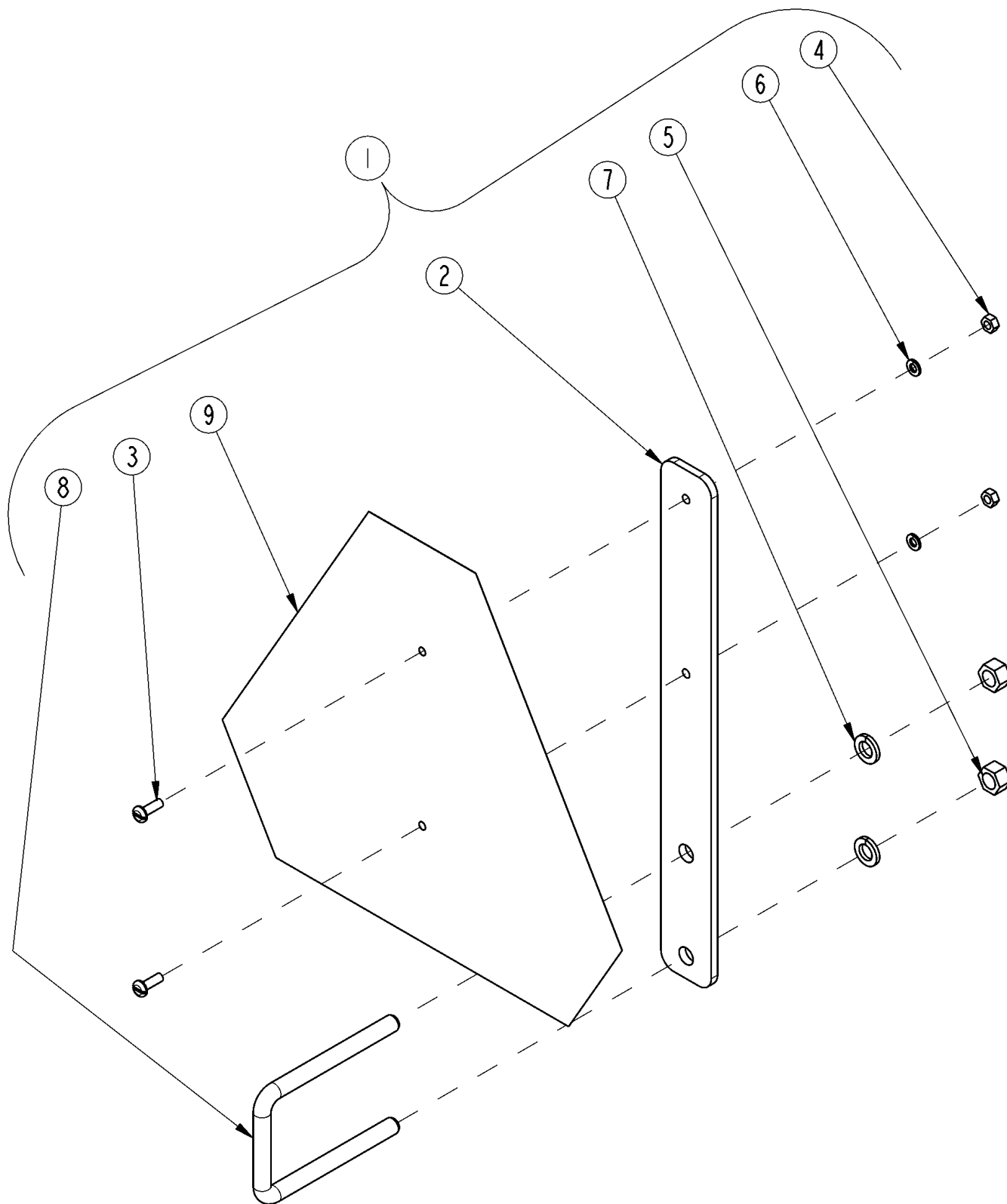
Scrapers Disc (DH3512 9" Spacing)

Applies to DH3512

Ref	Part No.	Part Description	Comments	Revision
	dwg25976	Drawing Image Number		
1.	322-020D	SCRAPER CUP RIGHT		
2.	322-021D	SCRAPER CUP LEFT		
3.	322-233K	SCRAPER CUP RIGHT 8 DISC 9"SP		
4.	322-234K	SCRAPER CUP LEFT 8 DISC 9"SP		
5.	322-237D	HANGER SCRAPER HVY		
6.	322-238D	SCRAPER MOUNT 8 DISC 9"SPACING		
7.	802-214C	RHSNB 1/2-13X1 1/4 GR5		
8.	803-169C	NUT HEX FLG. LOCK 1/2-13 PLT.		

Slow Moving Vehicle Sign

Applies to DH3510, DH3512



25983

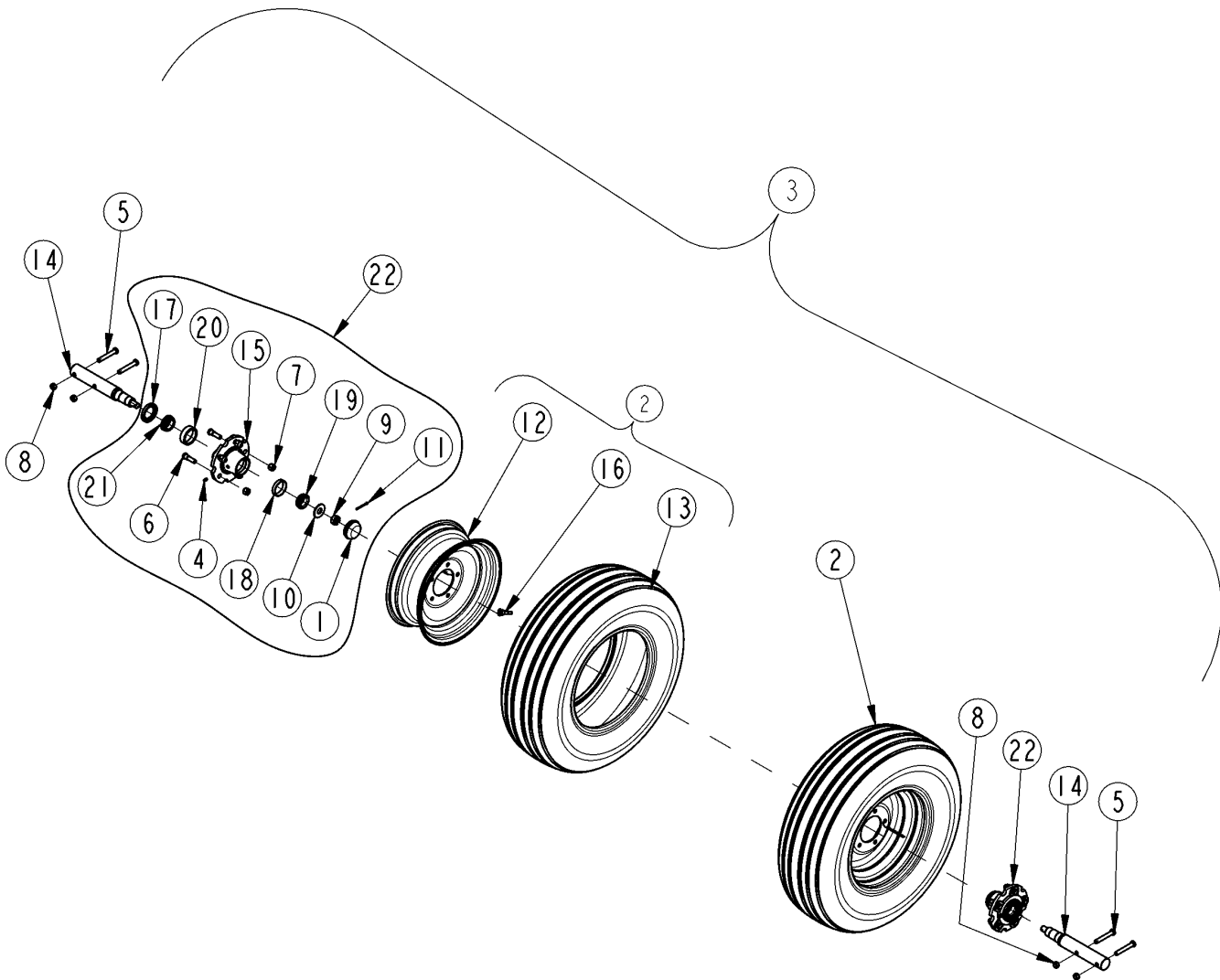
Slow Moving Vehicle Sign

Applies to DH3510, DH3512

Ref	Part No.	Part Description	Comments	Revision
	dwg25983	Drawing Image Number		
1.	322-226S	SMV KIT		
2.	322-228D	SMV POST		
3.	801-005C	SCREW PAN HD 1/4-20 X 3/4		
4.	803-006C	NUT HEX 1/4-20 PLT		
5.	803-020C	NUT HEX 1/2-13 PLT		
6.	804-006C	WASHER LOCK SPRING 1/4 PLT		
7.	804-015C	WASHER LOCK SPRING 1/2 PLT		
8.	806-189C	U-BOLT 1/2-13X3 1/32X5		
9.	818-055C	DECAL SLOW MOVING-GALV. BACKED		

Transport Wheel Dual

Applies to DH3510, DH3512



25973

Transport Wheel Dual

Applies to DH3510, DH3512

Ref	Part No.	Part Description	Comments	Revision
	dwg25973	Drawing Image Number		
1.	200-001D	HUB GREASE CAP		
2.	313-071S	TRANSPORT WHEEL & TIRE ASSY		
3.	322-235A	DUAL GAUGE WHEEL TRANSPORT OPT		
4.	800-080C	GREASE ZERK 1/4-28 THD FORMING		
5.	802-099C	HHCS 1/2-13X3 1/4 GR5		
6.	802-779C	HUB STUD 1/2-20X1.88 GR5		
7.	803-017C	NUT LUG 1/2-20X90DEG PLT 13/16		
8.	803-019C	NUT LOCK 1/2-13 PLT		
9.	803-053C	NUT HEX SLOTTED 3/4-16		
10.	804-216C	WASHER HARDENED .81ID		
11.	805-246C	PIN COTTER 5/32 X 1 3/4 LG		
12.	814-005C	WHEEL 6 X 15 X 5 BOLT		
13.	814-011C	TIRE 9.5 L X 15 8 PLY		
14.	815-237C	SPINDLE-SINGLE BOLT-ON		
15.	815-243C	HUB 5-BOLT W/CUPS/STUDS		
16.	816-035C	VALVE STEM TR415X.625X1 1/4 LG		
17.	816-497C	SEAL 1.75ID CR17617		
18.	822-020C	BRG CUP LM-67010		
19.	822-021C	BRG CONE 1.25ID LM-67048		
20.	822-033C	BRG CUP LM-48510		
21.	822-034C	BRG CONE LM-48548		
22.	322-288K	HUB 5-BOLT COMPLETE W/ANG NUTS		



Part Number Index

The Part Number Index is a numeric index of all part numbers included in this manual. The index shows what page(s) the part is used on.

Part Number	Page	Part Number	Page	Part Number	Page	Part Number	Page
130560	13	322-232K	43	803-026C	7	812-493C	19, 21
186562	13	322-233K	45	803-031C	29, 31	814-005C	17, 49
1M6010-ADI	11	322-234K	45	803-032C	9	814-011C	17, 49
200-001D	17, 49	322-235A	49	803-034C	9	815-237C	17, 49
258818	13	322-235D	43	803-038C	9	815-243C	17, 49
292003	13	322-236D	19, 21	803-053C	17, 49	816-035C	17, 49
2A0006	11	322-236K	39	803-099C	9	816-497C	17, 49
2A0012	11	322-237D	39, 41, 43, 45	803-147C	7	816-504C	9
2A0014	11	322-237K	39	803-169C	17, 37, 39, 41, 43, 45	817-394C	7
2A0024	11	322-238D	45	803-255C	15, 33	817-585C	7
2M4416	11	322-238K	41	803-263C	9, 27	818-055C	47
303-017S	9	322-239K	41	803-268C	15, 33	818-229C	23
312-139D	17	322-240D	39	803-299C	19, 21	818-230C	23
312-445D	17	322-241D	41	803-367C	9	818-298C	23
312-547D	17	322-260D	37	803-371C	19, 21	818-719C	23
313-071S	17, 49	322-261D	37	804-006C	47	818-831C	23
318-775D	17	322-269H	9	804-007C	9, 15, 33	818-897C	23
322-020D	39, 41, 43, 45	322-287A	37	804-014C	27	820-064C	27
322-021D	39, 41, 43, 45	322-288K	17, 49	804-015C	17, 19, 21, 47	820-225C	19, 21
322-027D	7	322-345D	19, 21	804-016C	7, 17	820-226C	19, 21
322-029D	7	322-367L	15, 33	804-017C	17	820-227C	19, 21
322-029D82	7	332-003H	7	804-019C	9	820-228C	19, 21
322-042D	27	332-007H	7	804-022C	29, 31	820-240C	27
322-059A	27	3M4412	11	804-025C	19, 21	820-361C	31
322-156D	19, 21	491738	13	804-027C	19, 21, 29, 31	820-362C	29
322-162D	7	492278	13	804-028C	9	821-011C	25
322-162D82	7	492675	13	804-029C	19, 21	821-011CGL	25
322-163D	7	493211	13	804-035C	9	821-011CQT	25
322-163D82	7	493830	13	804-071C	19	821-054C	25
322-185S	29	494391	13	804-216C	17, 49	821-054CGL	25
322-186S	31	4M4104	11	804-281C	19, 21	821-054CQT	25
322-189S	19	556-091H	29, 31	805-004C	17	821-054CTU	25
322-190S	19	556-122H	29, 31	805-021C	9	821-058C	25
322-191S	19	580-186D	29, 31	805-032C	7	821-058CGL	25
322-192S	19	5M4116	11	805-041C	9	821-058CQT	25
322-193S	19	6M4166	11	805-065C	17	821-058CTU	25
322-194S	19	6R1164-ADI	11	805-094C	19, 21	821-066C	25
322-195S	19	7M4316	11	805-104C	9	821-066CGL	25
322-196S	19	800-060C	15, 33	805-155C	9	821-066CQT	25
322-197S	21	800-080C	9, 17, 49	805-207C	9	821-066CTU	25
322-198S	21	800-136C	17	805-246C	17, 49	821-067C	25
322-199S	21	801-005C	47	805-406C	9	821-067CGL	25
322-200S	21	801-023C	13	806-007C	19, 21	821-067CQT	25
322-201S	21	802-005C	15, 33	806-012C	19, 21	821-067CTU	25
322-202S	21	802-069C	7	806-161C	27	821-070C	25
322-203S	21	802-073C	9	806-189C	7, 47	821-070CGL	25
322-204S	21	802-074C	9	807-073C	17	821-070CQT	25
322-205D	7	802-088C	29, 31	807-274C	9	821-070CTU	25
322-205D82	7	802-099C	17, 49	807-275C	9	821-080C	25
322-205H	7	802-106C	19, 21, 37	810-015C	11	821-080CGL	25
322-205H82	7	802-122C	27	810-624C	11, 13, 17	821-080CQT	25
322-206H	17	802-128C	17	810-818C	17	821-080CTU	25
322-216D	9	802-212C	9	810-887C	13	822-020C	17, 49
322-217H	7	802-214C	39, 41, 43, 45	811-063C	17	822-021C	17, 49
322-217H82	7	802-258C	17	811-088C	17	822-033C	17, 49
322-218H	7	802-283C	9	811-127C	17	822-034C	17, 49
322-218H82	7	802-335C	9	811-394C	17	822-233C	19, 21
322-219H	9	802-345C	29, 31	811-897C	17	827-001C	7, 19, 21
322-219H82	9	802-357C	9	812-284C	19, 21	838-093C	23
322-221D	9	802-717C	9	812-285C	19, 21	838-293C	23
322-221D82	9	802-779C	17, 49	812-286C	19, 21	838-588C	23
322-221H	9	802-851C	21	812-287C	19, 21	838-603C	23
322-223H	9	802-856C	21	812-289C	19, 21	838-614C	23
322-223H82	9	802-857C	19	812-329C	9	838-615C	23
322-225H	9	803-006C	47	812-351C	19, 21	842-265C	15, 33
322-225H82	9	803-015C	27	812-489C	19, 21	848-159C	23
322-226S	47	803-017C	17, 49	812-490C	19, 21	848-243C	23
322-228D	47	803-019C	17, 49	812-491C	19, 21	848-244C	23
322-230H	19, 21	803-020C	13, 19, 21, 47	812-492C	19, 21	848-245C	23
322-231K	43	803-021C	29, 31				



Part Number Index (continued)

<u>Part Number</u>	<u>Page</u>
848-246C	23
848-247C	23
890-005C	17
890-118C	9
890-182C	9
891-522C	15, 33
891-523C	15, 33
891-531C	15, 33
891-533C	15, 33
891-792C	15, 33
Dwg 12499	11
Dwg 25896	13
Dwg 25972	23
Dwg 70020	15, 33
dwg25966	7
dwg25967	9
dwg25968	17
dwg25969	19
dwg25970	21
dwg25973	49
dwg25975	43
dwg25976	45
dwg25978	39
dwg25979	41
dwg25980	29
dwg25981	31
dwg25983	47
dwg26525	37
dwg26526	27
dwg27560	35
J-37-A	15, 33
J-37-R	15, 33
J-AC1-15-B	15, 33
N/A	13



Great Plains Manufacturing, Inc.

Corporate Office: P.O. Box 5060
Salina, Kansas 67402-5060 USA

www.landpride.com
