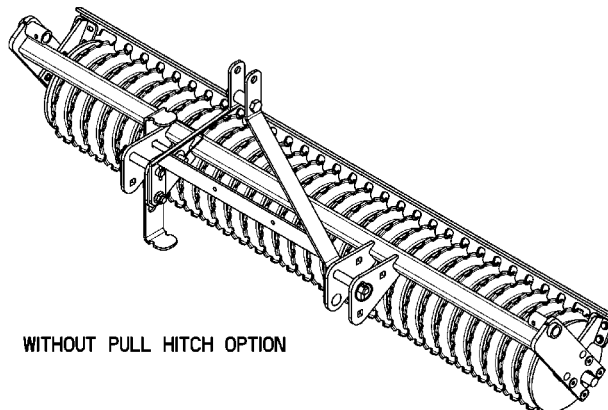
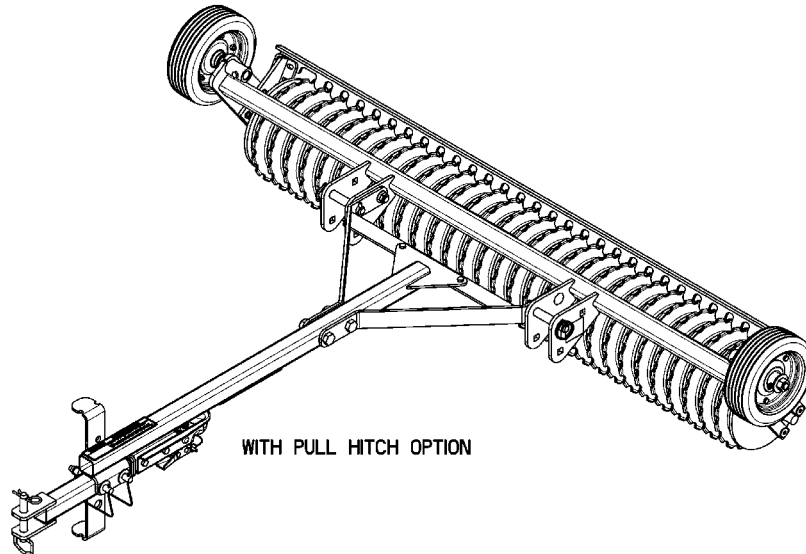


SEED BED ROLLER

SBR48, SBR60 & SBR72



25770

322-215P **Parts Manual**



Read the Operator's Manual entirely. When you see this symbol, the subsequent instructions and warnings are serious - follow without exception. Your life and the lives of others depend on it!

© Copyright 2018 Printed 07/10/18

Cover photo may show optional equipment not supplied with standard unit.





Table of Contents

Section 1: Introduction.....	4
Using This Manual.....	4
Manual Replacement Information.....	4
Manual Revisions.....	4
Touch-up Paint.....	4
Hardware Legend.....	5
Replacement Hardware.....	5
Serial Numbers.....	5
Part Number Service Coding.....	5
Section 2: Complete Assembly.....	6
Frame.....	6
Hitch and Roller S/N 745723-.....	6
Frame.....	8
Hitch and Roller S/N 745724+.....	8
Scraper.....	10
Rear Roller.....	10
Section 3: Decals.....	12
Decal Placement.....	12
Land Pride Touch-up Paints.....	14
Section 4: Options & Accessories.....	16
Hitch Pull Type.....	16
Part Number Index.....	18

© Copyright 2018. All rights reserved.

Land Pride provides this publication “as is” without warranty of any kind, either expressed or implied. While every precaution has been taken in the preparation of this manual, Land Pride assumes no responsibility for errors or omissions. Neither is any liability assumed for damages resulting from the use of the information contained herein. Land Pride reserves the right to revise and improve its products as it sees fit. This publication describes the state of this product at the time of its publication, and may not reflect the product in the future. The illustrations in this manual are not intended for safe and proper assembly or disassembly of equipment. The illustrations are intended for ordering parts only.

Land Pride is registered trademark.

All other brands and product names are trademarks or registered trademarks of their respective holders.

Printed in the United States of America.



Alphabetized Table of Contents

D	
Decal Placement.....	12
F	
Frame, Hitch and Roller S/N 745723-.....	6
Frame, Hitch and Roller S/N 745724+.....	8
H	
Hitch Pull Type.....	16
L	
Land Pride Touch-up Paints.....	14
S	
Scraper, Rear Roller.....	10

General Information

Using This Manual

This manual is divided into sections. The first section contains General Information. The remaining sections divide the machine into segments (i.e. Frames, Drives, Hydraulics, etc.) which illustrate and list all parts. A Parts Number Index is located at the back of the book.

The Land Pride parts in this manual are specially designed for this machine and should be replaced with Land Pride parts only.

The information in this manual is current at time of printing. Some parts may change to assure top performance.

Right-hand and left-hand as used in this manual are determined by facing the direction the machine will travel while in use.

Below is an example of two facing pages from a parts manual. Familiarize yourself with the type of information contained on these pages.

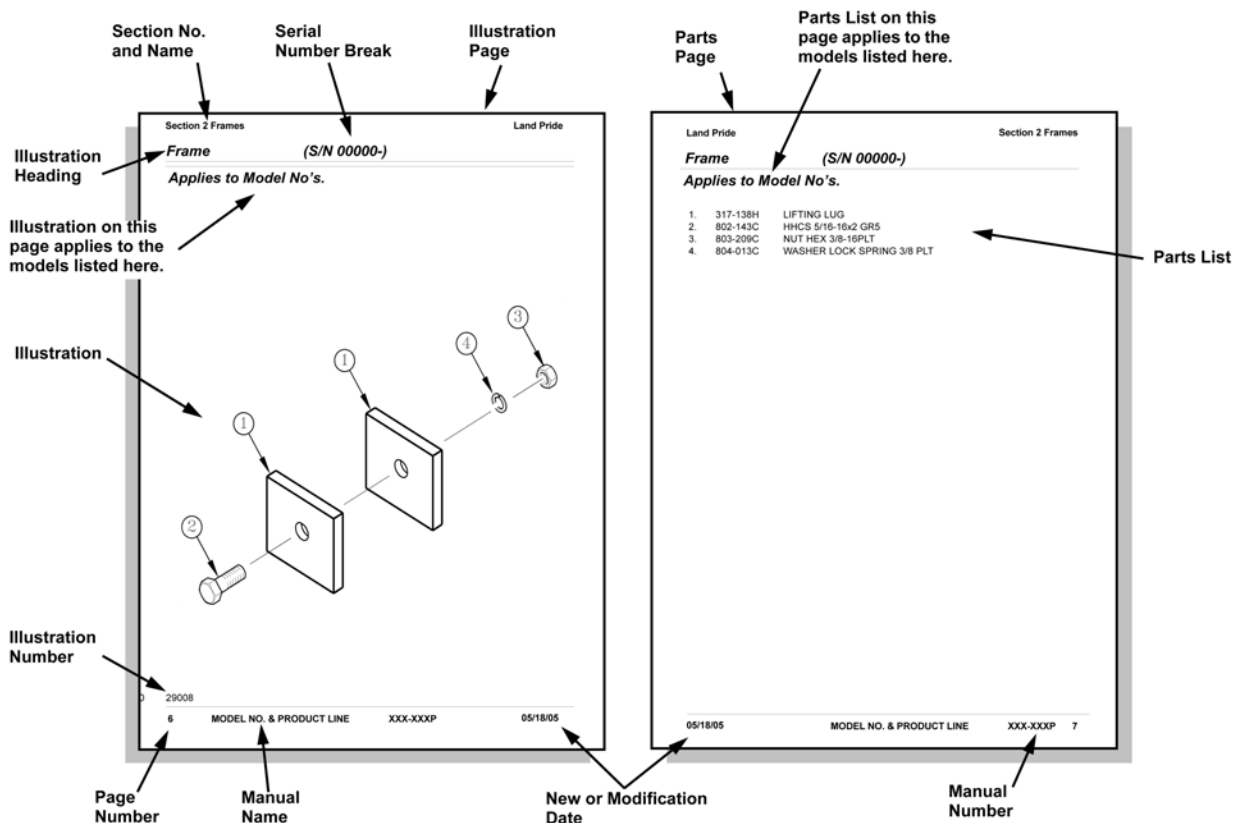
Manual Replacement Information

Replacement manuals are available. Refer to our website at www.landpride.com or e-mail us at lit@landpride.com for additional information. Our website continues to provide the most up-to-date manuals available.

Touch-up Paint

Repaint parts where paint is worn or scratched to prevent rust. Aerosol cans and touch-up bottles with brush applicator are available through your local dealer. Also available are quart and gallon size paints. Add QT or GL to end of the Aerosol P/N.

Land Pride color descriptions and part numbers are listed on the "Land Pride Touch-up Paints" page in the "Decals" section of this book. Color options vary by product.



General Information

Hardware Legend

AR	As Required
BLADE	Blade Bolt
C	Cap Screw
CP	Cotter Pin
CPHSSS	Cup Point Hex Socket Set Screw
CPSHSS	Cup Point Square Head Set Screw
CPSQHSS	Cup Point Square Head Set Screw
CRFCHMS3	Cross Recess Flat Countersunk Head Machine Screw
CRPHMS	Cross Recess Pan Head Machine Screw
CRPHTF	Cross Recess Pan Head Thread Forming
CRRHMS	Cross Recess Round Head Machine Screw
CRTHMS	Cross Recess Truss Head Machine Screw
CSNB	Countersunk Square Neck Bolt
FHMS	Flat Head Machine Screw
FTC	Full Thread Cap Screw
H	Hex Nut
HCLN	Hex Center Lock Nut
HFLCS	Hex Flange Lock Cap Screw
HFS	Hex Flange Screw
HFSLN	Hex Flange Serrated Lock Nut
HFSS	Hex Flange Serrated Screw
HHCS	Hex Head Cap Screw or Metric Bolt
HSBHCS	Hex Socket Button Head Cap Screw
HSFCHCS	Hex Socket Flat Countersunk Head Cap Screw
HSHCS	Hex Socket Head Cap Screw
HSSS	Hex Socket Head Screw
HTLN	Hex Top Lock Nut
HWHCS	Hex Washer Head Cap Screw

HWHMS	Hex Washer Head Machine Screw
HXBHCS	Hex Socket Button Head Cap Screw
J	Hex Jam Nut
JIC	37 Degree Tapered Thread
L	Helical Spring Lock Washer
LUG	Lug Bolt
NFC	National Fine Cap Screw
NPSM	National Pipe Straight Mechanical
NPTF	National Pipe Taper Fuel
P	Wide Plain Washer
PHMS	Pan Head Machine Screw
PLOW	Plow Bolt
RHMS	Round Head Machine Screw
RHSNB	Round Head Square Neck Bolt
SCREW LEVELING	Leveling Screw
SCREW THUMB	Thumb Screw
SCREW WELD	Weld Screw
SFCHMS	Slotted Flat Countersunk Head Machine Screw
SFHMS	Slotted Fillister Head Machine Screw
SP	Special
SP SCREW	Special Screw
SOHSS	Square Head Set Screw
SRHMS	Slotted Round Head Machine Screw
SSS	Socket Set Screw
STCS	Self Tapping Cap Screw
STHMS	Slotted Truss Head Machine Screw
WHEEL	Wheel Studs and Hub Long Bolts
WING	Wing Bolt

Replacement Hardware

The **Hardware Legend** above lists hardware abbreviations used in the parts list. All bolts and nuts are Grade 5 unless otherwise noted. The use of improper grades of hardware can result in personal injury, damage to equipment, or loss of property.

Colored Replacement Parts

Land Pride offers replacement parts in factory standard colors and also on select models in Green, Orange, Red and Blue. Because of the variety of colors available, special attention must be given to the part number to prevent ordering the wrong replacement part.

A suffix number corresponding to one of the colors below must be added at the end of Land Pride's part number when ordering a replacement part with that color.

81 Green 83 Red
82 Orange 84 Blue

For example, if you are ordering a replacement part with part number 555-555C and the part you need is red, then add the suffix 83 to the end of the number to make the part number read 555-555C83. Parts ordered without a suffix number will be supplied in factory standard colors.

Black Replacement Parts

Some parts are factory standard black and some must be special ordered black. If your part is special ordered black, a second part number with the additional suffix number 85 on the end will be available. In this situation you must order that part with the suffix number for it to be black. Parts that are factory standard black will not have the suffix number.

Part Number Service Coding

Within the parts list some part numbers are coded for revisions and interchangeability. See notations in revision column.

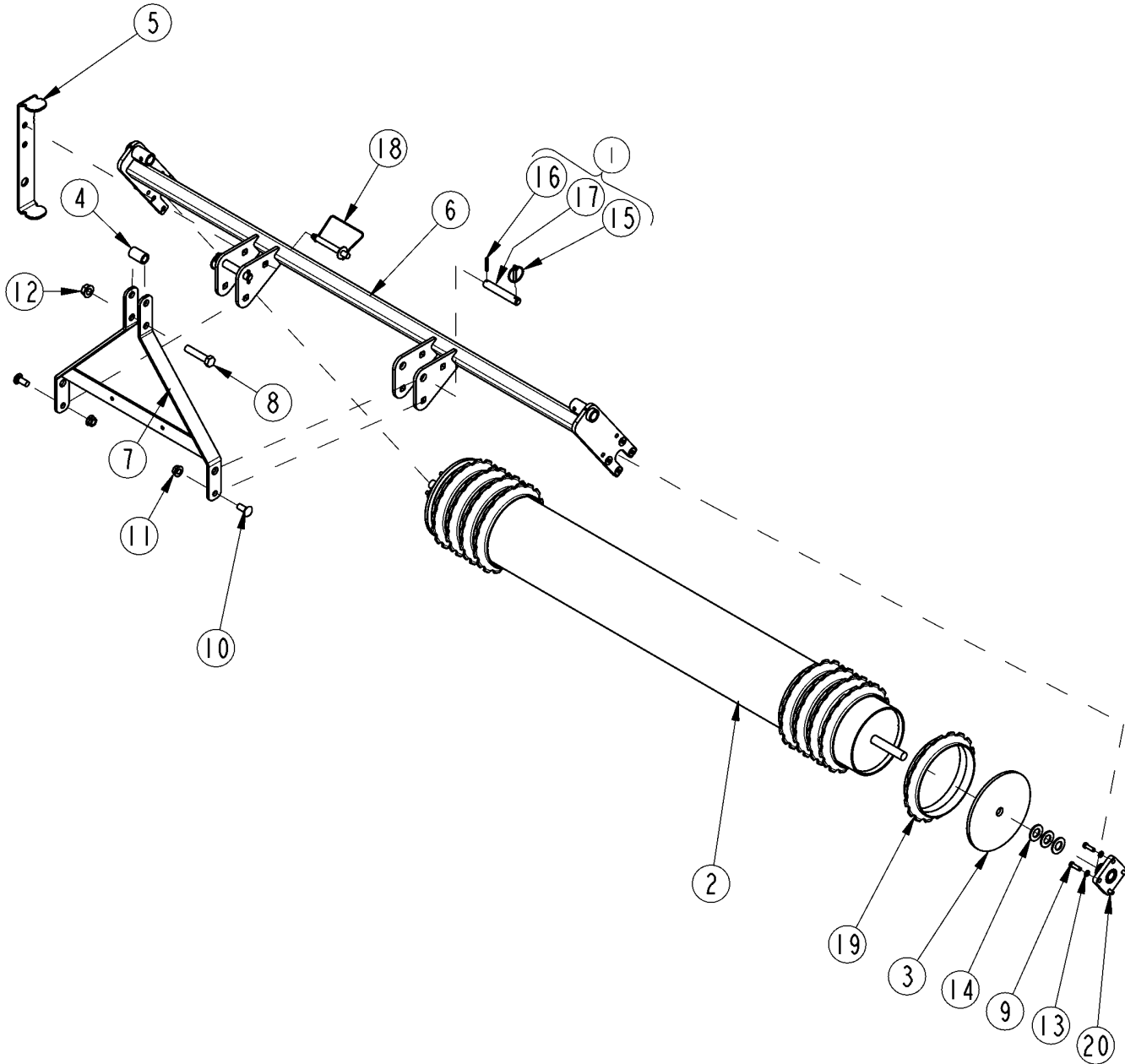
Serial Numbers

Always use the serial and model number when ordering parts. Refer to the Operator's Manual for serial number plate location.

- (S/N 20001+) Includes serial numbers 20001 and above (to the latest number)
- (S/N 10001 to 20000) Includes serial numbers between and including 10001 and 20000
- (S/N 10000-) Includes serial numbers 10000 and below (to the earliest number)

Frame, Hitch and Roller S/N 745723-

Applies to SBR48, SBR60, SBR72



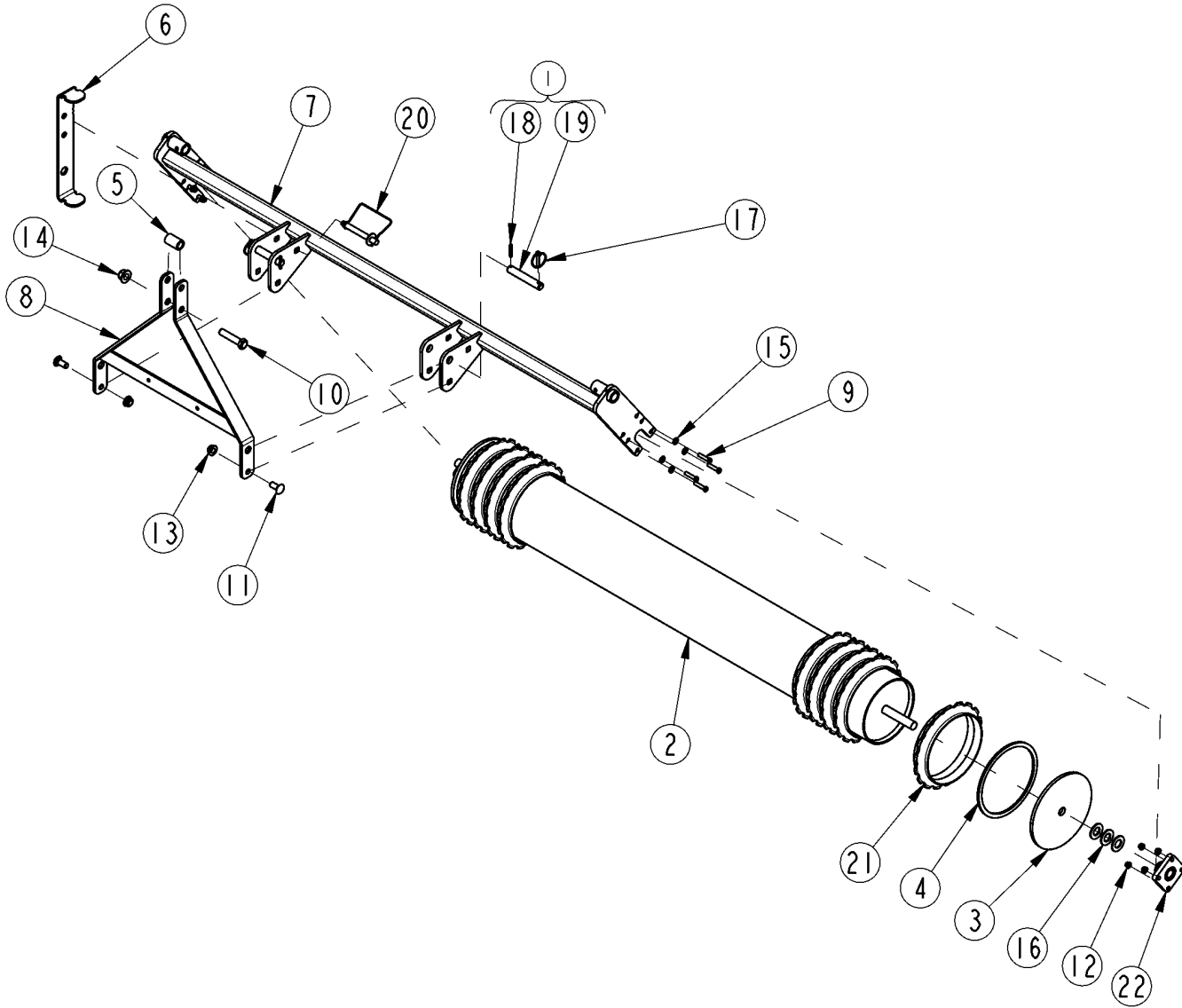
25766

Frame, Hitch and Roller S/N 745723-**Applies to SBR48, SBR60, SBR72**

Ref	Part No.	Part Description	Comments	Revision
	dwg25766	Drawing Image Number		
1.	303-017S	LOWER HITCH PIN 7/8 X 5 5/8		
2.	307-031H	72 CAST WHEEL MOUNTING TUBE		
2.	307-028H	48 CAST WHEEL MTG TUBE		
2.	307-030H	60 CAST WHEEL MOUNTING TUBE		
3.	308-281D	OS1548 CAST WHEEL CAP PLATE		
4.	308-400D	SPACER 1 1/4OD X 25/32ID X 2LG		
5.	322-200D	HITCH STAND RR		
5.	322-200D81	HITCH STAND RR GREEN		
5.	322-200D82	HITCH STAND RR ORANGE		
5.	322-200D83	HITCH STAND RR RED		
5.	322-200D84	HITCH STAND RR BLUE		
6.	322-211H	FRAME REAR PACKER ROLLER WLD SBR72 ROLLER		
6.	322-211H81	FRAME REAR PACKER ROLLER GREEN SBR72 ROLLER		
6.	322-211H82	FRAME REAR PACKER ROLLER ORANGE SBR72 ROLLER		
6.	322-211H83	FRAME REAR PACKER ROLLER RED SBR72 ROLLER		
6.	322-211H84	FRAME REAR PACKER ROLLER BLUE SBR72 ROLLER		
6.	322-293H	FRAME WMT, SBR48 ROLLER		
6.	322-293H81	FRAME WMT GREEN, SBR48 ROLLER		
6.	322-293H82	FRAME WMT ORANGE, SBR48 ROLLER		
6.	322-293H83	FRAME WMT RED, SBR48 ROLLER		
6.	322-293H84	FRAME WMT BLUE, SBR48 ROLLER		
6.	322-294H	FRAME WMT, SBR60 ROLLER		
6.	322-294H81	FRAME WMT GREEN, SBR60 ROLLER		
6.	322-294H82	FRAME WMT ORANGE, SBR60 ROLLER		
6.	322-294H83	FRAME WMT RED, SBR60 ROLLER		
6.	322-294H84	FRAME WMT BLUE, SBR60 ROLLER		
7.	322-212H	FRAME HITCH WLDMT		
7.	322-212H81	FRAME HITCH WLDMT GREEN		
7.	322-212H82	FRAME HITCH WLDMT ORANGE		
7.	322-212H83	FRAME HITCH WLDMT RED		
7.	322-212H84	FRAME HITCH WLDMT BLUE		
8.	802-066C	HHCS 3/4-10X3 1/2 GR5		
9.	802-079C	HHCS 3/8-16X1 1/4 GR5		
10.	802-464C	RHSNB 5/8-11X1 1/2 GR5 PLT		
11.	803-263C	NUT HEX FLANGE LOCK 5/8-11 PLT		
12.	803-299C	NUT HEX FLG TOP LK 3/4-10 PLT		
13.	804-013C	WASHER LOCK SPRING 3/8 PLT		
14.	804-029C	WASHER FLAT 1 SAE		
15.	805-015C	PIN LINCH 5/16 X 1 3/4		
16.	805-041C	PIN ROLL 1/4X1 3/4		
17.	805-207C	PIN 7/8 OD X 4 15/32 USABLE		
18.	805-370C	PIN WIRE SNAP LOCK 5/8 X 4		
19.	812-056C	ROLLER WHEEL 12		
20.	822-085C	BRG FLG 1.00ID 4BOLT		

Frame, Hitch and Roller S/N 745724+

Applies to SBR48, SBR60, SBR72



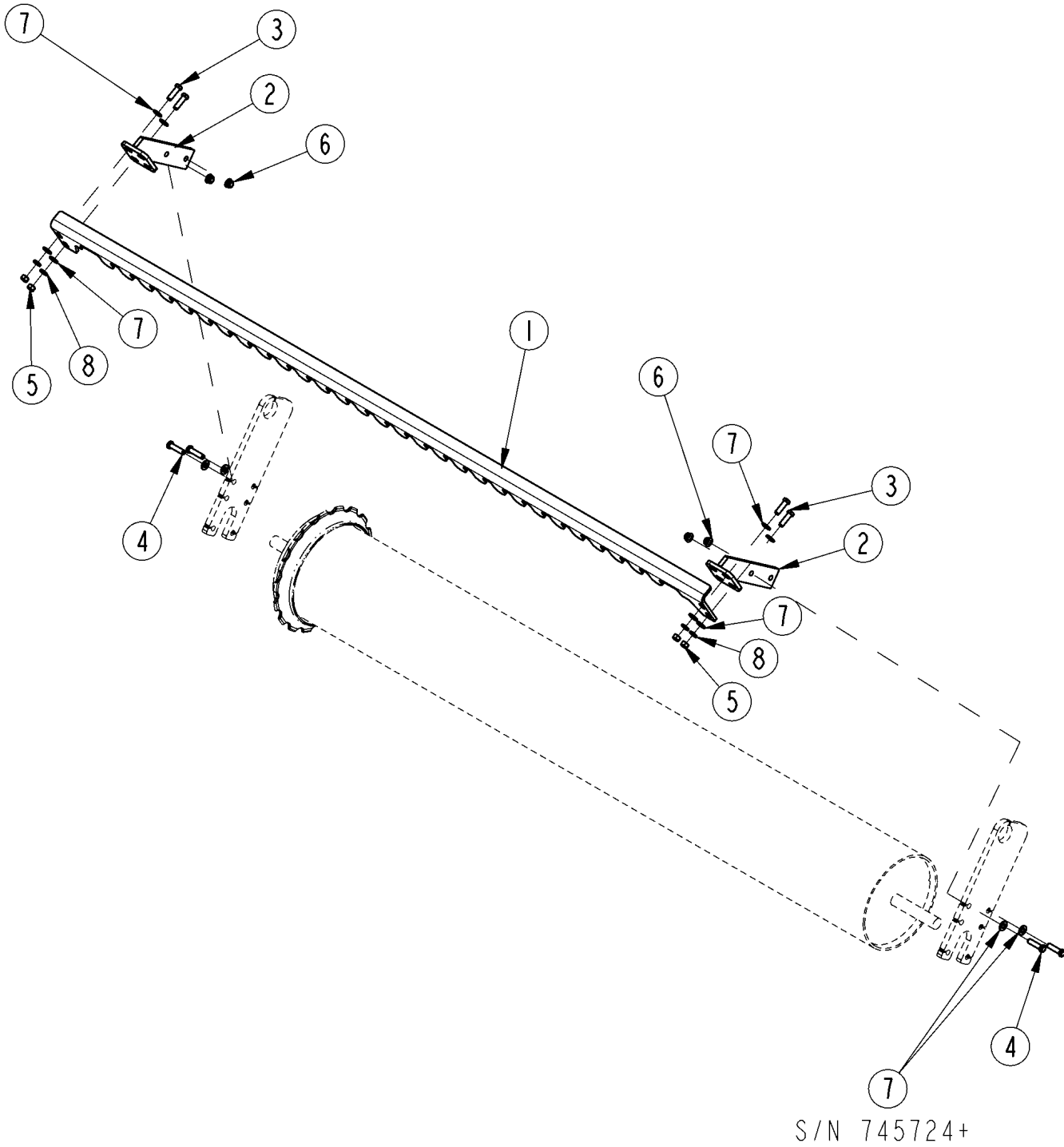
33567

Frame, Hitch and Roller S/N 745724+**Applies to SBR48, SBR60, SBR72**

Ref	Part No.	Part Description	Comments	Revision
	dwg33567	Drawing Image Number		
1.	303-017S	LOWER HITCH PIN 7/8 X 5 5/8		
2.	307-031H	72 CAST WHEEL MOUNTING TUBE		
3.	308-281D	OS1548 CAST WHEEL CAP PLATE		
4.	308-399D	PACKER WHEEL 1/4 SPACER PLATE		
5.	308-400D	SPACER 1 1/4OD X 13/16ID X 2LG		
6.	322-200D	HITCH STAND RR		
6.	322-200D81	HITCH STAND RR GREEN		
6.	322-200D82	HITCH STAND RR ORANGE		
6.	322-200D83	HITCH STAND RR RED		
6.	322-200D84	HITCH STAND RR BLUE		
7.	322-211H	FRAME REAR PACKER ROLLER WLD		
7.	322-211H81	FRAME REAR PACKER ROLLER GREEN		
7.	322-211H82	FRAME REAR PACKER ROLLER ORANGE		
7.	322-211H83	FRAME REAR PACKER ROLLER RED		
7.	322-211H84	FRAME REAR PACKER ROLLER BLUE		
7.	322-293H	FRAME WMT, SBR48 ROLLER		
7.	322-293H81	FRAME WMT GREEN, SBR48 ROLLER		
7.	322-293H82	FRAME WMT ORANGE, SBR48 ROLLER		
7.	322-293H83	FRAME WMT RED, SBR48 ROLLER		
7.	322-293H84	FRAME WMT BLUE, SBR48 ROLLER		
7.	322-294H	FRAME WMT, SBR60 ROLLER		
7.	322-294H81	FRAME WMT GREEN, SBR60 ROLLER		
7.	322-294H82	FRAME WMT ORANGE, SBR60 ROLLER		
7.	322-294H83	FRAME WMT RED, SBR60 ROLLER		
7.	322-294H84	FRAME WMT BLUE, SBR60 ROLLER		
8.	322-212H	FRAME HITCH WLDMT		
8.	322-212H81	FRAME HITCH WLDMT GREEN		
8.	322-212H82	FRAME HITCH WLDMT ORANGE		
8.	322-212H83	FRAME HITCH WLDMT RED		
8.	322-212H84	FRAME HITCH WLDMT BLUE		
9.	802-023C	HHCS 3/8-16X1 3/4 GR5		
10.	802-066C	HHCS 3/4-10X3 1/2 GR5		
11.	802-464C	RHSNB 5/8-11X1 1/2 GR5 PLT		
12.	803-209C	NUT FLANGE LOCK 3/8-16 PLT		
13.	803-263C	NUT HEX FLANGE LOCK 5/8-11 PLT		
14.	803-299C	NUT HEX FLG TOP LK 3/4-10 PLT		
15.	804-012C	WASHER FLAT 3/8 SAE PLT		
16.	804-029C	WASHER FLAT 1 SAE		
17.	805-015C	PIN LINCH 5/16 X 1 3/4		
18.	805-041C	PIN ROLL 1/4X1 3/4		
19.	805-207C	PIN 7/8 OD X 4 15/32 USABLE		
20.	805-370C	PIN WIRE SNAP LOCK 5/8 X 4		
21.	812-056C	ROLLER WHEEL 12		
22.	822-085C	BRG FLG 1.00ID 4BOLT		

Scraper, Rear Roller

Applies to SBR48, SBR60, SBR72



25767

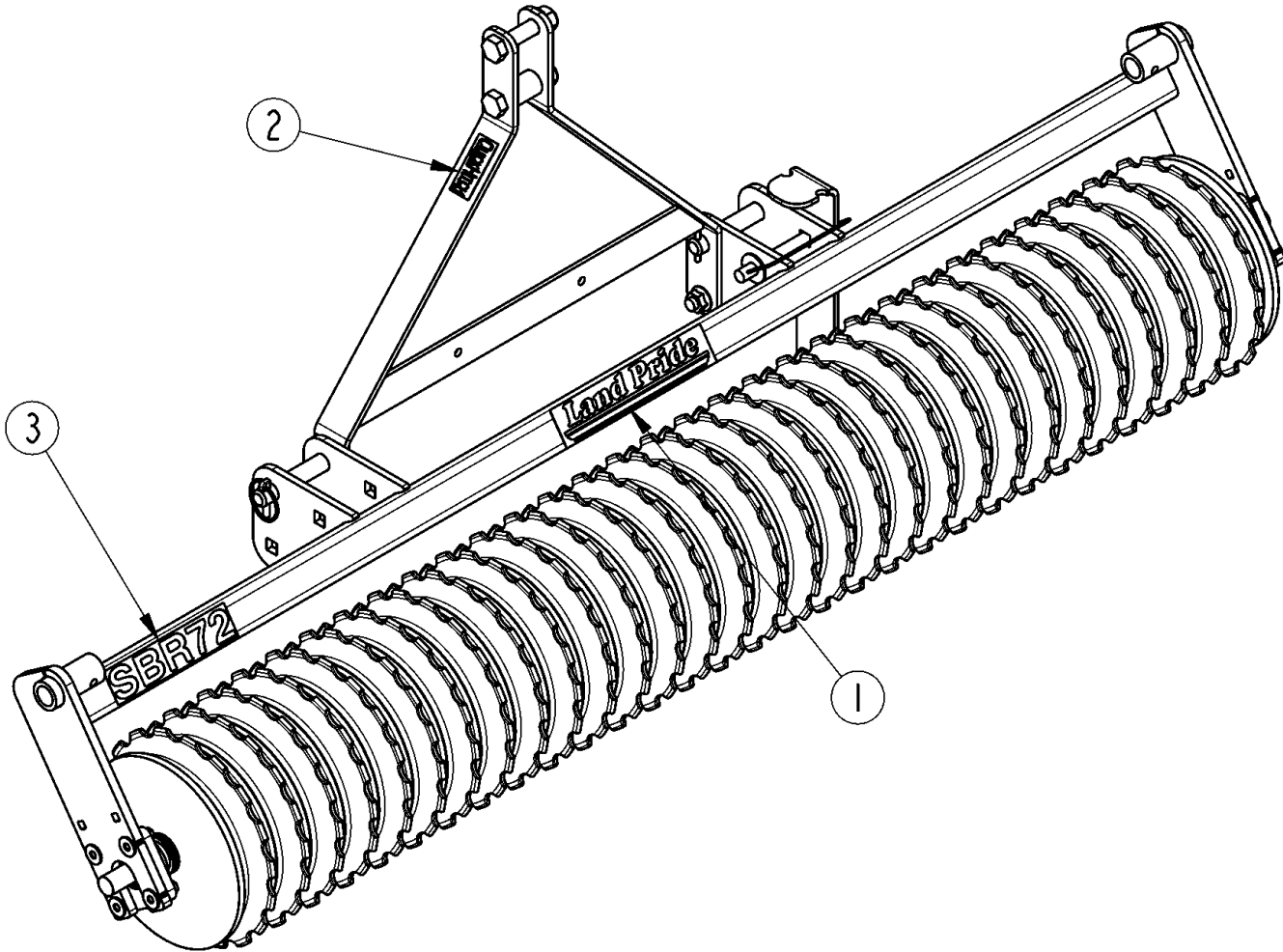
Scraper, Rear Roller

Applies to SBR48, SBR60, SBR72

Ref	Part No.	Part Description	Comments	Revision
	dwg25767	Drawing Image Number		
	322-228A	SCRAPER 72 REAR ROLLER		
	322-298A	SCRAPER 48 REAR ROLLER		
	322-297A	SCRAPER 60 REAR ROLLER		
		*		
1.	308-398D	OS1572 30 WHEEL SCRAPER BAR		
1.	322-263D	SCRAPER BAR, 48"		
1.	322-262D	SCRAPER BAR, 60"		
2.	322-227H	BRACKET SCRAPER		
3.	802-079C	HHCS 3/8-16X1 1/4 GR5		
4.	802-022C	HHCS 3/8-16X1 1/2 GR5		
4.	802-453C	RHSNB 3/8-16X1 1/2 GR5		
5.	803-014C	NUT HEX 3/8-16 PLT		
6.	803-209C	NUT FLANGE LOCK 3/8-16 PLT		
7.	804-012C	WASHER FLAT 3/8 SAE PLT		
8.	804-013C	WASHER LOCK SPRING 3/8 PLT		

Decal Placement

Applies to SBR48, SBR60, SBR72



25769

Decal Placement**Applies to SBR48, SBR60, SBR72**

Ref	Part No.	Part Description	Comments	Revision
	Dwg 25769	Drawing Image Number		
1.	818-897C	RPBY 848-159C	Beige Unit	
1.	848-159C	DECAL LANDPRIDE 10" BROWN/GOLD	Green, Orange, Red & Blue Unit	
2.	838-517C	DECAL QUICK HITCH SYSTEM		
3.	848-149C	DECAL SBR72 GOLD		
3.	848-348C	DECAL SBR48 BROWN	Beige Unit	
3.	848-349C	DECAL SBR60 BROWN	Beige Unit	
3.	848-253C	RPBY 848-149C	Obsolete	
3.	848-350C	DECAL SBR48 GOLD	Green, Orange, Red & Blue Unit	
3.	848-351C	DECAL SBR60 GOLD	Green, Orange, Red & Blue Unit	

Land Pride Touch-up Paints

Applies to SBR48, SBR60, SBR72

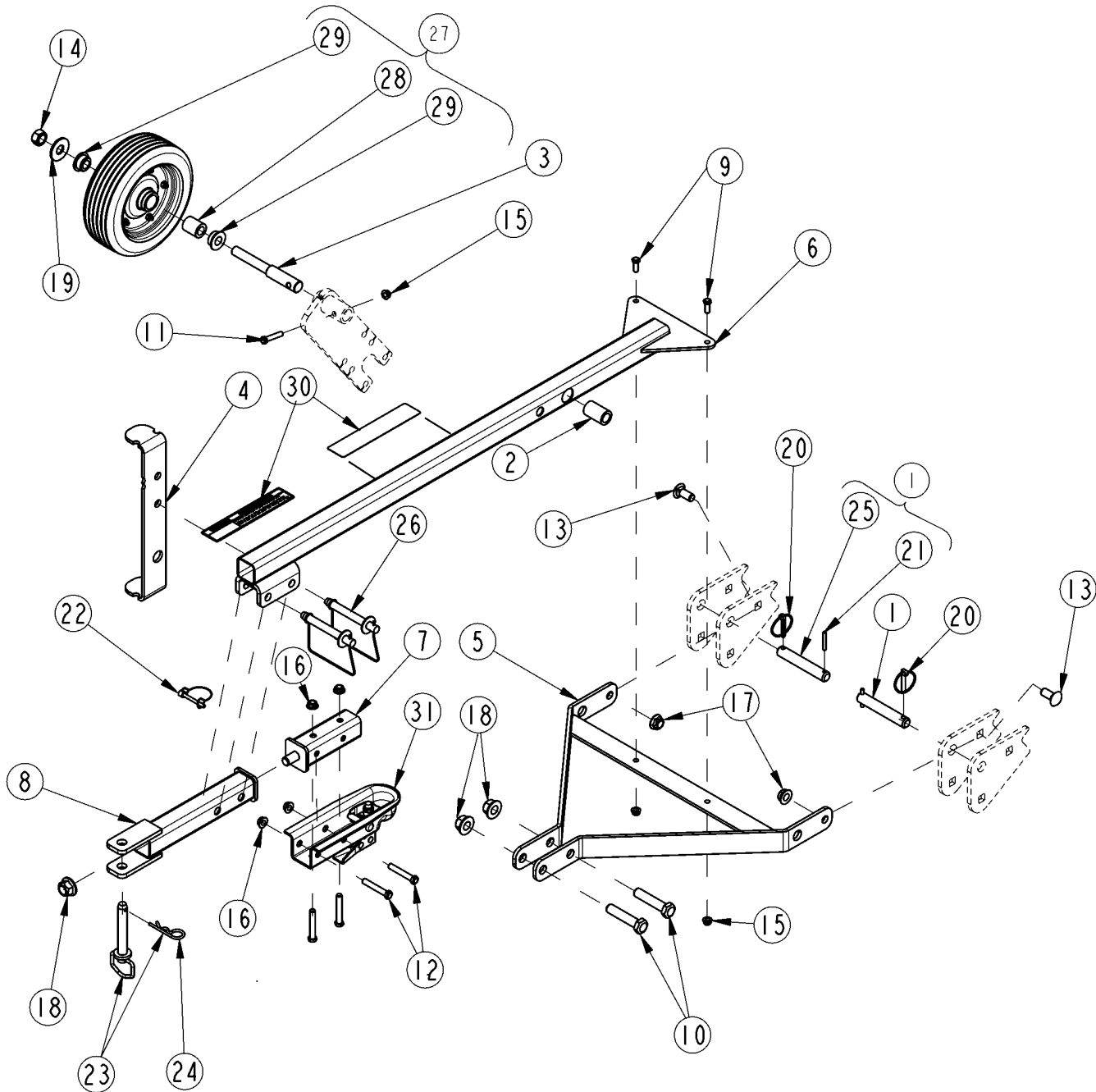
No diagram associated with this Parts List

Land Pride Touch-up Paints**Applies to SBR48, SBR60, SBR72**

Ref	Part No.	Part Description	Comments	Revision
1.	821-011C	LP BEIGE SPRAY CAN	Spray can	
1.	821-070C	GLOSS BLACK SPRAY CAN	Spray can	
1.	821-054C	MED. RED SPRAY TRCK/CTR	Spray can	
1.	821-058C	GREEN SPRAY CUTTERS	Spray can	
1.	821-066C	ORANGE SPRAY CAN	Spray can	
1.	821-067C	BLUE SPRAY CAN	Spray can	
1.	821-080C	PAINT ALUMINUM/ZINC SPRAY CAN	Spray can	
2.	821-011CTU	LP BEIGE TOUCH-UP 5OZ	Touch-up bottle with brush	
2.	821-070CTU	GLOSS BLACK TOUCH-UP 5OZ	Touch-up bottle with brush	
2.	821-054CTU	MED RED TOUCH-UP 5OZ	Touch-up bottle with brush	
2.	821-058CTU	GREEN TOUCH-UP 5OZ	Touch-up bottle with brush	
2.	821-066CTU	ORANGE TOUCH-UP 5OZ	Touch-up bottle with brush	
2.	821-067CTU	BLUE TOUCH-UP 5OZ	Touch-up bottle with brush	
2.	821-080CTU	PAINT ALUMINUM/ZINC TOUCH UP	Touch-up bottle with brush	
3.	821-011CQT	LP BEIGE QUART	Quart can	
3.	821-070CQT	GLOSS BLACK QUART	Quart can	
3.	821-054CQT	MED RED QUART	Quart can	
3.	821-058CQT	GREEN QUART	Quart can	
3.	821-066CQT	ORANGE QUART	Quart can	
3.	821-067CQT	BLUE QUART	Quart can	
3.	821-080CQT	PAINT ALUMINUM/ZINC QUART	Quart can	
4.	821-011CGL	LP BEIGE GALLON	Gallon can	
4.	821-070CGL	GLOSS BLACK GALLON	Gallon can	
4.	821-054CGL	MED RED GALLON	Gallon can	
4.	821-058CGL	GREEN GALLON	Gallon can	
4.	821-066CGL	ORANGE GALLON	Gallon can	
4.	821-067CGL	BLUE GALLON	Gallon can	
4.	821-080CGL	PAINT ALUMINUM/ZINC GALLON	Gallon can	

Hitch Pull Type

Applies to SBR48, SBR60, SBR72



25768

Hitch Pull Type**Applies to SBR48, SBR60, SBR72**

Ref	Part No.	Part Description	Comments	Revision
	dwg25768	Drawing Image Number		
1.	303-017S	LOWER HITCH PIN 7/8 X 5 5/8		
2.	308-400D	SPACER 1 1/4OD X 25/32ID X 2LG		
3.	322-196D	STUB WHEEL SHAFT		
4.	322-200D	HITCH STAND RR		
4.	322-200D81	HITCH STAND RR GREEN		
4.	322-200D82	HITCH STAND RR ORANGE		
4.	322-200D83	HITCH STAND RR RED		
4.	322-200D84	HITCH STAND RR BLUE		
5.	322-212H	FRAME HITCH WLDMT		
5.	322-212H81	FRAME HITCH WLDMT GREEN		
5.	322-212H82	FRAME HITCH WLDMT ORANGE		
5.	322-212H83	FRAME HITCH WLDMT RED		
5.	322-212H84	FRAME HITCH WLDMT BLUE		
6.	322-213H	TUBE HITCH INTERMEDIATE WLD		
7.	322-214H	HITCH PIVOT TUBE		
8.	322-260H	CLEVIS HITCH WLDMT		
9.	802-017C	HHCS 3/8-16X1 GR5		
10.	802-066C	HHCS 3/4-10X3 1/2 GR5		
11.	802-143C	HHCS 3/8-16X2 GR5		
12.	802-315C	HHCS 7/16-14X2 3/4 GR5		
13.	802-464C	RHSNB 5/8-11X1 1/2 GR5 PLT		
14.	803-026C	NUT LOCK 3/4-10 PLT		
15.	803-209C	NUT FLANGE LOCK 3/8-16 PLT		
16.	803-229C	NUT HEX FLANGE LOC 7/16-14 PLT		
17.	803-263C	NUT HEX FLANGE LOCK 5/8-11 PLT		
18.	803-299C	NUT HEX FLG TOP LK 3/4-10 PLT		
19.	804-024C	WASHER FLAT 3/4 USS PLT		
20.	805-015C	PIN LINCH 5/16 X 1 3/4		
21.	805-041C	PIN ROLL 1/4X1 3/4		
22.	805-065C	PIN WIRE RETAINING 1/4 X 1 3/4		
23.	805-081C	PIN HITCH 3/4 X 4 3/8		
24.	805-088C	PIN, HAIR COTTER 3/16 WIRE DIA		
25.	805-207C	PIN 7/8 OD X 4 15/32 USABLE		
26.	805-370C	PIN WIRE SNAP LOCK 5/8 X 4		
27.	814-188C	TIRE 10X3.25 SOLID STRT RIB CR		
28.	87410	HS CGD RLR BRG.75IDX1.37X1.5LG		
29.	87040	HS BRG 3/4ID X 1.407OD X 5/8LG		
30.	848-148C	DECAL WARNING NEG TONGUE RR		
31.	891-245C	HITCH, 2"BALL RECVR CLSS 2 PLT	S/N _____+	
31.	890-903C	RPBY 891-245C	S/N _____-	



Part Number Index

The Part Number Index is a numeric index of all part numbers included in this manual. The index shows what page(s) the part is used on.

Part Number	Page	Part Number	Page
303-017S	7, 9, 17	814-188C	17
307-028H	7	818-897C	13
307-030H	7	821-011C	15
307-031H	7, 9	821-011CGL	15
308-281D	7, 9	821-011CQT	15
308-398D	11	821-011CTU	15
308-399D	9	821-054C	15
308-400D	7, 9, 17	821-054CGL	15
322-196D	17	821-054CQT	15
322-200D	7, 9, 17	821-054CTU	15
322-200D81	7, 9, 17	821-058C	15
322-200D82	7, 9, 17	821-058CGL	15
322-200D83	7, 9, 17	821-058CQT	15
322-200D84	7, 9, 17	821-058CTU	15
322-211H	7, 9	821-066C	15
322-211H81	7, 9	821-066CGL	15
322-211H82	7, 9	821-066CQT	15
322-211H83	7, 9	821-066CTU	15
322-211H84	7, 9	821-067C	15
322-212H	7, 9, 17	821-067CGL	15
322-212H81	7, 9, 17	821-067CQT	15
322-212H82	7, 9, 17	821-067CTU	15
322-212H83	7, 9, 17	821-070C	15
322-212H84	7, 9, 17	821-070CGL	15
322-213H	17	821-070CQT	15
322-214H	17	821-070CTU	15
322-227H	11	821-080C	15
322-228A	11	821-080CGL	15
322-260H	17	821-080CQT	15
322-262D	11	821-080CTU	15
322-263D	11	822-085C	7, 9
322-293H	7, 9	838-517C	13
322-293H81	7, 9	848-148C	17
322-293H82	7, 9	848-149C	13
322-293H83	7, 9	848-159C	13
322-293H84	7, 9	848-253C	13
322-294H	7, 9	848-348C	13
322-294H81	7, 9	848-349C	13
322-294H82	7, 9	848-350C	13
322-294H83	7, 9	848-351C	13
322-294H84	7, 9	87040	17
322-297A	11	87410	17
322-298A	11	890-903C	17
802-017C	17	891-245C	17
802-022C	11	Dwg 25769	13
802-023C	9	dwg25766	7
802-066C	7, 9, 17	dwg25767	11
802-079C	7, 11	dwg25768	17
802-143C	17	dwg33567	9
802-315C	17		
802-453C	11		
802-464C	7, 9, 17		
803-014C	11		
803-026C	17		
803-209C	9, 11, 17		
803-229C	17		
803-263C	7, 9, 17		
803-299C	7, 9, 17		
804-012C	9, 11		
804-013C	7, 11		
804-024C	17		
804-029C	7, 9		
805-015C	7, 9, 17		
805-041C	7, 9, 17		
805-065C	17		
805-081C	17		
805-088C	17		
805-207C	7, 9, 17		
805-370C	7, 9, 17		
812-056C	7, 9		

This Page Intentionally Left Blank



Great Plains Manufacturing, Inc.

Corporate Office: P.O. Box 5060
Salina, Kansas 67402-5060 USA

www.landpride.com
