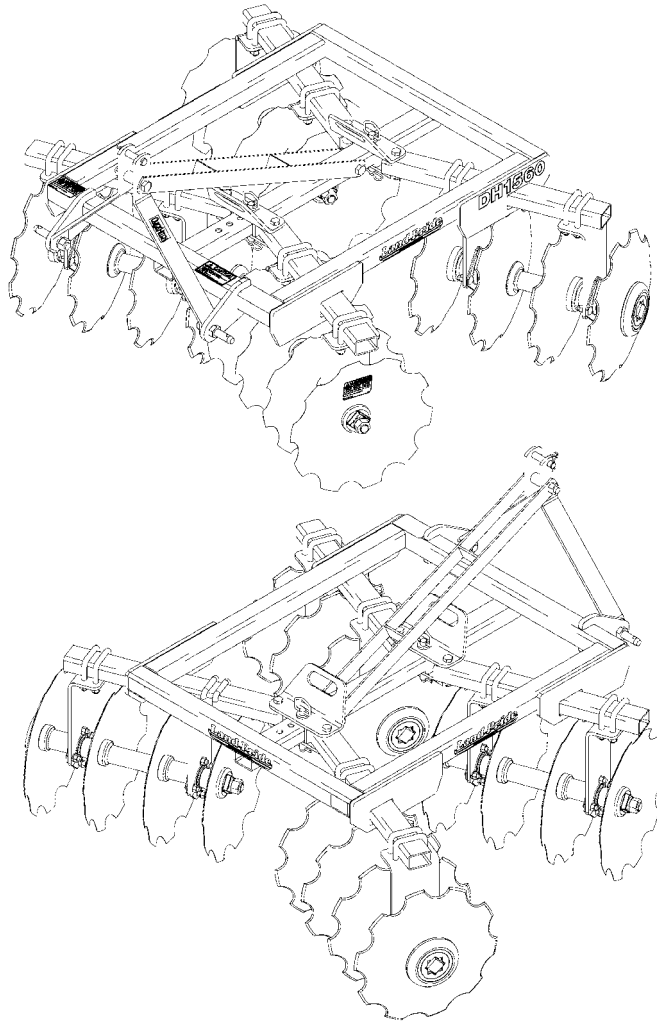


# Disc Harrows

---

**DH1560, DH1572, DH1590, DH2560, DH2572 & DH2596**



21452

**322-013P**  
**Parts Manual**



Read the Operator's Manual entirely. When you see this symbol, the subsequent instructions and warnings are serious - follow without exception. Your life and the lives of others depend on it!

© Copyright 2018 Printed 07/10/18

*Cover photo may show optional equipment not supplied with standard unit.*





# Table of Contents

---

**Section 1: Introduction.....4**  
 Using This Manual.....4  
 Manual Replacement Information.....4  
 Manual Revisions.....4  
 Touch-up Paint.....4  
 Hardware Legend.....5  
 Replacement Hardware.....5  
 Serial Numbers.....5  
 Part Number Service Coding.....5

## DH15 SERIES

**Section 2: Frame.....6**  
 Hitch and Frame.....6  
**Section 3: Disc Assembly.....8**  
 Disc DH1560 DH1572.....8  
 Disc DH1590.....10  
 Disc To Frame.....12  
**Section 4: Decals.....14**  
 Decal Placement DH15.....14  
 Land Pride Touch-up Paints.....16  
**Section 5: Options & Accessories.....18**  
 Center Sweep DH15.....18  
 Scraper Identification Drawing.....20  
 Scrapers (DH1560).....22  
 Scrapers (DH1572).....24  
 Scrapers (DH1590).....26  
 Spreader/Hitch Option.....28

## DH25 SERIES

**Section 6: Frame.....30**  
 Hitch and Frame.....30  
**Section 7: Disc Assembly.....32**  
 Disc To Frame.....32  
 Discs (DH2560 and DH2572).....34  
 Discs (DH2596).....36  
**Section 8: Decals.....38**  
 Decal Placement.....38  
 Land Pride Touch-up Paints.....40  
**Section 9: Options & Accessories.....42**  
 Center Sweep.....42  
 Scraper Identification Drawing.....44  
 Scrapers (DH2560).....46  
 Scrapers (DH2572).....48  
 Scrapers (DH2596).....50  
 Spreader/Hitch Option.....52

**Part Number Index.....54**

© Copyright 2018. All rights reserved.

Land Pride provides this publication “as is” without warranty of any kind, either expressed or implied. While every precaution has been taken in the preparation of this manual, Land Pride assumes no responsibility for errors or omissions. Neither is any liability assumed for damages resulting from the use of the information contained herein. Land Pride reserves the right to revise and improve its products as it sees fit. This publication describes the state of this product at the time of its publication, and may not reflect the product in the future. The illustrations in this manual are not intended for safe and proper assembly or disassembly of equipment. The illustrations are intended for ordering parts only.

Land Pride is registered trademark.

All other brands and product names are trademarks or registered trademarks of their respective holders.

*Printed in the United States of America.*



# Alphabetized Table of Contents

---

## DH15 SERIES

**C**  
Center Sweep DH15.....18

**D**  
Decal Placement DH15.....14  
Disc DH1560 DH1572.....8  
Disc DH1590.....10  
Disc To Frame.....12

**H**  
Hitch and Frame.....6

**L**  
Land Pride Touch-up Paints.....16

**S**  
Scraper Identification Drawing.....20  
Scrapers (DH1560).....22  
Scrapers (DH1572).....24  
Scrapers (DH1590).....26  
Spreader/Hitch Option.....28

## DH25 SERIES

**C**  
Center Sweep.....42

**D**  
Decal Placement.....38  
Disc To Frame.....32  
Discs (DH2560 and DH2572).....34  
Discs (DH2596).....36

**H**  
Hitch and Frame.....30

**L**  
Land Pride Touch-up Paints.....40

**S**  
Scraper Identification Drawing.....44  
Scrapers (DH2560).....46  
Scrapers (DH2572).....48  
Scrapers (DH2596).....50  
Spreader/Hitch Option.....52

# General Information

## Using This Manual

This manual is divided into sections. The first section contains General Information. The remaining sections divide the machine into segments (i.e. Frames, Drives, Hydraulics, etc.) which illustrate and list all parts. A Parts Number Index is located at the back of the book.

The Land Pride parts in this manual are specially designed for this machine and should be replaced with Land Pride parts only.

The information in this manual is current at time of printing. Some parts may change to assure top performance.

Right-hand and left-hand as used in this manual are determined by facing the direction the machine will travel while in use.

Below is an example of two facing pages from a parts manual. Familiarize yourself with the type of information contained on these pages.

## Manual Replacement Information

Replacement manuals are available. Refer to our website at [www.landpride.com](http://www.landpride.com) or e-mail us at [lit@landpride.com](mailto:lit@landpride.com) for additional information. Our website continues to provide the most up-to-date manuals available.

## Touch-up Paint

Repaint parts where paint is worn or scratched to prevent rust. Aerosol cans and touch-up bottles with brush applicator are available through your local dealer. Also available are quart and gallon size paints. Add QT or GL to end of the Aerosol P/N.

Land Pride color descriptions and part numbers are listed on the "Land Pride Touch-up Paints" page in the "Decals" section of this book. Color options vary by product.



## General Information

### Hardware Legend

<b>AR</b>	As Required
<b>BLADE</b>	Blade Bolt
<b>C</b>	Cap Screw
<b>CP</b>	Cotter Pin
<b>CPHSSS</b>	Cup Point Hex Socket Set Screw
<b>CPSHSS</b>	Cup Point Square Head Set Screw
<b>CPSQHSS</b>	Cup Point Square Head Set Screw
<b>CRFCHMS3</b>	Cross Recess Flat Countersunk Head Machine Screw
<b>CRPHMS</b>	Cross Recess Pan Head Machine Screw
<b>CRPHTF</b>	Cross Recess Pan Head Thread Forming
<b>CRRHMS</b>	Cross Recess Round Head Machine Screw
<b>CRTHMS</b>	Cross Recess Truss Head Machine Screw
<b>CSNB</b>	Countersunk Square Neck Bolt
<b>FHMS</b>	Flat Head Machine Screw
<b>FTC</b>	Full Thread Cap Screw
<b>H</b>	Hex Nut
<b>HCLN</b>	Hex Center Lock Nut
<b>HFLCS</b>	Hex Flange Lock Cap Screw
<b>HFS</b>	Hex Flange Screw
<b>HFSLN</b>	Hex Flange Serrated Lock Nut
<b>HFSS</b>	Hex Flange Serrated Screw
<b>HHCS</b>	Hex Head Cap Screw or Metric Bolt
<b>HSBHCS</b>	Hex Socket Button Head Cap Screw
<b>HSFCHCS</b>	Hex Socket Flat Countersunk Head Cap Screw
<b>HSHCS</b>	Hex Socket Head Cap Screw
<b>HSSS</b>	Hex Socket Head Screw
<b>HTLN</b>	Hex Top Lock Nut
<b>HWHCS</b>	Hex Washer Head Cap Screw

<b>HWHMS</b>	Hex Washer Head Machine Screw
<b>HXBHCS</b>	Hex Socket Button Head Cap Screw
<b>J</b>	Hex Jam Nut
<b>JIC</b>	37 Degree Tapered Thread
<b>L</b>	Helical Spring Lock Washer
<b>LUG</b>	Lug Bolt
<b>NFC</b>	National Fine Cap Screw
<b>NPSM</b>	National Pipe Straight Mechanical
<b>NPTF</b>	National Pipe Taper Fuel
<b>P</b>	Wide Plain Washer
<b>PHMS</b>	Pan Head Machine Screw
<b>PLOW</b>	Plow Bolt
<b>RHMS</b>	Round Head Machine Screw
<b>RHSNB</b>	Round Head Square Neck Bolt
<b>SCREW LEVELING</b>	Leveling Screw
<b>SCREW THUMB</b>	Thumb Screw
<b>SCREW WELD</b>	Weld Screw
<b>SFCHMS</b>	Slotted Flat Countersunk Head Machine Screw
<b>SFHMS</b>	Slotted Fillister Head Machine Screw
<b>SP</b>	Special
<b>SP SCREW</b>	Special Screw
<b>SOHSS</b>	Square Head Set Screw
<b>SRHMS</b>	Slotted Round Head Machine Screw
<b>SSS</b>	Socket Set Screw
<b>STCS</b>	Self Tapping Cap Screw
<b>STHMS</b>	Slotted Truss Head Machine Screw
<b>WHEEL</b>	Wheel Studs and Hub Long Bolts
<b>WING</b>	Wing Bolt

### Replacement Hardware

The **Hardware Legend** above lists hardware abbreviations used in the parts list. All bolts and nuts are Grade 5 unless otherwise noted. The use of improper grades of hardware can result in personal injury, damage to equipment, or loss of property.

### Colored Replacement Parts

Land Pride offers replacement parts in factory standard colors and also on select models in Green, Orange, Red and Blue. Because of the variety of colors available, special attention must be given to the part number to prevent ordering the wrong replacement part.

A suffix number corresponding to one of the colors below must be added at the end of Land Pride's part number when ordering a replacement part with that color.

**81 . . . . . Green      83 . . . . . Red**  
**82 . . . . . Orange    84 . . . . . Blue**

For example, if you are ordering a replacement part with part number 555-555C and the part you need is red, then add the suffix 83 to the end of the number to make the part number read 555-555C83. Parts ordered without a suffix number will be supplied in factory standard colors.

### Black Replacement Parts

Some parts are factory standard black and some must be special ordered black. If your part is special ordered black, a second part number with the additional suffix number 85 on the end will be available. In this situation you must order that part with the suffix number for it to be black. Parts that are factory standard black will not have the suffix number.

### Part Number Service Coding

Within the parts list some part numbers are coded for revisions and interchangeability. See notations in revision column.

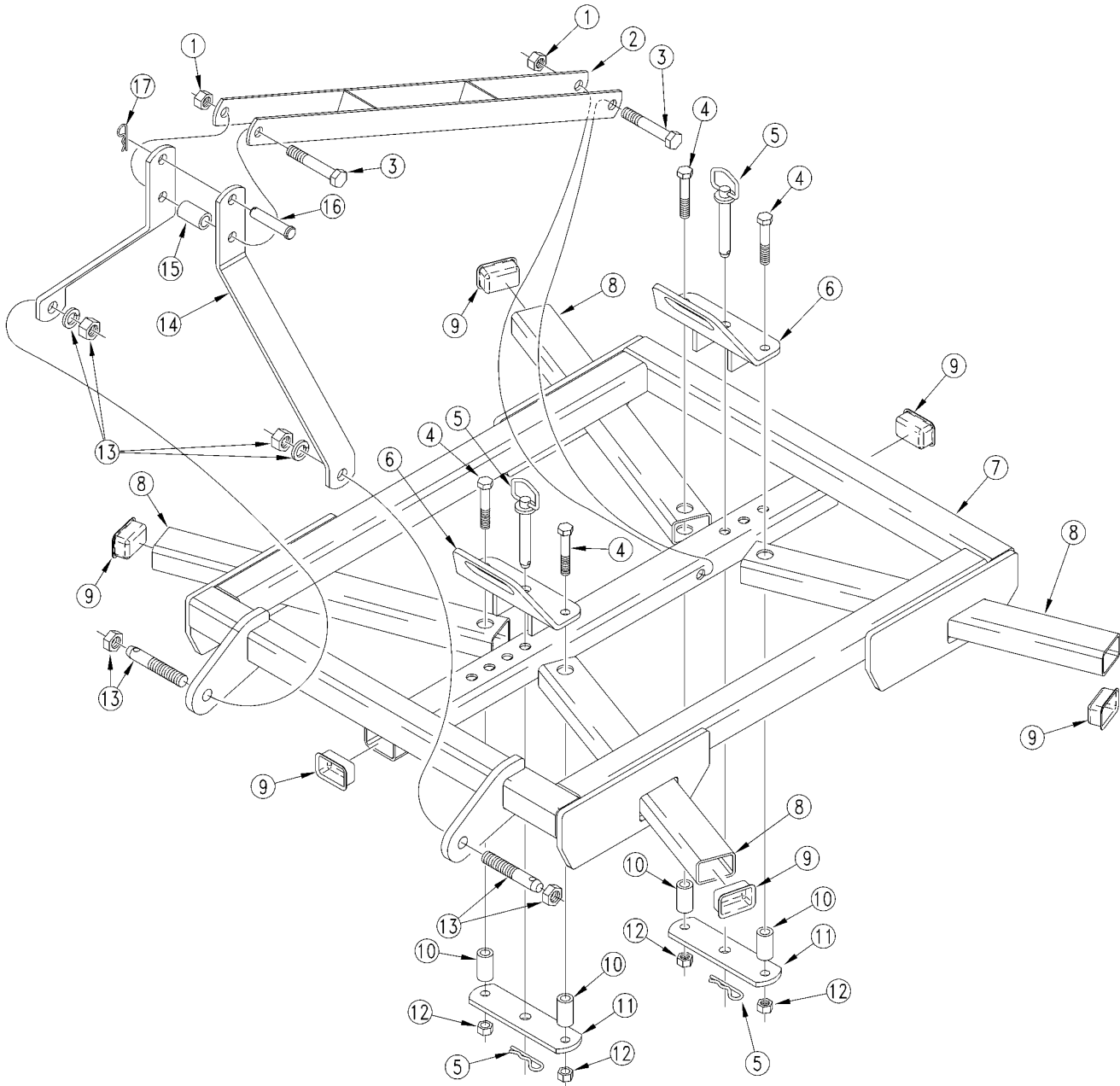
### Serial Numbers

Always use the serial and model number when ordering parts. Refer to the Operator's Manual for serial number plate location.

- |                      |  |
|----------------------|--|
| (S/N 20001+)         | Includes serial numbers 20001 and above (to the latest number)   |
| (S/N 10001 to 20000) | Includes serial numbers between and including 10001 and 20000    |
| (S/N 10000-)         | Includes serial numbers 10000 and below (to the earliest number) |

## Hitch and Frame

Applies to DH1560, DH1572, DH1590



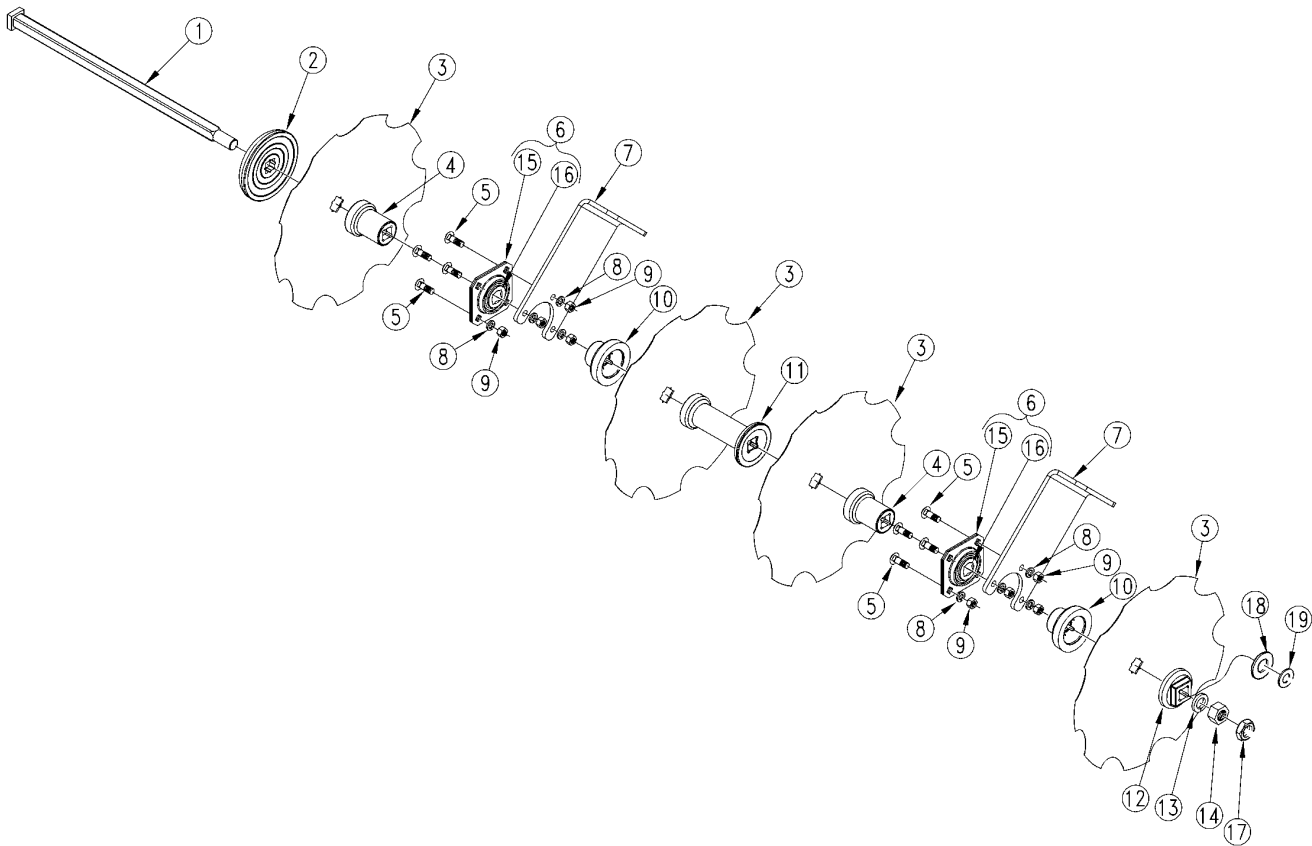
17806

**Hitch and Frame****Applies to DH1560, DH1572, DH1590**

<b>Ref</b>	<b>Part No.</b>	<b>Part Description</b>	<b>Comments</b>	<b>Revision</b>
	dwg17806	Drawing Image Number		
1.	803-026C	NUT LOCK 3/4-10 PLT		
2.	322-015H	DH1560/72 UPPER 3PT REAR BRACE		
2.	322-015H82	UPPER 3PT REAR BRACE ORANGE		
3.	802-192C	HHCS 3/4-10X4 1/2 GR5		
4.	802-162C	HHCS 5/8-11X3 1/2 GR5		
5.	805-081C	PIN HITCH 3/4 X 4 3/8		
6.	322-005H	DISC AJUSTABLE SLIDE WELDMENT		
6.	322-005H82	DISC ADJUSTABLE SLIDE ORANGE		
7.	322-002H	DH1560/72 CAT 1 DISC FRAME WLD		
7.	322-002H82	DH 15 SERIES FRAME ORANGE		
8.	322-006D	DH1560 FRONT/BACK SWING ARM TB		
8.	322-006D82	DH1560 SWING ARM TUBE ORANGE		
8.	322-015D	DH1572 FRONT/BACK SWING ARM TB		
8.	322-015D82	DH1572 SWING ARM TUBE ORANGE		
8.	322-251D	DH1590 SWING ARM TUBE		
8.	322-251D82	DH1590 SWING ARM TUBE ORANGE		
9.	817-387C	PLASTIC END CAP 3X2X3/16 WL TB		
10.	322-017D	DISC SPACER TUBE SWING ARM		
11.	322-013D	DISC SLIDE BOTTOM BRACKET		
11.	322-013D82	DISC SLIDE BOTTOM BKT ORANGE		
12.	803-024C	NUT LOCK 5/8-11 PLT		
13.	805-111C	PIN DRAW 7/8 X 5		
14.	322-010D	DISC UPPER 3PT STRAP SHORT		
14.	322-010D82	UPPER 3PNT STRAP SHORT ORANGE		
15.	322-009D	SPACER 1 1/4ODX7/32WLX2.12LG		
16.	805-142C	PIN CLEVIS 3/4 X 3 1/2 PLT		
17.	805-143C	PIN HAIR COTTER .120 PLT		

**Disc DH1560 DH1572**

Applies to DH1560, DH1572



17807

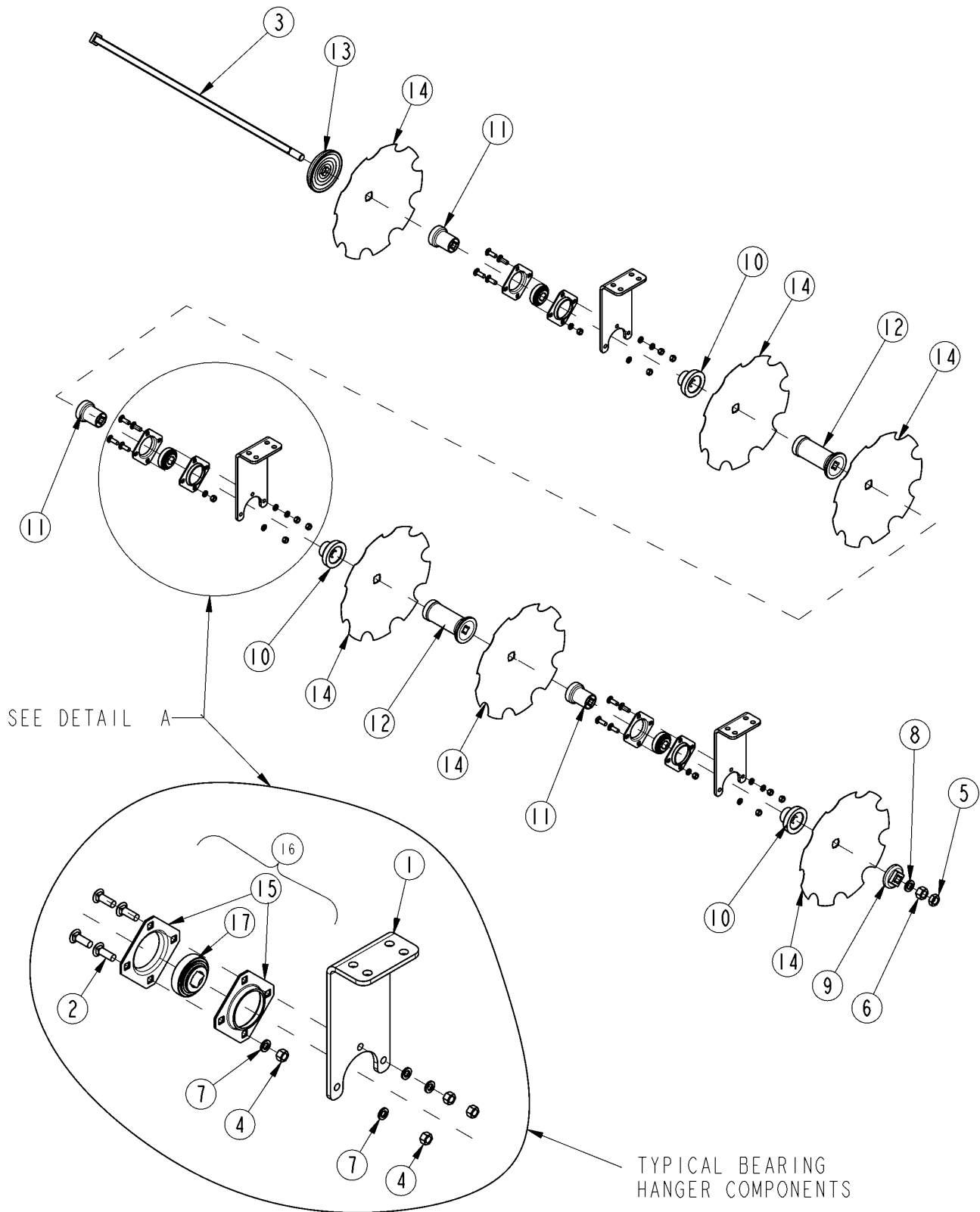


**Disc DH1560 DH1572****Applies to DH1560, DH1572**

Ref	Part No.	Part Description	Comments	Revision
	dwg17807	Drawing Image Number		
	322-001S	4-18IN NOTCHED DISC SUB-ASSY	DH1560 Shown	
	322-006S	5-18IN NOTCHED DISC SUB-ASSY	DH1572	
	322-011S	4-18IN ROUND DISC SUB-ASSEMBLY	DH1560	
	322-012S	5-18IN ROUND DISC SUB-ASSEMBLY	DH1572	
1.	802-635C	SP SQHD 1-8 X 26.38 SQ.SHANK	DH1560 Shown	
1.	802-667C	SP SQHD 1-8 X 33.75 SQ.SHANK	DH1572	
2.	812-280C	DISC HARROW LARGE CAP CASTING		
3.	820-221C	18IN 3MM NOTCHED DISC BLD SQHL	DH1560 4 Discs per Gang 5 Discs per Gang	DH1572
3.	820-223C	18IN 3MM PLAIN DISC BLADE SQHL	DH1560 4 Discs per Gang 5 Discs per Gang	DH1572
4.	812-278C	DISC HARROW 3 5/8LG SPCR CAST.		
5.	802-106C	RHSNB 1/2-13X1 1/2 GR5		
6.	822-180C	FLANGED BEARING INCORP BALLBRG		
7.	322-002D	DISC HANGER BRACKET		
8.	804-015C	WASHER LOCK SPRING 1/2 PLT		
9.	803-020C	NUT HEX 1/2-13 PLT		
10.	812-277C	DISC HARROW 2 3/8LG SPCR CAST.		
11.	812-279C	DISC HARROW 7 7/16LG SPCR CAST		
12.	812-276C	DISC HARROW SMALL CAP CASTING		
13.	804-027C	WASHER LOCK SPRING 1 PLT		
14.	803-031C	NUT HEX 1-8 PLT		
15.	822-179C	FLANGETTE 4 BLT FLG,4.687 B.C.		
16.	822-181C	BRG SPHERE 1SQ.B. W208PPB6-NCO		
17.	803-030C	NUT HEX JAM 1-8 PLT	S/N 393572+	
18.	804-171C	WASHER FLAT 1 3/8HARD ASTM436	As Required	
19.	804-029C	WASHER FLAT 1 SAE	As required	

**Disc DH1590**

Applies to DH1590



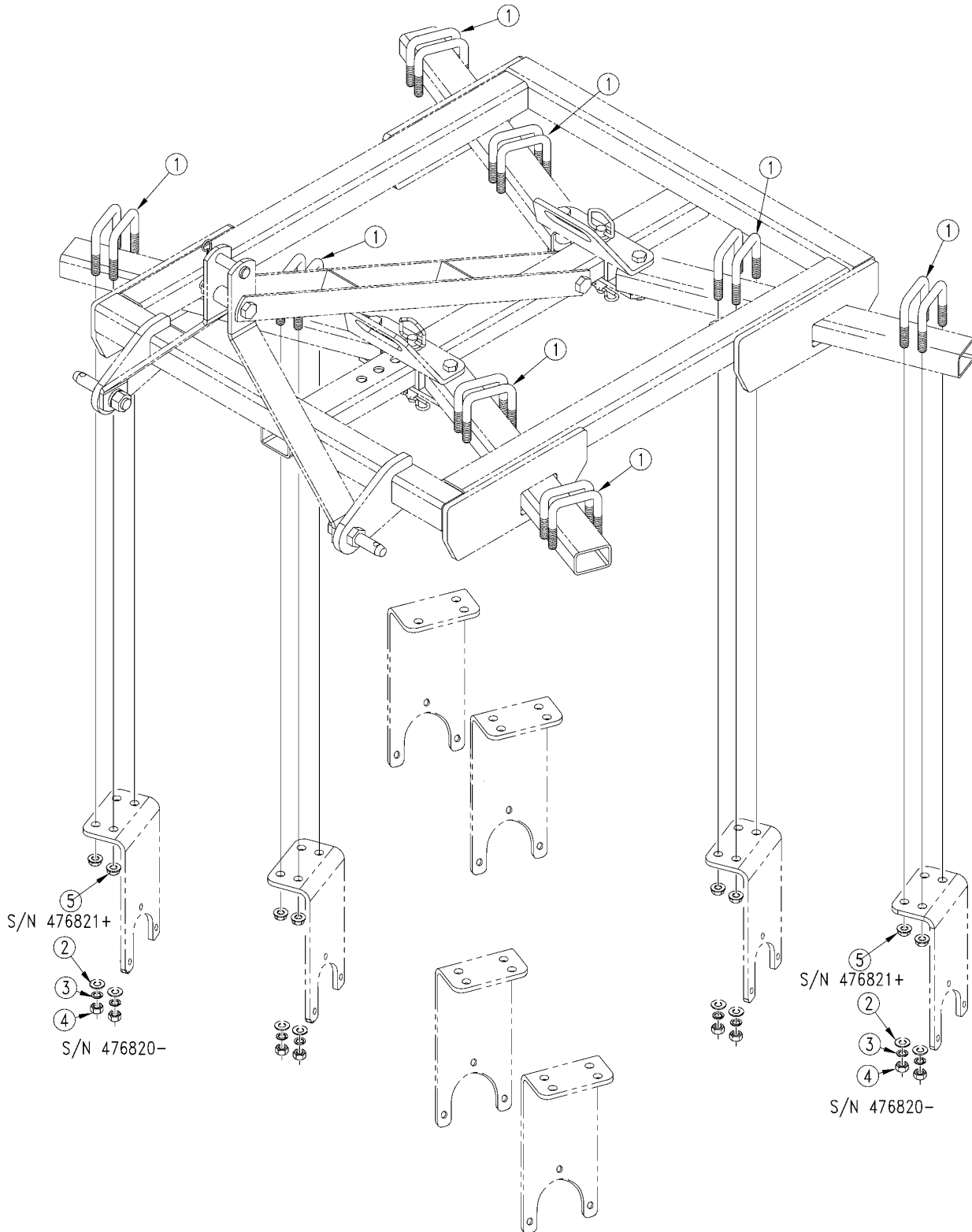
26630

**Disc DH1590****Applies to DH1590**

<b>Ref</b>	<b>Part No.</b>	<b>Part Description</b>	<b>Comments</b>	<b>Revision</b>
	dwg26630	Drawing Image Number		
	322-271S	6-18IN NOTCHED DISC SUB-ASY		
	322-275S	6-18IN SMOOTH DISC SUB-ASY		
		*		
1.	322-002D	DISC HANGER BRACKET		
2.	802-106C	RHSNB 1/2-13X1 1/2 GR5		
3.	802-864C	SP SQHD 1-8 X 41.37 SQ.SHANK		
4.	803-020C	NUT HEX 1/2-13 PLT		
5.	803-030C	NUT HEX JAM 1-8 PLT		
6.	803-031C	NUT HEX 1-8 PLT		
7.	804-015C	WASHER LOCK SPRING 1/2 PLT		
8.	804-027C	WASHER LOCK SPRING 1 PLT		
9.	812-276C	DISC HARROW SMALL CAP CASTING		
10.	812-277C	DISC HARROW 2 3/8LG SPCR CAST.		
11.	812-278C	DISC HARROW 3 5/8LG SPCR CAST.		
12.	812-279C	DISC HARROW 7 7/16LG SPCR CAST		
13.	812-280C	DISC HARROW LARGE CAP CASTING		
14.	820-221C	18IN 3MM NOTCHED DISC BLD SQHL		
14.	820-223C	18IN 3MM PLAIN DISC BLADE SQHL		
15.	822-179C	FLANGETTE 4 BLT FLG,4.687 B.C.		
16.	822-180C	BRG FLG 1.00SQ 4BOLT		
17.	822-181C	BRG INS 1.00SQX3.14OD SPH		

# Disc To Frame

Applies to DH1560, DH1572, DH1590



## ***Disc To Frame***

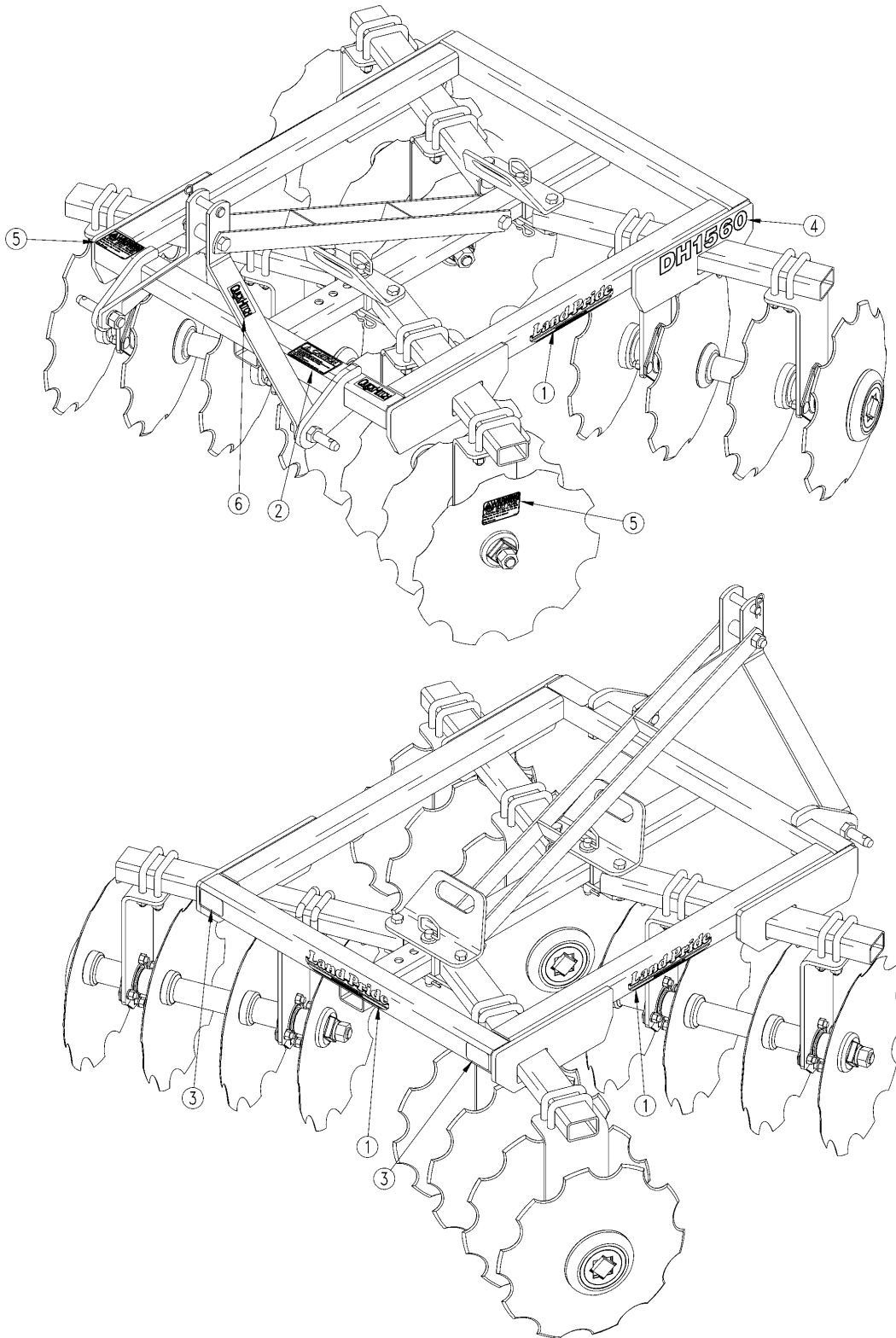
---

### **Applies to DH1560, DH1572, DH1590**

<b>Ref</b>	<b>Part No.</b>	<b>Part Description</b>	<b>Comments</b>	<b>Revision</b>
	dwg17813	Drawing Image Number		
1.	806-157C	U-BOLT 5/8-11 X 3 1/32 X 3 1/2		
2.	804-021C	WASHER FLAT 5/8 SAE PLT	S/N 476820-	
3.	804-022C	WASHER LOCK SPRING 5/8 PLT	S/N 476820-	
4.	803-021C	NUT HEX 5/8-11 PLT	S/N 476820-	
5.	803-304C	NUT HEX WHIZ 5/8-11 PLT	S/N 824186+	
5.	803-263C	NUT HEX FLANGE LOCK 5/8-11	S/N 476821 to 824185	

### Decal Placement DH15

Applies to DH1560, DH1572, DH1590



17808

**Decal Placement DH15****Applies to DH1560, DH1572, DH1590**

<b>Ref</b>	<b>Part No.</b>	<b>Part Description</b>	<b>Comments</b>	<b>Revision</b>
	Dwg 17808	Drawing Image Number		
	322-054A	DH1560 DECAL PACKAGE		
	322-055A	DH1572 DECAL PACKAGE		
1.	818-897C	RPBY 848-159C	Beige Unit	
1.	848-159C	DECAL LANDPRIDE 10" BROWN/GOLD	Orange Unit	
2.	818-719C	DECAL CAUTION GENERAL INSTR		
3.	858-095C	DECAL REFLECTOR RED 2X4.5	S/N 821694+ DH1560 & DH1572	
3.	838-614C	DECAL REFLECTOR RED 2X9	S/N 821694+ DH1590	
3.	818-230C	DECAL RED REFLECTOR	S/N 821693-	
4.	838-080C	DECAL DH1560-GOLD		
4.	848-194C	RPBY 838-080C	Obsolete	
4.	838-081C	DECAL DH1572-GOLD		
4.	848-195C	RPBY 838-081C	Obsolete	
4.	848-269C	DECAL DH1590 GOLD		
4.	848-270C	RPBY 848-269C	Obsolete	
5.	838-093C	DECAL SHARP OBJ HAZARD DISCS		
6.	838-517C	DECAL QUICK HITCH SYSTEM		

***Land Pride Touch-up Paints***

---

Applies to DH1560, DH1572, DH1590

**No diagram associated with this Parts List**

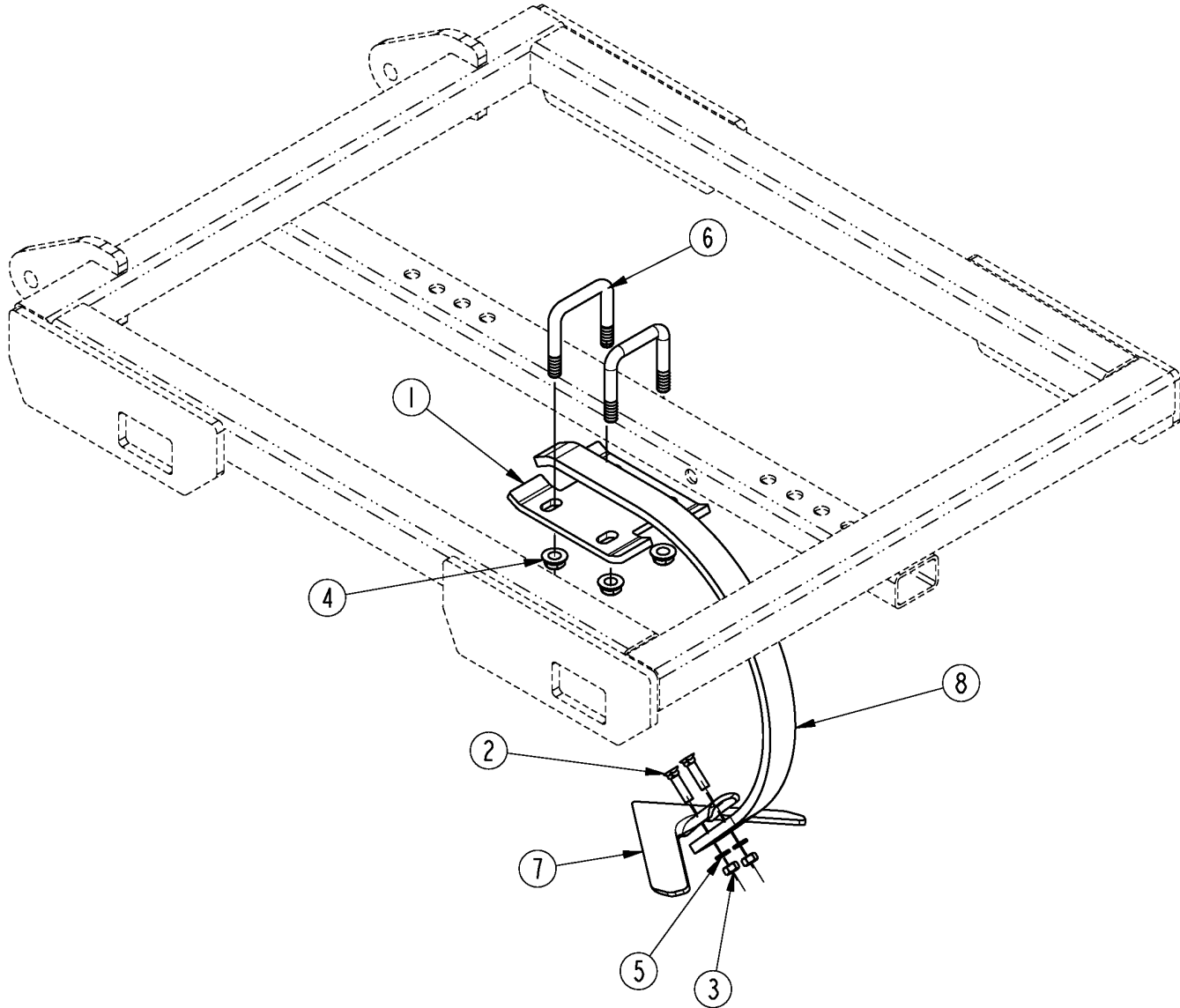


**Land Pride Touch-up Paints****Applies to DH1560, DH1572, DH1590**

<b>Ref</b>	<b>Part No.</b>	<b>Part Description</b>	<b>Comments</b>	<b>Revision</b>
1.	821-011C	LP BEIGE SPRAY CAN	Spray can	
1.	821-070C	GLOSS BLACK SPRAY CAN	Spray can	
1.	821-054C	MED. RED SPRAY TRCK/CTR	Spray can	
1.	821-058C	GREEN SPRAY CUTTERS	Spray can	
1.	821-066C	ORANGE SPRAY CAN	Spray can	
1.	821-067C	BLUE SPRAY CAN	Spray can	
1.	821-080C	PAINT ALUMINUM/ZINC SPRAY CAN	Spray can	
2.	821-011CTU	LP BEIGE TOUCH-UP 5OZ	Touch-up bottle with brush	
2.	821-070CTU	GLOSS BLACK TOUCH-UP 5OZ	Touch-up bottle with brush	
2.	821-054CTU	MED RED TOUCH-UP 5OZ	Touch-up bottle with brush	
2.	821-058CTU	GREEN TOUCH-UP 5OZ	Touch-up bottle with brush	
2.	821-066CTU	ORANGE TOUCH-UP 5OZ	Touch-up bottle with brush	
2.	821-067CTU	BLUE TOUCH-UP 5OZ	Touch-up bottle with brush	
2.	821-080CTU	PAINT ALUMINUM/ZINC TOUCH UP	Touch-up bottle with brush	
3.	821-011CQT	LP BEIGE QUART	Quart can	
3.	821-070CQT	GLOSS BLACK QUART	Quart can	
3.	821-054CQT	MED RED QUART	Quart can	
3.	821-058CQT	GREEN QUART	Quart can	
3.	821-066CQT	ORANGE QUART	Quart can	
3.	821-067CQT	BLUE QUART	Quart can	
3.	821-080CQT	PAINT ALUMINUM/ZINC QUART	Quart can	
4.	821-011CGL	LP BEIGE GALLON	Gallon can	
4.	821-070CGL	GLOSS BLACK GALLON	Gallon can	
4.	821-054CGL	MED RED GALLON	Gallon can	
4.	821-058CGL	GREEN GALLON	Gallon can	
4.	821-066CGL	ORANGE GALLON	Gallon can	
4.	821-067CGL	BLUE GALLON	Gallon can	
4.	821-080CGL	PAINT ALUMINUM/ZINC GALLON	Gallon can	

## Center Sweep DH15

Applies to DH1560, DH1572, DH1590



20562

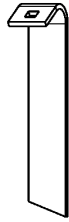
**Center Sweep DH15****Applies to DH1560, DH1572, DH1590**

<b>Ref</b>	<b>Part No.</b>	<b>Part Description</b>	<b>Comments</b>	<b>Revision</b>
	dwg20562	Drawing Image Number		
	322-058A	DH15 CENTER SWEEP ASSEMBLY		
	322-058A82	DH15 CENTER SWEEP ASY ORANGE		
	322-059A	DH25 CENTER SWEEP ASSEMBLY		
	322-059A82	DH25 CENTER SWEEP ASY ORANGE		
1.	322-042D	DISC SWEEP SPRING BRACKET		
1.	322-042D82	DISC SWEEP SPRING BKT ORANGE		
2.	802-090C	PLOW 7/16-14X1 3/4 GR5		
3.	803-015C	NUT HEX 7/16-14 PLT		
4.	803-263C	NUT HEX FLANGE LOCK 5/8-11 PLT		
5.	804-014C	WASHER LOCK 7/16 PLT		
6.	806-157C	U-BOLT 5/8-11 X 3 1/32 X 3 1/2	DH15 Harrows	
6.	806-161C	U-BOLT 5/8-11 X 4 1/32 X 4 3/4	DH25 Harrows	
7.	820-064C	CULTVTR SWEEP 9 IN HARD FACED		
8.	820-241C	DISC HARROW SWEEP ARM SHORT	DH15 Harrows	
8.	820-240C	DISC HARROW SWEEP ARM LONG	DH25 Harrows	

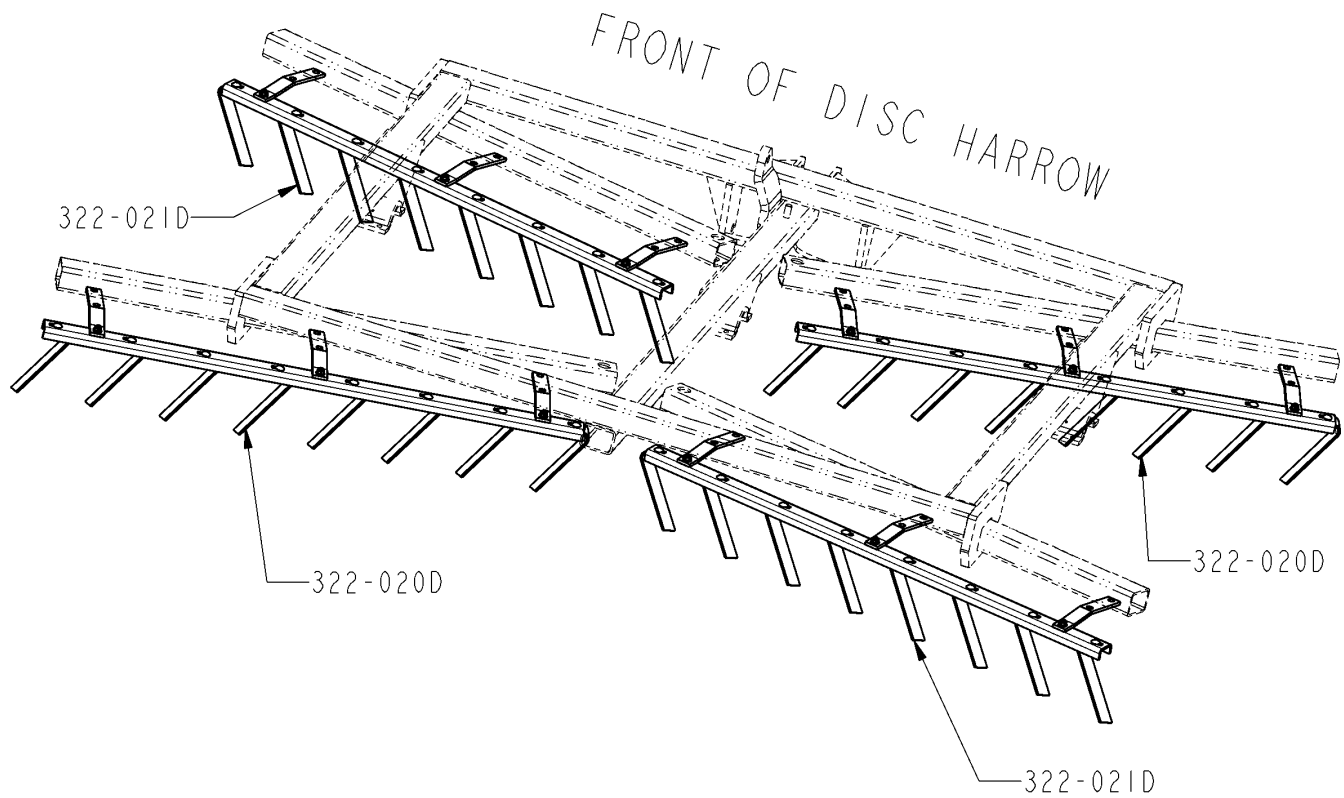
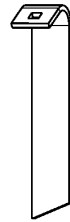
## Scraper Identifaction Drawing

Applies to DH1560, DH1572, DH1590

322-021D



322-020D



## ***Scraper Identification Drawing***

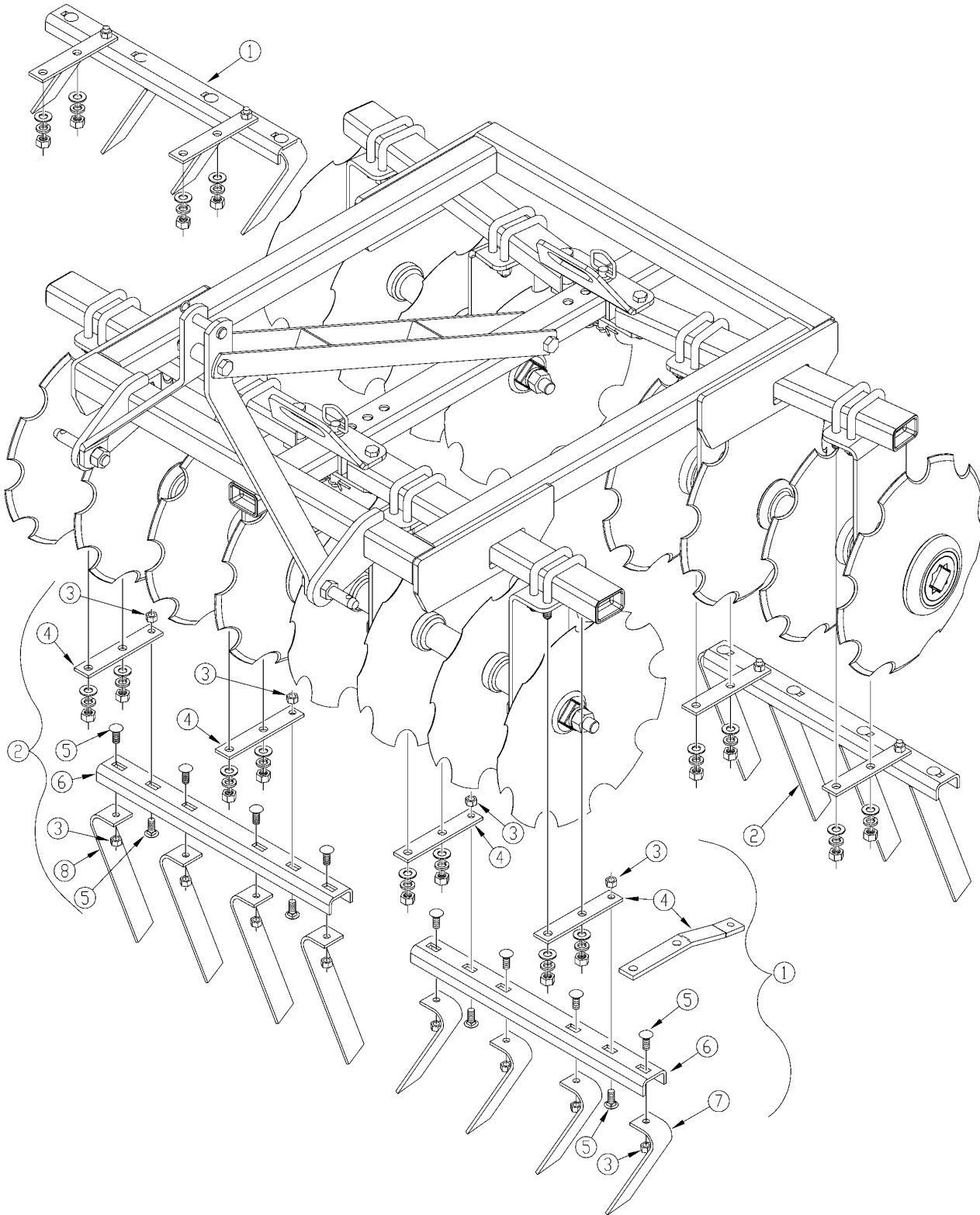
---

**Applies to DH1560, DH1572, DH1590**

<b>Ref</b>	<b>Part No.</b>	<b>Part Description</b>	<b>Comments</b>	<b>Revision</b>
	dwg27560	Drawing Image Number No Parts Listing Required		

## Scrapers (DH1560)

Applies to DH1560



18197

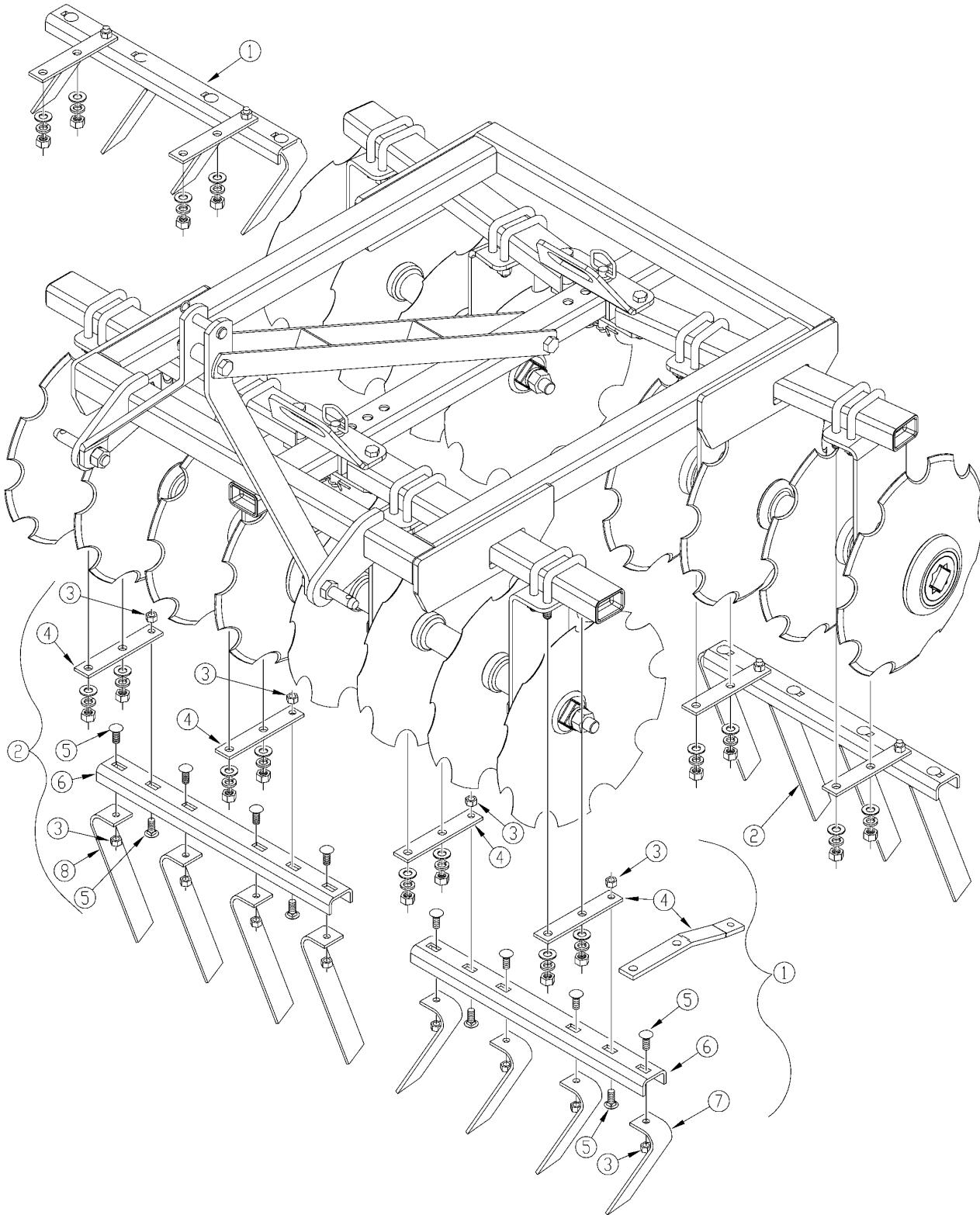
## Scrapers (DH1560)

### Applies to DH1560

Ref	Part No.	Part Description	Comments	Revision
	dwg18197	Drawing Image Number		
	322-040A	DH1560 SCRAPER BUNDLE 7 1/2		
1.	322-017K	DH1560 CUP LEFT SCRAPER ASY		
2.	322-016K	DH1560 CUP RIGHT SCRAPER ASY		
3.	803-169C	NUT HEX FLG. LOCK 1/2-13 PLT.		
4.	322-018D	SCRAPER HANGER		
5.	802-214C	RHSNB 1/2-13X1 1/4 GR5		
6.	322-019D	SCRAPER MOUNT		
7.	322-021D	SCRAPER CUP LEFT		
8.	322-020D	SCRAPER CUP RIGHT		

## Scrapers (DH1572)

Applies to DH1572



18197



## Scrapers (DH1572)

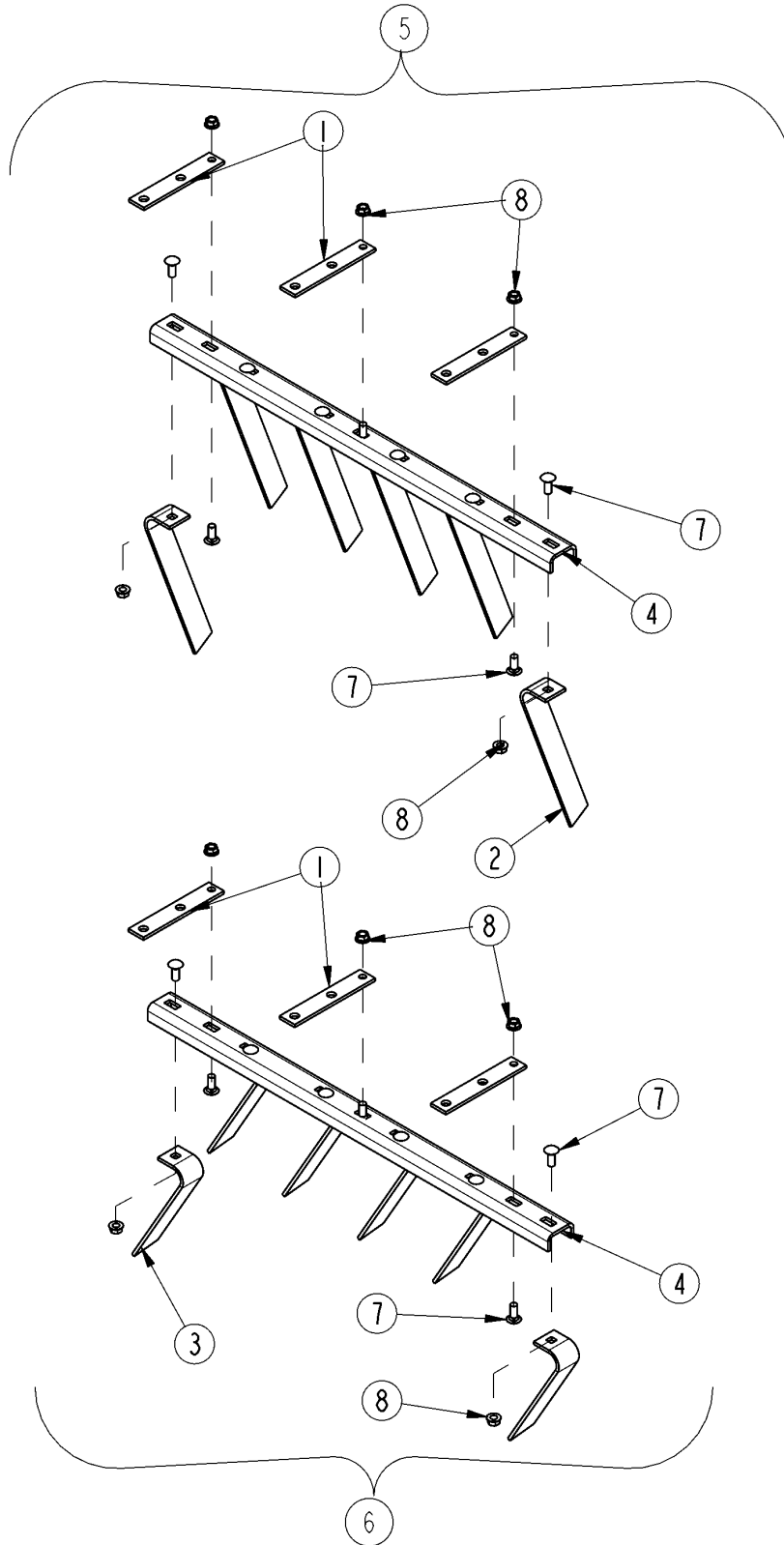
---

### Applies to DH1572

Ref	Part No.	Part Description	Comments	Revision
	dwg18197	Drawing Image Number		
	322-041A	DH1572 SCRAPER BUNDLE 7 1/2		
1.	322-019K	DH1572 CUP LEFT SCRAPER ASY		
2.	322-018K	DH1572 CUP RIGHT SCRAPER ASY		
3.	803-169C	NUT HEX FLG. LOCK 1/2-13 PLT.		
4.	322-018D	SCRAPER HANGER		
5.	802-214C	RHSNB 1/2-13X1 1/4 GR5		
6.	322-022D	SCRAPER MOUNT		
7.	322-021D	SCRAPER CUP LEFT		
8.	322-020D	SCRAPER CUP RIGHT		

## Scrapers (DH1590)

Applies to DH1590



26629

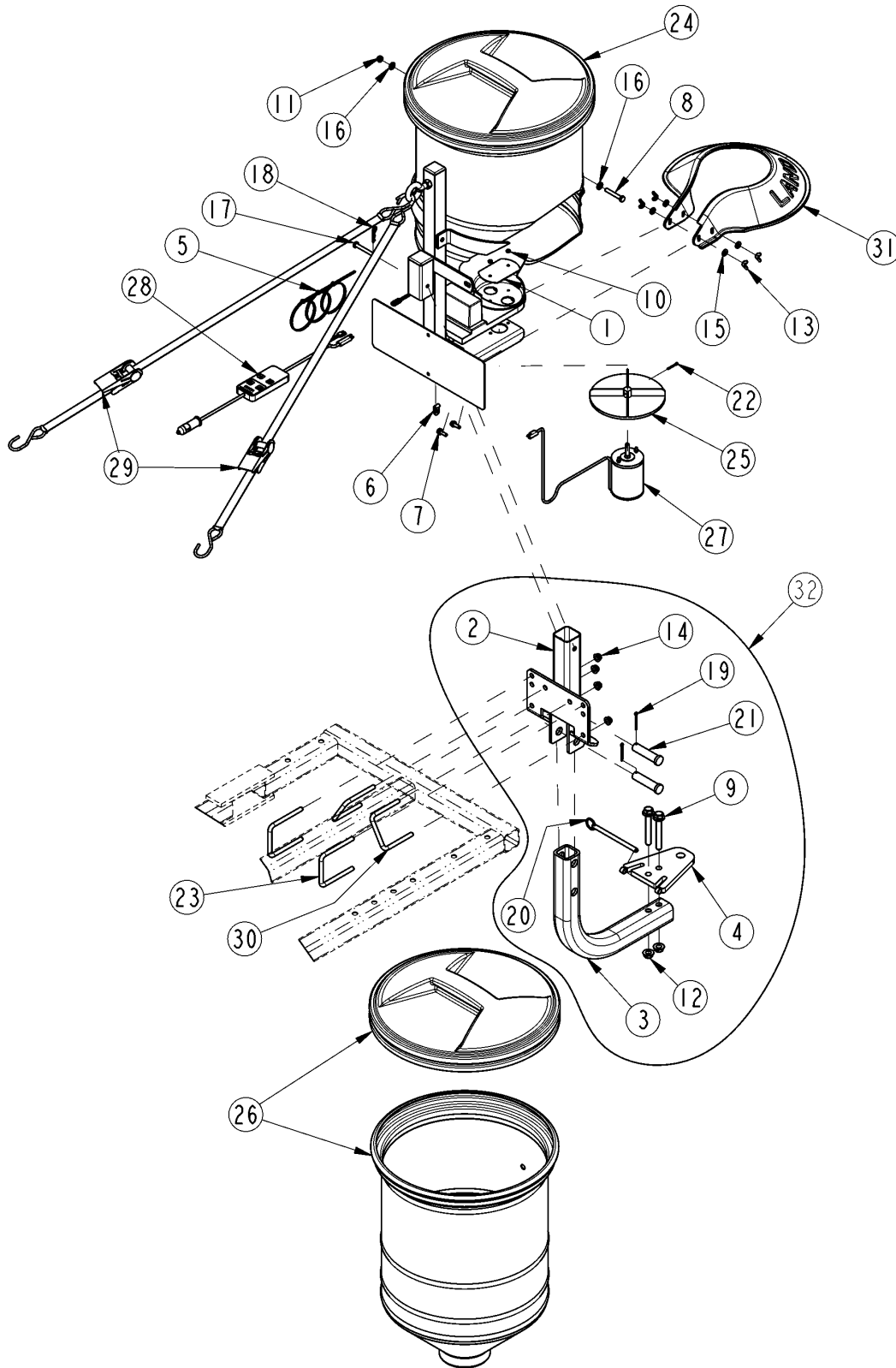
## Scrapers (DH1590)

### Applies to DH1590

Ref	Part No.	Part Description	Comments	Revision
	dwg26629	Drawing Image Number		
1.	322-018D	SCRAPER HANGER		
2.	322-020D	SCRAPER CUP RIGHT		
3.	322-021D	SCRAPER CUP LEFT		
4.	322-252D	SCRAPER MOUNT 6 DISC DH1590		
5.	322-276K	DH1590 CUP RIGHT SCRAPER ASY		
6.	322-277K	DH1590 CUP LEFT SCRAPER ASY		
7.	802-214C	RHSNB 1/2-13X1 1/4 GR5		
8.	803-169C	NUT HEX FLG. LOCK 1/2-13 PLT.		

## Spreader/Hitch Option

Applies to DH1560, DH1572, DH1590



25795

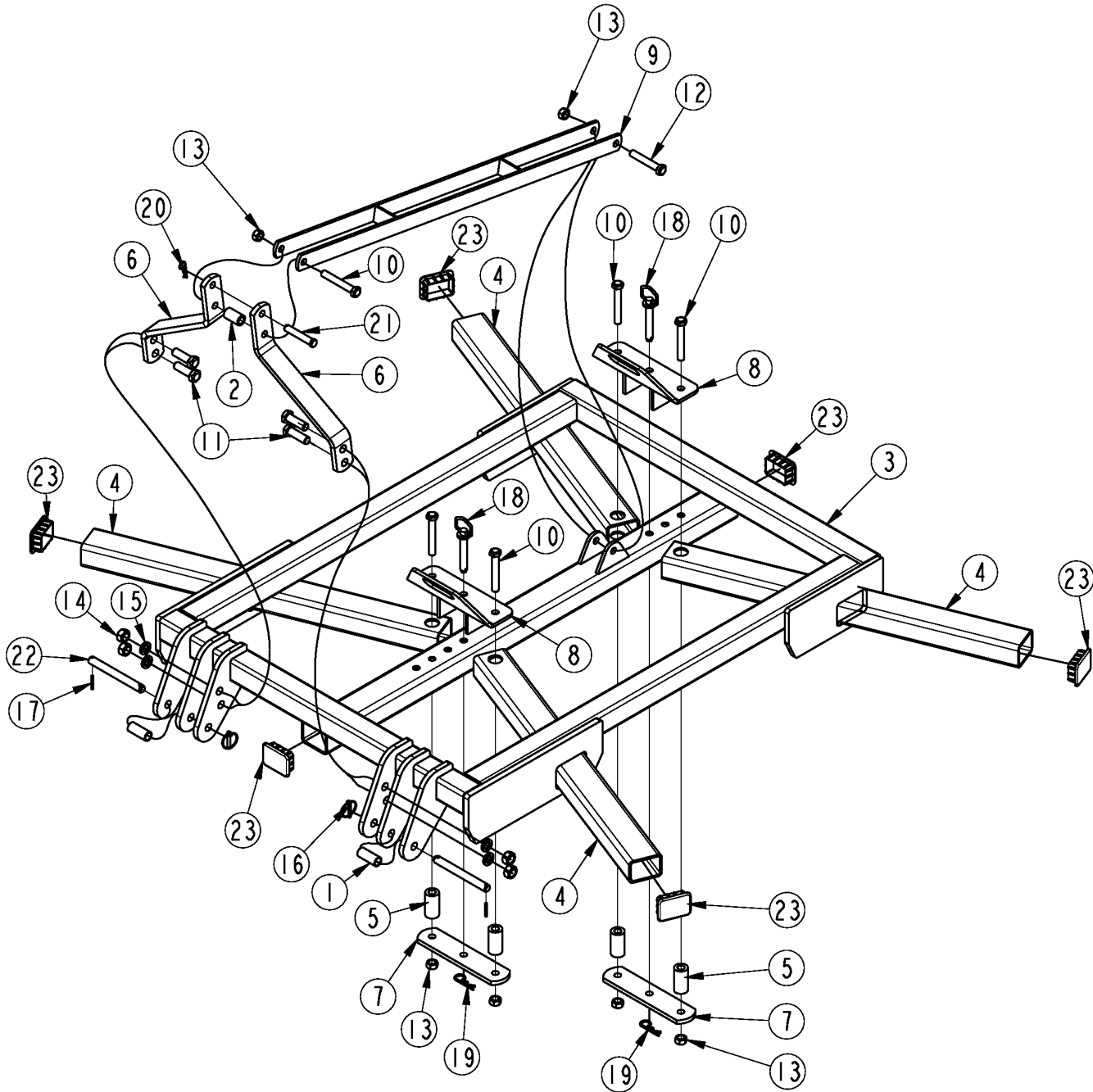
## Spreader/Hitch Option

Applies to DH1560, DH1572, DH1590

Ref	Part No.	Part Description	Comments	Revision
	dwg25795	Drawing Image Number		
	322-156A	SPIN SPRDR W/MOUNT AND HITCH *		
1.	322-106D	RESTRICTOR SMALL SEED		
2.	322-131H	SPREADER MOUNT WLDMT REAR		
3.	322-148D	HITCH REAR, DISC		
4.	322-187H	HITCH WLDMT		
5.	800-060C	CABLE TIE .19X14.25 3DIA 50LB		
6.	800-347C	WIRING/TUBE CLIP FOR 1/4 OD		
7.	802-257C	HFSS 1/4-20X3/4 GR5		
8.	802-473C	HHCS 5/16-18X2 FTHD		
9.	802-658C	HFS 1/2-13 X 3 1/2 GR5/8		
10.	803-064C	NUT HEX 8-32		
11.	803-084C	NUT HEX NYLOCK 5/16-18 PLT		
12.	803-169C	NUT HEX FLG. LOCK 1/2-13 PLT.		
13.	803-202C	NUT WING 1/4-20 PLT		
14.	803-209C	NUT FLANGE LOCK 3/8-16 PLT		
15.	804-007C	WASHER FLAT 1/4 SAE PLT		
16.	804-036C	WASHER FLAT 5/16 SAE PLT		
17.	805-009C	PIN CLEVIS 5/16 X 2 1/2		
18.	805-010C	PIN HAIR COTTER .094		
19.	805-089C	PIN COTTER 5/32 X 1 1/2 LONG		
20.	805-308C	PIN HITCH 3/8X5 1/8USBL DETENT		
21.	805-318C	PIN CLEVIS 3/4 X 2 49/64 USBL		
22.	805-363C	PIN COTTER 1/8 X 1		
23.	806-021C	U-BOLT 3/8-16 X 3 1/32 X 4	DH2560, DH2572 & DH2596	
24.	840-246C	FERT/SEED SPREADER, ATV	Includes Items 25 thru 29	
25.	817-690C	SPIN PLATE, SPIN SPREADER		
26.	817-707C	HOPPER & LID, SPREADER		
27.	833-411C	MOTOR ELECTRIC, SPIN SPREADER		
28.	833-412C	HARNESS ASSY, SPIN SPREADER		
29.	890-921C	STRAP, RATCHETING TIE DOWN		
30.	806-114C	U-BOLT 3/8-16 X 3 1/32 X 3 1/2	DH1548, DH1560, DH1572 & DH1590	
31.	817-706C	DEFLECTOR SPIN SPREADER		
32.	322-264A	HITCH MOUNT W/REAR HITCH		

## Hitch and Frame

Applies to DH2560, DH2572, DH2596



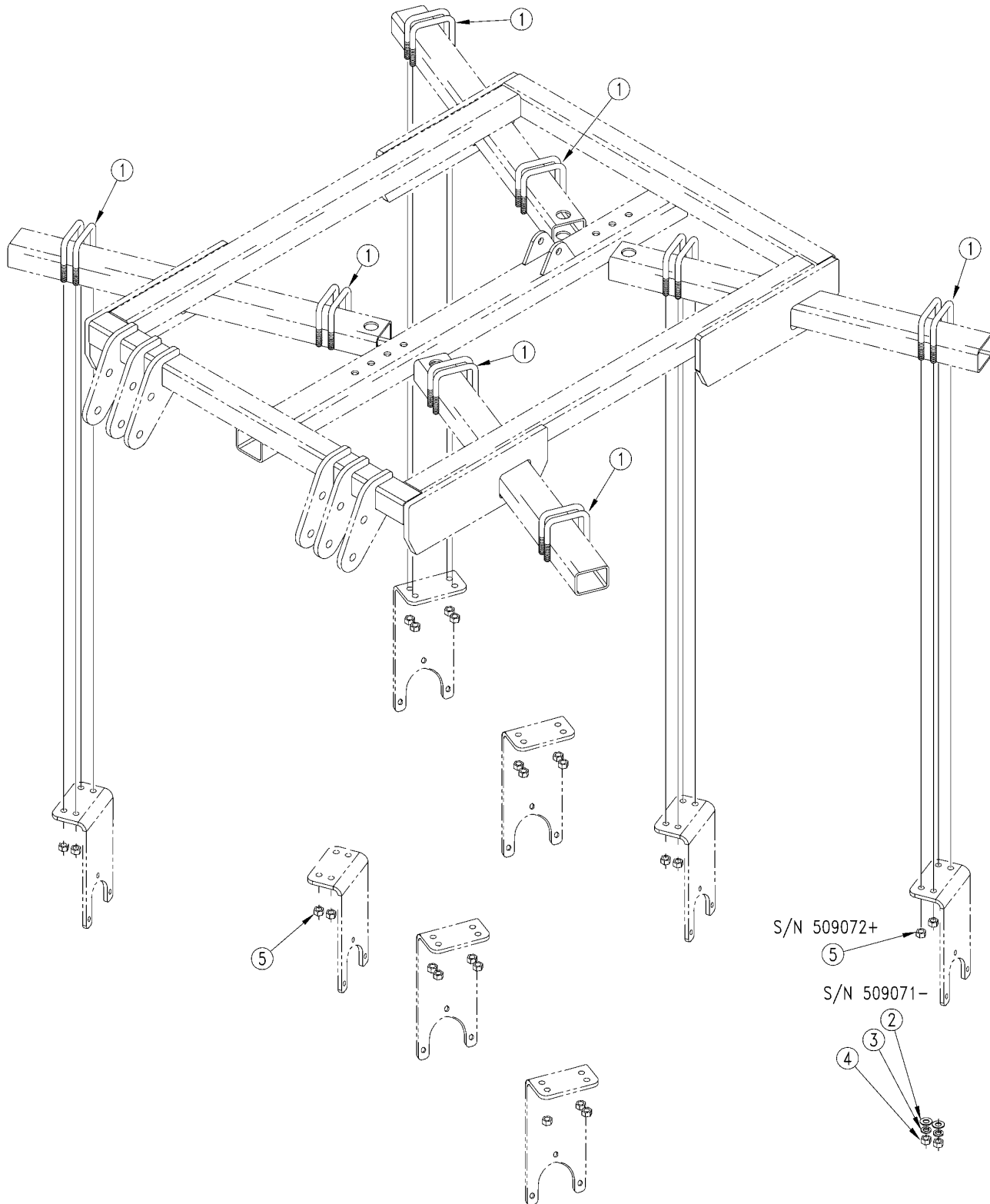
39566

**Hitch and Frame****Applies to DH2560, DH2572, DH2596**

Ref	Part No.	Part Description	Comments	Revision
	Dwg 39566	Image No.		
1.	300-296D	BSH 1-1/8X7/8X2-3/4		
2.	322-009D	SPACER 1 1/4ODX7/32WLX2.12LG		
3.	322-061H	DH2560/72 DISC FRAME	Second hole added to lug at S/N 1021314+	
3.	322-061H82	DH2560/72 DISC FRAME ORANGE	Second hole added to lug at S/N 1021314+	
3.	322-020H	DH2596 DISC FRAME	Second hole added to lug at S/N 1021314+	
3.	322-020H82	DH2596 DISC FRAME ORANGE	Second hole added to lug at S/N 1021314+	
4.	322-045D	DH2560 SWING ARM TUBE		
4.	322-045D82	DH2560 SWING ARM TUBE ORANGE		
4.	322-051D	DH2572 SWING ARM TUBE		
4.	322-051D82	DH2572 SWING ARM TUBE ORANGE		
4.	322-026D	DH2596 SWING ARM TUBE		
4.	322-026D82	DH2596 SWING ARM TUBE ORANGE		
5.	322-027D	SPACER 1.56OD X .375WL X3.04LG		
6.	322-028D	DH25 UPPER 3PT STRAP	Second hole added to strap at S/N 1021314+	
6.	322-028D82	DH25 UPPER 3PT STRAP ORANGE	Second hole added to strap at S/N 1021314+	
7.	322-029D	DH25 SLIDE BOTTOM BKT		
7.	322-029D82	DH25 SLIDE BOTTOM BKT ORANGE		
8.	322-038H	DH25 ADJUSTABLE SLIDE		
8.	322-038H82	DH25 ADJUSTABLE SLIDE ORANGE		
9.	322-065H	UPPER 3PT REAR BRACE		
9.	322-065H82	UPPER 3PT REAR BRACE ORANGE		
9.	322-039H	DH2596 UPPER 3PT BRACE		
9.	322-039H82	DH2596 UPPER 3PT BRACE ORANGE		
10.	802-069C	HHCS 3/4-10X5 GR5		
11.	802-103C	HHCS 7/8-9X2 3/4 GR5		
12.	802-192C	HHCS 3/4-10X4 1/2 GR5		
13.	803-026C	NUT LOCK 3/4-10 PLT		
14.	803-049C	NUT HEX 7/8-9 PLT		
15.	804-037C	WASHER LOCK SPRING 7/8 PLT		
16.	805-015C	PIN LINCH 5/16 X 1 3/4		
17.	805-041C	PIN ROLL 1/4X1 3/4		
18.	805-081C	PIN HTCH .75X4.25 USBL W/PIN		
19.	805-088C	PIN, HAIR COTTER 3/16 WIRE DIA		
20.	805-143C	PIN HAIR COTTER .120 PLT		
21.	805-228C	PIN CLVS .75X3.94 USBL		
22.	805-272C	PIN CLVS HDLS .88X7.30 USBL		
23.	817-585C	PLASTIC END CAP - 4X3X1/4 TUBE		

# Disc To Frame

Applies to DH2560, DH2572, DH2596



18613

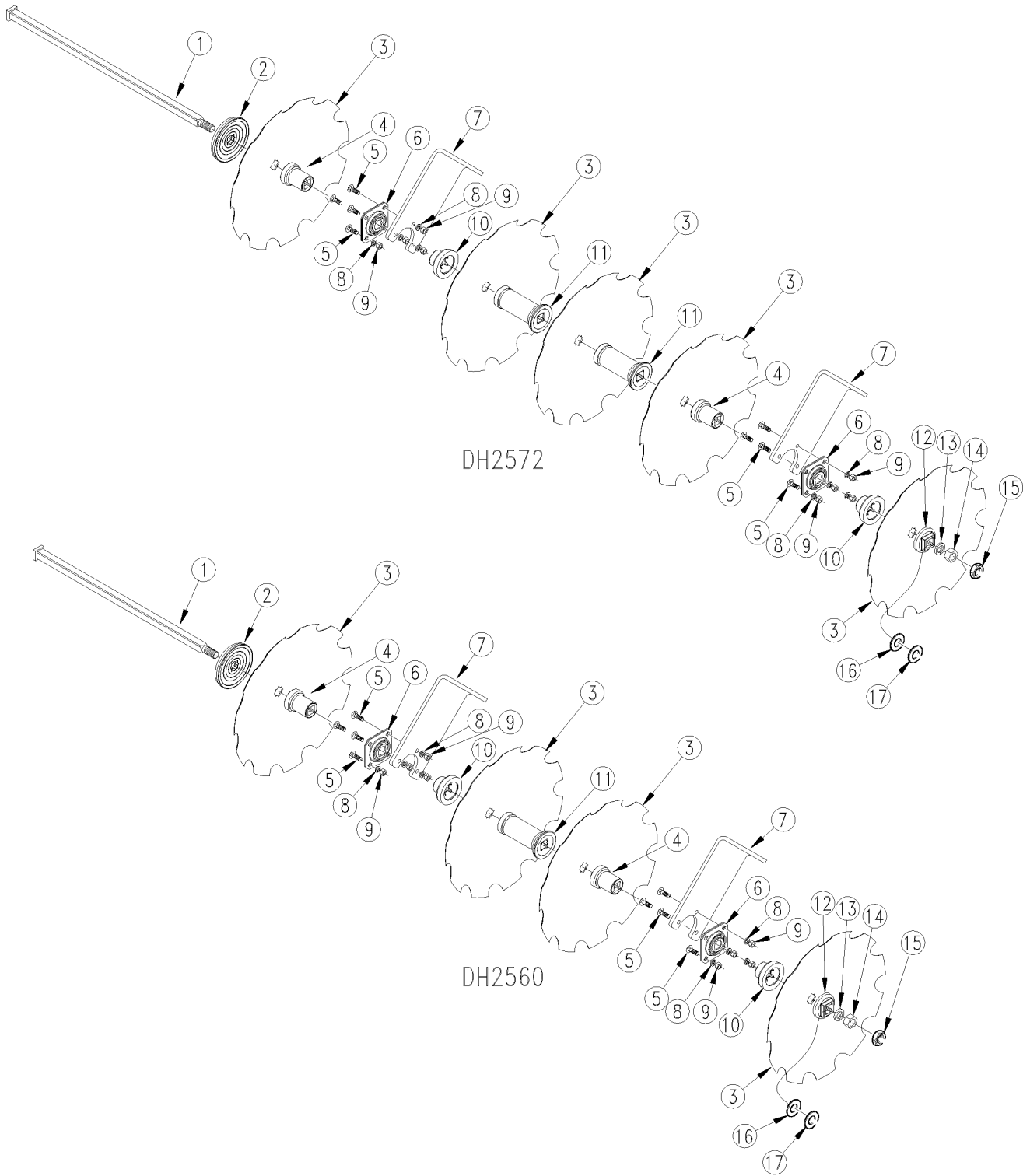


***Disc To Frame*****Applies to DH2560, DH2572, DH2596**

<b>Ref</b>	<b>Part No.</b>	<b>Part Description</b>	<b>Comments</b>	<b>Revision</b>
	dwg18613	Drawing Image Number		
1.	806-161C	U-BOLT 5/8-11 X 4 1/32 X 4 3/4		
2.	804-021C	WASHER FLAT 5/8 SAE PLT	S/N 509071-	
3.	804-022C	WASHER LOCK SPRING 5/8 PLT	S/N 509071-	
4.	803-021C	NUT HEX 5/8-11 PLT	S/N 509071-	
5.	803-304C	NUT HEX WHIZ 5/8-11 PLT	S/N 824186+	
5.	803-263C	NUT HEX FLANGE LOCK 5/8-11 PLT	S/N 509072 to 824185	

**Discs (DH2560 and DH2572)**

Applies to DH2560, DH2572



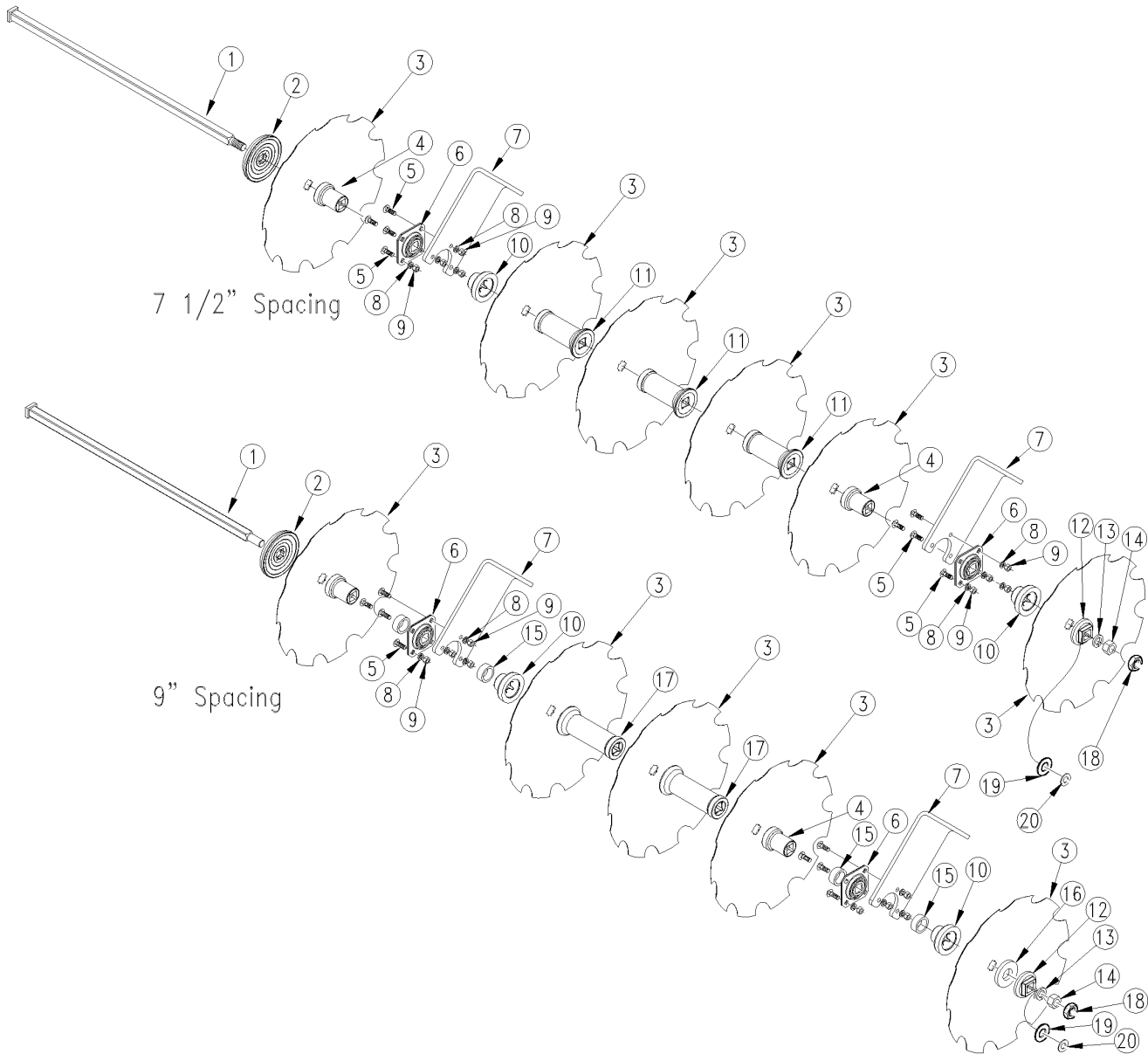
19210

**Discs (DH2560 and DH2572)****Applies to DH2560, DH2572**

Ref	Part No.	Part Description	Comments	Revision
	dwg19210	Drawing Image Number		
	322-062S	4-22IN NOTCHED 7 1/2 DISC SUB		
	322-077S	4-22IN SMOOTH 7 1/2 DISC SUB		
	322-067S	4-20IN NOTCHED 7 1/2 DISC SUB		
	322-076S	4-20IN SMOOTH 7 1/2 DISC SUB		
	322-068S	5-22IN NOTCHED 7 1/2 DISC SUB		
	322-079S	5-22IN SMOOTH 7 1/2 DISC SUB		
	322-069S	5-20IN NOTCHED 7 1/2 DISC SUB		
	322-078S	5-20IN SMOOTH 7 1/2 DISC SUB		
1.	802-691C	SP SQHD 1 1/8 SQ.SHANK 26.37LG	DH2560	
1.	802-693C	SP SQHD 1 1/8 SQ.SHANK 33.88LG	DH2572	
2.	812-280C	DISC HARROW LARGE CAP CASTING		
3.	820-225C	20IN 3.5MM PLAIN DISC BLD SQHL		
3.	820-226C	20IN 3.5MM NOTCH DISC BLD SQHL		
3.	820-227C	22IN 4MM PLAIN DISC BLADE SQHL		
3.	820-228C	22IN 4MM NOTCHED DISC BLD SQHL		
4.	812-286C	DISC 3 5/8LG SPCR CAST 1 1/8SQ		
5.	802-106C	RHSNB 1/2-13X1 1/2 GR5		
6.	822-183C	FLNGD BRG INCORP BLBRG1 1/8SQ		
7.	322-039D	25 DISC HANGER BRACKET		
8.	804-015C	WASHER LOCK SPRING 1/2 PLT		
9.	803-020C	NUT HEX 1/2-13 PLT		
10.	812-285C	DISC 2 3/8LG SPCR CAST 1 1/8SQ		
11.	812-287C	DISC 7 7/16LG SPCR CAST1 1/8SQ		
12.	812-284C	DISC SMALL CAP CASTING 1 1/8SQ		
13.	804-027C	WASHER LOCK SPRING 1 PLT		
14.	803-031C	NUT HEX 1-8 PLT		
15.	803-030C	NUT HEX JAM 1-8 PLT	S/N 392981+	
16.	804-071C	WASHER FLAT 1 1/2 SAE PLT	As Required	
17.	804-029C	WASHER FLAT 1 SAE	As Required	

**Discs (DH2596)**

Applies to DH2596

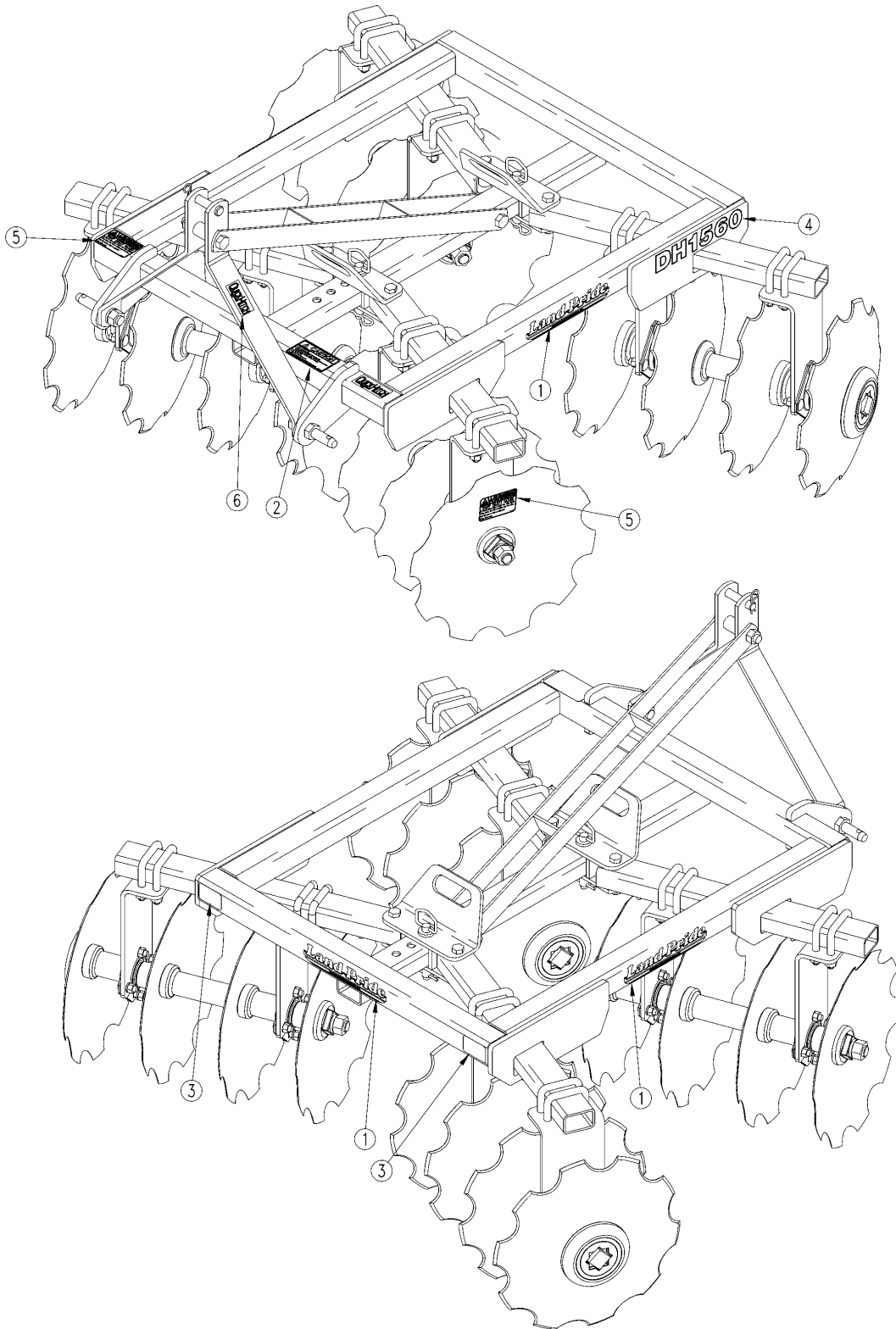


**Discs (DH2596)****Applies to DH2596**

Ref	Part No.	Part Description	Comments	Revision
	dwg18612	Drawing Image Number		
	322-033S	6-22IN NOTCHED 7 1/2 DISC SUB		
	322-021S	6-20IN NOTCHED 7 1/2 DISC SUB		
	322-022S	6-20IN SMOOTH 7 1/2 DISC SUB		
	322-023S	5-20IN NTCH 9 SPCR DISC SUB		
	322-031S	5-22IN NTCH 9IN SPCR DISC SUB		
	322-032S	6-22IN SMOOTH 7 1/2 DISC SUB		
	322-033S	6-22IN NOTCHED 7 1/2 DISC SUB		
	322-043S	5-20IN SMTH 9IN SPCR DISC SUB		
	322-044S	5-22IN SMTH 9IN SPCR DISC SUB		
		*		
1.	802-675C	SP SQHD 1 1/8 SQ.SHANK 41.37LG		
2.	812-280C	DISC HARROW LARGE CAP CASTING		
3.	820-225C	20IN 3.5MM PLAIN DISC BLD SQHL		
3.	820-226C	20IN 3.5MM NOTCH DISC BLD SQHL		
3.	820-227C	22IN 4MM PLAIN DISC BLADE SQHL		
3.	820-228C	22IN 4MM NOTCHED DISC BLD SQHL		
4.	812-286C	DISC 3 5/8LG SPCR CAST 1 1/8SQ		
5.	802-106C	RHSNB 1/2-13X1 1/2 GR5		
6.	822-183C	FLNGD BRG INCORP BLBRG1 1/8SQ		
7.	322-039D	25 DISC HANGER BRACKET		
8.	804-015C	WASHER LOCK SPRING 1/2 PLT		
9.	803-020C	NUT HEX 1/2-13 PLT		
10.	812-285C	DISC 2 3/8LG SPCR CAST 1 1/8SQ		
11.	812-287C	DISC 7 7/16LG SPCR CAST1 1/8SQ		
12.	812-284C	DISC SMALL CAP CASTING 1 1/8SQ		
13.	804-027C	WASHER LOCK SPRING 1 PLT		
14.	803-031C	NUT HEX 1-8 PLT		
15.	322-043D	SPACER 2 1/4OD X9/32WL X7/8LG	9" Spacing only	
16.	322-044D	SPACER 3 5/8OD X1 5/8ID,1/2THK	9" Spacing only	
17.	812-289C	DISC 9LG SPACER CAST 1 1/8 SQ		
18.	803-030C	NUT HEX JAM 1-8 PLT	S/N 392981+	
19.	804-071C	WASHER FLAT 1 1/2 SAE PLT		
20.	804-029C	WASHER FLAT 1 SAE		

## Decal Placement

Applies to DH2560, DH2572, DH2596



17808

***Decal Placement*****Applies to DH2560, DH2572, DH2596**

<b>Ref</b>	<b>Part No.</b>	<b>Part Description</b>	<b>Comments</b>	<b>Revision</b>
	Dwg 17808	Drawing Image Number		
	322-056A	DH2596 DECAL PACKAGE		
1.	818-897C	RPBY 848-159C	Beige Unit	
1.	848-159C	DECAL LANDPRIDE 10" BROWN/GOLD	Orange Unit	
2.	818-719C	DECAL CAUTION GENERAL INSTR		
3.	838-614C	DECAL REFLECTOR RED 2X9	S/N 821694+ DH2596	
3.	858-095C	DECAL REFLECTOR RED 2X4.5	S/N 821694+ DH2572	
3.	818-230C	DECAL RED REFLECTOR	S/N 821693-	
4.	838-283C	DECAL DH2560 BROWN	Beige Unit	
4.	848-237C	DECAL DH2560-GOLD	Orange Unit	
4.	838-284C	DECAL DH2572 GOLD		
4.	848-196C	RPBY 838-284C	Obsolete	
4.	838-108C	DECAL DH2596 GOLD		
4.	848-197C	RPBY 838-108C	Obsolete	
5.	838-093C	DECAL SHARP OBJ HAZARD DISCS		
6.	838-517C	DECAL QUICK HITCH SYSTEM		

***Land Pride Touch-up Paints***

---

Applies to DH2560, DH2572, DH2596

**No diagram associated with this Parts List**

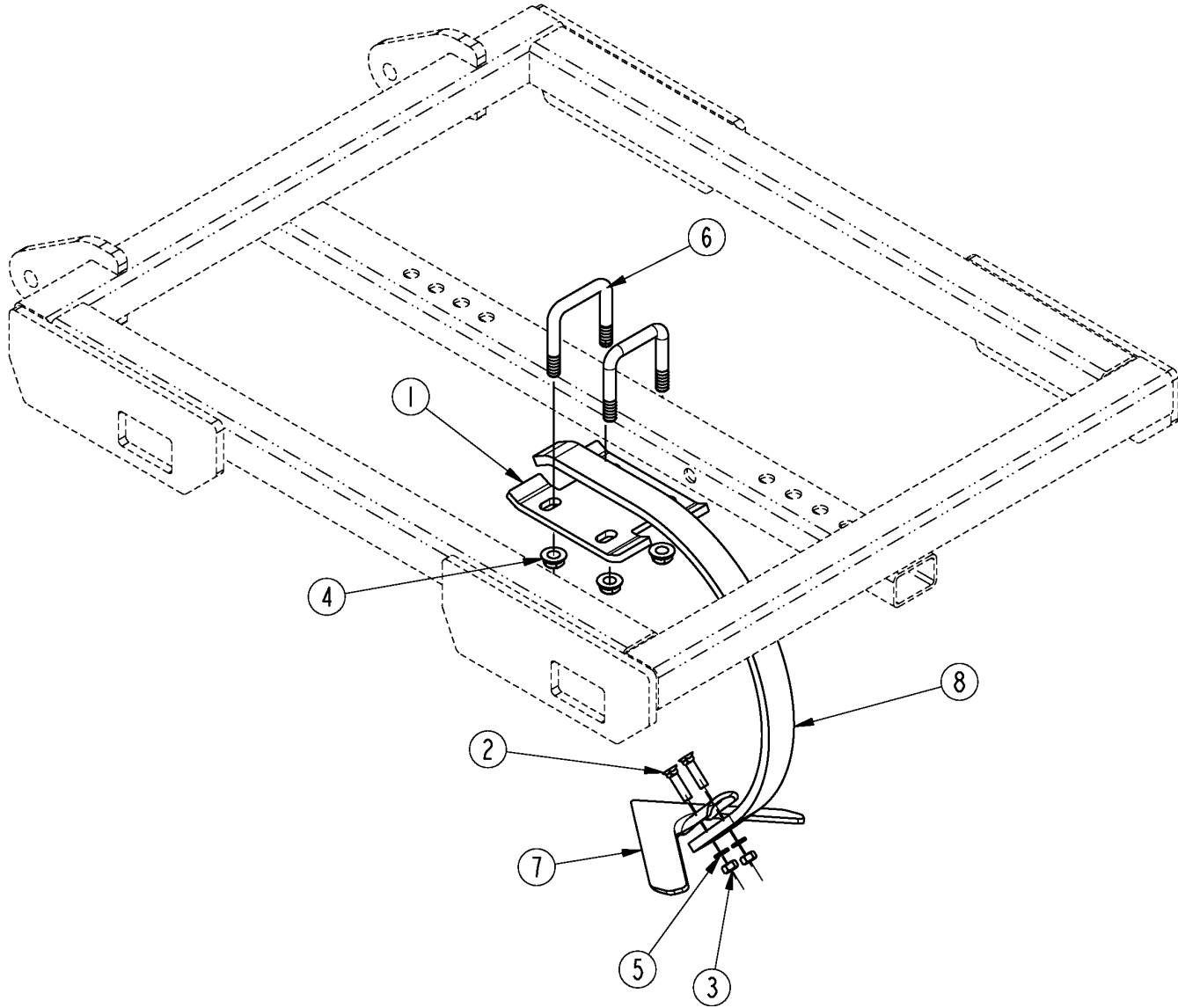


**Land Pride Touch-up Paints****Applies to DH2560, DH2572, DH2596**

<b>Ref</b>	<b>Part No.</b>	<b>Part Description</b>	<b>Comments</b>	<b>Revision</b>
1.	821-011C	LP BEIGE SPRAY CAN	Spray can	
1.	821-070C	GLOSS BLACK SPRAY CAN	Spray can	
1.	821-054C	MED. RED SPRAY TRCK/CTR	Spray can	
1.	821-058C	GREEN SPRAY CUTTERS	Spray can	
1.	821-066C	ORANGE SPRAY CAN	Spray can	
1.	821-067C	BLUE SPRAY CAN	Spray can	
1.	821-080C	PAINT ALUMINUM/ZINC SPRAY CAN	Spray can	
2.	821-011CTU	LP BEIGE TOUCH-UP 5OZ	Touch-up bottle with brush	
2.	821-070CTU	GLOSS BLACK TOUCH-UP 5OZ	Touch-up bottle with brush	
2.	821-054CTU	MED RED TOUCH-UP 5OZ	Touch-up bottle with brush	
2.	821-058CTU	GREEN TOUCH-UP 5OZ	Touch-up bottle with brush	
2.	821-066CTU	ORANGE TOUCH-UP 5OZ	Touch-up bottle with brush	
2.	821-067CTU	BLUE TOUCH-UP 5OZ	Touch-up bottle with brush	
2.	821-080CTU	PAINT ALUMINUM/ZINC TOUCH UP	Touch-up bottle with brush	
3.	821-011CQT	LP BEIGE QUART	Quart can	
3.	821-070CQT	GLOSS BLACK QUART	Quart can	
3.	821-054CQT	MED RED QUART	Quart can	
3.	821-058CQT	GREEN QUART	Quart can	
3.	821-066CQT	ORANGE QUART	Quart can	
3.	821-067CQT	BLUE QUART	Quart can	
3.	821-080CQT	PAINT ALUMINUM/ZINC QUART	Quart can	
4.	821-011CGL	LP BEIGE GALLON	Gallon can	
4.	821-070CGL	GLOSS BLACK GALLON	Gallon can	
4.	821-054CGL	MED RED GALLON	Gallon can	
4.	821-058CGL	GREEN GALLON	Gallon can	
4.	821-066CGL	ORANGE GALLON	Gallon can	
4.	821-067CGL	BLUE GALLON	Gallon can	
4.	821-080CGL	PAINT ALUMINUM/ZINC GALLON	Gallon can	

## Center Sweep

Applies to DH2560, DH2572, DH2596



20562

## Center Sweep

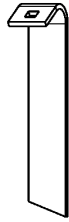
Applies to DH2560, DH2572, DH2596

Ref	Part No.	Part Description	Comments	Revision
	dwg20562	Drawing Image Number		
	322-059A	DH25 CENTER SWEEP ASSEMBLY		
	322-059A82	DH25 CENTER SWEEP ASY ORANGE *		
1.	322-042D	DISC SWEEP SPRING BRACKET		
1.	322-042D82	DISC SWEEP SPRING BKT ORANGE		
2.	802-090C	PLOW 7/16-14X1 3/4 GR5		
3.	803-015C	NUT HEX 7/16-14 PLT		
4.	803-263C	NUT HEX FLANGE LOCK 5/8-11 PLT		
5.	804-014C	WASHER LOCK 7/16 PLT		
6.	806-161C	U-BOLT 5/8-11 X 4 1/32 X 4 3/4		
7.	820-064C	CULTVTR SWEEP 9 IN HARD FACED		
8.	820-240C	DISC HARROW SWEEP ARM LONG		

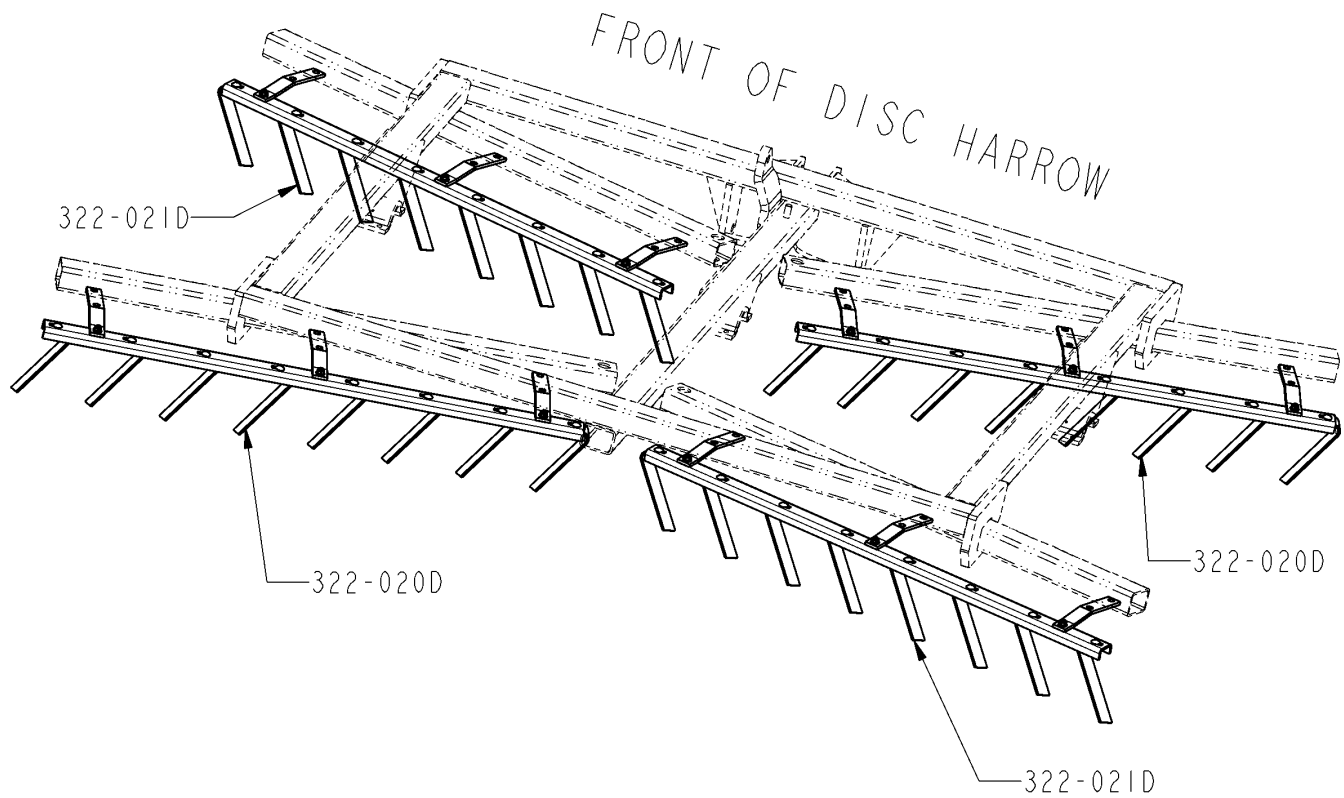
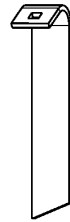
## Scraper Identification Drawing

Applies to DH2560, DH2572, DH2596

322-021D



322-020D



27560

## ***Scraper Identifaction Drawing***

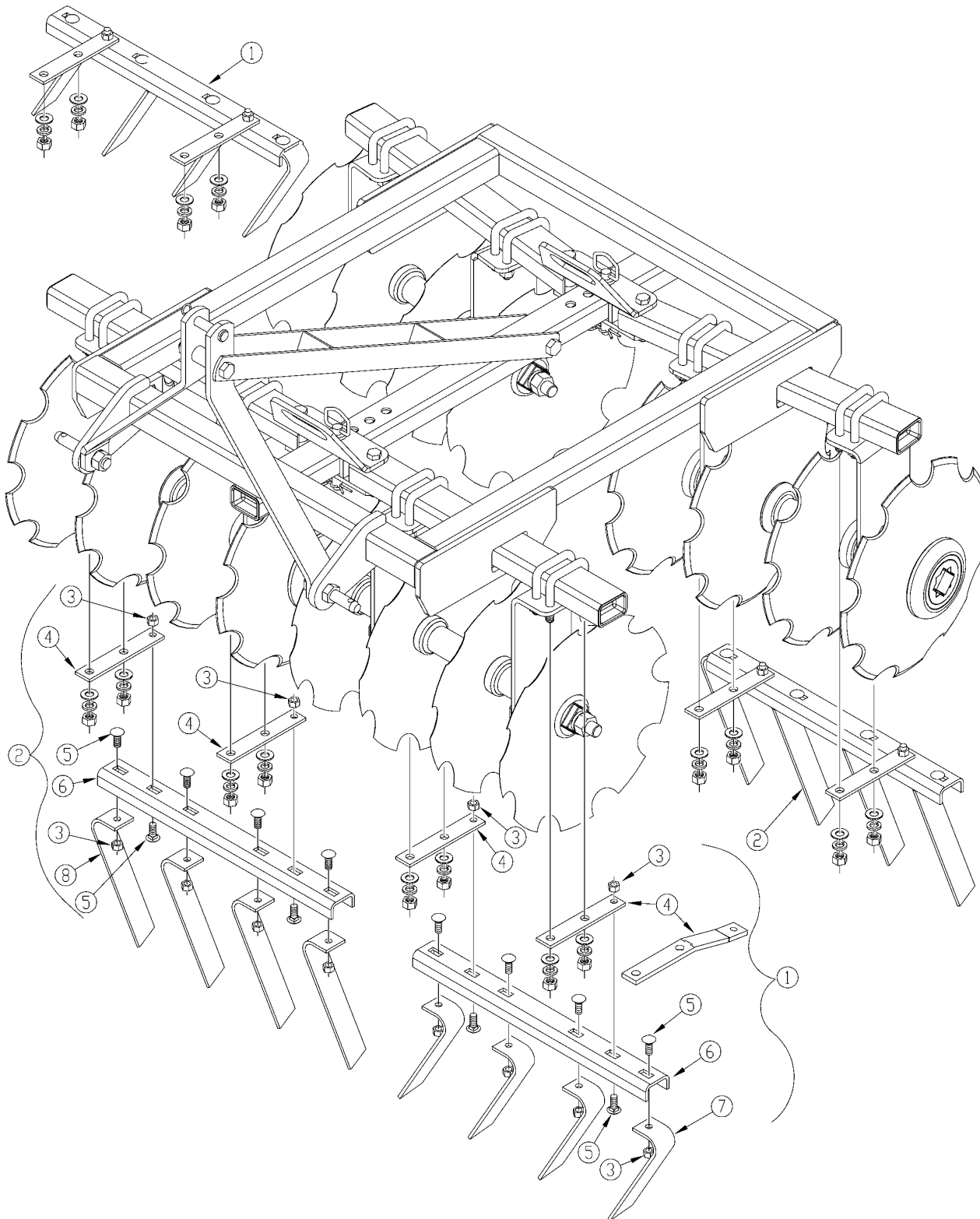
---

**Applies to DH2560, DH2572, DH2596**

<b>Ref</b>	<b>Part No.</b>	<b>Part Description</b>	<b>Comments</b>	<b>Revision</b>
	dwg27560	Drawing Image Number No Parts Listing Required		

## Scrapers (DH2560)

Applies to DH2560



18197

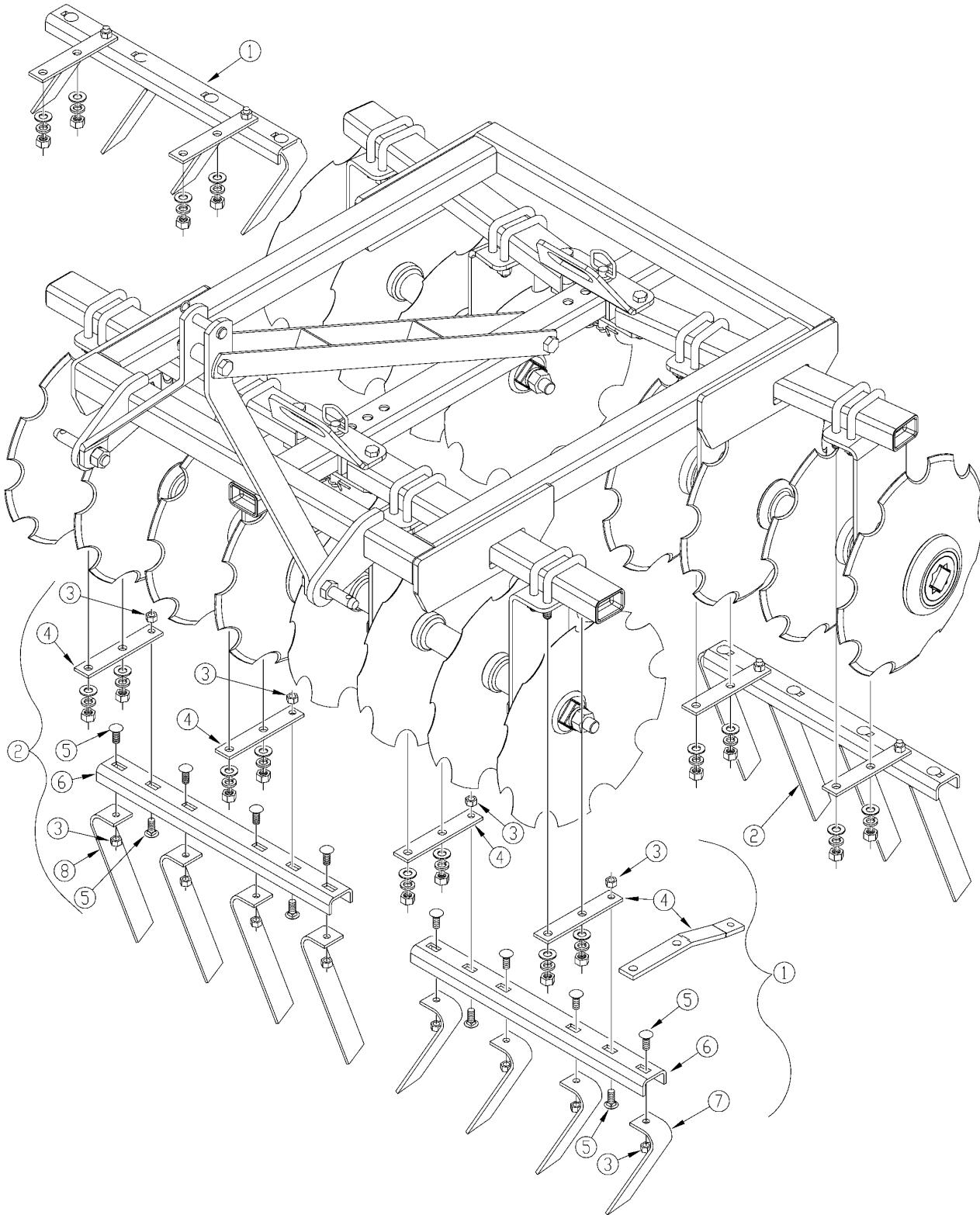
## Scrapers (DH2560)

### Applies to DH2560

Ref	Part No.	Part Description	Comments	Revision
	dwg18197	Drawing Image Number		
	322-082A	DH2560 SCRAPER BUNDLE 7 1/2		
1.	322-064K	DH25 5FT CUP LEFT SCRAPER ASY		
2.	322-063K	DH25 5FT CUP RIGHT SCRAPER ASY		
3.	803-169C	NUT HEX FLG. LOCK 1/2-13 PLT.		
4.	322-023D	SCRAPER Z-HANGER		
5.	802-214C	RHSNB 1/2-13X1 1/4 GR5		
6.	322-019D	SCRAPER MOUNT		
7.	322-021D	SCRAPER CUP LEFT		
8.	322-020D	SCRAPER CUP RIGHT		

## Scrapers (DH2572)

Applies to DH2572



18197



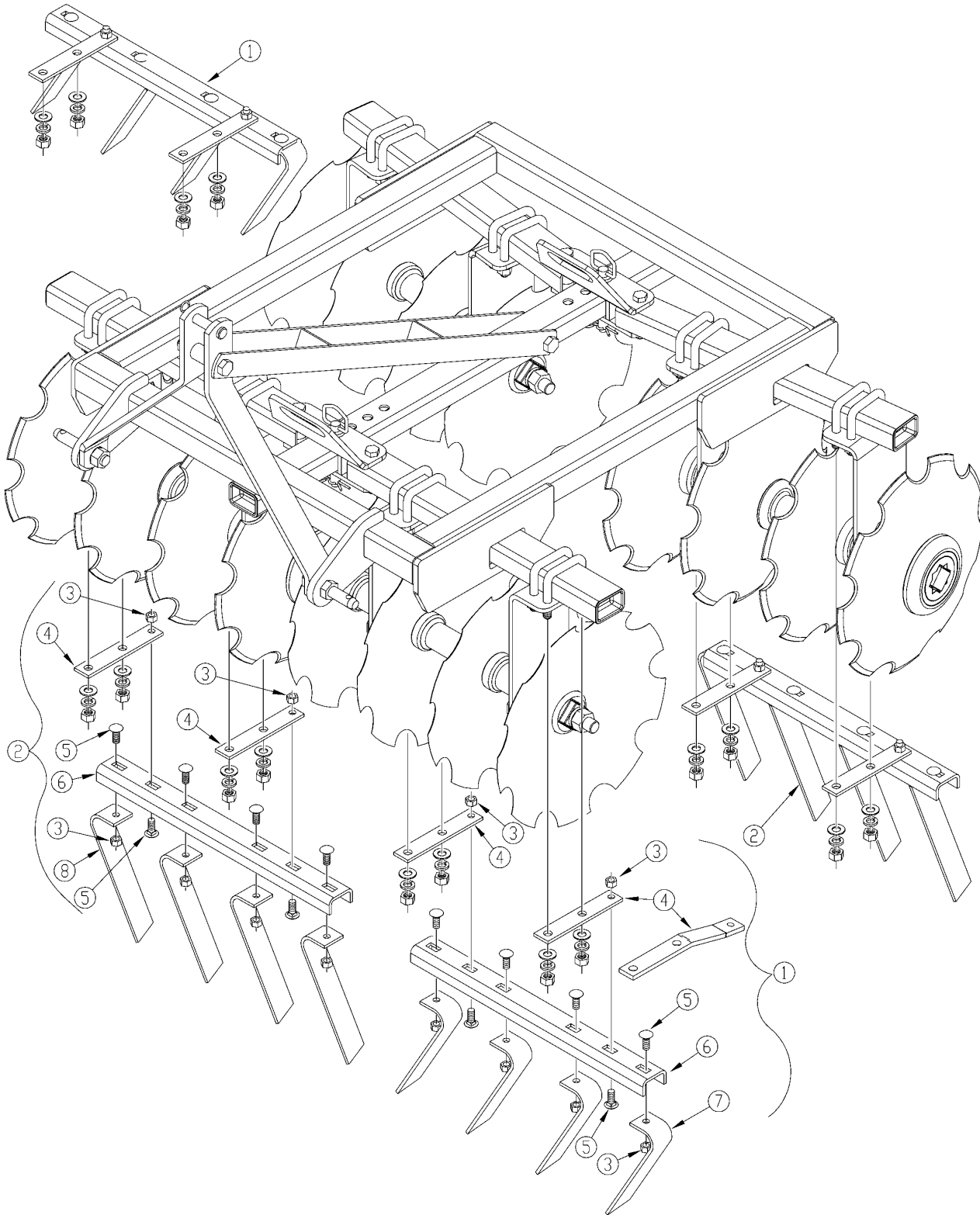
## Scrapers (DH2572)

### Applies to DH2572

Ref	Part No.	Part Description	Comments	Revision
	dwg18197	Drawing Image Number		
	322-083A	DH2572 SCRAPER BUNDLE 7 1/2		
1.	322-081K	DH2572 CUP LEFT SCRAPER ASY		
2.	322-080K	DH2572 CUP RIGHT SCRAPER ASY		
3.	803-169C	NUT HEX FLG. LOCK 1/2-13 PLT.		
4.	322-023D	SCRAPER Z-HANGER		
5.	802-214C	RHSNB 1/2-13X1 1/4 GR5		
6.	322-022D	SCRAPER MOUNT LONG		
7.	322-021D	SCRAPER CUP LEFT		
8.	322-020D	SCRAPER CUP RIGHT		

# Scrapers (DH2596)

Applies to DH2596



18197

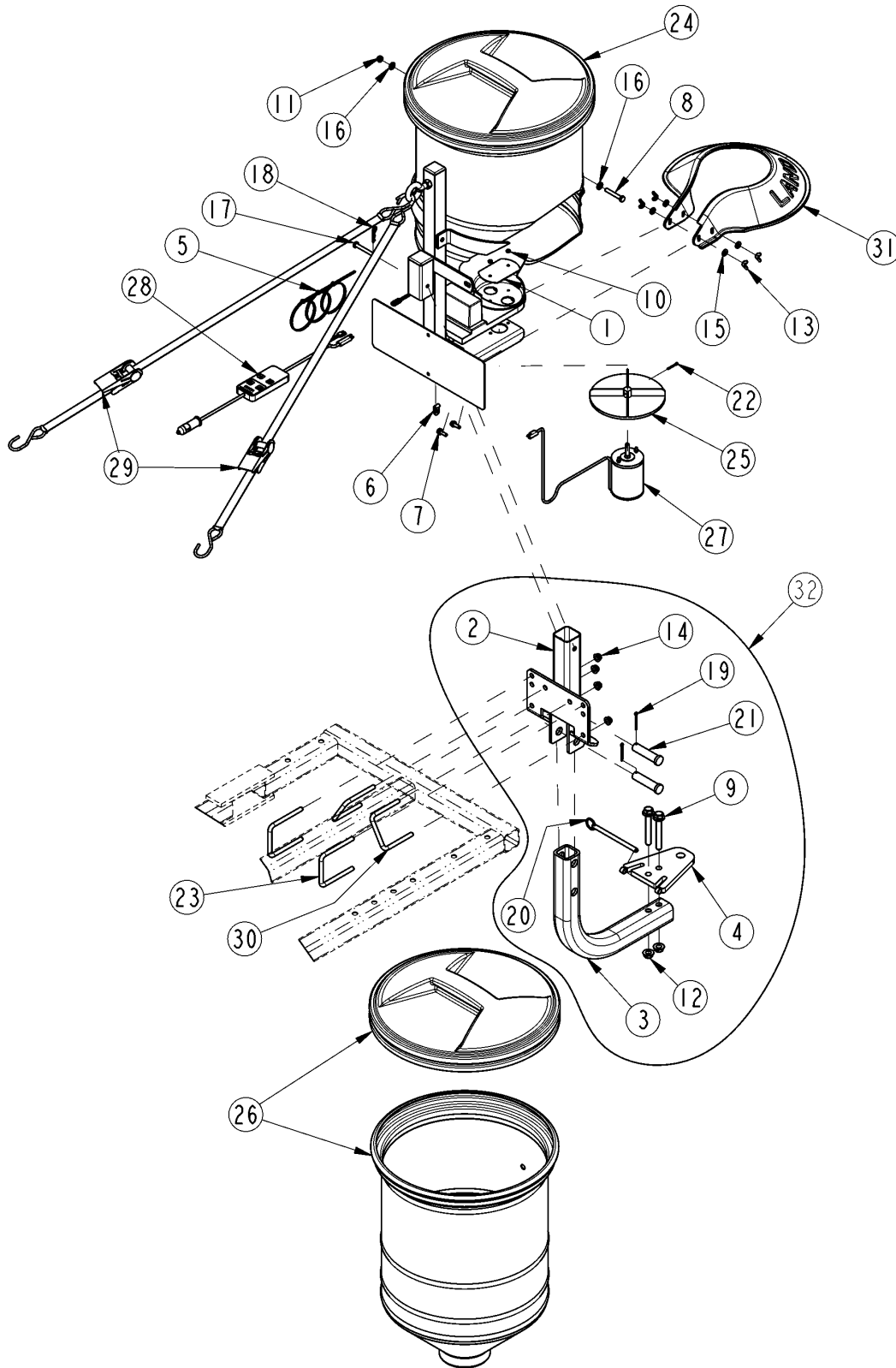
## Scrapers (DH2596)

### Applies to DH2596

Ref	Part No.	Part Description	Comments	Revision
	dwg18197	Drawing Image Number		
	322-035A	DH2596 SCRAPER BUNDLE 7 1/2		
	322-050A	DH2596 SCRAPER BUNDLE 7 1/2-9		
	322-049A	DH2596 SCRAPER BUNDLE 9 SPACNG		
1.	322-036K	DH2596 CUP LEFT SCRAPER ASY		
1.	322-051K	DH2596 CUP 9 LEFT SCRAPER ASY		
2.	322-037K	DH2596 CUP RIGHT SCRAPER ASY		
2.	322-052K	DH2596 CUP 9 RIGHT SCRAPER ASY		
3.	803-169C	NUT HEX FLG. LOCK 1/2-13 PLT.		
4.	322-023D	SCRAPER Z-HANGER		
5.	802-214C	RHSNB 1/2-13X1 1/4 GR5		
6.	322-252D	SCRAPER MOUNT 6 DISC DH1590	S/N _____+	
6.	322-024D	RPBY 322-252D		
6.	322-025D	SCRAPER MOUNT 5 DISC 9 SPACING		
7.	322-021D	SCRAPER CUP LEFT		
8.	322-020D	SCRAPER CUP RIGHT		

## Spreader/Hitch Option

Applies to DH2560, DH2572, DH2596



## Spreader/Hitch Option

Applies to DH2560, DH2572, DH2596

Ref	Part No.	Part Description	Comments	Revision
	dwg25795	Drawing Image Number		
	322-156A	SPIN SPRDR W/MOUNT AND HITCH *		
1.	322-106D	RESTRICTOR SMALL SEED		
2.	322-131H	SPREADER MOUNT WLDMT REAR		
3.	322-148D	HITCH REAR, DISC		
4.	322-187H	HITCH WLDMT		
5.	800-060C	CABLE TIE .19X14.25 3DIA 50LB		
6.	800-347C	WIRING/TUBE CLIP FOR 1/4 OD		
7.	802-257C	HFSS 1/4-20X3/4 GR5		
8.	802-473C	HHCS 5/16-18X2 FTHD		
9.	802-658C	HFS 1/2-13 X 3 1/2 GR5/8		
10.	803-064C	NUT HEX 8-32		
11.	803-084C	NUT HEX NYLOCK 5/16-18 PLT		
12.	803-169C	NUT HEX FLG. LOCK 1/2-13 PLT.		
13.	803-202C	NUT WING 1/4-20 PLT		
14.	803-209C	NUT FLANGE LOCK 3/8-16 PLT		
15.	804-007C	WASHER FLAT 1/4 SAE PLT		
16.	804-036C	WASHER FLAT 5/16 SAE PLT		
17.	805-009C	PIN CLEVIS 5/16 X 2 1/2		
18.	805-010C	PIN HAIR COTTER .094		
19.	805-089C	PIN COTTER 5/32 X 1 1/2 LONG		
20.	805-308C	PIN HITCH 3/8X5 1/8USBL DETENT		
21.	805-318C	PIN CLEVIS 3/4 X 2 49/64 USBL		
22.	805-363C	PIN COTTER 1/8 X 1		
23.	806-021C	U-BOLT 3/8-16 X 3 1/32 X 4	DH2560, DH2572 & DH2596	
24.	840-246C	FERT/SEED SPREADER, ATV	Includes Items 25 thru 29	
25.	817-690C	SPIN PLATE, SPIN SPREADER		
26.	817-707C	HOPPER & LID, SPREADER		
27.	833-411C	MOTOR ELECTRIC, SPIN SPREADER		
28.	833-412C	HARNESS ASSY, SPIN SPREADER		
29.	890-921C	STRAP, RATCHETING TIE DOWN		
30.	806-114C	U-BOLT 3/8-16 X 3 1/32 X 3 1/2	DH1548, DH1560, DH1572 & DH1590	
31.	817-706C	DEFLECTOR SPIN SPREADER		
32.	322-264A	HITCH MOUNT W/REAR HITCH		



# Part Number Index

The Part Number Index is a numeric index of all part numbers included in this manual. The index shows what page(s) the part is used on.

Part Number	Page	Part Number	Page	Part Number	Page	Part Number	Page
300-296D	31	322-050A	51	803-064C	29, 53	821-054CGL	17, 41
322-001S	9	322-051D	31	803-084C	29, 53	821-054CQT	17, 41
322-002D	9, 11	322-051D82	31	803-169C	23, 25, 27, 29, 47, 49, 51, 53	821-054CTU	17, 41
322-002H	7	322-051K	51			821-058C	17, 41
322-002H82	7	322-052K	51	803-202C	29, 53	821-058CGL	17, 41
322-005H	7	322-054A	15	803-209C	29, 53	821-058CQT	17, 41
322-005H82	7	322-055A	15	803-263C	13, 19, 33, 43	821-058CTU	17, 41
322-006D	7	322-056A	39	803-304C	13, 33	821-066C	17, 41
322-006D82	7	322-058A	19	804-007C	29, 53	821-066CGL	17, 41
322-006S	9	322-058A82	19	804-014C	19, 43	821-066CQT	17, 41
322-009D	7, 31	322-059A	19, 43	804-015C	9, 11, 35, 37	821-066CTU	17, 41
322-010D	7	322-059A82	19, 43	804-021C	13, 33	821-067C	17, 41
322-010D82	7	322-061H	31	804-022C	13, 33	821-067CGL	17, 41
322-011S	9	322-061H82	31	804-027C	9, 11, 35, 37	821-067CQT	17, 41
322-012S	9	322-062S	35	804-029C	9, 35, 37	821-067CTU	17, 41
322-013D	7	322-063K	47	804-036C	29, 53	821-070C	17, 41
322-013D82	7	322-064K	47	804-037C	31	821-070CGL	17, 41
322-015D	7	322-065H	31	804-071C	35, 37	821-070CQT	17, 41
322-015D82	7	322-065H82	31	804-171C	9	821-070CTU	17, 41
322-015H	7	322-067S	35	805-009C	29, 53	821-080C	17, 41
322-015H82	7	322-068S	35	805-010C	29, 53	821-080CGL	17, 41
322-016K	23	322-069S	35	805-015C	31	821-080CQT	17, 41
322-017D	7	322-076S	35	805-041C	31	821-080CTU	17, 41
322-017K	23	322-077S	35	805-081C	7, 31	822-179C	9, 11
322-018D	23, 25, 27	322-078S	35	805-088C	31	822-180C	9, 11
322-018K	25	322-079S	35	805-089C	29, 53	822-181C	9, 11
322-019D	23, 47	322-080K	49	805-111C	7	822-183C	35, 37
322-019K	25	322-081K	49	805-142C	7	833-411C	29, 53
322-020D	23, 25, 27, 47, 49, 51	322-082A	47	805-143C	7, 31	833-412C	29, 53
		322-083A	49	805-228C	31	838-080C	15
322-020H	31	322-106D	29, 53	805-272C	31	838-081C	15
322-020H82	31	322-131H	29, 53	805-308C	29, 53	838-093C	15, 39
322-021D	23, 25, 27, 47, 49, 51	322-148D	29, 53	805-318C	29, 53	838-108C	39
		322-156A	29, 53	805-363C	29, 53	838-283C	39
322-021S	37	322-187H	29, 53	806-021C	29, 53	838-284C	39
322-022D	25, 49	322-251D	7	806-114C	29, 53	838-517C	15, 39
322-022S	37	322-251D82	7	806-157C	13, 19	838-614C	15, 39
322-023D	47, 49, 51	322-252D	27, 51	806-161C	19, 33, 43	840-246C	29, 53
322-023S	37	322-264A	29, 53	812-276C	9, 11	848-159C	15, 39
322-024D	51	322-271S	11	812-277C	9, 11	848-194C	15
322-025D	51	322-275S	11	812-278C	9, 11	848-195C	15
322-026D	31	322-276K	27	812-279C	9, 11	848-196C	39
322-026D82	31	322-277K	27	812-280C	9, 11, 35, 37	848-197C	39
322-027D	31	800-060C	29, 53	812-284C	35, 37	848-237C	39
322-028D	31	800-347C	29, 53	812-285C	35, 37	848-269C	15
322-028D82	31	802-069C	31	812-286C	35, 37	848-270C	15
322-029D	31	802-090C	19, 43	812-287C	35, 37	858-095C	15, 39
322-029D82	31	802-103C	31	812-289C	37	890-921C	29, 53
322-031S	37	802-106C	9, 11, 35, 37	817-387C	7	Dwg 17808	15, 39
322-032S	37	802-162C	7	817-585C	31	Dwg 39566	31
322-033S	37	802-192C	7, 31	817-690C	29, 53	dwg17806	7
322-035A	51	802-214C	23, 25, 27, 47, 49, 51	817-706C	29, 53	dwg17807	9
322-036K	51			817-707C	29, 53	dwg17813	13
322-037K	51	802-257C	29, 53	818-230C	15, 39	dwg18197	23, 25, 47, 49, 51
322-038H	31	802-473C	29, 53	818-719C	15, 39	dwg18612	37
322-038H82	31	802-635C	9	818-897C	15, 39	dwg18613	33
322-039D	35, 37	802-658C	29, 53	820-064C	19, 43	dwg19210	35
322-039H	31	802-667C	9	820-221C	9, 11	dwg20562	19, 43
322-039H82	31	802-675C	37	820-223C	9, 11	dwg25795	29, 53
322-040A	23	802-691C	35	820-225C	35, 37	dwg26629	27
322-041A	25	802-693C	35	820-226C	35, 37	dwg26630	11
322-042D	19, 43	802-864C	11	820-227C	35, 37	dwg27560	21, 45
322-042D82	19, 43	803-015C	19, 43	820-228C	35, 37		
322-043D	37	803-020C	9, 11, 35, 37	820-240C	19, 43		
322-043S	37	803-021C	13, 33	820-241C	19		
322-044D	37	803-024C	7	821-011C	17, 41		
322-044S	37	803-026C	7, 31	821-011CGL	17, 41		
322-045D	31	803-030C	9, 11, 35, 37	821-011CQT	17, 41		
322-045D82	31	803-031C	9, 11, 35, 37	821-011CTU	17, 41		
322-049A	51	803-049C	31	821-054C	17, 41		

***This Page Intentionally Left Blank***



Great Plains Manufacturing, Inc.

Corporate Office: P.O. Box 5060  
Salina, Kansas 67402-5060 USA

[www.landpride.com](http://www.landpride.com)

---