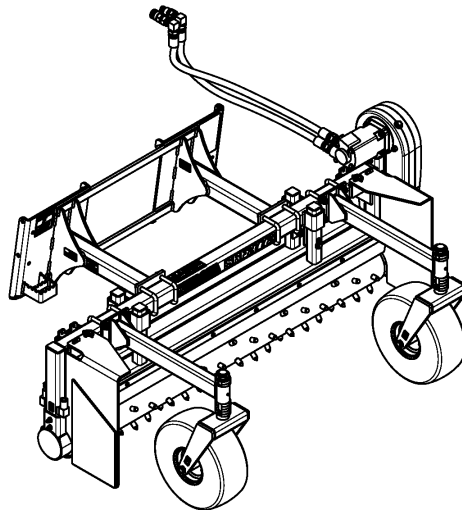
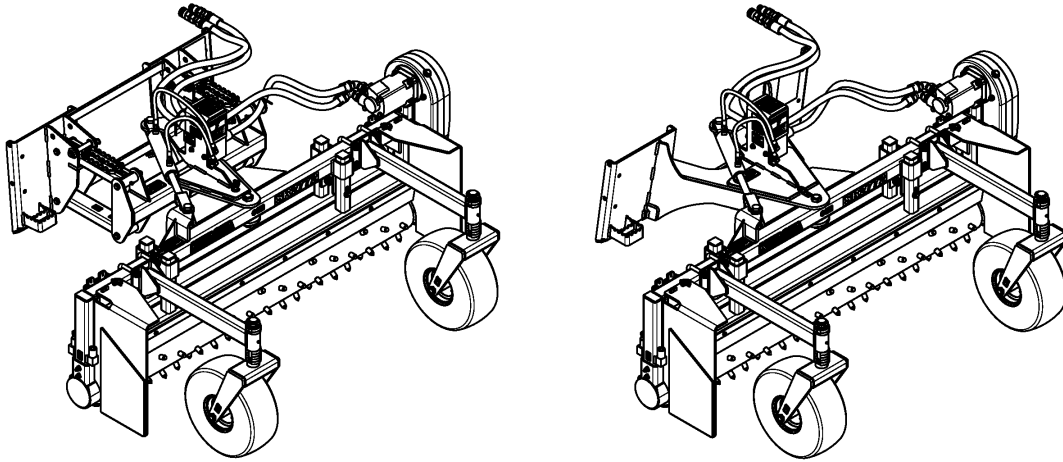


Powered Rakes

AP-SR2772, AP-SR2790, AP-SRF2772, & AP-SRF2790



39759

321-120PK
Parts Manual

Kubota®



Read the Operator's Manual entirely. When you see this symbol, the subsequent instructions and warnings are serious - follow without exception. Your life and the lives of others depend on it!

© Copyright 2018 Printed 07/11/18

Cover photo may show optional equipment not supplied with standard unit.



Table of Contents

Section 1: Introduction.....	4
Using This Manual.....	4
Manual Replacement Information.....	4
Manual Revisions.....	4
Touch-up Paint.....	4
Hardware Legend.....	5
Replacement Hardware.....	5
Serial Numbers.....	5
Part Number Service Coding.....	5
Section 2: Frames.....	6
Angle Hitch With Float.....	6
Angle Hitch Without Float.....	8
SR2772 Mainframe with Roller and Blades.....	10
SR2790 Mainframe with Roller and Blades.....	12
SRF27 Fixed Hitch.....	14
SRF2772 Mainframe with Roller and Blades.....	16
SRF2790 Mainframe with Roller and Blades.....	18
Section 3: Gauge Wheels.....	20
Gauge Wheels.....	20
Section 4: Drive Components.....	22
Chain Case With Hydraulic Motor.....	22
Section 5: Hydraulic Components.....	24
Arrangement for Fixed Hydraulic Angling.....	24
Arrangement for Hydraulic Angling.....	26
Arrangement for Manual Angling.....	28
Hydraulic By-Pass Valve (850-110C).....	30
Hydraulic Cylinder (810-005C).....	32
Hydraulic Motor (810-389C).....	34
Hydraulic Motor (850-226C).....	36
Section 6: Decal Placement & Touch-up Paint.....	38
Decal Placement.....	38
Decal Placement.....	40
Kubota Touch-up Paints.....	42
Section 7: Options & Accessories.....	44
Control Harness to 12V Battery (323-097A).....	44
Control Harness with 14 Pin Plug (323-094A).....	46
Control Harness with DTP Plug (323-096A).....	48
 Part Number Index.....	 50

© Copyright 2018. All rights reserved.

Kubota provides this publication “as is” without warranty of any kind, either expressed or implied. While every precaution has been taken in the preparation of this manual, Kubota assumes no responsibility for errors or omissions. Neither is any liability assumed for damages resulting from the use of the information contained herein. Kubota reserves the right to revise and improve its products as it sees fit. This publication describes the state of this product at the time of its publication, and may not reflect the product in the future. The illustrations in this manual are not intended for safe and proper assembly or disassembly of equipment. The illustrations are intended for ordering parts only.

Kubota is registered trademark.

All other brands and product names are trademarks or registered trademarks of their respective holders.

Printed in the United States of America.



Alphabetized Table of Contents

A

- Angle Hitch With Float.....6
- Angle Hitch Without Float.....8
- Arrangement for Fixed Hydraulic Angling.....24
- Arrangement for Hydraulic Angling.....26
- Arrangement for Manual Angling.....28

C

- Chain Case With Hydraulic Motor.....22
- Control Harness to 12V Battery (323-097A).....44
- Control Harness with 14 Pin Plug (323-094A).....46
- Control Harness with DTP Plug (323-096A).....48

D

- Decal Placement.....38
- Decal Placement.....40

G

- Gauge Wheels.....20

H

- Hydraulic By-Pass Valve (850-110C).....30
- Hydraulic Cylinder (810-005C).....32
- Hydraulic Motor (810-389C).....34
- Hydraulic Motor (850-226C).....36

K

- Kubota Touch-up Paints.....42

S

- SR2772 Mainframe with Roller and Blades.....10
- SR2790 Mainframe with Roller and Blades.....12
- SRF27 Fixed Hitch.....14
- SRF2772 Mainframe with Roller and Blades.....16
- SRF2790 Mainframe with Roller and Blades.....18

General Information

Using This Manual

This manual is divided into sections. The first section contains General Information. The remaining sections divide the machine into segments (i.e. Frames, Drives, Hydraulics, etc.) which illustrate and list all parts. A Parts Number Index is located at the back of the book.

The Kubota parts in this manual are specially designed for this machine and should be replaced with Kubota parts only.

The information in this manual is current at time of printing. Some parts may change to assure top performance.

Right-hand and left-hand as used in this manual are determined by facing the direction the machine will travel while in use.

Below is an example of two facing pages from a parts manual. Familiarize yourself with the type of information contained on these pages.

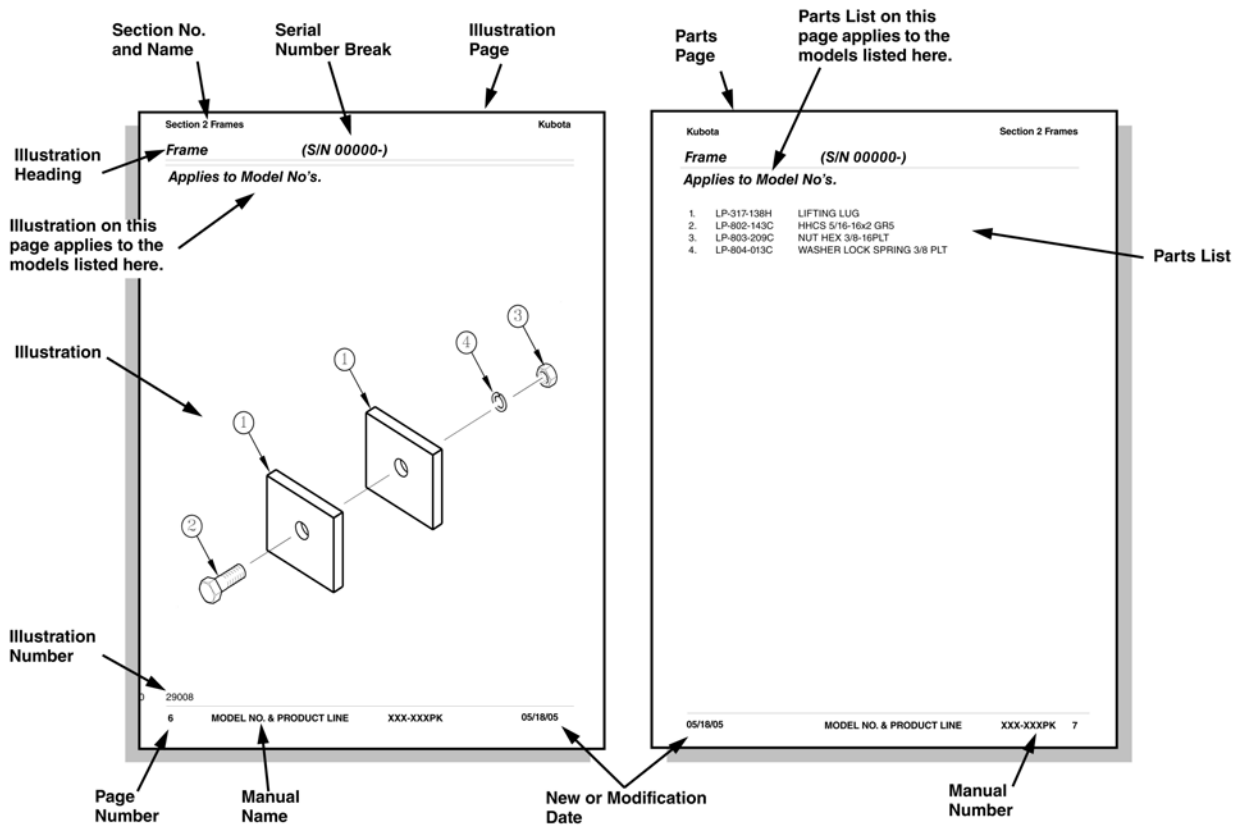
Manual Replacement Information

Replacement manuals are available. Refer to our website at www.landpride.com for additional information. Our website continues to provide the most up-to-date manuals available.

Touch-up Paint

Repaint parts where paint is worn or scratched to prevent rust. Aerosol cans and touch-up bottles with brush applicator are available through your local dealer. Also available are quart and gallon size paints. Add QT or GL to end of the Aerosol P/N.

Kubota color descriptions and part numbers are listed on the "Kubota Touch-up Paints" page in the "Decals" section of this book.



General Information

Hardware Legend

AR	As Required
BLADE	Blade Bolt
C	Cap Screw
CP	Cotter Pin
CPHSSS	Cup Point Hex Socket Set Screw
CPSHSS	Cup Point Square Head Set Screw
CPSQHSS	Cup Point Square Head Set Screw
CRFCHMS3	Cross Recess Flat Countersunk Head Machine Screw
CRPHMS	Cross Recess Pan Head Machine Screw
CRPHTFS	Cross Recess Pan Head Thread Forming
CRRHMS	Cross Recess Round Head Machine Screw
CRTHMS	Cross Recess Truss Head Machine Screw
CSNB	Countersunk Square Neck Bolt
FHMS	Flat Head Machine Screw
FTC	Full Thread Cap Screw
H	Hex Nut
HCLN	Hex Center Lock Nut
HFLCS	Hex Flange Lock Cap Screw
HFS	Hex Flange Screw
HFSLN	Hex Flange Serrated Lock Nut
HFSS	Hex Flange Serrated Screw
HHCS	Hex Head Cap Screw or Metric Bolt
HSBHCS	Hex Socket Button Head Cap Screw
HSFCHCS	Hex Socket Flat Countersunk Head Cap Screw
HSHCS	Hex Socket Head Cap Screw
HSSS	Hex Socket Head Screw
HTLN	Hex Top Lock Nut
HWHCS	Hex Washer Head Cap Screw

HWHMS	Hex Washer Head Machine Screw
HXBHCS	Hex Socket Button Head Cap Screw
J	Hex Jam Nut
JIC	37 Degree Tapered Thread
L	Helical Spring Lock Washer
LUG	Lug Bolt
NFC	National Fine Cap Screw
NPSM	National Pipe Straight Mechanical
NPTF	National Pipe Taper Fuel
P	Wide Plain Washer
PHMS	Pan Head Machine Screw
PLOW	Plow Bolt
RHMS	Round Head Machine Screw
RHSNB	Round Head Square Neck Bolt
SCREW LEVELING	Leveling Screw
SCREW THUMB	Thumb Screw
SCREW WELD	Weld Screw
SFCHMS	Slotted Flat Countersunk Head Machine Screw
SFHMS	Slotted Fillister Head Machine Screw
SP	Special
SP SCREW	Special Screw
SQHSS	Square Head Set Screw
SRHMS	Slotted Round Head Machine Screw
SSS	Socket Set Screw
STCS	Self Tapping Cap Screw
STHMS	Slotted Truss Head Machine Screw
WHEEL	Wheel Studs and Hub Long Bolts
WING	Wing Bolt

Replacement Hardware

The **Hardware Legend** above lists hardware abbreviations used in the parts list. All bolts and nuts are Grade 5 unless otherwise noted. The use of improper grades of hardware can result in personal injury, damage to equipment, or loss of property.

Part Number Service Coding

Within the parts list some part numbers are coded for revisions and interchangeability. See notations in revision column.

Serial Numbers

Always use the serial and model number when ordering parts. Refer to the Operator's Manual for serial number plate location.

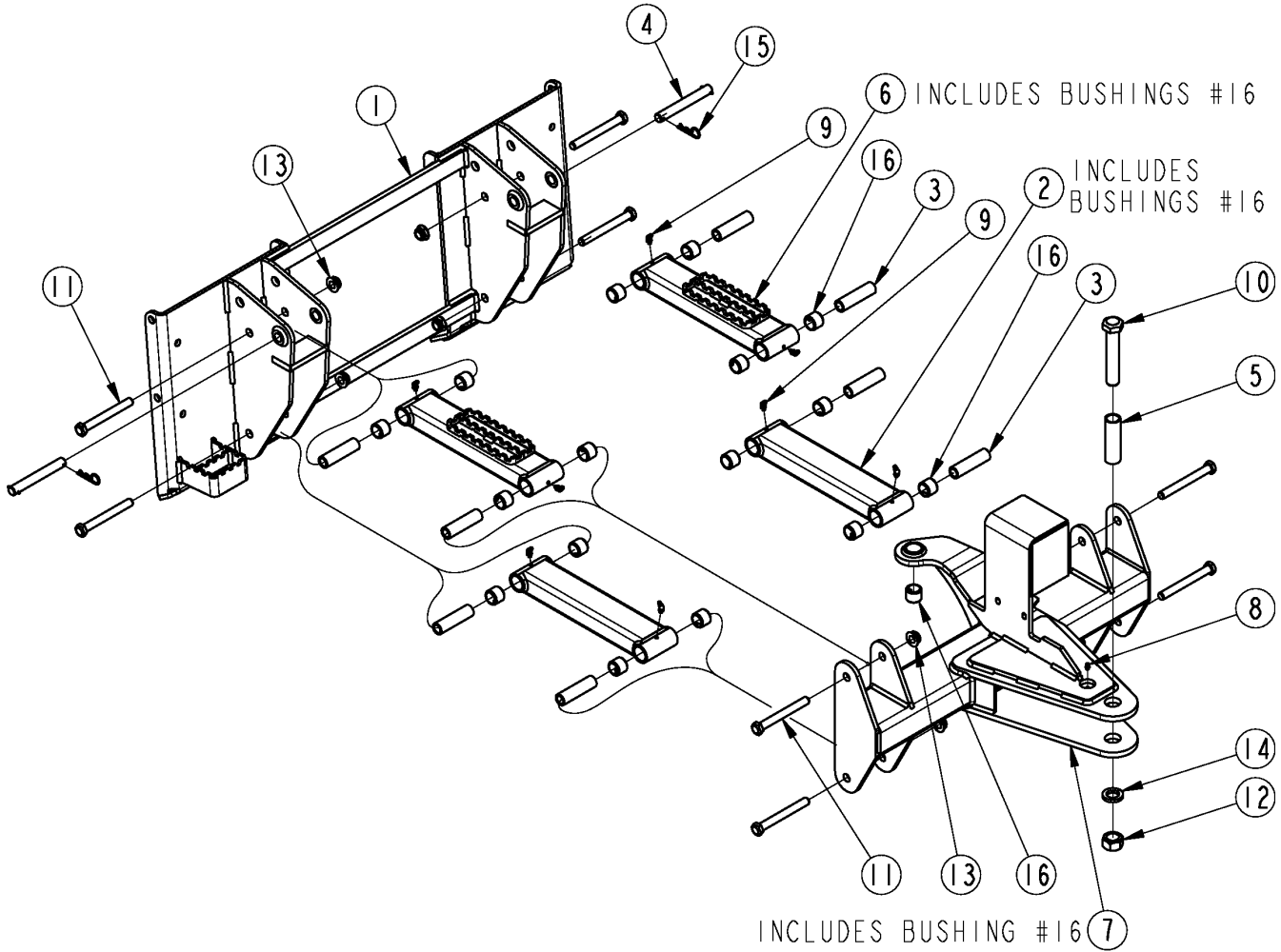
(S/N 20001+) Includes serial numbers 20001 and above (to the latest number)

(S/N 10001 to 20000) Includes serial numbers between and including 10001 and 20000

(S/N 10000-) Includes serial numbers 10000 and below (to the earliest number)

Angle Hitch With Float

Applies to AP-SR2772, AP-SR2790



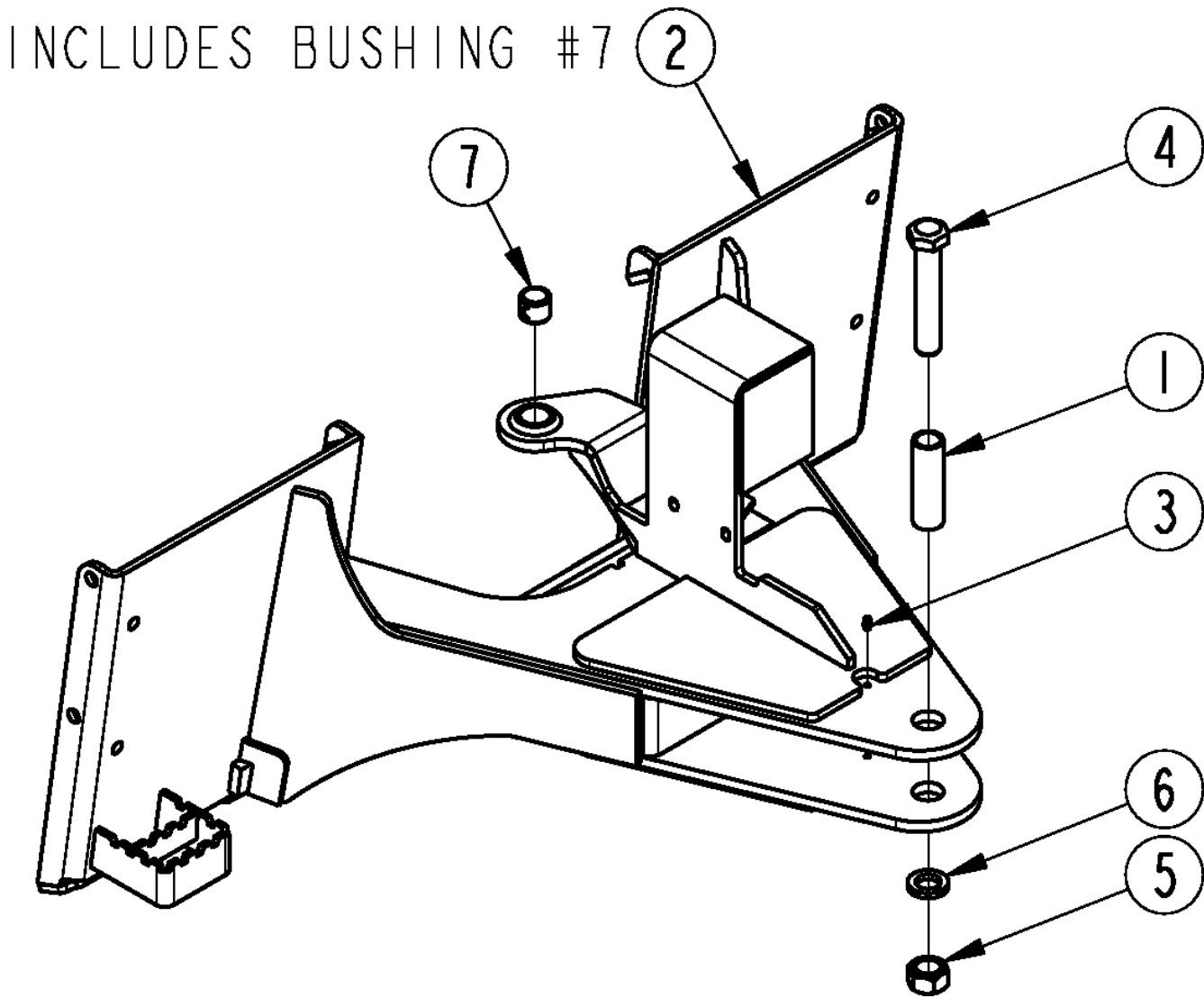
39898

Angle Hitch With Float**Applies to AP-SR2772, AP-SR2790**

Ref	Part No.	Part Description	Comments	Revision
	dwg 39898	Drawing Image Number		
1.	321-002H	HITCH WLDMT		
2.	321-003H	UPPER PARALLEL ARM ASSY	Includes 4 bushings #16	
3.	321-011D	PIVOT BUSHING		
4.	321-036S	PIN 3/4 OD X 5 1/8 USABLE ASSY		
5.	321-063D	TUBE RND DOM. 1.25ODX11GWX4.06		
6.	321-074H	UPPER PARALLEL ARM W/TREAD	Includes 4 bushings #16	
7.	321-136H	PIVOT WELDMENT	Includes 1 bushing #16	
8.	800-001C	GREASE ZERK STRAIGHT 1/4-28		
9.	800-136C	ZERK 1/4-28 X 45 DEG SELF-TAP		
10.	802-205C	HHCS 1-8X5 1/2 GR5		
11.	802-254C	HHCS 5/8-11X5 1/2 GR5		
12.	803-031C	NUT HEX 1-8 PLT		
13.	803-263C	NUT HEX FLANGE LOCK 5/8-11 PLT		
14.	804-027C	WASHER LOCK SPRING 1 PLT		
15.	805-143C	PIN HAIR COTTER .120 PLT		
16.	890-005C	BUSHING CYL 1 1/4 X 1 X 1		

Angle Hitch Without Float

Applies to AP-SR2772, AP-SR2790



39899

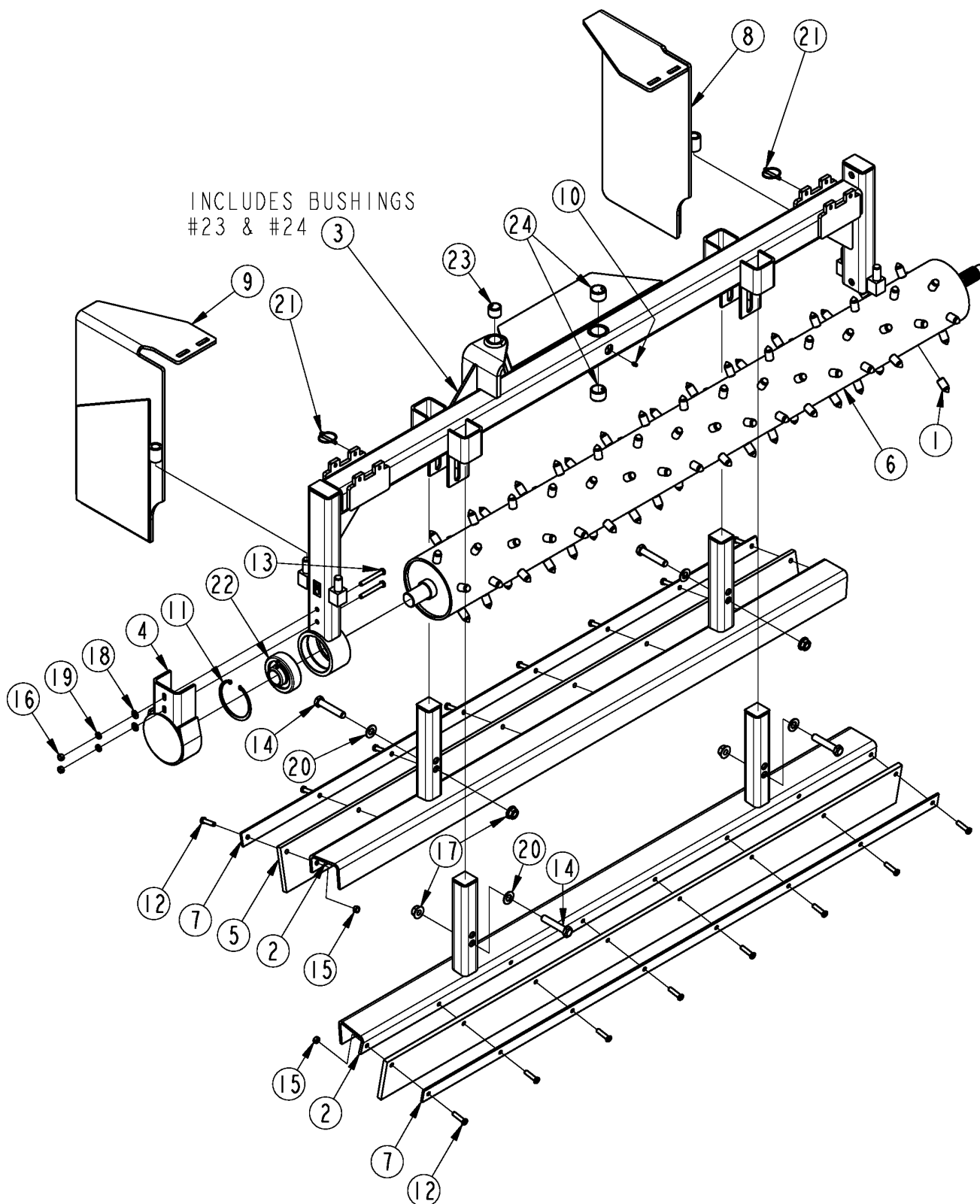
Angle Hitch Without Float

Applies to AP-SR2772, AP-SR2790

Ref	Part No.	Part Description	Comments	Revision
	dwg 39899	Drawing Image Number		
1.	321-063D	TUBE RND DOM. 1.25ODX11GWX4.06		
2.	321-114H	HITCH, ANGLE	Includes bushing #7	
3.	800-001C	GREASE ZERK STRAIGHT 1/4-28		
4.	802-205C	HHCS 1-8X5 1/2 GR5		
5.	803-031C	NUT HEX 1-8 PLT		
6.	804-027C	WASHER LOCK SPRING 1 PLT		
7.	890-005C	BUSHING CYL 1 1/4 X 1 X 1		

SR2772 Mainframe with Roller and Blades

Applies to AP-SR2772



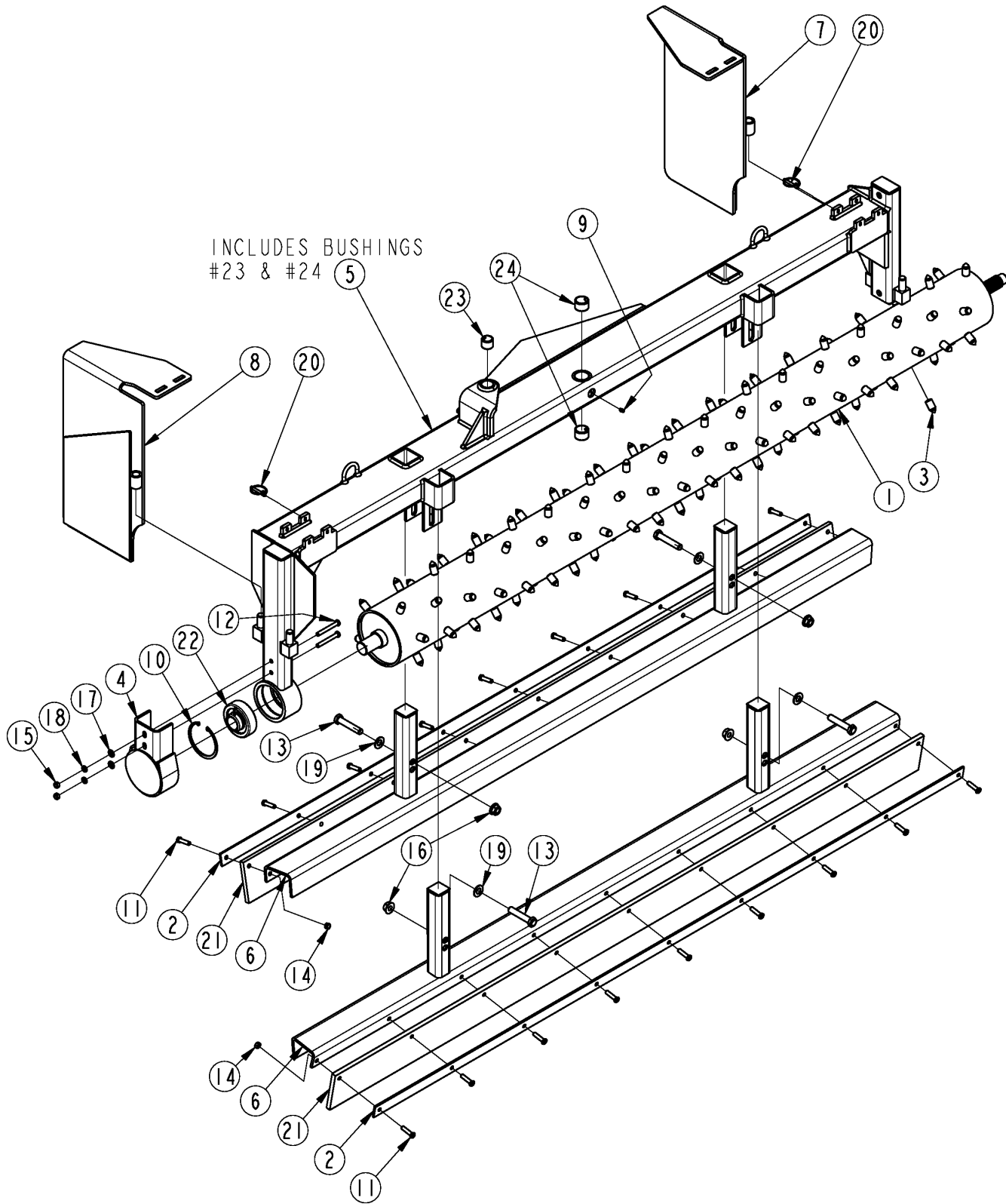
39900

SR2772 Mainframe with Roller and Blades**Applies to AP-SR2772**

Ref	Part No.	Part Description	Comments	Revision
	dwg 39900	Drawing Image Number		
1.	314-321D	3/4X1 1/2 CRBD TIP STUD W/FLX		
2.	321-011H	MAT'L CONTROL WELDMENT		
3.	321-012H	MAIN FRAME WELDMENT	Includes bushings #23 & #24	
4.	321-014H	SKID SHOE, PR & SR SERIES		
5.	321-032A	MAT'L CONTROL ASSEMBLY		
6.	321-052H	STUD ROLLER WELDMENT		
7.	321-074D	MATL CONTROL CLAMP 72		
8.	321-088H	WMT, SIDE PLT RH		
9.	321-089H	WMT, SIDE PLT LH		
10.	800-080C	GREASE ZERK 1/4-28 THD FORMING		
11.	800-309C	SNAP RING INT 4.107 OD .120W		
12.	802-022C	HHCS 3/8-16X1 1/2 GR5		
13.	802-024C	HHCS 3/8-16X3 GR5		
14.	802-160C	HHCS 5/8-11X3 1/4 GR5		
15.	803-013C	NUT LOCK 3/8-16 PLT		
16.	803-014C	NUT HEX 3/8-16 PLT		
17.	803-304C	NUT HEX WHIZ 5/8-11 PLT		
18.	804-012C	WASHER FLAT 3/8 SAE PLT		
19.	804-013C	WASHER LOCK SPRING 3/8 PLT		
20.	804-021C	WASHER FLAT 5/8 SAE PLT		
21.	805-126C	PIN LINCH 1/4 X 1 3/4 PLT		
22.	822-182C	BRG INS 1.50IDX3.93OD SPH		
23.	890-005C	BUSHING CYL 1 1/4 X 1 X 1		
24.	890-011C	BUSHING SPINDLE 1 1/2X1 1/4X1		

SR2790 Mainframe with Roller and Blades

Applies to AP-SR2790



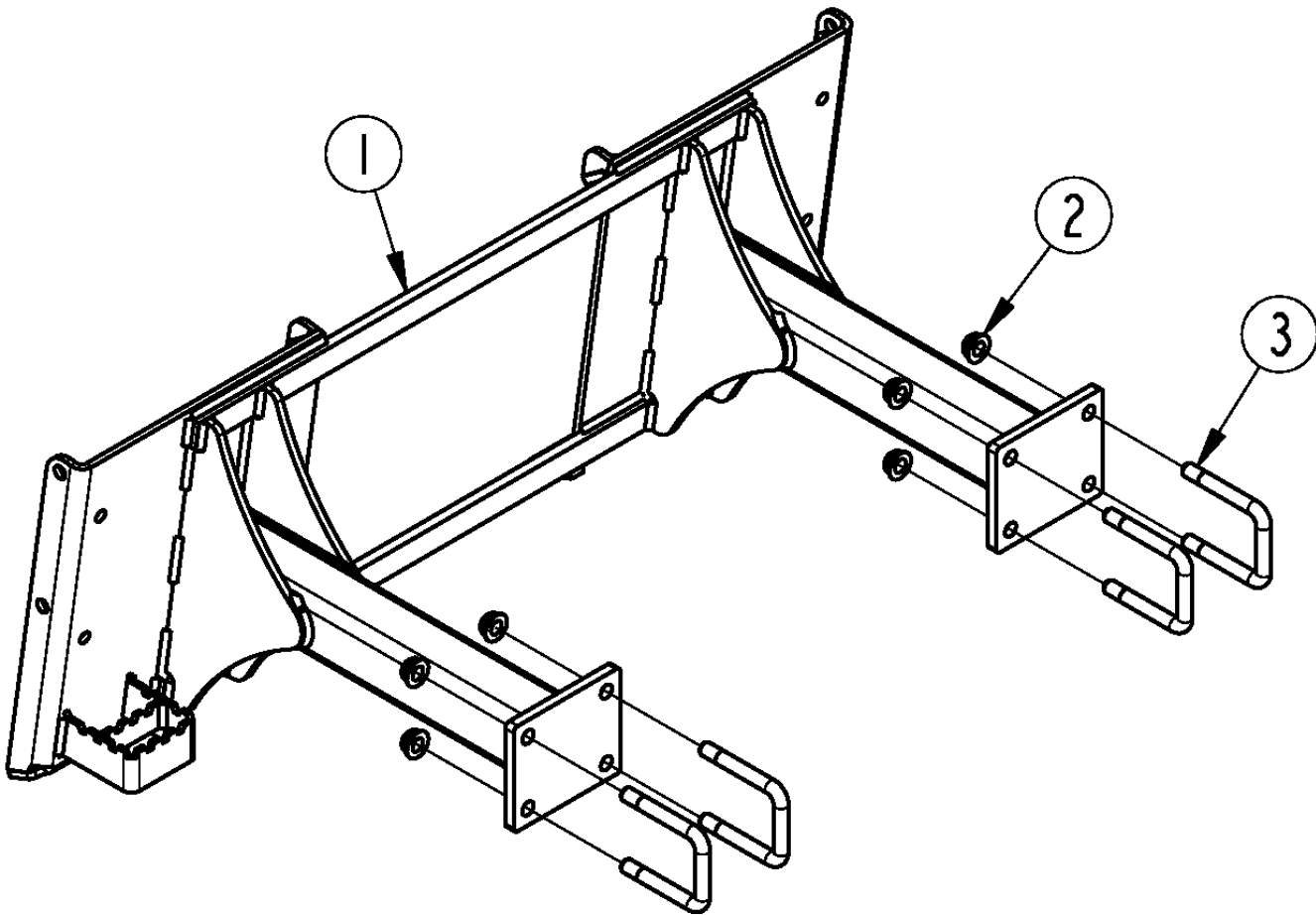
39908

SR2790 Mainframe with Roller and Blades**Applies to AP-SR2790**

Ref	Part No.	Part Description	Comments	Revision
	dwg 39908	Drawing Image Number		
1.	314-244H	STUD ROLLER WLDMT 90"		
2.	314-315D	MATL CONTROL CLAMP 90		
3.	314-321D	3/4X1 1/2 CRBD TIP STUD W/FLX		
4.	321-014H	SKID SHOE, PR & SR SERIES		
5.	321-056H	FRAME WELDMENT 90	Includes bushings #23 & #24	
6.	321-061H	MATERIAL CONTROL WLD SR2690		
7.	321-088H	WMT, SIDE PLT RH		
8.	321-089H	WMT, SIDE PLT LH		
9.	800-080C	GREASE ZERK 1/4-28 THD FORMING		
10.	800-309C	SNAP RING INT 4.107 OD .120W		
11.	802-022C	HHCS 3/8-16X1 1/2 GR5		
12.	802-024C	HHCS 3/8-16X3 GR5		
13.	802-160C	HHCS 5/8-11X3 1/4 GR5		
14.	803-013C	NUT LOCK 3/8-16 PLT		
15.	803-014C	NUT HEX 3/8-16 PLT		
16.	803-304C	NUT HEX WHIZ 5/8-11 PLT		
17.	804-012C	WASHER FLAT 3/8 SAE PLT		
18.	804-013C	WASHER LOCK SPRING 3/8 PLT		
19.	804-021C	WASHER FLAT 5/8 SAE PLT		
20.	805-126C	PIN LINCH 1/4 X 1 3/4 PLT		
21.	817-652C	FLEX MATERIAL CONTROL 90"		
22.	822-182C	BRG INS 1.50IDX3.93OD SPH		
23.	890-005C	BUSHING CYL 1 1/4 X 1 X 1		
24.	890-011C	BUSHING SPINDLE 1 1/2X1 1/4X1		

SRF27 Fixed Hitch

Applies to AP-SRF2772, AP-SRF2790



70049

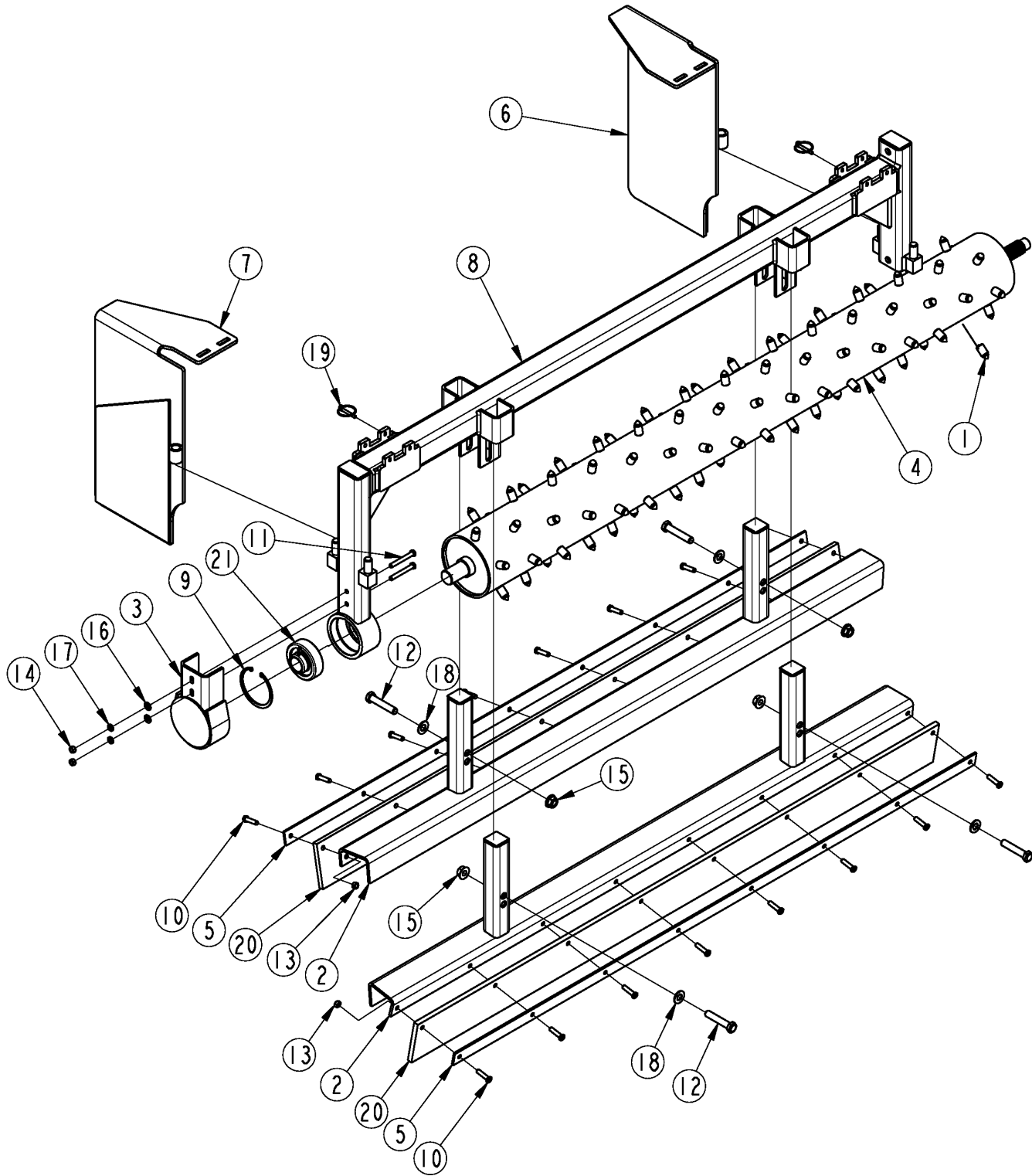
SRF27 Fixed Hitch

Applies to AP-SRF2772, AP-SRF2790

Ref	Part No.	Part Description	Comments	Revision
	dwg 70049	Drawing Image Number		
1.	321-115H	HITCH, FIXED		
2.	803-263C	NUT HEX FLANGE LOCK 5/8-11 PLT		
3.	806-018C	U-BOLT 5/8-11 X 3 1/32 X 4 1/4 G5	SRF2772	
3.	806-275C	U-BOLT 5/8-11 X 3 1/32 X 7 1/2	SRF2790	

SRF2772 Mainframe with Roller and Blades

Applies to AP-SRF2772



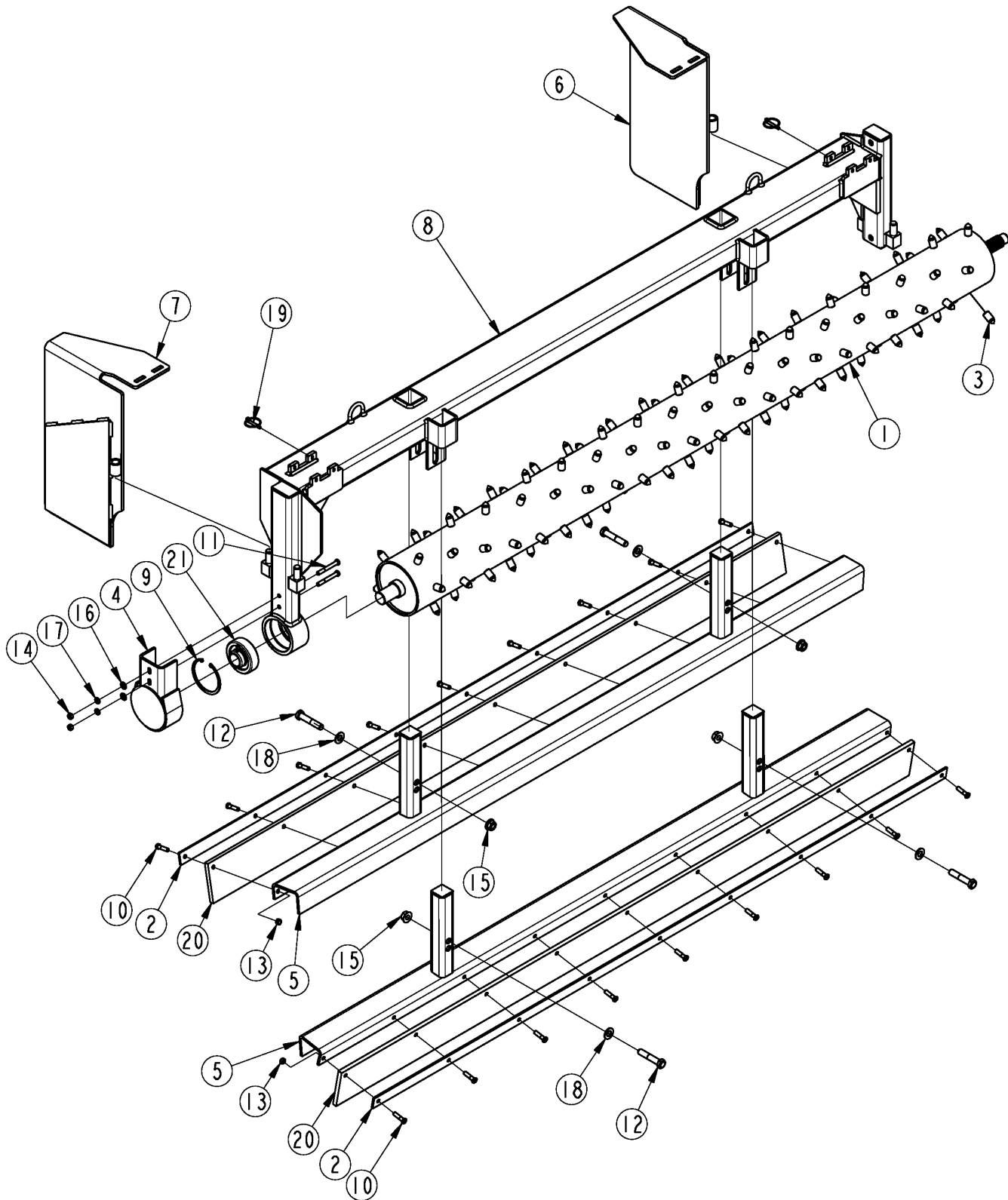
70048

SRF2772 Mainframe with Roller and Blades**Applies to AP-SRF2772**

Ref	Part No.	Part Description	Comments	Revision
	dwg 70048	Drawing Image Number		
1.	314-321D	3/4X1 1/2 CRBD TIP STUD W/FLX		
2.	321-011H	MAT'L CONTROL WELDMENT		
3.	321-014H	SKID SHOE, PR & SR SERIES		
4.	321-052H	STUD ROLLER WELDMENT		
5.	321-074D	MATL CONTROL CLAMP 72		
6.	321-088H	WMT, SIDE PLT RH		
7.	321-089H	WMT, SIDE PLT LH		
8.	321-130H	MAIN FRAME F72		
9.	800-309C	SNAP RING INT 4.107 OD .120W		
10.	802-022C	HHCS 3/8-16X1 1/2 GR5		
11.	802-024C	HHCS 3/8-16X3 GR5		
12.	802-160C	HHCS 5/8-11X3 1/4 GR5		
13.	803-013C	NUT LOCK 3/8-16 PLT		
14.	803-014C	NUT HEX 3/8-16 PLT		
15.	803-304C	NUT HEX WHIZ 5/8-11 PLT		
16.	804-012C	WASHER FLAT 3/8 SAE PLT		
17.	804-013C	WASHER LOCK SPRING 3/8 PLT		
18.	804-021C	WASHER FLAT 5/8 SAE PLT		
19.	805-126C	PIN LINCH 1/4 X 1 3/4 PLT		
20.	817-395C	MATERIAL CONTROL BLADE		
21.	822-182C	BRG INS 1.50IDX3.93OD SPH		

SRF2790 Mainframe with Roller and Blades

Applies to AP-SRF2790



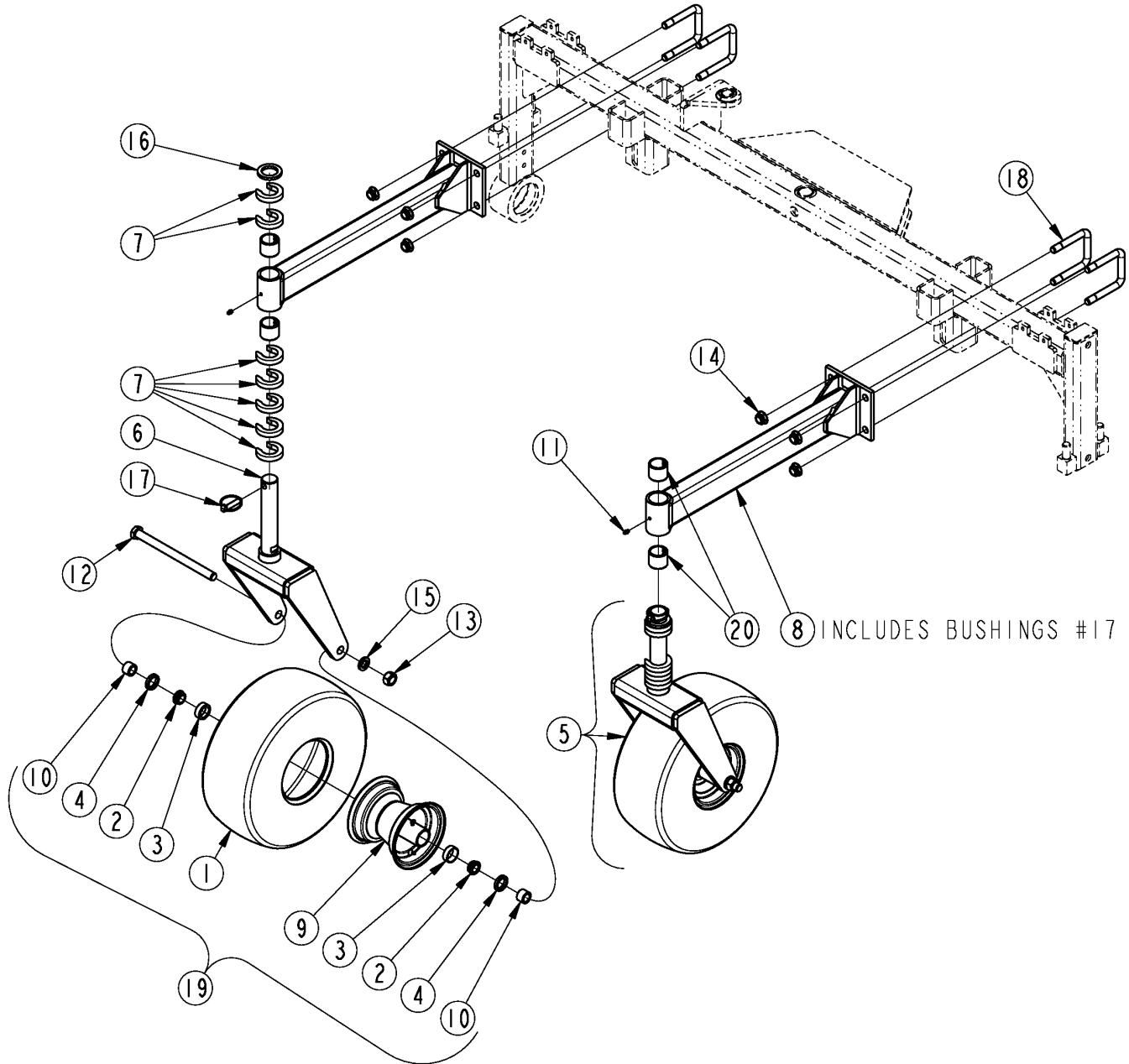
70051

SRF2790 Mainframe with Roller and Blades**Applies to AP-SRF2790**

Ref	Part No.	Part Description	Comments	Revision
	dwg 70051	Drawing Image Number		
1.	314-244H	STUD ROLLER WLDMT 90"		
2.	314-315D	MATL CONTROL CLAMP 90		
3.	314-321D	3/4X1 1/2 CRBD TIP STUD W/FLX		
4.	321-014H	SKID SHOE, PR & SR SERIES		
5.	321-061H	MATERIAL CONTROL WLD SR2690		
6.	321-088H	WMT, SIDE PLT RH		
7.	321-089H	WMT, SIDE PLT LH		
8.	321-132H	MAIN FRAME F90		
9.	800-309C	SNAP RING INT 4.107 OD .120W		
10.	802-022C	HHCS 3/8-16X1 1/2 GR5		
11.	802-024C	HHCS 3/8-16X3 GR5		
12.	802-160C	HHCS 5/8-11X3 1/4 GR5		
13.	803-013C	NUT LOCK 3/8-16 PLT		
14.	803-014C	NUT HEX 3/8-16 PLT		
15.	803-304C	NUT HEX WHIZ 5/8-11 PLT		
16.	804-012C	WASHER FLAT 3/8 SAE PLT		
17.	804-013C	WASHER LOCK SPRING 3/8 PLT		
18.	804-021C	WASHER FLAT 5/8 SAE PLT		
19.	805-126C	PIN LINCH 1/4 X 1 3/4 PLT		
20.	817-652C	FLEX MATERIAL CONTROL 90"		
21.	822-182C	BRG INS 1.50IDX3.93OD SPH		

Gauge Wheels

Applies to AP-SR2772, AP-SR2790, AP-SRF2772, AP-SRF2790



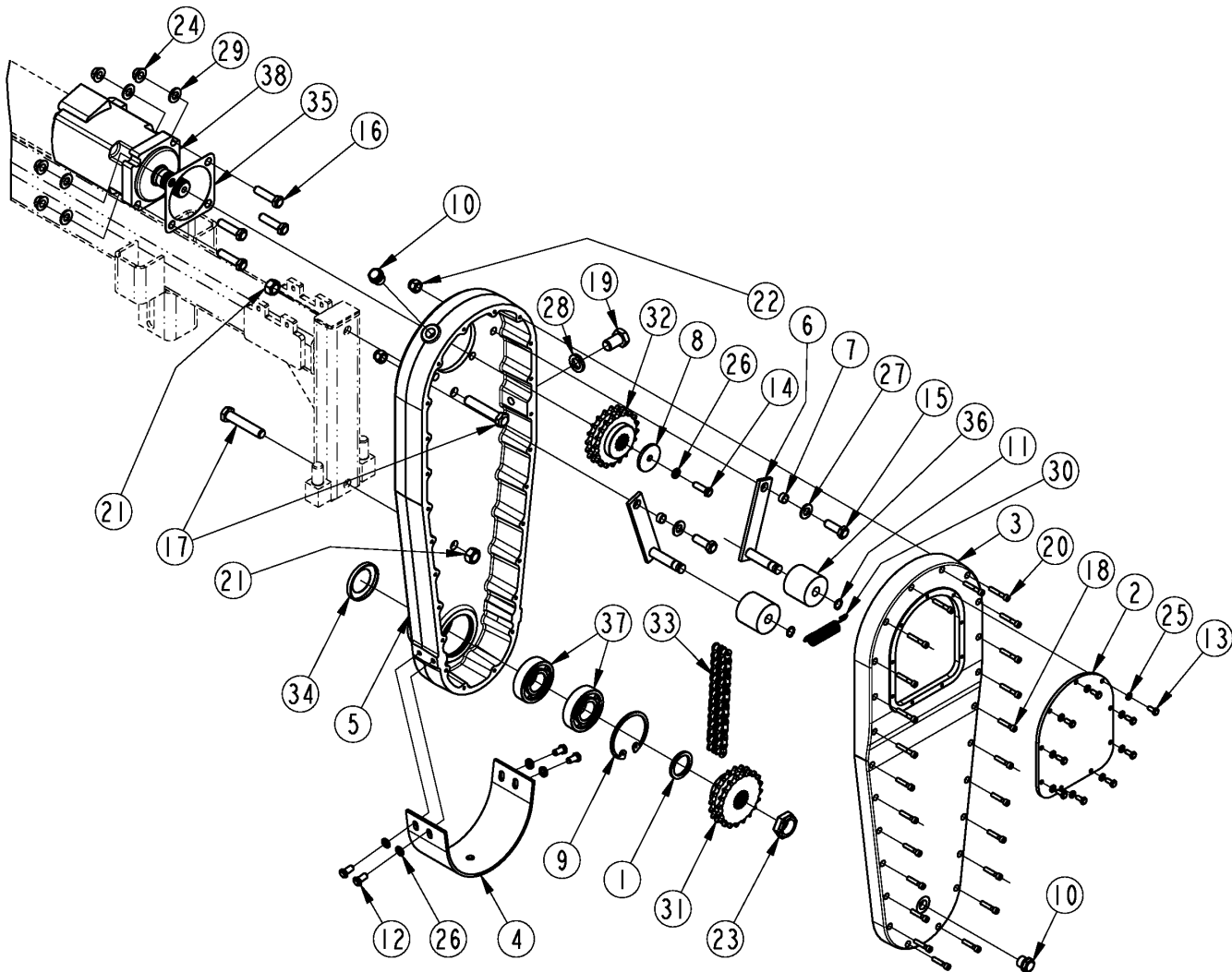
39902

Gauge Wheels**Applies to AP-SR2772, AP-SR2790, AP-SRF2772, AP-SRF2790**

Ref	Part No.	Part Description	Comments	Revision
	dwg 39902	Drawing Image Number		
1.	13-304U	CARLISLE TIRE		
2.	30-437	CARLISLE BRG CONE		
3.	30-438	CARLISLE BRG CUP		
4.	30-439S2	CARLISLE SEAL		
5.	314-210S	GUAGE WHEEL YOKE ASSY		
6.	314-211H	GAUGE WHEEL YOKE WELD		
7.	315-733D	C SPACER COLLAR 1/2X1 17/32 ID		
8.	321-139H	GAUGE WHL ARM	includes 2 bushings #17	
9.	50-015S6Y	CARLISLE RIM		
10.	53-170	CARLISLE SPACER		
11.	800-080C	GREASE ZERK 1/4-28 THD FORMING		
12.	802-272C	HHCS 3/4-10X10 GR5		
13.	803-027C	NUT HEX 3/4-10 PLT		
14.	803-263C	NUT HEX FLANGE LOCK 5/8-11 PLT		
15.	804-023C	WASHER LOCK SPRING 3/4 PLT		
16.	804-202C	WASHER 2 1/4X1 17/32X1/4		
17.	805-341C	PIN LINCH 7/16 X 2		
18.	806-018C	U-BOLT 5/8-11 X 3 1/32X4 1/4G5	SR2772	
18.	806-275C	U-BOLT 5/8-11 X 3 1/32 X 7 1/2	SR2790	
19.	814-186C	TIRE 16.5 X 6.50-8 2PLY RIB		
20.	890-264C	BUSHING 1 3/4 X 1 1/2 X 1 1/2		

Chain Case With Hydraulic Motor

Applies to AP-SR2772, AP-SR2790, AP-SRF2772, AP-SRF2790



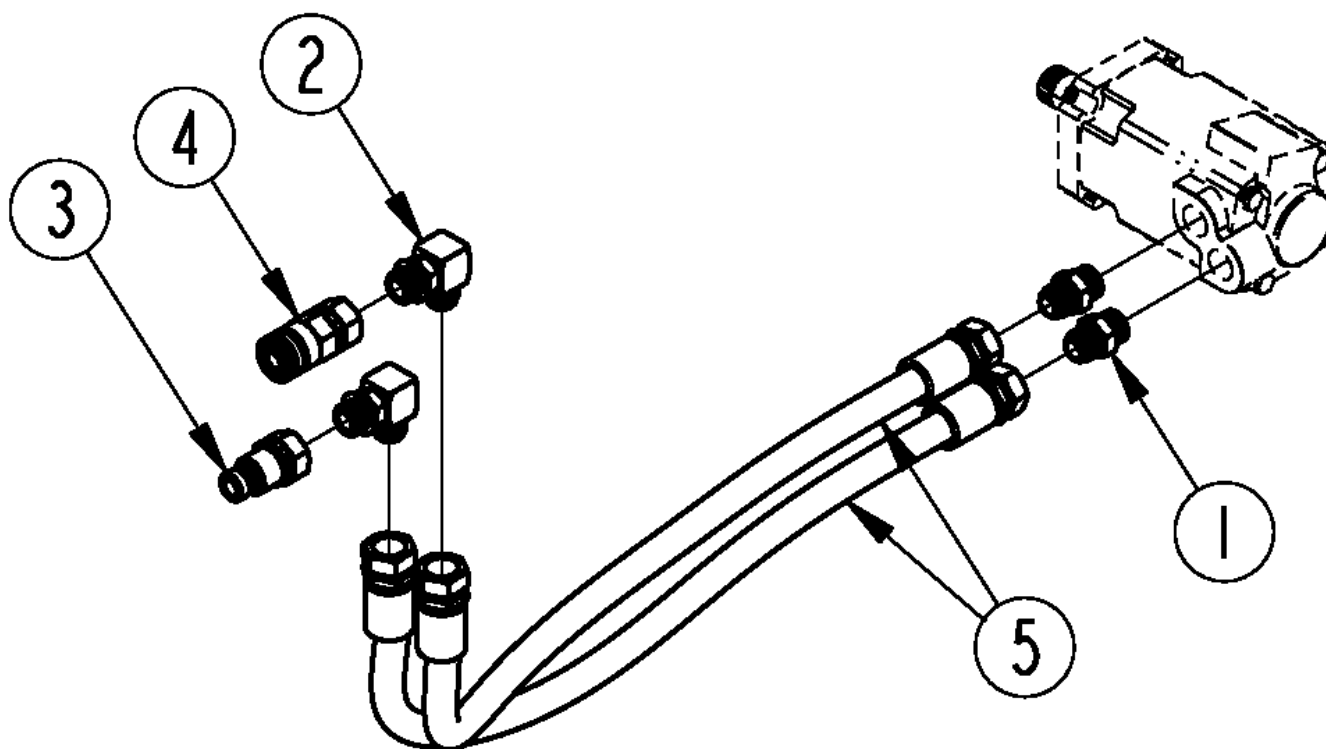
39901

Chain Case With Hydraulic Motor**Applies to AP-SR2772, AP-SR2790, AP-SRF2772, AP-SRF2790**

Ref	Part No.	Part Description	Comments	Revision
	Dwg 39901	Drawing Image Number		
1.	314-209D	UPPER SPLINE SPACER		
2.	314-258H	WMT, ACCESS COVER		
3.	314-274D	CAST CASE CVR MACHINED		
4.	314-276D	SKID SHOE, CHAIN CASE PR & SR		
5.	314-293D	CAST CASE MACHINED		
6.	321-020H	CHAIN TIGHTENER WELDMENT		
7.	321-065D	TUBE RND DOM. 5/8ODX17GWX11/32		
8.	321-067D	WASHER FLAT 3/8X2X10 GA		
9.	800-053C	SNAP RING INT3.523OD N5000-315		
10.	800-066C	DRAIN PLUG 3/4-16 UNF PLATED		
11.	800-118C	SNAP RING EXT 5/8 .050 T		
12.	802-014C	HHCS 3/8-16X3/4 GR5		
13.	802-078C	HHCS 1/4-20X5/8 GR5		
14.	802-079C	HHCS 3/8-16X1 1/4 GR5		
15.	802-091C	HHCS 1/2-13X1 1/2 GR5		
16.	802-128C	HHCS 1/2-13X2 GR5		
17.	802-160C	HHCS 5/8-11X3 1/4 GR5		
18.	802-470C	HSNCS 1/4-20X1 1/4		
19.	802-573C	HHCS 3/4-10X1 1/4 GR5		
20.	802-574C	HSNCS 1/4-20X1 1/2		
21.	803-024C	NUT LOCK 5/8-11 PLT		
22.	803-147C	NUT HEX NYLOCK 1/2-13		
23.	803-153C	NUT LT JAM 1 1/8-12 NYLN INSRT		
24.	803-169C	NUT HEX FLG LOCK 1/2-13 PLT		
25.	804-006C	WASHER LOCK SPRING 1/4 PLT		
26.	804-013C	WASHER LOCK SPRING 3/8 PLT		
27.	804-016C	WASHER FLAT 1/2 SAE PLT		
28.	804-023C	WASHER LOCK SPRING 3/4 PLT		
29.	804-094C	WASHER FLAT 1/2 HARD ASTM F436		
30.	807-183C	SPRING, TENSION .78X3.82X.09W		
31.	808-131C	SPKT 50-2 X 20T 16/32X21T SPLN		
32.	808-266C	SPKT 50-2 X 20T 12/24X14T SPLN		
33.	809-202C	SR2772 CHAIN #50-2X98P HI TEN ENDLESS	SR2772	
33.	809-298C	SR2790 CHAIN #50-2X98P HI TEN ENDLESS	SR2790 (Do not substitute 809-202C)	
34.	816-068C	SEAL 1.75 X 2.75 X .313		
35.	816-319C	MOTOR GASKET		
36.	817-418C	UHMW 2 1/4ODX21/32IDX2 ROLLER		
37.	822-082C	BRG BALL 1.37IDX3.14ODX.82 307		
38.	850-226C	HYD MTR EATON 4000 12.5 CU IN	SR2772	
38.	810-389C	HYD MTR EATON 4000 15 CU IN	SR2790	

Arrangement for Fixed Hydraulic Angling

Applies to AP-SRF2772, AP-SRF2790



70050

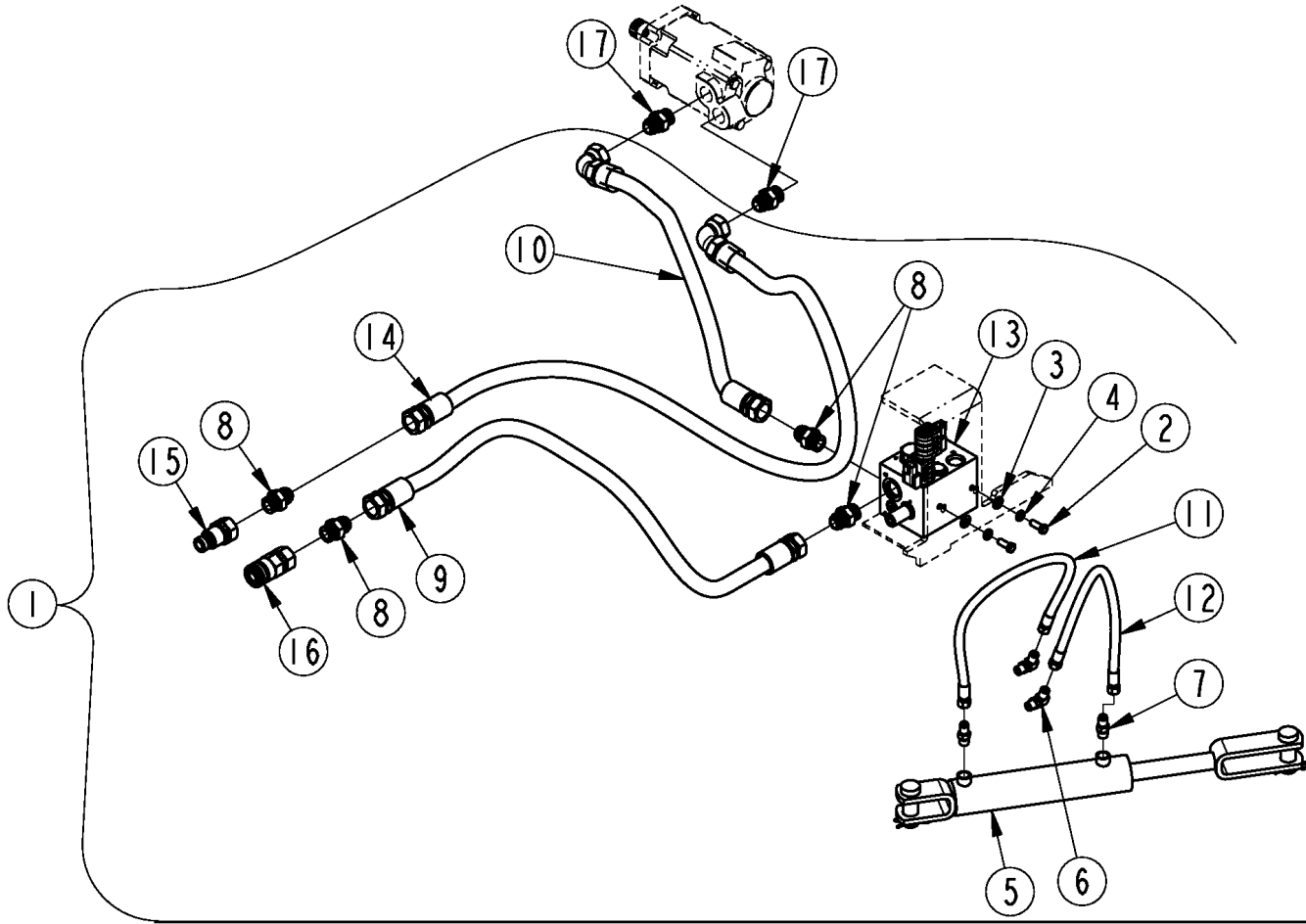
Arrangement for Fixed Hydraulic Angling

Applies to AP-SRF2772, AP-SRF2790

Ref	Part No.	Part Description	Comments	Revision
	dwg 70050	Drawing Image Number		
1.	811-408C	AD 1 1/16MORB 1 1/16MJIC		
2.	811-411C	EL 1 1/16MJIC 1 1/16MORB		
3.	851-947C	CUP 1 1/16FORB MALE QUICK CPLR		
4.	851-948C	CUP 1 1/16FORB FML QUICK CPLR		
5.	861-006C	HH5/8R16S 070 1.06FJIC	SRF2772	
5.	861-009C	HH5/8R16S 080 1.06FJIC	SRF2790	

Arrangement for Hydraulic Angling

Applies to AP-SR2772, AP-SR2790



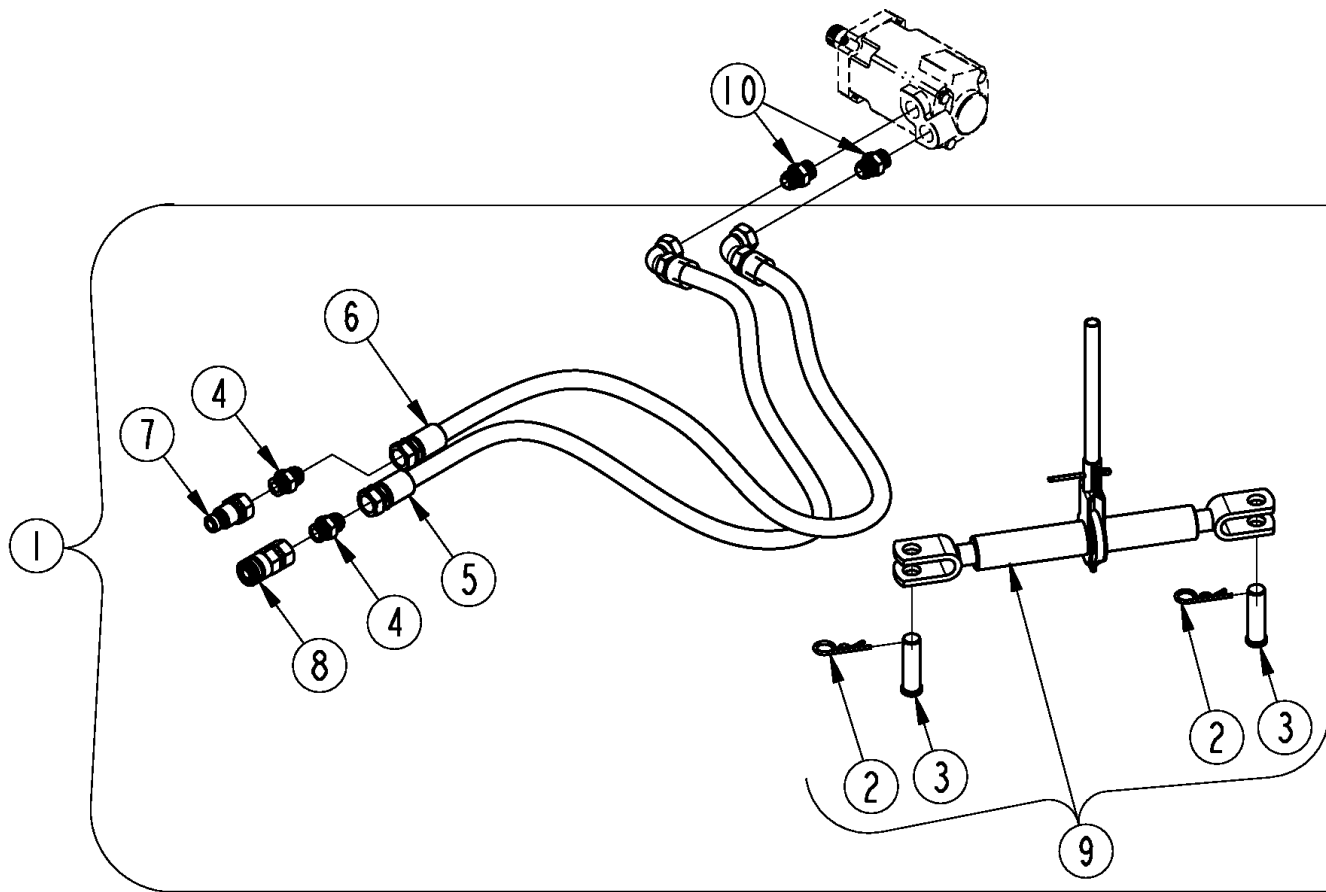
39903

Arrangement for Hydraulic Angling**Applies to AP-SR2772, AP-SR2790**

Ref	Part No.	Part Description	Comments	Revision
	dwg 39903	Drawing Image Number		
1.	321-121A	VALVE AND CYL HYD ASSY 72	SR2772	
1.	321-123A	VALVE AND CYL HYD ASSY 90	SR2790	
2.	802-017C	HHCS 3/8-16X1 GR5		
3.	804-012C	WASHER FLAT 3/8 SAE PLT		
4.	804-013C	WASHER LOCK SPRING 3/8 PLT		
5.	810-005C	CYL 2X8X1.12 ROD		
6.	811-065C	EL 9/16MJIC 9/16MORB		
7.	811-151C	AD 9/16MJIC 3/8MNPT		
8.	811-408C	AD 1 1/16MORB 1 1/16MJIC		
9.	811-742C	HH5/8R16S 053 1.06FJIC		
10.	811-743C	HH5/8R16S 036 1.06FJIC1 (1 90)	SR2772	
10.	841-104C	HH5/8R16S 046 1.06FJIC1 (1 90)	SR2790	
11.	841-546C	HH3/8R2 020 9/16FJIC SLVNG		
12.	841-546C	HH3/8R2 020 9/16FJIC SLVNG		
13.	850-110C	VALVE SR BY-PASS		
14.	851-826C	HH5/8R16S 090 1.06FJIC1 (1 90)	SR2772	
14.	851-827C	HH5/8R16S 100 1.06FJIC1 (1 90)	SR2790	
15.	851-947C	CUP 1 1/16FORB MALE QUICK CPLR		
16.	851-948C	CUP 1 1/16FORB FML QUICK CPLR		
17.	811-408C	AD 1 1/16MORB 1 1/16MJIC		

Arrangement for Manual Angling

Applies to AP-SR2772, AP-SR2790



39904

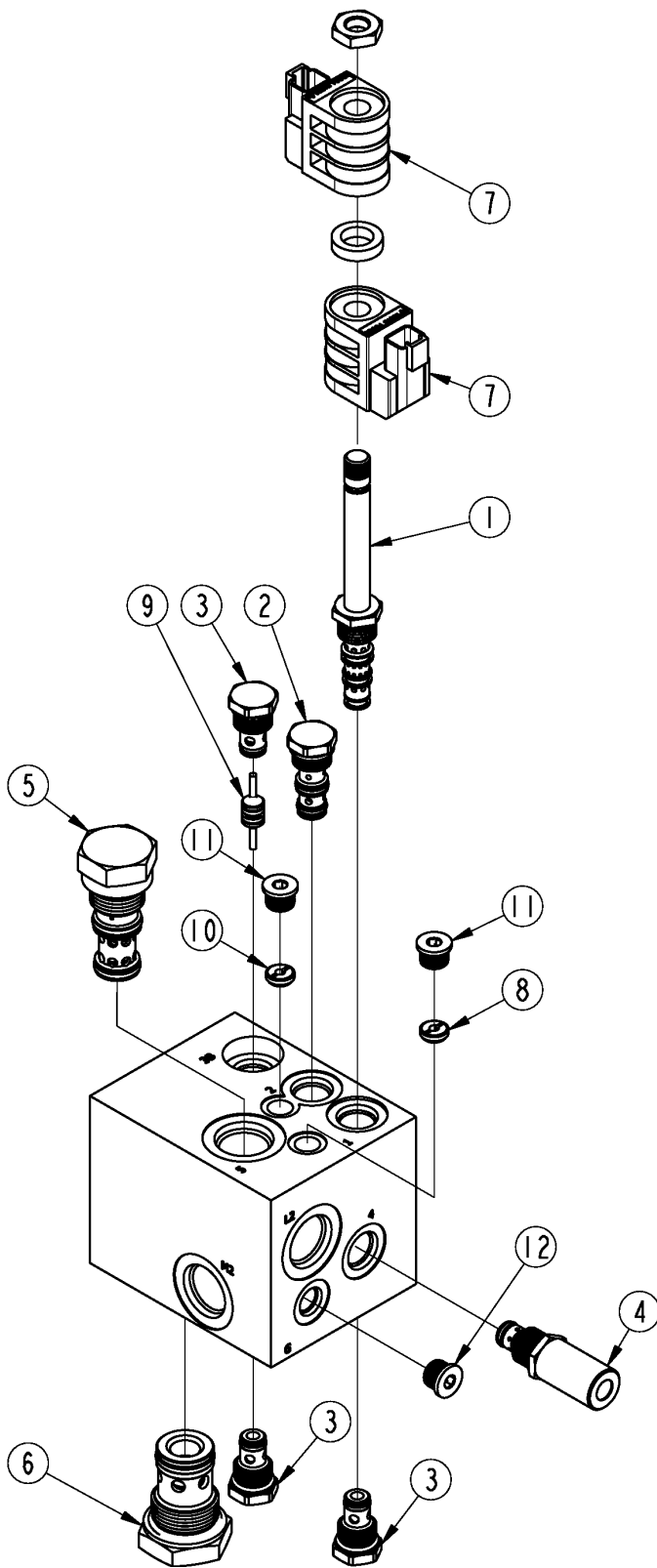
Arrangement for Manual Angling

Applies to AP-SR2772, AP-SR2790

Ref	Part No.	Part Description	Comments	Revision
	dwg 39904	Drawing Image Number		
1.	321-122A	MANUAL LINK ASSY 72	SR2772	
1.	321-124A	MANUAL LINK ASSY 72	SR2790	
2.	805-088C	PIN, HAIR COTTER 3/16 WIRE DIA		
3.	805-090C	PIN CLVS 1.0X3.20 USBL		
4.	811-408C	AD 1 1/16MORB 1 1/16MJIC		
5.	851-826C	HH5/8R16S 090 1.06FJIC1 (1 90)	SR2772	
5.	851-827C	HH5/8R16S 100 1.06FJIC1 (1 90)	SR2790	
6.	851-826C	HH5/8R16S 090 1.06FJIC1 (1 90)		
7.	851-947C	CUP 1 1/16FORB MALE QUICK CPLR		
8.	851-948C	CUP 1 1/16FORB FML QUICK CPLR		
9.	890-177C	RATCHET JACK - HEAVY DUTY	Includes Items #2 & #3	
10.	811-408C	AD 1 1/16MORB 1 1/16MJIC		

Hydraulic By-Pass Valve (850-110C)

Applies to AP-SR2772, AP-SR2790



39912

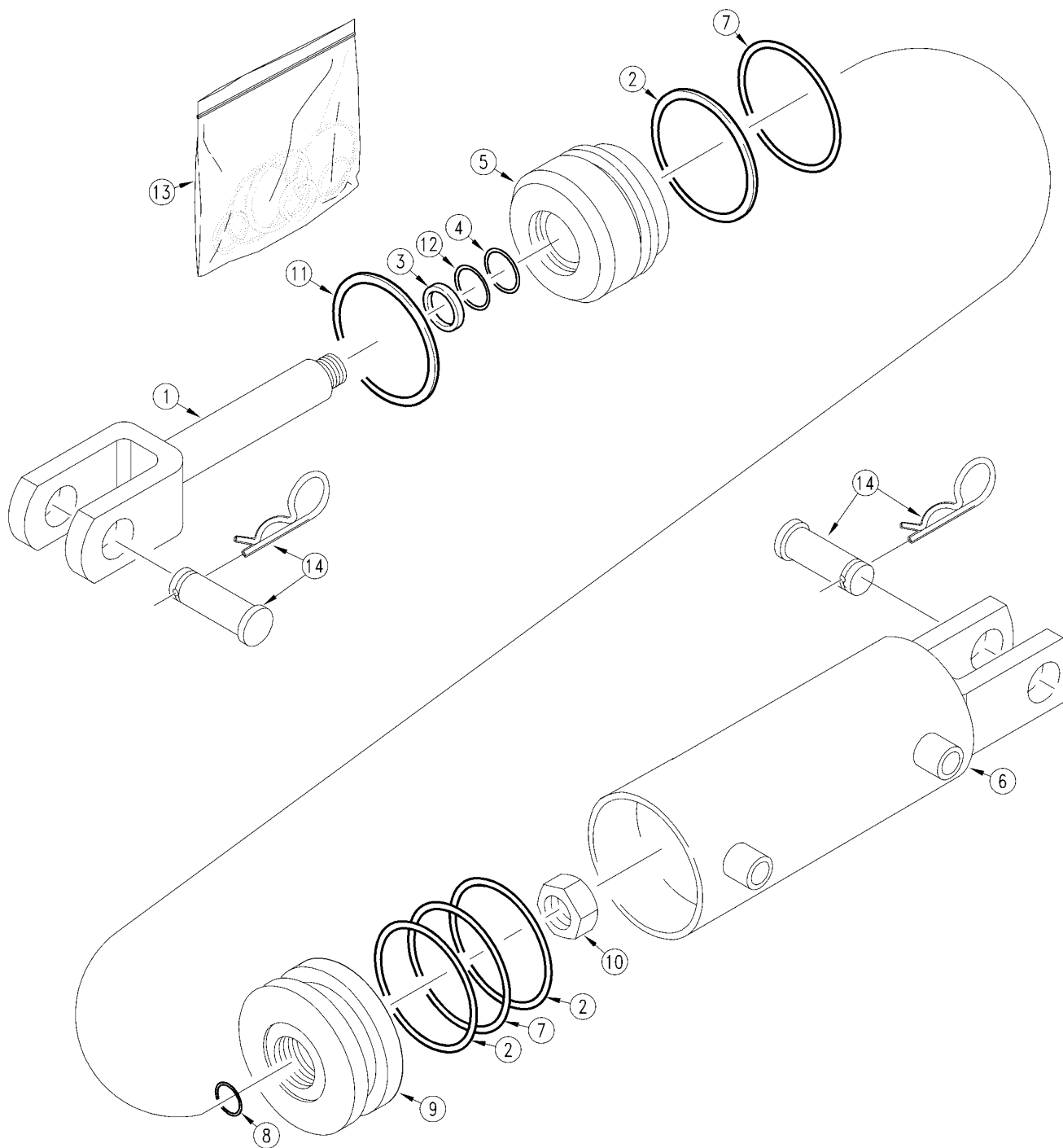
Hydraulic By-Pass Valve (850-110C)

Applies to AP-SR2772, AP-SR2790

Ref	Part No.	Part Description	Comments	Revision
	dwg 39912	Drawing Image Number		
1.	86020607	DELTA 4W3P MTR SPOOL		
2.	86020218	DELTA SHUTTLE VALVE		
3.	86020157	DELTA CHECK VALVE		
4.	86020673	DELTA RELIEF VALVE		
5.	88400016	DELTA PRESSURE COMPENSATOR		
6.	87410023	DELTA CHECK VALVE		
7.	38400050	DELTA 12VDC COIL. WITH DIODE		
8.	61010123	DELTA ORIFICE PLUG		
9.	34952097	DELTA PILOT PISTON		
10.	61010092	DELTA DIA.096 ORIFICE		
11.	61010016	DELTA PLUG, #4 SAE, HEX SOC		
12.	61010007	DELTA #6 SAE PLUG		

Hydraulic Cylinder (810-005C)

Applies to AP-SR2772, AP-SR2790



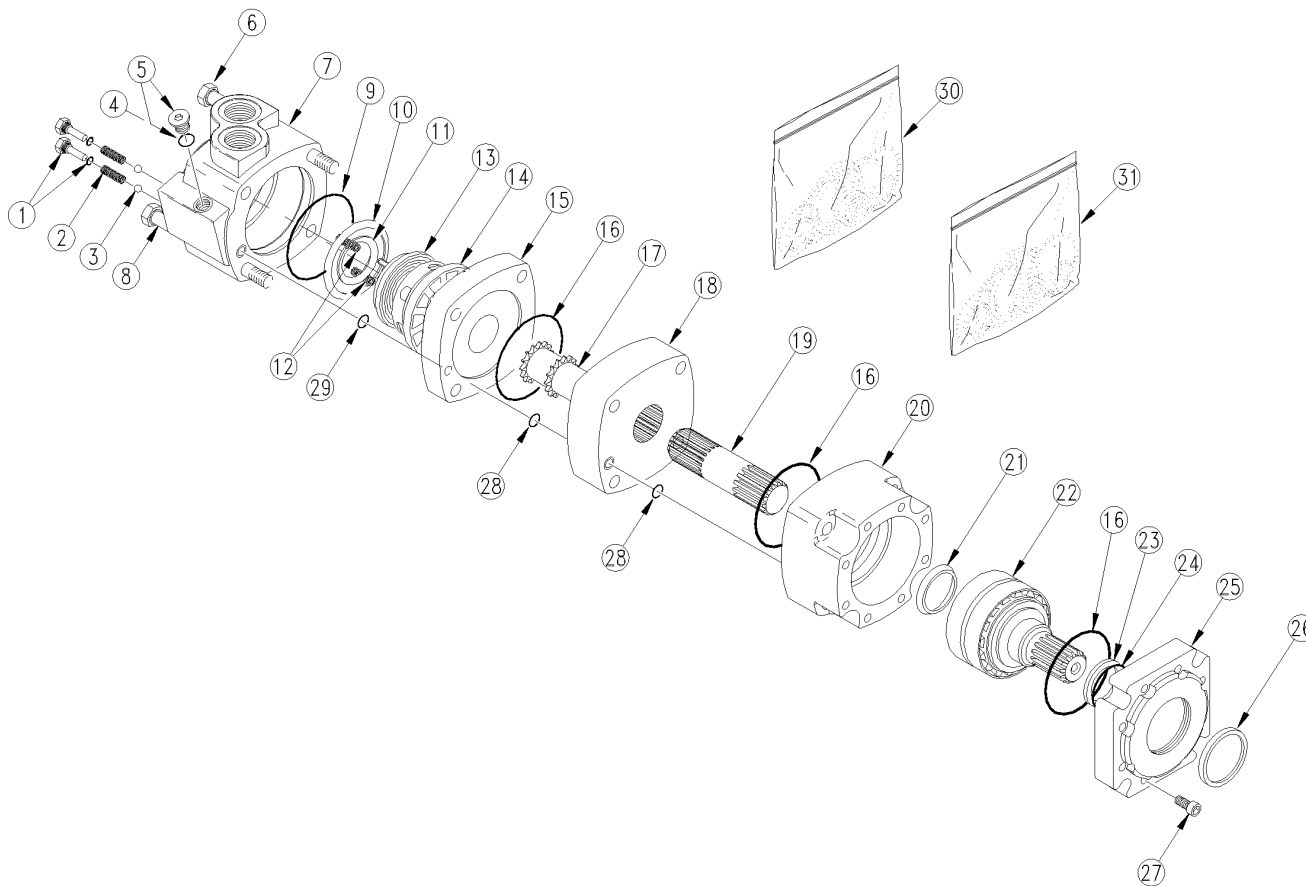
14078

Hydraulic Cylinder (810-005C)**Applies to AP-SR2772, AP-SR2790**

Ref	Part No.	Part Description	Comments	Revision
	Dwg 14078 810-005C	Drawing Image Number CYL 2X8X1.12 ROD SINGLE ACTING *		
1.	0A002526	EGY ROD 1.125DIA W/C		
1.	A-2526	RPBY 0A002526	Obsolete	
2.		BACK-UP RING	Available in Seal Kit #13 Only.	
3.		WIPER ROD	Available in Seal Kit #13 Only.	
4.		O-RING 1 1/8" ID X 1 3/8" OD	Available in Seal Kit #13 Only.	
5.	A-1906	EGY PISTON ROD GUIDE		
6.	B-988	EGY CYLINDER BODY		
7.		O-RING 1 5/8" ID X 2" OD	Available in Seal Kit #13 Only.	
8.		O-RING 3/4" ID X 7/8" OD	Available in Seal Kit #13 Only.	
9.	A-1845	EGY PISTON		
10.	82464	EGY 7/8-14UNF REG HEX LOCK NUT		
11.	83198	EGY RETAINER RING INTERNAL		
12.		BACK-UP RING 1 3/8" OD	Available in Seal Kit #13 Only.	
13.	810-012C	CYL SEAL KIT 2 X 8 (ENERGY)		
14.	805-004C	PIN CLEVIS 1 X 2 3/4 USABLE LG		

Hydraulic Motor (810-389C)

Applies to AP-SR2790



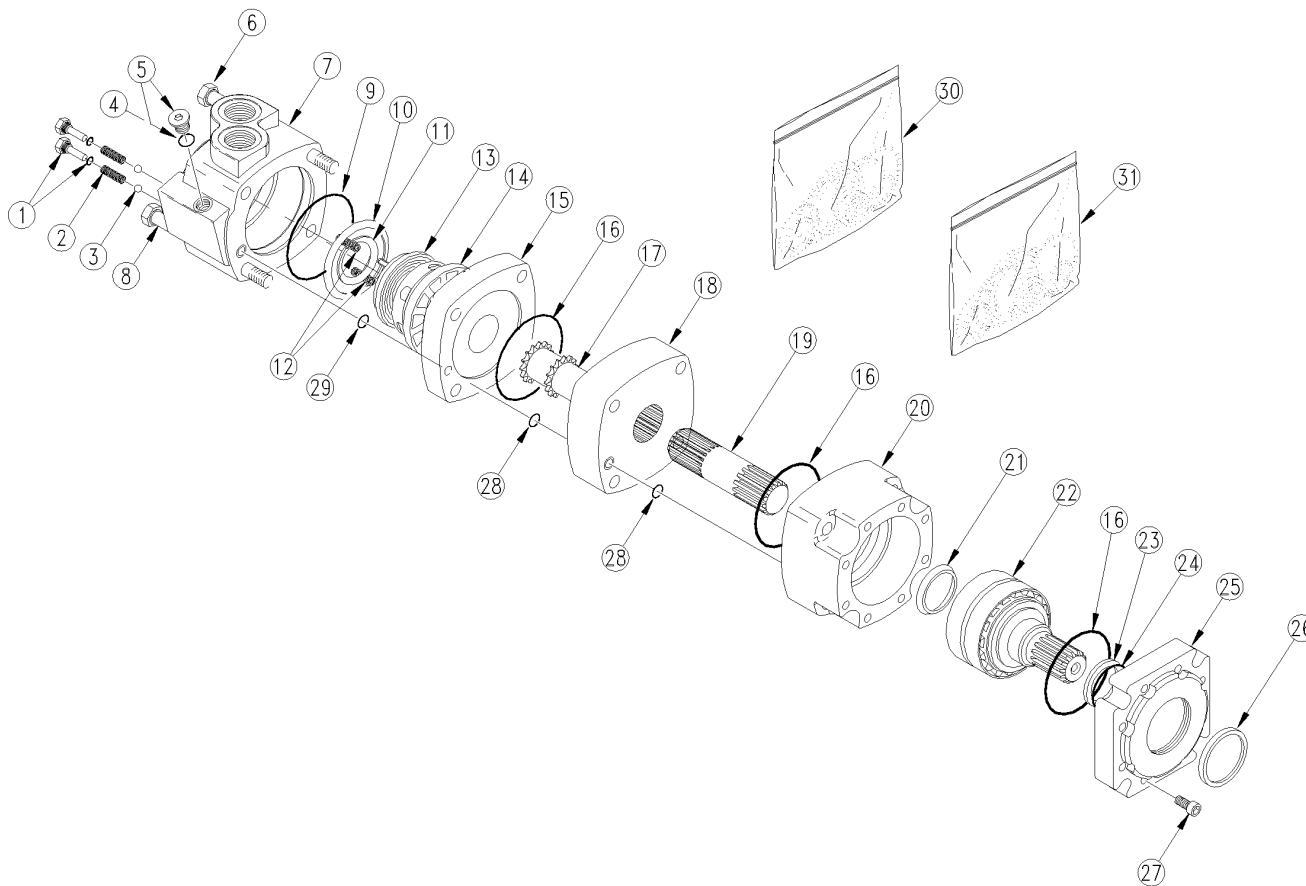
24528

Hydraulic Motor (810-389C)**Applies to AP-SR2790**

Ref	Part No.	Part Description	Comments	Revision
	Dwg 24528 810-389C	Drawing Image Number HYD MOTOR EATON 4000 15 CU IN *		
1.	8350-000	EATON PLUG SUB-ASSY		
2.	6464-000	EATON SPRING COMPRESSION		
3.	18026-000	EATON BALL STEEL		
4.		EATON O-RING	Found in seal kit item #30	
5.	9072-003	EATON PLUG SUB-ASSY		
6.	14386-007	EATON SCREW	1 Req'd	
7.	23382-003	EATON HOUSING VALVE SUB-ASSY		
8.	14386-005	EATON SCREW	3 Req'd	
9.		EATON SEAL	Found in seal kit item #30	
10.		EATON SEAL OUTER	Found in seal kit item #30	
11.		EATON SEAL INNER	Found in seal kit item #30	
12.	6203-000	EATON SPRING COMPRESSION		
13.	21316-000	EATON BALANCING RING SUB-ASSY		
14.	8500-000	EATON VALVE		
15.	8504-000	EATON PLATE VALVE		
16.		EATON SEAL	Found in seal kit item #30 or #31	
17.	8510-000	EATON DRIVE VALVE		
18.	8464-005	EATON GEROLER SUB-ASSEMBLY		
19.	21372-003	EATON DRIVE MAIN		
20.	23170-002	EATON HOUSING BEARING		
21.		EATON SEAL SHAFT FACE	Found in seal kit item #31	
22.	23310-003	EATON SHAFT SUB-ASSEMBLY		
23.		EATON SEAL	Found in seal kit item #31	
24.		EATON RING BACKUP	Found in seal kit item #31	
25.	23171-002	EATON RETAINER FRONT		
26.		EATON SEAL EXCLUSION	Found in seal kit item #31	
27.	16292-100	EATON SCREW CAP		
28.		EATON SEAL	Found in seal kit item #30	
29.		EATON SEAL	Found in seal kit item #30	
30.	61234-000	EATON REAR SEAL KIT (810-389C)		
31.	61281-000	EATON SHAFT SEAL KIT (810-389C)		

Hydraulic Motor (850-226C)

Applies to AP-SR2772, AP-SRF2772, AP-SRF2790



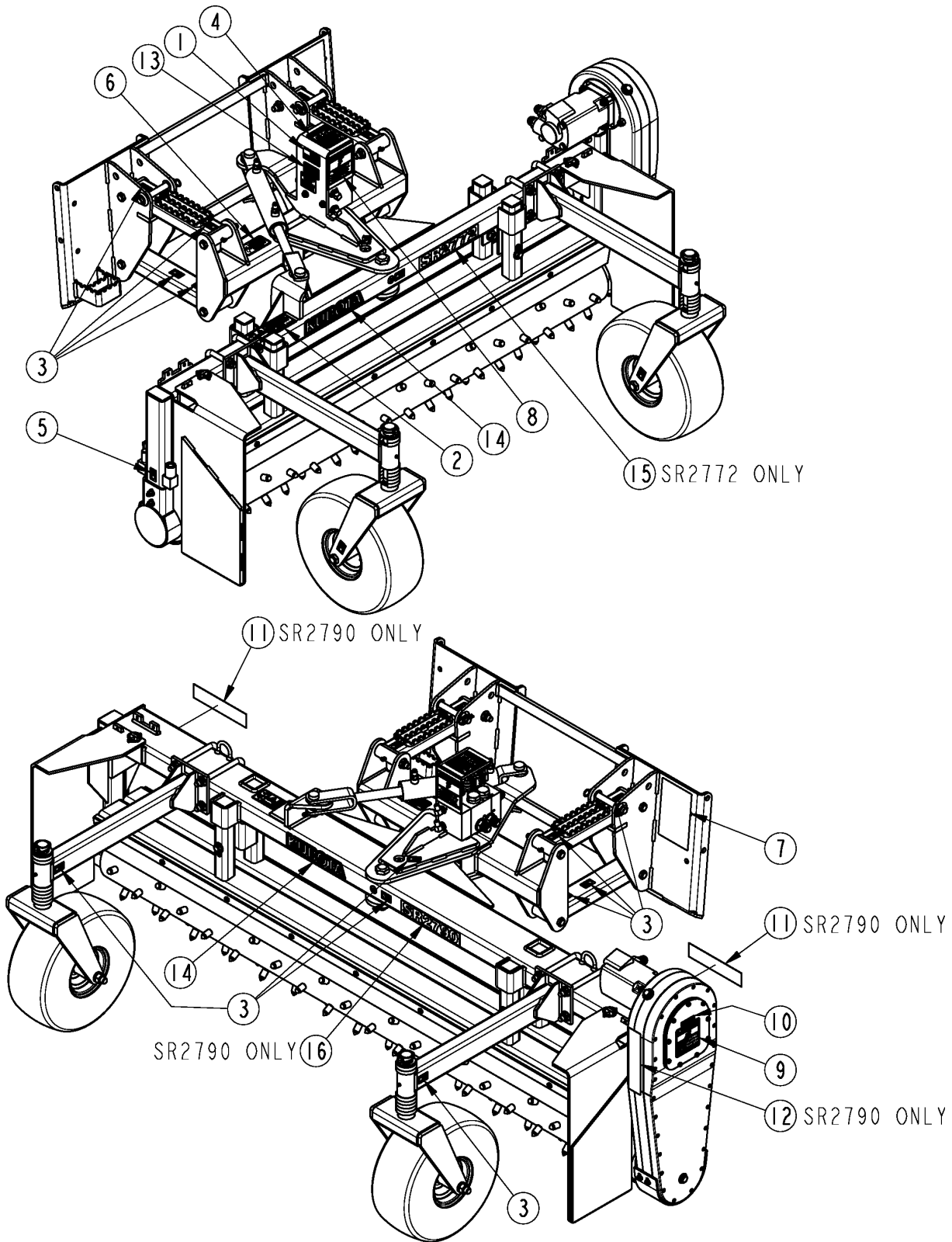
24528

Hydraulic Motor (850-226C)**Applies to AP-SR2772, AP-SRF2772, AP-SRF2790**

Ref	Part No.	Part Description	Comments	Revision
	Dwg 24528 850-226C	Drawing Image Number HYD MOTOR EATON 4000 12.5 CU IN *		
1.	8350-000	EATON PLUG SUB-ASSY		
2.	6464-000	EATON SPRING COMPRESSION		
3.	18026-000	EATON BALL STEEL		
4.		EATON O-RING	Found in seal kit item #30	
5.	9072-003	EATON PLUG SUB-ASSY		
6.	14386-009	SCREW	1 Req'd	
7.	23382-003	EATON HOUSING VALVE SUB-ASSY		
8.	14386-007	EATON SCREW	3 Req'd	
9.		EATON SEAL	Found in seal kit item #30	
10.		EATON SEAL OUTER	Found in seal kit item #30	
11.		EATON SEAL INNER	Found in seal kit item #30	
12.	6203-000	EATON SPRING COMPRESSION		
13.	21316-000	EATON BALANCING RING SUB-ASSY		
14.	8500-000	EATON VALVE		
15.	8504-000	EATON PLATE VALVE		
16.		EATON SEAL	Found in seal kit item #30 & 31	
17.	8510-000	EATON DRIVE VALVE		
18.	8464-004	GEROLER SUB-ASSEMBLY		
19.	21372-004	DRIVE, MAIN		
20.	23170-002	EATON HOUSING BEARING		
21.		EATON SEAL SHAFT FACE	Found in seal kit item #31	
22.	23310-003	EATON SHAFT SUB-ASSEMBLY		
23.		EATON SEAL	Found in seal kit item #31	
24.		EATON RING BACKUP	Found in seal kit item #31	
25.	23171-002	EATON RETAINER FRONT		
26.		EATON SEAL EXCLUSION	Found in seal kit item #31	
27.	16292-100	EATON SCREW CAP		
28.		EATON SEAL	Found in seal kit item #30	
29.		EATON SEAL	Found in seal kit item #30	
30.	61234-000	EATON REAR SEAL KIT		
31.	61281-000	EATON SHAFT SEAL KIT		

Decal Placement

Applies to AP-SR2772, AP-SR2790



39905

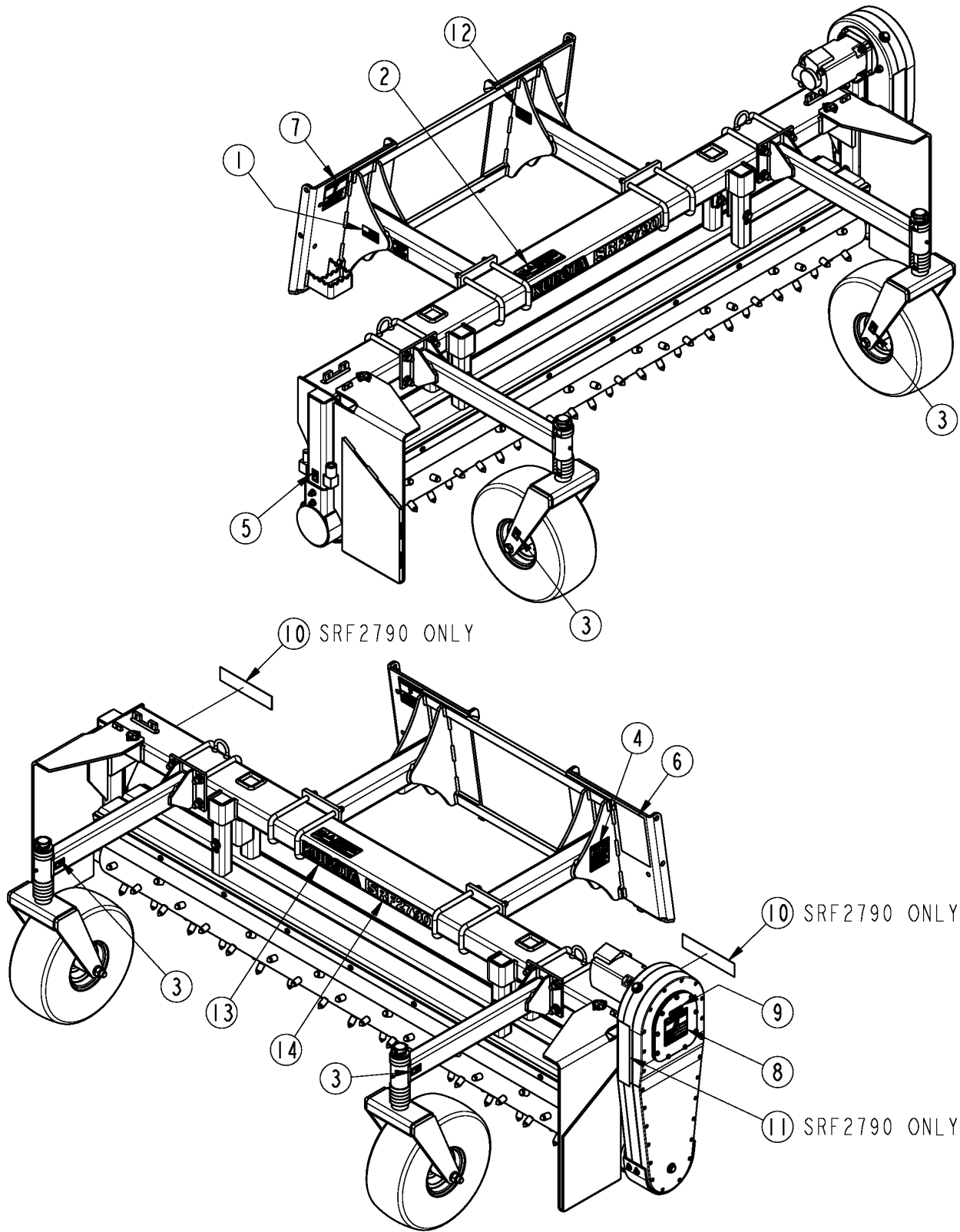
Decal Placement

Applies to AP-SR2772, AP-SR2790

Ref	Part No.	Part Description	Comments	Revision
	dwg 39905	Drawing Image Number		
1.	818-190C	DECAL FLAG		
2.	818-254C	DECAL DANGER ROTATING ROLLER		
3.	818-298C	DECAL GREASE 25HRS BLACK/WHITE		
4.	818-339C	DECAL WARNING HIGH PRESSURE SML		
5.	818-349C	DECAL GREASE 10 HRS LH		
6.	818-798C	DECAL WARNING PINCH POINT GEN		
7.	838-106C	DECAL WARNING SKID RAKE GENRL		
8.	838-107C	DECAL WARNING THROWN OBJECT		
9.	838-111C	DECAL DANGER MOVING PARTS		
10.	838-415C	DECAL SHELL GADUS S2 V220 00		
11.	838-614C	DECAL REFLECTOR RED 2X9	SR2790 ONLY	
12.	838-615C	DECAL REFLECTOR AMBER 2X9	SR2790 ONLY	
13.	858-235C	DECAL CAUTION MACHINE DAMAGE		
14.	858-398C	DECAL KUBOTA 10"		
15.	858-661C	DECAL SR2772 WHITE	SR2772 ONLY	
16.	858-662C	DECAL SR2790 WHITE	SR2790 ONLY	

Decal Placement

Applies to AP-SRF2772, AP-SRF2790



70053

Decal Placement

Applies to AP-SRF2772, AP-SRF2790

Ref	Part No.	Part Description	Comments	Revision
	dwg 70053	Drawing Image Number		
1.	818-190C	DECAL FLAG		
2.	818-254C	DECAL DANGER ROTATING ROLLER		
3.	818-298C	DECAL GREASE 25HRS BLACK/WHITE		
4.	818-339C	DECAL WARNING HIGH PRESSUR SML		
5.	818-349C	DECAL GREASE 10 HRS LH		
6.	838-106C	DECAL WARNING SKID RAKE GENRL		
7.	838-107C	DECAL WARNING THROWN OBJECT		
8.	838-111C	DECAL DANGER MOVING PARTS		
9.	838-415C	DECAL SHELL GADUS S2 V220 00		
10.	838-614C	DECAL REFLECTOR RED 2X9	SRF2790 Only	
11.	838-615C	DECAL REFLECTOR AMBER 2X9	SRF2790 Only	
12.	858-235C	DECAL CAUTION MACHINE DAMAGE		
13.	858-398C	DECAL KUBOTA 10"		
14.	858-663C	DECAL SRF2772 WHITE	SRF2790 Only	
14.	858-664C	DECAL SRF2790 WHITE	SRF2790 Only	

Kubota Touch-up Paints

Applies to AP-SR2772, AP-SR2790, AP-SRF2772, AP-SRF2790

No diagram associated with this Parts List

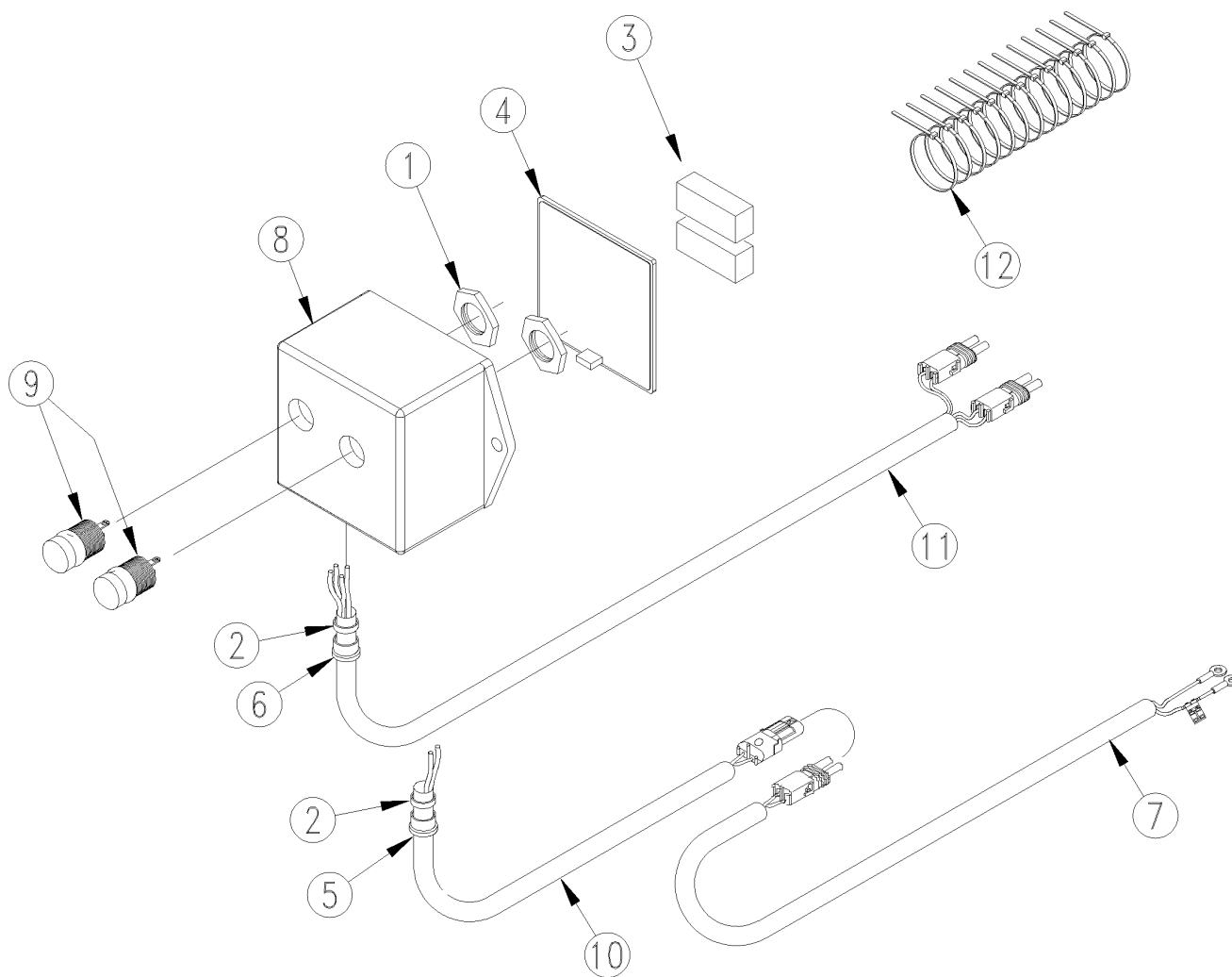
Kubota Touch-up Paints

Applies to AP-SR2772, AP-SR2790, AP-SRF2772, AP-SRF2790

Ref	Part No.	Part Description	Comments	Revision
1.	821-070C	GLOSS BLACK SPRAY CAN	All Products	
2.	821-070CTU	GLOSS BLACK TOUCH-UP 5OZ		
3.	821-070CQT	GLOSS BLACK QUART		
4.	821-070CGL	GLOSS BLACK GALLON		

Control Harness to 12V Battery (323-097A)

Applies to AP-SR2772, AP-SR2790



18537

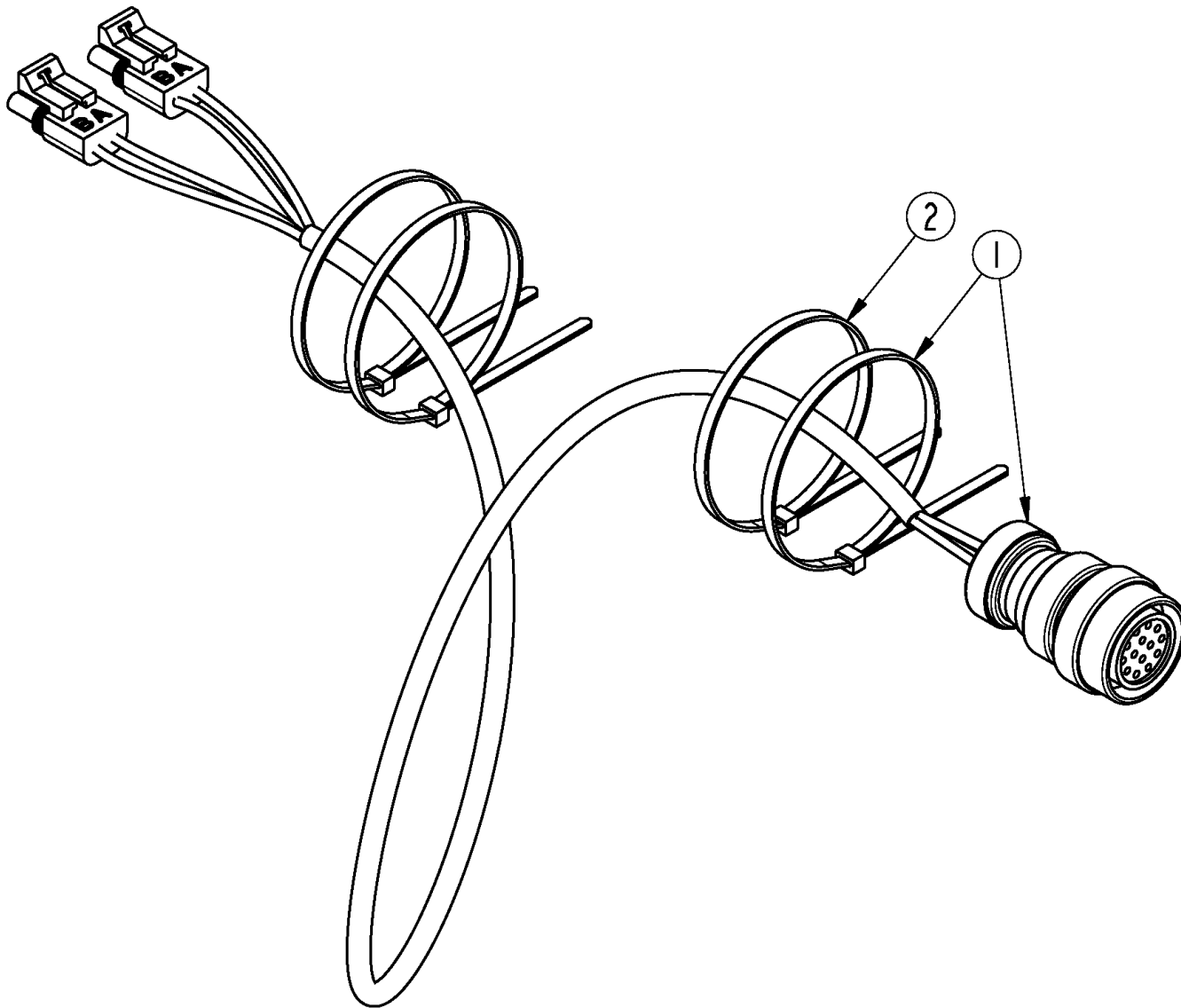
Control Harness to 12V Battery (323-097A)

Applies to AP-SR2772, AP-SR2790

Ref	Part No.	Part Description	Comments	Revision
	dwg18537 323-097A	Drawing Image Number SWITCH & WIRE HARNESS *		
1.	213-425	FASSE NUT JAM 15/32" BLK		
2.	800-303C	CABLE TIE 2 DIA MIN - BLK		
3.	219-082	FASSE MAG CERAMIC 1"X2"X.5"		
4.	251-031	FASSE ENCLOSED COVER 2X2		
5.	259-001	FASSE GROMMET .5000D SNAP		
6.	259-002	FASSE GROMMET .625OD SNAP		
7.	310-022	FASSE HRNSS 2 CON 15GA 2WPT /9		
8.	319-817	FASSE ENCL DRL 251030 4X1/2		
9.	319-895	FASSE SW ASSY PB MOM O R SW		
10.	320-046	FASSE HRNES 200N 16GA 2YPT/1.5		
11.	320-048	FASSE HRN 400N 16G 2X2 WPT/9.5		
12.	800-060C	CABLE TIE .19X14.25 3DIA 50LB		

Control Harness with 14 Pin Plug (323-094A)

Applies to AP-SR2772, AP-SR2790



37134

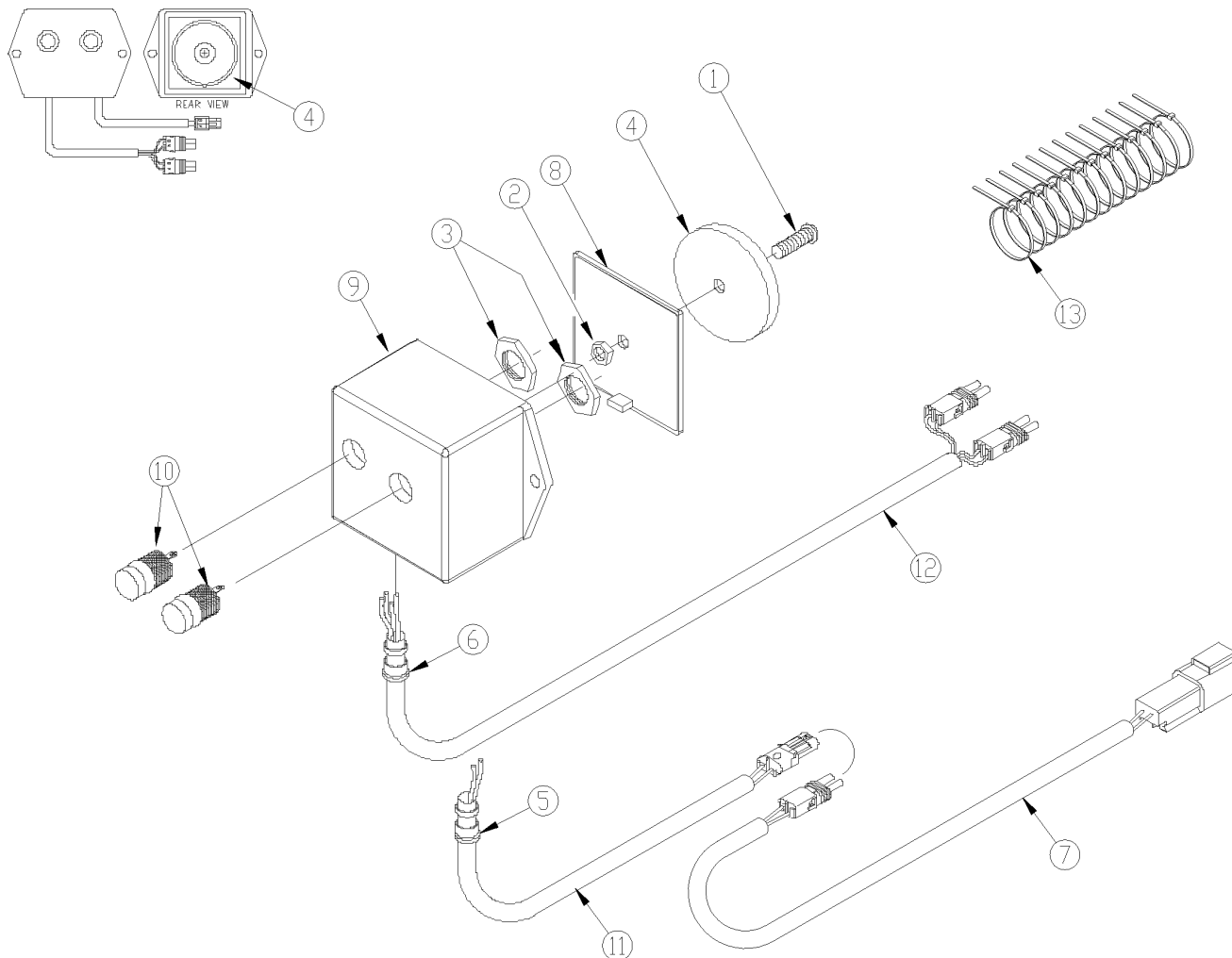
Control Harness with 14 Pin Plug (323-094A)

Applies to AP-SR2772, AP-SR2790

Ref	Part No.	Part Description	Comments	Revision
	dwg37134	Drawing Image Number		
1.	323-094A	DEUTSCH HD30 14 PIN PLUG 73"	Includes item #2	
2.	800-060C	CABLE TIE .19X14.25 3DIA 50LB		

Control Harness with DTP Plug (323-096A)

Applies to AP-SR2772, AP-SR2790



Control Harness with DTP Plug (323-096A)

Applies to AP-SR2772, AP-SR2790

Ref	Part No.	Part Description	Comments	Revision
	dwg37132	Drawing Image Number		
	323-096A	SWITCH & WIRE HARNESS DTP PLUG *		
1.	212-122	FASSE SCREW #10-32X7/16" ZNC		
2.	212-123	FASSE HEX LOCKNUT NYLON #10-32		
3.	213-425	FASSE NUT JAM 15/32" BLK		
4.	219-096	FASSE MAG CERAMIC RNS 2.0" DIA		
5.	259-001	FASSE GROMMET .5000D SNAP		
6.	259-002	FASSE GROMMET .625OD SNAP		
7.	309-044	FASSE HRN DTP04-2P 14GA 2WPT/5		
8.	311-016	FASSE ENCL DRILL CVR 2X2 3/16"		
9.	319-817	FASSE ENCL DRL 251030 4X1/2		
10.	319-895	FASSE SW ASSY PB MOM O R SW		
11.	320-046	FASSE HRNES 200N 16GA 2YPT/1.5		
12.	320-048	FASSE HRN 400N 16G 2X2 WPT/9.5		
13.	800-060C	CABLE TIE .19X14.25 3DIA 50LB		



Part Number Index

The Part Number Index is a numeric index of all part numbers included in this manual. The index shows what page(s) the part is used on.

Part Number	Page	Part Number	Page	Part Number	Page	Part Number	Page
0A002526	33	321-136H	7	808-131C	23	890-264C	21
13-304U	21	321-139H	21	808-266C	23	9072-003	35, 37
14386-005	35	323-094A	47	809-202C	23	A-1845	33
14386-007	35, 37	323-096A	49	809-298C	23	A-1906	33
14386-009	37	323-097A	45	810-005C	27, 33	A-2526	33
16292-100	35, 37	34952097	31	810-012C	33	B-988	33
18026-000	35, 37	38400050	31	810-389C	23, 35	Dwg 14078	33
212-122	49	50-015S6Y	21	811-065C	27	Dwg 24528	35, 37
212-123	49	53-170	21	811-151C	27	dwg 39898	7
213-425	45, 49	61010007	31	811-408C	25, 27, 29	dwg 39899	9
21316-000	35, 37	61010016	31	811-411C	25	dwg 39900	11
21372-003	35	61010092	31	811-742C	27	Dwg 39901	23
21372-004	37	61010123	31	811-743C	27	dwg 39902	21
219-082	45	61234-000	35, 37	814-186C	21	dwg 39903	27
219-096	49	61281-000	35, 37	816-068C	23	dwg 39904	29
23170-002	35, 37	6203-000	35, 37	816-319C	23	dwg 39905	39
23171-002	35, 37	6464-000	35, 37	817-395C	17	dwg 39908	13
23310-003	35, 37	800-001C	7, 9	817-418C	23	dwg 39912	31
23382-003	35, 37	800-053C	23	817-652C	13, 19	dwg 70048	17
251-031	45	800-060C	45, 47, 49	818-190C	39, 41	dwg 70049	15
259-001	45, 49	800-066C	23	818-254C	39, 41	dwg 70050	25
259-002	45, 49	800-080C	11, 13, 21	818-298C	39, 41	dwg 70051	19
30-437	21	800-118C	23	818-339C	39, 41	dwg 70053	41
30-438	21	800-136C	7	818-349C	39, 41	dwg18537	45
30-439S2	21	800-303C	45	818-798C	39	dwg37132	49
309-044	49	800-309C	11, 13, 17, 19	821-070C	43	dwg37134	47
310-022	45	802-014C	23	821-070CGL	43		
311-016	49	802-017C	27	821-070CQT	43		
314-209D	23	802-022C	11, 13, 17, 19	821-070CTU	43		
314-210S	21	802-024C	11, 13, 17, 19	822-082C	23		
314-211H	21	802-078C	23	822-182C	11, 13, 17, 19		
314-244H	13, 19	802-079C	23	82464	33		
314-258H	23	802-091C	23	83198	33		
314-274D	23	802-128C	23	8350-000	35, 37		
314-276D	23	802-160C	11, 13, 17, 19, 23	838-106C	39, 41		
314-293D	23	802-205C	7, 9	838-107C	39, 41		
314-315D	13, 19	802-254C	7	838-111C	39, 41		
314-321D	11, 13, 17, 19	802-272C	21	838-415C	39, 41		
315-733D	21	802-470C	23	838-614C	39, 41		
319-817	45, 49	802-573C	23	838-615C	39, 41		
319-895	45, 49	802-574C	23	841-104C	27		
320-046	45, 49	803-013C	11, 13, 17, 19	841-546C	27		
320-048	45, 49	803-014C	11, 13, 17, 19	8464-004	37		
321-002H	7	803-024C	23	8464-005	35		
321-003H	7	803-027C	21	850-110C	27		
321-011D	7	803-031C	7, 9	850-226C	23, 37		
321-011H	11, 17	803-147C	23	8500-000	35, 37		
321-012H	11	803-153C	23	8504-000	35, 37		
321-014H	11, 13, 17, 19	803-169C	23	851-826C	27, 29		
321-020H	23	803-263C	7, 15, 21	851-827C	27, 29		
321-032A	11	803-304C	11, 13, 17, 19	851-947C	25, 27, 29		
321-036S	7	804-006C	23	851-948C	25, 27, 29		
321-052H	11, 17	804-012C	11, 13, 17, 19, 27	8510-000	35, 37		
321-056H	13	804-013C	11, 13, 17, 19, 23, 27	858-235C	39, 41		
321-061H	13, 19	804-016C	23	858-398C	39, 41		
321-063D	7, 9	804-021C	11, 13, 17, 19	858-661C	39		
321-065D	23	804-023C	21, 23	858-662C	39		
321-067D	23	804-027C	7, 9	858-663C	41		
321-074D	11, 17	804-094C	23	858-664C	41		
321-074H	7	804-202C	21	86020157	31		
321-088H	11, 13, 17, 19	805-004C	33	86020218	31		
321-089H	11, 13, 17, 19	805-088C	29	86020607	31		
321-114H	9	805-090C	29	86020673	31		
321-115H	15	805-126C	11, 13, 17, 19	861-006C	25		
321-121A	27	805-143C	7	861-009C	25		
321-122A	29	805-341C	21	87410023	31		
321-123A	27	806-018C	15, 21	88400016	31		
321-124A	29	806-275C	15, 21	890-005C	7, 9, 11, 13		
321-130H	17	807-183C	23	890-011C	11, 13		
321-132H	19			890-177C	29		

This Page Intentionally Left Blank



KUBOTA TRACTOR CORPORATION

1000 Kubota Drive, Grapevine, TX 76051

Telephone: (817) 756-1171

Western Division: 1175 S. Guild Ave., Lodi, CA 95240
Telephone: (209) 334-9910

Central Division: 14855 FAA Blvd., Fort Worth, TX 76155
Telephone: (817) 571-0900

Northern Division: 6300 at One Kubota Way, Groveport, OH 43125
Telephone: (614) 835-1100

Southeast Division: 1025 Northbrook Parkway, Suwanee, GA 30024
Telephone: (770) 995-8855

www.kubota.com
