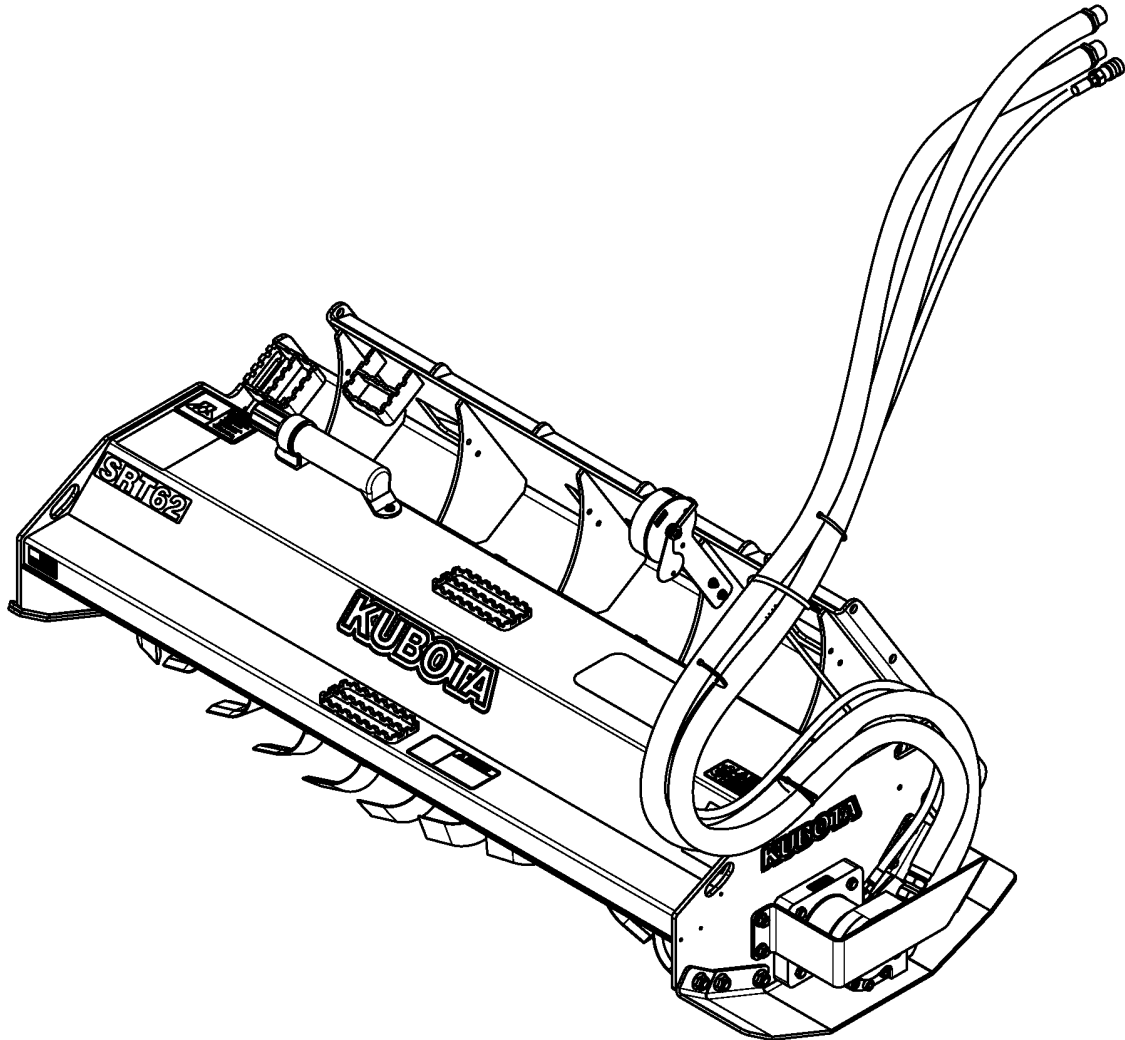


Rotary Tillers

AP-SRT62 & AP-SRT76



37723

321-095PK **Parts Manual**

Kubota®



Read the Operator's Manual entirely. When you see this symbol, the subsequent instructions and warnings are serious - follow without exception. Your life and the lives of others depend on it!

© Copyright 2019 Printed 04/22/19

Cover photo may show optional equipment not supplied with standard unit.



Table of Contents

Section 1: Introduction.....	4
Using This Manual.....	4
Manual Replacement Information.....	4
Manual Revisions.....	4
Touch-up Paint.....	4
Hardware Legend.....	5
Replacement Hardware.....	5
Serial Numbers.....	5
Part Number Service Coding.....	5
Section 2: Frame.....	6
Frame Components.....	6
Section 3: Drive & Rotor.....	8
Rotor Assembly.....	8
Rotor Drive 14 to 23 GPM.....	10
Rotor Drive 23 to 42 GPM.....	12
Section 4: Decals.....	14
Decal Placement.....	14
Kubota Touch-up Paints.....	16
Section 5: Options & Accessories.....	18
Flat Faced Couplers Large.....	18
Flat Faced Couplers Small.....	20
Shanks with Clips.....	22
Part Number Index.....	24

© Copyright 2019. All rights reserved.

Kubota provides this publication “as is” without warranty of any kind, either expressed or implied. While every precaution has been taken in the preparation of this manual, Kubota assumes no responsibility for errors or omissions. Neither is any liability assumed for damages resulting from the use of the information contained herein. Kubota reserves the right to revise and improve its products as it sees fit. This publication describes the state of this product at the time of its publication, and may not reflect the product in the future. The illustrations in this manual are not intended for safe and proper assembly or disassembly of equipment. The illustrations are intended for ordering parts only.

Kubota is registered trademark.

All other brands and product names are trademarks or registered trademarks of their respective holders.

Printed in the United States of America.



Alphabetized Table of Contents

D	
Decal Placement.....	14
F	
Flat Faced Couplers Large.....	18
Flat Faced Couplers Small.....	20
Frame Components.....	6
K	
Kubota Touch-up Paints.....	16
R	
Rotor Assembly.....	8
Rotor Drive 14 to 23 GPM.....	10
Rotor Drive 23 to 42 GPM.....	12
S	
Shanks with Clips.....	22

General Information

Using This Manual

This manual is divided into sections. The first section contains General Information. The remaining sections divide the machine into segments (i.e. Frames, Drives, Hydraulics, etc.) which illustrate and list all parts. A Parts Number Index is located at the back of the book.

The Kubota parts in this manual are specially designed for this machine and should be replaced with Kubota parts only.

The information in this manual is current at time of printing. Some parts may change to assure top performance.

Right-hand and left-hand as used in this manual are determined by facing the direction the machine will travel while in use.

Below is an example of two facing pages from a parts manual. Familiarize yourself with the type of information contained on these pages.

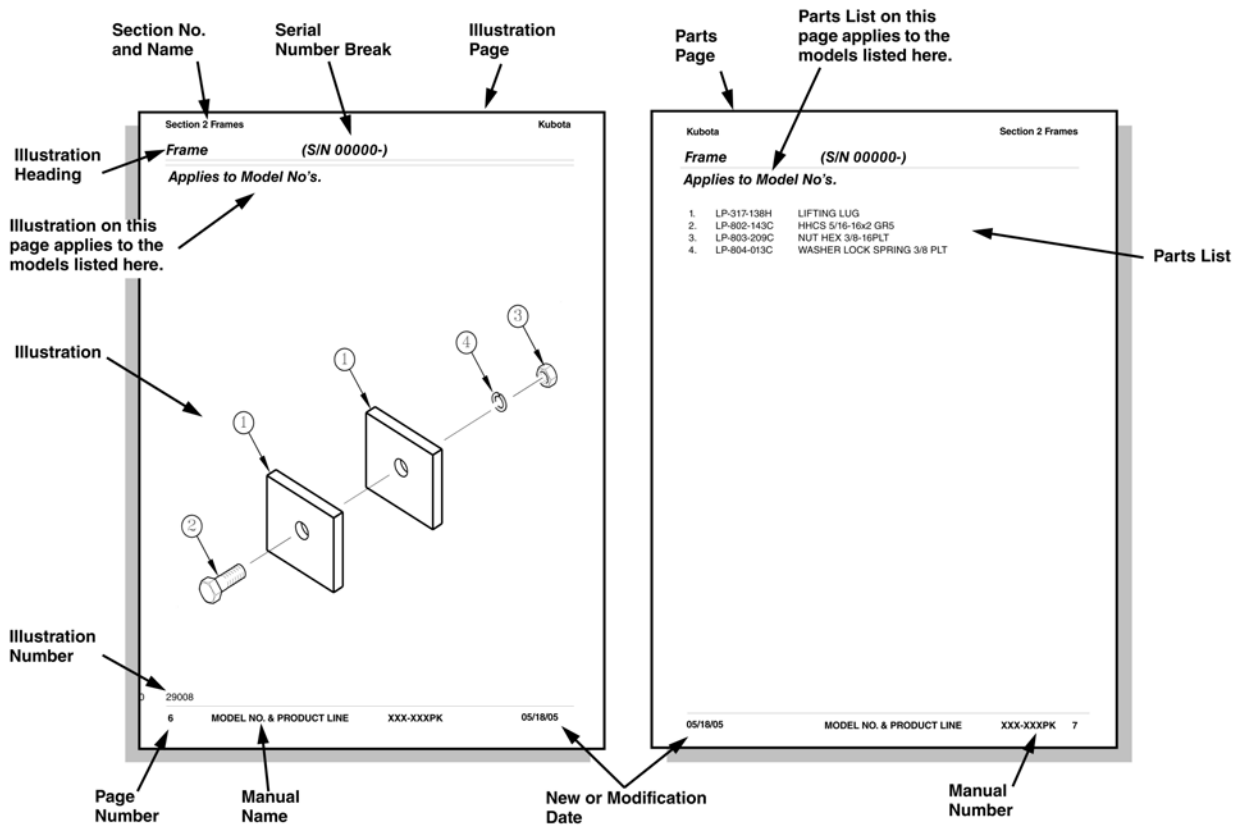
Manual Replacement Information

Replacement manuals are available. Refer to our website at www.landpride.com for additional information. Our website continues to provide the most up-to-date manuals available.

Touch-up Paint

Repaint parts where paint is worn or scratched to prevent rust. Aerosol cans and touch-up bottles with brush applicator are available through your local dealer. Also available are quart and gallon size paints. Add QT or GL to end of the Aerosol P/N.

Kubota color descriptions and part numbers are listed on the "Kubota Touch-up Paints" page in the "Decals" section of this book.



General Information

Hardware Legend

AR	As Required
BLADE	Blade Bolt
C	Cap Screw
CP	Cotter Pin
CPHSSS	Cup Point Hex Socket Set Screw
CPSHSS	Cup Point Square Head Set Screw
CPSQHSS	Cup Point Square Head Set Screw
CRFCHMS3	Cross Recess Flat Countersunk Head Machine Screw
CRPHMS	Cross Recess Pan Head Machine Screw
CRPHTFS	Cross Recess Pan Head Thread Forming
CRRHMS	Cross Recess Round Head Machine Screw
CRTHMS	Cross Recess Truss Head Machine Screw
CSNB	Countersunk Square Neck Bolt
FHMS	Flat Head Machine Screw
FTC	Full Thread Cap Screw
H	Hex Nut
HCLN	Hex Center Lock Nut
HFLCS	Hex Flange Lock Cap Screw
HFS	Hex Flange Screw
HFSLN	Hex Flange Serrated Lock Nut
HFSS	Hex Flange Serrated Screw
HHCS	Hex Head Cap Screw or Metric Bolt
HSBHCS	Hex Socket Button Head Cap Screw
HSFCHCS	Hex Socket Flat Countersunk Head Cap Screw
HSHCS	Hex Socket Head Cap Screw
HSSS	Hex Socket Head Screw
HTLN	Hex Top Lock Nut
HWHCS	Hex Washer Head Cap Screw

HWHMS	Hex Washer Head Machine Screw
HXBHCS	Hex Socket Button Head Cap Screw
J	Hex Jam Nut
JIC	37 Degree Tapered Thread
L	Helical Spring Lock Washer
LUG	Lug Bolt
NFC	National Fine Cap Screw
NPSM	National Pipe Straight Mechanical
NPTF	National Pipe Taper Fuel
P	Wide Plain Washer
PHMS	Pan Head Machine Screw
PLOW	Plow Bolt
RHMS	Round Head Machine Screw
RHSNB	Round Head Square Neck Bolt
SCREW LEVELING	Leveling Screw
SCREW THUMB	Thumb Screw
SCREW WELD	Weld Screw
SFCHMS	Slotted Flat Countersunk Head Machine Screw
SFHMS	Slotted Fillister Head Machine Screw
SP	Special
SP SCREW	Special Screw
SQHSS	Square Head Set Screw
SRHMS	Slotted Round Head Machine Screw
SSS	Socket Set Screw
STCS	Self Tapping Cap Screw
STHMS	Slotted Truss Head Machine Screw
WHEEL	Wheel Studs and Hub Long Bolts
WING	Wing Bolt

Replacement Hardware

The **Hardware Legend** above lists hardware abbreviations used in the parts list. All bolts and nuts are Grade 5 unless otherwise noted. The use of improper grades of hardware can result in personal injury, damage to equipment, or loss of property.

Part Number Service Coding

Within the parts list some part numbers are coded for revisions and interchangeability. See notations in revision column.

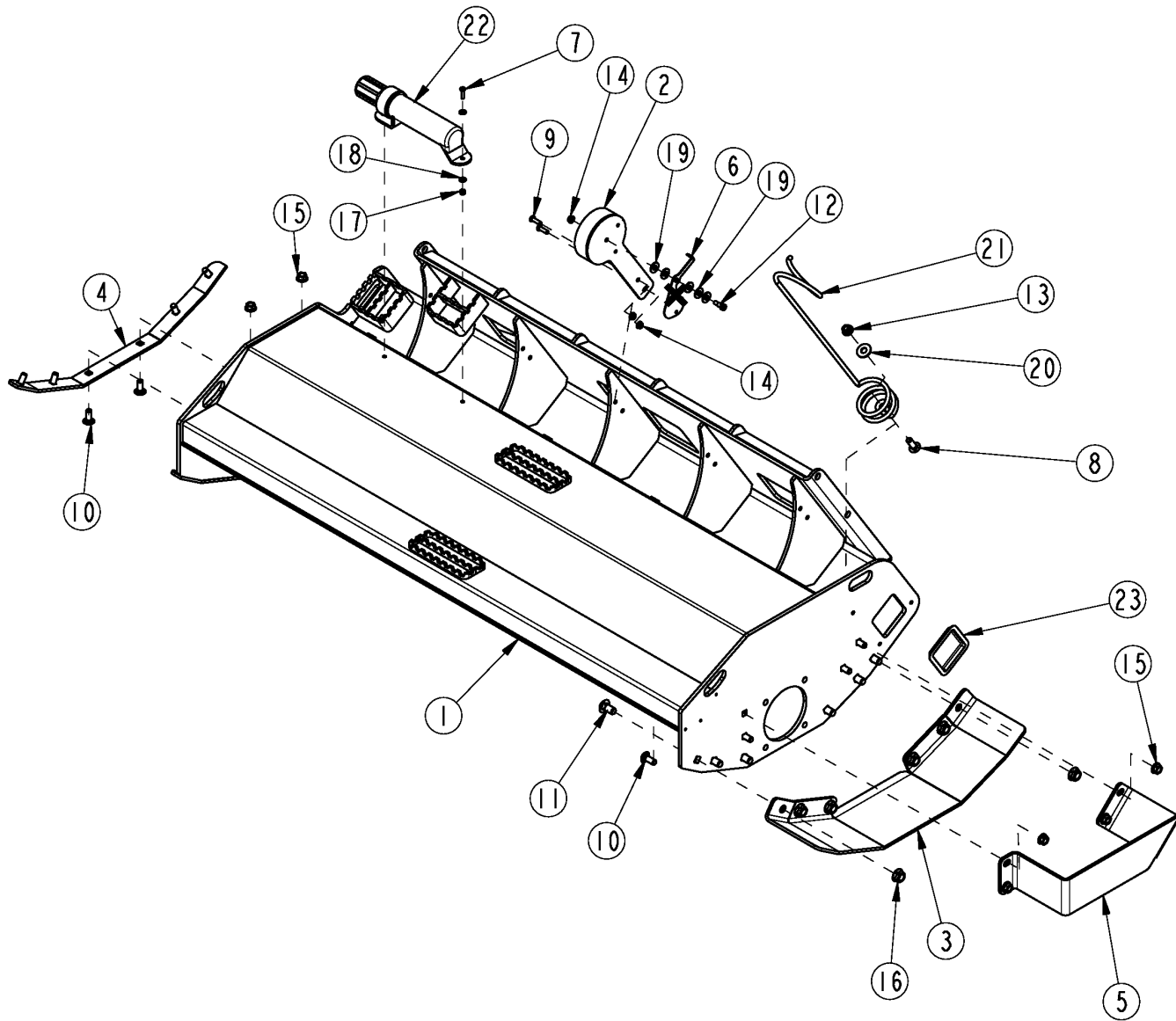
Serial Numbers

Always use the serial and model number when ordering parts. Refer to the Operator's Manual for serial number plate location.

- (S/N 20001+) Includes serial numbers 20001 and above (to the latest number)
- (S/N 10001 to 20000) Includes serial numbers between and including 10001 and 20000
- (S/N 10000-) Includes serial numbers 10000 and below (to the earliest number)

Frame Components

Applies to AP-SRT62, AP-SRT76



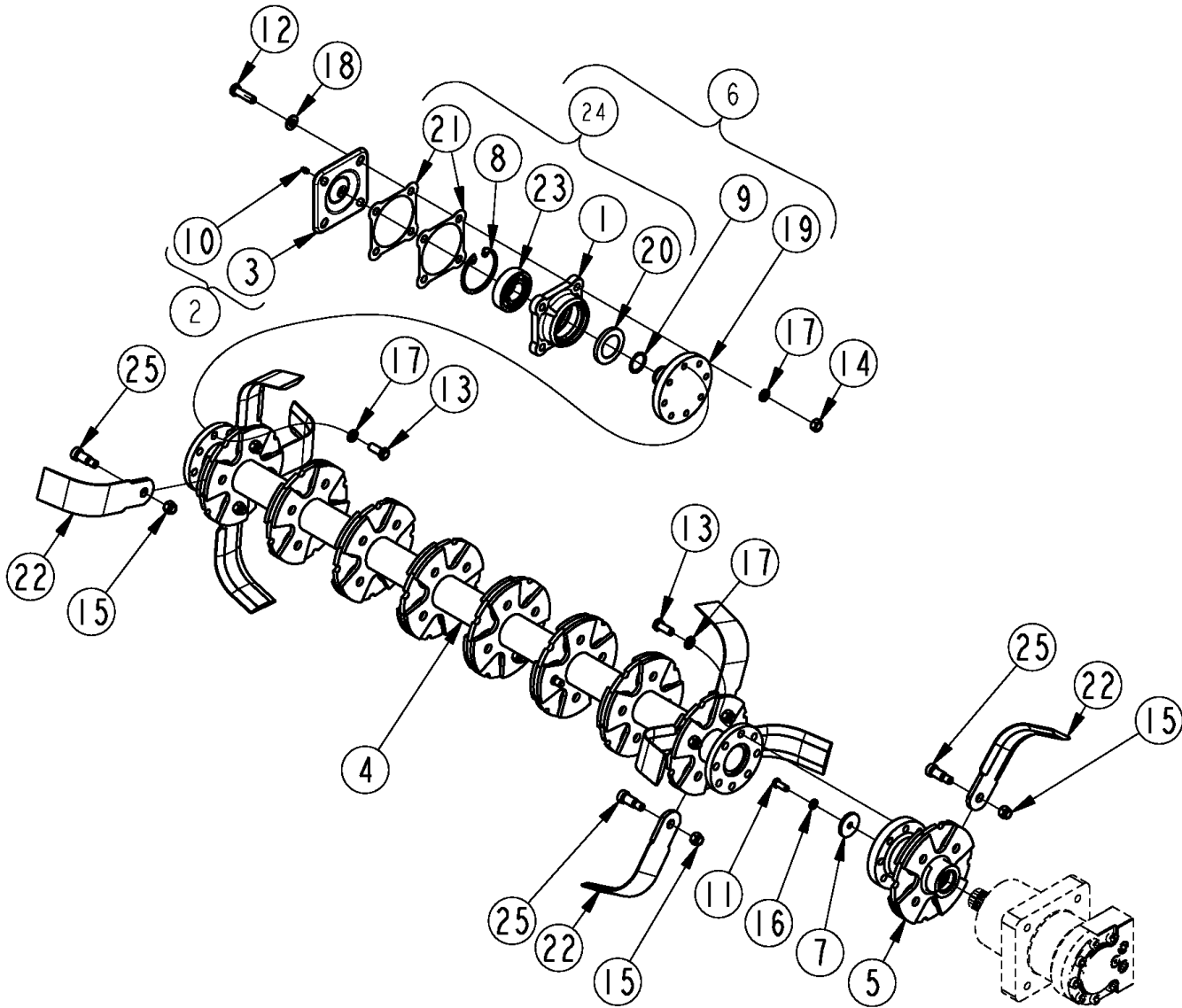
37046

Frame Components**Applies to AP-SRT62, AP-SRT76**

Ref	Part No.	Part Description	Comments	Revision
	Dwg 37046	Drawing Image Number		
1.	321-082H	FRAME WLDMT 62	AP-SRT62	
1.	321-083H	FRAME WLDMT 76	AP-SRT76	
2.	321-098H	DEPTH INDICATOR SUPPORT WLDMT		
3.	321-117D	MOTOR PROTECT SKID		
4.	321-122D	SKID SHOE NON DRIVE		
5.	321-133D	MOTOR PROTECTOR		
6.	321-134D	WEIGHTED INDICATOR		
7.	802-005C	HHCS 1/4-20X1 GR5		
8.	802-106C	RHSNB 1/2-13X1 1/2 GR5		
9.	802-159C	HHCS 5/16-18X1 GR5		
10.	802-214C	RHSNB 1/2-13X1 1/4 GR5		
11.	802-306C	RHSNB 5/8-11X1 1/4 GR5		
12.	802-794C	SHOULDER BOLT 3/8X1/2X5/16-18		
13.	803-037C	NUT HEX WHIZ 1/2-13 PLT		
14.	803-043C	NUT HEX WHIZ 5/16-18 PLT		
15.	803-193C	NUT HEX FLANGE 1/2-13 GR G PLT		
16.	803-196C	NUT HEX FLANGE 5/8-11 PLT		
17.	803-255C	NUT HEX NYLOCK 1/4-20		
18.	804-007C	WASHER FLAT 1/4 SAE PLT		
19.	804-011C	WASHER FLAT 3/8 USS PLT		
20.	804-017C	WASHER FLAT 1/2 USS PLT		
21.	807-073C	SPRING HOSE LOOP HEAVY		
22.	816-504C	MANUAL STORAGE CONTAINER		
23.	817-821C	4 X 4 X 5/16 END CAP	Silicone in Place	

Rotor Assembly

Applies to AP-SRT62, AP-SRT76



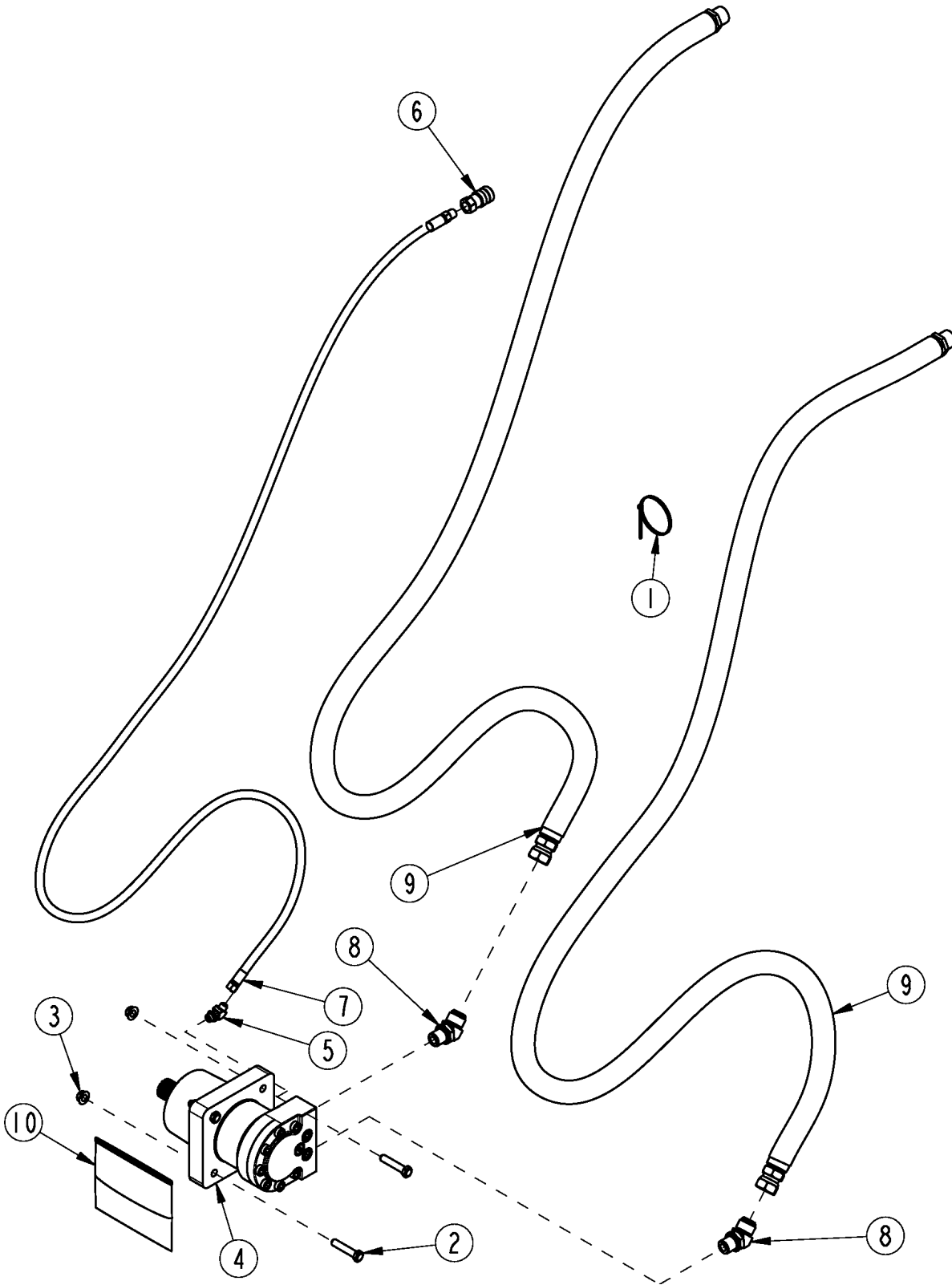
37047

Rotor Assembly**Applies to AP-SRT62, AP-SRT76**

Ref	Part No.	Part Description	Comments	Revision
	Dwg 37047	Drawing Image Number		
1.	N/A	RPBY 822-255C		
2.	311-135S	CVR NON-DRV LWR W/ZRK RTA/R		
3.	311-205D	COVER NON-DRV LWR		
4.	321-078H	ROTOR WLDMNT 62	AP-SRT62	
4.	321-081H	ROTOR WLDMNT 76	AP-SRT76	
5.	321-086H	ADAPTER MNT 1.25 ID		
6.	321-090K	HSG NON-DRV W/STUB ASY		
7.	321-128D	WASHER FLAT 1.84DX.41IDX.19THK		
8.	800-053C	SNAP RING INT3.523OD N5000-315		
9.	800-079C	SNAP RING EXT 1 3/8 5100-137		
10.	800-080C	GREASE ZERK 1/4-28 THD FORMING		
11.	802-017C	HHCS 3/8-16X1 GR5		
12.	802-082C	HHCS 1/2-13X1 3/4 GR5		
13.	802-580C	HHCS 1/2-13X1 1/4 GR8		
14.	803-020C	NUT HEX 1/2-13 PLT		
15.	803-147C	NUT HEX NYLOCK 1/2-13		
16.	804-013C	WASHER LOCK SPRING 3/8 PLT		
17.	804-015C	WASHER LOCK SPRING 1/2 PLT		
18.	804-094C	WASHER FLAT 1/2 HARD ASTM F436		
19.	815-471C	NON-DRIVE STUB SHFT 8 BLT		
20.	816-068C	SEAL 1.75 X 2.75 X .313		
21.	816-070C	GASKET HSG 10/15 TILLER		
22.	820-537C	TINE, BI-DIRECTIONAL TILLER	Qty 36 AP-SRT62, Qty 44 AP-SRT76	
23.	822-082C	BRG BALL 1.37IDX3.14ODX.82 307		
24.	822-255C	HSG, 1.37ID X 4 BOLT, 1.75 SEAL		
25.	842-233C	SHLDR BLT 5/8DX1L 1/2-13		

Rotor Drive 14 to 23 GPM

Applies to AP-SRT62



37049

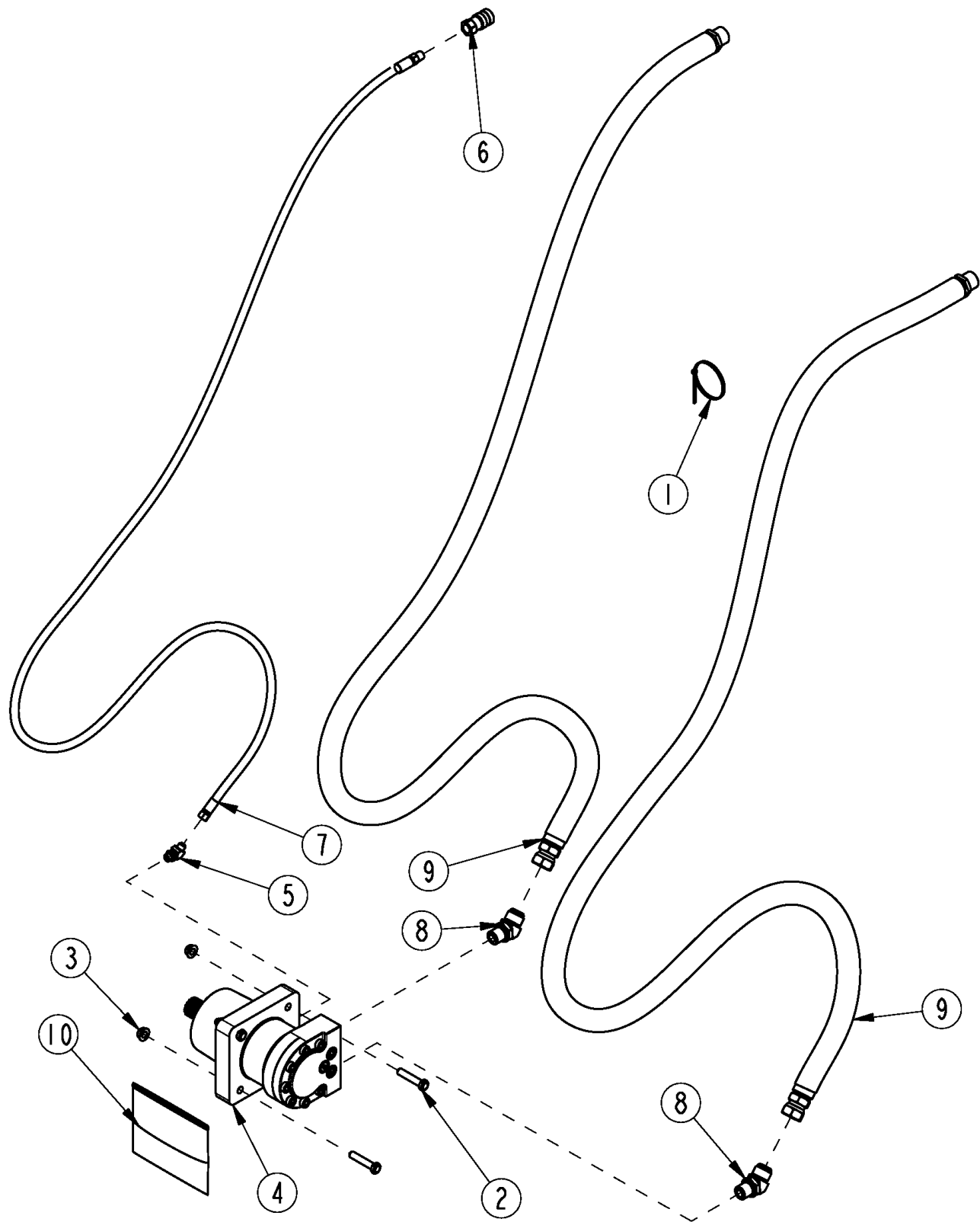
Rotor Drive 14 to 23 GPM

Applies to AP-SRT62

Ref	Part No.	Part Description	Comments	Revision
	Dwg 37049	Drawing Image Number		
1.	800-060C	CABLE TIE .19X14.25 3DIA 50LB		
2.	802-130C	HHCS 1/2-13X2 1/2 GR5		
3.	803-169C	NUT HEX FLG LOCK 1/2-13 PLT		
4.	810-946C	HYD MOTOR, 19.8 CU IN BI-DIR		
5.	811-416C	EL 45 9/16MJIC 9/16MORB		
6.	841-539C	CP 3/8 FEMALE QD 3/8FNPT		
7.	841-652C	HH3/8R2 83.5 3/8MNPT9/16FJIC		
8.	851-069C	EL 45 1 1/16MORB 1 5/16MJIC		
9.	851-353C	HH3/4R12 86 1.31MORB 1.31FORB		
10.	9900014-000	SEAL KIT EATON 826-946C/7C, 850-189C		

Rotor Drive 23 to 42 GPM

Applies to AP-SRT62, AP-SRT76



37050

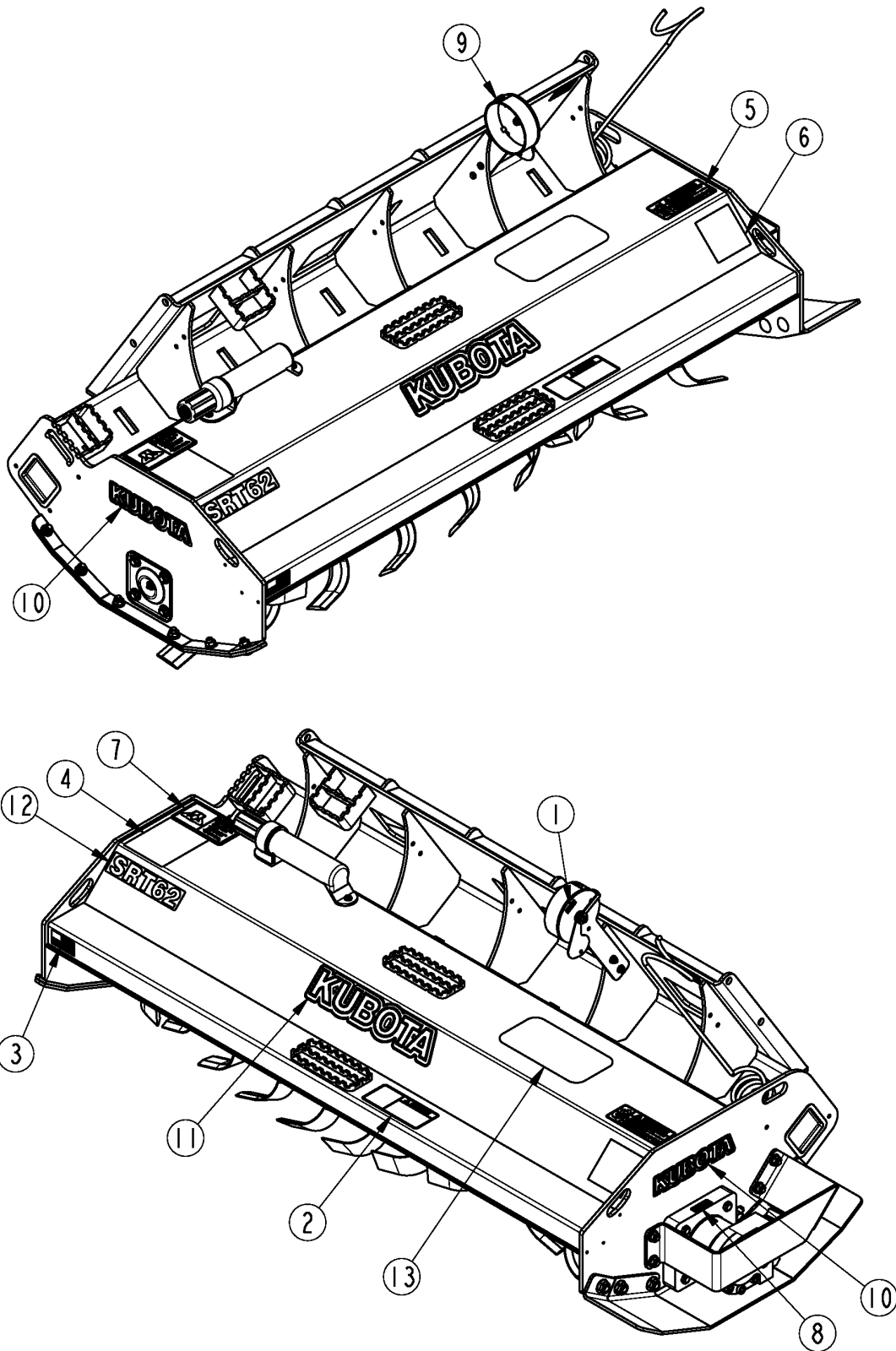
Rotor Drive 23 to 42 GPM

Applies to AP-SRT62, AP-SRT76

Ref	Part No.	Part Description	Comments	Revision
	Dwg 37050	Drawing Image Number		
1.	800-060C	CABLE TIE .19X14.25 3DIA 50LB		
2.	802-130C	HHCS 1/2-13X2 1/2 GR5		
3.	803-169C	NUT HEX FLG LOCK 1/2-13 PLT		
4.	810-947C	HYD MOTOR, 34.9 CU IN BI-DIR		
5.	811-416C	EL 45 9/16MJIC 9/16MORB		
6.	841-539C	CP 3/8 FEMALE QD 3/8FNPT		
7.	841-652C	HH3/8R2 83.5 3/8MNPT9/16FJIC		
8.	851-069C	EL 45 1 1/16MORB 1 5/16MJIC		
9.	851-247C	HH1R12 86 1.31MORB 1.31FORB		
10.	9900014-000	SEAL KIT EATON 826-946C/7C, 850-189C		

Decal Placement

Applies to AP-SRT62, AP-SRT76



37724

Decal Placement**Applies to AP-SRT62, AP-SRT76**

Ref	Part No.	Part Description	Comments	Revision
	Dwg 37724	Drawing Image Number		
1.	844-123C	DECAL PATENT LEVEL INDICATOR	S/N 1068810K+	
1.	818-042C	DECAL PATENT PENDING	S/N 1068809K-	
2.	858-772C	DECAL DANGER ROTATING PARTS	S/N 1003351K+	
2.	818-171C	RPBY 858-772C	S/N 1003350K- (Obsolete)	
3.	818-190C	DECAL FLAG		
4.	818-858C	DECAL WARNING GENERAL SAFTEY		
5.	838-094C	DECAL WARNING HYD PRESS LONG		
6.	838-107C	DECAL DANGER THROWN OBJECT		
7.	838-293C	DECAL WARNING READ MANUAL		
8.	858-183C	DECAL 14-23 GPM		
8.	858-184C	DECAL 23-42 GPM		
9.	858-213C	DECAL DEPTH GAUGE		
10.	858-398C	DECAL KUBOTA 10"		
11.	858-399C	DECAL KUBOTA 15"		
12.	858-486C	DECAL SRT62 WHITE	AP-SRT62	
12.	858-487C	DECAL SRT76 WHITE	AP-SRT76	
13.	840-107C	3M CONFORM. ANTI-SLIP 10 X 5.0		

Kubota Touch-up Paints

Applies to AP-SRT62, AP-SRT76

No diagram associated with this Parts List

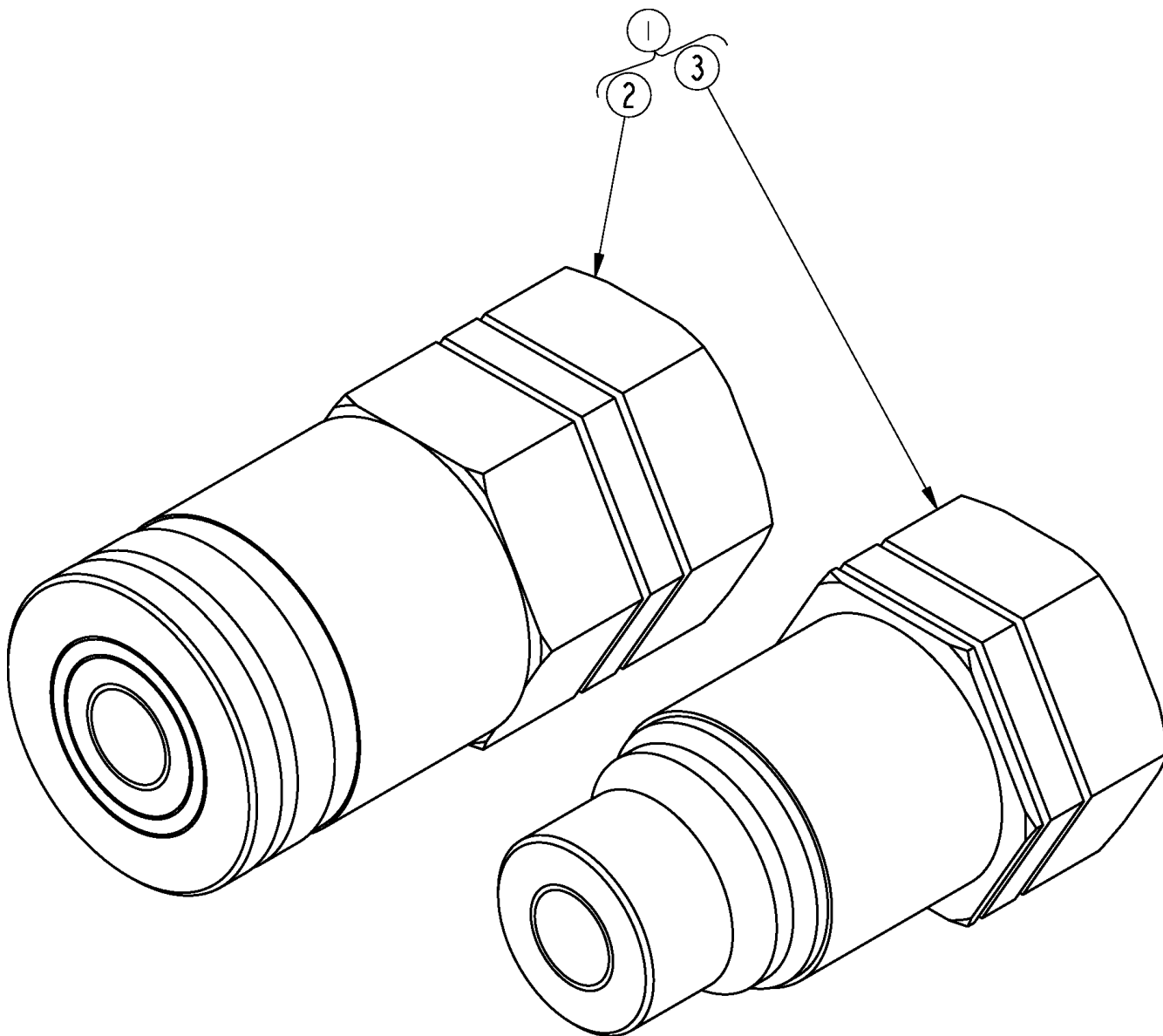
Kubota Touch-up Paints

Applies to AP-SRT62, AP-SRT76

Ref	Part No.	Part Description	Comments	Revision
1.	821-070C	GLOSS BLACK SPRAY CAN	All Products	
2.	821-070CTU	GLOSS BLACK TOUCH-UP 5OZ		
3.	821-070CQT	GLOSS BLACK QUART		
4.	821-070CGL	GLOSS BLACK GALLON		

Flat Faced Couplers Large

Applies to AP-SRT62, AP-SRT76



35576

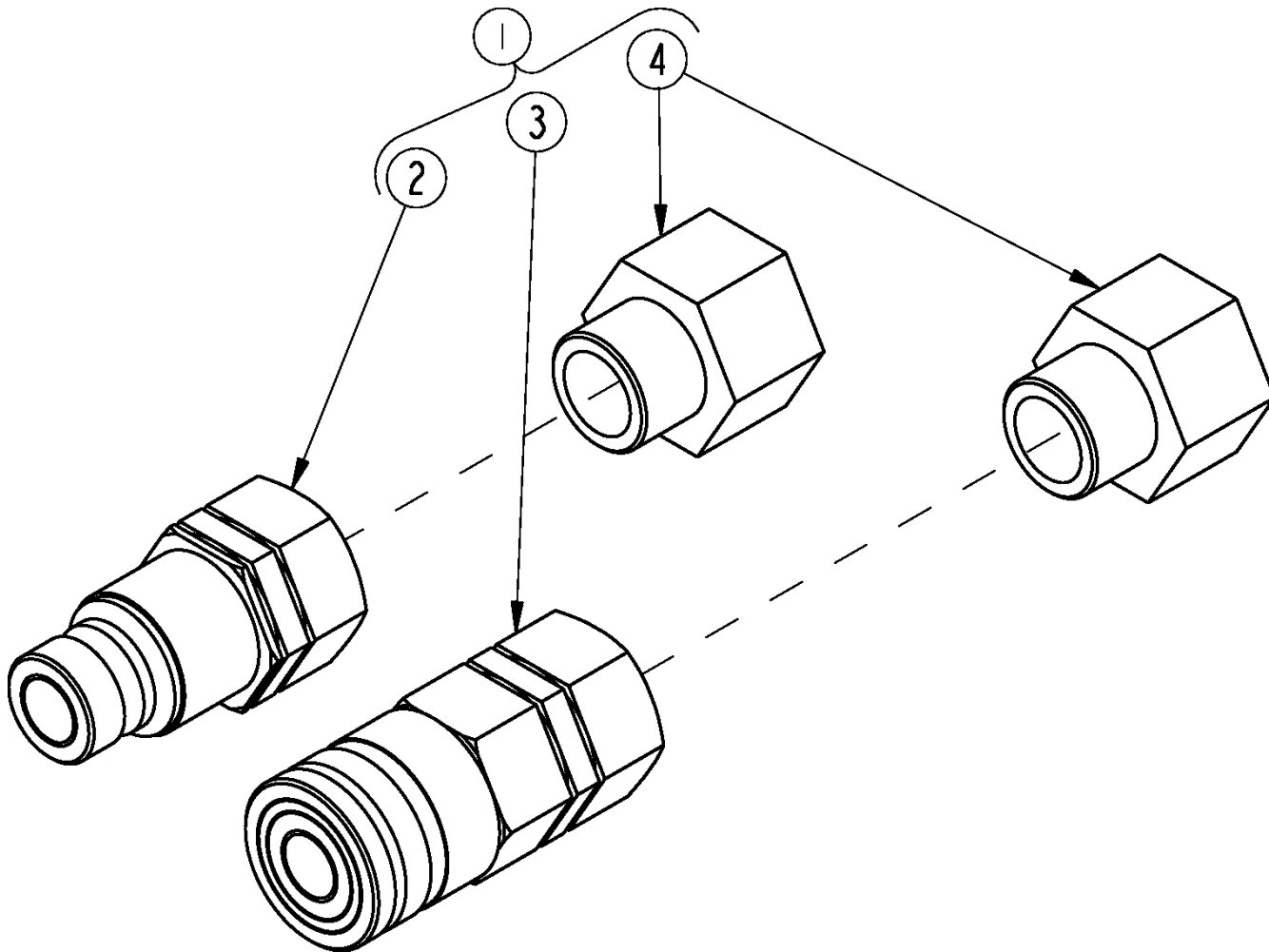
Flat Faced Couplers Large

Applies to AP-SRT62, AP-SRT76

Ref	Part No.	Part Description	Comments	Revision
	Dwg 35576	Drawing Image Number		
1.	316-289A	LARGE FLAT FACED COUPLERS		
2.	841-957C	CP 1 5/16FORB FEMALE QD		
3.	841-958C	CP 1 5/16FORB MALE QD		

Flat Faced Couplers Small

Applies to AP-SRT62, AP-SRT76



35575

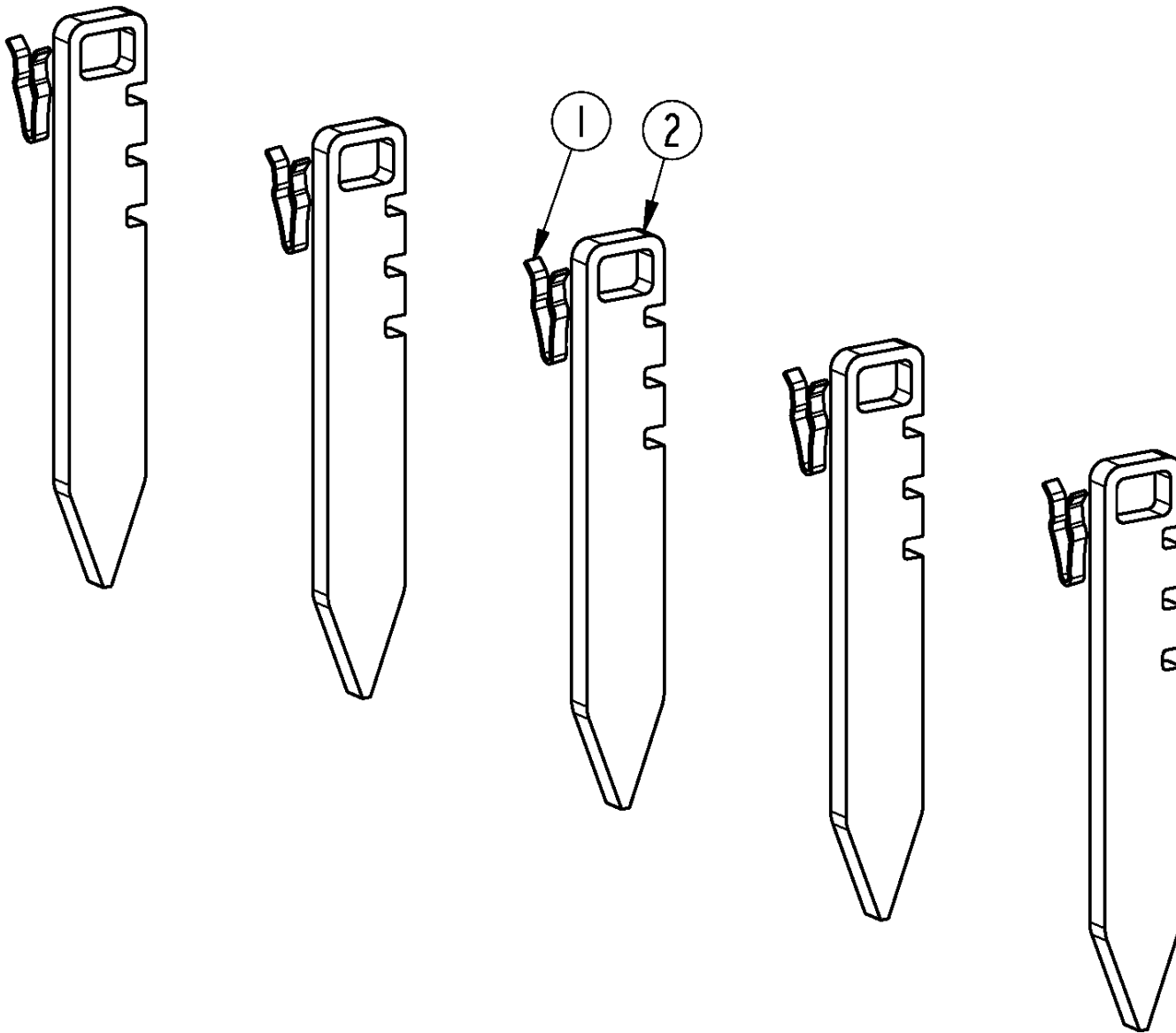
Flat Faced Couplers Small

Applies to AP-SRT62, AP-SRT76

Ref	Part No.	Part Description	Comments	Revision
	Dwg 35575	Drawing Image Number		
1.	316-290A	SMALL FLAT FACED COUPLERS		
2.	851-947C	CUP 1 1/16FORB MALE QUICK CPLR		
2.	811-744C	RPBY 851-947C	Obsolete	
3.	851-948C	CUP 1 1/16FORB FML QUICK CPLR		
3.	811-745C	RPBY 851-948C	Obsolete	
4.	851-102C	AD 1 5/16FORB 1 1/16MORB		

Shanks with Clips

Applies to AP-SRT62, AP-SRT76



37052

Shanks with Clips

Applies to AP-SRT62, AP-SRT76

Ref	Part No.	Part Description	Comments	Revision
	Dwg 37052	Drawing Image Number		
	321-093A	SHANKS W/CLIPS 62" BNDL (5 ea.)		
	321-094A	SHANKS W/CLIPS 76" BNDL (6 ea.)		
		*		
1.	305-111D	CLIP SHANK RETAINER		
2.	820-557C	STRAIGHT SHANK		



Part Number Index

The Part Number Index is a numeric index of all part numbers included in this manual. The index shows what page(s) the part is used on.

Part Number	Page	Part Number	Page
305-111D	23	838-094C	15
311-135S	9	838-107C	15
311-205D	9	838-293C	15
316-289A	19	840-107C	15
316-290A	21	841-539C	11, 13
321-078H	9	841-652C	11, 13
321-081H	9	841-957C	19
321-082H	7	841-958C	19
321-083H	7	842-233C	9
321-086H	9	844-123C	15
321-090K	9	851-069C	11, 13
321-093A	23	851-102C	21
321-094A	23	851-247C	13
321-098H	7	851-353C	11
321-117D	7	851-947C	21
321-122D	7	851-948C	21
321-128D	9	858-183C	15
321-133D	7	858-184C	15
321-134D	7	858-213C	15
800-053C	9	858-398C	15
800-060C	11, 13	858-399C	15
800-079C	9	858-486C	15
800-080C	9	858-487C	15
802-005C	7	858-772C	15
802-017C	9	9900014-000	11, 13
802-082C	9	Dwg 35575	21
802-106C	7	Dwg 35576	19
802-130C	11, 13	Dwg 37046	7
802-159C	7	Dwg 37047	9
802-214C	7	Dwg 37049	11
802-306C	7	Dwg 37050	13
802-580C	9	Dwg 37052	23
802-794C	7	Dwg 37724	15
803-020C	9	N/A	9
803-037C	7		
803-043C	7		
803-147C	9		
803-169C	11, 13		
803-193C	7		
803-196C	7		
803-255C	7		
804-007C	7		
804-011C	7		
804-013C	9		
804-015C	9		
804-017C	7		
804-094C	9		
807-073C	7		
810-946C	11		
810-947C	13		
811-416C	11, 13		
811-744C	21		
811-745C	21		
815-471C	9		
816-068C	9		
816-070C	9		
816-504C	7		
817-821C	7		
818-042C	15		
818-171C	15		
818-190C	15		
818-858C	15		
820-537C	9		
820-557C	23		
821-070C	17		
821-070CGL	17		
821-070CQT	17		
821-070CTU	17		
822-082C	9		
822-255C	9		

This Page Intentionally Left Blank



KUBOTA TRACTOR CORPORATION

1000 Kubota Drive, Grapevine, TX 76051

Telephone: (817) 756-1171

Western Division: 1175 S. Guild Ave., Lodi, CA 95240
Telephone: (209) 334-9910

Central Division: 14855 FAA Blvd., Fort Worth, TX 76155
Telephone: (817) 571-0900

Northern Division: 6300 at One Kubota Way, Groveport, OH 43125
Telephone: (614) 835-1100

Southeast Division: 1025 Northbrook Parkway, Suwanee, GA 30024
Telephone: (770) 995-8855

www.kubota.com
