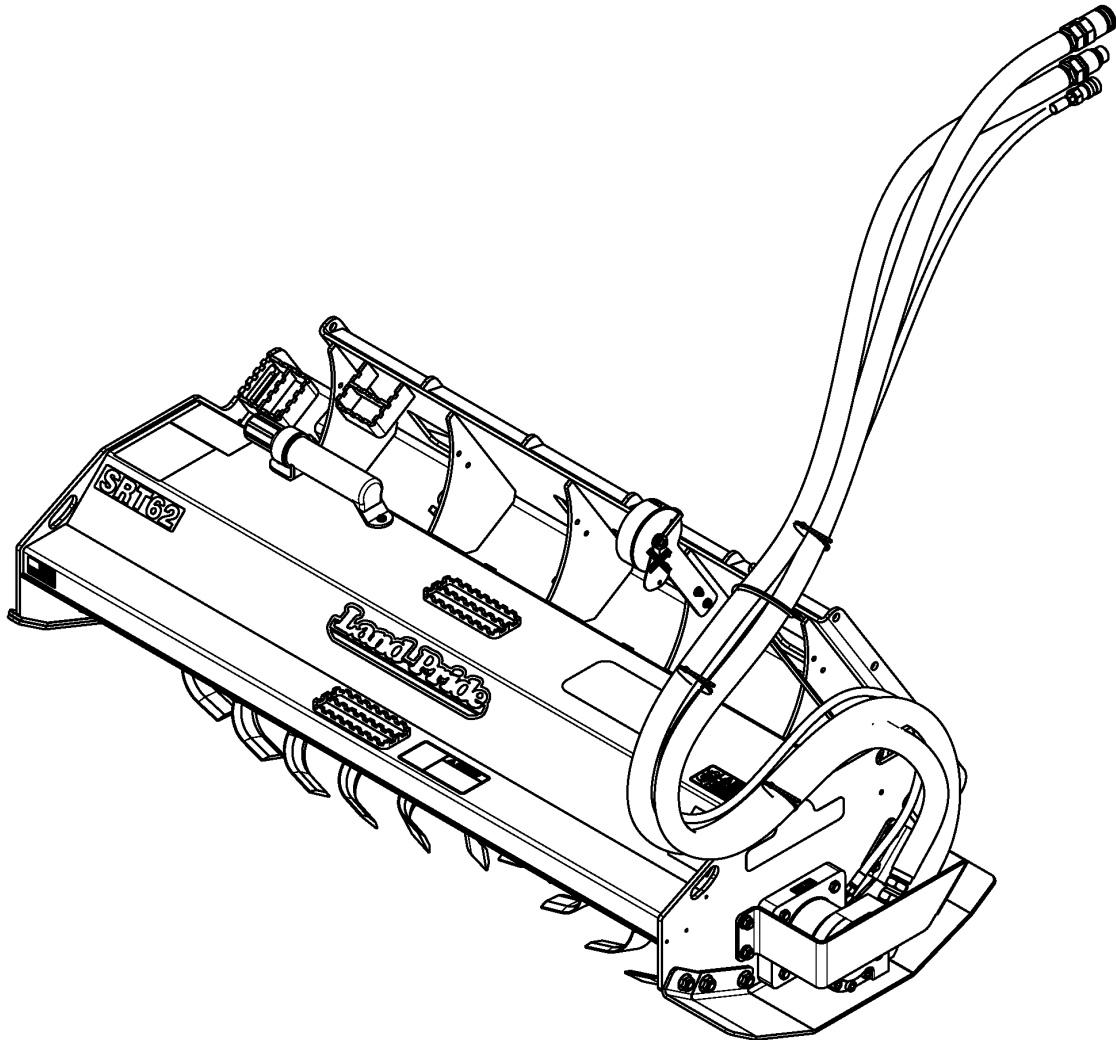


Rotary Tillers

SRT62 & SRT76



37045

321-095P **Parts Manual**



Read the Operator's manual entirely. When you see this symbol, the subsequent instructions and warnings are serious - follow without exception. Your life and the lives of others depend on it!

© Copyright 2014 Printed 08/06/14

Cover photo may show optional equipment not supplied with standard unit.





Table of Contents

Section 1: Introduction.....	4
Using This Manual.....	4
Manual Replacement Information.....	4
Manual Revisions.....	4
Touch-up Paint.....	4
Hardware Legend.....	5
Replacement Hardware.....	5
Serial Numbers.....	5
Part Number Service Coding.....	5
Section 2: Frame.....	6
Frame Components.....	6
Section 3: Drive & Rotor.....	8
Rotor Assembly.....	8
Rotor Drive 14 to 23 GPM.....	10
Rotor Drive 23 to 42 GPM.....	12
Section 4: Labels.....	14
Label Placement.....	14
Section 5: Options & Accessories.....	16
Flat Faced Couplers Large.....	16
Flat Faced Couplers Small.....	18
Shanks with Clips.....	20
Part Number Index.....	22

© Copyright 2014. All rights reserved.

Land Pride provides this publication “as is” without warranty of any kind, either expressed or implied. While every precaution has been taken in the preparation of this manual, Land Pride assumes no responsibility for errors or omissions. Neither is any liability assumed for damages resulting from the use of the information contained herein. Land Pride reserves the right to revise and improve its products as it sees fit. This publication describes the state of this product at the time of its publication, and may not reflect the product in the future. The illustrations in this manual are not intended for safe and proper assembly or disassembly of equipment. The illustrations are intended for ordering parts only.

Land Pride is registered trademark.

All other brands and product names are trademarks or registered trademarks of their respective holders.

Printed in the United States of America.



Alphabetized Table of Contents

F

Flat Faced Couplers Large.....	16
Flat Faced Couplers Small.....	18
Frame Components.....	6

L

Label Placement.....	14
----------------------	----

R

Rotor Assembly.....	8
Rotor Drive 14 to 23 GPM.....	10
Rotor Drive 23 to 42 GPM.....	12

S

Shanks with Clips.....	20
------------------------	----

General Information

Using This Manual

This manual is divided into sections. The first section contains General Information. The remaining sections divide the machine into segments (i.e. Frames, Drives, Hydraulics, etc.) which illustrate and list all parts. A Parts Number Index is located at the back of the book.

The Land Pride parts in this manual are specially designed for this machine and should be replaced with Land Pride parts only.

The information in this manual is current at time of printing. Some parts may change to assure top performance.

Right-hand and left-hand as used in this manual are determined by facing the direction the machine will travel while in use.

Below is an example of two facing pages from a parts manual. Familiarize yourself with the type of information contained on these pages.

Manual Replacement Information

Replacement manuals are available. Refer to our website at www.landpride.com or e-mail us at lit@landpride.com for additional information. Our website continues to provide the most up-to-date manuals available.

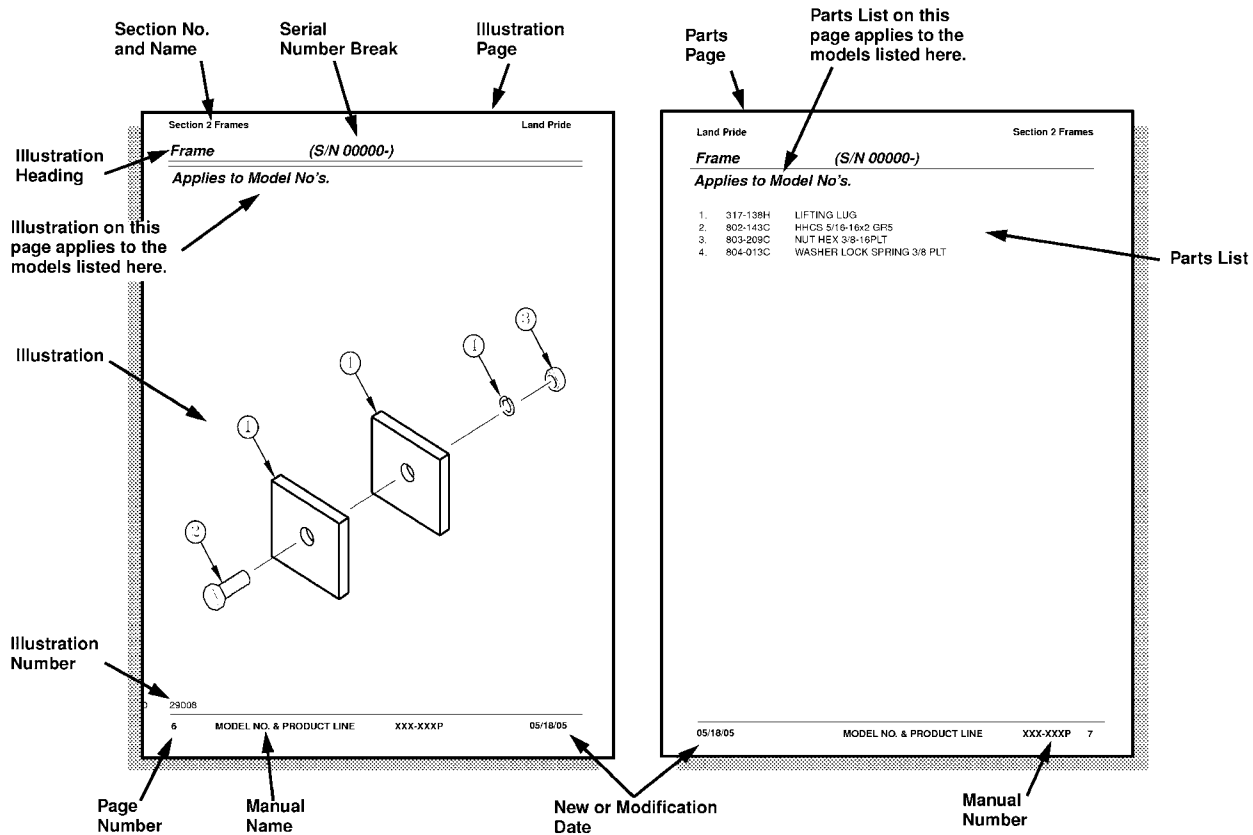
Touch-up Paint

Repaint parts where paint is worn or scratched to prevent rust. Aerosol cans and touch-up bottles with brush applicator are available through your local dealer. Land Pride color descriptions and part numbers are listed below. Also available are quart and gallon size paints. Add QT or GL to end of the Aerosol P/N.

Color	Product*	Aerosol	Touch-Up
Gloss Black	LP	821-032C	821-032CTU
Beige	LP	821-011C	821-011CTU
Green	SLP	821-058C	821-058CTU
Orange	SLP	821-066C	821-066CTU
Red	SLP	821-054C	821-054CTU
Blue	SLP	821-067C	821-067CTU

Notes:

- * LP = All Land Pride Products
- SLP = Select Land Pride Products that are available in optional Green, Orange and Red.



General Information

Hardware Legend

AR	As Required
BLADE	Blade Bolt
C	Cap Screw
CP	Cotter Pin
CPHSSS	Cup Point Hex Socket Set Screw
CPSHSS	Cup Point Square Head Set Screw
CPSQHSS	Cup Point Square Head Set Screw
CRFCHMS3	Cross Recess Flat Countersunk Head Machine Screw
CRPHMS	Cross Recess Pan Head Machine Screw
CRPHTF	Cross Recess Pan Head Thread Forming
CRRHMS	Cross Recess Round Head Machine Screw
CRTHMS	Cross Recess Truss Head Machine Screw
CSNB	Countersunk Square Neck Bolt
FHMS	Flat Head Machine Screw
FTC	Full Thread Cap Screw
H	Hex Nut
HCLN	Hex Center Lock Nut
HFLCS	Hex Flange Lock Cap Screw
HFS	Hex Flange Screw
HFSLN	Hex Flange Serrated Lock Nut
HFSS	Hex Flange Serrated Screw
HHCS	Hex Head Cap Screw or Metric Bolt
HSBHCS	Hex Socket Button Head Cap Screw
HSFCHCS	Hex Socket Flat Countersunk Head Cap Screw
HSHCS	Hex Socket Head Cap Screw
HSSS	Hex Socket Head Screw
HTLN	Hex Top Lock Nut
HWHCS	Hex Washer Head Cap Screw

HWHMS	Hex Washer Head Machine Screw
HXBHCS	Hex Socket Button Head Cap Screw
J	Hex Jam Nut
JIC	37 Degree Tapered Thread
L	Helical Spring Lock Washer
LUG	Lug Bolt
NFC	National Fine Cap Screw
NPSM	National Pipe Straight Mechanical
NPTF	National Pipe Taper Fuel
P	Wide Plain Washer
PHMS	Pan Head Machine Screw
PLOW	Plow Bolt
RHMS	Round Head Machine Screw
RHSNB	Round Head Square Neck Bolt
SCREW LEVELING	Leveling Screw
SCREW THUMB	Thumb Screw
SCREW WELD	Weld Screw
SFCHMS	Slotted Flat Countersunk Head Machine Screw
SFHMS	Slotted Fillister Head Machine Screw
SP	Special
SP SCREW	Special Screw
SQHSS	Square Head Set Screw
SRHMS	Slotted Round Head Machine Screw
SSS	Socket Set Screw
STCS	Self Tapping Cap Screw
STHMS	Slotted Truss Head Machine Screw
WHEEL	Wheel Studs and Hub Long Bolts
WING	Wing Bolt

Replacement Hardware

The **Hardware Legend** above lists hardware abbreviations used in the parts list. All bolts and nuts are Grade 5 unless otherwise noted. The use of improper grades of hardware can result in personal injury, damage to equipment, or loss of property.

Colored Replacement Parts

Land Pride offers replacement parts in factory standard colors and also on select models in Green, Orange, Red and Blue. Because of the variety of colors available, special attention must be given to the part number to prevent ordering the wrong replacement part.

A suffix number corresponding to one of the colors below must be added at the end of Land Pride's part number when ordering a replacement part with that color.

81 Green 83 Red
82 Orange 84 Blue

For example, if you are ordering a replacement part with part number 555-555C and the part you need is red, then add the suffix 83 to the end of the number to make the part number read 555-555C83. Parts ordered without a suffix number will be supplied in factory standard colors.

Black Replacement Parts

Some parts are factory standard black and some must be special ordered black. If your part is special ordered black, a second part number with the additional suffix number 85 on the end will be available. In this situation you must order that part with the suffix number for it to be black. Parts that are factory standard black will not have the suffix number.

Part Number Service Coding

Within the parts list some part numbers are coded for revisions and interchangeability. See notations in revision column.

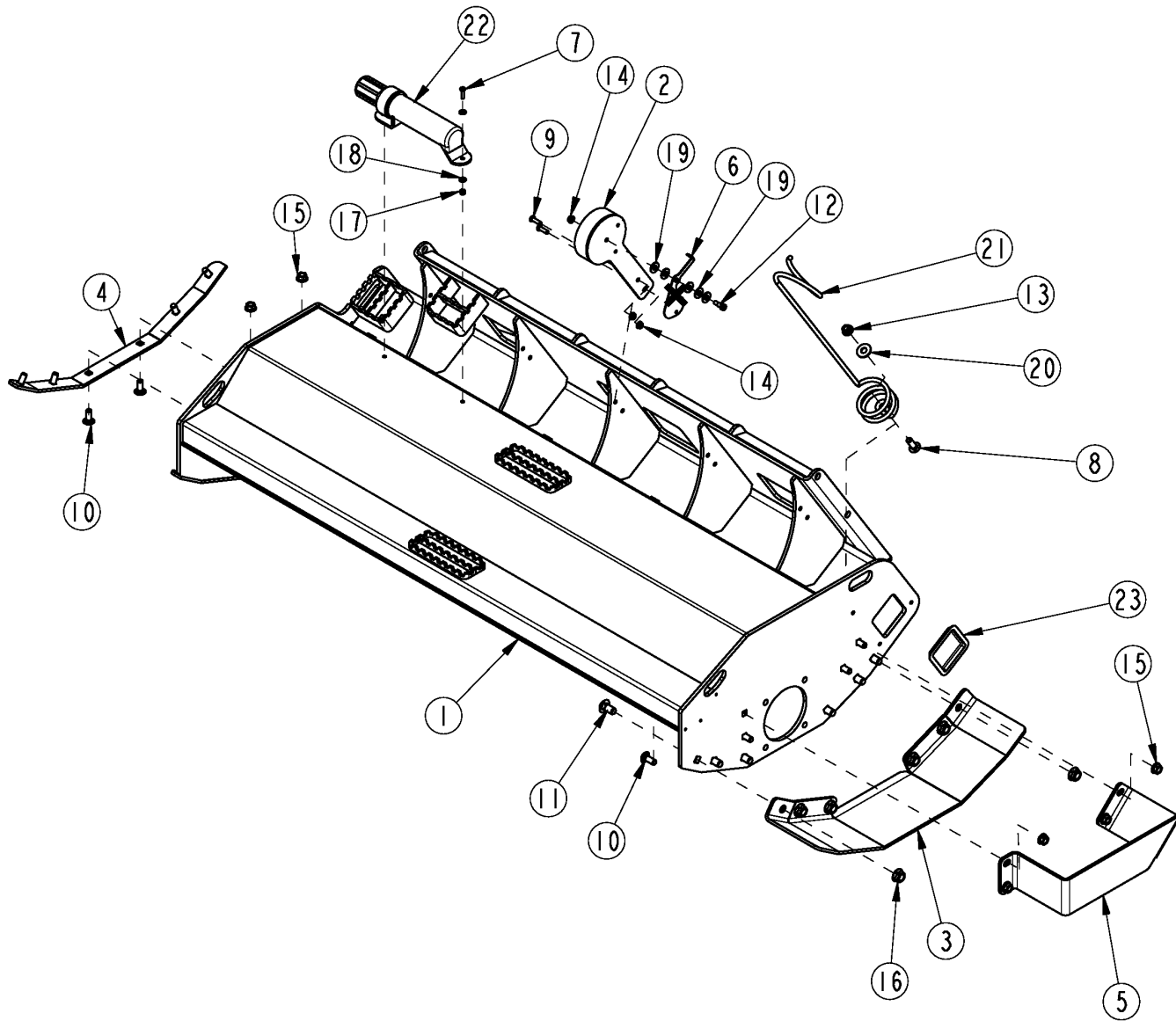
Serial Numbers

Always use the serial and model number when ordering parts. Refer to the Operator's Manual for serial number plate location.

- (S/N 20001+) Includes serial numbers 20001 and above (to the latest number)
- (S/N 10001 to 20000) Includes serial numbers between and including 10001 and 20000
- (S/N 10000-) Includes serial numbers 10000 and below (to the earliest number)

Frame Components

Applies to SRT62, SRT76



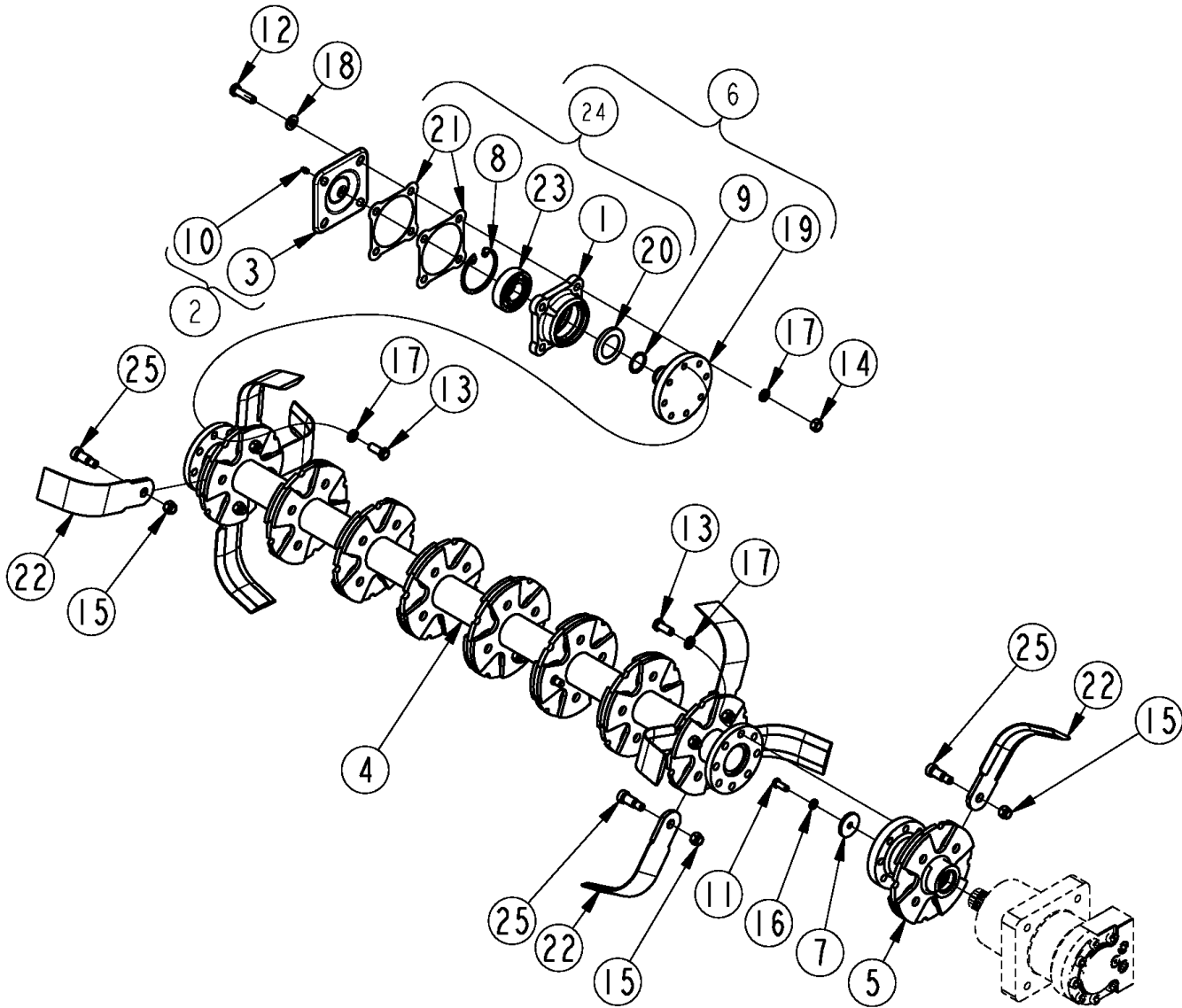
37046

Frame Components**Applies to SRT62, SRT76**

Ref	Part No.	Part Description	Comments	Revision
	dwg37046	Drawing Image Number		
1.	321-082H	FRAME WLDMT 62	SRT62	
1.	321-083H	FRAME WLDMT 76	SRT76	
2.	321-098H	DEPTH INDICATOR SUPPORT WLDMT		
3.	321-117D	MOTOR PROTECT SKID		
4.	321-122D	SKID SHOE NON DRIVE		
5.	321-133D	MOTOR PROTECTOR		
6.	321-134D	DEPTH INDICATOR		
7.	802-005C	HHCS 1/4-20X1 GR5		
8.	802-106C	RHSNB 1/2-13X1 1/2 GR5		
9.	802-159C	HHCS 5/16-18X1 GR5		
10.	802-214C	RHSNB 1/2-13X1 1/4 GR5		
11.	802-306C	RHSNB 5/8-11X1 1/4 GR5		
12.	802-794C	SHOULDER BOLT 3/8X1/2X5/16-18		
13.	803-037C	NUT HEX WHIZ 1/2-13 PLT		
14.	803-043C	NUT HEX WHIZ 5/16-18 PLT		
15.	803-193C	NUT HEX FLANGE 1/2-13 GR G PLT		
16.	803-196C	NUT HEX FLANGE 5/8-11 PLT		
17.	803-255C	NUT HEX NYLOCK 1/4-20		
18.	804-007C	WASHER FLAT 1/4 SAE PLT		
19.	804-011C	WASHER FLAT 3/8 USS PLT		
20.	804-017C	WASHER FLAT 1/2 USS PLT		
21.	807-073C	SPRING HOSE LOOP HEAVY		
22.	816-504C	MANUAL STORAGE CONTAINER		
23.	817-821C	4 X 4 X 5/16 END CAP	Silicone in Place	

Rotor Assembly

Applies to SRT62, SRT76



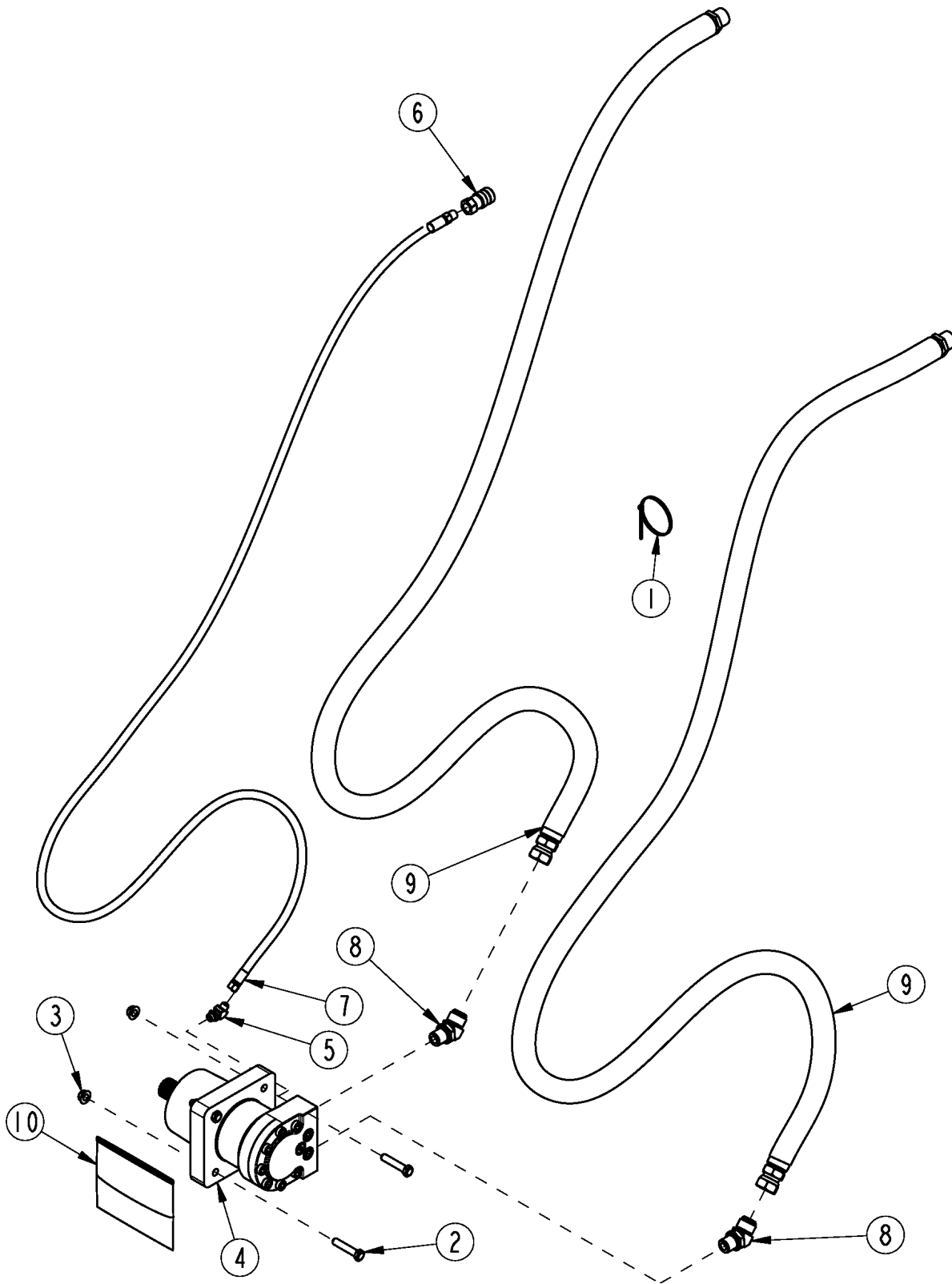
37047

Rotor Assembly**Applies to SRT62, SRT76**

Ref	Part No.	Part Description	Comments	Revision
	dwg37047	Drawing Image Number		
1.	N/A	RPBY 822-255C		
2.	311-135S	CVR NON-DRV LWR W/ZRK RTA/R		
3.	311-205D	COVER NON-DRV LWR		
4.	321-078H	ROTOR WLDMNT 62	SRT62	
4.	321-081H	ROTOR WLDMNT 76	SRT76	
5.	321-086H	ADAPTER MNT 1.25 ID		
6.	321-090K	HSG NON-DRV W/STUB ASY		
7.	321-128D	WASHER FLAT 1.84DX.41IDX.19THK		
8.	800-053C	SNAP RING INT3.523OD N5000-315		
9.	800-079C	SNAP RING EXT 1 3/8 5100-137		
10.	800-080C	GREASE ZERK 1/4-28 THD FORMING		
11.	802-017C	HHCS 3/8-16X1 GR5		
12.	802-082C	HHCS 1/2-13X1 3/4 GR5		
13.	802-580C	HHCS 1/2-13X1 1/4 GR8		
14.	803-020C	NUT HEX 1/2-13 PLT		
15.	803-147C	NUT HEX NYLOCK 1/2-13		
16.	804-013C	WASHER LOCK SPRING 3/8 PLT		
17.	804-015C	WASHER LOCK SPRING 1/2 PLT		
18.	804-094C	WASHER FLAT 1/2 HARD ASTM436		
19.	815-471C	NON-DRIVE STUB SHFT 8 BLT		
20.	816-068C	SEAL 1.75 X 2.75 X .313		
21.	816-070C	GASKET HSG 10/15 TILLER		
22.	820-537C	TINE, BI-DIRECTIONAL TILLER	Qty 36 SRT62, Qty 44 SRT76	
23.	822-082C	BRG BALL 1.37IDX3.14ODX.82 307		
24.	822-255C	HSG, 1.37ID X 4 BOLT,1.75 SEAL		
25.	842-233C	SHLDR BLT 5/8DX1L 1/2-13		

Rotor Drive 14 to 23 GPM

Applies to SRT62



37049

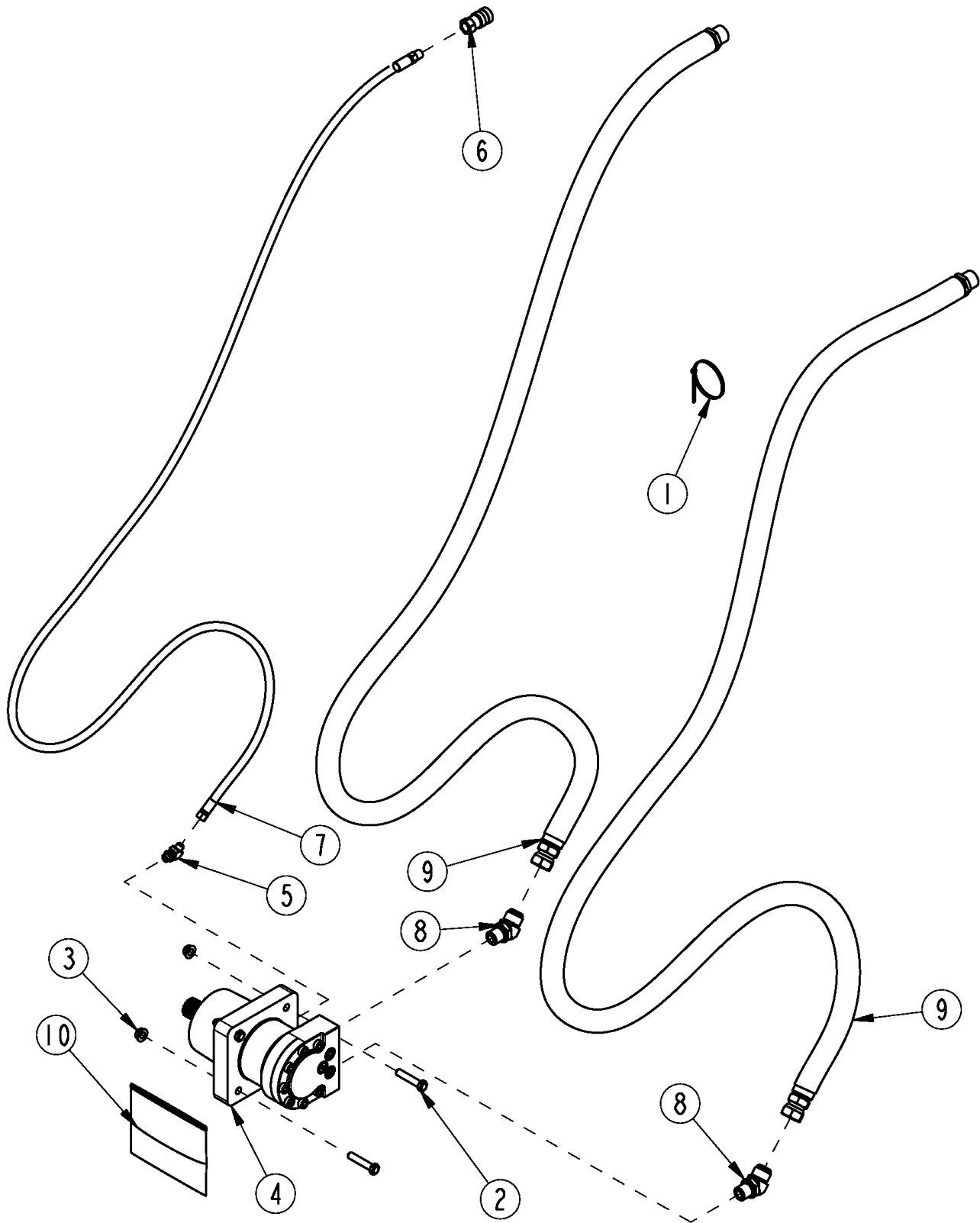
Rotor Drive 14 to 23 GPM

Applies to SRT62

Ref	Part No.	Part Description	Comments	Revision
	dwg37049	Drawing Image Number		
1.	800-060C	CABLE TIE .19X14.25 3DIA 50LB		
2.	802-130C	HHCS 1/2-13X2 1/2 GR5		
3.	803-169C	NUT HEX FLG LOCK 1/2-13 PLT		
4.	810-946C	HYD MOTOR, 19.8 CU IN BI-DIR		
5.	811-416C	EL 45 9/16MJIC 9/16MORB		
6.	841-539C	CP 3/8 FEMALE QD 3/8FNPT		
7.	841-652C	HH3/8R2 83.5 3/8MNPT9/16FJIC		
8.	851-069C	EL 45 1 1/16MORB 1 5/16MJIC		
9.	851-353C	HH3/4R12 86 1.31MORB 1.31FORB		
10.	9900014-000	SEAL KIT EATON 826-946C/947C		

Rotor Drive 23 to 42 GPM

Applies to SRT62, SRT76



37050

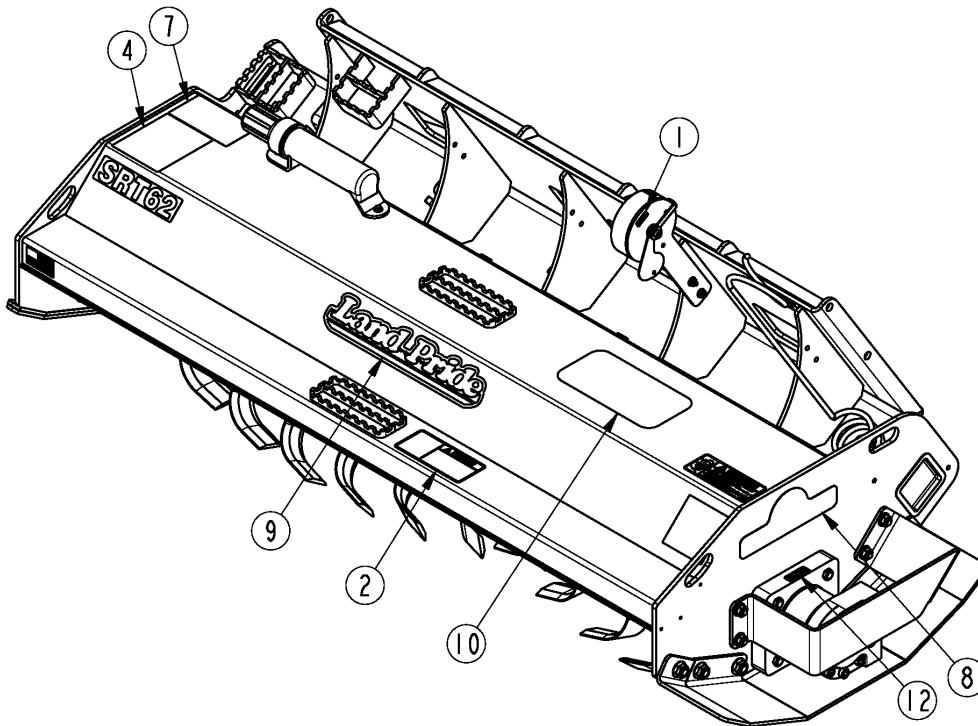
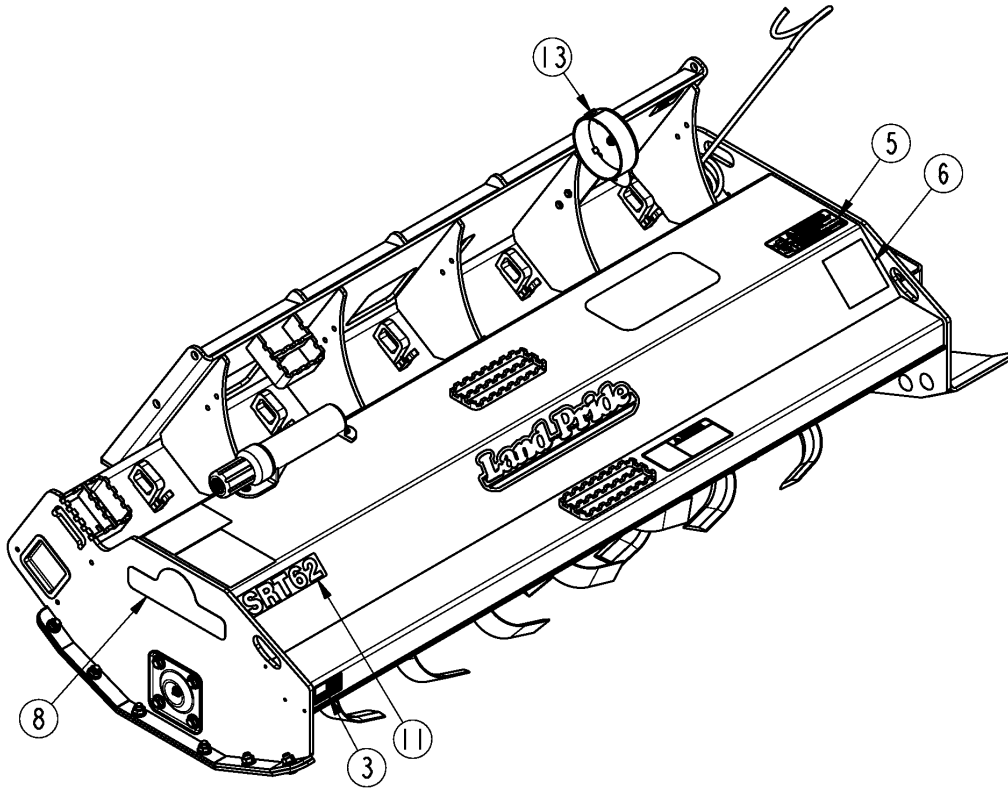
Rotor Drive 23 to 42 GPM

Applies to SRT62, SRT76

Ref	Part No.	Part Description	Comments	Revision
	dwg37050	Drawing Image Number		
1.	800-060C	CABLE TIE .19X14.25 3DIA 50LB		
2.	802-130C	HHCS 1/2-13X2 1/2 GR5		
3.	803-169C	NUT HEX FLG LOCK 1/2-13 PLT		
4.	810-947C	HYD MOTOR, 34.9 CU IN BI-DIR		
5.	811-416C	EL 45 9/16MJIC 9/16MORB		
6.	841-539C	CP 3/8 FEMALE QD 3/8FNPT		
7.	841-652C	HH3/8R2 83.5 3/8MNPT9/16FJIC		
8.	851-069C	EL 45 1 1/16MORB 1 5/16MJIC		
9.	851-247C	HH1R12 86 1.31MORB 1.31FORB		
10.	9900014-000	SEAL KIT EATON 826-946C/947C		

Label Placement

Applies to SRT62, SRT76



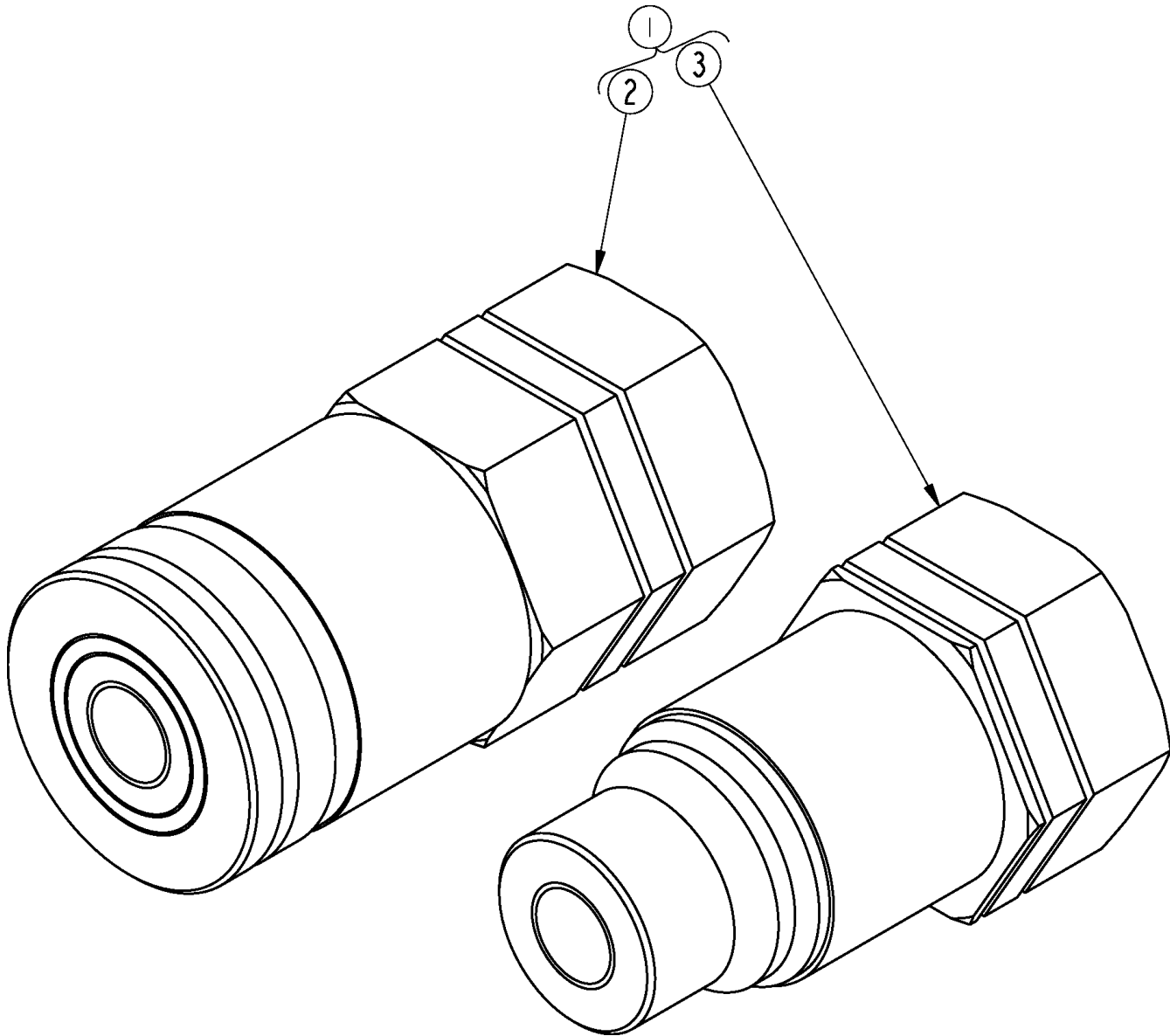
37051

Label Placement**Applies to SRT62, SRT76**

Ref	Part No.	Part Description	Comments	Revision
	dwg37051	Drawing Image Number		
1.	818-042C	DECAL PATENT PENDING		
2.	818-171C	DECAL DANGER ROTATING TINES		
3.	818-190C	DECAL FLAG		
4.	818-858C	DECAL WARNING GENERAL SAFTEY		
5.	838-094C	DECAL WARNING HYD PRESS LONG		
6.	838-107C	DECAL DANGER THROWN OBJECT		
7.	838-293C	DECAL WARNING READ MANUAL		
8.	838-963C	DECAL LP 10" W/TREE BROWN/GOLD		
9.	838-965C	DECAL LANDPRIDE 16" BROWN/GOLD		
10.	840-107C	3M CONFORM. ANTI-SLIP 10 X 5.0		
11.	858-161C	DECAL, SRT62 GOLD	SRT62	
11.	858-162C	DECAL, SRT76 GOLD	SRT76	
12.	858-183C	DECAL 14-23 GPM		
12.	858-184C	DECAL 23-42 GPM		
13.	858-213C	DECAL DEPTH GAUGE		

Flat Faced Couplers Large

Applies to SRT62, SRT76



35576

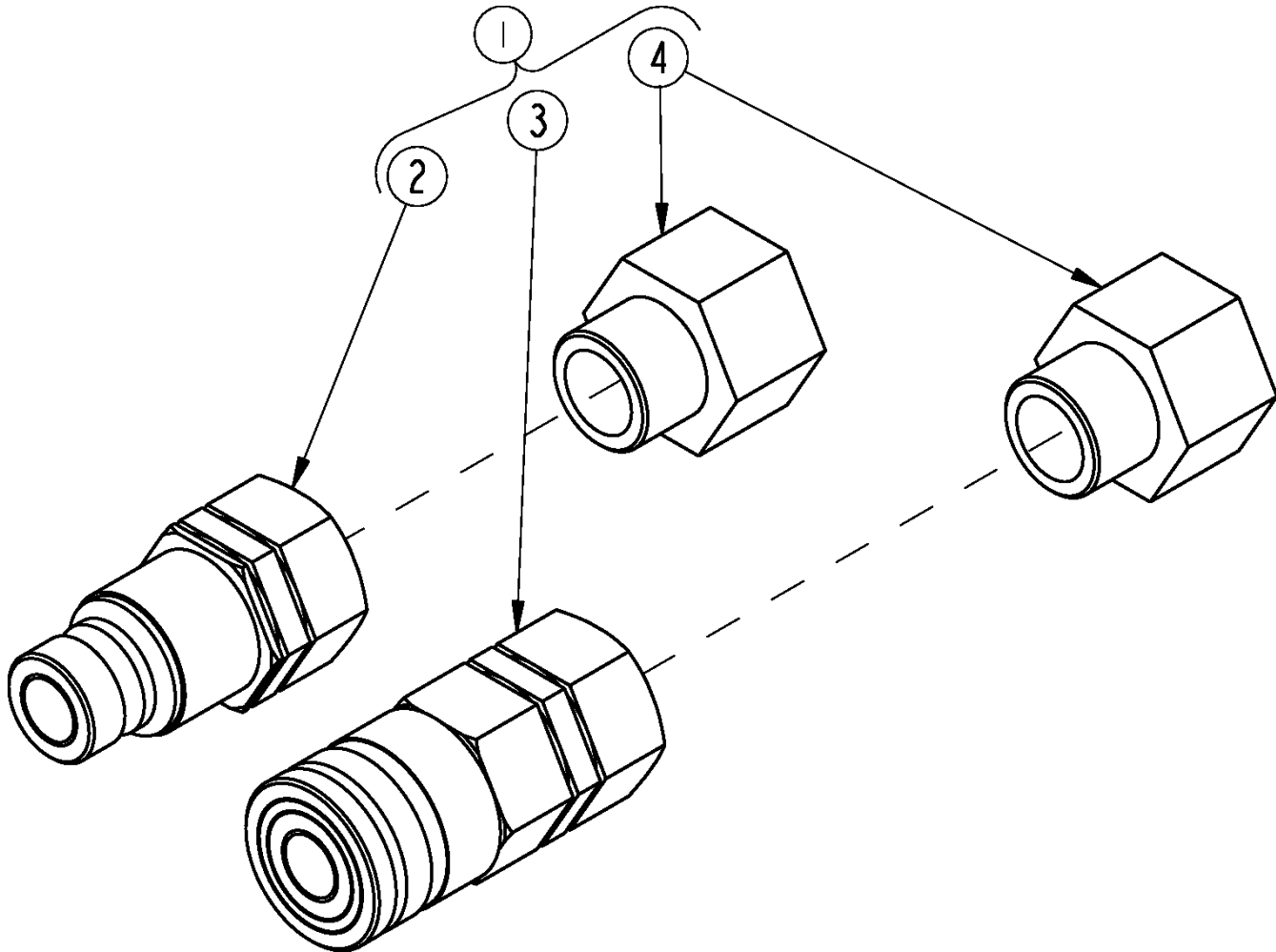
Flat Faced Couplers Large

Applies to SRT62, SRT76

Ref	Part No.	Part Description	Comments	Revision
	dwg35576	Drawing Image Number		
1.	316-289A	LARGE FLAT FACED COUPLERS		
2.	841-957C	CP 1 5/16FORB FEMALE QD		
3.	841-958C	CP 1 5/16FORB MALE QD		

Flat Faced Couplers Small

Applies to SRT62, SRT76



35575

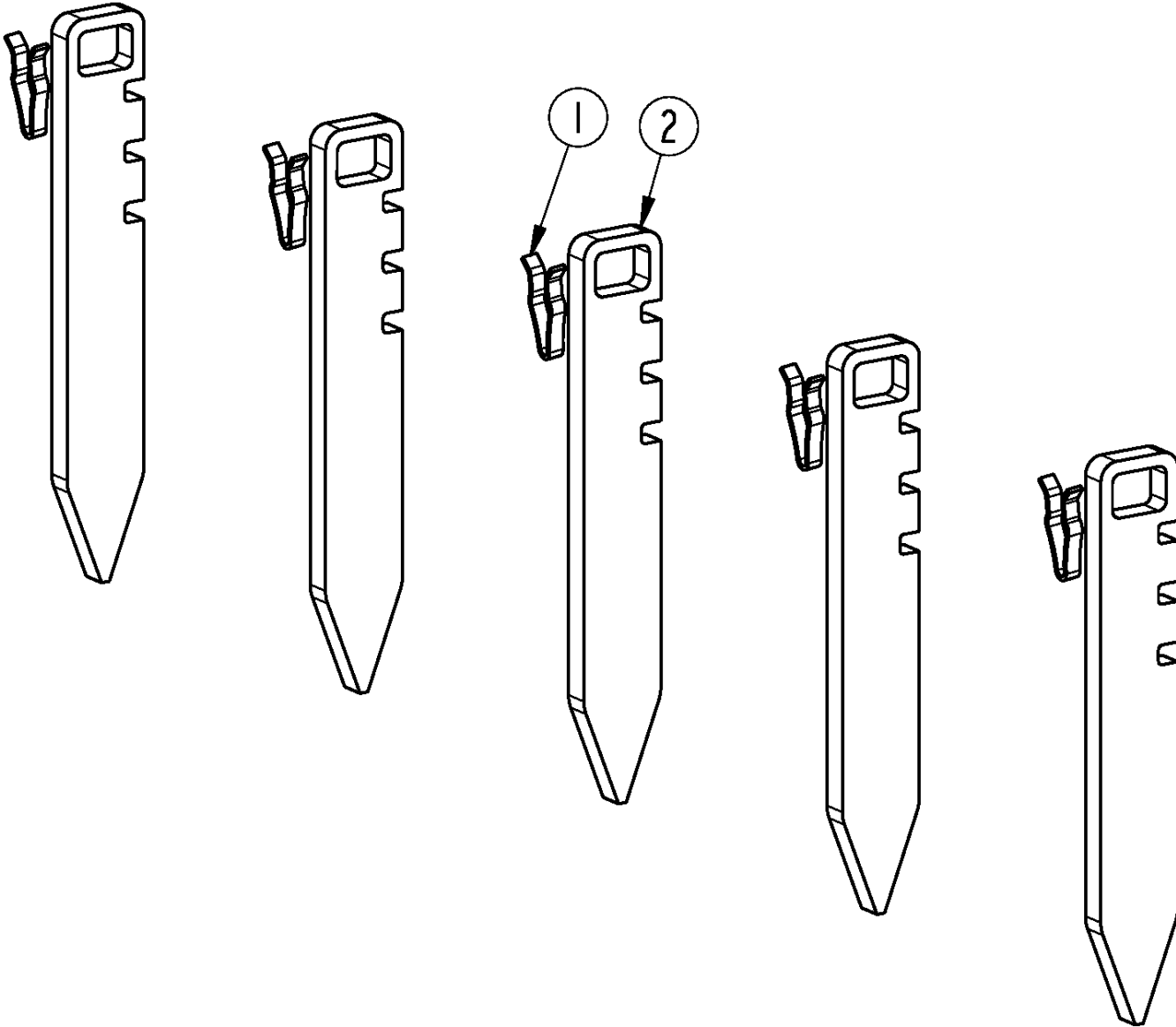
Flat Faced Couplers Small

Applies to SRT62, SRT76

Ref	Part No.	Part Description	Comments	Revision
	dwg35575	Drawing Image Number		
1.	316-290A	SMALL FLAT FACED COUPLERS		
2.	811-744C	CP 1 1/16FORB MALE QUICK		
3.	811-745C	CP 1 1/16FORB FEMALE QUICK		
4.	851-102C	AD 1 5/16FORB 1 1/16MORB		

Shanks with Clips

Applies to SRT62, SRT76



Shanks with Clips

Applies to SRT62, SRT76

Ref	Part No.	Part Description	Comments	Revision
	dwg37052	Drawing Image Number		
	321-093A	SHANKS W/CLIPS 62" BNDL (5 ea.)		
	321-094A	SHANKS W/CLIPS 76" BNDL (6 ea.)		
		*		
1.	305-111D	CLIP SHANK RETAINER		
2.	820-557C	STRAIGHT SHANK		



Part Number Index

The Part Number Index is a numeric index of all part numbers included in this manual. The index shows what page(s) the part is used on.

<u>Part Number</u>	<u>Page</u>	<u>Part Number</u>	<u>Page</u>
305-111D	21	838-965C	15
311-135S	9	840-107C	15
311-205D	9	841-539C	11, 13
316-289A	17	841-652C	11, 13
316-290A	19	841-957C	17
321-078H	9	841-958C	17
321-081H	9	842-233C	9
321-082H	7	851-069C	11, 13
321-083H	7	851-102C	19
321-086H	9	851-247C	13
321-090K	9	851-353C	11
321-093A	21	858-161C	15
321-094A	21	858-162C	15
321-098H	7	858-183C	15
321-117D	7	858-184C	15
321-122D	7	858-213C	15
321-128D	9	9900014-000	11, 13
321-133D	7	dwg35575	19
321-134D	7	dwg35576	17
800-053C	9	dwg37046	7
800-060C	11, 13	dwg37047	9
800-079C	9	dwg37049	11
800-080C	9	dwg37050	13
802-005C	7	dwg37051	15
802-017C	9	dwg37052	21
802-082C	9	N/A	9
802-106C	7		
802-130C	11, 13		
802-159C	7		
802-214C	7		
802-306C	7		
802-580C	9		
802-794C	7		
803-020C	9		
803-037C	7		
803-043C	7		
803-147C	9		
803-169C	11, 13		
803-193C	7		
803-196C	7		
803-255C	7		
804-007C	7		
804-011C	7		
804-013C	9		
804-015C	9		
804-017C	7		
804-094C	9		
807-073C	7		
810-946C	11		
810-947C	13		
811-416C	11, 13		
811-744C	19		
811-745C	19		
815-471C	9		
816-068C	9		
816-070C	9		
816-504C	7		
817-821C	7		
818-042C	15		
818-171C	15		
818-190C	15		
818-858C	15		
820-537C	9		
820-557C	21		
822-082C	9		
822-255C	9		
838-094C	15		
838-107C	15		
838-293C	15		
838-963C	15		

This Page Intentionally Left Blank



Great Plains Manufacturing, Inc.

Corporate Office: P.O. Box 5060
Salina, Kansas 67402-5060 USA

www.landpride.com
