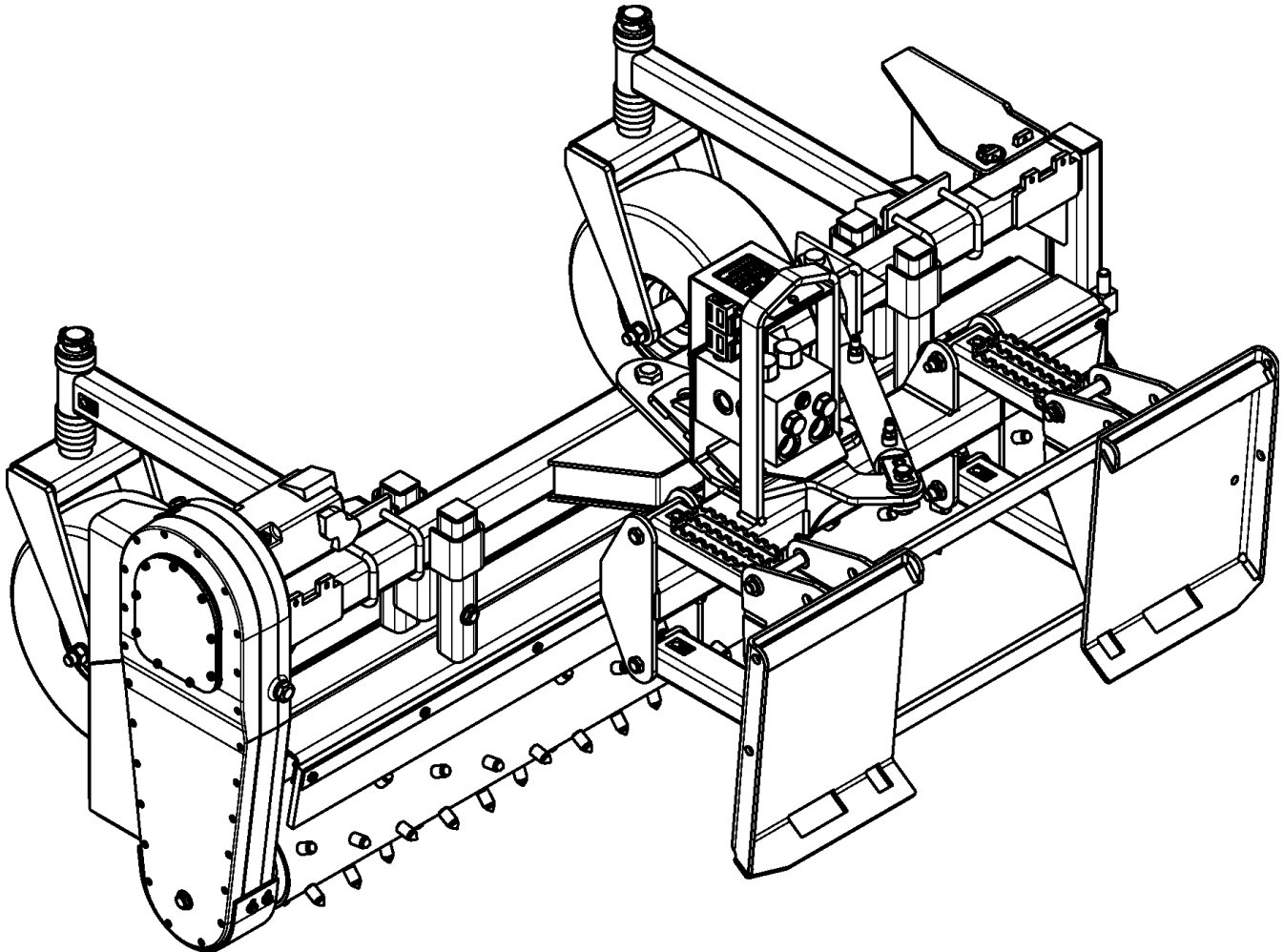


Powered Rake

AP-SR2672 & AP-SR2690



37718

321-004PK
Parts Manual

Kubota®



Read the Operator's Manual entirely. When you see this symbol, the subsequent instructions and warnings are serious - follow without exception. Your life and the lives of others depend on it!

© Copyright 2018 Printed 07/11/18

Cover photo may show optional equipment not supplied with standard unit.



Table of Contents

Section 1: Introduction.....	4
Using This Manual.....	4
Manual Replacement Information.....	4
Manual Revisions.....	4
Touch-up Paint.....	4
Hardware Legend.....	5
Replacement Hardware.....	5
Serial Numbers.....	5
Part Number Service Coding.....	5
Section 2: Frames.....	6
Hitch and Pivot Frame.....	6
Main Frame.....	8
Main Frame.....	10
Material Control Blades and Spiked Roller.....	12
Material Control Blades and Spiked Roller.....	14
Section 3: Chain Case.....	16
Chain Case.....	16
Section 4: Gauge Wheel.....	18
Gauge Wheels.....	18
Section 5: Hydraulics.....	20
Hydraulic Arrangement.....	20
Hydraulic Bypass Valve 3500 PSI (810-736C).....	22
Hydraulic Cylinder (810-005C).....	24
Hydraulic Cylinder (810-735C).....	26
Hydraulic Motor (810-389C).....	28
Hydraulic Motor (810-561C).....	30
Section 6: Decals.....	32
AP-SR2672 Label Placement.....	32
AP-SR2690 Label Placement.....	34
Kubota Touch-up Paints.....	36
Section 7: Options & Accessories.....	38
Deutsch HD3014 Pin Plug 10 ft. Lg.....	38
Switch & Wire Harness.....	40
Switch & Wire Harness (823-183C).....	42
Switch & Wire Harness (823-437C).....	44
Switch & Wire Harness DTP Plug.....	46
 Part Number Index.....	 48

© Copyright 2018. All rights reserved.

Kubota provides this publication “as is” without warranty of any kind, either expressed or implied. While every precaution has been taken in the preparation of this manual, Kubota assumes no responsibility for errors or omissions. Neither is any liability assumed for damages resulting from the use of the information contained herein. Kubota reserves the right to revise and improve its products as it sees fit. This publication describes the state of this product at the time of its publication, and may not reflect the product in the future. The illustrations in this manual are not intended for safe and proper assembly or disassembly of equipment. The illustrations are intended for ordering parts only.

Kubota is registered trademark.

All other brands and product names are trademarks or registered trademarks of their respective holders.

Printed in the United States of America.



Alphabetized Table of Contents

A	
AP-SR2672 Label Placement.....	32
AP-SR2690 Label Placement.....	34
C	
Chain Case.....	16
D	
Deutsch HD3014 Pin Plug 10 ft. Lg.....	38
G	
Gauge Wheels.....	18
H	
Hitch and Pivot Frame.....	6
Hydraulic Arrangement.....	20
Hydraulic Bypass Valve 3500 PSI (810-736C).....	22
Hydraulic Cylinder (810-005C).....	24
Hydraulic Cylinder (810-735C).....	26
Hydraulic Motor (810-389C).....	28
Hydraulic Motor (810-561C).....	30
K	
Kubota Touch-up Paints.....	36
M	
Main Frame.....	8
Main Frame.....	10
Material Control Blades and Spiked Roller.....	12
Material Control Blades and Spiked Roller.....	14
S	
Switch & Wire Harness.....	40
Switch & Wire Harness (823-183C).....	42
Switch & Wire Harness (823-437C).....	44
Switch & Wire Harness DTP Plug.....	46

General Information

Using This Manual

This manual is divided into sections. The first section contains General Information. The remaining sections divide the machine into segments (i.e. Frames, Drives, Hydraulics, etc.) which illustrate and list all parts. A Parts Number Index is located at the back of the book.

The Kubota parts in this manual are specially designed for this machine and should be replaced with Kubota parts only.

The information in this manual is current at time of printing. Some parts may change to assure top performance.

Right-hand and left-hand as used in this manual are determined by facing the direction the machine will travel while in use.

Below is an example of two facing pages from a parts manual. Familiarize yourself with the type of information contained on these pages.

Manual Replacement Information

Replacement manuals are available. Refer to our website at www.landpride.com for additional information. Our website continues to provide the most up-to-date manuals available.

Touch-up Paint

Repaint parts where paint is worn or scratched to prevent rust. Aerosol cans and touch-up bottles with brush applicator are available through your local dealer. Also available are quart and gallon size paints. Add QT or GL to end of the Aerosol P/N.

Kubota color descriptions and part numbers are listed on the "Kubota Touch-up Paints" page in the "Decals" section of this book.



General Information

Hardware Legend

AR	As Required
BLADE	Blade Bolt
C	Cap Screw
CP	Cotter Pin
CPHSSS	Cup Point Hex Socket Set Screw
CPSHSS	Cup Point Square Head Set Screw
CPSQHSS	Cup Point Square Head Set Screw
CRFCHMS3	Cross Recess Flat Countersunk Head Machine Screw
CRPHMS	Cross Recess Pan Head Machine Screw
CRPHTFS	Cross Recess Pan Head Thread Forming
CRRHMS	Cross Recess Round Head Machine Screw
CRTHMS	Cross Recess Truss Head Machine Screw
CSNB	Countersunk Square Neck Bolt
FHMS	Flat Head Machine Screw
FTC	Full Thread Cap Screw
H	Hex Nut
HCLN	Hex Center Lock Nut
HFLCS	Hex Flange Lock Cap Screw
HFS	Hex Flange Screw
HFSLN	Hex Flange Serrated Lock Nut
HFSS	Hex Flange Serrated Screw
HHCS	Hex Head Cap Screw or Metric Bolt
HSBHCS	Hex Socket Button Head Cap Screw
HSFCHCS	Hex Socket Flat Countersunk Head Cap Screw
HSHCS	Hex Socket Head Cap Screw
HSSS	Hex Socket Head Screw
HTLN	Hex Top Lock Nut
HWHCS	Hex Washer Head Cap Screw

HWHMS	Hex Washer Head Machine Screw
HXBHCS	Hex Socket Button Head Cap Screw
J	Hex Jam Nut
JIC	37 Degree Tapered Thread
L	Helical Spring Lock Washer
LUG	Lug Bolt
NFC	National Fine Cap Screw
NPSM	National Pipe Straight Mechanical
NPTF	National Pipe Taper Fuel
P	Wide Plain Washer
PHMS	Pan Head Machine Screw
PLOW	Plow Bolt
RHMS	Round Head Machine Screw
RHSNB	Round Head Square Neck Bolt
SCREW LEVELING	Leveling Screw
SCREW THUMB	Thumb Screw
SCREW WELD	Weld Screw
SFCHMS	Slotted Flat Countersunk Head Machine Screw
SFHMS	Slotted Fillister Head Machine Screw
SP	Special
SP SCREW	Special Screw
SQHSS	Square Head Set Screw
SRHMS	Slotted Round Head Machine Screw
SSS	Socket Set Screw
STCS	Self Tapping Cap Screw
STHMS	Slotted Truss Head Machine Screw
WHEEL	Wheel Studs and Hub Long Bolts
WING	Wing Bolt

Replacement Hardware

The **Hardware Legend** above lists hardware abbreviations used in the parts list. All bolts and nuts are Grade 5 unless otherwise noted. The use of improper grades of hardware can result in personal injury, damage to equipment, or loss of property.

Part Number Service Coding

Within the parts list some part numbers are coded for revisions and interchangeability. See notations in revision column.

Serial Numbers

Always use the serial and model number when ordering parts. Refer to the Operator's Manual for serial number plate location.

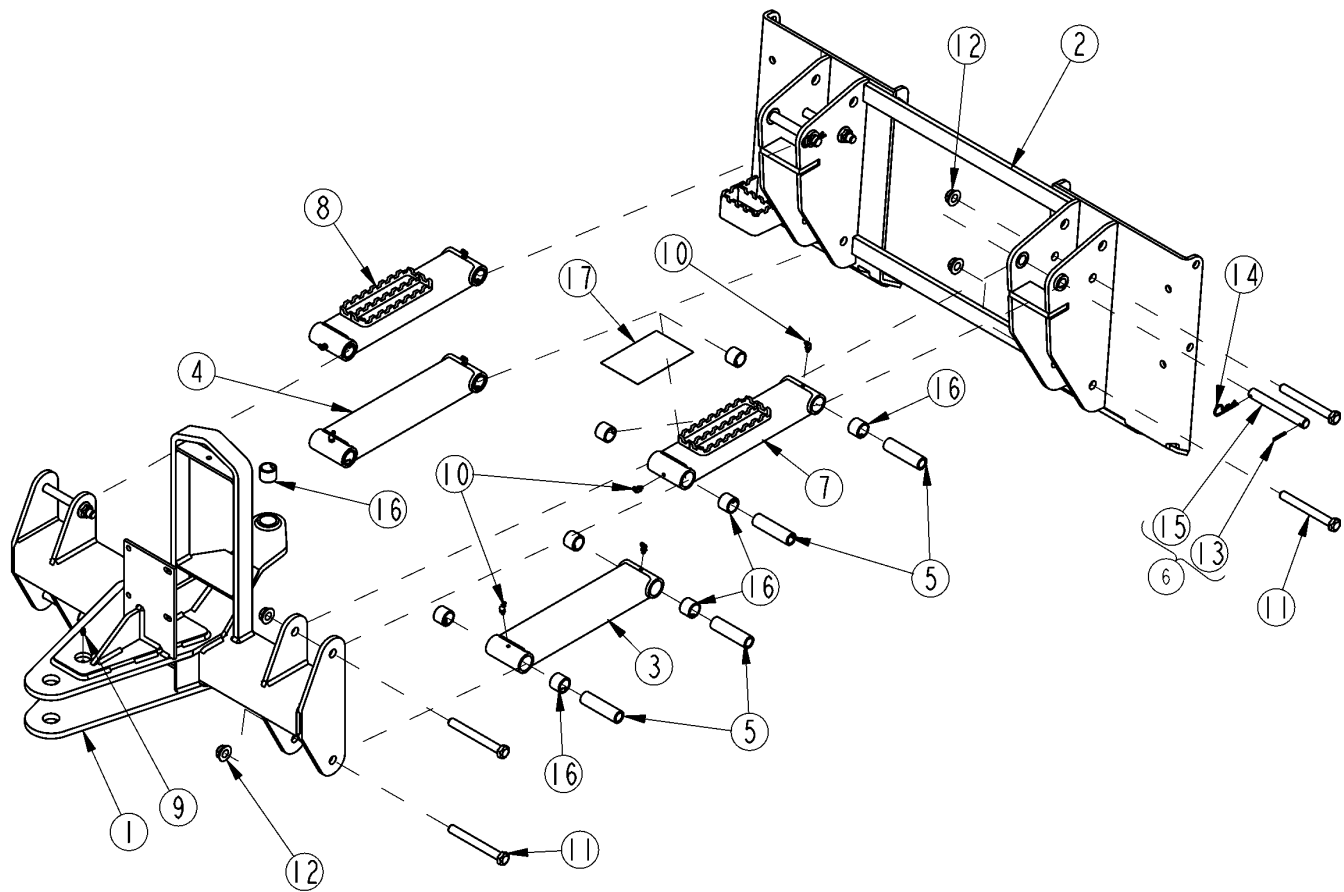
(S/N 20001+) Includes serial numbers 20001 and above (to the latest number)

(S/N 10001 to 20000) Includes serial numbers between and including 10001 and 20000

(S/N 10000-) Includes serial numbers 10000 and below (to the earliest number)

Hitch and Pivot Frame

Applies to AP-SR2672, AP-SR2690



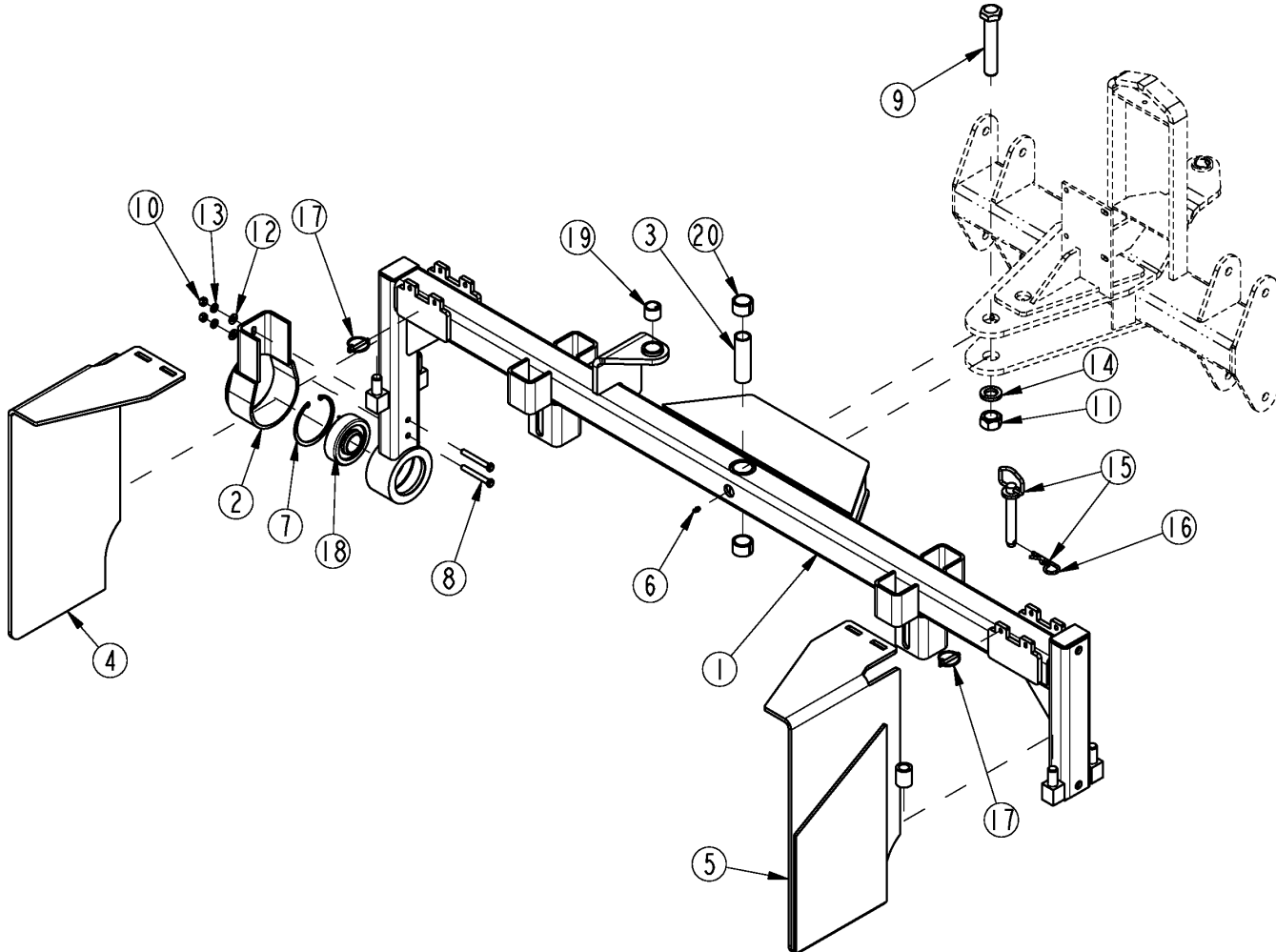
21376

Hitch and Pivot Frame**Applies to AP-SR2672, AP-SR2690**

Ref	Part No.	Part Description	Comments	Revision
	Dwg 21376	Drawing Image Number		
1.	321-001H	PARALLEL ARM PIVOT WMT		
2.	321-002H	HITCH WLDMT		
3.	321-003H	UPPER PARALLEL ARM WMT		
4.	321-008S	UPPER PARALLEL ARM ASSY		
5.	321-011D	PIVOT BUSHING		
6.	321-036S	PIN 3/4 OD X 5 1/8 USABLE ASSY		
7.	321-074H	UPPER PARALLEL ARM W/TREAD		
8.	321-075S	UPPER PARALLEL ARM W/TREAD		
9.	800-080C	GREASE ZERK 1/4-28 THD FORMING		
10.	800-136C	ZERK 1/4-28 X 45 DEG SELF-TAP		
11.	802-254C	HHCS 5/8-11X5 1/2 GR5		
12.	803-263C	NUT HEX FLANGE LOCK 5/8-11 PLT		
13.	805-068C	PIN ROLL 5/32 X 1 1/4		
14.	805-143C	PIN HAIR COTTER .120 PLT		
15.	805-300C	PIN 3/4 OD X 5 1/8 USABLE		
16.	890-005C	BUSHING CYL 1 1/4 X 1 X 1		
17.	990-085R	3M CONFORM. ANTI-SLIP 4" WIDE	.5 FT. Required Per Side	

Main Frame

Applies to AP-SR2672



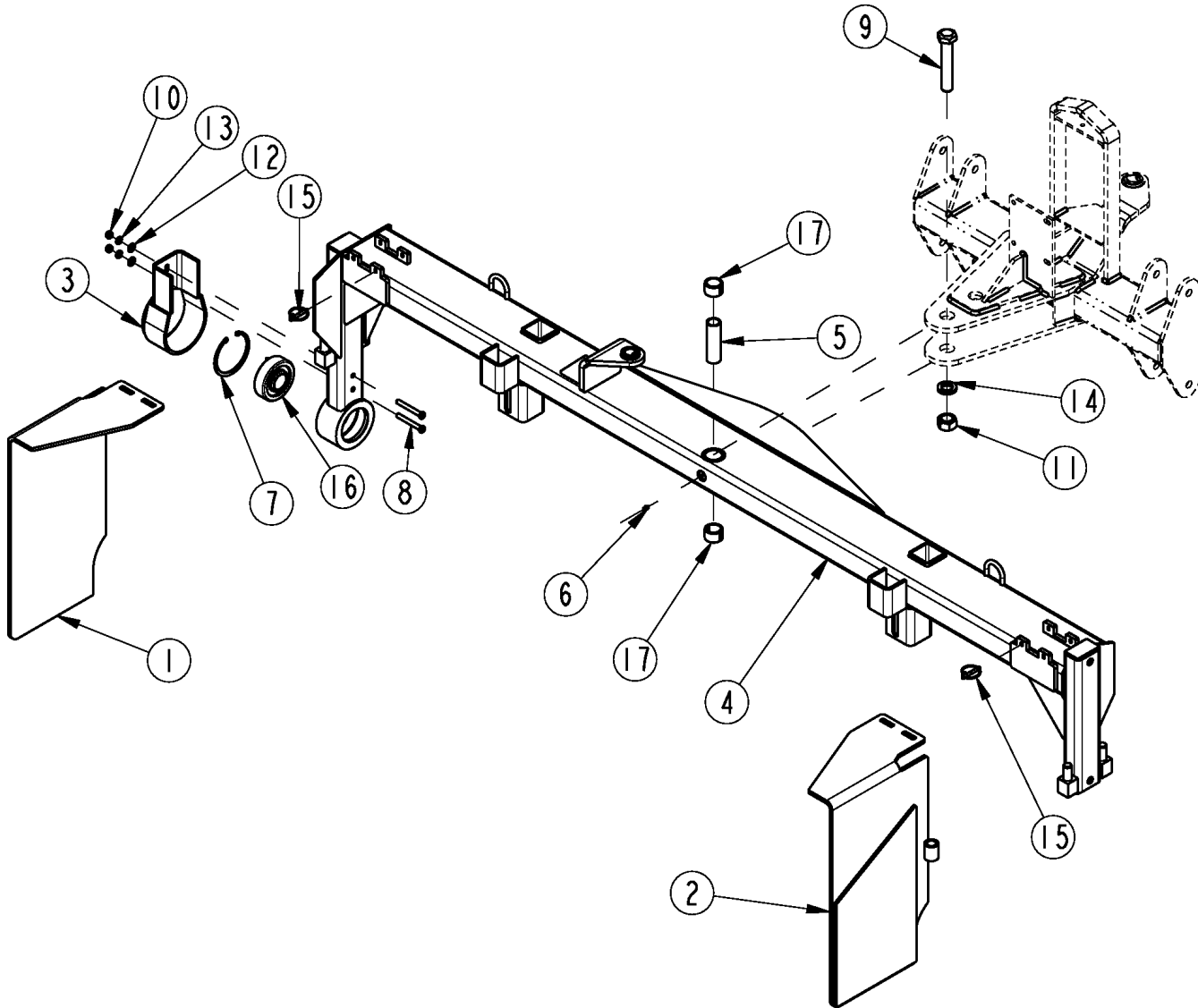
21378

Main Frame**Applies to AP-SR2672**

Ref	Part No.	Part Description	Comments	Revision
	Dwg 21378	Drawing Image Number		
1.	321-012H	MAIN FRAME WELDMENT		
2.	321-014H	SKID SHOE, PR & SR SERIES		
3.	321-063D	TUBE RND DOM. 1.25ODX11GWX4.06		
4.	321-088H	WMT, SIDE PLT RH		
5.	321-089H	WMT, SIDE PLT LH		
6.	800-080C	GREASE ZERK 1/4-28 THD FORMING		
7.	800-309C	SNAP RING INT 4.107 OD .120W		
8.	802-024C	HHCS 3/8-16X3 GR5		
9.	802-205C	HHCS 1-8X5 1/2 GR5		
10.	803-014C	NUT HEX 3/8-16 PLT		
11.	803-031C	NUT HEX 1-8 PLT		
12.	804-012C	WASHER FLAT 3/8 SAE PLT		
13.	804-013C	WASHER LOCK SPRING 3/8 PLT		
14.	804-027C	WASHER LOCK SPRING 1 PLT		
15.	805-081C	PIN HTCH .75X4.25 USBL W/PIN		
16.	805-088C	PIN, HAIR COTTER 3/16 WIRE DIA		
17.	805-126C	PIN LINCH 1/4 X 1 3/4 PLT		
18.	822-182C	BRG INS 1.50IDX3.93OD SPH		
19.	890-005C	BUSHING CYL 1 1/4 X 1 X 1		
20.	890-011C	BUSHING SPINDLE 1 1/2X1 1/4X1		

Main Frame

Applies to AP-SR2690



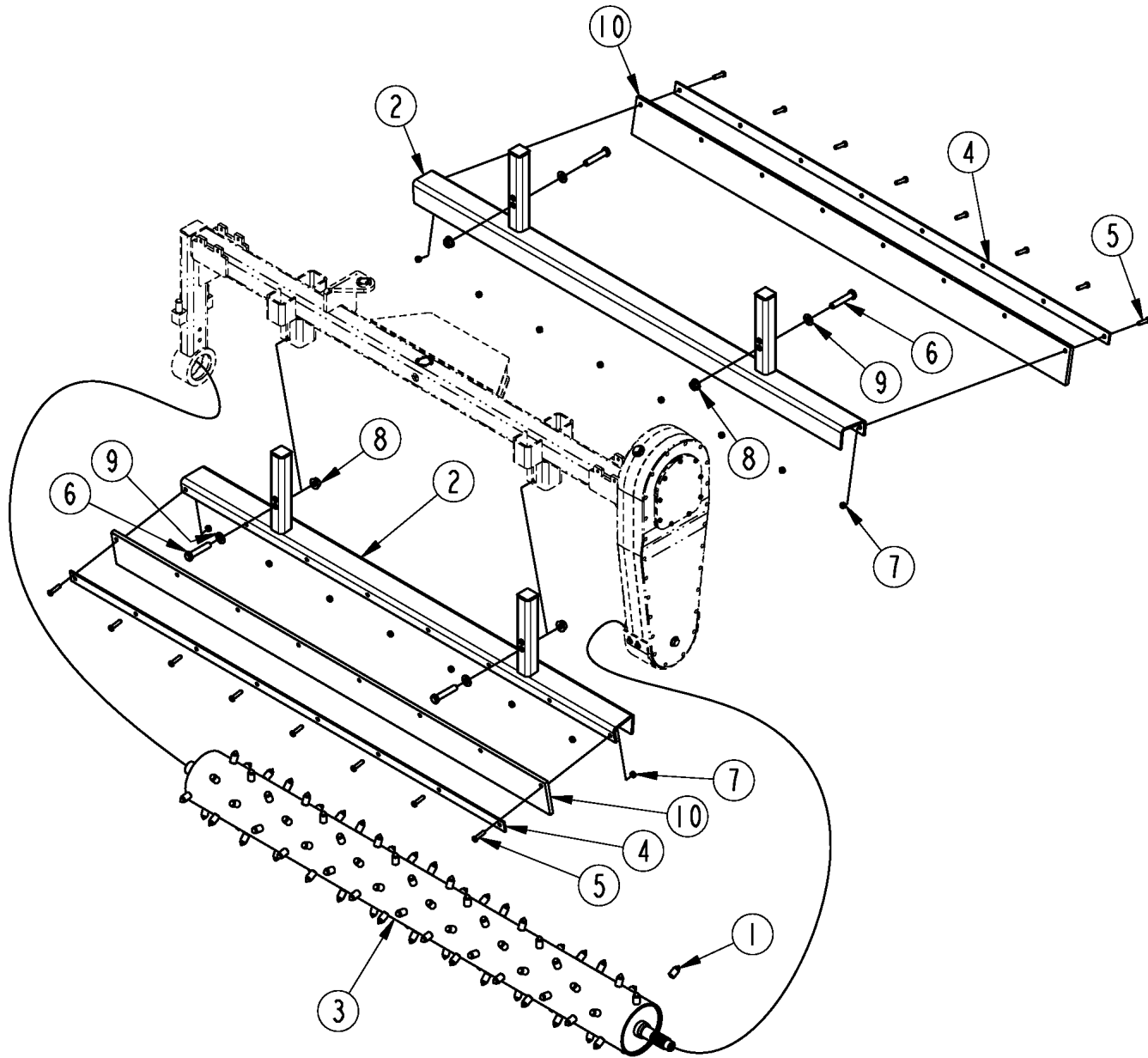
24512

Main Frame**Applies to AP-SR2690**

Ref	Part No.	Part Description	Comments	Revision
	Dwg 24512	Drawing Image Number		
1.	321-088H	WMT, SIDE PLT RH		
2.	321-089H	WMT, SIDE PLT LH		
3.	321-014H	SKID SHOE		
4.	321-056H	FRAME WELDMENT 2690		
5.	321-063D	TUBE RND DOM. 1.25ODX11GWX4.06		
6.	800-080C	GREASE ZERK 1/4-28 THD FORMING		
7.	800-309C	SNAP RING INT 4.107 OD .120W		
8.	802-024C	HHCS 3/8-16X3 GR5		
9.	802-205C	HHCS 1-8X5 1/2 GR5		
10.	803-014C	NUT HEX 3/8-16 PLT		
11.	803-031C	NUT HEX 1-8 PLT		
12.	804-012C	WASHER FLAT 3/8 SAE PLT		
13.	804-013C	WASHER LOCK SPRING 3/8 PLT		
14.	804-027C	WASHER LOCK SPRING 1 PLT		
15.	805-126C	PIN LINCH 1/4 X 1 3/4 PLT		
16.	822-182C	BRG SPHERE 1 1/2 ID W/CAST		
17.	890-011C	BUSHING SPINDLE 1 1/2X1 1/4X1		

Material Control Blades and Spiked Roller

Applies to AP-SR2672



37716

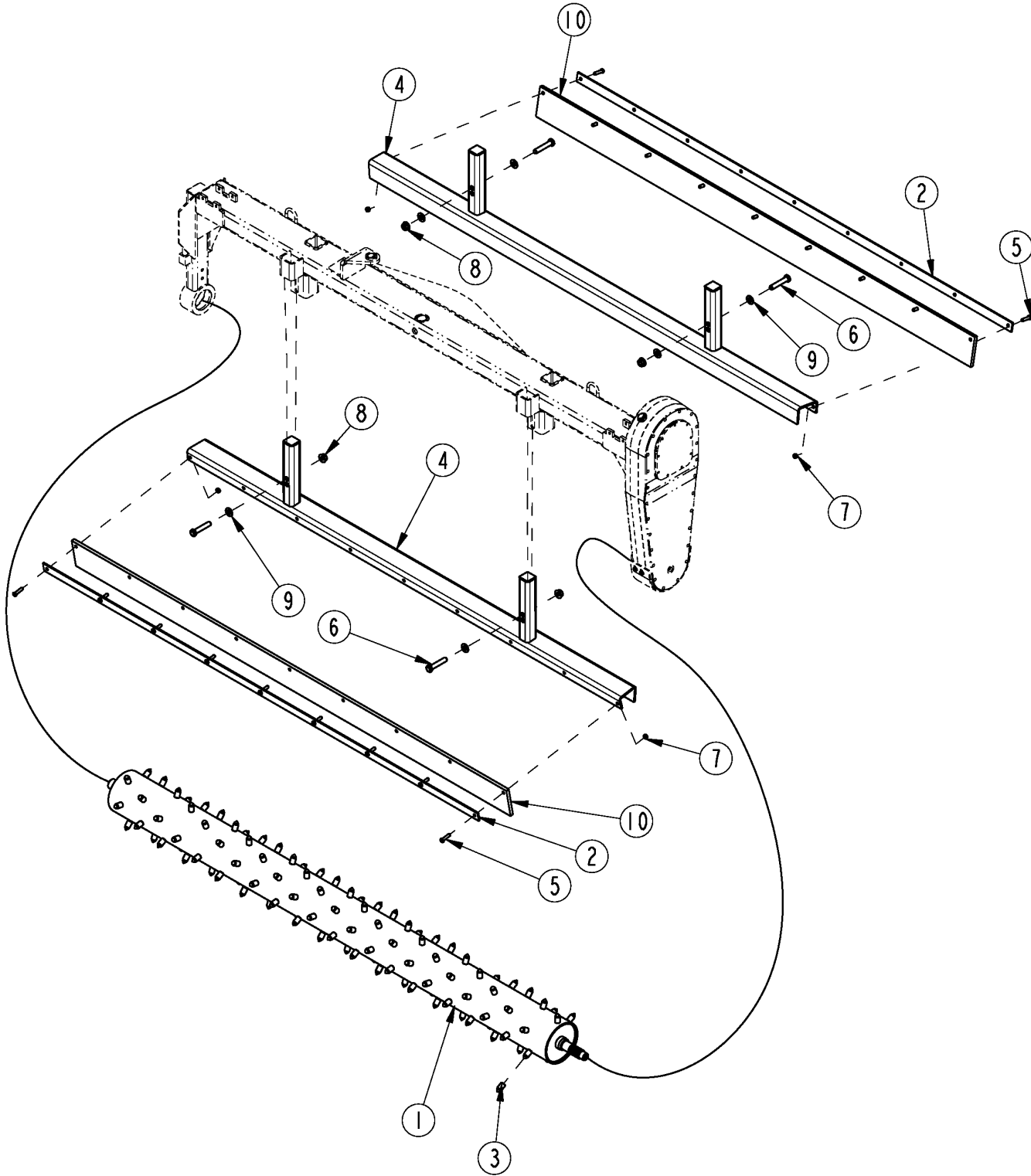
Material Control Blades and Spiked Roller

Applies to AP-SR2672

Ref	Part No.	Part Description	Comments	Revision
	Dwg 37716	Drawing Image Number		
1.	314-321D	3/4X1 1/2 CRBD TIP STUD W/FLX	Welding Required For Replacement	
2.	321-011H	MAT'L CONTROL WELDMENT		
3.	321-052H	STUD ROLLER WELDMENT		
4.	321-074D	MATERIAL CONTROL CLAMP		
5.	802-022C	HHCS 3/8-16X1 1/2 GR5		
6.	802-160C	HHCS 5/8-11X3 1/4 GR5		
7.	803-013C	NUT LOCK 3/8-16 PLT		
8.	803-304C	NUT HEX WHIZ 5/8-11 PLT		
9.	804-021C	WASHER FLAT 5/8 SAE PLT		
10.	817-395C	MATERIAL CONTROL BLADE		

Material Control Blades and Spiked Roller

Applies to AP-SR2690



37720

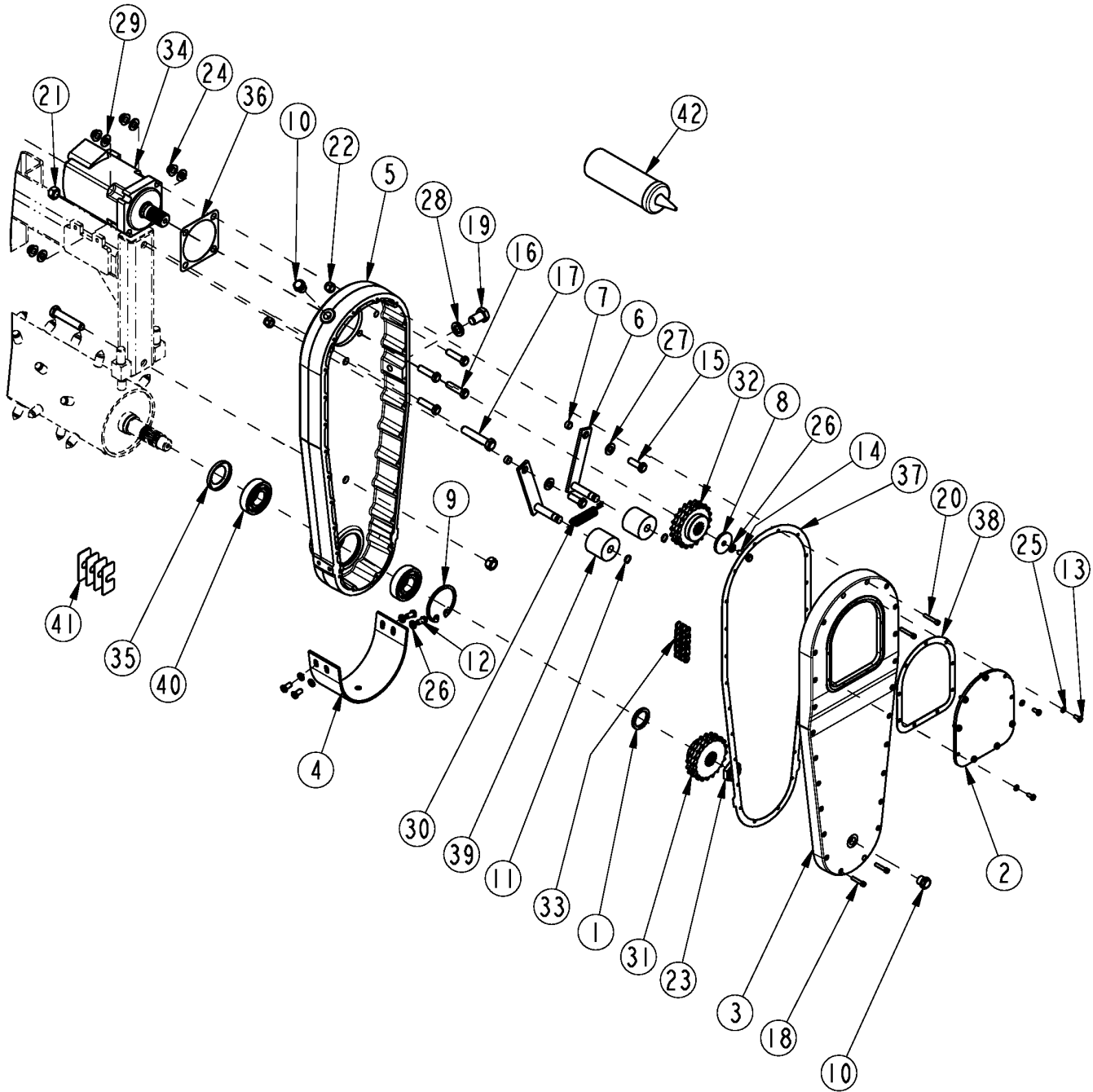
Material Control Blades and Spiked Roller

Applies to AP-SR2690

Ref	Part No.	Part Description	Comments	Revision
	Dwg 37720	Drawing Image Number		
1.	314-244H	STUD ROLLER WLDMT 90"		
2.	314-315D	MATERIAL CONTROL CLAMP 90"		
3.	314-321D	3/4X1 1/2 CRBD TIP STUD W/FLX	Welding Required For Replacement	
4.	321-061H	MATL CONTROL WLDMT		
5.	802-022C	HHCS 3/8-16X1 1/2 GR5		
6.	802-160C	HHCS 5/8-11X3 1/4 GR5		
7.	803-013C	NUT LOCK 3/8-16 PLT		
8.	803-304C	NUT HEX WHIZ 5/8-11 PLT		
9.	804-021C	WASHER FLAT 5/8 SAE PLT		
10.	817-652C	FLEX MATERIAL CONTROL 90"		

Chain Case

Applies to AP-SR2672, AP-SR2690



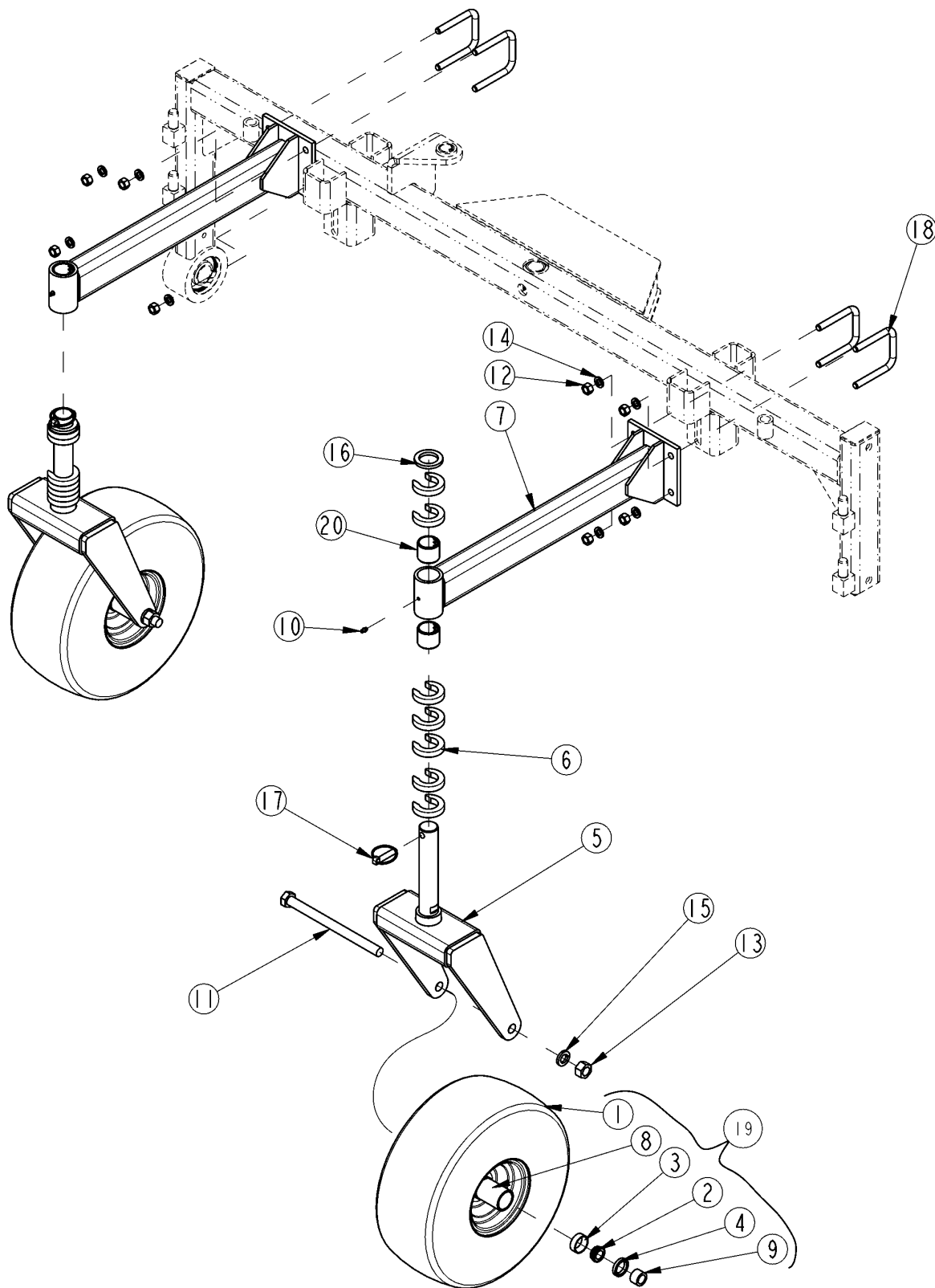
37717

Chain Case**Applies to AP-SR2672, AP-SR2690**

Ref	Part No.	Part Description	Comments	Revision
	Dwg 37717	Drawing Image Number		
1.	314-209D	UPPER SPLINE SPACER		
2.	314-258H	WMT. ACCESS COVER		
3.	314-274D	CAST CASE CVR MACHINED		
4.	314-276D	SKID SHOE FOR CAST CHAIN CASE		
5.	314-293D	CAST CASE MACHINED		
6.	321-020H	CHAIN TIGHTENER WELDMENT		
7.	321-065D	TUBE RND DOM. 5/8ODX17GWX11/32		
8.	321-067D	WASHER FLAT 3/8X2X10 GA		
9.	800-053C	SNAP RING INT3.523OD N5000-315		
10.	800-066C	DRAIN PLUG 3/4-16 UNF PLATED		
11.	800-118C	SNAP RING EXT 5/8 .050 T		
12.	802-014C	HHCS 3/8-16X3/4 GR5		
13.	802-078C	HHCS 1/4-20X5/8 GR5		
14.	802-079C	HHCS 3/8-16X1 1/4 GR5		
15.	802-091C	HHCS 1/2-13X1 1/2 GR5		
16.	802-128C	HHCS 1/2-13X2 GR5		
17.	802-160C	HHCS 5/8-11X3 1/4 GR5		
18.	802-470C	HSHCS 1/4-20X1 1/4		
19.	802-573C	HHCS 3/4-10X1 1/4 GR5		
20.	802-574C	HSHCS 1/4-20X1 1/2		
21.	803-024C	NUT LOCK 5/8-11 PLT		
22.	803-147C	NUT HEX NYLOCK 1/2-13		
23.	803-153C	NUT LT JAM 1 1/8-12 NYLN INSRT		
24.	803-169C	NUT HEX FLG. LOCK 1/2-13 PLT.		
25.	804-006C	WASHER LOCK SPRING 1/4 PLT		
26.	804-013C	WASHER LOCK SPRING 3/8 PLT		
27.	804-016C	WASHER FLAT 1/2 SAE PLT		
28.	804-023C	WASHER LOCK SPRING 3/4 PLT		
29.	804-094C	WASHER FLAT 1/2 HARD ASTMF436		
30.	807-183C	SPRING,TENSION .78X3.82X.09W		
31.	808-131C	SPKT 50-2 X 20T 16/32X21T SPLN		
32.	808-266C	SPKT 50-2 X 20T 12/24X14T SPLN		
33.	809-202C	CHAIN #50-2X98P HI TEN ENDLESS	AP-SR2672	
33.	809-298C	CHAIN #50-2X98P HI TEN ENDLESS	AP-SR2690	
34.	810-389C	HYD MOTOR EATON 4000	AP-SR2672	
34.	810-561C	HYD MOTOR EATON 4000-310	AP-SR2690	
35.	816-068C	SEAL 1.75 X 2.75 X .313		
36.	816-319C	MOTOR GASKET		
37.	N/A	SIKAFLEX 221 BLACK		
37.	816-417C	POWER RAKE GASKET		
38.	N/A	SIKAFLEX 221 BLACK		
38.	816-418C	ACCESS COVER GASKET		
39.	817-418C	UHMW 2 1/4ODX21/32IDX2 ROLLER		
40.	822-082C	BEARING 307		
41.	314-254A	SHIM PACK CHAIN CASE PR	As Required For Reassembly of Chain Case to Frame	
42.	821-045C	GRS SHELL GADUS S2 V22000 32OZ		

Gauge Wheels

Applies to AP-SR2672, AP-SR2690



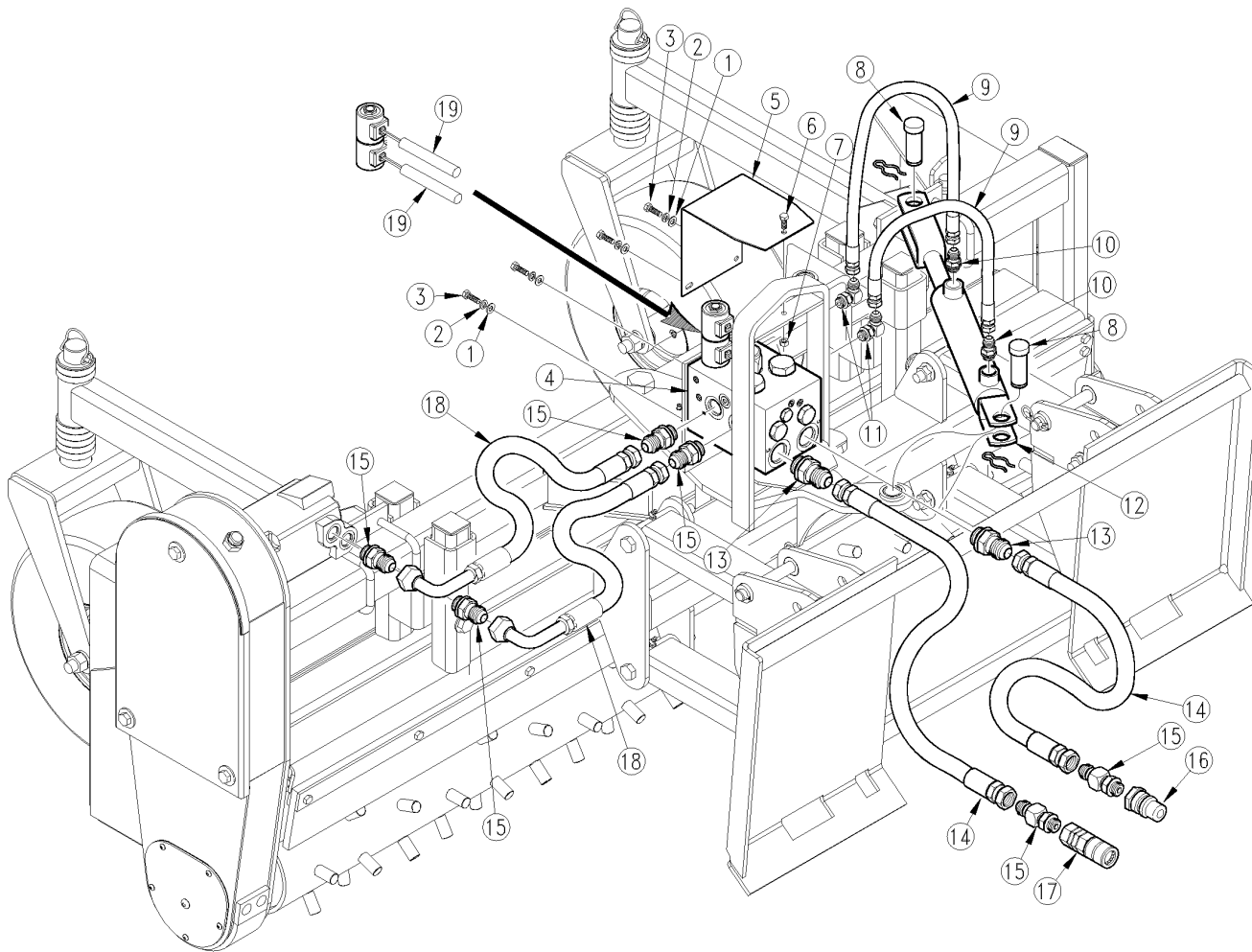
21382

Gauge Wheels**Applies to AP-SR2672, AP-SR2690**

Ref	Part No.	Part Description	Comments	Revision
	Dwg 21382	Drawing Image Number		
1.	13-304U	CARLISLE TIRE		
2.	30-437	CARLISLE BEARING CONE		
3.	30-438	CARLISLE BEARING CUP		
4.	30-439S2	CARLISLE SEAL		
5.	314-211H	GAUGE WHEEL YOKE WELD		
6.	315-733D	C SPACER COLLAR 1/2X1 17/32 ID		
7.	321-023H	GAUGE WHEEL ARM WELDMENT		
8.	50-015S6Y	CARLISLE RIM		
9.	53-170	CARLISLE SPACER		
10.	800-080C	GREASE ZERK 1/4-28 THD FORMING		
11.	802-272C	HHCS 3/4-10X10 GR5		
12.	803-020C	NUT HEX 1/2-13 PLT		
13.	803-027C	NUT HEX 3/4-10 PLT		
14.	804-015C	WASHER LOCK SPRING 1/2 PLT		
15.	804-023C	WASHER LOCK SPRING 3/4 PLT		
16.	804-202C	WASHER 2 1/4X1 17/32X1/4		
17.	805-341C	PIN LINCH 7/16 X 2		
18.	806-066C	U-BOLT 1/2-13 X 3 1/32 X 4	AP-SR2672	
18.	806-202C	U-BOLT 1/2-13X3 1/32X7 1/4	AP-SR2690	
19.	814-186C	TIRE 16.5 X 6.50-8 2PLY RIB		
20.	890-264C	BUSHING 1 3/4 X 1 1/2 X 1 1/2		

Hydraulic Arrangement

Applies to AP-SR2672, AP-SR2690



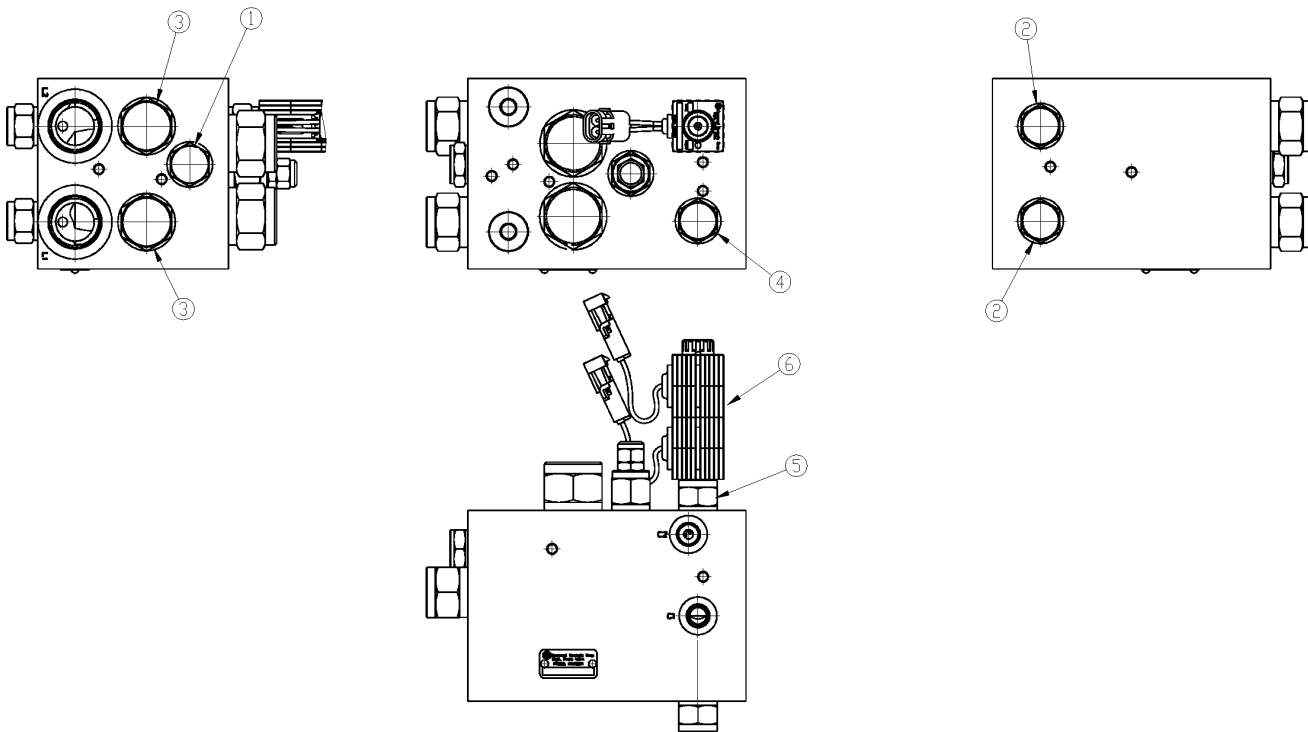
18521

Hydraulic Arrangement**Applies to AP-SR2672, AP-SR2690**

Ref	Part No.	Part Description	Comments	Revision
	Dwg 18521	Drawing Image Number		
1.	804-036C	WASHER FLAT 5/16 SAE PLT		
2.	804-009C	WASHER LOCK SPRING 5/16 PLT		
3.	802-159C	HHCS 5/16-18X1 GR5		
4.	810-736C	VALVE SR26 3500 PSI MANIFOLD	3500 PSI	
5.	321-013D	SR25 VALVE GUARD		
6.	802-007C	HHCS 5/16-18X3/4 GR5		
7.	803-011C	NUT LOCK 5/16-18 PLT		
8.	805-004C	PIN CLEVIS 1 X 2 3/4 USABLE LG		
9.	841-546C	HH3/8R2 020 9/16FJIC SLVNG		
10.	811-151C	AD 9/16MJIC 3/8MNPT	Used on Cylinder 810-005C	
10.	811-133C	AD 9/16MJIC 3/4MORB	Used on Cylinder 810-735C	
11.	811-065C	EL 9/16MJIC 9/16MORB		
12.	810-735C	CYL 2X8X1.125 WELDED	3500 PSI	
13.	811-567C	AD 1 1/16MJIC 1 5/16MORB		
14.	811-742C	HH5/8R2 059 1 1/16FJIC		
15.	811-408C	AD 1 1/16MORB 1 1/16MJIC		
16.	851-947C	CUP 1 1/16FORB MALE QUICK CPLR		
16.	811-744C	RPBY 851-947C	Obsolete	
17.	851-948C	CUP 1 1/16FORB FML QUICK CPLR		
17.	811-745C	RPBY 851-948C	Obsolete	
18.	811-743C	HH5/8R2 036 1 1/16FJIC1 (1 90)	AP-SR2672	
18.	841-104C	HH5/8R2 046 1 1/16FJIC1 (1 90)	AP-SR2690	
19.	990-296R	CORRUGATED LOOM, 3/8 ID		

Hydraulic Bypass Valve 3500 PSI (810-736C)

Applies to AP-SR2672, AP-SR2690



33227

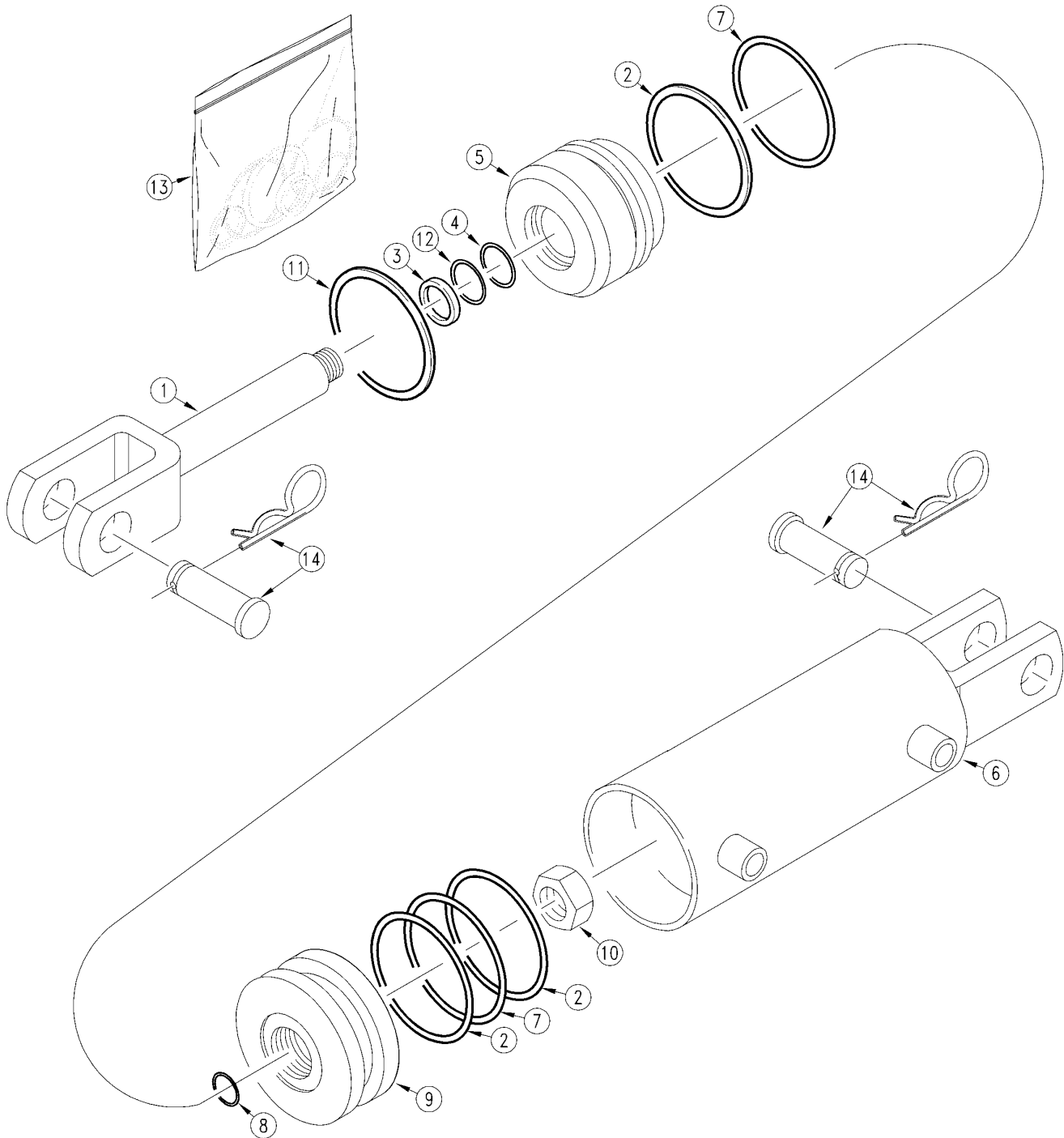
Hydraulic Bypass Valve 3500 PSI (810-736C)

Applies to AP-SR2672, AP-SR2690

Ref	Part No.	Part Description	Comments	Revision
	Dwg 33227 810-736C	Drawing Image Number VALVE SR26 3500 PSI MANIFOLD *		
1.	5205000004	BH SHUTTLE, 08		
2.	5205000114	BH CHECK, 08, 030-PSI		
3.	5205000146	BH CHECK, 12, 015-PSI		
4.	5205000232	BH CHECK, 08, DUAL P.O.		
5.	5206200024	BH SOLENOID, 08, 4W, SPOOL		
6.	5207200081	COIL KIT S 120C WTHR PACK, DBL		

Hydraulic Cylinder (810-005C)

Applies to AP-SR2672, AP-SR2690



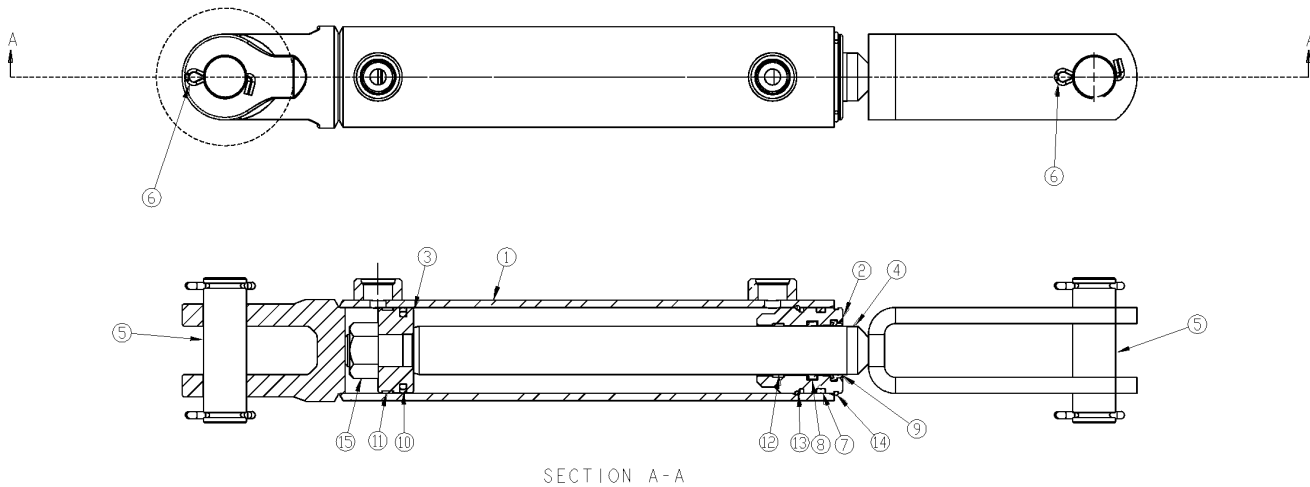
14078

Hydraulic Cylinder (810-005C)**Applies to AP-SR2672, AP-SR2690**

Ref	Part No.	Part Description	Comments	Revision
	Dwg 14078	Drawing Image Number		
	810-005C	CYL 2X8X1.12 ROD SINGLE ACTING *		
1.	0A002526	EGY ROD 1.125DIA W/C		
1.	A-2526	RPBY 0A002526	Obsolete	
2.		BACK-UP RING	Available in Seal Kit #13 Only.	
3.		WIPER ROD	Available in Seal Kit #13 Only.	
4.		O-RING 1 1/8" ID X 1 3/8" OD	Available in Seal Kit #13 Only.	
5.	A-1906	EGY PISTON ROD GUIDE		
6.	B-988	EGY CYLINDER BODY		
7.		O-RING 1 5/8" ID X 2" OD	Available in Seal Kit #13 Only.	
8.		O-RING 3/4" ID X 7/8" OD	Available in Seal Kit #13 Only.	
9.	A-1845	EGY PISTON		
10.	82464	EGY 7/8-14UNF REG HEX LOCK NUT		
11.	83198	EGY RETAINER RING INTERNAL		
12.		BACK-UP RING 1 3/8" OD	Available in Seal Kit #13 Only.	
13.	810-012C	CYL SEAL KIT 2 X 8 (ENERGY)		
14.	805-004C	PIN CLEVIS 1 X 2 3/4 USABLE LG		

Hydraulic Cylinder (810-735C)

Applies to AP-SR2672, AP-SR2690



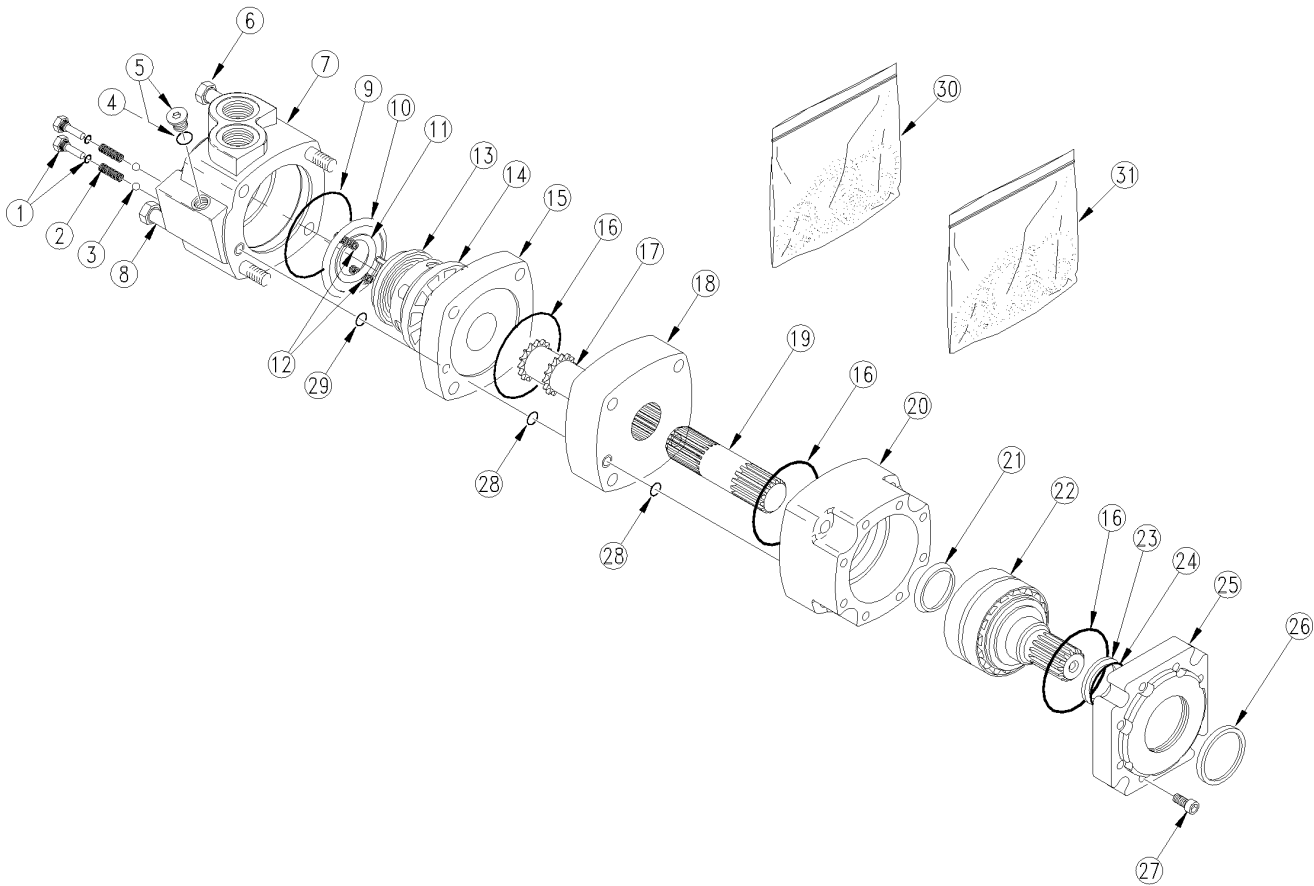
33228

Hydraulic Cylinder (810-735C)**Applies to AP-SR2672, AP-SR2690**

Ref	Part No.	Part Description	Comments	Revision
	Dwg 33228 810-735C	Drawing Image Number CYL 2X8X1.125 WELDED *		
1.	741803	MON TUBE WELDT 2.00-08.00-W		
2.	258753	MON CYL HEAD 2.00-1.13-WET-TSS		
3.	258851	MON PISTON 2.00-.75-TSS-ISO-WR		
4.	741805	MON ROD WELDT 1.13-08.00-.75-W		
5.	134953	LION PIN		
6.	135995	MON CLEVIS PIN COTTER		
7.	N/A	MON SEAL DUAL 2.00-.208		
8.	N/A	MON SEAL ZURCON U-CUP RU9 1.13		
9.	N/A	MON SEAL WIPER 1.13 WNUC TSS		
10.	N/A	MON SEAL ZURCON WYNSEAL 2.00		
11.	N/A	MON WEAR RING 2.00-1.88-0.260		
12.	N/A	MON WEAR RING 1.25-1.13-0.250		
13.	138006	MON RETAINING RING INT 2.00		
14.	138007	MON RETAINING RING EXT 2.00		
15.	130556	MON PISTON NUT		

Hydraulic Motor (810-389C)

Applies to AP-SR2672



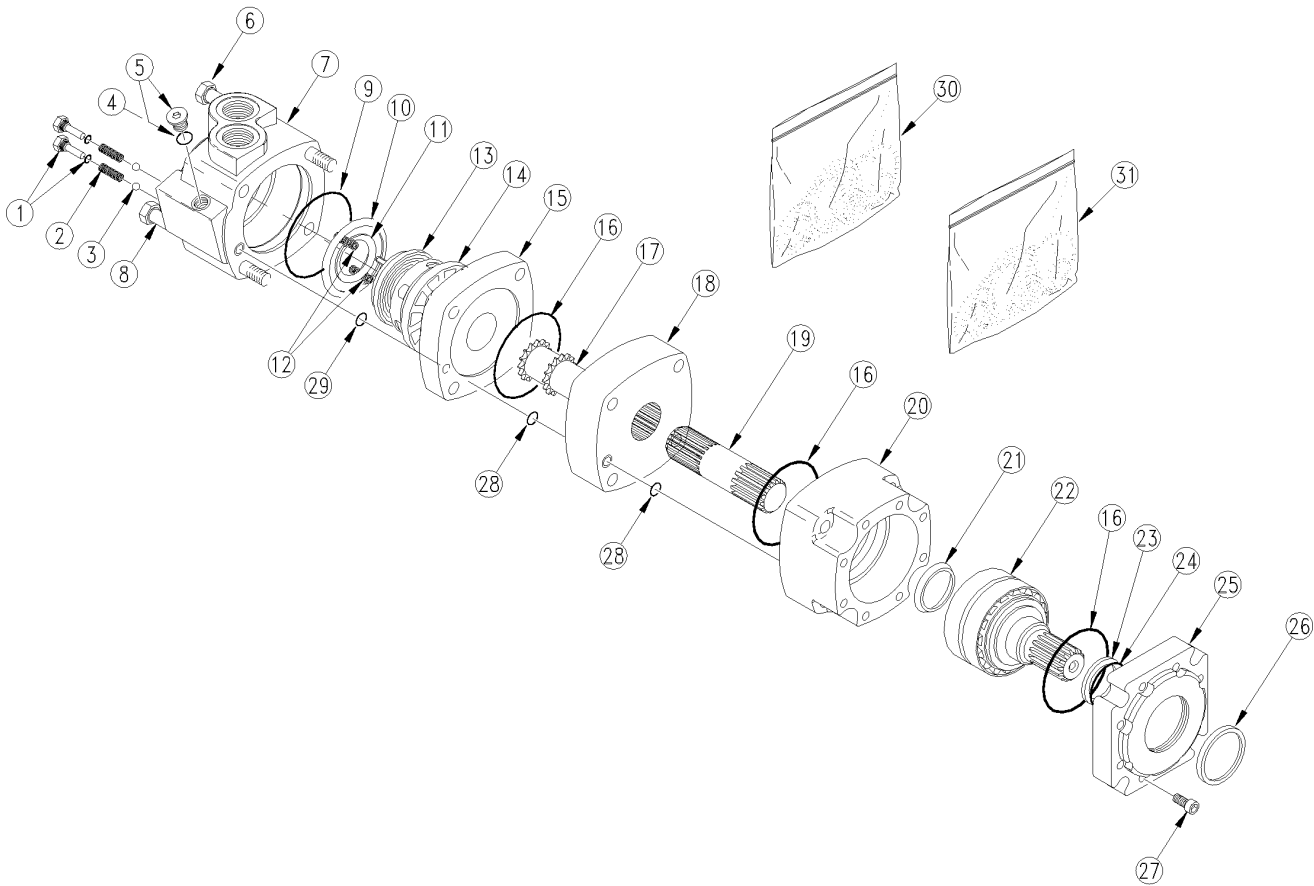
24528

Hydraulic Motor (810-389C)**Applies to AP-SR2672**

Ref	Part No.	Part Description	Comments	Revision
	Dwg 24528 810-389C	Drawing Image Number HYD MOTOR EATON 4000 15 CU IN *		
1.	8350-000	EATON PLUG SUB-ASSY		
2.	6464-000	EATON SPRING COMPRESSION		
3.	18026-000	EATON BALL STEEL		
4.		EATON O-RING	Found in seal kit item #30	
5.	9072-003	EATON PLUG SUB-ASSY		
6.	14386-007	EATON SCREW	1 Req'd	
7.	23382-003	EATON HOUSING VALVE SUB-ASSY		
8.	14386-005	EATON SCREW	3 Req'ed	
9.		EATON SEAL	Found in seal kit item #30	
10.		EATON SEAL OUTER	Found in seal kit item #30	
11.		EATON SEAL INNER	Found in seal kit item #30	
12.	6203-000	EATON SPRING COMPRESSION		
13.	21316-000	EATON BALANCING RING SUB-ASSY		
14.	8500-000	EATON VALVE		
15.	8504-000	EATON PLATE VALVE		
16.		EATON SEAL	Found in seal kit item #30 or #31	
17.	8510-000	EATON DRIVE VALVE		
18.	8464-005	EATON GEROLER SUB-ASSEMBLY		
19.	21372-003	EATON DRIVE MAIN		
20.	23170-002	EATON HOUSING BEARING		
21.		EATON SEAL SHAFT FACE	Found in seal kit item #31	
22.	23310-003	EATON SHAFT SUB-ASSEMBLY		
23.		EATON SEAL	Found in seal kit item #31	
24.		EATON RING BACKUP	Found in seal kit item #31	
25.	23171-002	EATON RETAINER FRONT		
26.		EATON SEAL EXCLUSION	Found in seal kit item #31	
27.	16292-100	EATON SCREW CAP		
28.		EATON SEAL	Found in seal kit item #30	
29.		EATON SEAL	Found in seal kit item #30	
30.	61234-000	EATON REAR SEAL KIT (810-389C)		
31.	61281-000	EATON SHAFT SEAL KIT (810-389C)		

Hydraulic Motor (810-561C)

Applies to AP-SR2690



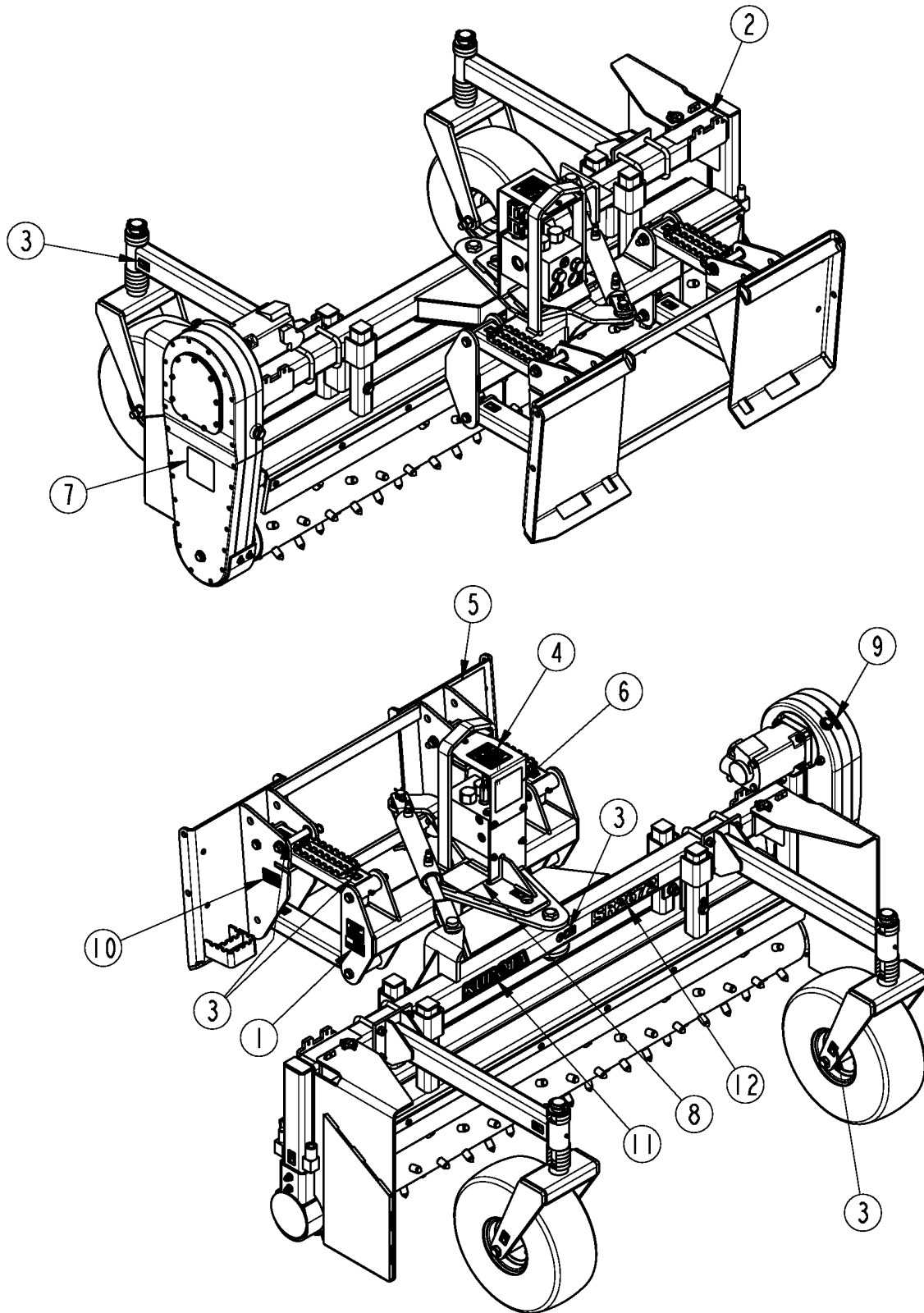
24528

Hydraulic Motor (810-561C)**Applies to AP-SR2690**

Ref	Part No.	Part Description	Comments	Revision
	Dwg 24528 810-561C	Drawing Image Number HYD MOTOR EATON 4000-310 (19 CU IN) *		
1.	8350-000	EATON PLUG SUB-ASSY		
2.	6464-000	EATON SPRING COMPRESSION		
3.	18026-000	EATON BALL STEEL		
4.		EATON O-RING	Found in seal kit item #30	
5.	9072-003	EATON PLUG SUB-ASSY		
6.	14386-009	SCREW	1 Req'd	
7.	23382-003	EATON HOUSING VALVE SUB-ASSY		
8.	14386-007	EATON SCREW	3 Req'd	
9.		EATON SEAL	Found in seal kit item #30	
10.		EATON SEAL OUTER	Found in seal kit item #30	
11.		EATON SEAL INNER	Found in seal kit item #30	
12.	6203-000	EATON SPRING COMPRESSION		
13.	21316-000	EATON BALANCING RING SUB-ASSY		
14.	8500-000	EATON VALVE		
15.	8504-000	EATON PLATE VALVE		
16.		EATON SEAL	Found in seal kit item #30 & 31	
17.	8510-000	EATON DRIVE VALVE		
18.	8464-006	GEROLER SUB-ASSEMBLY		
19.	21372-004	DRIVE, MAIN		
20.	23170-002	EATON HOUSING BEARING		
21.		EATON SEAL SHAFT FACE	Found in seal kit item #31	
22.	23310-003	EATON SHAFT SUB-ASSEMBLY		
23.		EATON SEAL	Found in seal kit item #31	
24.		EATON RING BACKUP	Found in seal kit item #31	
25.	23171-002	EATON RETAINER FRONT		
26.		EATON SEAL EXCLUSION	Found in seal kit item #31	
27.	16292-100	EATON SCREW CAP		
28.		EATON SEAL	Found in seal kit item #30	
29.		EATON SEAL	Found in seal kit item #30	
30.	61234-000	EATON REAR SEAL KIT		
31.	61281-000	EATON SHAFT SEAL KIT		

AP-SR2672 Label Placement

Applies to AP-SR2672



37719

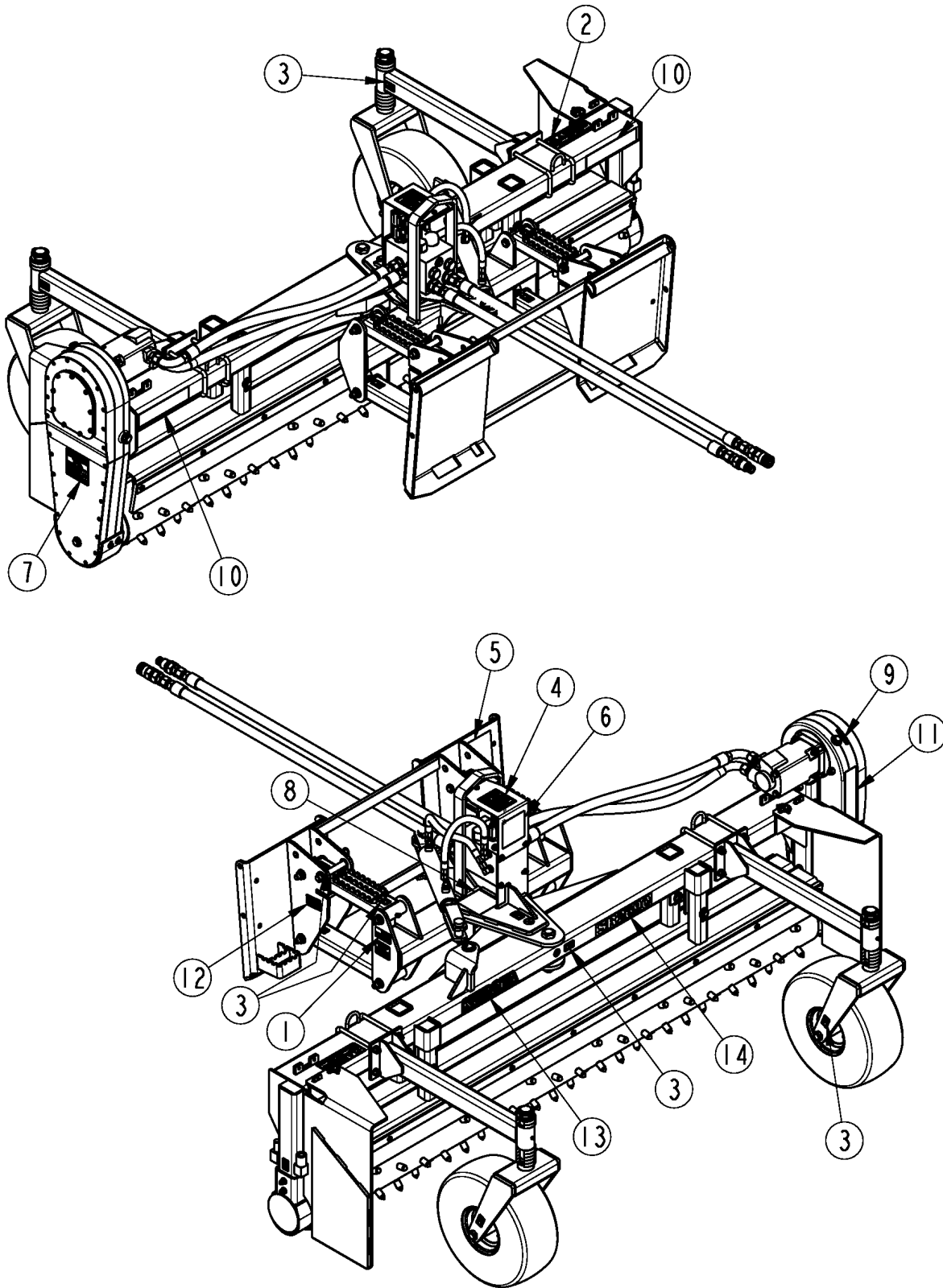
AP-SR2672 Label Placement

Applies to AP-SR2672

Ref	Part No.	Part Description	Comments	Revision
	Dwg 37719	DRAWING IMAGE NUMBER		
1.	818-190C	DECAL FLAG		
2.	818-254C	DECAL DANGER ROTATING ROLLER		
3.	818-298C	DECAL GREASE 25HRS BLACK/WHITE		
4.	818-339C	DECAL WARNING HIGH PRESSUR SML		
5.	838-106C	DECAL WARNING CRUSH ROCK RAKE		
6.	838-107C	DECAL DANGER THROWN OBJECT		
7.	838-111C	DECAL DANGER MOVING PARTS		
8.	818-798C	DECAL WARNING PINCH POINT GEN		
9.	838-415C	DECAL SHELL GADUS S2 V220 00		
10.	858-235C	DECAL CAUTION MACHINE DAMAGE		
11.	858-398C	DECAL KUBOTA 10"		
12.	858-478C	DECAL SR2672 WHITE		

AP-SR2690 Label Placement

Applies to AP-SR2690



37722

AP-SR2690 Label Placement**Applies to AP-SR2690**

Ref	Part No.	Part Description	Comments	Revision
	Dwg 37722	Drawing Image Number		
1.	818-190C	DECAL FLAG		
2.	818-254C	DECAL DANGER ROTATING ROLLER		
3.	818-298C	DECAL GREASE 25HRS BLACK/WHITE		
4.	818-339C	DECAL WARNING HIGH PRESSUR SML		
5.	838-106C	DECAL WARNING CRUSH ROCK RAKE		
6.	838-107C	DECAL DANGER THROWN OBJECT		
7.	838-111C	DECAL DANGER MOVING PARTS		
8.	818-798C	DECAL WARNING PINCH POINT GEN		
9.	838-415C	DECAL SHELL GADUS S2 V220 00		
10.	838-614C	DECAL REFLECTOR RED 2X9		
11.	838-615C	DECAL REFLECTOR AMBER 2X9		
12.	858-235C	DECAL CAUTION MACHINE DAMAGE		
13.	858-398C	DECAL KUBOTA 10"		
14.	858-479C	DECAL SR2690 WHITE		

Kubota Touch-up Paints

Applies to AP-SR2672, AP-SR2690

No diagram associated with this Parts List

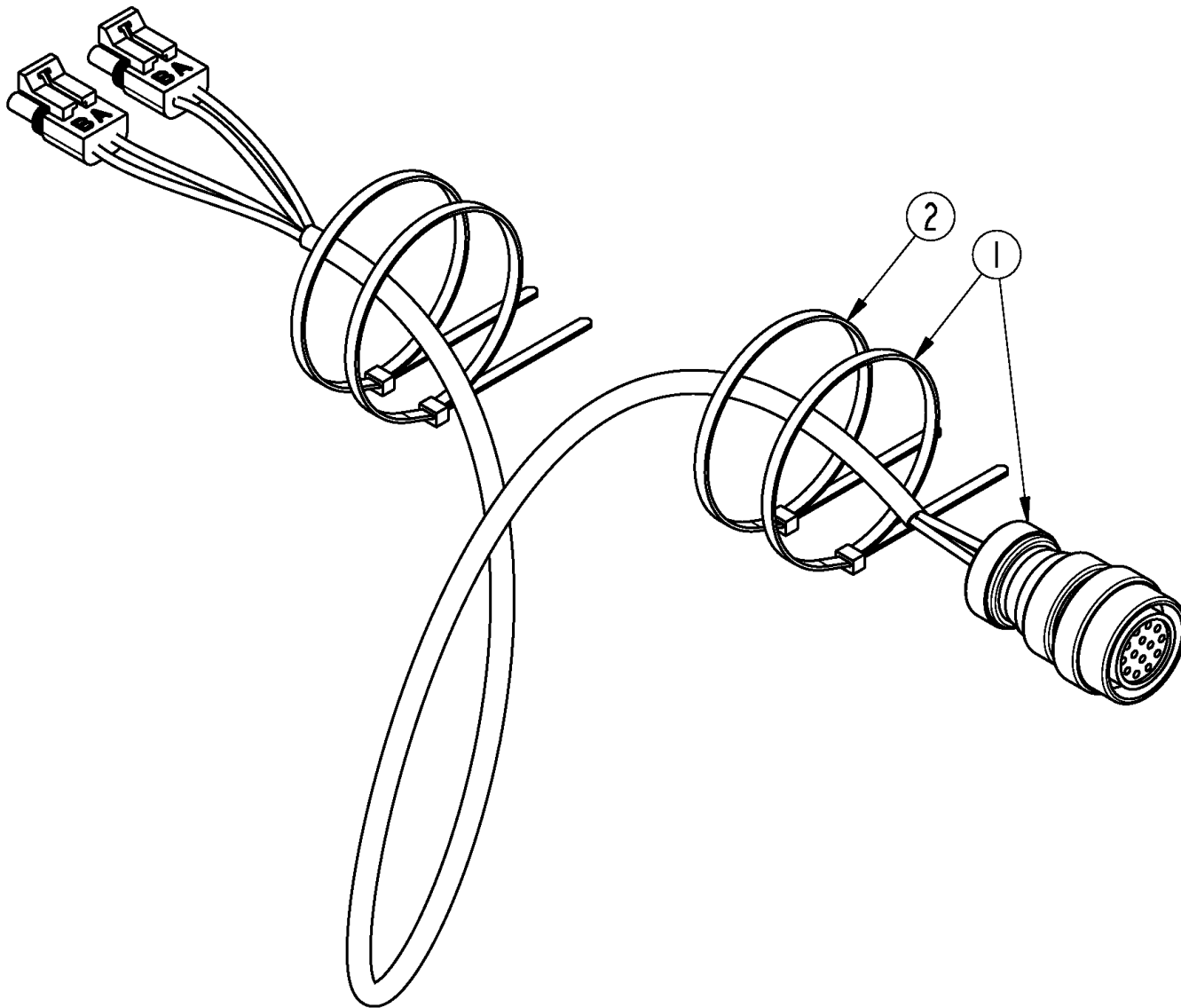
Kubota Touch-up Paints

Applies to AP-SR2672, AP-SR2690

Ref	Part No.	Part Description	Comments	Revision
1.	821-070C	GLOSS BLACK SPRAY CAN	All Products	
2.	821-070CTU	GLOSS BLACK TOUCH-UP 5OZ		
3.	821-070CQT	GLOSS BLACK QUART		
4.	821-070CGL	GLOSS BLACK GALLON		

Deutsch HD3014 Pin Plug 10 ft. Lg

Applies to AP-SR2672, AP-SR2690



37134

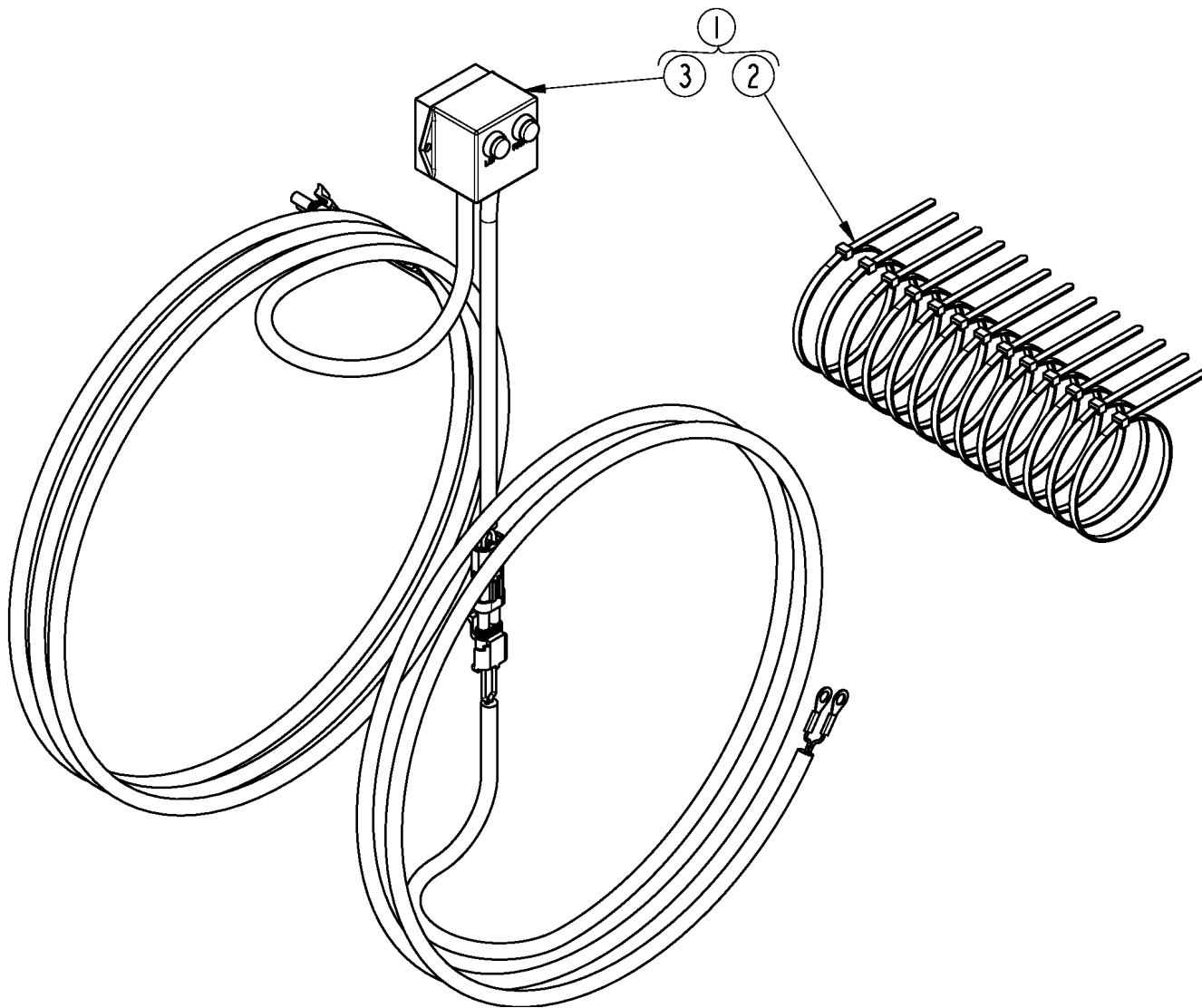
Deutsch HD3014 Pin Plug 10 ft. Lg

Applies to AP-SR2672, AP-SR2690

Ref	Part No.	Part Description	Comments	Revision
	Dwg 37134	Drawing Image Number		
1.	323-095A	DEUTSCH HD30 14 PIN PLUG 10'		
2.	800-060C	CABLE TIE .19X14.25 3DIA 50LB		
3.	823-303C	DEUTSCH HD30 14 PIN PLUG 10'		

Switch & Wire Harness

Applies to AP-SR2672, AP-SR2690



37136

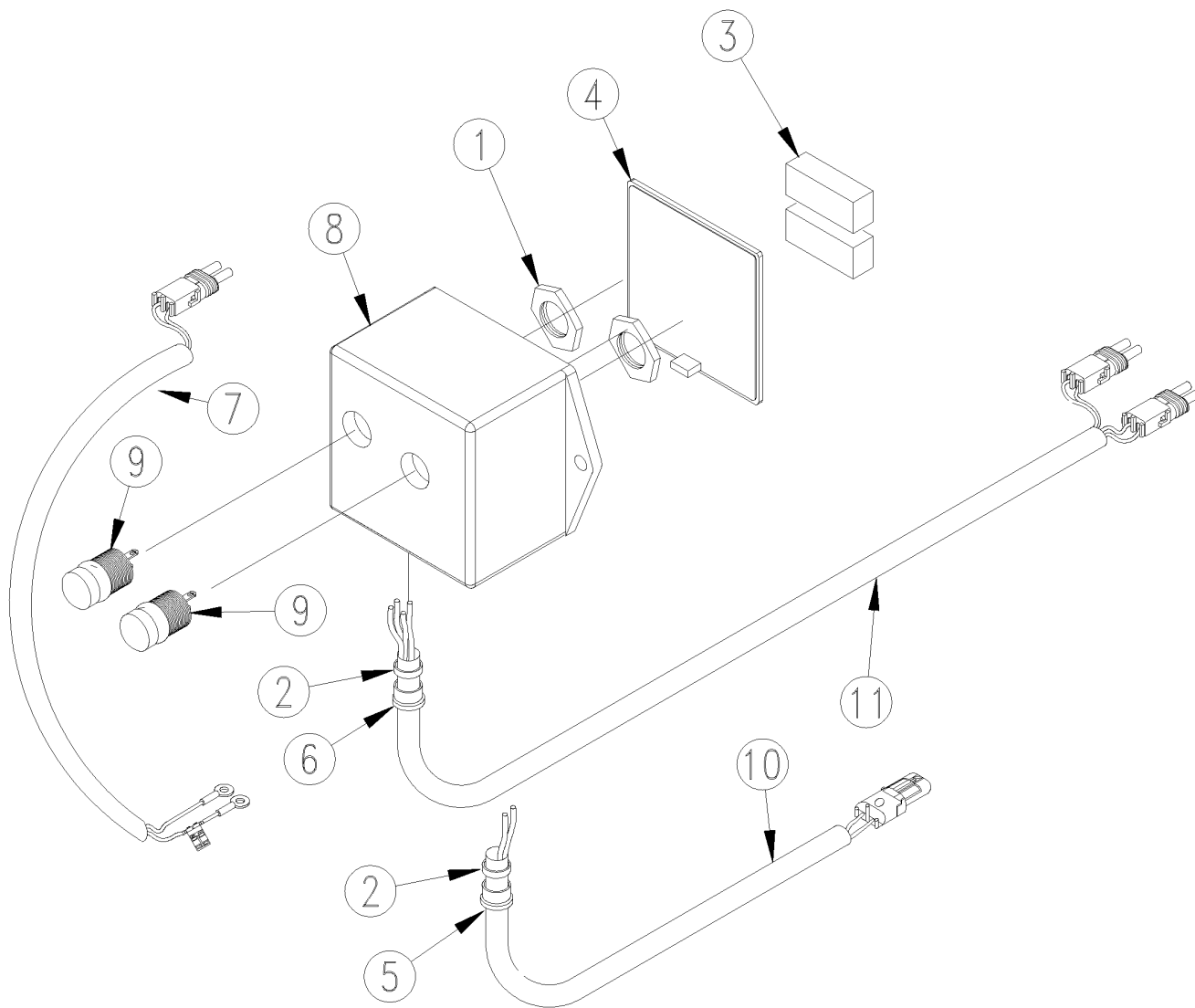
Switch & Wire Harness

Applies to AP-SR2672, AP-SR2690

Ref	Part No.	Part Description	Comments	Revision
	Dwg 37136	Drawing Image Number		
1.	323-097A	SWITCH & WIRE HARNESS		
2.	800-060C	CABLE TIE .19X14.25 3DIA 50LB		
3.	823-183C	SWITCH & WIRE HARNESS		

Switch & Wire Harness (823-183C)

Applies to AP-SR2672, AP-SR2690



27644

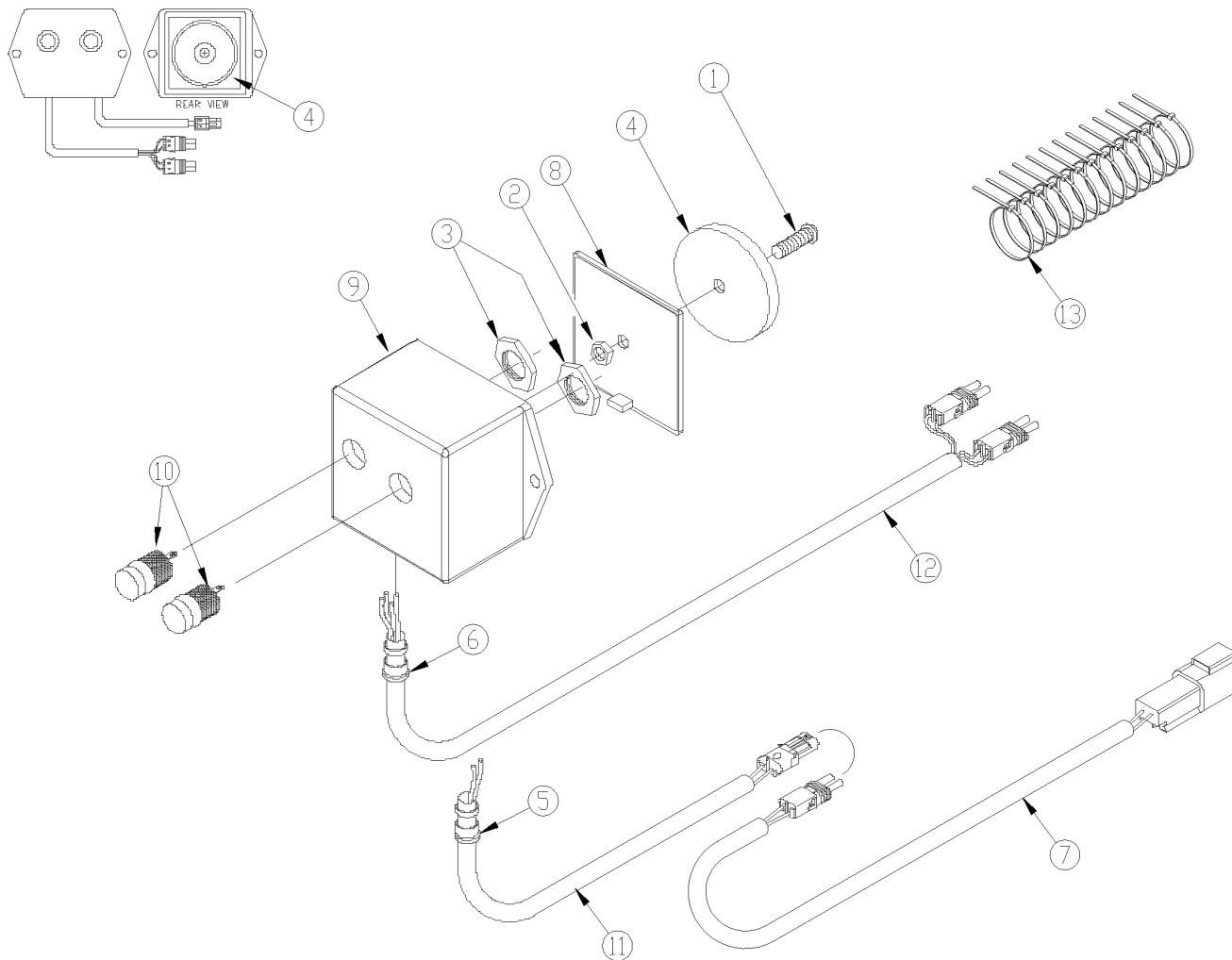
Switch & Wire Harness (823-183C)

Applies to AP-SR2672, AP-SR2690

Ref	Part No.	Part Description	Comments	Revision
	Dwg 27644 823-183C	Drawing Image Number SWITCH & WIRE HARNESS *		
1.	213-425	FASSE NUT JAM 15/32" BLK		
2.	800-303C	CABLE TIE 2 DIA MIN - BLK		
3.	219-082	FASSE MAG CERAMIC 1"X2"X.5"		
4.	251-031	FASSE ENCLOSED COVER 2X2		
5.	259-001	FASSE GROMMET .5000D SNAP		
6.	259-002	FASSE GROMMET .625OD SNAP		
7.	310-022	FASSE HRNSS 2 CON 15GA 2WPT /9		
8.	319-817	FASSE ENCL DRL 251030 4X1/2		
9.	319-895	FASSE SW ASSY PB MOM O R SW		
10.	320-046	FASSE HRNES 200N 16GA 2YPT/1.5		
11.	320-048	FASSE HRN 400N 16G 2X2 WPT/9.5		

Switch & Wire Harness (823-437C)

Applies to AP-SR2672, AP-SR2690



37132

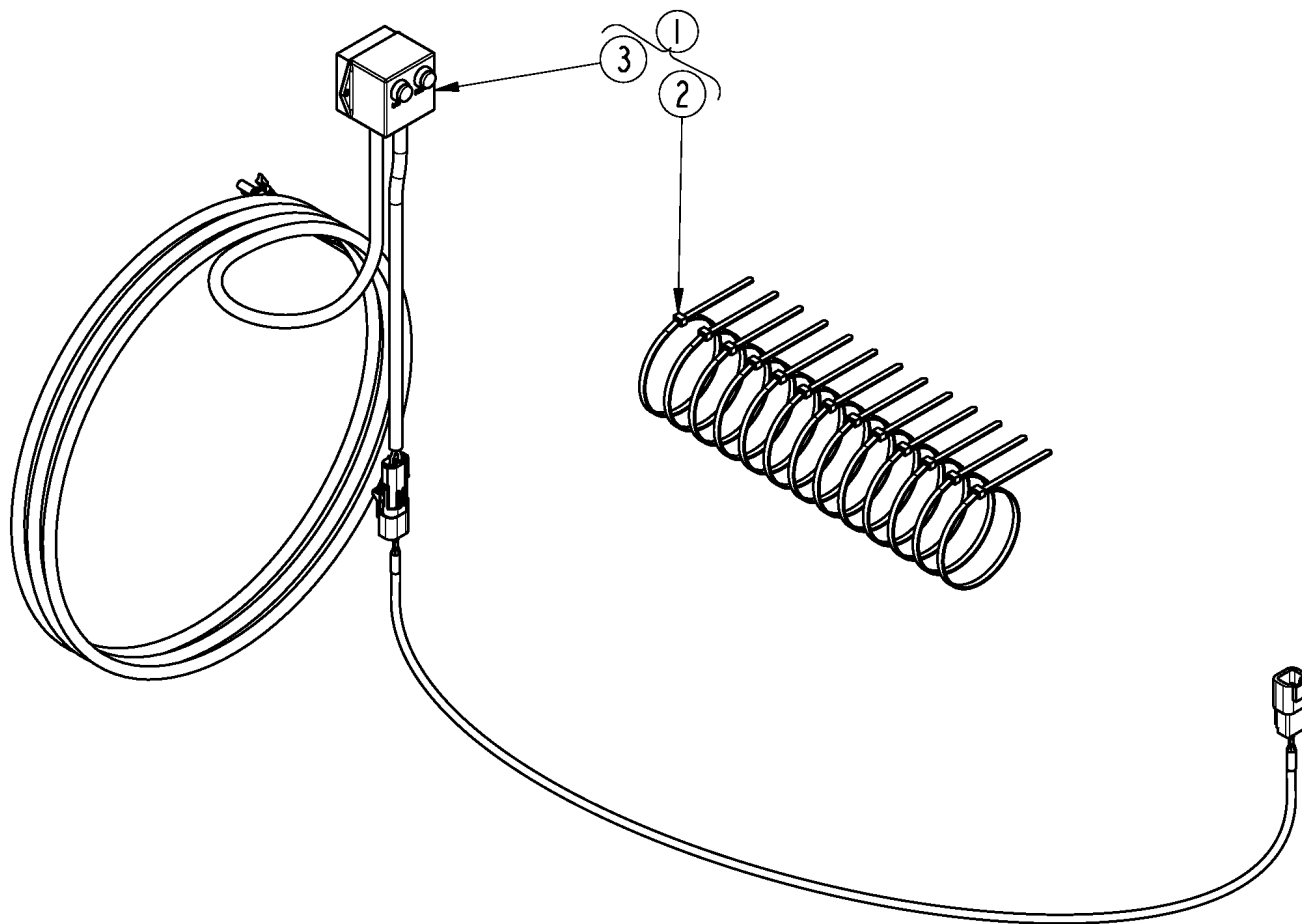
Switch & Wire Harness (823-437C)

Applies to AP-SR2672, AP-SR2690

Ref	Part No.	Part Description	Comments	Revision
	Dwg 37132 823-437C	Drawing Image Number SWITCH & WIRE HARNESS DTP PLUG *		
1.	212-122	FASSE SCREW #10-32X7/16" ZNC		
2.	212-123	FASSE HEX LOCKNUT NYLON #10-32		
3.	213-425	FASSE NUT JAM 15/32" BLK		
4.	219-096	FASSE MAG CERAMIC RNS 2.0" DIA		
5.	259-001	FASSE GROMMET .5000D SNAP		
6.	259-002	FASSE GROMMET .625OD SNAP		
7.	309-044	FASSE HRN DTP04-2P 14GA 2WPT/5		
8.	311-016	FASSE ENCL DRILL CVR 2X2 3/16"		
9.	319-817	FASSE ENCL DRL 251030 4X1/2		
10.	319-895	FASSE SW ASSY PB MOM O R SW		
11.	320-046	FASSE HRNES 200N 16GA 2YPT/1.5		
12.	320-048	FASSE HRN 400N 16G 2X2 WPT/9.5		

Switch & Wire Harness DTP Plug

Applies to AP-SR2672, AP-SR2690



37135

Switch & Wire Harness DTP Plug

Applies to AP-SR2672, AP-SR2690

Ref	Part No.	Part Description	Comments	Revision
	Dwg 37135	Drawing Image Number		
1.	323-096A	SWITCH & WIRE HARNESS DTP PLUG		
2.	800-060C	CABLE TIE .19X14.25 3DIA 50LB		
3.	823-437C	SWITCH & WIRE HARNESS DTP PLUG		



Part Number Index

The Part Number Index is a numeric index of all part numbers included in this manual. The index shows what page(s) the part is used on.

Part Number	Page	Part Number	Page	Part Number	Page	Part Number	Page
0A002526	25	321-075S	7	805-081C	9	858-398C	33, 35
13-304U	19	321-088H	9, 11	805-088C	9	858-478C	33
130556	27	321-089H	9, 11	805-126C	9, 11	858-479C	35
134953	27	323-095A	39	805-143C	7	890-005C	7, 9
135995	27	323-096A	47	805-300C	7	890-011C	9, 11
138006	27	323-097A	41	805-341C	19	890-264C	19
138007	27	50-015S6Y	19	806-066C	19	9072-003	29, 31
14386-005	29	5205000004	23	806-202C	19	990-085R	7
14386-007	29, 31	5205000114	23	807-183C	17	990-296R	21
14386-009	31	5205000146	23	808-131C	17	A-1845	25
16292-100	29, 31	5205000232	23	808-266C	17	A-1906	25
18026-000	29, 31	5206200024	23	809-202C	17	A-2526	25
212-122	45	5207200081	23	809-298C	17	B-988	25
212-123	45	53-170	19	810-005C	25	Dwg 14078	25
213-425	43, 45	61234-000	29, 31	810-012C	25	Dwg 18521	21
21316-000	29, 31	61281-000	29, 31	810-389C	17, 29	Dwg 21376	7
21372-003	29	6203-000	29, 31	810-561C	17, 31	Dwg 21378	9
21372-004	31	6464-000	29, 31	810-735C	21, 27	Dwg 21382	19
219-082	43	741803	27	810-736C	21, 23	Dwg 24512	11
219-096	45	741805	27	811-065C	21	Dwg 24528	29, 31
23170-002	29, 31	800-053C	17	811-133C	21	Dwg 27644	43
23171-002	29, 31	800-060C	39, 41, 47	811-151C	21	Dwg 33227	23
23310-003	29, 31	800-066C	17	811-408C	21	Dwg 33228	27
23382-003	29, 31	800-080C	7, 9, 11, 19	811-567C	21	Dwg 37132	45
251-031	43	800-118C	17	811-742C	21	Dwg 37134	39
258753	27	800-136C	7	811-743C	21	Dwg 37135	47
258851	27	800-303C	43	811-744C	21	Dwg 37136	41
259-001	43, 45	800-309C	9, 11	811-745C	21	Dwg 37716	13
259-002	43, 45	802-007C	21	814-186C	19	Dwg 37717	17
30-437	19	802-014C	17	816-068C	17	Dwg 37719	33
30-438	19	802-022C	13, 15	816-319C	17	Dwg 37720	15
30-439S2	19	802-024C	9, 11	816-417C	17	Dwg 37722	35
309-044	45	802-078C	17	816-418C	17	N/A	17, 27
310-022	43	802-079C	17	817-395C	13		
311-016	45	802-091C	17	817-418C	17		
314-209D	17	802-128C	17	817-652C	15		
314-211H	19	802-159C	21	818-190C	33, 35		
314-244H	15	802-160C	13, 15, 17	818-254C	33, 35		
314-254A	17	802-205C	9, 11	818-298C	33, 35		
314-258H	17	802-254C	7	818-339C	33, 35		
314-274D	17	802-272C	19	818-798C	33, 35		
314-276D	17	802-470C	17	821-045C	17		
314-293D	17	802-573C	17	821-070C	37		
314-315D	15	802-574C	17	821-070CGL	37		
314-321D	13, 15	803-011C	21	821-070CQT	37		
315-733D	19	803-013C	13, 15	821-070CTU	37		
319-817	43, 45	803-014C	9, 11	822-082C	17		
319-895	43, 45	803-020C	19	822-182C	9, 11		
320-046	43, 45	803-024C	17	823-183C	41, 43		
320-048	43, 45	803-027C	19	823-303C	39		
321-001H	7	803-031C	9, 11	823-437C	45, 47		
321-002H	7	803-147C	17	82464	25		
321-003H	7	803-153C	17	83198	25		
321-008S	7	803-169C	17	8350-000	29, 31		
321-011D	7	803-263C	7	838-106C	33, 35		
321-011H	13	803-304C	13, 15	838-107C	33, 35		
321-012H	9	804-006C	17	838-111C	33, 35		
321-013D	21	804-009C	21	838-415C	33, 35		
321-014H	9, 11	804-012C	9, 11	838-614C	35		
321-020H	17	804-013C	9, 11, 17	838-615C	35		
321-023H	19	804-015C	19	841-104C	21		
321-036S	7	804-016C	17	841-546C	21		
321-052H	13	804-021C	13, 15	8464-005	29		
321-056H	11	804-023C	17, 19	8464-006	31		
321-061H	15	804-027C	9, 11	8500-000	29, 31		
321-063D	9, 11	804-036C	21	8504-000	29, 31		
321-065D	17	804-094C	17	851-947C	21		
321-067D	17	804-202C	19	851-948C	21		
321-074D	13	805-004C	21, 25	8510-000	29, 31		
321-074H	7	805-068C	7	858-235C	33, 35		

This Page Intentionally Left Blank



KUBOTA TRACTOR CORPORATION

1000 Kubota Drive, Grapevine, TX 76051

Telephone: (817) 756-1171

Western Division: 1175 S. Guild Ave., Lodi, CA 95240
Telephone: (209) 334-9910

Central Division: 14855 FAA Blvd., Fort Worth, TX 76155
Telephone: (817) 571-0900

Northern Division: 6300 at One Kubota Way, Groveport, OH 43125
Telephone: (614) 835-1100

Southeast Division: 1025 Northbrook Parkway, Suwanee, GA 30024
Telephone: (770) 995-8855

www.kubota.com
