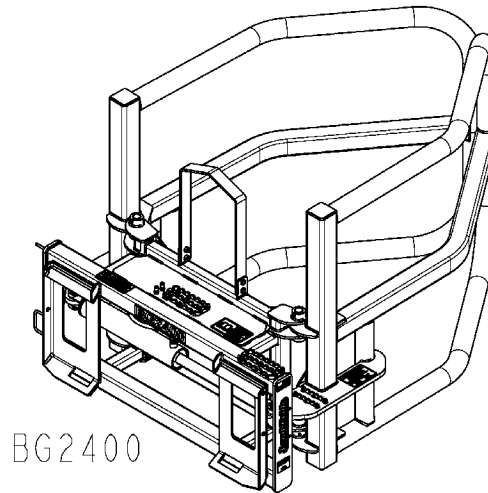
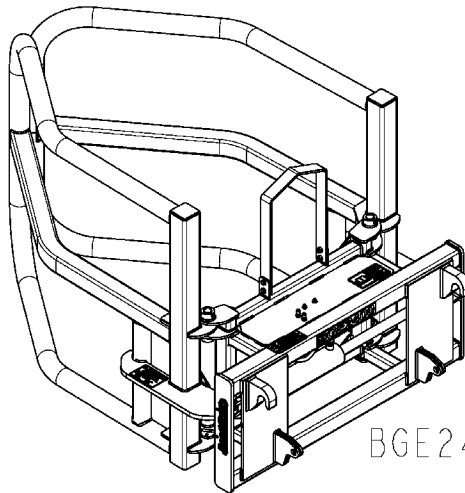


Bale Grabber

BG2400 & BGE2400



BG2400



BGE2400

70352

319-173P **Parts Manual**



Read the Operator's Manual entirely. When you see this symbol, the subsequent instructions and warnings are serious - follow without exception. Your life and the lives of others depend on it!

© Copyright 2018 Printed 07/10/18

Cover photo may show optional equipment not supplied with standard unit.





Table of Contents

Section 1: Introduction.....	4
Using This Manual.....	4
Manual Replacement Information.....	4
Manual Revisions.....	4
Touch-up Paint.....	4
Hardware Legend.....	5
Replacement Hardware.....	5
Serial Numbers.....	5
Part Number Service Coding.....	5
Section 2: Frames.....	6
Arm Frames.....	6
BG2400 Hitch Frame.....	8
BGE2400 Hitch Frame.....	10
Section 3: Hydraulics.....	12
Cylinder & Hose Bundle.....	12
Cylinder Hose & Valve Bundle.....	14
Hydraulic Cylinder (850-244C) Monarch.....	16
Section 4: Options.....	18
Skid Steer Hose Kit.....	18
Third Function Hose Kit.....	20
Tractor Hose Kit S/N _____ +.....	22
Tractor Hose Kit S/N _____ -.....	24
Section 5: Decals.....	26
BG2400 Decal Placement.....	26
BGE2400 Decal Placement.....	28
Part Number Index.....	30

© Copyright 2018. All rights reserved.

Land Pride provides this publication “as is” without warranty of any kind, either expressed or implied. While every precaution has been taken in the preparation of this manual, Land Pride assumes no responsibility for errors or omissions. Neither is any liability assumed for damages resulting from the use of the information contained herein. Land Pride reserves the right to revise and improve its products as it sees fit. This publication describes the state of this product at the time of its publication, and may not reflect the product in the future. The illustrations in this manual are not intended for safe and proper assembly or disassembly of equipment. The illustrations are intended for ordering parts only.

Land Pride is registered trademark.

All other brands and product names are trademarks or registered trademarks of their respective holders.

Printed in the United States of America.



Alphabetized Table of Contents

A	
Arm Frames.....	6
B	
BG2400 Decal Placement.....	26
BG2400 Hitch Frame.....	8
BGE2400 Decal Placement.....	28
BGE2400 Hitch Frame.....	10
C	
Cylinder & Hose Bundle.....	12
Cylinder Hose & Valve Bundle.....	14
H	
Hydraulic Cylinder (850-244C) Monarch.....	16
S	
Skid Steer Hose Kit.....	18
T	
Third Function Hose Kit.....	20
Tractor Hose Kit S/N _____ +.....	22
Tractor Hose Kit S/N _____ -.....	24

General Information

Using This Manual

This manual is divided into sections. The first section contains General Information. The remaining sections divide the machine into segments (i.e. Frames, Drives, Hydraulics, etc.) which illustrate and list all parts. A Parts Number Index is located at the back of the book.

The Land Pride parts in this manual are specially designed for this machine and should be replaced with Land Pride parts only.

The information in this manual is current at time of printing. Some parts may change to assure top performance.

Right-hand and left-hand as used in this manual are determined by facing the direction the machine will travel while in use.

Below is an example of two facing pages from a parts manual. Familiarize yourself with the type of information contained on these pages.

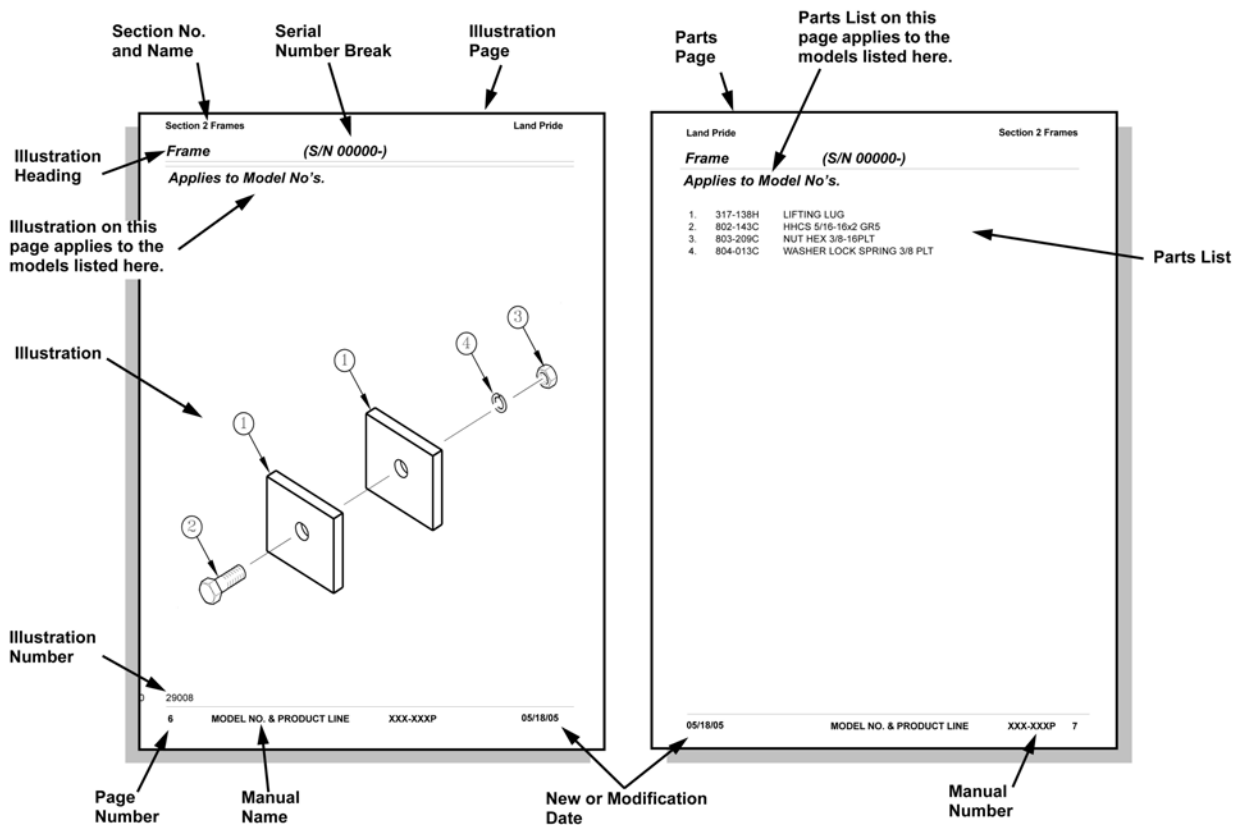
Manual Replacement Information

Replacement manuals are available. Refer to our website at www.landpride.com or e-mail us at lit@landpride.com for additional information. Our website continues to provide the most up-to-date manuals available.

Touch-up Paint

Repaint parts where paint is worn or scratched to prevent rust. Aerosol cans and touch-up bottles with brush applicator are available through your local dealer. Also available are quart and gallon size paints. Add QT or GL to end of the Aerosol P/N.

Land Pride color descriptions and part numbers are listed on the "Land Pride Touch-up Paints" page in the "Decals" section of this book. Color options vary by product.



General Information

Hardware Legend

AR	As Required
BLADE	Blade Bolt
C	Cap Screw
CP	Cotter Pin
CPHSSS	Cup Point Hex Socket Set Screw
CPSHSS	Cup Point Square Head Set Screw
CPSQHSS	Cup Point Square Head Set Screw
CRFCHMS3	Cross Recess Flat Countersunk Head Machine Screw
CRPHMS	Cross Recess Pan Head Machine Screw
CRPHTF	Cross Recess Pan Head Thread Forming
CRRHMS	Cross Recess Round Head Machine Screw
CRTHMS	Cross Recess Truss Head Machine Screw
CSNB	Countersunk Square Neck Bolt
FHMS	Flat Head Machine Screw
FTC	Full Thread Cap Screw
H	Hex Nut
HCLN	Hex Center Lock Nut
HFLCS	Hex Flange Lock Cap Screw
HFS	Hex Flange Screw
HFSLN	Hex Flange Serrated Lock Nut
HFSS	Hex Flange Serrated Screw
HHCS	Hex Head Cap Screw or Metric Bolt
HSBHCS	Hex Socket Button Head Cap Screw
HSFCHCS	Hex Socket Flat Countersunk Head Cap Screw
HSHCS	Hex Socket Head Cap Screw
HSSS	Hex Socket Head Screw
HTLN	Hex Top Lock Nut
HWHCS	Hex Washer Head Cap Screw

HWHMS	Hex Washer Head Machine Screw
HXBHCS	Hex Socket Button Head Cap Screw
J	Hex Jam Nut
JIC	37 Degree Tapered Thread
L	Helical Spring Lock Washer
LUG	Lug Bolt
NFC	National Fine Cap Screw
NPSM	National Pipe Straight Mechanical
NPTF	National Pipe Taper Fuel
P	Wide Plain Washer
PHMS	Pan Head Machine Screw
PLOW	Plow Bolt
RHMS	Round Head Machine Screw
RHSNB	Round Head Square Neck Bolt
SCREW LEVELING	Leveling Screw
SCREW THUMB	Thumb Screw
SCREW WELD	Weld Screw
SFCHMS	Slotted Flat Countersunk Head Machine Screw
SFHMS	Slotted Fillister Head Machine Screw
SP	Special
SP SCREW	Special Screw
SOHSS	Square Head Set Screw
SRHMS	Slotted Round Head Machine Screw
SSS	Socket Set Screw
STCS	Self Tapping Cap Screw
STHMS	Slotted Truss Head Machine Screw
WHEEL	Wheel Studs and Hub Long Bolts
WING	Wing Bolt

Replacement Hardware

The **Hardware Legend** above lists hardware abbreviations used in the parts list. All bolts and nuts are Grade 5 unless otherwise noted. The use of improper grades of hardware can result in personal injury, damage to equipment, or loss of property.

Colored Replacement Parts

Land Pride offers replacement parts in factory standard colors and also on select models in Green, Orange, Red and Blue. Because of the variety of colors available, special attention must be given to the part number to prevent ordering the wrong replacement part.

A suffix number corresponding to one of the colors below must be added at the end of Land Pride's part number when ordering a replacement part with that color.

81 Green 83 Red
82 Orange 84 Blue

For example, if you are ordering a replacement part with part number 555-555C and the part you need is red, then add the suffix 83 to the end of the number to make the part number read 555-555C83. Parts ordered without a suffix number will be supplied in factory standard colors.

Black Replacement Parts

Some parts are factory standard black and some must be special ordered black. If your part is special ordered black, a second part number with the additional suffix number 85 on the end will be available. In this situation you must order that part with the suffix number for it to be black. Parts that are factory standard black will not have the suffix number.

Part Number Service Coding

Within the parts list some part numbers are coded for revisions and interchangeability. See notations in revision column.

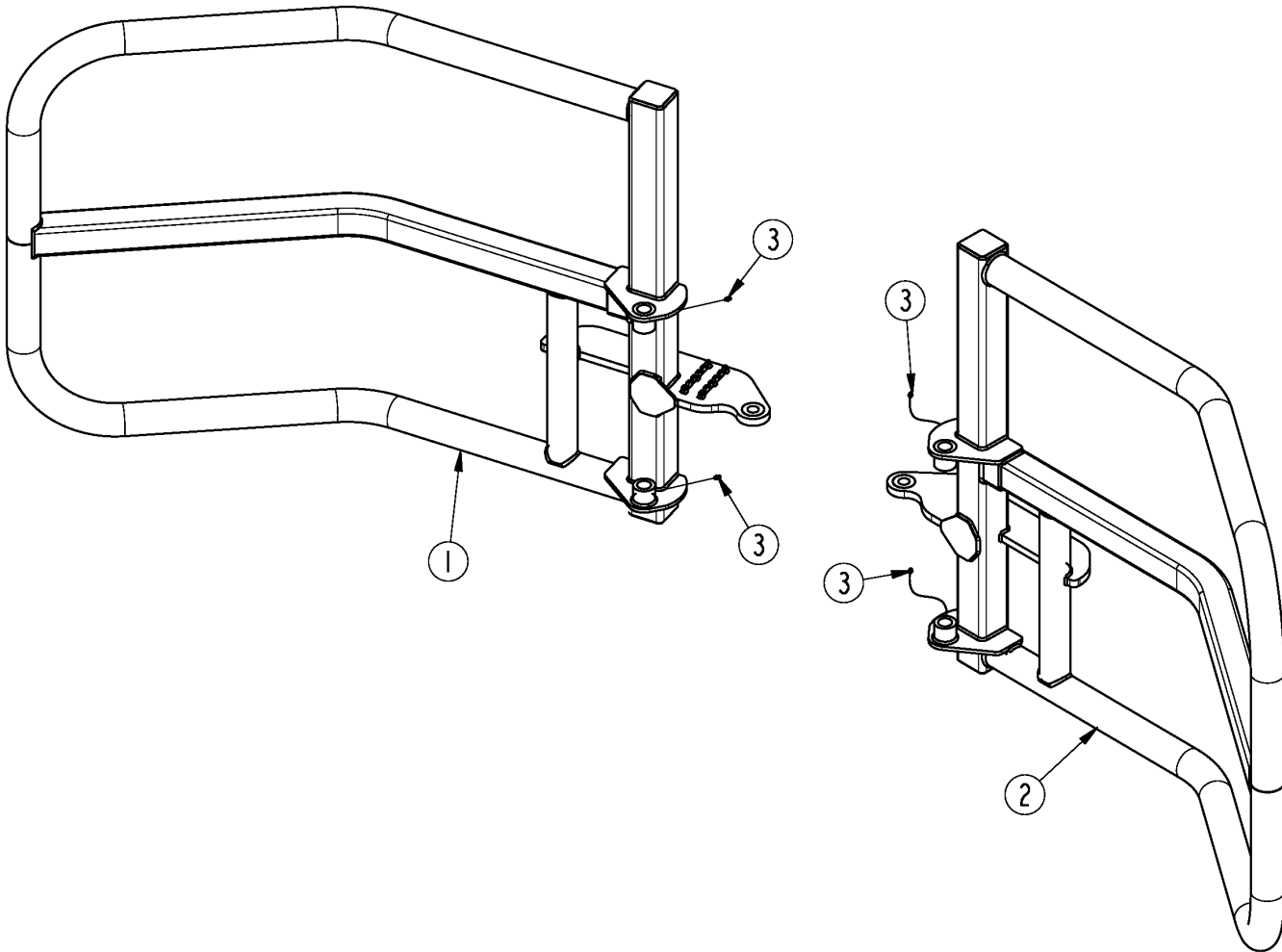
Serial Numbers

Always use the serial and model number when ordering parts. Refer to the Operator's Manual for serial number plate location.

- | | |
|----------------------|--|
| (S/N 20001+) | Includes serial numbers 20001 and above (to the latest number) |
| (S/N 10001 to 20000) | Includes serial numbers between and including 10001 and 20000 |
| (S/N 10000-) | Includes serial numbers 10000 and below (to the earliest number) |

Arm Frames

Applies to BG2400, BGE2400



70340

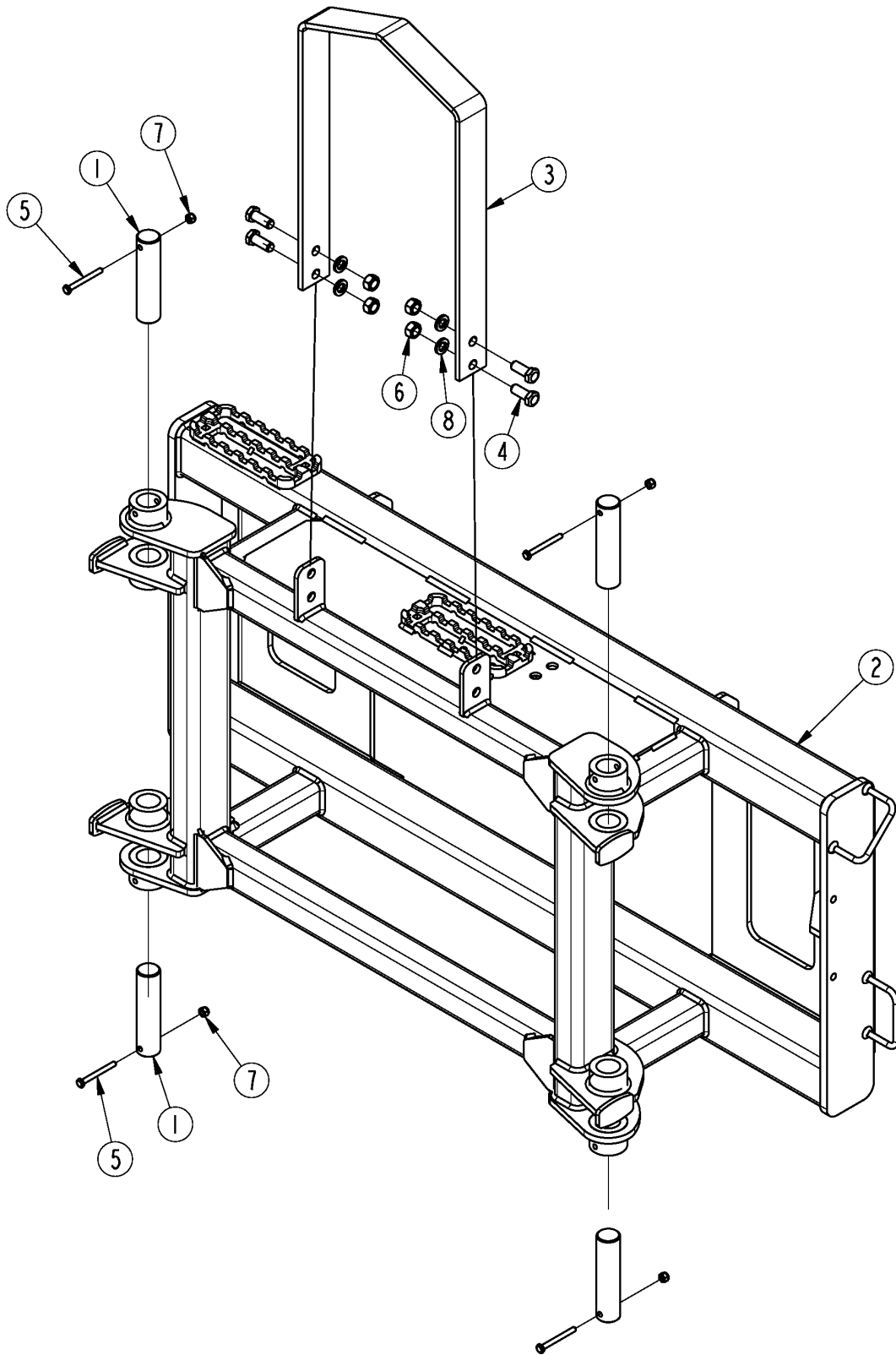
Arm Frames

Applies to BG2400, BGE2400

Ref	Part No.	Part Description	Comments	Revision
	Dwg 70340	Image No.		
1.	319-169H	RIGHT ARM		
2.	319-170H	LEFT ARM		
3.	800-001C	GREASE ZERK STRAIGHT 1/4-28		

BG2400 Hitch Frame

Applies to BG2400



70339

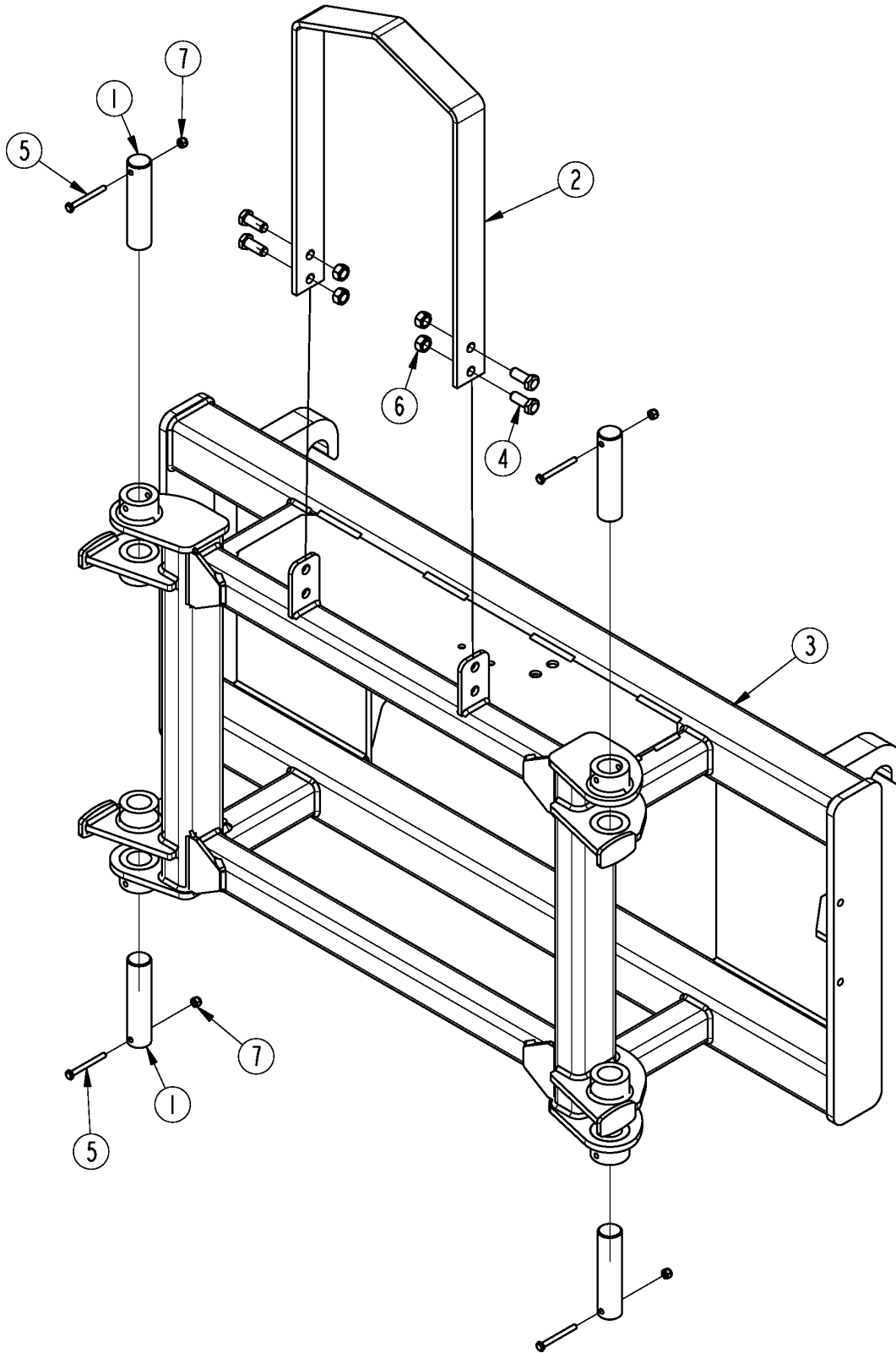
BG2400 Hitch Frame

Applies to BG2400

Ref	Part No.	Part Description	Comments	Revision
	Dwg 70339	Image No.		
1.	319-140D	PIN PVT 1.25X4.67 USBL		
2.	319-156H	BG2400 FRAME WELDMENT		
3.	319-164D	BG BACK STOP		
4.	802-034C	HHCS 1/2-13X1 1/4 GR5		
5.	802-097C	HHCS 1/4-20X2 1/2 GR5		
6.	803-020C	NUT HEX 1/2-13 PLT		
7.	803-255C	NUT HEX NYLOCK 1/4-20		
8.	804-015C	WASHER LOCK SPRING 1/2 PLT		

BGE2400 Hitch Frame

Applies to BGE2400



70349

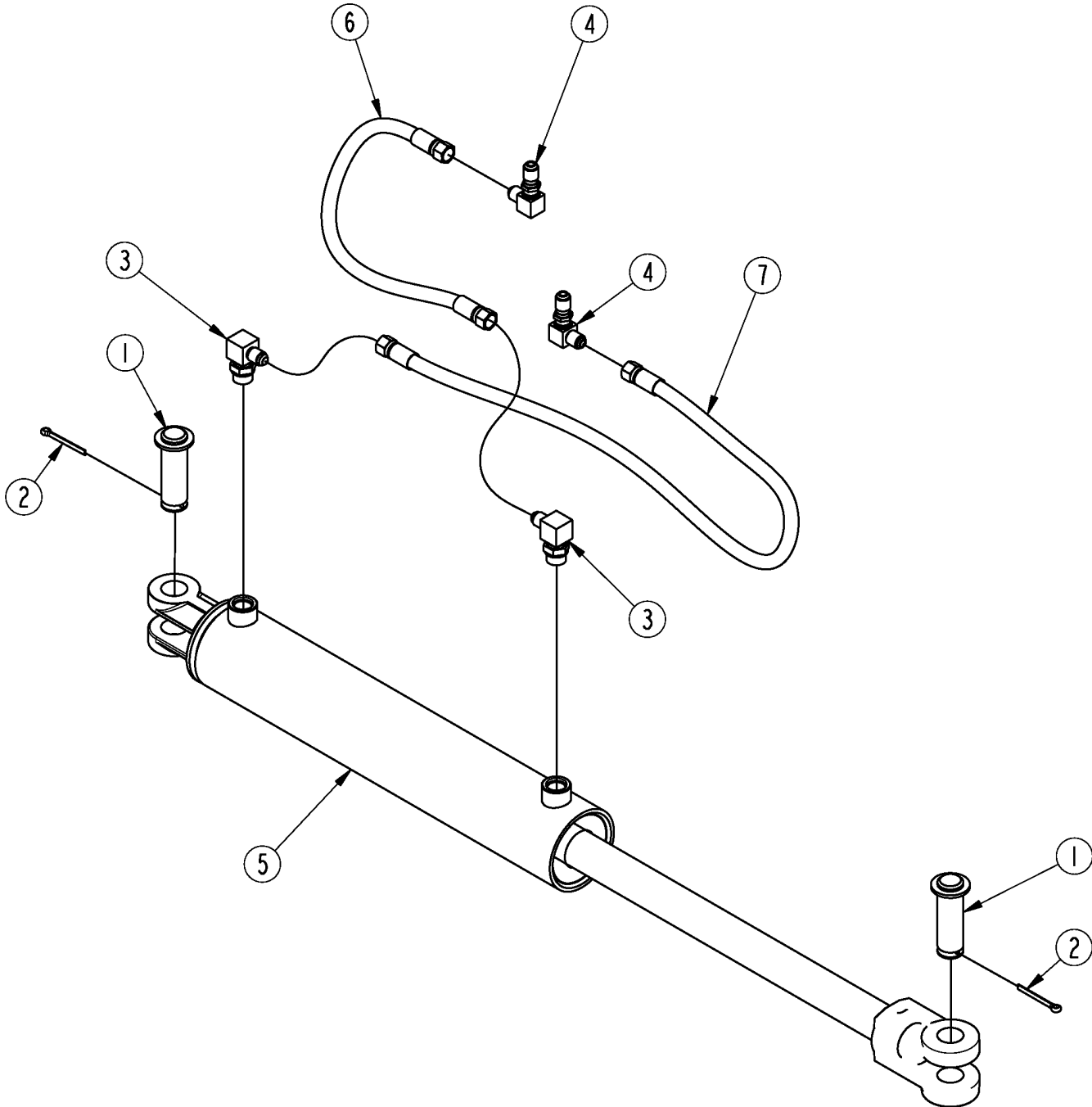
BGE2400 Hitch Frame

Applies to BGE2400

Ref	Part No.	Part Description	Comments	Revision
	Dwg 70349	Image No.		
1.	319-140D	PIN PVT 1.25X4.67 USBL		
2.	319-164D	BG BACK STOP		
3.	319-171H	BGE2400 FRAME WELDMENT		
4.	802-034C	HHCS 1/2-13X1 1/4 GR5		
5.	802-097C	HHCS 1/4-20X2 1/2 GR5		
6.	803-020C	NUT HEX 1/2-13 PLT		
7.	803-255C	NUT HEX NYLOCK 1/4-20		

Cylinder & Hose Bundle

Applies to BG2400, BGE2400



70341

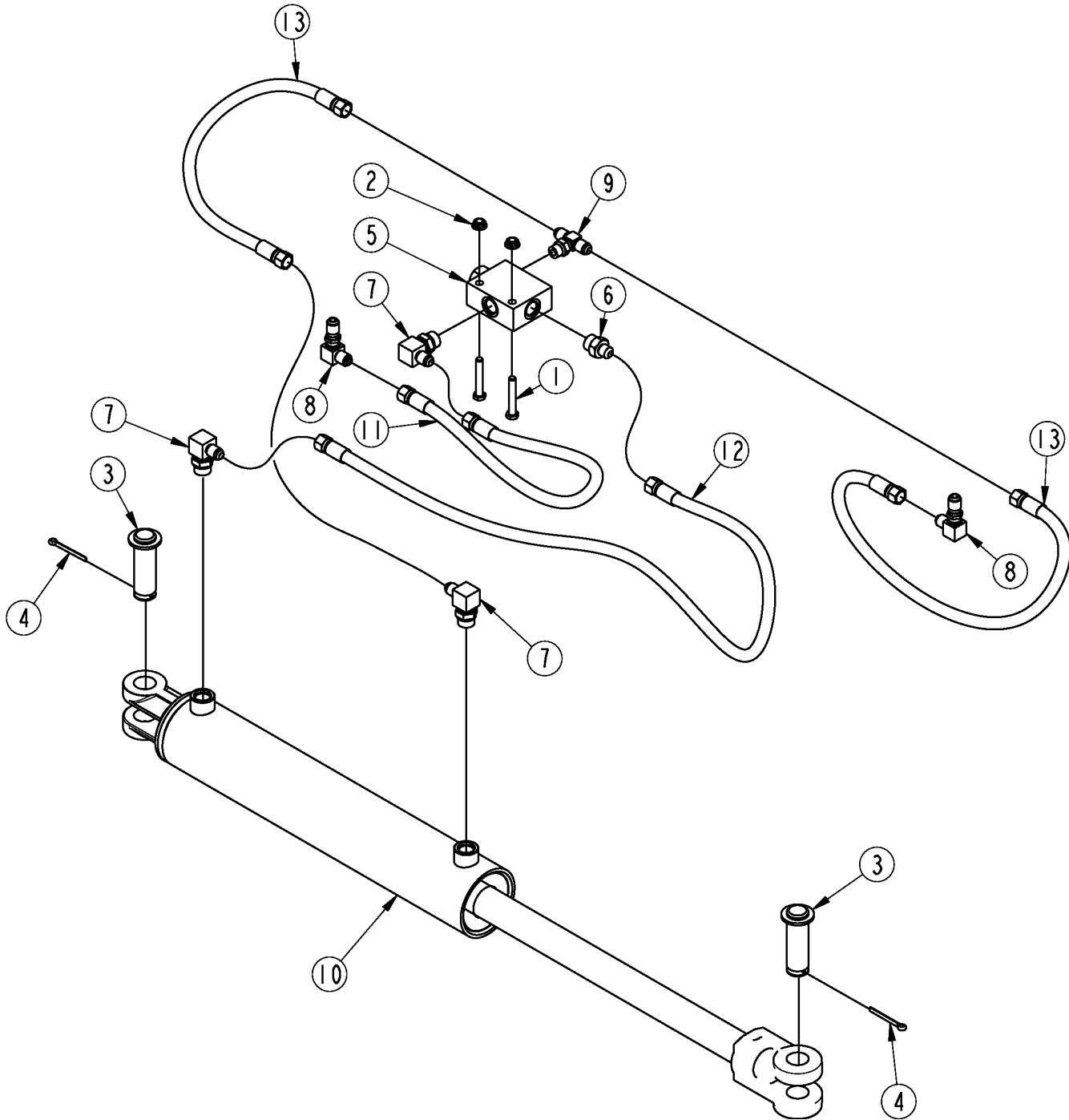
Cylinder & Hose Bundle

Applies to BG2400, BGE2400

Ref	Part No.	Part Description	Comments	Revision
	Dwg 70341	Image No.		
	319-155A	CYLINDER ASSY - BG *		
1.	805-004C	PIN CLVS 1.0X2.75 USBL		
2.	805-017C	PIN COTTER 3/16 X 1 3/4 PLT		
3.	811-171C	EL 3/4MORB 9/16MJIC		
4.	811-423C	EL 9/16MJIC BLKHD W/ LN		
5.	850-244C	CYL 3X16X1.5 WELDED		
6.	851-938C	HH1/4R2 024 9/16FJIC CORDURA		
7.	851-938C	HH1/4R2 024 9/16FJIC CORDURA		

Cylinder Hose & Valve Bundle

Applies to BG2400, BGE2400



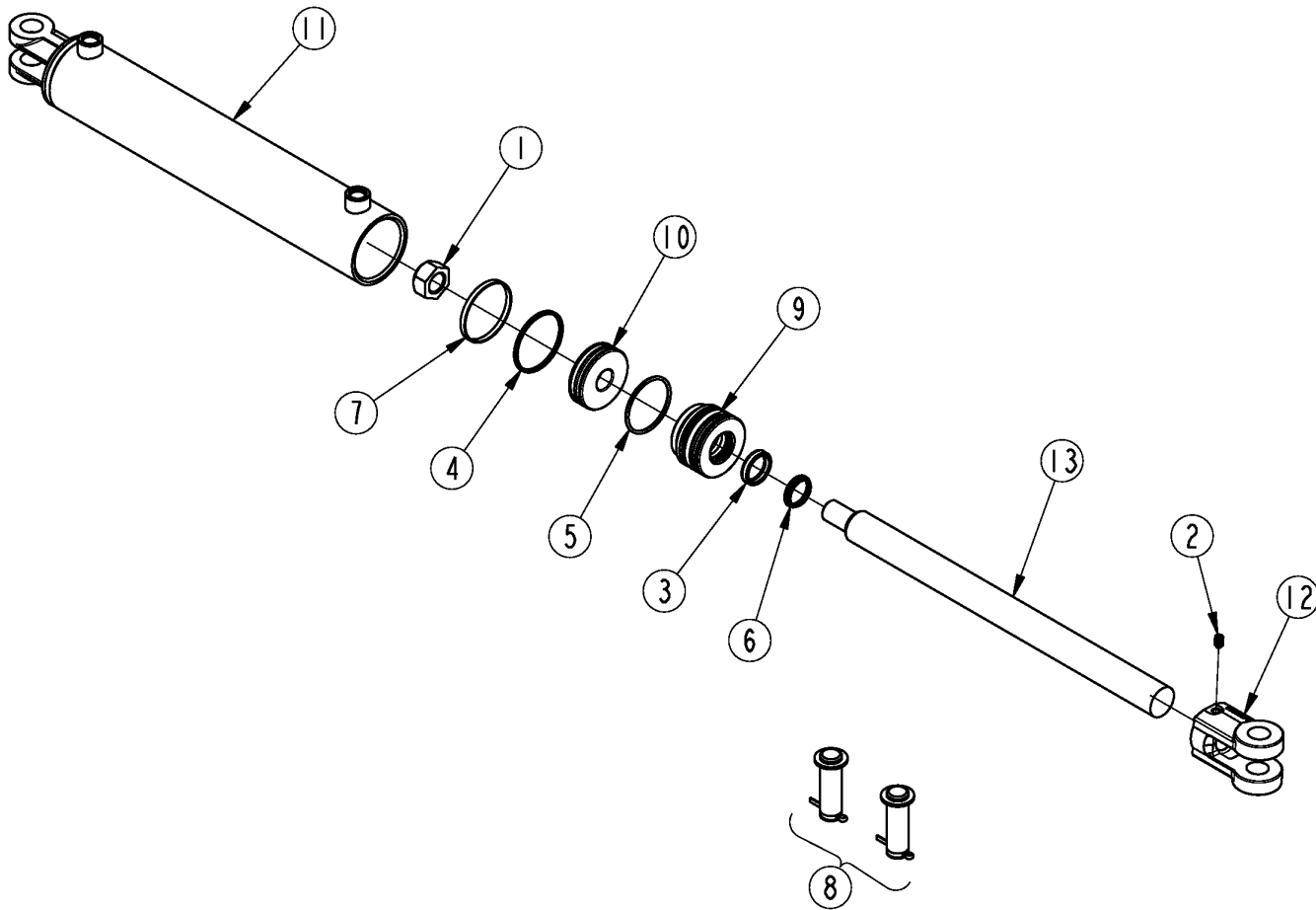
70342

Cylinder Hose & Valve Bundle**Applies to BG2400, BGE2400**

Ref	Part No.	Part Description	Comments	Revision
	Dwg 70342 319-177A	Image No. CYLINDER AND VALVE ASSY. *		
1.	802-115C	HHCS 5/16-18X2 GR5		
2.	803-177C	NUT HEX FLG TP LK 5/16-18ZNYCR		
3.	805-004C	PIN CLVS 1.0X2.75 USBL		
4.	805-017C	PIN COTTER 3/16 X 1 3/4 PLT		
5.	810-131C	PILOT OPERATED CHECK VALVE		
6.	811-133C	AD 9/16MJIC 3/4MORB		
7.	811-171C	EL 3/4MORB 9/16MJIC		
8.	811-423C	EL 9/16MJIC BLKHD W/ LN		
9.	811-439C	TE 9/16MORB 9/16MJIC 9/16MJIC		
10.	850-244C	CYL 3X16X1.5 WELDED		
11.	851-756C	HH1/4R2 020 1/2 9/16FJIC		
12.	851-757C	HH1/4R2 030 9/16FJIC		
13.	851-938C	HH1/4R2 024 9/16FJIC CORDURA		

Hydraulic Cylinder (850-244C) Monarch

Applies to BG2400, BGE2400



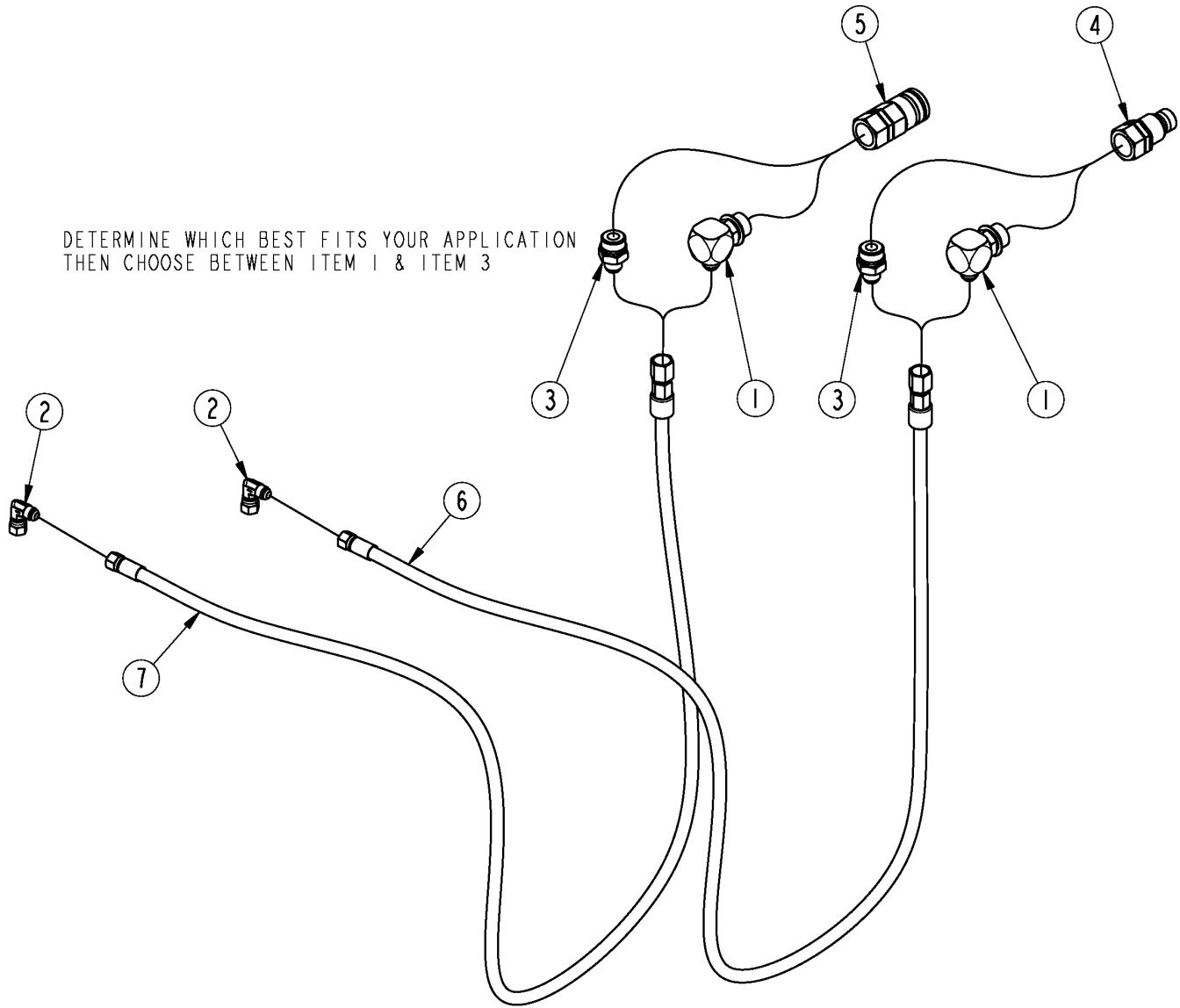
70353

Hydraulic Cylinder (850-244C) Monarch**Applies to BG2400, BGE2400**

Ref	Part No.	Part Description	Comments	Revision
	Dwg 70353 850-244C	Image No. CYL 3X16X1.5 WELDED *		
1.	130560	MON PISTON NUT		
2.	148000	MON SET SCREW 3/8INC ONE PIECE		
3.	194896	MON SEAL HALLITE 605 ROD 1-1/2		
4.	194914	MON SEAL PSP PISTON RING 3 DI		
5.	199139	MON SEAL DUAL 3.00		
6.	199457	MON SEAL WIPER ROD 1.50 SNAP		
7.	199707	MON WEAR RING 3.00-2.75-.25-		
8.	235005	MON PIN KIT 1.00C/W COTTER PIN		
9.	258586	MON CYL HEAD 3.00-1.50-THD		
10.	294734	MON PISTON 3.00-1.00-PSP/HALL1		
11.	470824	MON TUBE WELDT 3.00-16.00-WH		
12.	492652	LION ROD CLEVIS 1 1/4 (1PIN)		
13.	496824	MON ROD CYL 1.50-16-1.00-1.25		

Skid Steer Hose Kit

Applies to BG2400



70344

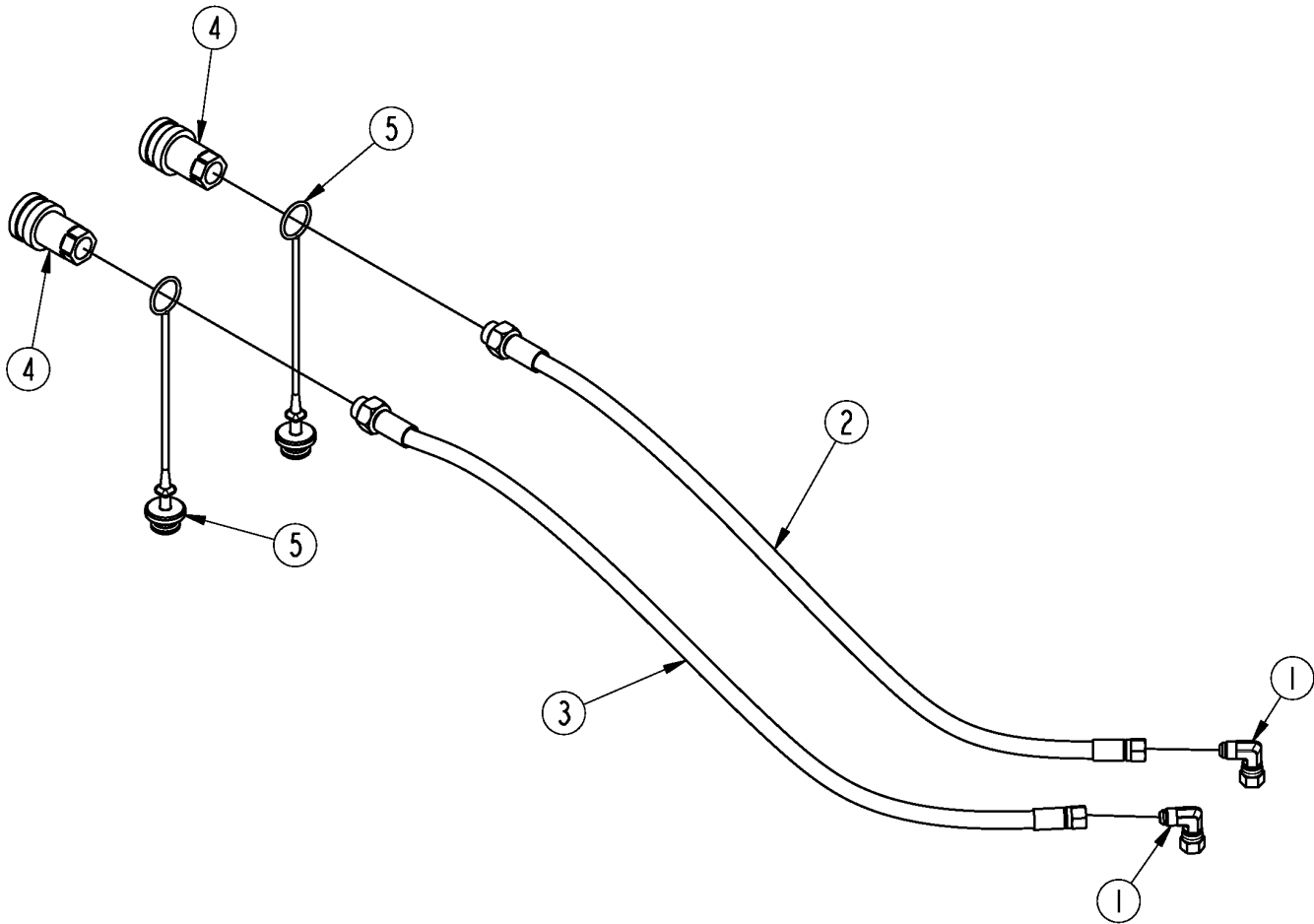
Skid Steer Hose Kit

Applies to BG2400

Ref	Part No.	Part Description	Comments	Revision
	Dwg 70344	Image No.		
	319-176A	HOSE KIT, SS 3/8 *		
1.	811-091C	EL 3/4MJIC 1 1/16MORB		
2.	811-169C	EL 9/16MJIC 9/16FJIC		
3.	811-205C	AD 3/4MJIC 1 1/16MORB		
4.	851-947C	CUP 1 1/16FORB MALE QUICK CPLR		
5.	851-948C	CUP 1 1/16FORB FML QUICK CPLR		
6.	861-069C	HH3/8R16 082 9/16FJIC 3/4FJIC		
7.	861-069C	HH3/8R16 082 9/16FJIC 3/4FJIC		

Third Function Hose Kit

Applies to BG2400, BGE2400



70345

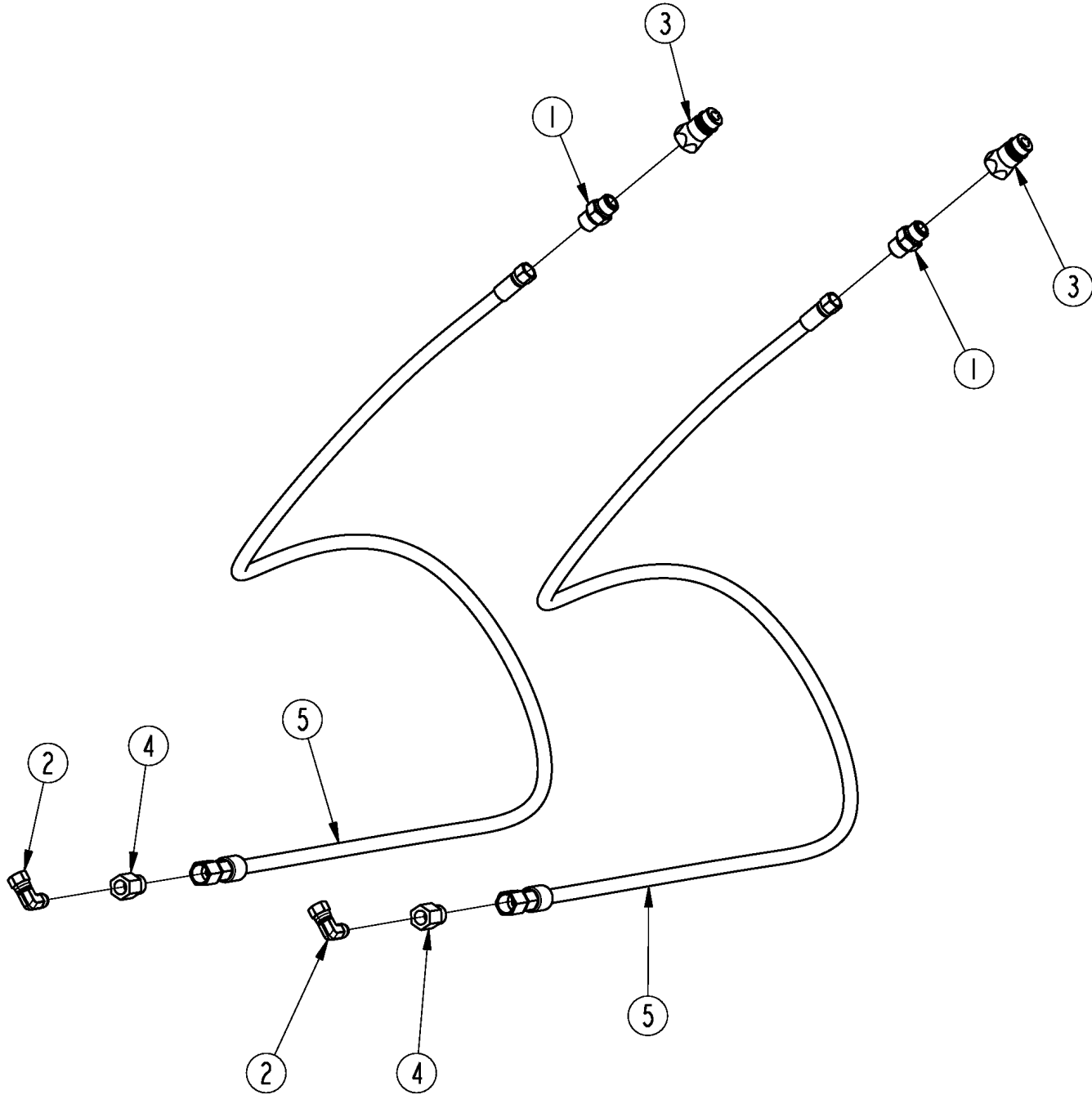
Third Function Hose Kit

Applies to BG2400, BGE2400

Ref	Part No.	Part Description	Comments	Revision
	Dwg 70345 319-175A	Image No. HOSE KIT, THIRD FUNCTION *		
1.	811-169C	EL 9/16MJIC 9/16FJIC		
2.	811-772C	HH3/8R2 060 9/16FJIC 3/4MORB		
3.	811-772C	HH3/8R2 060 9/16FJIC 3/4MORB		
4.	811-870C	CP 3/4FORB QD FEMALE (POPPET)		
5.	851-975C	DUST PLUG, 1/2" QD AG		

Tractor Hose Kit S/N _____ +

Applies to BG2400, BGE2400



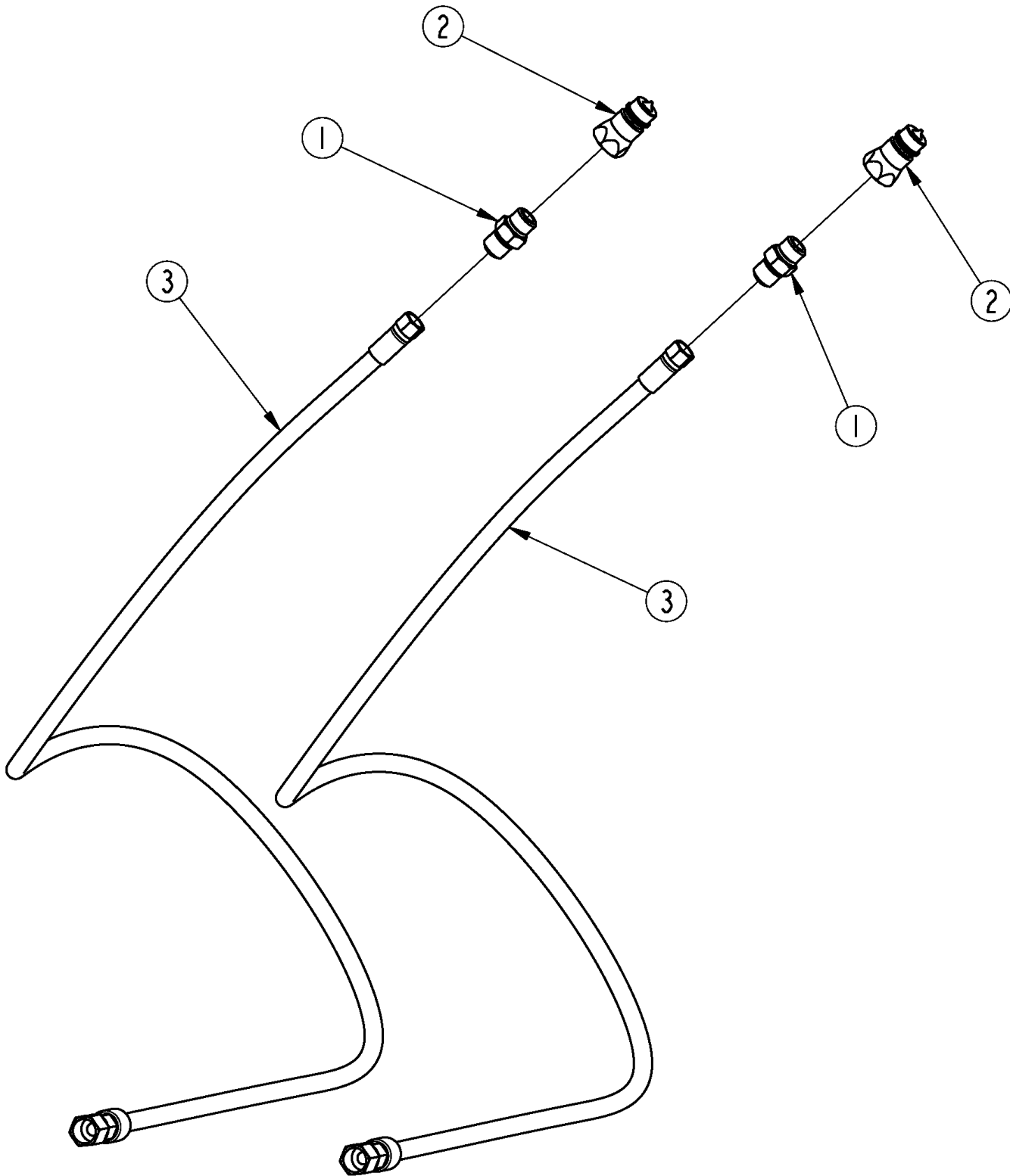
70422

Tractor Hose Kit S/N _____ +**Applies to BG2400, BGE2400**

Ref	Part No.	Part Description	Comments	Revision
	Dwg 70346 319-209A	Image No. 24' TRACTOR HOSES *		
1.	811-088C	AD 3/4MORB 3/4MJIC		
2.	811-169C	EL 9/16MJIC 9/16FJIC		
3.	811-394C	CP 3/4FORB MALE QD POPPET TYPE		
4.	851-300C	AD 3/4MJIC 9/16FJIC		
5.	811-969C	HH3/8R2 283 3/4FJIC		

Tractor Hose Kit S/N _____ -

Applies to BG2400, BGE2400



70346

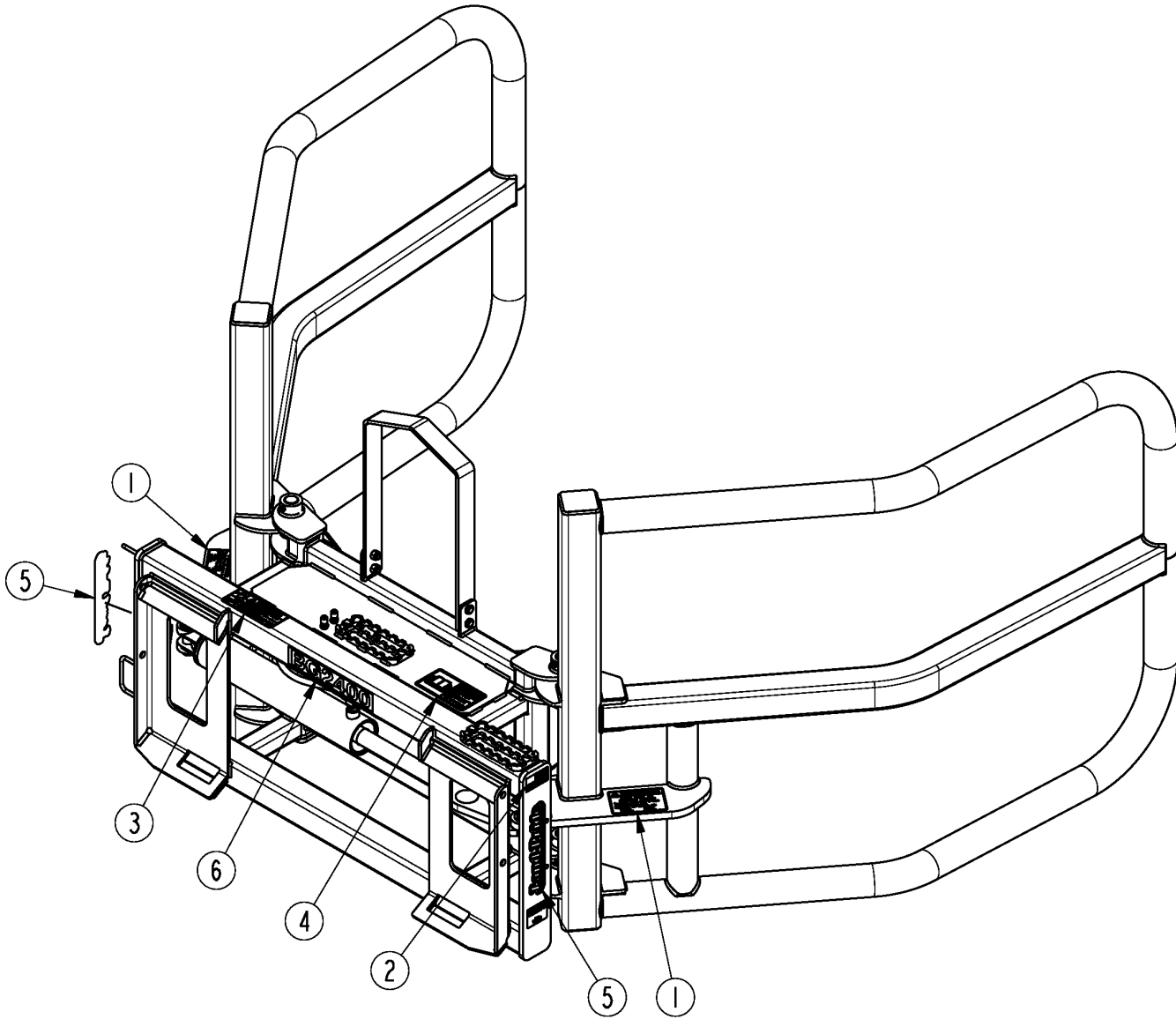
Tractor Hose Kit S/N _____ -

Applies to BG2400, BGE2400

Ref	Part No.	Part Description	Comments	Revision
	Dwg 70346	Image No.		
	301-506A	24' TRACTOR HOSES *		
1.	811-088C	AD 3/4MORB 3/4MJIC		
2.	811-394C	CP 3/4FORB MALE QD POPPET TYPE		
3.	811-969C	HH3/8R2 283 3/4FJIC		

BG2400 Decal Placement

Applies to BG2400



70348

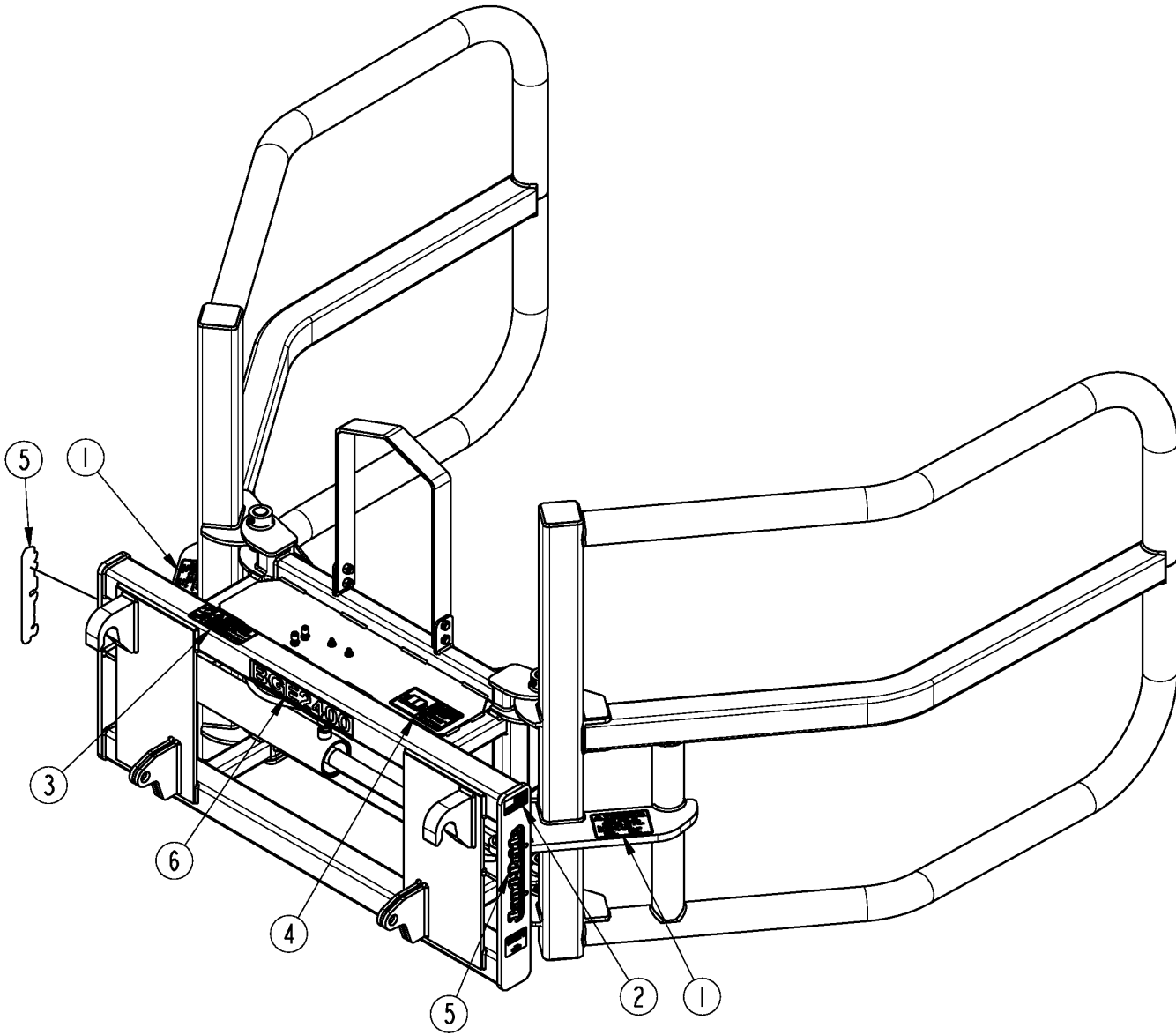
BG2400 Decal Placement

Applies to BG2400

Ref	Part No.	Part Description	Comments	Revision
	Dwg 70348	Image No.		
1.	818-045C	DECAL WARNING PINCH PT/CRUSH		
2.	818-190C	DECAL FLAG		
3.	838-094C	DECAL WARNING HYD PRESS LONG		
4.	838-293C	DECAL WARNING READ MANUAL		
5.	848-159C	DECAL LANDPRIDE 10" BROWN/GOLD		
6.	858-847C	DECAL BG2400 GOLD		

BGE2400 Decal Placement

Applies to BGE2400



70350

BGE2400 Decal Placement

Applies to BGE2400

Ref	Part No.	Part Description	Comments	Revision
	Dwg 70350	Image No.		
1.	818-045C	DECAL WARNING PINCH PT/CRUSH		
2.	818-190C	DECAL FLAG		
3.	838-094C	DECAL WARNING HYD PRESS LONG		
4.	838-293C	DECAL WARNING READ MANUAL		
5.	848-159C	DECAL LANDPRIDE 10" BROWN/GOLD		
6.	858-848C	DECAL BGE2400 GOLD		



Part Number Index

The Part Number Index is a numeric index of all part numbers included in this manual. The index shows what page(s) the part is used on.

<u>Part Number</u>	<u>Page</u>	<u>Part Number</u>	<u>Page</u>
130560	17	Dwg 70346	23, 25
148000	17	Dwg 70348	27
194896	17	Dwg 70349	11
194914	17	Dwg 70350	29
199139	17	Dwg 70353	17
199457	17		
199707	17		
235005	17		
258586	17		
294734	17		
301-506A	25		
319-140D	9, 11		
319-155A	13		
319-156H	9		
319-164D	9, 11		
319-169H	7		
319-170H	7		
319-171H	11		
319-175A	21		
319-176A	19		
319-177A	15		
319-209A	23		
470824	17		
492652	17		
496824	17		
800-001C	7		
802-034C	9, 11		
802-097C	9, 11		
802-115C	15		
803-020C	9, 11		
803-177C	15		
803-255C	9, 11		
804-015C	9		
805-004C	13, 15		
805-017C	13, 15		
810-131C	15		
811-088C	23, 25		
811-091C	19		
811-133C	15		
811-169C	19, 21, 23		
811-171C	13, 15		
811-205C	19		
811-394C	23, 25		
811-423C	13, 15		
811-439C	15		
811-772C	21		
811-870C	21		
811-969C	23, 25		
818-045C	27, 29		
818-190C	27, 29		
838-094C	27, 29		
838-293C	27, 29		
848-159C	27, 29		
850-244C	13, 15, 17		
851-300C	23		
851-756C	15		
851-757C	15		
851-938C	13, 15		
851-947C	19		
851-948C	19		
851-975C	21		
858-847C	27		
858-848C	29		
861-069C	19		
Dwg 70339	9		
Dwg 70340	7		
Dwg 70341	13		
Dwg 70342	15		
Dwg 70344	19		
Dwg 70345	21		

This Page Intentionally Left Blank



Great Plains Manufacturing, Inc.

Corporate Office: P.O. Box 5060
Salina, Kansas 67402-5060 USA

www.landpride.com
