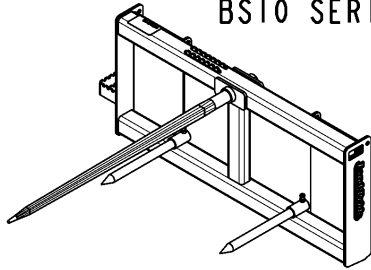


# Bale Spear

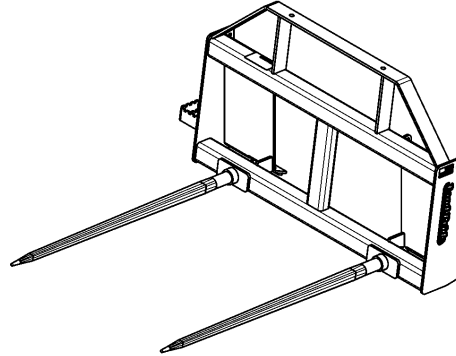
---

## BS10, BS20, BSE10 & BSE20 Series

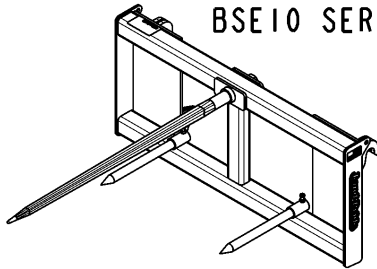
BS10 SERIES



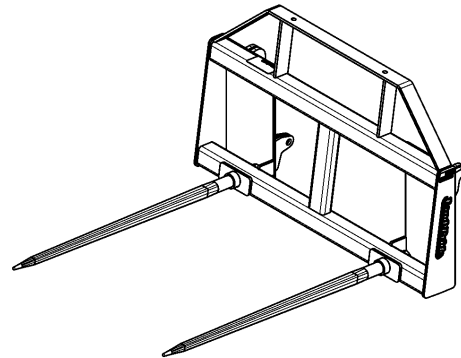
BS20 SERIES



BSE10 SERIES



BSE20 SERIES



33983

### 319-062P Parts Manual



Read the Operator's Manual entirely. When you see this symbol, the subsequent instructions and warnings are serious - follow without exception. Your life and the lives of others depend on it!

© Copyright 2018 Printed 07/10/18

Cover photo may show optional equipment not supplied with standard unit.





# Table of Contents

---

<b>Section 1: Introduction.....</b>	<b>4</b>
Using This Manual.....	4
Manual Replacement Information.....	4
Manual Revisions.....	4
Touch-up Paint.....	4
Hardware Legend.....	5
Replacement Hardware.....	5
Serial Numbers.....	5
Part Number Service Coding.....	5
<b>Section 2: Complete Assembly.....</b>	<b>6</b>
BS10 Complete Assembly.....	6
BS20 Complete Assembly.....	8
BSE10 Complete Assembly.....	10
BSE20 Complete Assembly.....	12
<b>Section 3: Decals.....</b>	<b>14</b>
BS10 Label Placement.....	14
BS20 Label Placement.....	16
BSE10 Label Placement.....	18
BSE20 Label Placement.....	20
Land Pride Touch-up Paints.....	22
<b>Part Number Index.....</b>	<b>24</b>

© Copyright 2018. All rights reserved.

Land Pride provides this publication “as is” without warranty of any kind, either expressed or implied. While every precaution has been taken in the preparation of this manual, Land Pride assumes no responsibility for errors or omissions. Neither is any liability assumed for damages resulting from the use of the information contained herein. Land Pride reserves the right to revise and improve its products as it sees fit. This publication describes the state of this product at the time of its publication, and may not reflect the product in the future. The illustrations in this manual are not intended for safe and proper assembly or disassembly of equipment. The illustrations are intended for ordering parts only.

Land Pride is registered trademark.

All other brands and product names are trademarks or registered trademarks of their respective holders.

*Printed in the United States of America.*



## Alphabetized Table of Contents

---

### B

BS10 Complete Assembly.....	6
BS10 Label Placement.....	14
BS20 Complete Assembly.....	8
BS20 Label Placement.....	16
BSE10 Complete Assembly.....	10
BSE10 Label Placement.....	18
BSE20 Complete Assembly.....	12
BSE20 Label Placement.....	20

### L

Land Pride Touch-up Paints.....	22
---------------------------------	----

# General Information

## Using This Manual

This manual is divided into sections. The first section contains General Information. The remaining sections divide the machine into segments (i.e. Frames, Drives, Hydraulics, etc.) which illustrate and list all parts. A Parts Number Index is located at the back of the book.

The Land Pride parts in this manual are specially designed for this machine and should be replaced with Land Pride parts only.

The information in this manual is current at time of printing. Some parts may change to assure top performance.

Right-hand and left-hand as used in this manual are determined by facing the direction the machine will travel while in use.

Below is an example of two facing pages from a parts manual. Familiarize yourself with the type of information contained on these pages.

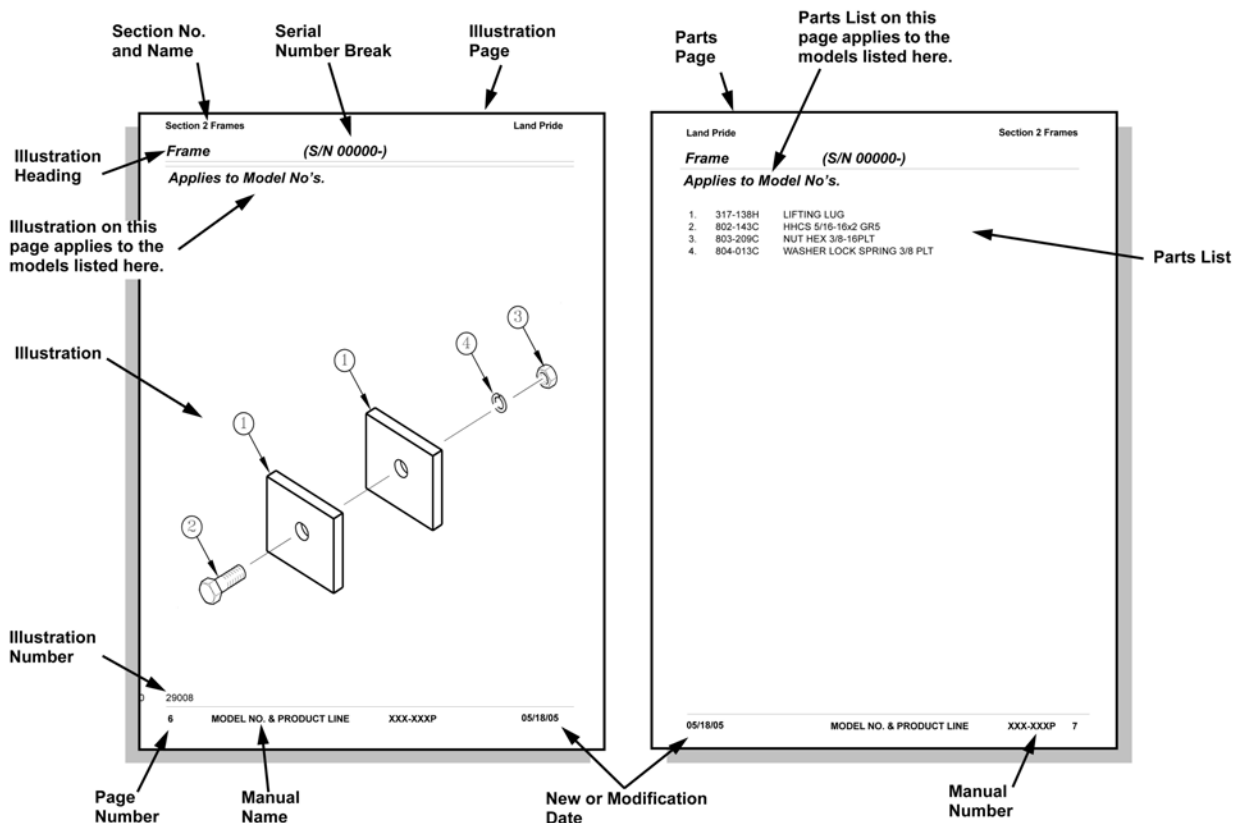
## Manual Replacement Information

Replacement manuals are available. Refer to our website at [www.landpride.com](http://www.landpride.com) or e-mail us at [lit@landpride.com](mailto:lit@landpride.com) for additional information. Our website continues to provide the most up-to-date manuals available.

## Touch-up Paint

Repaint parts where paint is worn or scratched to prevent rust. Aerosol cans and touch-up bottles with brush applicator are available through your local dealer. Also available are quart and gallon size paints. Add QT or GL to end of the Aerosol P/N.

Land Pride color descriptions and part numbers are listed on the "Land Pride Touch-up Paints" page in the "Decals" section of this book. Color options vary by product.



## General Information

### Hardware Legend

<b>AR</b>	As Required
<b>BLADE</b>	Blade Bolt
<b>C</b>	Cap Screw
<b>CP</b>	Cotter Pin
<b>CPHSSS</b>	Cup Point Hex Socket Set Screw
<b>CPSHSS</b>	Cup Point Square Head Set Screw
<b>CPSQHSS</b>	Cup Point Square Head Set Screw
<b>CRFCHMS3</b>	Cross Recess Flat Countersunk Head Machine Screw
<b>CRPHMS</b>	Cross Recess Pan Head Machine Screw
<b>CRPHTF</b>	Cross Recess Pan Head Thread Forming
<b>CRRHMS</b>	Cross Recess Round Head Machine Screw
<b>CRTHMS</b>	Cross Recess Truss Head Machine Screw
<b>CSNB</b>	Countersunk Square Neck Bolt
<b>FHMS</b>	Flat Head Machine Screw
<b>FTC</b>	Full Thread Cap Screw
<b>H</b>	Hex Nut
<b>HCLN</b>	Hex Center Lock Nut
<b>HFLCS</b>	Hex Flange Lock Cap Screw
<b>HFS</b>	Hex Flange Screw
<b>HFSLN</b>	Hex Flange Serrated Lock Nut
<b>HFSS</b>	Hex Flange Serrated Screw
<b>HHCS</b>	Hex Head Cap Screw or Metric Bolt
<b>HSBHCS</b>	Hex Socket Button Head Cap Screw
<b>HSFCHCS</b>	Hex Socket Flat Countersunk Head Cap Screw
<b>HSHCS</b>	Hex Socket Head Cap Screw
<b>HSSS</b>	Hex Socket Head Screw
<b>HTLN</b>	Hex Top Lock Nut
<b>HWHCS</b>	Hex Washer Head Cap Screw

<b>HWHMS</b>	Hex Washer Head Machine Screw
<b>HXBHCS</b>	Hex Socket Button Head Cap Screw
<b>J</b>	Hex Jam Nut
<b>JIC</b>	37 Degree Tapered Thread
<b>L</b>	Helical Spring Lock Washer
<b>LUG</b>	Lug Bolt
<b>NFC</b>	National Fine Cap Screw
<b>NPSM</b>	National Pipe Straight Mechanical
<b>NPTF</b>	National Pipe Taper Fuel
<b>P</b>	Wide Plain Washer
<b>PHMS</b>	Pan Head Machine Screw
<b>PLOW</b>	Plow Bolt
<b>RHMS</b>	Round Head Machine Screw
<b>RHSNB</b>	Round Head Square Neck Bolt
<b>SCREW LEVELING</b>	Leveling Screw
<b>SCREW THUMB</b>	Thumb Screw
<b>SCREW WELD</b>	Weld Screw
<b>SFCHMS</b>	Slotted Flat Countersunk Head Machine Screw
<b>SFHMS</b>	Slotted Fillister Head Machine Screw
<b>SP</b>	Special
<b>SP SCREW</b>	Special Screw
<b>SOHSS</b>	Square Head Set Screw
<b>SRHMS</b>	Slotted Round Head Machine Screw
<b>SSS</b>	Socket Set Screw
<b>STCS</b>	Self Tapping Cap Screw
<b>STHMS</b>	Slotted Truss Head Machine Screw
<b>WHEEL</b>	Wheel Studs and Hub Long Bolts
<b>WING</b>	Wing Bolt

### Replacement Hardware

The **Hardware Legend** above lists hardware abbreviations used in the parts list. All bolts and nuts are Grade 5 unless otherwise noted. The use of improper grades of hardware can result in personal injury, damage to equipment, or loss of property.

### Colored Replacement Parts

Land Pride offers replacement parts in factory standard colors and also on select models in Green, Orange, Red and Blue. Because of the variety of colors available, special attention must be given to the part number to prevent ordering the wrong replacement part.

A suffix number corresponding to one of the colors below must be added at the end of Land Pride's part number when ordering a replacement part with that color.

**81 . . . . . Green      83 . . . . . Red**  
**82 . . . . . Orange    84 . . . . . Blue**

For example, if you are ordering a replacement part with part number 555-555C and the part you need is red, then add the suffix 83 to the end of the number to make the part number read 555-555C83. Parts ordered without a suffix number will be supplied in factory standard colors.

### Black Replacement Parts

Some parts are factory standard black and some must be special ordered black. If your part is special ordered black, a second part number with the additional suffix number 85 on the end will be available. In this situation you must order that part with the suffix number for it to be black. Parts that are factory standard black will not have the suffix number.

### Part Number Service Coding

Within the parts list some part numbers are coded for revisions and interchangeability. See notations in revision column.

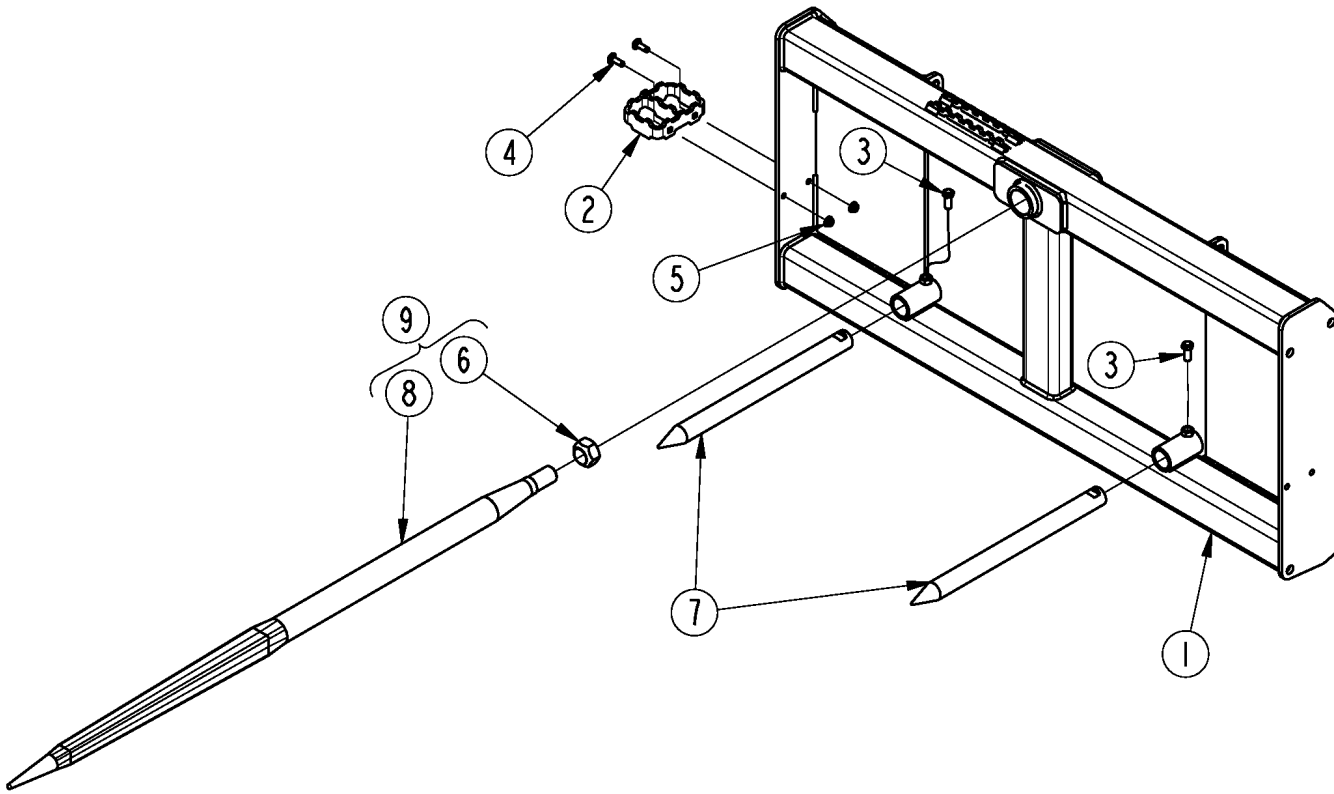
### Serial Numbers

Always use the serial and model number when ordering parts. Refer to the Operator's Manual for serial number plate location.

- |                      |  |
|----------------------|--|
| (S/N 20001+)         | Includes serial numbers 20001 and above (to the latest number)   |
| (S/N 10001 to 20000) | Includes serial numbers between and including 10001 and 20000    |
| (S/N 10000-)         | Includes serial numbers 10000 and below (to the earliest number) |

# BS10 Complete Assembly

Applies to BS10



33975

**BS10 Complete Assembly**

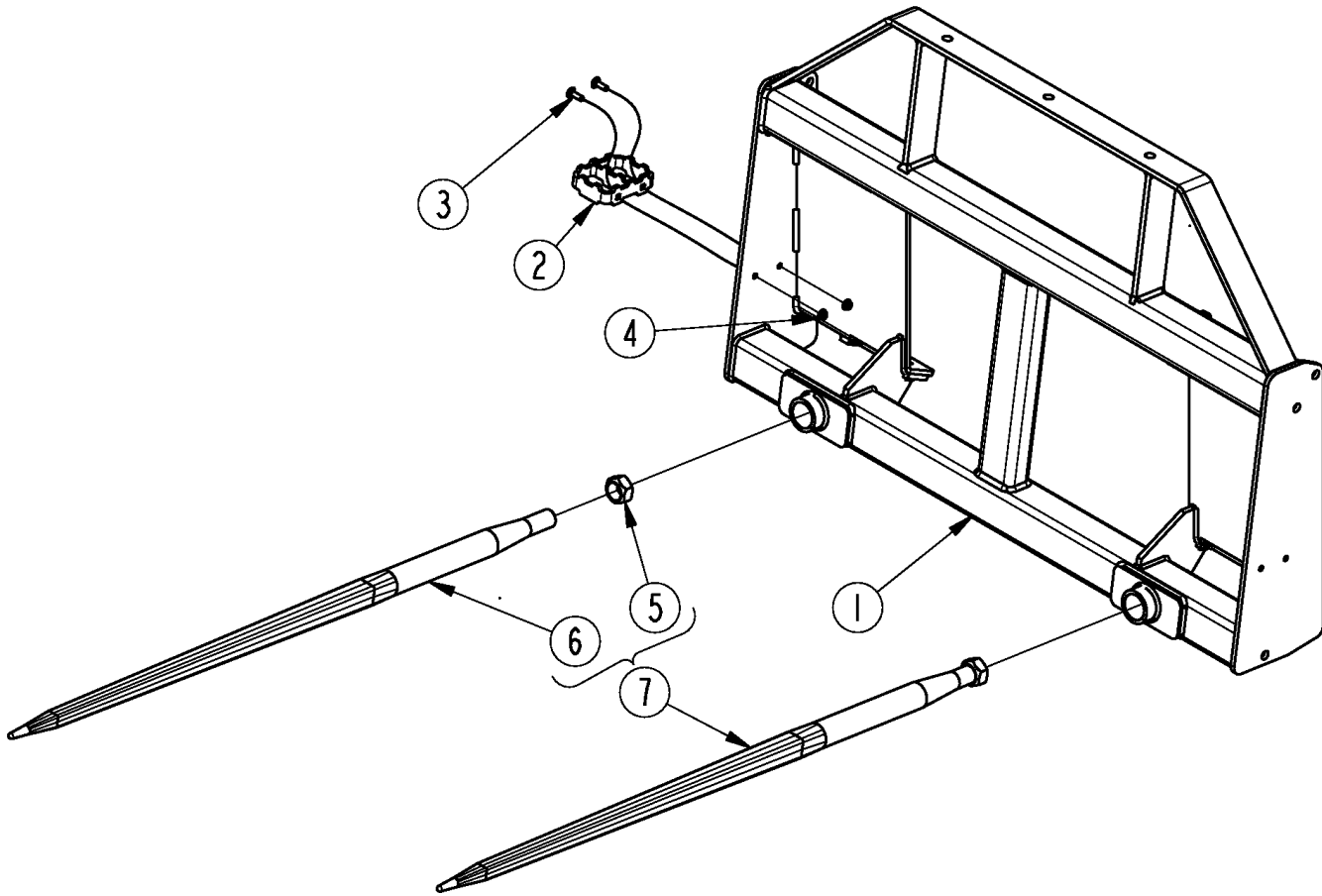
---

**Applies to BS10**

<b>Ref</b>	<b>Part No.</b>	<b>Part Description</b>	<b>Comments</b>	<b>Revision</b>
	Dwg 33975	Drawing Image Number		
1.	319-058H	SINGLE BALE SPEAR FRAME		
2.	350-527D	SKID STEP CASTING BLACK	S/N _____+	
3.	802-080C	HHCS 7/16-14X1 GR5		
4.	802-282C	RHSNB 5/16-18X1 GR5	S/N _____+	
5.	803-177C	NUT HEX FLG TP LK 5/16-18ZNYCR	S/N _____+	
6.	803-426C	NUT HEX M28X1.5 ECCENTRIC		
7.	891-264C	BALE SPIKE 17X1 1/4		
8.	N/A	BALE SPEAR 49 X 1 3/4 HEAVY		
9.	891-323C	BALE SPEAR ASSY 49" HEAVY		

# BS20 Complete Assembly

Applies to BS20



33977



**BS20 Complete Assembly**

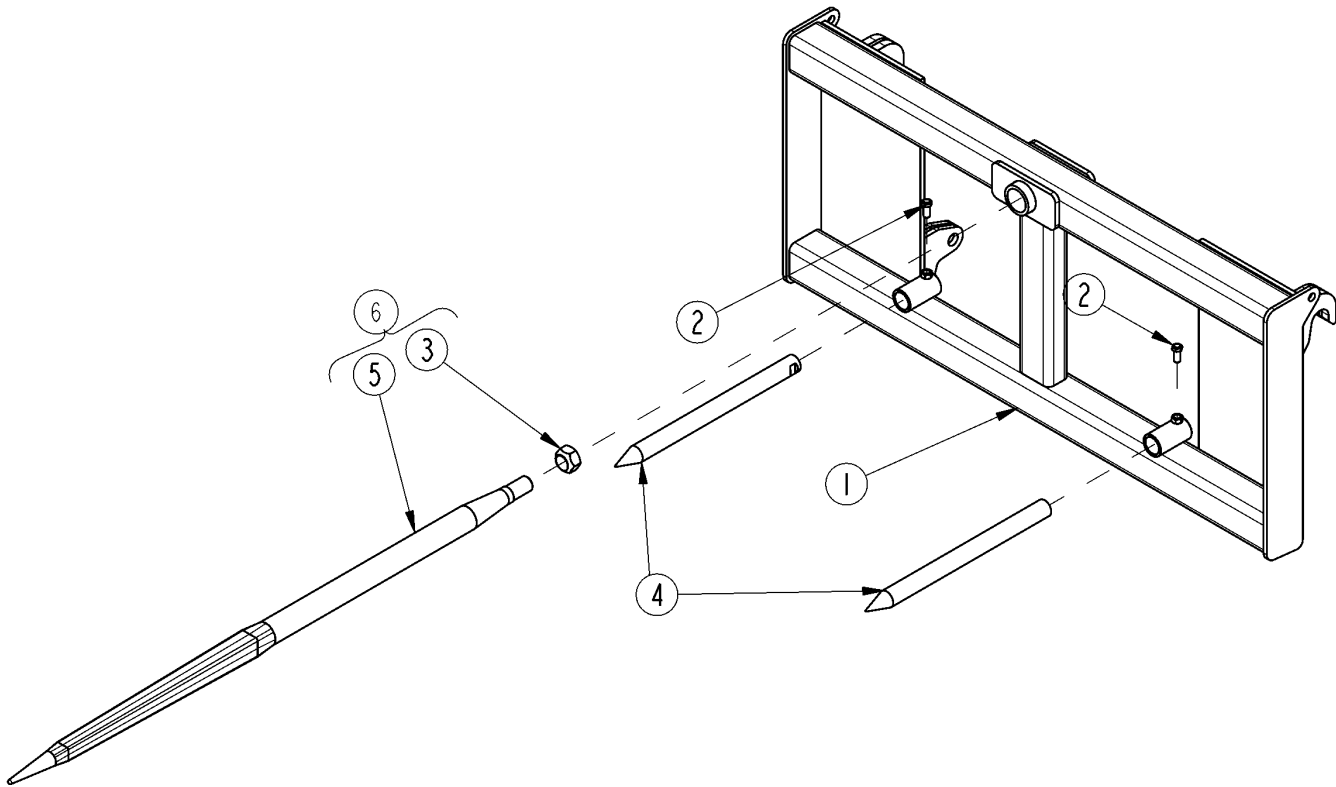
---

**Applies to BS20**

<b>Ref</b>	<b>Part No.</b>	<b>Part Description</b>	<b>Comments</b>	<b>Revision</b>
	Dwg 33977	Drawing Image Number		
1.	319-080H	DUAL BALE SPEAR FRAME	S/N 800164+	
1.	319-060H	DUAL BALE SPEAR FRAME	S/N 800163-	
2.	350-527D	SKID STEP CASTING BLACK	S/N _____+	
3.	802-282C	RHSNB 5/16-18X1 GR5	S/N _____+	
4.	803-177C	NUT HEX FLG TP LK 5/16-18ZNYCR	S/N _____+	
5.	803-389C	NUT HEX M30X2.0 ECCENTRIC		
6.	N/A	BALE SPEAR 49 X 1 3/4		
7.	891-269C	BALE SPEAR ASSY 49"		

# BSE10 Complete Assembly

Applies to BSE10



33979

***BSE10 Complete Assembly***

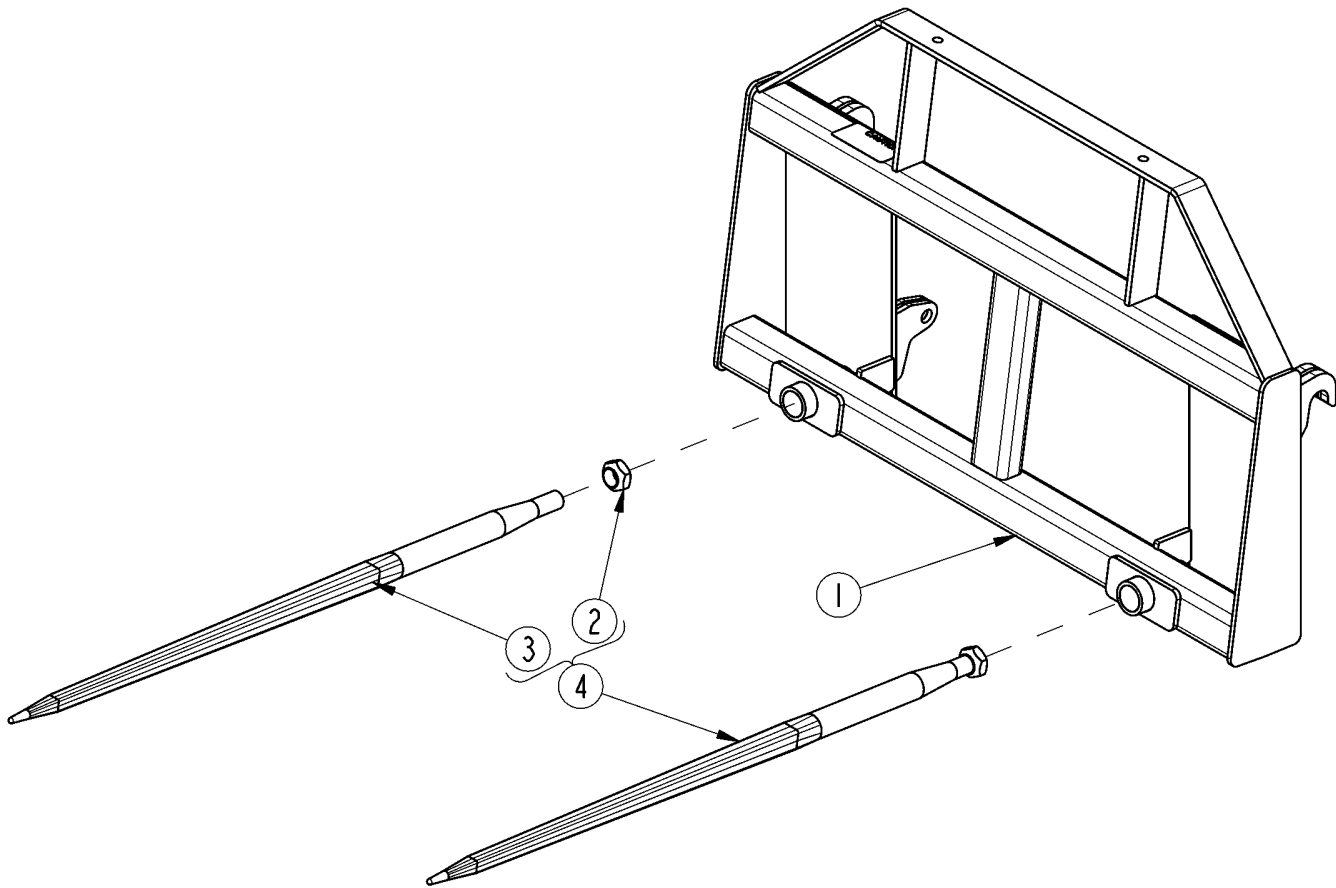
---

**Applies to BSE10**

<b>Ref</b>	<b>Part No.</b>	<b>Part Description</b>	<b>Comments</b>	<b>Revision</b>
	dwg33979	Drawing Image Number		
1.	319-064H	SINGLE BALE SPEAR FRAME EURO		
2.	802-080C	HHCS 7/16-14X1 GR5		
3.	803-426C	NUT HEX M28X1.5 ECCENTRIC		
4.	891-264C	BALE SPIKE 17X1 1/4		
5.	N/A	BALE SPEAR 49 X 1 3/4 HEAVY		
6.	891-323C	BALE SPEAR ASSY 49" HEAVY		

# BSE20 Complete Assembly

Applies to BSE20



33981

**BSE20 Complete Assembly**

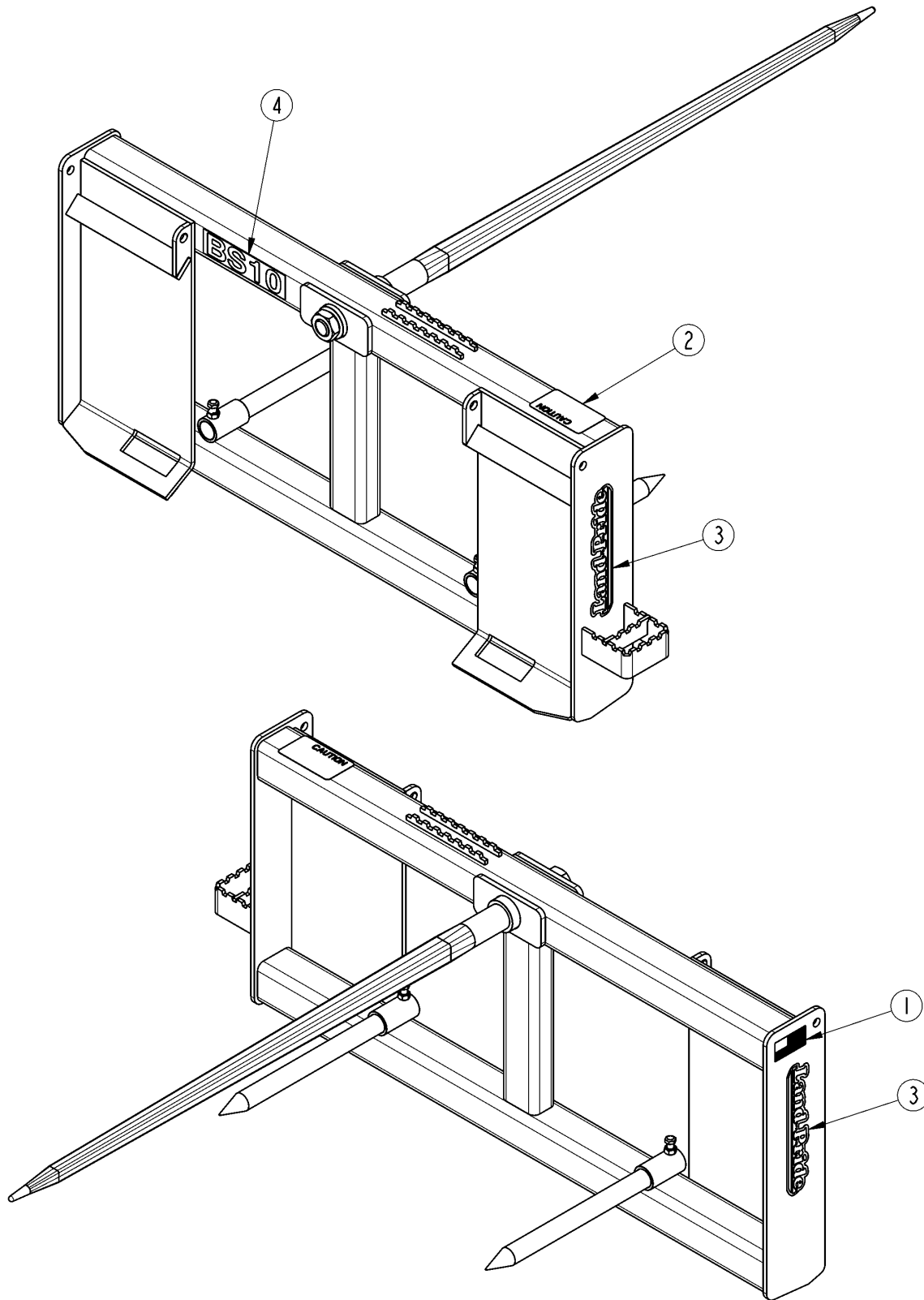
---

**Applies to BSE20**

<b>Ref</b>	<b>Part No.</b>	<b>Part Description</b>	<b>Comments</b>	<b>Revision</b>
	dwg33981	Drawing Image Number		
1.	319-081H	DUAL BALE SPEAR FRAME EURO	S/N 800164+	
1.	319-066H	DUAL BALE SPEAR FRAME EURO	S/N 800163-	
2.	803-389C	NUT HEX M30X2.0 ECCENTRIC		
3.	N/A	BALE SPEAR 49 X 1 3/4		
4.	891-269C	BALE SPEAR ASSY 49"		

# BS10 Label Placement

Applies to BS10



33976

***BS10 Label Placement***

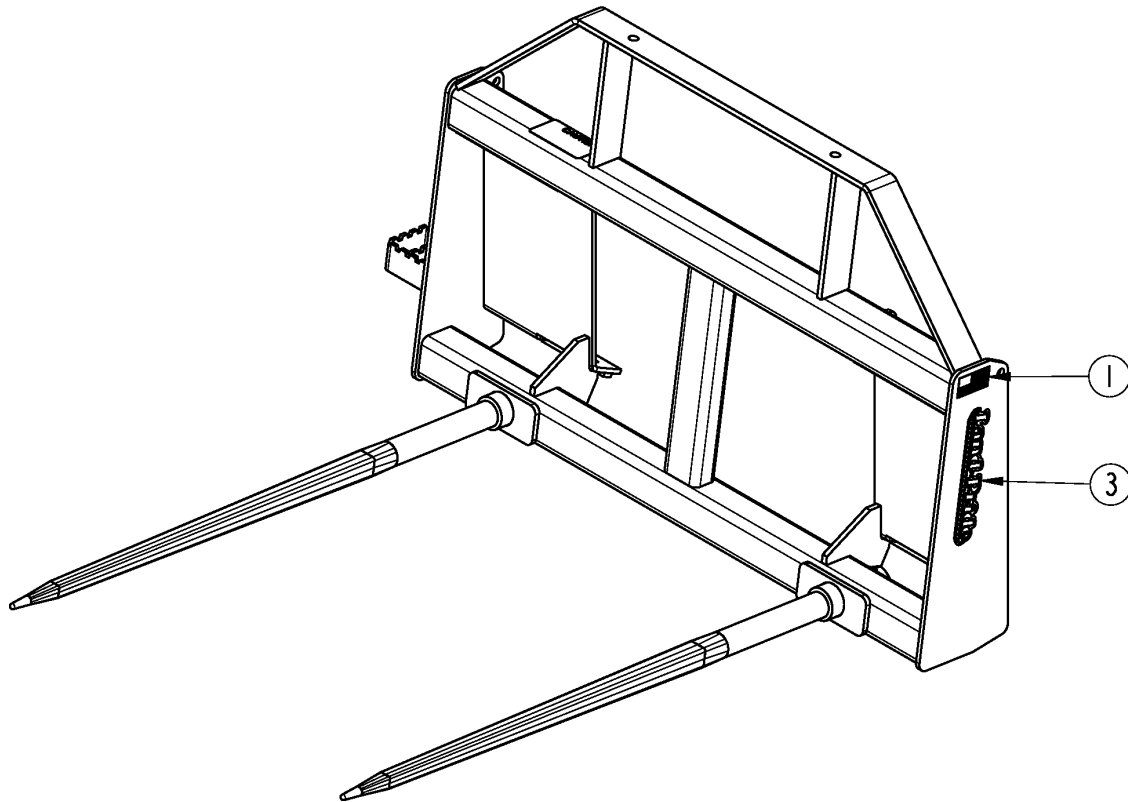
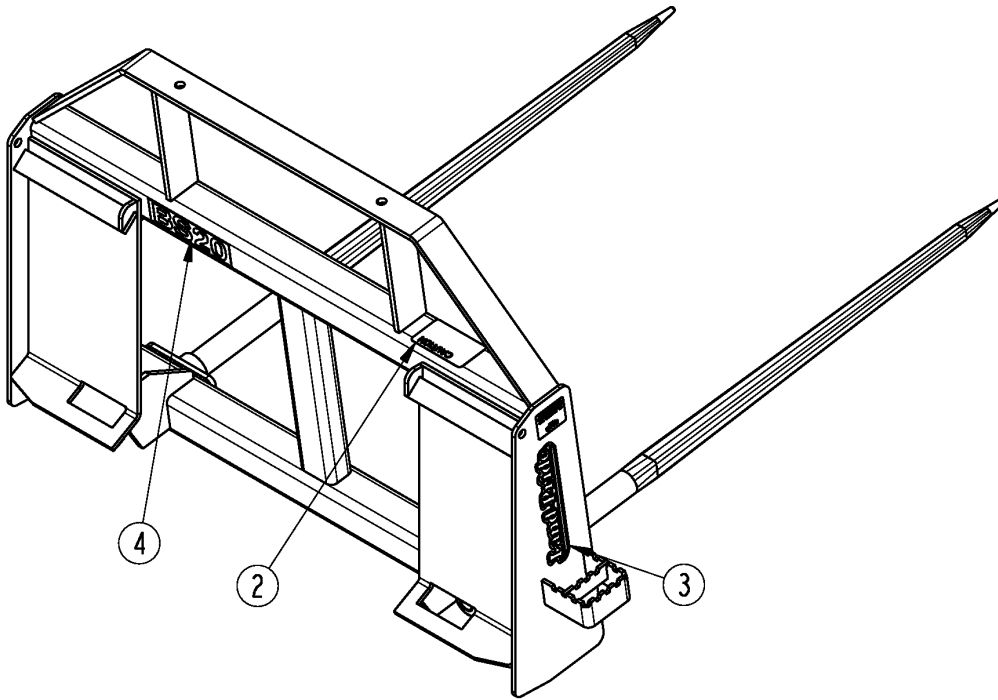
---

**Applies to BS10**

<b>Ref</b>	<b>Part No.</b>	<b>Part Description</b>	<b>Comments</b>	<b>Revision</b>
	dwg33976	Drawing Image Number		
1.	818-190C	DECAL FLAG		
2.	818-719C	DECAL CAUTION GENERAL INSTR		
3.	848-159C	DECAL LANDPRIDE 10" BROWN/GOLD		
4.	848-853C	DECAL BS10 GOLD		

# BS20 Label Placement

Applies to BS20



33978



***BS20 Label Placement***

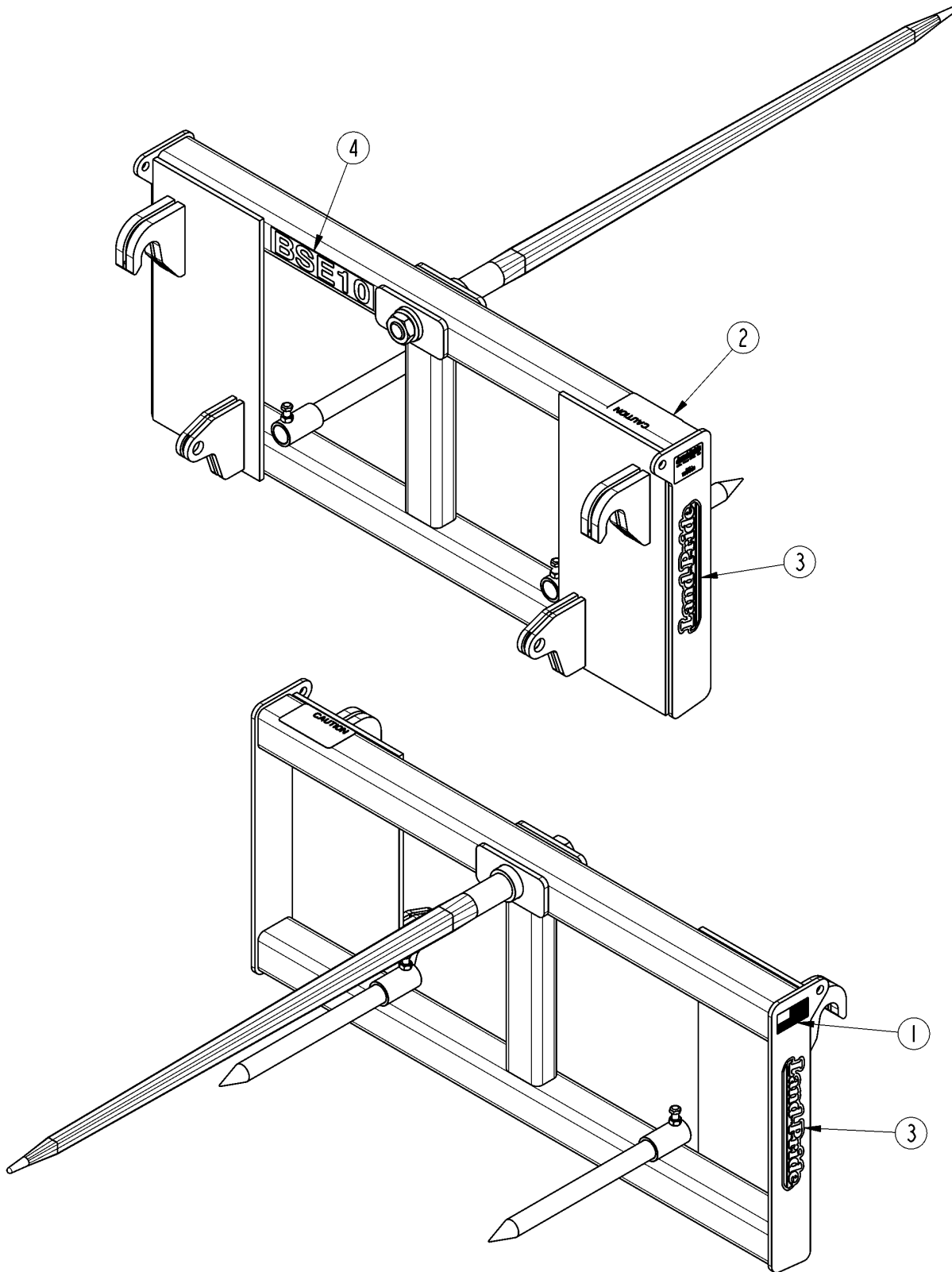
---

**Applies to BS20**

<b>Ref</b>	<b>Part No.</b>	<b>Part Description</b>	<b>Comments</b>	<b>Revision</b>
	Dwg 33978	Drawing Image Number		
1.	818-190C	DECAL FLAG		
2.	818-719C	DECAL CAUTION GENERAL INSTR		
3.	848-159C	DECAL LANDPRIDE 10" BROWN/GOLD		
4.	848-854C	DECAL BS20 GOLD		

# BSE10 Label Placement

Applies to BSE10



33980

***BSE10 Label Placement***

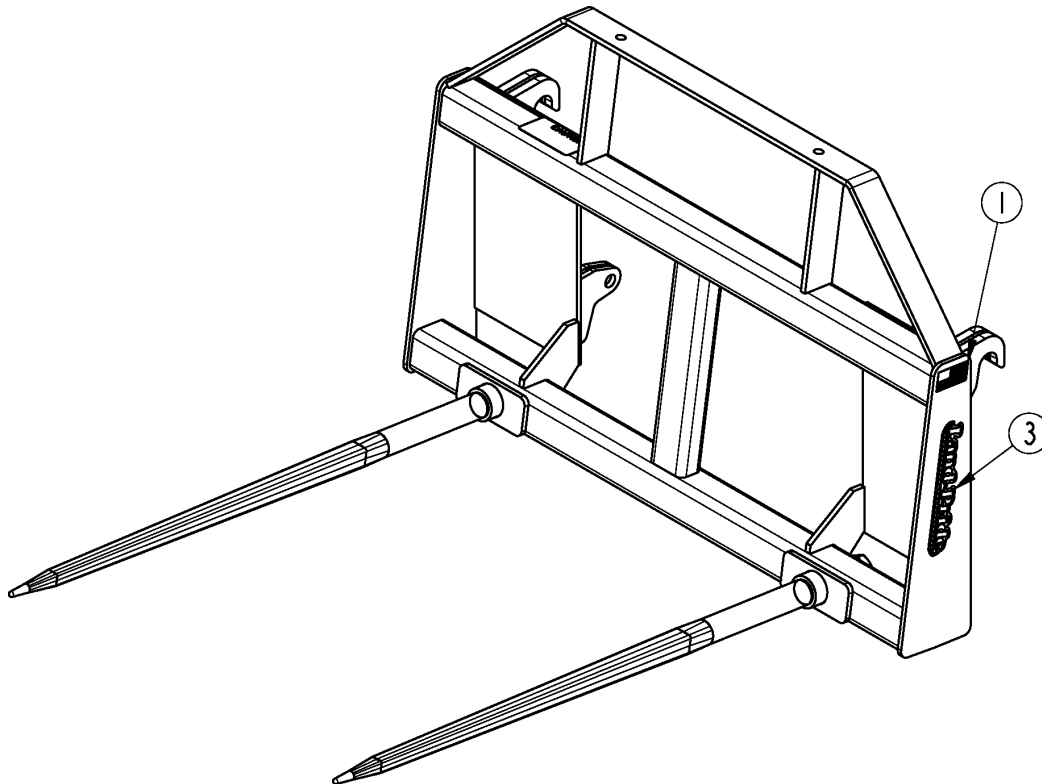
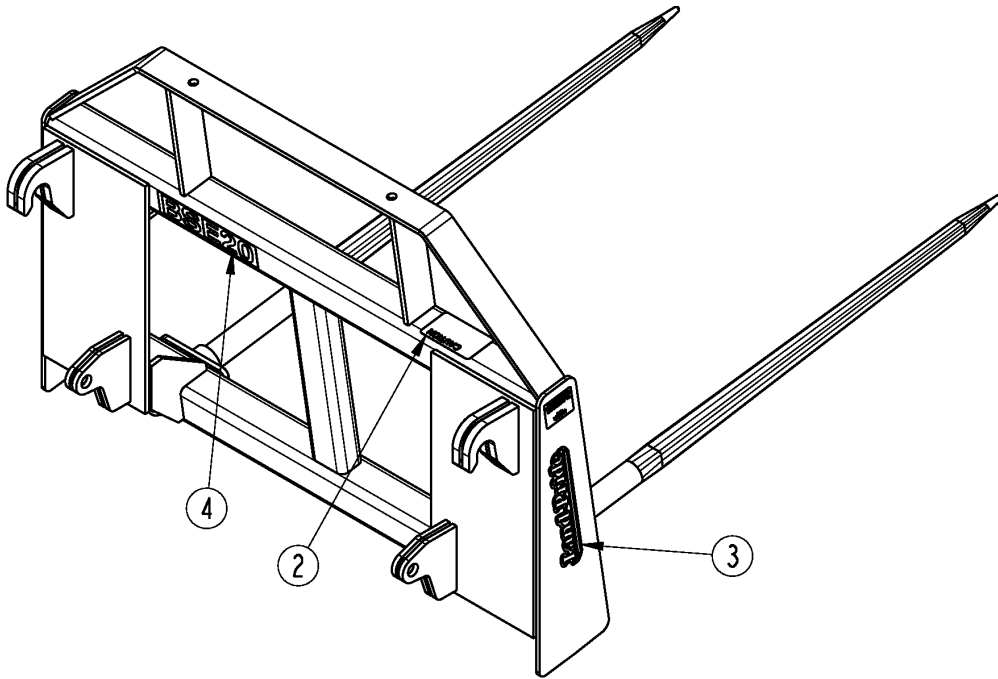
---

**Applies to BSE10**

<b>Ref</b>	<b>Part No.</b>	<b>Part Description</b>	<b>Comments</b>	<b>Revision</b>
	dwg33980	Drawing Image Number		
1.	818-190C	DECAL FLAG		
2.	818-719C	DECAL CAUTION GENERAL INSTR		
3.	848-159C	DECAL LANDPRIDE 10" BROWN/GOLD		
4.	848-855C	DECAL BSE10 GOLD		

# BSE20 Label Placement

Applies to BSE20



33982

***BSE20 Label Placement***

---

**Applies to BSE20**

<b>Ref</b>	<b>Part No.</b>	<b>Part Description</b>	<b>Comments</b>	<b>Revision</b>
	dwg33982	Drawing Image Number		
1.	818-190C	DECAL FLAG		
2.	818-719C	DECAL CAUTION GENERAL INSTR		
3.	848-159C	DECAL LANDPRIDE 10" BROWN/GOLD		
4.	848-856C	DECAL BSE20 GOLD		

***Land Pride Touch-up Paints***

---

Applies to BS10, BS20, BSE10, BSE20

**No diagram associated with this Parts List**

**Land Pride Touch-up Paints****Applies to BS10, BS20, BSE10, BSE20**

<b>Ref</b>	<b>Part No.</b>	<b>Part Description</b>	<b>Comments</b>	<b>Revision</b>
1.	821-011C	LP BEIGE SPRAY CAN	Spray can	
1.	821-070C	GLOSS BLACK SPRAY CAN	Spray can	
1.	821-054C	MED. RED SPRAY TRCK/CTR	Spray can	
1.	821-058C	GREEN SPRAY CUTTERS	Spray can	
1.	821-066C	ORANGE SPRAY CAN	Spray can	
1.	821-067C	BLUE SPRAY CAN	Spray can	
1.	821-080C	PAINT ALUMINUM/ZINC SPRAY CAN	Spray can	
2.	821-011CTU	LP BEIGE TOUCH-UP 5OZ	Touch-up bottle with brush	
2.	821-070CTU	GLOSS BLACK TOUCH-UP 5OZ	Touch-up bottle with brush	
2.	821-054CTU	MED RED TOUCH-UP 5OZ	Touch-up bottle with brush	
2.	821-058CTU	GREEN TOUCH-UP 5OZ	Touch-up bottle with brush	
2.	821-066CTU	ORANGE TOUCH-UP 5OZ	Touch-up bottle with brush	
2.	821-067CTU	BLUE TOUCH-UP 5OZ	Touch-up bottle with brush	
2.	821-080CTU	PAINT ALUMINUM/ZINC TOUCH UP	Touch-up bottle with brush	
3.	821-011CQT	LP BEIGE QUART	Quart can	
3.	821-070CQT	GLOSS BLACK QUART	Quart can	
3.	821-054CQT	MED RED QUART	Quart can	
3.	821-058CQT	GREEN QUART	Quart can	
3.	821-066CQT	ORANGE QUART	Quart can	
3.	821-067CQT	BLUE QUART	Quart can	
3.	821-080CQT	PAINT ALUMINUM/ZINC QUART	Quart can	
4.	821-011CGL	LP BEIGE GALLON	Gallon can	
4.	821-070CGL	GLOSS BLACK GALLON	Gallon can	
4.	821-054CGL	MED RED GALLON	Gallon can	
4.	821-058CGL	GREEN GALLON	Gallon can	
4.	821-066CGL	ORANGE GALLON	Gallon can	
4.	821-067CGL	BLUE GALLON	Gallon can	
4.	821-080CGL	PAINT ALUMINUM/ZINC GALLON	Gallon can	



# Part Number Index

The Part Number Index is a numeric index of all part numbers included in this manual. The index shows what page(s) the part is used on.

<b>Part Number</b>	<b>Page</b>
319-058H .....	7
319-060H .....	9
319-064H .....	11
319-066H .....	13
319-080H .....	9
319-081H .....	13
350-527D .....	7, 9
802-080C .....	7, 11
802-282C .....	7, 9
803-177C .....	7, 9
803-389C .....	9, 13
803-426C .....	7, 11
818-190C .....	15, 17, 19, 21
818-719C .....	15, 17, 19, 21
821-011C .....	23
821-011CGL .....	23
821-011CQT .....	23
821-011CTU .....	23
821-054C .....	23
821-054CGL .....	23
821-054CQT .....	23
821-054CTU .....	23
821-058C .....	23
821-058CGL .....	23
821-058CQT .....	23
821-058CTU .....	23
821-066C .....	23
821-066CGL .....	23
821-066CQT .....	23
821-066CTU .....	23
821-067C .....	23
821-067CGL .....	23
821-067CQT .....	23
821-067CTU .....	23
821-070C .....	23
821-070CGL .....	23
821-070CQT .....	23
821-070CTU .....	23
821-080C .....	23
821-080CGL .....	23
821-080CQT .....	23
821-080CTU .....	23
848-159C .....	15, 17, 19, 21
848-853C .....	15
848-854C .....	17
848-855C .....	19
848-856C .....	21
891-264C .....	7, 11
891-269C .....	9, 13
891-323C .....	7, 11
Dwg 33975 .....	7
Dwg 33977 .....	9
Dwg 33978 .....	17
dwg33976 .....	15
dwg33979 .....	11
dwg33980 .....	19
dwg33981 .....	13
dwg33982 .....	21
N/A .....	7, 9, 11, 13



***This Page Intentionally Left Blank***



Great Plains Manufacturing, Inc.

Corporate Office: P.O. Box 5060  
Salina, Kansas 67402-5060 USA

[www.landpride.com](http://www.landpride.com)

---