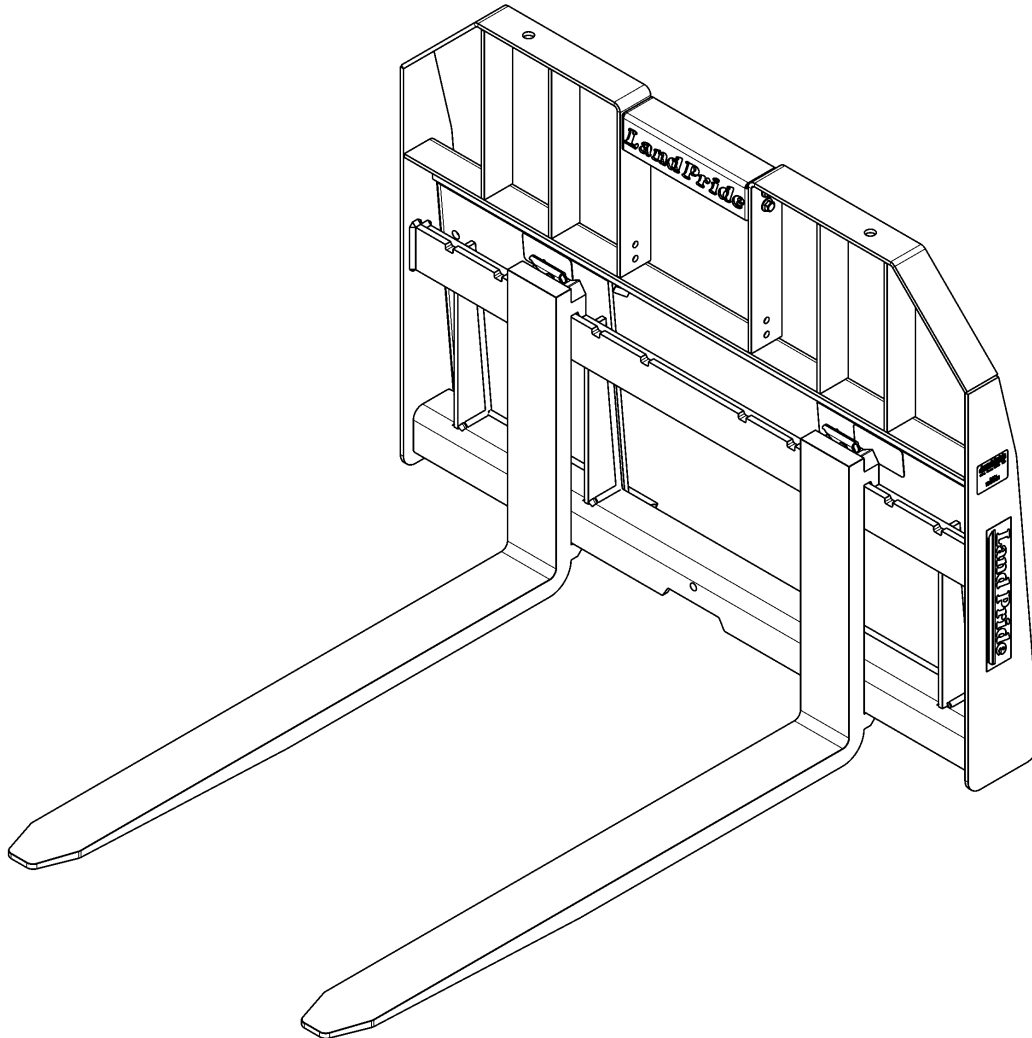


Plate Mounted Pallet Forks

PFL20, PFL30, PFL45, PFL55 & PFL64Series



27543

319-038P **Parts Manual**



Read the Operator's Manual entirely. When you see this symbol, the subsequent instructions and warnings are serious - follow without exception. Your life and the lives of others depend on it!

© Copyright 2019 Printed 05/10/19

Cover photo may show optional equipment not supplied with standard unit.





Table of Contents

Section 1: Introduction.....4
Using This Manual.....4
Manual Replacement Information.....4
Manual Revisions.....4
Touch-up Paint.....4
Hardware Legend.....5
Replacement Hardware.....5
Serial Numbers.....5
Part Number Service Coding.....5

PFL20 & PFL30 SERIES

Section 2: Complete Assembly PFL20 PFL30
Series.....6
Complete Assembly.....6
Land Pride Touch-up Paints.....8

PFL45 & PFL55 SERIES

Section 3: Complete Assembly PFL45 PFL55
Series.....10
Complete Assembly Skid Steer Hitch.....10
Land Pride Touch-up Paints.....12

PFL64 SERIES

Section 4: Complete Assembly PFL64 Series.....14
Complete Assembly Skid Steer Hitch.....14
Land Pride Touch-up Paints.....16

PFLE45 & PFLE55 SERIES

Section 3: Complete Assembly PFLE45 PFLE55
Series.....18
Complete Assembly Euro Hitch.....18
Land Pride Touch-up Paints.....20

PFLE64 SERIES

Section 4: Complete Assembly PFLE64 Series.....22
Complete Assembly Euro Hitch.....22
Land Pride Touch-up Paints.....24

Part Number Index.....26

© Copyright 2019. All rights reserved.

Land Pride provides this publication “as is” without warranty of any kind, either expressed or implied. While every precaution has been taken in the preparation of this manual, Land Pride assumes no responsibility for errors or omissions. Neither is any liability assumed for damages resulting from the use of the information contained herein. Land Pride reserves the right to revise and improve its products as it sees fit. This publication describes the state of this product at the time of its publication, and may not reflect the product in the future. The illustrations in this manual are not intended for safe and proper assembly or disassembly of equipment. The illustrations are intended for ordering parts only.

Land Pride is registered trademark.

All other brands and product names are trademarks or registered trademarks of their respective holders.

Printed in the United States of America.



Alphabetized Table of Contents

PFL20 & PFL30 SERIES

C	Complete Assembly.....	6
L	Land Pride Touch-up Paints.....	8

PFL45 & PFL55 SERIES

C	Complete Assembly Skid Steer Hitch.....	10
L	Land Pride Touch-up Paints.....	12

PFL64 SERIES

C	Complete Assembly Skid Steer Hitch.....	14
L	Land Pride Touch-up Paints.....	16

PFLE45 & PFLE55 SERIES

C	Complete Assembly Euro Hitch.....	18
L	Land Pride Touch-up Paints.....	20

PFLE64 SERIES

C	Complete Assembly Euro Hitch.....	22
L	Land Pride Touch-up Paints.....	24

General Information

Using This Manual

This manual is divided into sections. The first section contains General Information. The remaining sections divide the machine into segments (i.e. Frames, Drives, Hydraulics, etc.) which illustrate and list all parts. A Parts Number Index is located at the back of the book.

The Land Pride parts in this manual are specially designed for this machine and should be replaced with Land Pride parts only.

The information in this manual is current at time of printing. Some parts may change to assure top performance.

Right-hand and left-hand as used in this manual are determined by facing the direction the machine will travel while in use.

Below is an example of two facing pages from a parts manual. Familiarize yourself with the type of information contained on these pages.

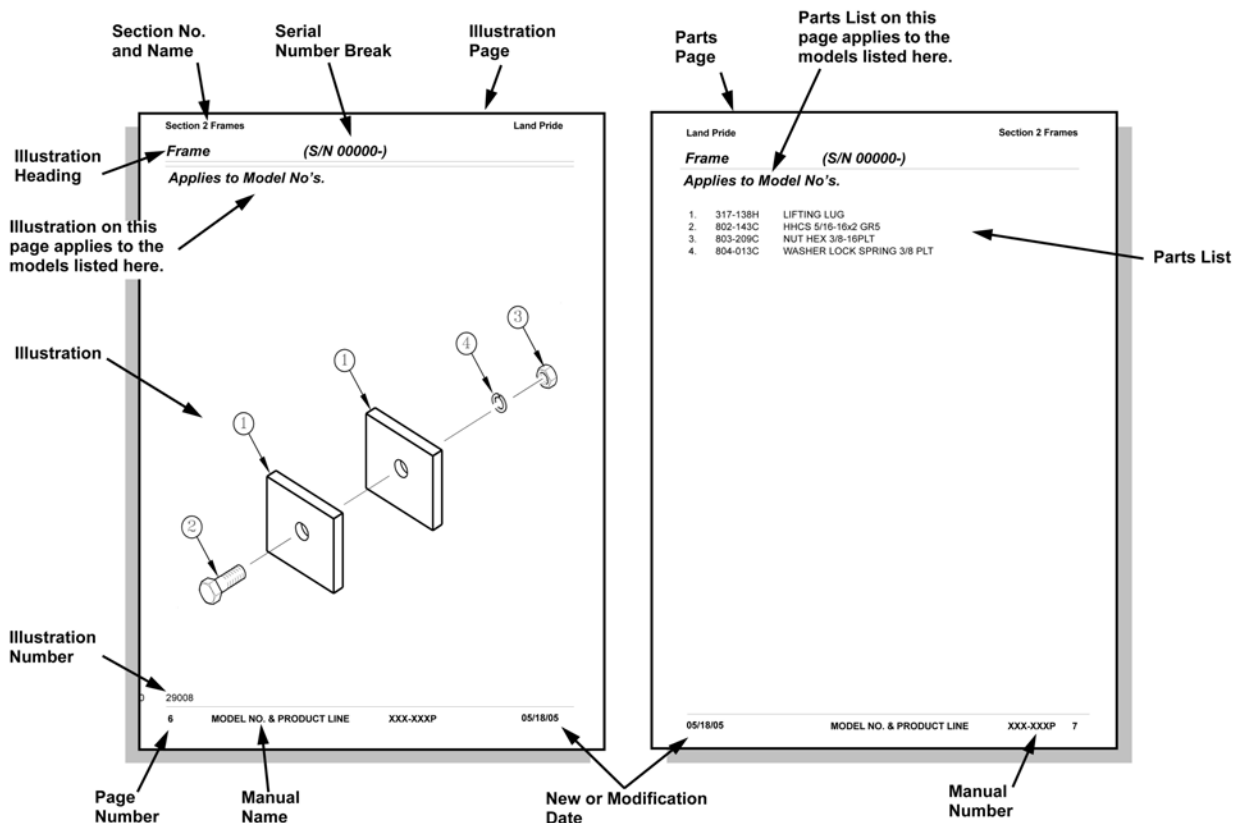
Manual Replacement Information

Replacement manuals are available. Refer to our website at www.landpride.com or e-mail us at lit@landpride.com for additional information. Our website continues to provide the most up-to-date manuals available.

Touch-up Paint

Repaint parts where paint is worn or scratched to prevent rust. Aerosol cans and touch-up bottles with brush applicator are available through your local dealer. Also available are quart and gallon size paints. Add QT or GL to end of the Aerosol P/N.

Land Pride color descriptions and part numbers are listed on the "Land Pride Touch-up Paints" page in the "Decals" section of this book. Color options vary by product.



General Information

Hardware Legend

AR	As Required
BLADE	Blade Bolt
C	Cap Screw
CP	Cotter Pin
CPHSSS	Cup Point Hex Socket Set Screw
CPSHSS	Cup Point Square Head Set Screw
CPSQHSS	Cup Point Square Head Set Screw
CRFCHMS3	Cross Recess Flat Countersunk Head Machine Screw
CRPHMS	Cross Recess Pan Head Machine Screw
CRPHTF	Cross Recess Pan Head Thread Forming
CRRHMS	Cross Recess Round Head Machine Screw
CRTHMS	Cross Recess Truss Head Machine Screw
CSNB	Countersunk Square Neck Bolt
FHMS	Flat Head Machine Screw
FTC	Full Thread Cap Screw
H	Hex Nut
HCLN	Hex Center Lock Nut
HFLCS	Hex Flange Lock Cap Screw
HFS	Hex Flange Screw
HFSLN	Hex Flange Serrated Lock Nut
HFSS	Hex Flange Serrated Screw
HHCS	Hex Head Cap Screw or Metric Bolt
HSBHCS	Hex Socket Button Head Cap Screw
HSFCHCS	Hex Socket Flat Countersunk Head Cap Screw
HSHCS	Hex Socket Head Cap Screw
HSSS	Hex Socket Head Screw
HTLN	Hex Top Lock Nut
HWHCS	Hex Washer Head Cap Screw

HWHMS	Hex Washer Head Machine Screw
HXBHCS	Hex Socket Button Head Cap Screw
J	Hex Jam Nut
JIC	37 Degree Tapered Thread
L	Helical Spring Lock Washer
LUG	Lug Bolt
NFC	National Fine Cap Screw
NPSM	National Pipe Straight Mechanical
NPTF	National Pipe Taper Fuel
P	Wide Plain Washer
PHMS	Pan Head Machine Screw
PLOW	Plow Bolt
RHMS	Round Head Machine Screw
RHSNB	Round Head Square Neck Bolt
SCREW LEVELING	Leveling Screw
SCREW THUMB	Thumb Screw
SCREW WELD	Weld Screw
SFCHMS	Slotted Flat Countersunk Head Machine Screw
SFHMS	Slotted Fillister Head Machine Screw
SP	Special
SP SCREW	Special Screw
SQHSS	Square Head Set Screw
SRHMS	Slotted Round Head Machine Screw
SSS	Socket Set Screw
STCS	Self Tapping Cap Screw
STHMS	Slotted Truss Head Machine Screw
WHEEL	Wheel Studs and Hub Long Bolts
WING	Wing Bolt

Replacement Hardware

The **Hardware Legend** above lists hardware abbreviations used in the parts list. All bolts and nuts are Grade 5 unless otherwise noted. The use of improper grades of hardware can result in personal injury, damage to equipment, or loss of property.

Colored Replacement Parts

Land Pride offers replacement parts in factory standard colors and also on select models in Green, Orange, Red and Blue. Because of the variety of colors available, special attention must be given to the part number to prevent ordering the wrong replacement part.

A suffix number corresponding to one of the colors below must be added at the end of Land Pride's part number when ordering a replacement part with that color.

81 Green 83 Red
82 Orange 84 Blue

For example, if you are ordering a replacement part with part number 555-555C and the part you need is red, then add the suffix 83 to the end of the number to make the part number read 555-555C83. Parts ordered without a suffix number will be supplied in factory standard colors.

Black Replacement Parts

Some parts are factory standard black and some must be special ordered black. If your part is special ordered black, a second part number with the additional suffix number 85 on the end will be available. In this situation you must order that part with the suffix number for it to be black. Parts that are factory standard black will not have the suffix number.

Part Number Service Coding

Within the parts list some part numbers are coded for revisions and interchangeability. See notations in revision column.

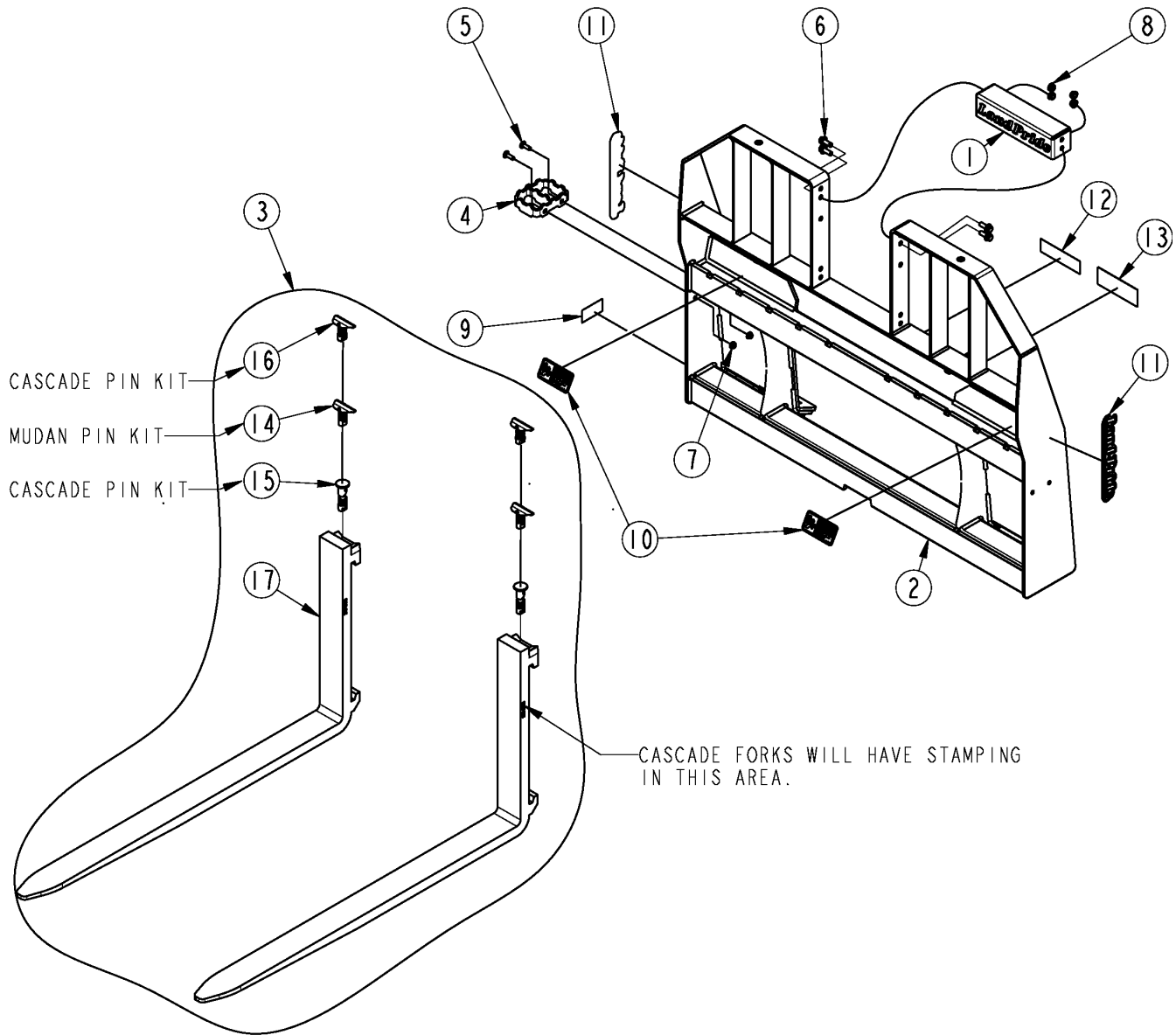
Serial Numbers

Always use the serial and model number when ordering parts. Refer to the Operator's Manual for serial number plate location.

- | | |
|----------------------|--|
| (S/N 20001+) | Includes serial numbers 20001 and above (to the latest number) |
| (S/N 10001 to 20000) | Includes serial numbers between and including 10001 and 20000 |
| (S/N 10000-) | Includes serial numbers 10000 and below (to the earliest number) |

Complete Assembly

Applies to PFL2042, PFL3042, PFL3048



Complete Assembly

Applies to PFL2042, PFL3042, PFL3048

Ref	Part No.	Part Description	Comments	Revision
	Dwg 27542	Drawing Image Number		
1.	319-034DLP	PLATE, LP LOGO CROSS		
2.	319-087H	FRAME, LIGHT PALLET FORK	S/N 814882+	
2.	319-037H	RPBY 319-090H	S/N 814881-	
3.	319-196S	SET, 1 1/4X3X42 ITA CL2 FORK	PFL2042 (Cascade forks & item 14 pin kits)	
3.	319-039S	RPBY 319-196S	PFL2042 (Mudan forks & item 13 pin kits)	
3.	319-044S	SET, 1 1/4X4X42 ITA CL2 FORK	PFL3042 (Switched to Cascade forks & item 15 pin kits)	
3.	319-045S	SET, 1 1/4X4X48 ITA CL2 FORK	PFL3048 (Switched to Cascade forks & item 15 pin kits)	
4.	350-527D	SKID STEP CASTING BLACK	S/N _____ +	
5.	802-282C	RHSNB 5/16-18X1 GR5	S/N _____ +	
6.	802-388C	HFS 3/8-16X1 GR5		
7.	803-177C	NUT HEX FLG TP LK 5/16-18ZNYCR	S/N _____ +	
8.	803-198C	NUT HEX WHIZ 3/8-16 PLT	S/N 1092397+	
8.	803-209C	NUT FLANGE LOCK 3/8-16 PLT	S/N 1092396-	
9.	818-190C	DECAL FLAG		
10.	818-798C	DECAL WARNING PINCH POINT GEN		
11.	848-159C	DECAL LANDPRIDE 10" BROWN/GOLD		
12.	848-364C	DECAL, PFL2042 GOLD	PFL2042	
12.	848-365C	DECAL, PFL3042 GOLD	PFL3042	
12.	848-366C	DECAL, PFL3048 GOLD	PFL3048	
13.	858-971C	DECAL WARNING SIDE LOAD	S/N 1233430+	
14.	891-216C	KIT, FORK POSITION LOCK PIN	PFL2042 (Mudan pin kit)	
15.	891-876C	PIN KIT CASCADE 7000031	PFL2042 (Cascade pin kit)	
16.	891-877C	PIN KIT CASCADE 7032054	PFL3042 & PFL3048 (Cascade pin kit)	
17.	N/A	FORK		

Land Pride Touch-up Paints

Applies to PFL2042, PFL3042, PFL3048

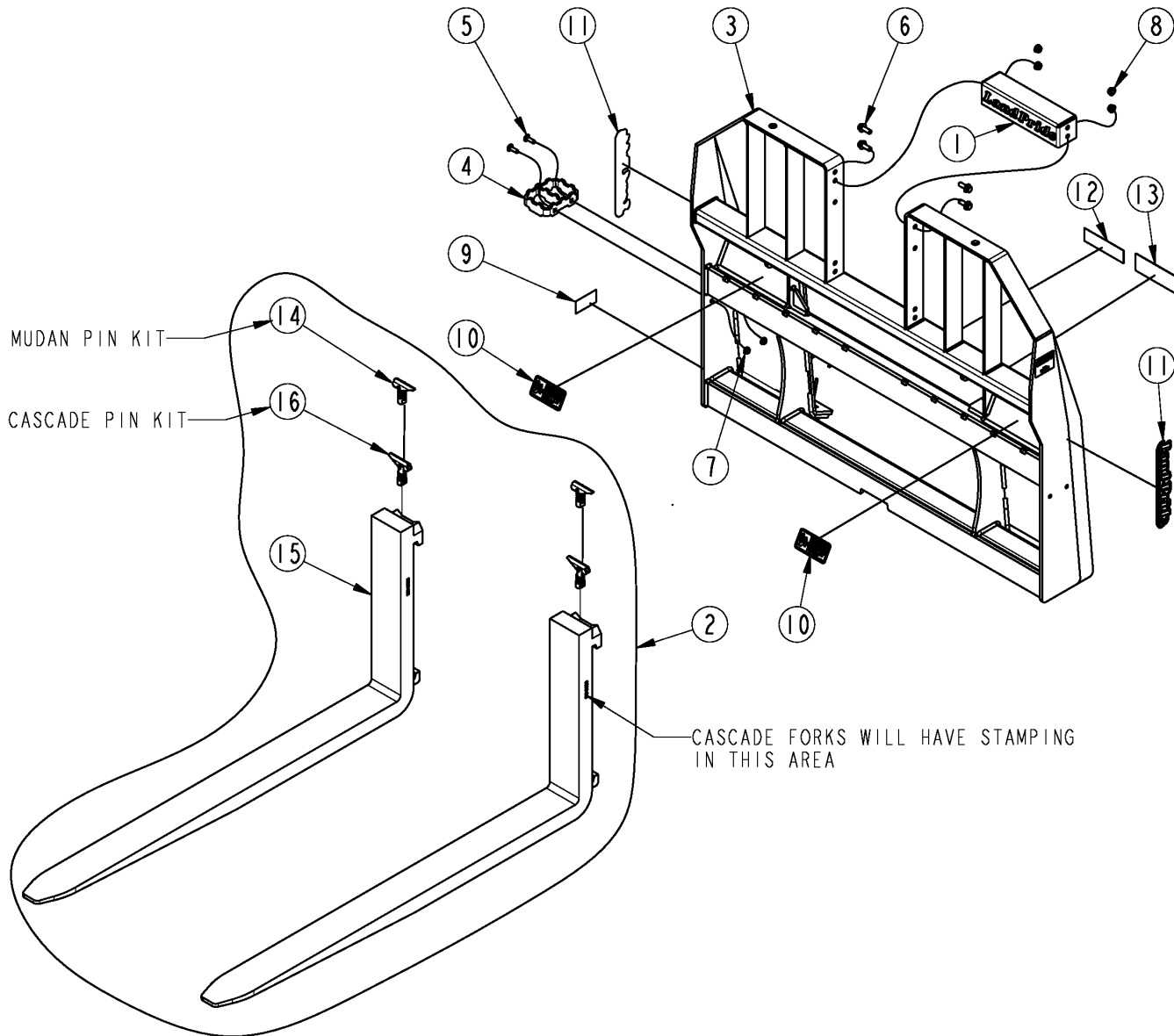
No diagram associated with this Parts List

Land Pride Touch-up Paints**Applies to PFL2042, PFL3042, PFL3048**

Ref	Part No.	Part Description	Comments	Revision
1.	821-011C	LP BEIGE SPRAY CAN	Spray can	
1.	821-011CTU	LP BEIGE TOUCH-UP 5OZ	Touch-up bottle with brush	
1.	821-011CQT	LP BEIGE QUART	Quart can	
1.	821-011CGL	LP BEIGE GALLON	Gallon can	
2.	821-070C	GLOSS BLACK SPRAY CAN	Spray can	
2.	821-070CTU	GLOSS BLACK TOUCH-UP 5OZ	Touch-up bottle with brush	
2.	821-070CQT	GLOSS BLACK QUART	Quart can	
2.	821-070CGL	GLOSS BLACK GALLON	Gallon can	
3.	821-054C	MED. RED SPRAY TRCK/CTR	Spray can	
3.	821-054CTU	MED RED TOUCH-UP 5OZ	Touch-up bottle with brush	
3.	821-054CQT	MED RED QUART	Quart can	
3.	821-054CGL	MED RED GALLON	Gallon can	
4.	821-058C	GREEN SPRAY CUTTERS	Spray can	
4.	821-058CTU	GREEN TOUCH-UP 5OZ	Touch-up bottle with brush	
4.	821-058CQT	GREEN QUART	Quart can	
4.	821-058CGL	GREEN GALLON	Gallon can	
5.	821-066C	ORANGE SPRAY CAN	Spray can	
5.	821-066CTU	ORANGE TOUCH-UP 5OZ	Touch-up bottle with brush	
5.	821-066CQT	ORANGE QUART	Quart can	
5.	821-066CGL	ORANGE GALLON	Gallon can	
6.	821-067C	BLUE SPRAY CAN	Spray can	
6.	821-067CTU	BLUE TOUCH-UP 5OZ	Touch-up bottle with brush	
6.	821-067CQT	BLUE QUART	Quart can	
6.	821-067CGL	BLUE GALLON	Gallon can	
7.	821-080C	PAINT ALUMINUM/ZINC SPRAY CAN	Spray can	
7.	821-080CTU	PAINT ALUMINUM/ZINC TOUCH UP	Touch-up bottle with brush	
7.	821-080CQT	PAINT ALUMINUM/ZINC QUART	Quart can	
7.	821-080CGL	PAINT ALUMINUM/ZINC GALLON	Gallon can	

Complete Assembly Skid Steer Hitch

Applies to PFL4548, PFL5548, PFL5560



Complete Assembly Skid Steer Hitch**Applies to PFL4548, PFL5548, PFL5560**

Ref	Part No.	Part Description	Comments	Revision
	Dwg 35858	Drawing Image Number		
1.	319-034DLP	PLATE, LP LOGO CROSS		
2.	319-082S	SET,1.77X3.94X48 ITA CL 2A FRK	PFL5548 (Switched to Cascade forks & pin kits)	
2.	319-083S	SET,1.77X3.94X60 ITA CL 2A FRK	PFL5560 (Switched to Cascade forks & pin kits)	
2.	319-047S	SET, 1 1/2X4X48 ITA CL2 FORK	PFL4548 (Switched to Cascade forks & pin kits)	
3.	319-090H	FRAME, MEDIUM PALLET FORK	S/N 814882+	
3.	319-037H	RPBY 319-090H	S/N 814881-	
4.	350-527D	SKID STEP CASTING BLACK		
5.	802-282C	RHSNB 5/16-18X1 GR5		
6.	802-388C	HFS 3/8-16X1 GR5		
7.	803-177C	NUT HEX FLG TP LK 5/16-18ZNYCR		
8.	803-198C	NUT HEX WHIZ 3/8-16 PLT	S/N 1092397+	
8.	803-209C	NUT FLANGE LOCK 3/8-16 PLT	S/N 1092396-	
9.	818-190C	DECAL FLAG		
10.	818-798C	DECAL WARNING PINCH POINT GEN		
11.	848-159C	DECAL LANDPRIDE 10" BROWN/GOLD		
12.	858-075C	DECAL, PFL5548 GOLD		
12.	858-076C	DECAL, PFL5560 GOLD		
12.	848-368C	DECAL, PFL4548 GOLD		
13.	858-971C	DECAL WARNING SIDE LOAD	S/N 1233430+	
14.	891-216C	KIT, FORK POSITION LOCK PIN	Mudan pin kit	
15.	N/A	FORK		
16.	891-877C	PIN KIT CASCADE 7032054	Cascade pin kit	

Land Pride Touch-up Paints

Applies to PFL4548, PFL5548, PFL5560

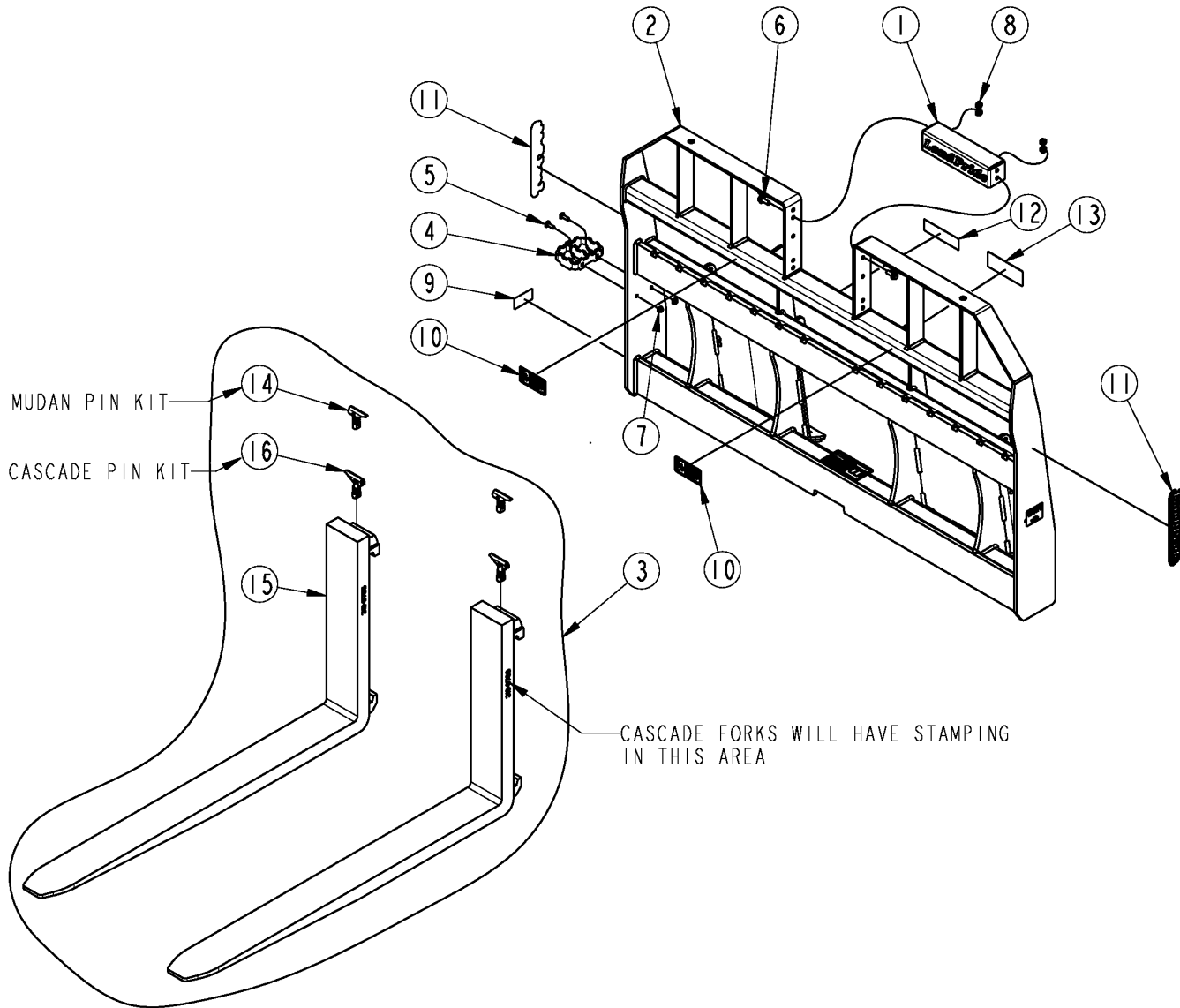
No diagram associated with this Parts List

Land Pride Touch-up Paints**Applies to PFL4548, PFL5548, PFL5560**

Ref	Part No.	Part Description	Comments	Revision
1.	821-011C	LP BEIGE SPRAY CAN	Spray can	
1.	821-011CTU	LP BEIGE TOUCH-UP 5OZ	Touch-up bottle with brush	
1.	821-011CQT	LP BEIGE QUART	Quart can	
1.	821-011CGL	LP BEIGE GALLON	Gallon can	
2.	821-070C	GLOSS BLACK SPRAY CAN	Spray can	
2.	821-070CTU	GLOSS BLACK TOUCH-UP 5OZ	Touch-up bottle with brush	
2.	821-070CQT	GLOSS BLACK QUART	Quart can	
2.	821-070CGL	GLOSS BLACK GALLON	Gallon can	
3.	821-054C	MED. RED SPRAY TRCK/CTR	Spray can	
3.	821-054CTU	MED RED TOUCH-UP 5OZ	Touch-up bottle with brush	
3.	821-054CQT	MED RED QUART	Quart can	
3.	821-054CGL	MED RED GALLON	Gallon can	
4.	821-058C	GREEN SPRAY CUTTERS	Spray can	
4.	821-058CTU	GREEN TOUCH-UP 5OZ	Touch-up bottle with brush	
4.	821-058CQT	GREEN QUART	Quart can	
4.	821-058CGL	GREEN GALLON	Gallon can	
5.	821-066C	ORANGE SPRAY CAN	Spray can	
5.	821-066CTU	ORANGE TOUCH-UP 5OZ	Touch-up bottle with brush	
5.	821-066CQT	ORANGE QUART	Quart can	
5.	821-066CGL	ORANGE GALLON	Gallon can	
6.	821-067C	BLUE SPRAY CAN	Spray can	
6.	821-067CTU	BLUE TOUCH-UP 5OZ	Touch-up bottle with brush	
6.	821-067CQT	BLUE QUART	Quart can	
6.	821-067CGL	BLUE GALLON	Gallon can	
7.	821-080C	PAINT ALUMINUM/ZINC SPRAY CAN	Spray can	
7.	821-080CTU	PAINT ALUMINUM/ZINC TOUCH UP	Touch-up bottle with brush	
7.	821-080CQT	PAINT ALUMINUM/ZINC QUART	Quart can	
7.	821-080CGL	PAINT ALUMINUM/ZINC GALLON	Gallon can	

Complete Assembly Skid Steer Hitch

Applies to PFL6448, PFL6460



35854

Complete Assembly Skid Steer Hitch**Applies to PFL6448, PFL6460**

Ref	Part No.	Part Description	Comments	Revision
	Dwg 35854	Drawing Image Number		
1.	319-034DLP	PLATE, LP LOGO CROSS		
2.	319-073H	6400LB PALLET FORK FRAME	At S/N _____+ the skid step is not part of this frame weldment.	
3.	319-076S	SET,1.77X4.8X48 ITA CL 3A FORK	PFL6448 (Switched to Cascade forks & pin kits)	
3.	319-077S	SET,1.77X4.8X60 ITA CL 3A FORK	PFL6460 (Switched to Cascade forks & pin kits)	
4.	350-527D	SKID STEP CASTING BLACK	S/N _____+	
5.	802-282C	RHSNB 5/16-18X1 GR5	S/N _____+	
6.	802-388C	HFS 3/8-16X1 GR5		
7.	803-177C	NUT HEX FLG TP LK 5/16-18ZNYCR	S/N _____+	
8.	803-198C	NUT HEX WHIZ 3/8-16 PLT	S/N 1092397+	
8.	803-209C	NUT FLANGE LOCK 3/8-16 PLT	S/N 1092396-	
9.	818-190C	DECAL FLAG		
10.	818-798C	DECAL WARNING PINCH POINT GEN		
11.	848-159C	DECAL LANDPRIDE 10" BROWN/GOLD		
12.	848-967C	DECAL, PFL6448 GOLD	PFL6448	
12.	848-968C	DECAL, PFL6460 GOLD	PFL6460	
13.	858-971C	DECAL WARNING SIDE LOAD	S/N _____+	
14.	891-216C	KIT, FORK POSITION LOCK PIN	Mudan pin kit	
15.	N/A	FORK		
16.	891-884C	PIN KIT CASCADE 7034635	Cascade pin kit	

Land Pride Touch-up Paints

Applies to PFL6448, PFL6460

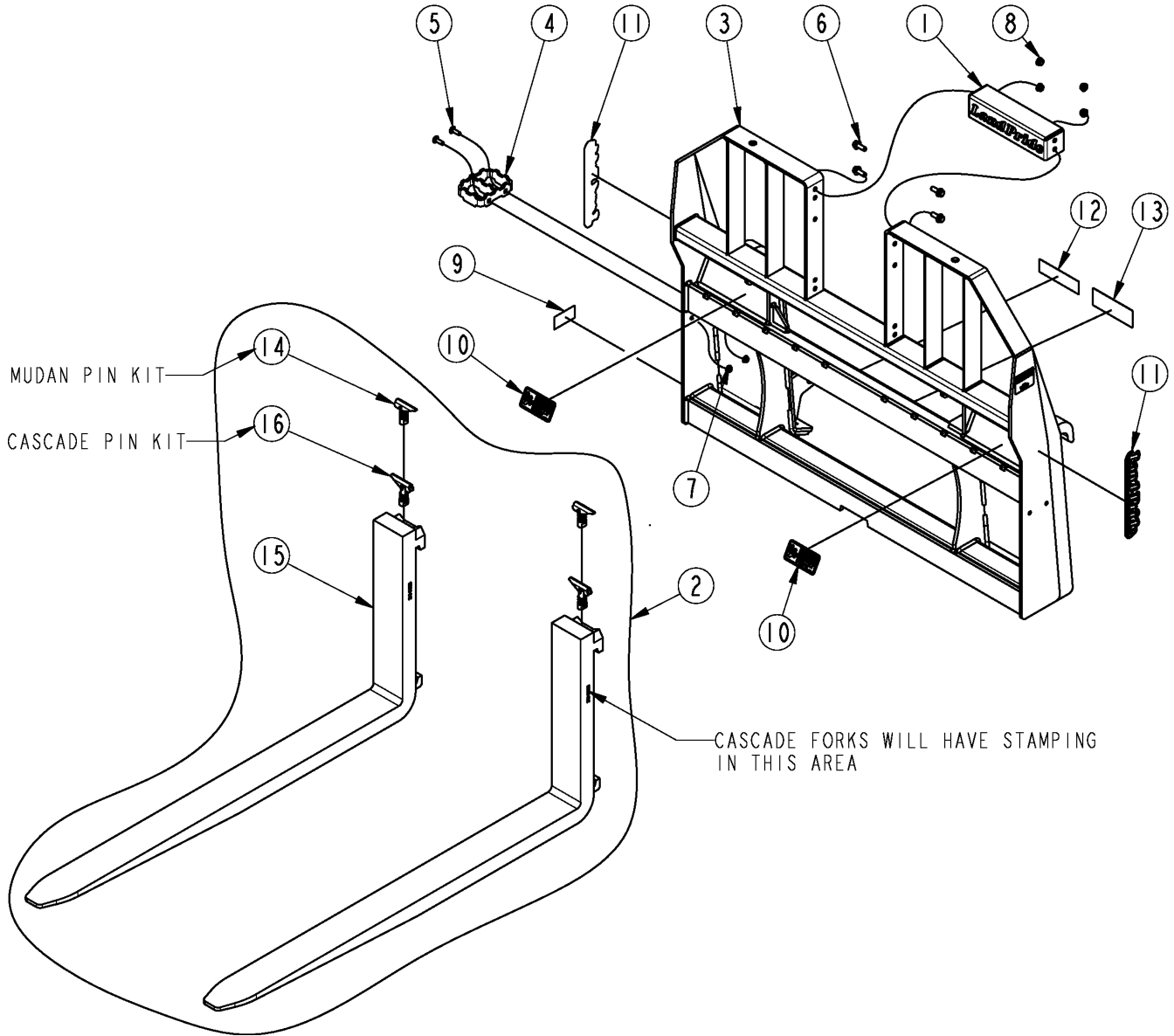
No diagram associated with this Parts List

Land Pride Touch-up Paints**Applies to PFL6448, PFL6460**

Ref	Part No.	Part Description	Comments	Revision
1.	821-011C	LP BEIGE SPRAY CAN	Spray can	
1.	821-011CTU	LP BEIGE TOUCH-UP 5OZ	Touch-up bottle with brush	
1.	821-011CQT	LP BEIGE QUART	Quart can	
1.	821-011CGL	LP BEIGE GALLON	Gallon can	
2.	821-070C	GLOSS BLACK SPRAY CAN	Spray can	
2.	821-070CTU	GLOSS BLACK TOUCH-UP 5OZ	Touch-up bottle with brush	
2.	821-070CQT	GLOSS BLACK QUART	Quart can	
2.	821-070CGL	GLOSS BLACK GALLON	Gallon can	
3.	821-054C	MED. RED SPRAY TRCK/CTR	Spray can	
3.	821-054CTU	MED RED TOUCH-UP 5OZ	Touch-up bottle with brush	
3.	821-054CQT	MED RED QUART	Quart can	
3.	821-054CGL	MED RED GALLON	Gallon can	
4.	821-058C	GREEN SPRAY CUTTERS	Spray can	
4.	821-058CTU	GREEN TOUCH-UP 5OZ	Touch-up bottle with brush	
4.	821-058CQT	GREEN QUART	Quart can	
4.	821-058CGL	GREEN GALLON	Gallon can	
5.	821-066C	ORANGE SPRAY CAN	Spray can	
5.	821-066CTU	ORANGE TOUCH-UP 5OZ	Touch-up bottle with brush	
5.	821-066CQT	ORANGE QUART	Quart can	
5.	821-066CGL	ORANGE GALLON	Gallon can	
6.	821-067C	BLUE SPRAY CAN	Spray can	
6.	821-067CTU	BLUE TOUCH-UP 5OZ	Touch-up bottle with brush	
6.	821-067CQT	BLUE QUART	Quart can	
6.	821-067CGL	BLUE GALLON	Gallon can	
7.	821-080C	PAINT ALUMINUM/ZINC SPRAY CAN	Spray can	
7.	821-080CTU	PAINT ALUMINUM/ZINC TOUCH UP	Touch-up bottle with brush	
7.	821-080CQT	PAINT ALUMINUM/ZINC QUART	Quart can	
7.	821-080CGL	PAINT ALUMINUM/ZINC GALLON	Gallon can	

Complete Assembly Euro Hitch

Applies to PFLE4548, PFLE5548, PFLE5560



35859

Complete Assembly Euro Hitch**Applies to PFLE4548, PFLE5548, PFLE5560**

Ref	Part No.	Part Description	Comments	Revision
	Dwg 35859	Drawing Image Number		
1.	319-034DLP	PLATE, LP LOGO CROSS		
2.	319-047S	SET, 1 1/2X4X48 ITA CL2 FORK	PFLE5548 (Switched to Cascade forks & pin kits)	
2.	319-082S	SET,1.77X3.94X48 ITA CL 2A FRK	PFLE5560 (Switched to Cascade forks & pin kits)	
2.	319-083S	SET,1.77X3.94X60 ITA CL 2A FRK	PFLE4548 (Switched to Cascade forks & pin kits)	
3.	319-096H	5500LB PALLET FORK FRAME EURO	Weldment revised at S/N 1066796	
4.	350-527D	SKID STEP CASTING BLACK		
5.	802-282C	RHSNB 5/16-18X1 GR5		
6.	802-388C	HFS 3/8-16X1 GR5		
7.	803-177C	NUT HEX FLG TP LK 5/16-18ZNYCR		
8.	803-198C	NUT HEX WHIZ 3/8-16 PLT	S/N 1092397+	
8.	803-209C	NUT FLANGE LOCK 3/8-16 PLT	S/N 1092396-	
9.	818-190C	DECAL FLAG		
10.	818-798C	DECAL WARNING PINCH POINT GEN		
11.	848-159C	DECAL LANDPRIDE 10" BROWN/GOLD		
12.	858-075C	DECAL, PFL5548 GOLD		
12.	858-076C	DECAL, PFL5560 GOLD		
12.	848-368C	DECAL, PFL4548 GOLD		
13.	858-971C	DECAL WARNING SIDE LOAD	S/N 1233430+	
14.	891-216C	KIT, FORK POSITION LOCK PIN	Mudan pin kit	
15.	N/A	FORK		
16.	891-877C	PIN KIT CASCADE 7032054	Cascade pin kit	

Land Pride Touch-up Paints

Applies to PFLE4548, PFLE5548, PFLE5560

No diagram associated with this Parts List

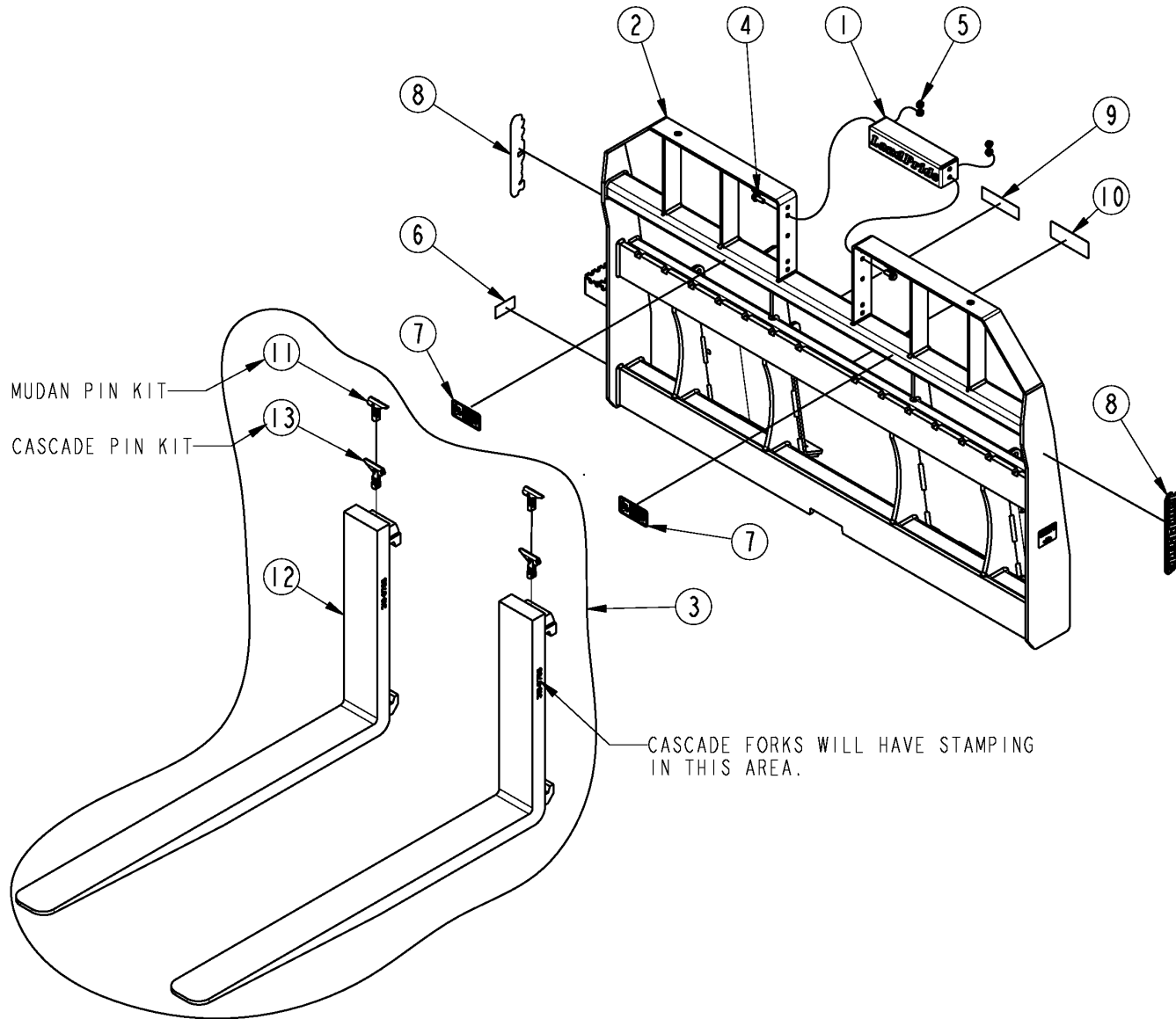
Land Pride Touch-up Paints

Applies to PFLE4548, PFLE5548, PFLE5560

Ref	Part No.	Part Description	Comments	Revision
1.	821-011C	LP BEIGE SPRAY CAN	Spray can	
1.	821-011CTU	LP BEIGE TOUCH-UP 5OZ	Touch-up bottle with brush	
1.	821-011CQT	LP BEIGE QUART	Quart can	
1.	821-011CGL	LP BEIGE GALLON	Gallon can	
2.	821-070C	GLOSS BLACK SPRAY CAN	Spray can	
2.	821-070CTU	GLOSS BLACK TOUCH-UP 5OZ	Touch-up bottle with brush	
2.	821-070CQT	GLOSS BLACK QUART	Quart can	
2.	821-070CGL	GLOSS BLACK GALLON	Gallon can	
3.	821-054C	MED. RED SPRAY TRCK/CTR	Spray can	
3.	821-054CTU	MED RED TOUCH-UP 5OZ	Touch-up bottle with brush	
3.	821-054CQT	MED RED QUART	Quart can	
3.	821-054CGL	MED RED GALLON	Gallon can	
4.	821-058C	GREEN SPRAY CUTTERS	Spray can	
4.	821-058CTU	GREEN TOUCH-UP 5OZ	Touch-up bottle with brush	
4.	821-058CQT	GREEN QUART	Quart can	
4.	821-058CGL	GREEN GALLON	Gallon can	
5.	821-066C	ORANGE SPRAY CAN	Spray can	
5.	821-066CTU	ORANGE TOUCH-UP 5OZ	Touch-up bottle with brush	
5.	821-066CQT	ORANGE QUART	Quart can	
5.	821-066CGL	ORANGE GALLON	Gallon can	
6.	821-067C	BLUE SPRAY CAN	Spray can	
6.	821-067CTU	BLUE TOUCH-UP 5OZ	Touch-up bottle with brush	
6.	821-067CQT	BLUE QUART	Quart can	
6.	821-067CGL	BLUE GALLON	Gallon can	
7.	821-080C	PAINT ALUMINUM/ZINC SPRAY CAN	Spray can	
7.	821-080CTU	PAINT ALUMINUM/ZINC TOUCH UP	Touch-up bottle with brush	
7.	821-080CQT	PAINT ALUMINUM/ZINC QUART	Quart can	
7.	821-080CGL	PAINT ALUMINUM/ZINC GALLON	Gallon can	

Complete Assembly Euro Hitch

Applies to PFLE6448, PFLE6460



Complete Assembly Euro Hitch**Applies to PFLE6448, PFLE6460**

Ref	Part No.	Part Description	Comments	Revision
	Dwg 35855	Drawing Image Number		
1.	319-034DLP	PLATE, LP LOGO CROSS		
2.	319-086H	6400LB PALLET FORK FRAME EURO		
3.	319-076S	SET,1.77X4.8X48 ITA CL 3A FORK	PFLE6448 (Switched to Cascade forks & pin kits)	
3.	319-077S	SET,1.77X4.8X60 ITA CL 3A FORK	PFLE6460 (Switched to Cascade forks & pin kits)	
4.	802-388C	HFS 3/8-16X1 GR5		
5.	803-198C	NUT HEX WHIZ 3/8-16 PLT	S/N 1092397+	
5.	803-209C	NUT FLANGE LOCK 3/8-16 PLT	S/N 1092396-	
6.	818-190C	DECAL FLAG		
7.	818-798C	DECAL WARNING PINCH POINT GEN		
8.	848-159C	DECAL LANDPRIDE 10" BROWN/GOLD		
9.	848-967C	DECAL, PFL6448 GOLD	PFL6448	
9.	848-968C	DECAL, PFL6460 GOLD	PFL6460	
10.	858-971C	DECAL WARNING SIDE LOAD	S/N 1233430+	
11.	891-216C	KIT, FORK POSITION LOCK PIN	Mudan pin kit	
12.	N/A	FORK		
13.	891-884C	PIN KIT CASCADE 7034635	Cascade pin kit	

Land Pride Touch-up Paints

Applies to PFLE6448, PFLE6460

No diagram associated with this Parts List

Land Pride Touch-up Paints**Applies to PFLE6448, PFLE6460**

Ref	Part No.	Part Description	Comments	Revision
1.	821-011C	LP BEIGE SPRAY CAN	Spray can	
1.	821-011CTU	LP BEIGE TOUCH-UP 5OZ	Touch-up bottle with brush	
1.	821-011CQT	LP BEIGE QUART	Quart can	
1.	821-011CGL	LP BEIGE GALLON	Gallon can	
2.	821-070C	GLOSS BLACK SPRAY CAN	Spray can	
2.	821-070CTU	GLOSS BLACK TOUCH-UP 5OZ	Touch-up bottle with brush	
2.	821-070CQT	GLOSS BLACK QUART	Quart can	
2.	821-070CGL	GLOSS BLACK GALLON	Gallon can	
3.	821-054C	MED. RED SPRAY TRCK/CTR	Spray can	
3.	821-054CTU	MED RED TOUCH-UP 5OZ	Touch-up bottle with brush	
3.	821-054CQT	MED RED QUART	Quart can	
3.	821-054CGL	MED RED GALLON	Gallon can	
4.	821-058C	GREEN SPRAY CUTTERS	Spray can	
4.	821-058CTU	GREEN TOUCH-UP 5OZ	Touch-up bottle with brush	
4.	821-058CQT	GREEN QUART	Quart can	
4.	821-058CGL	GREEN GALLON	Gallon can	
5.	821-066C	ORANGE SPRAY CAN	Spray can	
5.	821-066CTU	ORANGE TOUCH-UP 5OZ	Touch-up bottle with brush	
5.	821-066CQT	ORANGE QUART	Quart can	
5.	821-066CGL	ORANGE GALLON	Gallon can	
6.	821-067C	BLUE SPRAY CAN	Spray can	
6.	821-067CTU	BLUE TOUCH-UP 5OZ	Touch-up bottle with brush	
6.	821-067CQT	BLUE QUART	Quart can	
6.	821-067CGL	BLUE GALLON	Gallon can	
7.	821-080C	PAINT ALUMINUM/ZINC SPRAY CAN	Spray can	
7.	821-080CTU	PAINT ALUMINUM/ZINC TOUCH UP	Touch-up bottle with brush	
7.	821-080CQT	PAINT ALUMINUM/ZINC QUART	Quart can	
7.	821-080CGL	PAINT ALUMINUM/ZINC GALLON	Gallon can	



Part Number Index

The Part Number Index is a numeric index of all part numbers included in this manual. The index shows what page(s) the part is used on.

<u>Part Number</u>	<u>Page</u>	<u>Part Number</u>	<u>Page</u>
319-034DLP	7, 11, 15, 19, 23	Dwg 35859	19
319-037H	7, 11	N/A	7, 11, 15, 19, 23
319-039S	7		
319-044S	7		
319-045S	7		
319-047S	11, 19		
319-073H	15		
319-076S	15, 23		
319-077S	15, 23		
319-082S	11, 19		
319-083S	11, 19		
319-086H	23		
319-087H	7		
319-090H	11		
319-096H	19		
319-196S	7		
350-527D	7, 11, 15, 19		
802-282C	7, 11, 15, 19		
802-388C	7, 11, 15, 19, 23		
803-177C	7, 11, 15, 19		
803-198C	7, 11, 15, 19, 23		
803-209C	7, 11, 15, 19, 23		
818-190C	7, 11, 15, 19, 23		
818-798C	7, 11, 15, 19, 23		
821-011C	9, 13, 17, 21, 25		
821-011CGL	9, 13, 17, 21, 25		
821-011CQT	9, 13, 17, 21, 25		
821-011CTU	9, 13, 17, 21, 25		
821-054C	9, 13, 17, 21, 25		
821-054CGL	9, 13, 17, 21, 25		
821-054CQT	9, 13, 17, 21, 25		
821-054CTU	9, 13, 17, 21, 25		
821-058C	9, 13, 17, 21, 25		
821-058CGL	9, 13, 17, 21, 25		
821-058CQT	9, 13, 17, 21, 25		
821-058CTU	9, 13, 17, 21, 25		
821-066C	9, 13, 17, 21, 25		
821-066CGL	9, 13, 17, 21, 25		
821-066CQT	9, 13, 17, 21, 25		
821-066CTU	9, 13, 17, 21, 25		
821-067C	9, 13, 17, 21, 25		
821-067CGL	9, 13, 17, 21, 25		
821-067CQT	9, 13, 17, 21, 25		
821-067CTU	9, 13, 17, 21, 25		
821-070C	9, 13, 17, 21, 25		
821-070CGL	9, 13, 17, 21, 25		
821-070CQT	9, 13, 17, 21, 25		
821-070CTU	9, 13, 17, 21, 25		
821-080C	9, 13, 17, 21, 25		
821-080CGL	9, 13, 17, 21, 25		
821-080CQT	9, 13, 17, 21, 25		
821-080CTU	9, 13, 17, 21, 25		
848-159C	7, 11, 15, 19, 23		
848-364C	7		
848-365C	7		
848-366C	7		
848-368C	11, 19		
848-967C	15, 23		
848-968C	15, 23		
858-075C	11, 19		
858-076C	11, 19		
858-971C	7, 11, 15, 19, 23		
891-216C	7, 11, 15, 19, 23		
891-876C	7		
891-877C	7, 11, 19		
891-884C	15, 23		
Dwg 27542	7		
Dwg 35854	15		
Dwg 35855	23		
Dwg 35858	11		

This Page Intentionally Left Blank



Great Plains Manufacturing, Inc.

Corporate Office: P.O. Box 5060
Salina, Kansas 67402-5060 USA

www.landpride.com
