

# Baffle Kit Assembly Instructions and Shredder Kit Assembly Instructions



RC(M)5015 with Omni Gearboxes (S/N 325492-)

Manual No. 318-311M

## Before You Start



When you see this symbol, the subsequent instructions and warnings are serious - follow without exception. Your life and the lives of others depend on it!

**IMPORTANT:** Before you begin, read these instructions and check to be sure all parts and tools are accounted for. Please retain these installation instructions for future reference and parts ordering information.

Your RC5015 Baffle/Shredder Kit Omni Gearbox S/N 325492- is exclusively designed for your Land Pride RC5015 Rotary Cutter. Please read these installation instructions and your RC5015 Rotary Cutter Operator's Manual thoroughly before beginning. Especially read information relating to safety concerns. Also included in the Operator's Manual is important information on operation, adjustment, troubleshooting, and maintenance for this attachment (some manual sections do not apply to all accessories).

## General Information

These assembly instructions apply to the following RC5015 Baffle/Shredder Kit Accessories listed below:

**318-311A ASSY.BAFFLE/SHRD OMNI RC50**

## Further Assistance

Your dealer wants you to be satisfied with your new RC5015 Baffle/Shredder Kit Omni Gearbox S/N 325492-. If for any reason you do not understand any part of this manual or are not satisfied with the service received, the following actions are suggested:

1. Discuss the matter with your dealership service manager making sure he is aware of any problems you may have and that he has had the opportunity to assist you.
2. If you are still not satisfied, seek out the owner or general manager of the dealership, explain the problem and request assistance.
3. For further assistance write to:

**Land Pride Service Department**  
1525 East North Street  
P.O. Box 5060  
Salina, Ks. 67402-5060

E-mail address  
lpservicedept@landpride.com

## Assembly Instructions

A detailed listing of parts for this accessory kit is provided on page 4. Use the list as a checklist to inventory parts received. Please contact your local Land Pride dealer for any missing hardware.



### CAUTION

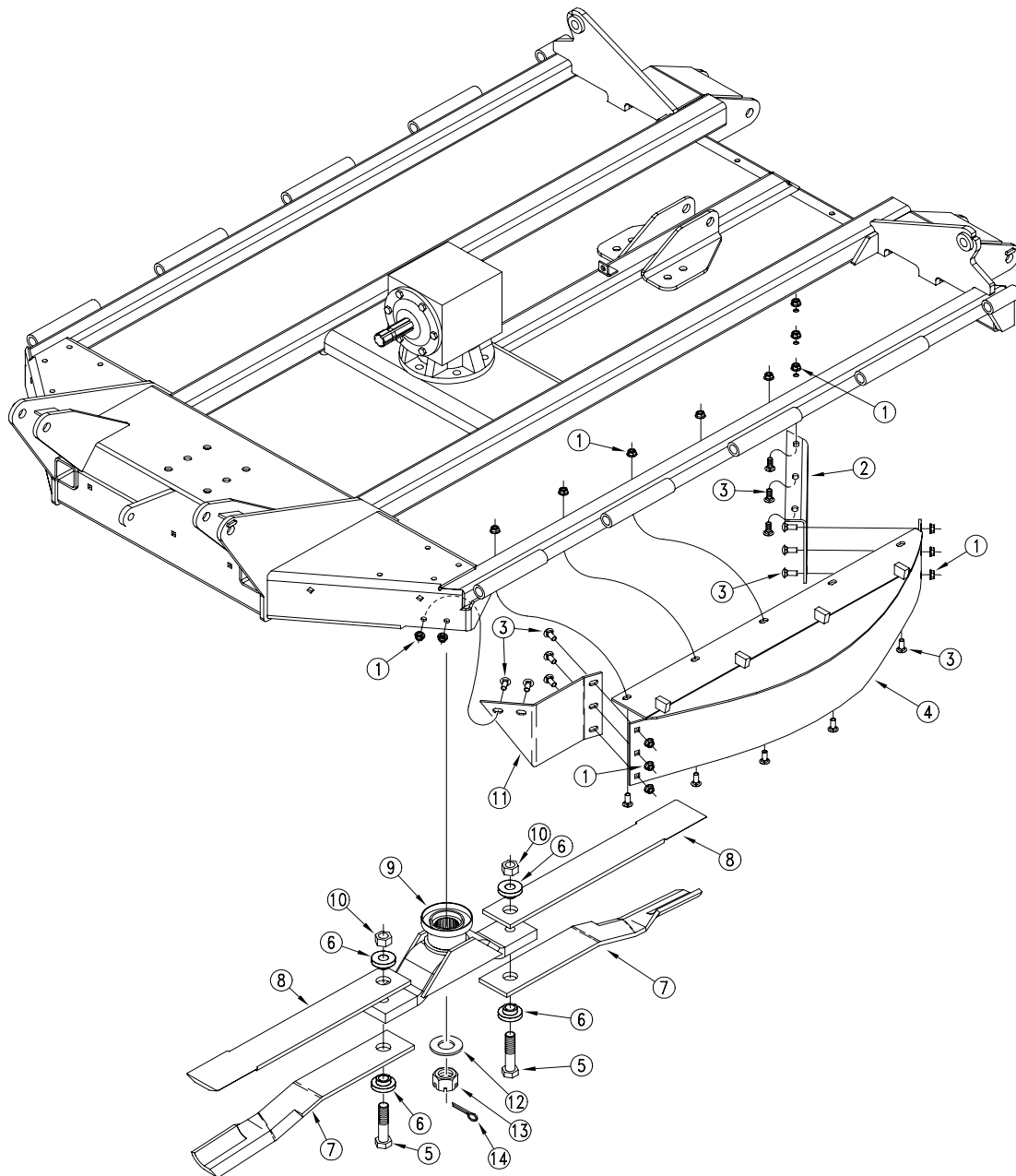
*Lower implement to the ground, put tractor in park, turn off engine, engage parking brake, and remove key before performing installation of the Baffle/Shredder Kit.*

### Baffle/Shredder Installation

Before the Baffle/Shredder Kit can be installed holes will have to be drilled in the center deck. Refer to page 3 for hole locations.

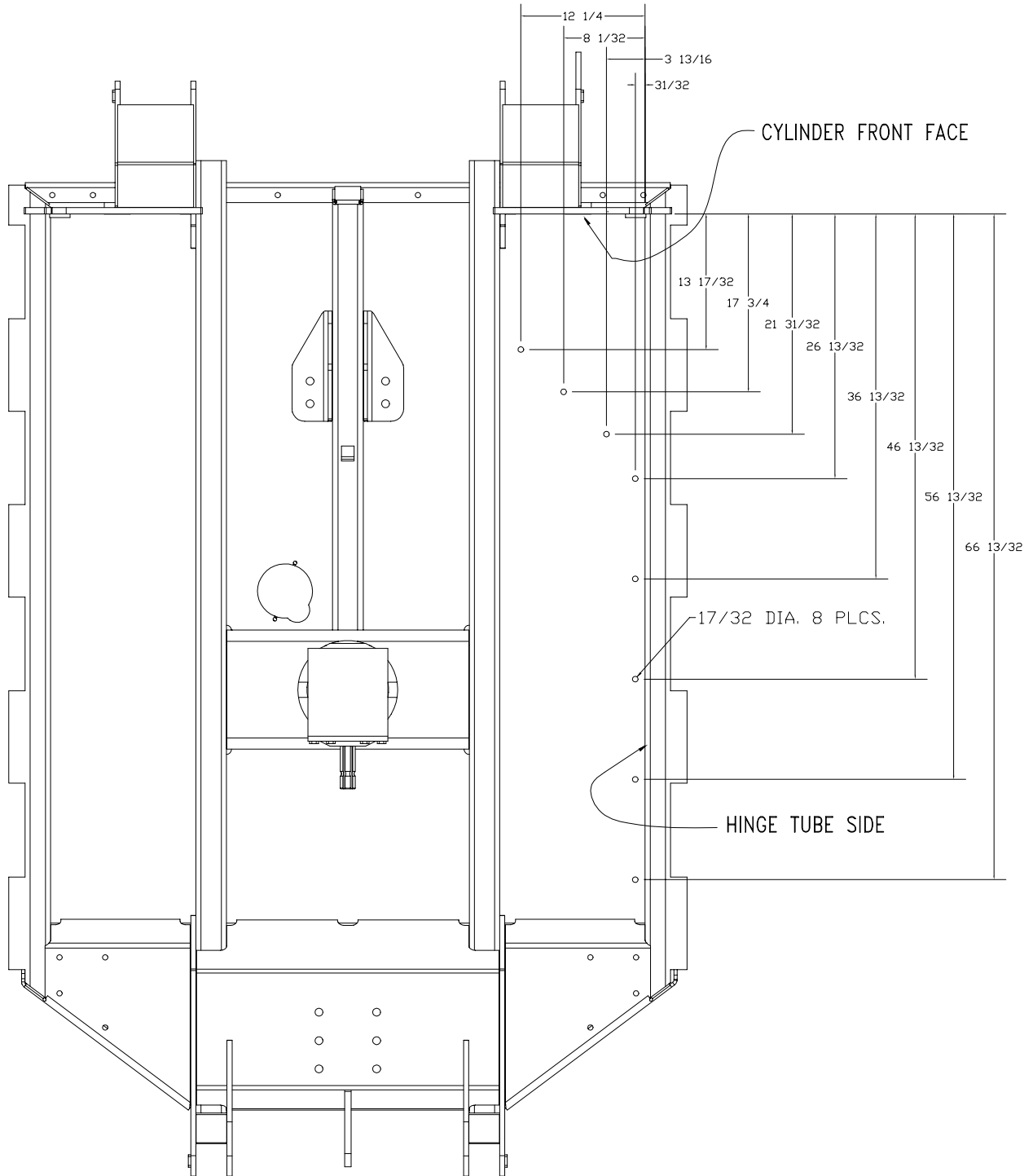
1. Assemble Front Mounting Plate (#11) and Rear Mounting Plate (#2) to Center Baffle (#4) with carriage bolts (#3) and flange nuts (#1) as shown.
2. Mount this assembly in the holes that were drilled in the center deck using the carriage bolts (#3) and flange nuts (#1).
3. Remove blade carrier assembly from gearbox output shaft. Keep the hardened washer (#12) slotted hex nut (#13) and cotter pin (#14) to use in step #4.
4. Install the Blade carrier (#9) to the gearbox output shaft. Installing the blade carrier without the blades attached will be much easier. Reinstall washer (#12) and nut (#13). The slotted nut should be torqued to 550 ft./lbs. The cotter pin (#14) should be installed in the nut with legs securely bent around the nut.
5. Assemble the blades (#7) and (#8) to the blade carrier (#9). Torque blade bolt lock nut (#10) to 450 ft./lbs. An extended cheater bar may be required to achieve proper torque.
6. Repeat steps 3, 4 and 5 for Right Hand and Left Hand Deck.

# Assembly Instructions



## Assembly Instructions

**NOTE:** Horizontal dimensions are referenced from side of hinge tube. Vertical dimensions are referenced from front side of hydraulic cylinder lug.



**Listing of Parts****Kit No. 318-311A****ASSY.BAFFLE/SHRD OMNI RC50**

<b>Item</b>	<b>Qty.</b>	<b>Part No.</b>	<b>Part Description</b>
1	16	803-037C	NUT HEX WHIZ 1/2-13 PLT
2	1	318-308D	BAFFLE REAR MOUNTING PLATE
3	16	802-214C	RHSNB 1/2-13X1 1/4 GR5
4	1	318-303H	WELDMENT CENTER BAFFLE
5	6	802-680C	HHCS 1-8 X 4 1/2 PLT GR8
6	12	318-309D	BLADED BUSHING
7	2	820-168C	CUTTER BLADE 1/2X4X29 CCW .....Center Deck Shown
8	2	820-216C	CUTTER BLADE 1/2X4X28.5 FLAT .....Center Deck Shown
9	3	318-302H	WELDMENT BLADE CARRIER
10	6	803-168C	NUT HEX TOP LOCK 1-8 PLT
11	1	318-346D	BAFFLE FRONT MOUNTING PLATE
	2	820-169C	CUTTER BLADE 1/2X4X23 CCW ..... RH Wing Not Shown
	2	820-170C	CUTTER BLADE 1/2X4X23 CW ..... LH Wing Not Shown
	4	820-217C	CUTTER BLADE 1/2X4X22.5 FLAT ..... LH & RH Wings Not Shown