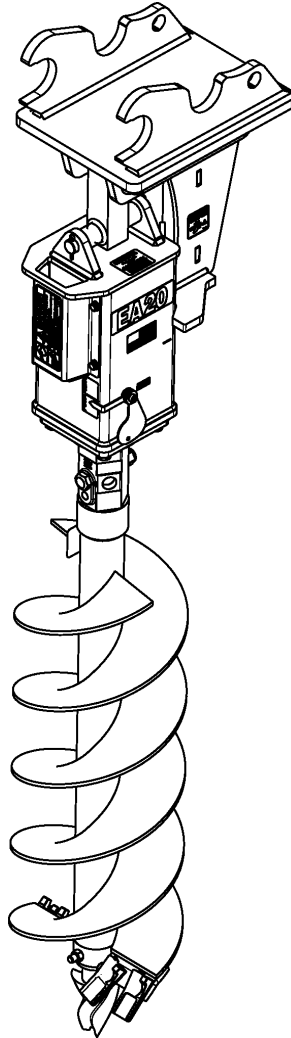


Excavator Auger

AP-EA20



70228

Kubota®

317-252PK
Parts Manual



Read the Operator's Manual entirely. When you see this symbol, the subsequent instructions and warnings are serious - follow without exception. Your life and the lives of others depend on it!

© Copyright 2018 Printed 07/11/18

Cover photo may show optional equipment not supplied with standard unit.



Table of Contents

Section 1: Introduction	4
Using This Manual.....	4
Manual Replacement Information.....	4
Manual Revisions.....	4
Touch-up Paint.....	4
Hardware Legend.....	5
Replacement Hardware.....	5
Serial Numbers.....	5
Part Number Service Coding.....	5
Section 2: Main Body	6
Motor & Gearbox.....	6
Section 3: Gearbox	8
Gearbox (826-805C).....	8
Section 4: Hydraulic Motor	10
Hydraulic Motor (850-252C) White.....	10
Hydraulic Motor (850-255C) White.....	12
Hydraulic Motor (850-256C) White.....	14
Section 5: Decals	16
Decal Placement.....	16
Section 6: Options & Accessories	18
12" Bolt-On Rock Head (317-276A).....	18
15" Bolt-On Rock Head (317-277A).....	20
18" Bolt-On Rock Head (317-278A).....	22
24" Bolt-On Rock Head (317-279A).....	24
6" Bolt-On Rock Head (317-274A).....	26
9" Bolt-On Rock Head (317-275A).....	28
Auger Mount EA20.....	30
Augers & Extensions.....	32
Cradle.....	34
Hose Kits EA20.....	36
Motor & Gearbox Bundle.....	38
Part Number Index	40

© Copyright 2018. All rights reserved.

Kubota provides this publication "as is" without warranty of any kind, either expressed or implied. While every precaution has been taken in the preparation of this manual, Kubota assumes no responsibility for errors or omissions. Neither is any liability assumed for damages resulting from the use of the information contained herein. Kubota reserves the right to revise and improve its products as it sees fit. This publication describes the state of this product at the time of its publication, and may not reflect the product in the future. The illustrations in this manual are not intended for safe and proper assembly or disassembly of equipment. The illustrations are intended for ordering parts only.

Kubota is registered trademark.

All other brands and product names are trademarks or registered trademarks of their respective holders.

Printed in the United States of America.



Alphabetized Table of Contents

1	
12" Bolt-On Rock Head (317-276A).....	18
15" Bolt-On Rock Head (317-277A).....	20
18" Bolt-On Rock Head (317-278A).....	22
2	
24" Bolt-On Rock Head (317-279A).....	24
6	
6" Bolt-On Rock Head (317-274A).....	26
9	
9" Bolt-On Rock Head (317-275A).....	28
A	
Auger Mount EA20.....	30
Augers & Extensions.....	32
C	
Cradle.....	34
D	
Decal Placement.....	16
G	
Gearbox (826-805C).....	8
H	
Hose Kits EA20.....	36
Hydraulic Motor (850-252C) White.....	10
Hydraulic Motor (850-255C) White.....	12
Hydraulic Motor (850-256C) White.....	14
M	
Motor & Gearbox.....	6
Motor & Gearbox Bundle.....	38

General Information

Using This Manual

This manual is divided into sections. The first section contains General Information. The remaining sections divide the machine into segments (i.e. Frames, Drives, Hydraulics, etc.) which illustrate and list all parts. A Parts Number Index is located at the back of the book.

The Kubota parts in this manual are specially designed for this machine and should be replaced with Kubota parts only.

The information in this manual is current at time of printing. Some parts may change to assure top performance.

Right-hand and left-hand as used in this manual are determined by facing the direction the machine will travel while in use.

Below is an example of two facing pages from a parts manual. Familiarize yourself with the type of information contained on these pages.

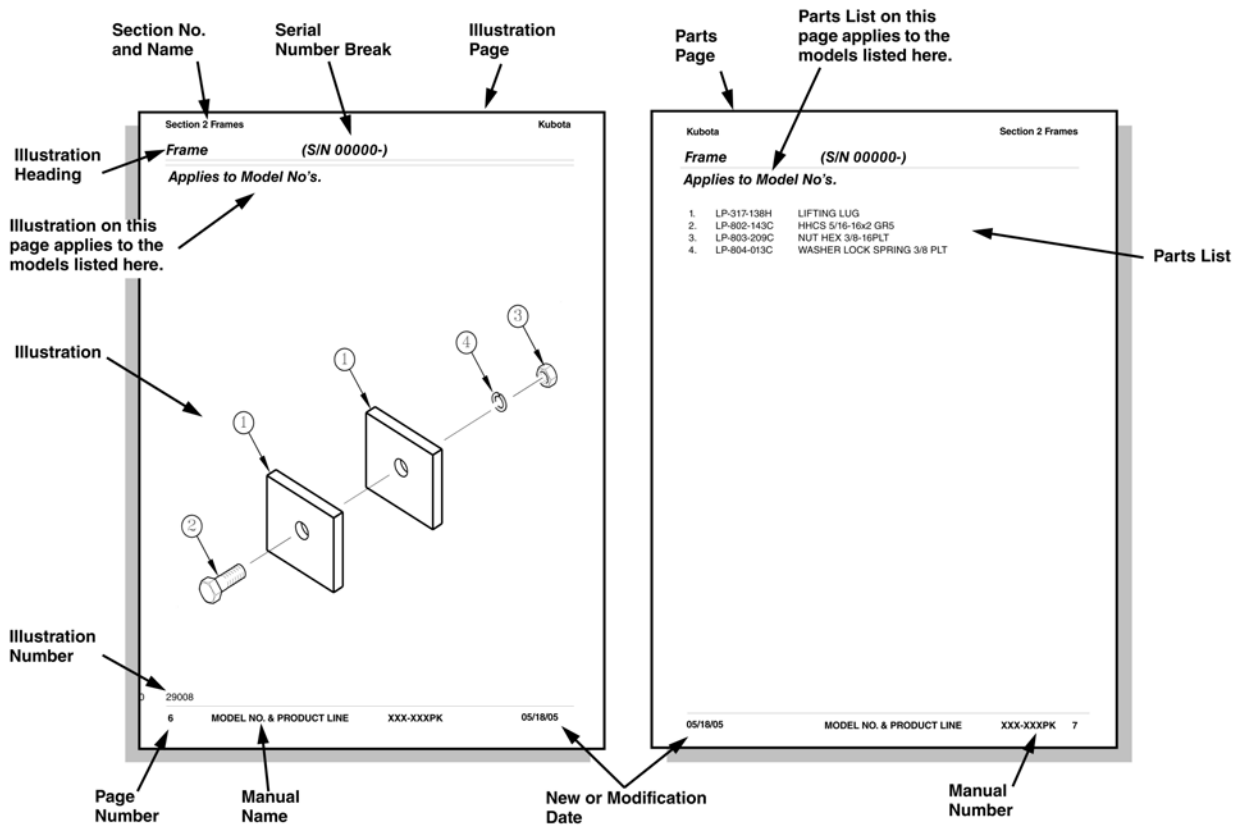
Manual Replacement Information

Replacement manuals are available. Refer to our website at www.landpride.com for additional information. Our website continues to provide the most up-to-date manuals available.

Touch-up Paint

Repaint parts where paint is worn or scratched to prevent rust. Aerosol cans and touch-up bottles with brush applicator are available through your local dealer. Also available are quart and gallon size paints. Add QT or GL to end of the Aerosol P/N.

Kubota color descriptions and part numbers are listed on the "Kubota Touch-up Paints" page in the "Decals" section of this book.



General Information

Hardware Legend

AR	As Required
BLADE	Blade Bolt
C	Cap Screw
CP	Cotter Pin
CPHSSS	Cup Point Hex Socket Set Screw
CPSHSS	Cup Point Square Head Set Screw
CPSQHSS	Cup Point Square Head Set Screw
CRFCHMS3	Cross Recess Flat Countersunk Head Machine Screw
CRPHMS	Cross Recess Pan Head Machine Screw
CRPHTFS	Cross Recess Pan Head Thread Forming
CRRHMS	Cross Recess Round Head Machine Screw
CRTHMS	Cross Recess Truss Head Machine Screw
CSNB	Countersunk Square Neck Bolt
FHMS	Flat Head Machine Screw
FTC	Full Thread Cap Screw
H	Hex Nut
HCLN	Hex Center Lock Nut
HFLCS	Hex Flange Lock Cap Screw
HFS	Hex Flange Screw
HFSLN	Hex Flange Serrated Lock Nut
HFSS	Hex Flange Serrated Screw
HHCS	Hex Head Cap Screw or Metric Bolt
HSBHCS	Hex Socket Button Head Cap Screw
HSFCHCS	Hex Socket Flat Countersunk Head Cap Screw
HSHCS	Hex Socket Head Cap Screw
HSSS	Hex Socket Head Screw
HTLN	Hex Top Lock Nut
HWHCS	Hex Washer Head Cap Screw

HWHMS	Hex Washer Head Machine Screw
HXBHCS	Hex Socket Button Head Cap Screw
J	Hex Jam Nut
JIC	37 Degree Tapered Thread
L	Helical Spring Lock Washer
LUG	Lug Bolt
NFC	National Fine Cap Screw
NPSM	National Pipe Straight Mechanical
NPTF	National Pipe Taper Fuel
P	Wide Plain Washer
PHMS	Pan Head Machine Screw
PLOW	Plow Bolt
RHMS	Round Head Machine Screw
RHSNB	Round Head Square Neck Bolt
SCREW LEVELING	Leveling Screw
SCREW THUMB	Thumb Screw
SCREW WELD	Weld Screw
SFCHMS	Slotted Flat Countersunk Head Machine Screw
SFHMS	Slotted Fillister Head Machine Screw
SP	Special
SP SCREW	Special Screw
SQHSS	Square Head Set Screw
SRHMS	Slotted Round Head Machine Screw
SSS	Socket Set Screw
STCS	Self Tapping Cap Screw
STHMS	Slotted Truss Head Machine Screw
WHEEL	Wheel Studs and Hub Long Bolts
WING	Wing Bolt

Replacement Hardware

The **Hardware Legend** above lists hardware abbreviations used in the parts list. All bolts and nuts are Grade 5 unless otherwise noted. The use of improper grades of hardware can result in personal injury, damage to equipment, or loss of property.

Part Number Service Coding

Within the parts list some part numbers are coded for revisions and interchangeability. See notations in revision column.

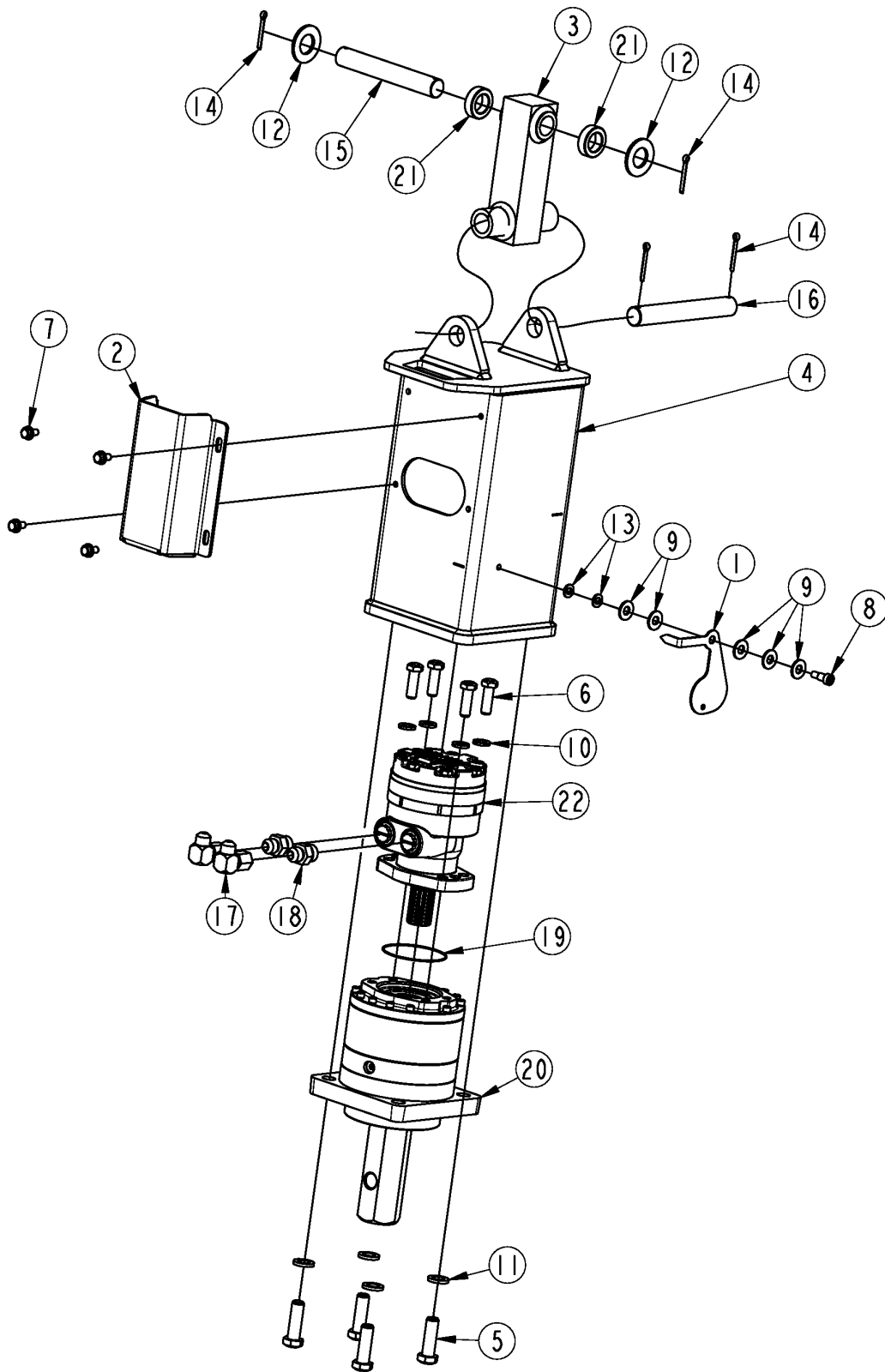
Serial Numbers

Always use the serial and model number when ordering parts. Refer to the Operator's Manual for serial number plate location.

- (S/N 20001+) Includes serial numbers 20001 and above (to the latest number)
- (S/N 10001 to 20000) Includes serial numbers between and including 10001 and 20000
- (S/N 10000-) Includes serial numbers 10000 and below (to the earliest number)

Motor & Gearbox

Applies to AP-EA20



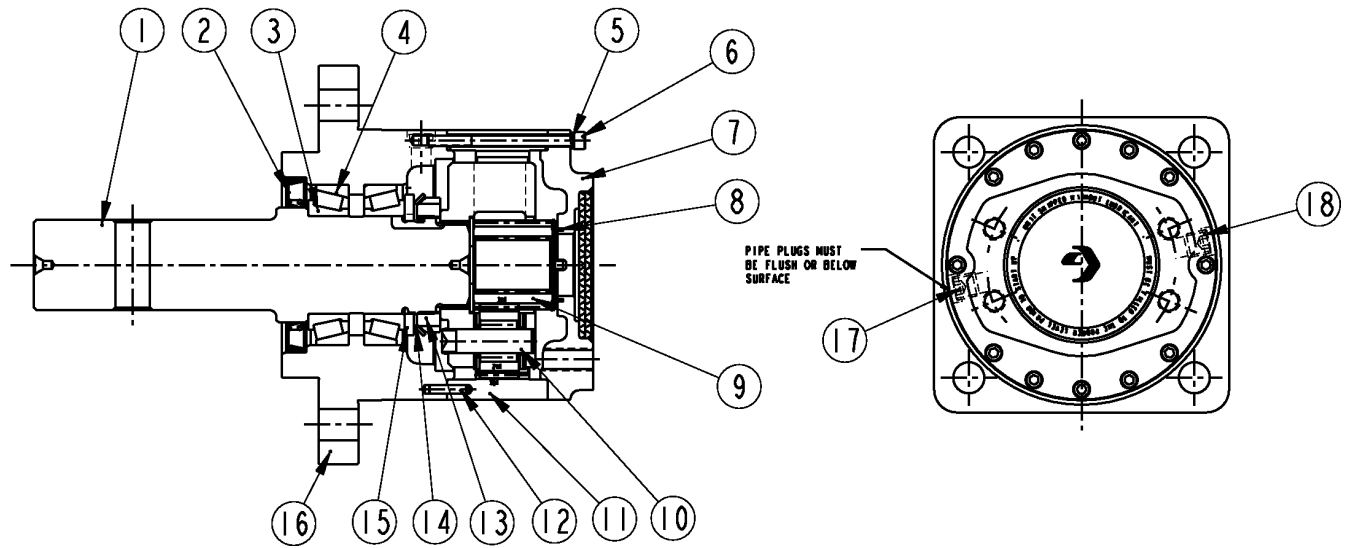
70229

Motor & Gearbox**Applies to AP-EA20**

Ref	Part No.	Part Description	Comments	Revision
	Dwg 70229	Image No.		
1.	317-164D	VERTICAL INDICATOR		
2.	317-165D	COVER, HYD HOSE		
3.	317-218H	WMT, KNUCKLE		
4.	317-245H	WMT, MOTOR/GBOX HOUSING		
5.	802-055C	HHCS 5/8-11X2 GR5		
6.	802-091C	HHCS 1/2-13X1 1/2 GR5		
7.	802-488C	HFSS 5/16-18X5/8 GR5		
8.	802-794C	SHOULDER BOLT 3/8X1/2X5/16-18		
9.	804-011C	WASHER FLAT 3/8 USS PLT		
10.	804-015C	WASHER LOCK SPRING 1/2 PLT		
11.	804-022C	WASHER LOCK SPRING 5/8 PLT		
12.	804-029C	WASHER FLAT 1 SAE		
13.	804-036C	WASHER FLAT 5/16 SAE PLT		
14.	805-104C	PIN COTTER 3/16 X 1 1/2 PLT		
15.	805-491C	PIN CLVS HDLSS 1.00X6.23 USBL		
16.	805-531C	PIN, 1.0X 6.68 USABLE		
17.	811-150C	EL 3/4FJIC 3/4MJIC		
18.	811-192C	AD 3/4MJIC 7/8MORB		
19.	816-836C	O-RING 3 1/4ID X 3 3/8OD		
20.	826-805C	GBOX 3.60:1 14T PLNTRY 2 HEX		
21.	827-001C	SPACER 1/2		
22.	850-255C	HYD MTR 10 CU IN DSP W/14T SPL	Low flow	
22.	850-256C	HYD MTR 12 CU IN DSP W/14T SPL	Medium flow	
22.	850-252C	HYD MTR 18 CU IN DSP W/14T SPL	High flow	

Gearbox (826-805C)

Applies to AP-EA20



37313

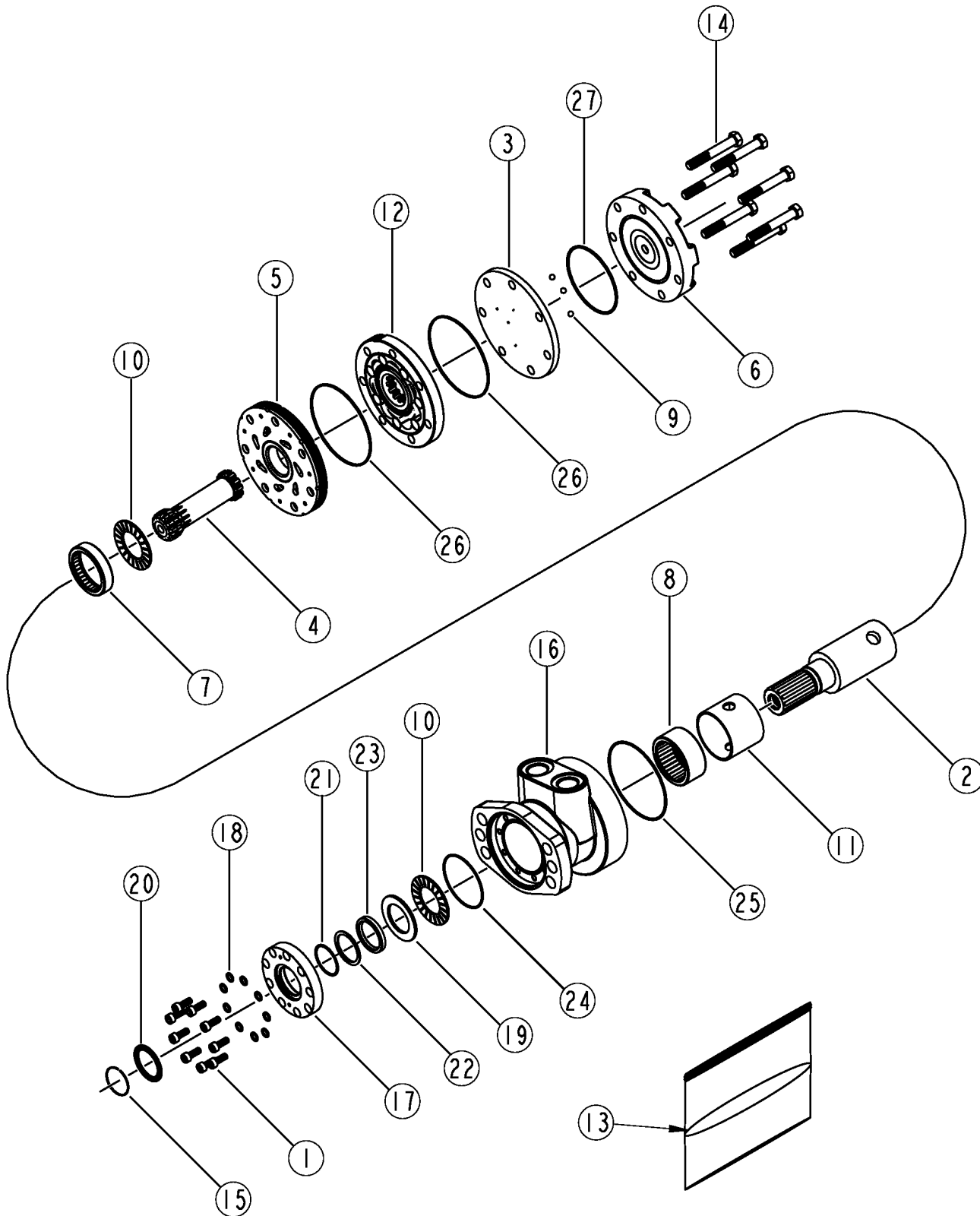
Gearbox (826-805C)

Applies to AP-EA20

Ref	Part No.	Part Description	Comments	Revision
	Dwg 37313 826-805C	Drawing Image Number GBOX 3.60:1 14T PLNTRY 2 HEX *		
1.	6171215	AG SHAFT-OUTPUT		
2.	604446	AG SEAL-OIL		
3.	613368	AG BEARING-CONE		
4.	613367	AG BEARING-CUP		
5.	619352	AG WASHER-LOCK		
6.	618394	AG SCREW-SKT HD CAP		
7.	6039124	AG COVER		
8.	14-00-193-003	AG WASHER-THRUST		
9.	6165304	AG GEAR-SUN		
10.	6659269	AG ASSY-SEC CARRIER		
11.	616288	AG GEAR-RING		
12.	613104	AG BEARING-NEEDLE ROLLER		
13.	614923	AG NUT-LOCK		
14.	605008	AG WASHER-LOCK		
15.	619351	AG WASHER-THRUST		
16.	6179224	AG HUB		
17.	605204	AG PLUG-PIPE		
18.	605205	AG PLUG-PIPE		

Hydraulic Motor (850-252C) White

Applies to AP-EA20



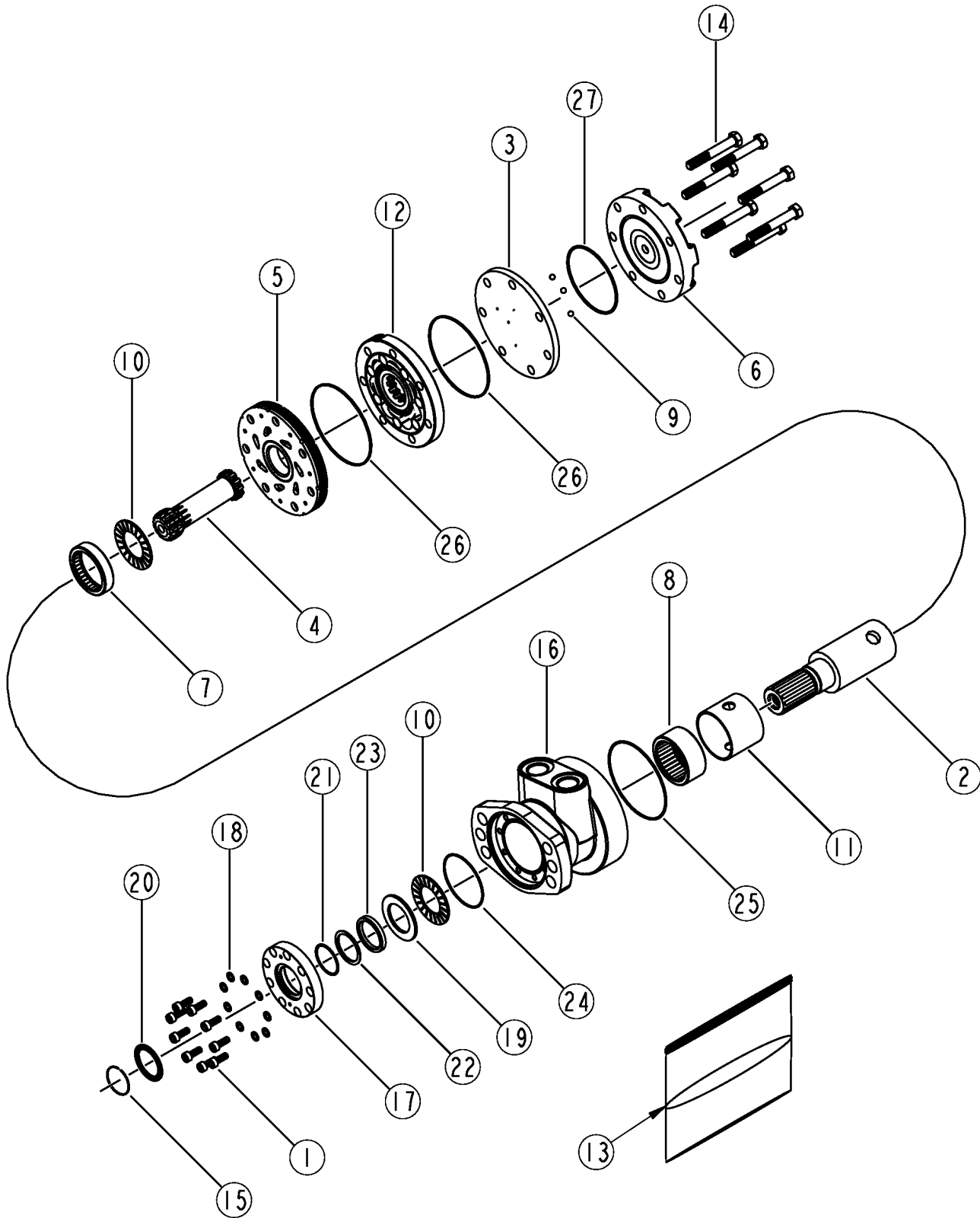
39919

Hydraulic Motor (850-252C) White**Applies to AP-EA20**

Ref	Part No.	Part Description	Comments	Revision
	Dwg 39919 850-252C	Image No. HYD MTR 18 CU IN DSP W/14T SPL *		
1.	157018110	WH SEAL CARRIER BOLT (9)		
2.	500011101	WH SHAFT		
3.	500012001	WH BALANCE PLATE		
4.	500014007	WH DRIVE LINK		
5.	500015006	WH FORWARD MANIFOLD		
6.	500016001	WH ENDCOVER		
7.	500018002	WH REAR HOUSING BRG		
8.	500018003	WH FRONT HOUSING BRG		
9.	500018048	WH STEEL BALLS (3)		
10.	500018059	WH REAR THRUST BRG		
11.	500018305	WH BEARING SPACER		
12.	500247005	WH ROTOR SET		
13.	500444506	WHITE SEAL KIT		
14.	500445018	WH BOLTS (7)		
15.	500449201	WH WIRE RING		
16.	505013614	WHITE HOUSING		
17.	505017001	WH SEAL CARRIER		
18.	530018100	WH SEAL CARRIER BOLT WASHER(9)		
19.	530018102	WHITE THRUST WASHER		
20.	N/A	WH DUST SEAL	Available only in Seal Kit Item #13	
21.	N/A	BACKUP SHIM	Available only in Seal Kit Item #13	
22.	N/A	BACKUP SEAL	Available only in Seal Kit Item #13	
23.	N/A	SHAFT SEAL	Available only in Seal Kit Item #13	
24.	N/A	SEAL CARRIER SEAL	Available only in Seal Kit Item #13	
25.	N/A	HOUSING SEAL	Available only in Seal Kit Item #13	
26.	N/A	BODY SEAL	Available only in Seal Kit Item #13	
27.	N/A	ENDCOVER SEAL	Available only in Seal Kit Item #13	

Hydraulic Motor (850-255C) White

Applies to AP-EA20



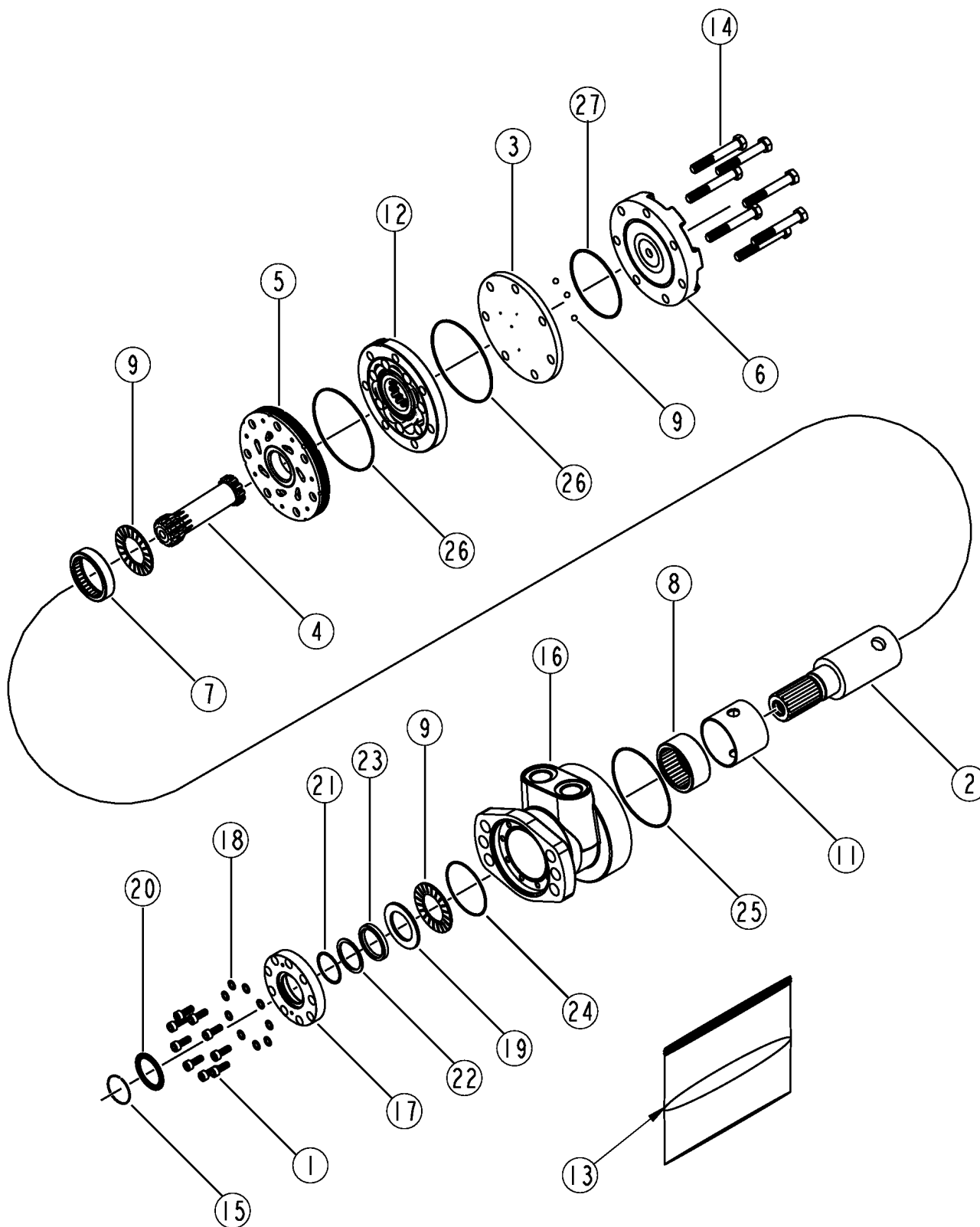
39922

Hydraulic Motor (850-255C) White**Applies to AP-EA20**

Ref	Part No.	Part Description	Comments	Revision
	Dwg 39922 850-255C	Image No. HYD MTR 10 CU IN DSP W/14T SPL *		
1.	157018110	WH SEAL CARRIER BOLT (9)		
2.	500011101	WH SHAFT		
3.	500012001	WH BALANCE PLATE		
4.	500014009	WH DRIVE LINK		
5.	500015006	WH FORWARD MANIFOLD		
6.	500016001	WH ENDCOVER		
7.	500018002	WH REAR HOUSING BRG		
8.	500018003	WH FRONT HOUSING BRG		
9.	500018048	WH STEEL BALLS (3)		
10.	500018059	WH REAR THRUST BRG		
11.	500018305	WH BEARING SPACER		
12.	500137011	WH ROTOR SET		
13.	500444506	WHITE SEAL KIT		
14.	500445006	WH BOLTS (7)		
15.	500449201	WH WIRE RING		
16.	505013614	WHITE HOUSING		
17.	505017001	WH SEAL CARRIER		
18.	530018100	WH SEAL CARRIER BOLT WASHER(9)		
19.	530018102	WHITE THRUST WASHER		
20.	N/A	WH DUST SEAL	Available only in Seal Kit Item #13	
21.	N/A	BACKUP SHIM	Available only in Seal Kit Item #13	
22.	N/A	BACKUP SEAL	Available only in Seal Kit Item #13	
23.	N/A	SHAFT SEAL	Available only in Seal Kit Item #13	
24.	N/A	SEAL CARRIER SEAL	Available only in Seal Kit Item #13	
25.	N/A	HOUSING SEAL	Available only in Seal Kit Item #13	
26.	N/A	BODY SEAL	Available only in Seal Kit Item #13	
27.	N/A	ENDCOVER SEAL	Available only in Seal Kit Item #13	

Hydraulic Motor (850-256C) White

Applies to AP-EA20



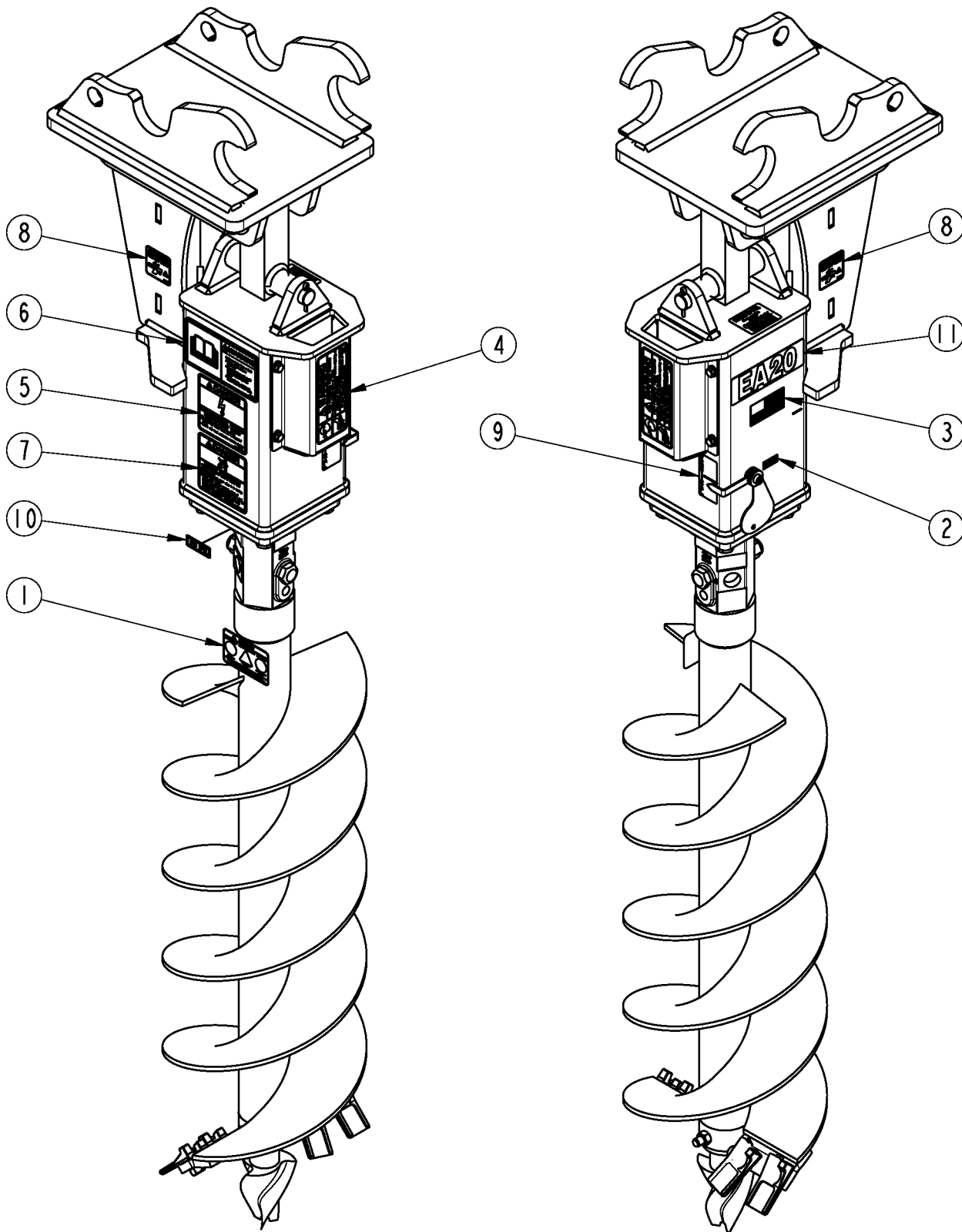
39923

Hydraulic Motor (850-256C) White**Applies to AP-EA20**

Ref	Part No.	Part Description	Comments	Revision
	Dwg 39923 850-256C	Image No. HYD MTR 12 CU IN DSP W/14T SPL *		
1.	157018110	WH SEAL CARRIER BOLT (9)		
2.	500011101	WH SHAFT		
3.	500012001	WH BALANCE PLATE		
4.	500014040	WHITE DRIVE LINK		
5.	500015006	WH FORWARD MANIFOLD		
6.	500016001	WH ENDCOVER		
7.	500018002	WH REAR HOUSING BRG		
8.	500018003	WH FRONT HOUSING BRG		
9.	500018048	WH STEEL BALLS (3)		
10.	500018059	WH REAR THRUST BRG		
11.	500018305	WH BEARING SPACER		
12.	500167011	WH ROTOR SET		
13.	500444506	WHITE SEAL KIT		
14.	500445012	WH BOLTS (7)		
15.	500449201	WH WIRE RING		
16.	505013614	WHITE HOUSING		
17.	505017001	WH SEAL CARRIER		
18.	530018100	WH SEAL CARRIER BOLT WASHER(9)		
19.	530018102	WHITE THRUST WASHER		
20.	N/A	WH DUST SEAL	Available only in Seal Kit Item #13	
21.	N/A	BACKUP SHIM	Available only in Seal Kit Item #13	
22.	N/A	BACKUP SEAL	Available only in Seal Kit Item #13	
23.	N/A	SHAFT SEAL	Available only in Seal Kit Item #13	
24.	N/A	SEAL CARRIER SEAL	Available only in Seal Kit Item #13	
25.	N/A	HOUSING SEAL	Available only in Seal Kit Item #13	
26.	N/A	BODY SEAL	Available only in Seal Kit Item #13	
27.	N/A	ENDCOVER SEAL	Available only in Seal Kit Item #13	

Decal Placement

Applies to AP-EA20



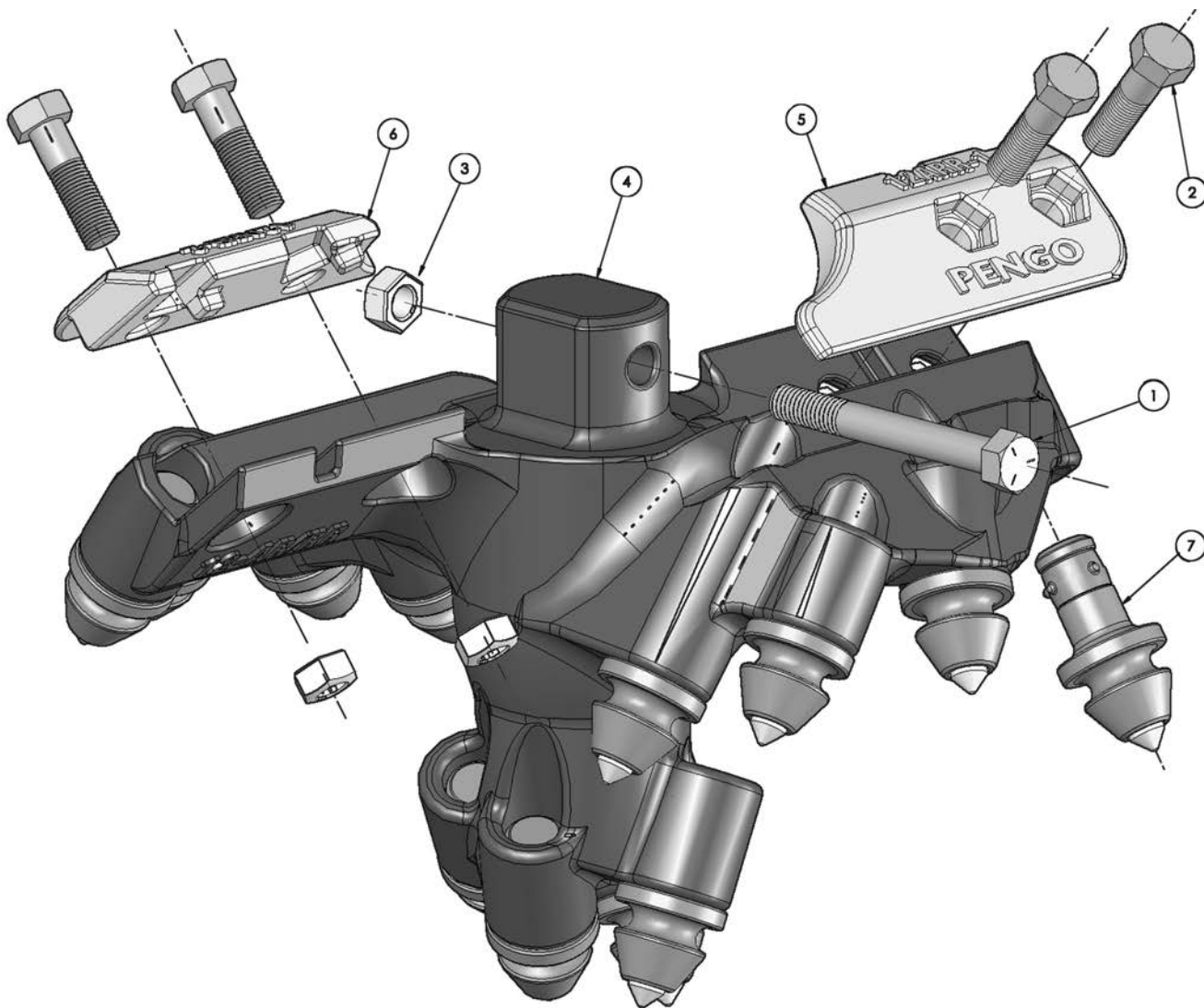
70235

Decal Placement**Applies to AP-EA20**

Ref	Part No.	Part Description	Comments	Revision
	Dwg 70235	Image No.		
1.	135500	DECAL, DANGER AVOID INJURY		
2.	818-042C	DECAL PATENT PENDING		
3.	818-190C	DECAL FLAG		
4.	838-094C	DECAL WARNING HYD PRESS LONG		
5.	838-292C	DECAL ELECTROCUTE HAZARD		
6.	838-293C	DECAL WARNING READ MANUAL		
7.	838-294C	DECAL DANGER ROTATING AUGER		
8.	858-148C	DECAL PIC--PINCH POINT		
9.	858-280C	DECAL, VERTICAL INDICATOR		
10.	858-287C	DECAL 6-15 GPM	Low flow	
10.	858-288C	DECAL 10-20 GPM	Medium flow	
10.	858-289C	DECAL 15-30 GPM	High Flow	
11.	858-789C	DECAL EA20 WHITE		

12" Bolt-On Rock Head (317-276A)

Applies to AP-EA20



70133

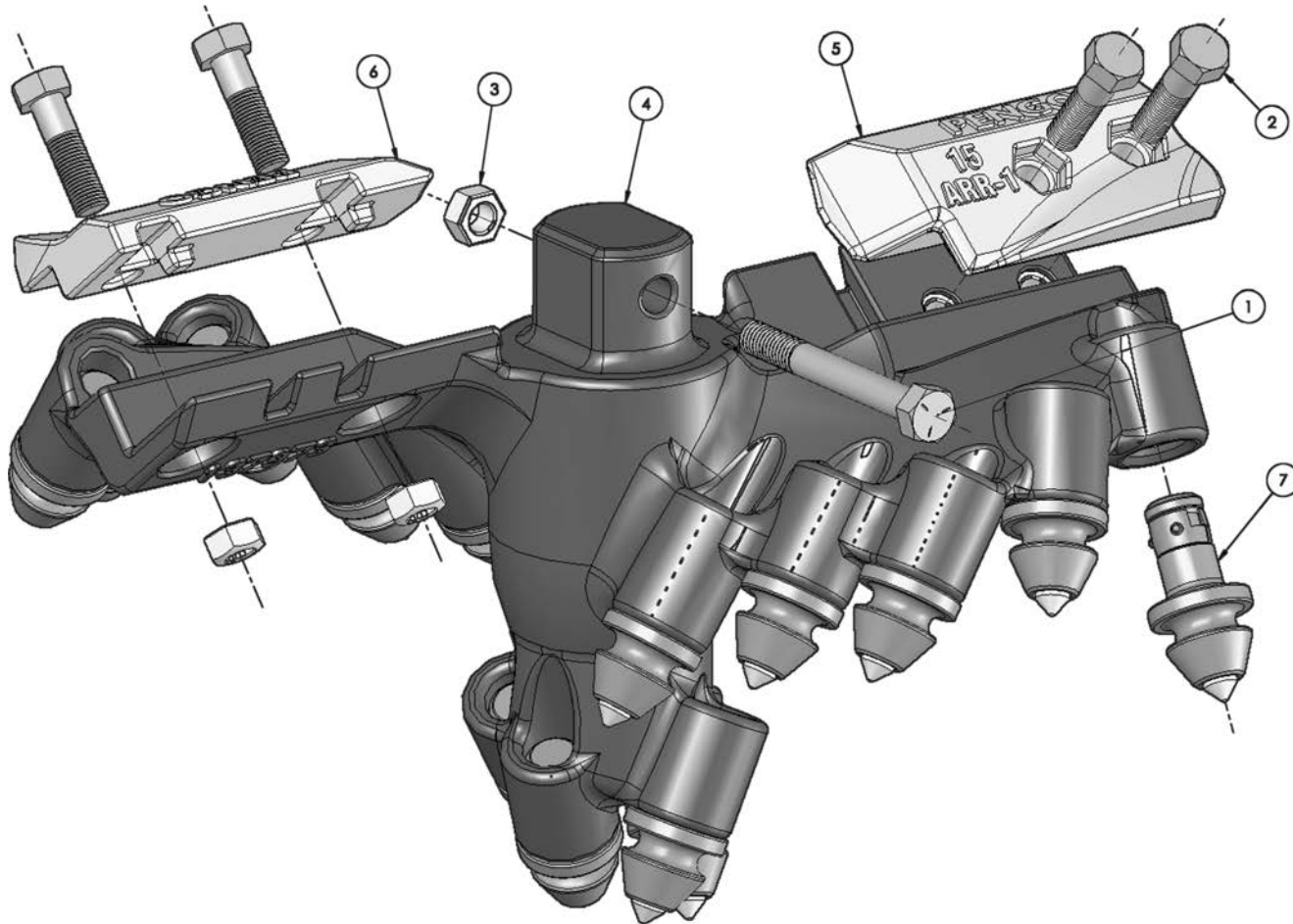
12" Bolt-On Rock Head (317-276A)

Applies to AP-EA20

Ref	Part No.	Part Description	Comments	Revision
	70133	Photo Shop Image Number		
	317-276A	SA 12 BOLT-ON ROCK HEAD ASSY *		
1.	802-044C	HHCS 1/2-13X4 GR5		
2.	802-082C	HHCS 1/2-13X1 3/4 GR5		
3.	803-019C	NUT LOCK 1/2-13 PLT		
4.	820-699C	PENGO CAST BORH, 12"-AR/RR		
5.	820-705C	PENGO WEAR CAP, 12" ARR-1		
6.	820-706C	PENGO WEAR CAP, 12" ARR-2		
7.	820-713C	PENGO ROCK AUGER TOOTH		

15" Bolt-On Rock Head (317-277A)

Applies to AP-EA20



70134

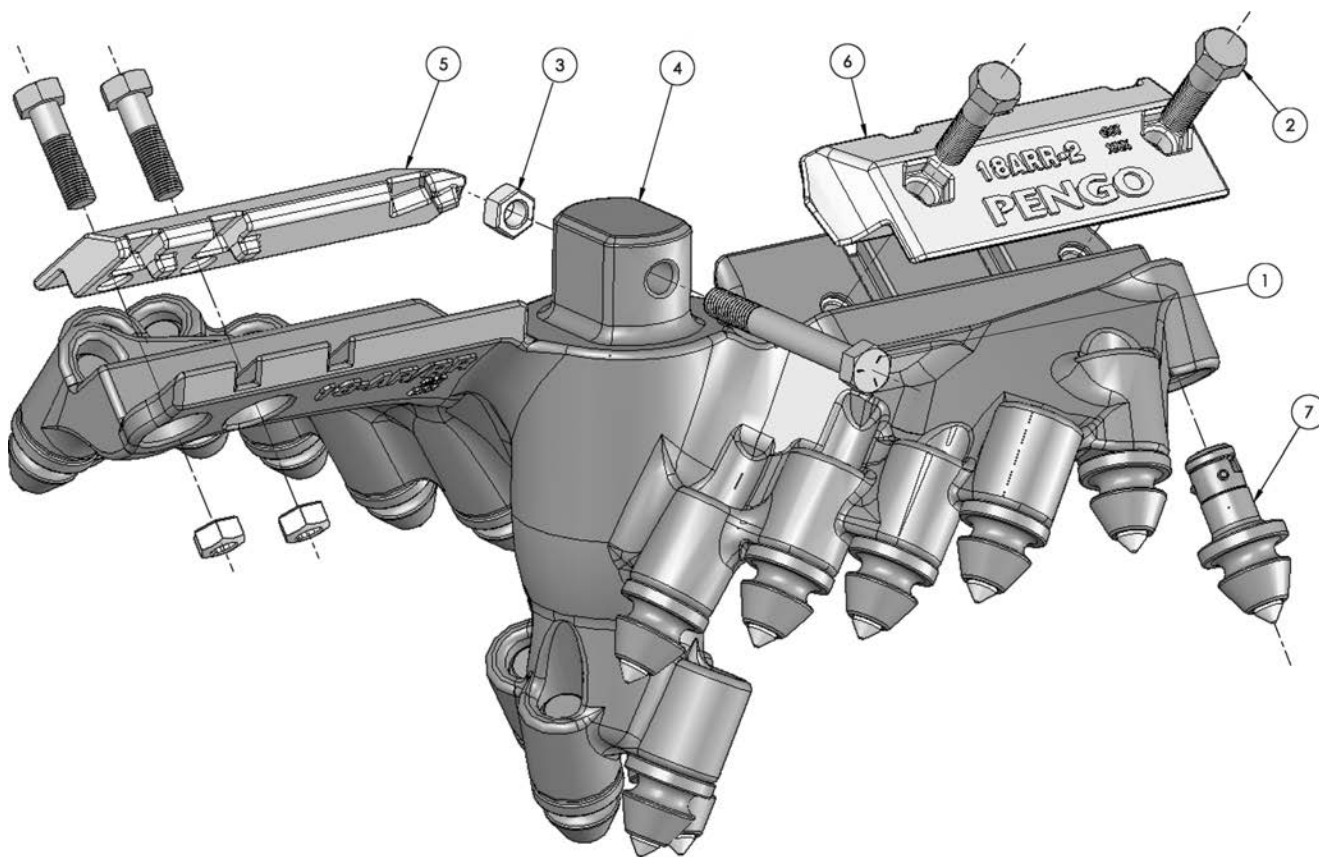
15" Bolt-On Rock Head (317-277A)

Applies to AP-EA20

Ref	Part No.	Part Description	Comments	Revision
	70134	Photo Shop Image Number		
	317-277A	SA 15 BOLT-ON ROCK HEAD ASSY *		
1.	802-044C	HHCS 1/2-13X4 GR5		
2.	802-082C	HHCS 1/2-13X1 3/4 GR5		
3.	803-019C	NUT LOCK 1/2-13 PLT		
4.	820-700C	PENGO CAST BORH, 15"-AR/RR		
5.	820-707C	PENGO WEAR CAP, 15" ARR-1		
6.	820-708C	PENGO WEAR CAP, 15" ARR-2		
7.	820-713C	PENGO ROCK AUGER TOOTH		

18" Bolt-On Rock Head (317-278A)

Applies to AP-EA20



70135

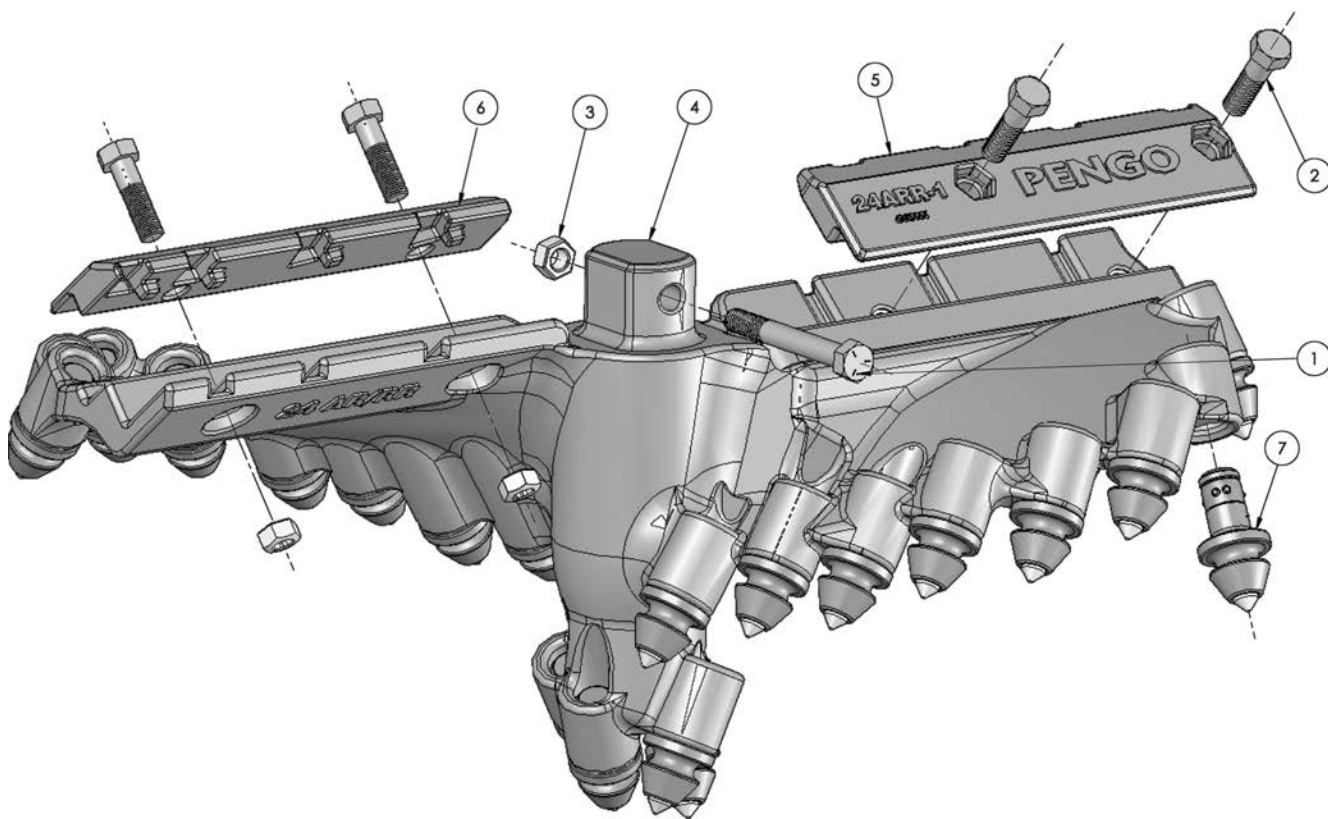
18" Bolt-On Rock Head (317-278A)

Applies to AP-EA20

Ref	Part No.	Part Description	Comments	Revision
	70135	Photo Shop Image Number		
	317-278A	SA 18 BOLT-ON ROCK HEAD ASSY *		
1.	802-044C	HHCS 1/2-13X4 GR5		
2.	802-082C	HHCS 1/2-13X1 3/4 GR5		
3.	803-019C	NUT LOCK 1/2-13 PLT		
4.	820-701C	PENGO CAST BORH, 18"-AR/RR		
5.	820-709C	PENGO WEAR CAP, 18" ARR-1		
6.	820-710C	PENGO WEAR CAP, 18" ARR-2		
7.	820-713C	PENGO ROCK AUGER TOOTH		

24" Bolt-On Rock Head (317-279A)

Applies to AP-EA20



70136

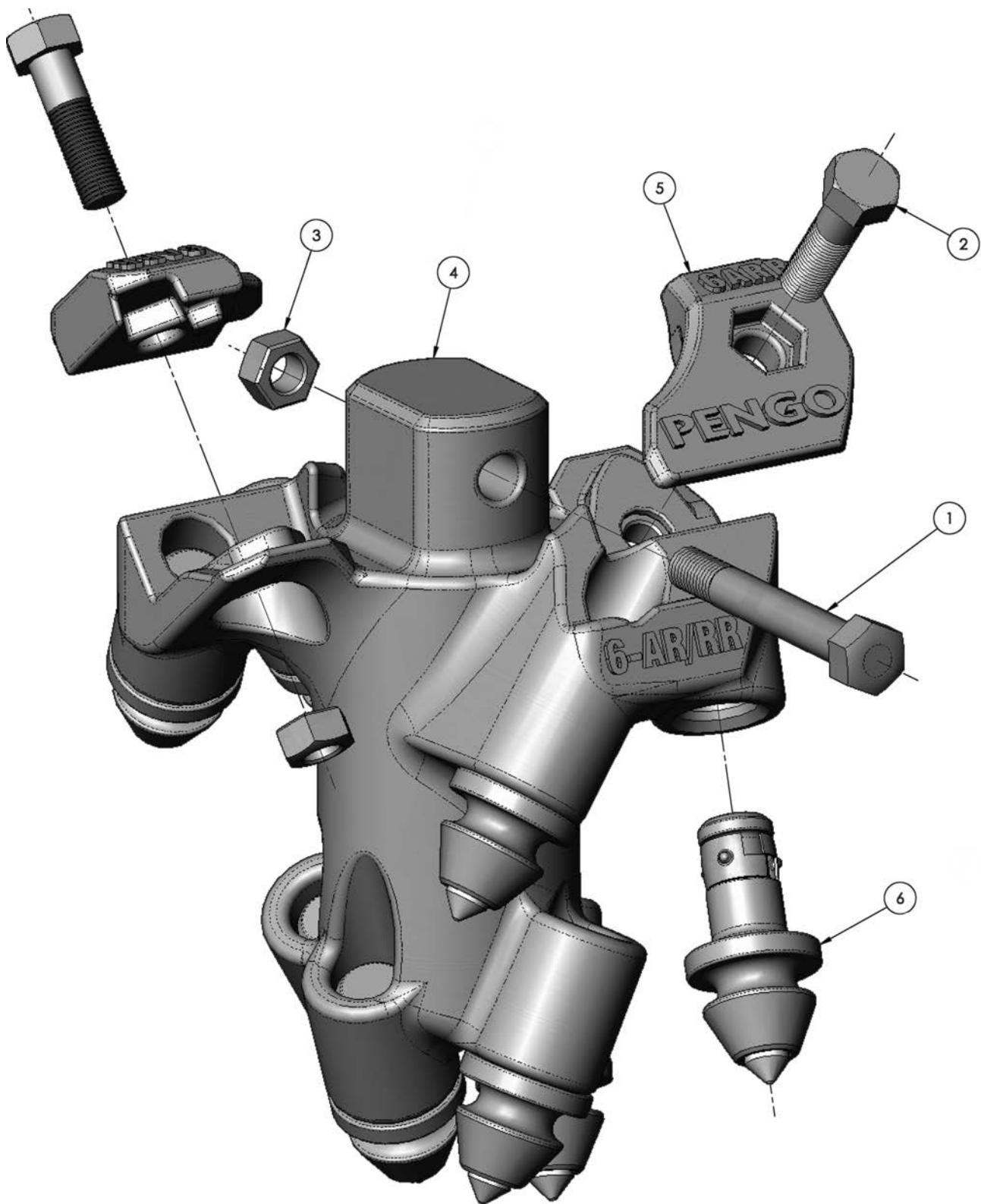
24" Bolt-On Rock Head (317-279A)

Applies to AP-EA20

Ref	Part No.	Part Description	Comments	Revision
	70136	Photo Shop Image Number		
	317-279A	SA 24 BOLT-ON ROCK HEAD ASSY *		
1.	802-044C	HHCS 1/2-13X4 GR5		
2.	802-082C	HHCS 1/2-13X1 3/4 GR5		
3.	803-019C	NUT LOCK 1/2-13 PLT		
4.	820-702C	PENGO CAST BORH, 24"-AR/RR		
5.	820-711C	PENGO WEAR CAP, 24" ARR-1		
6.	820-712C	PENGO WEAR CAP, 24" ARR-2		
7.	820-713C	PENGO ROCK AUGER TOOTH		

6" Bolt-On Rock Head (317-274A)

Applies to AP-EA20



70131

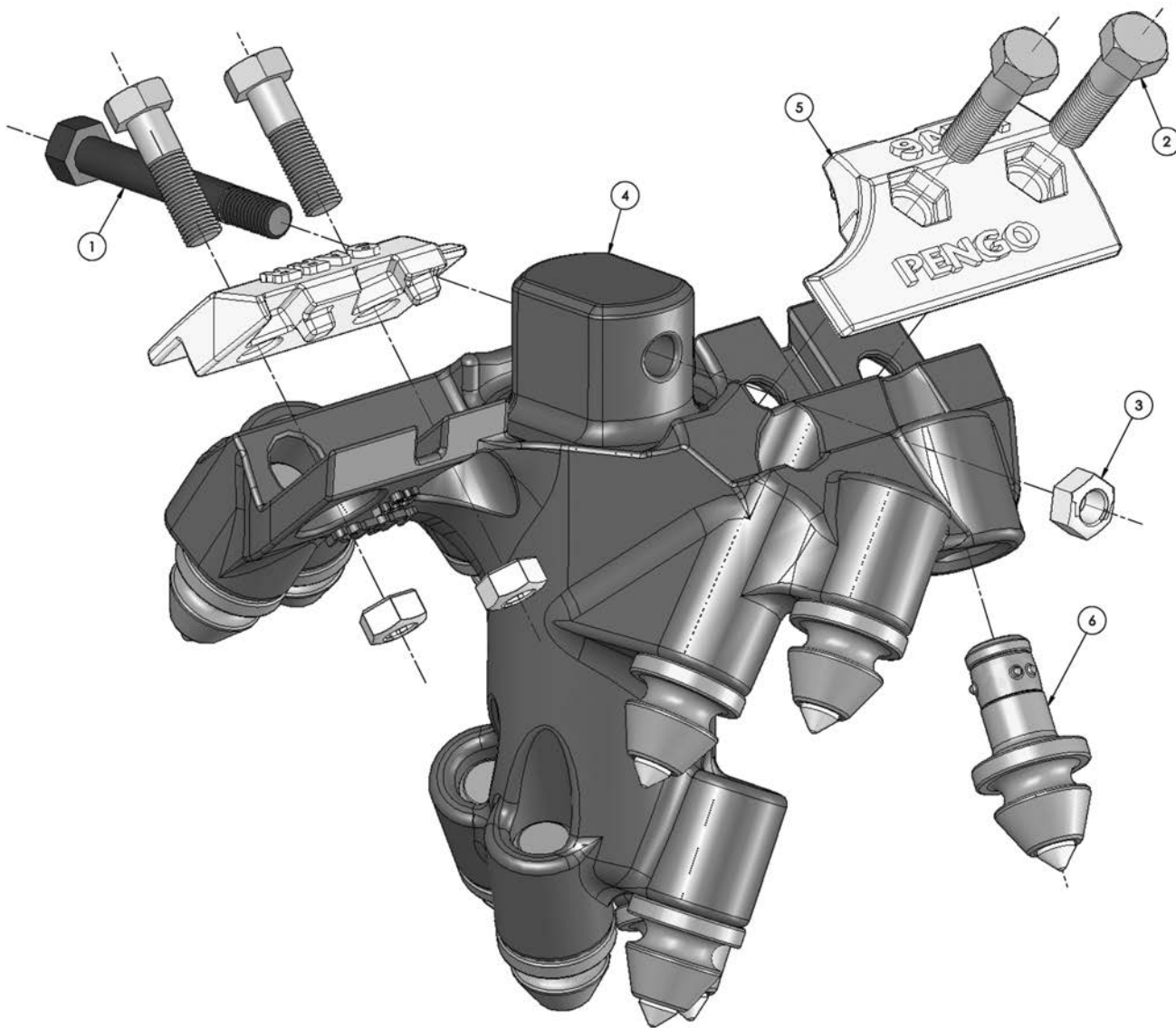
6" Bolt-On Rock Head (317-274A)

Applies to AP-EA20

Ref	Part No.	Part Description	Comments	Revision
	70131	Photo Shop Image Number		
	317-274A	SA 6 BOLT-ON ROCK HEAD ASSY *		
1.	802-041C	HHCS 1/2-13X3 1/2 GR5		
2.	802-082C	HHCS 1/2-13X1 3/4 GR5		
3.	803-019C	NUT LOCK 1/2-13 PLT		
4.	820-697C	PENGO CAST BORH, 6"-AR/RR		
5.	820-703C	PENGO WEAR CAP, 6" ARR		
6.	820-713C	PENGO ROCK AUGER TOOTH		

9" Bolt-On Rock Head (317-275A)

Applies to AP-EA20



70132

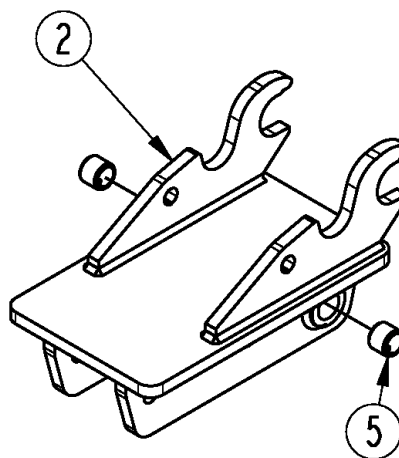
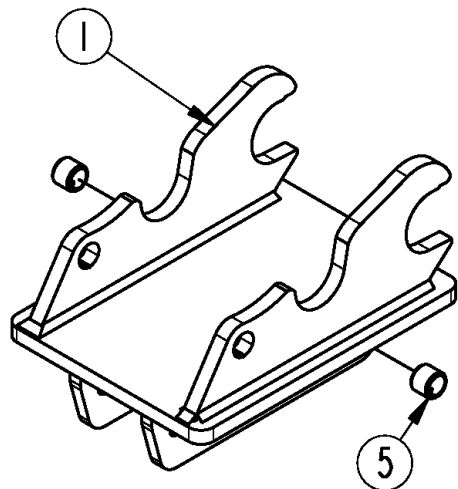
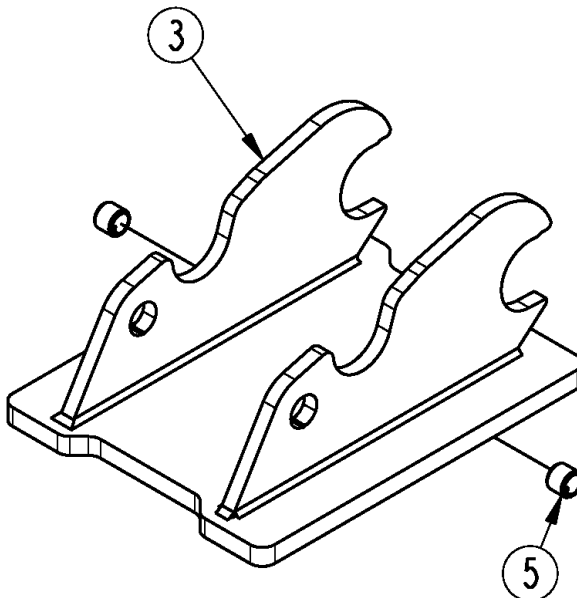
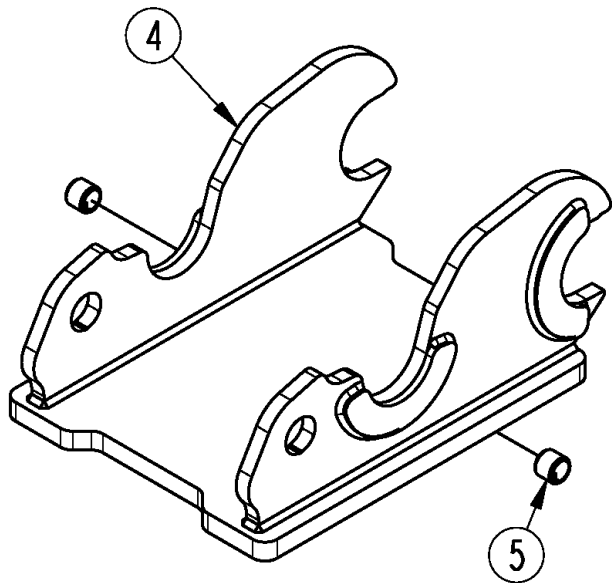
9" Bolt-On Rock Head (317-275A)

Applies to AP-EA20

Ref	Part No.	Part Description	Comments	Revision
	70132	Photo Shop Image Number		
	317-275A	SA 9 BOLT-ON ROCK HEAD ASSY *		
1.	802-041C	HHCS 1/2-13X3 1/2 GR5		
2.	802-082C	HHCS 1/2-13X1 3/4 GR5		
3.	803-019C	NUT LOCK 1/2-13 PLT		
4.	820-698C	PENGO CAST BORH, 9"-AR/RR		
5.	820-704C	PENGO WEAR CAP, 9" ARR		
6.	820-713C	PENGO ROCK AUGER TOOTH		

Auger Mount EA20

Applies to AP-EA20



70230

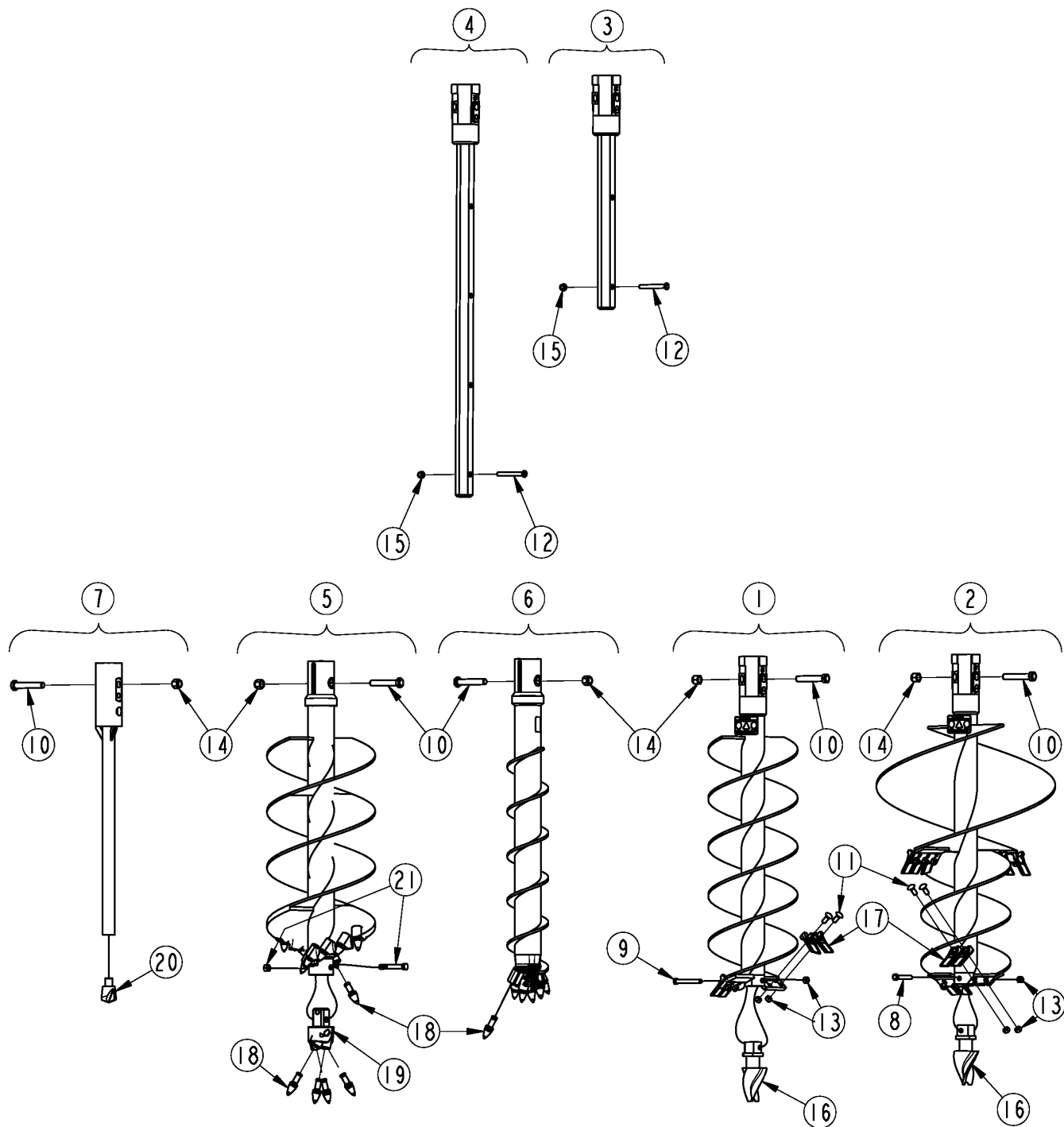
Auger Mount EA20

Applies to AP-EA20

Ref	Part No.	Part Description	Comments	Revision
	Dwg 70230	Image No.		
1.	317-247A	ASM, EX AUGER MNT	U35, KX71, KX033, KX91 & KX040	
2.	317-249A	ASM, EX AUGER MNT	U17 & KX018	
3.	317-250A	ASM, EX AUGER MNT	U55 & KX057	
4.	317-251A	ASM, EX AUGER MNT	KX080	
5.	890-005C	BUSHING CYL 1 1/4 X 1 X 1		

Augers & Extensions

Applies to AP-EA20



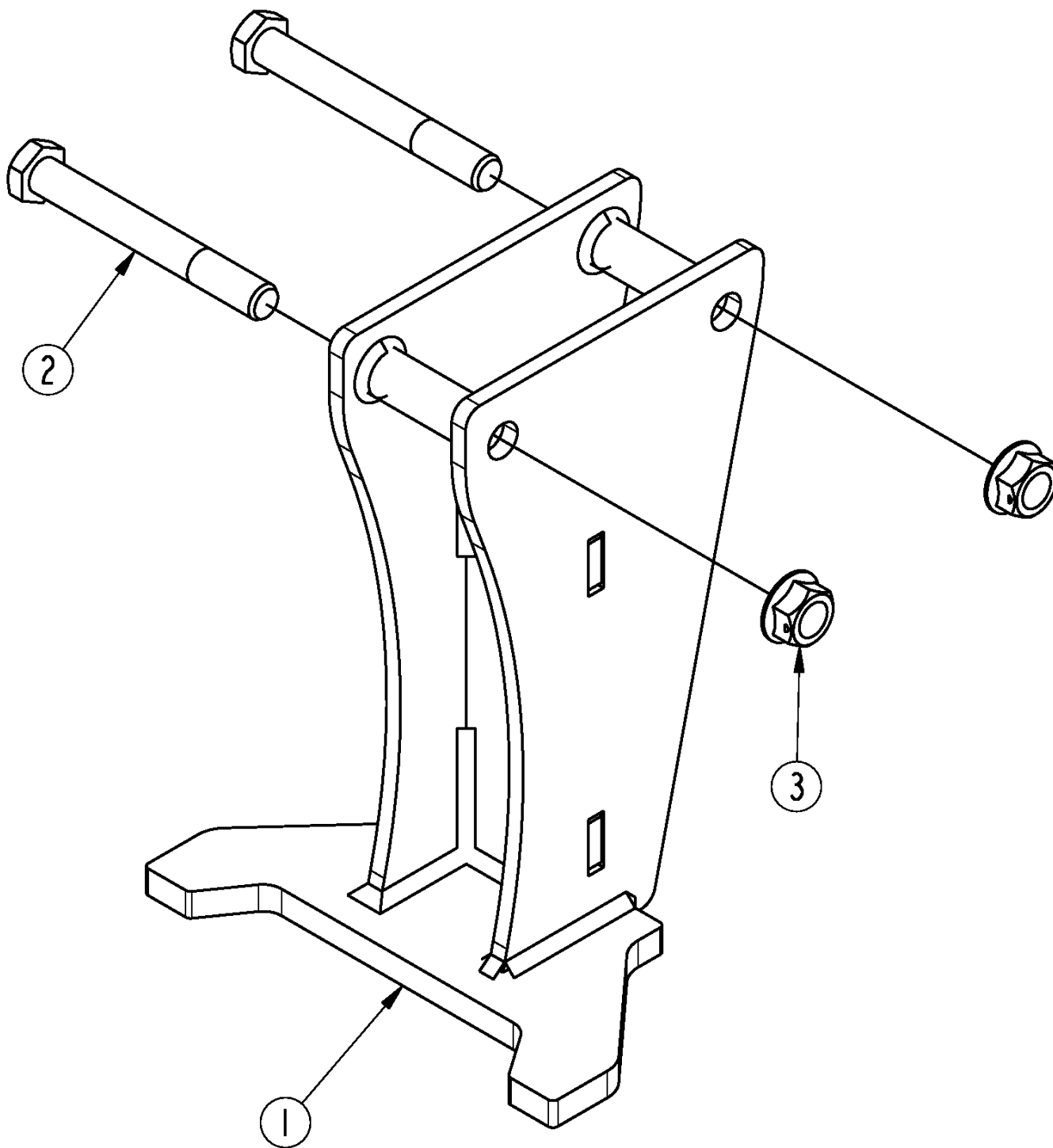
37309

Augers & Extensions**Applies to AP-EA20**

Ref	Part No.	Part Description	Comments	Revision
	Dwg 37309	Drawing Image Number		
1.	317-273A	SA 6X2 HEX HUB DBL AUGER ASY		
1.	317-095A	SA 9X2 HEX HUB DBL AUGER ASSY		
1.	317-098A	SA 12X2 HEX HUB DBL AUGER ASSY		
1.	317-101A	SA 15X2 HEX HUB DBL AUGER ASSY		
1.	317-104A	SA 18X2 HEX HUB DBL AUGER ASSY		
1.	317-107A	SA 24X2 HEX HUB DBL AUGER ASSY		
1.	317-113A	SA 30X2 HEX HUB DBL AUG ASSY		
1.	317-119A	SA 36X2 HEX HUB DBL AUGER ASSY		
2.	317-110A	SA 24X2 HEX HUB TREE AUG ASSY		
2.	317-116A	SA 30X2 HEX HUB TREE AUG ASSY		
2.	317-122A	SA 36X2 HEX HUB TREE AUG ASSY		
3.	317-129A	SA 24X2 HEX AUGER EXTEN. ASSY		
4.	317-131A	SA 48X2 HEX AUGER EXTEN. ASSY		
5.	317-263A	SA 9X2 HEX HUB ROCK AUGER ASY		
5.	317-264A	SA 12X2 HEX HUB ROCK AUGER ASY		
5.	317-265A	SA 15X2 HEX HUB ROCK AUGER ASY		
5.	317-266A	SA 18X2 HEX HUB ROCK AUGER ASY		
5.	317-267A	SA 24X2 HEX HUB ROCK AUGER ASY		
6.	317-280A	SA 6X2 HEX HUB ROCK AUGER ASY		
7.	317-318A	SA 2X2 HEX HUB PUFF AUGER ASY		
8.	802-041C	HHCS 1/2-13X3 1/2 GR5		
9.	802-044C	HHCS 1/2-13X4 GR5		
10.	802-192C	HHCS 3/4-10X4 1/2 GR5		
11.	802-214C	RHSNB 1/2-13X1 1/4 GR5		
12.	802-311C	HHCS 1/2-13X4 1/4 GR5		
13.	803-019C	NUT LOCK 1/2-13 PLT		
14.	803-025C	NUT HEX 3/4-10 PLT NYLOCK		
15.	803-147C	NUT HEX NYLOCK 1/2-13		
16.	820-232C	PENGO TRI-FLOW PILOT BIT		
17.	820-233C	PENGO AUGER TOOTH		
18.	820-695C	BELLTEC AUGER TOOTH		
19.	820-696C	BELLTEC BT500S PILOT BIT		
20.	820-728C	BELLTEC PUFF AUGER PILOT BIT		
21.	891-835C	BOLT KIT, BELLTEC PILOT BIT		
			Includes items 17, 18 & 19	

Cradle

Applies to AP-EA20



70232

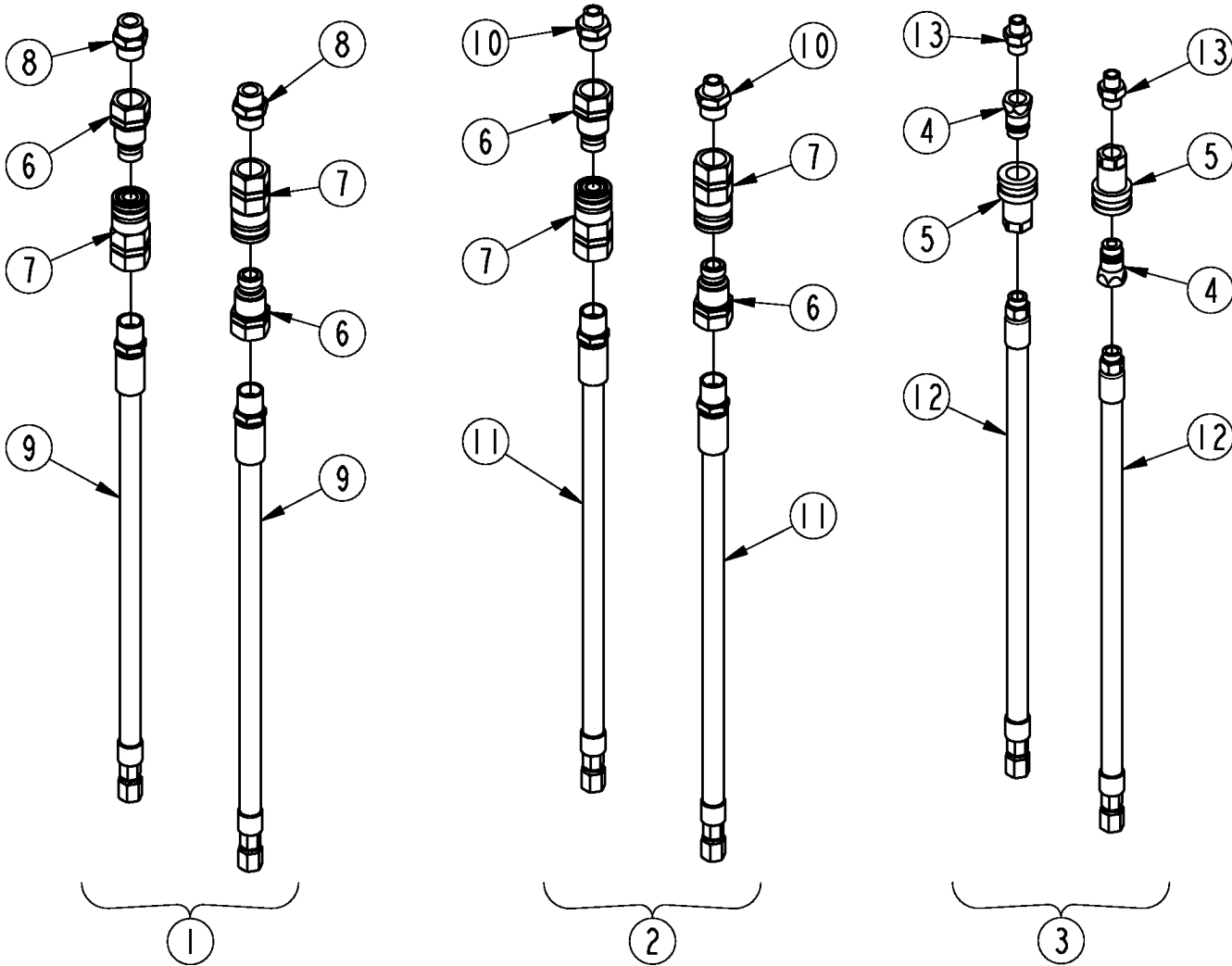
Cradle

Applies to AP-EA20

Ref	Part No.	Part Description	Comments	Revision
	Dwg 70232	Image No.		
	317-246A	ASM, EA20 CRADLE *		
1.	317-244H	WMT, EA20 CRADLE		
2.	802-070C	HHCS 3/4-10X6 GR5		
3.	803-181C	NUT HEX FLANGE LOCK 3/4-10 PLT		

Hose Kits EA20

Applies to AP-EA20



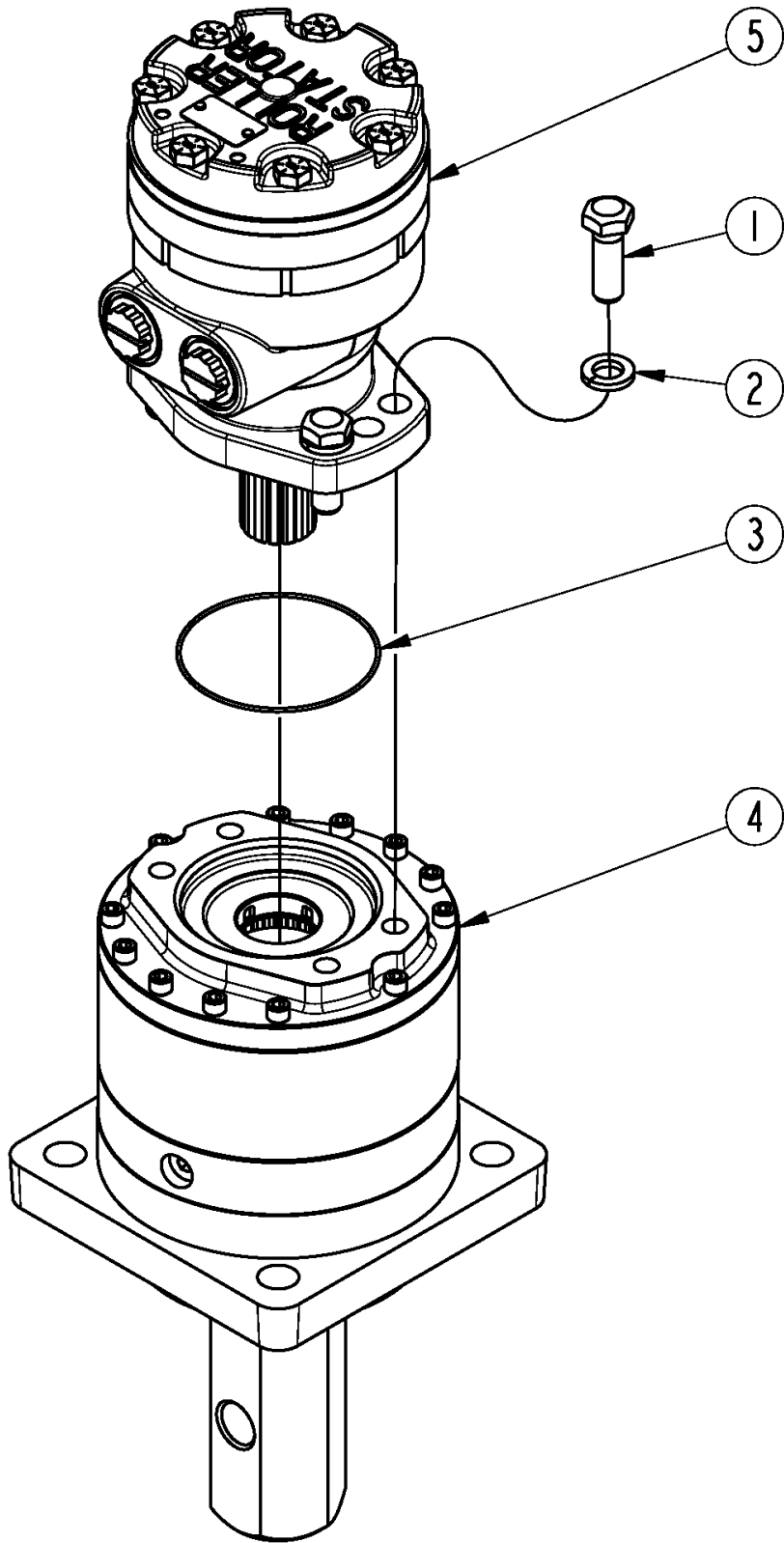
70233

Hose Kits EA20**Applies to AP-EA20**

Ref	Part No.	Part Description	Comments	Revision
	Dwg 70233	Image No.		
1.	317-283A	ASY, 74" HOSE KIT	KX080	
2.	317-284A	ASY, 54" HOSE KIT	U35, KX71, KX91, KX040, U55 & KX057	
3.	317-297A	ASY, 48" HOSE KIT	U17 & KX018	
4.	811-394C	CP 3/4FORB MALE QD POPPET TYPE		
5.	811-870C	CP 3/4FORB QD FEMALE (POPPET)		
6.	851-947C	CUP 1 1/16FORB MALE QUICK CPLR		
7.	851-948C	CUP 1 1/16FORB FML QUICK CPLR		
8.	861-060C	AD 3/4 MBSPT X 1 1/16MORB		
9.	861-142C	HH1/2R2 074 3/4FJIC 1 1/16MORB		
10.	861-143C	AD 1/2MBSPT X 1 1/16MORB		
11.	861-145C	HH1/2R2 054 3/4FJIC 1 1/16MORB		
12.	861-166C	HH1/2R2 048 3/4FJIC 3/4MORB		
13.	861-167C	AD 3/8MBSPP X 3/4MORD		

Motor & Gearbox Bundle

Applies to AP-EA20



70234

Motor & Gearbox Bundle

Applies to AP-EA20

Ref	Part No.	Part Description	Comments	Revision
	Dwg 70234	Image No.		
	317-216A	ASY, HYD MOTOR/GBOX LO	Low flow	
	317-209A	ASY, HYD MOTOR/GBOX MED	Medium flow	
	317-217A	ASY, HYD MOTOR/GBOX HI	High flow	
		*		
1.	802-091C	HHCS 1/2-13X1 1/2 GR5		
2.	804-015C	WASHER LOCK SPRING 1/2 PLT		
3.	816-836C	O-RING 3 1/4ID X 3 3/8OD		
4.	826-805C	GBOX 3.60:1 14T PLNTRY 2 HEX		
5.	850-255C	HYD MTR 10 CU IN DSP W/14T SPL	Low flow	
5.	850-256C	HYD MTR 12 CU IN DSP W/14T SPL	Medium flow	
5.	850-252C	HYD MTR 18 CU IN DSP W/14T SPL	High flow	



Part Number Index

The Part Number Index is a numeric index of all part numbers included in this manual. The index shows what page(s) the part is used on.

Part Number	Page	Part Number	Page	Part Number	Page
135500	17	604446	9	820-709C	23
14-00-193-003	9	605008	9	820-710C	23
157018110	11, 13, 15	605204	9	820-711C	25
317-095A	33	605205	9	820-712C	25
317-098A	33	613104	9	820-713C	19, 21, 23, 25, 27, 29
317-101A	33	613367	9	820-728C	33
317-104A	33	613368	9	826-805C	7, 9, 39
317-107A	33	614923	9	827-001C	7
317-110A	33	616288	9	838-094C	17
317-113A	33	6165304	9	838-292C	17
317-116A	33	6171215	9	838-293C	17
317-119A	33	6179224	9	838-294C	17
317-122A	33	618394	9	850-252C	7, 11, 39
317-129A	33	619351	9	850-255C	7, 13, 39
317-131A	33	619352	9	850-256C	7, 15, 39
317-164D	7	6659269	9	851-947C	37
317-165D	7	70131	27	851-948C	37
317-209A	39	70132	29	858-148C	17
317-216A	39	70133	19	858-280C	17
317-217A	39	70134	21	858-287C	17
317-218H	7	70135	23	858-288C	17
317-244H	35	70136	25	858-289C	17
317-245H	7	802-041C	27, 29, 33	858-789C	17
317-246A	35	802-044C	19, 21, 23, 25, 33	861-060C	37
317-247A	31	802-055C	7	861-142C	37
317-249A	31	802-070C	35	861-143C	37
317-250A	31	802-082C	19, 21, 23, 25, 27, 29	861-145C	37
317-251A	31	802-091C	7, 39	861-166C	37
317-263A	33	802-192C	33	861-167C	37
317-264A	33	802-214C	33	890-005C	31
317-265A	33	802-311C	33	891-835C	33
317-266A	33	802-488C	7	Dwg 37309	33
317-267A	33	802-794C	7	Dwg 37313	9
317-273A	33	803-019C	19, 21, 23, 25, 27, 29, 33	Dwg 39919	11
317-274A	27	803-025C	33	Dwg 39922	13
317-275A	29	803-147C	33	Dwg 39923	15
317-276A	19	803-181C	35	Dwg 70229	7
317-277A	21	804-011C	7	Dwg 70230	31
317-278A	23	804-015C	7, 39	Dwg 70232	35
317-279A	25	804-022C	7	Dwg 70233	37
317-280A	33	804-029C	7	Dwg 70234	39
317-283A	37	804-036C	7	Dwg 70235	17
317-284A	37	805-104C	7	N/A	11, 13, 15
317-297A	37	805-491C	7		
317-318A	33	805-531C	7		
500011101	11, 13, 15	811-150C	7		
500012001	11, 13, 15	811-192C	7		
500014007	11	811-394C	37		
500014009	13	811-870C	37		
500014040	15	816-836C	7, 39		
500015006	11, 13, 15	818-042C	17		
500016001	11, 13, 15	818-190C	17		
500018002	11, 13, 15	820-232C	33		
500018003	11, 13, 15	820-233C	33		
500018048	11, 13, 15	820-695C	33		
500018059	11, 13, 15	820-696C	33		
500018305	11, 13, 15	820-697C	27		
500137011	13	820-698C	29		
500167011	15	820-699C	19		
500247005	11	820-700C	21		
500444506	11, 13, 15	820-701C	23		
500445006	13	820-702C	25		
500445012	15	820-703C	27		
500445018	11	820-704C	29		
500449201	11, 13, 15	820-705C	19		
505013614	11, 13, 15	820-706C	19		
505017001	11, 13, 15	820-707C	21		
530018100	11, 13, 15	820-708C	21		
530018102	11, 13, 15				
6039124	9				

This Page Intentionally Left Blank



KUBOTA TRACTOR CORPORATION

1000 Kubota Drive, Grapevine, TX 76051

Telephone: (817) 756-1171

Western Division: 1175 S. Guild Ave., Lodi, CA 95240
Telephone: (209) 334-9910

Central Division: 14855 FAA Blvd., Fort Worth, TX 76155
Telephone: (817) 571-0900

Northern Division: 6300 at One Kubota Way, Groveport, OH 43125
Telephone: (614) 835-1100

Southeast Division: 1025 Northbrook Parkway, Suwanee, GA 30024
Telephone: (770) 995-8855

www.kubota.com
