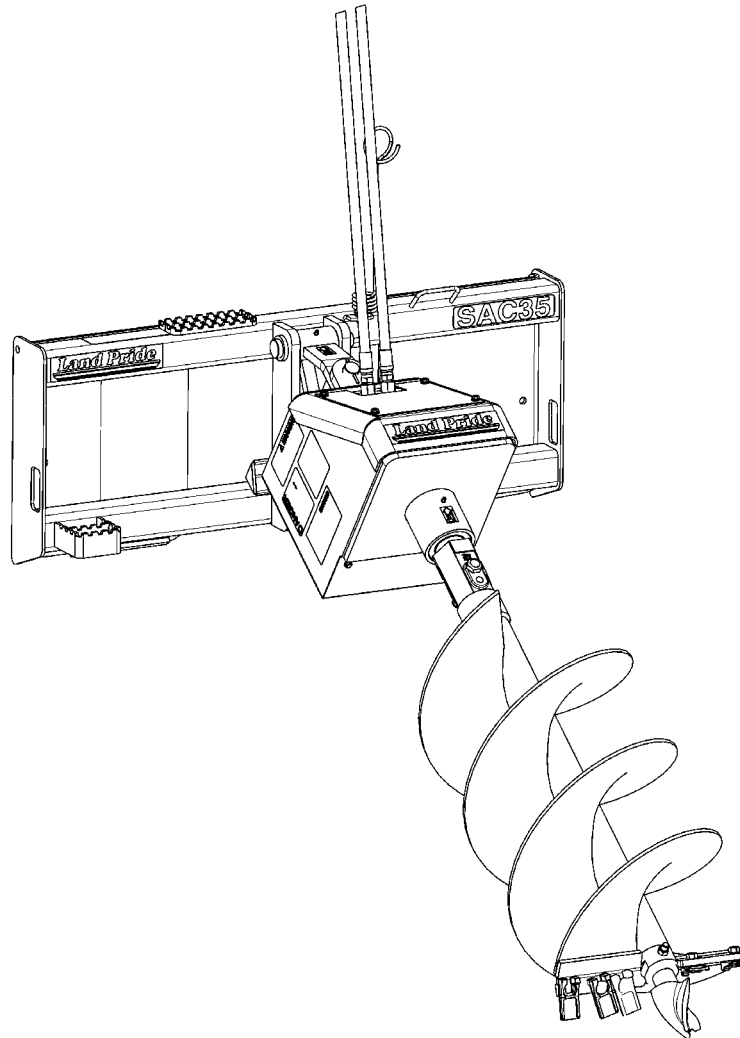


Post Hole Digger

SAC35



26723

317-188P **Parts Manual**



Read the Operator's Manual entirely. When you see this symbol, the subsequent instructions and warnings are serious - follow without exception. Your life and the lives of others depend on it!

© Copyright 2019 Printed 07/17/19

Cover photo may show optional equipment not supplied with standard unit.





Table of Contents

Section 1: Introduction.....	4
Using This Manual.....	4
Manual Replacement Information.....	4
Manual Revisions.....	4
Touch-up Paint.....	4
Hardware Legend.....	5
Replacement Hardware.....	5
Serial Numbers.....	5
Part Number Service Coding.....	5
Section 2: Frame.....	6
Hitch.....	6
Motor & Chain Box Components 2 9/16 Round Shaft Drive S/N 709300-.....	8
Motor & Chain Box Components 2 9/16 Round Shaft Drive S/N 709301+.....	10
Motor & Chain Box Components 2 Hex Drive S/N 709300-.....	12
Motor & Chain Box Components 2 Hex Drive S/N 709301+.....	14
Motor & Chain Box Mount.....	16
Section 3: Hydraulics Motor.....	18
Hydraulic Motor (810-531C) White.....	18
Hydraulic Motor (850-252C) White.....	20
Section 4: Decals.....	22
Decal Placement.....	22
Land Pride Touch-up Paints.....	24
Section 5: Options & Accessories.....	26
Auger.....	26
Part Number Index.....	28

© Copyright 2019. All rights reserved.

Land Pride provides this publication “as is” without warranty of any kind, either expressed or implied. While every precaution has been taken in the preparation of this manual, Land Pride assumes no responsibility for errors or omissions. Neither is any liability assumed for damages resulting from the use of the information contained herein. Land Pride reserves the right to revise and improve its products as it sees fit. This publication describes the state of this product at the time of its publication, and may not reflect the product in the future. The illustrations in this manual are not intended for safe and proper assembly or disassembly of equipment. The illustrations are intended for ordering parts only.

Land Pride is registered trademark.

All other brands and product names are trademarks or registered trademarks of their respective holders.

Printed in the United States of America.



Alphabetized Table of Contents

A
Auger.....26

D
Decal Placement.....22

H
Hitch.....6
Hydraulic Motor (810-531C) White.....18
Hydraulic Motor (850-252C) White.....20

L
Land Pride Touch-up Paints.....24

M
Motor & Chain Box Components 2 9/16 Round Shaft Drive
S/N 709300-.....8
Motor & Chain Box Components 2 9/16 Round Shaft Drive
S/N 709301+.....10
Motor & Chain Box Components 2 Hex Drive S/N
709300-.....12
Motor & Chain Box Components 2 Hex Drive S/N
709301+.....14
Motor & Chain Box Mount.....16

General Information

Using This Manual

This manual is divided into sections. The first section contains General Information. The remaining sections divide the machine into segments (i.e. Frames, Drives, Hydraulics, etc.) which illustrate and list all parts. A Parts Number Index is located at the back of the book.

The Land Pride parts in this manual are specially designed for this machine and should be replaced with Land Pride parts only.

The information in this manual is current at time of printing. Some parts may change to assure top performance.

Right-hand and left-hand as used in this manual are determined by facing the direction the machine will travel while in use.

Below is an example of two facing pages from a parts manual. Familiarize yourself with the type of information contained on these pages.

Manual Replacement Information

Replacement manuals are available. Refer to our website at www.landpride.com or e-mail us at lit@landpride.com for additional information. Our website continues to provide the most up-to-date manuals available.

Touch-up Paint

Repaint parts where paint is worn or scratched to prevent rust. Aerosol cans and touch-up bottles with brush applicator are available through your local dealer. Also available are quart and gallon size paints. Add QT or GL to end of the Aerosol P/N.

Land Pride color descriptions and part numbers are listed on the "Land Pride Touch-up Paints" page in the "Decals" section of this book. Color options vary by product.



General Information

Hardware Legend

AR	As Required
BLADE	Blade Bolt
C	Cap Screw
CP	Cotter Pin
CPHSSS	Cup Point Hex Socket Set Screw
CPSHSS	Cup Point Square Head Set Screw
CPSQHSS	Cup Point Square Head Set Screw
CRFCHMS3	Cross Recess Flat Countersunk Head Machine Screw
CRPHMS	Cross Recess Pan Head Machine Screw
CRPHTF	Cross Recess Pan Head Thread Forming
CRRHMS	Cross Recess Round Head Machine Screw
CRTHMS	Cross Recess Truss Head Machine Screw
CSNB	Countersunk Square Neck Bolt
FHMS	Flat Head Machine Screw
FTC	Full Thread Cap Screw
H	Hex Nut
HCLN	Hex Center Lock Nut
HFLCS	Hex Flange Lock Cap Screw
HFS	Hex Flange Screw
HFSLN	Hex Flange Serrated Lock Nut
HFSS	Hex Flange Serrated Screw
HHCS	Hex Head Cap Screw or Metric Bolt
HSBHCS	Hex Socket Button Head Cap Screw
HSFCHCS	Hex Socket Flat Countersunk Head Cap Screw
HSHCS	Hex Socket Head Cap Screw
HSSS	Hex Socket Head Screw
HTLN	Hex Top Lock Nut
HWHCS	Hex Washer Head Cap Screw

HWHMS	Hex Washer Head Machine Screw
HXBHCS	Hex Socket Button Head Cap Screw
J	Hex Jam Nut
JIC	37 Degree Tapered Thread
L	Helical Spring Lock Washer
LUG	Lug Bolt
NFC	National Fine Cap Screw
NPSM	National Pipe Straight Mechanical
NPTF	National Pipe Taper Fuel
P	Wide Plain Washer
PHMS	Pan Head Machine Screw
PLOW	Plow Bolt
RHMS	Round Head Machine Screw
RHSNB	Round Head Square Neck Bolt
SCREW LEVELING	Leveling Screw
SCREW THUMB	Thumb Screw
SCREW WELD	Weld Screw
SFCHMS	Slotted Flat Countersunk Head Machine Screw
SFHMS	Slotted Fillister Head Machine Screw
SP	Special
SP SCREW	Special Screw
SQHSS	Square Head Set Screw
SRHMS	Slotted Round Head Machine Screw
SSS	Socket Set Screw
STCS	Self Tapping Cap Screw
STHMS	Slotted Truss Head Machine Screw
WHEEL	Wheel Studs and Hub Long Bolts
WING	Wing Bolt

Replacement Hardware

The **Hardware Legend** above lists hardware abbreviations used in the parts list. All bolts and nuts are Grade 5 unless otherwise noted. The use of improper grades of hardware can result in personal injury, damage to equipment, or loss of property.

Colored Replacement Parts

Land Pride offers replacement parts in factory standard colors and also on select models in Green, Orange, Red and Blue. Because of the variety of colors available, special attention must be given to the part number to prevent ordering the wrong replacement part.

A suffix number corresponding to one of the colors below must be added at the end of Land Pride's part number when ordering a replacement part with that color.

81 Green 83 Red
82 Orange 84 Blue

For example, if you are ordering a replacement part with part number 555-555C and the part you need is red, then add the suffix 83 to the end of the number to make the part number read 555-555C83. Parts ordered without a suffix number will be supplied in factory standard colors.

Black Replacement Parts

Some parts are factory standard black and some must be special ordered black. If your part is special ordered black, a second part number with the additional suffix number 85 on the end will be available. In this situation you must order that part with the suffix number for it to be black. Parts that are factory standard black will not have the suffix number.

Part Number Service Coding

Within the parts list some part numbers are coded for revisions and interchangeability. See notations in revision column.

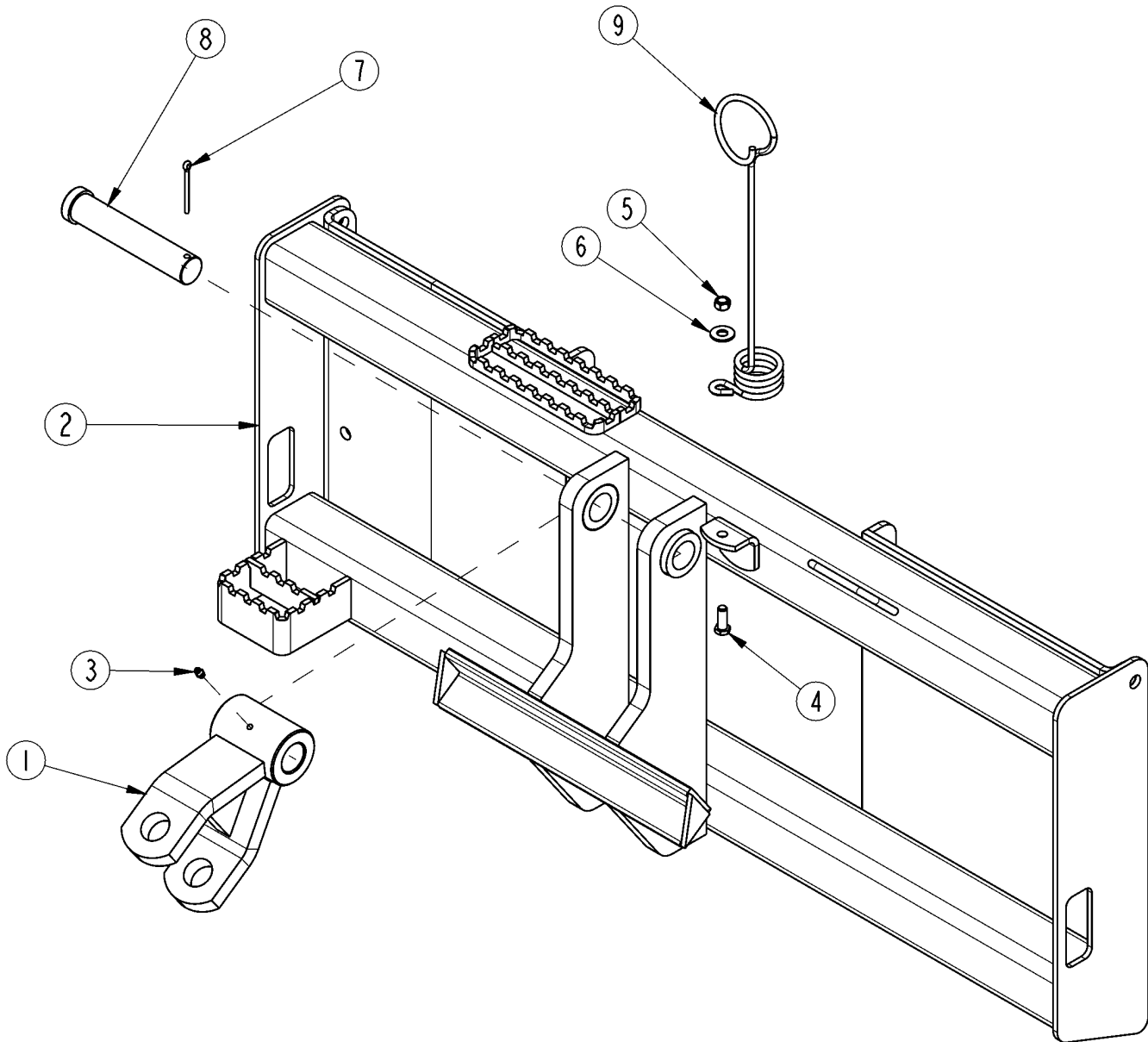
Serial Numbers

Always use the serial and model number when ordering parts. Refer to the Operator's Manual for serial number plate location.

- | | |
|----------------------|--|
| (S/N 20001+) | Includes serial numbers 20001 and above (to the latest number) |
| (S/N 10001 to 20000) | Includes serial numbers between and including 10001 and 20000 |
| (S/N 10000-) | Includes serial numbers 10000 and below (to the earliest number) |

Hitch

Applies to SAC35



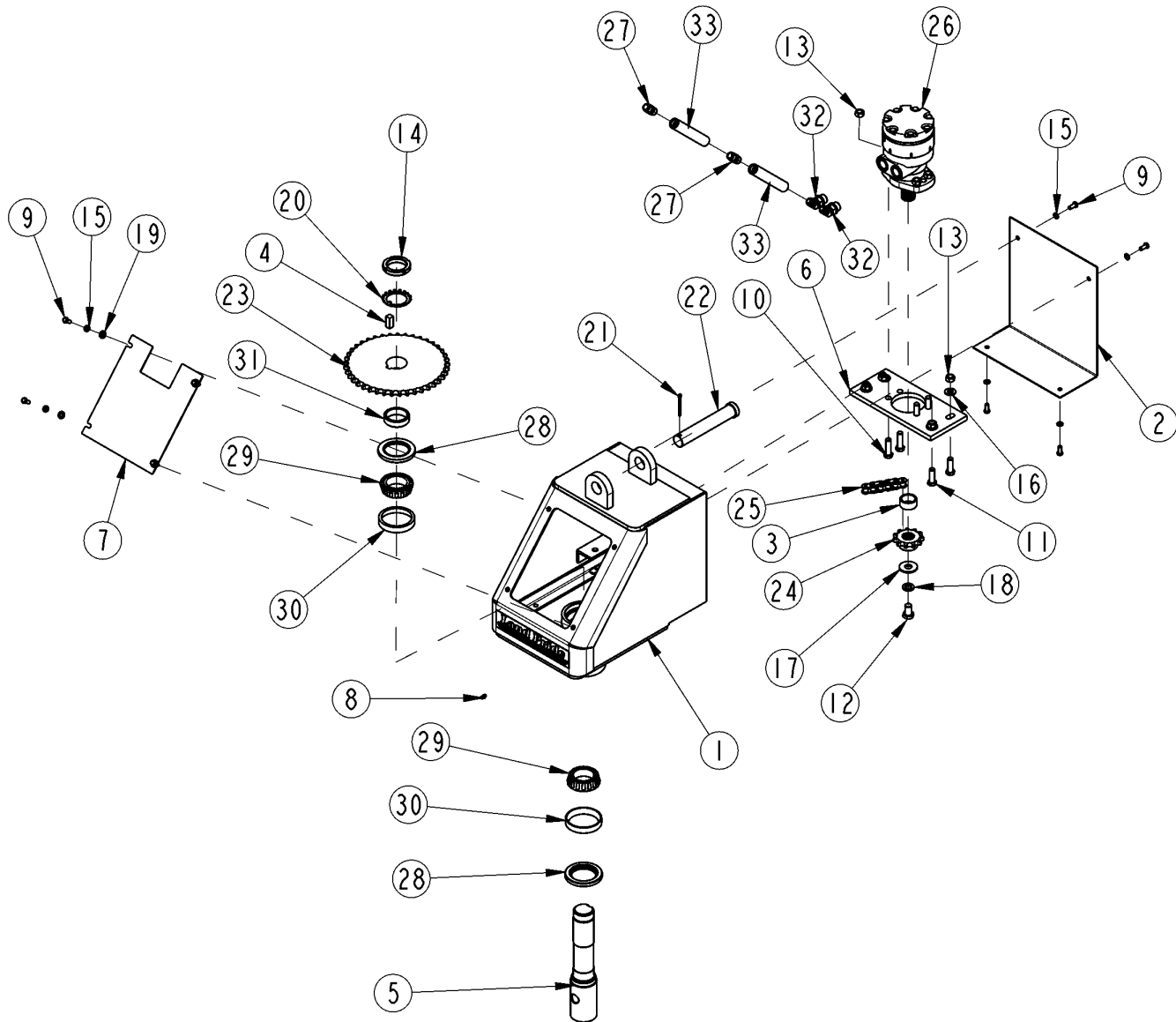
26721

Hitch**Applies to SAC35**

Ref	Part No.	Part Description	Comments	Revision
	dwg26721	Drawing Image Number		
1.	317-085H	HYD. AUGER CLEVIS WELDMENT		
2.	317-115H	HYD AUGER HITCH WELDMENT		
3.	800-080C	GREASE ZERK 1/4-28 THD FORMING		
4.	802-017C	HHCS 3/8-16X1 GR5	S/N 689255+	
5.	803-013C	NUT LOCK 3/8-16 PLT		
6.	804-011C	WASHER FLAT 3/8 USS PLT		
7.	805-058C	PIN COTTER 3/16 X 2		
8.	805-311C	PIN CLEVIS 1 1/4 X 6 USABLE		
9.	807-023C	SPRING HOSE LOOP		

Motor & Chain Box Components 2 9/16 Round Shaft Drive S/N 709300-

Applies to SAC35

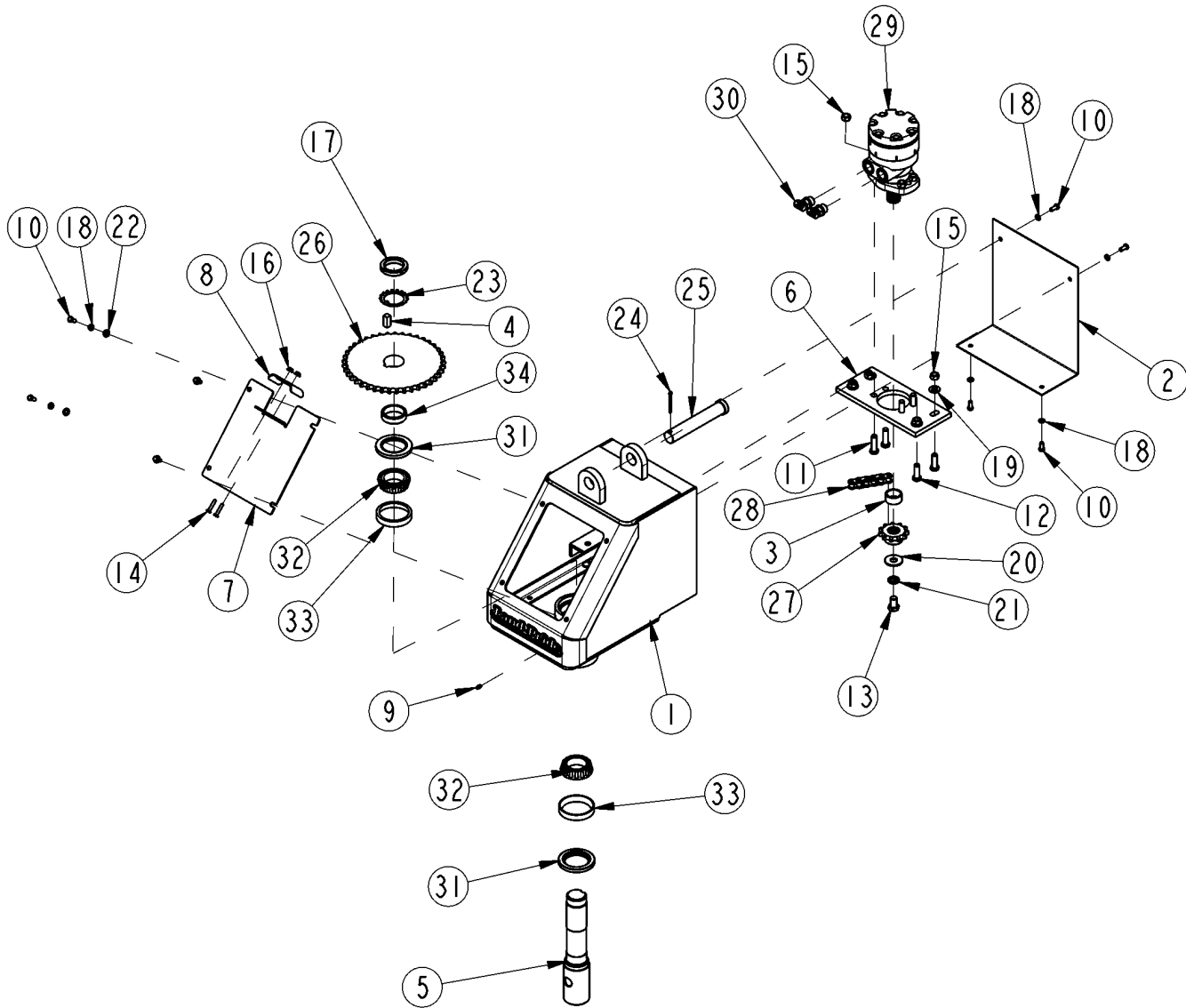


Motor & Chain Box Components 2 9/16 Round Shaft Drive S/N 709300-**Applies to SAC35**

Ref	Part No.	Part Description	Comments	Revision
	Dwg 26719	Drawing Image Number *		
1.	317-065H	30/35 CHAIN BOX WELDMENT		
2.	317-073D	CHAIN BOX REAR PANEL		
3.	317-076D	SPACER, MOTOR SPKT		
4.	317-082D	KEY 1/2 SQ X 1 1/4 LG		
5.	317-083D	CHAIN BOX 2 9/16 RND SHAFT		
6.	317-107D	MOTOR MOUNT		
7.	317-129D	ACCESS PLATE		
8.	800-080C	GREASE ZERK 1/4-28 THD FORMING		
9.	802-007C	HHCS 5/16-18X3/4 GR5		
10.	802-082C	HHCS 1/2-13X1 3/4 GR5		
11.	802-091C	HHCS 1/2-13X1 1/2 GR5		
12.	802-209C	HHCS 5/8-18X1 GR5		
13.	803-019C	NUT LOCK 1/2-13 PLT		
14.	803-369C	NUT RETAINING N-10 UNS THREADS		
15.	804-009C	WASHER LOCK SPRING 5/16 PLT		
16.	804-016C	WASHER FLAT 1/2 SAE PLT		
17.	804-019C	WASHER FLAT 5/8 USS PLT		
18.	804-022C	WASHER LOCK SPRING 5/8 PLT		
19.	804-036C	WASHER FLAT 5/16 SAE PLT		
20.	804-232C	WASHER LOCK W-10		
21.	805-058C	PIN COTTER 3/16 X 2		
22.	805-312C	PIN CLEVIS 1 1/4 X 6 7/8 USBL		
23.	808-289C	SPKT 60B41X2 BORE W/KW		
24.	808-290C	SPKT 60B11 X 12/24X14T SPLINE		
25.	809-230C	CHAIN RL #60 - 48 PITCH W/CON		
26.	810-531C	RPBY 850-252C	Obsolete	
27.	811-290C	AD 3/4MJIC 1/2FNPT		
28.	816-357C	SEAL 2.375 IDX3.623 ODX0.375		
29.	822-192C	BRG CONE 368		
30.	822-193C	BRG CUP 362A		
31.	827-076C	BSHG CHAIN BOX UPPER OUTPUT		
32.	841-277C	EL 45 7/8MORB 1/2FNPTS		
33.	841-278C	NIPPLE 1/2-14 MNPT X 6 LONG		

Motor & Chain Box Components 2 9/16 Round Shaft Drive S/N 709301+

Applies to SAC35



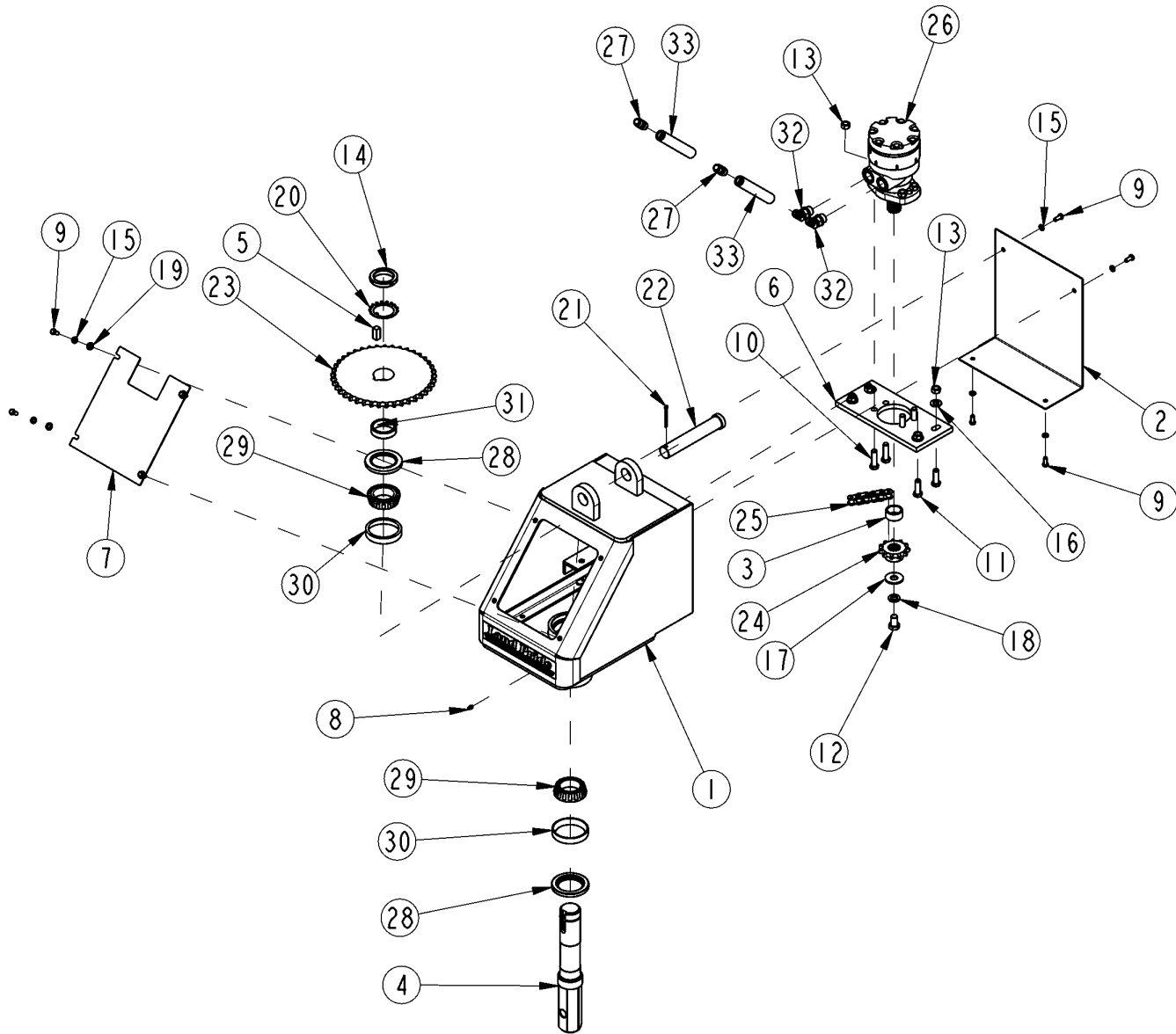
33384

Motor & Chain Box Components 2 9/16 Round Shaft Drive S/N 709301+**Applies to SAC35**

Ref	Part No.	Part Description	Comments	Revision
	Dwg 33384	Drawing Image Number		
1.	317-065H	30/35 CHAIN BOX WELDMENT		
2.	317-073D	CHAIN BOX REAR PANEL		
3.	317-076D	SPACER, MOTOR SPKT		
4.	317-082D	KEY 1/2 SQ X 1 1/4 LG		
5.	317-083D	CHAIN BOX 2 9/16 RND SHAFT		
6.	317-107D	MOTOR MOUNT		
7.	317-136D	ACCESS PLATE W/HYD FLANGE		
8.	502-068D	HYD HOSE CLAMP BRACKET		
9.	800-080C	GREASE ZERK 1/4-28 THD FORMING		
10.	802-007C	HHCS 5/16-18X3/4 GR5		
11.	802-082C	HHCS 1/2-13X1 3/4 GR5		
12.	802-091C	HHCS 1/2-13X1 1/2 GR5		
13.	802-209C	HHCS 5/8-18X1 GR5		
14.	802-224C	HHCS 1/4-20X1 1/4 GR5		
15.	803-019C	NUT LOCK 1/2-13 PLT		
16.	803-088C	NUT HEX LOCK 1/4-20 FLG		
17.	803-369C	NUT RETAINING N-10 UNS THREADS		
18.	804-009C	WASHER LOCK SPRING 5/16 PLT		
19.	804-016C	WASHER FLAT 1/2 SAE PLT		
20.	804-019C	WASHER FLAT 5/8 USS PLT		
21.	804-022C	WASHER LOCK SPRING 5/8 PLT		
22.	804-036C	WASHER FLAT 5/16 SAE PLT		
23.	804-232C	WASHER LOCK W-10		
24.	805-058C	PIN COTTER 3/16 X 2		
25.	805-312C	PIN CLEVIS 1 1/4 X 6 7/8 USBL		
26.	808-289C	SPKT 60B41X2 BORE W/KW		
27.	808-290C	SPKT 60B11 X 12/24X14T SPLINE		
28.	809-230C	CHAIN RL #60 - 48 PITCH W/CON		
29.	850-252C	HYD MTR 18 CU IN DSP W/14T SPL	S/N 1112383+	
29.	810-531C	RPBY 850-252C	S/N 1112382- (Obsolete)	
30.	811-778C	EL 45 7/8MORB 3/4MJIC		
31.	816-357C	SEAL 2.375 IDX3.623 ODX0.375		
32.	822-192C	BRG CONE 368		
33.	822-193C	BRG CUP 362A		
34.	827-076C	BSHG CHAIN BOX UPPER OUTPUT		

Motor & Chain Box Components 2 Hex Drive S/N 709300-

Applies to SAC35



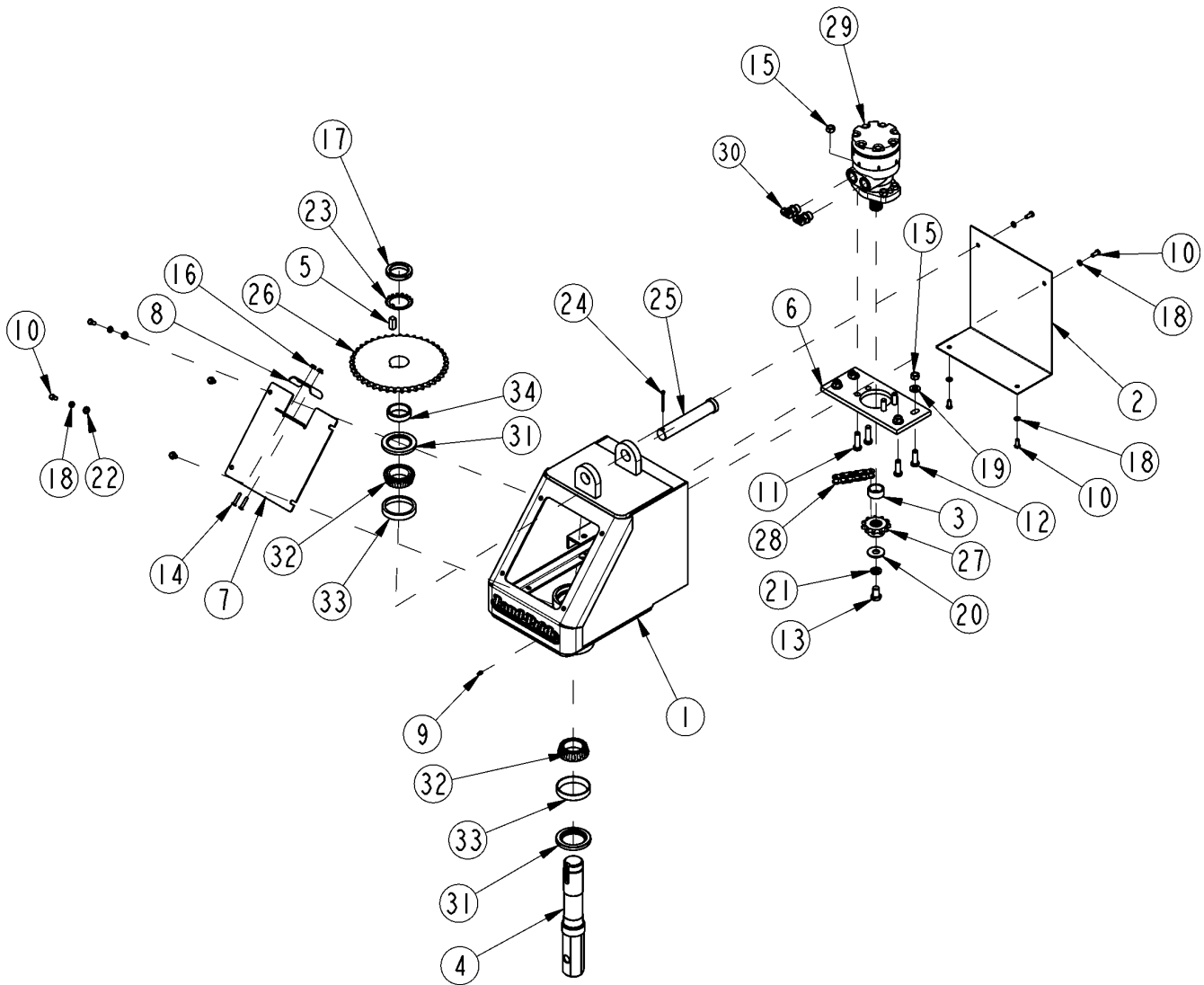
26717

Motor & Chain Box Components 2 Hex Drive S/N 709300-**Applies to SAC35**

Ref	Part No.	Part Description	Comments	Revision
	Dwg 26717	Drawing Image Number *		
1.	317-065H	30/35 CHAIN BOX WELDMENT		
2.	317-073D	CHAIN BOX REAR PANEL		
3.	317-076D	SPACER, MOTOR SPKT		
4.	317-080D	CHAIN BOX 2 HEX SHAFT		
5.	317-082D	KEY 1/2 SQ X 1 1/4 LG		
6.	317-107D	MOTOR MOUNT		
7.	317-129D	ACCESS PLATE		
8.	800-080C	GREASE ZERK 1/4-28 THD FORMING		
9.	802-007C	HHCS 5/16-18X3/4 GR5		
10.	802-082C	HHCS 1/2-13X1 3/4 GR5		
11.	802-091C	HHCS 1/2-13X1 1/2 GR5		
12.	802-209C	HHCS 5/8-18X1 GR5		
13.	803-019C	NUT LOCK 1/2-13 PLT		
14.	803-369C	NUT RETAINING N-10 UNS THREADS		
15.	804-009C	WASHER LOCK SPRING 5/16 PLT		
16.	804-016C	WASHER FLAT 1/2 SAE PLT		
17.	804-019C	WASHER FLAT 5/8 USS PLT		
18.	804-022C	WASHER LOCK SPRING 5/8 PLT		
19.	804-036C	WASHER FLAT 5/16 SAE PLT		
20.	804-232C	WASHER LOCK W-10		
21.	805-058C	PIN COTTER 3/16 X 2		
22.	805-312C	PIN CLEVIS 1 1/4 X 6 7/8 USBL		
23.	808-289C	SPKT 60B41X2 BORE W/KW		
24.	808-290C	SPKT 60B11 X 12/24X14T SPLINE		
25.	809-230C	CHAIN RL #60 - 48 PITCH W/CON		
26.	810-531C	RPBY 850-252C	Obsolete	
27.	811-290C	AD 3/4MJIC 1/2FNPT		
28.	816-357C	SEAL 2.375 IDX3.623 ODX0.375		
29.	822-192C	BRG CONE 368		
30.	822-193C	BRG CUP 362A		
31.	827-076C	BSHG CHAIN BOX UPPER OUTPUT		
32.	811-778C	EL 45 7/8MORB 3/4MJIC		
33.	841-278C	NIPPLE 1/2-14 MNPT X 6 LONG		

Motor & Chain Box Components 2 Hex Drive S/N 709301+

Applies to SAC35



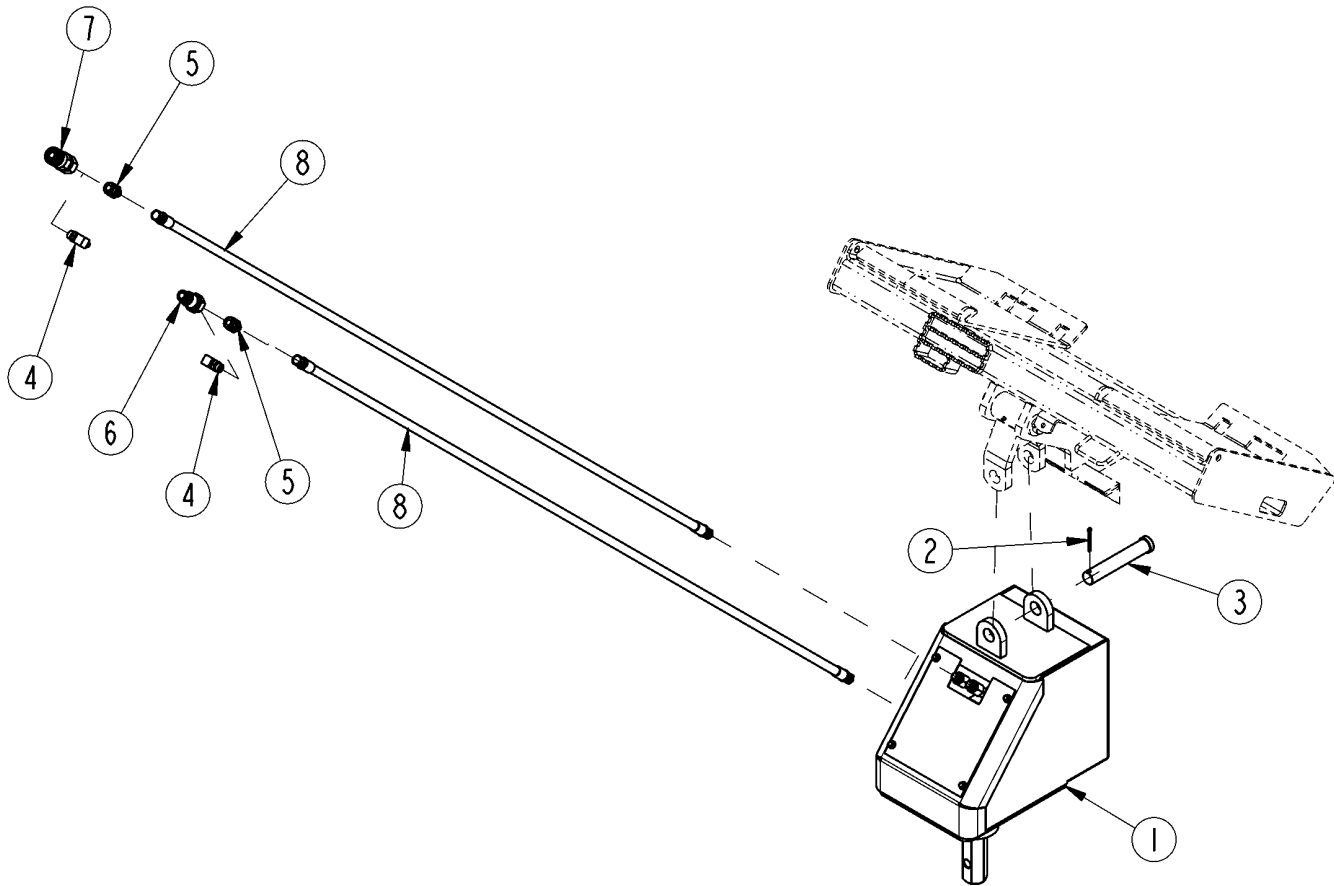
33383

Motor & Chain Box Components 2 Hex Drive S/N 709301+**Applies to SAC35**

Ref	Part No.	Part Description	Comments	Revision
	Dwg 33383	Drawing Image Number		
1.	317-065H	30/35 CHAIN BOX WELDMENT		
2.	317-073D	CHAIN BOX REAR PANEL		
3.	317-076D	SPACER, MOTOR SPKT		
4.	317-080D	CHAIN BOX 2 HEX SHAFT		
5.	317-082D	KEY 1/2 SQ X 1 1/4 LG		
6.	317-107D	MOTOR MOUNT		
7.	317-136D	ACCESS PLATE W/HYD FLANGE		
8.	502-068D	HYD HOSE CLAMP BRACKET		
9.	800-080C	GREASE ZERK 1/4-28 THD FORMING		
10.	802-007C	HHCS 5/16-18X3/4 GR5		
11.	802-082C	HHCS 1/2-13X1 3/4 GR5		
12.	802-091C	HHCS 1/2-13X1 1/2 GR5		
13.	802-209C	HHCS 5/8-18X1 GR5		
14.	802-224C	HHCS 1/4-20X1 1/4 GR5		
15.	803-019C	NUT LOCK 1/2-13 PLT		
16.	803-088C	NUT HEX LOCK 1/4-20 FLG		
17.	803-369C	NUT RETAINING N-10 UNS THREADS		
18.	804-009C	WASHER LOCK SPRING 5/16 PLT		
19.	804-016C	WASHER FLAT 1/2 SAE PLT		
20.	804-019C	WASHER FLAT 5/8 USS PLT		
21.	804-022C	WASHER LOCK SPRING 5/8 PLT		
22.	804-036C	WASHER FLAT 5/16 SAE PLT		
23.	804-232C	WASHER LOCK W-10		
24.	805-058C	PIN COTTER 3/16 X 2		
25.	805-312C	PIN CLEVIS 1 1/4 X 6 7/8 USBL		
26.	808-289C	SPKT 60B41X2 BORE W/KW		
27.	808-290C	SPKT 60B11 X 12/24X14T SPLINE		
28.	809-230C	CHAIN RL #60 - 48 PITCH W/CON		
29.	850-252C	HYD MTR 18 CU IN DSP W/14T SPL	S/N 1112383+	
29.	810-531C	RPBY 850-252C	S/N 1112382- (Obsolete)	
30.	811-778C	EL 45 7/8MORB 3/4MJIC		
31.	816-357C	SEAL 2.375 IDX3.623 ODX0.375		
32.	822-192C	BRG CONE 368		
33.	822-193C	BRG CUP 362A		
34.	827-076C	BSHG CHAIN BOX UPPER OUTPUT		

Motor & Chain Box Mount

Applies to SAC35



26716

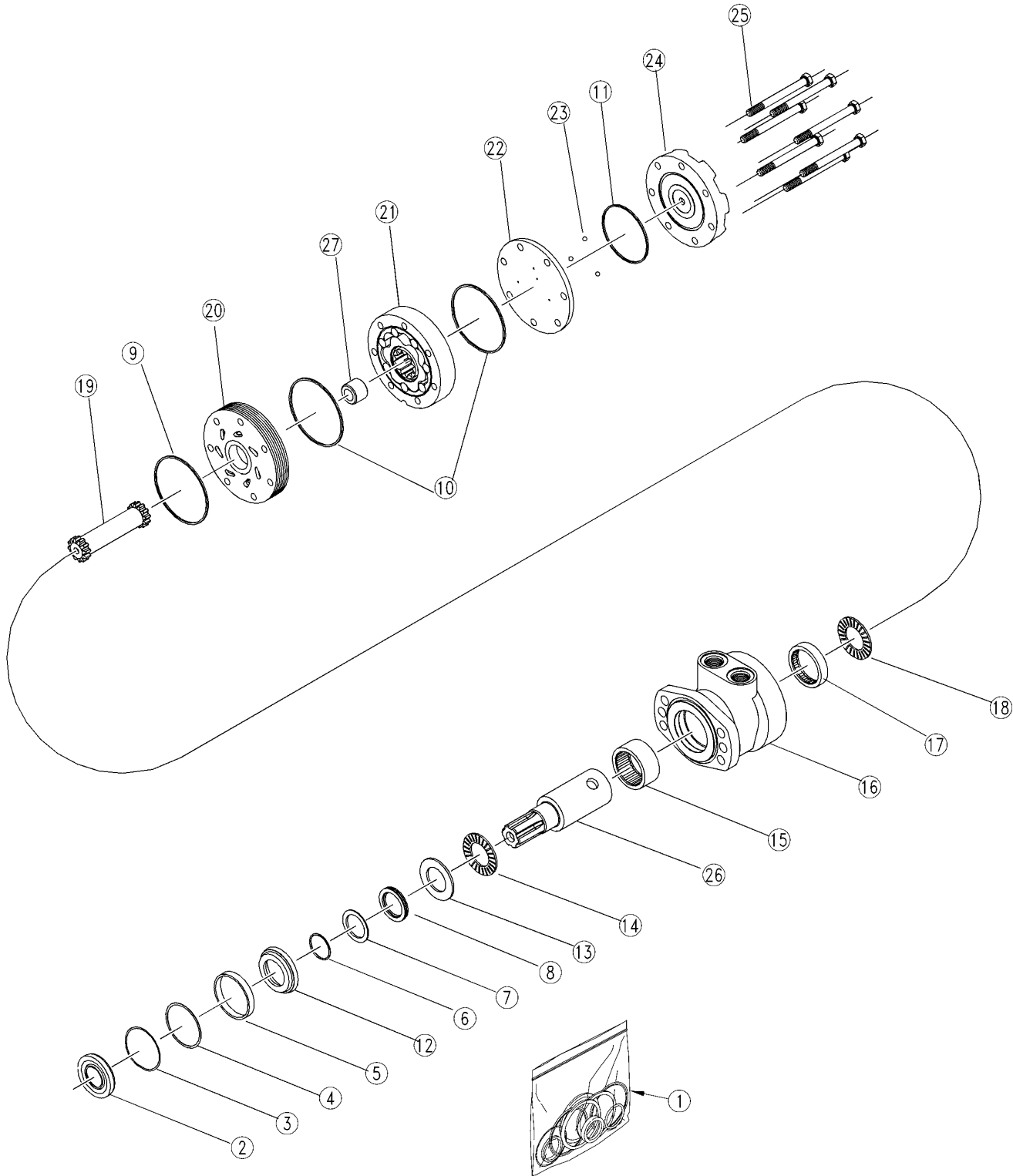
Motor & Chain Box Mount

Applies to SAC35

Ref	Part No.	Part Description	Comments	Revision
	Dwg 26716	Drawing Image Number		
1.	317-118A	35 MTR/2 HEX CB		
1.	317-121A	35 MTR/2 9/16 RND CB		
2.	805-058C	PIN COTTER 3/16 X 2		
3.	805-312C	PIN CLEVIS 1 1/4 X 6 7/8 USBL		
4.	811-091C	EL 3/4MJIC 1 1/16MORB	As Required	
5.	811-205C	AD 3/4MJIC 1 1/16MORB	As Required	
6.	851-947C	CUP 1 1/16FORB MALE QUICK CPLR		
6.	811-744C	RPBY 851-947C	Obsolete	
7.	851-948C	CUP 1 1/16FORB FML QUICK CPLR		
7.	811-745C	RPBY 851-948C	Obsolete	
8.	811-779C	HH1/2R2 096 3/4FJIC E-Z FLEX		

Hydraulic Motor (810-531C) White

Applies to SAC35



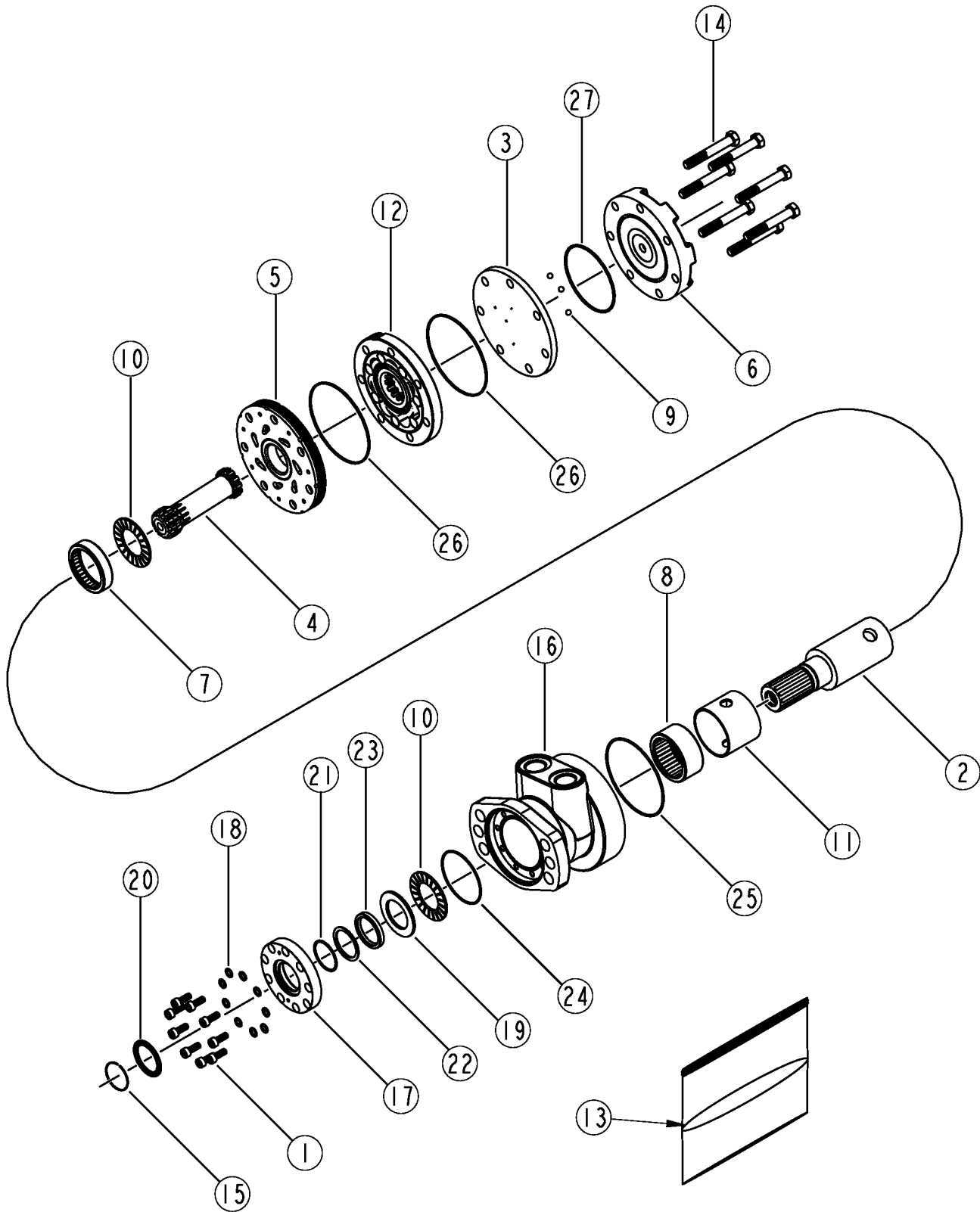
22409

Hydraulic Motor (810-531C) White**Applies to SAC35**

Ref	Part No.	Part Description	Comments	Revision
	Dwg 22409	Drawing Image Number		
1.	500444001	WH SEAL KIT	Includes items 2-13	
2.	N/A	DUST SEAL	Included with seal kit in item 1	
3.	N/A	RETAINING RING	Included with seal kit in item 1	
4.	N/A	METAL BACK UP SHIM	Included with seal kit in item 1	
5.	N/A	HOUSING SEAL	Included with seal kit in item 1	
6.	N/A	METAL BACK UP SHIM	Included with seal kit in item 1	
7.	N/A	BACK UP SEAL	Included with seal kit in item 1	
8.	N/A	HIGH PRESSURE SHAFT SEAL	Included with seal kit in item 1	
9.	N/A	REAR HOUSING SEAL	Included with seal kit in item 1	
10.	N/A	BODY SEALS (2)	Included with seal kit in item 1	
11.	N/A	ENDCOVER SEAL	Included with seal kit in item 1	
12.	N/A	SEAL CARRIER	Included with seal kit in item 1	
13.	N/A	THRUST WASHER	Included with seal kit in item 1	
14.	500018252	WH FRONT THRUST BEARING		
15.	500018003	WH FRONT HOUSING BEARING		
16.	500131823	WH "A31" HOUSING		
17.	500018002	WH REAR HOUSING BEARING		
18.	500018059	WH REAR THRUST BEARING		
19.	500014007	WH DRIVE LINK		
20.	500015006	WH FORWARD MANIFOLD		
21.	500247005	WH ROTOR SET		
22.	500012001	WH BALANCE PLATE		
23.	500018048	WH STEEL BALLS (3)		
24.	500016001	WH ENDCOVER		
25.	500445018	WH BOLTS (7)		
26.	500011600	WH SHAFT		
27.	N/A	WH SPACER	810-530C only	

Hydraulic Motor (850-252C) White

Applies to SAC35



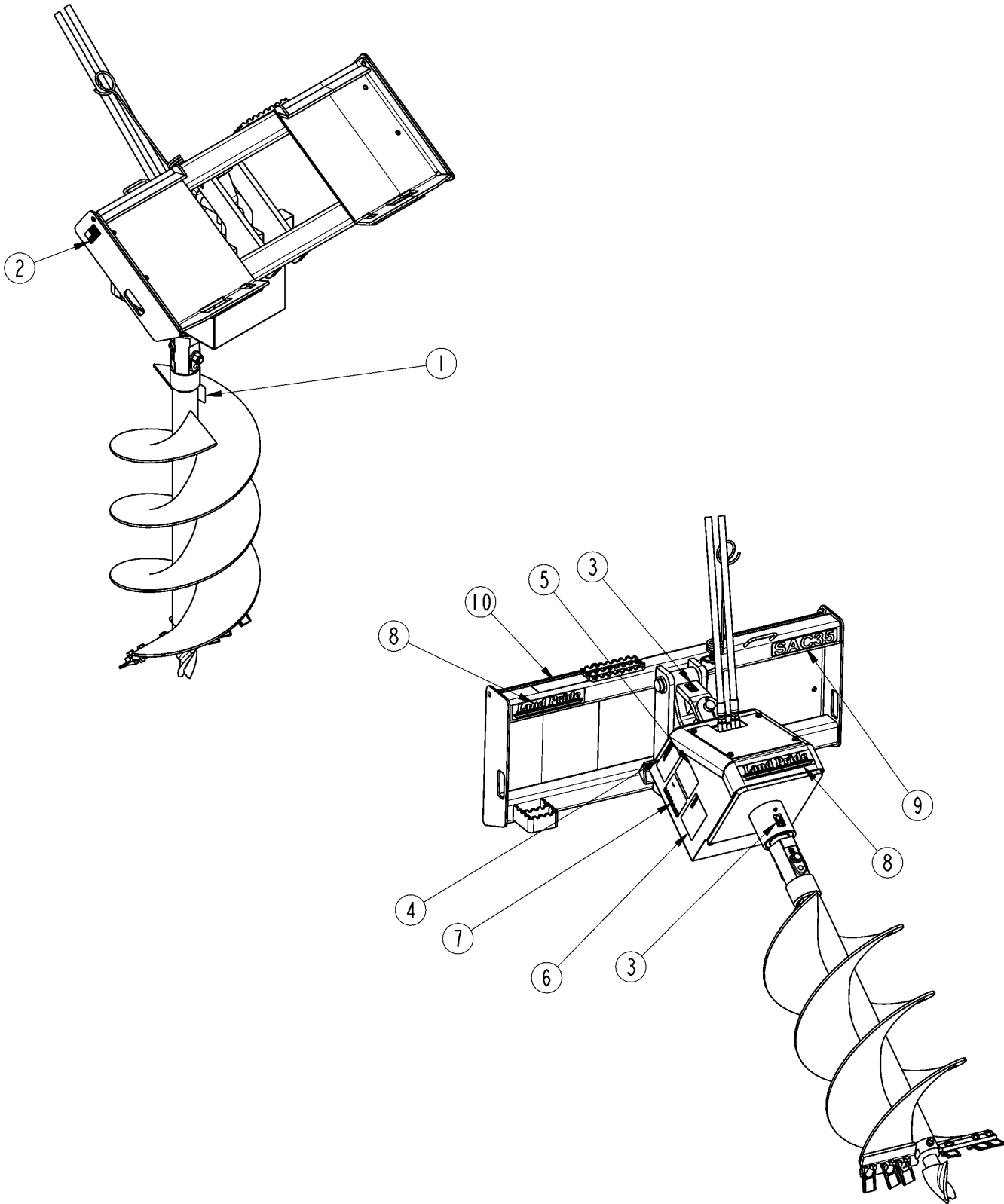
39919

Hydraulic Motor (850-252C) White**Applies to SAC35**

Ref	Part No.	Part Description	Comments	Revision
	Dwg 39919 850-252C	Image No. HYD MTR 18 CU IN DSP W/14T SPL *		
1.	157018110	WH SEAL CARRIER BOLT (9)		
2.	500011101	WH SHAFT		
3.	500012001	WH BALANCE PLATE		
4.	500014007	WH DRIVE LINK		
5.	500015006	WH FORWARD MANIFOLD		
6.	500016001	WH ENDCOVER		
7.	500018002	WH REAR HOUSING BRG		
8.	500018003	WH FRONT HOUSING BRG		
9.	500018048	WH STEEL BALLS (3)		
10.	500018059	WH REAR THRUST BRG		
11.	500018305	WH BEARING SPACER		
12.	500247005	WH ROTOR SET		
13.	500444506	WHITE SEAL KIT		
14.	500445018	WH BOLTS (7)		
15.	500449201	WH WIRE RING		
16.	505013614	WHITE HOUSING		
17.	505017001	WH SEAL CARRIER		
18.	530018100	WH SEAL CARRIER BOLT WASHER(9)		
19.	530018102	WHITE THRUST WASHER		
20.	N/A	WH DUST SEAL	Available only in Seal Kit Item #13	
21.	N/A	BACKUP SHIM	Available only in Seal Kit Item #13	
22.	N/A	BACKUP SEAL	Available only in Seal Kit Item #13	
23.	N/A	SHAFT SEAL	Available only in Seal Kit Item #13	
24.	N/A	SEAL CARRIER SEAL	Available only in Seal Kit Item #13	
25.	N/A	HOUSING SEAL	Available only in Seal Kit Item #13	
26.	N/A	BODY SEAL	Available only in Seal Kit Item #13	
27.	N/A	ENDCOVER SEAL	Available only in Seal Kit Item #13	

Decal Placement

Applies to SAC35



26722

Decal Placement

Applies to SAC35

Ref	Part No.	Part Description	Comments	Revision
	dwg26722	Drawing Image Number		
1.	135500	DECAL, DANGER AVOID INJURY		
2.	818-190C	DECAL FLAG		
3.	818-298C	DECAL GREASE 25HRS BLACK/WHITE		
4.	838-094C	DECAL WARNING HYD PRESS LONG		
5.	838-292C	DECAL ELECTROCUTE HAZARD		
6.	838-293C	DECAL WARNING READ MANUAL		
7.	838-294C	DECAL DANGER ROTATING AUGER		
8.	848-159C	DECAL LANDPRIDE 10" BROWN/GOLD		
9.	848-333C	DECAL, SAC35 GOLD		
10.	990-211R	3M CONFORM. ANTI-SLIP 2" WIDE	S/N 689254-	

Land Pride Touch-up Paints

Applies to SAC35

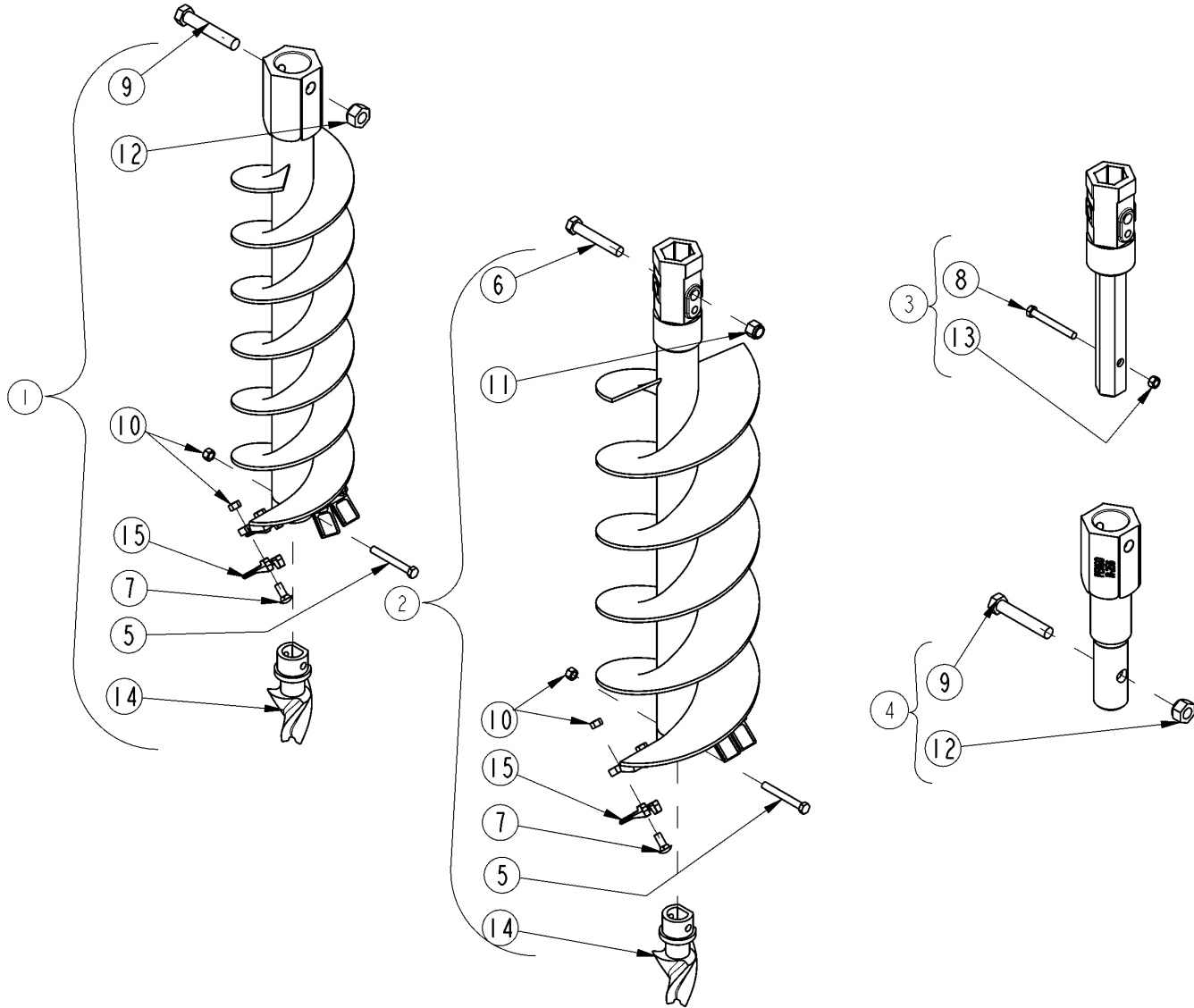
No diagram associated with this Parts List

Land Pride Touch-up Paints**Applies to SAC35**

Ref	Part No.	Part Description	Comments	Revision
1.	821-011C	LP BEIGE SPRAY CAN	Spray can	
1.	821-011CTU	LP BEIGE TOUCH-UP 5OZ	Touch-up bottle with brush	
1.	821-011CQT	LP BEIGE QUART	Quart can	
1.	821-011CGL	LP BEIGE GALLON	Gallon can	
2.	821-070C	GLOSS BLACK SPRAY CAN	Spray can	
2.	821-070CTU	GLOSS BLACK TOUCH-UP 5OZ	Touch-up bottle with brush	
2.	821-070CQT	GLOSS BLACK QUART	Quart can	
2.	821-070CGL	GLOSS BLACK GALLON	Gallon can	
3.	821-054C	MED. RED SPRAY TRCK/CTR	Spray can	
3.	821-054CTU	MED RED TOUCH-UP 5OZ	Touch-up bottle with brush	
3.	821-054CQT	MED RED QUART	Quart can	
3.	821-054CGL	MED RED GALLON	Gallon can	
4.	821-058C	GREEN SPRAY CUTTERS	Spray can	
4.	821-058CTU	GREEN TOUCH-UP 5OZ	Touch-up bottle with brush	
4.	821-058CQT	GREEN QUART	Quart can	
4.	821-058CGL	GREEN GALLON	Gallon can	
5.	821-066C	ORANGE SPRAY CAN	Spray can	
5.	821-066CTU	ORANGE TOUCH-UP 5OZ	Touch-up bottle with brush	
5.	821-066CQT	ORANGE QUART	Quart can	
5.	821-066CGL	ORANGE GALLON	Gallon can	
6.	821-067C	BLUE SPRAY CAN	Spray can	
6.	821-067CTU	BLUE TOUCH-UP 5OZ	Touch-up bottle with brush	
6.	821-067CQT	BLUE QUART	Quart can	
6.	821-067CGL	BLUE GALLON	Gallon can	
7.	821-080C	PAINT ALUMINUM/ZINC SPRAY CAN	Spray can	
7.	821-080CTU	PAINT ALUMINUM/ZINC TOUCH UP	Touch-up bottle with brush	
7.	821-080CQT	PAINT ALUMINUM/ZINC QUART	Quart can	
7.	821-080CGL	PAINT ALUMINUM/ZINC GALLON	Gallon can	

Auger

Applies to SAC35



26724

Auger

Applies to SAC35

Ref	Part No.	Part Description	Comments	Revision
	Dwg 26724	Drawing Image Number		
1.	317-096A	SA 9X2 9/16 HUB DBL AUG. ASSY	uses 4 teeth	
1.	317-099A	SA 12X2 9/16 HUB DBL AUG. ASSY	uses 4 teeth	
1.	317-102A	SA 15X2 9/16 HUB DBL AUG. ASSY	uses 5 teeth	
1.	317-105A	SA 18X2 9/16 HUB DBL AUG. ASSY	uses 6 teeth	
1.	317-108A	SA 24X2 9/16 HUB DBL AUG. ASSY	uses 8 teeth	
1.	317-111A	SA 24X2 9/16 HUB TREE AUG ASSY	uses 9 teeth	
1.	317-114A	SA 30X2 9/16 HUB DBL AUG ASSY	uses 10 teeth	
1.	317-117A	SA 30X2 9/16 HUB TREE AUG ASSY	uses 11 teeth	
1.	317-120A	SA 36X2 9/16 HUB DBL AUG. ASSY	uses 12 teeth	
1.	317-123A	SA 36X2 9/16 HUB TREE AUG ASSY	uses 13 teeth	
2.	317-098A	SA 12X2 HEX HUB DBL AUGER ASSY	uses 4 teeth	
2.	317-095A	SA 9X2 HEX HUB DBL AUGER ASSY	uses 4 teeth	
2.	317-101A	SA 15X2 HEX HUB DBL AUGER ASSY	uses 5 teeth	
2.	317-104A	SA 18X2 HEX HUB DBL AUGER ASSY	uses 6 teeth	
2.	317-107A	SA 24X2 HEX HUB DBL AUGER ASSY	uses 8 teeth	
2.	317-110A	SA 24X2 HEX HUB TREE AUG ASSY	uses 9 teeth	
2.	317-113A	SA 30X2 HEX HUB DBL AUG ASSY	uses 10 teeth	
2.	317-116A	SA 30X2 HEX HUB TREE AUG ASSY	uses 11 teeth	
2.	317-119A	SA 36X2 HEX HUB DBL AUGER ASSY	uses 12 teeth	
2.	317-122A	SA 36X2 HEX HUB TREE AUG ASSY	uses 13 teeth	
3.	317-128A	SA 12X2 HEX AUGER EXTEN. ASSY		
3.	317-129A	SA 24X2 HEX AUGER EXTEN. ASSY		
3.	317-130A	SA 36X2 HEX AUGER EXTEN. ASSY		
3.	317-131A	SA 48X2 HEX AUGER EXTEN. ASSY		
4.	317-132A	SA 12X2 9/16 OD AUGER EXT. ASY		
4.	317-133A	SA 24X2 9/16 OD AUGER EXT. ASY		
4.	317-134A	SA 36X2 9/16 OD AUGER EXT. ASY		
4.	317-135A	SA 48X2 9/16 OD AUGER EXT. ASY		
5.	802-044C	HHCS 1/2-13X4 GR5		
6.	802-192C	HHCS 3/4-10X4 1/2 GR5		
7.	802-214C	RHSNB 1/2-13X1 1/4 GR5		
8.	802-311C	HHCS 1/2-13X4 1/4 GR5		
9.	802-546C	HHCS 7/8-9X5 GR5		
10.	803-019C	NUT LOCK 1/2-13 PLT		
11.	803-025C	NUT HEX 3/4-10 PLT NYLOCK		
12.	803-028C	NUT NY-LOK 7/8-9 PLT		
13.	803-147C	NUT HEX NYLOCK 1/2-13		
14.	820-232C	PENGO TRI-FLOW PILOT BIT		
15.	820-233C	PENGO AUGER TOOTH		
15.	820-738C	AUGER CUTTING TOOTH CARBIDE		



Part Number Index

The Part Number Index is a numeric index of all part numbers included in this manual. The index shows what page(s) the part is used on.

Part Number	Page	Part Number	Page	Part Number	Page
135500	23	802-082C	9, 11, 13, 15	821-080CQT	25
157018110	21	802-091C	9, 11, 13, 15	821-080CTU	25
317-065H	9, 11, 13, 15	802-192C	27	822-192C	9, 11, 13, 15
317-073D	9, 11, 13, 15	802-209C	9, 11, 13, 15	822-193C	9, 11, 13, 15
317-076D	9, 11, 13, 15	802-214C	27	827-076C	9, 11, 13, 15
317-080D	13, 15	802-224C	11, 15	838-094C	23
317-082D	9, 11, 13, 15	802-311C	27	838-292C	23
317-083D	9, 11	802-546C	27	838-293C	23
317-085H	7	803-013C	7	838-294C	23
317-095A	27	803-019C	9, 11, 13, 15, 27	841-277C	9
317-096A	27	803-025C	27	841-278C	9, 13
317-098A	27	803-028C	27	848-159C	23
317-099A	27	803-088C	11, 15	848-333C	23
317-101A	27	803-147C	27	850-252C	11, 15, 21
317-102A	27	803-369C	9, 11, 13, 15	851-947C	17
317-104A	27	804-009C	9, 11, 13, 15	851-948C	17
317-105A	27	804-011C	7	990-211R	23
317-107A	27	804-016C	9, 11, 13, 15	Dwg 22409	19
317-107D	9, 11, 13, 15	804-019C	9, 11, 13, 15	Dwg 26716	17
317-108A	27	804-022C	9, 11, 13, 15	Dwg 26717	13
317-110A	27	804-036C	9, 11, 13, 15	Dwg 26719	9
317-111A	27	804-232C	9, 11, 13, 15	Dwg 26724	27
317-113A	27	805-058C	7, 9, 11, 13, 15,	Dwg 33383	15
317-114A	27		17	Dwg 33384	11
317-115H	7	805-311C	7	Dwg 39919	21
317-116A	27	805-312C	9, 11, 13, 15, 17	dwg26721	7
317-117A	27	807-023C	7	dwg26722	23
317-118A	17	808-289C	9, 11, 13, 15	N/A	19, 21
317-119A	27	808-290C	9, 11, 13, 15		
317-120A	27	809-230C	9, 11, 13, 15		
317-121A	17	810-531C	9, 11, 13, 15		
317-122A	27	811-091C	17		
317-123A	27	811-205C	17		
317-128A	27	811-290C	9, 13		
317-129A	27	811-744C	17		
317-129D	9, 13	811-745C	17		
317-130A	27	811-778C	11, 13, 15		
317-131A	27	811-779C	17		
317-132A	27	816-357C	9, 11, 13, 15		
317-133A	27	818-190C	23		
317-134A	27	818-298C	23		
317-135A	27	820-232C	27		
317-136D	11, 15	820-233C	27		
500011101	21	820-738C	27		
500011600	19	821-011C	25		
500012001	19, 21	821-011CGL	25		
500014007	19, 21	821-011CQT	25		
500015006	19, 21	821-011CTU	25		
500016001	19, 21	821-054C	25		
500018002	19, 21	821-054CGL	25		
500018003	19, 21	821-054CQT	25		
500018048	19, 21	821-054CTU	25		
500018059	19, 21	821-058C	25		
500018252	19	821-058CGL	25		
500018305	21	821-058CQT	25		
500131823	19	821-058CTU	25		
500247005	19, 21	821-066C	25		
500444001	19	821-066CGL	25		
500444506	21	821-066CQT	25		
500445018	19, 21	821-066CTU	25		
500449201	21	821-067C	25		
502-068D	11, 15	821-067CGL	25		
505013614	21	821-067CQT	25		
505017001	21	821-067CTU	25		
530018100	21	821-070C	25		
530018102	21	821-070CGL	25		
800-080C	7, 9, 11, 13, 15	821-070CQT	25		
802-007C	9, 11, 13, 15	821-070CTU	25		
802-017C	7	821-080C	25		
802-044C	27	821-080CGL	25		

This Page Intentionally Left Blank



Great Plains Manufacturing, Inc.

Corporate Office: P.O. Box 5060
Salina, Kansas 67402-5060 USA

www.landpride.com
