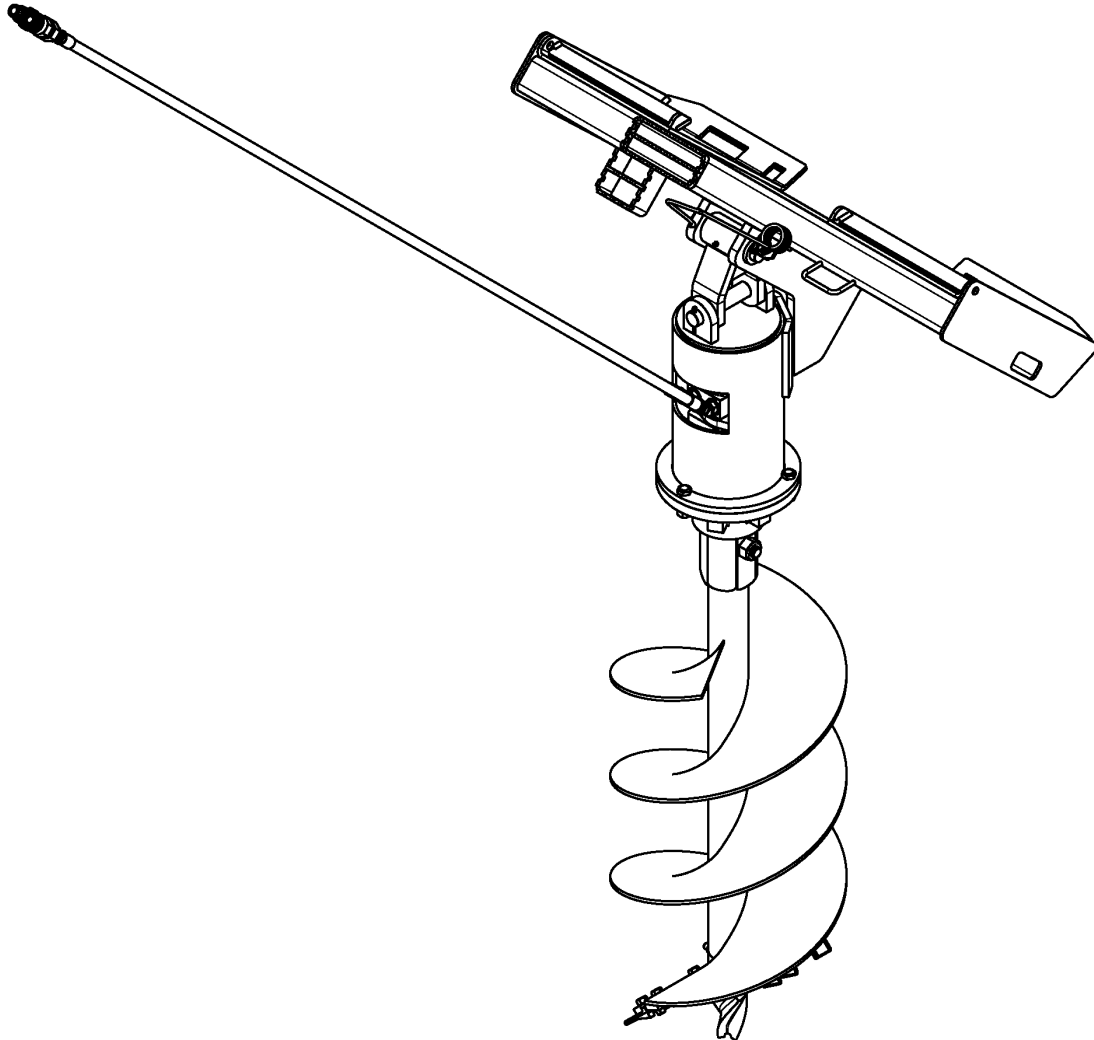


Post Hole Digger

AP-SA35



37686

Kubota®

317-093PK
Parts Manual



Read the Operator's Manual entirely. When you see this symbol, the subsequent instructions and warnings are serious - follow without exception. Your life and the lives of others depend on it!

© Copyright 2018 Printed 07/11/18

Cover photo may show optional equipment not supplied with standard unit.



Table of Contents

Section 1: Introduction.....	4
Using This Manual.....	4
Manual Replacement Information.....	4
Manual Revisions.....	4
Touch-up Paint.....	4
Hardware Legend.....	5
Replacement Hardware.....	5
Serial Numbers.....	5
Part Number Service Coding.....	5
Section 2: Frames.....	6
Gearbox Housing S/N _____ +.....	6
Gearbox Housing S/N _____ -.....	8
Hitch.....	10
Section 3: Gearboxes.....	12
Gearbox (826-313C) (826-314C).....	12
Section 4: Hydraulic Motor.....	14
Hydraulic Motor (810-531C) White.....	14
Hydraulic Motor (850-252C) White.....	16
Section 5: Decals.....	18
Decal Placement.....	18
Kubota Touch-up Paints.....	20
Section 6: Options & Accessories.....	22
12" Bolt-On Rock Head (317-276A).....	22
15" Bolt-On Rock Head (317-277A).....	24
18" Bolt-On Rock Head (317-278A).....	26
24" Bolt-On Rock Head (317-279A).....	28
6" Bolt-On Rock Head (317-274A).....	30
9" Bolt-On Rock Head (317-275A).....	32
Augers & Extensions.....	34
Part Number Index.....	36

© Copyright 2018. All rights reserved.

Kubota provides this publication "as is" without warranty of any kind, either expressed or implied. While every precaution has been taken in the preparation of this manual, Kubota assumes no responsibility for errors or omissions. Neither is any liability assumed for damages resulting from the use of the information contained herein. Kubota reserves the right to revise and improve its products as it sees fit. This publication describes the state of this product at the time of its publication, and may not reflect the product in the future. The illustrations in this manual are not intended for safe and proper assembly or disassembly of equipment. The illustrations are intended for ordering parts only.

Kubota is registered trademark.

All other brands and product names are trademarks or registered trademarks of their respective holders.

Printed in the United States of America.



Alphabetized Table of Contents

1	
	12" Bolt-On Rock Head (317-276A).....22
	15" Bolt-On Rock Head (317-277A).....24
	18" Bolt-On Rock Head (317-278A).....26
2	
	24" Bolt-On Rock Head (317-279A).....28
6	
	6" Bolt-On Rock Head (317-274A).....30
9	
	9" Bolt-On Rock Head (317-275A).....32
A	
	Augers & Extensions.....34
D	
	Decal Placement.....18
G	
	Gearbox (826-313C) (826-314C).....12
	Gearbox Housing S/N _____+.....6
	Gearbox Housing S/N _____-.....8
H	
	Hitch.....10
	Hydraulic Motor (810-531C) White.....14
	Hydraulic Motor (850-252C) White.....16
K	
	Kubota Touch-up Paints.....20

General Information

Using This Manual

This manual is divided into sections. The first section contains General Information. The remaining sections divide the machine into segments (i.e. Frames, Drives, Hydraulics, etc.) which illustrate and list all parts. A Parts Number Index is located at the back of the book.

The Kubota parts in this manual are specially designed for this machine and should be replaced with Kubota parts only.

The information in this manual is current at time of printing. Some parts may change to assure top performance.

Right-hand and left-hand as used in this manual are determined by facing the direction the machine will travel while in use.

Below is an example of two facing pages from a parts manual. Familiarize yourself with the type of information contained on these pages.

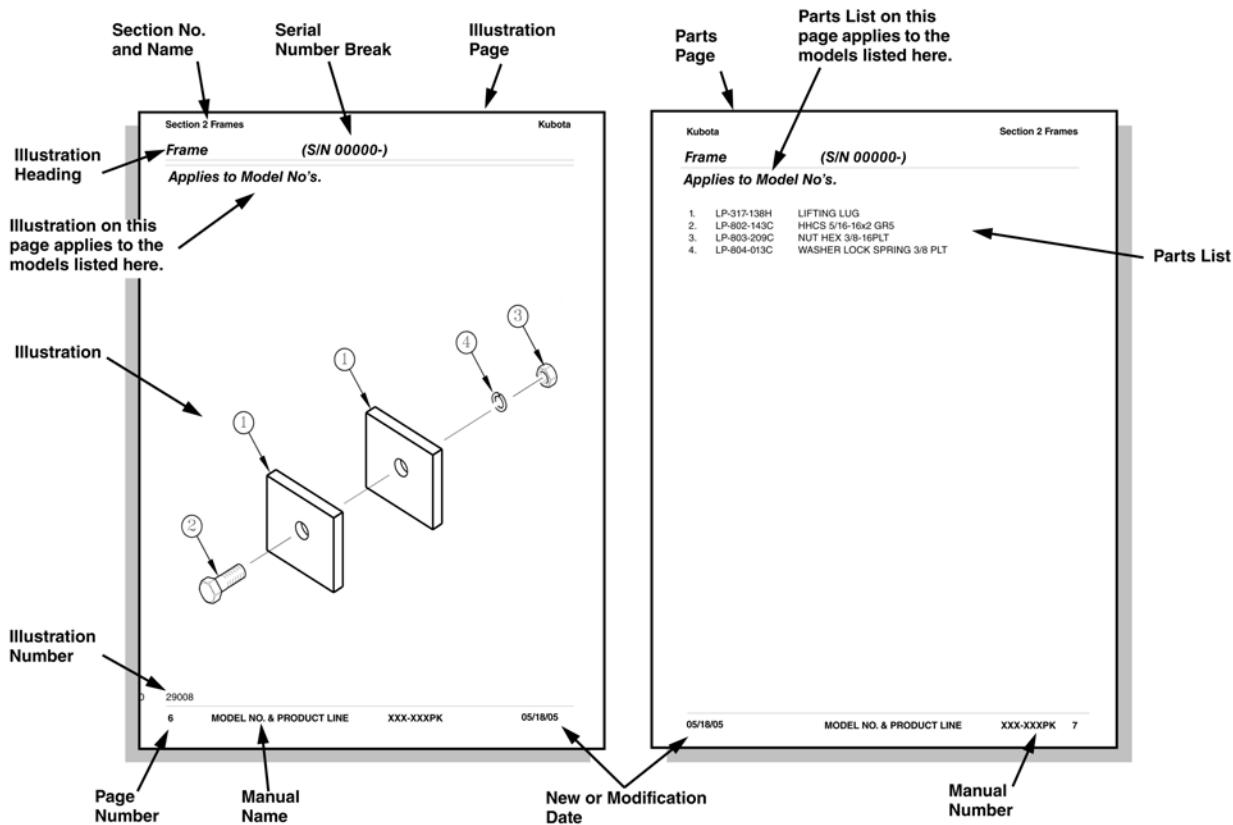
Manual Replacement Information

Replacement manuals are available. Refer to our website at www.landpride.com for additional information. Our website continues to provide the most up-to-date manuals available.

Touch-up Paint

Repaint parts where paint is worn or scratched to prevent rust. Aerosol cans and touch-up bottles with brush applicator are available through your local dealer. Also available are quart and gallon size paints. Add QT or GL to end of the Aerosol P/N.

Kubota color descriptions and part numbers are listed on the "Kubota Touch-up Paints" page in the "Decals" section of this book.



General Information

Hardware Legend

AR	As Required
BLADE	Blade Bolt
C	Cap Screw
CP	Cotter Pin
CPHSSS	Cup Point Hex Socket Set Screw
CPSHSS	Cup Point Square Head Set Screw
CPSQHSS	Cup Point Square Head Set Screw
CRFCHMS3	Cross Recess Flat Countersunk Head Machine Screw
CRPHMS	Cross Recess Pan Head Machine Screw
CRPHTFS	Cross Recess Pan Head Thread Forming
CRRHMS	Cross Recess Round Head Machine Screw
CRTHMS	Cross Recess Truss Head Machine Screw
CSNB	Countersunk Square Neck Bolt
FHMS	Flat Head Machine Screw
FTC	Full Thread Cap Screw
H	Hex Nut
HCLN	Hex Center Lock Nut
HFLCS	Hex Flange Lock Cap Screw
HFS	Hex Flange Screw
HFSLN	Hex Flange Serrated Lock Nut
HFSS	Hex Flange Serrated Screw
HHCS	Hex Head Cap Screw or Metric Bolt
HSBHCS	Hex Socket Button Head Cap Screw
HSFCHCS	Hex Socket Flat Countersunk Head Cap Screw
HSHCS	Hex Socket Head Cap Screw
HSSS	Hex Socket Head Screw
HTLN	Hex Top Lock Nut
HWHCS	Hex Washer Head Cap Screw

HWHMS	Hex Washer Head Machine Screw
HXBHCS	Hex Socket Button Head Cap Screw
J	Hex Jam Nut
JIC	37 Degree Tapered Thread
L	Helical Spring Lock Washer
LUG	Lug Bolt
NFC	National Fine Cap Screw
NPSM	National Pipe Straight Mechanical
NPTF	National Pipe Taper Fuel
P	Wide Plain Washer
PHMS	Pan Head Machine Screw
PLOW	Plow Bolt
RHMS	Round Head Machine Screw
RHSNB	Round Head Square Neck Bolt
SCREW LEVELING	Leveling Screw
SCREW THUMB	Thumb Screw
SCREW WELD	Weld Screw
SFCHMS	Slotted Flat Countersunk Head Machine Screw
SFHMS	Slotted Fillister Head Machine Screw
SP	Special
SP SCREW	Special Screw
SQHSS	Square Head Set Screw
SRHMS	Slotted Round Head Machine Screw
SSS	Socket Set Screw
STCS	Self Tapping Cap Screw
STHMS	Slotted Truss Head Machine Screw
WHEEL	Wheel Studs and Hub Long Bolts
WING	Wing Bolt

Replacement Hardware

The **Hardware Legend** above lists hardware abbreviations used in the parts list. All bolts and nuts are Grade 5 unless otherwise noted. The use of improper grades of hardware can result in personal injury, damage to equipment, or loss of property.

Part Number Service Coding

Within the parts list some part numbers are coded for revisions and interchangeability. See notations in revision column.

Serial Numbers

Always use the serial and model number when ordering parts. Refer to the Operator's Manual for serial number plate location.

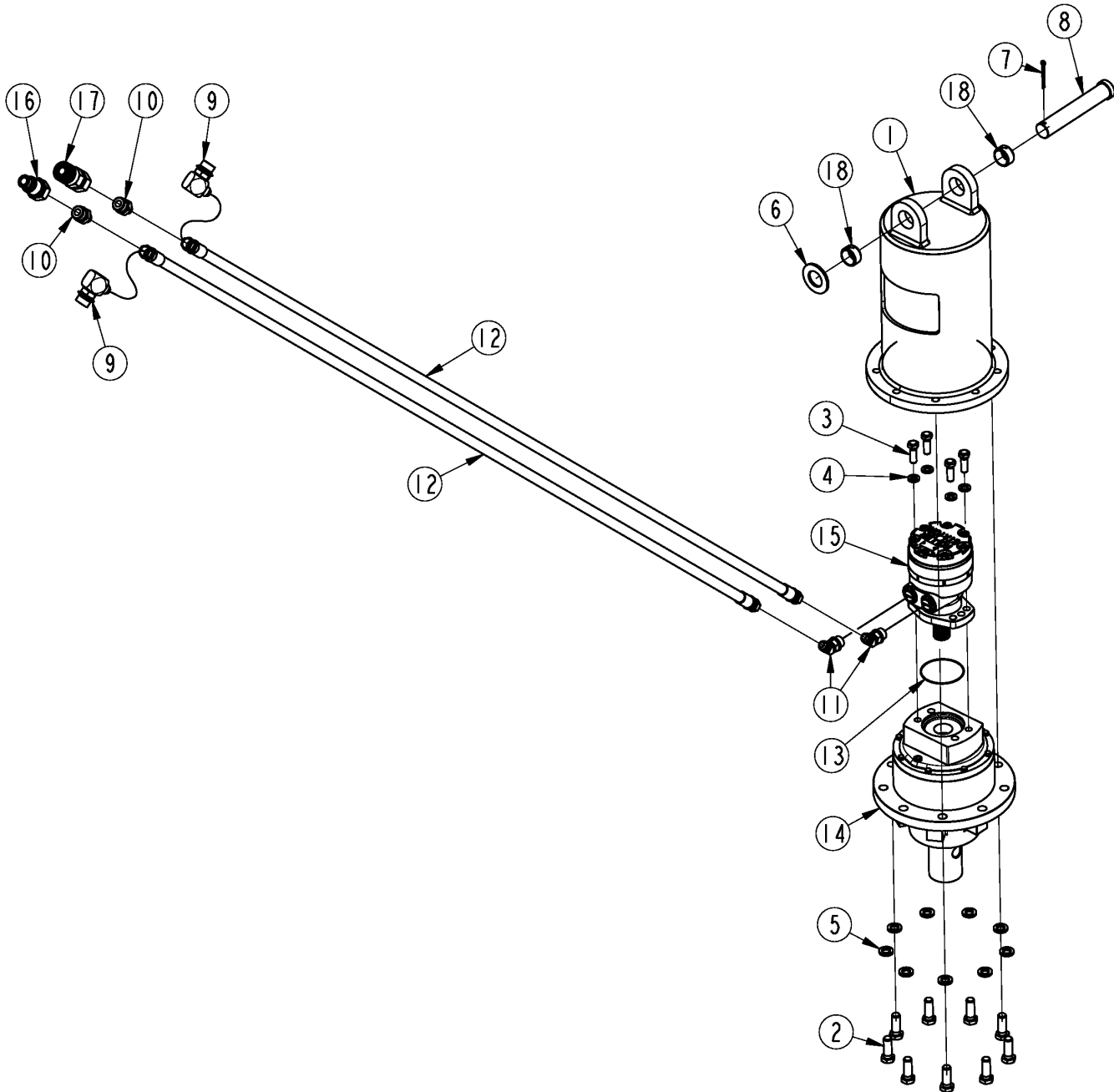
(S/N 20001+) Includes serial numbers 20001 and above (to the latest number)

(S/N 10001 to 20000) Includes serial numbers between and including 10001 and 20000

(S/N 10000-) Includes serial numbers 10000 and below (to the earliest number)

Gearbox Housing S/N _____ +

Applies to AP-SA35



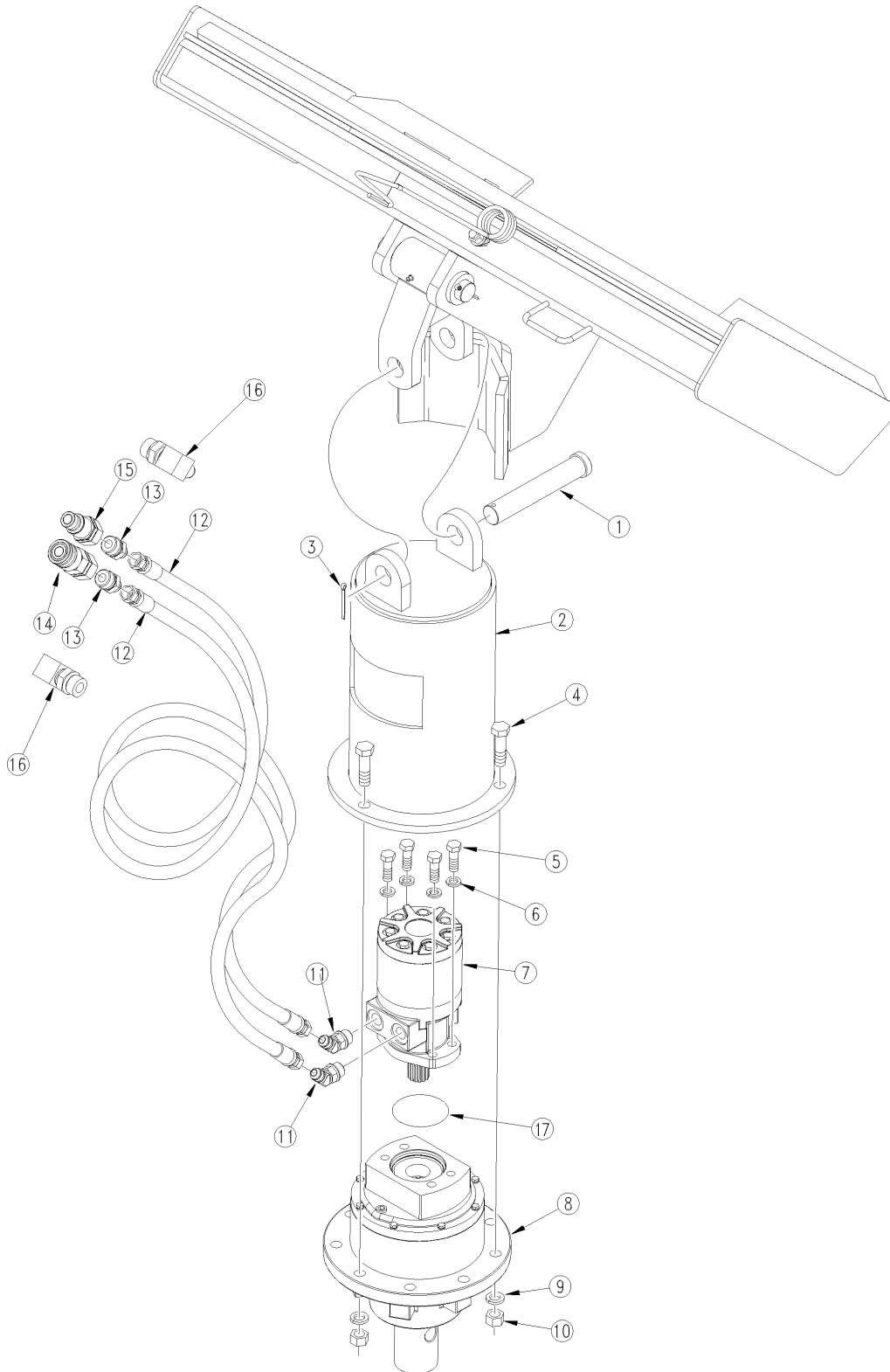
70144

Gearbox Housing S/N _____ +**Applies to AP-SA35**

Ref	Part No.	Part Description	Comments	Revision
	Dwg 70144	Image No.		
1.	317-298H	WMT, MOTOR/GBOX HOUSING		
2.	802-053C	HHCS 5/8-11X1 3/4 GR5		
3.	802-091C	HHCS 1/2-13X1 1/2 GR5		
4.	804-015C	WASHER LOCK SPRING 1/2 PLT		
5.	804-022C	WASHER LOCK SPRING 5/8 PLT		
6.	804-039C	WASHER FLAT 1 1/4 SAE PLT		
7.	805-058C	PIN COTTER 3/16 X 2		
8.	805-312C	PIN CLVS 1.25X6.88 USBL		
9.	811-091C	EL 3/4MJIC 1 1/16MORB		
10.	811-205C	AD 3/4MJIC 1 1/16MORB		
11.	811-778C	EL 45 7/8MORB 3/4MJIC		
12.	811-779C	HH1/2R2 099 3/4FJIC E-Z FLEX		
13.	816-836C	O-RING 3 1/4ID X 3 3/8OD		
14.	826-313C	GBOX 3.75:1 14T PLNTRY 2 9/16		
15.	850-252C	HYD MTR 18 CU IN DSP W/14T SPL		
16.	851-947C	CUP 1 1/16FORB MALE QUICK CPLR		
17.	851-948C	CUP 1 1/16FORB FML QUICK CPLR		
18.	890-620C	BUSHING,1 1/2X1 1/4X3/4LG		

Gearbox Housing S/N _____ -

Applies to AP-SA35



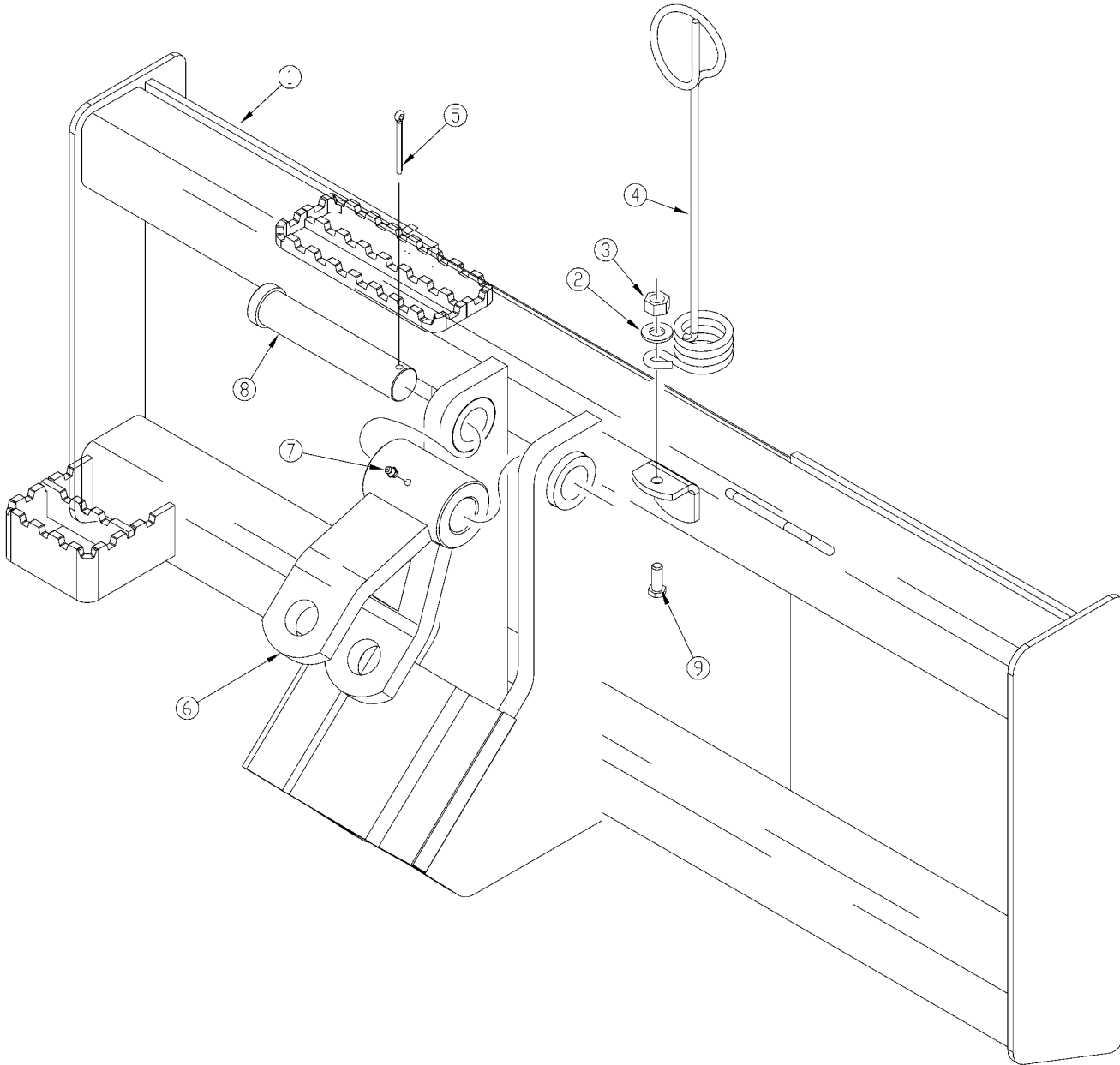
19241

Gearbox Housing S/N _____ -**Applies to AP-SA35**

Ref	Part No.	Part Description	Comments	Revision
	Dwg 19241	Drawing Image Number		
1.	805-312C	PIN CLEVIS 1 1/4 X 6 7/8 USBL		
2.	317-086H	RPBY 317-306S		
3.	805-058C	PIN COTTER 3/16 X 2		
4.	802-057C	HHCS 5/8-11X2 1/4 GR5		
5.	802-091C	HHCS 1/2-13X1 1/2 GR5		
6.	804-015C	WASHER LOCK SPRING 1/2 PLT		
7.	850-252C	HYD MTR 18 CU IN DSP W/14T SPL	S/N 1017582K+	
7.	810-531C	RPBY 850-252C	S/N 1017581K- (Obsolete)	
8.	826-313C	GBOX 3.75:1 14T PLNTRY 2 9/16		
8.	826-314C	GBOX 3.75:1 14T PLNTRY 2 HEX		
9.	804-022C	WASHER LOCK SPRING 5/8 PLT		
10.	803-021C	NUT HEX 5/8-11 PLT		
11.	811-778C	EL 45 7/8MORB 3/4MJIC		
12.	811-779C	HH1/2R2 096 3/4FJIC E-Z FLEX		
13.	811-205C	AD 3/4MJIC 1 1/16MORB	As Required	
14.	851-948C	CUP 1 1/16FORB FML QUICK CPLR		
14.	811-745C	RPBY 851-948C	Obsolete	
15.	851-947C	CUP 1 1/16FORB MALE QUICK CPLR		
15.	811-744C	RPBY 851-947C	Obsolete	
16.	811-091C	EL 3/4MJIC 1 1/16MORB	As Required	
17.	816-836C	O-RING 3 1/4ID X 3 3/8OD	S/N 1003413K+	

Hitch

Applies to AP-SA35



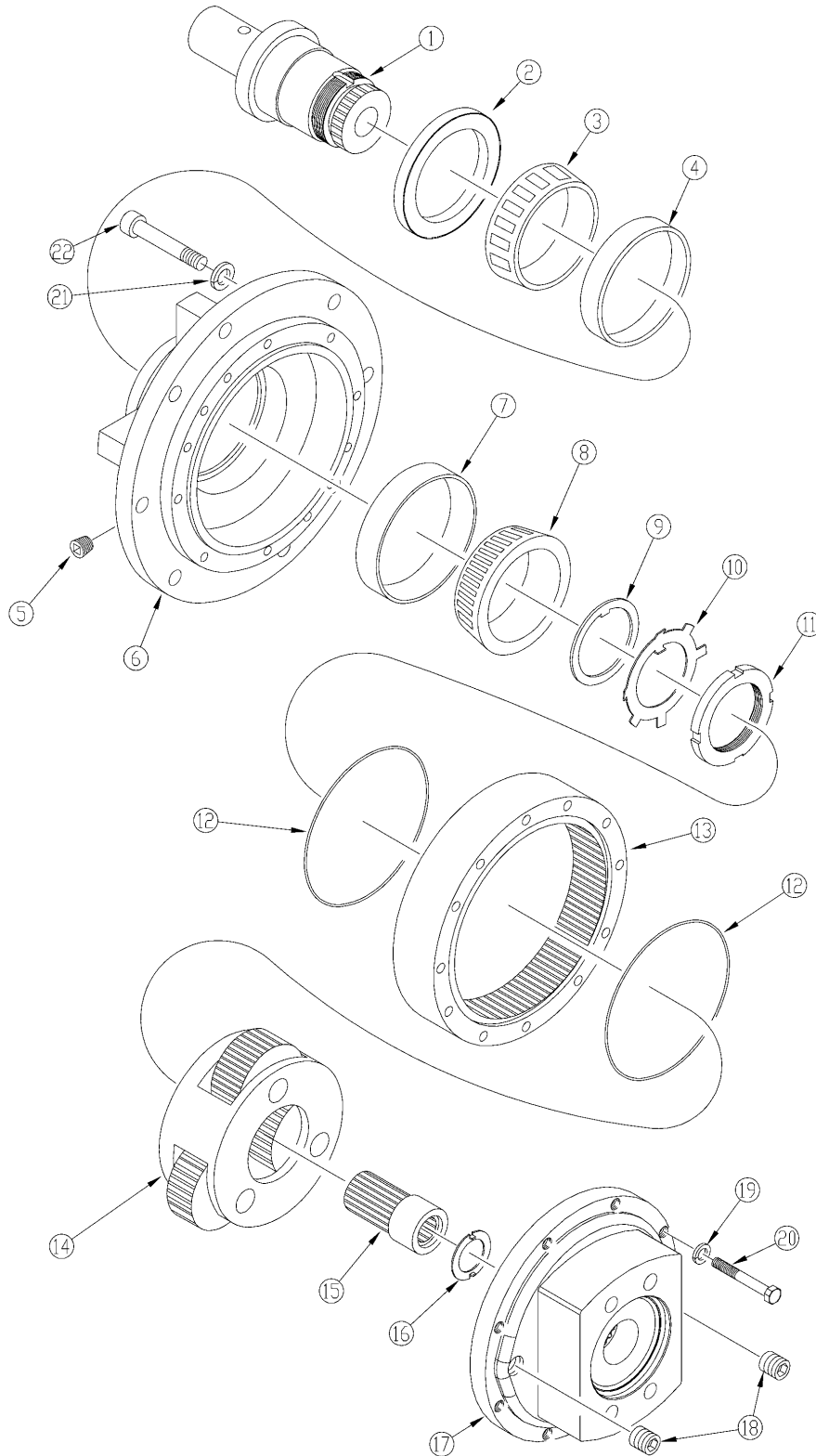
19240

Hitch**Applies to AP-SA35**

Ref	Part No.	Part Description	Comments	Revision
	Dwg 19240	Drawing Image Number		
1.	317-084H	HYDRAULIC AUGER HITCH WELDMENT		
2.	804-011C	WASHER FLAT 3/8 USS PLT		
3.	803-013C	NUT LOCK 3/8-16 PLT		
4.	807-023C	SPRING HOSE LOOP		
5.	805-058C	PIN COTTER 3/16 X 2		
6.	317-085H	HYD. AUGER CLEVIS WELDMENT		
7.	800-080C	GREASE ZERK 1/4-28 THD FORMING		
8.	805-311C	PIN CLEVIS 1 1/4 X 6 USABLE		
9.	802-017C	HHCS 3/8-16X1 GR5		

Gearbox (826-313C) (826-314C)

Applies to AP-SA35



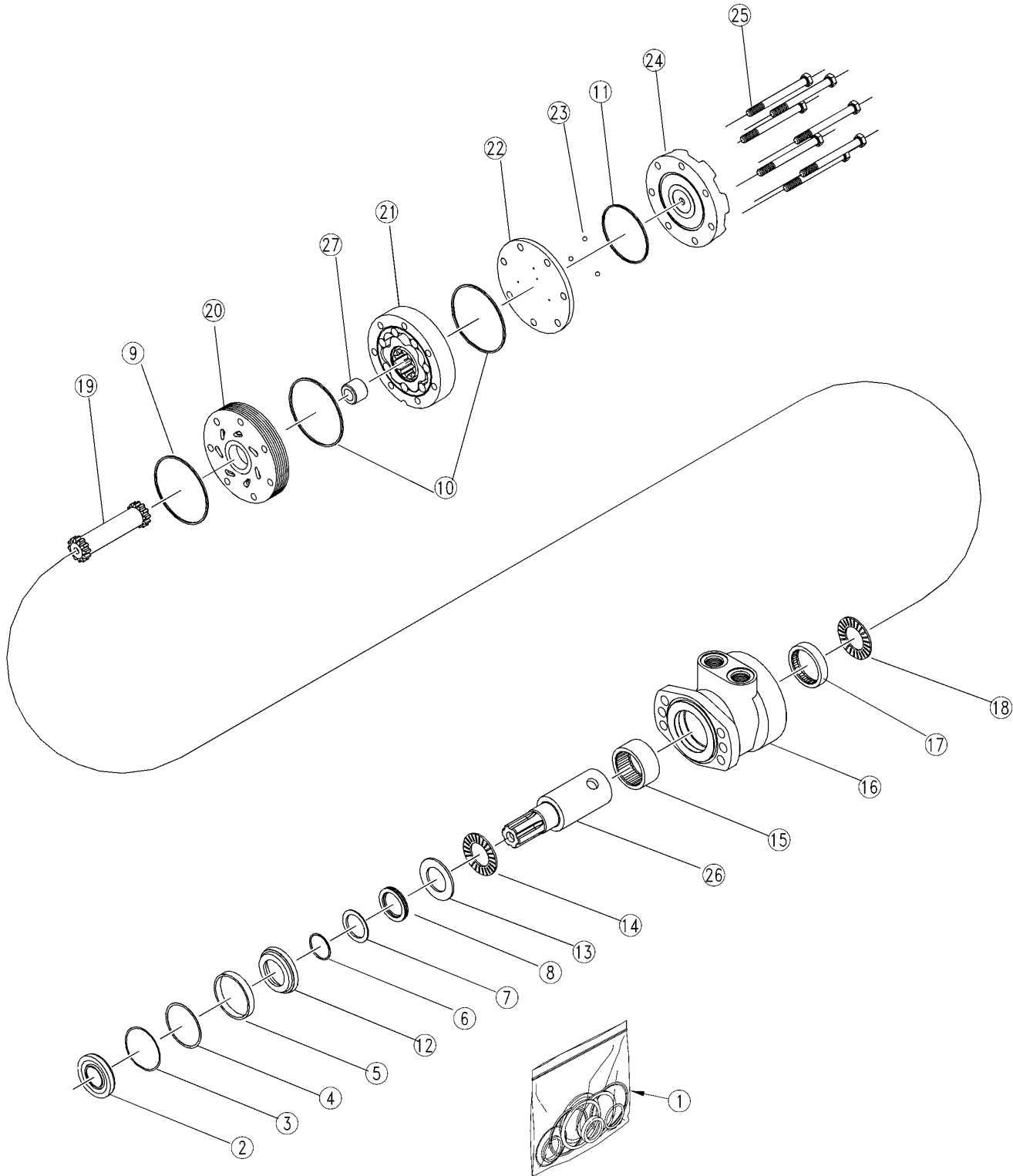
19242

Gearbox (826-313C) (826-314C)**Applies to AP-SA35**

Ref	Part No.	Part Description	Comments	Revision
	Dwg 19242	Drawing Image Number		
	826-313C	GBOX 3.75:1 14T PLNTRY 2 9/16	2 9/16" Dia. Round Shaft	
	826-314C	GBOX 3.75:1 14T PLNTRY 2 HEX *	2" Hex Shaft	
1.	040436	OMNI SHAFT - A2	(826-313C)	
1.	040429	OMNI SHAFT - H2	(826-314C)	
2.	060120	OMNI OIL SEAL (CR37053)		
3.	050209	OMNI BEARING CONE (JM714249A)		
4.	050208	OMNI BEARING CUP (JM714210)		
5.	140001	OMNI PIPE PLUG 1/8 SOCKET HD		
6.	010220	OMNI HOUSING H2 NO BRAKE HOLES		
7.	050206	OMNI BEARING CUP (32214)		
8.	050207	OMNI BEARING CONE (32214)		
9.	090259	OMNI SPACER FLAT TONGUED		
10.	130098	OMNI LOCK NUT WASHER, M70		
11.	120089	OMNI LOCK NUT M70X2		
12.	060119	OMNI O-RING		
13.	030447	OMNI GEAR RING 77T		
14.	180193	OMNI SECONDARY CARRIER SUB ASY		
15.	030568	OMNI GEAR SUN 28T		
16.	130120	OMNI RETAINING WASHER, SUN		
17.	020280	OMNI CAP INPUT		
18.	140062	OMNI PIPE PLUG, 3/8"-18NPT MAG		
19.	130058	OMNI LOCKWASHER, M8 SPLIT TYPE		
20.	110187	OMNI HEX BOLT, M8X1.25 GR10.9		
21.	130060	OMNI LOCK WASHER M10		
22.	110213	OMNI SOCKET HEAD BOLT M10X1.25		

Hydraulic Motor (810-531C) White

Applies to AP-SA35



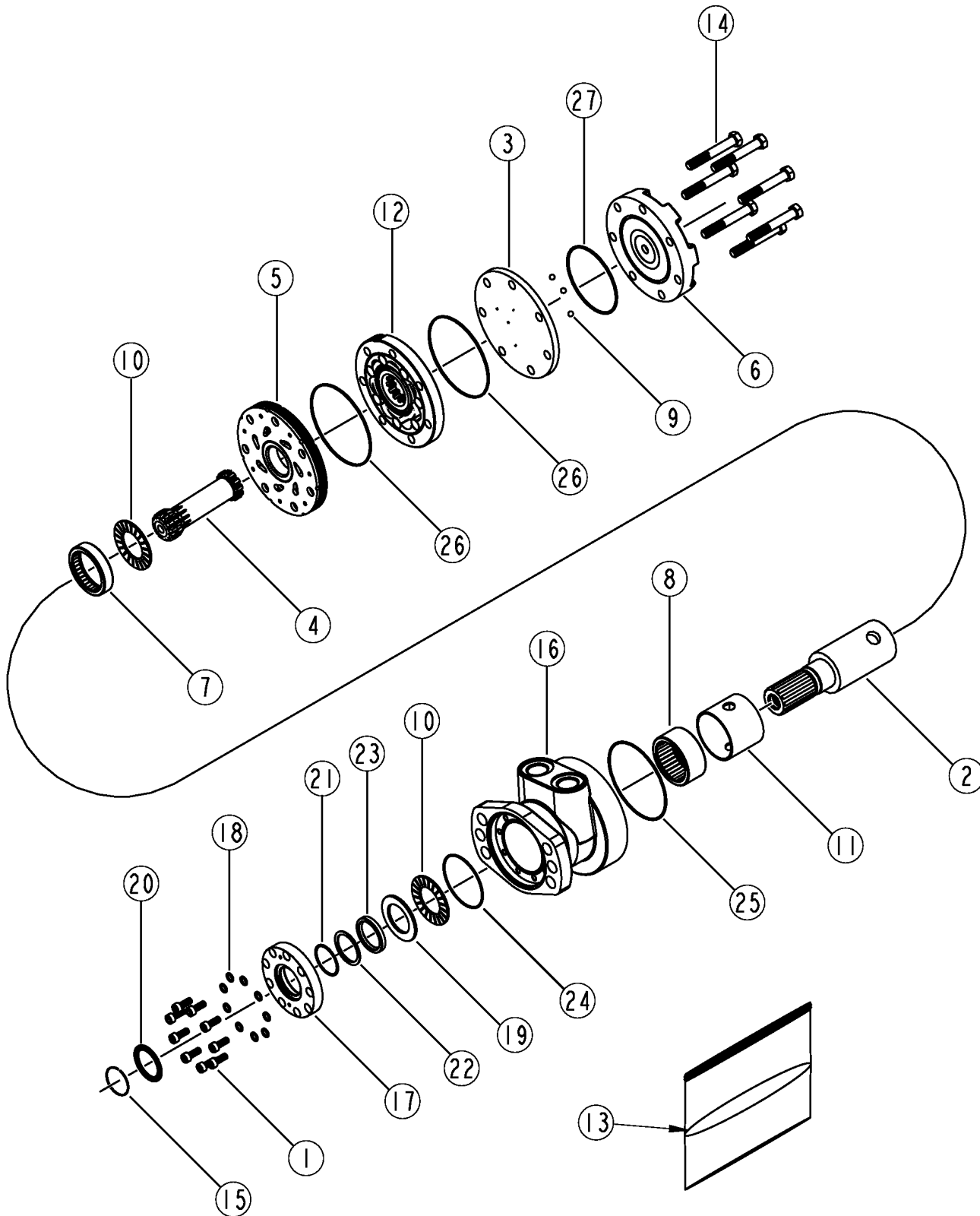
22409

Hydraulic Motor (810-531C) White**Applies to AP-SA35**

Ref	Part No.	Part Description	Comments	Revision
	Dwg 22409	Drawing Image Number		
1.	500444001	WH SEAL KIT	Includes items 2-13	
2.	N/A	DUST SEAL	Included with seal kit in item 1	
3.	N/A	RETAINING RING	Included with seal kit in item 1	
4.	N/A	METAL BACK UP SHIM	Included with seal kit in item 1	
5.	N/A	HOUSING SEAL	Included with seal kit in item 1	
6.	N/A	METAL BACK UP SHIM	Included with seal kit in item 1	
7.	N/A	BACK UP SEAL	Included with seal kit in item 1	
8.	N/A	HIGH PRESSURE SHAFT SEAL	Included with seal kit in item 1	
9.	N/A	REAR HOUSING SEAL	Included with seal kit in item 1	
10.	N/A	BODY SEALS (2)	Included with seal kit in item 1	
11.	N/A	ENDCOVER SEAL	Included with seal kit in item 1	
12.	N/A	SEAL CARRIER	Included with seal kit in item 1	
13.	N/A	THRUST WASHER	Included with seal kit in item 1	
14.	500018252	WH FRONT THRUST BEARING		
15.	500018003	WH FRONT HOUSING BEARING		
16.	500131823	WH "A31" HOUSING		
17.	500018002	WH REAR HOUSING BEARING		
18.	500018059	WH REAR THRUST BEARING		
19.	500014007	WH DRIVE LINK		
20.	500015006	WH FORWARD MANIFOLD		
21.	500247005	WH ROTOR SET		
22.	500012001	WH BALANCE PLATE		
23.	500018048	WH STEEL BALLS (3)		
24.	500016001	WH ENDCOVER		
25.	500445018	WH BOLTS (7)		
26.	500011600	WH SHAFT		
27.	N/A	WH SPACER	810-530C only	

Hydraulic Motor (850-252C) White

Applies to AP-SA35



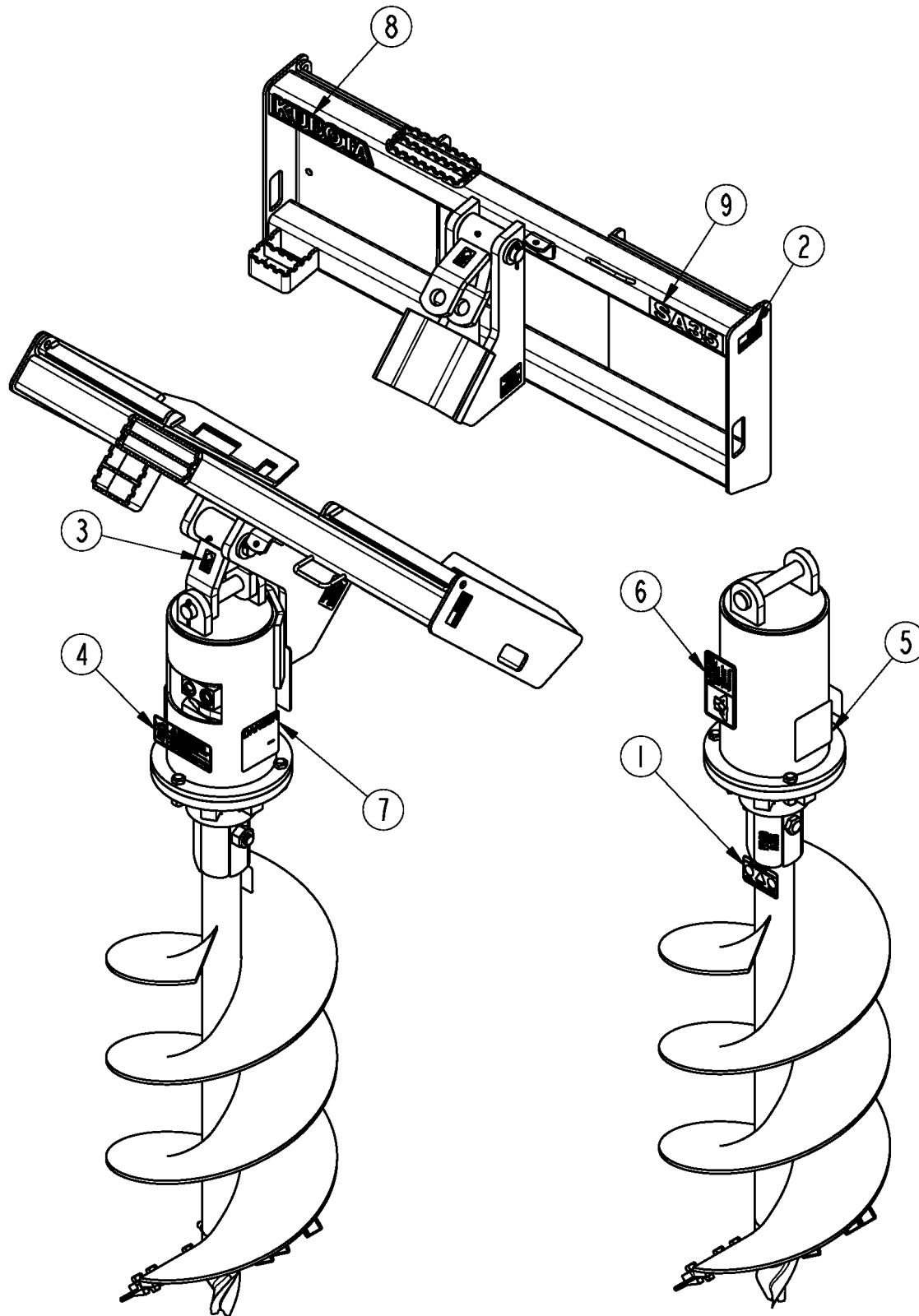
39919

Hydraulic Motor (850-252C) White**Applies to AP-SA35**

Ref	Part No.	Part Description	Comments	Revision
	Dwg 39919 850-252C	Image No. HYD MTR 18 CU IN DSP W/14T SPL *		
1.	157018110	WH SEAL CARRIER BOLT (9)		
2.	500011101	WH SHAFT		
3.	500012001	WH BALANCE PLATE		
4.	500014007	WH DRIVE LINK		
5.	500015006	WH FORWARD MANIFOLD		
6.	500016001	WH ENDCOVER		
7.	500018002	WH REAR HOUSING BRG		
8.	500018003	WH FRONT HOUSING BRG		
9.	500018048	WH STEEL BALLS (3)		
10.	500018059	WH REAR THRUST BRG		
11.	500018305	WH BEARING SPACER		
12.	500247005	WH ROTOR SET		
13.	500444506	WHITE SEAL KIT		
14.	500445018	WH BOLTS (7)		
15.	500449201	WH WIRE RING		
16.	505013614	WHITE HOUSING		
17.	505017001	WH SEAL CARRIER		
18.	530018100	WH SEAL CARRIER BOLT WASHER(9)		
19.	530018102	WHITE THRUST WASHER		
20.	N/A	WH DUST SEAL	Available only in Seal Kit Item #13	
21.	N/A	BACKUP SHIM	Available only in Seal Kit Item #13	
22.	N/A	BACKUP SEAL	Available only in Seal Kit Item #13	
23.	N/A	SHAFT SEAL	Available only in Seal Kit Item #13	
24.	N/A	SEAL CARRIER SEAL	Available only in Seal Kit Item #13	
25.	N/A	HOUSING SEAL	Available only in Seal Kit Item #13	
26.	N/A	BODY SEAL	Available only in Seal Kit Item #13	
27.	N/A	ENDCOVER SEAL	Available only in Seal Kit Item #13	

Decal Placement

Applies to AP-SA35



37687

Decal Placement

Applies to AP-SA35

Ref	Part No.	Part Description	Comments	Revision
	Dwg 37687	Drawing Image Number		
1.	135500	DECAL, DANGER AVOID INJURY		
2.	818-190C	DECAL FLAG		
3.	818-298C	DECAL GREASE EVERY 25 HOURS		
4.	838-094C	DECAL WARNING HYD PRESS LONG		
5.	838-292C	DECAL ELECTROCUTE HAZARD		
6.	838-293C	DECAL WARNING READ MANUAL		
7.	838-294C	DECAL DANGER ROTATING AUGER		
8.	858-398C	DECAL KUBOTA 10"		
9.	858-470C	DECAL SA35 WHITE		

Kubota Touch-up Paints

Applies to AP-SA35

No diagram associated with this Parts List

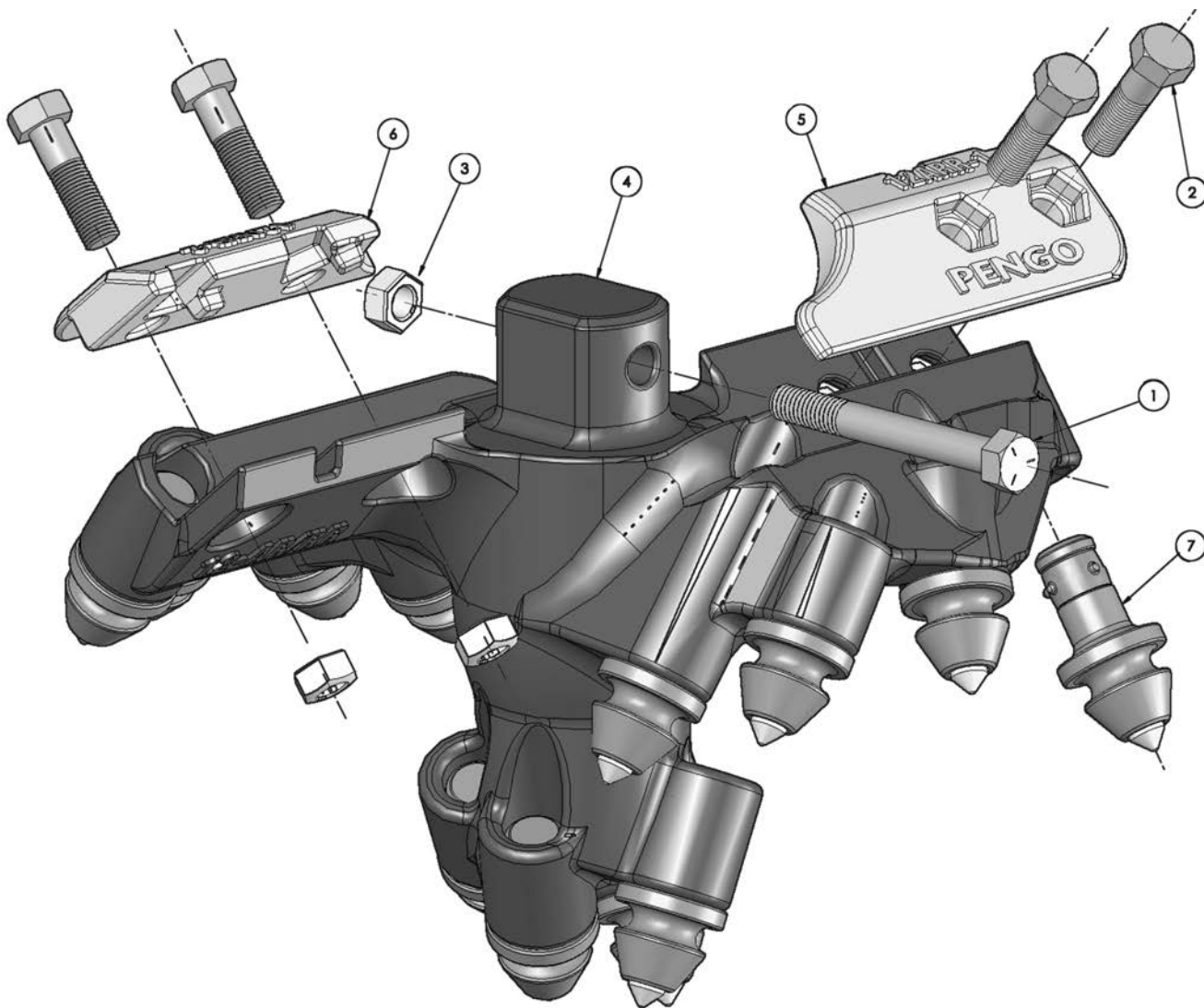
Kubota Touch-up Paints

Applies to AP-SA35

Ref	Part No.	Part Description	Comments	Revision
1.	821-070C	GLOSS BLACK SPRAY CAN	All Products	
2.	821-070CTU	GLOSS BLACK TOUCH-UP 5OZ		
3.	821-070CQT	GLOSS BLACK QUART		
4.	821-070CGL	GLOSS BLACK GALLON		

12" Bolt-On Rock Head (317-276A)

Applies to AP-SA35



70133

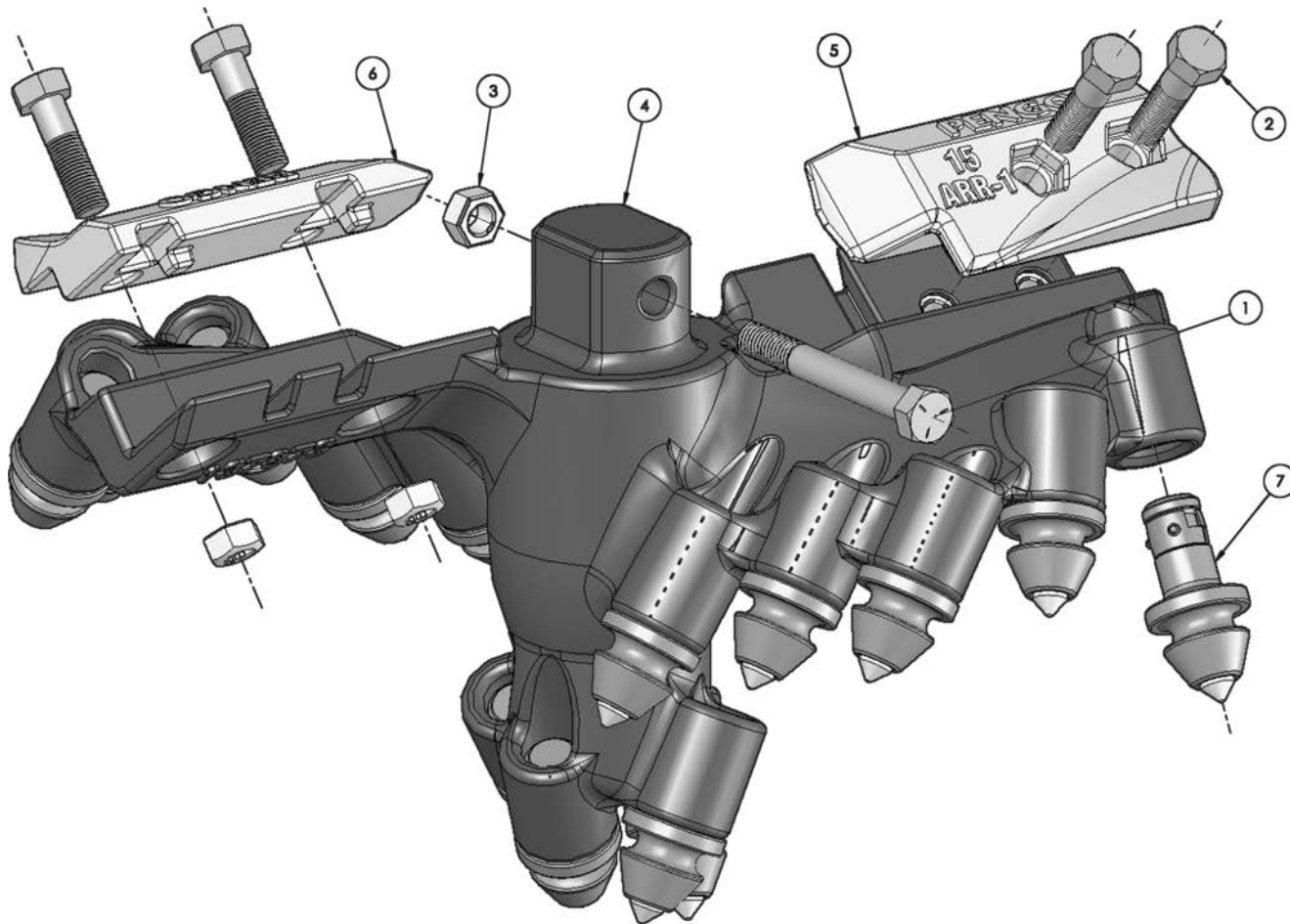
12" Bolt-On Rock Head (317-276A)

Applies to AP-SA35

Ref	Part No.	Part Description	Comments	Revision
	70133	Photo Shop Image Number		
	317-276A	SA 12 BOLT-ON ROCK HEAD ASSY *		
1.	802-044C	HHCS 1/2-13X4 GR5		
2.	802-082C	HHCS 1/2-13X1 3/4 GR5		
3.	803-019C	NUT LOCK 1/2-13 PLT		
4.	820-699C	PENGO CAST BORH, 12"-AR/RR		
5.	820-705C	PENGO WEAR CAP, 12" ARR-1		
6.	820-706C	PENGO WEAR CAP, 12" ARR-2		
7.	820-713C	PENGO ROCK AUGER TOOTH		

15" Bolt-On Rock Head (317-277A)

Applies to AP-SA35



70134

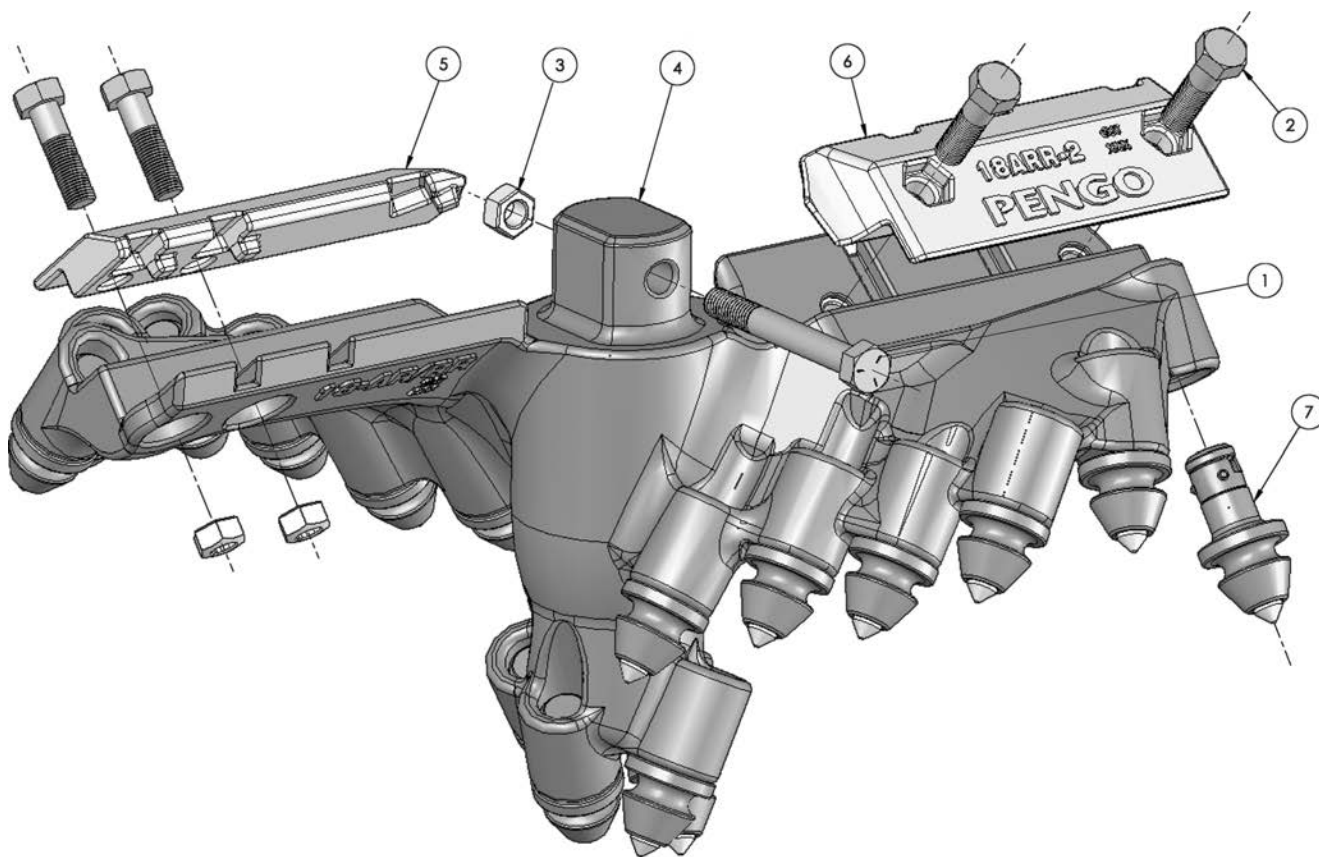
15" Bolt-On Rock Head (317-277A)

Applies to AP-SA35

Ref	Part No.	Part Description	Comments	Revision
	70134	Photo Shop Image Number		
	317-277A	SA 15 BOLT-ON ROCK HEAD ASSY *		
1.	802-044C	HHCS 1/2-13X4 GR5		
2.	802-082C	HHCS 1/2-13X1 3/4 GR5		
3.	803-019C	NUT LOCK 1/2-13 PLT		
4.	820-700C	PENGO CAST BORH, 15"-AR/RR		
5.	820-707C	PENGO WEAR CAP, 15" ARR-1		
6.	820-708C	PENGO WEAR CAP, 15" ARR-2		
7.	820-713C	PENGO ROCK AUGER TOOTH		

18" Bolt-On Rock Head (317-278A)

Applies to AP-SA35



70135

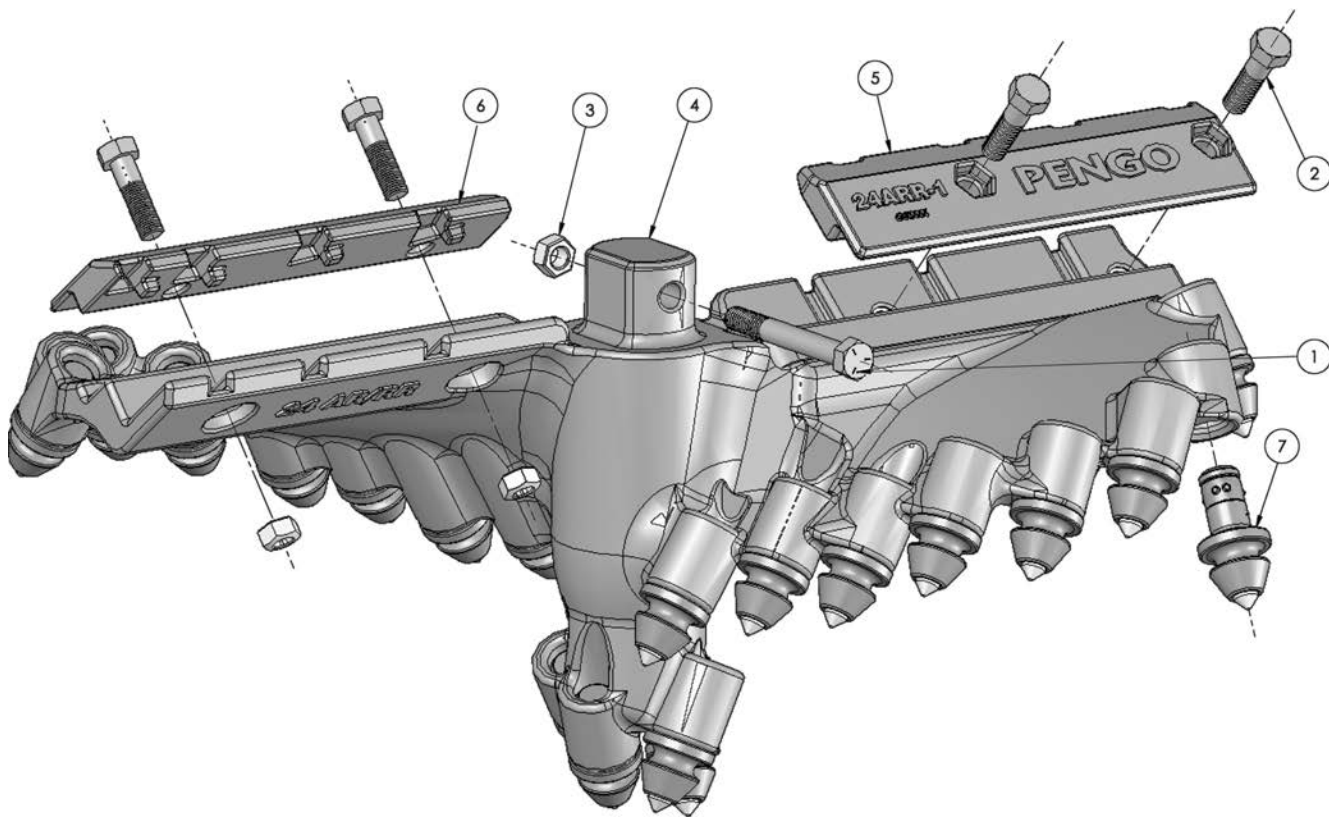
18" Bolt-On Rock Head (317-278A)

Applies to AP-SA35

Ref	Part No.	Part Description	Comments	Revision
	70135	Photo Shop Image Number		
	317-278A	SA 18 BOLT-ON ROCK HEAD ASSY *		
1.	802-044C	HHCS 1/2-13X4 GR5		
2.	802-082C	HHCS 1/2-13X1 3/4 GR5		
3.	803-019C	NUT LOCK 1/2-13 PLT		
4.	820-701C	PENGO CAST BORH, 18"-AR/RR		
5.	820-709C	PENGO WEAR CAP, 18" ARR-1		
6.	820-710C	PENGO WEAR CAP, 18" ARR-2		
7.	820-713C	PENGO ROCK AUGER TOOTH		

24" Bolt-On Rock Head (317-279A)

Applies to AP-SA35



70136

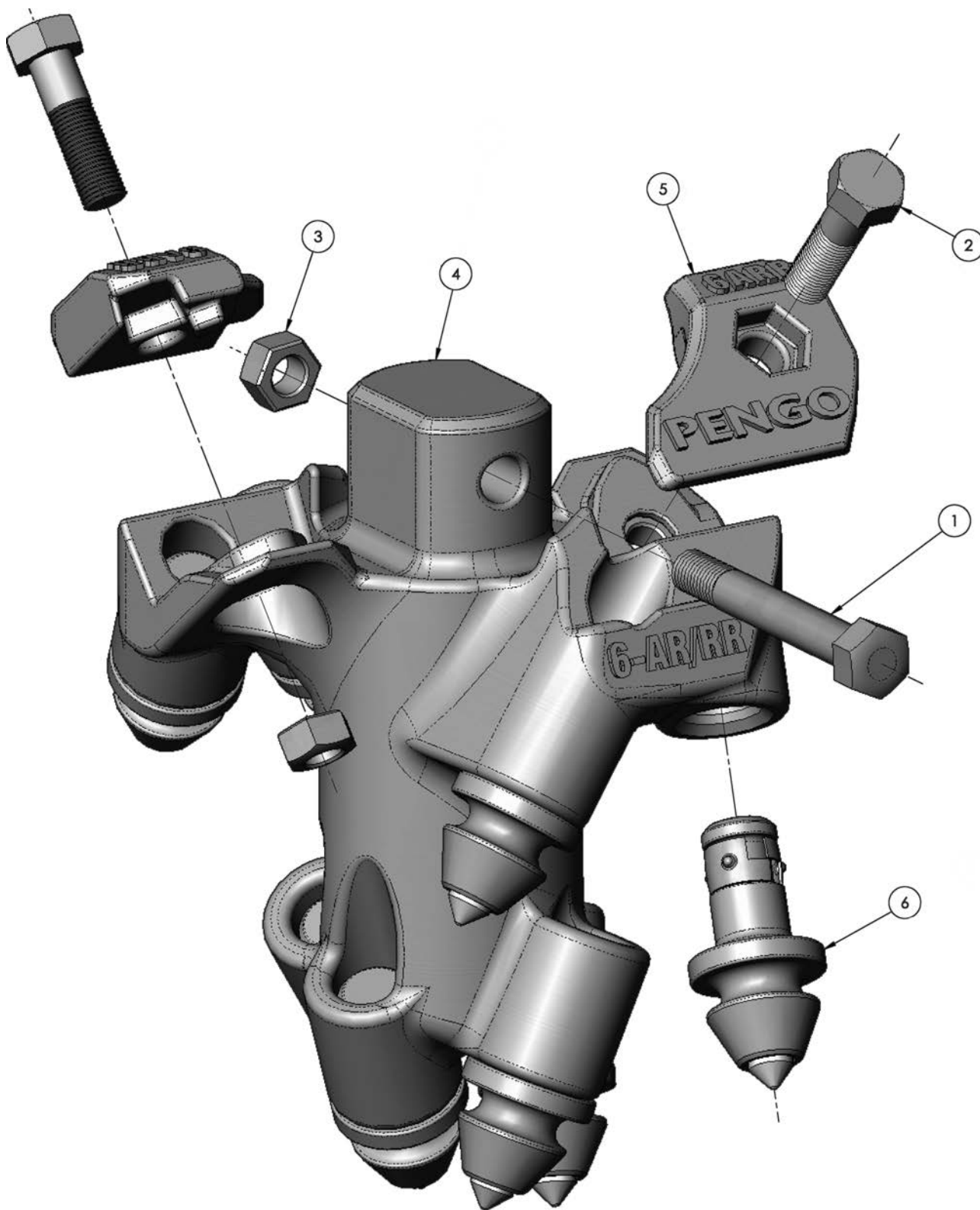
24" Bolt-On Rock Head (317-279A)

Applies to AP-SA35

Ref	Part No.	Part Description	Comments	Revision
	70136	Photo Shop Image Number		
	317-279A	SA 24 BOLT-ON ROCK HEAD ASSY *		
1.	802-044C	HHCS 1/2-13X4 GR5		
2.	802-082C	HHCS 1/2-13X1 3/4 GR5		
3.	803-019C	NUT LOCK 1/2-13 PLT		
4.	820-702C	PENGO CAST BORH, 24"-AR/RR		
5.	820-711C	PENGO WEAR CAP, 24" ARR-1		
6.	820-712C	PENGO WEAR CAP, 24" ARR-2		
7.	820-713C	PENGO ROCK AUGER TOOTH		

6" Bolt-On Rock Head (317-274A)

Applies to AP-SA35



70131

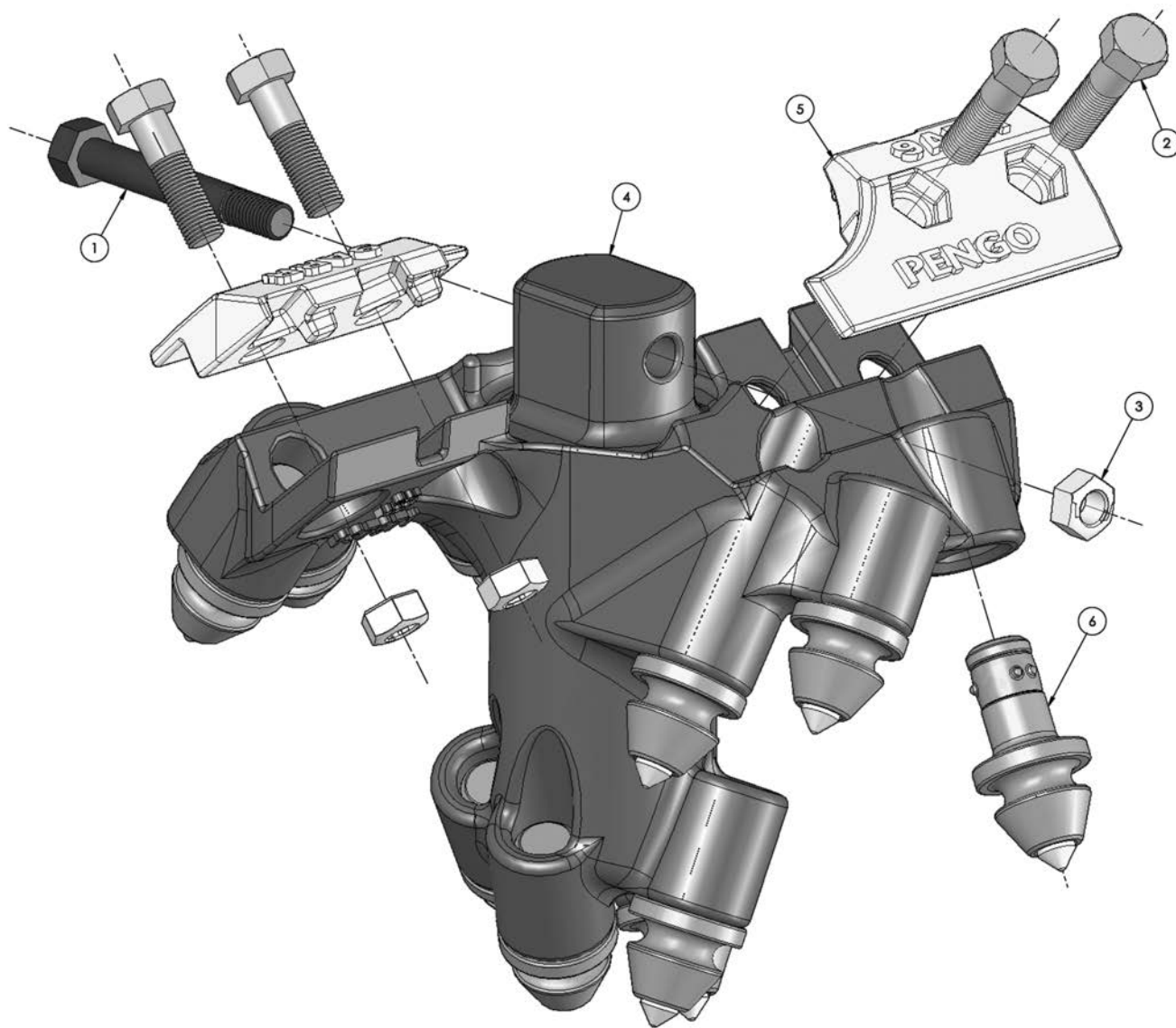
6" Bolt-On Rock Head (317-274A)

Applies to AP-SA35

Ref	Part No.	Part Description	Comments	Revision
	70131	Photo Shop Image Number		
	317-274A	SA 6 BOLT-ON ROCK HEAD ASSY *		
1.	802-041C	HHCS 1/2-13X3 1/2 GR5		
2.	802-082C	HHCS 1/2-13X1 3/4 GR5		
3.	803-019C	NUT LOCK 1/2-13 PLT		
4.	820-697C	PENGO CAST BORH, 6"-AR/RR		
5.	820-703C	PENGO WEAR CAP, 6" ARR		
6.	820-713C	PENGO ROCK AUGER TOOTH		

9" Bolt-On Rock Head (317-275A)

Applies to AP-SA35



70132

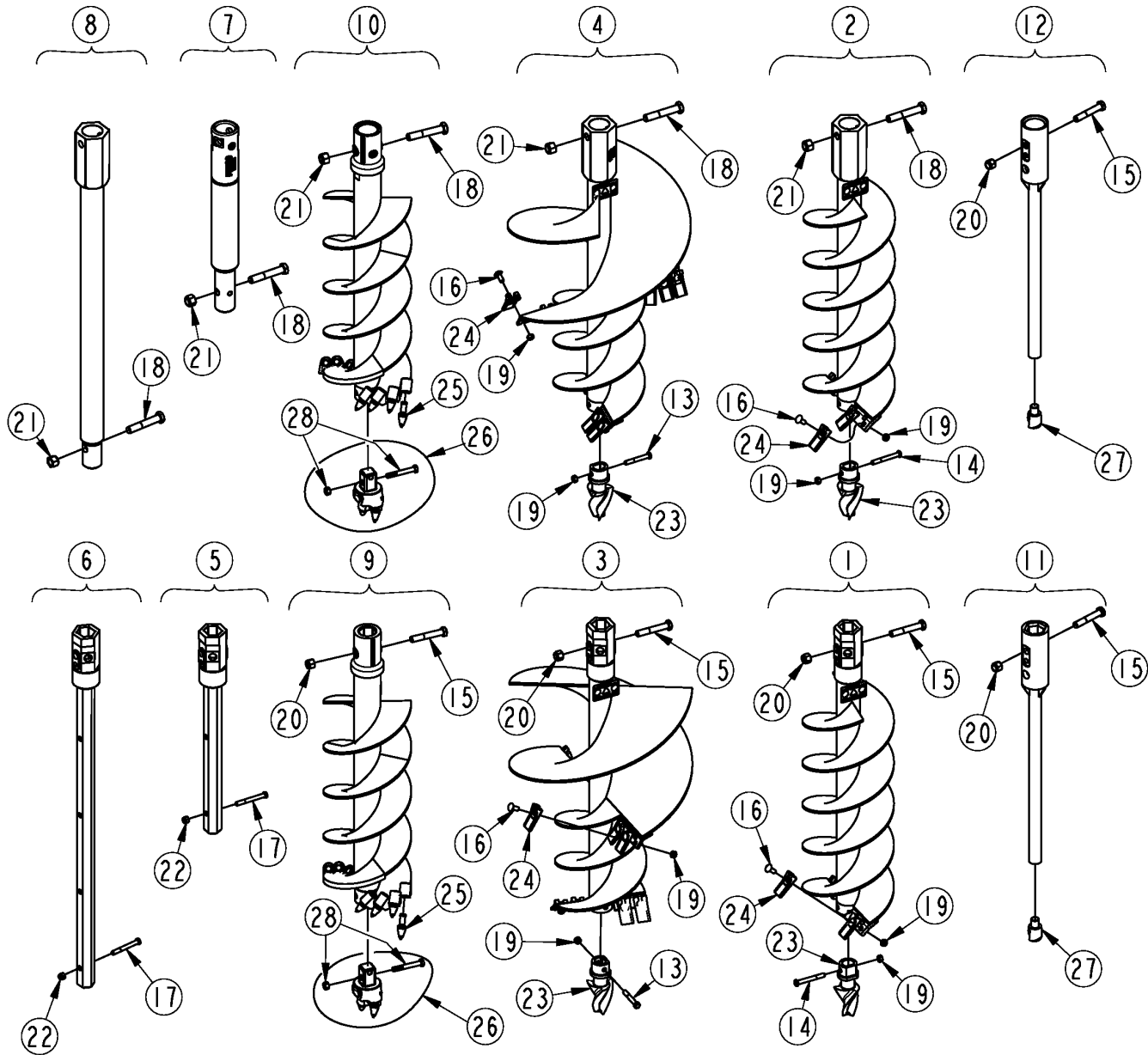
9" Bolt-On Rock Head (317-275A)

Applies to AP-SA35

Ref	Part No.	Part Description	Comments	Revision
	70132	Photo Shop Image Number		
	317-275A	SA 9 BOLT-ON ROCK HEAD ASSY *		
1.	802-041C	HHCS 1/2-13X3 1/2 GR5		
2.	802-082C	HHCS 1/2-13X1 3/4 GR5		
3.	803-019C	NUT LOCK 1/2-13 PLT		
4.	820-698C	PENGO CAST BORH, 9"-AR/RR		
5.	820-704C	PENGO WEAR CAP, 9" ARR		
6.	820-713C	PENGO ROCK AUGER TOOTH		

Augers & Extensions

Applies to AP-SA35



70239

Augers & Extensions**Applies to AP-SA35**

Ref	Part No.	Part Description	Comments	Revision
	Dwg 70239	Image No.		
1.	317-273A	SA 6X2 HEX HUB DBL AUGER ASY		
1.	317-095A	SA 9X2 HEX HUB DBL AUGER ASSY		
1.	317-098A	SA 12X2 HEX HUB DBL AUGER ASSY		
1.	317-101A	SA 15X2 HEX HUB DBL AUGER ASSY		
1.	317-104A	SA 18X2 HEX HUB DBL AUGER ASSY		
1.	317-107A	SA 24X2 HEX HUB DBL AUGER ASSY		
1.	317-113A	SA 30X2 HEX HUB DBL AUG ASSY		
1.	317-119A	SA 36X2 HEX HUB DBL AUGER ASSY		
2.	317-096A	SA 9X2 9/16 HUB DBL AUG. ASSY		
2.	317-099A	SA 12X2 9/16 HUB DBL AUG. ASSY		
2.	317-102A	SA 15X2 9/16 HUB DBL AUG. ASSY		
2.	317-105A	SA 18X2 9/16 HUB DBL AUG. ASSY		
2.	317-108A	SA 24X2 9/16 HUB DBL AUG. ASSY		
2.	317-114A	SA 30X2 9/16 HUB DBL AUG ASSY		
2.	317-120A	SA 36X2 9/16 HUB DBL AUG. ASSY		
3.	317-110A	SA 24X2 HEX HUB TREE AUG ASSY		
3.	317-116A	SA 30X2 HEX HUB TREE AUG ASSY		
3.	317-122A	SA 36X2 HEX HUB TREE AUG ASSY		
4.	317-111A	SA 24X2 9/16 HUB TREE AUG ASSY		
4.	317-117A	SA 30X2 9/16 HUB TREE AUG ASSY		
4.	317-123A	SA 36X2 9/16 HUB TREE AUG ASSY		
5.	317-129A	SA 24X2 HEX AUGER EXTEN. ASSY		
6.	317-131A	SA 48X2 HEX AUGER EXTEN. ASSY		
7.	317-133A	SA 24X2 9/16 OD AUGER EXT. ASY		
8.	317-135A	SA 48X2 9/16 OD AUGER EXT. ASY		
9.	317-280A	SA 6X2 HEX HUB ROCK AUGER ASY		
9.	317-263A	SA 9X2 HEX HUB ROCK AUGER ASY		
9.	317-264A	SA 12X2 HEX HUB ROCK AUGER ASY		
9.	317-265A	SA 15X2 HEX HUB ROCK AUGER ASY		
9.	317-266A	SA 18X2 HEX HUB ROCK AUGER ASY		
9.	317-267A	SA 24X2 HEX HUB ROCK AUGER ASY		
10.	317-281A	SA 6X2 9/16 HUB ROCK AUGER ASY		
10.	317-268A	SA 9X2 9/16 HUB ROCK AUGER ASY		
10.	317-269A	SA 12X2 9/16 HUB ROCK AUGR ASY		
10.	317-270A	SA 15X2 9/16 HUB ROCK AUGR ASY		
10.	317-271A	SA 18X2 9/16 HUB ROCK AUGR ASY		
10.	317-272A	SA 24X2 9/16 HUB ROCK AUGR ASY		
11.	317-318A	SA 2X2 HEX HUB PUFF AUGER ASY		
12.	317-319A	SA 2X2 9/16 HUB PUFF AUGER ASY		
13.	802-041C	HHCS 1/2-13X3 1/2 GR5		
14.	802-044C	HHCS 1/2-13X4 GR5		
15.	802-192C	HHCS 3/4-10X4 1/2 GR5		
16.	802-214C	RHSNB 1/2-13X1 1/4 GR5		
17.	802-311C	HHCS 1/2-13X4 1/4 GR5		
18.	802-546C	HHCS 7/8-9X5 GR5		
19.	803-019C	NUT LOCK 1/2-13 PLT		
20.	803-025C	NUT HEX 3/4-10 PLT NYLOCK		
21.	803-028C	NUT NY-LOK 7/8-9 PLT		
22.	803-147C	NUT HEX NYLOCK 1/2-13		
23.	820-232C	PENGO TRI-FLOW PILOT BIT		
24.	820-233C	PENGO AUGER TOOTH		
25.	820-695C	BELLTEC AUGER TOOTH		
26.	820-696C	BELLTEC BT500S PILOT BIT	Includes #23 & #25	
27.	820-728C	BELLTEC PUFF AUGER PILOT BIT		
28.	891-835C	BOLT KIT, BELLTEC PILOT BIT		



Part Number Index

The Part Number Index is a numeric index of all part numbers included in this manual. The index shows what page(s) the part is used on.

Part Number	Page	Part Number	Page	Part Number	Page
010220	13	317-281A	35	820-232C	35
020280	13	317-298H	7	820-233C	35
030447	13	317-318A	35	820-695C	35
030568	13	317-319A	35	820-696C	35
040429	13	500011101	17	820-697C	31
040436	13	500011600	15	820-698C	33
050206	13	500012001	15, 17	820-699C	23
050207	13	500014007	15, 17	820-700C	25
050208	13	500015006	15, 17	820-701C	27
050209	13	500016001	15, 17	820-702C	29
060119	13	500018002	15, 17	820-703C	31
060120	13	500018003	15, 17	820-704C	33
090259	13	500018048	15, 17	820-705C	23
110187	13	500018059	15, 17	820-706C	23
110213	13	500018252	15	820-707C	25
120089	13	500018305	17	820-708C	25
130058	13	500131823	15	820-709C	27
130060	13	500247005	15, 17	820-710C	27
130098	13	500444001	15	820-711C	29
130120	13	500444506	17	820-712C	29
135500	19	500445018	15, 17	820-713C	23, 25, 27, 29,
140001	13	500449201	17		31, 33
140062	13	505013614	17	820-728C	35
157018110	17	505017001	17	821-070C	21
180193	13	530018100	17	821-070CGL	21
317-084H	11	530018102	17	821-070CQT	21
317-085H	11	70131	31	821-070CTU	21
317-086H	9	70132	33	826-313C	7, 9, 13
317-095A	35	70133	23	826-314C	9, 13
317-096A	35	70134	25	838-094C	19
317-098A	35	70135	27	838-292C	19
317-099A	35	70136	29	838-293C	19
317-101A	35	800-080C	11	838-294C	19
317-102A	35	802-017C	11	850-252C	7, 9, 17
317-104A	35	802-041C	31, 33, 35	851-947C	7, 9
317-105A	35	802-044C	23, 25, 27, 29, 35	851-948C	7, 9
317-107A	35	802-053C	7	858-398C	19
317-108A	35	802-057C	9	858-470C	19
317-110A	35	802-082C	23, 25, 27, 29,		
317-111A	35		31, 33	890-620C	7
317-113A	35	802-091C	7, 9	891-835C	35
317-114A	35	802-192C	35	Dwg 19240	11
317-116A	35	802-214C	35	Dwg 19241	9
317-117A	35	802-311C	35	Dwg 19242	13
317-119A	35	802-546C	35	Dwg 22409	15
317-120A	35	803-013C	11	Dwg 37687	19
317-122A	35	803-019C	23, 25, 27, 29,		
317-123A	35		31, 33, 35	Dwg 39919	17
317-129A	35	803-021C	9	Dwg 70144	7
317-131A	35	803-025C	35	Dwg 70239	35
317-133A	35	803-028C	35	N/A	15, 17
317-135A	35	803-147C	35		
317-263A	35	804-011C	11		
317-264A	35	804-015C	7, 9		
317-265A	35	804-022C	7, 9		
317-266A	35	804-039C	7		
317-267A	35	805-058C	7, 9, 11		
317-268A	35	805-311C	11		
317-269A	35	805-312C	7, 9		
317-270A	35	807-023C	11		
317-271A	35	810-531C	9		
317-272A	35	811-091C	7, 9		
317-273A	35	811-205C	7, 9		
317-274A	31	811-744C	9		
317-275A	33	811-745C	9		
317-276A	23	811-778C	7, 9		
317-277A	25	811-779C	7, 9		
317-278A	27	816-836C	7, 9		
317-279A	29	818-190C	19		
317-280A	35	818-298C	19		

This Page Intentionally Left Blank



KUBOTA TRACTOR CORPORATION

1000 Kubota Drive, Grapevine, TX 76051

Telephone: (817) 756-1171

Western Division: 1175 S. Guild Ave., Lodi, CA 95240
Telephone: (209) 334-9910

Central Division: 14855 FAA Blvd., Fort Worth, TX 76155
Telephone: (817) 571-0900

Northern Division: 6300 at One Kubota Way, Groveport, OH 43125
Telephone: (614) 835-1100

Southeast Division: 1025 Northbrook Parkway, Suwanee, GA 30024
Telephone: (770) 995-8855

www.kubota.com
