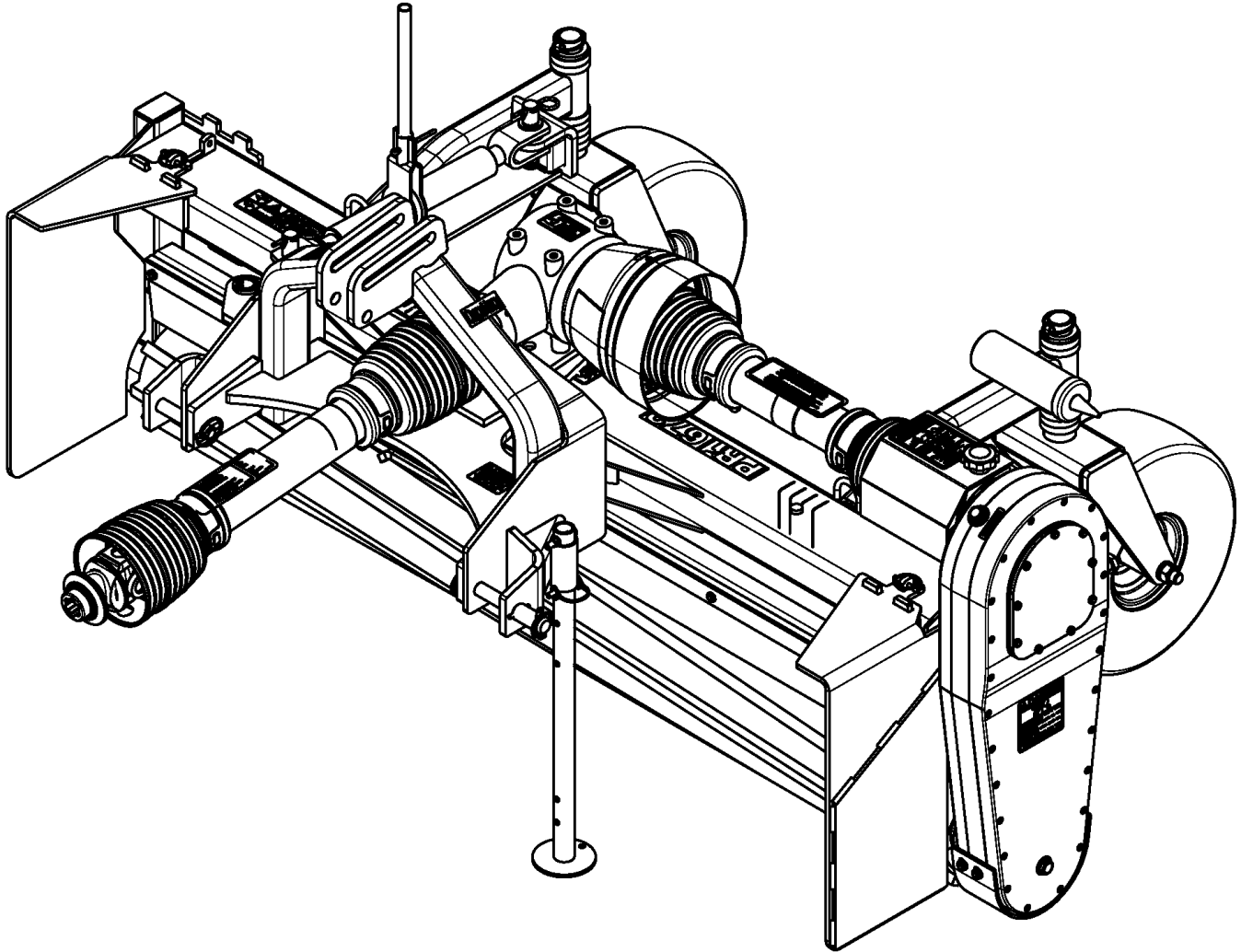


# Powered Rakes

PR1660, PR1672 & PR1690



21092

## 314-216P Parts Manual



Read the Operator's Manual entirely. When you see this symbol, the subsequent instructions and warnings are serious - follow without exception. Your life and the lives of others depend on it!

© Copyright 2018 Printed 07/10/18

Cover photo may show optional equipment not supplied with standard unit.





# Table of Contents

---

**Section 1: Introduction.....4**  
 Using This Manual.....4  
 Manual Replacement Information.....4  
 Manual Revisions.....4  
 Touch-up Paint.....4  
 Hardware Legend.....5  
 Replacement Hardware.....5  
 Serial Numbers.....5  
 Part Number Service Coding.....5

## PR16 SERIES

**Section 2: Frame.....6**  
 Frame and Hitch.....6  
 Material Control Blade and Roller.....8  
 Material Control Blade and Roller.....10  
**Section 3: Roller Drive.....12**  
 Chain Case.....12  
 Chain Case.....14  
 Roller Drive.....16  
**Section 4: Gauge Wheels.....18**  
 Gauge Wheels.....18  
 Gauge Wheels.....20  
 Gauge Wheels (S/N 474740-).....22  
 Gauge Wheels (S/N 474741+).....24  
**Section 5: Drivelines.....26**  
 Driveline (826-434C).....26  
 Driveline (826-435C).....28  
 Driveline (826-436C).....30  
 Driveline (826-437C).....32  
 EC Clutch Assembly (1385609).....34  
 EC Clutch Assembly (1385709).....36  
**Section 6: Gearboxes.....38**  
 Gearbox (826-067C).....38  
**Section 7: Angling Options.....40**  
 Angling Options.....40  
 Hydraulic Cylinder (810-005C).....42  
**Section 8: Decals.....44**  
 Decal Placement.....44  
 Land Pride Touch-up Paints.....46

**Part Number Index.....48**

© Copyright 2018. All rights reserved.

Land Pride provides this publication “as is” without warranty of any kind, either expressed or implied. While every precaution has been taken in the preparation of this manual, Land Pride assumes no responsibility for errors or omissions. Neither is any liability assumed for damages resulting from the use of the information contained herein. Land Pride reserves the right to revise and improve its products as it sees fit. This publication describes the state of this product at the time of its publication, and may not reflect the product in the future. The illustrations in this manual are not intended for safe and proper assembly or disassembly of equipment. The illustrations are intended for ordering parts only.

Land Pride is registered trademark.

All other brands and product names are trademarks or registered trademarks of their respective holders.

*Printed in the United States of America.*



# Alphabetized Table of Contents

---

## PR16 SERIES

<b>A</b>	
Angling Options.....	40
<b>C</b>	
Chain Case.....	12
Chain Case.....	14
<b>D</b>	
Decal Placement.....	44
Driveline (826-434C).....	26
Driveline (826-435C).....	28
Driveline (826-436C).....	30
Driveline (826-437C).....	32
<b>E</b>	
EC Clutch Assembly (1385609).....	34
EC Clutch Assembly (1385709).....	36
<b>F</b>	
Frame and Hitch.....	6
<b>G</b>	
Gauge Wheels.....	18
Gauge Wheels.....	20
Gauge Wheels (S/N 474740-).....	22
Gauge Wheels (S/N 474741+).....	24
Gearbox (826-067C).....	38
<b>H</b>	
Hydraulic Cylinder (810-005C).....	42
<b>L</b>	
Land Pride Touch-up Paints.....	46
<b>M</b>	
Material Control Blade and Roller.....	8
Material Control Blade and Roller.....	10
<b>R</b>	
Roller Drive.....	16

# General Information

## Using This Manual

This manual is divided into sections. The first section contains General Information. The remaining sections divide the machine into segments (i.e. Frames, Drives, Hydraulics, etc.) which illustrate and list all parts. A Parts Number Index is located at the back of the book.

The Land Pride parts in this manual are specially designed for this machine and should be replaced with Land Pride parts only.

The information in this manual is current at time of printing. Some parts may change to assure top performance.

Right-hand and left-hand as used in this manual are determined by facing the direction the machine will travel while in use.

Below is an example of two facing pages from a parts manual. Familiarize yourself with the type of information contained on these pages.

## Manual Replacement Information

Replacement manuals are available. Refer to our website at [www.landpride.com](http://www.landpride.com) or e-mail us at [lit@landpride.com](mailto:lit@landpride.com) for additional information. Our website continues to provide the most up-to-date manuals available.

## Touch-up Paint

Repaint parts where paint is worn or scratched to prevent rust. Aerosol cans and touch-up bottles with brush applicator are available through your local dealer. Also available are quart and gallon size paints. Add QT or GL to end of the Aerosol P/N.

Land Pride color descriptions and part numbers are listed on the "Land Pride Touch-up Paints" page in the "Decals" section of this book. Color options vary by product.



## General Information

### Hardware Legend

<b>AR</b>	As Required
<b>BLADE</b>	Blade Bolt
<b>C</b>	Cap Screw
<b>CP</b>	Cotter Pin
<b>CPHSSS</b>	Cup Point Hex Socket Set Screw
<b>CPSHSS</b>	Cup Point Square Head Set Screw
<b>CPSQHSS</b>	Cup Point Square Head Set Screw
<b>CRFCHMS3</b>	Cross Recess Flat Countersunk Head Machine Screw
<b>CRPHMS</b>	Cross Recess Pan Head Machine Screw
<b>CRPHTF</b>	Cross Recess Pan Head Thread Forming
<b>CRRHMS</b>	Cross Recess Round Head Machine Screw
<b>CRTHMS</b>	Cross Recess Truss Head Machine Screw
<b>CSNB</b>	Countersunk Square Neck Bolt
<b>FHMS</b>	Flat Head Machine Screw
<b>FTC</b>	Full Thread Cap Screw
<b>H</b>	Hex Nut
<b>HCLN</b>	Hex Center Lock Nut
<b>HFLCS</b>	Hex Flange Lock Cap Screw
<b>HFS</b>	Hex Flange Screw
<b>HFSLN</b>	Hex Flange Serrated Lock Nut
<b>HFSS</b>	Hex Flange Serrated Screw
<b>HHCS</b>	Hex Head Cap Screw or Metric Bolt
<b>HSBHCS</b>	Hex Socket Button Head Cap Screw
<b>HSFCHCS</b>	Hex Socket Flat Countersunk Head Cap Screw
<b>HSHCS</b>	Hex Socket Head Cap Screw
<b>HSSS</b>	Hex Socket Head Screw
<b>HTLN</b>	Hex Top Lock Nut
<b>HWHCS</b>	Hex Washer Head Cap Screw

<b>HWHMS</b>	Hex Washer Head Machine Screw
<b>HXBHCS</b>	Hex Socket Button Head Cap Screw
<b>J</b>	Hex Jam Nut
<b>JIC</b>	37 Degree Tapered Thread
<b>L</b>	Helical Spring Lock Washer
<b>LUG</b>	Lug Bolt
<b>NFC</b>	National Fine Cap Screw
<b>NPSM</b>	National Pipe Straight Mechanical
<b>NPTF</b>	National Pipe Taper Fuel
<b>P</b>	Wide Plain Washer
<b>PHMS</b>	Pan Head Machine Screw
<b>PLOW</b>	Plow Bolt
<b>RHMS</b>	Round Head Machine Screw
<b>RHSNB</b>	Round Head Square Neck Bolt
<b>SCREW LEVELING</b>	Leveling Screw
<b>SCREW THUMB</b>	Thumb Screw
<b>SCREW WELD</b>	Weld Screw
<b>SFCHMS</b>	Slotted Flat Countersunk Head Machine Screw
<b>SFHMS</b>	Slotted Fillister Head Machine Screw
<b>SP</b>	Special
<b>SP SCREW</b>	Special Screw
<b>SOHSS</b>	Square Head Set Screw
<b>SRHMS</b>	Slotted Round Head Machine Screw
<b>SSS</b>	Socket Set Screw
<b>STCS</b>	Self Tapping Cap Screw
<b>STHMS</b>	Slotted Truss Head Machine Screw
<b>WHEEL</b>	Wheel Studs and Hub Long Bolts
<b>WING</b>	Wing Bolt

### Replacement Hardware

The **Hardware Legend** above lists hardware abbreviations used in the parts list. All bolts and nuts are Grade 5 unless otherwise noted. The use of improper grades of hardware can result in personal injury, damage to equipment, or loss of property.

### Colored Replacement Parts

Land Pride offers replacement parts in factory standard colors and also on select models in Green, Orange, Red and Blue. Because of the variety of colors available, special attention must be given to the part number to prevent ordering the wrong replacement part.

A suffix number corresponding to one of the colors below must be added at the end of Land Pride's part number when ordering a replacement part with that color.

**81 . . . . . Green      83 . . . . . Red**  
**82 . . . . . Orange    84 . . . . . Blue**

For example, if you are ordering a replacement part with part number 555-555C and the part you need is red, then add the suffix 83 to the end of the number to make the part number read 555-555C83. Parts ordered without a suffix number will be supplied in factory standard colors.

### Black Replacement Parts

Some parts are factory standard black and some must be special ordered black. If your part is special ordered black, a second part number with the additional suffix number 85 on the end will be available. In this situation you must order that part with the suffix number for it to be black. Parts that are factory standard black will not have the suffix number.

### Part Number Service Coding

Within the parts list some part numbers are coded for revisions and interchangeability. See notations in revision column.

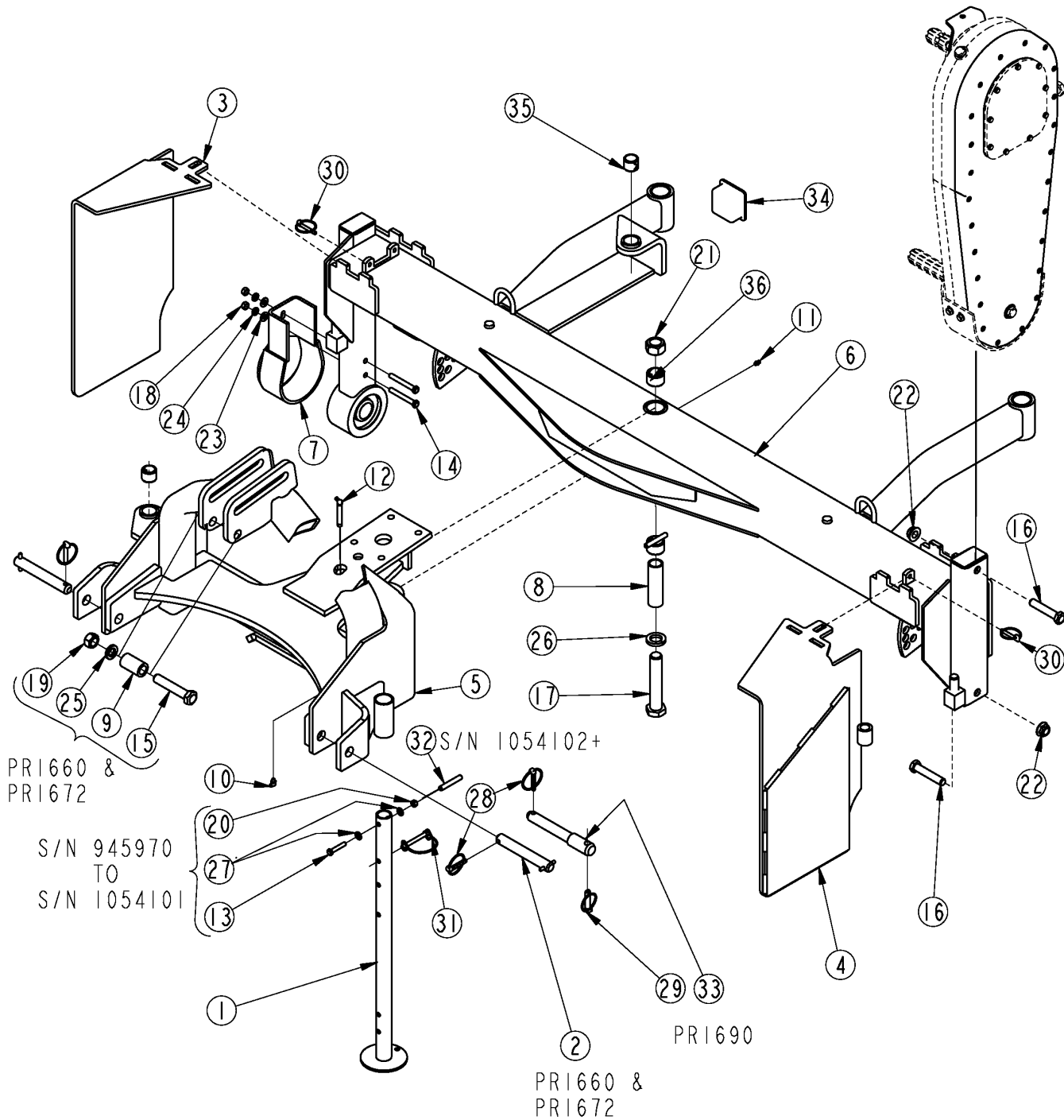
### Serial Numbers

Always use the serial and model number when ordering parts. Refer to the Operator's Manual for serial number plate location.

- (S/N 20001+)                      Includes serial numbers 20001 and above (to the latest number)
- (S/N 10001 to 20000)           Includes serial numbers between and including 10001 and 20000
- (S/N 10000-)                      Includes serial numbers 10000 and below (to the earliest number)

### Frame and Hitch

Applies to PR1660, PR1672, PR1690



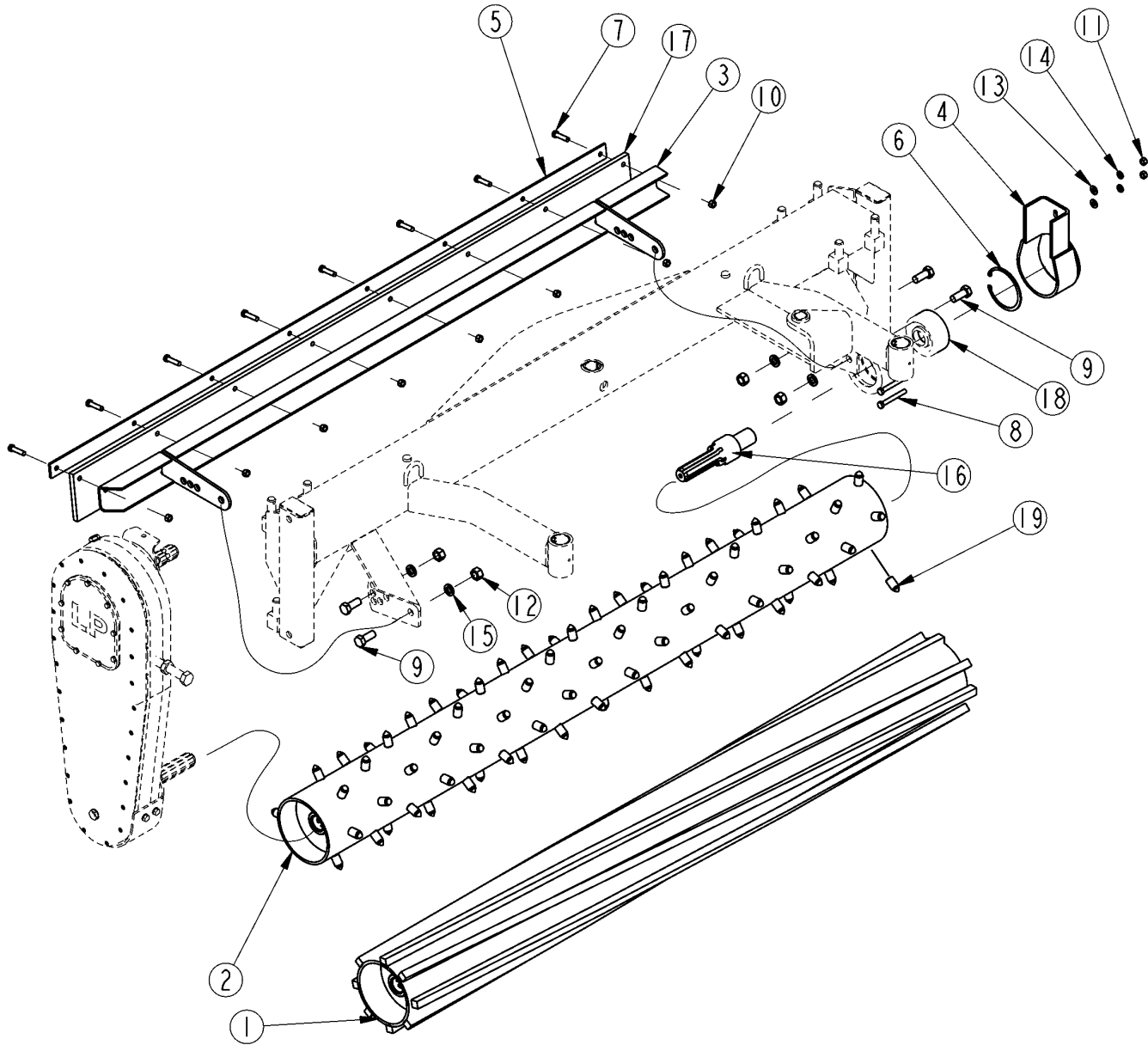
21278

**Frame and Hitch****Applies to PR1660, PR1672, PR1690**

Ref	Part No.	Part Description	Comments	Revision
	Dwg 21278	Drawing Image Number		
1.	300-171H	SUPPORT STAND LR & RB35/25/15		
1.	300-171H82	SPRT STND LR&RB15/25/35 ORANGE		
2.	308-110S	LOWER HITCH PIN ASS'Y	(PR1660 S/N 999036+)(PR1672 S/N 988569+)	
2.	303-017S	LOWER HITCH PIN 7/8 X 5 5/8	(PR1660 S/N 999035-)(PR1672 S/N 988568-)	
3.	314-256H	WMT, SIDE PLT RH	S/N 830522+	
3.	314-193H	SIDE PLATE WELDMENT RH	S/N 832521-	
4.	314-257H	WMT, SIDE PLT LH	S/N 830522+	
4.	314-194H	SIDE PLATE WELDMENT LH	S/N 832521-	
5.	314-236H	3 PT HITCH WELDMENT W/FLOAT	S/N 474741+	
5.	314-236H82	3 PNT HITCH WLD W/FLOAT ORANGE		
5.	314-215H	RPBY 314-236H	S/N 474740-	
6.	314-223H	FRAME WELDMENT 60		
6.	314-223H82	FRAME WELDMENT 60 ORANGE		
6.	314-238H	FRAME WELDMENT 72"	S/N 474741+	
6.	314-238H82	FRAME WELDMENT 72 ORANGE		
6.	314-208H	RPBY 314-238H	S/N 474740-	
6.	314-241H	FRAME WELDMENT 90"		
6.	314-241H82	FRAME WELDMENT 90 ORANGE		
7.	321-014H	SKID SHOE		
8.	321-069D	TUBE RND DOM. 1.25ODX11GWX4.13		
9.	322-009D	SPACER 1 1/4ODX7/32WLX2.12LG	(PR1660 S/N 999036+)(PR1672 S/N 988569+)	
10.	800-058C	GREASE ZERK 1/4-28 X 45-DEG		
11.	800-080C	GREASE ZERK 1/4-28 THD FORMING		
12.	800-494C	GREASE ZERK 1/8PTF 65-DEG LONG	S/N 1066910+	
12.	800-073C	GREASE ZERK 1/4-28 X 90-DEG	S/N 1066909-	
13.	802-013C	HHCS 5/16-18X1 3/4 GR5	S/N 945970 to S/N 1054101	
14.	802-024C	HHCS 3/8-16X3 GR5		
15.	802-068C	HHCS 3/4-10X4 GR5	(PR1660 S/N 999036+)(PR1672 S/N 988569+)	
16.	802-160C	HHCS 5/8-11X3 1/4 GR5		
17.	802-205C	HHCS 1-8X5 1/2 GR5		
18.	803-014C	NUT HEX 3/8-16 PLT		
19.	803-027C	NUT HEX 3/4-10 PLT	(PR1660 S/N 999036+)(PR1672 S/N 988569+)	
20.	803-084C	NUT HEX NYLOCK 5/16-18 PLT	S/N 945970 to S/N 1054101	
21.	803-168C	NUT HEX TOP LOCK 1-8 PLT	S/N 913266+	
22.	803-263C	NUT HEX FLANGE LOCK 5/8-11 PLT		
23.	804-012C	WASHER FLAT 3/8 SAE PLT		
24.	804-013C	WASHER LOCK SPRING 3/8 PLT		
25.	804-023C	WASHER LOCK SPRING 3/4 PLT	(PR1660 S/N 999036+)(PR1672 S/N 988569+)	
26.	804-027C	WASHER LOCK SPRING 1 PLT		
27.	804-036C	WASHER FLAT 5/16 SAE PLT	S/N 945970 to S/N 1054101	
28.	805-015C	PIN LINCH 5/16 X 1 3/4		
29.	805-103C	PIN LINCH 7/16 X 1 3/4	PR1690	
30.	805-126C	PIN LINCH 1/4 X 1 3/4 PLT		
31.	805-155C	PIN WIRE RETAIN 5/16 X 2 1/2		
32.	805-255C	PIN ROLL 3/8 X 2 1/2 PLT	(S/N 945969-) & (S/N 1054102+)	
33.	805-383C	PIN LOWER HITCH CAT1 AND 2	PR1690	
34.	817-422C	PLASTIC CAP FOR 3SQ.X1/4WALL	PR1690	
35.	890-005C	BUSHING CYL 1 1/4 X 1 X 1		
36.	890-011C	BUSHING SPINDLE 1 1/2X1 1/4X1		

### Material Control Blade and Roller

Applies to PR1660, PR1672



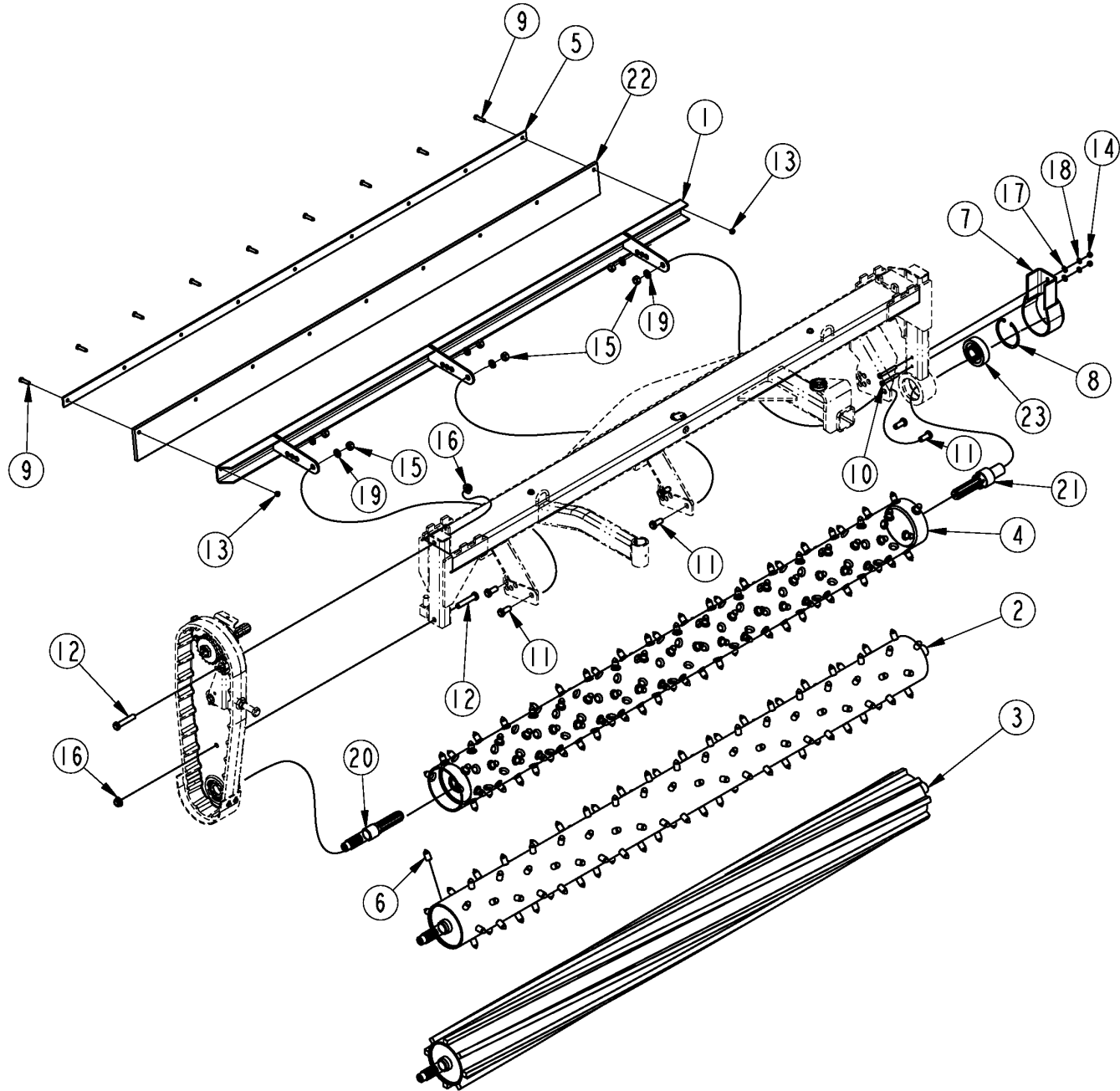


**Material Control Blade and Roller****Applies to PR1660, PR1672**

Ref	Part No.	Part Description	Comments	Revision
	Dwg 21279	Drawing Image Number		
1.	314-095H	ROLLER WELDMENT PR2572		
1.	314-172H	BAR ROLLER WELDMENT PR1560		
2.	314-202H	SPIKE ROLLER WELD 72		
2.	314-198H	SPIKE ROLLER WELD 60		
3.	314-233H	MATERIAL CONTROL WELDMNT	PR1672	
3.	314-231H	MATERIAL CONTROL WELDMNT	PR1660	
4.	321-014H	SKID SHOE		
5.	321-074D	MATERIAL CONTROL CLAMP	PR1672	
5.	314-301D	MATERIAL CONTROL CLAMP	PR1660	
6.	800-309C	SNAP RING INT 4.107 OD .120W		
7.	802-022C	HHCS 3/8-16X1 1/2 GR5		
8.	802-024C	HHCS 3/8-16X3 GR5		
9.	802-051C	HHCS 5/8-11X1 1/2 GR5		
10.	803-013C	NUT LOCK 3/8-16 PLT		
11.	803-014C	NUT HEX 3/8-16 PLT		
12.	803-024C	NUT LOCK 5/8-11 PLT		
13.	804-012C	WASHER FLAT 3/8 SAE PLT		
14.	804-013C	WASHER LOCK SPRING 3/8 PLT		
15.	804-022C	WASHER LOCK SPRING 5/8 PLT		
16.	815-122C	LOWER NONDRIVE SPINDLE		
17.	817-395C	MATERIAL CONTROL BLADE	PR1672	
17.	817-547C	MATERIAL CONTROL BLADE	PR1660	
18.	822-182C	BRG SPHERE 1 1/2 ID W/CAST		
19.	890-767C	3/4 X 1 1/2 CARBIDE TIP STUD	Welding Required For Replacement	

### Material Control Blade and Roller

Applies to PR1690



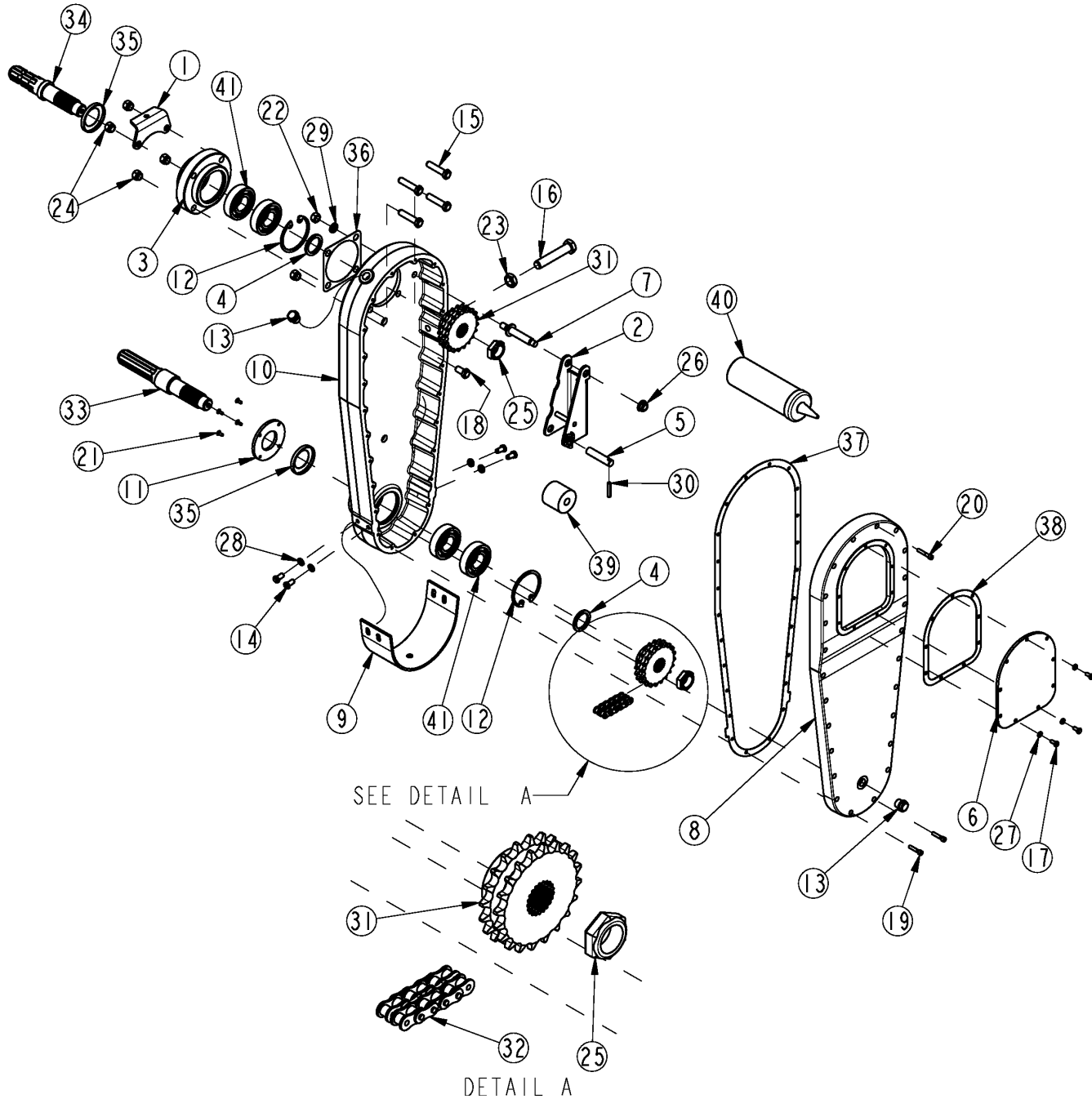
23988

**Material Control Blade and Roller****Applies to PR1690**

Ref	Part No.	Part Description	Comments	Revision
	Dwg 23988	Drawing Image Number		
1.	314-243H	MATERIAL CONTROL WLDMNT 90		
2.	314-244H	STUD ROLLER WLDMT 90"	S/N 1161834-	
3.	314-245H	BAR ROLLER WLDMT 90"	Obsolete	
4.	314-259H	PR STUD ROLLER WLDMT 90"	S/N 1161835+	
5.	314-315D	MATERIAL CONTROL CLAMP 90"		
6.	314-321D	3/4X1 1/2 CRBD TIP STUD W/FLX	S/N 1161835+	
6.	890-767C	3/4 X 1 1/2 CARBIDE TIP STUD	S/N 1161834-	
7.	321-014H	SKID SHOE		
8.	800-309C	SNAP RING INT 4.107 OD .120W		
9.	802-022C	HHCS 3/8-16X1 1/2 GR5		
10.	802-024C	HHCS 3/8-16X3 GR5		
11.	802-051C	HHCS 5/8-11X1 1/2 GR5		
12.	802-160C	HHCS 5/8-11X3 1/4 GR5		
13.	803-013C	NUT LOCK 3/8-16 PLT		
14.	803-014C	NUT HEX 3/8-16 PLT		
15.	803-024C	NUT LOCK 5/8-11 PLT		
16.	803-263C	NUT HEX FLANGE LOCK 5/8-11 PLT		
17.	804-012C	WASHER FLAT 3/8 SAE PLT		
18.	804-013C	WASHER LOCK SPRING 3/8 PLT		
19.	804-022C	WASHER LOCK SPRING 5/8 PLT		
20.	815-115C	DRIVE SPINDLE PR1572	S/N 1161835+	
21.	815-122C	LOWER NONDRIVE SPINDLE PR1572	S/N 1161835+	
22.	817-652C	FLEX MATERIAL CONTROL 90"		
23.	822-182C	BRG SPHERE 1 1/2 ID W/CAST		

# Chain Case

Applies to PR1660, PR1672



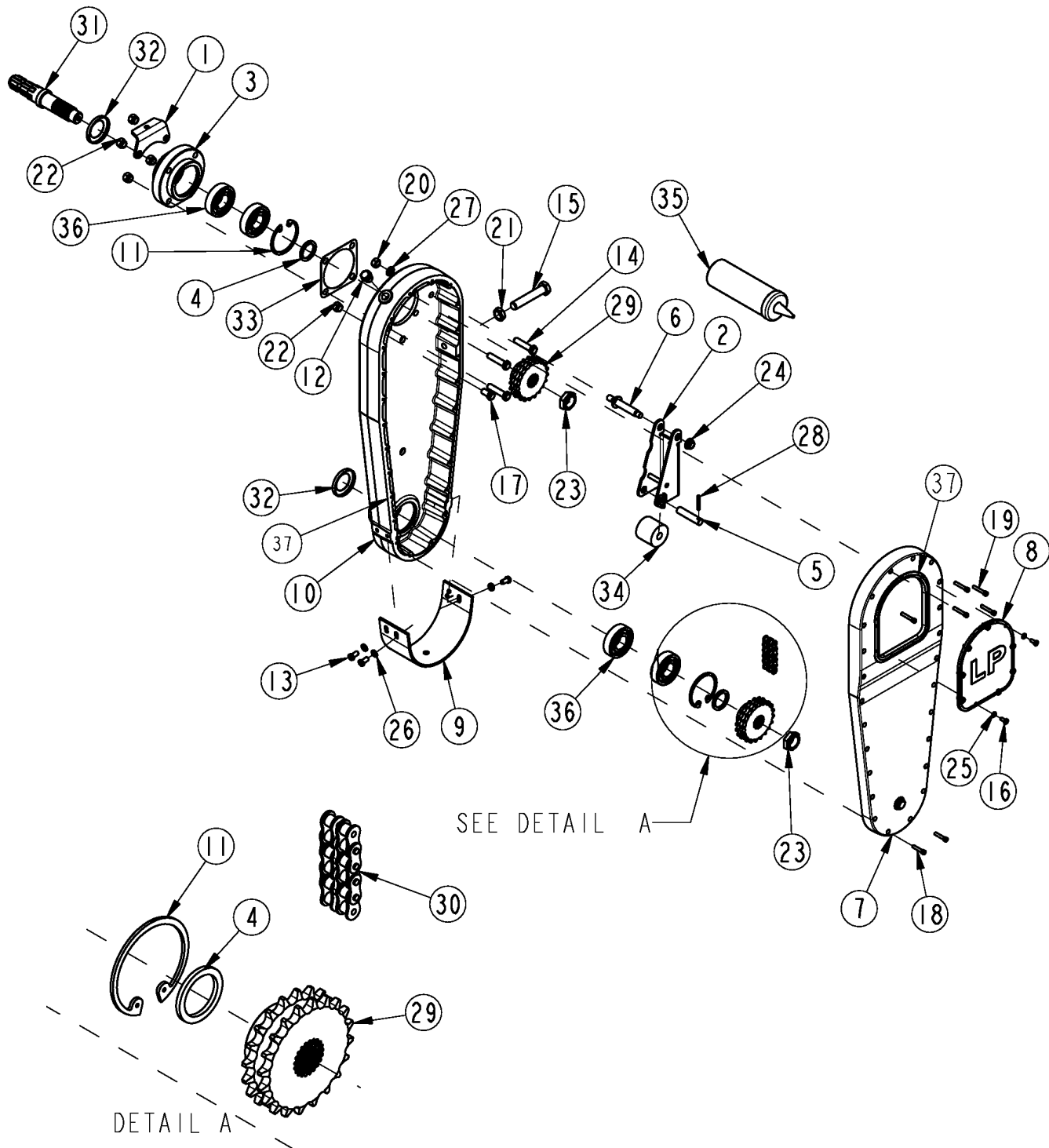
## Chain Case

### Applies to PR1660, PR1672

Ref	Part No.	Part Description	Comments	Revision
	dwg21280	Drawing Image Number		
1.	314-150H	DRIVE COVER MOUNT		
2.	314-188H	CHAIN TIGHTENER PR		
3.	314-190D	BEARING PLATE		
4.	314-209D	UPPER SPLINE SPACER		
5.	314-257D	CHAIN ROLLER SHAFT PR		
6.	314-275D	CAST CASE ACCESS MACHINED	S/N 963483-	
6.	314-275D82	CAST CASE ACCESS MCHND ORANGE	S/N 963483-	
6.	314-258H	WMT, ACCESS COVER	S/N 963484+	
7.	314-261D	CHAIN TIGHTENER PIVOT PR15		
8.	314-274D	CAST CASE COVER MACHINED		
8.	314-274D82	CAST CASE CVR MACHINED ORANGE		
9.	314-276D	SKID SHOE CAST CHN CASE		
10.	314-293D	CAST CASE MACHINED		
10.	314-293D82	CAST CASE MACHINED ORANGE		
11.	314-299D	CAST CASE CAP		
12.	800-053C	SNAP RING INT3.523OD N5000-315		
13.	800-066C	DRAIN PLUG 3/4-16 UNF PLATED		
14.	802-014C	HHCS 3/8-16X3/4 GR5		
15.	802-038C	HHCS 1/2-13X2 1/4 GR5		
16.	802-067C	HHCS 3/4-10X4 GR5 FTHTD		
17.	802-078C	HHCS 1/4-20X5/8 GR5		
18.	802-258C	HHCS 1/2-13X1 GR5		
19.	802-470C	HSHCS 1/4-20X1 1/4		
20.	802-574C	HSHCS 1/4-20X1 1/2		
21.	802-759C	HSFCHCS 10-32X1/2 GR5 PLT		
22.	803-020C	NUT HEX 1/2-13 PLT		
23.	803-048C	NUT HEX JAM 3/4-10 PLT		
24.	803-147C	NUT HEX NYLOCK 1/2-13		
25.	803-153C	NUT LT JAM 1 1/8-12 NYLN INSRT		
26.	803-169C	NUT HEX FLG. LOCK 1/2-13 PLT.		
27.	804-006C	WASHER LOCK SPRING 1/4 PLT		
28.	804-013C	WASHER LOCK SPRING 3/8 PLT		
29.	804-015C	WASHER LOCK SPRING 1/2 PLT		
30.	805-180C	PIN ROLL 1/4 X 1 1/2 LG PLT		
31.	808-131C	SPKT 50-2 X 20T 16/32X21T SPLN		
32.	809-202C	CHAIN #50-2X98P HI TEN ENDLESS		
33.	815-115C	DRIVE SPINDLE PR1572		
34.	815-120C	UPPER SPINDLE PR1572		
35.	816-068C	SEAL 1.75 X 2.75 X .313		
36.	816-319C	MOTOR GASKET		
37.	821-049C	SIKAFLEX 221 BLACK 10.5 OZ TB	S/N 474741+	
37.	816-417C	POWER RAKE GASKET	S/N 474740-	
38.	821-049C	SIKAFLEX 221 BLACK 10.5 OZ TB	S/N 474741+	
38.	816-418C	ACCESS COVER GASKET	S/N 474740-	
39.	817-418C	UHMW 2 1/4ODX21/32IDX2 ROLLER		
40.	821-045C	GRS SHELL GADUS S2 V22000 32OZ		
41.	822-082C	BEARING 307		

# Chain Case

Applies to PR1690



23989

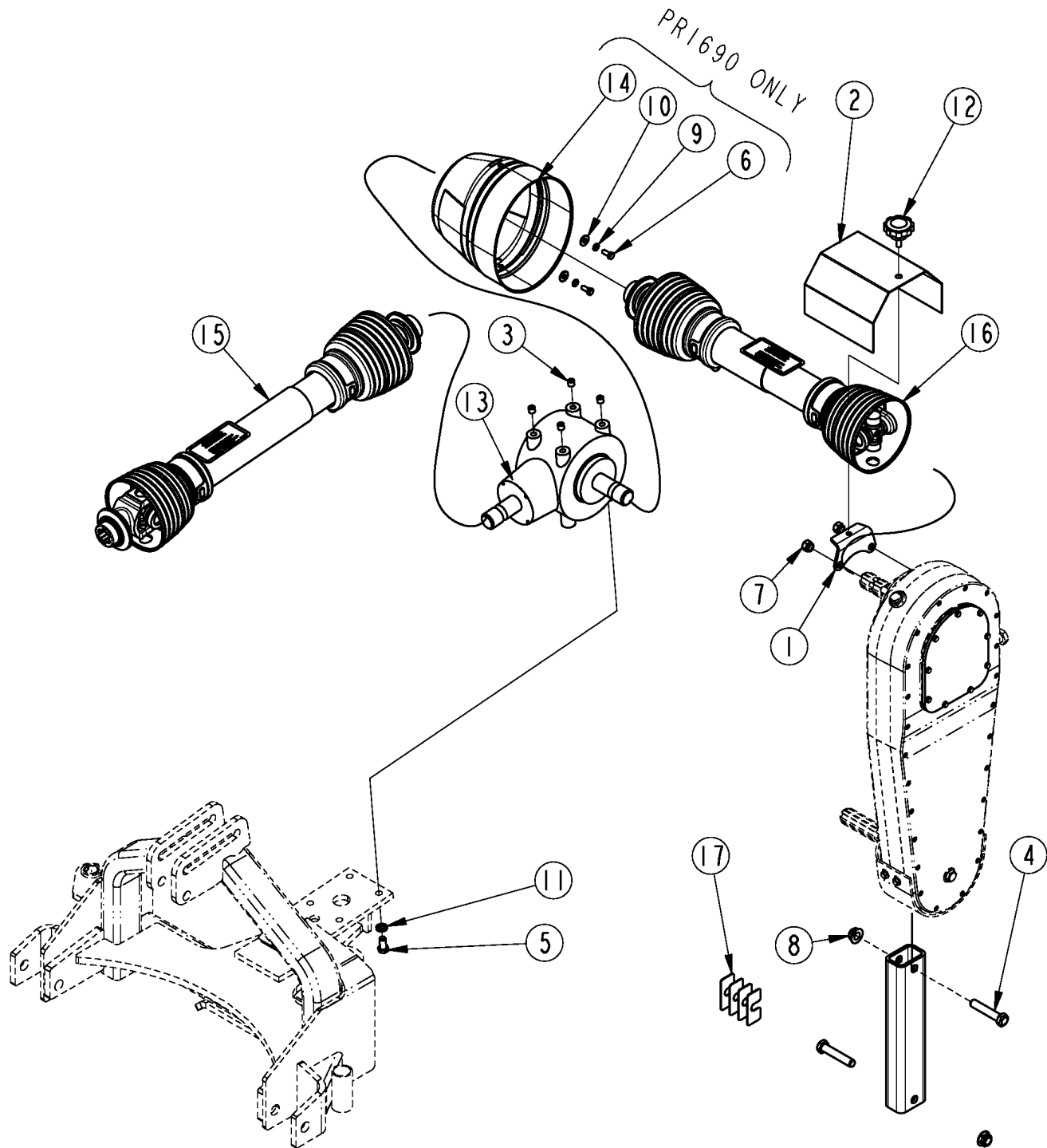
## Chain Case

### Applies to PR1690

Ref	Part No.	Part Description	Comments	Revision
	Dwg 23989	Drawing Image Number		
1.	314-150H	DRIVE COVER MOUNT		
2.	314-188H	CHAIN TIGHTENER PR		
3.	314-190D	BEARING PLATE		
4.	314-209D	UPPER SPLINE SPACER		
5.	314-257D	CHAIN ROLLER SHAFT PR		
6.	314-261D	CHAIN TIGHTENER PIVOT PR15		
7.	314-274D	CAST CASE COVER MACHINED		
7.	314-274D82	CAST CASE CVR MACHINED ORANGE		
8.	314-258H	WMT, ACCESS COVER	S/N 963484+	
8.	314-275D	CAST CASE ACCESS MACHINED	S/N 963483-	
8.	314-275D82	CAST CASE ACCESS MCHND ORANGE	S/N 963483-	
9.	314-276D	SKID SHOE FOR CAST CHAIN CASE		
10.	314-293D	CAST CASE MACHINED		
10.	314-293D82	CAST CASE MACHINED ORANGE		
11.	800-053C	SNAP RING INT3.523OD N5000-315		
12.	800-066C	DRAIN PLUG 3/4-16 UNF PLATED		
13.	802-014C	HHCS 3/8-16X3/4 GR5		
14.	802-038C	HHCS 1/2-13X2 1/4 GR5		
15.	802-067C	HHCS 3/4-10X4 GR5 FTHD		
16.	802-078C	HHCS 1/4-20X5/8 GR5		
17.	802-258C	HHCS 1/2-13X1 GR5		
18.	802-470C	HSHCS 1/4-20X1 1/4		
19.	802-574C	HSHCS 1/4-20X1 1/2		
20.	803-020C	NUT HEX 1/2-13 PLT		
21.	803-048C	NUT HEX JAM 3/4-10 PLT		
22.	803-147C	NUT HEX NYLOCK 1/2-13		
23.	803-153C	NUT LT JAM 1 1/8-12 NYLN INSRT		
24.	803-169C	NUT HEX FLG. LOCK 1/2-13 PLT.		
25.	804-006C	WASHER LOCK SPRING 1/4 PLT		
26.	804-013C	WASHER LOCK SPRING 3/8 PLT		
27.	804-015C	WASHER LOCK SPRING 1/2 PLT		
28.	805-180C	PIN ROLL 1/4 X 1 1/2 LG PLT		
29.	808-131C	SPKT 50-2 X 20T 16/32X21T SPLN		
30.	809-298C	CHAIN #50-2X98P HI TEN ENDLESS		
31.	815-120C	UPPER SPINDLE PR1572		
32.	816-068C	SEAL 1.75 X 2.75 X .313		
33.	816-319C	MOTOR GASKET		
34.	817-418C	UHMW 2 1/4ODX21/32IDX2 ROLLER		
35.	821-045C	GRS SHELL GADUS S2 V22000 32OZ		
36.	822-082C	BEARING 307		
37.	821-049C	SIKAFLEX 221 BLACK 10.5 OZ TB		

# Roller Drive

Applies to PR1660, PR1672, PR1690



24500

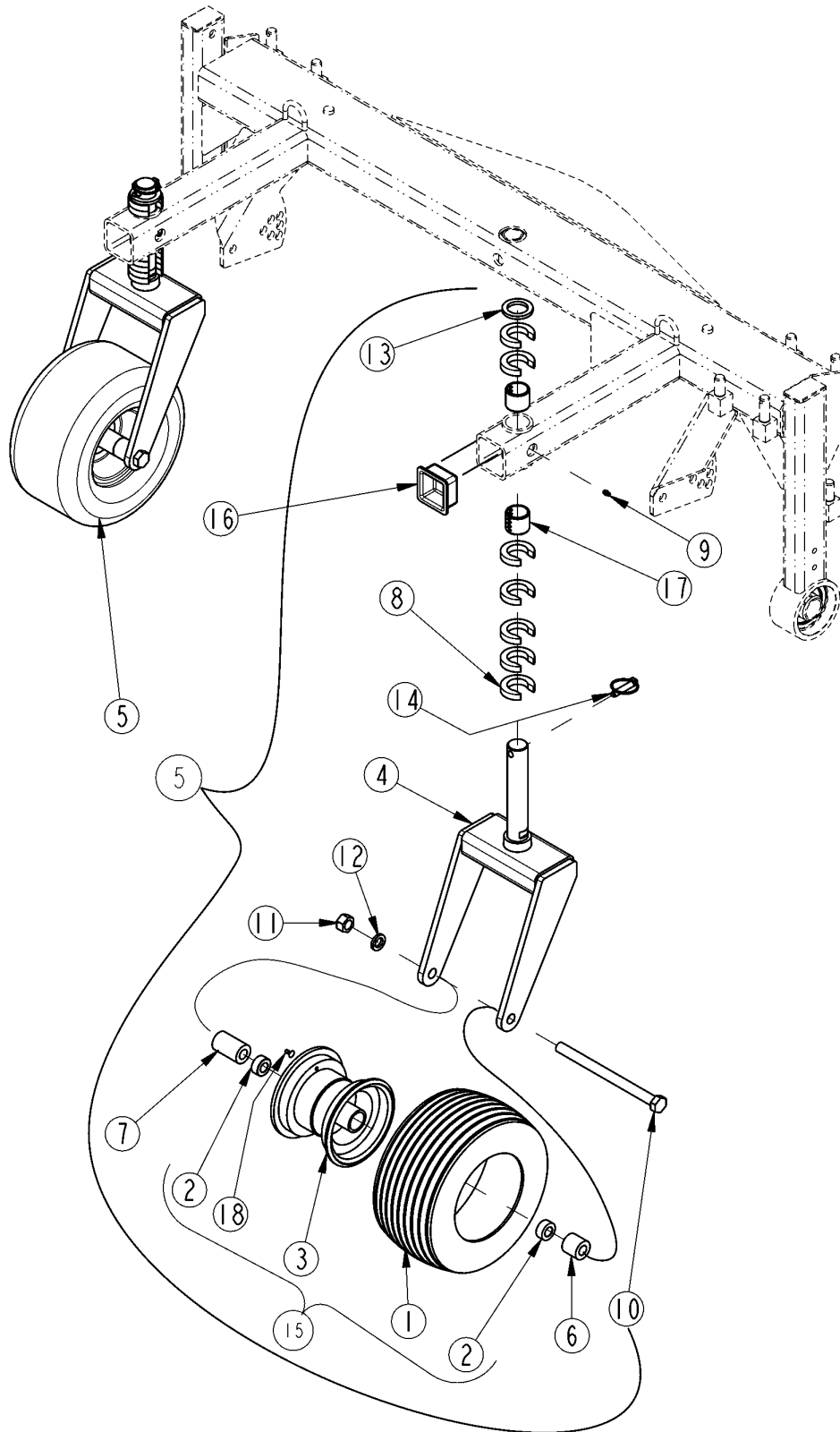


**Roller Drive****Applies to PR1660, PR1672, PR1690**

<b>Ref</b>	<b>Part No.</b>	<b>Part Description</b>	<b>Comments</b>	<b>Revision</b>
	dwg24500	Drawing Image Number		
1.	314-150H	DRIVE COVER MOUNT		
2.	314-222D	3 PT RR CHAINCASE SHIELD	PR1660 PR1672	
2.	314-320D	CHAIN CASE SHIELD PR1690	PR1690	
3.	801-119C	SCREW SET SCKT HD 1/2-13 X 1/2		
4.	802-160C	HHCS 5/8-11X3 1/4 GR5		
5.	802-258C	HHCS 1/2-13X1 GR5		
6.	802-314C	HHCS M8X1.25X20 GR8.8		
7.	803-147C	NUT HEX NYLOCK 1/2-13		
8.	803-263C	NUT HEX FLANGE LOCK 5/8-11 PLT		
9.	804-009C	WASHER LOCK SPRING 5/16 PLT		
10.	804-010C	WASHER FLAT 5/16 USS PLT		
11.	804-015C	WASHER LOCK SPRING 1/2 PLT		
12.	817-358C	KNOB 3/8-16 MALE THD 2 3/8OD		
13.	826-067C	GEARBOX 1.93:1 PWR RAKE		
14.	826-240C	SMALL SHAFT CONE W ACCESS DOOR		
15.	826-434C	DRIVELINE CAT3 PR16		
16.	826-435C	DRIVELINE CAT3 W/CLUTCH PR1660		
16.	826-436C	DRIVELINE CAT3 W/CLUTCH PR1672		
16.	826-437C	DRIVELINE CAT3 W/CLUTCH PR1690		
17.	314-254A	SHIM PACK CHAIN CASE PR	As Required For Reassembly of Chain Case to Frame	

# Gauge Wheels

Applies to PR1660



21323

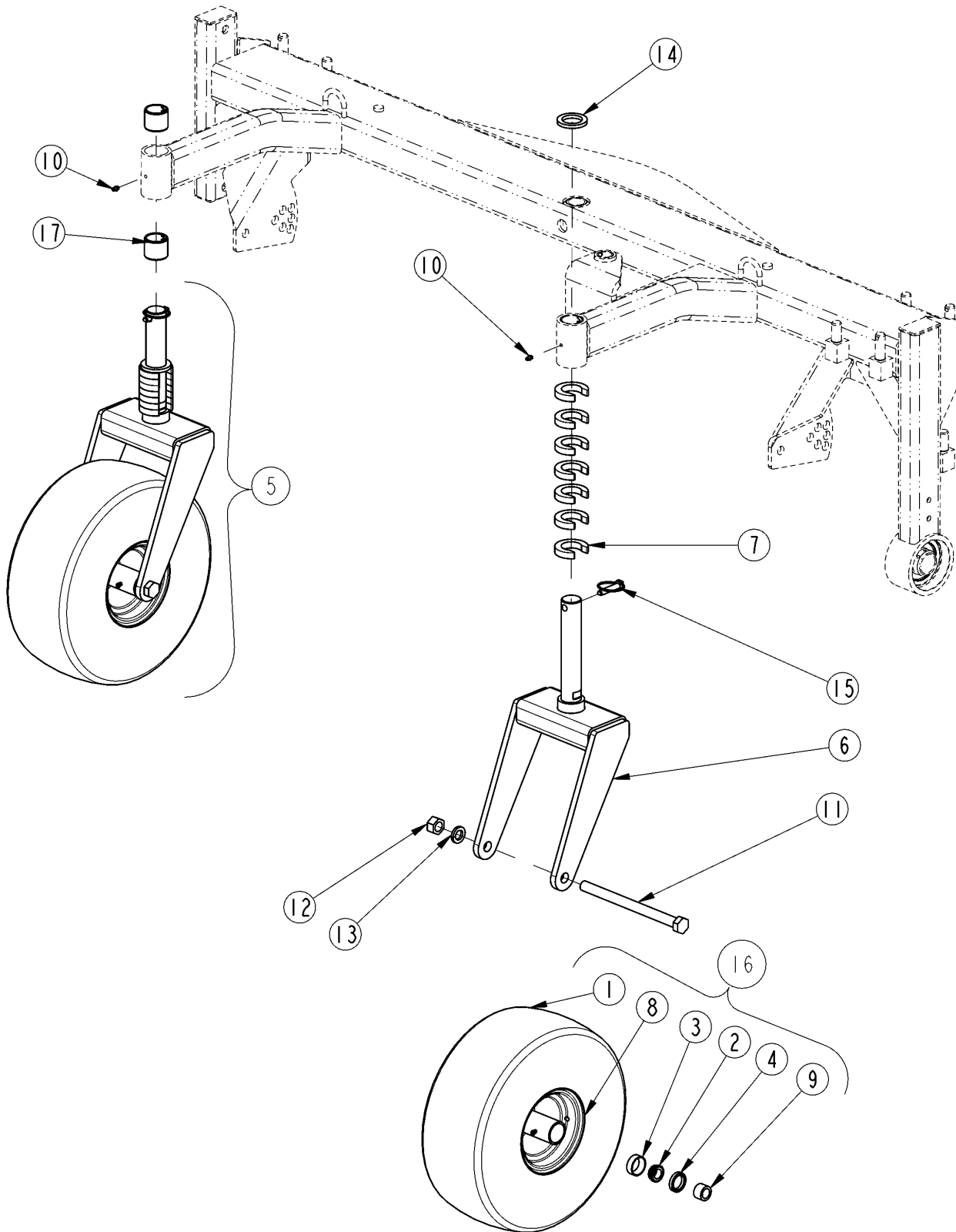
## Gauge Wheels

**Applies to PR1660**

Ref	Part No.	Part Description	Comments	Revision
	dwg21323	Drawing Image Number		
1.	5181861	CARLISLE TIRE 13 X 6.5-6 4PLY		
2.	015300000042	CARLISLE 3/4" ID BEARING		
3.	0631188014	CARLISLE RIM		
4.	314-211H	GAUGE WHEEL YOKE WELD		
5.	314-224S	GUAGE WHEEL YOKE ASSY		
6.	314-253D	GAUGE WHEEL SPACER SHRT PR1560		
7.	314-254D	GAUGE WHEEL SPACER LONG PR1560		
8.	315-733D	C SPACER COLLAR 1/2X1 17/32 ID	7 Required	
9.	800-080C	GREASE ZERK 1/4-28 THD FORMING		
10.	802-272C	HHCS 3/4-10X10 GR5		
11.	803-027C	NUT HEX 3/4-10 PLT		
12.	804-023C	WASHER LOCK SPRING 3/4 PLT		
13.	804-202C	WASHER 2 1/4X1 17/32X1/4		
14.	805-341C	PIN LINCH 7/16 X 2		
15.	814-121C	TIRE/WHEEL ASM 13/6.50X6		
16.	817-422C	PLASTIC CAP FOR 3SQ.X1/4WALL		
17.	890-264C	BUSHING 1 3/4 X 1 1/2 X 1 1/2		
18.	TR-412	T1. VALVE MARTIN		

# Gauge Wheels

Applies to PR1690



23926

## Gauge Wheels

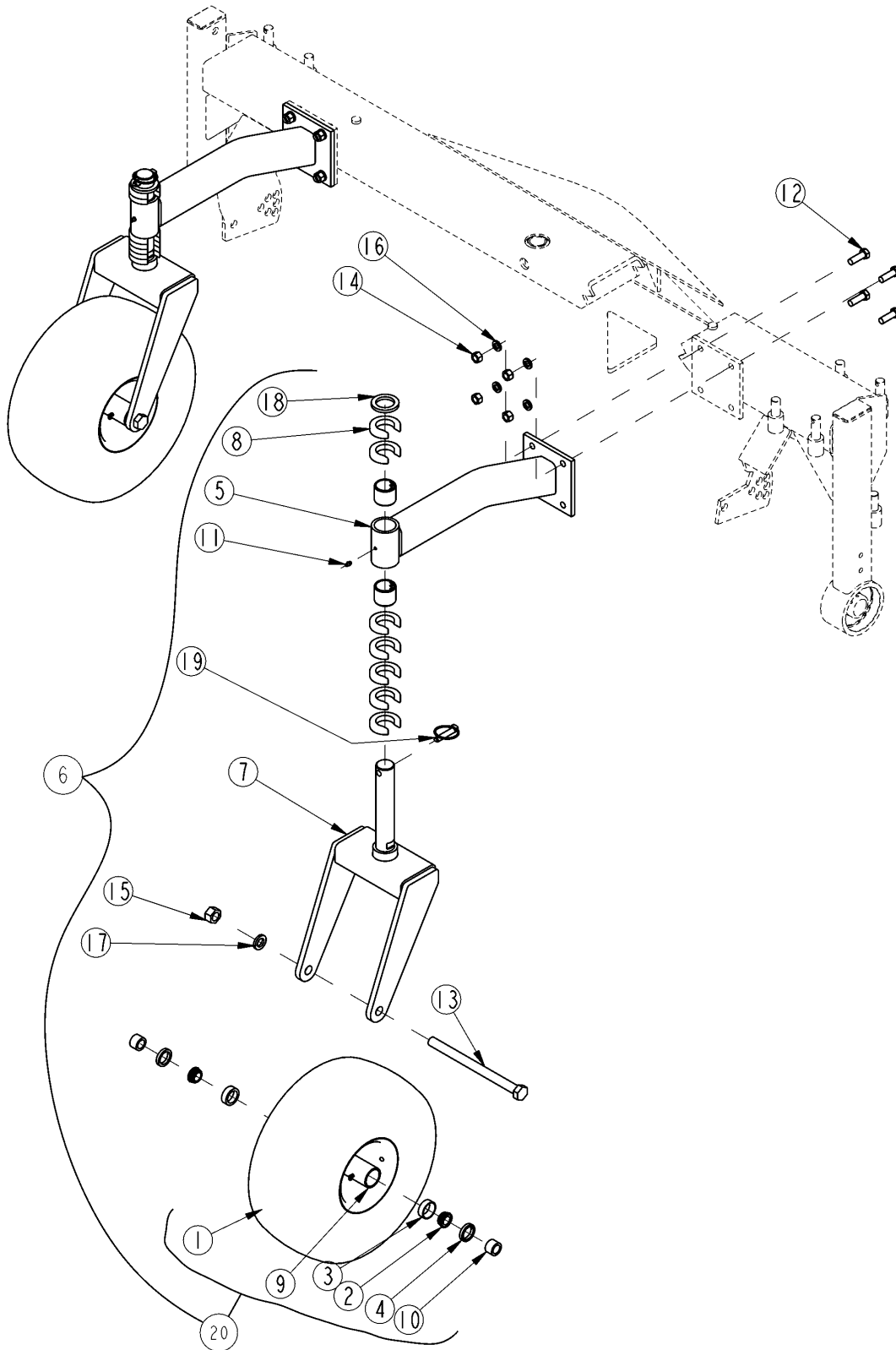
---

### Applies to PR1690

Ref	Part No.	Part Description	Comments	Revision
	dwg23926	Drawing Image Number		
1.	13-304U	CARLISLE TIRE		
2.	30-437	CARLISLE BEARING CONE		
3.	30-438	CARLISLE BEARING CUP		
4.	30-439S2	CARLISLE SEAL		
5.	314-210S	GAUGE WHEEL YOKE ASSY		
6.	314-211H	GAUGE WHEEL YOKE WELD		
7.	315-733D	C SPACER COLLAR 1/2X1 17/32 ID		
8.	50-015S6Y	CARLISLE RIM		
9.	53-170	CARLISLE SPACER		
10.	800-080C	GREASE ZERK 1/4-28 THD FORMING		
11.	802-272C	HHCS 3/4-10X10 GR5		
12.	803-027C	NUT HEX 3/4-10 PLT		
13.	804-023C	WASHER LOCK SPRING 3/4 PLT		
14.	804-202C	WASHER 2 1/4X1 17/32X1/4		
15.	805-341C	PIN LINCH 7/16 X 2		
16.	814-186C	TIRE 16.5 X 6.50-8 2PLY RIB		
17.	890-264C	BUSHING 1 3/4 X 1 1/2 X 1 1/2		

### Gauge Wheels (S/N 474740-)

Applies to PR1672



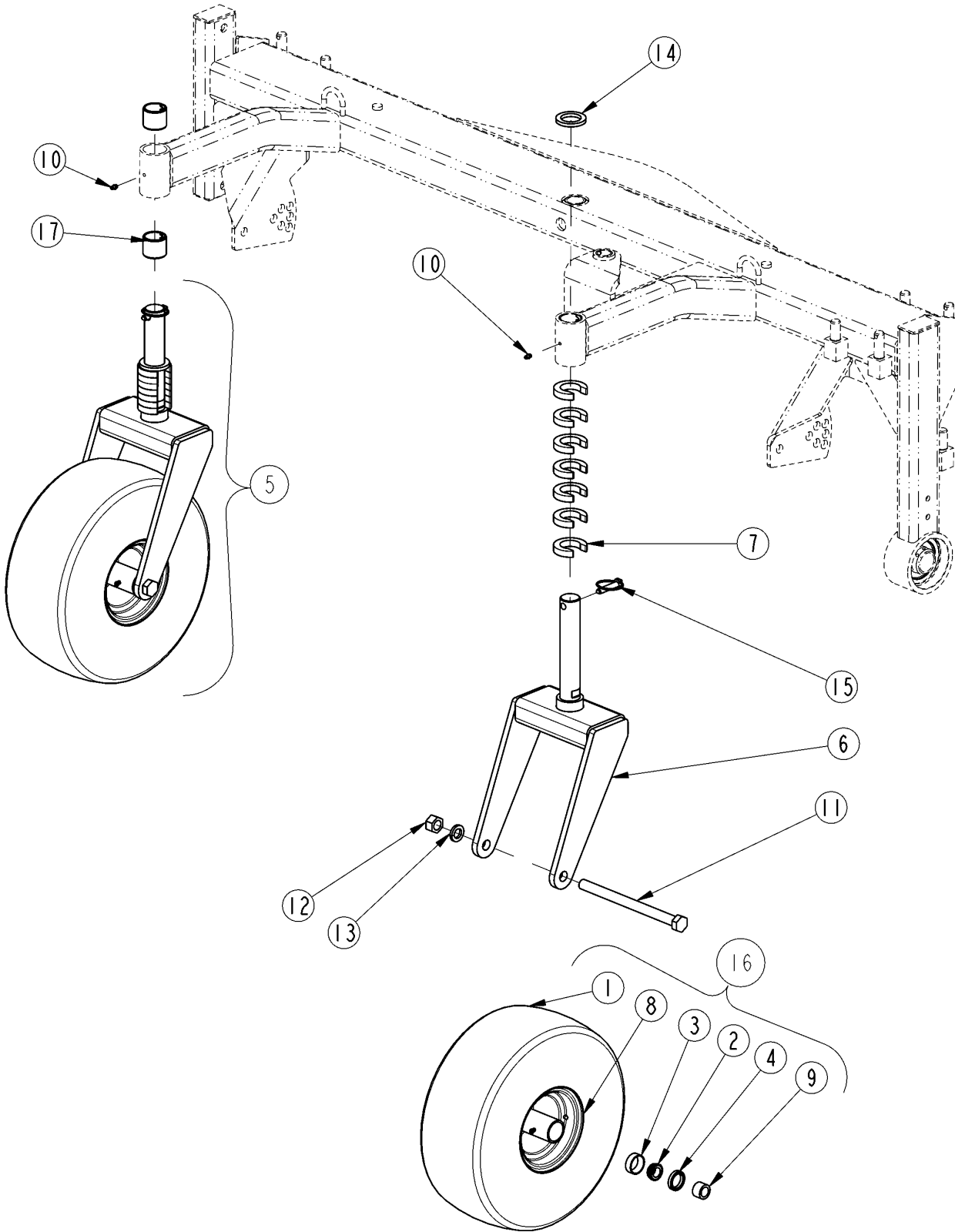
21281

**Gauge Wheels (S/N 474740-)****Applies to PR1672**

<b>Ref</b>	<b>Part No.</b>	<b>Part Description</b>	<b>Comments</b>	<b>Revision</b>
	dwg21281	Drawing Image Number		
1.	13-304U	CARLISLE TIRE		
2.	30-437	CARLISLE BEARING CONE		
3.	30-438	CARLISLE BEARING CUP		
4.	30-439S2	CARLISLE SEAL		
5.	314-192H	GAUGE WHEEL ARM WELD		
6.	314-210S	GAUGE WHEEL YOKE ASSY		
7.	314-211H	GAUGE WHEEL YOKE WELD		
8.	315-733D	C SPACER COLLAR 1/2X1 17/32 ID	7 Required	
9.	50-015S6Y	CARLISLE RIM		
10.	53-170	CARLISLE SPACER		
11.	800-080C	GREASE ZERK 1/4-28 THD FORMING		
12.	802-091C	HHCS 1/2-13X1 1/2 GR5		
13.	802-272C	HHCS 3/4-10X10 GR5		
14.	803-020C	NUT HEX 1/2-13 PLT		
15.	803-027C	NUT HEX 3/4-10 PLT		
16.	804-015C	WASHER LOCK SPRING 1/2 PLT		
17.	804-023C	WASHER LOCK SPRING 3/4 PLT		
18.	804-202C	WASHER 2 1/4X1 17/32X1/4		
19.	805-341C	PIN LYNCH 7/16 X 2		
20.	814-186C	TIRE 16.5 X 6.50-8 2PLY RIB		

### Gauge Wheels (S/N 474741+)

Applies to PR1672



23926

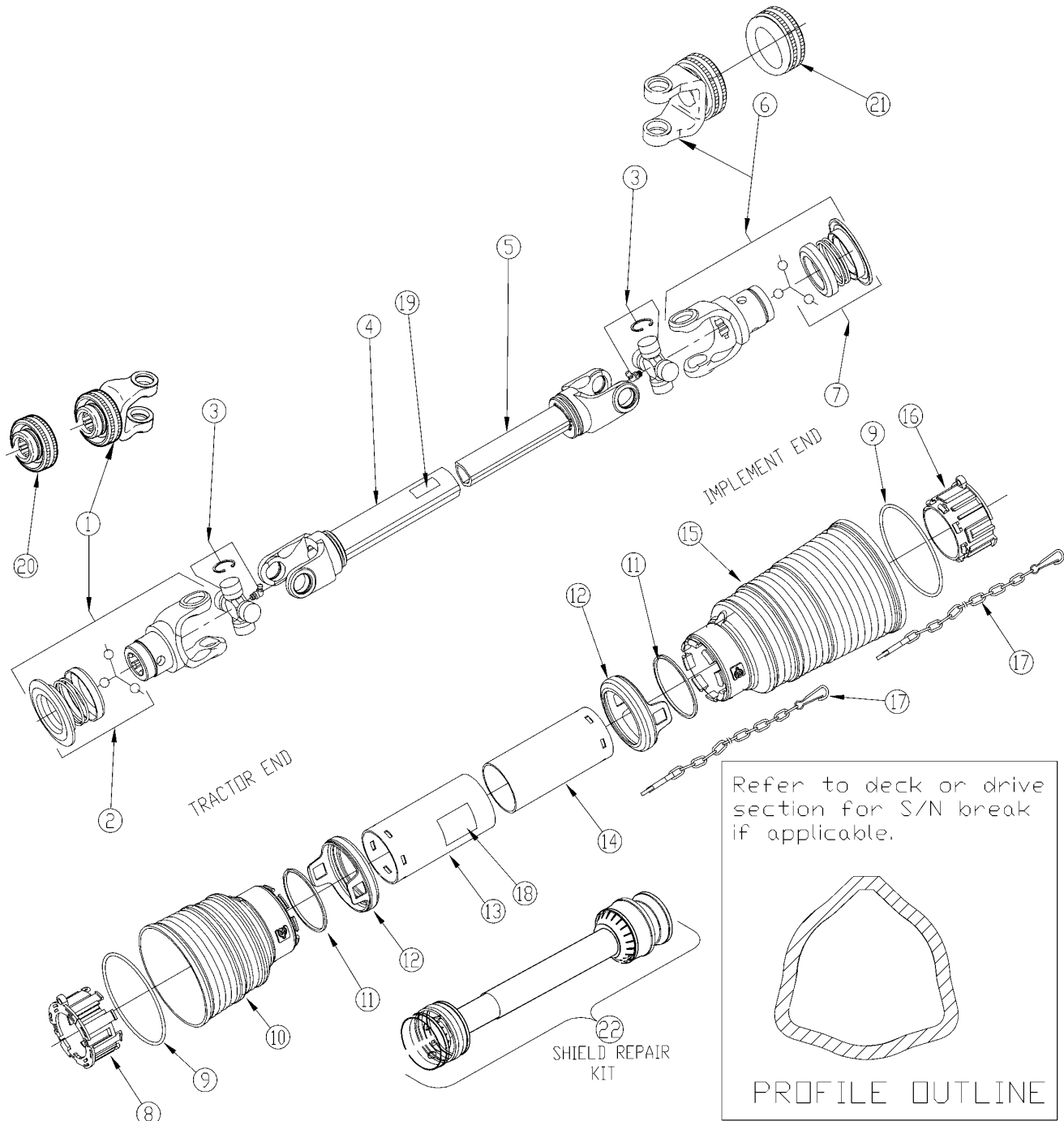


**Gauge Wheels (S/N 474741+)****Applies to PR1672**

<b>Ref</b>	<b>Part No.</b>	<b>Part Description</b>	<b>Comments</b>	<b>Revision</b>
	dwg23926	Drawing Image Number		
1.	13-304U	CARLISLE TIRE		
2.	30-437	CARLISLE BEARING CONE		
3.	30-438	CARLISLE BEARING CUP		
4.	30-439S2	CARLISLE SEAL		
5.	314-210S	GAUGE WHEEL YOKE ASSY		
6.	314-211H	GAUGE WHEEL YOKE WELD		
7.	315-733D	C SPACER COLLAR 1/2X1 17/32 ID		
8.	50-015S6Y	CARLISLE RIM		
9.	53-170	CARLISLE SPACER		
10.	800-080C	GREASE ZERK 1/4-28 THD FORMING		
11.	802-272C	HHCS 3/4-10X10 GR5		
12.	803-027C	NUT HEX 3/4-10 PLT		
13.	804-023C	WASHER LOCK SPRING 3/4 PLT		
14.	804-202C	WASHER 2 1/4X1 17/32X1/4		
15.	805-341C	PIN LINCH 7/16 X 2		
16.	814-186C	TIRE 16.5 X 6.50-8 2PLY RIB		
17.	890-264C	BUSHING 1 3/4 X 1 1/2 X 1 1/2		

**Driveline (826-434C)**

Applies to PR1660, PR1672, PR1690



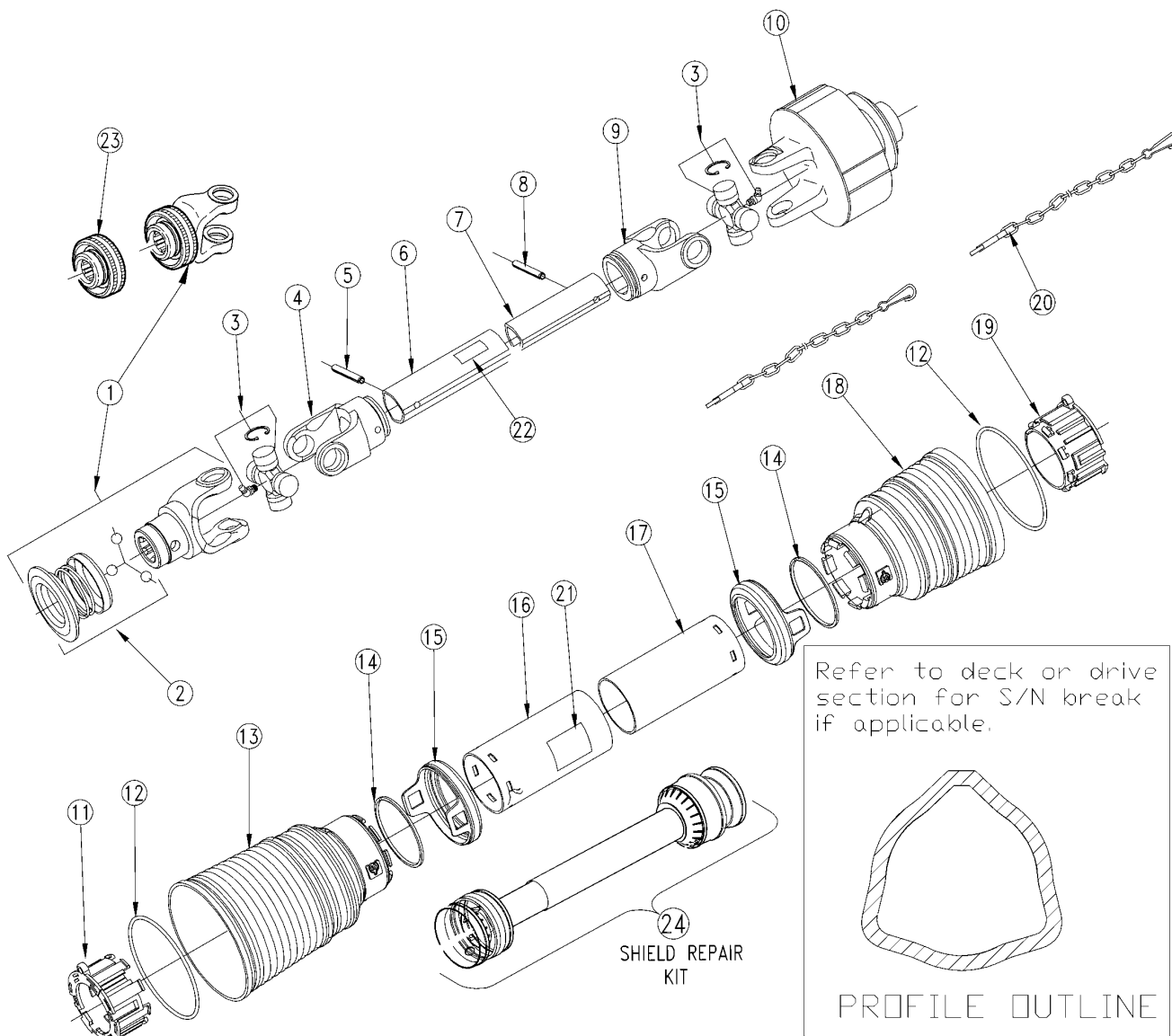
21337

**Driveline (826-434C)****Applies to PR1660, PR1672, PR1690**

<b>Ref</b>	<b>Part No.</b>	<b>Part Description</b>	<b>Comments</b>	<b>Revision</b>
	dwg21337	Drawing Image Number		
	826-434C	DRIVELINE CAT3 PR16		
1.	1015012	EC YOKE ASSEMBLY	Pull Collar	
1.	1015010	EC YOKE ASSY. (TRACTOR END)	Twist Collar	
2.	1004225	EC PULL COLLAR KIT		
3.	1005020	EC CROSS ASSEMBLY		
4.	1945045N	EC OUTER TUBE WITH YOKE		
5.	1955047N	EC INNER TUBE WITH YOKE		
6.	1015012	EC YOKE ASSEMBLY	Pull Collar	
6.	1115010	EC YOKE ASSY (IMP END)	Twist Collar	
7.	1004225	EC PULL COLLAR KIT		
8.	1785710	EC TUBE BEARING (OUTER TUBE)		
9.	1215733	EC STIFFENING RING		
10.	1885703	EC STANDARD CONE		
11.	1215735	EC STOP RING		
12.	1885709	EC SAFETY SLEEVE		
13.	1876042	EC INNER TUBE 420MM		
14.	1877042	EC INNER TUBE (1877046) 420MM		
15.	1885704	EC LONG CONE		
16.	1785711	EC TUBE BEARING (INNER TUBE)		
17.	044321	DRIVELINE SHIELD SAFETY CHAIN	S/N 946472-	
18.	818-552C	DECAL DANGER PTO DRIVELINE		
19.	818-540C	DECAL DANGER GUARD MISS PTO		
20.	1004220	EC TWIST COLLAR KIT (TRT. END)		
21.	1004224	EC TWIST COLLAR KIT (IMP. END)		
22.	826-562C	SHIELD KIT, 826-434C		

### Driveline (826-435C)

Applies to PR1660

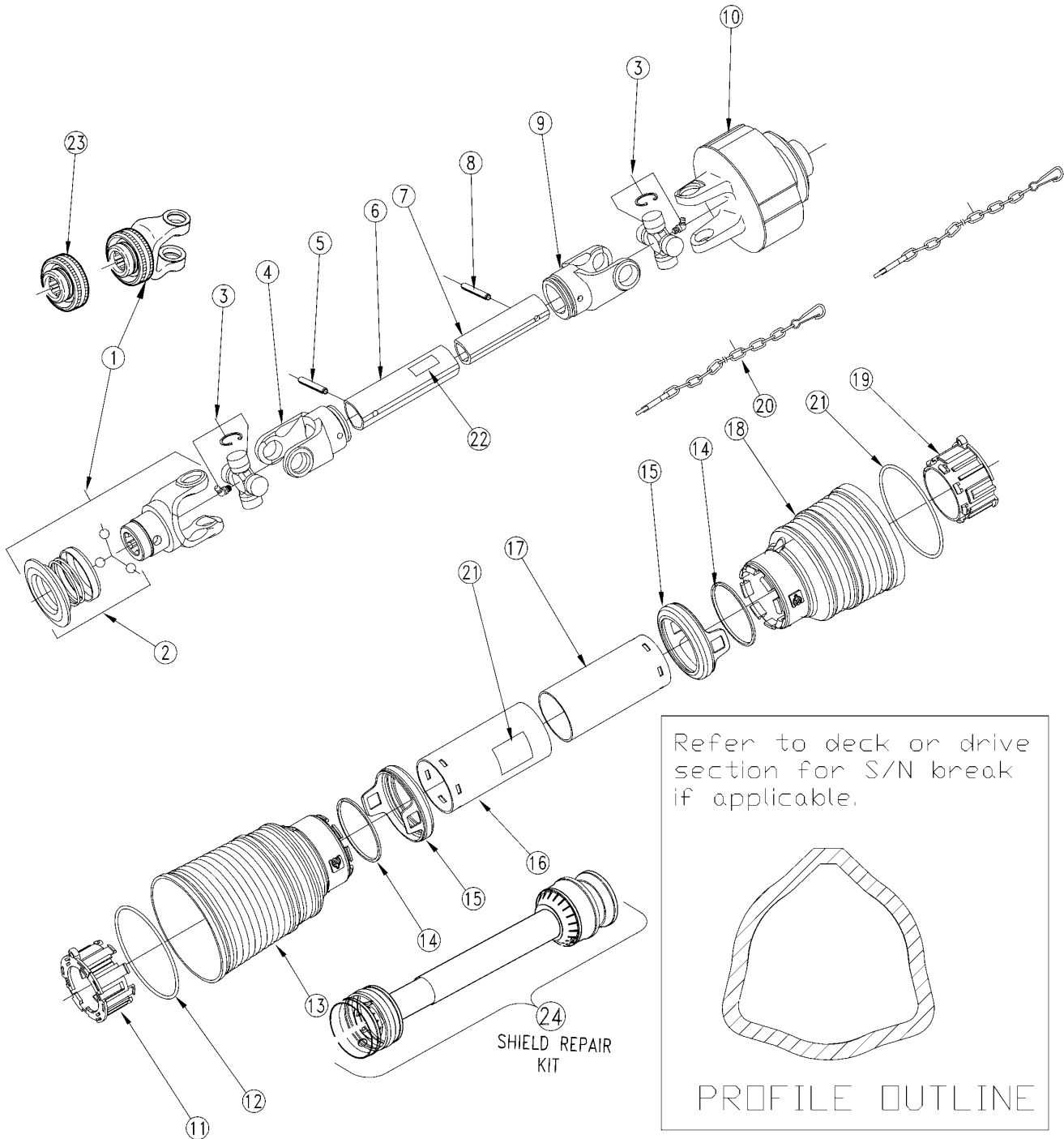


**Driveline (826-435C)****Applies to PR1660**

Ref	Part No.	Part Description	Comments	Revision
	dwg21339	Drawing Image Number		
	826-435C	DRIVELINE CAT3 W/CLUTCH PR1660		
1.	1015012	EC YOKE ASSEMBLY	Pull Collar	
1.	1015010	EC YOKE ASSY. (TRACTOR END)	Twist Collar	
2.	1004225	EC PULL COLLAR KIT		
3.	1005020	EC CROSS ASSEMBLY		
4.	1705027	EC OUTER TUBE YOKE		
5.	6331075	EC 10X75-DIN-1485 ROLL PIN		
6.	1527023	EC OUTER TUBE (1527056) 230MM		
7.	1526023	EC INNER TUBE (1526084) 230MM		
8.	6331065	EC 10X65-DIN-1485 ROLL PIN		
9.	1705029	EC INNER TUBE YOKE		
10.	1385609	EC CLUTCH ASSY. DB2/5 900Nm		
11.	1785710	EC TUBE BEARING (OUTER TUBE)		
12.	1215733	EC STIFFENING RING		
13.	1885704	EC LONG CONE		
14.	1215735	EC STOP RING		
15.	1885709	EC SAFETY SLEEVE		
16.	1876013	EC OUTER TUBE SHIELD		
17.	1877013	EC INNER TUBE SHIELD		
18.	1885703	EC STANDARD CONE		
19.	1785711	EC TUBE BEARING (INNER TUBE)		
20.	044321	DRIVELINE SHIELD SAFETY CHAIN	S/N 946472-	
21.	818-552C	DECAL DANGER PTO DRIVELINE		
22.	818-540C	DECAL DANGER GUARD MISS PTO		
23.	1004220	EC TWIST COLLAR KIT (TRT. END)		
24.	826-563C	SHIELD KIT, 826-435C		

**Driveline (826-436C)**

**Applies to PR1672**



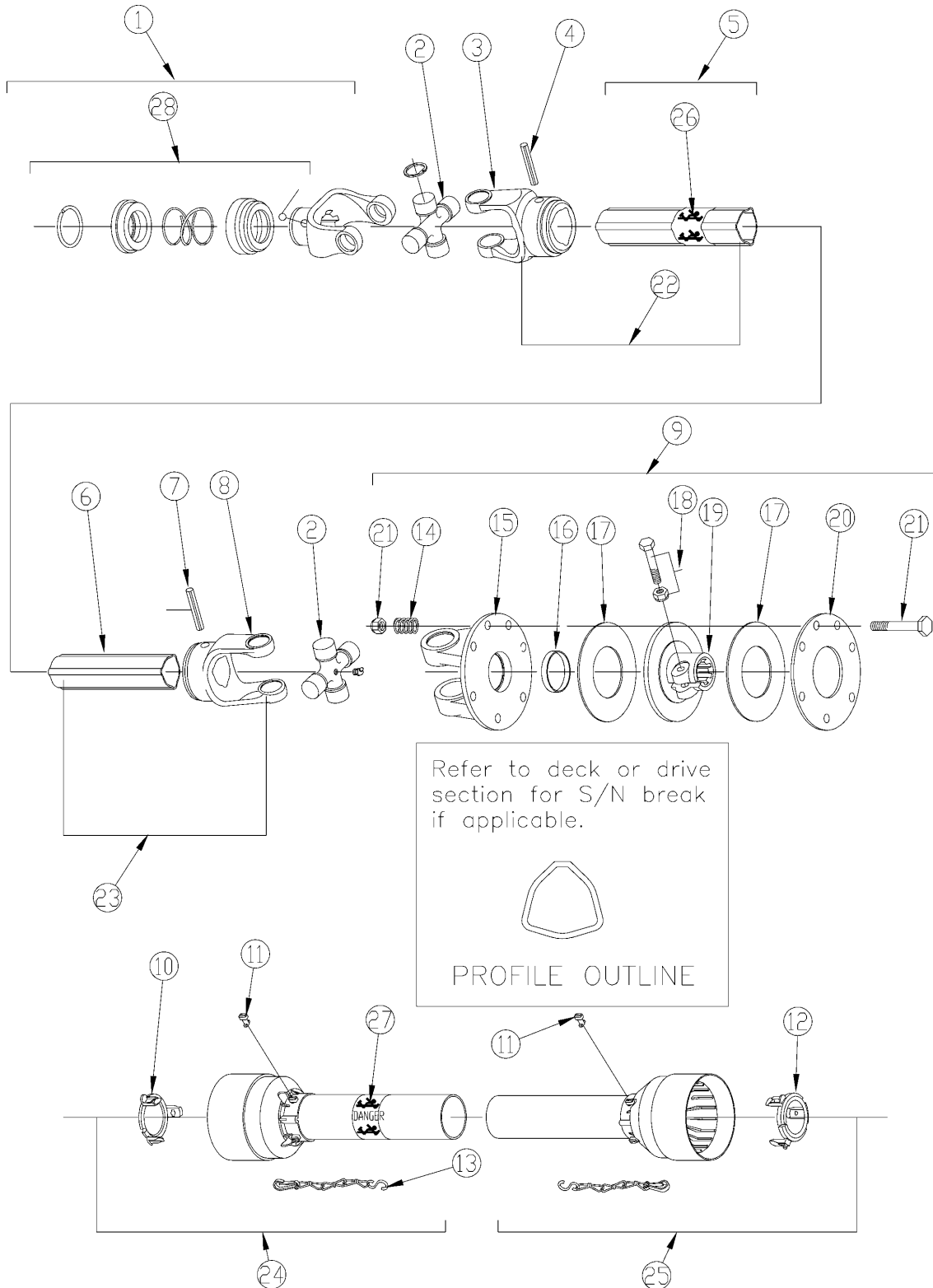
21338

**Driveline (826-436C)****Applies to PR1672**

Ref	Part No.	Part Description	Comments	Revision
	dwg21338	Drawing Image Number		
	826-436C	DRIVELINE CAT3 W/CLUTCH PR1672		
1.	1015012	EC YOKE ASSEMBLY	Pull Collar	
1.	1015010	EC YOKE ASSY. (TRACTOR END)	Twist Collar	
2.	1004225	EC PULL COLLAR KIT		
3.	1005020	EC CROSS ASSEMBLY		
4.	1705027	EC OUTER TUBE YOKE		
5.	6331075	EC 10X75-DIN-1485 ROLL PIN		
6.	1527033	EC OUTER TUBE (1527056) 330MM		
7.	1526033	EC INNER TUBE (1526084) 330MM		
8.	6331065	EC 10X65-DIN-1485 ROLL PIN		
9.	1705029	EC INNER TUBE YOKE		
10.	1385709	EC BD2/5 900 NM PULL EVOLUTION		
11.	1785710	EC TUBE BEARING (OUTER TUBE)		
12.	1215733	EC STIFFENING RING		
13.	1885704	EC LONG CONE		
14.	1215735	EC STOP RING		
15.	1885709	EC SAFETY SLEEVE		
16.	1876023	EC OUTER TUBE SHEILD		
17.	1877023	EC INNER TUBE (1877046) 230MM		
18.	1885703	EC STANDARD CONE		
19.	1785711	EC TUBE BEARING (INNER TUBE)		
20.	044321	DRIVELINE SHIELD SAFETY CHAIN	S/N 946472-	
21.	818-552C	DECAL DANGER PTO DRIVELINE		
22.	818-540C	DECAL DANGER GUARD MISS PTO		
23.	1004220	EC TWIST COLLAR KIT (TRT. END)		
24.	826-565C	SHIELD KIT, 826-436C		

### Driveline (826-437C)

Applies to PR1690



23992

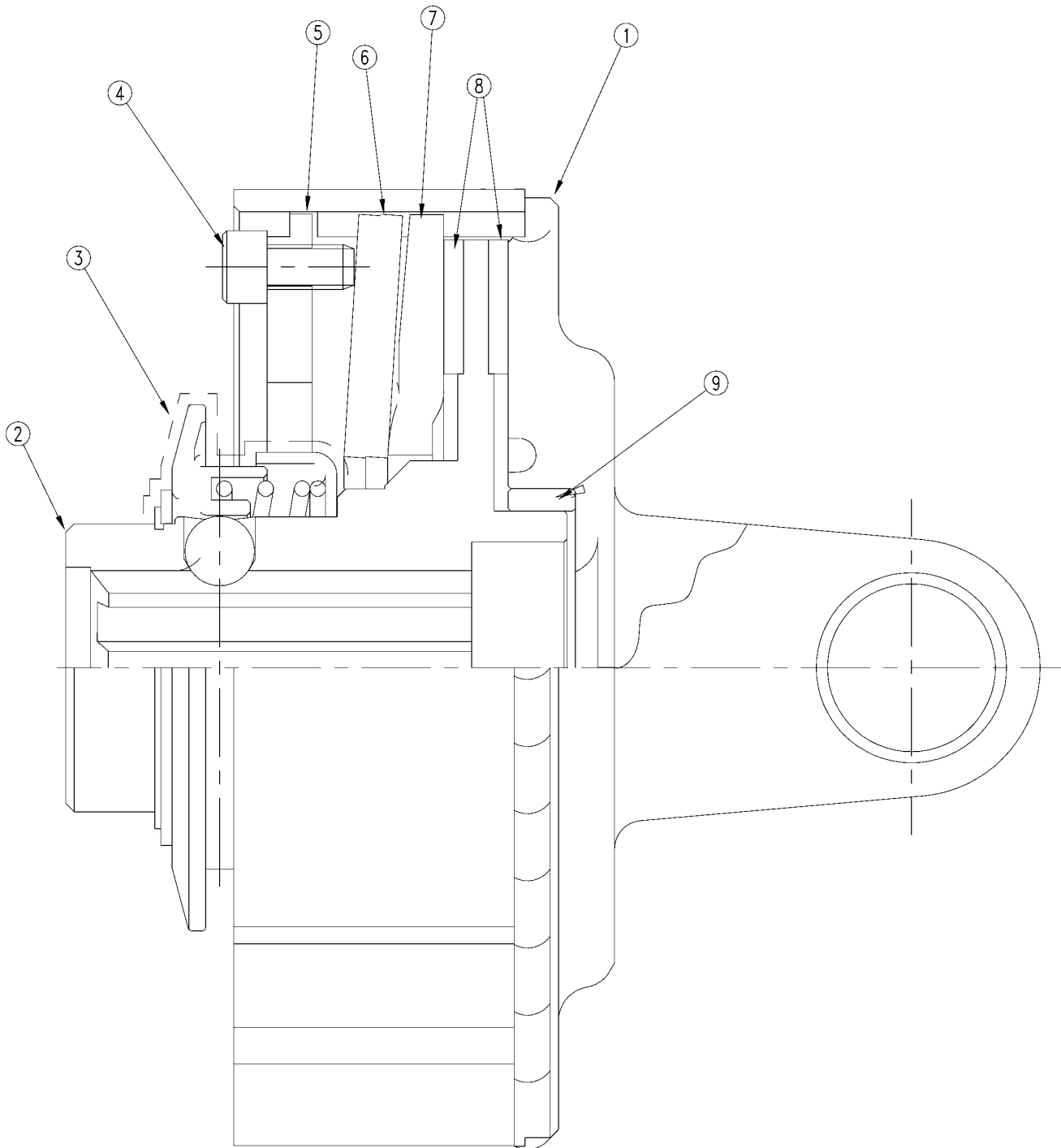


**Driveline (826-437C)****Applies to PR1690**

Ref	Part No.	Part Description	Comments	Revision
	dwg23992	Drawing Image Number		
	826-437C	DRIVELINE CAT3 W/CLUTCH PR1690		
		*		
1.	141.025.363	COMERCOMPLETE COLLAR YOKE C12		
2.	180.015.130	COMER CROSS JOURNAL SET		
3.	151.015.011	COMER OUTER YOKE		
4.	190.000.016	COMER ROLL PIN, INNER TUBE		
5.	1521502080710	COMER OUTER TUBE W/ LABEL		
6.	153.150.108	COMER INNER TUBE		
7.	190.000.394	COMER ROLL PIN FOR INNER TUBE		
8.	151.015.012.1	COMER INNER YOKE		
8.	151.015.012	RPBY 151.015.012.1		
9.	146.251.001	COMER COMPLETE DISC CLUTCH F12		
10.	180.015.009	COMER GRD RTN COLLR OUTER TUBE		
11.	190.000.019	COMER BOLT		
12.	180.015.008	COMER GRD RTNG CLLR INNER TUBE		
13.	180.016.025	COMER SAFTEY CHAINS	S/N 946472-	
14.	180.014.022	COMER SPRING		
15.	151.015.017	COMER FLANGED YOKE		
16.	180.015.020	COMER BUSH		
17.	180.015.019	COMER LINING RING		
18.	165.000.502	COMER NUT & BOLT M12X1.25X65		
19.	151.015.018	COMER CLUTCH SUPPORT F12		
20.	180.015.021.1	CO PRESSURE PLATE		
20.	180.015.021	RPBY 180.015.021.1		
21.	165.000.501	COMER NUT & BOLT M10X80		
22.	122.350.031	COMER FMALE TB YKE W/ ROLL PIN		
23.	122.350.514	COMER MALE TBE YKE W/ ROLL PIN		
24.	1422560637520	COMER HALF FEMALE GUARD		
25.	1422512637520	COMER HALF MALE GUARD		
26.	190.000.098	COMER DANGER LABEL OUTER TUBE		
27.	190.000.099	COMER DANGER LABEL GUARD OUTER		
28.	165.000.628	COMER COLLOR KIT 1-3/8 YOKE		

**EC Clutch Assembly (1385609)**

Applies to PR1660, PR1672



21340

**EC Clutch Assembly (1385609)**

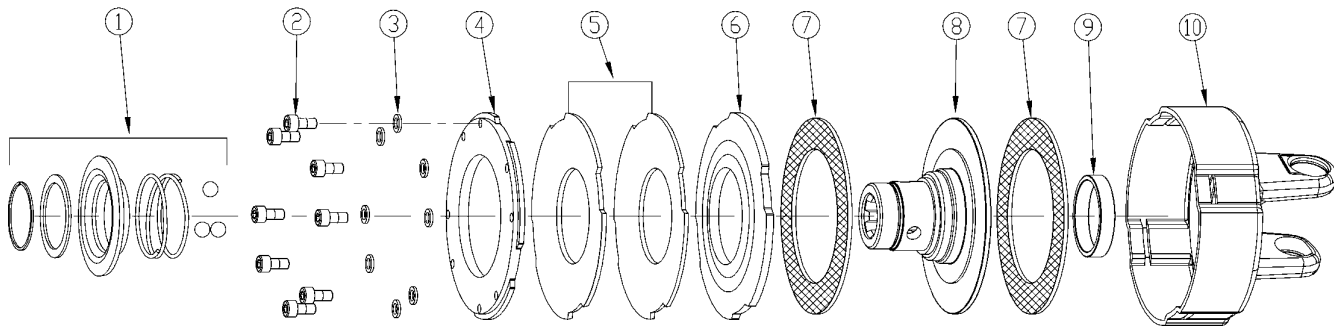
---

**Applies to PR1660, PR1672**

<b>Ref</b>	<b>Part No.</b>	<b>Part Description</b>	<b>Comments</b>	<b>Revision</b>
	dwg21340	Drawing Image Number		
	1385609	EC CLUTCH ASSY. DB2/5 900Nm		
1.	1385001	EC OUTER BODY FOR BD2/5		
2.	1704065	EC HUB WITH FLG. (1.38-6)		
3.	1004225	EC PULL COLLAR KIT		
4.	6040816	EC SCREW M8 X 16		
5.	1134012	EC CLOSURE FLANGE		
6.	1216901	EC SPRING KIT (R-R900Nm)		
7.	1134011	EC PRESSURE FLANGE		
8.	1806010	EC FRICTION DISC		
9.	1705009	EC CLUTCH BUSHING		

## ***EC Clutch Assembly (1385709)***

**Applies to PR1672**



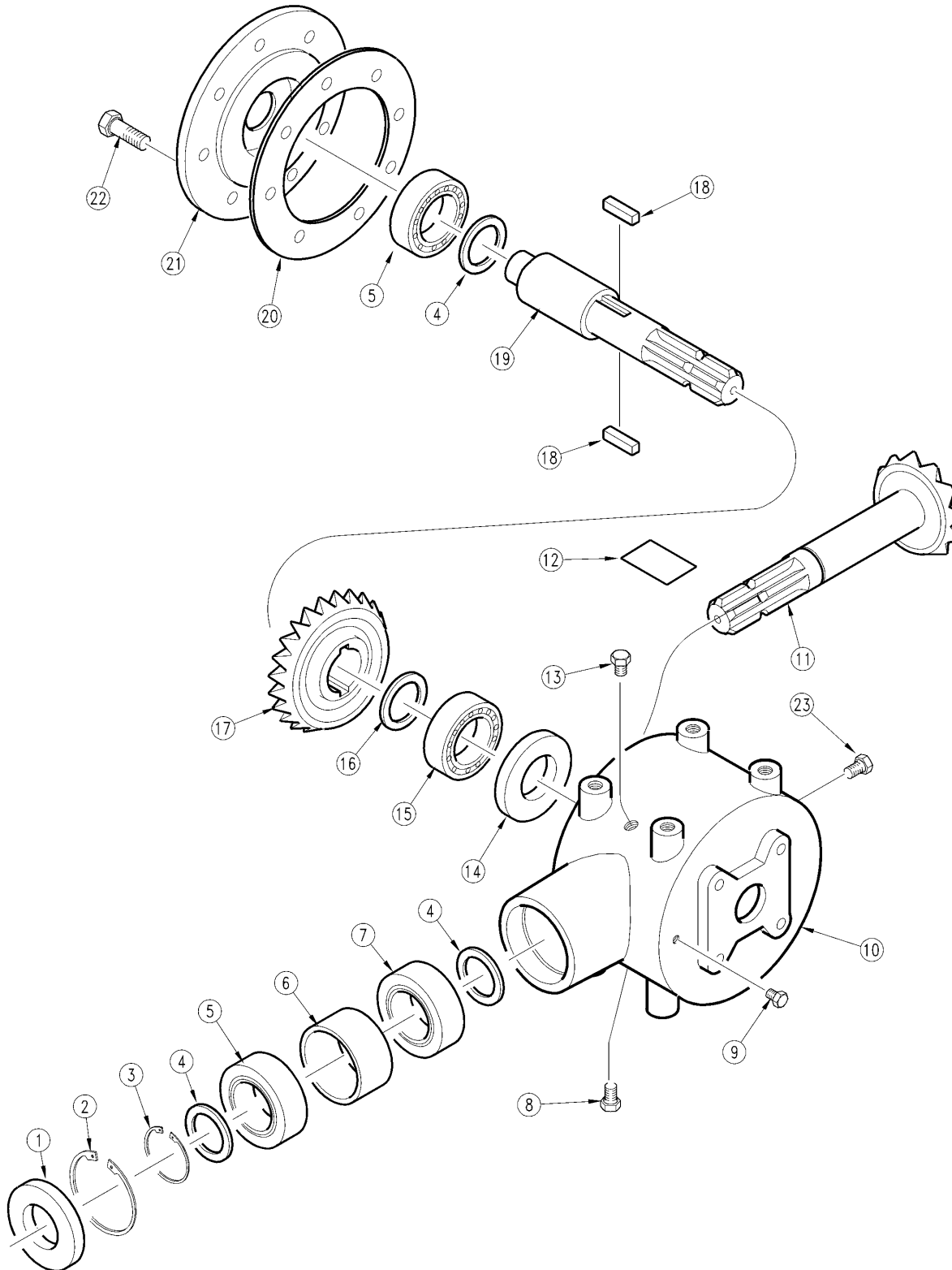
35176

**EC Clutch Assembly (1385709)****Applies to PR1672**

<b>Ref</b>	<b>Part No.</b>	<b>Part Description</b>	<b>Comments</b>	<b>Revision</b>
	dwg35176	Drawing Image Number		
	1385709	EC BD2/5 900 NM PULL EVOLUTION *		
1.	1004227	EC PULL COLLAR KIT EVOLUTION		
2.	6040818	EC SCREW M8X18 (GRADE 10.9)		
3.	6402901	EC WASHER 8.5X14X2		
4.	1134012	EC CLOSURE FLANGE		
5.	1216901	EC SPRING KIT (R+R900Nm)		
6.	1134011	EC CLOSURE FLANGE		
7.	1806010	EC FRICTION DISC		
8.	1704065	EC HUB WITH FLG. (1.38-6)		
9.	1705009	EC CLUTCH BUSHING		
10.	1385001	EC OUTER BODY FOR BD2/5		

### **Gearbox (826-067C)**

Applies to PR1660, PR1672, PR1690



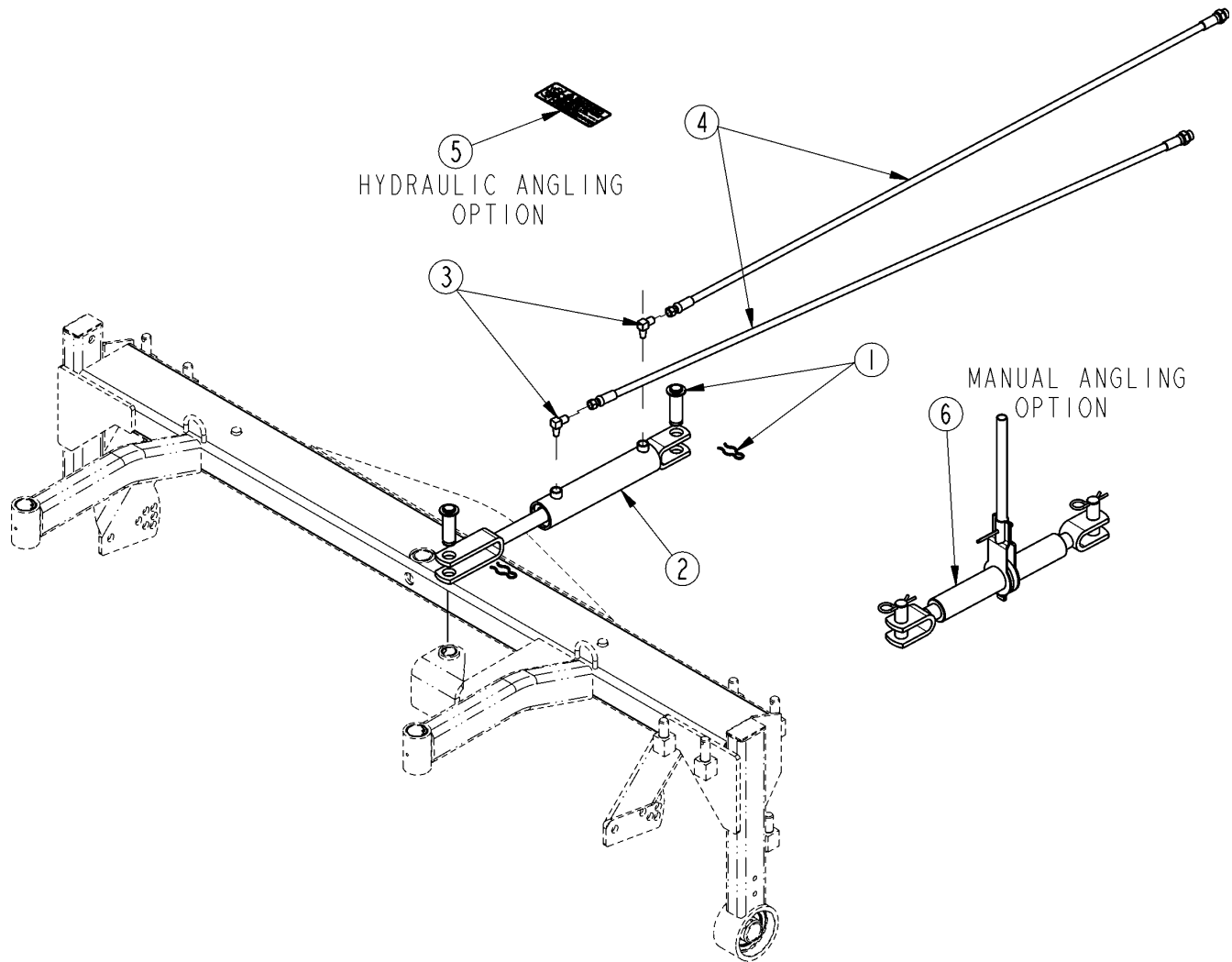
10602

**Gearbox (826-067C)****Applies to PR1660, PR1672, PR1690**

<b>Ref</b>	<b>Part No.</b>	<b>Part Description</b>	<b>Comments</b>	<b>Revision</b>
	Dwg 10602 826-067C *	Drawing Image Number GEARBOX 1.93:1 PWR RAKE		
1.	8.7.3.00055	CO OIL SEAL 35 X 72 X 10		
2.	8.5.1.00583	CO SNAP RING 35 UNI 7436		
3.	A.259.500	CO ADJUSTMENT SPACER, 35.3 X48		
4.	A.259.500	CO ADJUSTMENT SPACER, 35.3 X48		
5.	822-166C	BEARING BALL 6207		
6.	0.253.7107.00	CO GEARBOX BEARING SPACER		
7.	8.0.9.00127	COMER BEARING 32207		
8.	8.6.5.00006	CO OIL PLUG 3/8		
9.	811-336C	PL 1/4MNPT		
10.	0.304.0302.00	CO CASING 826-067C 0.344.243		
11.	0.304.5000.00	CO PINION SHAFT Z15 M5 PR2572		
12.	0.141.7105.00	CO NAME PLATE FOR 826-067C		
13.	811-019C	PL 3/8MNPT BREATHER		
14.	8.7.3.00603	CO OIL SEAL 40 X 62 X 7		
15.	8.0.1.00871	BEARING #6208		
16.	A244.501	CO SHIM 40.3 X 51.5 826-067C		
17.	0.304.6000.00	CO PLUG 3/8 GAS		
18.	8.4.1.01141	CO PAR. KEY M 12 X 8 X 30		
19.	0.304.3000.00	CO OUTPUT SHAFT 826-067C 0.304		
20.	0.247.7201.00	CO GASKET FOR 826-067C		
21.	0.304.1302.00	CO COVER FOR 826-067C 0.304.		
22.	802-314C	HHCS M8X1.25X20 GR8.8		
23.	8.6.5.00006	CO OIL PLUG 3/8		

## Angling Options

Applies to PR1660, PR1672, PR1690



21324



## ***Angling Options***

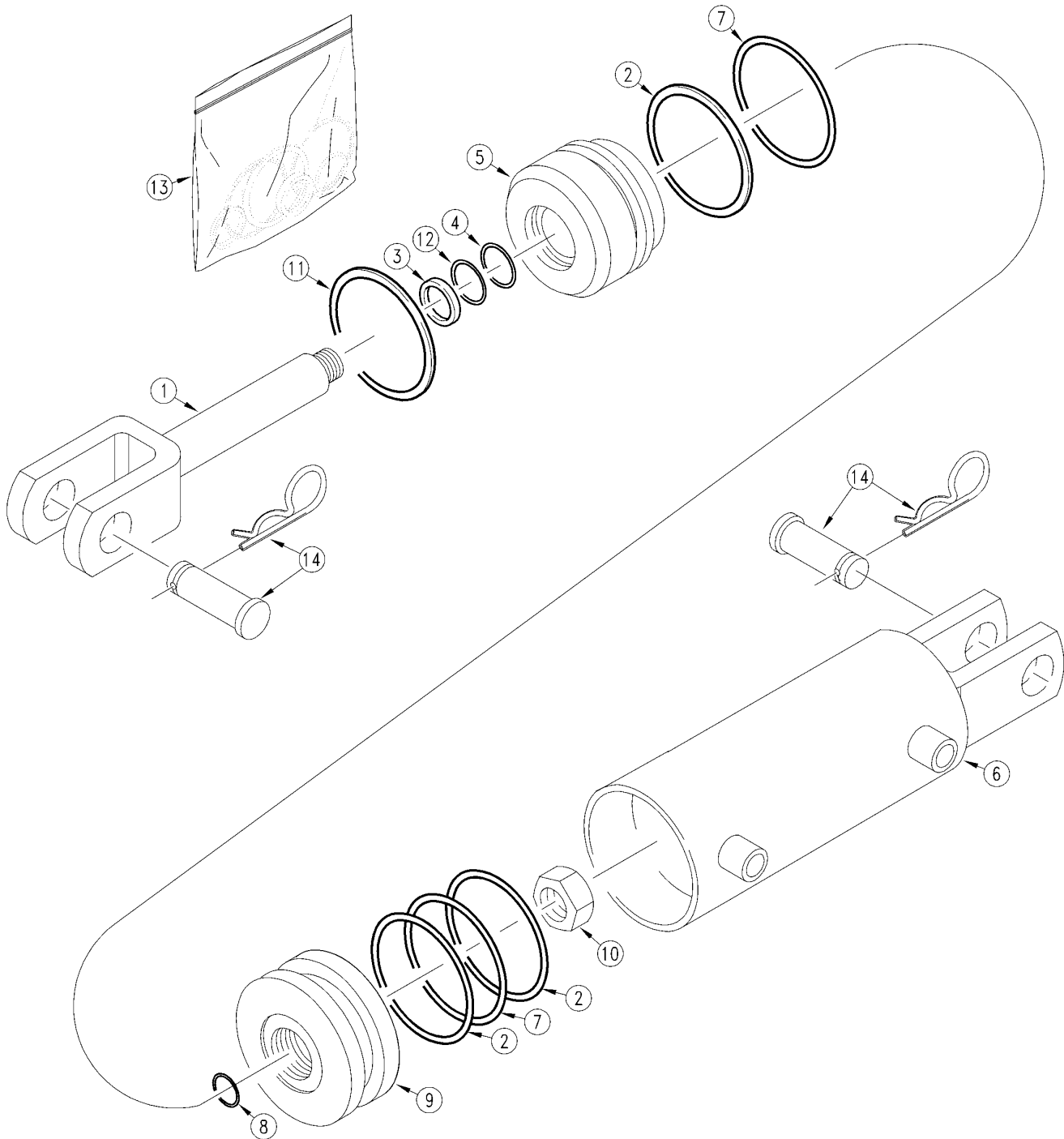
---

**Applies to PR1660, PR1672, PR1690**

<b>Ref</b>	<b>Part No.</b>	<b>Part Description</b>	<b>Comments</b>	<b>Revision</b>
	dwg21324	Drawing Image Number		
	314-234A	HYDRAULIC ANGLING		
	314-235A	MANUAL ANGLING		
		*		
1.	805-004C	PIN CLEVIS 1 X 2 3/4 USABLE LG		
2.	810-005C	CYL 2X8X1.12 ROD		
3.	811-119C	EL 3/8MNPT 9/16MJIC		
4.	811-772C	HH1/4R2 060 9/16FJIC 3/4MORB		
5.	838-094C	DECAL WARNING HYD PRESS LONG		
6.	890-177C	RATCHET JACK - HEAVY DUT		

### Hydraulic Cylinder (810-005C)

Applies to PR1660, PR1672, PR1690



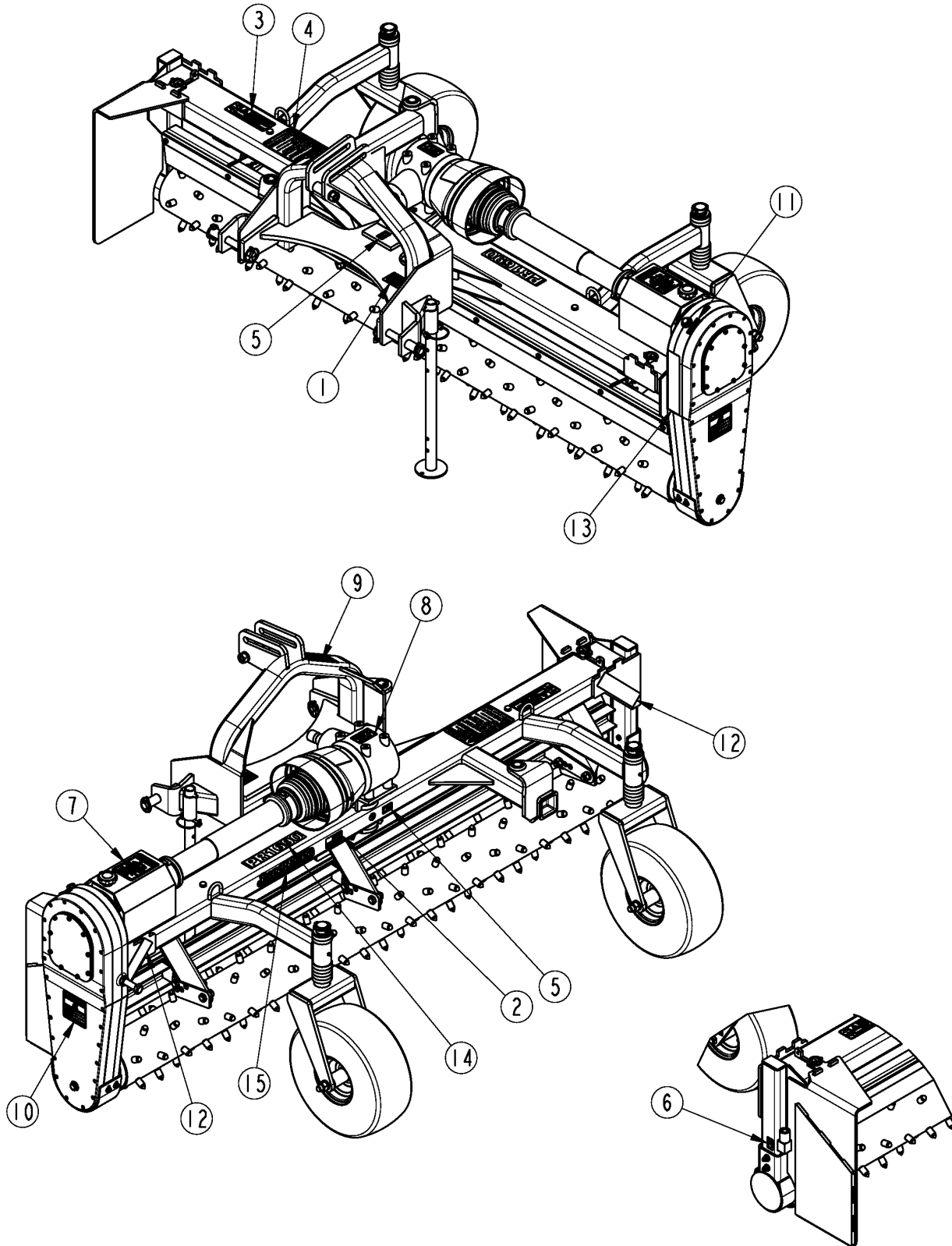
14078

**Hydraulic Cylinder (810-005C)****Applies to PR1660, PR1672, PR1690**

Ref	Part No.	Part Description	Comments	Revision
	Dwg 14078	Drawing Image Number		
	810-005C	CYL 2X8X1.12 ROD SINGLE ACTING *		
1.	0A002526	EGY ROD 1.125DIA W/C		
1.	A-2526	RPBY 0A002526	Obsolete	
2.		BACKUP RING 2" OD	Only found in seal kit 13.	
3.		WIPER ROD	Only found in seal kit 13.	
4.		O-RING 1 1/8" ID X 1 3/8"OD	Only found in seal kit 13.	
5.	A-1906	EGY PISTON ROD GUIDE		
6.	B-988	EGY CYLINDER BODY		
7.		O-RING 1 5/8" ID X 2"OD	Only found in seal kit 13.	
8.		O-RING 3/4" ID X 7/8" OD	Only found in seal kit 13.	
9.	A-1845	EGY PISTON		
10.	82464	EGY 7/8-14UNF REG HEX LOCK NUT		
11.	83198	EGY RETAINER RING INTERNAL		
12.		BACKUP RING 1 3/8" OD	Only found in seal kit 13.	
13.	810-012C	CYL SEAL KIT 2 X 8 (ENERGY)		
14.	805-004C	PIN CLEVIS 1 X 2 3/4 USABLE LG		

## Decal Placement

Applies to PR1660, PR1672, PR1690



24502

***Decal Placement*****Applies to PR1660, PR1672, PR1690**

<b>Ref</b>	<b>Part No.</b>	<b>Part Description</b>	<b>Comments</b>	<b>Revision</b>
	Dwg 24502	Drawing Image Number		
1.	818-130C	DECAL CAUTION 540 RPM		
2.	818-190C	DECAL FLAG		
3.	818-254C	DECAL DANGER ROTATING ROLLER		
4.	818-255C	DECAL WARNING RAKE GEN SAFETY		
5.	818-298C	DECAL GREASE 25HRS BLACK/WHITE		
6.	818-349C	DECAL GREASE 10 HRS LH		
7.	818-552C	DECAL DANGER PTO DRIVELINE		
8.	818-862C	DECAL 5 YEAR GEARBOX WARRANTY		
9.	838-094C	DECAL WARNING HYD PRESS LONG		
10.	838-111C	DECAL DANGER MOVING PARTS		
11.	838-415C	DECAL SHELL GADUS S2 V220 00		
12.	838-614C	DECAL REFLECTOR RED 2X9	S/N 819231+ PR1690 S/N 866783+ PR1660 & PR1672	
13.	838-615C	DECAL REFLECTOR AMBER 2X9	S/N 819231+ PR1690	
13.	818-229C	DECAL AMBER REFLECTOR	S/N 819230- PR1690	
14.	838-572C	DECAL PR1660 GOLD		
14.	848-249C	RPBY 838-572C	Obsolete	
14.	838-573C	DECAL PR1672 GOLD		
14.	848-250C	RPBY 838-573C	Obsolete	
14.	838-827C	DECAL PR1690 GOLD		
14.	848-251C	RPBY 838-827C	Obsolete	
15.	848-159C	DECAL LANDPRIDE 10" BROWN/GOLD	Orange Unit	
15.	818-897C	RPBY 848-159C	Beige Unit	

***Land Pride Touch-up Paints***

---

Applies to PR1660, PR1672, PR1690

**No diagram associated with this Parts List**

**Land Pride Touch-up Paints****Applies to PR1660, PR1672, PR1690**

<b>Ref</b>	<b>Part No.</b>	<b>Part Description</b>	<b>Comments</b>	<b>Revision</b>
1.	821-011C	LP BEIGE SPRAY CAN	Spray can	
1.	821-070C	GLOSS BLACK SPRAY CAN	Spray can	
1.	821-054C	MED. RED SPRAY TRCK/CTR	Spray can	
1.	821-058C	GREEN SPRAY CUTTERS	Spray can	
1.	821-066C	ORANGE SPRAY CAN	Spray can	
1.	821-067C	BLUE SPRAY CAN	Spray can	
1.	821-080C	PAINT ALUMINUM/ZINC SPRAY CAN	Spray can	
2.	821-011CTU	LP BEIGE TOUCH-UP 5OZ	Touch-up bottle with brush	
2.	821-070CTU	GLOSS BLACK TOUCH-UP 5OZ	Touch-up bottle with brush	
2.	821-054CTU	MED RED TOUCH-UP 5OZ	Touch-up bottle with brush	
2.	821-058CTU	GREEN TOUCH-UP 5OZ	Touch-up bottle with brush	
2.	821-066CTU	ORANGE TOUCH-UP 5OZ	Touch-up bottle with brush	
2.	821-067CTU	BLUE TOUCH-UP 5OZ	Touch-up bottle with brush	
2.	821-080CTU	PAINT ALUMINUM/ZINC TOUCH UP	Touch-up bottle with brush	
3.	821-011CQT	LP BEIGE QUART	Quart can	
3.	821-070CQT	GLOSS BLACK QUART	Quart can	
3.	821-054CQT	MED RED QUART	Quart can	
3.	821-058CQT	GREEN QUART	Quart can	
3.	821-066CQT	ORANGE QUART	Quart can	
3.	821-067CQT	BLUE QUART	Quart can	
3.	821-080CQT	PAINT ALUMINUM/ZINC QUART	Quart can	
4.	821-011CGL	LP BEIGE GALLON	Gallon can	
4.	821-070CGL	GLOSS BLACK GALLON	Gallon can	
4.	821-054CGL	MED RED GALLON	Gallon can	
4.	821-058CGL	GREEN GALLON	Gallon can	
4.	821-066CGL	ORANGE GALLON	Gallon can	
4.	821-067CGL	BLUE GALLON	Gallon can	
4.	821-080CGL	PAINT ALUMINUM/ZINC GALLON	Gallon can	



# Part Number Index

The Part Number Index is a numeric index of all part numbers included in this manual. The index shows what page(s) the part is used on.

Part Number	Page	Part Number	Page	Part Number	Page	Part Number	Page
* .....	33, 37, 39, 41, 43	1877023 .....	31	314-320D .....	17	804-202C .....	19, 21, 23, 25
0.141.7105.00 .....	39	1877042 .....	27	314-321D .....	11	805-004C .....	41, 43
0.247.7201.00 .....	39	1885703 .....	27, 29, 31	315-733D .....	19, 21, 23, 25	805-015C .....	7
0.253.7107.00 .....	39	1885704 .....	27, 29, 31	321-014H .....	7, 9, 11	805-103C .....	7
0.304.0302.00 .....	39	1885709 .....	27, 29, 31	321-069D .....	7	805-126C .....	7
0.304.1302.00 .....	39	190.000.016 .....	33	321-074D .....	9	805-155C .....	7
0.304.3000.00 .....	39	190.000.019 .....	33	322-009D .....	7	805-180C .....	13, 15
0.304.5000.00 .....	39	190.000.098 .....	33	50-015S6Y .....	21, 23, 25	805-255C .....	7
0.304.6000.00 .....	39	190.000.099 .....	33	5181861 .....	19	805-341C .....	19, 21, 23, 25
015300000042 .....	19	190.000.394 .....	33	53-170 .....	21, 23, 25	805-383C .....	7
044321 .....	27, 29, 31	1945045N .....	27	6040816 .....	35	808-131C .....	13, 15
0631188014 .....	19	1955047N .....	27	6040818 .....	37	809-202C .....	13
0A002526 .....	43	30-437 .....	21, 23, 25	6331065 .....	29, 31	809-298C .....	15
1004220 .....	27, 29, 31	30-438 .....	21, 23, 25	6331075 .....	29, 31	810-005C .....	41, 43
1004224 .....	27	30-439S2 .....	21, 23, 25	6402901 .....	37	810-012C .....	43
1004225 .....	27, 29, 31, 35	300-171H .....	7	8.0.1.00871 .....	39	811-019C .....	39
1004227 .....	37	300-171H82 .....	7	8.0.9.00127 .....	39	811-119C .....	41
1005020 .....	27, 29, 31	303-017S .....	7	8.4.1.01141 .....	39	811-336C .....	39
1015010 .....	27, 29, 31	308-110S .....	7	8.5.1.00583 .....	39	811-772C .....	41
1015012 .....	27, 29, 31	314-095H .....	9	8.6.5.00006 .....	39	814-121C .....	19
1115010 .....	27	314-150H .....	13, 15, 17	8.7.3.00055 .....	39	814-186C .....	21, 23, 25
1134011 .....	35, 37	314-172H .....	9	8.7.3.00603 .....	39	815-115C .....	11, 13
1134012 .....	35, 37	314-188H .....	13, 15	800-053C .....	13, 15	815-120C .....	13, 15
1215733 .....	27, 29, 31	314-190D .....	13, 15	800-058C .....	7	815-122C .....	9, 11
1215735 .....	27, 29, 31	314-192H .....	23	800-066C .....	13, 15	816-068C .....	13, 15
1216901 .....	35, 37	314-193H .....	7	800-073C .....	7	816-319C .....	13, 15
122.350.031 .....	33	314-194H .....	7	800-080C .....	7, 19, 21, 23, 25	816-417C .....	13
122.350.514 .....	33	314-198H .....	9	800-309C .....	9, 11	816-418C .....	13
13-304U .....	21, 23, 25	314-202H .....	9	800-494C .....	7	817-358C .....	17
1385001 .....	35, 37	314-208H .....	7	801-119C .....	17	817-395C .....	9
1385609 .....	29, 35	314-209D .....	13, 15	802-013C .....	7	817-418C .....	13, 15
1385709 .....	31, 37	314-210S .....	21, 23, 25	802-014C .....	13, 15	817-422C .....	7, 19
141.025.363 .....	33	314-211H .....	19, 21, 23, 25	802-022C .....	9, 11	817-547C .....	9
1422512637520 .....	33	314-215H .....	7	802-024C .....	7, 9, 11	817-652C .....	11
1422560637520 .....	33	314-222D .....	17	802-038C .....	13, 15	818-130C .....	45
146.251.001 .....	33	314-223H .....	7	802-051C .....	9, 11	818-190C .....	45
151.015.011 .....	33	314-223H82 .....	7	802-067C .....	13, 15	818-229C .....	45
151.015.012 .....	33	314-224S .....	19	802-068C .....	7	818-254C .....	45
151.015.012.1 .....	33	314-231H .....	9	802-078C .....	13, 15	818-255C .....	45
151.015.017 .....	33	314-233H .....	9	802-091C .....	23	818-298C .....	45
151.015.018 .....	33	314-234A .....	41	802-160C .....	7, 11, 17	818-349C .....	45
1521502080710 .....	33	314-235A .....	41	802-205C .....	7	818-540C .....	27, 29, 31
1526023 .....	29	314-236H .....	7	802-258C .....	13, 15, 17	818-552C .....	27, 29, 31, 45
1526033 .....	31	314-236H82 .....	7	802-272C .....	19, 21, 23, 25	818-862C .....	45
1527023 .....	29	314-238H .....	7	802-314C .....	17, 39	818-897C .....	45
1527033 .....	31	314-238H82 .....	7	802-470C .....	13, 15	821-011C .....	47
153.150.108 .....	33	314-241H .....	7	802-574C .....	13, 15	821-011CGL .....	47
165.000.501 .....	33	314-241H82 .....	7	802-759C .....	13	821-011CQT .....	47
165.000.502 .....	33	314-243H .....	11	803-013C .....	9, 11	821-011CTU .....	47
165.000.628 .....	33	314-244H .....	11	803-014C .....	7, 9, 11	821-045C .....	13, 15
1704065 .....	35, 37	314-245H .....	11	803-020C .....	13, 15, 23	821-049C .....	13, 15
1705009 .....	35, 37	314-253D .....	19	803-024C .....	9, 11	821-054C .....	47
1705027 .....	29, 31	314-254A .....	17	803-027C .....	7, 19, 21, 23, 25	821-054CGL .....	47
1705029 .....	29, 31	314-254D .....	19	803-048C .....	13, 15	821-054CQT .....	47
1785710 .....	27, 29, 31	314-256H .....	7	803-084C .....	7	821-054CTU .....	47
1785711 .....	27, 29, 31	314-257D .....	13, 15	803-147C .....	13, 15, 17	821-058C .....	47
180.014.022 .....	33	314-257H .....	7	803-153C .....	13, 15	821-058CGL .....	47
180.015.008 .....	33	314-258H .....	13, 15	803-168C .....	7	821-058CQT .....	47
180.015.009 .....	33	314-259H .....	11	803-169C .....	13, 15	821-058CTU .....	47
180.015.019 .....	33	314-261D .....	13, 15	803-263C .....	7, 11, 17	821-066C .....	47
180.015.020 .....	33	314-274D .....	13, 15	804-006C .....	13, 15	821-066CGL .....	47
180.015.021 .....	33	314-274D82 .....	13, 15	804-009C .....	17	821-066CQT .....	47
180.015.021.1 .....	33	314-275D .....	13, 15	804-010C .....	17	821-066CTU .....	47
180.015.130 .....	33	314-275D82 .....	13, 15	804-012C .....	7, 9, 11	821-067C .....	47
180.016.025 .....	33	314-276D .....	13, 15	804-013C .....	7, 9, 11, 13, 15	821-067CGL .....	47
1806010 .....	35, 37	314-293D .....	13, 15	804-015C .....	13, 15, 17, 23	821-067CQT .....	47
1876013 .....	29	314-293D82 .....	13, 15	804-022C .....	9, 11	821-067CTU .....	47
1876023 .....	31	314-299D .....	13	804-023C .....	7, 19, 21, 23, 25	821-070C .....	47
1876042 .....	27	314-301D .....	9	804-027C .....	7	821-070CGL .....	47
1877013 .....	29	314-315D .....	11	804-036C .....	7	821-070CQT .....	47





## Part Number Index (continued)

<u>Part Number</u>	<u>Page</u>
821-070CTU .....	47
821-080C .....	47
821-080CGL .....	47
821-080CQT .....	47
821-080CTU .....	47
822-082C .....	13, 15
822-166C .....	39
822-182C .....	9, 11
82464 .....	43
826-067C .....	17, 39
826-240C .....	17
826-434C .....	17, 27
826-435C .....	17, 29
826-436C .....	17, 31
826-437C .....	17, 33
826-562C .....	27
826-563C .....	29
826-565C .....	31
83198 .....	43
838-094C .....	41, 45
838-111C .....	45
838-415C .....	45
838-572C .....	45
838-573C .....	45
838-614C .....	45
838-615C .....	45
838-827C .....	45
848-159C .....	45
848-249C .....	45
848-250C .....	45
848-251C .....	45
890-005C .....	7
890-011C .....	7
890-177C .....	41
890-264C .....	19, 21, 25
890-767C .....	9, 11
A-1845 .....	43
A-1906 .....	43
A-2526 .....	43
A.259.500 .....	39
A244.501 .....	39
B-988 .....	43
Dwg 10602 .....	39
Dwg 14078 .....	43
Dwg 21278 .....	7
Dwg 21279 .....	9
Dwg 23988 .....	11
Dwg 23989 .....	15
Dwg 24502 .....	45
dwg21280 .....	13
dwg21281 .....	23
dwg21323 .....	19
dwg21324 .....	41
dwg21337 .....	27
dwg21338 .....	31
dwg21339 .....	29
dwg21340 .....	35
dwg23926 .....	21, 25
dwg23992 .....	33
dwg24500 .....	17
dwg35176 .....	37
TR-412 .....	19



Great Plains Manufacturing, Inc.

Corporate Office: P.O. Box 5060  
Salina, Kansas 67402-5060 USA

[www.landpride.com](http://www.landpride.com)

---