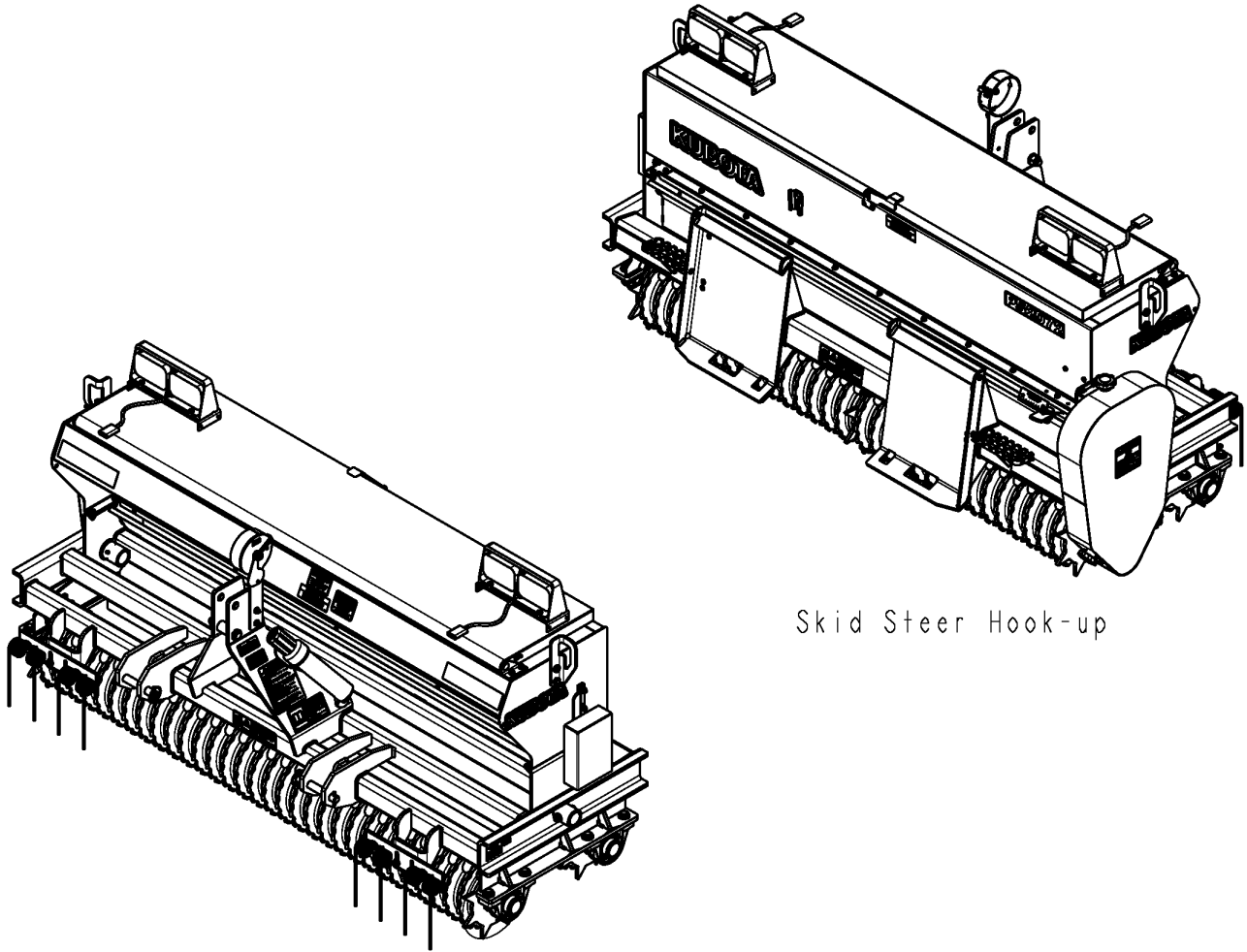


Primary Seeder

AP-PS2072 & AP-PS2086



Skid Steer Hook-up

3-Point Hook-up

72165

313-805PK
Parts Manual

Kubota®



Read the Operator's Manual entirely. When you see this symbol, the subsequent instructions and warnings are serious - follow without exception. Your life and the lives of others depend on it!

© Copyright 2019 Printed 02/18/19

Cover photo may show optional equipment not supplied with standard unit.



Table of Contents

Section 1: Introduction.....	4
Using This Manual.....	4
Manual Replacement Information.....	4
Manual Revisions.....	4
Touch-up Paint.....	4
Hardware Legend.....	5
Replacement Hardware.....	5
Serial Numbers.....	5
Part Number Service Coding.....	5
Section 2: Frames & Components.....	6
Hitch Frame & Components.....	6
Inner Frame & Rollers.....	8
Level Run Indicator.....	10
Manual Tube.....	12
Roller Components (AP-PS2072).....	14
Roller Components (AP-PS2086).....	16
Section 3: Seed Box.....	18
Seed Box Assembly.....	18
Seed Cup.....	20
Seed Cup Assembly.....	22
Seed Rate Adjustment Assembly.....	24
Section 4: Drive.....	26
Agitator Shaft Drive.....	26
Seed Cup Drive.....	28
Section 5: Options & Accessories.....	30
Acre Meter Option.....	30
Light Kit Option.....	32
Section 6: Decals.....	34
Decals.....	34
Kubota Touch-up Paints.....	36
Part Number Index.....	38

© Copyright 2019. All rights reserved.

Kubota provides this publication “as is” without warranty of any kind, either expressed or implied. While every precaution has been taken in the preparation of this manual, Kubota assumes no responsibility for errors or omissions. Neither is any liability assumed for damages resulting from the use of the information contained herein. Kubota reserves the right to revise and improve its products as it sees fit. This publication describes the state of this product at the time of its publication, and may not reflect the product in the future. The illustrations in this manual are not intended for safe and proper assembly or disassembly of equipment. The illustrations are intended for ordering parts only.

Kubota is registered trademark.

All other brands and product names are trademarks or registered trademarks of their respective holders.

Printed in the United States of America.



Alphabetized Table of Contents

A	
Acre Meter Option.....	30
Agitator Shaft Drive.....	26
D	
Decals.....	34
H	
Hitch Frame & Components.....	6
I	
Inner Frame & Rollers.....	8
K	
Kubota Touch-up Paints.....	36
L	
Level Run Indicator.....	10
Light Kit Option.....	32
M	
Manual Tube.....	12
R	
Roller Components (AP-PS2072).....	14
Roller Components (AP-PS2086).....	16
S	
Seed Box Assembly.....	18
Seed Cup.....	20
Seed Cup Assembly.....	22
Seed Cup Drive.....	28
Seed Rate Adjustment Assembly.....	24

General Information

Using This Manual

This manual is divided into sections. The first section contains General Information. The remaining sections divide the machine into segments (i.e. Frames, Drives, Hydraulics, etc.) which illustrate and list all parts. A Parts Number Index is located at the back of the book.

The Kubota parts in this manual are specially designed for this machine and should be replaced with Kubota parts only.

The information in this manual is current at time of printing. Some parts may change to assure top performance.

Right-hand and left-hand as used in this manual are determined by facing the direction the machine will travel while in use.

Below is an example of two facing pages from a parts manual. Familiarize yourself with the type of information contained on these pages.

Manual Replacement Information

Replacement manuals are available. Refer to our website at www.landpride.com for additional information. Our website continues to provide the most up-to-date manuals available.

Touch-up Paint

Repaint parts where paint is worn or scratched to prevent rust. Aerosol cans and touch-up bottles with brush applicator are available through your local dealer. Also available are quart and gallon size paints. Add QT or GL to end of the Aerosol P/N.

Kubota color descriptions and part numbers are listed on the "Kubota Touch-up Paints" page in the "Decals" section of this book.



General Information

Hardware Legend

AR	As Required
BLADE	Blade Bolt
C	Cap Screw
CP	Cotter Pin
CPHSSS	Cup Point Hex Socket Set Screw
CPSHSS	Cup Point Square Head Set Screw
CPSQHSS	Cup Point Square Head Set Screw
CRFCHMS3	Cross Recess Flat Countersunk Head Machine Screw
CRPHMS	Cross Recess Pan Head Machine Screw
CRPHTFS	Cross Recess Pan Head Thread Forming
CRRHMS	Cross Recess Round Head Machine Screw
CRTHMS	Cross Recess Truss Head Machine Screw
CSNB	Countersunk Square Neck Bolt
FHMS	Flat Head Machine Screw
FTC	Full Thread Cap Screw
H	Hex Nut
HCLN	Hex Center Lock Nut
HFLCS	Hex Flange Lock Cap Screw
HFS	Hex Flange Screw
HFSLN	Hex Flange Serrated Lock Nut
HFSS	Hex Flange Serrated Screw
HHCS	Hex Head Cap Screw or Metric Bolt
HSBHCS	Hex Socket Button Head Cap Screw
HSFCHCS	Hex Socket Flat Countersunk Head Cap Screw
HSHCS	Hex Socket Head Cap Screw
HSSS	Hex Socket Head Screw
HTLN	Hex Top Lock Nut
HWHCS	Hex Washer Head Cap Screw

HWHMS	Hex Washer Head Machine Screw
HXBHCS	Hex Socket Button Head Cap Screw
J	Hex Jam Nut
JIC	37 Degree Tapered Thread
L	Helical Spring Lock Washer
LUG	Lug Bolt
NFC	National Fine Cap Screw
NPSM	National Pipe Straight Mechanical
NPTF	National Pipe Taper Fuel
P	Wide Plain Washer
PHMS	Pan Head Machine Screw
PLOW	Plow Bolt
RHMS	Round Head Machine Screw
RHSNB	Round Head Square Neck Bolt
SCREW LEVELING	Leveling Screw
SCREW THUMB	Thumb Screw
SCREW WELD	Weld Screw
SFCHMS	Slotted Flat Countersunk Head Machine Screw
SFHMS	Slotted Fillister Head Machine Screw
SP	Special
SP SCREW	Special Screw
SQHSS	Square Head Set Screw
SRHMS	Slotted Round Head Machine Screw
SSS	Socket Set Screw
STCS	Self Tapping Cap Screw
STHMS	Slotted Truss Head Machine Screw
WHEEL	Wheel Studs and Hub Long Bolts
WING	Wing Bolt

Replacement Hardware

The **Hardware Legend** above lists hardware abbreviations used in the parts list. All bolts and nuts are Grade 5 unless otherwise noted. The use of improper grades of hardware can result in personal injury, damage to equipment, or loss of property.

Part Number Service Coding

Within the parts list some part numbers are coded for revisions and interchangeability. See notations in revision column.

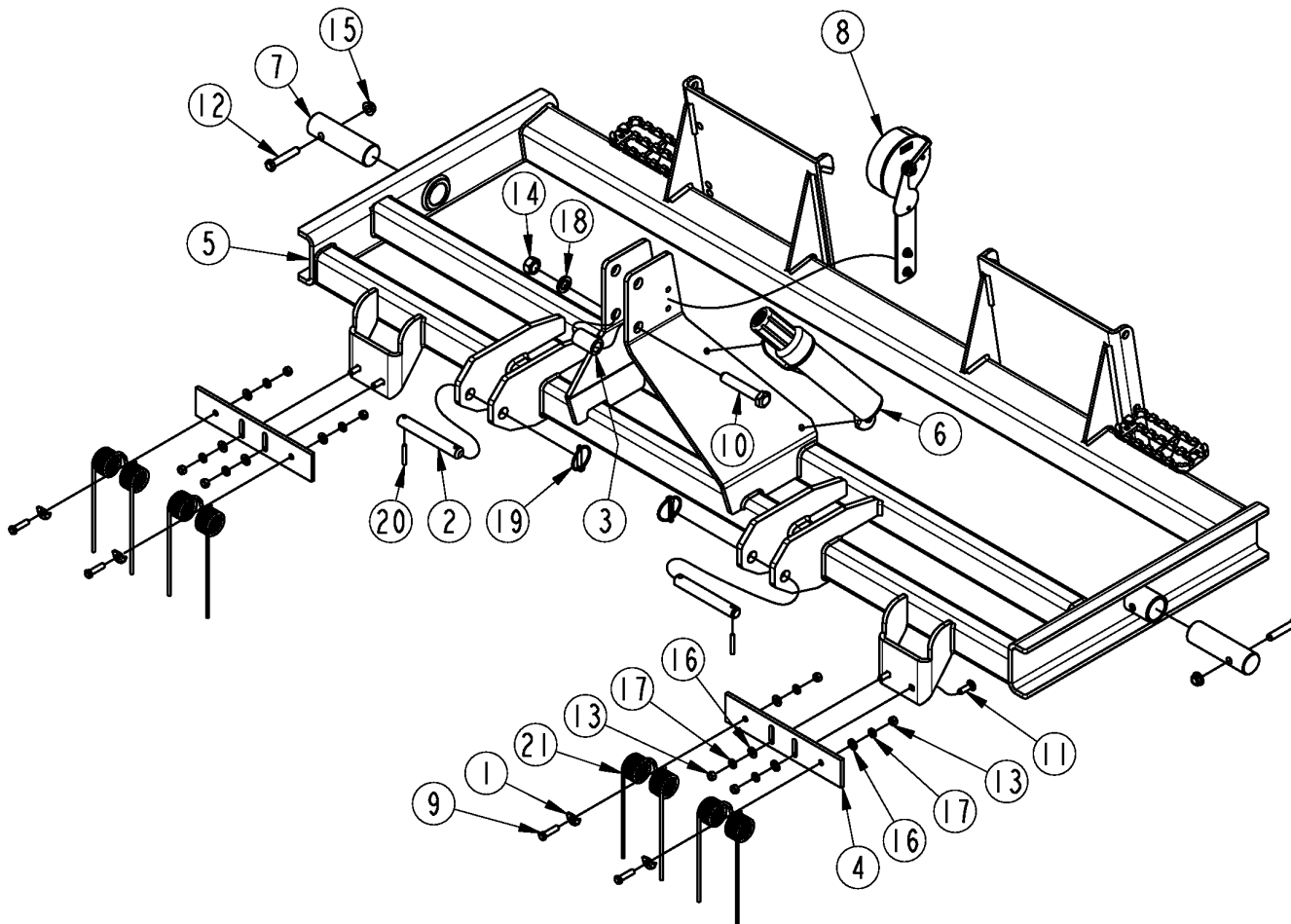
Serial Numbers

Always use the serial and model number when ordering parts. Refer to the Operator's Manual for serial number plate location.

- (S/N 20001+) Includes serial numbers 20001 and above (to the latest number)
- (S/N 10001 to 20000) Includes serial numbers between and including 10001 and 20000
- (S/N 10000-) Includes serial numbers 10000 and below (to the earliest number)

Hitch Frame & Components

Applies to AP-PS2072, AP-PS2086



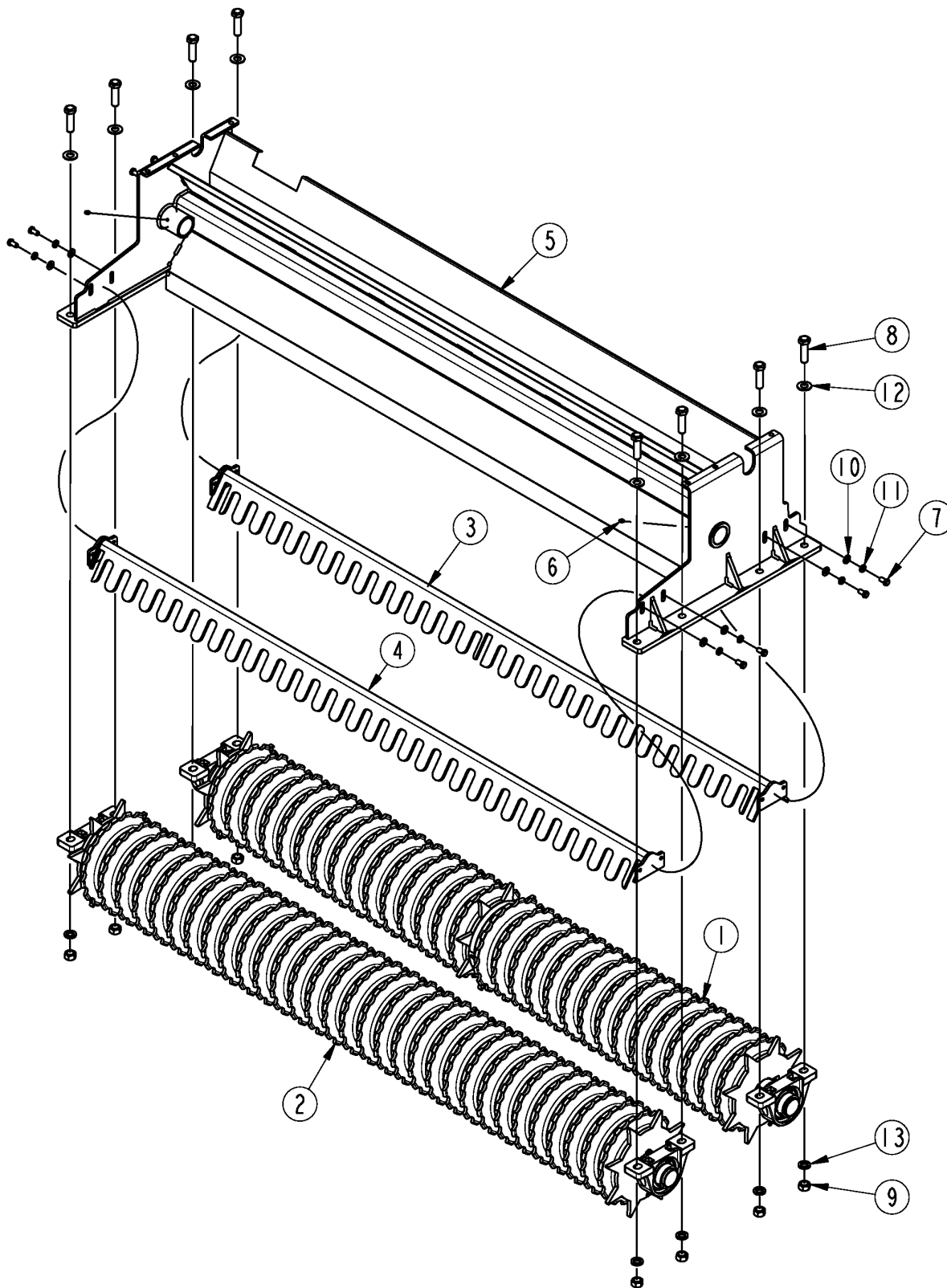
72167

Hitch Frame & Components**Applies to AP-PS2072, AP-PS2086**

Ref	Part No.	Part Description	Comments	Revision
	Dwg 72167	Image No.		
1.	308-180D	TINE RETAINER WASHER		
2.	308-183D	LOWER HITCH PIN		
3.	308-400D	SPACER 1 1/4OD X 13/16ID X 2LG		
4.	313-060D	TINE MOUNTING PLATE		
5.	313-794H	PIVOT HITCH FRAME 72"	AP-PS2072	
5.	313-835H	PIVOT HITCH FRAME 86"	AP-PS2086	
6.	326-095S	MANUAL CONTAINER KIT, 1 1/4		
7.	329-185D	PIVOT SHAFT		
8.	370-446S	LEVEL RUN INDICATOR		
9.	802-022C	HHCS 3/8-16X1 1/2 GR5		
10.	802-068C	HHCS 3/4-10X4 GR5		
11.	802-155C	RHSNB 3/8-16X1 1/4 GR5		
12.	802-226C	HHCS 1/2-13X2 3/4 GR5		
13.	803-014C	NUT HEX 3/8-16 PLT		
14.	803-027C	NUT HEX 3/4-10 PLT		
15.	803-169C	NUT HEX FLG LOCK 1/2-13 PLT		
16.	804-012C	WASHER FLAT 3/8 SAE PLT		
17.	804-013C	WASHER LOCK SPRING 3/8 PLT		
18.	804-023C	WASHER LOCK SPRING 3/4 PLT		
19.	805-015C	PIN LINCH 5/16 X 1 3/4		
20.	805-041C	PIN ROLL 1/4X1 3/4		
21.	807-044C	HARROW DBL TORSION SPRING 8"LG		

Inner Frame & Rollers

Applies to AP-PS2072, AP-PS2086



72169

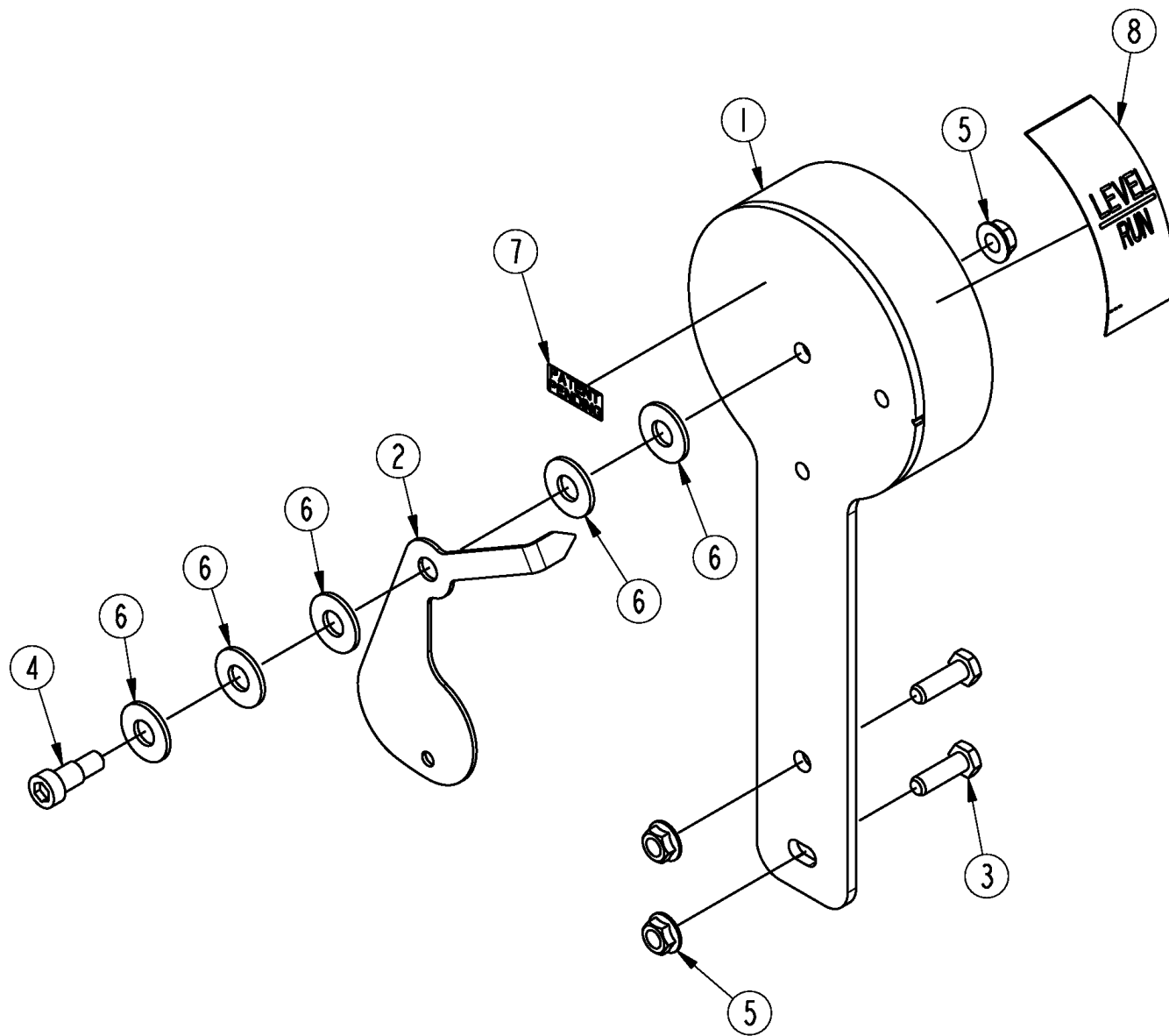
Inner Frame & Rollers

Applies to AP-PS2072, AP-PS2086

Ref	Part No.	Part Description	Comments	Revision
	Dwg 72169	Image No.		
1.	313-797K	ROLLER BUNDLE REAR 72"	AP-PS2072	
1.	313-841K	ROLLER BUNDLE REAR 86"	AP-PS2086	
2.	313-798K	ROLLER BUNDLE FRT 72"	AP-PS2072	
2.	313-842K	ROLLER BUNDLE FRT 86"	AP-PS2086	
3.	313-801H	SCRAPER REAR 72"	AP-PS2072	
3.	313-838H	SCRAPER REAR 86"	AP-PS2086	
4.	313-803H	SCRAPER FRT 72"	AP-PS2072	
4.	313-840H	SCRAPER FRT 86"	AP-PS2086	
5.	313-807H	INNER FRAME 72"	AP-PS2072	
5.	313-836H	INNER FRAME 86"	AP-PS2086	
6.	800-001C	GREASE ZERK STRAIGHT 1/4-28		
7.	802-014C	HHCS 3/8-16X3/4 GR5		
8.	802-057C	HHCS 5/8-11X2 1/4 GR5		
9.	803-021C	NUT HEX 5/8-11 PLT		
10.	804-012C	WASHER FLAT 3/8 SAE PLT		
11.	804-013C	WASHER LOCK SPRING 3/8 PLT		
12.	804-021C	WASHER FLAT 5/8 SAE PLT		
13.	804-022C	WASHER LOCK SPRING 5/8 PLT		

Level Run Indicator

Applies to AP-PS2072, AP-PS2086



72168

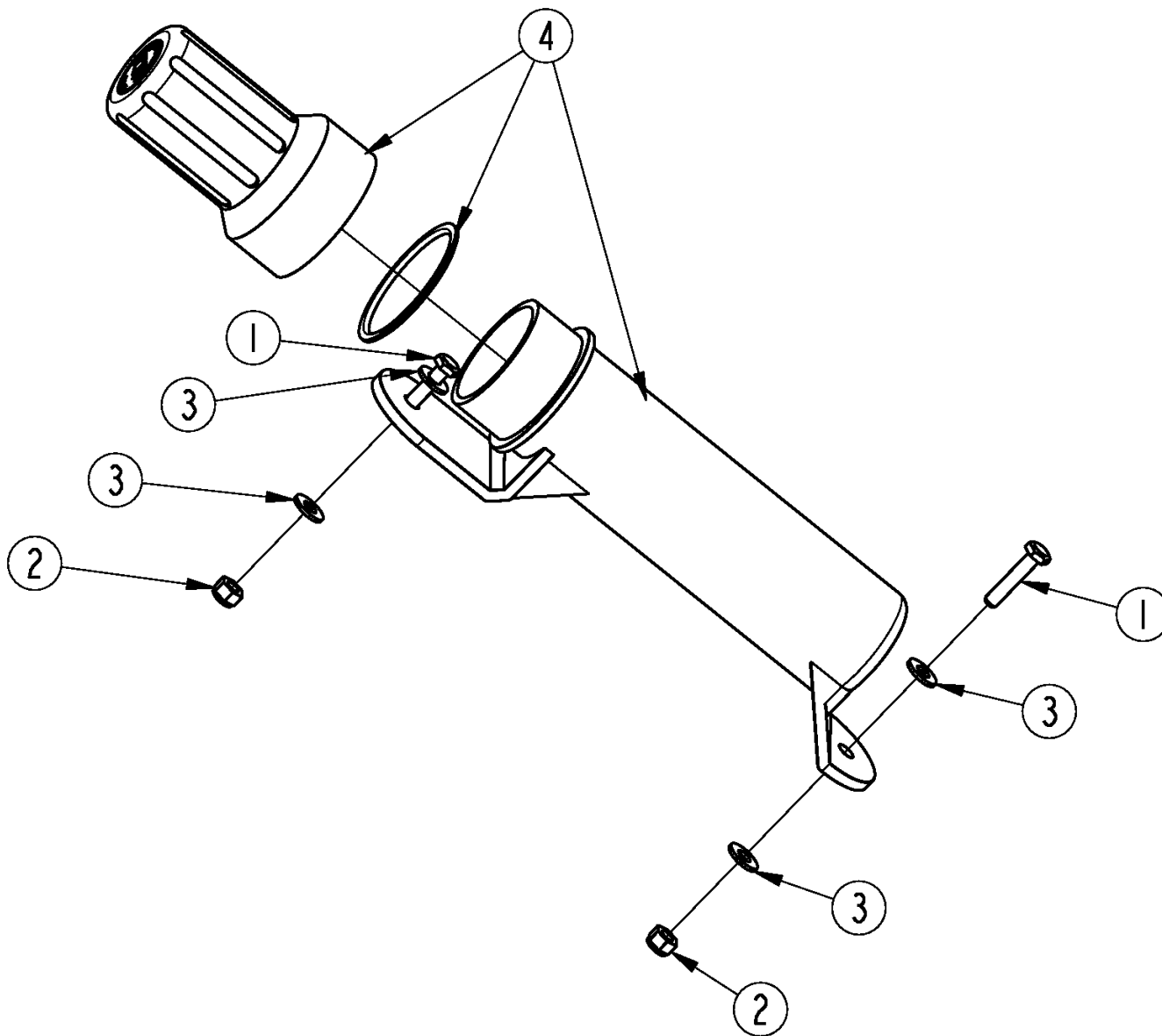
Level Run Indicator

Applies to AP-PS2072, AP-PS2086

Ref	Part No.	Part Description	Comments	Revision
	Dwg 72168 370-446S	Image No. LEVEL RUN INDICATOR *		
1.	321-098H	DEPTH INDICATOR SUPPORT WLDMT		
2.	321-134D	WEIGHTED INDICATOR		
3.	802-159C	HHCS 5/16-18X1 GR5		
4.	802-794C	SHOULDER BOLT 3/8X1/2X5/16-18		
5.	803-043C	NUT HEX WHIZ 5/16-18 PLT		
6.	804-011C	WASHER FLAT 3/8 USS PLT		
7.	818-042C	DECAL PATENT PENDING		
8.	858-238C	DECAL LEVEL RUN		

Manual Tube

Applies to AP-PS2072, AP-PS2086



39163

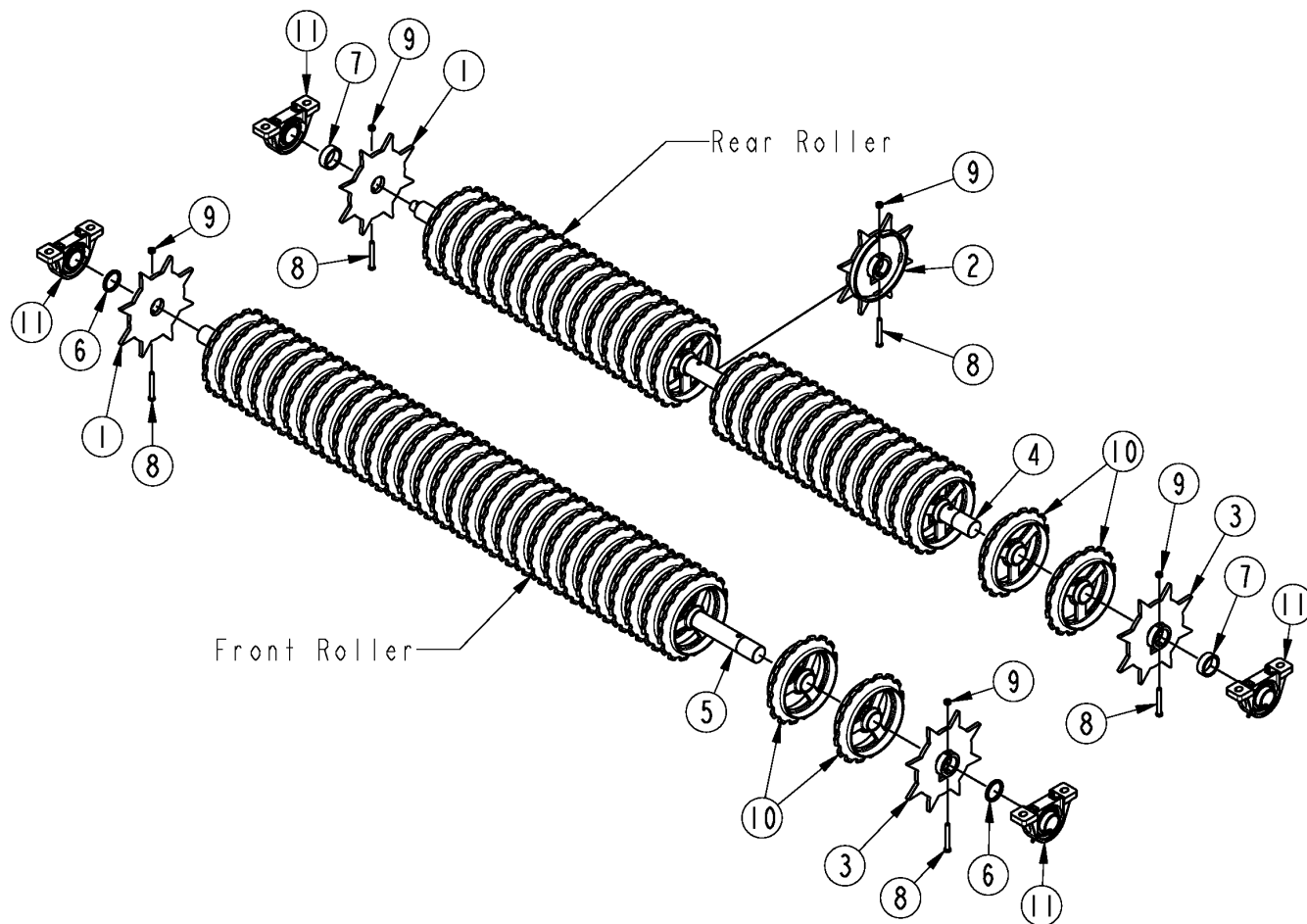
Manual Tube

Applies to AP-PS2072, AP-PS2086

Ref	Part No.	Part Description	Comments	Revision
	Dwg 39163 326-095S	Image No. MANUAL CONTAINER KIT, 1 1/4 *		
1.	802-224C	HHCS 1/4-20X1 1/4 GR5		
2.	803-255C	NUT HEX NYLOCK 1/4-20		
3.	804-007C	WASHER FLAT 1/4 SAE PLT		
4.	816-504C	MANUAL STORAGE CONTAINER		

Roller Components (AP-PS2072)

Applies to AP-PS2072



72172

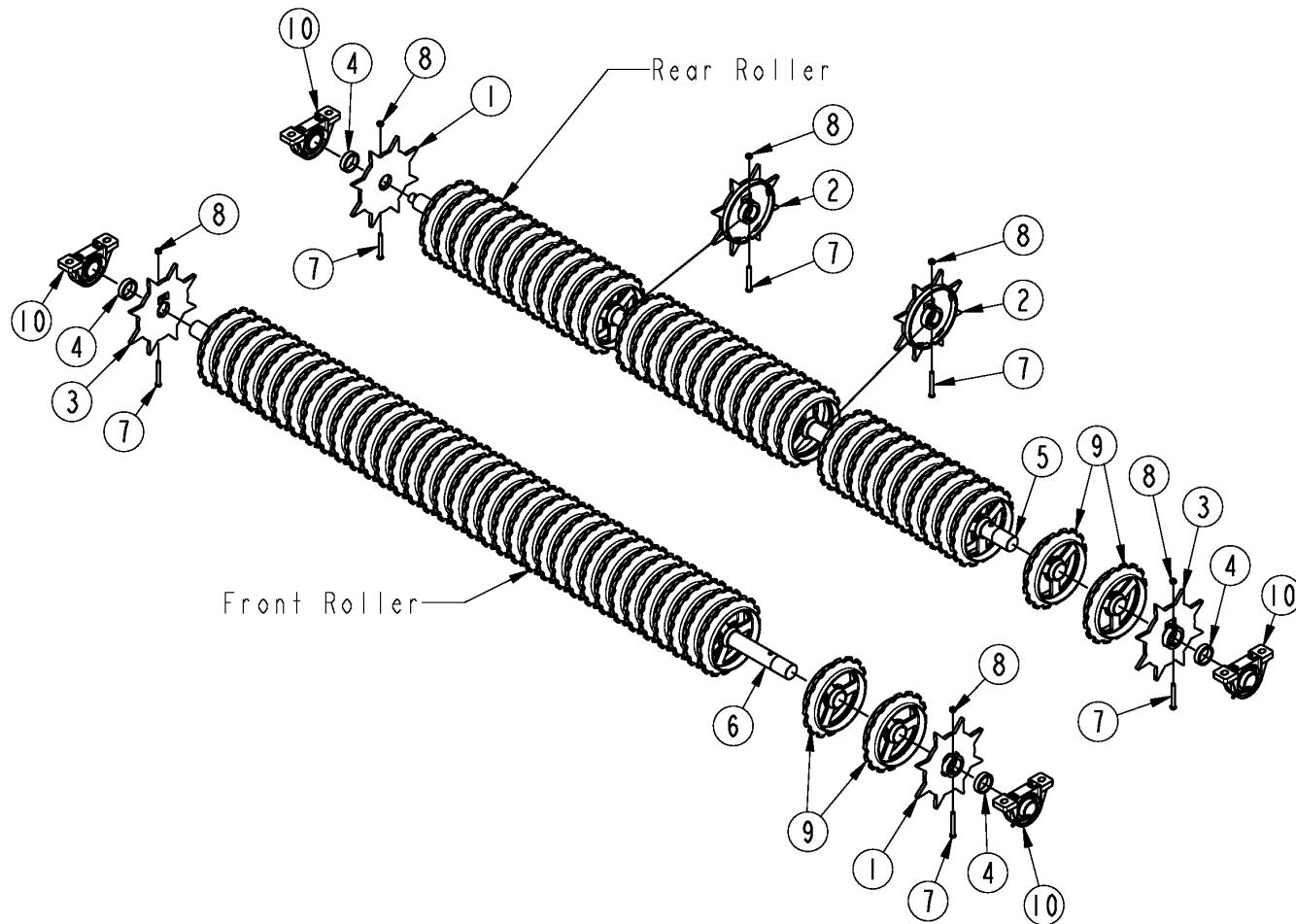
Roller Components (AP-PS2072)

Applies to AP-PS2072

Ref	Part No.	Part Description	Comments	Revision
	Dwg 72172	Image No.		
1.	313-824H	END DRIVE		
2.	313-852H	DRIVE SPIKE SHORT PS		
3.	313-950H	END DRIVE		
4.	329-180D	ROLLER AXLE REAR 72"		
5.	329-184D	ROLLER AXLE FRT 72"		
6.	329-247D	ROLLER SPACER FRT 72"		
7.	329-362D	ROLLER SPACER BUSHING		
8.	802-532C	HHCS 3/8-16X3 GR8		
9.	803-013C	NUT LOCK 3/8-16 PLT		
10.	812-481C	PACKER WHEEL CAST 9		
11.	822-330C	BRG PB 1 3/4" SETSCREW		

Roller Components (AP-PS2086)

Applies to AP-PS2086



72174

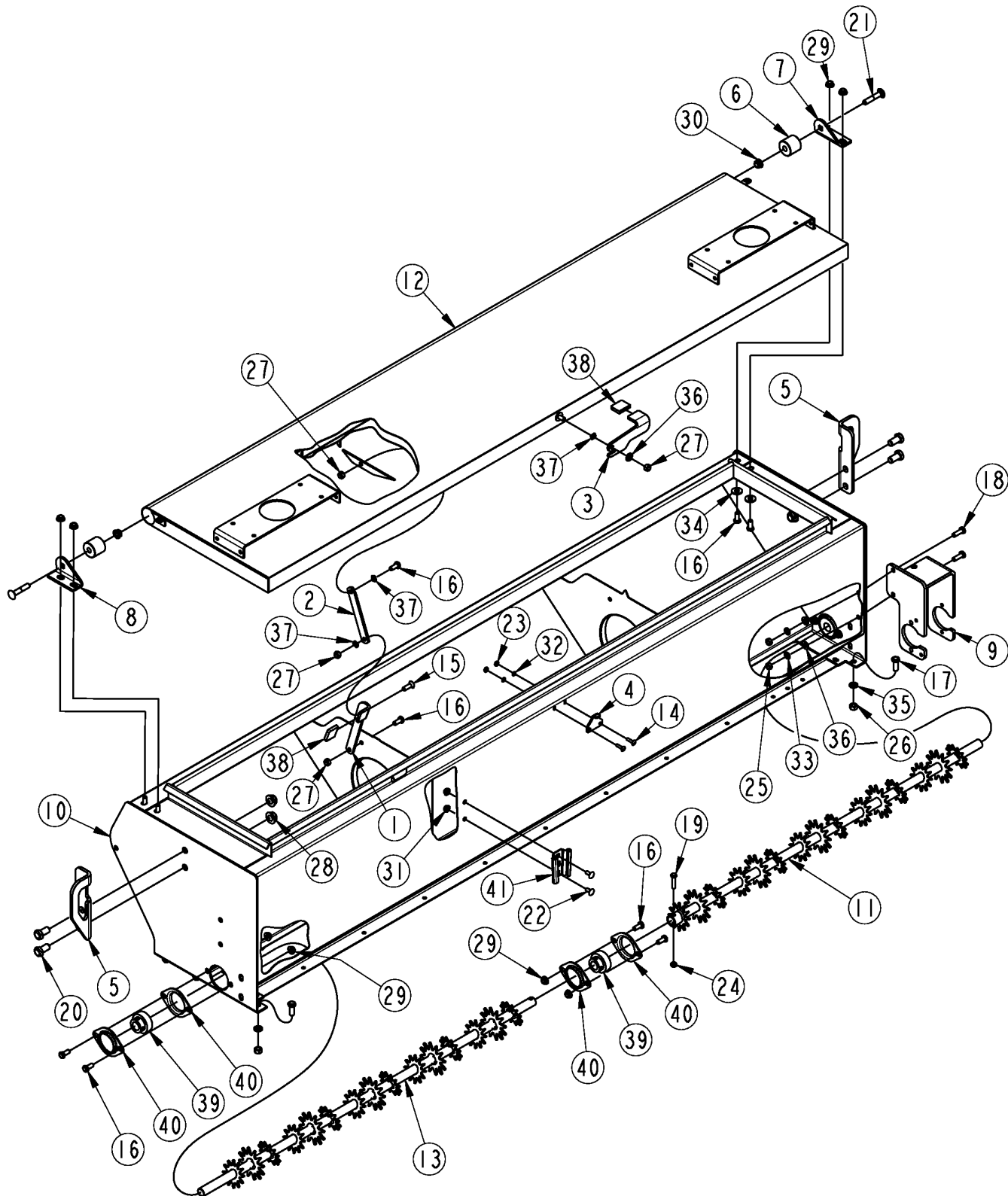
Roller Components (AP-PS2086)

Applies to AP-PS2086

Ref	Part No.	Part Description	Comments	Revision
	Dwg 72174	Image No.		
1.	313-824H	END DRIVE		
2.	313-852H	DRIVE SPIKE SHORT PS		
3.	313-950H	END DRIVE		
4.	329-179D	ROLLER SPACER BUSHING PS		
5.	329-226D	ROLLER AXLE REAR 86"		
6.	329-227D	ROLLER AXLE FRT 86"		
7.	802-532C	HHCS 3/8-16X3 GR8		
8.	803-013C	NUT LOCK 3/8-16 PLT		
9.	812-481C	PACKER WHEEL CAST 9		
10.	822-330C	BRG PB 1 3/4" SETSCREW		

Seed Box Assembly

Applies to AP-PS2072, AP-PS2086



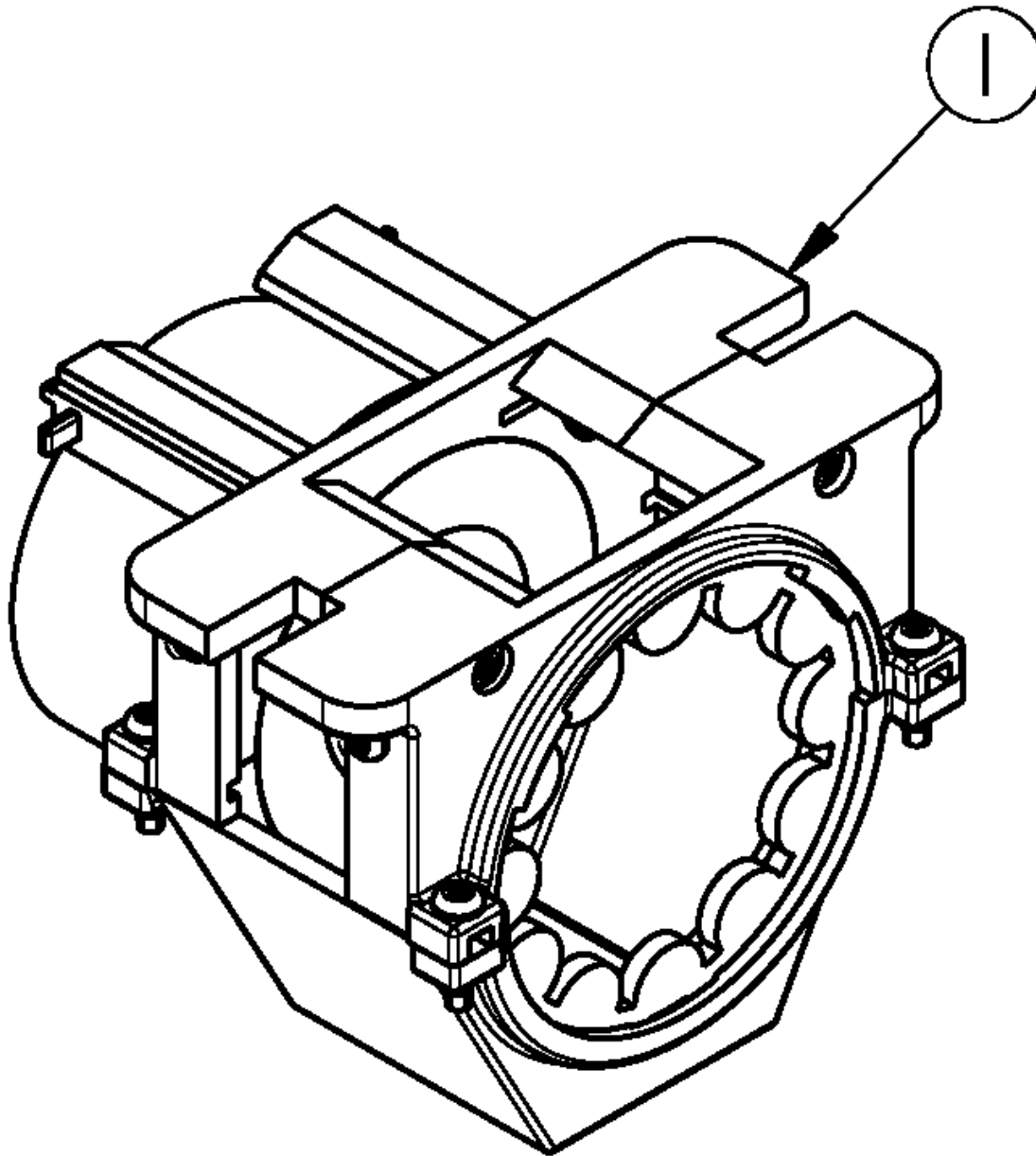
72175

Seed Box Assembly**Applies to AP-PS2072, AP-PS2086**

Ref	Part No.	Part Description	Comments	Revision
	Dwg 72175	Image No.		
1.	179-021D	LID LATCH - LOWER ARM		
2.	179-022D	LID LATCH - UPPER ARM		
3.	179-023D	LID LATCH - HANDLE		
4.	179-030D	REAR LID LATCH STRIKE		
5.	308-193D	OS/PS SLING BKT		
6.	313-186D	LID HINGE PIVOT		
7.	313-704D	RIGHT BRACKET		
8.	313-705D	LEFT BRACKET		
9.	313-821H	BRKT REDUCTION SPRKT		
10.	313-956H	SEED BOX PS 72	AP-PS2072	
10.	313-845H	SEED BOX 86"	AP-PS2086	
11.	313-958H	AGITATOR SHAFT PS 72"	AP-PS2072	
11.	313-951H	AGITATOR SHAFT PS 86"	AP-PS2086	
12.	313-963H	LID WELDMENT, 72" W/LIGHTS	AP-PS2072	
12.	313-973H	LID WELDMENT, 86" W/ LIGHTS	AP-PS2086	
13.	313-985H	AGITATOR SHAFT LH HALF	AP-PS2072	
13.	313-986H	AGITATOR PS 86" LH	AP-PS2086	
14.	801-021C	SCREW RD HD 10-24 X 3/4 PLT		
15.	801-024C	SCREW 5/16-18X82DEG CNTSKX1P		
16.	802-007C	HHCS 5/16-18X3/4 GR5		
17.	802-017C	HHCS 3/8-16X1 GR5		
18.	802-159C	HHCS 5/16-18X1 GR5		
19.	802-224C	HHCS 1/4-20X1 1/4 GR5		
20.	802-258C	HHCS 1/2-13X1 GR5		
21.	802-411C	RHSNB 3/8-16X2 GR5		
22.	802-633C	RHSNB 1/4-20X5/8 PLT		
23.	803-001C	NUT HEX 10-24 PLT		
24.	803-007C	NUT LOCK 1/4-20 PLT		
25.	803-008C	NUT HEX 5/16-18 PLT		
26.	803-014C	NUT HEX 3/8-16 PLT		
27.	803-084C	NUT HEX NYLOCK 5/16-18 PLT		
28.	803-169C	NUT HEX FLG LOCK 1/2-13 PLT		
29.	803-177C	NUT HEX FLG TP LK 5/16-18ZNYCR		
30.	803-209C	NUT FLANGE LOCK 3/8-16 PLT		
31.	803-293C	NUT HEX FLG TL 1/4-20 ZNYCR		
32.	804-004C	WASHER INTERNAL STAR #10 PLT		
33.	804-009C	WASHER LOCK SPRING 5/16 PLT		
34.	804-010C	WASHER FLAT 5/16 USS PLT		
35.	804-013C	WASHER LOCK SPRING 3/8 PLT		
36.	804-036C	WASHER FLAT 5/16 SAE PLT		
37.	804-056C	WASHER WAVE SPRING 5/16		
38.	817-033C	LID LATCH GRIP		
39.	822-040C	BRG INS .75IDX1.85OD SPH LCK		
40.	822-041C	FLANGETTE 47 MST		
41.	890-401C	SMV MOUNTING SOCKET		

Seed Cup

Applies to AP-PS2072, AP-PS2086



Patent Pending

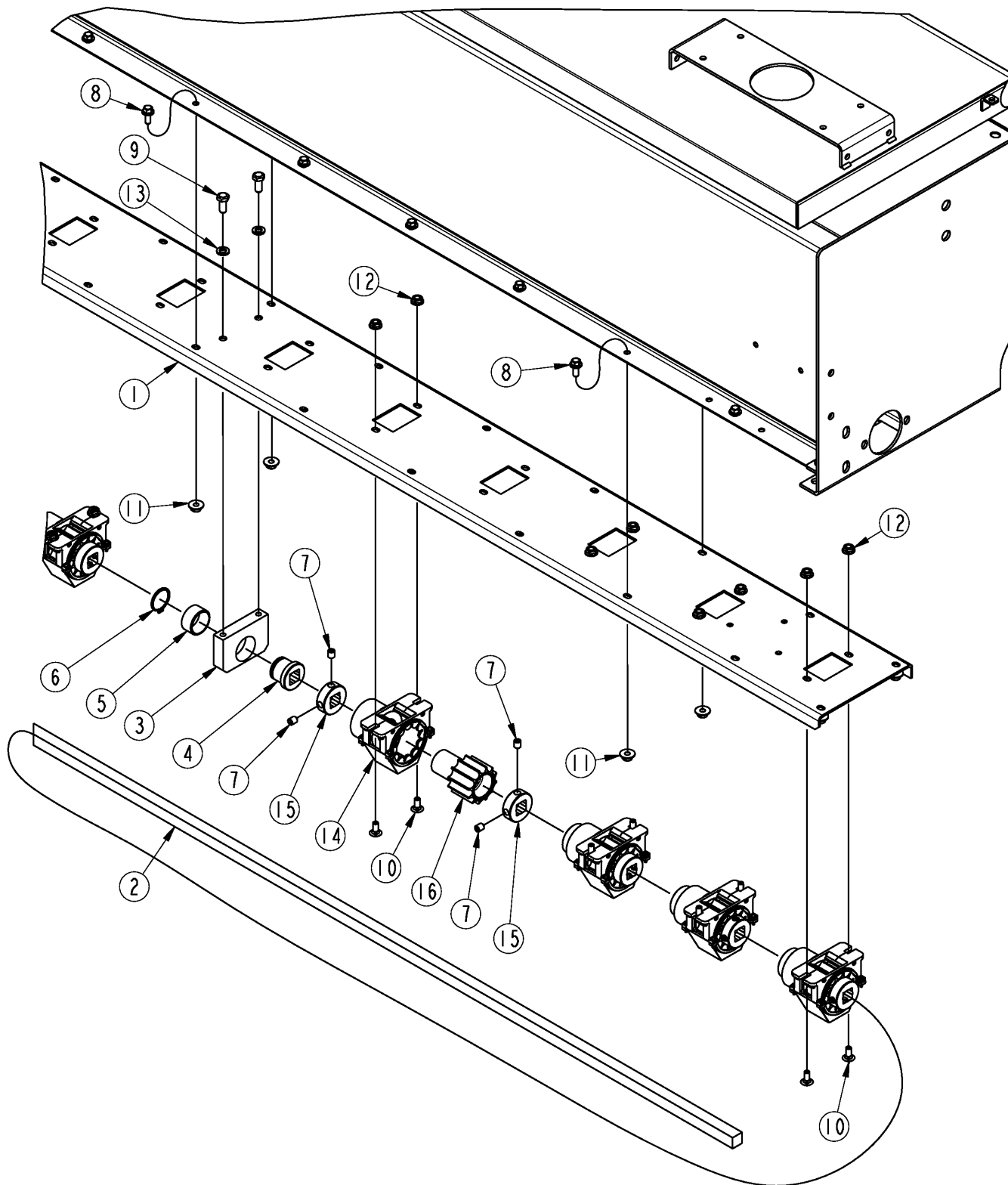
Seed Cup

Applies to AP-PS2072, AP-PS2086

Ref	Part No.	Part Description	Comments	Revision
	Dwg 72182	Image No.		
1.	837-201C	SEED CUP BIDIRECTIONAL		

Seed Cup Assembly

Applies to AP-PS2072, AP-PS2086



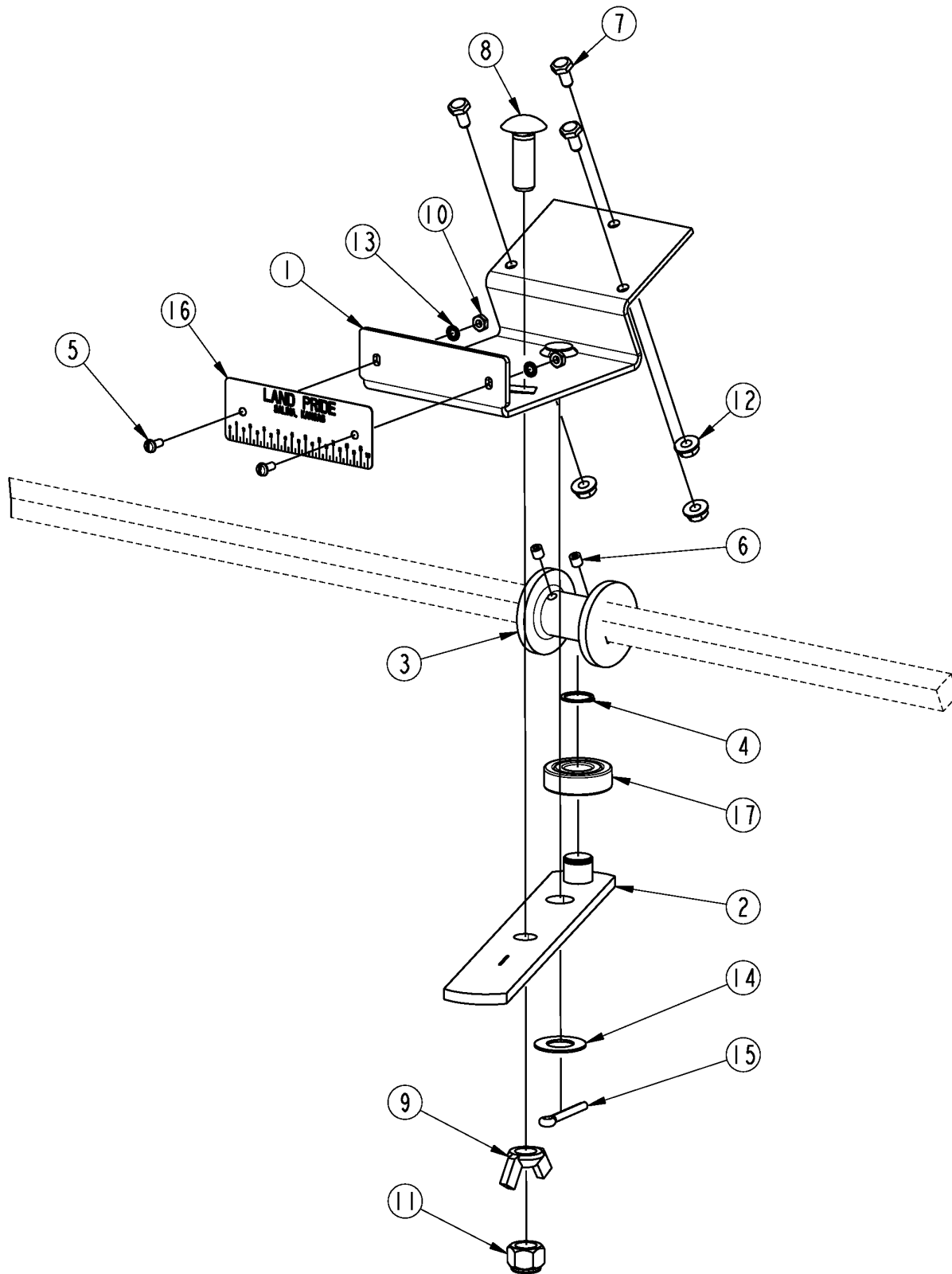
72178

Seed Cup Assembly**Applies to AP-PS2072, AP-PS2086**

Ref	Part No.	Part Description	Comments	Revision
	Dwg 72178	Image No.		
1.	329-363D	SEED CUP CHANNEL AP-PS72	AP-PS2072	
1.	329-324D	SEED CUP CHANNEL AP-PS86	AP-PS2086	
2.	329-366D	SEED CUP SHAFT PS 72"	AP-PS2072	
2.	329-351D	SEED CUP SHAFT PS 86"	AP-PS2086	
3.	329-413D	BEARING BLOCK		
4.	329-415D	.630 SQ BORE BUSHING		
5.	329-450D	IGUS PLAIN BEARING		
6.	800-550C	SNAP RING EXT BASIC 1 1/8		
7.	801-035C	SCREW SET 5/16-18 SKT KP X 3/8		
8.	802-196C	HFS 1/4-20X5/8 GR5		
9.	802-445C	HHCS 5/16-18X3/4 GR5 NYL		
10.	802-633C	RHSNB 1/4-20X5/8 PLT		
11.	803-088C	NUT HEX LOCK 1/4-20 FLG		
12.	803-194C	NUT HEX WHIZ 1/4-20 PLT		
13.	804-009C	WASHER LOCK SPRING 5/16 PLT		
14.	837-201C	SEED CUP BIDIRECTIONAL		
15.	890-350C	5/8 SHAFT LOCKING COLLAR		
16.	890-595C	SPROCKET SHORT POWDERED METAL		

Seed Rate Adjustment Assembly

Applies to AP-PS2072, AP-PS2086



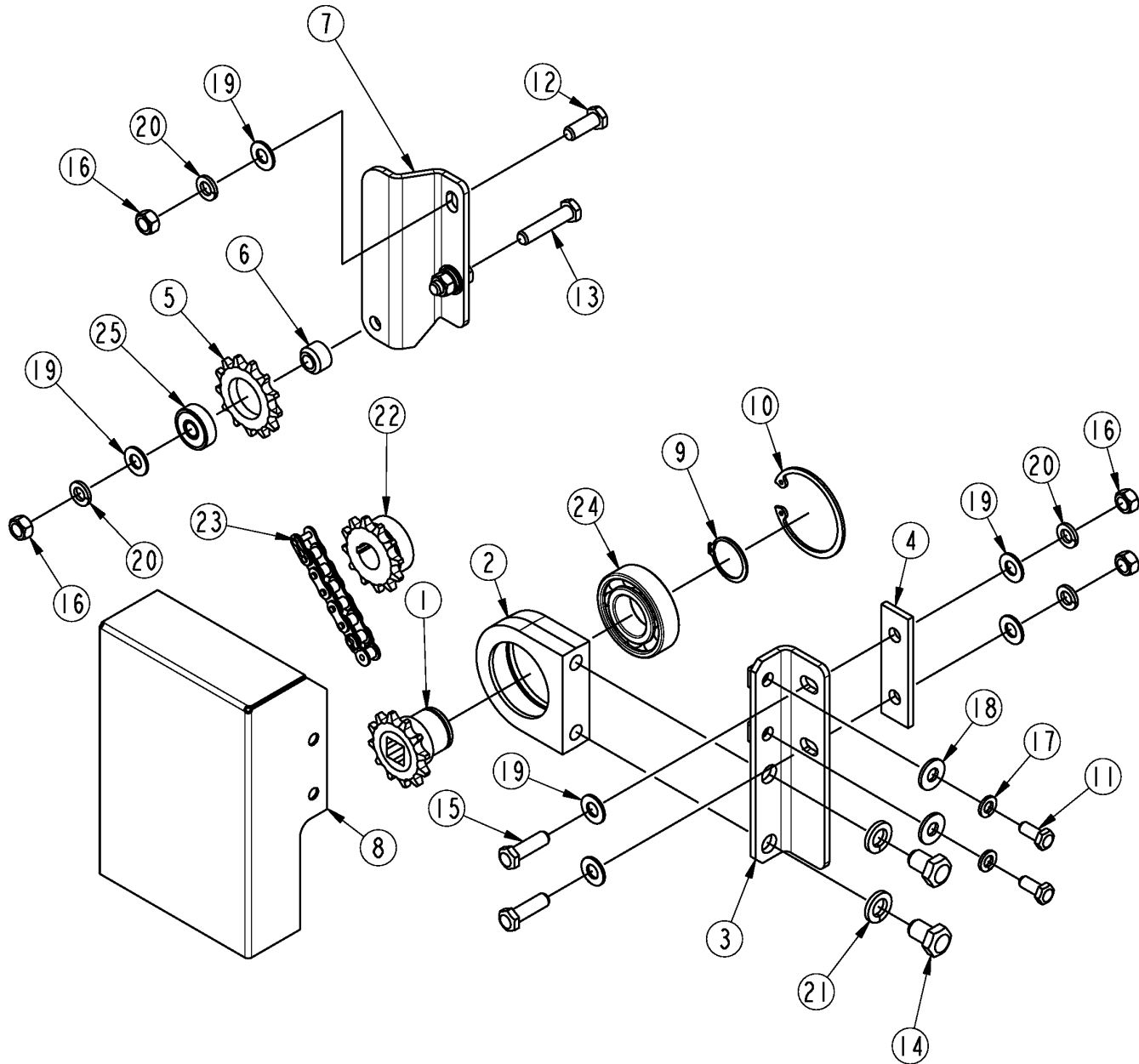
72185

Seed Rate Adjustment Assembly**Applies to AP-PS2072, AP-PS2086**

Ref	Part No.	Part Description	Comments	Revision
	Dwg 72185	Image No.		
1.	313-988H	ADJ BASE		
2.	313-990H	SEED RATE ADJ HANDLE		
3.	329-382D	BEARING GUIDE		
4.	800-003C	SNAP RING EXT 17 MM		
5.	801-001C	SCREW RD HD 8-32 X 3/8 BRASS		
6.	801-045C	SCREW SET 1/4-28X1/4 KNL CUP		
7.	802-301C	HHCS 1/4-20X1/2 GR5		
8.	802-477C	RHSSNB 1/2-13X1 1/2 GR5		
9.	803-016C	NUT WING 1/2-13 PLT		
10.	803-035C	NUT HEX 8-32 BRASS		
11.	803-178C	NUT NYLOCK JAM NUT 1/2-13		
12.	803-194C	NUT HEX WHIZ 1/4-20 PLT		
13.	804-002C	WASHER INTERNAL STAR #8 BRASS		
14.	804-040C	WASHER MACH 1.19 X .63 X 18GA		
15.	805-016C	PIN COTTER 3/16 X 1 1/4 PLT		
16.	819-086C	NAME PLATE ADJ. GUIDE SHORT		
17.	822-008C	BRG BALL 17IDX40OD 6203		

Agitator Shaft Drive

Applies to AP-PS2072, AP-PS2086



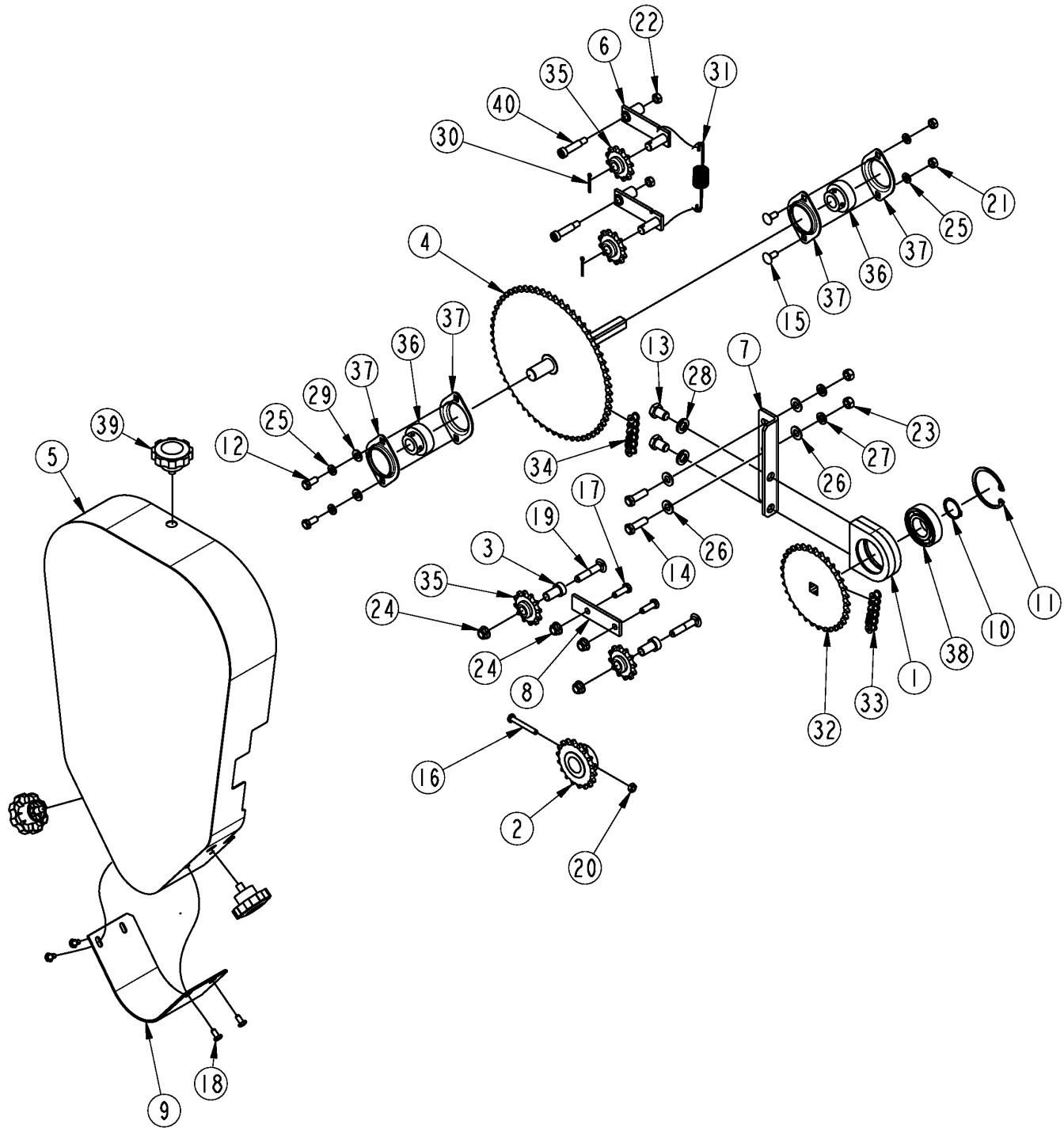
72186

Agitator Shaft Drive**Applies to AP-PS2072, AP-PS2086**

Ref	Part No.	Part Description	Comments	Revision
	Dwg 72186	Image No.		
1.	118-509D	BRG HUB 40A12		
2.	176-006D	CUP DRIVE BRG. HOUSING		
3.	329-108H	BEARING MOUNT		
4.	329-344D	BEARING MOUNT SPACER		
5.	329-359D	SPKT 40A13 1.181 ID		
6.	329-360D	SPACER IDLER		
7.	329-361D	IDLER ARM		
8.	329-451D	CHAIN GUARD		
9.	800-004C	SNAP RING EXT BASIC 1 3/16		
10.	800-005C	RING FC HOUSING		
11.	802-007C	HHCS 5/16-18X3/4 GR5		
12.	802-017C	HHCS 3/8-16X1 GR5		
13.	802-023C	HHCS 3/8-16X1 3/4 GR5		
14.	802-032C	HHCS 1/2-13X3/4 GR5		
15.	802-079C	HHCS 3/8-16X1 1/4 GR5		
16.	803-014C	NUT HEX 3/8-16 PLT		
17.	804-009C	WASHER LOCK SPRING 5/16 PLT		
18.	804-010C	WASHER FLAT 5/16 USS PLT		
19.	804-012C	WASHER FLAT 3/8 SAE PLT		
20.	804-013C	WASHER LOCK SPRING 3/8 PLT		
21.	804-015C	WASHER LOCK SPRING 1/2 PLT		
22.	808-040C	SPKT 40B12 X 3/4 B W/KW&SS		
23.	809-259C	CHAIN RL #40 33 PITCH		
24.	822-059C	BRG BALL 1.181IDX2.44OD 206PP		
25.	822-253C	BRG, .393 ID X 1.181 OD X .354		

Seed Cup Drive

Applies to AP-PS2072, AP-PS2086



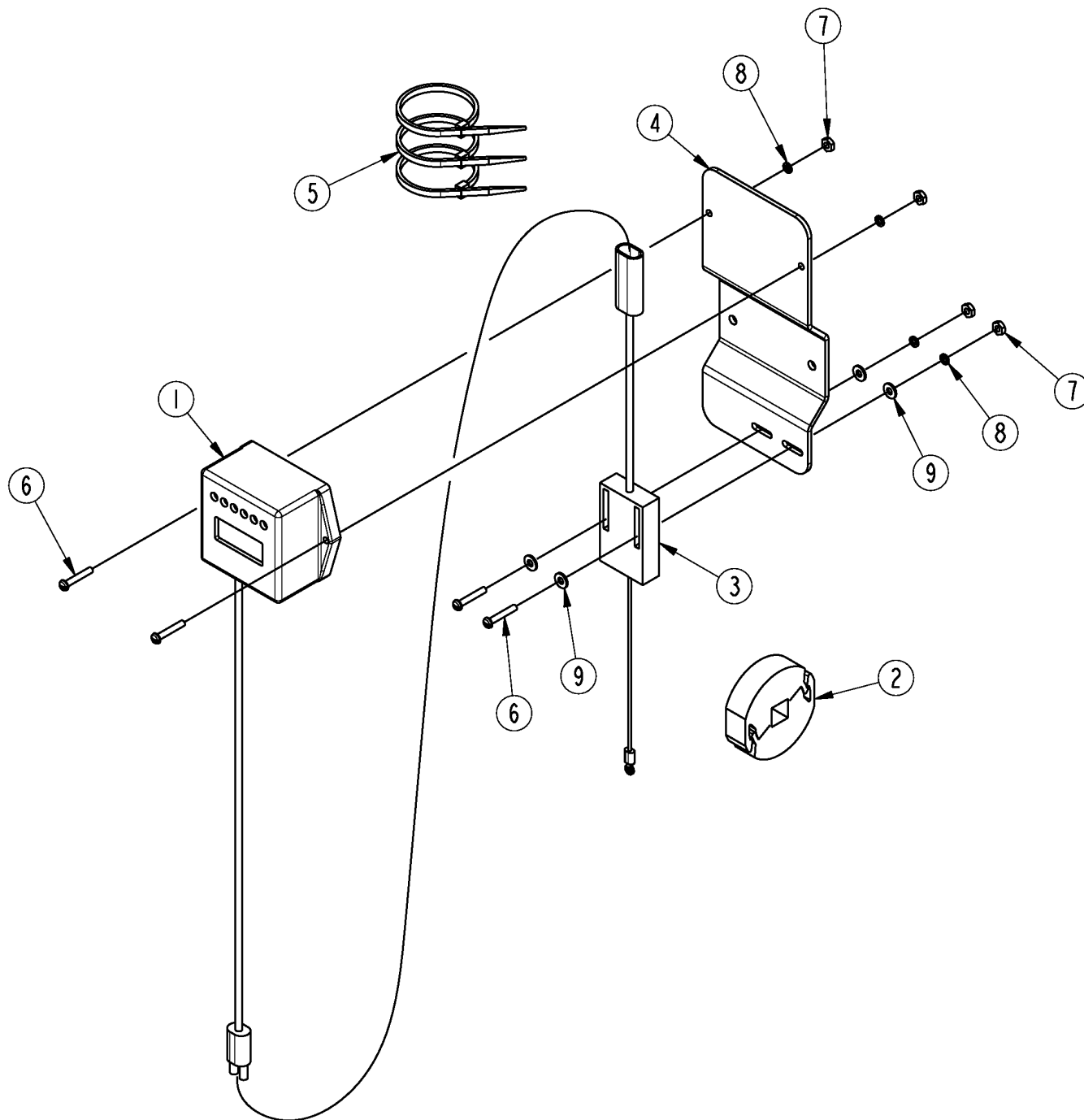
72193

Seed Cup Drive**Applies to AP-PS2072, AP-PS2086**

Ref	Part No.	Part Description	Comments	Revision
	Dwg 72193	Image No.		
1.	176-006D	CUP DRIVE BRG. HOUSING		
2.	313-353H	SPROCKET WELDMENT		
3.	313-679D	IDLER BUSHING		
4.	313-820H	REDUCTION SPRKT		
5.	313-825H	GUARD		
6.	313-997H	TENSIONER ARM		
7.	329-342D	BEARING MOUNT LH		
8.	329-356D	TENSIONER BAR		
9.	329-386D	GUARD REINFORCEMENT		
10.	800-004C	SNAP RING EXT BASIC 1 3/16		
11.	800-005C	RING FC HOUSING		
12.	802-007C	HHCS 5/16-18X3/4 GR5		
13.	802-032C	HHCS 1/2-13X3/4 GR5		
14.	802-079C	HHCS 3/8-16X1 1/4 GR5		
15.	802-092C	RHSNB 5/16-18X3/4 GR5		
16.	802-152C	HHCS 1/4-20X2 GR5		
17.	802-159C	HHCS 5/16-18X1 GR5		
18.	802-301C	HHCS 1/4-20X1/2 GR5		
19.	802-411C	RHSNB 3/8-16X2 GR5		
20.	803-007C	NUT LOCK 1/4-20 PLT		
21.	803-008C	NUT HEX 5/16-18 PLT		
22.	803-011C	NUT LOCK 5/16-18 PLT		
23.	803-014C	NUT HEX 3/8-16 PLT		
24.	803-209C	NUT FLANGE LOCK 3/8-16 PLT		
25.	804-009C	WASHER LOCK SPRING 5/16 PLT		
26.	804-012C	WASHER FLAT 3/8 SAE PLT		
27.	804-013C	WASHER LOCK SPRING 3/8 PLT		
28.	804-015C	WASHER LOCK SPRING 1/2 PLT		
29.	804-036C	WASHER FLAT 5/16 SAE PLT		
30.	805-064C	PIN COTTER 7/64 X 1 LONG		
31.	807-408C	SPRING EXT 7/8ODX4.468X.1W		
32.	808-247C	SPKT 40A33 X .630 SQ BORE		
33.	809-253C	CHAIN RL #40 48 PITCH W/CON		
34.	809-254C	CHAIN RL #40 107 PITCH W/CON		
35.	817-025C	NO. 40 12T IDLER SPKT.		
36.	822-040C	BRG INS .75IDX1.85OD SPH LCK		
37.	822-041C	FLANGETTE 47 MST		
38.	822-059C	BRG BALL 1.18IDX2.44OD 206PP		
39.	837-088C	KNOB 3/8-16X1/2 2 3/8OD		
40.	842-457C	SHOULDER BOLT .38X1.25X.31-18		

Acre Meter Option

Applies to AP-PS2072, AP-PS2086



72208

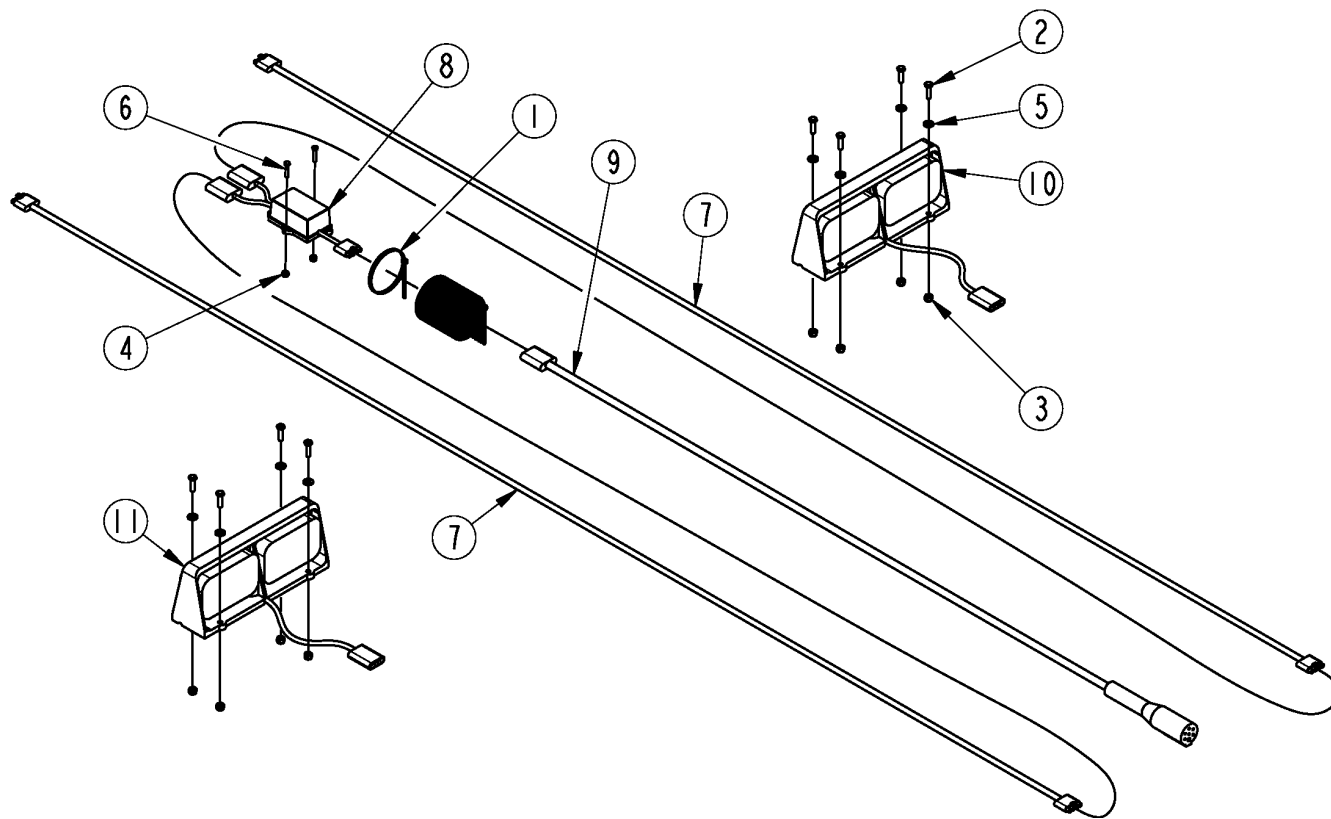
Acre Meter Option

Applies to AP-PS2072, AP-PS2086

Ref	Part No.	Part Description	Comments	Revision
	Dwg 72208 313-831A	Image No. ACRE METER BUNDLE *		
1.	823-423C	ELECTRONIC ACRE METER		
2.	540007	5/8 SQUARE SNAP ON ACTUATOR		
3.	221398A	ACRE COUNTER PICKUP		
4.	329-217D	ACRE METER MOUNT		
5.	800-112C	CABLE TIE .19X7.25 1.75D 50LB		
6.	801-251C	SCREW RD HD 8-32 X 1 LG PLT		
7.	803-064C	NUT HEX 8-32		
8.	804-043C	WASHER LOCK #8		
9.	804-088C	WASHER FLAT #8 SAE PLT		

Light Kit Option

Applies to AP-PS2072, AP-PS2086



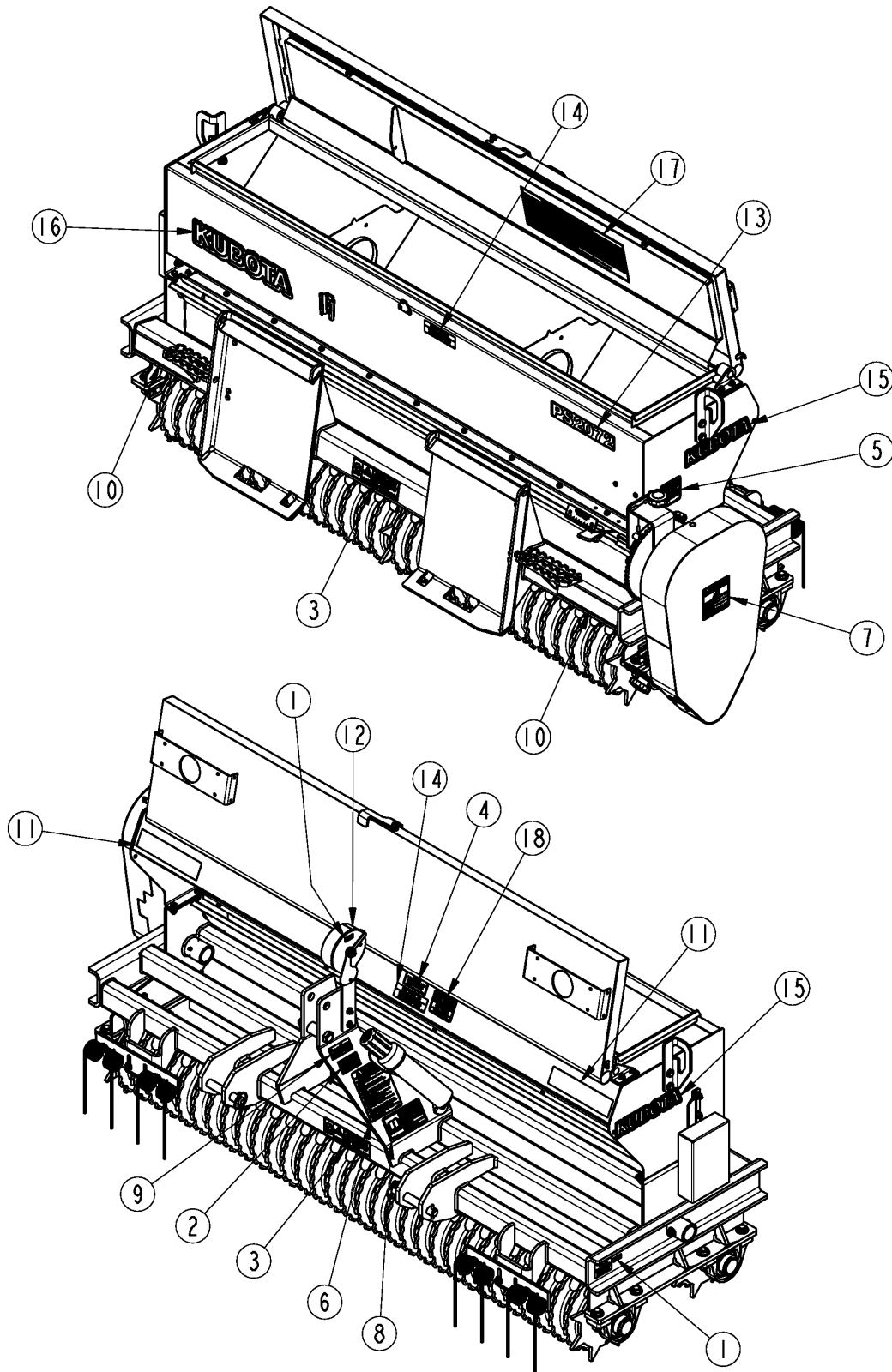
72207

Light Kit Option**Applies to AP-PS2072, AP-PS2086**

Ref	Part No.	Part Description	Comments	Revision
	Dwg 72207 313-992A	Image No. LIGHT KIT AP-PS20 *		
1.	800-060C	CABLE TIE .19X14.25 3DIA 50LB		
2.	802-005C	HHCS 1/4-20X1 GR5		
3.	803-255C	NUT HEX NYLOCK 1/4-20		
4.	803-268C	NUT HEX NYLOCK 10-24 PLT		
5.	804-007C	WASHER FLAT 1/4 SAE PLT		
6.	842-265C	HHCS #10-24X1 GR5		
7.	891-529C	LIGHT WIRE HARNESS 8'		
8.	891-531C	ENHANCE MODULE		
9.	891-786C	LEAD WIRE HARNESS 5'		
10.	891-794C	DUAL INCANDESCENT LIGHT LH		
11.	891-795C	DUAL INCANDESCENT LIGHT RH		

Decals

Applies to AP-PS2072, AP-PS2086



72211

Decals**Applies to AP-PS2072, AP-PS2086**

Ref	Part No.	Part Description	Comments	Revision
	Dwg 72211	Image No.		
1.	818-042C	DECAL PATENT PENDING		
2.	818-190C	DECAL FLAG		
3.	818-254C	DECAL DANGER ROTATING ROLLER		
4.	818-337C	DECAL WARNING 20 MPH TRANS SML		
5.	818-543C	DECAL DANGER PD GUARD MISS SML		
6.	818-858C	DECAL WARNING GENERAL SAFTEY		
7.	838-111C	DECAL DANGER MOVING PARTS		
8.	838-293C	DECAL WARNING READ MANUAL		
9.	838-517C	DECAL QUICK HITCH SYSTEM		
10.	838-614C	DECAL REFLECTOR RED 2X9		
11.	838-615C	DECAL REFLECTOR AMBER 2X9		
12.	858-238C	DECAL LEVEL RUN		
13.	858-364C	DECAL PS2072 WHITE		
14.	858-382C	DECAL RAISE SEEDER		
15.	858-398C	DECAL KUBOTA 10"		
16.	858-399C	DECAL KUBOTA 15"		
17.	858-584C	PS20 SERIES SEED RATE CHART		
18.	858-899C	DECAL WARNING LIGHT KIT		

Kubota Touch-up Paints

Applies to AP-PS2072, AP-PS2086

No diagram associated with this Parts List

Kubota Touch-up Paints

Applies to AP-PS2072, AP-PS2086

Ref	Part No.	Part Description	Comments	Revision
1.	821-070C	GLOSS BLACK SPRAY CAN	All Products	
2.	821-070CTU	GLOSS BLACK TOUCH-UP 5OZ		
3.	821-070CQT	GLOSS BLACK QUART		
4.	821-070CGL	GLOSS BLACK GALLON		



Part Number Index

The Part Number Index is a numeric index of all part numbers included in this manual. The index shows what page(s) the part is used on.

Part Number	Page	Part Number	Page	Part Number	Page	Part Number	Page
118-509D	27	329-366D	23	804-004C	19	891-786C	33
176-006D	27, 29	329-382D	25	804-007C	13, 33	891-794C	33
179-021D	19	329-386D	29	804-009C	19, 23, 27, 29	891-795C	33
179-022D	19	329-413D	23	804-010C	19, 27	Dwg 39163	13
179-023D	19	329-415D	23	804-011C	11	Dwg 72167	7
179-030D	19	329-450D	23	804-012C	7, 9, 27, 29	Dwg 72168	11
221398A	31	329-451D	27	804-013C	7, 9, 19, 27, 29	Dwg 72169	9
308-180D	7	370-446S	7, 11	804-015C	27, 29	Dwg 72172	15
308-183D	7	540007	31	804-021C	9	Dwg 72174	17
308-193D	19	800-001C	9	804-022C	9	Dwg 72175	19
308-400D	7	800-003C	25	804-023C	7	Dwg 72178	23
313-060D	7	800-004C	27, 29	804-036C	19, 29	Dwg 72182	21
313-186D	19	800-005C	27, 29	804-040C	25	Dwg 72185	25
313-353H	29	800-060C	33	804-043C	31	Dwg 72186	27
313-679D	29	800-112C	31	804-056C	19	Dwg 72193	29
313-704D	19	800-550C	23	804-088C	31	Dwg 72207	33
313-705D	19	801-001C	25	805-015C	7	Dwg 72208	31
313-794H	7	801-021C	19	805-016C	25	Dwg 72211	35
313-797K	9	801-024C	19	805-041C	7		
313-798K	9	801-035C	23	805-064C	29		
313-801H	9	801-045C	25	807-044C	7		
313-803H	9	801-251C	31	807-408C	29		
313-807H	9	802-005C	33	808-040C	27		
313-820H	29	802-007C	19, 27, 29	808-247C	29		
313-821H	19	802-014C	9	809-253C	29		
313-824H	15, 17	802-017C	19, 27	809-254C	29		
313-825H	29	802-022C	7	809-259C	27		
313-831A	31	802-023C	27	812-481C	15, 17		
313-835H	7	802-032C	27, 29	816-504C	13		
313-836H	9	802-057C	9	817-025C	29		
313-838H	9	802-068C	7	817-033C	19		
313-840H	9	802-079C	27, 29	818-042C	11, 35		
313-841K	9	802-092C	29	818-190C	35		
313-842K	9	802-152C	29	818-254C	35		
313-845H	19	802-155C	7	818-337C	35		
313-852H	15, 17	802-159C	11, 19, 29	818-543C	35		
313-950H	15, 17	802-196C	23	818-858C	35		
313-951H	19	802-224C	13, 19	819-086C	25		
313-956H	19	802-226C	7	821-070C	37		
313-958H	19	802-258C	19	821-070CGL	37		
313-963H	19	802-301C	25, 29	821-070CQT	37		
313-973H	19	802-411C	19, 29	821-070CTU	37		
313-985H	19	802-445C	23	822-008C	25		
313-986H	19	802-477C	25	822-040C	19, 29		
313-988H	25	802-532C	15, 17	822-041C	19, 29		
313-990H	25	802-633C	19, 23	822-059C	27, 29		
313-992A	33	802-794C	11	822-253C	27		
313-997H	29	803-001C	19	822-330C	15, 17		
321-098H	11	803-007C	19, 29	823-423C	31		
321-134D	11	803-008C	19, 29	837-088C	29		
326-095S	7, 13	803-011C	29	837-201C	21, 23		
329-108H	27	803-013C	15, 17	838-111C	35		
329-179D	17	803-014C	7, 19, 27, 29	838-293C	35		
329-180D	15	803-016C	25	838-517C	35		
329-184D	15	803-021C	9	838-614C	35		
329-185D	7	803-027C	7	838-615C	35		
329-217D	31	803-035C	25	842-265C	33		
329-226D	17	803-043C	11	842-457C	29		
329-227D	17	803-064C	31	858-238C	11, 35		
329-247D	15	803-084C	19	858-364C	35		
329-324D	23	803-088C	23	858-382C	35		
329-342D	29	803-169C	7, 19	858-398C	35		
329-344D	27	803-177C	19	858-399C	35		
329-351D	23	803-178C	25	858-584C	35		
329-356D	29	803-194C	23, 25	858-899C	35		
329-359D	27	803-209C	19, 29	890-350C	23		
329-360D	27	803-255C	13, 33	890-401C	19		
329-361D	27	803-268C	33	890-595C	23		
329-362D	15	803-293C	19	891-529C	33		
329-363D	23	804-002C	25	891-531C	33		

This Page Intentionally Left Blank



KUBOTA TRACTOR CORPORATION

1000 Kubota Drive, Grapevine, TX 76051

Telephone: (817) 756-1171

Western Division: 1175 S. Guild Ave., Lodi, CA 95240
Telephone: (209) 334-9910

Central Division: 14855 FAA Blvd., Fort Worth, TX 76155
Telephone: (817) 571-0900

Northern Division: 6300 at One Kubota Way, Groveport, OH 43125
Telephone: (614) 835-1100

Southeast Division: 1025 Northbrook Parkway, Suwanee, GA 30024
Telephone: (770) 995-8855

www.kubota.com
