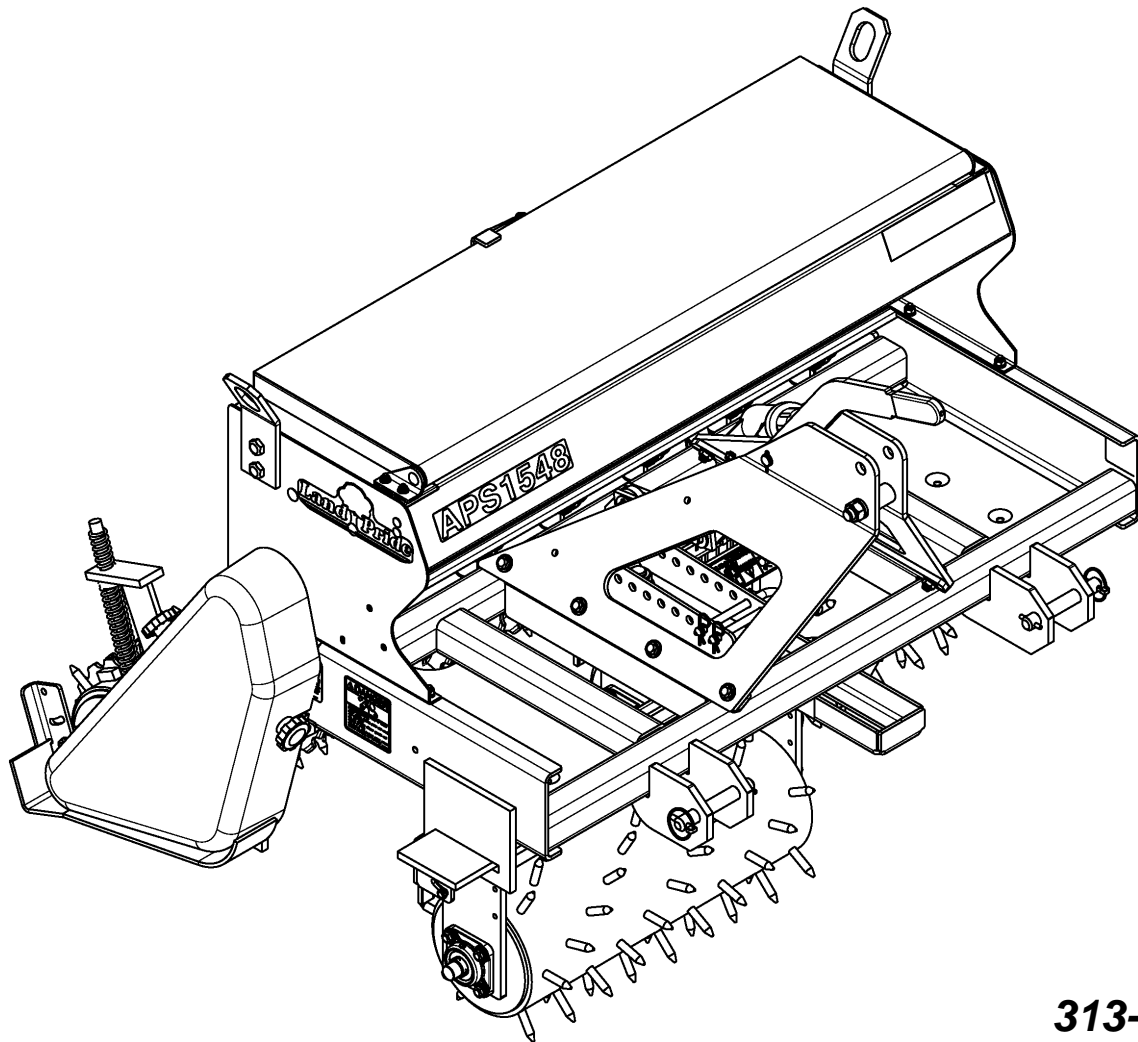


Seeders

APS1548, APS1560, APS1572 & APS1586 All Purpose Seeder



24921

313-354P Parts Manual



Read the Operator's Manual entirely. When you see this symbol, the subsequent instructions and warnings are serious - follow without exception. Your life and the lives of others depend on it!

© Copyright 2018 Printed 07/10/18

Cover photo may show optional equipment not supplied with standard unit.





Table of Contents

Section 1: Introduction.....4	
Using This Manual.....4	
Manual Replacement Information.....4	
Manual Revisions.....4	
Touch-up Paint.....4	
Hardware Legend.....5	
Replacement Hardware.....5	
Serial Numbers.....5	
Part Number Service Coding.....5	
Section 2: Frame.....6	
Frame Components 1586 S/N 644713-.....6	
Frame Components 1586 S/N 644714+.....8	
Frame Components S/N 644706-.....10	
Frame Components S/N 644707+.....12	
Rear Roller Mount Arm S/N 659514-.....14	
Rear Roller Mount Arm S/N 659515+.....16	
Roller Front.....18	
Section 3: Box.....20	
Bolt-on Agiator Extension Kit APS.....20	
Box Assembly.....22	
Feeder Cup & Channel Assembly.....26	
Feeder Cup Adjustment Handle Assembly.....28	
Seeder Light Kit S/N 1136115+.....30	
Section 4: Drive.....32	
Drive Components (S/N 659514-).....32	
Drive Components (S/N 659515+).....34	
Section 5: Decals.....36	
Decal Placement.....36	
Land Pride Touch-up Paints.....38	
Section 6: Options Rollers Notched or Spiked.....40	
Roller Rear.....40	
Notched or Spiked.....40	
Scrapers.....42	
Notched Roller (S/N 659514-).....42	
Scrapers.....44	
Notched Roller (S/N 659515+).....44	
Scrapers.....46	
Spike Roller (S/N 659514-).....46	
Scrapers.....48	
Spike Roller (S/N 659515+).....48	
Section 7: Options Small Seed Attachment.....50	
APS15 Small Seeds Box Bundle.....50	
Small Seed Box to Main Box Mounting.....52	
Small Seed Drive Components.....54	
Small Seed Label Placement.....56	
Small Seed Seed Box & Feeder Cup Components.....58	
Small Seed Seed Rate Handle.....60	
Section 8; Accessories.....62	
SMV Sign.....62	
	Part Number Index.....64

© Copyright 2018. All rights reserved.

Land Pride provides this publication “as is” without warranty of any kind, either expressed or implied. While every precaution has been taken in the preparation of this manual, Land Pride assumes no responsibility for errors or omissions. Neither is any liability assumed for damages resulting from the use of the information contained herein. Land Pride reserves the right to revise and improve its products as it sees fit. This publication describes the state of this product at the time of its publication, and may not reflect the product in the future. The illustrations in this manual are not intended for safe and proper assembly or disassembly of equipment. The illustrations are intended for ordering parts only.

Land Pride is registered trademark.

All other brands and product names are trademarks or registered trademarks of their respective holders.

Printed in the United States of America.



Alphabetized Table of Contents

A	
APS15 Small Seeds Box Bundle.....	50
B	
Bolt-on Agiator Extension Kit APS.....	20
Box Assembly.....	22
D	
Decal Placement.....	36
Drive Components (S/N 659514-).....	32
Drive Components (S/N 659515+).....	34
F	
Feeder Cup & Channel Assembly.....	26
Feeder Cup Adjustment Handle Assembly.....	28
Frame Components 1586 S/N 644713-.....	6
Frame Components 1586 S/N 644714+.....	8
Frame Components S/N 644706-.....	10
Frame Components S/N 644707+.....	12
L	
Land Pride Touch-up Paints.....	38
R	
Rear Roller Mount Arm S/N 659514-.....	14
Rear Roller Mount Arm S/N 659515+.....	16
Roller Front.....	18
Roller Rear, Notched or Spiked.....	40
S	
Scrapers, Notched Roller (S/N 659514-).....	42
Scrapers, Notched Roller (S/N 659515+).....	44
Scrapers, Spike Roller (S/N 659514-).....	46
Scrapers, Spike Roller (S/N 659515+).....	48
Seeder Light Kit S/N 1136115+.....	30
Small Seed Box to Main Box Mounting.....	52
Small Seed Drive Components.....	54
Small Seed Label Placement.....	56
Small Seed Seed Box & Feeder Cup Components.....	58
Small Seed Seed Rate Handle.....	60
SMV Sign.....	62

General Information

Using This Manual

This manual is divided into sections. The first section contains General Information. The remaining sections divide the machine into segments (i.e. Frames, Drives, Hydraulics, etc.) which illustrate and list all parts. A Parts Number Index is located at the back of the book.

The Land Pride parts in this manual are specially designed for this machine and should be replaced with Land Pride parts only.

The information in this manual is current at time of printing. Some parts may change to assure top performance.

Right-hand and left-hand as used in this manual are determined by facing the direction the machine will travel while in use.

Below is an example of two facing pages from a parts manual. Familiarize yourself with the type of information contained on these pages.

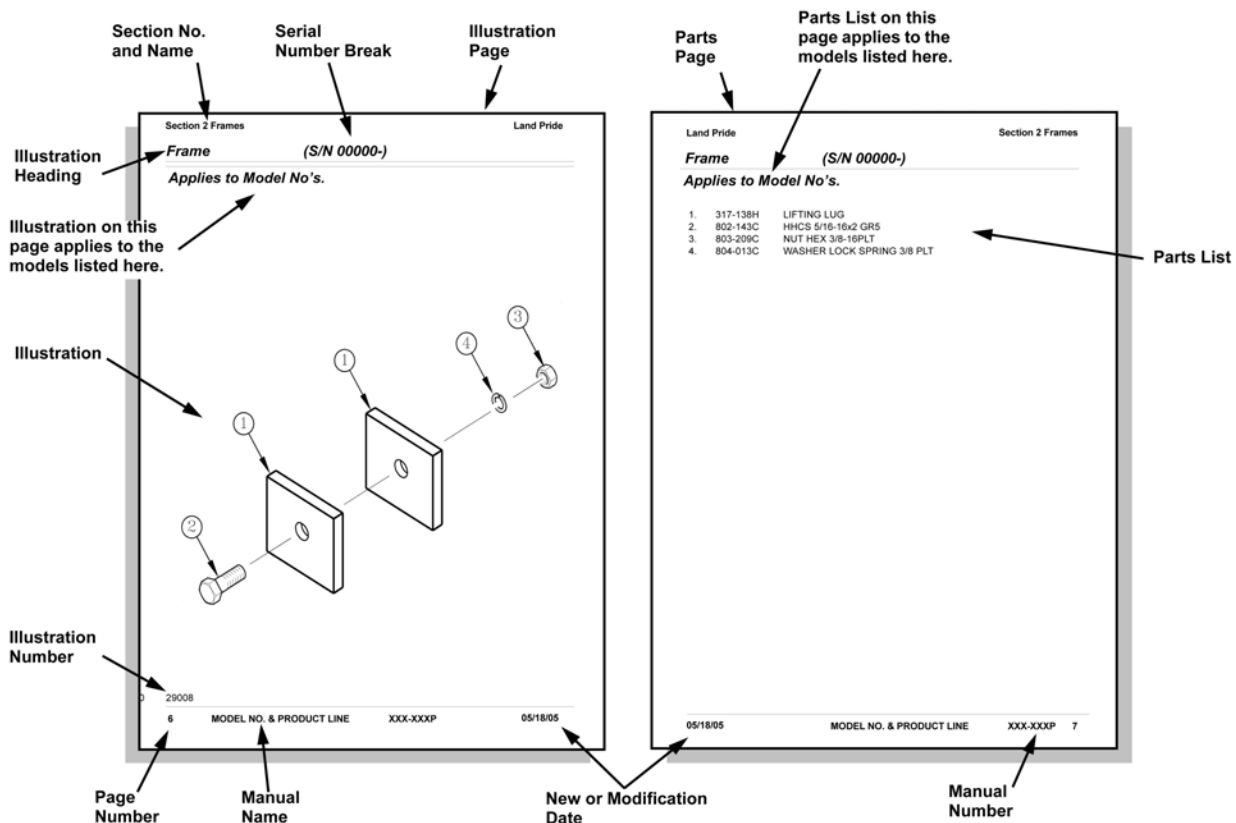
Manual Replacement Information

Replacement manuals are available. Refer to our website at www.landpride.com or e-mail us at lit@landpride.com for additional information. Our website continues to provide the most up-to-date manuals available.

Touch-up Paint

Repaint parts where paint is worn or scratched to prevent rust. Aerosol cans and touch-up bottles with brush applicator are available through your local dealer. Also available are quart and gallon size paints. Add QT or GL to end of the Aerosol P/N.

Land Pride color descriptions and part numbers are listed on the "Land Pride Touch-up Paints" page in the "Decals" section of this book. Color options vary by product.



General Information

Hardware Legend

AR	As Required
BLADE	Blade Bolt
C	Cap Screw
CP	Cotter Pin
CPHSSS	Cup Point Hex Socket Set Screw
CPSHSS	Cup Point Square Head Set Screw
CPSQHSS	Cup Point Square Head Set Screw
CRFCHMS3	Cross Recess Flat Countersunk Head Machine Screw
CRPHMS	Cross Recess Pan Head Machine Screw
CRPHTF	Cross Recess Pan Head Thread Forming
CRRHMS	Cross Recess Round Head Machine Screw
CRTHMS	Cross Recess Truss Head Machine Screw
CSNB	Countersunk Square Neck Bolt
FHMS	Flat Head Machine Screw
FTC	Full Thread Cap Screw
H	Hex Nut
HCLN	Hex Center Lock Nut
HFLCS	Hex Flange Lock Cap Screw
HFS	Hex Flange Screw
HFSLN	Hex Flange Serrated Lock Nut
HFSS	Hex Flange Serrated Screw
HHCS	Hex Head Cap Screw or Metric Bolt
HSBHCS	Hex Socket Button Head Cap Screw
HSFCHCS	Hex Socket Flat Countersunk Head Cap Screw
HSHCS	Hex Socket Head Cap Screw
HSSS	Hex Socket Head Screw
HTLN	Hex Top Lock Nut
HWHCS	Hex Washer Head Cap Screw

HWHMS	Hex Washer Head Machine Screw
HXBHCS	Hex Socket Button Head Cap Screw
J	Hex Jam Nut
JIC	37 Degree Tapered Thread
L	Helical Spring Lock Washer
LUG	Lug Bolt
NFC	National Fine Cap Screw
NPSM	National Pipe Straight Mechanical
NPTF	National Pipe Taper Fuel
P	Wide Plain Washer
PHMS	Pan Head Machine Screw
PLOW	Plow Bolt
RHMS	Round Head Machine Screw
RHSNB	Round Head Square Neck Bolt
SCREW LEVELING	Leveling Screw
SCREW THUMB	Thumb Screw
SCREW WELD	Weld Screw
SFCHMS	Slotted Flat Countersunk Head Machine Screw
SFHMS	Slotted Fillister Head Machine Screw
SP	Special
SP SCREW	Special Screw
SOHSS	Square Head Set Screw
SRHMS	Slotted Round Head Machine Screw
SSS	Socket Set Screw
STCS	Self Tapping Cap Screw
STHMS	Slotted Truss Head Machine Screw
WHEEL	Wheel Studs and Hub Long Bolts
WING	Wing Bolt

Replacement Hardware

The **Hardware Legend** above lists hardware abbreviations used in the parts list. All bolts and nuts are Grade 5 unless otherwise noted. The use of improper grades of hardware can result in personal injury, damage to equipment, or loss of property.

Colored Replacement Parts

Land Pride offers replacement parts in factory standard colors and also on select models in Green, Orange, Red and Blue. Because of the variety of colors available, special attention must be given to the part number to prevent ordering the wrong replacement part.

A suffix number corresponding to one of the colors below must be added at the end of Land Pride's part number when ordering a replacement part with that color.

81 Green 83 Red
82 Orange 84 Blue

For example, if you are ordering a replacement part with part number 555-555C and the part you need is red, then add the suffix 83 to the end of the number to make the part number read 555-555C83. Parts ordered without a suffix number will be supplied in factory standard colors.

Black Replacement Parts

Some parts are factory standard black and some must be special ordered black. If your part is special ordered black, a second part number with the additional suffix number 85 on the end will be available. In this situation you must order that part with the suffix number for it to be black. Parts that are factory standard black will not have the suffix number.

Part Number Service Coding

Within the parts list some part numbers are coded for revisions and interchangeability. See notations in revision column.

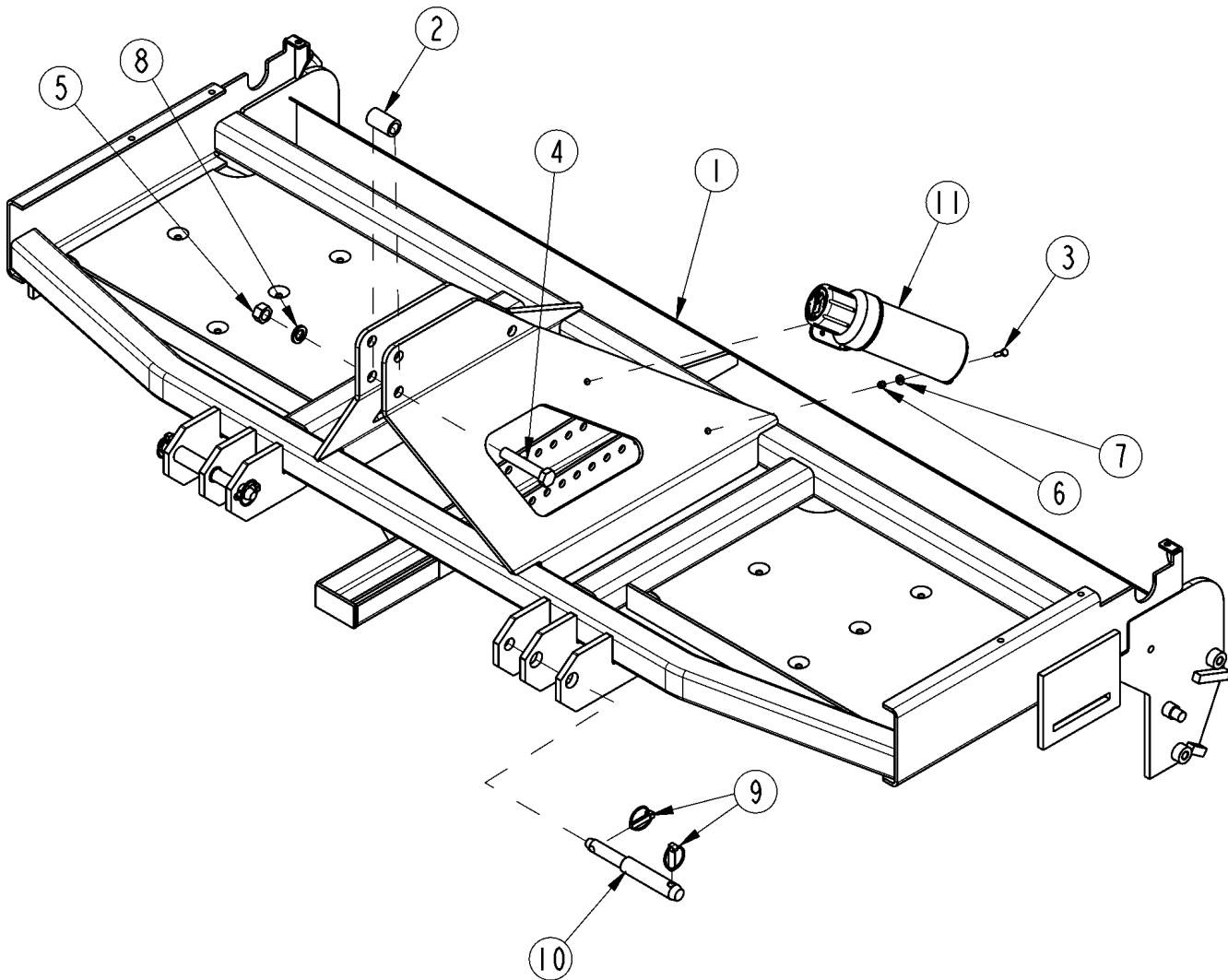
Serial Numbers

Always use the serial and model number when ordering parts. Refer to the Operator's Manual for serial number plate location.

- (S/N 20001+) Includes serial numbers 20001 and above (to the latest number)
- (S/N 10001 to 20000) Includes serial numbers between and including 10001 and 20000
- (S/N 10000-) Includes serial numbers 10000 and below (to the earliest number)

Frame Components 1586 S/N 644713-

Applies to APS1586



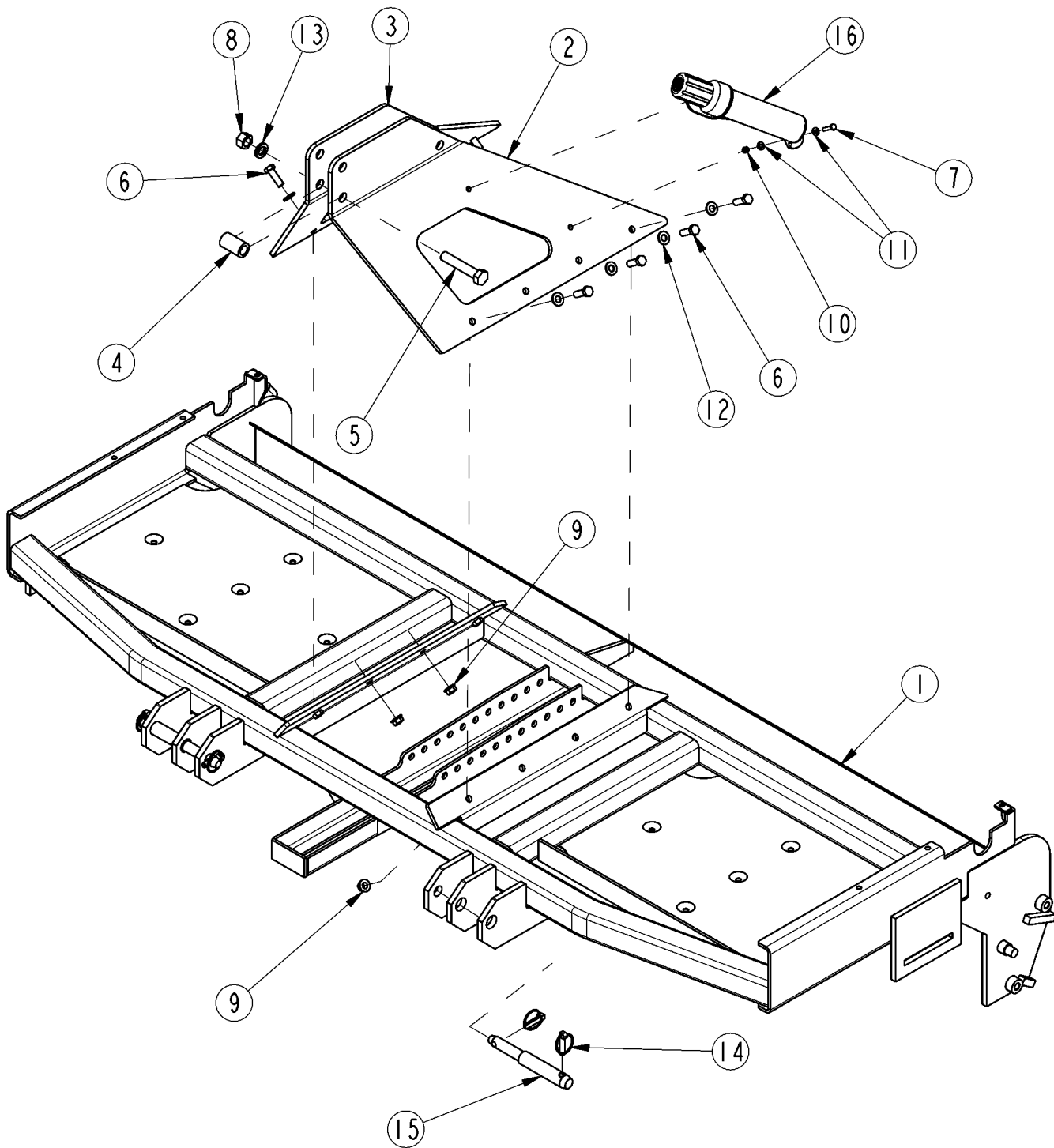
25780

Frame Components 1586 S/N 644713-**Applies to APS1586**

Ref	Part No.	Part Description	Comments	Revision
	dwg25780	Drawing Image Number		
1.	313-440H	RPBY (313-497H & 313-498K)		
1.	313-440H82	RPBY (313-497H82 & 313-498K82)		
2.	322-009D	SPACER 1 1/4ODX7/32WLX2.12LG		
3.	802-005C	HHCS 1/4-20X1 GR5		
4.	802-068C	HHCS 3/4-10X4 GR5		
5.	803-027C	NUT HEX 3/4-10 PLT		
6.	803-255C	NUT HEX NYLOCK 1/4-20		
7.	804-007C	WASHER FLAT 1/4 SAE PLT		
8.	804-023C	WASHER LOCK SPRING 3/4 PLT		
9.	805-103C	PIN LINCH 7/16 X 1 3/4		
10.	805-407C	PIN HITCH CAT. I-II		
11.	816-481C	MANUAL STORAGE CONTAINER		

Frame Components 1586 S/N 644714+

Applies to APS1586



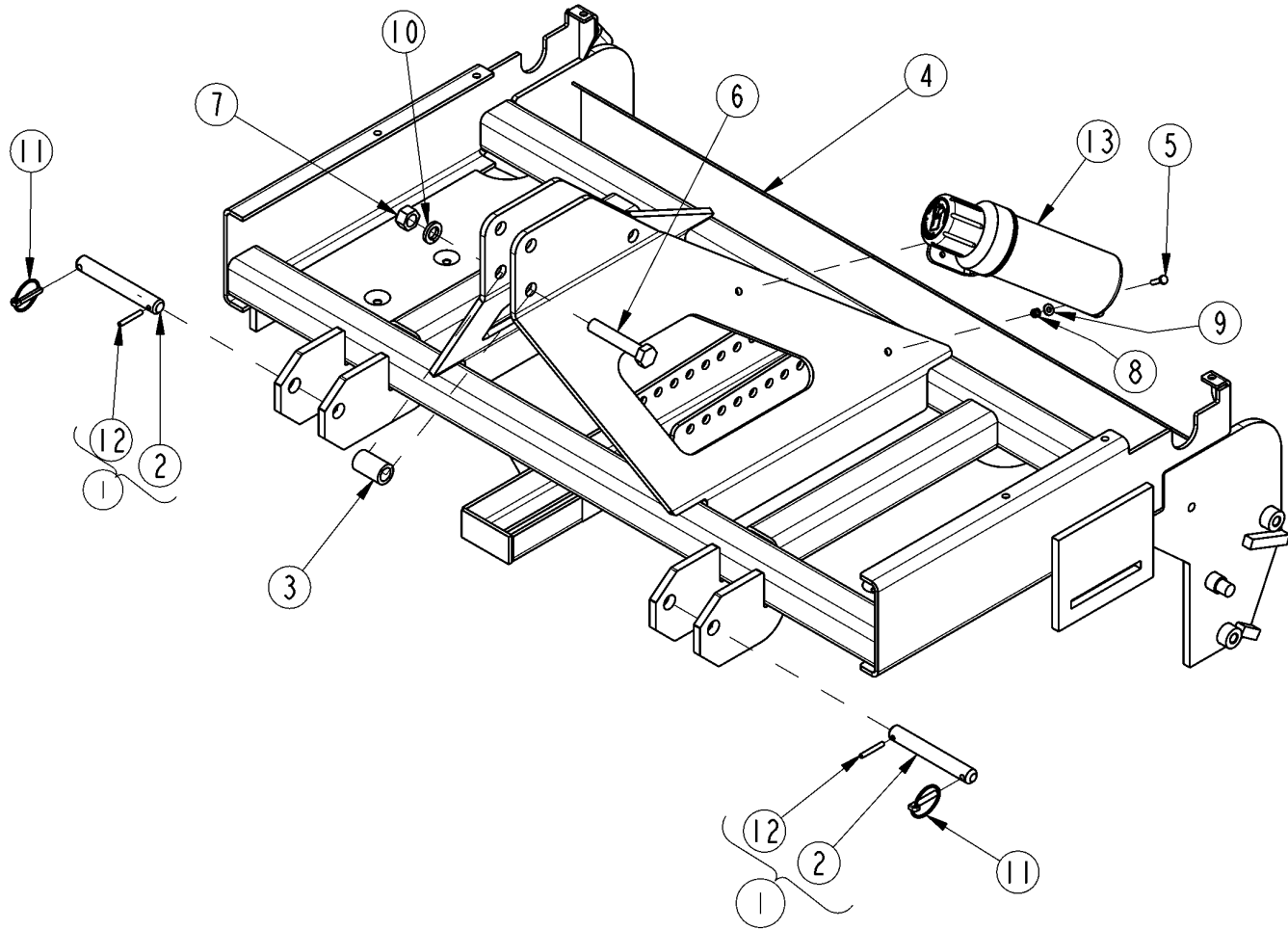
30160

Frame Components 1586 S/N 644714+**Applies to APS1586**

Ref	Part No.	Part Description	Comments	Revision
	dwg30160	Drawing Image Number		
1.	313-497H	APS 86" FRAME WELDMENT		
1.	313-497H82	APS 86" FRAME WELDMENT ORANGE		
2.	313-796D	UPPER HITCH PLATE LH APS86		
2.	313-796D82	UPPER HITCH PLATE LH APS86 ORANGE		
3.	313-797D	UPPER HITCH PLATE RH APS86		
3.	313-767D82	UPPER HITCH PLATE RH APS86 ORANGE		
4.	322-009D	SPACER 1 1/4ODX7/32WLX2.12LG		
5.	802-068C	HHCS 3/4-10X4 GR5		
6.	802-091C	HHCS 1/2-13X1 1/2 GR5	S/N 645045+	
6.	802-034C	HHCS 1/2-13X1 1/4 GR5	S/N 645044-	
7.	802-224C	HHCS 1/4-20X1 1/4 GR5		
8.	803-027C	NUT HEX 3/4-10 PLT		
9.	803-169C	NUT HEX FLG LOCK 1/2-13 PLT		
10.	803-255C	NUT HEX NYLOCK 1/4-20		
11.	804-007C	WASHER FLAT 1/4 SAE PLT		
12.	804-016C	WASHER FLAT 1/2 SAE PLT	S/N 645045+	
13.	804-023C	WASHER LOCK SPRING 3/4 PLT		
14.	805-103C	PIN LINCH 7/16 X 1 3/4		
15.	805-407C	PIN HITCH CAT. I-II		
16.	816-504C	MANUAL STORAGE CONTAINER		

Frame Components S/N 644706-

Applies to APS1548, APS1560, APS1572



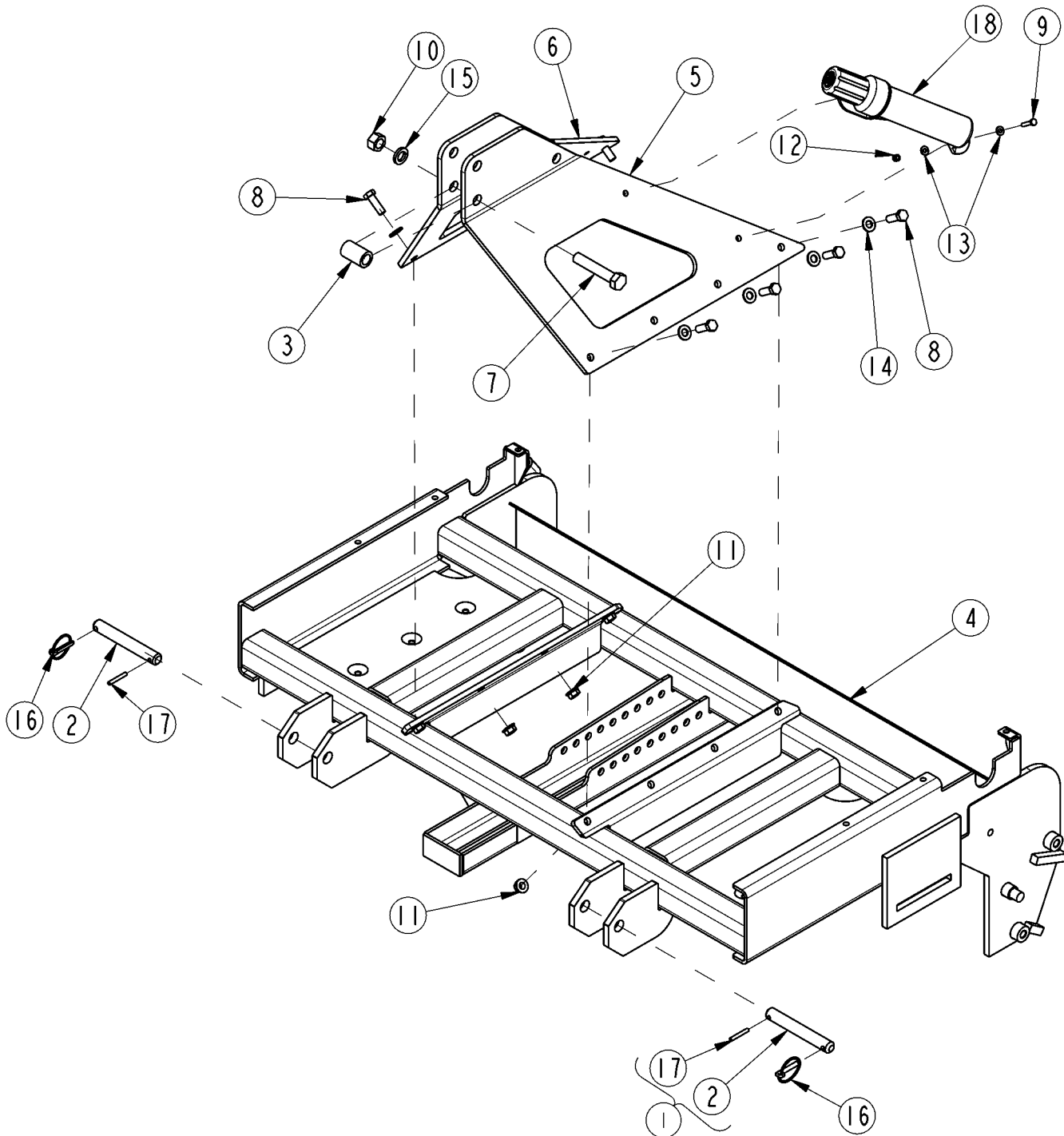
24916

Frame Components S/N 644706-**Applies to APS1548, APS1560, APS1572**

Ref	Part No.	Part Description	Comments	Revision
	dwg24916	Drawing Image Number		
1.	308-110S	LOWER HITCH PIN ASS'Y		
2.	308-183D	LOWER HITCH PIN		
3.	308-400D	SPACER 1 1/4OD X 13/16ID X 2LG		
4.	313-358H	RPBY (313-491H & 313-489K)		
4.	313-358H82	RPBY (313-491H82 & 313-489K82)		
4.	313-367H	RPBY (313-493H & 313-489K)		
4.	313-367H82	RPBY (313-493H82 & 313-489K82)		
4.	313-229H	RPBY (313-495H & 313-489K)		
4.	313-229H82	RPBY (313-495H82 & 313-489K82)		
5.	802-005C	HHCS 1/4-20X1 GR5		
6.	802-068C	HHCS 3/4-10X4 GR5		
7.	803-027C	NUT HEX 3/4-10 PLT		
8.	803-255C	NUT HEX NYLOCK 1/4-20		
9.	804-007C	WASHER FLAT 1/4 SAE PLT		
10.	804-023C	WASHER LOCK SPRING 3/4 PLT		
11.	805-015C	PIN LINCH 5/16 X 1 3/4		
12.	805-041C	PIN ROLL 1/4X1 3/4		
13.	816-481C	MANUAL STORAGE CONTAINER		

Frame Components S/N 644707+

Applies to APS1548, APS1560, APS1572



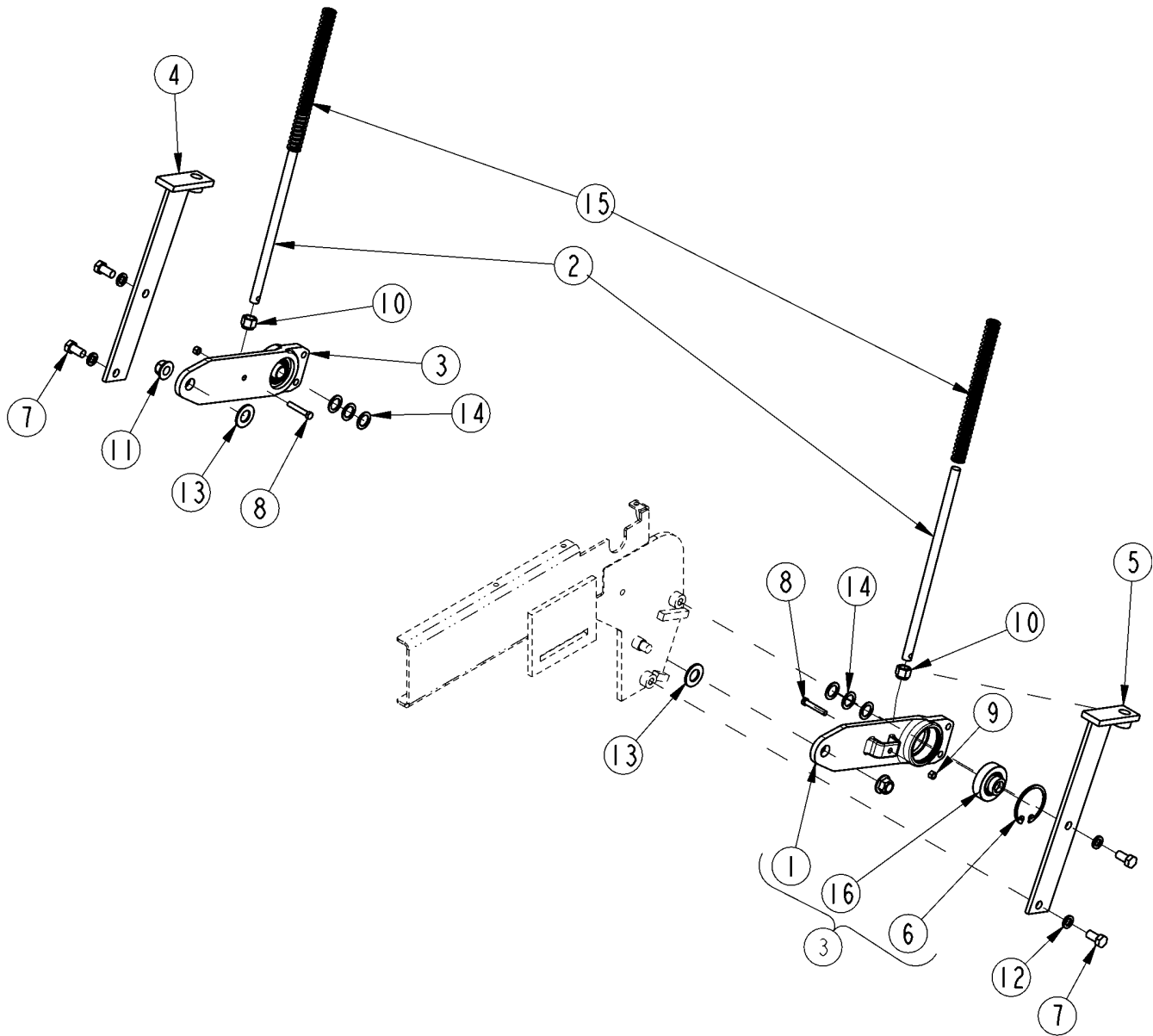
30159

Frame Components S/N 644707+**Applies to APS1548, APS1560, APS1572**

Ref	Part No.	Part Description	Comments	Revision
	dwg30159	Drawing Image Number		
1.	308-110S	LOWER HITCH PIN ASS'Y		
2.	308-183D	LOWER HITCH PIN		
3.	308-400D	SPACER 1 1/4OD X 13/16ID X 2LG		
4.	313-491H	APS 48" FRAME WELDMENT		
4.	313-491H82	APS 48" FRAME WELDMENT ORANGE		
4.	313-493H	APS 60" FRAME WELDMENT		
4.	313-493H82	APS 60" FRAME WELDMENT ORANGE		
4.	313-495H	APS 72" FRAME WELDMENT		
4.	313-495H82	APS 72" FRAME WELDMENT ORANGE		
5.	313-793D	HITCH PLATE LH		
5.	313-793D82	HITCH PLATE LH ORANGE		
6.	313-795D	HITCH PLATE RH		
6.	313-795D82	HITCH PLATE RH ORANGE		
7.	802-068C	HHCS 3/4-10X4 GR5		
8.	802-091C	HHCS 1/2-13X1 1/2 GR5		
9.	802-224C	HHCS 1/4-20X1 1/4 GR5		
10.	803-027C	NUT HEX 3/4-10 PLT		
11.	803-169C	NUT HEX FLG LOCK 1/2-13 PLT		
12.	803-255C	NUT HEX NYLOCK 1/4-20		
13.	804-007C	WASHER FLAT 1/4 SAE PLT		
14.	804-016C	WASHER FLAT 1/2 SAE PLT		
15.	804-023C	WASHER LOCK SPRING 3/4 PLT		
16.	805-015C	PIN LINCH 5/16 X 1 3/4		
17.	805-041C	PIN ROLL 1/4X1 3/4		
18.	816-504C	MANUAL STORAGE CONTAINER		

Rear Roller Mount Arm S/N 659514-

Applies to APS1548, APS1560, APS1572, APS1586



30286

Rear Roller Mount Arm S/N 659514-**Applies to APS1548, APS1560, APS1572, APS1586**

Ref	Part No.	Part Description	Comments	Revision
	Dwg 30286	Drawing Image Number		
1.	307-100D	RPBY 307-213A	Obsolete	
2.	307-103D	FRONT ROLLER SPRING ROD 17 3/8		
3.	307-149V	RPBY 313-515A OR 313-516A	Obsolete	
4.	307-150H	PULV. RH FRONT TOWER WELDMENT		
5.	307-151H	PULV. LH FRONT TOWER WELDMENT		
6.	800-053C	SNAP RING INT3.523OD N5000-315		
7.	802-050C	HHCS 5/8-11X1 1/4 GR5		
8.	802-382C	HHCS 3/8-16X2 1/4 GR5		
9.	803-013C	NUT LOCK 3/8-16 PLT		
10.	803-025C	NUT HEX 3/4-10 PLT NYLOCK		
11.	803-299C	NUT HEX FLG TOP LK 3/4-10 PLT		
12.	804-022C	WASHER LOCK SPRING 5/8 PLT		
13.	804-029C	WASHER FLAT 1 SAE		
14.	804-192C	WASHER MACH 1.5X1.00X.075		
15.	807-005C	SPRING DISC ARM		
16.	822-172C	BRG INS 1.00IDX3.14OD SPH		

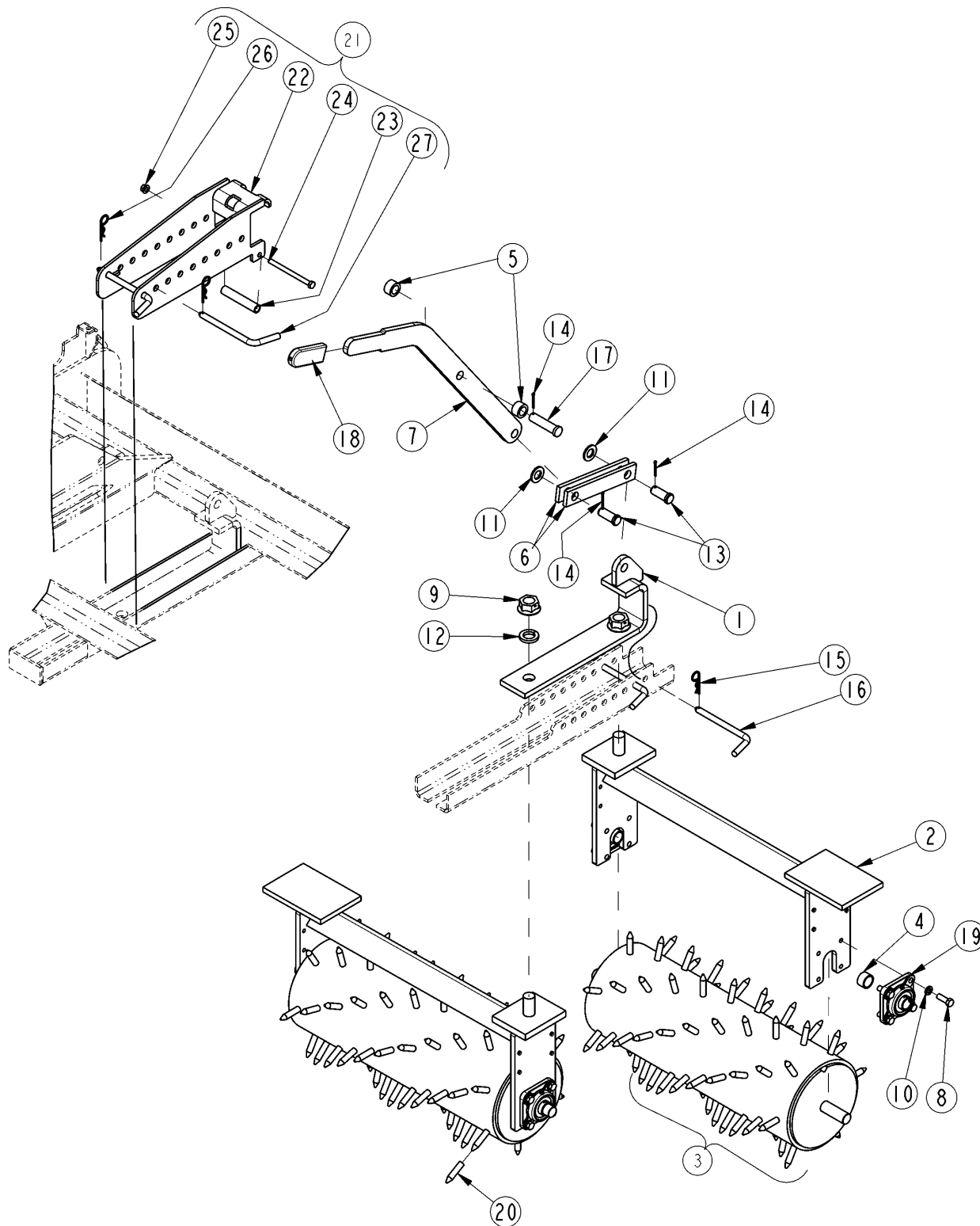
Rear Roller Mount Arm S/N 659515+**Applies to APS1548, APS1560, APS1572, APS1586**

Ref	Part No.	Part Description	Comments	Revision
	Dwg 30285	Drawing Image Number		
1.	313-499H	SPRING ROD WELDMENT		
2.	313-501H	SPRING TOWER WELDMENT		
3.	313-804D	SPRING ROD BUSHING		
4.	313-805D	FRONT ROLLER ARM		
5.	800-001C	GREASE ZERK STRAIGHT 1/4-28		
6.	802-034C	HHCS 1/2-13X1 1/4 GR5		
7.	802-038C	HHCS 1/2-13X2 1/4 GR5		
8.	802-050C	HHCS 5/8-11X1 1/4 GR5		
9.	802-079C	HHCS 3/8-16X1 1/4 GR5		
10.	803-299C	NUT HEX FLG TOP LK 3/4-10 PLT		
11.	804-013C	WASHER LOCK SPRING 3/8 PLT		
12.	804-015C	WASHER LOCK SPRING 1/2 PLT		
13.	804-017C	WASHER FLAT 1/2 USS PLT		
14.	804-022C	WASHER LOCK SPRING 5/8 PLT		
15.	804-029C	WASHER FLAT 1 SAE		
16.	804-192C	WASHER MACH 1.5X1.00X.075		
17.	807-005C	SPRING DISC ARM		
18.	822-326C	FLANGE BEARING 1ID X 4 BOLT	S/N 1172015+	
18.	822-249C	RPBY 822-326C	S/N 1172014-	

Roller Front

Applies to APS1548, APS1560, APS1572, APS1586

S/N 536655-



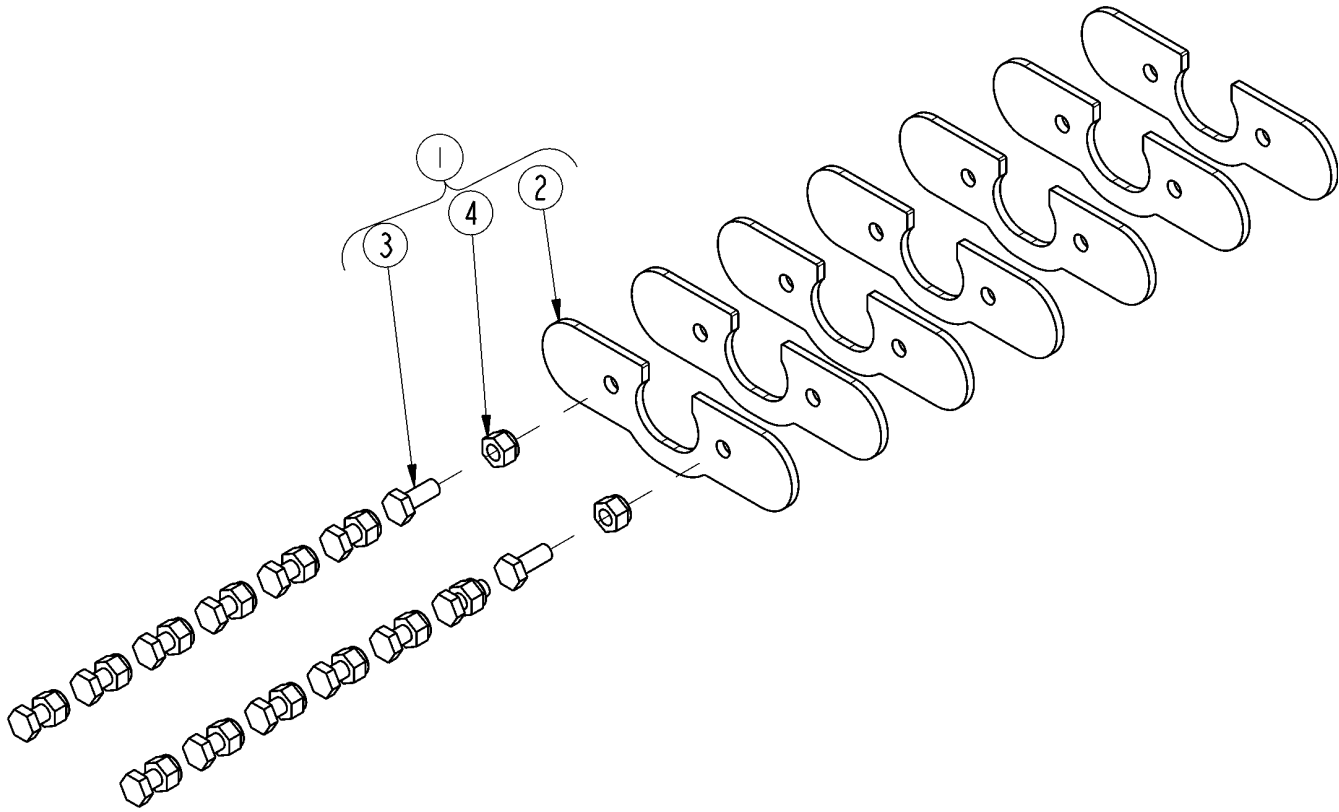
24917

Roller Front**Applies to APS1548, APS1560, APS1572, APS1586**

Ref	Part No.	Part Description	Comments	Revision
	dwg24917	Drawing Image Number		
1.	313-276H	SLIDE WELDMENT REN		
1.	313-276H82	SLIDE WELDMENT REN ORANGE		
2.	313-360H	APS 48" FRT ROLLER FRAME WELD	APS1548	
2.	313-248H	GANG FRAME WELDMENT 72"	APS1572	
2.	313-369H	APS 60" FRT ROLLER FRAME WELD	APS1560	
2.	313-441H	GANG FRAME WELD FRT APS86	APS1586	
3.	313-425H	SPIKE ROLLER WELD FRT APS48	APS1548 S/N 567003+	
3.	313-410H	RPBY 313-425H	APS1548 S/N 567002-	
3.	313-420H	SPIKE ROLLER WELD FRT APS72	APS1572S/N 547969+	
3.	313-402H	RPBY 313-420H	APS1572 S/N 547968-	
3.	313-370H	APS 60" FRONT ROLLER WELDMENT	APS1560	
3.	313-448H	ROTOR WELD FRT APS86	APS1586	
4.	313-650D	SPACER 1.25 ODX1.015 ID		
5.	313-651D	HANDLE SPACER		
6.	313-659D	LINKAGE, SLIDE		
6.	313-659D82	LINKAGE, SLIDE ORANGE		
7.	313-732D	HANDLE, SLIDE	S/N 536656+	
7.	313-732D82	HANDLE, SLIDE ORANGE		
7.	313-658D	HANDLE, SLIDE	S/N 536655-	
8.	802-673C	HHCS 7/16-14X1 1/4 GR5 PLT		
9.	803-258C	NUT HEX FLG LOCK 1-8 GR B PLT	S/N 536656+	
9.	803-031C	NUT HEX 1-8 PLT	S/N 536655-	
10.	804-014C	WASHER LOCK 7/16 PLT		
11.	804-025C	WASHER FLAT 3/4 SAE PLT		
12.	804-027C	WASHER LOCK SPRING 1 PLT	S/N 536655-	
13.	805-083C	PIN CLEVIS 3/4 X 1 1/2		
14.	805-109C	PIN COTTER 1/8 X 1 1/4 PLT		
15.	805-143C	PIN HAIR COTTER .120 PLT	S/N 536656+	
16.	805-271C	PIN BENT 1/2 X 5 1/2 PLT	S/N 536656+	
17.	805-318C	PIN CLEVIS 3/4 X 2 49/64 USBL	APS1548 APS1560 & APS1572	
17.	805-142C	PIN CLVS .75X3.26 USBL	APS1584	
18.	817-076C	HANDLE COVER 4 X 1 1/2 BLACK	S/N 563796+	
19.	822-251C	BRG, 1.00ID X 4 BOLT	S/N 659515+	
19.	822-085C	BRG FLG 1.00ID 4 BOLT	S/N 659514-	
20.	890-935C	ROLLER SPIKE	Welding Required	
21.	313-398K	STOP ASSEMBLY	Service Kit For S/N 536655-	
22.	313-397H	STOP WELDMENT	Service Part For S/N 536655-	
23.	313-726D	SPACER TUBE	Service Part For S/N 536655-	
24.	802-318C	HHCS 3/8-16X5 GR5	Service Part For S/N 536655-	
25.	803-209C	NUT FLANGE LOCK 3/8-16 PLT	Service Part For S/N 536655-	
26.	805-143C	PIN HAIR COTTER .120 PLT	Service Part For S/N 536655-	
27.	805-271C	PIN BENT 1/2 X 5 1/2 PLT	Service Part For S/N 536655-	

Bolt-on Agiator Extension Kit APS

Applies to APS1548, APS1560, APS1572, APS1586

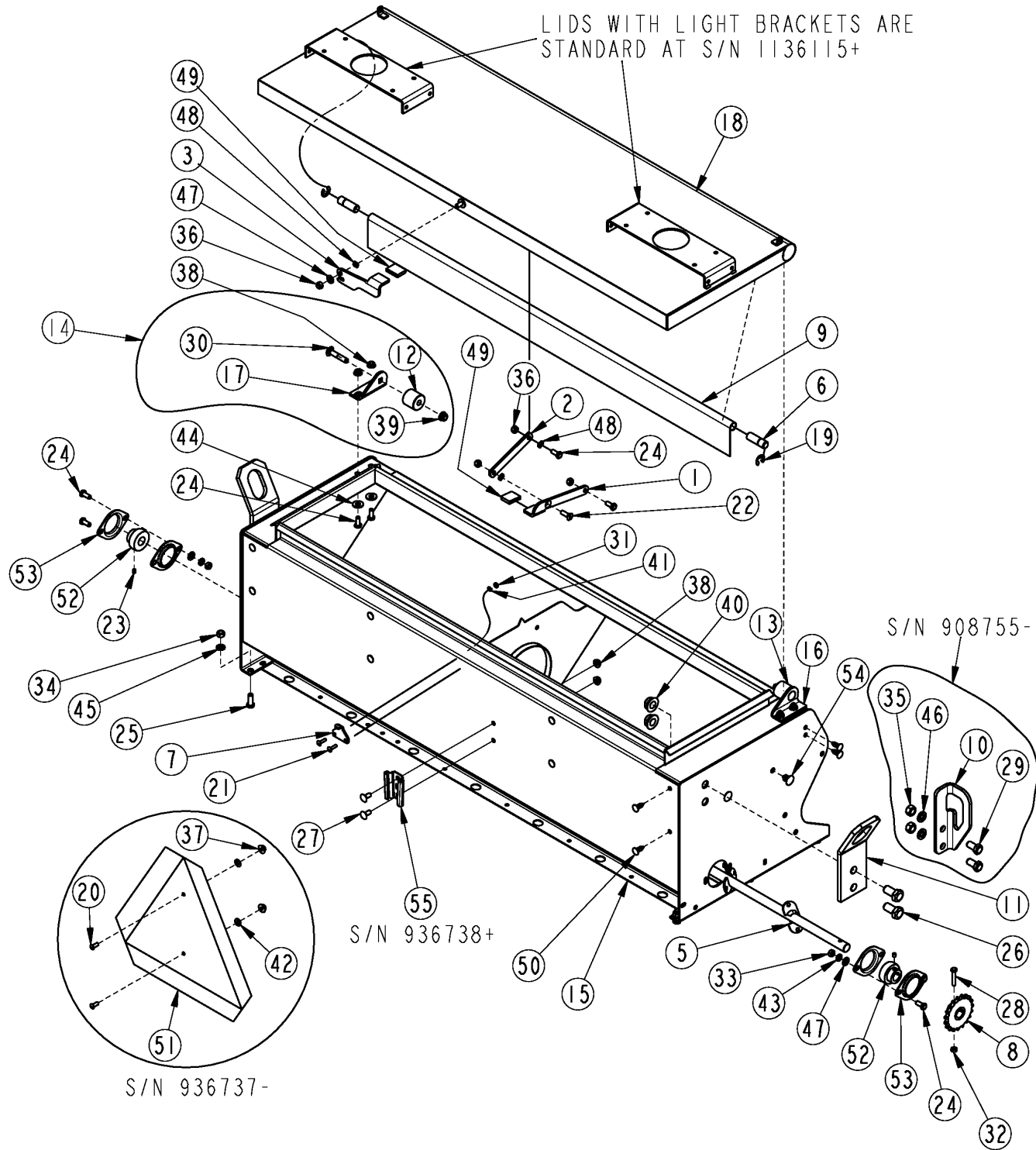


Bolt-on Agiator Extension Kit APS**Applies to APS1548, APS1560, APS1572, APS1586**

Ref	Part No.	Part Description	Comments	Revision
	dwg30281	Drawing Image Number		
1.	313-503A	AGITATOR EXTENTION KIT 48	Shown S/N 644707+	
1.	313-504A	AGITATOR EXTENSION KIT 60		
1.	313-505A	AGITATOR EXTENSION KIT 72	S/N 644707+	
1.	313-506A	AGITATOR EXTENSION KIT 86		
2.	313-791D	AGITATOR PADDLE EXTENDED		
3.	802-078C	HHCS 1/4-20X5/8 GR5		
4.	803-255C	NUT HEX NYLOCK 1/4-20		

Box Assembly

Applies to APS1548, APS1560, APS1572, APS1586



Box Assembly**Applies to APS1548, APS1560, APS1572, APS1586**

Ref	Part No.	Part Description	Comments	Revision
	Dwg 24918	Drawing Image Number		
1.	179-021D	LID LATCH - LOWER ARM	S/N 536656+	
1.	313-720D	LID LATCH LOWER ARM APS 48/72	S/N 536655-	
2.	179-022D	LID LATCH - UPPER ARM		
2.	308-393D	RPBY 179-022D	S/N 536656+	
2.	313-721D	LID LATCH UPPER ARM APS 48/72	S/N 536655-	
3.	179-023D	LID LATCH - HANDLE		
3.	308-394D	RPBY 179-023D	Obsolete	
5.	313-482H	AGITATOR WELD 48	S/N 644707+	
5.	308-085H	RPBY 313-482H	S/N 644706-	
5.	313-484H	AGITATOR WELD 72	S/N 644707+	
5.	308-003H	RPBY 313-484H	S/N 644706-	
5.	313-462H	60 AGITATOR WELDMENT		
5.	313-411H	86 AGITATOR WELDMENT		
6.	179-025D	SEED DIVERter PIN	S/N 573698-	
7.	179-030D	REAR LID LATCH STRIKE		
8.	202-002H	19T SPEED CHANGE SPROCKET		
9.	308-175D	SEED DIVERter OS1548	S/N 573698-	
9.	308-175D82	SEED DIVERter OS1548 ORANGE		
9.	308-117D	SEED DIVERter 72"	S/N 573698-	
9.	308-117D82	SEED DIVERter 72" ORANGE		
10.	308-193D	OS/PS SLING BKT	S/N 908755-	
11.	313-163D	SLING BRACKET PS25120	S/N 908756+	
12.	313-186D	LID HINGE PIVOT		
13.	313-381S	RIGHT HAND HINGE		
14.	313-382S	LEFT HAND HINGE		
15.	313-389H	SEED BOX WELDMENT 48"		
15.	313-389H82	SEED BOX WELDMENT 48" ORANGE		
15.	313-379H	APS1572 SEEDBOX		
15.	313-379H82	APS1572 SEEDBOX ORANGE		
15.	313-377H	SEEDBOX APS1560		
15.	313-377H82	SEEDBOX APS1560 ORANGE		
15.	313-403H	SEEDBOX APS1586		
15.	313-403H82	SEEDBOX APS1586 ORANGE		
16.	313-704D	RIGHT BRACKET		
17.	313-705D	LEFT BRACKET		
18.	313-962H	LID WELDMENT, 48" W/ LIGHTS	S/N 1136115+	
18.	308-368H	LID WELDMENT, 48"	S/N 573699 to S/N 1136114	
18.	308-368H82	LID WELDMENT, 48" ORANGE		
18.	308-081H	LID WELDMENT 4'	S/N 573698-	
18.	308-081H82	OVERSEEDER LID 4' ORANGE		
18.	313-961H	LID WELDMENT, 60" W/ LIGHTS	S/N 1136115+	
18.	313-378H	LID WELDMENT, 60"	S/N 1136114-	
18.	313-378H82	LID WELDMENT, 60" ORANGE		
18.	313-963H	LID WELDMENT, 72" W/LIGHTS	S/N 1136115+	
18.	308-366H	LID WELDMENT, 72"	S/N 573699 to S/N 1136114	
18.	308-366H82	LID WELDMENT, 72" ORANGE		
18.	308-002H	72 LID WELDMENT	S/N 573698-	
18.	308-002H82	72 LID WELDMENT ORANGE		
18.	313-973H	LID WELDMENT, 86" W/ LIGHTS	S/N 1136115+	
18.	313-400H	LID WELDMENT, 86"	S/N 1136114-	
18.	313-400H82	LID WELDMENT, 86" ORANGE		
19.	800-048C	SNAP RING EXT E 5/8	S/N 573698-	
20.	801-018C	SCREW RD HD 1/4-20 X 5/8	S/N 936737-	
21.	801-021C	SCREW RD HD 10-24 X 3/4 PLT		
22.	801-024C	SCREW 5/16-18X82DEG CNTSKX1P		
23.	801-045C	SCREW SET 1/4-28X1/4 KNL CUP		
24.	802-007C	HHCS 5/16-18X3/4 GR5		

Box Assembly (continued)**Applies to APS1548, APS1560, APS1572, APS1586**

Ref	Part No.	Part Description	Comments	Revision
25.	802-017C	HHCS 3/8-16X1 GR5		
26.	802-050C	HHCS 5/8-11X1 1/4 GR5	S/N 908756+	
27.	802-092C	RHSNB 5/16-18X3/4 GR5		
28.	802-167C	HHCS 1/4-20X1 1/2 GR5		
29.	802-258C	HHCS 1/2-13X1 GR5	S/N 908755-	
30.	802-411C	RHSNB 3/8-16X2 GR5		
31.	803-001C	NUT HEX 10-24 PLT		
32.	803-007C	NUT LOCK 1/4-20 PLT		
33.	803-008C	NUT HEX 5/16-18 PLT		
34.	803-014C	NUT HEX 3/8-16 PLT		
35.	803-020C	NUT HEX 1/2-13 PLT	S/N 908755-	
36.	803-084C	NUT HEX NYLOCK 5/16-18 PLT		
37.	803-088C	NUT HEX LOCK 1/4-20 FLG	S/N 936737-	
38.	803-177C	NUT HEX FLG TP LK 5/16-18ZNYCR	S/N 936738+	
39.	803-209C	NUT FLANGE LOCK 3/8-16 PLT		
40.	803-263C	NUT HEX FLANGE LOCK 5/8-11 PLT	S/N 908756+	
41.	804-004C	WASHER INTERNAL STAR #10 PLT		
42.	804-007C	WASHER FLAT 1/4 SAE PLT	S/N 936737-	
43.	804-009C	WASHER LOCK SPRING 5/16 PLT		
44.	804-010C	WASHER FLAT 5/16 USS PLT		
45.	804-013C	WASHER LOCK SPRING 3/8 PLT		
46.	804-015C	WASHER LOCK SPRING 1/2 PLT	S/N 908755-	
47.	804-036C	WASHER FLAT 5/16 SAE PLT		
48.	804-056C	WASHER WAVE SPRING 5/16		
49.	817-033C	LID LATCH GRIP		
50.	817-323C	NYLON RATCHET (TREE RIVET)	S/N 908756+	
51.	818-055C	DECAL SLOW MOVING-GALV. BACKED	S/N 936737-	
52.	822-040C	BRG INS .75IDX1.85OD SPH LCK		
53.	822-041C	FLANGETTE 47 MST		
54.	837-060C	NYLON RATCHET FASTENER 7/16 D.	S/N 908756+	
55.	890-401C	SMV MOUNTING SOCKET	S/N 936738+	

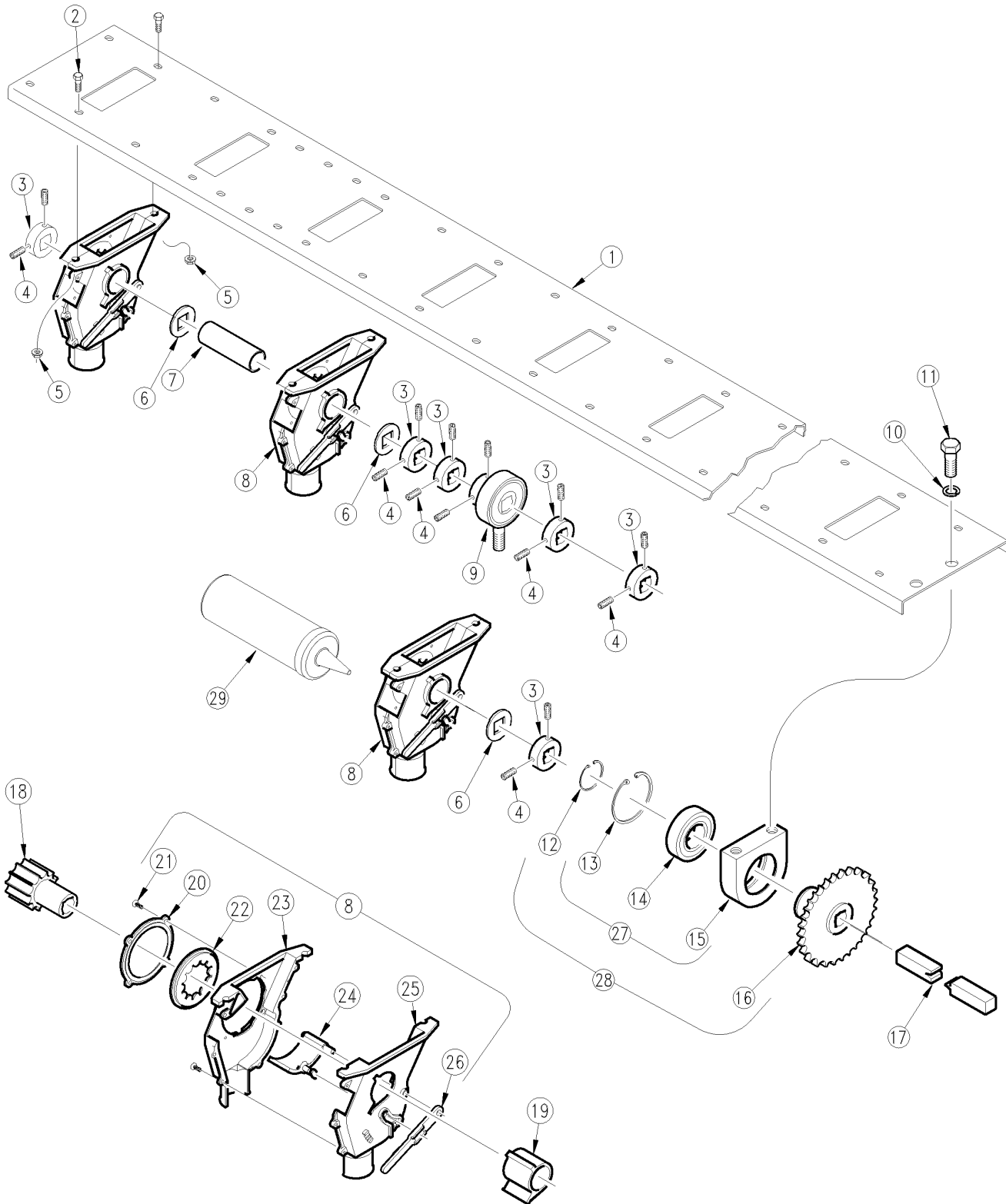
Box Assembly (continued)

Applies to APS1548, APS1560, APS1572, APS1586

This Page Intentionally Left Blank

Feeder Cup & Channel Assembly

Applies to APS1548, APS1560, APS1572, APS1586



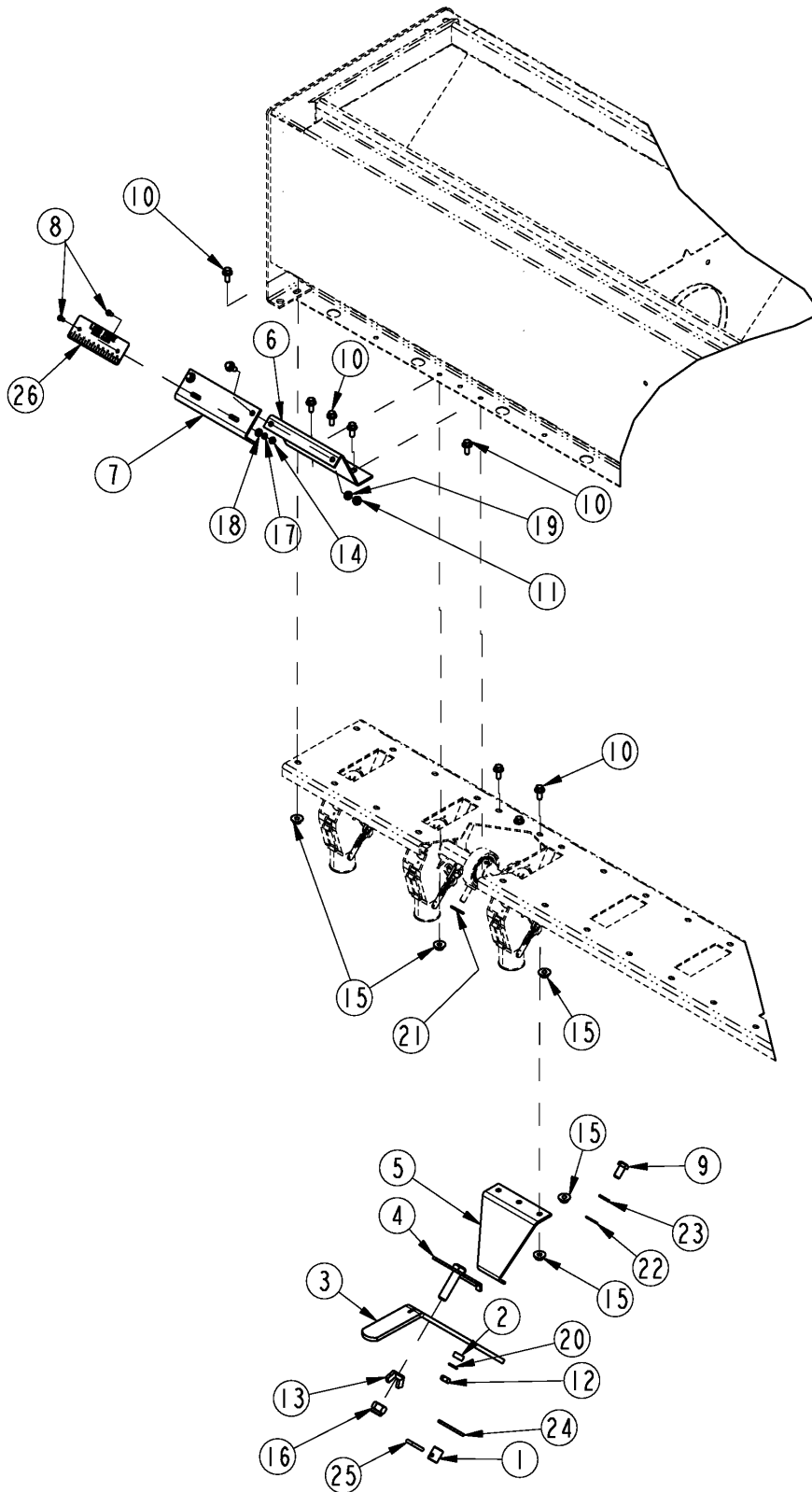
24922

Feeder Cup & Channel Assembly**Applies to APS1548, APS1560, APS1572, APS1586**

Ref	Part No.	Part Description	Comments	Revision
	dwg24922	Drawing Image Number		
1.	308-227D	FEEDER CUP CHANNEL	APS1572	
1.	308-227D82	FEEDER CUP CHNL OS1572 ORANGE		
1.	308-226D	FEEDER CUP CHANNEL	APS1548	
1.	308-226D82	FEEDER CUP CHNL OS1548 ORANGE		
1.	313-760D82	SEED CUP TRAY APS 86 ORANGE		
1.	313-760D	SEED CUP TRAY APS 86	APS1586	
1.	308-412D	60" FEEDER CUP CHANNEL	APS1560	
1.	308-412D82	60" FEEDER CUP CHANNEL ORANGE		
2.	802-004C	HHCS 1/4-20X3/4 GR5		
3.	890-350C	5/8" SHAFT LOCKING COLLAR		
4.	801-035C	SCREW SET 5/16-18 SKT KP X 3/8		
5.	803-194C	NUT HEX WHIZ 1/4-20 PLT		
6.	804-031C	WASHER RETAINING		
7.	308-234D	SPACER TUBE 4.898 LONG	APS1560,APS1572 & APS1584	
7.	308-253D	SPACER TUBE 4.991	APS1548	
8.	817-094C	SEED CUP ASSEMBLY-1 1/4"		
9.	308-004S	COLAR ADJUSTMENT ASY		
10.	804-015C	WASHER LOCK SPRING 1/2 PLT		
11.	802-032C	HHCS 1/2-13X3/4 GR5		
12.	800-004C	SNAP RING EXT BASIC 1 3/16		
13.	800-005C	RING FC HOUSING		
14.	822-059C	BEARING 206FF 30MM		
15.	176-006D	CUP DRIVE BRG. HOUSING		
16.	808-247C	SPKT 40A33 X .630 SQ BORE		
17.	308-010D	FEEDER CUP SHAFT	APS1572	
17.	308-165D	48 FEEDER CUP SHAFT	APS1548	
17.	308-411D	60" FEEDER CUP SHAFT	APS1560	
17.	313-759D	SEED CUP SHAFT APS 86	APS1586	
18.	890-595C	SPROCKET SHORT POWDERED METAL		
19.	308-022D	CUP SLEEVE		
20.	817-073C	SEED CUP WASHER RETAINER		
21.	801-057C	SCR SELF TAP 8X3/8 TYPE25 BT		
22.	817-004C	NYLON WASHER		
23.	817-096C	SEED CUP LEFT HALF		
24.	817-095C	SEED CUP DOOR		
25.	817-097C	SEED CUP RIGHT HALF		
26.	817-071C	SEED CUP ADJUSTMENT HANDLE		
27.	176-031V	CUP DRIVE BEARING HOUSING ASSY		
28.	308-036S	33 T DRIVE SPROCKET ASSEMBLY		
29.	821-042C	POWDERED GRAPHITE 1 LB BOTTLE		

Feeder Cup Adjustment Handle Assembly

Applies to APS1548, APS1560, APS1572, APS1586



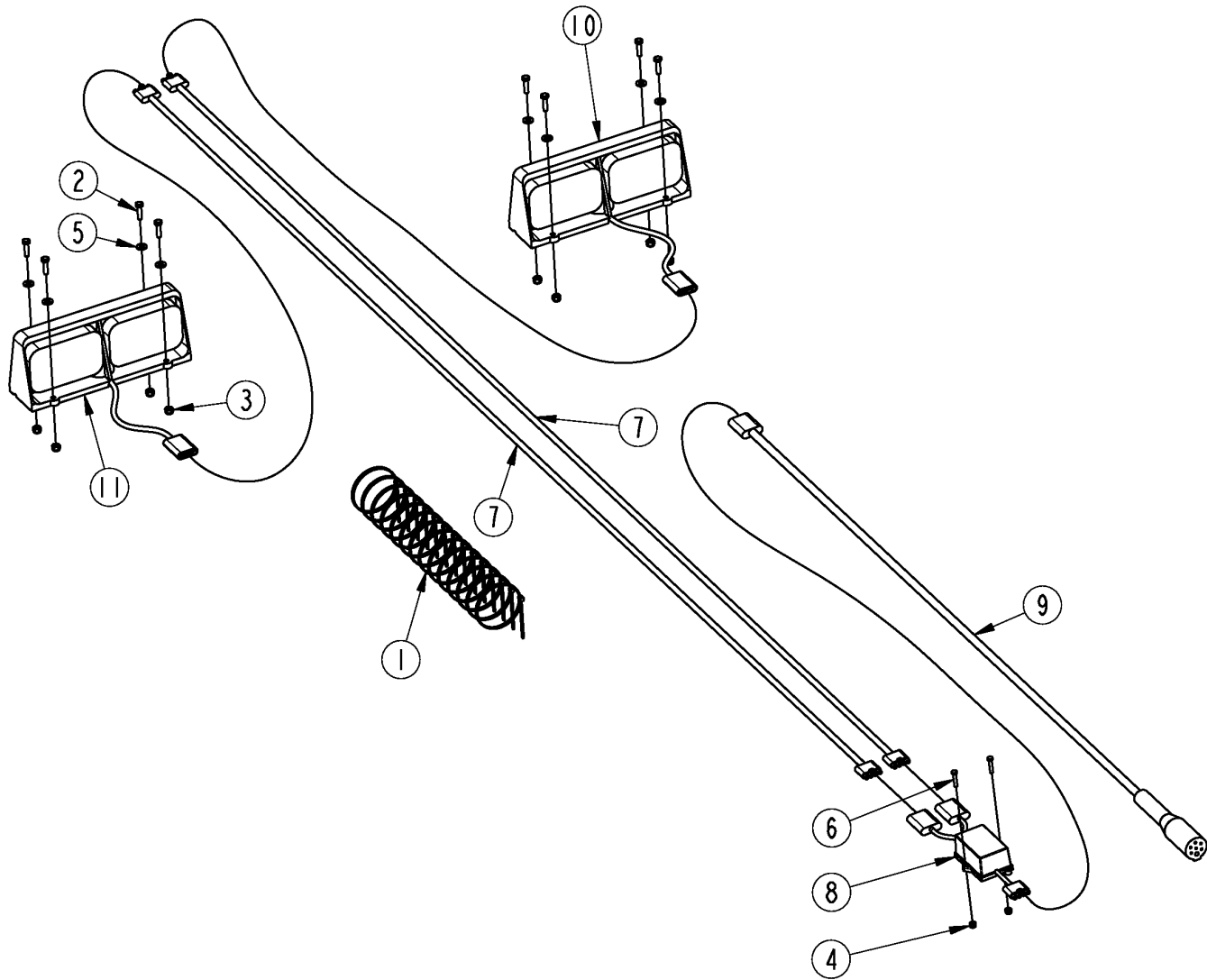
12936

Feeder Cup Adjustment Handle Assembly**Applies to APS1548, APS1560, APS1572, APS1586**

Ref	Part No.	Part Description	Comments	Revision
	dwg12936	Drawing Image Number		
1.	109-069D	ADJUSTMENT HANDLE PIVOT		
2.	308-015D	TUBE PIVOT .630ODX.34IDX.28L		
3.	308-306D	SEED RATE ADJ HANDLE BENT		
4.	308-334H	OS ADJ LOCK PLT ASY		
5.	313-054D	PIVOT MTG ADJ HANDLE		
6.	313-055D	GAUGE MTG PLATE		
6.	313-055D82	GAUGE MTG PLATE ORANGE		
7.	313-056D	SEED GAUGE PLT. MTG		
7.	313-056D82	SEED GAUGE PLT. MTG ORANGE		
8.	801-001C	SCREW RD HD 8-32 X 3/8 BRASS		
9.	802-014C	HHCS 3/8-16X3/4 GR5		
10.	802-196C	HFSS 1/4-20X5/8 GR5		
11.	803-006C	NUT HEX 1/4-20 PLT		
12.	803-008C	NUT HEX 5/16-18 PLT		
13.	803-016C	NUT WING 1/2-13 PLT		
14.	803-035C	NUT HEX 8-32 BRASS		
15.	803-088C	NUT HEX LOCK 1/4-20 FLG		
16.	803-147C	NUT HEX NYLOCK 1/2-13	S/N 859902+	
17.	804-002C	WASHER INTERNAL STAR #8 BRASS		
18.	804-003C	WASHER FLAT #8 BRASS		
19.	804-006C	WASHER LOCK SPRING 1/4 PLT		
20.	804-009C	WASHER LOCK SPRING 5/16 PLT		
21.	804-010C	WASHER FLAT 5/16 USS PLT		
22.	804-012C	WASHER FLAT 3/8 SAE PLT		
23.	804-013C	WASHER LOCK SPRING 3/8 PLT		
24.	804-019C	WASHER FLAT 5/8 USS PLT		
25.	805-016C	PIN COTTER 3/16 X 1 1/4 PLT		
26.	819-086C	NAME PLATE ADJ. GUIDE SHORT		

Seeder Light Kit S/N 1136115+

Applies to APS1548, APS1560, APS1572, APS1586



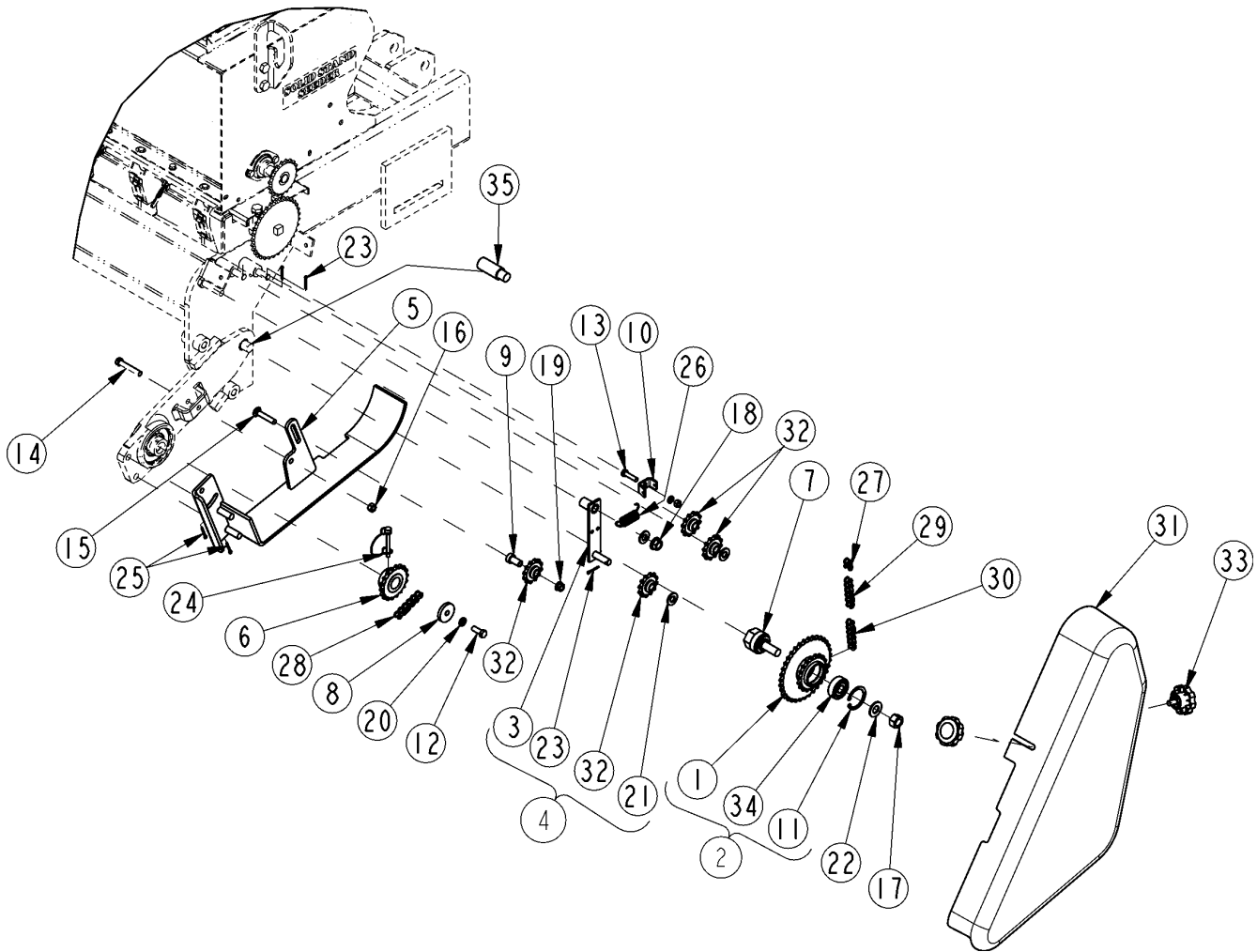
70084

Seeder Light Kit S/N 1136115+**Applies to APS1548, APS1560, APS1572, APS1586**

Ref	Part No.	Part Description	Comments	Revision
	Dwg 70084 313-970L	Image No. SEEDER LIGHT KIT *		
1.	800-060C	CABLE TIE .19X14.25 3DIA 50LB		
2.	802-005C	HHCS 1/4-20X1 GR5		
3.	803-255C	NUT HEX NYLOCK 1/4-20		
4.	803-268C	NUT HEX NYLOCK 10-24 PLT		
5.	804-007C	WASHER FLAT 1/4 SAE PLT		
6.	842-265C	HHCS #10-24X1 GR5		
7.	891-529C	LIGHT WIRE HARNESS 8'		
8.	891-531C	ENHANCE MODULE		
9.	891-786C	LEAD WIRE HARNESS 5'		
10.	891-794C	DUAL INCANDESCENT LIGHT LH		
11.	891-795C	DUAL INCANDESCENT LIGHT RH		

Drive Components (S/N 659514-)

Applies to APS1548, APS1560, APS1572, APS1586



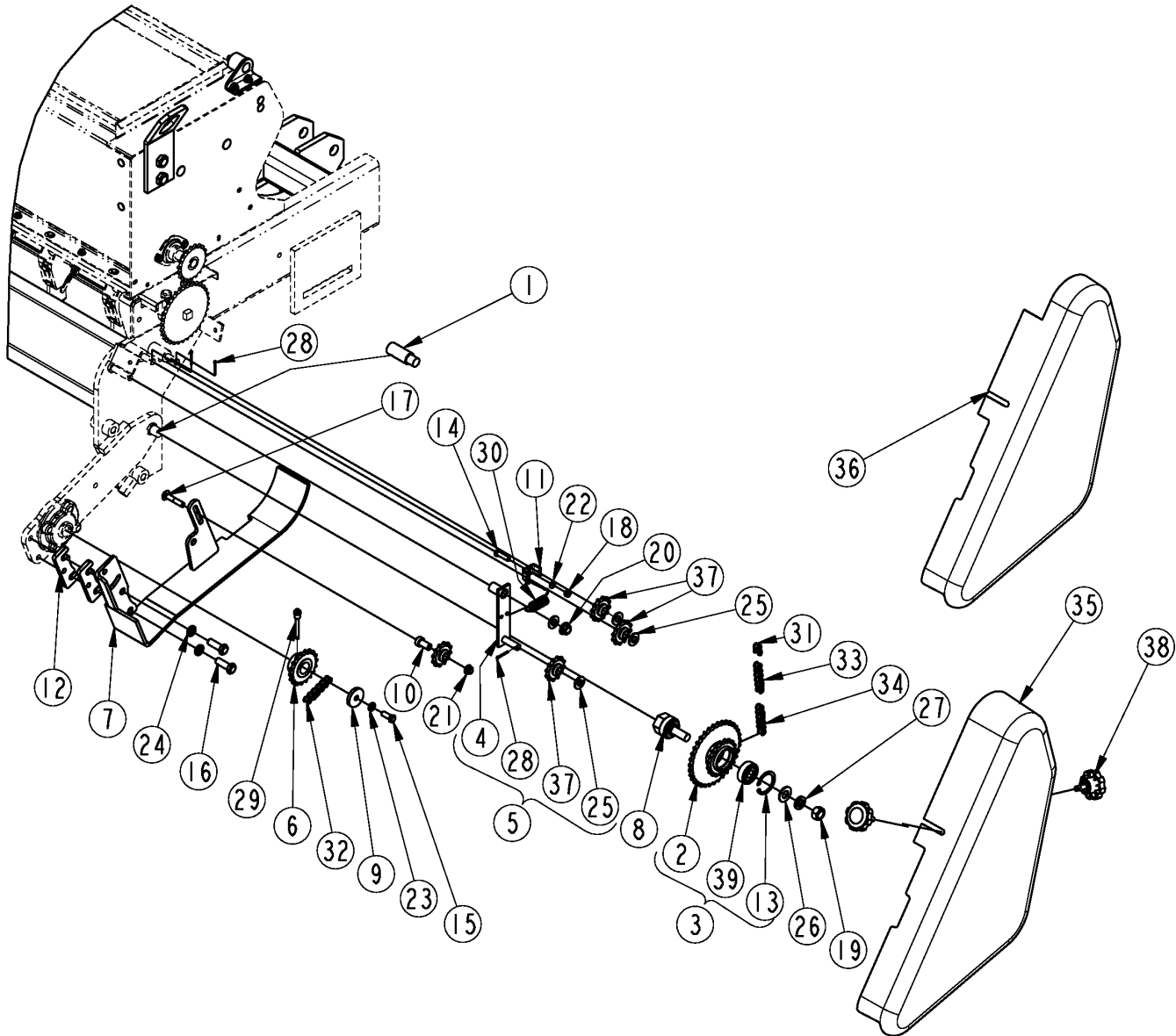
24919

Drive Components (S/N 659514-)**Applies to APS1548, APS1560, APS1572, APS1586**

Ref	Part No.	Part Description	Comments	Revision
	dwg24919	Drawing Image Number		
1.	308-024H	OVERSEEDER SPEED CHANGE SPRKT		
2.	308-041K	SPEED CHG SPROCKET ASSEMBLY		
3.	308-107H	DRIVE IDLER ARM		
4.	308-128S	LOWER CHAIN TENSIONER ASSY		
5.	313-352H	CHAIN GUARD WELDMENT		
6.	313-353H	SPROCKET WELDMENT		
7.	313-652D	STUB PIVOT 3.07L		
8.	313-669D	SPROCKET WASHER		
9.	313-679D	IDLER BUSHING		
10.	313-682D	SPRING ANCHOR		
11.	800-070C	SNAP RING INT 1.812		
12.	802-017C	HHCS 3/8-16X1 GR5		
13.	802-010C	HHCS 5/16-18X1 1/4 GR5		
14.	802-382C	HHCS 3/8-16X2 1/4 GR5		
15.	802-411C	RHSNB 3/8-16X2 GR5		
16.	803-013C	NUT LOCK 3/8-16 PLT		
17.	803-021C	NUT HEX 5/8-11 PLT		
18.	803-169C	NUT HEX FLG LOCK 1/2-13 PLT		
19.	803-209C	NUT FLANGE LOCK 3/8-16 PLT		
20.	804-013C	WASHER LOCK SPRING 3/8 PLT		
21.	804-016C	WASHER FLAT 1/2 SAE PLT		
22.	804-021C	WASHER FLAT 5/8 SAE PLT		
23.	805-064C	PIN COTTER 7/64 X 1 LONG		
24.	805-065C	PIN WIRE RETAINING 1/4 X 1 3/4	Replace W/ 313-528S	
25.	805-363C	PIN COTTER 1/8 X 1		
26.	807-025C	SPRING EXT IDLER		
27.	809-070C	CHAIN CONNECTOR LINK #40 OFFST		
28.	809-078C	CHAIN #40 X 64 PITCHES		
29.	809-091C	CHAIN RL #40 X 8 PITCHES		
30.	809-299C	CHAIN #40 92 PITCH W/CON		
31.	816-549C	CHAIN COVER UPPER	Modification Required W/ Small Seed Attachment See Section 7	
32.	817-025C	NO. 40 12T IDLER SPKT.		
33.	817-358C	KNOB 3/8-16 MALE THD 2 3/8OD		
34.	822-067C	BRG 1.00IDX1.78OD DBL SEAL		
35.	307-009D	ROLLER ARM PIVOT	Welding Required	

Drive Components (S/N 659515+)

Applies to APS1548, APS1560, APS1572, APS1586



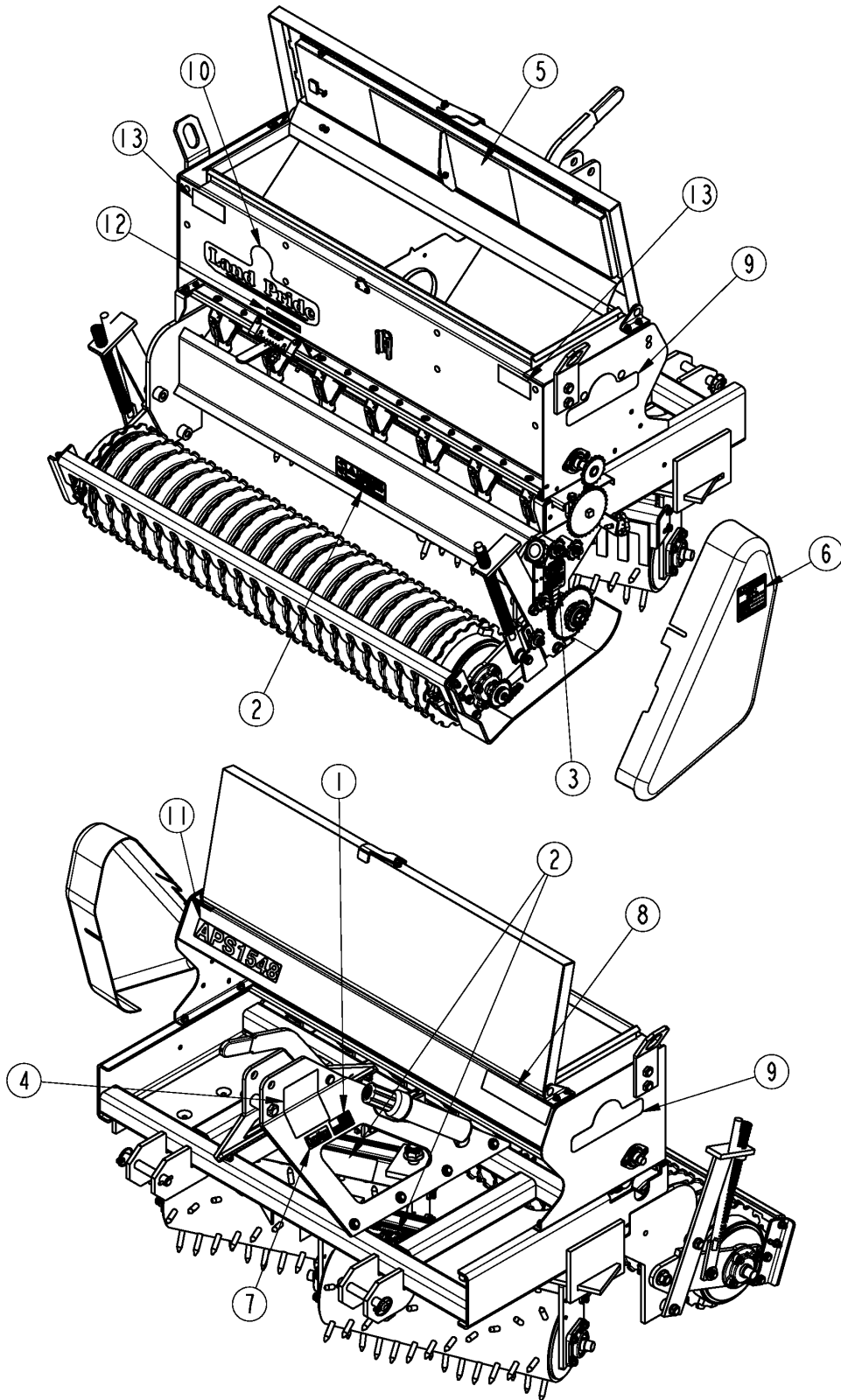
30840

Drive Components (S/N 659515+)**Applies to APS1548, APS1560, APS1572, APS1586**

Ref	Part No.	Part Description	Comments	Revision
	dwg30840	Drawing Image Number		
1.	307-009D	ROLLER ARM PIVOT	Welding Required	
2.	308-024H	OVERSEEDER SPEED CHANGE SPRKT		
3.	308-041K	SPEED CHG SPROCKET ASSEMBLY		
4.	308-107H	DRIVE IDLER ARM		
5.	308-128S	LOWER CHAIN TENSIONER ASSY		
6.	313-353H	SPROCKET WELDMENT		
7.	313-502H	CHAIN GUARD WELDMENT		
8.	313-652D	STUB PIVOT 3.07L		
9.	313-669D	SPROCKET WASHER		
10.	313-679D	IDLER BUSHING		
11.	313-682D	SPRING ANCHOR		
12.	313-809D	SPACER PLATE		
13.	800-070C	SNAP RING INT 1.812		
14.	802-010C	HHCS 5/16-18X1 1/4 GR5		
15.	802-017C	HHCS 3/8-16X1 GR5		
16.	802-091C	HHCS 1/2-13X1 1/2 GR5		
17.	802-411C	RHSNB 3/8-16X2 GR5		
18.	803-008C	NUT HEX 5/16-18 PLT		
19.	803-021C	NUT HEX 5/8-11 PLT		
20.	803-169C	NUT HEX FLG LOCK 1/2-13 PLT		
21.	803-209C	NUT FLANGE LOCK 3/8-16 PLT		
22.	804-009C	WASHER LOCK SPRING 5/16 PLT		
23.	804-013C	WASHER LOCK SPRING 3/8 PLT		
24.	804-015C	WASHER LOCK SPRING 1/2 PLT		
25.	804-016C	WASHER FLAT 1/2 SAE PLT		
26.	804-021C	WASHER FLAT 5/8 SAE PLT		
27.	804-022C	WASHER LOCK SPRING 5/8 PLT		
28.	805-064C	PIN COTTER 7/64 X 1 LONG		
29.	313-528S	PIN POSITIVE LOCK W/O D-RING	S/N 776882+	
29.	805-065C	PIN WIRE RETAINING 1/4 X 1 3/4	S/N 776881- Replace W/ 313-528S	
30.	807-025C	SPRING EXT IDLER		
31.	809-070C	CHAIN CONNECTOR LINK #40 OFFST		
32.	809-078C	CHAIN #40 X 64 PITCHES		
33.	809-091C	CHAIN RL #40 X 8 PITCHES		
34.	809-299C	CHAIN #40 92 PITCH W/CON		
35.	816-549C	CHAIN COVER UPPER	THIS COVER USED WITH NO SMALL SEEDS BOX OPTION.	
36.	816-840C	CHAIN COVER UPPER W/CUTOUT	THIS COVER USED WITH SMALL SEEDS BOX OPTION	
37.	817-025C	NO. 40 12T IDLER SPKT.		
38.	817-358C	KNOB 3/8-16 MALE THD 2 3/8OD		
39.	822-067C	BRG 1.00IDX1.78OD DBL SEAL		

Decal Placement

Applies to APS1548, APS1560, APS1572, APS1586



39518

Decal Placement**Applies to APS1548, APS1560, APS1572, APS1586**

Ref	Part No.	Part Description	Comments	Revision
	Dwg 24920	Drawing Image Number		
1.	818-190C	DECAL FLAG		
2.	818-254C	DECAL DANGER ROTATING ROLLER		
3.	818-543C	DECAL DANGER PD GUARD MISS SML		
4.	818-858C	DECAL WARNING GENERAL SAFTEY		
5.	818-869C	DECAL SEEDER SEED RATE CHART		
6.	838-111C	DECAL DANGER MOVING PARTS		
7.	838-517C	DECAL QUICK HITCH SYSTEM		
8.	838-615C	DECAL REFLECTOR AMBER 2X9		
9.	838-963C	DECAL LP 10" W/TREE BROWN/GOLD	Orange Unit	
9.	818-890C	RPBY 838-963C	Beige Unit	
10.	838-964C	DECAL LP 16" W/TREE BROWN/GOLD	Orange Unit	
10.	818-893C	RPBY 838-964C	Beige Unit	
11.	848-070C	DECAL APS1548 - GOLD		
11.	848-205C	RPBY 848-070C	Obsolete	
11.	848-072C	DECAL APS1572 - GOLD		
11.	848-206C	RPBY 848-072C	Obsolete	
11.	848-071C	DECAL APS1560 - GOLD		
11.	848-258C	RPBY 848-071C	Obsolete	
11.	848-256C	DECAL APS1586 - GOLD		
11.	848-257C	RPBY 848-256C	Obsolete	
12.	848-540C	DECAL RAISE SEEDER		
13.	858-095C	DECAL REFLECTOR RED 2X4.5	APS1548 & APS1560 S/N 819231+	
13.	838-614C	DECAL REFLECTOR RED 2X9	APS1572 & APS1586 S/N 819231+	

Land Pride Touch-up Paints

Applies to APS1548, APS1560, APS1572, APS1586

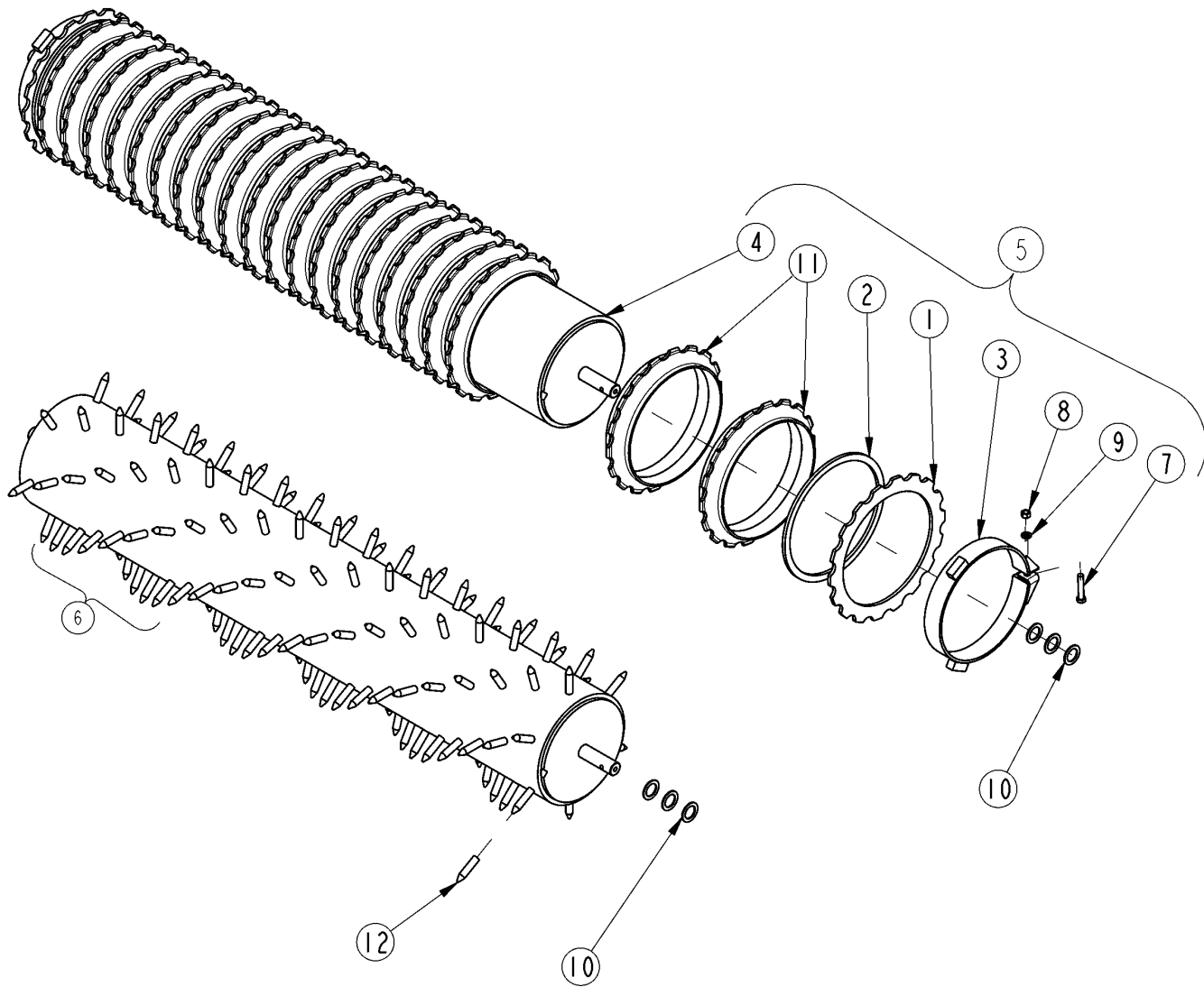
No diagram associated with this Parts List

Land Pride Touch-up Paints**Applies to APS1548, APS1560, APS1572, APS1586**

Ref	Part No.	Part Description	Comments	Revision
1.	821-011C	LP BEIGE SPRAY CAN	Spray can	
1.	821-070C	GLOSS BLACK SPRAY CAN	Spray can	
1.	821-054C	MED. RED SPRAY TRCK/CTR	Spray can	
1.	821-058C	GREEN SPRAY CUTTERS	Spray can	
1.	821-066C	ORANGE SPRAY CAN	Spray can	
1.	821-067C	BLUE SPRAY CAN	Spray can	
1.	821-080C	PAINT ALUMINUM/ZINC SPRAY CAN	Spray can	
2.	821-011CTU	LP BEIGE TOUCH-UP 5OZ	Touch-up bottle with brush	
2.	821-070CTU	GLOSS BLACK TOUCH-UP 5OZ	Touch-up bottle with brush	
2.	821-054CTU	MED RED TOUCH-UP 5OZ	Touch-up bottle with brush	
2.	821-058CTU	GREEN TOUCH-UP 5OZ	Touch-up bottle with brush	
2.	821-066CTU	ORANGE TOUCH-UP 5OZ	Touch-up bottle with brush	
2.	821-067CTU	BLUE TOUCH-UP 5OZ	Touch-up bottle with brush	
2.	821-080CTU	PAINT ALUMINUM/ZINC TOUCH UP	Touch-up bottle with brush	
3.	821-011CQT	LP BEIGE QUART	Quart can	
3.	821-070CQT	GLOSS BLACK QUART	Quart can	
3.	821-054CQT	MED RED QUART	Quart can	
3.	821-058CQT	GREEN QUART	Quart can	
3.	821-066CQT	ORANGE QUART	Quart can	
3.	821-067CQT	BLUE QUART	Quart can	
3.	821-080CQT	PAINT ALUMINUM/ZINC QUART	Quart can	
4.	821-011CGL	LP BEIGE GALLON	Gallon can	
4.	821-070CGL	GLOSS BLACK GALLON	Gallon can	
4.	821-054CGL	MED RED GALLON	Gallon can	
4.	821-058CGL	GREEN GALLON	Gallon can	
4.	821-066CGL	ORANGE GALLON	Gallon can	
4.	821-067CGL	BLUE GALLON	Gallon can	
4.	821-080CGL	PAINT ALUMINUM/ZINC GALLON	Gallon can	

Roller Rear, Notched or Spiked

Applies to APS1548, APS1560, APS1572, APS1586



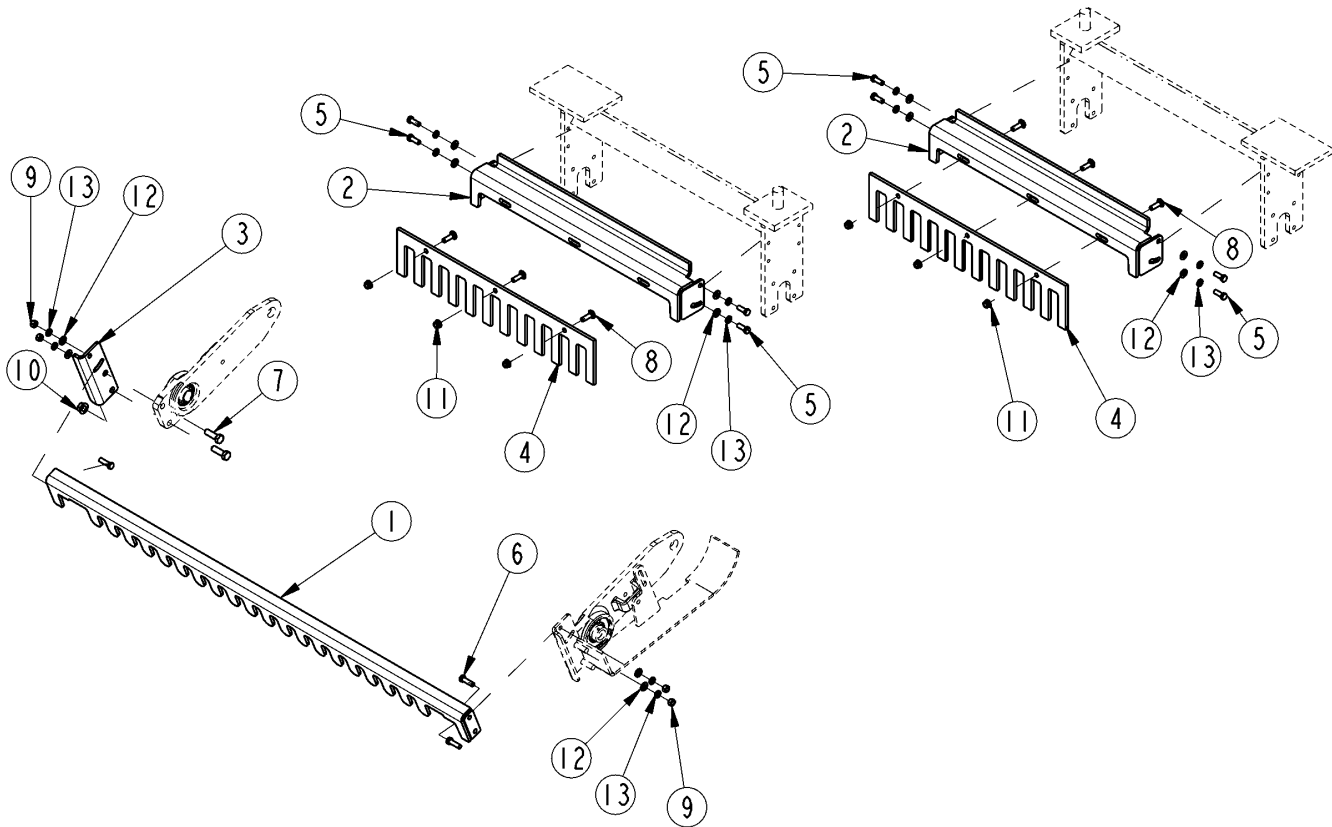
25595

Roller Rear, Notched or Spiked**Applies to APS1548, APS1560, APS1572, APS1586**

Ref	Part No.	Part Description	Comments	Revision
	dwg25595	Drawing Image Number		
1.	308-360D	12 ROLLER SPACER 1/4		
2.	308-399D	PACKER WHEEL 1/4 SPACER PLATE		
3.	313-006H	FRONT ROLLER CLAMP		
4.	313-365F	APS 48" REAR ROLLER SUBWELD		
4.	313-274F	APS 72" REAR ROLLER SUBWELD		
4.	313-374F	APS 60" REAR ROLLER SUBWELD		
4.	313-443F	ROTOR SUBWELD REAR APS86		
5.	313-393S	REAR PACKER ROLLER ASSY APS1548		
5.	313-391S	REAR PACKER ROLLER ASSY APS1572		
5.	313-438S	PACKER ROLLER REAR APS60		
5.	313-445S	PACKER ROLLER ASSY APS86		
6.	313-428H	SPIKE ROLLER WELD REAR APS48	S/N 567003+	
6.	313-409H	RPBY 313-428H	S/N 567002-	
6.	313-423H	SPIKE ROLLER WELD REAR APS72	S/N 547969+	
6.	313-404H	RPBY 313-423H	S/N 547968-	
6.	313-373H	APS 60" REAR ROLLER WELDMENT		
6.	313-446H	SPIKE ROLLER WELD REAR APS86		
7.	802-143C	HHCS 3/8-16X2 GR5		
8.	803-014C	NUT HEX 3/8-16 PLT		
9.	804-013C	WASHER LOCK SPRING 3/8 PLT		
10.	804-192C	WASHER MACH 1.5X1.00X.075		
11.	812-056C	ROLLER WHEEL 12		
12.	890-935C	ROLLER SPIKE	Welding Required	

Scrapers, Notched Roller (S/N 659514-)

Applies to APS1548, APS1560, APS1572, APS1586

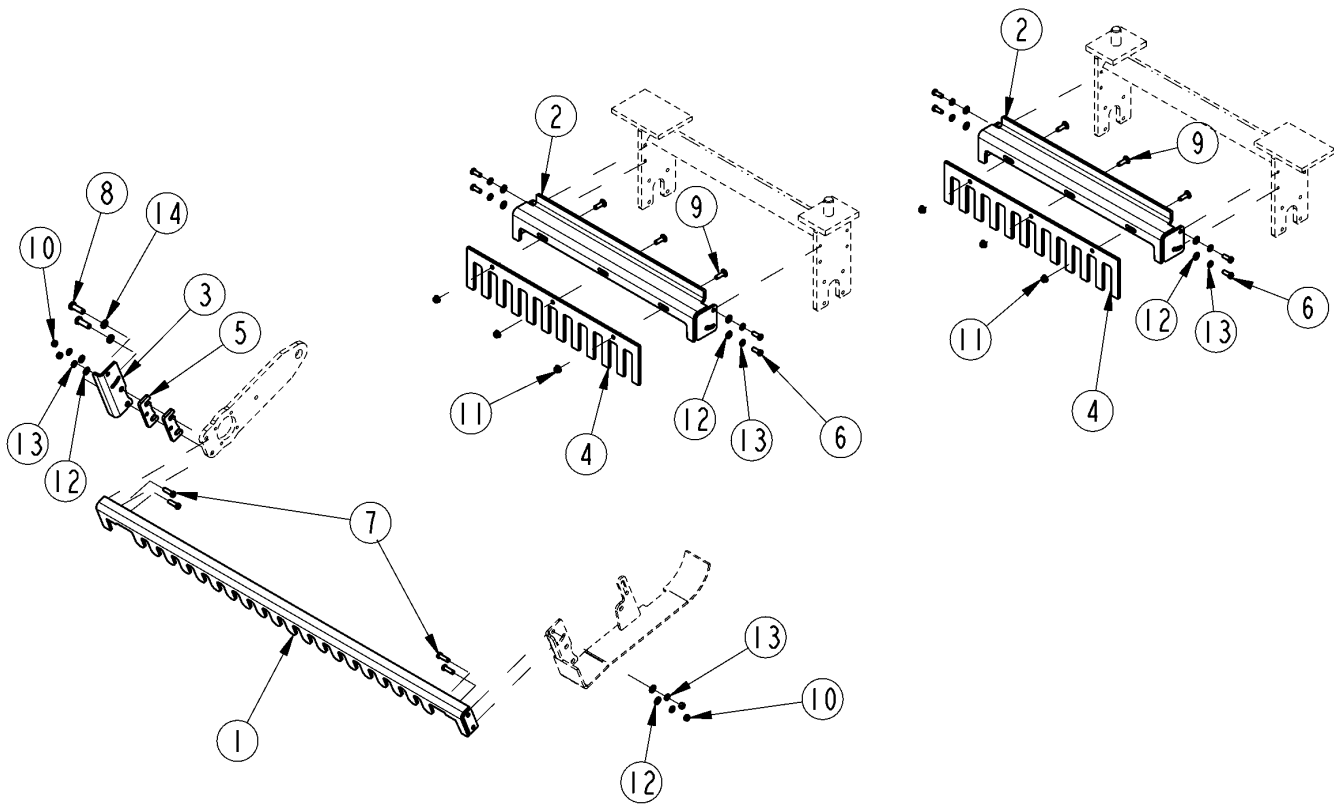


Scrapers, Notched Roller (S/N 659514-)**Applies to APS1548, APS1560, APS1572, APS1586**

Ref	Part No.	Part Description	Comments	Revision
	dwg25594	Drawing Image Number		
	313-432A	PACKER SCRAPER BUNDLE APS48	S/N 567003+	
	313-430A	PACKER SCRAPER BUNDLE APS72	S/N 547969+	
	313-459A	PACKER SCRAPER BUNDLE APS60		
	313-453A	PACKER SCRAPER BUNDLE APS86		
		*		
1.	313-413H	PACKER SCRAPER WLD REAR APS48		
1.	313-399H	PACKER SCRAPER WLD REAR APS72		
1.	313-439H	PACKER SCRAPER WELD APS60		
1.	313-452H	PACKER SCRAPER WELD APS86		
2.	313-426H	SCRAPER HANGER WLD FRT APS48		
2.	313-421H	SCRAPER HANGER WELDMENT APS72		
2.	313-434H	SCRAPER HANGER WLD FRT APS60		
2.	313-450H	SPIKE SCRAPER MNT FRT APS86		
3.	313-719D	SCRAPER MOUNT LH		
4.	313-742D	SPIKE SCRAPER APS48		
4.	313-739D	SPIKE SCRAPER APS72		
4.	313-747D	SPIKE SCRAPER APS60		
4.	313-763D	SCRAPER PLAQUE APS86		
5.	802-017C	HHCS 3/8-16X1 GR5		
6.	802-079C	HHCS 3/8-16X1 1/4 GR5		
7.	802-091C	HHCS 1/2-13X1 1/2 GR5		
8.	802-155C	RHSNB 3/8-16X1 1/4 GR5		
9.	803-014C	NUT HEX 3/8-16 PLT		
10.	803-169C	NUT HEX FLG. LOCK 1/2-13 PLT.		
11.	803-209C	NUT FLANGE LOCK 3/8-16 PLT		
12.	804-012C	WASHER FLAT 3/8 SAE PLT		
13.	804-013C	WASHER LOCK SPRING 3/8 PLT		

Scrapers, Notched Roller (S/N 659515+)

Applies to APS1548, APS1560, APS1572, APS1586

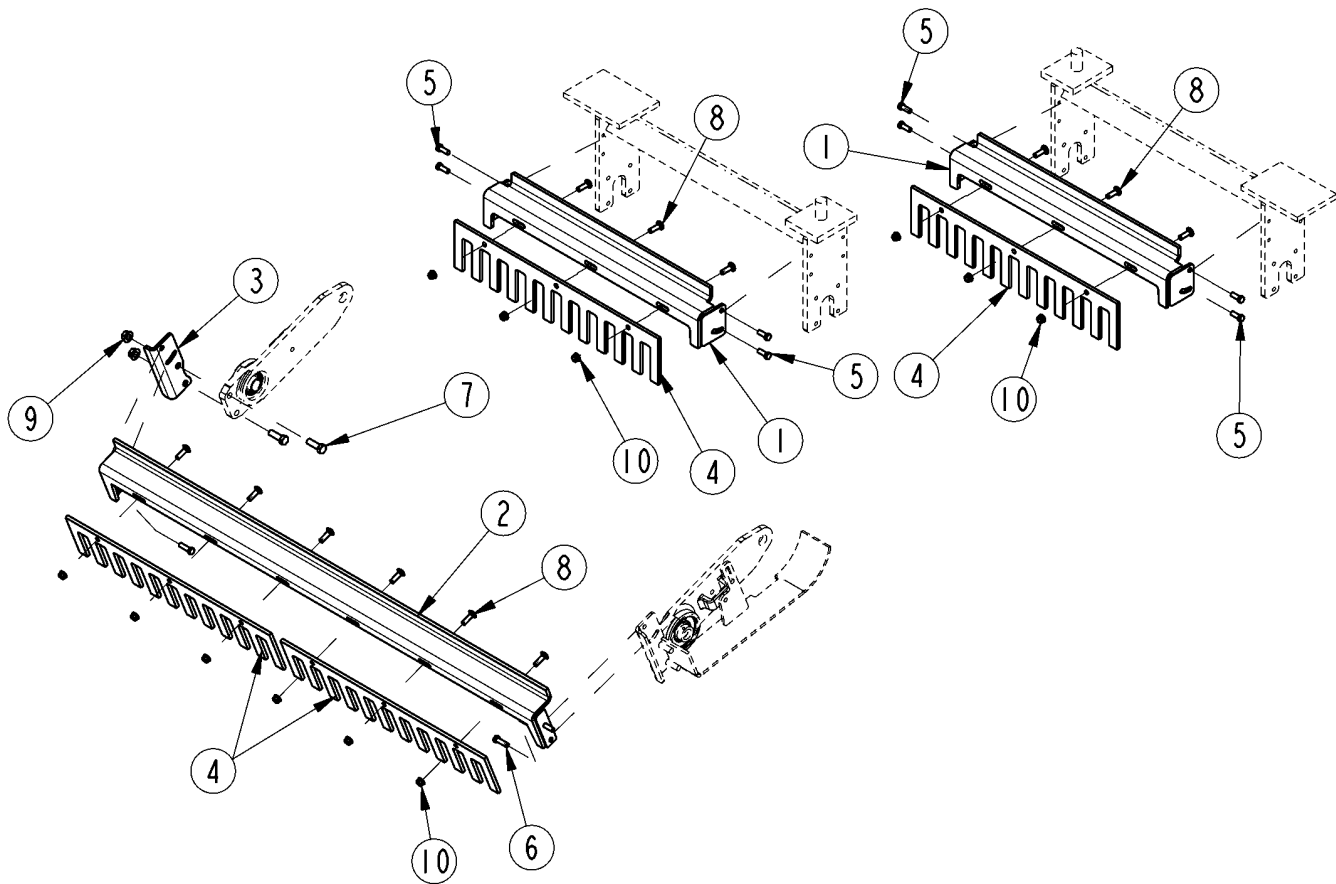


Scrapers, Notched Roller (S/N 659515+)**Applies to APS1548, APS1560, APS1572, APS1586**

Ref	Part No.	Part Description	Comments	Revision
	dwg30841	Drawing Image Number		
	313-432A	PACKER SCRAPER BUNDLE APS48		
	313-430A	PACKER SCRAPER BUNDLE APS72		
	313-459A	PACKER SCRAPER BUNDLE APS60		
	313-453A	PACKER SCRAPER BUNDLE APS86		
		*		
1.	313-413H	PACKER SCRAPER WLD REAR APS 48		
1.	313-399H	PACKER SCRAPER WELD APS72		
1.	313-439H	PACKER SCRAPER WLD REAR APS60		
1.	313-452H	PACKER SCRAPER WLD REAR APS86		
2.	313-426H	SCRAPER HANGER WLD FRT APS48		
2.	313-421H	SCRAPER HANGER WLD FRT APS72		
2.	313-434H	SCRAPER HANGER WLD FRT APS60		
2.	313-450H	SCRAPER HANGER WLD FRT APS86		
3.	313-719D	SCRAPER MOUNT LH		
4.	313-742D	SPIKE SCRAPER APS48		
4.	313-739D	SPIKE SCRAPER APS72		
4.	313-747D	SPIKE SCRAPER APS60		
4.	313-763D	SPIKE SCRAPER APS86		
5.	313-809D	SPACER PLATE		
6.	802-017C	HHCS 3/8-16X1 GR5		
7.	802-079C	HHCS 3/8-16X1 1/4 GR5		
8.	802-091C	HHCS 1/2-13X1 1/2 GR5		
9.	802-155C	RHSNB 3/8-16X1 1/4 GR5		
10.	803-014C	NUT HEX 3/8-16 PLT		
11.	803-209C	NUT FLANGE LOCK 3/8-16 PLT		
12.	804-012C	WASHER FLAT 3/8 SAE PLT		
13.	804-013C	WASHER LOCK SPRING 3/8 PLT		
14.	804-015C	WASHER LOCK SPRING 1/2 PLT		

Scrapers, Spike Roller (S/N 659514-)

Applies to APS1548, APS1560, APS1572, APS1586



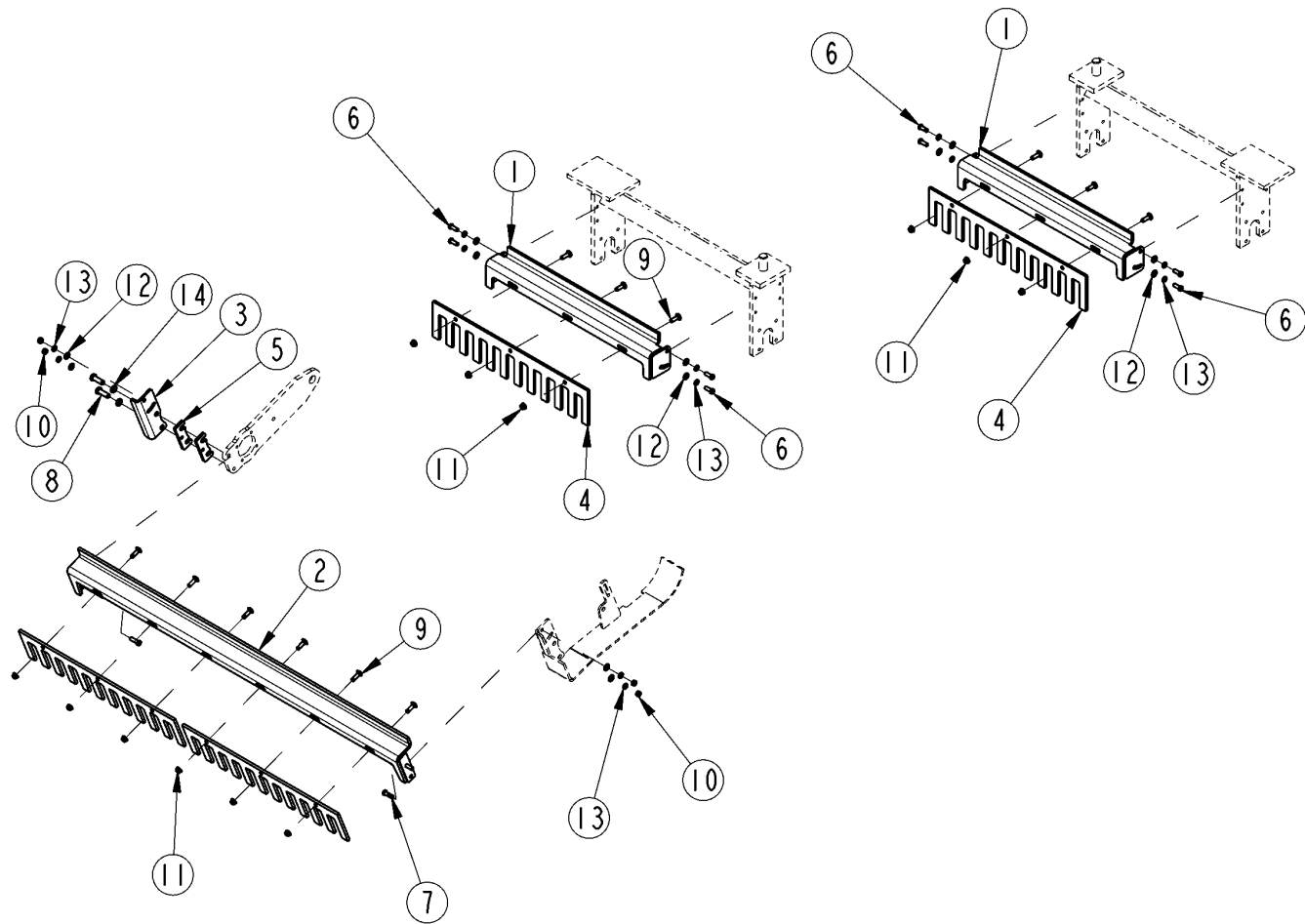
25775

Scrapers, Spike Roller (S/N 659514-)**Applies to APS1548, APS1560, APS1572, APS1586**

Ref	Part No.	Part Description	Comments	Revision
	dwg25775	Drawing Image Number		
	313-431A	SPIKE SCRAPER BUNDLE APS48	S/N 567003+	
	313-429A	SPIKE SCRAPER BUNDLE APS72	S/N 547969+	
	313-458A	SPIKE SCRAPER BUNDLE APS60		
	313-449A	SPIKE SCRAPER BUNDLE APS86		
		*		
1.	313-426H	SCRAPER HANGER WLD FRT APS48		
1.	313-421H	SCRAPER HANGER WELDMENT APS72		
1.	313-434H	SCRAPER HANGER WLD FRT APS60		
1.	313-450H	SPIKE SCRAPER MNT FRT APS86		
2.	313-427H	SCRAPER HANGER WLD REAR APS48		
2.	313-422H	SCRAPER HANGER WLD REAR APS72		
2.	313-433H	SCRAPER HANGER WLD REAR APS60		
2.	313-451H	SPIKE SCRAPER MNT REAR APS86		
3.	313-719D	SCRAPER MOUNT LH		
4.	313-742D	SPIKE SCRAPER APS48		
4.	313-739D	SPIKE SCRAPER APS72		
4.	313-747D	SPIKE SCRAPER APS60		
4.	313-763D	SPIKE SCRAPER APS86		
5.	802-017C	HHCS 3/8-16X1 GR5		
6.	802-079C	HHCS 3/8-16X1 1/4 GR5		
7.	802-091C	HHCS 1/2-13X1 1/2 GR5		
8.	802-155C	RHSNB 3/8-16X1 1/4 GR5		
9.	803-014C	NUT HEX 3/8-16 PLT		
10.	803-169C	NUT HEX FLG. LOCK 1/2-13 PLT.		
11.	803-209C	NUT FLANGE LOCK 3/8-16 PLT		
12.	804-012C	WASHER FLAT 3/8 SAE PLT		
13.	804-013C	WASHER LOCK SPRING 3/8 PLT		

Scrapers, Spike Roller (S/N 659515+)

Applies to APS1548, APS1560, APS1572, APS1586



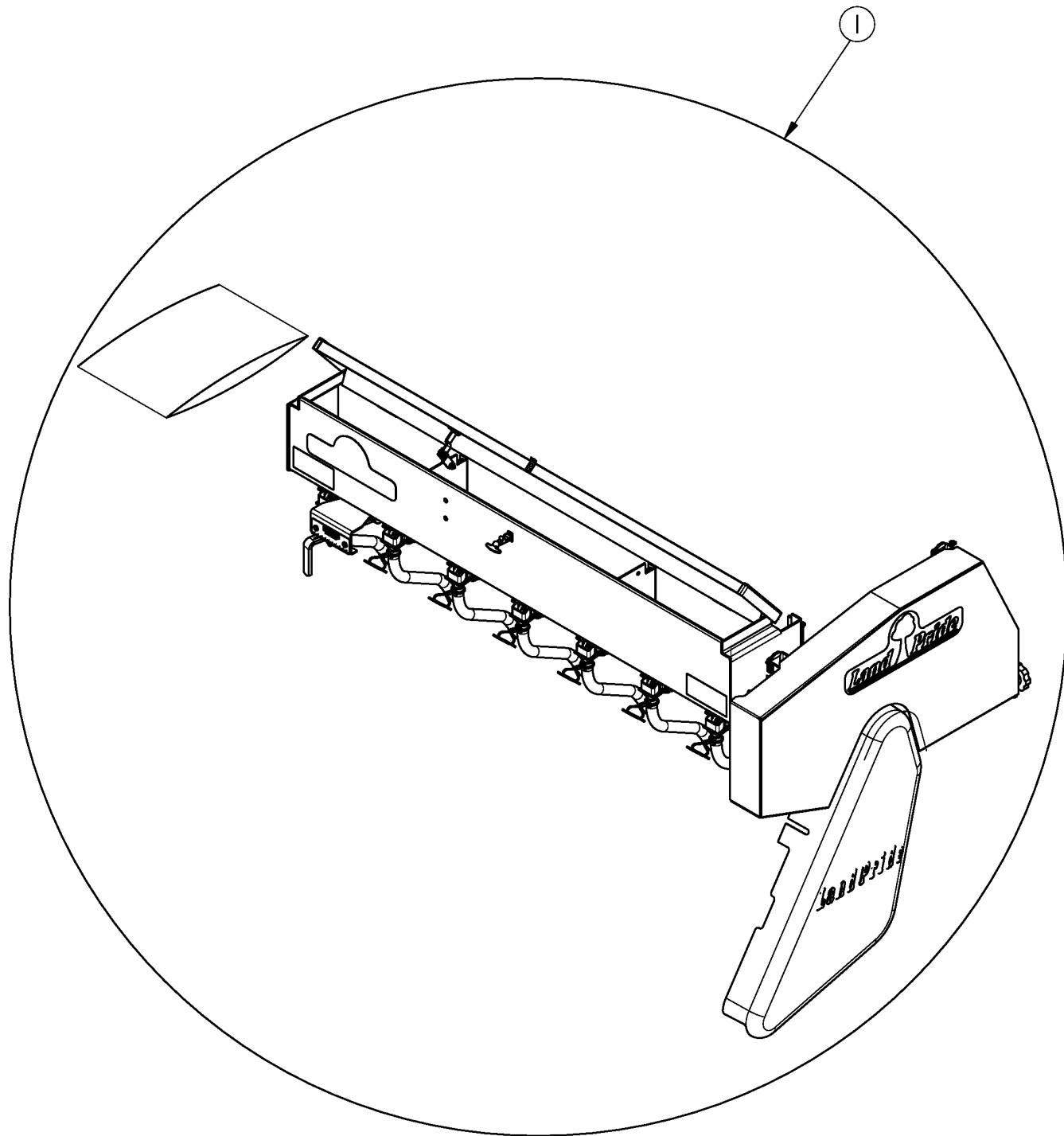
30842

Scrapers, Spike Roller (S/N 659515+)**Applies to APS1548, APS1560, APS1572, APS1586**

Ref	Part No.	Part Description	Comments	Revision
	dwg30842	Drawing Image Number		
	313-431A	SPIKE SCRAPER BUNDLE APS48		
	313-429A	SPIKE SCRAPER BUNDLE APS72		
	313-458A	SPIKE SCRAPER BUNDLE APS60		
	313-449A	SPIKE SCRAPER BUNDLE APS86		
		*		
1.	313-426H	SCRAPER HANGER WLD FRT APS48		
1.	313-421H	SCRAPER HANGER WLD FRT APS72		
1.	313-434H	SCRAPER HANGER WLD FRT APS60		
1.	313-450H	SCRAPER HANGER WLD FRT APS86		
2.	313-427H	SCRAPER HANGER WLD REAR APS48		
2.	313-422H	SCRAPER HANGER WLD REAR APS72		
2.	313-433H	SCRAPER HANGER WLD REAR APS60		
2.	313-451H	SCRAPER HANGER WLD REAR APS86		
3.	313-719D	SCRAPER MOUNT LH		
4.	313-742D	SPIKE SCRAPER APS48		
4.	313-739D	SPIKE SCRAPER APS72		
4.	313-747D	SPIKE SCRAPER APS60		
4.	313-763D	SPIKE SCRAPER APS86		
5.	313-809D	SPACER PLATE		
6.	802-017C	HHCS 3/8-16X1 GR5		
7.	802-079C	HHCS 3/8-16X1 1/4 GR5		
8.	802-091C	HHCS 1/2-13X1 1/2 GR5		
9.	802-155C	RHSNB 3/8-16X1 1/4 GR5		
10.	803-014C	NUT HEX 3/8-16 PLT		
11.	803-209C	NUT FLANGE LOCK 3/8-16 PLT		
12.	804-012C	WASHER FLAT 3/8 SAE PLT		
13.	804-013C	WASHER LOCK SPRING 3/8 PLT		
14.	804-015C	WASHER LOCK SPRING 1/2 PLT		

APS15 Small Seeds Box Bundle

Applies to APS1548, APS1560, APS1572, APS1586



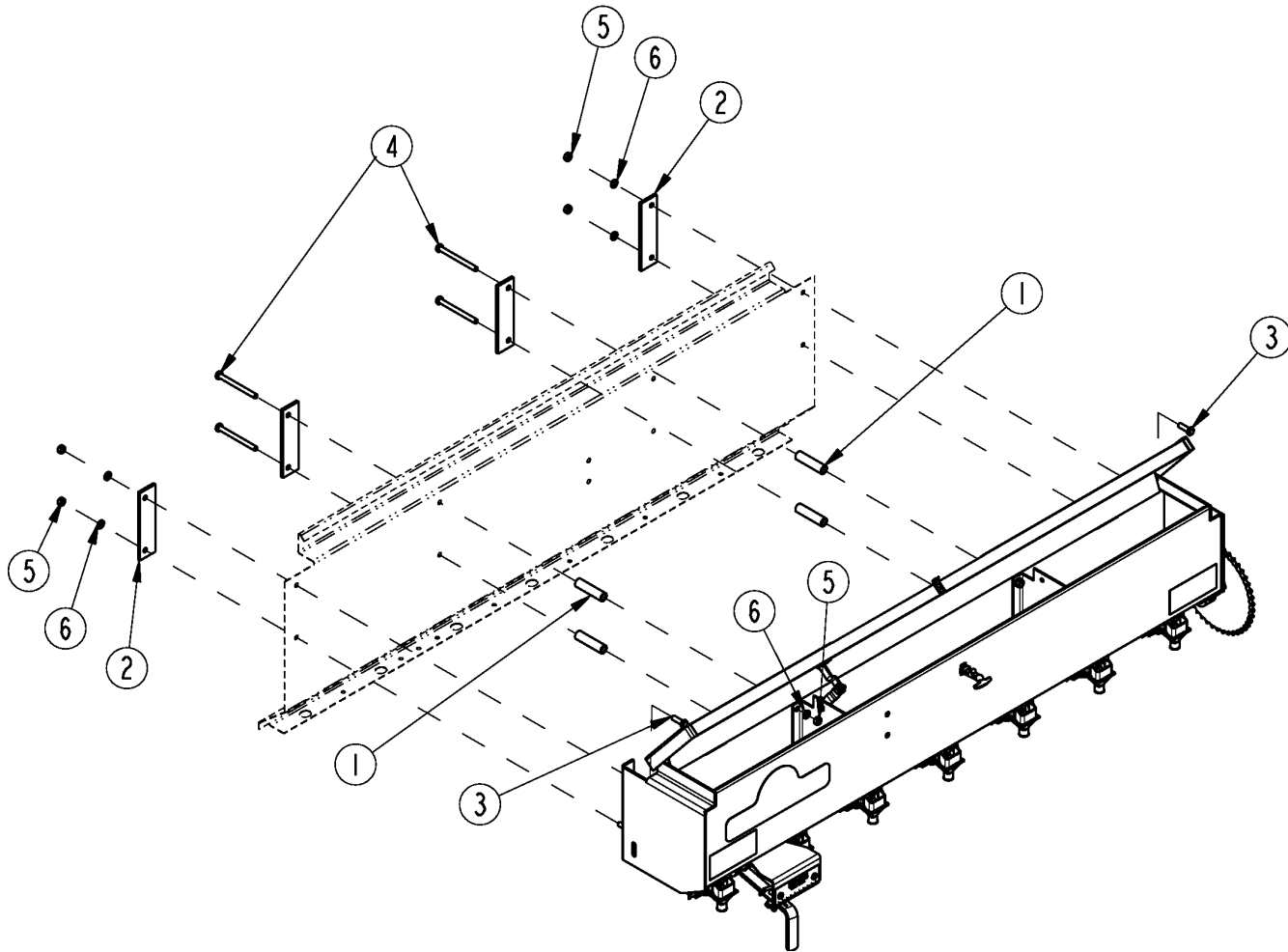
37558

APS15 Small Seeds Box Bundle**Applies to APS1548, APS1560, APS1572, APS1586**

Ref	Part No.	Part Description	Comments	Revision
	dwg 37558	Drawing Image Number		
1.	313-767A	APS1548 SSB ACC. S/N 908755+	48" MODEL	
1.	313-768A	APS1548 SSB ACC. S/N 908754-	48" MODEL	
1.	313-769A	APS1560 SSB ACC. S/N 908755+	60" MODEL	
1.	313-770A	APS1560 SSB ACC. S/N 908754-	60" MODEL	
1.	313-771A	APS1572 SSB ACC. S/N 908755+	72" MODEL	
1.	313-772A	APS1572 SSB ACC. S/N 908754-	72" MODEL	
1.	313-773A	APS1586 SSB ACC. S/N 908755+	86" MODEL	
1.	313-774A	APS1586 SSB ACC. S/N 908754-	86" MODEL	

Small Seed Box to Main Box Mounting

Applies to APS1548, APS1560, APS1572, APS1586



26914

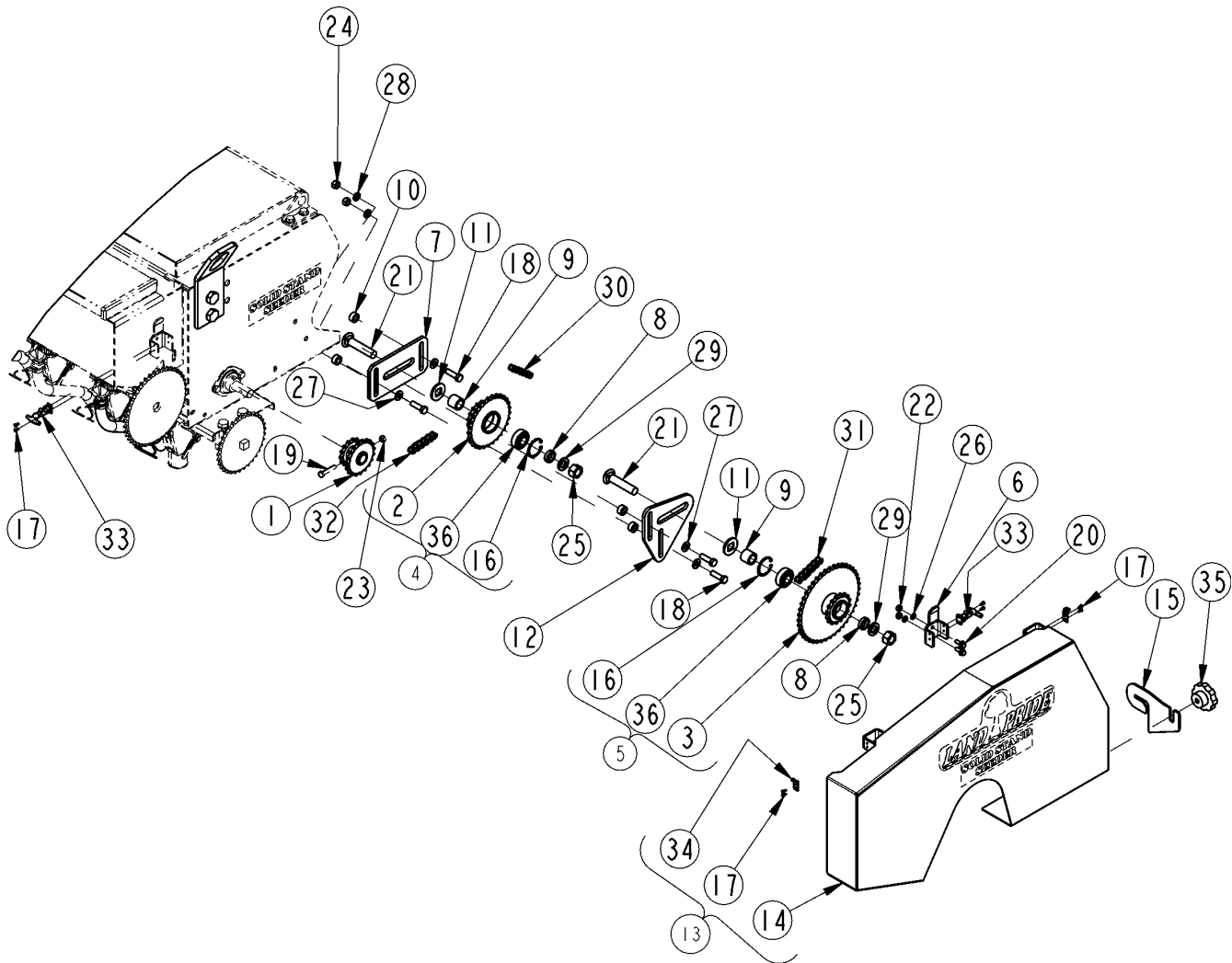
Small Seed Box to Main Box Mounting

Applies to APS1548, APS1560, APS1572, APS1586

Ref	Part No.	Part Description	Comments	Revision
	dwg26914	Drawing Image Number		
1.	123-358D	10' EWNT SGS SPACER		
2.	123-359D	SGS BACKING PLATE		
3.	802-159C	HHCS 5/16-18X1 GR5		
4.	802-190C	HHCS 5/16-18X3 1/2 GR5 FTTHD		
5.	803-008C	NUT HEX 5/16-18 PLT		
6.	804-009C	WASHER LOCK SPRING 5/16 PLT		

Small Seed Drive Components

Applies to APS1548, APS1560, APS1572, APS1586



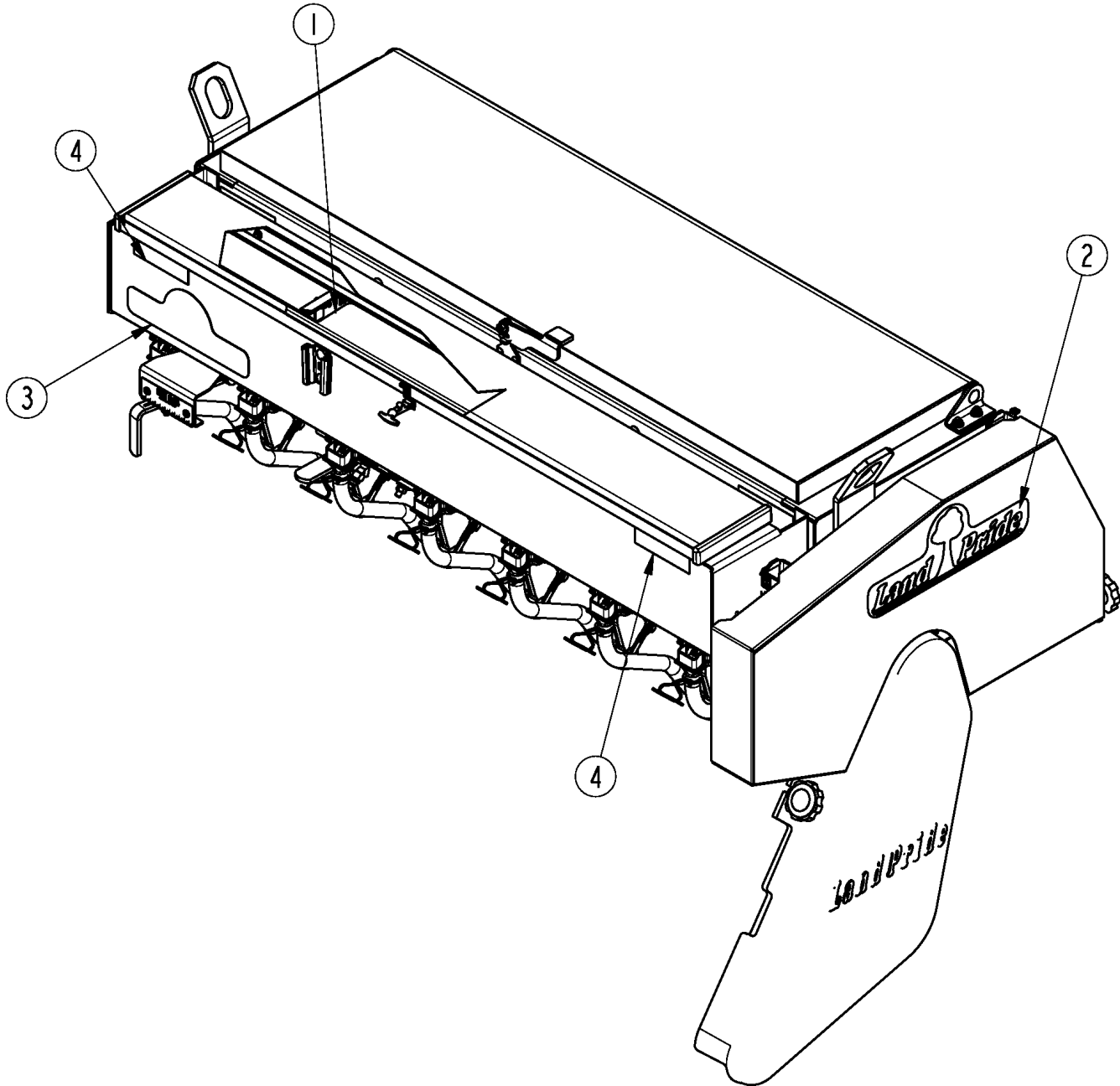
26918

Small Seed Drive Components**Applies to APS1548, APS1560, APS1572, APS1586**

Ref	Part No.	Part Description	Comments	Revision
	dwg26918	Drawing Image Number		
1.	308-227H	SSB DOUBLE AGITATR SPKT 14/19T		
2.	308-228H	SSB DOUBLE SPKT WELDMT 16/29T		
3.	308-229H	SSB DOUBLE SPKT WELDMT 16/43T		
4.	308-231S	SSB DOUBLE SPKT ASSY 16/29T		
5.	308-232S	SSB DOUBLE SPKT ASSY 16/43T		
6.	308-297D	GRD MOUNT STAKE W/HOLES		
7.	308-313D	SSB DRIVE IDLER PLATE		
8.	308-314D	SSB SPACER TUBE 1 OD X 1/4 LG		
9.	308-315D	SSB SPACER TUBE 1 OD X 0.856 L		
10.	308-316D	SSB SPACER TUBE 3/4 OD X 3/8 L		
11.	308-317D	WASHER FLAT 21/32 SQ X 1 1/2		
12.	308-414D	SM SEEDS ADJUSTMENT PLATE		
13.	313-471V	SSB APS CHAIN GUARD SUB-ASY		
14.	N/A	SSB APS CHAIN GUARD WLDMT	Order 313-471V	
15.	313-782D	GUARD SUPPORT		
16.	800-054C	SNAP RING INT 40 MM		
17.	800-101C	RIVET POP 1/8 .125 AD42BSLF		
18.	802-079C	HHCS 3/8-16X1 1/4 GR5		
19.	802-167C	HHCS 1/4-20X1 1/2 GR5		
20.	802-196C	HFSS 1/4-20X5/8 GR5		
21.	802-338C	RHSNB 5/8-11X3 GR5		
22.	803-006C	NUT HEX 1/4-20 PLT		
23.	803-007C	NUT LOCK 1/4-20 PLT		
24.	803-014C	NUT HEX 3/8-16 PLT		
25.	803-021C	NUT HEX 5/8-11 PLT		
26.	804-006C	WASHER LOCK SPRING 1/4 PLT		
27.	804-012C	WASHER FLAT 3/8 SAE PLT		
28.	804-013C	WASHER LOCK SPRING 3/8 PLT		
29.	804-022C	WASHER LOCK SPRING 5/8 PLT		
30.	809-093C	ROLLER CHAIN #40 X 52 PITCHES		
31.	809-124C	CHAIN RL #40 X 70 PITCH W/CON		
32.	809-125C	CHAIN RL #40 X 90 PITCH W/CON		
33.	816-112C	RUBBER LATCH 37-11-065-10		
34.	816-113C	LATCH KEEPER 37-15-061-17		
35.	817-259C	KNOB 3/8-16 FEMALE THD 2 3/8OD		
36.	822-095C	BRG INS .63ID X 1.57OD DBL LIP		

Small Seed Label Placement

Applies to APS1548, APS1560, APS1572, APS1586



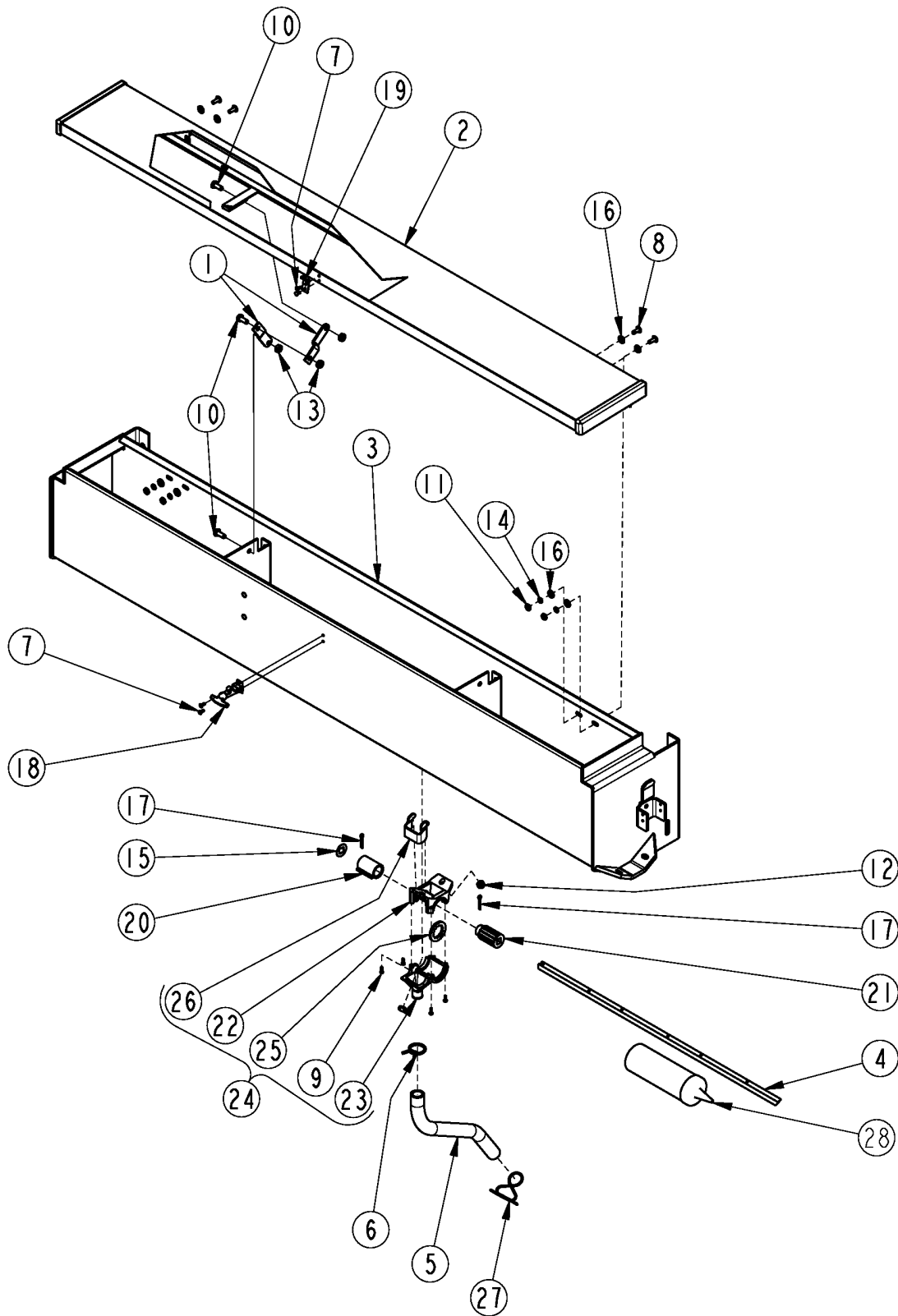
26915

Small Seed Label Placement**Applies to APS1548, APS1560, APS1572, APS1586**

Ref	Part No.	Part Description	Comments	Revision
	dwg26915	Drawing Image Number		
1.	818-286C	DECAL OS1548/72 SSB SEED RATES		
2.	838-962C	DECAL LP 13" W/TREE BROWN/GOLD		
3.	838-963C	DECAL LP 10" W/TREE BROWN/GOLD		
4.	858-095C	DECAL REFLECTOR RED 2X4.5	APS1548 & APS1560 S/N 819231+	
4.	838-614C	DECAL REFLECTOR RED 2X9	APS1572 & APS1586 S/N 819231+	

Small Seed Seed Box & Feeder Cup Components

Applies to APS1548, APS1560, APS1572, APS1586



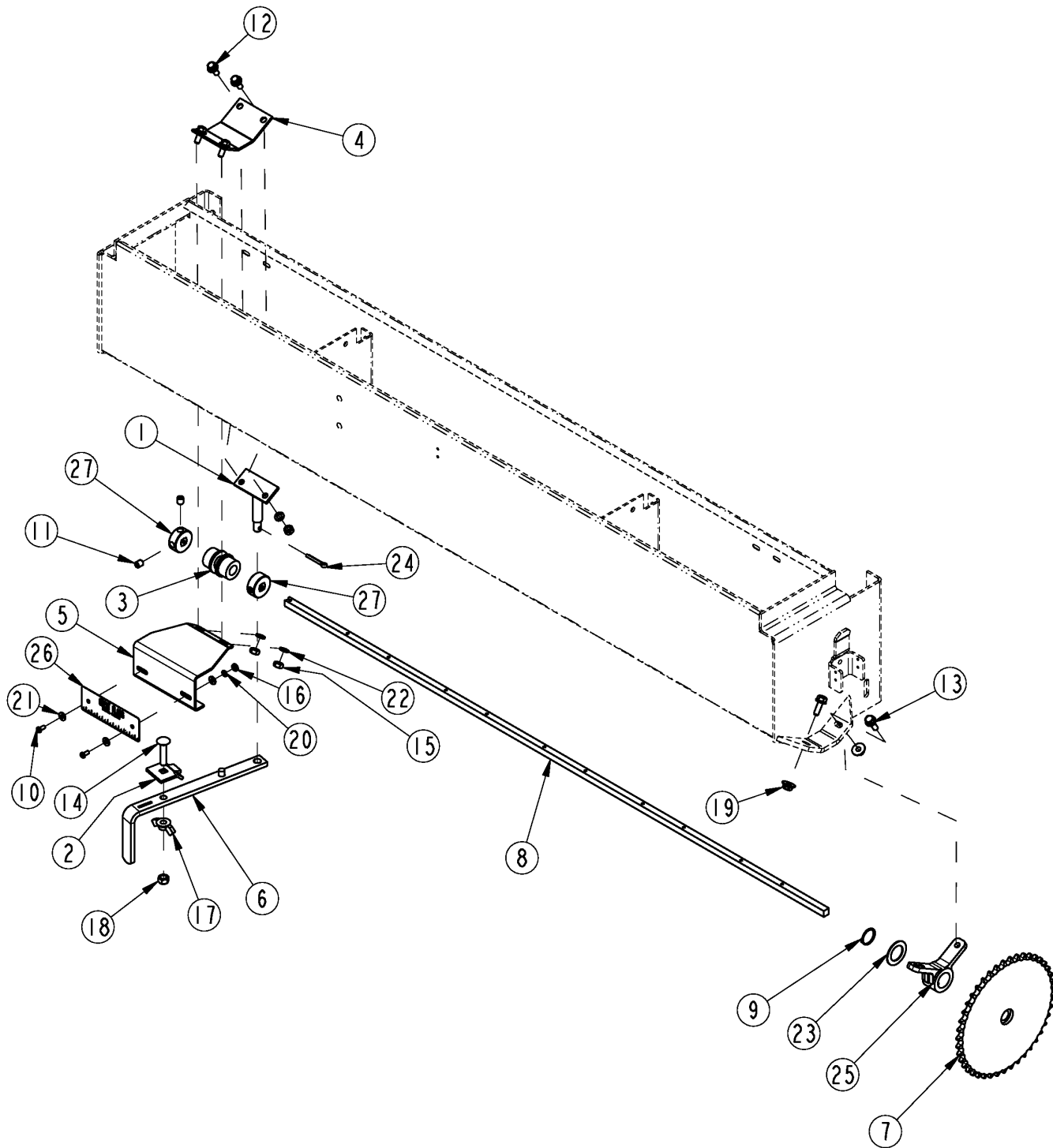
26911

Small Seed Seed Box & Feeder Cup Components**Applies to APS1548, APS1560, APS1572, APS1586**

Ref	Part No.	Part Description	Comments	Revision
	dwg26911	Drawing Image Number		
1.	123-356D	10' EWNT SGS LID LATCH		
2.	308-221H	SSB BOX LID OS1548		
2.	313-480H	60 SSB LID WELDMENT		
2.	308-222H	SSB BOX LID OS1572		
2.	313-475H	86 SSB LID WELDMENT		
3.	308-223H	SSB BOX OS1548		
3.	313-479H	60 SSB BOX WELDMENT		
3.	308-224H	SSB BOX OS1572		
3.	313-476H	86 SSB BOX WELDMENT		
4.	308-311D	SSB CUP SHAFT OS1548		
4.	313-787D	5' SSB CUP SHAFT		
4.	308-312D	SSB CUP SHAFT OS1572		
4.	313-786D	86" SSB CUP SHAFT		
5.	313-779D	SSB SEED HOSE 5/8 ID X 14 LONG		
6.	800-029C	SINGLE WIRE HOSE CLAMP #14		
7.	800-101C	RIVET POP 1/8 .125 AD42BSLF		
8.	801-003C	SCREW RD HD SLT 10-24X1/2 PLT		
9.	801-170C	SCREW PAN HD 4X3/8 TYPE 25		
10.	802-078C	HHCS 1/4-20X5/8 GR5		
11.	803-001C	NUT HEX 10-24 PLT		
12.	803-006C	NUT HEX 1/4-20 PLT		
13.	803-007C	NUT LOCK 1/4-20 PLT		
14.	804-004C	WASHER INTERNAL STAR #10 PLT		
15.	804-042C	WASHER GRASS SEEDER CUP SHAFT		
16.	804-046C	WASHER FLAT #10 SAE PLT		
17.	805-067C	PIN COTTER 1/8 X 3/4		
18.	816-112C	RUBBER LATCH 37-11-065-10		
19.	816-113C	LATCH KEEPER 37-15-061-17		
20.	817-009C	GRASS SEEDER SLEEVE		
21.	817-010C	GRASS SEEDER SPROCKET		
22.	817-501C	SML SEED FEEDER CUP TOP HALF		
23.	817-502C	SML SEED FEEDER CUP BOTOM HALF		
24.	817-504C	SML SEED FEEDER CUP ASSY		
25.	817-511C	SEEDER CUP SPROCKET WASHER		
26.	817-806C	SMALL SEEDS CUP WIND SHIELD		
27.	890-995C	CLIP HOSE HOLDER		
28.	821-042C	POWDERED GRAPHITE 1 LB BOTTLE		

Small Seed Seed Rate Handle

Applies to APS1548, APS1560, APS1572, APS1586



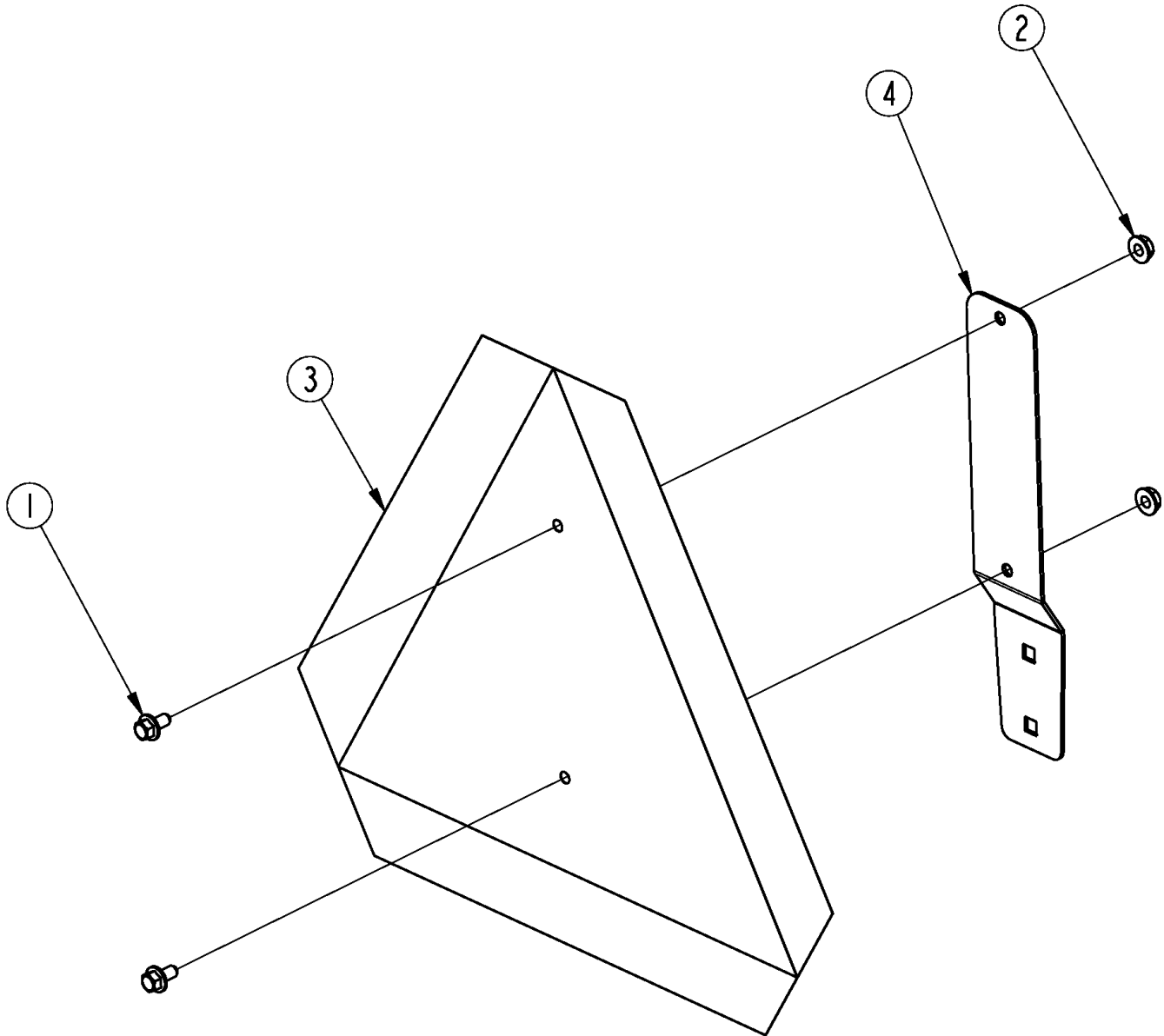
26910

Small Seed Seed Rate Handle**Applies to APS1548, APS1560, APS1572, APS1586**

Ref	Part No.	Part Description	Comments	Revision
	dwg26910	Drawing Image Number		
1.	123-050H	ADJUSTMENT HANDLE PIVOT		
2.	123-113D	LOCK TAB		
3.	123-116D	SEED ADJUSTMENT SPOOL		
4.	123-118D	SEED ADJUSTMENT SUPPORT		
5.	123-410D	GAUGE MOUNTING BRACKET		
6.	123-476H	REAR SEED RATE ADJ HANDLE WLD		
7.	308-230H	SSB BOX DRIVE SPROCKET 43T		
8.	308-311D	SSB CUP SHAFT OS1548		
9.	800-028C	SNAP RING .875		
10.	801-001C	SCREW RD HD 8-32 X 3/8 BRASS		
11.	801-035C	SCREW SET 5/16-18 SKT KP X 3/8		
12.	802-196C	HFSS 1/4-20X5/8 GR5		
13.	802-257C	HFSS 1/4-20X3/4 GR5		
14.	802-270C	RHSNB 5/16-18X1 1/2 GR5	S/N _____ +	
14.	802-092C	RHSNB 5/16-18X3/4 GR5	S/N _____ -	
15.	803-006C	NUT HEX 1/4-20 PLT		
16.	803-035C	NUT HEX 8-32 BRASS		
17.	803-058C	NUT WING 5/16-18		
18.	803-084C	NUT HEX NYLOCK 5/16-18 PLT	S/N _____ +	
19.	803-088C	NUT HEX LOCK 1/4-20 FLG		
20.	804-002C	WASHER INTERNAL STAR #8 BRASS		
21.	804-003C	WASHER FLAT #8 BRASS		
22.	804-006C	WASHER LOCK SPRING 1/4 PLT		
23.	804-044C	WASHER MACH 1.38 X .876 X .048		
24.	805-019C	PIN COTTER 5/32 X 1 PLT		
25.	817-026C	HANGER DRIVE SHAFT		
26.	819-041C	SEED ADJUSTMENT GUIDE		
27.	890-349C	3/8 SHAFT LOCKING COLLAR		

SMV Sign

Applies to APS1548, APS1560, APS1572, APS1586



37482

SMV Sign

Applies to APS1548, APS1560, APS1572, APS1586

Ref	Part No.	Part Description	Comments	Revision
	Dwg 37482 316-362S	Image No. SMV SIGN *		
1.	802-148C	HFSS 1/4-20X1/2 GR5		
2.	803-230C	NUT HEX FLANGE 1/4-20 PLT		
3.	818-055C	DECAL SLOW MOVING-GALV. BACKED		
4.	890-153C	SMV MOUNTING BLADE		



Part Number Index

The Part Number Index is a numeric index of all part numbers included in this manual. The index shows what page(s) the part is used on.

Part Number	Page	Part Number	Page	Part Number	Page	Part Number	Page
109-069D	29	308-316D	55	313-423H	41	313-747D	43, 45, 47, 49
123-050H	61	308-317D	55	313-425H	19	313-759D	27
123-113D	61	308-334H	29	313-426H	43, 45, 47, 49	313-760D	27
123-116D	61	308-360D	41	313-427H	47, 49	313-760D82	27
123-118D	61	308-366H	23	313-428H	41	313-763D	43, 45, 47, 49
123-356D	59	308-366H82	23	313-429A	47, 49	313-767A	51
123-358D	53	308-368H	23	313-430A	43, 45	313-767D82	9
123-359D	53	308-368H82	23	313-431A	47, 49	313-768A	51
123-410D	61	308-393D	23	313-432A	43, 45	313-769A	51
123-476H	61	308-394D	23	313-433H	47, 49	313-770A	51
176-006D	27	308-399D	41	313-434H	43, 45, 47, 49	313-771A	51
176-031V	27	308-400D	11, 13	313-438S	41	313-772A	51
179-021D	23	308-411D	27	313-439H	43, 45	313-773A	51
179-022D	23	308-412D	27	313-440H	7	313-774A	51
179-023D	23	308-412D82	27	313-440H82	7	313-779D	59
179-025D	23	308-414D	55	313-441H	19	313-782D	55
179-030D	23	313-006H	41	313-443F	41	313-786D	59
202-002H	23	313-054D	29	313-445S	41	313-787D	59
307-009D	33, 35	313-055D	29	313-446H	41	313-791D	21
307-100D	15	313-055D82	29	313-448H	19	313-793D	13
307-103D	15	313-056D	29	313-449A	47, 49	313-793D82	13
307-149V	15	313-056D82	29	313-450H	43, 45, 47, 49	313-795D	13
307-150H	15	313-163D	23	313-451H	47, 49	313-795D82	13
307-151H	15	313-186D	23	313-452H	43, 45	313-796D	9
308-002H	23	313-229H	11	313-453A	43, 45	313-796D82	9
308-002H82	23	313-229H82	11	313-458A	47, 49	313-797D	9
308-003H	23	313-248H	19	313-459A	43, 45	313-804D	17
308-004S	27	313-274F	41	313-462H	23	313-805D	17
308-010D	27	313-276H	19	313-471V	55	313-809D	35, 45, 49
308-015D	29	313-276H82	19	313-475H	59	313-961H	23
308-022D	27	313-352H	33	313-476H	59	313-962H	23
308-024H	33, 35	313-353H	33, 35	313-479H	59	313-963H	23
308-036S	27	313-358H	11	313-480H	59	313-970L	31
308-041K	33, 35	313-358H82	11	313-482H	23	313-973H	23
308-081H	23	313-360H	19	313-484H	23	316-362S	63
308-081H82	23	313-365F	41	313-491H	13	322-009D	7, 9
308-085H	23	313-367H	11	313-491H82	13	800-001C	17
308-107H	33, 35	313-367H82	11	313-493H	13	800-004C	27
308-110S	11, 13	313-369H	19	313-493H82	13	800-005C	27
308-117D	23	313-370H	19	313-495H	13	800-028C	61
308-117D82	23	313-373H	41	313-495H82	13	800-029C	59
308-128S	33, 35	313-374F	41	313-497H	9	800-048C	23
308-165D	27	313-377H	23	313-497H82	9	800-053C	15
308-175D	23	313-377H82	23	313-499H	17	800-054C	55
308-175D82	23	313-378H	23	313-501H	17	800-060C	31
308-183D	11, 13	313-378H82	23	313-502H	35	800-070C	33, 35
308-193D	23	313-379H	23	313-503A	21	800-101C	55, 59
308-221H	59	313-379H82	23	313-504A	21	801-001C	29, 61
308-222H	59	313-381S	23	313-505A	21	801-003C	59
308-223H	59	313-382S	23	313-506A	21	801-018C	23
308-224H	59	313-389H	23	313-528S	35	801-021C	23
308-226D	27	313-389H82	23	313-650D	19	801-024C	23
308-226D82	27	313-391S	41	313-651D	19	801-035C	27, 61
308-227D	27	313-393S	41	313-652D	33, 35	801-045C	23
308-227D82	27	313-397H	19	313-658D	19	801-057C	27
308-227H	55	313-398K	19	313-659D	19	801-170C	59
308-228H	55	313-399H	43, 45	313-659D82	19	802-004C	27
308-229H	55	313-400H	23	313-669D	33, 35	802-005C	7, 11, 31
308-230H	61	313-400H82	23	313-679D	33, 35	802-007C	23
308-231S	55	313-402H	19	313-682D	33, 35	802-010C	33, 35
308-232S	55	313-403H	23	313-704D	23	802-014C	29
308-234D	27	313-403H82	23	313-705D	23	802-017C	24, 33, 35, 43, 45, 47, 49
308-253D	27	313-404H	41	313-719D	43, 45, 47, 49	802-032C	27
308-297D	55	313-409H	41	313-720D	23	802-034C	9, 17
308-306D	29	313-410H	19	313-721D	23	802-038C	17
308-311D	59, 61	313-411H	23	313-726D	19	802-050C	15, 17, 24
308-312D	59	313-413H	43, 45	313-732D	19	802-068C	7, 9, 11, 13
308-313D	55	313-420H	19	313-732D82	19	802-078C	21, 59
308-314D	55	313-421H	43, 45, 47, 49	313-739D	43, 45, 47, 49		
308-315D	55	313-422H	47, 49	313-742D	43, 45, 47, 49		

Table of Contents Part Number Index



Part Number Index (continued)

Part Number	Page	Part Number	Page	Part Number	Page	Part Number	Page
802-079C	17, 43, 45, 47, 49, 55	804-021C	33, 35	818-543C	37	890-995C	59
802-091C	9, 13, 35, 43, 45, 47, 49	804-022C	15, 17, 35, 55	818-858C	37	891-529C	31
802-092C	24, 61	804-023C	7, 9, 11, 13	818-869C	37	891-531C	31
802-143C	41	804-025C	19	818-890C	37	891-786C	31
802-148C	63	804-027C	19	818-893C	37	891-794C	31
802-155C	43, 45, 47, 49	804-029C	15, 17	819-041C	61	891-795C	31
802-159C	53	804-031C	27	819-086C	29	Dwg 24918	23
802-167C	24, 55	804-036C	24	821-011C	39	Dwg 24920	37
802-190C	53	804-042C	59	821-011CGL	39	Dwg 30285	17
802-196C	29, 55, 61	804-044C	61	821-011CQT	39	Dwg 30286	15
802-224C	9, 13	804-046C	59	821-011CTU	39	Dwg 37482	63
802-257C	61	804-056C	24	821-042C	27, 59	Dwg 37558	51
802-258C	24	804-192C	15, 17, 41	821-054C	39	Dwg 70084	31
802-270C	61	805-015C	11, 13	821-054CGL	39	dwg12936	29
802-318C	19	805-016C	29	821-054CQT	39	dwg24916	11
802-338C	55	805-019C	61	821-054CTU	39	dwg24917	19
802-382C	15, 33	805-041C	11, 13	821-058C	39	dwg24919	33
802-411C	24, 33, 35	805-064C	33, 35	821-058CGL	39	dwg24922	27
802-673C	19	805-065C	33, 35	821-058CQT	39	dwg25594	43
803-001C	24, 59	805-067C	59	821-058CTU	39	dwg25595	41
803-006C	29, 55, 59, 61	805-083C	19	821-066C	39	dwg25775	47
803-007C	24, 55, 59	805-103C	7, 9	821-066CGL	39	dwg25780	7
803-008C	24, 29, 35, 53	805-109C	19	821-066CQT	39	dwg26910	61
803-013C	15, 33	805-142C	19	821-066CTU	39	dwg26911	59
803-014C	24, 41, 43, 45, 47, 49, 55	805-143C	19	821-067C	39	dwg26914	53
803-016C	29	805-271C	19	821-067CGL	39	dwg26915	57
803-020C	24	805-318C	19	821-067CQT	39	dwg26918	55
803-021C	33, 35, 55	805-363C	33	821-067CTU	39	dwg30159	13
803-025C	15	805-407C	7, 9	821-070C	39	dwg30160	9
803-027C	7, 9, 11, 13	807-005C	15, 17	821-070CGL	39	dwg30281	21
803-031C	19	807-025C	33, 35	821-070CQT	39	dwg30840	35
803-035C	29, 61	808-247C	27	821-070CTU	39	dwg30841	45
803-058C	61	809-070C	33, 35	821-080C	39	dwg30842	49
803-084C	24, 61	809-078C	33, 35	821-080CGL	39	N/A	55
803-088C	24, 29, 61	809-091C	33, 35	821-080CQT	39		
803-147C	29	809-093C	55	821-080CTU	39		
803-169C	9, 13, 33, 35, 43, 47	809-124C	55	822-040C	24		
803-177C	24	809-125C	55	822-041C	24		
803-194C	27	809-299C	33, 35	822-059C	27		
803-209C	19, 24, 33, 35, 43, 45, 47, 49	812-056C	41	822-067C	33, 35		
803-230C	63	816-112C	55, 59	822-085C	19		
803-255C	7, 9, 11, 13, 21, 31	816-113C	55, 59	822-095C	55		
803-258C	19	816-481C	7, 11	822-172C	15		
803-263C	24	816-504C	9, 13	822-249C	17		
803-268C	31	816-549C	33, 35	822-251C	19		
803-299C	15, 17	816-840C	35	822-326C	17		
804-002C	29, 61	817-004C	27	837-060C	24		
804-003C	29, 61	817-009C	59	838-111C	37		
804-004C	24, 59	817-010C	59	838-517C	37		
804-006C	29, 55, 61	817-025C	33, 35	838-614C	37, 57		
804-007C	7, 9, 11, 13, 24, 31	817-026C	61	838-615C	37		
804-009C	24, 29, 35, 53	817-033C	24	838-962C	57		
804-010C	24, 29	817-071C	27	838-963C	37, 57		
804-012C	29, 43, 45, 47, 49, 55	817-073C	27	838-964C	37		
804-013C	17, 24, 29, 33, 35, 41, 43, 45, 47, 49, 55	817-076C	19	842-265C	31		
804-014C	19	817-094C	27	848-070C	37		
804-015C	17, 24, 27, 35, 45, 49	817-095C	27	848-071C	37		
804-016C	9, 13, 33, 35	817-096C	27	848-072C	37		
804-017C	17	817-097C	27	848-205C	37		
804-019C	29	817-259C	55	848-206C	37		
		817-323C	24	848-256C	37		
		817-358C	33, 35	848-257C	37		
		817-501C	59	848-258C	37		
		817-502C	59	848-540C	37		
		817-504C	59	858-095C	37, 57		
		817-511C	59	890-153C	63		
		817-806C	59	890-349C	61		
		818-055C	24, 63	890-350C	27		
		818-190C	37	890-401C	24		
		818-254C	37	890-595C	27		
		818-286C	57	890-935C	19, 41		



Great Plains Manufacturing, Inc.

Corporate Office: P.O. Box 5060
Salina, Kansas 67402-5060 USA

www.landpride.com
