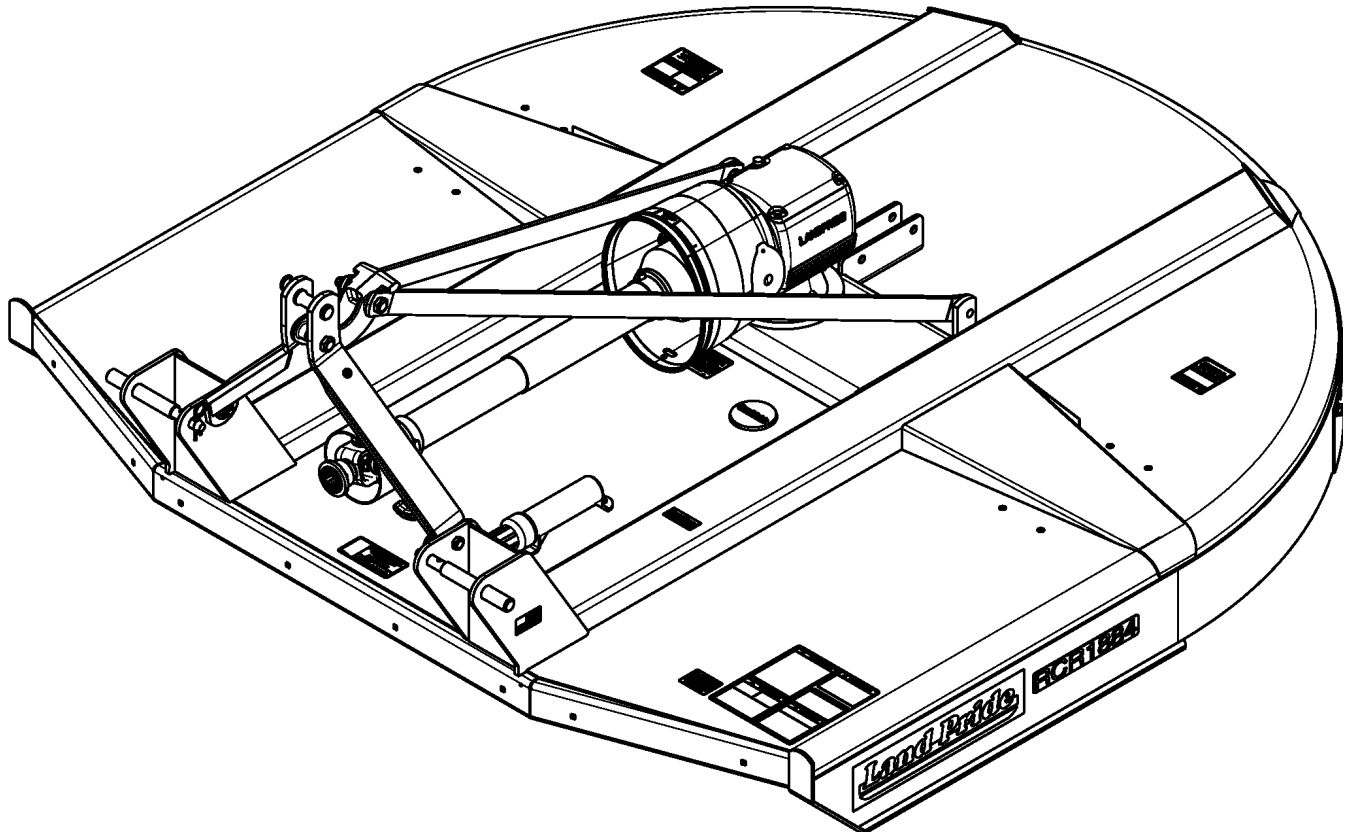


Rotary Cutter

RCR1884



24584

312-880P
Parts Manual



Read the Operator's Manual entirely. When you see this symbol, the subsequent instructions and warnings are serious - follow without exception. Your life and the lives of others depend on it!

© Copyright 2019 Printed 08/29/19

Cover photo may show optional equipment not supplied with standard unit.





Table of Contents

| | |
|--|-----------|
| Section 1: Introduction..... | 4 |
| Using This Manual..... | 4 |
| Manual Replacement Information..... | 4 |
| Manual Revisions..... | 4 |
| Touch-up Paint..... | 4 |
| Hardware Legend..... | 5 |
| Replacement Hardware..... | 5 |
| Serial Numbers..... | 5 |
| Part Number Service Coding..... | 5 |
| Section 2: Deck..... | 6 |
| Deck and Rear Deflector..... | 6 |
| Driveline Hanger (327-143S)..... | 8 |
| Gauge Wheel Dual..... | 10 |
| Gauge Wheel Single..... | 12 |
| Hitch Components S/N 945302-..... | 14 |
| Hitch Components S/N 945303+..... | 16 |
| Manual Tube..... | 18 |
| Section 3: Blade Drive..... | 20 |
| Blade Drive..... | 20 |
| Driveline w/ 2 Plate Slip Clutch (826-510C)..... | 22 |
| Driveline w/ 4 Plate Slip Clutch (826-510C)..... | 24 |
| Gearbox (826-376C)..... | 26 |
| Section 4: Guards..... | 28 |
| Guard Chain Rear..... | 28 |
| Guard Chain Single Front..... | 30 |
| Guard Rubber Front..... | 32 |
| Section 5: Options & Accessories..... | 34 |
| Skid Shoe Kit..... | 34 |
| Section 6: Decals..... | 36 |
| Decal Placement..... | 36 |
| Land Pride Touch-up Paints..... | 38 |
| | |
| Part Number Index..... | 40 |

© Copyright 2019. All rights reserved.

Land Pride provides this publication “as is” without warranty of any kind, either expressed or implied. While every precaution has been taken in the preparation of this manual, Land Pride assumes no responsibility for errors or omissions. Neither is any liability assumed for damages resulting from the use of the information contained herein. Land Pride reserves the right to revise and improve its products as it sees fit. This publication describes the state of this product at the time of its publication, and may not reflect the product in the future. The illustrations in this manual are not intended for safe and proper assembly or disassembly of equipment. The illustrations are intended for ordering parts only.

Land Pride is registered trademark.

All other brands and product names are trademarks or registered trademarks of their respective holders.

Printed in the United States of America.



Alphabetized Table of Contents

| | |
|--|----|
| B | |
| Blade Drive..... | 20 |
| D | |
| Decal Placement..... | 36 |
| Deck and Rear Deflector..... | 6 |
| Driveline Hanger (327-143S)..... | 8 |
| Driveline w/ 2 Plate Slip Clutch (826-510C)..... | 22 |
| Driveline w/ 4 Plate Slip Clutch (826-510C)..... | 24 |
| G | |
| Gauge Wheel Dual..... | 10 |
| Gauge Wheel Single..... | 12 |
| Gearbox (826-376C)..... | 26 |
| Guard Chain Rear..... | 28 |
| Guard Chain Single Front..... | 30 |
| Guard Rubber Front..... | 32 |
| H | |
| Hitch Components S/N 945302-..... | 14 |
| Hitch Components S/N 945303+..... | 16 |
| L | |
| Land Pride Touch-up Paints..... | 38 |
| M | |
| Manual Tube..... | 18 |
| S | |
| Skid Shoe Kit..... | 34 |

General Information

Using This Manual

This manual is divided into sections. The first section contains General Information. The remaining sections divide the machine into segments (i.e. Frames, Drives, Hydraulics, etc.) which illustrate and list all parts. A Parts Number Index is located at the back of the book.

The Land Pride parts in this manual are specially designed for this machine and should be replaced with Land Pride parts only.

The information in this manual is current at time of printing. Some parts may change to assure top performance.

Right-hand and left-hand as used in this manual are determined by facing the direction the machine will travel while in use.

Below is an example of two facing pages from a parts manual. Familiarize yourself with the type of information contained on these pages.

Manual Replacement Information

Replacement manuals are available. Refer to our website at www.landpride.com or e-mail us at lit@landpride.com for additional information. Our website continues to provide the most up-to-date manuals available.

Touch-up Paint

Repaint parts where paint is worn or scratched to prevent rust. Aerosol cans and touch-up bottles with brush applicator are available through your local dealer. Also available are quart and gallon size paints. Add QT or GL to end of the Aerosol P/N.

Land Pride color descriptions and part numbers are listed on the "Land Pride Touch-up Paints" page in the "Decals" section of this book. Color options vary by product.



General Information

Hardware Legend

| | |
|-----------------|--|
| AR | As Required |
| BLADE | Blade Bolt |
| C | Cap Screw |
| CP | Cotter Pin |
| CPHSSS | Cup Point Hex Socket Set Screw |
| CPSHSS | Cup Point Square Head Set Screw |
| CPSQHSS | Cup Point Square Head Set Screw |
| CRFCHMS3 | Cross Recess Flat Countersunk Head Machine Screw |
| CRPHMS | Cross Recess Pan Head Machine Screw |
| CRPHTF | Cross Recess Pan Head Thread Forming |
| CRRHMS | Cross Recess Round Head Machine Screw |
| CRTHMS | Cross Recess Truss Head Machine Screw |
| CSNB | Countersunk Square Neck Bolt |
| FHMS | Flat Head Machine Screw |
| FTC | Full Thread Cap Screw |
| H | Hex Nut |
| HCLN | Hex Center Lock Nut |
| HFLCS | Hex Flange Lock Cap Screw |
| HFS | Hex Flange Screw |
| HFSLN | Hex Flange Serrated Lock Nut |
| HFSS | Hex Flange Serrated Screw |
| HHCS | Hex Head Cap Screw or Metric Bolt |
| HSBHCS | Hex Socket Button Head Cap Screw |
| HSFCHCS | Hex Socket Flat Countersunk Head Cap Screw |
| HSHCS | Hex Socket Head Cap Screw |
| HSSS | Hex Socket Head Screw |
| HTLN | Hex Top Lock Nut |
| HWHCS | Hex Washer Head Cap Screw |

| | |
|-----------------------|---|
| HWHMS | Hex Washer Head Machine Screw |
| HXBHCS | Hex Socket Button Head Cap Screw |
| J | Hex Jam Nut |
| JIC | 37 Degree Tapered Thread |
| L | Helical Spring Lock Washer |
| LUG | Lug Bolt |
| NFC | National Fine Cap Screw |
| NPSM | National Pipe Straight Mechanical |
| NPTF | National Pipe Taper Fuel |
| P | Wide Plain Washer |
| PHMS | Pan Head Machine Screw |
| PLOW | Plow Bolt |
| RHMS | Round Head Machine Screw |
| RHSNB | Round Head Square Neck Bolt |
| SCREW LEVELING | Leveling Screw |
| SCREW THUMB | Thumb Screw |
| SCREW WELD | Weld Screw |
| SFCHMS | Slotted Flat Countersunk Head Machine Screw |
| SFHMS | Slotted Fillister Head Machine Screw |
| SP | Special |
| SP SCREW | Special Screw |
| SQHSS | Square Head Set Screw |
| SRHMS | Slotted Round Head Machine Screw |
| SSS | Socket Set Screw |
| STCS | Self Tapping Cap Screw |
| STHMS | Slotted Truss Head Machine Screw |
| WHEEL | Wheel Studs and Hub Long Bolts |
| WING | Wing Bolt |

Replacement Hardware

The **Hardware Legend** above lists hardware abbreviations used in the parts list. All bolts and nuts are Grade 5 unless otherwise noted. The use of improper grades of hardware can result in personal injury, damage to equipment, or loss of property.

Colored Replacement Parts

Land Pride offers replacement parts in factory standard colors and also on select models in Green, Orange, Red and Blue. Because of the variety of colors available, special attention must be given to the part number to prevent ordering the wrong replacement part.

A suffix number corresponding to one of the colors below must be added at the end of Land Pride's part number when ordering a replacement part with that color.

81 Green 83 Red
82 Orange 84 Blue

For example, if you are ordering a replacement part with part number 555-555C and the part you need is red, then add the suffix 83 to the end of the number to make the part number read 555-555C83. Parts ordered without a suffix number will be supplied in factory standard colors.

Black Replacement Parts

Some parts are factory standard black and some must be special ordered black. If your part is special ordered black, a second part number with the additional suffix number 85 on the end will be available. In this situation you must order that part with the suffix number for it to be black. Parts that are factory standard black will not have the suffix number.

Part Number Service Coding

Within the parts list some part numbers are coded for revisions and interchangeability. See notations in revision column.

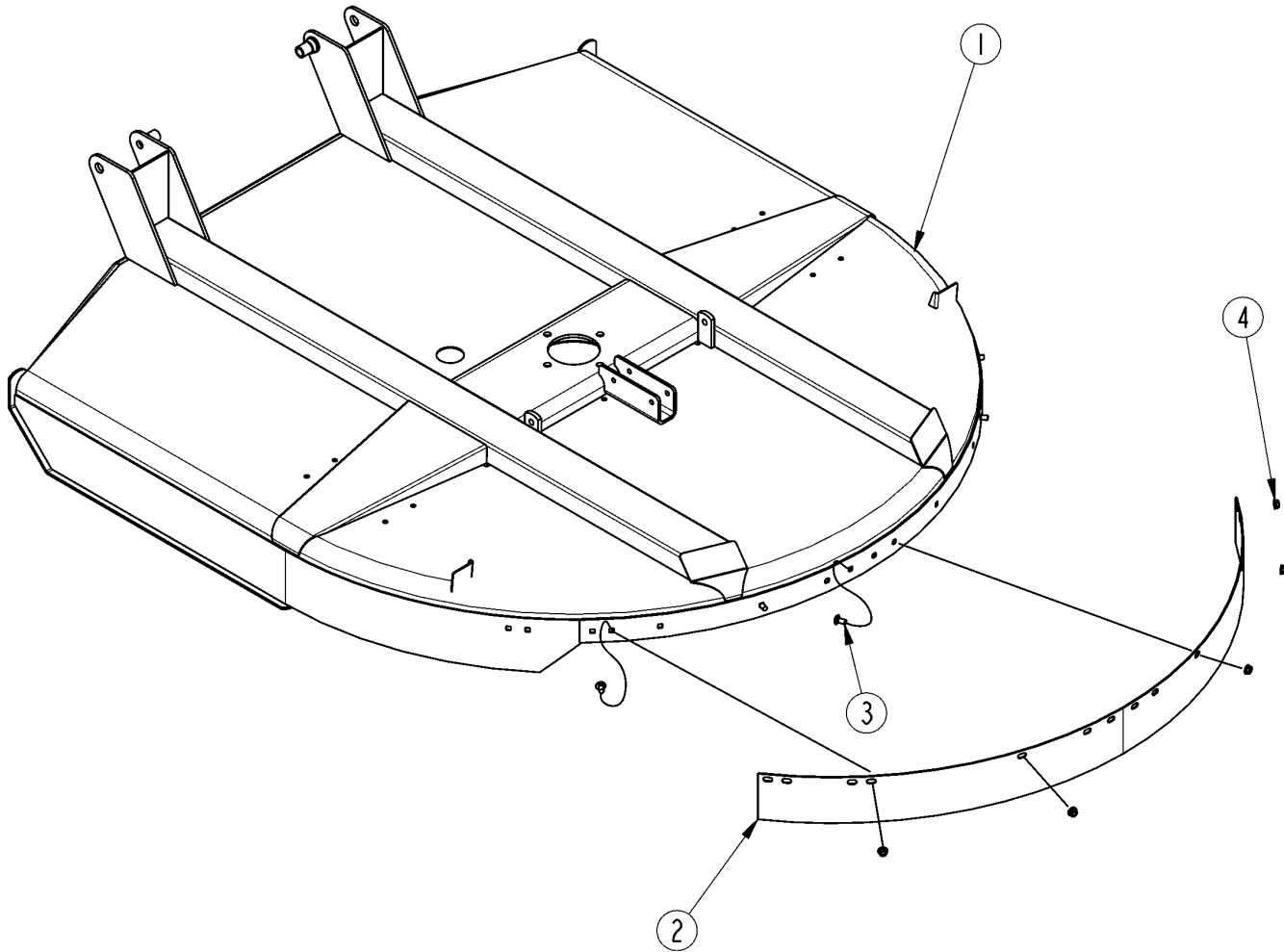
Serial Numbers

Always use the serial and model number when ordering parts. Refer to the Operator's Manual for serial number plate location.

- | | |
|----------------------|--|
| (S/N 20001+) | Includes serial numbers 20001 and above (to the latest number) |
| (S/N 10001 to 20000) | Includes serial numbers between and including 10001 and 20000 |
| (S/N 10000-) | Includes serial numbers 10000 and below (to the earliest number) |

Deck and Rear Deflector

Applies to RCR1884



24761

Deck and Rear Deflector

Applies to RCR1884

| Ref | Part No. | Part Description | Comments | Revision |
|------------|-----------------|---------------------------|-----------------|-----------------|
| | dwg24761 | Drawing Image Number | | |
| 1. | 326-019H | 1884 DECK WELDMENT | | |
| 1. | 326-019H81 | 1884 DECK WELDMENT GREEN | | |
| 1. | 326-019H82 | 1884 DECK WELDMENT ORANGE | | |
| 1. | 326-019H83 | 1884 DECK WELDMENT RED | | |
| 2. | 326-327D | REAR BAND DEFLECTOR | | |
| 3. | 802-183C | RHSNB 1/2-13X1 GR5 | | |
| 4. | 803-037C | NUT HEX WHIZ 1/2-13 PLT | | |

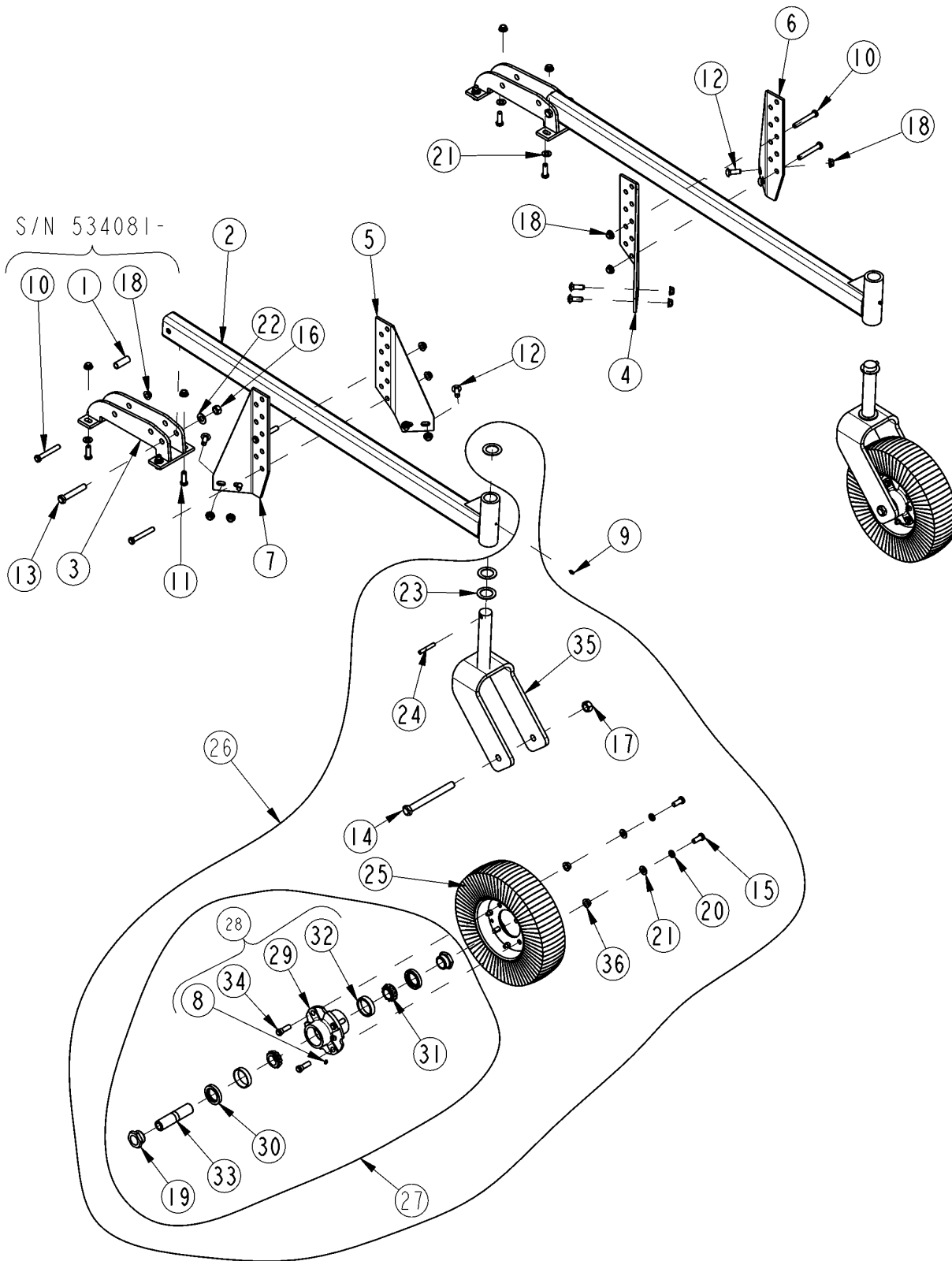
Driveline Hanger (327-143S)

Applies to RCR1884

| Ref | Part No. | Part Description | Comments | Revision |
|------------|-----------------------|---|-----------------|-----------------|
| | Dwg 72257 327-143S | Image No. DRIVELINE HOLDER W/HARDWARE * | | |
| 1. | 802-010C | HHCS 5/16-18X1 1/4 GR5 | | |
| 2. | 802-138C | HHCS 5/16-18X2 1/4 GR5 | | |
| 3. | 803-177C | NUT HEX FLG TP LK 5/16-18ZN | | |
| 4. | 804-036C | WASHER FLAT 5/16 SAE PLT | | |
| 5. | 807-350C | SPRING TORSION DRVLN HLDER | | |
| 6. | 837-062C | DRIVELINE HOOK | | |
| 7. | 837-063C | MOUNT DRIVELINE HOOK | | |

Gauge Wheel Dual

Applies to RCR1884



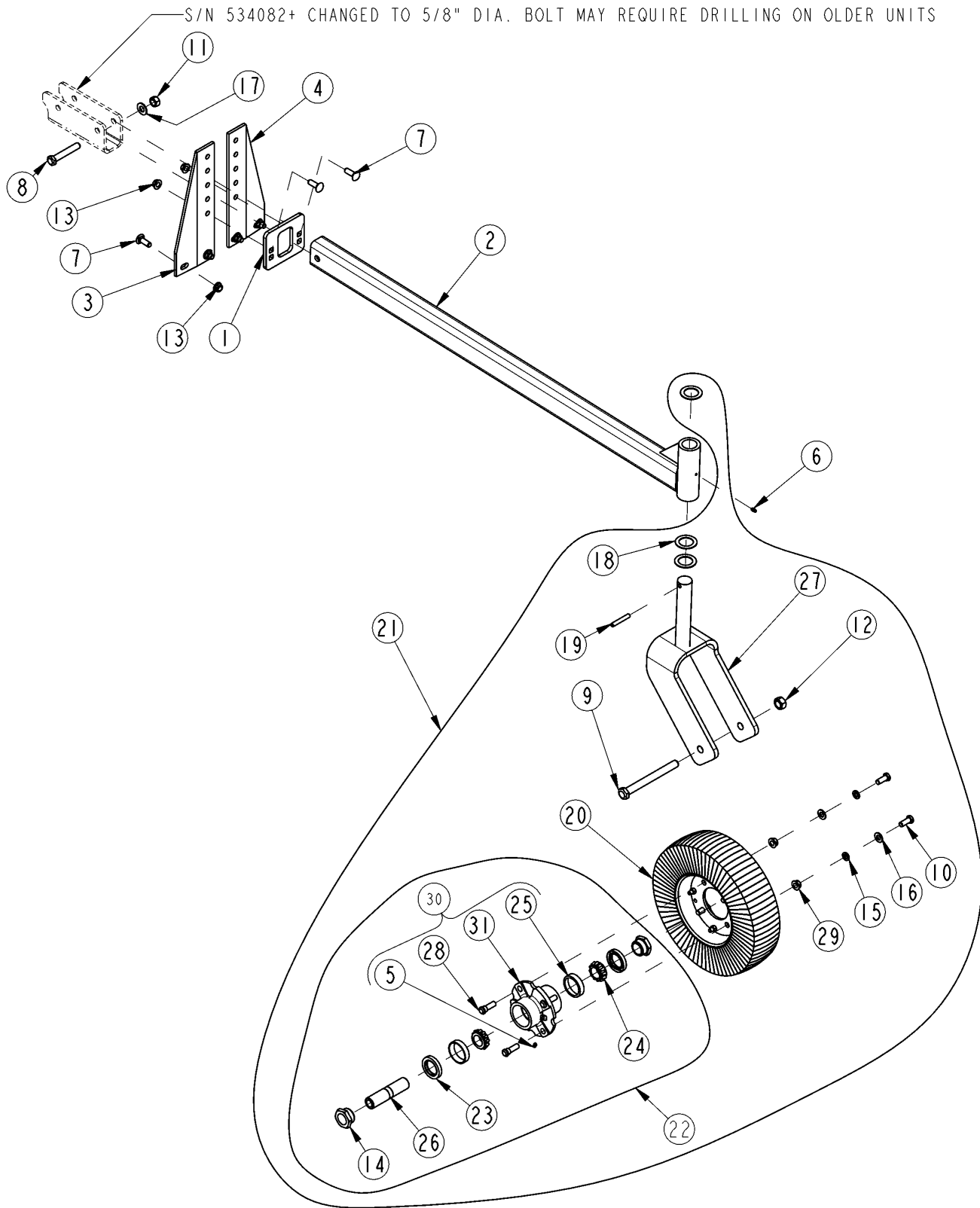
24769

Gauge Wheel Dual**Applies to RCR1884**

| Ref | Part No. | Part Description | Comments | Revision |
|-----|----------|--------------------------------|--|----------|
| | dwg24769 | Drawing Image Number | | |
| 1. | 312-629D | SPACER TUBE 3/4 OD X 2 1/32 | | |
| 2. | 312-879H | WELDMENT TAILWHEEL BEAM | S/N 534082+ Changed To 5/8" Dia. Bolt May Require Drilling On Older Units | |
| 3. | 326-035H | DUAL TAILWHEEL BRKT. WELDMENT | S/N 534082+ Changed To 5/8" Dia. Bolt May Require Drilling On Older Units | |
| 4. | 326-294D | ADJ. BRACKET INNER R.H. | | |
| 5. | 326-295D | ADJ. BRACKET INNER L.H. | | |
| 6. | 326-296D | ADJ. BRACKET OUTER R.H. | | |
| 7. | 326-297D | ADJ. BRACKET OUTER L.H. | | |
| 8. | 800-001C | GREASE ZERK STRAIGHT 1/4-28 | | |
| 9. | 800-080C | GREASE ZERK 1/4-28 THD FORMING | | |
| 10. | 802-041C | HHCS 1/2-13X3 1/2 GR5 | | |
| 11. | 802-091C | HHCS 1/2-13X1 1/2 GR5 | | |
| 12. | 802-106C | RHSNB 1/2-13X1 1/2 GR5 | | |
| 13. | 802-153C | HHCS 5/8-11X3 3/4 GR5 | S/N 534082+ | |
| 13. | 802-041C | HHCS 1/2-13X3 1/2 GR5 | S/N 534081- | |
| 14. | 802-280C | HHCS 3/4-10X7 1/2 GR5 | | |
| 15. | 802-326C | HHCS 1/2-20X1 1/4 GR5 | | |
| 16. | 803-024C | NUT LOCK 5/8-11 PLT | S/N 534082+ | |
| 16. | 803-169C | NUT HEX FLG. LOCK 1/2-13 PLT. | S/N 534081- | |
| 17. | 803-026C | NUT LOCK 3/4-10 PLT | | |
| 18. | 803-169C | NUT HEX FLG. LOCK 1/2-13 PLT. | | |
| 19. | 803-289C | NUT HEX 1 1/4-7(MACHINED)PLAIN | | |
| 20. | 804-015C | WASHER LOCK SPRING 1/2 PLT | | |
| 21. | 804-016C | WASHER FLAT 1/2 SAE PLT | | |
| 22. | 804-021C | WASHER FLAT 5/8 SAE PLT | S/N 534082+ | |
| 23. | 804-066C | WASHER MACH 2.25 X 1.50 X 14GA | | |
| 24. | 805-255C | PIN ROLL 3/8 X 2 1/2 PLT | | |
| 25. | 814-058C | TIRE & WHEEL LAMINATED 4.0 X 8 | | |
| 26. | 814-161C | LAM 4X8 TR-WL-HUB-YOKE 25 SER. | | |
| 27. | 815-092C | HUB & SPINDLE ASSY 4 BOLT | | |
| 28. | 815-230C | HUB 4 BLT W/CUPS, ZERK & STUDS | | |
| 29. | N/A | HUB 4BLT DUCTILE(USE 815-230C) | | |
| 30. | 816-286C | OIL SEAL DBL LIP 2.441 BORE | | |
| 31. | 822-091C | BRG 1.25ID CONE 15123 | | |
| 32. | 822-092C | BRG CUP 2.44OD 15245 | | |
| 33. | 827-036C | BUSHING TW 1.25ODX.78IDX5 1/4 | | |
| 34. | 802-135C | HUB STUD 1/2-20X1 5/8 GR5 | | |
| 35. | 890-961C | RC25 TAILWHEEL YOKE | | |
| 36. | 803-308C | NUT HEX FLG/LK 1/2-20 PLT GR G | | |

Gauge Wheel Single

Applies to RCR1884



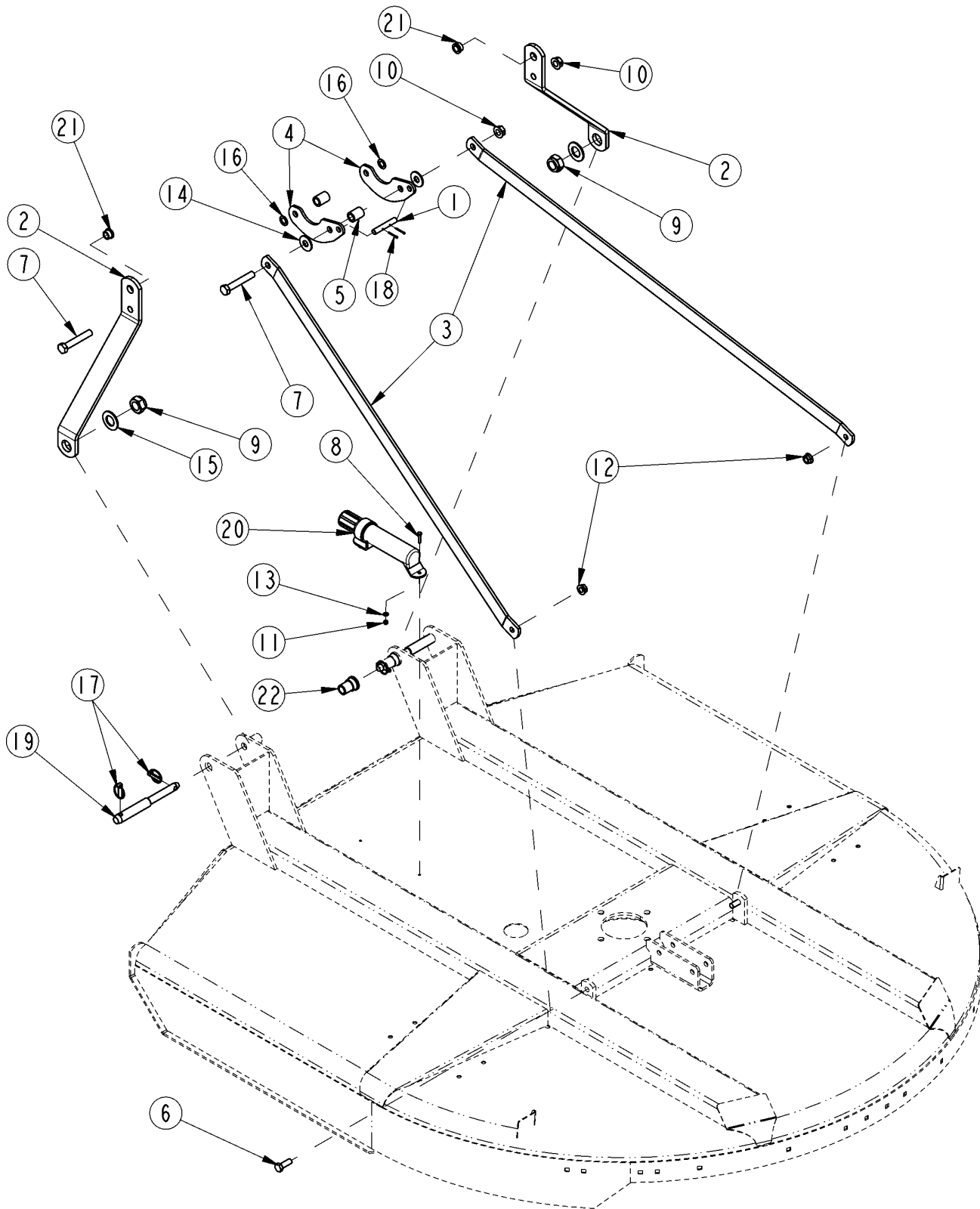
24768

Gauge Wheel Single**Applies to RCR1884**

| Ref | Part No. | Part Description | Comments | Revision |
|-----|----------|--------------------------------|---|----------|
| | dwg24768 | Drawing Image Number | | |
| 1. | 312-616D | TAILWHEEL ARM ADJUST PLATE | | |
| 2. | 312-879H | WELDMENT TAILWHEEL BEAM | S/N 534082+ Changed To 5/8" Dia. Bolt May Require Drilling On Older Units | |
| 3. | 326-365D | TAILWHEEL VERT. SUPPORT LH | | |
| 4. | 326-366D | TAILWHEEL VERT. SUPPORT RH | | |
| 5. | 800-001C | GREASE ZERK STRAIGHT 1/4-28 | | |
| 6. | 800-080C | GREASE ZERK 1/4-28 THD FORMING | | |
| 7. | 802-106C | RHSNB 1/2-13X1 1/2 GR5 | | |
| 8. | 802-153C | HHCS 5/8-11X3 3/4 GR5 | S/N 534082+ | |
| 8. | 802-041C | HHCS 1/2-13X3 1/2 GR5 | S/N 534081- | |
| 9. | 802-280C | HHCS 3/4-10X7 1/2 GR5 | | |
| 10. | 802-326C | HHCS 1/2-20X1 1/4 GR5 | | |
| 11. | 803-024C | NUT LOCK 5/8-11 PLT | S/N 534082+ | |
| 11. | 803-169C | NUT HEX FLG. LOCK 1/2-13 PLT. | S/N 534081- | |
| 12. | 803-026C | NUT LOCK 3/4-10 PLT | | |
| 13. | 803-169C | NUT HEX FLG. LOCK 1/2-13 PLT. | | |
| 14. | 803-289C | NUT HEX 1 1/4-7(MACHINED)PLAIN | | |
| 15. | 804-015C | WASHER LOCK SPRING 1/2 PLT | | |
| 16. | 804-016C | WASHER FLAT 1/2 SAE PLT | | |
| 17. | 804-021C | WASHER FLAT 5/8 SAE PLT | S/N 534082+ | |
| 18. | 804-066C | WASHER MACH 2.25 X 1.50 X 14GA | | |
| 19. | 805-255C | PIN ROLL 3/8 X 2 1/2 PLT | | |
| 20. | 814-058C | TIRE & WHEEL LAMINATED 4.0 X 8 | | |
| 21. | 814-161C | LAM 4X8 TR-WL-HUB-YOKE 25 SER. | | |
| 22. | 815-092C | HUB & SPINDLE ASSY 4 BOLT | | |
| 23. | 816-286C | OIL SEAL DBL LIP 2.441 BORE | | |
| 24. | 822-091C | BRG 1.25ID CONE 15123 | | |
| 25. | 822-092C | BRG CUP 2.44OD 15245 | | |
| 26. | 827-036C | BUSHING TW 1.25ODX.78IDX5 1/4 | | |
| 27. | 890-961C | RC25 TAILWHEEL YOKE | | |
| 28. | 802-135C | HUB STUD 1/2-20X1 5/8 GR5 | | |
| 29. | 803-308C | NUT HEX FLG/LK 1/2-20 PLT GR G | | |
| 30. | 815-230C | HUB 4 BLT W/CUPS, ZERK & STUDS | | |
| 31. | N/A | HUB 4BLT DUCTILE(USE 815-230C) | | |

Hitch Components S/N 945302-

Applies to RCR1884



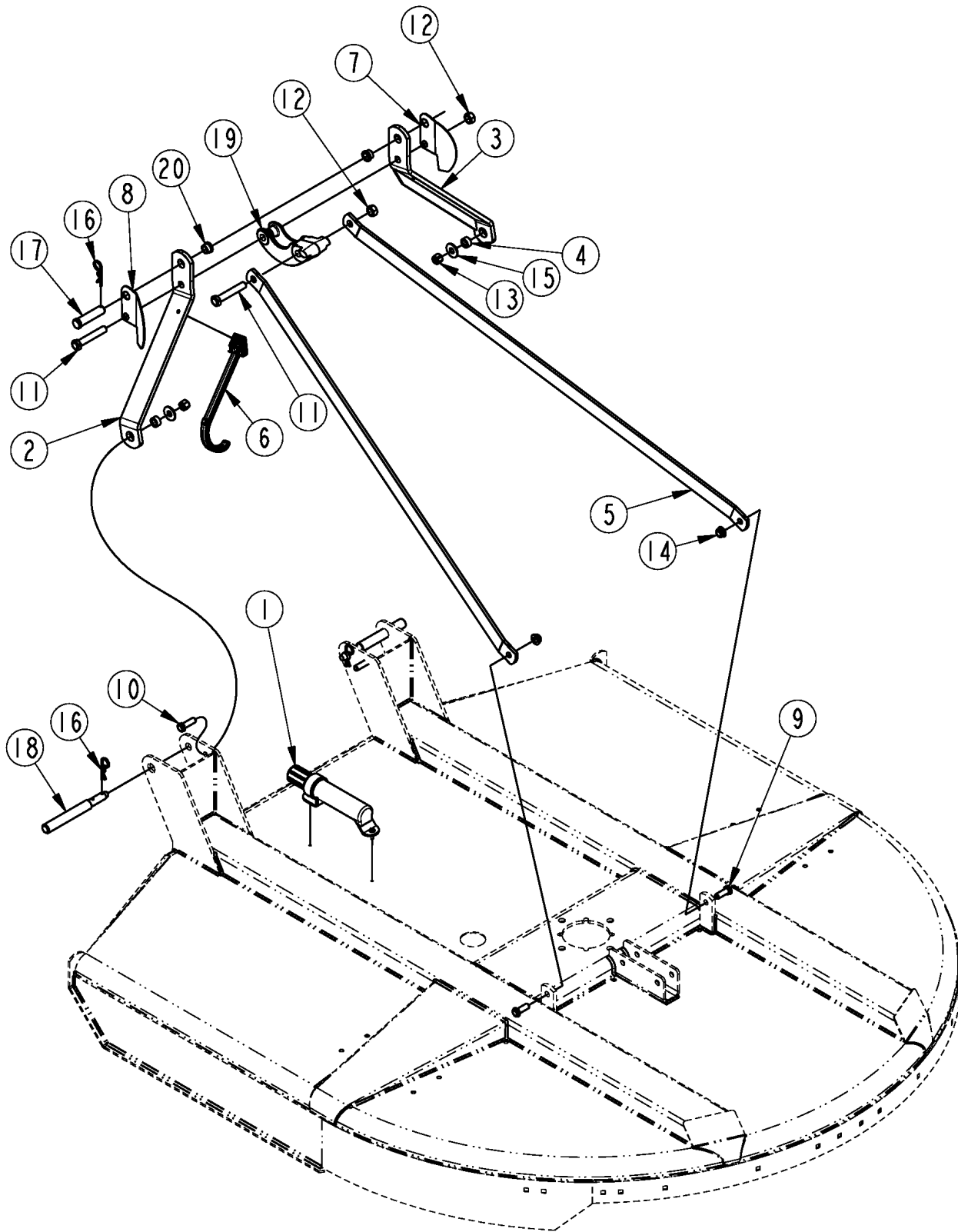
24762

Hitch Components S/N 945302-**Applies to RCR1884**

| Ref | Part No. | Part Description | Comments | Revision |
|------------|-----------------|--------------------------------|--------------------------------|-----------------|
| | dwg24762 | Drawing Image Number | | |
| 1. | 326-188D | PIN, STOP | | |
| 2. | 326-317D | HITCH STRAP | | |
| 3. | 326-319D | REAR BRACE | | |
| 4. | 326-320D | REAR BRACE HINGE | | |
| 5. | 326-329D | SPACER 1 1/4ODX25/32IDX1 5/8 | | |
| 6. | 802-053C | HHCS 5/8-11X1 3/4 GR5 | | |
| 7. | 802-192C | HHCS 3/4-10X4 1/2 GR5 | | |
| 8. | 802-224C | HHCS 1/4-20X1 1/4 GR5 | S/N 543370+ | |
| 9. | 803-180C | NUT HEX 1 1/4-12 PLT TOP LOCK | | |
| 10. | 803-181C | NUT HEX FLANGE LOCK 3/4-10 PLT | | |
| 11. | 803-255C | NUT HEX NYLOCK 1/4-20 | S/N 543370+ | |
| 12. | 803-263C | NUT HEX FLANGE LOCK 5/8-11 PLT | | |
| 13. | 804-007C | WASHER FLAT 1/4 SAE PLT | S/N 543370+ | |
| 14. | 804-024C | WASHER FLAT 3/4 USS PLT | | |
| 15. | 804-039C | WASHER FLAT 1 1/4 SAE PLT | | |
| 16. | 804-156C | WASHER MACH 1 1/4X3/4X14GA | | |
| 17. | 805-103C | PIN LINCH 7/16 X 1 3/4 | | |
| 18. | 805-109C | PIN COTTER 1/8 X 1 1/4 PLT | | |
| 19. | 805-388C | PIN HITCH CAT. I-II | | |
| 20. | 816-504C | MANUAL STORAGE CONTAINER | S/N 543370+ | |
| 21. | 827-071C | BUSHING STEP 1.25ODX.765IDX.70 | Optional Does Not Come W/ Unit | |
| 22. | 326-328D | HITCH MOUNT STUB | Welding Required | |

Hitch Components S/N 945303+

Applies to RCR1884



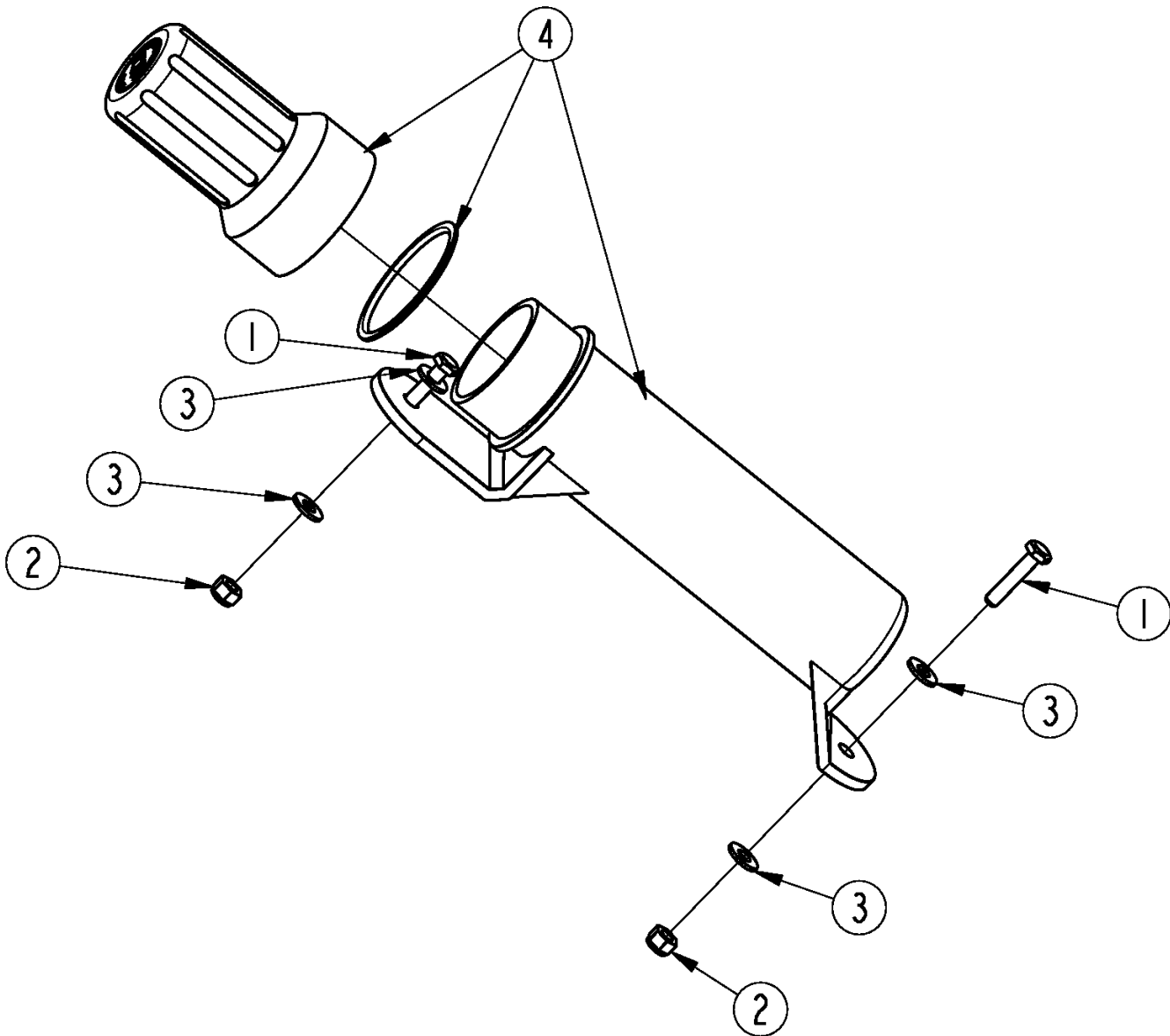
37985

Hitch Components S/N 945303+**Applies to RCR1884**

| Ref | Part No. | Part Description | Comments | Revision |
|-----|-----------|--------------------------------|--|----------|
| | Dwg 37985 | Drawing Image Number | | |
| 1. | 326-095S | MANUAL CONTAINER KIT, 1 1/4 | | |
| 2. | 326-389H | LH UPPER HITCH STRAP WLDMT | | |
| 3. | 326-390H | RH UPPER HITCH STRAP WLDMT | | |
| 4. | 326-546D | BSH 1.12ODX.69IDX.55L | | |
| 5. | 326-574D | REAR BRACE 84 | | |
| 6. | 327-143S | DRIVELINE HOLDER W/HARDWARE | | |
| 7. | 327-781D | SHIELD UPPER RH W/1" HOLE | S/N 1315597+ Include decal 858-148C see decal placement | |
| 8. | 327-782D | SHIELD UPPER LH W/1" HOLE | S/N 1315597+ Include decal 858-148C see decal placement | |
| 9. | 802-053C | HHCS 5/8-11X1 3/4 GR5 | | |
| 10. | 802-055C | HHCS 5/8-11X2 GR5 | | |
| 11. | 802-192C | HHCS 3/4-10X4 1/2 GR5 | | |
| 12. | 803-026C | | | |
| 12. | 803-077C | RPBY 803-026C | Obsolete (S/N 979509+) | |
| 12. | 803-181C | NUT HEX FLANGE LOCK 3/4-10 PLT | S/N 979508- | |
| 13. | 803-148C | NUT HEX NYLOCK 5/8-11 PLT | | |
| 14. | 803-263C | NUT HEX FLANGE LOCK 5/8-11 PLT | | |
| 15. | 804-019C | WASHER FLAT 5/8 USS PLT | | |
| 16. | 805-088C | PIN, HAIR COTTER 3/16 WIRE DIA | | |
| 17. | 805-124C | PIN CLVS 1.0X3.69 USBL GR5 | | |
| 18. | 805-485C | PIN HTCH C1-C2 10.18 L | | |
| 19. | 812-500C | FLOAT TOP HITCH CAST DUCTILE | | |
| 20. | 827-071C | BUSHING STEP 1.25ODX.765IDX.70 | Optional Does Not Come W/ Unit | |

Manual Tube

Applies to RCR1884



39163

Manual Tube

Applies to RCR1884

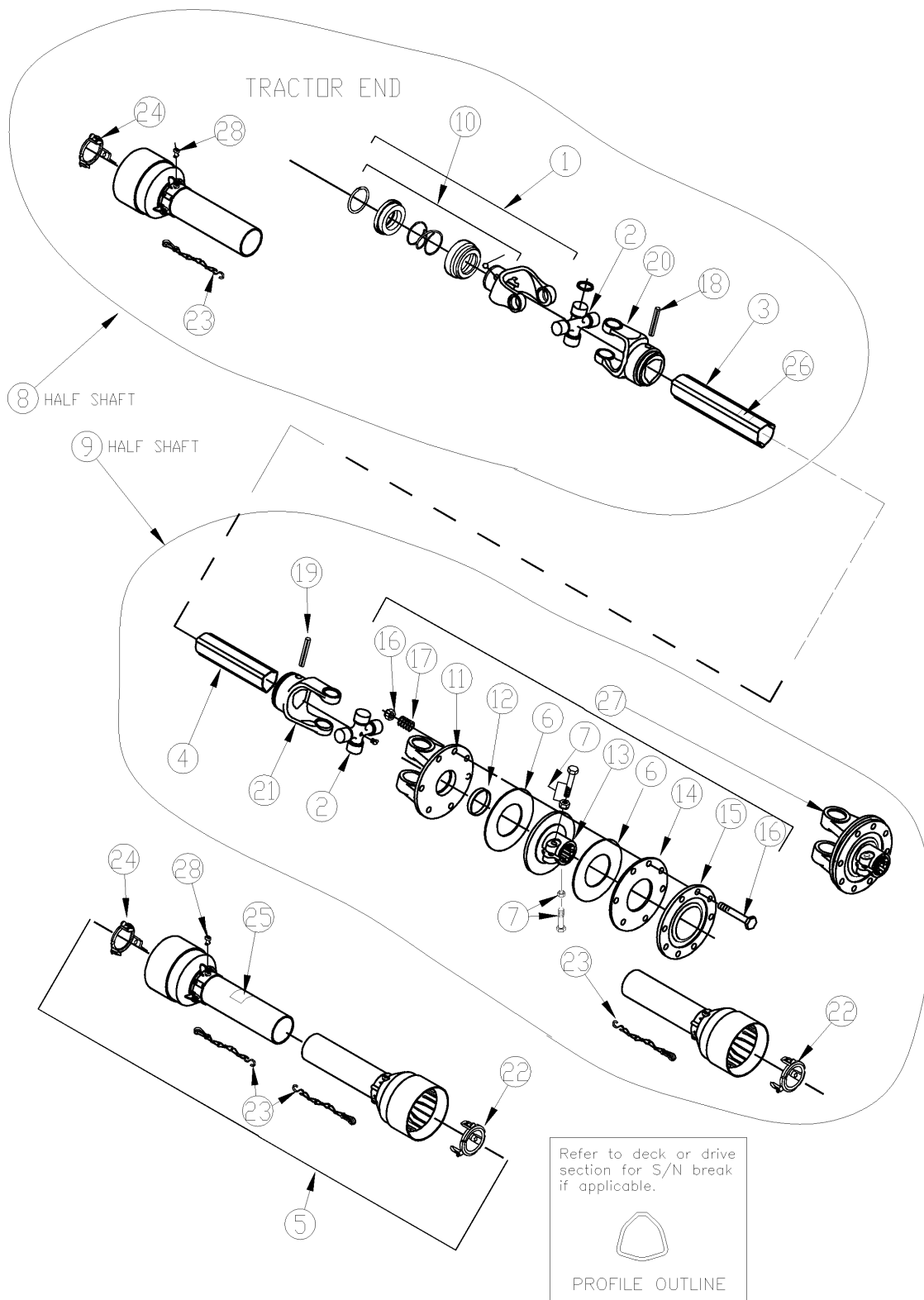
| Ref | Part No. | Part Description | Comments | Revision |
|------------|-----------------------|---|-----------------|-----------------|
| | Dwg 39163 326-095S | Image No. MANUAL CONTAINER KIT, 1 1/4 * | | |
| 1. | 802-224C | HHCS 1/4-20X1 1/4 GR5 | | |
| 2. | 803-255C | NUT HEX NYLOCK 1/4-20 | | |
| 3. | 804-007C | WASHER FLAT 1/4 SAE PLT | | |
| 4. | 816-504C | MANUAL STORAGE CONTAINER | | |

Blade Drive**Applies to RCR1884**

| Ref | Part No. | Part Description | Comments | Revision |
|-----|---------------|--------------------------------|-------------------------|----------|
| | Dwg 24763 | Drawing Image Number | | |
| 1. | 8.2.2.00555 | CO NUT, CASTLE M30 X 2 | | |
| 2. | 8.4.7.00146 | CO COTTER PIN B6 X 60 | | |
| 3. | 0.139.7101.00 | CO BLANK WASHER | | |
| 4. | 312-075D | BLADE SPACER 16 GA .06 thick | As Required S/N 776426- | |
| | 312-082D | RPBY 312-808D QTY 2 | As Required S/N 776426- | |
| 4. | 312-089D | BLADE SPACER 20 GA .04 thick | As Required S/N 776426- | |
| 4. | 312-808D | BLADE SPACER 24GA .03 thick | As Required S/N 776426- | |
| 5. | 312-388H | 27 OVAL DISHPAN WELDMNT(OMNI) | | |
| 6. | N/A | RCR1884 BLADE CARRIER ASSY | | |
| 8. | 802-065C | HHCS 3/4-10X2 1/4 GR5 | S/N 558465+ | |
| 8. | 802-064C | HHCS 3/4-10X2 GR5 | S/N 558464- | |
| 9. | 802-277C | BLADE BOL 1 1/8-12X3 7/16 W/KY | | |
| 10. | 803-170C | NUT HEX TOP LOCK 1 1/8-12 PLT. | | |
| 11. | 803-299C | NUT HEX FLG TOP LK 3/4-10 PLT | | |
| 12. | 804-009C | WASHER LOCK SPRING 5/16 PLT | | |
| 13. | 804-010C | WASHER FLAT 5/16 USS PLT | | |
| 14. | 804-147C | WASHER FLAT 1" HARDENED | | |
| 15. | 820-138C | CUTTER BLADE 1/2 X 4 X 31 CCW | | |
| 16. | 826-376C | GBOX RC25 1.38-6 1:1.47 STD. | | |
| 17. | 826-490C | COMER U0.210.7100.00 DIPSTICK | | |
| 18. | 826-510C | PTO CAT. 4 X 48.42 SLIP CLUTCH | | |
| 19. | 837-101C | LAND PRIDE CONE | | |
| 19. | 826-648C | LARGE SHAFT CONE W ACCESS DOOR | Replaced with 837-101C | |
| 20. | 840-273C | PLUG LP 3" ID RUBBER | | |
| 21. | 842-243C | HHCS M8X1.25X20 GR8.8 THD-LCK | | |
| 21. | 802-314C | RPBY 842-243C | | |
| 22. | 318-586A | BLADE BOLT KIT | | |

Driveline w/ 2 Plate Slip Clutch (826-510C)

Applies to RCR1884



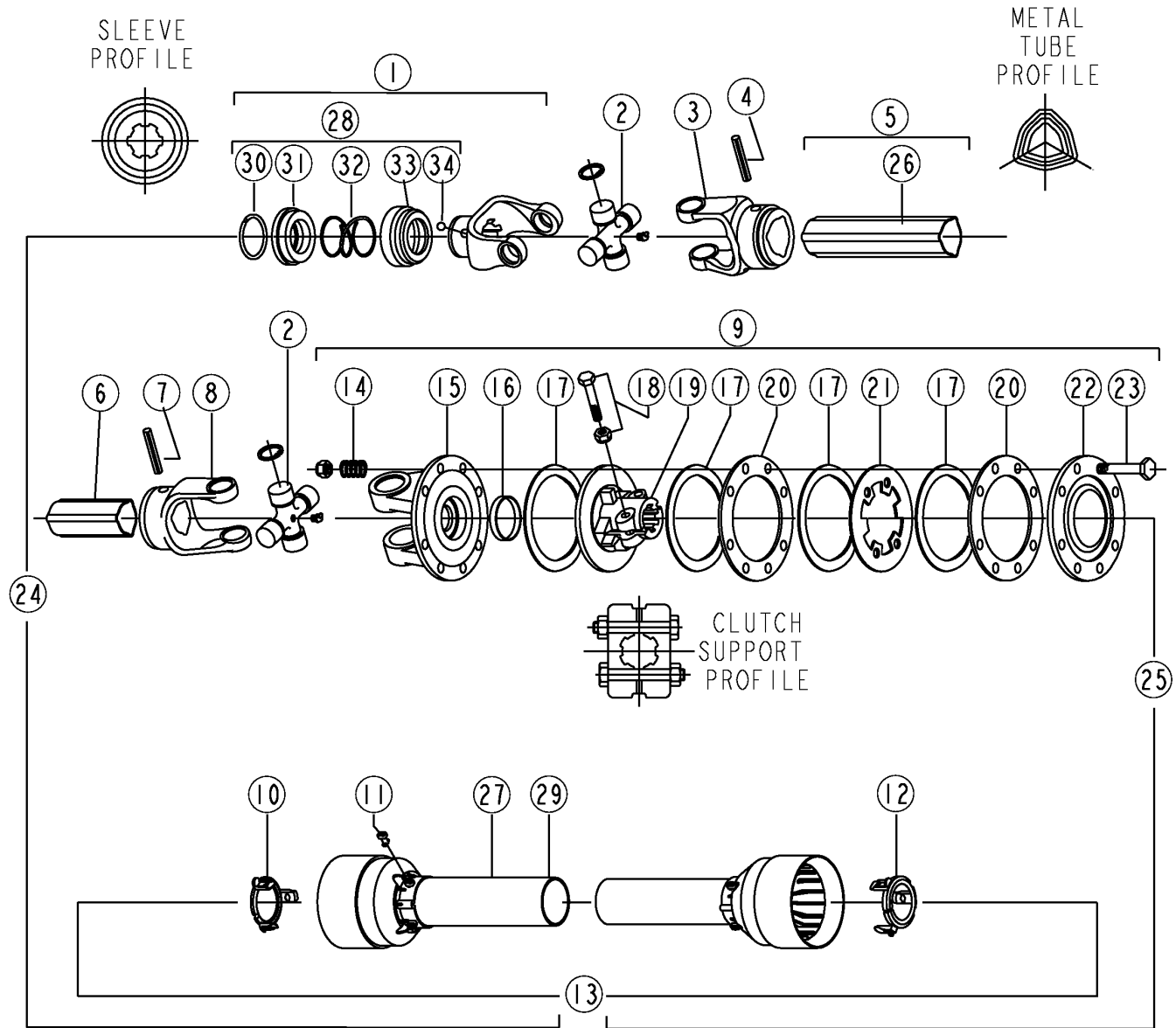
24771

Driveline w/ 2 Plate Slip Clutch (826-510C)**Applies to RCR1884**

| Ref | Part No. | Part Description | Comments | Revision |
|-----|-----------------|-------------------------------------|-------------|----------|
| | dwg24771 | Drawing Image Number | | |
| | 826-510C | PTO CAT. 4 X 48.42 SLIP CLUTCH * | | |
| 1. | 141.025.363.1 | CO COMPLETE COLLAR YOKE C12 | | |
| 2. | 180.015.130 | COMER CROSS JOURNAL SET | | |
| 3. | 152.150.2140710 | CO COMPLETE OUTER TUBE | | |
| 4. | 153.150.114 | CO INNER TUBE | | |
| 5. | 142.250.3707521 | CO COMP. GUARD W/INST. MANUAL | | |
| 6. | 180.019.018 | COMER LINING RING | | |
| 7. | 165.000.502 | COMER NUT & BOLT M12X1.25X65 | | |
| 8. | 123.350.175.11 | CO HALF FEMALE SHAFT W/GUARD | | |
| 9. | 8123.450.326.11 | CO HALF MALE SHAFT W/GUARD | S/N _____+ | |
| 9. | N/A | CO HALF MALE SHAFT W/GUARD | S/N _____- | |
| 10. | 165.000.628 | COMER COLLOR KIT 1-3/8 YOKE | | |
| 11. | 151.015.038.1 | CO FLANGED YOKE | | |
| 12. | 180.019.019 | COMER BUSH | | |
| 13. | 146.252.011.1 | CO COMPLETE DISC CLUTCH F22 | | |
| 13. | 151.018.018.1 | RPBY 146.252.011.1 | | |
| 14. | 180.019.014 | COMER INNER PLATE | | |
| 15. | 180.019.116.1 | COMER PRESSURE PLATE | | |
| 16. | 165.000.549 | CO BOLT M10X85 & NUT | | |
| 17. | 180.019.017 | CO SPRING | | |
| 18. | 190.000.016 | COMER ROLL PIN, INNER TUBE | | |
| 19. | 190.000.394 | COMER ROLL PIN FOR INNER TUBE | | |
| 20. | 151.015.011.1 | RPBY 151.015.011 | | |
| 20. | 151.015.011 | COMER OUTER YOKE | | |
| 21. | 151.015.012.1 | CO INNER YOKE | | |
| 22. | 180.015.289 | CO GUARD RETAIN. COLLAR I.T. | | |
| 23. | 044321 | DRIVELINE SHIELD SAFETY CHAIN | S/N 928934- | |
| 24. | 180.015.288 | CO GUARD RETAIN. COLLAR O.T. | | |
| 25. | 190.000.099 | COMER DANGER LABEL GUARD OUTER | | |
| 26. | 190.000.098 | COMER DANGER LABEL OUTER TUBE | | |
| 27. | 146.252.011.1 | CO COMPLETE DISC CLUTCH F22 | | |
| 28. | 8180.014.240 | COMER BOLT | | |

Driveline w/ 4 Plate Slip Clutch (826-510C)

Applies to RCR1884

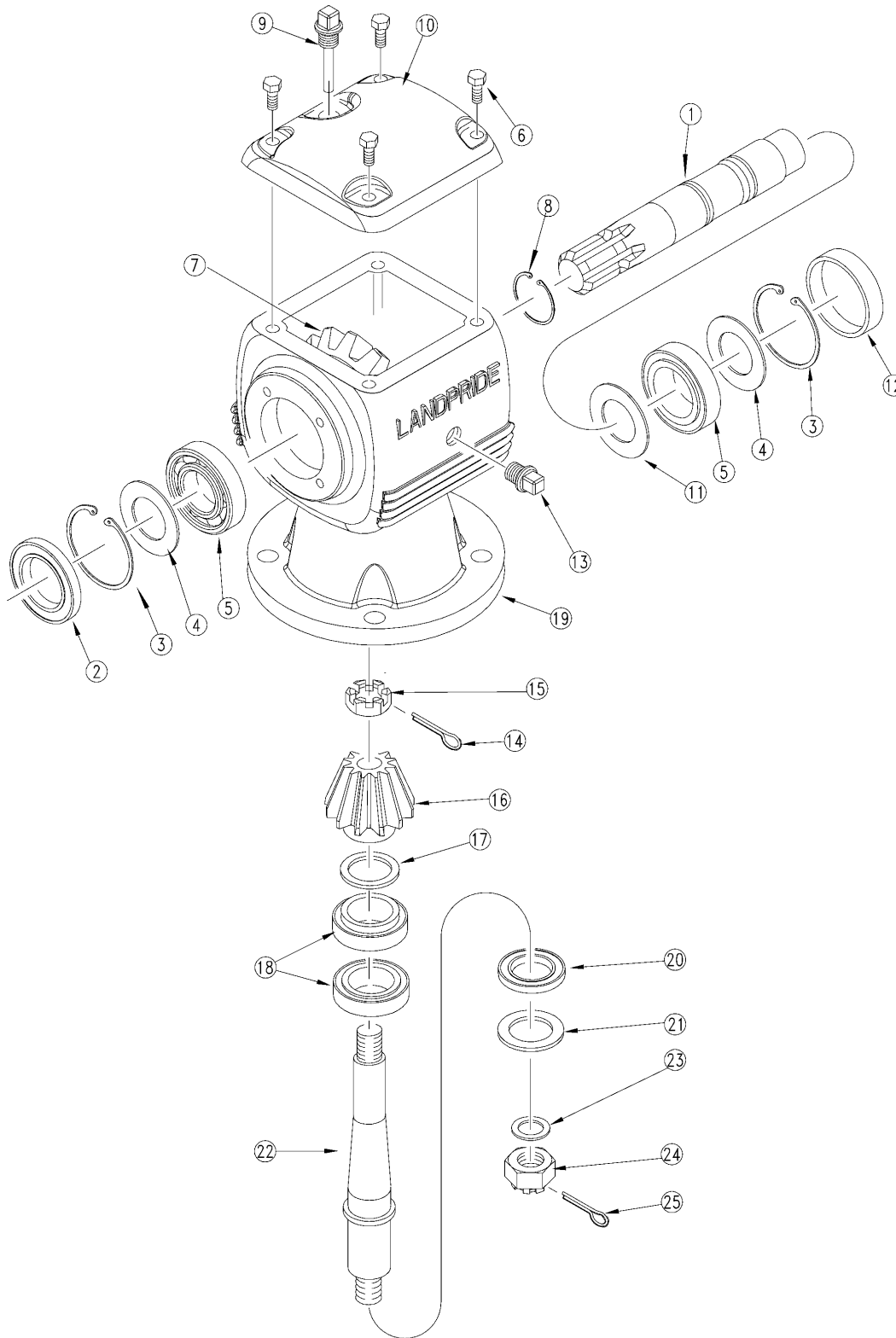


Driveline w/ 4 Plate Slip Clutch (826-510C)**Applies to RCR1884**

| Ref | Part No. | Part Description | Comments | Revision |
|------------|-----------------------|---|-----------------|-----------------|
| | Dwg 72993 826-510C | Image No. DRVLN C4 48 1.38-6 QD CLTCH * | | |
| 1. | 141.025.363.1 | CO COMPLETE COLLAR YOKE C12 | | |
| 2. | 180.015.130 | COMER CROSS JOURNAL SET | | |
| 3. | N/A | COMER OUTER YOKE | | |
| 4. | N/A | COMER ROLL PIN, INNER TUBE | | |
| 5. | N/A | CO COMPLETE OUTER TUBE | | |
| 6. | N/A | CO INNER TUBE | | |
| 7. | N/A | COMER ROLL PIN FOR INNER TUBE | | |
| 8. | N/A | CO INNER YOKE | | |
| 9. | 146.254.015.11 | CO DISC CLUTCH F42 (11350 NM) | | |
| 10. | 180.015.288 | CO GUARD RETAIN. COLLAR O.T. | | |
| 11. | 180.014.240 | COMER BOLT | | |
| 12. | 180.015.289 | CO GUARD RETAIN. COLLAR I.T. | | |
| 13. | 142.250.3707521 | CO COMP. GUARD W/INST. MANUAL | | |
| 14. | 180.014.022 | COMER SPRING | | |
| 15. | 151.015.038.1 | CO FLANGED YOKE | | |
| 16. | 180.019.019 | COMER BUSH | | |
| 17. | 180.019.340 | COMER LINING RING | | |
| 18. | 165.000.502 | COMER NUT & BOLT M12X1.25X65 | | |
| 19. | 151.019.011.1 | CO CLUTCH SUPPORT F42 | | |
| 20. | 180.019.014 | COMER INNER PLATE | | |
| 21. | 180.019.115 | COMER INTERMEDIATE PLATE | | |
| 22. | 180.019.116.1 | COMER PRESSURE PLATE | | |
| 23. | 165.000.548 | COMER BOLT WITH NUT M10X100 | | |
| 24. | 8123.350.175.11 | CO HALF FEMALE SFT W/GUARDING | | |
| 25. | 8123.450.326.11 | CO HALF MALE SHAFT W/GUARD | | |
| 26. | 190.000.098 | COMER DANGER LABEL OUTER TUBE | | |
| 27. | 190.000.099 | COMER DANGER LABEL GUARD OUTER | | |
| 28. | 165.000.628 | COMER COLLAR KIT 1 3/8 YOKE | | |
| 29. | 190.000.856 | CO LABEL W/ CUSTOMER CODE | | |
| 30. | 190.000.451 | COMER OUTER CIRCLIP | | |
| 31. | 151.016.486 | COMER SLIDING SLEEVE COLLER | | |
| 32. | 180.016.487 | COMER SPRING | | |
| 33. | 180.016.483 | COMER FIXED SLEEVE | | |
| 34. | 190.000.078 | COMER BALL 1/2" | | |

Gearbox (826-376C)

Applies to RCR1884



21186

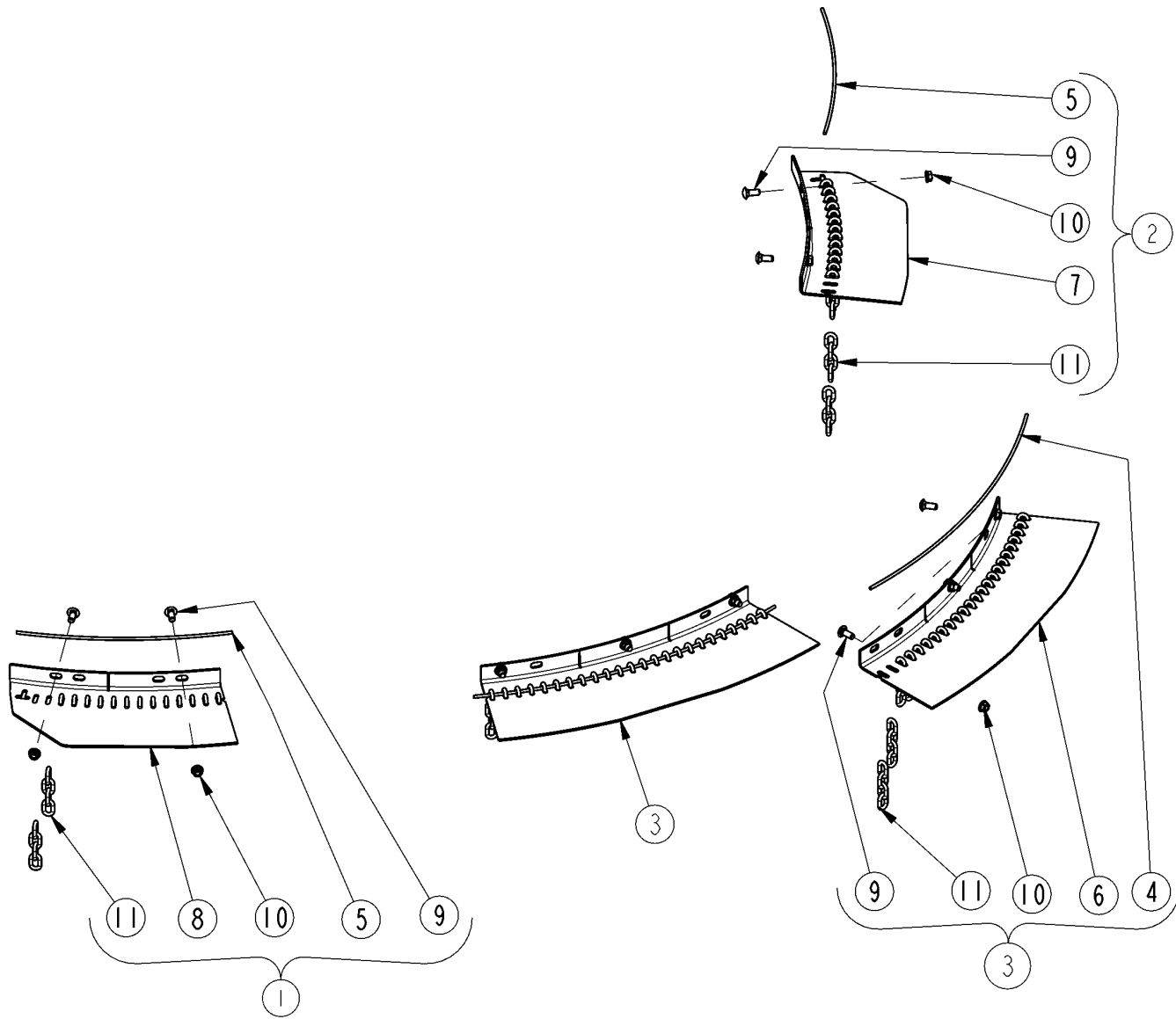
Gearbox (826-376C)**Applies to RCR1884**

| Ref | Part No. | Part Description | Comments | Revision |
|-----|-----------------------|---|----------|----------|
| | Dwg 21186 826-376C | Drawing Image Number GBOX RC25 1.38-6 1:1.47 STD. * | | |
| 1. | 0.210.2000.00 | CO INPUT SHAFT 1.38-6 | | |
| 2. | 8.7.3.00331 | CO OIL SEAL 45 X 85 X 10 | | |
| 3. | 8.5.2.00332 | CO SNAP RING UNI 7437 | | |
| 4. | 0.709.7500.00 | CO SHIM 84.7 | | |
| 5. | 8.0.9.00143 | CO BEARING 30209 RTA25 | | |
| 6. | 8.1.1.00501 | CO BOLT M10X22 HHB | | |
| 7. | 0.210.6001.00 | CO GEAR CROWN Z23 M6 | | |
| 8. | 8.5.1.00533 | CO SNAP RING 50 UNI7435 | | |
| 9. | 826-490C | COMER U0.210.7100.00 DIPSTICK | | |
| 10. | 0.210.1300.00 | CO COVER | | |
| 11. | 0.252.7525.00 | CO SHIM 45.3X2.5 | | |
| 12. | 0.121.7101.00 | CO CAP | | |
| 13. | 8.6.6.00201 | CO PLUG 3/8 GAS | | |
| 14. | 8.4.7.02265 | CO COTTER PIN B 5X60 | | |
| 15. | 0.132.7106.00 | CO NUT M30 X 1.5 | | |
| 16. | 0.210.5001.00 | CO PINION Z16 M6 | | |
| 17. | 0.712.7500.00 | CO SHIM 50.3X70.3 | | |
| 18. | 04-011 | ITG BEARING ASSEMBLY | | |
| 19. | 0.210.0300.00 | CO CASTING & MACHINE | | |
| 20. | 8.7.1.01107 | CO SEAL (50x90x10) | | |
| 21. | 0.139.7100.00 | CO SEAL RETAINER | | |
| 22. | 0.210.3001.00 | CO OUTPUT SHAFT | | |
| 23. | 0.139.7101.00 | CO BLANK WASHER | | |
| 24. | 8.2.2.00555 | CO NUT, CASTLE M30 X 2 | | |
| 25. | 8.4.7.00146 | CO COTTER PIN B6 X 60 * | | |

Notes: Oil Type 80-90W Capacity 6.5 Pints

Guard Chain Rear

Applies to RCR1884



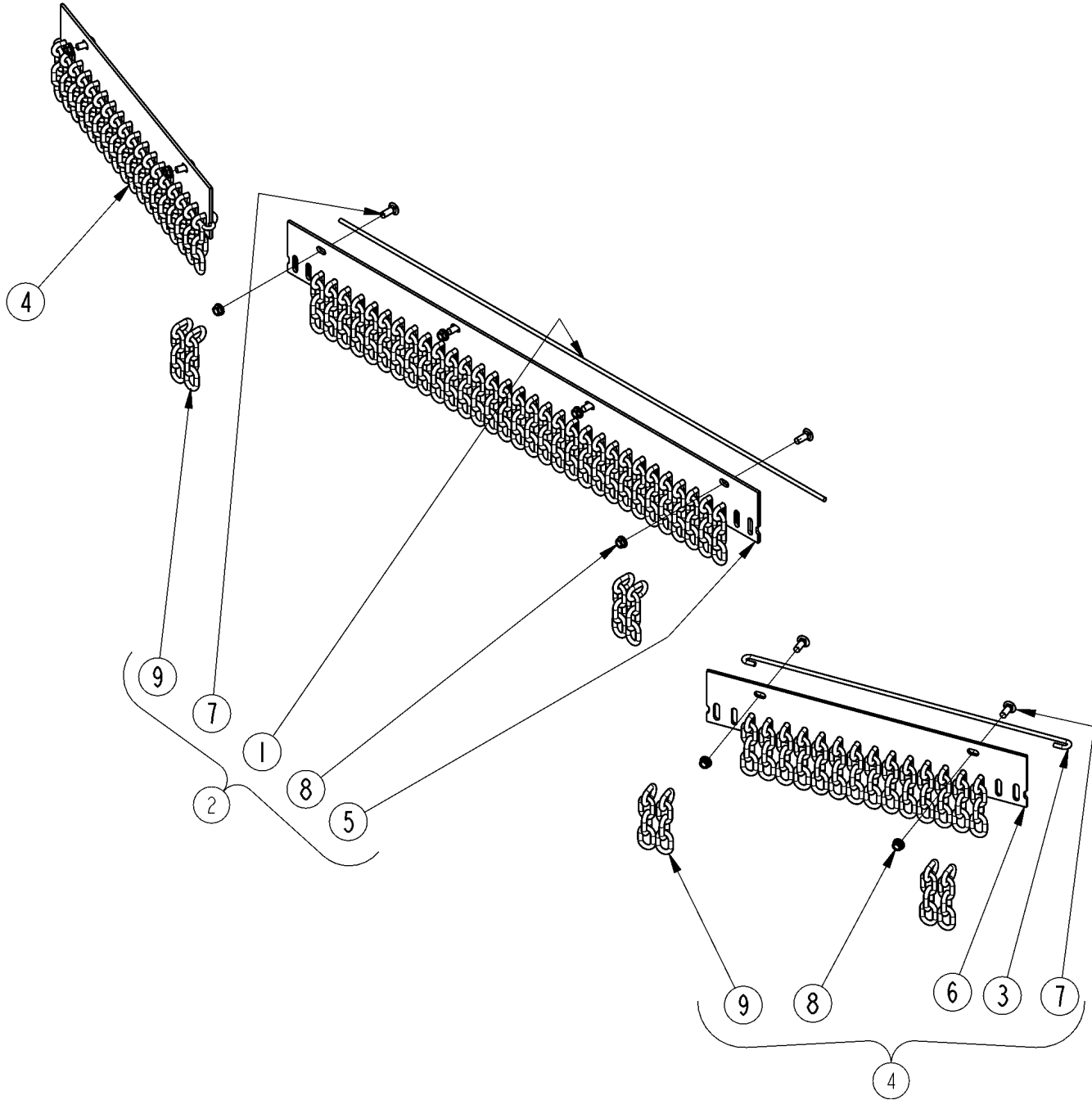
24766

Guard Chain Rear**Applies to RCR1884**

| Ref | Part No. | Part Description | Comments | Revision |
|------------|-----------------|--------------------------------|-----------------|-----------------|
| | Dwg 24766 | Drawing Image Number | | |
| | 312-872A | REAR CHAIN GUARD ASSEMBLY * | | |
| 1. | 312-873K | 1884 LH REAR CHN GUARD ASSY | | |
| 2. | 312-874K | 1884 RH REAR CHN GUARD ASSY | | |
| 3. | 312-875K | 1884 CTR REAR CHN GUARD ASSY | | |
| 4. | 312-891D | ROUND ROD 1/4 X 30 1/2 | | |
| 5. | 318-141D | RPBY 318-618D | | |
| 5. | 318-618D | ROUND ROD .25 X 21 | | |
| 6. | 326-324D | REAR CTR CHAIN GUARD | | |
| 7. | 326-325D | REAR RH CHAIN GUARD | | |
| 8. | 326-326D | REAR LH CHAIN GUARD | | |
| 9. | 802-214C | RHSNB 1/2-13X1 1/4 GR5 | | |
| 10. | 803-037C | NUT HEX WHIZ 1/2-13 PLT | | |
| 11. | 890-400C | CHAIN WELD 5/16 PROOF X 4 LINK | | |

Guard Chain Single Front

Applies to RCR1884



24764

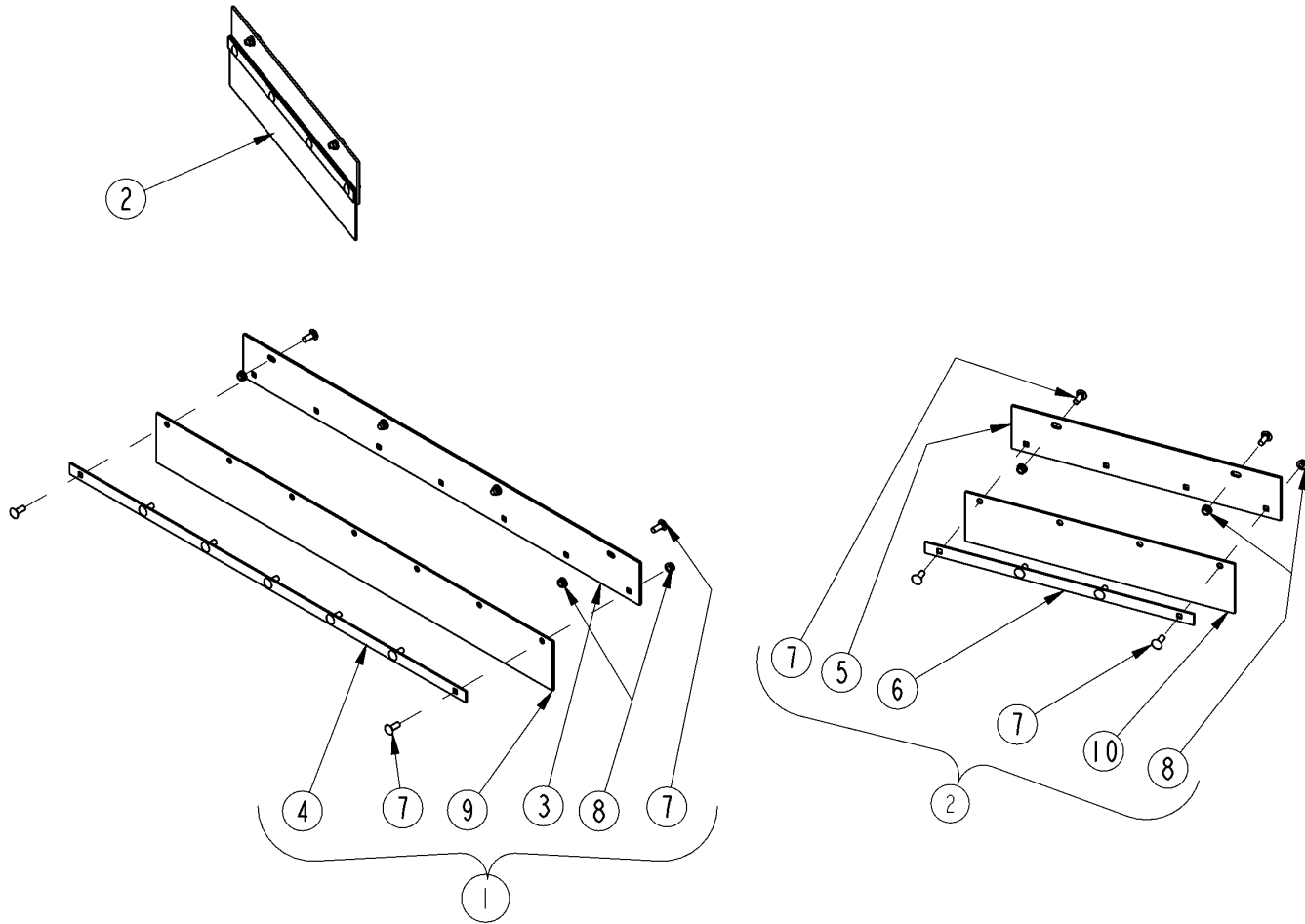
Guard Chain Single Front

Applies to RCR1884

| Ref | Part No. | Part Description | Comments | Revision |
|------------|-----------------|---------------------------------|-----------------|-----------------|
| | dwg24764 | Drawing Image Number | | |
| | 312-869A | FRONT CHAIN GUARD ASSEMBLY * | | |
| 1. | 312-737D | ROD 1/4 X 43 PLTD. | | |
| 2. | 312-870K | FRONT CHAIN GUARD ASSY | | |
| 3. | 318-337D | ROUND ROD 1/4 X 25 | | |
| 4. | 326-034K | SIDE CHAIN GUARD ASSY | | |
| 5. | 326-323D | FRONT CHAIN GUARD | | |
| 6. | 326-362D | SIDE CHAIN GUARD | | |
| 7. | 802-015C | RHSNB 3/8-16X1 GR5 | | |
| 8. | 803-198C | NUT HEX WHIZ 3/8-16 PLT | | |
| 9. | 890-400C | CHAIN WELD 5/16 PROOF X 4 LINK | | |

Guard Rubber Front

Applies to RCR1884



24765

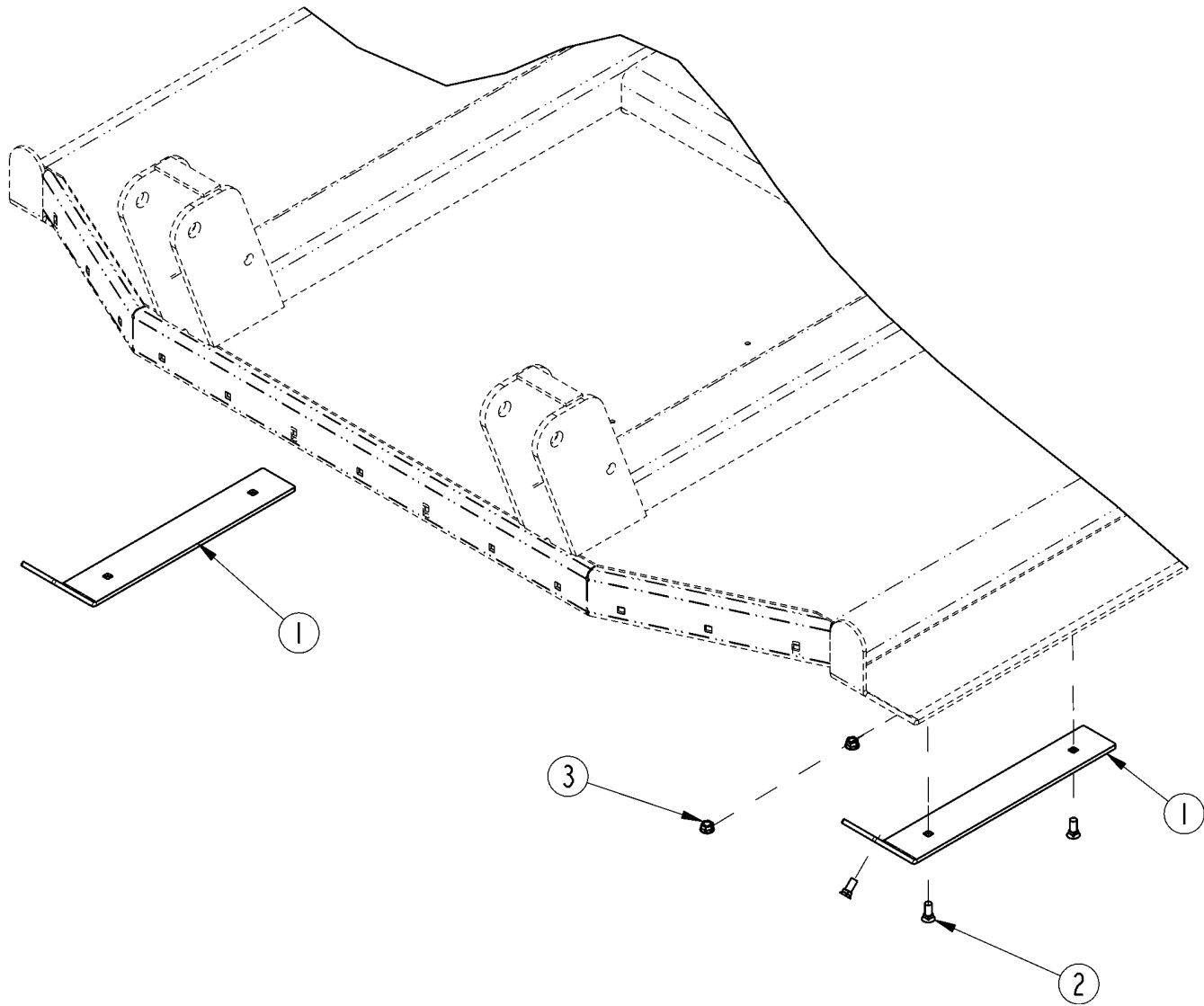
Guard Rubber Front

Applies to RCR1884

| Ref | Part No. | Part Description | Comments | Revision |
|------------|-----------------|---------------------------------|-----------------|-----------------|
| | dwg24765 | Drawing Image Number | | |
| | 312-866A | 1884 FRONT RUBBER COMPLETE * | | |
| 1. | 312-867K | FRONT RUBBER DEFLECTOR ASSY | | |
| 2. | 326-033K | SIDE RUBBER DEFLECTOR ASSY | | |
| 3. | 326-321D | FRONT DEFLECTOR BRACKET | | |
| 4. | 326-322D | DEFLECTOR SUPPORT FLAT | | |
| 5. | 326-360D | SIDE DEFLECTOR BRACKET | | |
| 6. | 326-361D | SIDE DEFLECTOR SUPPORT FLAT | | |
| 7. | 802-015C | RHSNB 3/8-16X1 GR5 | | |
| 8. | 803-198C | NUT HEX WHIZ 3/8-16 PLT | | |
| 9. | 816-526C | RUBBER DEFLECTOR | | |
| 10. | 816-538C | SIDE RUBBER DEFLECTOR | | |

Skid Shoe Kit

Applies to RCR1884



25895

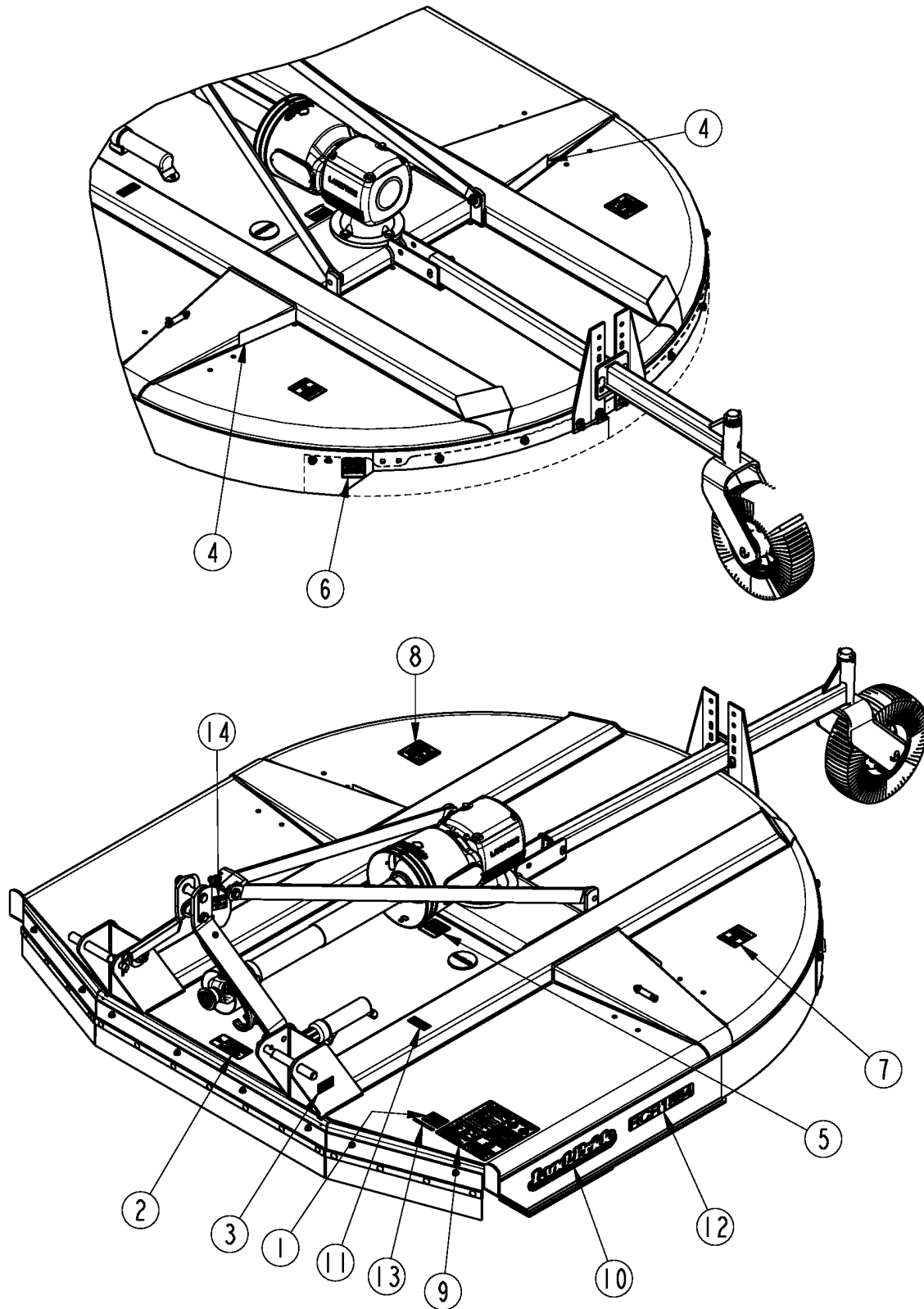
Skid Shoe Kit

Applies to RCR1884

| Ref | Part No. | Part Description | Comments | Revision |
|-----|----------------------|---|--|----------|
| | dwg25895 326-120A | Drawing Image Number RCR18 SKID SHOE KIT | RCR1860 S/N 571874+ RCR1872 S/N 571210+ & RCR1884 S/N 563801+RCF2060 & RCF2072 Accessory Order Thru Parts Department | |
| | | * | | |
| 1. | 326-221D | SKID SHOE RCR18 | | |
| 2. | 802-603C | PLOW 3/8-16X1 GR5 | | |
| 3. | 803-198C | NUT HEX WHIZ 3/8-16 PLT | | |

Decal Placement

Applies to RCR1884



24770

Decal Placement**Applies to RCR1884**

| Ref | Part No. | Part Description | Comments | Revision |
|------------|-----------------|--------------------------------|--------------------------|-----------------|
| | Dwg 24770 | Drawing Image Number | | |
| 1. | 818-130C | DECAL WARNING 540 RPM | | |
| 2. | 818-142C | DECAL DANGER PTO DRIVELINE EN | | |
| 3. | 818-190C | DECAL FLAG | | |
| 4. | 838-614C | DECAL REFLECTOR RED 2X9 | S/N 813017+ | |
| 4. | 818-230C | DECAL RED REFLECTOR | S/N 813016- | |
| 5. | 818-543C | DECAL DANGER PD GUARD MISS SML | | |
| 6. | 818-543C | DECAL DANGER PD GUARD MISS SML | | |
| 7. | 818-556C | DECAL DANGER THROWN OBJ CUTTER | | |
| 8. | 818-555C | DECAL DANGER ROTATE BLADE | | |
| 8. | 818-564C | RPBY 818-555C | Obsolete | |
| 9. | 818-830C | DECAL SAFETY COMBO SUNWEST | | |
| 10. | 818-903C | RPBY 838-965C | Beige Unit | |
| 10. | 838-965C | DECAL LANDPRIDE 16" BROWN/GOLD | Orange, Red & Green Unit | |
| 11. | 838-517C | DECAL QUICK HITCH SYSTEM | | |
| 12. | 838-895C | DECAL RCR1884-GOLD | | |
| 12. | 848-121C | RPBY 838-895C | Obsolete | |
| 13. | 844-031C | DECAL. PROP65 VINYL | | |
| 14. | 858-148C | DECAL PIC--PINCH POINT | S/N 1315597+ | |

Land Pride Touch-up Paints

Applies to RCR1884

No diagram associated with this Parts List

Land Pride Touch-up Paints**Applies to RCR1884**

| Ref | Part No. | Part Description | Comments | Revision |
|------------|-----------------|-------------------------------|----------------------------|-----------------|
| 1. | 821-011C | LP BEIGE SPRAY CAN | Spray can | |
| 1. | 821-011CTU | LP BEIGE TOUCH-UP 5OZ | Touch-up bottle with brush | |
| 1. | 821-011CQT | LP BEIGE QUART | Quart can | |
| 1. | 821-011CGL | LP BEIGE GALLON | Gallon can | |
| 2. | 821-070C | GLOSS BLACK SPRAY CAN | Spray can | |
| 2. | 821-070CTU | GLOSS BLACK TOUCH-UP 5OZ | Touch-up bottle with brush | |
| 2. | 821-070CQT | GLOSS BLACK QUART | Quart can | |
| 2. | 821-070CGL | GLOSS BLACK GALLON | Gallon can | |
| 3. | 821-054C | MED. RED SPRAY TRCK/CTR | Spray can | |
| 3. | 821-054CTU | MED RED TOUCH-UP 5OZ | Touch-up bottle with brush | |
| 3. | 821-054CQT | MED RED QUART | Quart can | |
| 3. | 821-054CGL | MED RED GALLON | Gallon can | |
| 4. | 821-058C | GREEN SPRAY CUTTERS | Spray can | |
| 4. | 821-058CTU | GREEN TOUCH-UP 5OZ | Touch-up bottle with brush | |
| 4. | 821-058CQT | GREEN QUART | Quart can | |
| 4. | 821-058CGL | GREEN GALLON | Gallon can | |
| 5. | 821-066C | ORANGE SPRAY CAN | Spray can | |
| 5. | 821-066CTU | ORANGE TOUCH-UP 5OZ | Touch-up bottle with brush | |
| 5. | 821-066CQT | ORANGE QUART | Quart can | |
| 5. | 821-066CGL | ORANGE GALLON | Gallon can | |
| 6. | 821-067C | BLUE SPRAY CAN | Spray can | |
| 6. | 821-067CTU | BLUE TOUCH-UP 5OZ | Touch-up bottle with brush | |
| 6. | 821-067CQT | BLUE QUART | Quart can | |
| 6. | 821-067CGL | BLUE GALLON | Gallon can | |
| 7. | 821-080C | PAINT ALUMINUM/ZINC SPRAY CAN | Spray can | |
| 7. | 821-080CTU | PAINT ALUMINUM/ZINC TOUCH UP | Touch-up bottle with brush | |
| 7. | 821-080CQT | PAINT ALUMINUM/ZINC QUART | Quart can | |
| 7. | 821-080CGL | PAINT ALUMINUM/ZINC GALLON | Gallon can | |



Part Number Index

The Part Number Index is a numeric index of all part numbers included in this manual. The index shows what page(s) the part is used on.

| Part Number | Page | Part Number | Page | Part Number | Page | Part Number | Page |
|-----------------|--------|-------------|--------|-----------------|------------|-------------|--------------------|
| 0.121.7101.00 | 27 | 312-879H | 11, 13 | 802-192C | 15, 17 | 821-011CQT | 39 |
| 0.132.7106.00 | 27 | 312-891D | 29 | 802-214C | 29 | 821-011CTU | 39 |
| 0.139.7100.00 | 27 | 318-141D | 29 | 802-224C | 15, 19 | 821-054C | 39 |
| 0.139.7101.00 | 21, 27 | 318-337D | 31 | 802-277C | 21 | 821-054CGL | 39 |
| 0.210.0300.00 | 27 | 318-586A | 21 | 802-280C | 11, 13 | 821-054CQT | 39 |
| 0.210.1300.00 | 27 | 318-618D | 29 | 802-314C | 21 | 821-054CTU | 39 |
| 0.210.2000.00 | 27 | 326-019H | 7 | 802-326C | 11, 13 | 821-058C | 39 |
| 0.210.3001.00 | 27 | 326-019H81 | 7 | 802-603C | 35 | 821-058CGL | 39 |
| 0.210.5001.00 | 27 | 326-019H82 | 7 | 803-024C | 11, 13 | 821-058CQT | 39 |
| 0.210.6001.00 | 27 | 326-019H83 | 7 | 803-026C | 11, 13, 17 | 821-058CTU | 39 |
| 0.252.7525.00 | 27 | 326-033K | 33 | 803-037C | 7, 29 | 821-066C | 39 |
| 0.709.7500.00 | 27 | 326-034K | 31 | 803-077C | 17 | 821-066CGL | 39 |
| 0.712.7500.00 | 27 | 326-035H | 11 | 803-148C | 17 | 821-066CQT | 39 |
| 04-011 | 27 | 326-095S | 17, 19 | 803-169C | 11, 13 | 821-066CTU | 39 |
| 044321 | 23 | 326-120A | 35 | 803-170C | 21 | 821-067C | 39 |
| 123.350.175.11 | 23 | 326-188D | 15 | 803-177C | 9 | 821-067CGL | 39 |
| 141.025.363.1 | 23, 25 | 326-221D | 35 | 803-180C | 15 | 821-067CQT | 39 |
| 142.250.3707521 | 23, 25 | 326-294D | 11 | 803-181C | 15, 17 | 821-067CTU | 39 |
| 146.252.011.1 | 23 | 326-295D | 11 | 803-198C | 31, 33, 35 | 821-070C | 39 |
| 146.254.015.11 | 25 | 326-296D | 11 | 803-255C | 15, 19 | 821-070CGL | 39 |
| 151.015.011 | 23 | 326-297D | 11 | 803-263C | 15, 17 | 821-070CQT | 39 |
| 151.015.011.1 | 23 | 326-317D | 15 | 803-289C | 11, 13 | 821-070CTU | 39 |
| 151.015.012.1 | 23 | 326-319D | 15 | 803-299C | 21 | 821-080C | 39 |
| 151.015.038.1 | 23, 25 | 326-320D | 15 | 803-308C | 11, 13 | 821-080CGL | 39 |
| 151.016.486 | 25 | 326-321D | 33 | 804-007C | 15, 19 | 821-080CQT | 39 |
| 151.018.018.1 | 23 | 326-322D | 33 | 804-009C | 21 | 821-080CTU | 39 |
| 151.019.011.1 | 25 | 326-323D | 31 | 804-010C | 21 | 822-091C | 11, 13 |
| 152.150.2140710 | 23 | 326-324D | 29 | 804-015C | 11, 13 | 822-092C | 11, 13 |
| 153.150.114 | 23 | 326-325D | 29 | 804-016C | 11, 13 | 826-376C | 21, 27 |
| 165.000.502 | 23, 25 | 326-326D | 29 | 804-019C | 17 | 826-490C | 21, 27 |
| 165.000.548 | 25 | 326-327D | 7 | 804-021C | 11, 13 | 826-510C | 21, 23, 25 |
| 165.000.549 | 23 | 326-328D | 15 | 804-024C | 15 | 826-648C | 21 |
| 165.000.628 | 23, 25 | 326-329D | 15 | 804-036C | 9 | 827-036C | 11, 13 |
| 180.014.022 | 25 | 326-360D | 33 | 804-039C | 15 | 827-071C | 15, 17 |
| 180.014.240 | 25 | 326-361D | 33 | 804-066C | 11, 13 | 837-062C | 9 |
| 180.015.130 | 23, 25 | 326-362D | 31 | 804-147C | 21 | 837-063C | 9 |
| 180.015.288 | 23, 25 | 326-365D | 13 | 804-156C | 15 | 837-101C | 21 |
| 180.015.289 | 23, 25 | 326-366D | 13 | 805-088C | 17 | 838-517C | 37 |
| 180.016.483 | 25 | 326-389H | 17 | 805-103C | 15 | 838-614C | 37 |
| 180.016.487 | 25 | 326-390H | 17 | 805-109C | 15 | 838-895C | 37 |
| 180.019.014 | 23, 25 | 326-546D | 17 | 805-124C | 17 | 838-965C | 37 |
| 180.019.017 | 23 | 326-574D | 17 | 805-255C | 11, 13 | 840-273C | 21 |
| 180.019.018 | 23 | 327-143S | 9, 17 | 805-388C | 15 | 842-243C | 21 |
| 180.019.019 | 23, 25 | 327-781D | 17 | 805-485C | 17 | 844-031C | 37 |
| 180.019.115 | 25 | 327-782D | 17 | 807-350C | 9 | 848-121C | 37 |
| 180.019.116.1 | 23, 25 | 8.0.9.00143 | 27 | 812-500C | 17 | 858-148C | 37 |
| 180.019.340 | 25 | 8.1.1.00501 | 27 | 8123.350.175.11 | 25 | 890-400C | 29, 31 |
| 190.000.016 | 23 | 8.2.2.00555 | 21, 27 | 8123.450.326.11 | 23, 25 | 890-961C | 11, 13 |
| 190.000.078 | 25 | 8.4.7.00146 | 21, 27 | 814-058C | 11, 13 | Dwg 21186 | 27 |
| 190.000.098 | 23, 25 | 8.4.7.02265 | 27 | 814-161C | 11, 13 | Dwg 24763 | 21 |
| 190.000.099 | 23, 25 | 8.5.1.00533 | 27 | 815-092C | 11, 13 | Dwg 24766 | 29 |
| 190.000.394 | 23 | 8.5.2.00332 | 27 | 815-230C | 11, 13 | Dwg 24770 | 37 |
| 190.000.451 | 25 | 8.6.6.00201 | 27 | 816-286C | 11, 13 | Dwg 37985 | 17 |
| 190.000.856 | 25 | 8.7.1.01107 | 27 | 816-504C | 15, 19 | Dwg 39163 | 19 |
| 312-075D | 21 | 8.7.3.00331 | 27 | 816-526C | 33 | Dwg 72257 | 9 |
| 312-082D | 21 | 800-001C | 11, 13 | 816-538C | 33 | Dwg 72993 | 25 |
| 312-089D | 21 | 800-080C | 11, 13 | 818-130C | 37 | dwg24761 | 7 |
| 312-388H | 21 | 802-010C | 9 | 818-142C | 37 | dwg24762 | 15 |
| 312-616D | 13 | 802-015C | 31, 33 | 818-190C | 37 | dwg24764 | 31 |
| 312-629D | 11 | 802-041C | 11, 13 | 818-230C | 37 | dwg24765 | 33 |
| 312-737D | 31 | 802-053C | 15, 17 | 818-543C | 37 | dwg24768 | 13 |
| 312-808D | 21 | 802-055C | 17 | 818-555C | 37 | dwg24769 | 11 |
| 312-866A | 33 | 802-064C | 21 | 818-556C | 37 | dwg24771 | 23 |
| 312-867K | 33 | 802-065C | 21 | 818-564C | 37 | dwg25895 | 35 |
| 312-869A | 31 | 802-091C | 11 | 818-830C | 37 | N/A | 11, 13, 21, 23, 25 |
| 312-870K | 31 | 802-106C | 11, 13 | 818-903C | 37 | | |
| 312-872A | 29 | 802-135C | 11, 13 | 8180.014.240 | 23 | | |
| 312-873K | 29 | 802-138C | 9 | 820-138C | 21 | | |
| 312-874K | 29 | 802-153C | 11, 13 | 821-011C | 39 | | |
| 312-875K | 29 | 802-183C | 7 | 821-011CGL | 39 | | |

This Page Intentionally Left Blank



Great Plains Manufacturing, Inc.

Corporate Office: P.O. Box 5060
Salina, Kansas 67402-5060 USA

www.landpride.com
