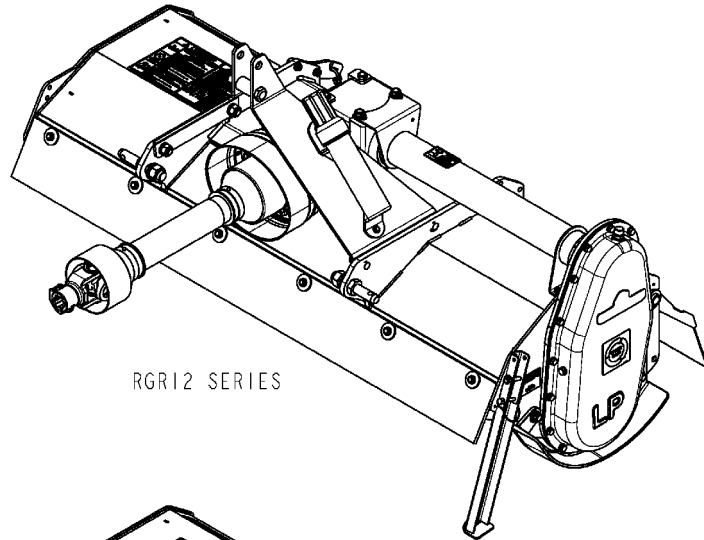
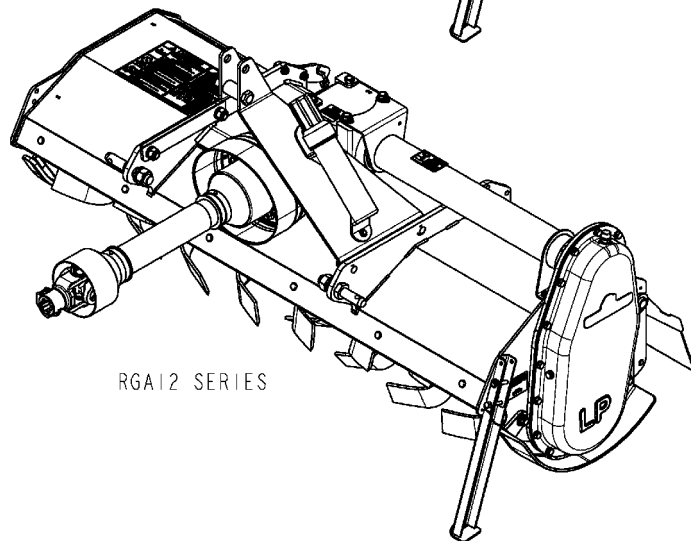


Rotary Tillers

RGR12 Series & RGA12 Series



RGR12 SERIES



RGA12 SERIES

70367

311-948P Parts Manual



Read the Operator's Manual entirely. When you see this symbol, the subsequent instructions and warnings are serious - follow without exception. Your life and the lives of others depend on it!

© Copyright 2019 Printed 07/31/19

Cover photo may show optional equipment not supplied with standard unit.





Table of Contents

Section 1: Introduction.....	4
Using This Manual.....	4
Manual Replacement Information.....	4
Manual Revisions.....	4
Touch-up Paint.....	4
Hardware Legend.....	5
Replacement Hardware.....	5
Serial Numbers.....	5
Part Number Service Coding.....	5
Section 2: Frame.....	6
Deflectors & Skid Shoes.....	6
Frame & Hitch.....	10
Manual Tube.....	14
Section 3: Rotor.....	16
Rotor Assembly.....	16
Section 4 : Drive.....	18
Drive Components.....	18
Driveline W/ Slip Clutch (311-753A & 311-884A).....	20
Gearbox (826-853C) & (311-967S).....	22
Tiller Gear Drive (311-919S).....	24
Section 5: Decals.....	26
Decal Placement.....	26
Land Pride Touch-up Paints.....	28
Part Number Index.....	30

© Copyright 2019. All rights reserved.

Land Pride provides this publication “as is” without warranty of any kind, either expressed or implied. While every precaution has been taken in the preparation of this manual, Land Pride assumes no responsibility for errors or omissions. Neither is any liability assumed for damages resulting from the use of the information contained herein. Land Pride reserves the right to revise and improve its products as it sees fit. This publication describes the state of this product at the time of its publication, and may not reflect the product in the future. The illustrations in this manual are not intended for safe and proper assembly or disassembly of equipment. The illustrations are intended for ordering parts only.

Land Pride is registered trademark.

All other brands and product names are trademarks or registered trademarks of their respective holders.

Printed in the United States of America.



Alphabetized Table of Contents

D	
Decal Placement.....	26
Deflectors & Skid Shoes.....	6
Drive Components.....	18
Driveline W/ Slip Clutch (311-753A & 311-884A).....	20
F	
Frame & Hitch.....	10
G	
Gearbox (826-853C) & (311-967S).....	22
L	
Land Pride Touch-up Paints.....	28
M	
Manual Tube.....	14
R	
Rotor Assembly.....	16
T	
Tiller Gear Drive (311-919S).....	24

General Information

Using This Manual

This manual is divided into sections. The first section contains General Information. The remaining sections divide the machine into segments (i.e. Frames, Drives, Hydraulics, etc.) which illustrate and list all parts. A Parts Number Index is located at the back of the book.

The Land Pride parts in this manual are specially designed for this machine and should be replaced with Land Pride parts only.

The information in this manual is current at time of printing. Some parts may change to assure top performance.

Right-hand and left-hand as used in this manual are determined by facing the direction the machine will travel while in use.

Below is an example of two facing pages from a parts manual. Familiarize yourself with the type of information contained on these pages.

Manual Replacement Information

Replacement manuals are available. Refer to our website at www.landpride.com or e-mail us at lit@landpride.com for additional information. Our website continues to provide the most up-to-date manuals available.

Touch-up Paint

Repaint parts where paint is worn or scratched to prevent rust. Aerosol cans and touch-up bottles with brush applicator are available through your local dealer. Also available are quart and gallon size paints. Add QT or GL to end of the Aerosol P/N.

Land Pride color descriptions and part numbers are listed on the "Land Pride Touch-up Paints" page in the "Decals" section of this book. Color options vary by product.



General Information

Hardware Legend

AR	As Required
BLADE	Blade Bolt
C	Cap Screw
CP	Cotter Pin
CPHSSS	Cup Point Hex Socket Set Screw
CPSHSS	Cup Point Square Head Set Screw
CPSQHSS	Cup Point Square Head Set Screw
CRFCHMS3	Cross Recess Flat Countersunk Head Machine Screw
CRPHMS	Cross Recess Pan Head Machine Screw
CRPHTF	Cross Recess Pan Head Thread Forming
CRRHMS	Cross Recess Round Head Machine Screw
CRTHMS	Cross Recess Truss Head Machine Screw
CSNB	Countersunk Square Neck Bolt
FHMS	Flat Head Machine Screw
FTC	Full Thread Cap Screw
H	Hex Nut
HCLN	Hex Center Lock Nut
HFLCS	Hex Flange Lock Cap Screw
HFS	Hex Flange Screw
HFSLN	Hex Flange Serrated Lock Nut
HFSS	Hex Flange Serrated Screw
HHCS	Hex Head Cap Screw or Metric Bolt
HSBHCS	Hex Socket Button Head Cap Screw
HSFCHCS	Hex Socket Flat Countersunk Head Cap Screw
HSHCS	Hex Socket Head Cap Screw
HSSS	Hex Socket Head Screw
HTLN	Hex Top Lock Nut
HWHCS	Hex Washer Head Cap Screw

HWHMS	Hex Washer Head Machine Screw
HXBHCS	Hex Socket Button Head Cap Screw
J	Hex Jam Nut
JIC	37 Degree Tapered Thread
L	Helical Spring Lock Washer
LUG	Lug Bolt
NFC	National Fine Cap Screw
NPSM	National Pipe Straight Mechanical
NPTF	National Pipe Taper Fuel
P	Wide Plain Washer
PHMS	Pan Head Machine Screw
PLOW	Plow Bolt
RHMS	Round Head Machine Screw
RHSNB	Round Head Square Neck Bolt
SCREW LEVELING	Leveling Screw
SCREW THUMB	Thumb Screw
SCREW WELD	Weld Screw
SFCHMS	Slotted Flat Countersunk Head Machine Screw
SFHMS	Slotted Fillister Head Machine Screw
SP	Special
SP SCREW	Special Screw
SQHSS	Square Head Set Screw
SRHMS	Slotted Round Head Machine Screw
SSS	Socket Set Screw
STCS	Self Tapping Cap Screw
STHMS	Slotted Truss Head Machine Screw
WHEEL	Wheel Studs and Hub Long Bolts
WING	Wing Bolt

Replacement Hardware

The **Hardware Legend** above lists hardware abbreviations used in the parts list. All bolts and nuts are Grade 5 unless otherwise noted. The use of improper grades of hardware can result in personal injury, damage to equipment, or loss of property.

Colored Replacement Parts

Land Pride offers replacement parts in factory standard colors and also on select models in Green, Orange, Red and Blue. Because of the variety of colors available, special attention must be given to the part number to prevent ordering the wrong replacement part.

A suffix number corresponding to one of the colors below must be added at the end of Land Pride's part number when ordering a replacement part with that color.

81 Green 83 Red
82 Orange 84 Blue

For example, if you are ordering a replacement part with part number 555-555C and the part you need is red, then add the suffix 83 to the end of the number to make the part number read 555-555C83. Parts ordered without a suffix number will be supplied in factory standard colors.

Black Replacement Parts

Some parts are factory standard black and some must be special ordered black. If your part is special ordered black, a second part number with the additional suffix number 85 on the end will be available. In this situation you must order that part with the suffix number for it to be black. Parts that are factory standard black will not have the suffix number.

Part Number Service Coding

Within the parts list some part numbers are coded for revisions and interchangeability. See notations in revision column.

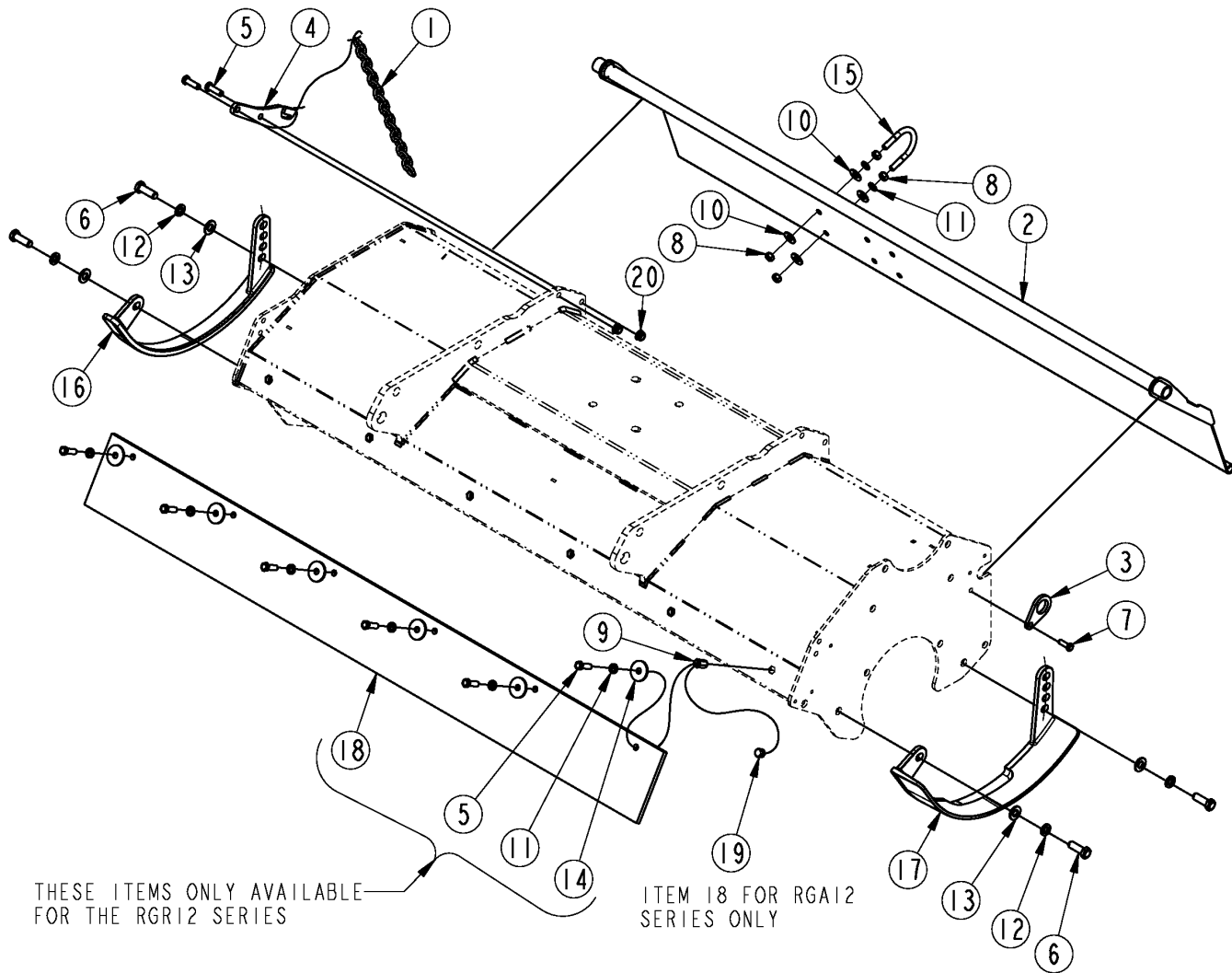
Serial Numbers

Always use the serial and model number when ordering parts. Refer to the Operator's Manual for serial number plate location.

- (S/N 20001+) Includes serial numbers 20001 and above (to the latest number)
- (S/N 10001 to 20000) Includes serial numbers between and including 10001 and 20000
- (S/N 10000-) Includes serial numbers 10000 and below (to the earliest number)

Deflectors & Skid Shoes

Applies to RGA1242, RGA1250, RGA1258, RGA1266, RGA1274, RGA1282, RGR1242, RGR1250, RGR1258, RGR1266, RGR1274, RGR1282



70356

Deflectors & Skid Shoes

Applies to RGA1242, RGA1250, RGA1258, RGA1266, RGA1274, RGA1282, RGR1242, RGR1250, RGR1258, RGR1266, RGR1274, RGR1282

Ref	Part No.	Part Description	Comments	Revision
	Dwg 70356	Image No.		
1.	311-077D	REAR DEFLECTOR CHAIN 10/15		
2.	311-430H	TAILGATE 42" WLDMNT	RGR1242 & RGA1242 (Beige)	
2.	311-430H81	TAILGATE WELDMENT GREEN	Green	
2.	311-430H82	TAILGATE WELDMENT ORANGE	Orange	
2.	311-430H83	TAILGATE WELDMENT RED	Red	
2.	311-445H	TAILGATE 50" WLDMNT	RGR1250 & RGA1250 (Beige)	
2.	311-445H81	TAILGATE WELDMENT GREEN	Green	
2.	311-445H82	TAILGATE WELDMENT ORANGE	Orange	
2.	311-445H83	TAILGATE WELDMENT RED	Red	
2.	311-449H	TAILGATE 58" WLDMNT	RGR1258 & RGA1258 (Beige)	
2.	311-449H81	TAILGATE WELDMENT GREEN	Green	
2.	311-449H82	TAILGATE WELDMENT ORANGE	Orange	
2.	311-449H83	TAILGATE WELDMENT RED	Red	
2.	311-699H	TAILGATE 66" WLDMNT	RGR1266 & RGA1266 (Beige)	
2.	311-699H81	WLDMNT, GREEN 66" TAILGATE	Green	
2.	311-699H82	WLDMNT, ORANGE 66" TAILGATE	Orange	
2.	311-699H83	WLDMNT, RED 66" TAILGATE	Red	
2.	311-700H	TAILGATE 74" WLDMNT	RGR1274 & RGA1274 (Beige)	
2.	311-700H81	WLDMNT, GREEN 74" TAILGATE	Green	
2.	311-700H82	WLDMNT, ORANGE 74" TAILGATE	Orange	
2.	311-700H83	WLDMNT, RED 74" TAILGATE	Red	
2.	311-892H	TAILGATE 82" WLDMNT	RGR1282 & RGA1282 (Beige)	
2.	311-892H81	WLD, 12 SER. 82"TAILGATE GREEN	Green	
2.	311-892H82	WLD,12 SER. 82"TAILGATE ORANGE	Orange	
2.	311-892H83	WLD, 12 SER. 82"TAILGATE RED	Red	
3.	311-663D	TAILGATE LOCK 10 & 15 SERIES		
4.	311-887D	CHAIN RETAINER BRACKET	Beige	
4.	311-887D81	CHAIN RETAINER BRKT GREEN	Green	
4.	311-887D82	CHAIN RETAINER BRKT ORANGE	Orange	
4.	311-887D83	CHAIN RETAINER BRKT RED	Red	
5.	802-079C	HHCS 3/8-16X1 1/4 GR5		
6.	802-091C	HHCS 1/2-13X1 1/2 GR5		
7.	802-738C	HHCS 5/16-18X1 GR5 ZNYCR		
8.	803-014C	NUT HEX 3/8-16 PLT		
9.	803-501C	NUT - INSERT 3/8-16 HEX	Hex nut insert RGR1242 & RGR1250 (S/N 1329631+) RGR1258 (S/N 1319892+) RGR1266 (S/N 1328015+) RGR1274 (S/N 1316862+) RGR1282 (S/N 1317174+)	
9.	803-382C	NUTZERT 3/8-16 AKS4-616-150	Round nut insert RGR1242 & RGR1250 (S/N 1329630-) RGR1258 (S/N 1319891-) RGR1266 (S/N 1328014-) RGR1274 (S/N 1316861-) RGR1282 (S/N 1317173-)	
10.	804-011C	WASHER FLAT 3/8 USS PLT		
11.	804-013C	WASHER LOCK SPRING 3/8 PLT		
12.	804-015C	WASHER LOCK SPRING 1/2 PLT		
13.	804-016C	WASHER FLAT 1/2 SAE PLT		
14.	804-273C	WSHR FENDER HVY 1.5X.41X.12PLT		
15.	806-049C	U-BOLT 3/8-16 X2 1/32X2 5/8SPL		
16.	812-530C	CAST SKID RH		
17.	812-531C	CAST SKID LH		
18.	816-463C	FRONT DEFLECTOR	RGR1242	
18.	816-472C	FRONT DEFLECTOR	RGR1250	
18.	816-462C	FRONT DEFLECTOR	RGR1258	
18.	816-659C	DEFLECTOR, 66" RTR FRONT	RGR1266	

Deflectors & Skid Shoes (continued)

Applies to RGA1242, RGA1250, RGA1258, RGA1266, RGA1274, RGA1282, RGR1242, RGR1250, RGR1258, RGR1266, RGR1274, RGR1282

Ref	Part No.	Part Description	Comments	Revision
18.	816-660C	DEFLECTOR, 74" RTR FRONT	RGR1274	
18.	816-849C	DEFLECTOR, 82" RTR FRONT	RGR1282	
19.	837-132C	CAPLUG - CCF-5/8-14-20 BLACK		
20.	803-209C	NUT FLANGE LOCK 3/8-16 PLT		

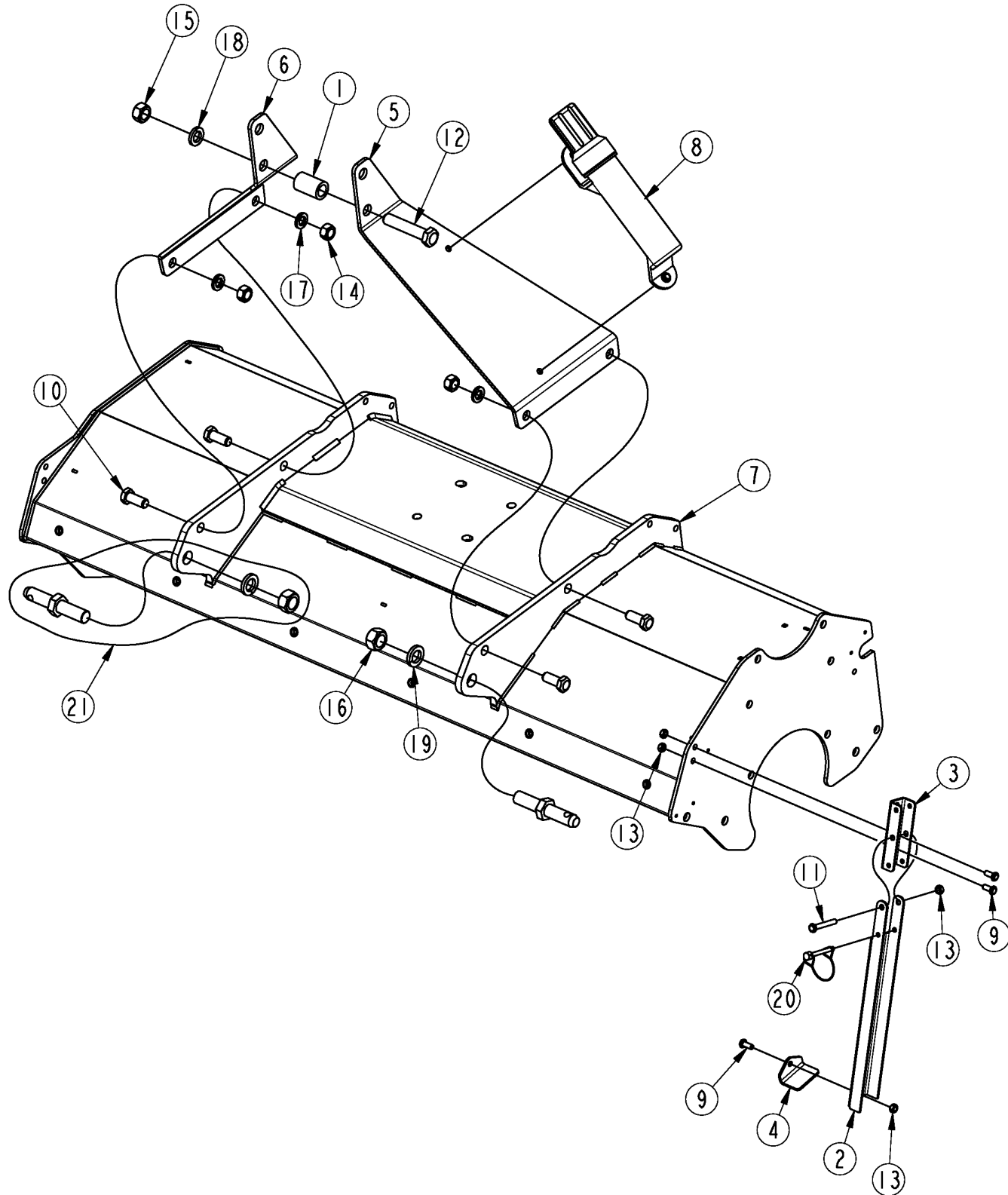
Deflectors & Skid Shoes (continued)

Applies to RGA1242, RGA1250, RGA1258, RGA1266, RGA1274, RGA1282, RGR1242, RGR1250, RGR1258, RGR1266, RGR1274, RGR1282

This Page Intentionally Left Blank

Frame & Hitch

Applies to RGA1242, RGA1250, RGA1258, RGA1266, RGA1274, RGA1282, RGR1242, RGR1250, RGR1258, RGR1266, RGR1274, RGR1282



70357

Frame & Hitch

Applies to RGA1242, RGA1250, RGA1258, RGA1266, RGA1274, RGA1282, RGR1242, RGR1250, RGR1258, RGR1266, RGR1274, RGR1282

Ref	Part No.	Part Description	Comments	Revision
	Dwg 70357	Image No.		
1.	308-400D	SPACER 1 1/4OD X 13/16ID X 2LG		
2.	311-784D	TILLER STAND	Beige	
2.	311-784D81	TILLER STAND GREEN	Green	
2.	311-784D82	TILLER STAND ORANGE	Orange	
2.	311-784D83	TILLER STAND RED	Red	
3.	311-785D	BRACKET, STAND	Beige	
3.	311-785D81	BRACKET, STAND GREEN	Green	
3.	311-785D82	BRACKET, STAND ORANGE	Orange	
3.	311-785D83	BRACKET, STAND RED	Red	
4.	311-786D	BASE, STAND	Beige	
4.	311-786D81	BASE, STAND GREEN	Green	
4.	311-786D82	BASE, STAND ORANGE	Orange	
4.	311-786D83	BASE, STAND RED	Red	
5.	311-869D	3PT TOP LH	Beige	
5.	311-869D81	3PT TOP LH GREEN	Green	
5.	311-869D82	3PT TOP LH ORANGE	Orange	
5.	311-869D83	3PT TOP LH RED	Red	
6.	311-870D	3PT TOP RH	Beige	
6.	311-870D81	3PT TOP RH GREEN	Green	
6.	311-870D82	3PT TOP RH ORANGE	Orange	
6.	311-870D83	3PT TOP RH RED	Red	
7.	311-913H	FRAME WLDMT, 1242	RGR1242 & RGA1242 (Beige)	
7.	311-913H81	FRAME WLDMT, 1242 GREEN	Green	
7.	311-913H82	FRAME WLDMT, 1242 ORANGE	Orange	
7.	311-913H83	FRAME WLDMT, 1242 RED	Red	
7.	311-914H	FRAME WLDMT, 1250	RGR1250 & RGA1250 (Beige)	
7.	311-914H81	FRAME WLDMT, 1250 GREEN	Green	
7.	311-914H82	FRAME WLDMT, 1250 ORANGE	Orange	
7.	311-914H83	FRAME WLDMT, 1250 RED	Red	
7.	311-915H	FRAME WLDMT, 1258	RGR1258 & RGA1258 (Beige)	
7.	311-915H81	FRAME WLDMT, 1258 GREEN	Green	
7.	311-915H82	FRAME WLDMT, 1258 ORANGE	Orange	
7.	311-915H83	FRAME WLDMT, 1258 RED	Red	
7.	311-916H	FRAME WLDMT, 1266	RGR1266 & RGA1266 (Beige)	
7.	311-916H81	FRAME WLDMT, 1266 GREEN	Green	
7.	311-916H82	FRAME WLDMT, 1266 ORANGE	Orange	
7.	311-916H83	FRAME WLDMT, 1266 RED	Red	
7.	311-917H	FRAME WLDMT, 1274	RGR1274 & RGA1274 (Beige)	
7.	311-917H81	FRAME WLDMT, 1274 GREEN	Green	
7.	311-917H82	FRAME WLDMT, 1274 ORANGE	Orange	
7.	311-917H83	FRAME WLDMT, 1274 RED	Red	
7.	311-918H	FRAME WLDMT, 1282	RGR1282 & RGA1282 (Beige)	
7.	311-918H81	FRAME WLDMT, 1282 GREEN	Green	
7.	311-918H82	FRAME WLDMT, 1282 ORANGE	Orange	
7.	311-918H83	FRAME WLDMT, 1282 RED	Red	
8.	326-095S	MANUAL CONTAINER KIT, 1 1/4		
9.	802-007C	HHCS 5/16-18X3/4 GR5		
10.	802-051C	HHCS 5/8-11X1 1/2 GR5		
11.	802-138C	HHCS 5/16-18X2 1/4 GR5		
12.	802-204C	HHCS 3/4-10X3 3/4 GR5		
13.	803-011C	NUT LOCK 5/16-18 PLT		
14.	803-021C	NUT HEX 5/8-11 PLT		
15.	803-027C	NUT HEX 3/4-10 PLT		
16.	803-149C	NUT HEX 7/8-14 PLT		
17.	804-022C	WASHER LOCK SPRING 5/8 PLT		
18.	804-023C	WASHER LOCK SPRING 3/4 PLT		
19.	804-037C	WASHER LOCK SPRING 7/8 PLT		

Frame & Hitch (continued)

Applies to RGA1242, RGA1250, RGA1258, RGA1266, RGA1274, RGA1282, RGR1242, RGR1250, RGR1258, RGR1266, RGR1274, RGR1282

Ref	Part No.	Part Description	Comments	Revision
20.	805-065C	PIN WIRE RETAINING 1/4 X 1 3/4		
21.	805-111C	PIN HTCH C1 7/8-14 THD W/N		

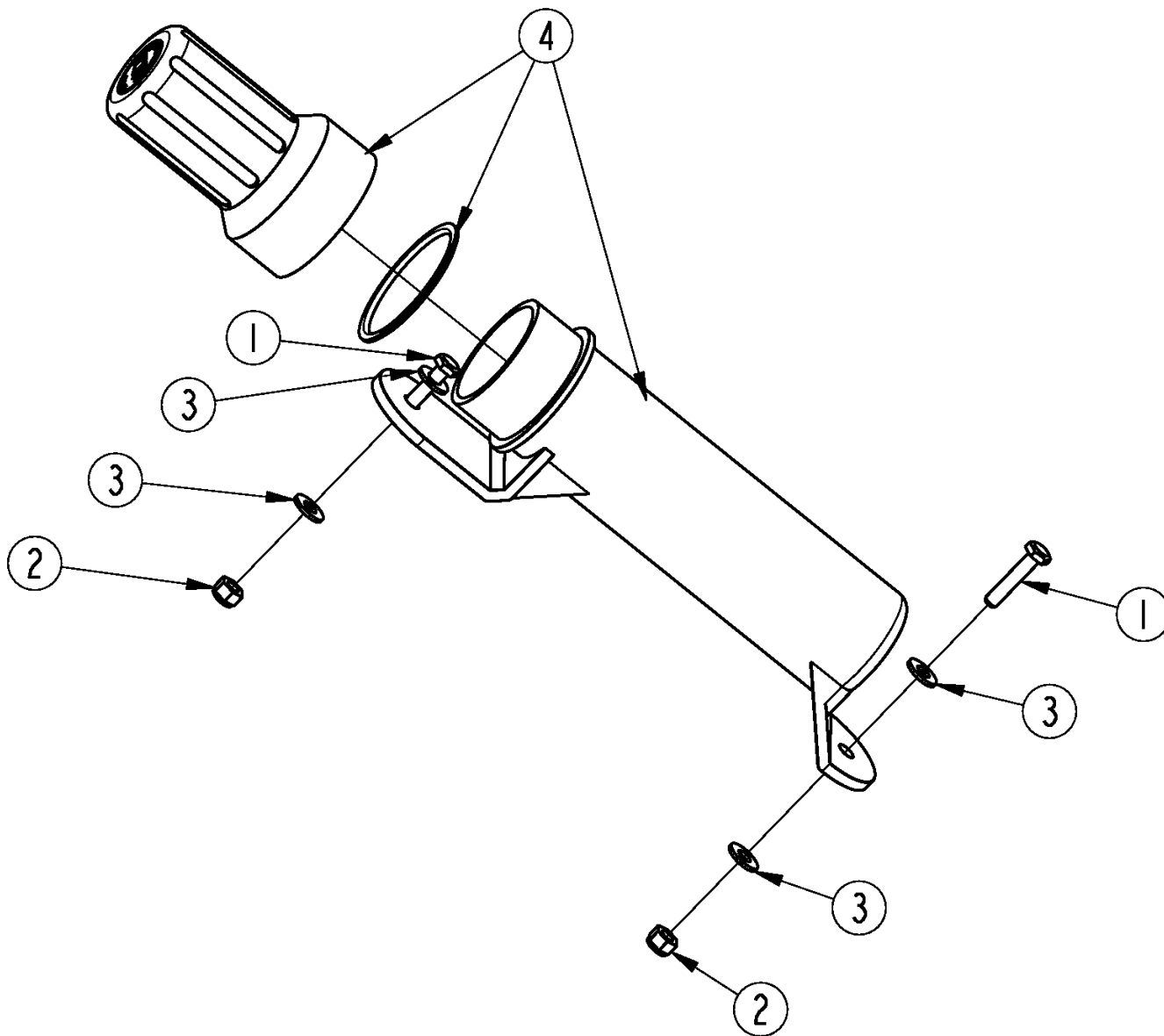
Frame & Hitch (continued)

Applies to RGA1242, RGA1250, RGA1258, RGA1266, RGA1274, RGA1282, RGR1242, RGR1250, RGR1258, RGR1266, RGR1274, RGR1282

This Page Intentionally Left Blank

Manual Tube

Applies to RGA1242, RGA1250, RGA1258, RGA1266, RGA1274, RGA1282, RGR1242, RGR1250, RGR1258, RGR1266, RGR1274, RGR1282



39163

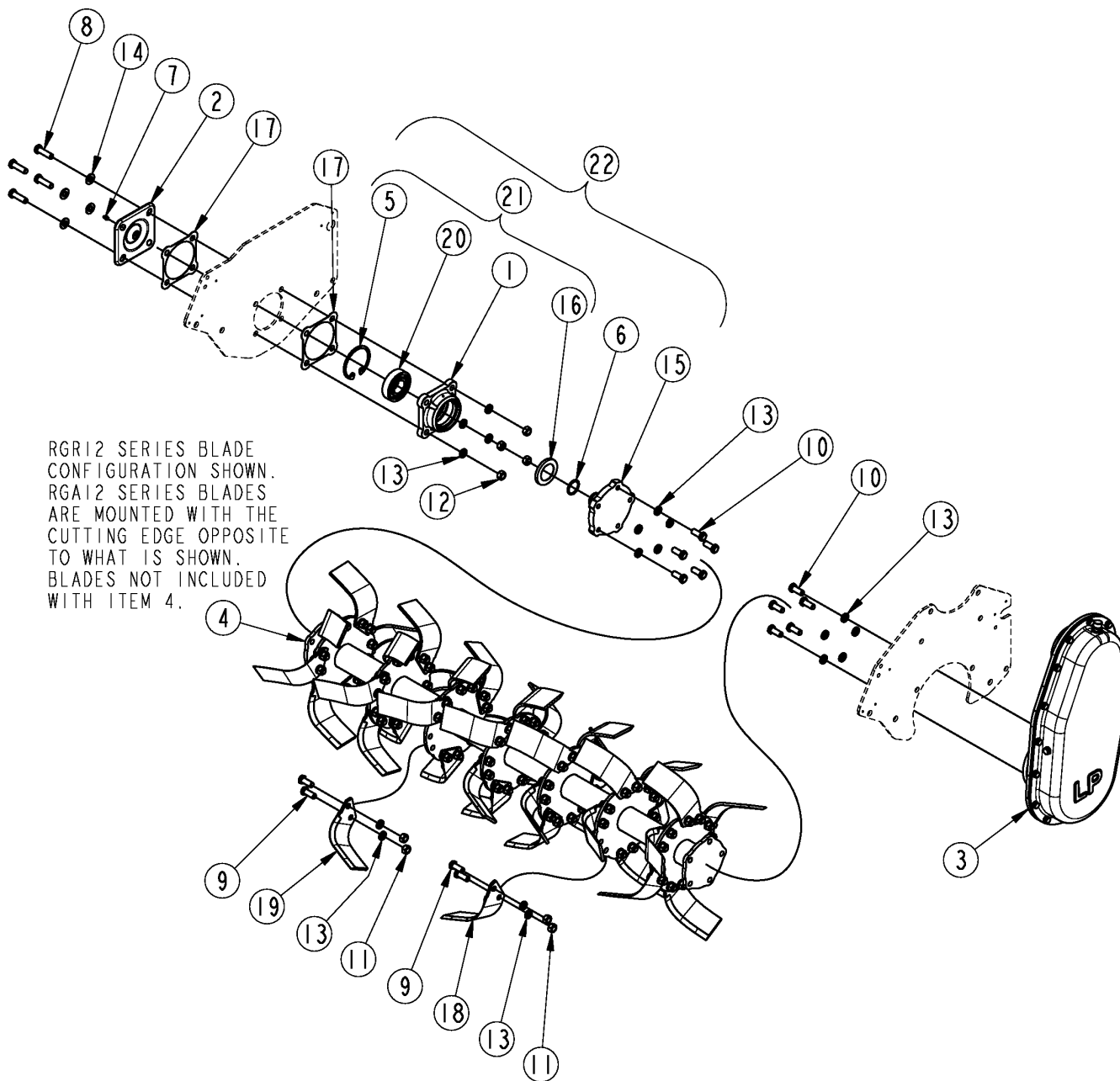
Manual Tube

Applies to RGA1242, RGA1250, RGA1258, RGA1266, RGA1274, RGA1282, RGR1242, RGR1250, RGR1258, RGR1266, RGR1274, RGR1282

Ref	Part No.	Part Description	Comments	Revision
	Dwg 39163	Image No.		
	326-095S	MANUAL CONTAINER KIT, 1 1/4 *		
1.	802-224C	HHCS 1/4-20X1 1/4 GR5		
2.	803-255C	NUT HEX NYLOCK 1/4-20		
3.	804-007C	WASHER FLAT 1/4 SAE PLT		
4.	816-504C	MANUAL STORAGE CONTAINER		

Rotor Assembly

Applies to RGA1242, RGA1250, RGA1258, RGA1266, RGA1274, RGA1282, RGR1242, RGR1250, RGR1258, RGR1266, RGR1274, RGR1282



70359

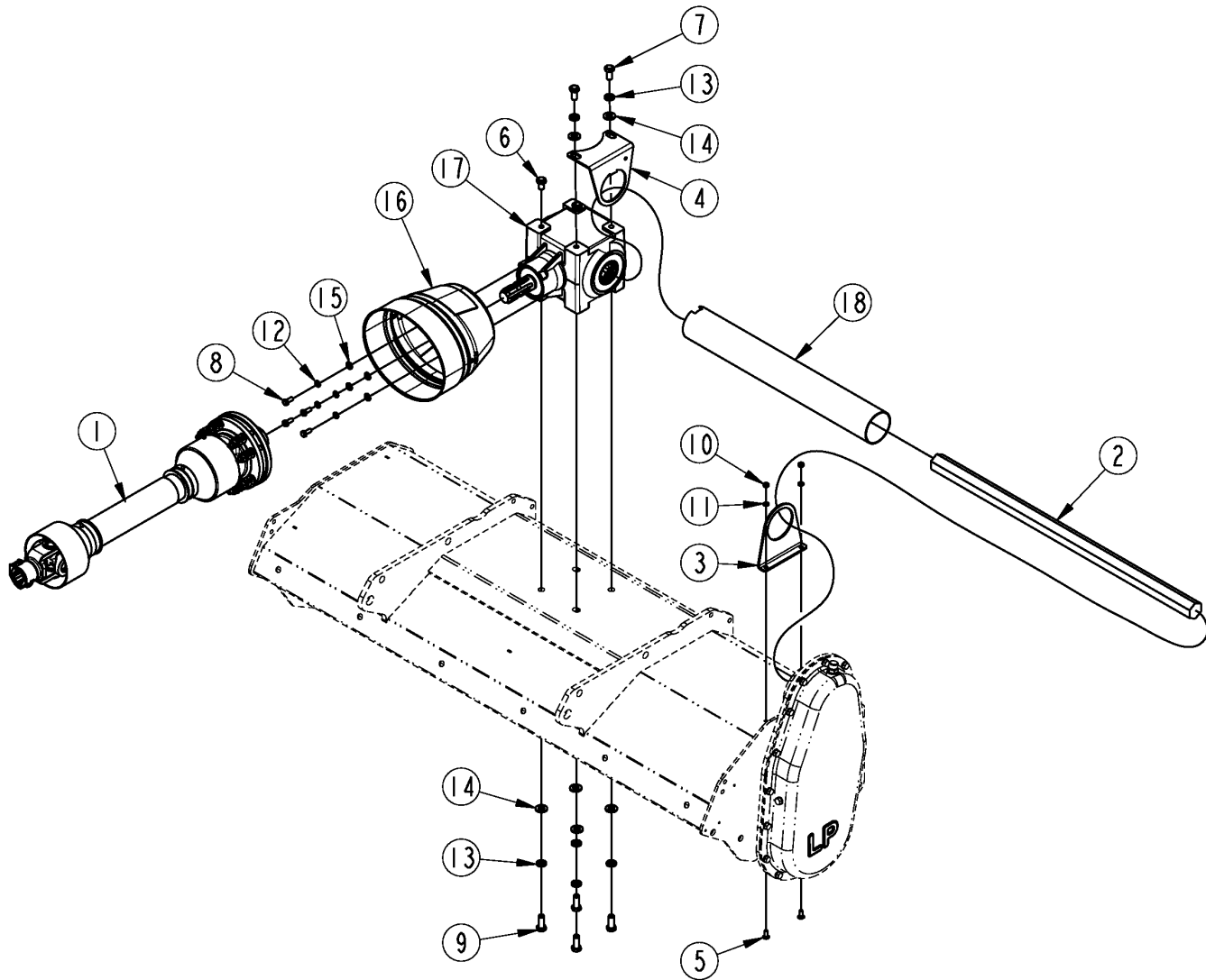
Rotor Assembly

Applies to RGA1242, RGA1250, RGA1258, RGA1266, RGA1274, RGA1282, RGR1242, RGR1250, RGR1258, RGR1266, RGR1274, RGR1282

Ref	Part No.	Part Description	Comments	Revision
	Dwg 70359	Image No.		
1.	822-255C	HSG, 1.37ID X 4 BOLT,1.75 SEAL		
2.	311-205D	COVER NON-DRV LWR		
3.	311-919S	GEAR DRIVE W/STMP CVR COMPLETE		
4.	336-008H	ROTOR SHAFT WLDMNT 42	S/N _____ + RGR1242 & RGA1242	
4.	311-927H	RPBY 336-008H	S/N _____ - (Obsolete) RGR1242 & RGA1242	
4.	336-009H	ROTOR SHAFT WLDMNT 50	S/N _____ + RGR1250 & RGA1250	
4.	311-928H	RPBY 336-009H	S/N _____ - (Obsolete) RGR1250 & RGA1250	
4.	336-010H	ROTOR SHAFT WLDMNT 58	S/N _____ + RGR1258 & RGA1258	
4.	311-929H	RPBY 336-010H	S/N _____ - (Obsolete) RGR1258 & RGA1258	
4.	336-011H	ROTOR SHAFT WLDMNT 66	S/N _____ + RGR1266 & RGA1266	
4.	311-930H	RPBY 336-011H	S/N _____ - (Obsolete) RGR1266 & RGA1266	
4.	336-012H	ROTOR SHAFT WLDMNT 74	S/N _____ + RGR1274 & RGA1274	
4.	311-931H	RPBY 336-012H	S/N _____ - (Obsolete) RGR1274 & RGA1274	
4.	336-013H	ROTOR SHAFT WLDMNT 82	S/N _____ + RGR1282 & RGA1282	
4.	311-932H	RPBY 336-013H	S/N _____ - (Obsolete) RGR1282 & RGA1282	
5.	800-053C	SNAP RING INT3.523OD N5000-315		
6.	800-079C	SNAP RING EXT 1 3/8 5100-137		
7.	800-080C	GREASE ZERK 1/4-28 THD FORMING		
8.	802-082C	HHCS 1/2-13X1 3/4 GR5		
9.	802-326C	HHCS 1/2-20X1 1/4 GR5		
10.	802-580C	HHCS 1/2-13X1 1/4 GR8		
11.	803-018C	NUT HEX 1/2-20 PLT		
12.	803-020C	NUT HEX 1/2-13 PLT		
13.	804-015C	WASHER LOCK SPRING 1/2 PLT		
14.	804-094C	WASHER FLAT 1/2 HARD ASTM F436		
15.	815-131C	NONDRIVE STUB 20 SERIES TILLER		
16.	816-068C	SEAL 1.75 X 2.75 X .313		
17.	816-070C	GASKET HSG 10/15 TILLER		
18.	820-329C	TILLER BLADE 05 & 12 SERIES LH	42"= qty 15, 50"= qty 18, 58"= qty 21, 66"=qty 24, 74"= qty 27, 82"= qty 30	
19.	820-330C	TILLER BLADE 05 & 12 SERIES RH	42"= qty 15, 50"= qty 18, 58"= qty 21, 66"=qty 24, 74"= qty 27, 82"= qty 30	
20.	822-082C	BRG BALL 1.37IDX3.14ODX.82 307		
21.	822-255C	HSG, 1.37ID X 4 BOLT,1.75 SEAL		
22.	311-357K	HSG NON-DRV W/STUB ASY		

Drive Components

Applies to RGA1242, RGA1250, RGA1258, RGA1266, RGA1274, RGA1282, RGR1242, RGR1250, RGR1258, RGR1266, RGR1274, RGR1282



70362

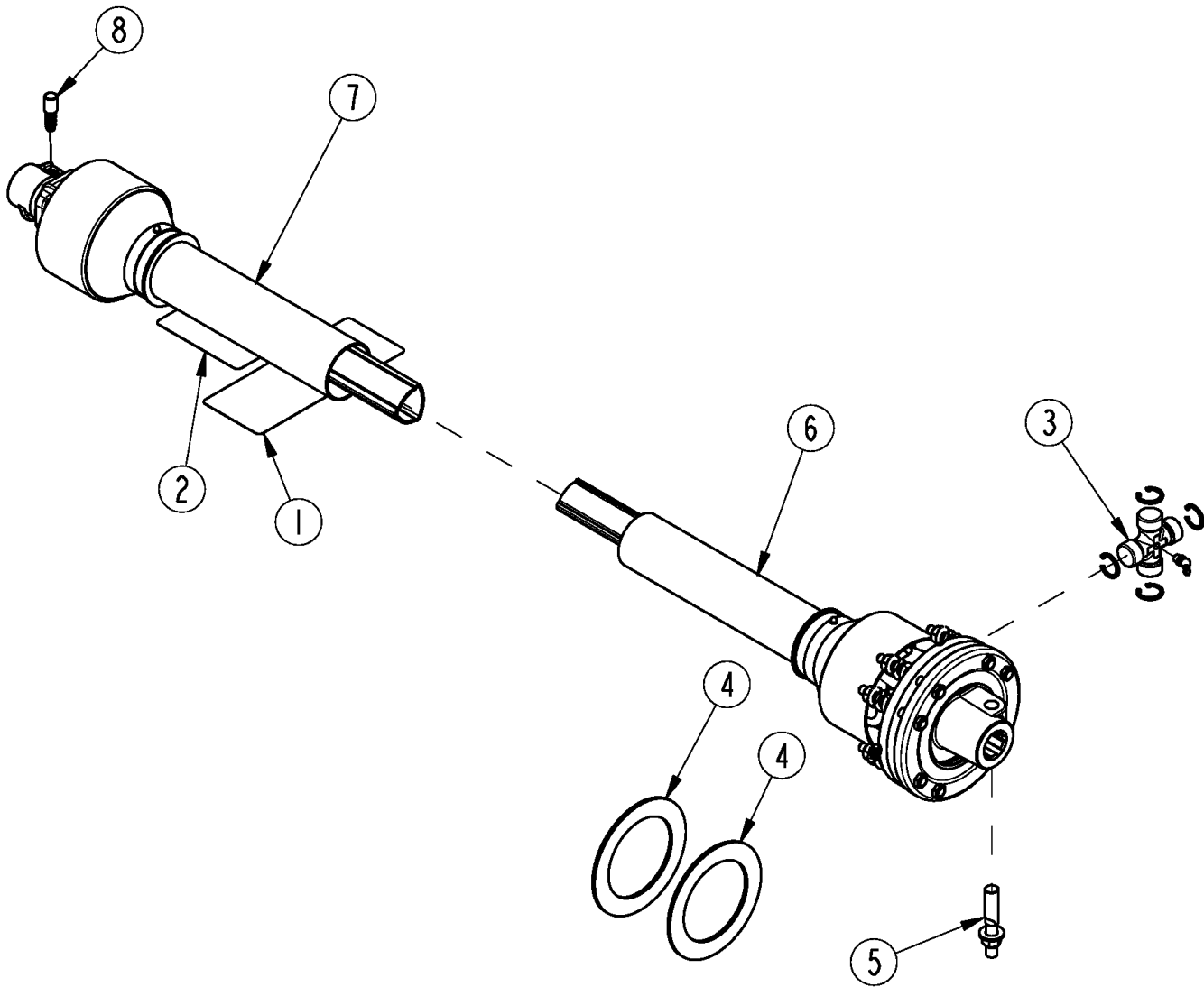
Drive Components

Applies to RGA1242, RGA1250, RGA1258, RGA1266, RGA1274, RGA1282, RGR1242, RGR1250, RGR1258, RGR1266, RGR1274, RGR1282

Ref	Part No.	Part Description	Comments	Revision
	Dwg 70362	Image No.		
1.	311-753A	DRVLN, 12 SERIES SLIP CLTCH	Standard for all RGR12 & RGA12 machines	
1.	311-884A	DRVLN B/BX,12 SER. SLIP CLTCH	Fits RGR12 & RGA12 42"-74" machines only	
2.	311-858D	SHAFT, 1.5 HEX DRIVE 42	RGR1242 & RGA1242	
2.	311-860D	SHAFT, 1.5 HEX DRIVE 50	RGR1250 & RGA1250	
2.	311-871D	SHAFT, 1.5 HEX DRIVE 58	RGR1258 & RGA1258	
2.	311-898D	SHAFT, 1.5 HEX DRIVE 66	RGR1266 & RGA1266	
2.	311-899D	SHAFT, 1.5 HEX DRIVE 74	RGR1274 & RGA1274	
2.	311-900D	SHAFT, 1.5 HEX DRIVE 82	RGR1282 & RGA1282	
3.	311-896D	BRACKET, SHIELD INTERMEDIATE		
4.	311-897D	RPBY 311-850D	S/N _____ - (Obsolete)	
4.	311-850D	GUARD BRACKET	S/N _____ +	
5.	802-002C	RHSNB 1/4-20X3/4 GR5		
6.	802-032C	HHCS 1/2-13X3/4 GR5		
7.	802-258C	HHCS 1/2-13X1 GR5		
8.	802-314C	HHCS M8X1.25X20 GR8.8		
9.	802-580C	HHCS 1/2-13X1 1/4 GR8		
10.	803-006C	NUT HEX 1/4-20 PLT		
11.	804-006C	WASHER LOCK SPRING 1/4 PLT		
12.	804-009C	WASHER LOCK SPRING 5/16 PLT		
13.	804-015C	WASHER LOCK SPRING 1/2 PLT		
14.	804-016C	WASHER FLAT 1/2 SAE PLT		
15.	804-036C	WASHER FLAT 5/16 SAE PLT		
16.	826-240C	SMALL SHAFT CONE W ACCESS DOOR		
17.	826-853C	GEARBOX, 1.46:1 RATIO HEX BORE	RGA units	
17.	311-967S	GEARBOX, 1.46:1 HEX BORE CONV	RGR units	
18.	837-093C	GUARD HEX SHAFT 42	RGR1242 & RGA1242	
18.	837-094C	GUARD HEX SHAFT 50	RGR1250 & RGA1250	
18.	837-095C	GUARD HEX SHAFT 58	RGR1258 & RGA1258	
18.	837-096C	GUARD HEX SHAFT 66	RGR1266 & RGA1266	
18.	837-097C	GUARD HEX SHAFT 74	RGR1274 & RGA1274	
18.	837-098C	GUARD HEX SHAFT 82	RGR1282 & RGA1282	

Driveline W/ Slip Clutch (311-753A & 311-884A)

Applies to RGA1242, RGA1250, RGA1258, RGA1266, RGA1274, RGA1282, RGR1242, RGR1250, RGR1258, RGR1266, RGR1274, RGR1282



30376

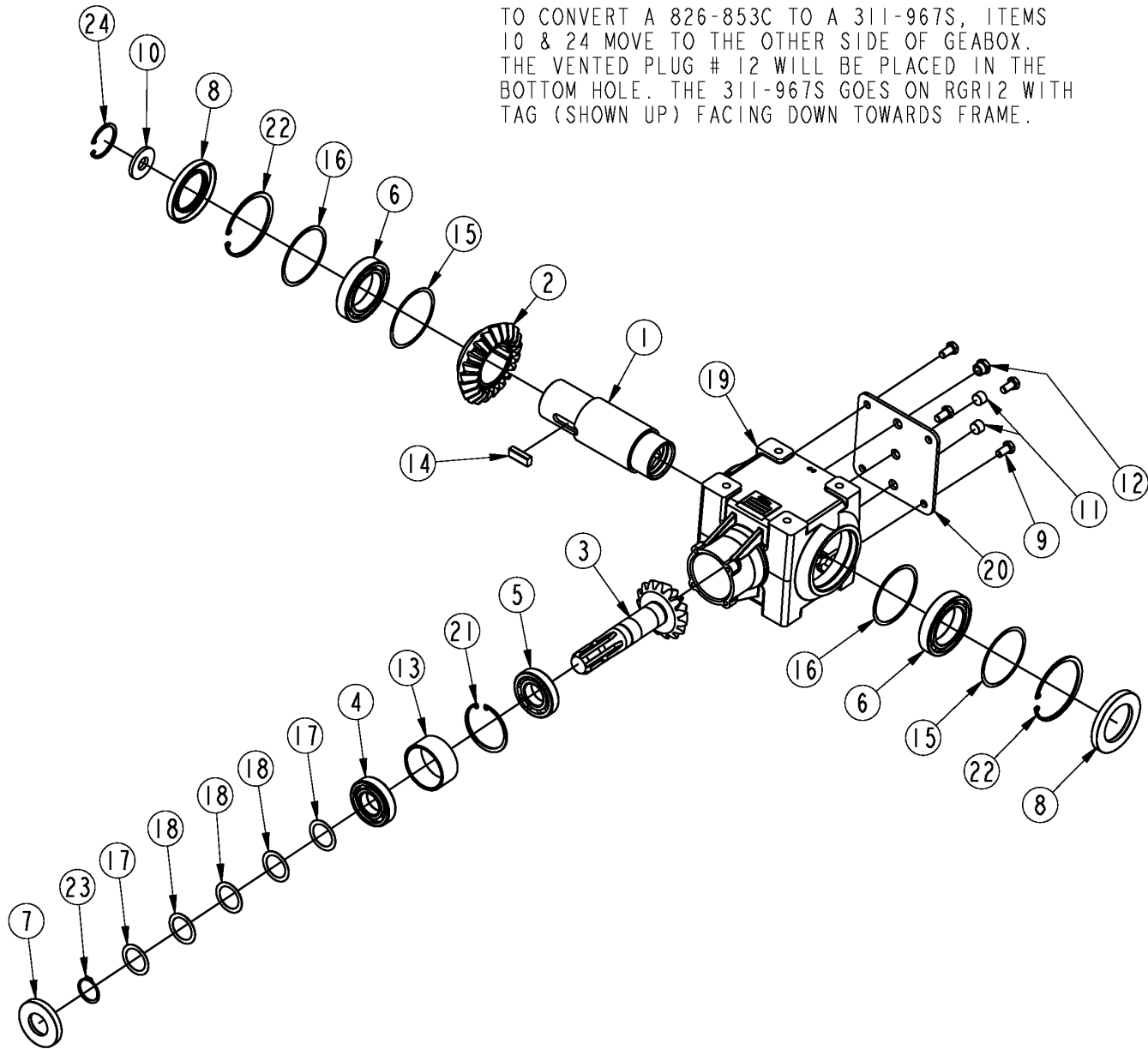
Driveline W/ Slip Clutch (311-753A & 311-884A)

Applies to RGA1242, RGA1250, RGA1258, RGA1266, RGA1274, RGA1282, RGR1242, RGR1250, RGR1258, RGR1266, RGR1274, RGR1282

Ref	Part No.	Part Description	Comments	Revision
	Dwg 30376	Drawing Image Number		
	311-753A	DRVLN, 12 SERIES SLIP CLTCH		
	311-884A	DRVLN B/BX,12 SER. SLIP CLTCH		
		*		
1.	818-540C	DECAL DANGER GUARD MISS PTO		
2.	818-552C	DECAL DANGER PTO DRIVELINE		
3.	1004020	EC CROSS ASSEMBLY (U JOINT)		
4.	GRI-4SC003	VULCAN FRICTION DISC		
5.	GRI-4SP004	BOLT, CONICAL DOG		
6.	311-790A	DRVLN, 311-753A REAR HALF		
7.	311-789A	DRVLN, 311-753A FRONT HALF		
8.	N/A			

Gearbox (826-853C) & (311-967S)

Applies to RGA1242, RGA1250, RGA1258, RGA1266, RGA1274, RGA1282, RGR1242, RGR1250, RGR1258, RGR1266, RGR1274, RGR1282



70364

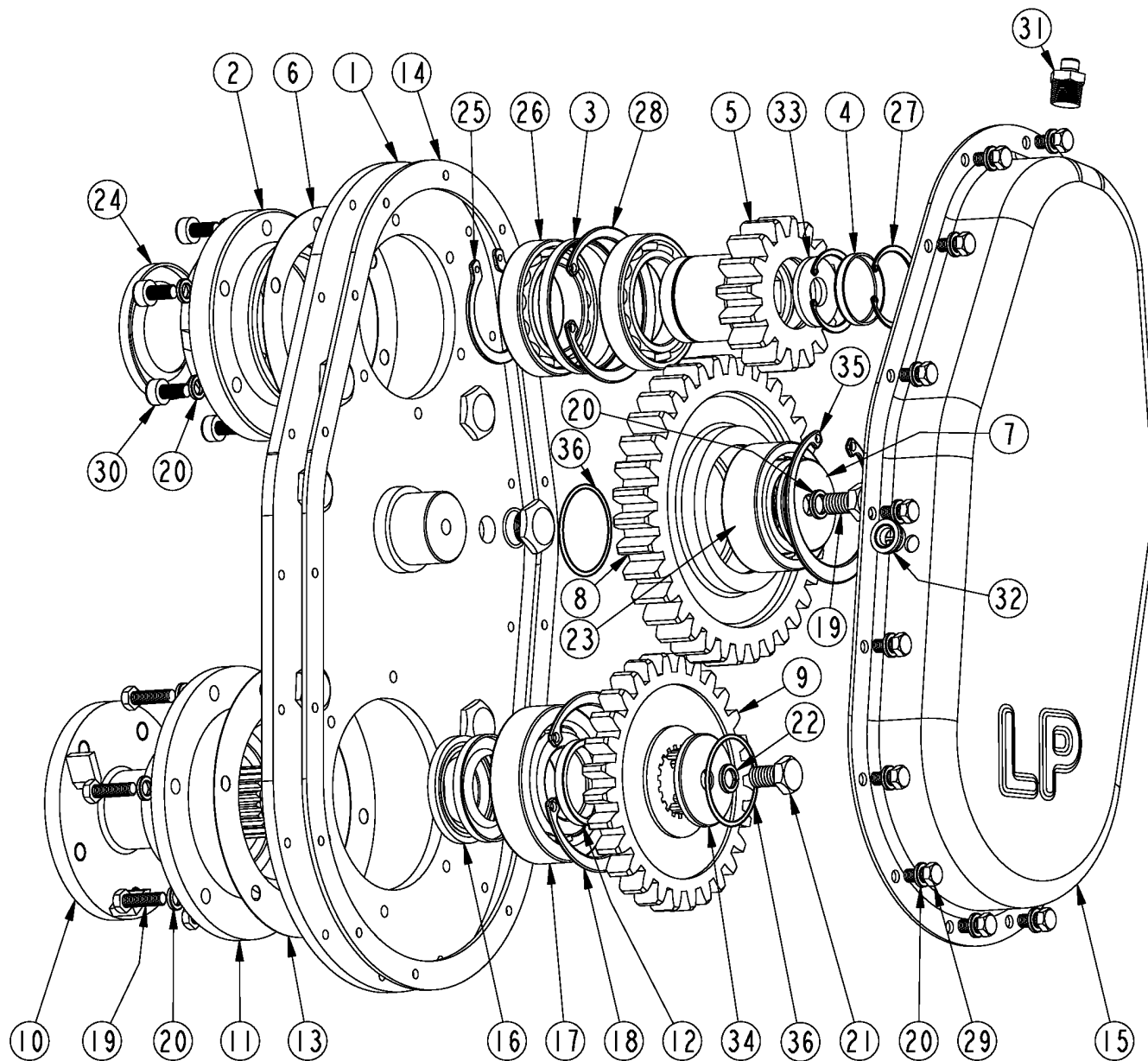
Gearbox (826-853C) & (311-967S)

Applies to RGA1242, RGA1250, RGA1258, RGA1266, RGA1274, RGA1282, RGR1242, RGR1250, RGR1258, RGR1266, RGR1274, RGR1282

Ref	Part No.	Part Description	Comments	Revision
	Dwg 70364	Image No.		
	826-853C	GEARBOX, 1.46:1 RATIO HEX BORE	RGA units (shown)	
	311-967S	GEARBOX, 1.46:1 HEX BORE CONV *	RGR units	
1.	02-395	OUTPUT SHAFT		
2.	03-334	GEAR 22 TOOTH		
3.	03-335	INPUT SHAFT W/15 TOOTH PINION		
4.	822-166C	BRG BALL 1.37IDX2.83OD 6207		
5.	04-081	SD 30207 TAPERED BRG		
6.	04-211	SD 60X95X18 BALL BRG		
7.	05-010	ITG INPUT SEAL		
8.	0.267.7104.00	CO SEAL DOUBLE LIP 60X95X10		
9.	06-010	SD M10X1.5X20 HEX HEAD BOLT		
10.	07-112	WASHER 49X20X5MM		
11.	09-052	SD 3/8-19NPT SQ HEAD PLUG		
12.	09-107	SD 3/8-18 NPT BREATHER PLUG		
13.	10-216	SD OUTPUT SPACER		
14.	14-102	SD 14X9X35 KEY		
15.	17-101	SD OUTPUT SHIM (0.50)		
16.	17-102	SD OUTPUT SHIM (1.0)		
17.	17-103	SD SHIM (0.50)		
18.	17-104	SD SHIM (0.70)		
19.	18-218	SD GB HOUSING		
20.	20-217	SD INSPECTION CAP		
21.	21-004	ITG RETAINING RING		
22.	21-104	SD 95 RETAINING RING		
23.	21-105	SD 35DIA EXT RETAINING RING		
24.	21-113	RETAINING RING 50MM BORE		

Tiller Gear Drive (311-919S)

Applies to RGA1242, RGA1250, RGA1258, RGA1266, RGA1274, RGA1282, RGR1242, RGR1250, RGR1258, RGR1266, RGR1274, RGR1282



70360

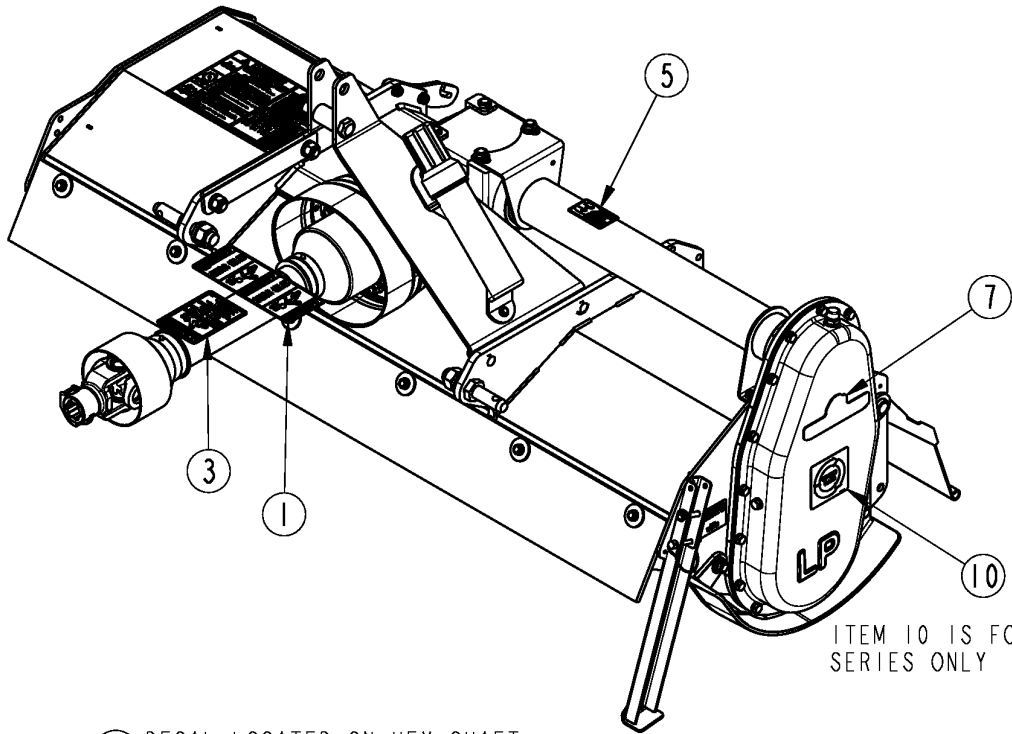
Tiller Gear Drive (311-919S)

Applies to RGA1242, RGA1250, RGA1258, RGA1266, RGA1274, RGA1282, RGR1242, RGR1250, RGR1258, RGR1266, RGR1274, RGR1282

Ref	Part No.	Part Description	Comments	Revision
	Dwg 70360 311-919S	Image No. GEAR DRIVE W/STMP CVR COMPLETE *		
1.	H-C0214-01	QMC MAIN SUPPORT PLATE		
2.	H-C0212	QMC INPUT BEARING HOUSING		
3.	H-C0251	QMC SPACER		
4.	H-C0245	QMC OIL COVER		
5.	H-C0221	QMC INPUT GEAR SHAFT		
6.	H-C0241	QMC TOP GASKET		
7.	H-C0253	QMC WASHER		
8.	H-C0222	QMC MIDDLE GEAR		
9.	H-C0224	QMC LOWER OUTPUT GEAR		
10.	H-C0223-01-00	QMC OUTPUT SHAFT		
11.	H-C0213-01	QMC LOWER BEARING ASSEMBLY		
12.	H-C0252	QMC SPACER		
13.	H-C0243	QMC LOWER GASKET		
14.	H-C0244	QMC MAIN SEAL		
15.	H-C0215-01	QMC GEAR CASE COVER STAMPED		
16.	S-211	QMC SEAL		
17.	S-133	QMC BEARING		
18.	S-410	QMC SNAP RING		
19.	S-301	QMC HEX BOLT		
20.	S-302	QMC LOCK WASHER		
21.	S-307	QMC HEX BOLT		
22.	S-304	QMC LOCK WASHER		
23.	S-126	QMC BEARING		
24.	S-212	QMC SEAL		
25.	S-411	QMC SNAP RING		
26.	S-124	QMC BEARING		
27.	S-412	QMC SNAP RING		
28.	S-406	RING, 95X2.5 INTERNAL SNAP		
29.	S-331	QMC HEX BOLT		
30.	S-310	QMC INSIDE HEX BOLT		
31.	S-502	QMC VENT PLUG		
32.	S-511	QMC SIGHT GLASS		
33.	H-C0216	QMC WASHER		
34.	H-C0255	QMC WASHER		
35.	S-417	QMC SNAP RING		
36.	S-419	QMC SHIM		

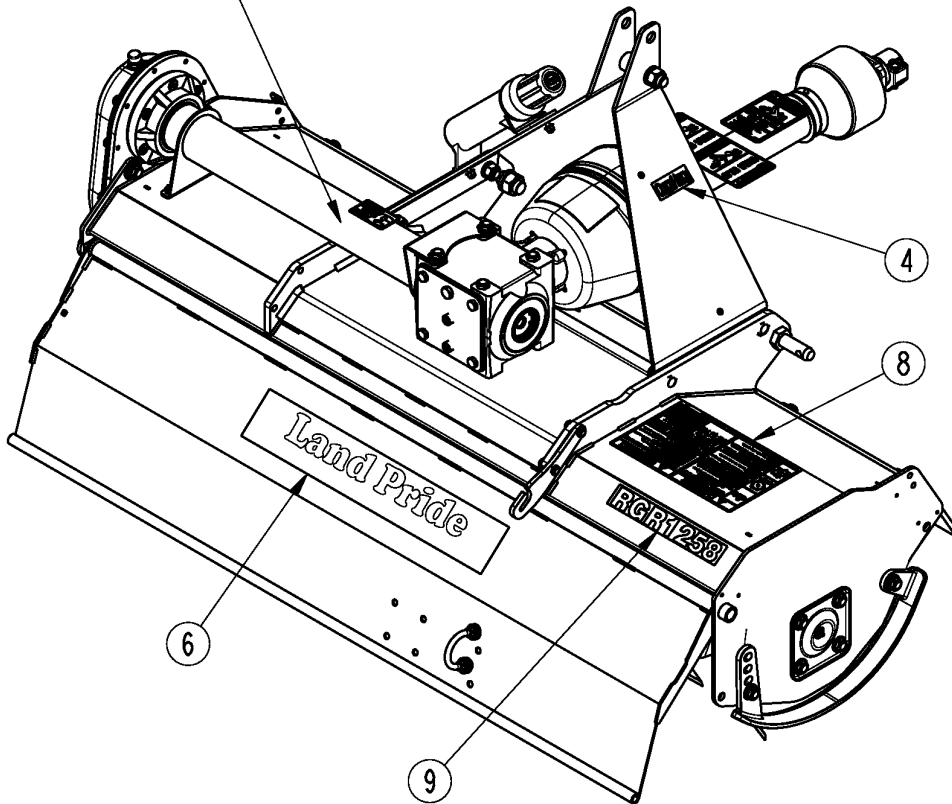
Decal Placement

Applies to RGA1242, RGA1250, RGA1258, RGA1266, RGA1274, RGA1282, RGR1242, RGR1250, RGR1258, RGR1266, RGR1274, RGR1282



ITEM 10 IS FOR RGR12 SERIES ONLY

2 DECAL LOCATED ON HEX SHAFT INSIDE OF THE SHAFT GUARD



70365

Decal Placement

Applies to RGA1242, RGA1250, RGA1258, RGA1266, RGA1274, RGA1282, RGR1242, RGR1250, RGR1258, RGR1266, RGR1274, RGR1282

Ref	Part No.	Part Description	Comments	Revision
	Dwg 70365	Image No.		
1.	818-540C	DECAL DANGER GUARD MISS PTO		
2.	818-543C	DECAL DANGER PD GUARD MISS SML		
3.	818-552C	DECAL DANGER PTO DRIVELINE		
4.	838-517C	DECAL QUICK HITCH SYSTEM		
5.	838-862C	DECAL 3 YEAR GEARBOX WARRANTY		
6.	838-966C	DECAL LANDPRIDE 22" BROWN/GOLD		
7.	838-968C	DECAL LP 6 W/TREE BROWN/GOLD		
8.	858-518C	DECAL, RTR CLUSTER		
9.	858-833C	DECAL RGR1242	RGR1242	
9.	858-834C	DECAL RGR1250	RGR1250	
9.	858-835C	DECAL RGR1258	RGR1258	
9.	858-836C	DECAL RGR1266	RGR1266	
9.	858-837C	DECAL RGR1274	RGR1274	
9.	858-838C	DECAL RGR1282	RGR1282	
9.	858-827C	DECAL RGA1242	RGA1242	
9.	858-828C	DECAL RGA1250	RGA1250	
9.	858-829C	DECAL RGA1258	RGA1258	
9.	858-830C	DECAL RGA1266	RGA1266	
9.	858-831C	DECAL RGA1274	RGA1274	
9.	858-832C	DECAL RGA1282	RGA1282	
10.	838-897C	DECAL REV TILLING W/ARROWS GLD		

Land Pride Touch-up Paints

Applies to RGA1242, RGA1250, RGA1258, RGA1266, RGA1274, RGA1282, RGR1242, RGR1250, RGR1258, RGR1266, RGR1274, RGR1282

No diagram associated with this Parts List

Land Pride Touch-up Paints

Applies to RGA1242, RGA1250, RGA1258, RGA1266, RGA1274, RGA1282, RGR1242, RGR1250, RGR1258, RGR1266, RGR1274, RGR1282

Ref	Part No.	Part Description	Comments	Revision
1.	821-011C	LP BEIGE SPRAY CAN	Spray can	
1.	821-011CTU	LP BEIGE TOUCH-UP 5OZ	Touch-up bottle with brush	
1.	821-011CQT	LP BEIGE QUART	Quart can	
1.	821-011CGL	LP BEIGE GALLON	Gallon can	
2.	821-070C	GLOSS BLACK SPRAY CAN	Spray can	
2.	821-070CTU	GLOSS BLACK TOUCH-UP 5OZ	Touch-up bottle with brush	
2.	821-070CQT	GLOSS BLACK QUART	Quart can	
2.	821-070CGL	GLOSS BLACK GALLON	Gallon can	
3.	821-054C	MED. RED SPRAY TRCK/CTR	Spray can	
3.	821-054CTU	MED RED TOUCH-UP 5OZ	Touch-up bottle with brush	
3.	821-054CQT	MED RED QUART	Quart can	
3.	821-054CGL	MED RED GALLON	Gallon can	
4.	821-058C	GREEN SPRAY CUTTERS	Spray can	
4.	821-058CTU	GREEN TOUCH-UP 5OZ	Touch-up bottle with brush	
4.	821-058CQT	GREEN QUART	Quart can	
4.	821-058CGL	GREEN GALLON	Gallon can	
5.	821-066C	ORANGE SPRAY CAN	Spray can	
5.	821-066CTU	ORANGE TOUCH-UP 5OZ	Touch-up bottle with brush	
5.	821-066CQT	ORANGE QUART	Quart can	
5.	821-066CGL	ORANGE GALLON	Gallon can	
6.	821-067C	BLUE SPRAY CAN	Spray can	
6.	821-067CTU	BLUE TOUCH-UP 5OZ	Touch-up bottle with brush	
6.	821-067CQT	BLUE QUART	Quart can	
6.	821-067CGL	BLUE GALLON	Gallon can	
7.	821-080C	PAINT ALUMINUM/ZINC SPRAY CAN	Spray can	
7.	821-080CTU	PAINT ALUMINUM/ZINC TOUCH UP	Touch-up bottle with brush	
7.	821-080CQT	PAINT ALUMINUM/ZINC QUART	Quart can	
7.	821-080CGL	PAINT ALUMINUM/ZINC GALLON	Gallon can	



Part Number Index

The Part Number Index is a numeric index of all part numbers included in this manual. The index shows what page(s) the part is used on.

Part Number	Page	Part Number	Page	Part Number	Page	Part Number	Page
0267.7104.00	23	311-869D83	11	802-204C	11	821-067CQT	29
02-395	23	311-870D	11	802-224C	15	821-067CTU	29
03-334	23	311-870D81	11	802-258C	19	821-070C	29
03-335	23	311-870D82	11	802-314C	19	821-070CGL	29
04-081	23	311-870D83	11	802-326C	17	821-070CQT	29
04-211	23	311-871D	19	802-580C	17, 19	821-070CTU	29
05-010	23	311-884A	19, 21	802-738C	7	821-080C	29
06-010	23	311-887D	7	803-006C	19	821-080CGL	29
07-112	23	311-887D81	7	803-011C	11	821-080CQT	29
09-052	23	311-887D82	7	803-014C	7	821-080CTU	29
09-107	23	311-887D83	7	803-018C	17	822-082C	17
10-216	23	311-892H	7	803-020C	17	822-166C	23
1004020	21	311-892H81	7	803-021C	11	822-255C	17
14-102	23	311-892H82	7	803-027C	11	826-240C	19
17-101	23	311-892H83	7	803-149C	11	826-853C	19, 23
17-102	23	311-896D	19	803-209C	8	837-093C	19
17-103	23	311-897D	19	803-255C	15	837-094C	19
17-104	23	311-898D	19	803-382C	7	837-095C	19
18-218	23	311-899D	19	803-501C	7	837-096C	19
20-217	23	311-900D	19	804-006C	19	837-097C	19
21-004	23	311-913H	11	804-007C	15	837-098C	19
21-104	23	311-913H81	11	804-009C	19	837-132C	8
21-105	23	311-913H82	11	804-011C	7	838-517C	27
21-113	23	311-913H83	11	804-013C	7	838-862C	27
308-400D	11	311-914H	11	804-015C	7, 17, 19	838-897C	27
311-077D	7	311-914H81	11	804-016C	7, 19	838-966C	27
311-205D	17	311-914H82	11	804-022C	11	838-968C	27
311-357K	17	311-914H83	11	804-023C	11	858-518C	27
311-430H	7	311-915H	11	804-036C	19	858-827C	27
311-430H81	7	311-915H81	11	804-037C	11	858-828C	27
311-430H82	7	311-915H82	11	804-094C	17	858-829C	27
311-430H83	7	311-915H83	11	804-273C	7	858-830C	27
311-445H	7	311-916H	11	805-065C	12	858-831C	27
311-445H81	7	311-916H81	11	805-111C	12	858-832C	27
311-445H82	7	311-916H82	11	806-049C	7	858-833C	27
311-445H83	7	311-916H83	11	812-530C	7	858-834C	27
311-449H	7	311-917H	11	812-531C	7	858-835C	27
311-449H81	7	311-917H81	11	815-131C	17	858-836C	27
311-449H82	7	311-917H82	11	816-068C	17	858-837C	27
311-449H83	7	311-917H83	11	816-070C	17	858-838C	27
311-663D	7	311-918H	11	816-462C	7	Dwg 30376	21
311-699H	7	311-918H81	11	816-463C	7	Dwg 39163	15
311-699H81	7	311-918H82	11	816-472C	7	Dwg 70356	7
311-699H82	7	311-918H83	11	816-504C	15	Dwg 70357	11
311-699H83	7	311-919S	17, 25	816-659C	7	Dwg 70359	17
311-700H	7	311-927H	17	816-660C	8	Dwg 70360	25
311-700H81	7	311-928H	17	816-849C	8	Dwg 70362	19
311-700H82	7	311-929H	17	818-540C	21, 27	Dwg 70364	23
311-700H83	7	311-930H	17	818-543C	27	Dwg 70365	27
311-753A	19, 21	311-931H	17	818-552C	21, 27	GRI-4SC003	21
311-784D	11	311-932H	17	820-329C	17	GRI-4SP004	21
311-784D81	11	311-967S	19, 23	820-330C	17	H-C0212	25
311-784D82	11	326-095S	11, 15	821-011C	29	H-C0213-01	25
311-784D83	11	336-008H	17	821-011CGL	29	H-C0214-01	25
311-785D	11	336-009H	17	821-011CQT	29	H-C0215-01	25
311-785D81	11	336-010H	17	821-011CTU	29	H-C0216	25
311-785D82	11	336-011H	17	821-054C	29	H-C0221	25
311-785D83	11	336-012H	17	821-054CGL	29	H-C0222	25
311-786D	11	336-013H	17	821-054CQT	29	H-C0223-01-00	25
311-786D81	11	800-053C	17	821-054CTU	29	H-C0224	25
311-786D82	11	800-079C	17	821-058C	29	H-C0241	25
311-786D83	11	800-080C	17	821-058CGL	29	H-C0243	25
311-789A	21	802-002C	19	821-058CQT	29	H-C0244	25
311-790A	21	802-007C	11	821-058CTU	29	H-C0245	25
311-850D	19	802-032C	19	821-066C	29	H-C0251	25
311-858D	19	802-051C	11	821-066CGL	29	H-C0252	25
311-860D	19	802-079C	7	821-066CQT	29	H-C0253	25
311-869D	11	802-082C	17	821-066CTU	29	H-C0255	25
311-869D81	11	802-091C	7	821-067C	29	N/A	21
311-869D82	11	802-138C	11	821-067CGL	29	S-124	25



Part Number Index (continued)

<u>Part Number</u>	<u>Page</u>
S-126	25
S-133	25
S-211	25
S-212	25
S-301	25
S-302	25
S-304	25
S-307	25
S-310	25
S-331	25
S-406	25
S-410	25
S-411	25
S-412	25
S-417	25
S-419	25
S-502	25
S-511	25



Great Plains Manufacturing, Inc.

Corporate Office: P.O. Box 5060
Salina, Kansas 67402-5060 USA

www.landpride.com
