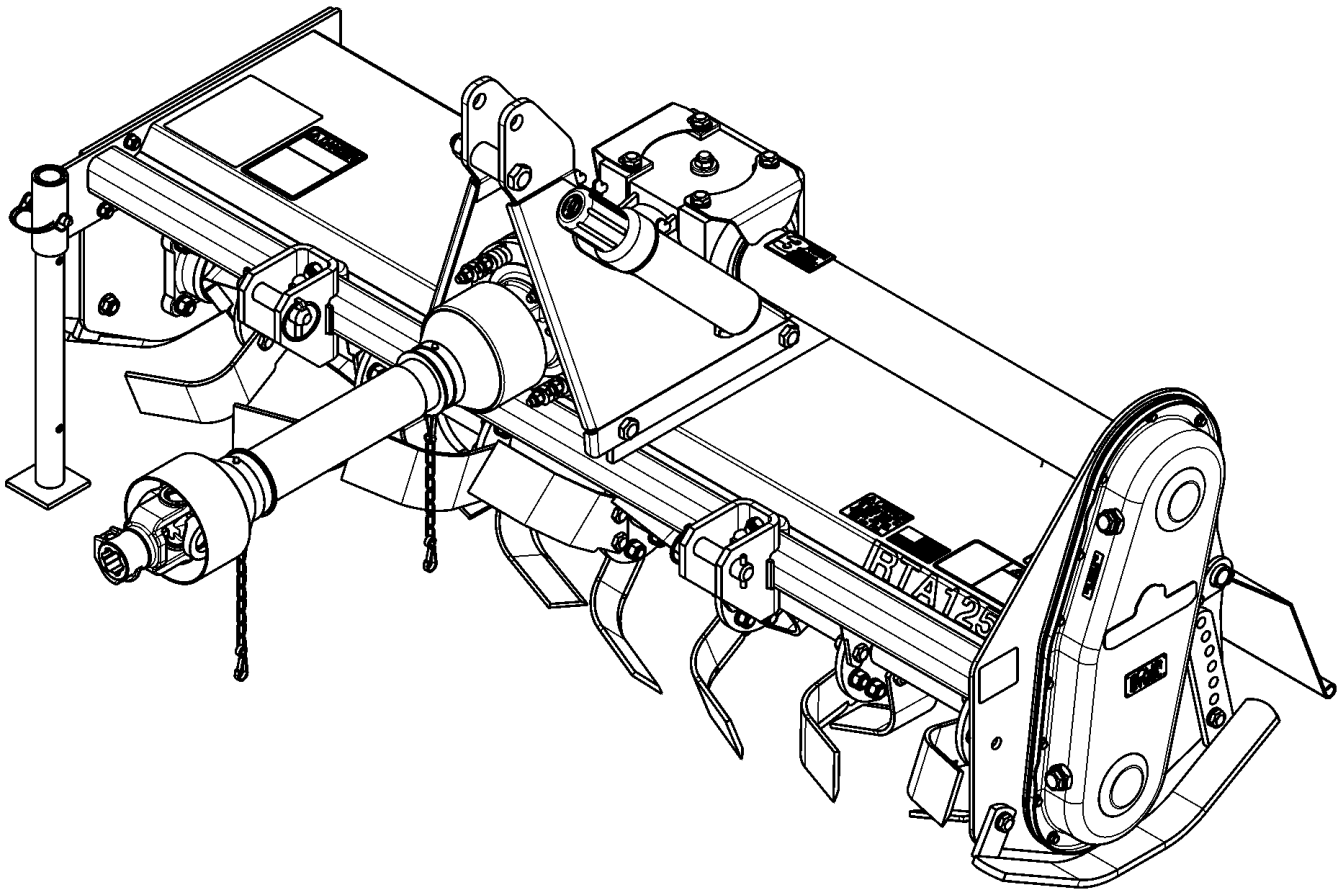


Rotary Tiller

RTA12 & RTR12 Series (S/N 884764-)



30361

311-785P Parts Manual



Read the Operator's Manual entirely. When you see this symbol, the subsequent instructions and warnings are serious - follow without exception. Your life and the lives of others depend on it!

© Copyright 2015 Printed 09/29/15

Cover photo may show optional equipment not supplied with standard unit.





Table of Contents

Section 1: Introduction.....4
 Using This Manual.....4
 Manual Replacement Information.....4
 Manual Revisions.....4
 Touch-up Paint.....4
 Hardware Legend.....5
 Replacement Hardware.....5
 Serial Numbers.....5
 Part Number Service Coding.....5

RTA12 SERIES S/N 884764-

Section 2: Frame.....6
 Deflector Rear.....6
 Frame and Hitch.....8
Section 3: Rotor.....11
 Rotor Assembly.....12
Section 4: Drive.....14
 Drive Components.....14
 Driveline W/ Slip Clutch (311-753A).....18
 Gearbox (826-678C) SD.....20
 Gearbox (826-678C) Vulcan.....22
Section 5: Labels.....24
 Label Placement.....24

RTR12 SERIES S/N 884764-

Section 2: Frame.....26
 Deflector Front and Rear.....26
 Frame and Hitch.....28
Section 3: Rotor.....31
 Rotor Assembly.....32
Section 4: Drive.....34
 Drive Components.....34
 Driveline W/ Slip Clutch (311-753A).....38
 Gearbox (826-678C) SD.....40
 Gearbox (826-678C) Vulcan.....42
Section 5: Labels.....44
 Label Placement.....44

Part Number Index.....46

© Copyright 2015. All rights reserved.

Land Pride provides this publication “as is” without warranty of any kind, either expressed or implied. While every precaution has been taken in the preparation of this manual, Land Pride assumes no responsibility for errors or omissions. Neither is any liability assumed for damages resulting from the use of the information contained herein. Land Pride reserves the right to revise and improve its products as it sees fit. This publication describes the state of this product at the time of its publication, and may not reflect the product in the future. The illustrations in this manual are not intended for safe and proper assembly or disassembly of equipment. The illustrations are intended for ordering parts only.

Land Pride is registered trademark.

All other brands and product names are trademarks or registered trademarks of their respective holders.

Printed in the United States of America.



Alphabetized Table of Contents

RTA12 SERIES S/N 884764-

D	
Deflector Rear.....	6
Drive Components.....	14
Driveline W/ Slip Clutch (311-753A).....	18
F	
Frame and Hitch.....	8
G	
Gearbox (826-678C) SD.....	20
Gearbox (826-678C) Vulcan.....	22
L	
Label Placement.....	24
R	
Rotor Assembly.....	12

RTR12 SERIES S/N 884764-

D	
Deflector Front and Rear.....	26
Drive Components.....	34
Driveline W/ Slip Clutch (311-753A).....	38
F	
Frame and Hitch.....	28
G	
Gearbox (826-678C) SD.....	40
Gearbox (826-678C) Vulcan.....	42
L	
Label Placement.....	44
R	
Rotor Assembly.....	32

General Information

Using This Manual

This manual is divided into sections. The first section contains General Information. The remaining sections divide the machine into segments (i.e. Frames, Drives, Hydraulics, etc.) which illustrate and list all parts. A Parts Number Index is located at the back of the book.

The Land Pride parts in this manual are specially designed for this machine and should be replaced with Land Pride parts only.

The information in this manual is current at time of printing. Some parts may change to assure top performance.

Right-hand and left-hand as used in this manual are determined by facing the direction the machine will travel while in use.

Below is an example of two facing pages from a parts manual. Familiarize yourself with the type of information contained on these pages.

Manual Replacement Information

Replacement manuals are available. Refer to our website at www.landpride.com or e-mail us at lit@landpride.com for additional information. Our website continues to provide the most up-to-date manuals available.

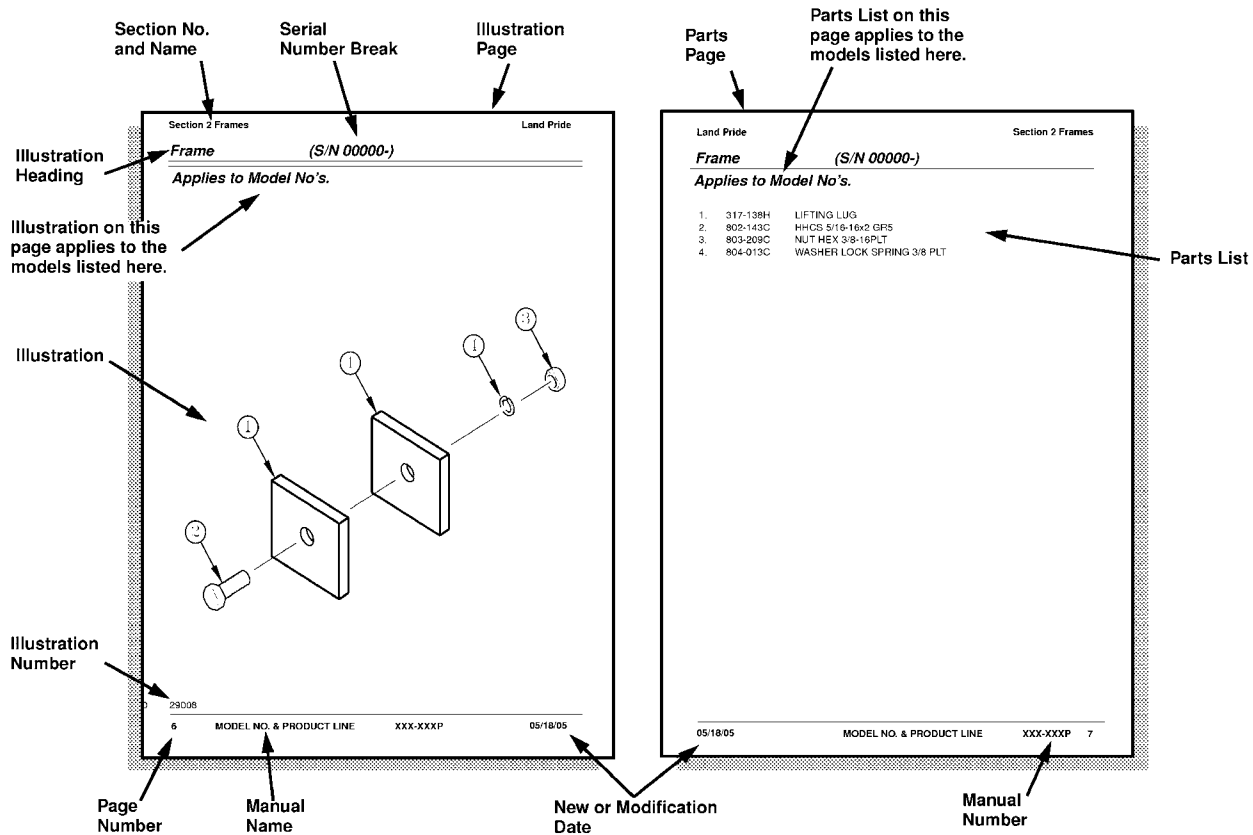
Touch-up Paint

Repaint parts where paint is worn or scratched to prevent rust. Aerosol cans and touch-up bottles with brush applicator are available through your local dealer. Land Pride color descriptions and part numbers are listed below. Also available are quart and gallon size paints. Add QT or GL to end of the Aerosol P/N.

Color	Product*	Aerosol	Touch-Up
Gloss Black	LP	821-032C	821-032CTU
Beige	LP	821-011C	821-011CTU
Green	SLP	821-058C	821-058CTU
Orange	SLP	821-066C	821-066CTU
Red	SLP	821-054C	821-054CTU
Blue	SLP	821-067C	821-067CTU

Notes:

- * LP = All Land Pride Products
- SLP = Select Land Pride Products that are available in optional Green, Orange and Red.



General Information

Hardware Legend

AR	As Required
BLADE	Blade Bolt
C	Cap Screw
CP	Cotter Pin
CPHSSS	Cup Point Hex Socket Set Screw
CPSHSS	Cup Point Square Head Set Screw
CPSQHSS	Cup Point Square Head Set Screw
CRFCHMS3	Cross Recess Flat Countersunk Head Machine Screw
CRPHMS	Cross Recess Pan Head Machine Screw
CRPHTF	Cross Recess Pan Head Thread Forming
CRRHMS	Cross Recess Round Head Machine Screw
CRTHMS	Cross Recess Truss Head Machine Screw
CSNB	Countersunk Square Neck Bolt
FHMS	Flat Head Machine Screw
FTC	Full Thread Cap Screw
H	Hex Nut
HCLN	Hex Center Lock Nut
HFLCS	Hex Flange Lock Cap Screw
HFS	Hex Flange Screw
HFSLN	Hex Flange Serrated Lock Nut
HFSS	Hex Flange Serrated Screw
HHCS	Hex Head Cap Screw or Metric Bolt
HSBHCS	Hex Socket Button Head Cap Screw
HSFCHCS	Hex Socket Flat Countersunk Head Cap Screw
HSHCS	Hex Socket Head Cap Screw
HSSS	Hex Socket Head Screw
HTLN	Hex Top Lock Nut
HWHCS	Hex Washer Head Cap Screw

HWHMS	Hex Washer Head Machine Screw
HXBHCS	Hex Socket Button Head Cap Screw
J	Hex Jam Nut
JIC	37 Degree Tapered Thread
L	Helical Spring Lock Washer
LUG	Lug Bolt
NFC	National Fine Cap Screw
NPSM	National Pipe Straight Mechanical
NPTF	National Pipe Taper Fuel
P	Wide Plain Washer
PHMS	Pan Head Machine Screw
PLOW	Plow Bolt
RHMS	Round Head Machine Screw
RHSNB	Round Head Square Neck Bolt
SCREW LEVELING	Leveling Screw
SCREW THUMB	Thumb Screw
SCREW WELD	Weld Screw
SFCHMS	Slotted Flat Countersunk Head Machine Screw
SFHMS	Slotted Fillister Head Machine Screw
SP	Special
SP SCREW	Special Screw
SQHSS	Square Head Set Screw
SRHMS	Slotted Round Head Machine Screw
SSS	Socket Set Screw
STCS	Self Tapping Cap Screw
STHMS	Slotted Truss Head Machine Screw
WHEEL	Wheel Studs and Hub Long Bolts
WING	Wing Bolt

Replacement Hardware

The **Hardware Legend** above lists hardware abbreviations used in the parts list. All bolts and nuts are Grade 5 unless otherwise noted. The use of improper grades of hardware can result in personal injury, damage to equipment, or loss of property.

Colored Replacement Parts

Land Pride offers replacement parts in factory standard colors and also on select models in Green, Orange, Red and Blue. Because of the variety of colors available, special attention must be given to the part number to prevent ordering the wrong replacement part.

A suffix number corresponding to one of the colors below must be added at the end of Land Pride's part number when ordering a replacement part with that color.

81 Green 83 Red
82 Orange 84 Blue

For example, if you are ordering a replacement part with part number 555-555C and the part you need is red, then add the suffix 83 to the end of the number to make the part number read 555-555C83. Parts ordered without a suffix number will be supplied in factory standard colors.

Black Replacement Parts

Some parts are factory standard black and some must be special ordered black. If your part is special ordered black, a second part number with the additional suffix number 85 on the end will be available. In this situation you must order that part with the suffix number for it to be black. Parts that are factory standard black will not have the suffix number.

Part Number Service Coding

Within the parts list some part numbers are coded for revisions and interchangeability. See notations in revision column.

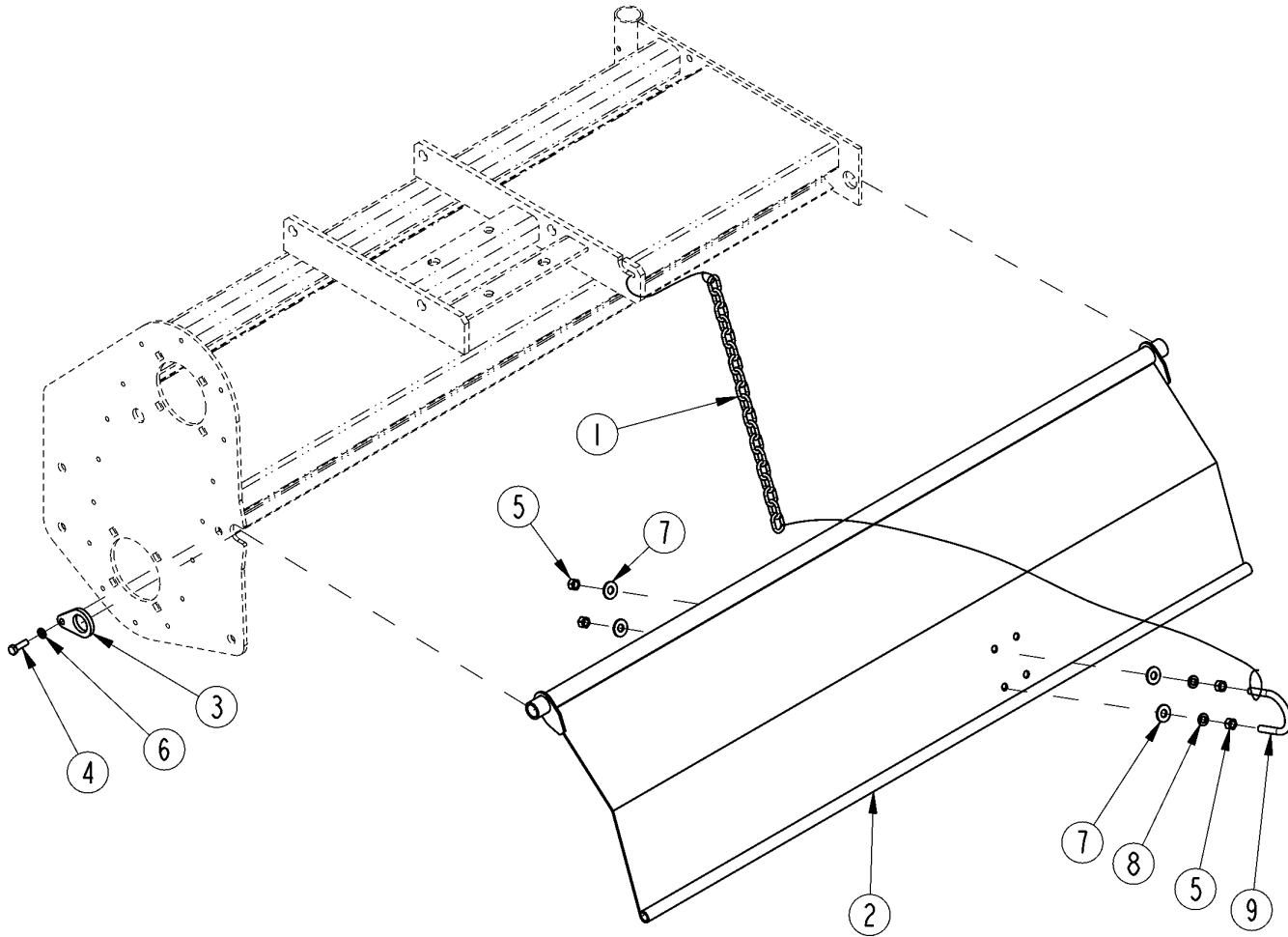
Serial Numbers

Always use the serial and model number when ordering parts. Refer to the Operator's Manual for serial number plate location.

- (S/N 20001+) Includes serial numbers 20001 and above (to the latest number)
- (S/N 10001 to 20000) Includes serial numbers between and including 10001 and 20000
- (S/N 10000-) Includes serial numbers 10000 and below (to the earliest number)

Deflector Rear

Applies to RTA1242 S/N 884764-, RTA1250 S/N 884764-, RTA1258 S/N 884764-, RTA1266 S/N 884764-, RTA1274 S/N 884764-



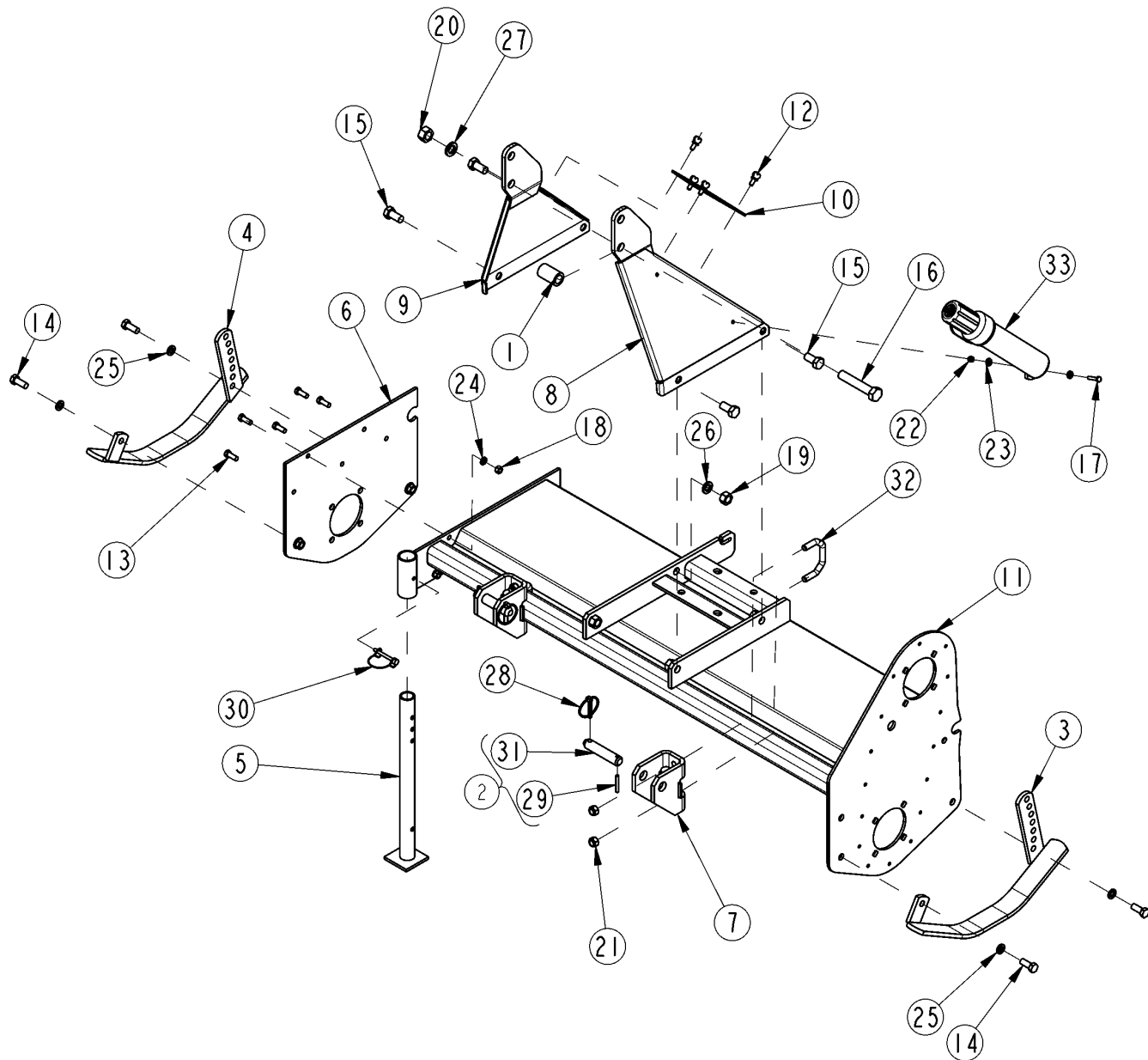
30368

Deflector Rear**Applies to RTA1242 S/N 884764-, RTA1250 S/N 884764-, RTA1258 S/N 884764-, RTA1266 S/N 884764-,**

Ref	Part No	Part Description	Comments	Revision
	dwg30368	Drawing Image Number		
1.	311-077D	REAR DEFLECTOR CHAIN 10/15		
2.	311-430H	TAILGATE WELDMENT	RTA1242	
2.	311-430H81	TAILGATE WELDMENT GREEN		
2.	311-430H82	TAILGATE WELDMENT ORANGE		
2.	311-430H83	TAILGATE WELDMENT RED		
2.	311-445H	TAILGATE WELDMENT	RTA1250	
2.	311-445H81	TAILGATE WELDMENT GREEN		
2.	311-445H82	TAILGATE WELDMENT ORANGE		
2.	311-445H83	TAILGATE WELDMENT RED		
2.	311-449H	TAILGATE WELDMENT	RTA1258	
2.	311-449H81	TAILGATE WELDMENT GREEN		
2.	311-449H82	TAILGATE WELDMENT ORANGE		
2.	311-449H83	TAILGATE WELDMENT RED		
2.	311-699H	WLDMNT, 15 SERIES 66" TAILGATE	RTA1266	
2.	311-699H81	WLDMNT, GREEN 66" TAILGATE		
2.	311-699H82	WLDMNT, ORANGE 66" TAILGATE		
2.	311-699H83	WLDMNT, RED 66" TAILGATE		
2.	311-700H	WLDMNT, 15 SERIES 74" TAILGATE	RTA1274	
2.	311-700H81	WLDMNT, GREEN 74" TAILGATE		
2.	311-700H82	WLDMNT, ORANGE 74" TAILGATE		
2.	311-700H83	WLDMNT, RED 74" TAILGATE		
3.	311-663D	TAILGATE LOCK 10 & 15 SERIES		
4.	802-738C	HHCS 5/16-18X1 GR5 ZNYCR		
5.	803-014C	NUT HEX 3/8-16 PLT		
6.	804-009C	WASHER LOCK SPRING 5/16 PLT		
7.	804-011C	WASHER FLAT 3/8 USS PLT		
8.	804-013C	WASHER LOCK SPRING 3/8 PLT		
9.	806-049C	U-BOLT 3/8-16 X2 1/32X2 5/8SPL		

Frame and Hitch

Applies to RTA1242 S/N 884764-, RTA1250 S/N 884764-, RTA1258 S/N 884764-, RTA1266 S/N 884764-, RTA1274 S/N 884764-



30367

Frame and Hitch**Applies to RTA1242 S/N 884764-, RTA1250 S/N 884764-, RTA1258 S/N 884764-, RTA1266 S/N 884764-,**

Part No.	Part Description	Comments	Revision
	dwg30367	Drawing Image Number	
1.	308-400D	SPACER 1 1/4OD X 13/16ID X 2LG	
2.	310-020S	LOWER HITCH PIN	
3.	311-006H	LH SKIDSHOE RTA10/15/20 RTR20	
3.	311-006H81	LH SKIDSHOE GREEN	
3.	311-006H82	LH SKIDSHOE ORANGE	
3.	311-006H83	LH SKIDSHOE RED	
4.	311-007H	RH SKIDSHOE RTA10/15/20 RTR20	
4.	311-007H81	RH SKIDSHOE GREEN	
4.	311-007H82	RH SKIDSHOE ORANGE	
4.	311-007H83	RH SKIDSHOE RED	
5.	311-014H	STAND LEG RTA10/15/20 RTR20	
5.	311-014H81	STAND LEG GREEN	
5.	311-014H82	STAND LEG ORANGE	
5.	311-014H83	STAND LEG RED	
6.	311-017H	RH END PLATE WELDMT 10/15 TILR	
6.	311-017H81	RH END PLATE WELDMT GREEN	
6.	311-017H82	RH END PLATE WELDMT ORANGE	
6.	311-017H83	RH END PLATE WELDMT RED	
7.	311-052H	LWR HTCH CLVS RTA10/15/20RTR20	
7.	311-052H81	LOWER HITCH CLEVIS GREEN	
7.	311-052H82	LOWER HITCH CLEVIS ORANGE	
7.	311-052H83	LOWER HITCH CLEVIS RED	
8.	311-265E	LH HVY TOP HTC RTA10/15/20/R20	
8.	311-265E81	LH HVY TOP HTC GREEN	
8.	311-265E82	LH HVY TOP HTC ORANGE	
8.	311-265E83	LH HVY TOP HTC RED	
9.	311-266E	RH HVY TOP HTC RTA10/15/20/R20	
9.	311-266E81	RH HVY TOP HTC GREEN	
9.	311-266E82	RH HVY TOP HTC ORANGE	
9.	311-266E83	RH HVY TOP HTC RED	
10.	311-347D	RTR/RTA10/15/20 3PT SHFT GUARD	
10.	311-347D81	10/15/20 3PT SFT GUARD GREEN	
10.	311-347D82	10/15/20 3PT SHFT GUARD ORANGE	
10.	311-347D83	10/15/20 3PT SHFT GUARD RED	
11.	311-743H	WLDMNT, 42" RTA10/12 FRAME	
11.	311-743H81	WLDMNT, 42" RTA10/12 FRAME GREEN	
11.	311-743H82	WLDMNT, 42" RTA10/12 FRAME ORANGE	
11.	311-743H83	WLDMNT, 42" RTA10/12 FRAME RED	
11.	311-744H	WLDMNT, 50" RTA10/12 FRAME	
11.	311-744H81	WLDMNT, 50" RTA10/12 FRAME GREEN	
11.	311-744H82	WLDMNT, 50" RTA10/12 FRAME ORANGE	
11.	311-744H83	WLDMNT, 50" RTA10/12 FRAME RED	
11.	311-745H	WLDMNT, 58" RTA10/12 FRAME	
11.	311-745H81	WLDMNT, 58" RTA10/12 FRAME GREEN	
11.	311-745H82	WLDMNT, 58" RTA10/12 FRAME ORANGE	
11.	311-745H83	WLDMNT, 58" RTA10/12 FRAME RED	
11.	311-746H	WLDMNT, 66" RTA10/12 FRAME	
11.	311-746H81	WLDMNT, 66" RTA10/12 FRAME GREEN	
11.	311-746H82	WLDMNT, 66" RTA10/12 FRAME ORANGE	
11.	311-746H83	WLDMNT, 66" RTA10/12 FRAME RED	
11.	311-747H	WLDMNT, 74" RTA10/12 FRAME	
11.	311-747H81	WLDMNT, 74" RTA10/12 FRAME GREEN	
11.	311-747H82	WLDMNT, 74" RTA10/12 FRAME ORANGE	
11.	311-747H83	WLDMNT, 74" RTA10/12 FRAME RED	
12.	801-042C	SCREW THUMB 5/16-18 X 5/8 PLT	
13.	802-017C	HHCS 3/8-16X1 GR5	
14.	802-034C	HHCS 1/2-13X1 1/4 GR5	

Frame and Hitch (continued)

Applies to RTA1242 S/N 884764-, RTA1250 S/N 884764-, RTA1258 S/N 884764-, RTA1266 S/N 884764-, RTA1274

S/N 884764- Part No.	Part Description	Comments	Revision
15. 802-050C	HHCS 5/8-11X1 1/4 GR5		
16. 802-068C	HHCS 3/4-10X4 GR5		
17. 802-224C	HHCS 1/4-20X1 1/4 GR5		
18. 803-014C	NUT HEX 3/8-16 PLT		
19. 803-021C	NUT HEX 5/8-11 PLT		
20. 803-027C	NUT HEX 3/4-10 PLT		
21. 803-147C	NUT HEX NYLOCK 1/2-13		
22. 803-255C	NUT HEX NYLOCK 1/4-20		
23. 804-007C	WASHER FLAT 1/4 SAE PLT		
24. 804-013C	WASHER LOCK SPRING 3/8 PLT		
25. 804-015C	WASHER LOCK SPRING 1/2 PLT		
26. 804-022C	WASHER LOCK SPRING 5/8 PLT		
27. 804-023C	WASHER LOCK SPRING 3/4 PLT		
28. 805-015C	PIN LINCH 5/16 X 1 3/4		
29. 805-041C	PIN ROLL 1/4X1 3/4		
30. 805-065C	PIN WIRE RETAINING 1/4 X 1 3/4		
31. 805-198C	PIN LOWER HITCH 7/8X3 1/16USBL		
32. 806-048C	U-BOLT 1/2-13 X2 7/8X2 1/16SPL		
33. 816-504C	MANUAL STORAGE CONTAINER		

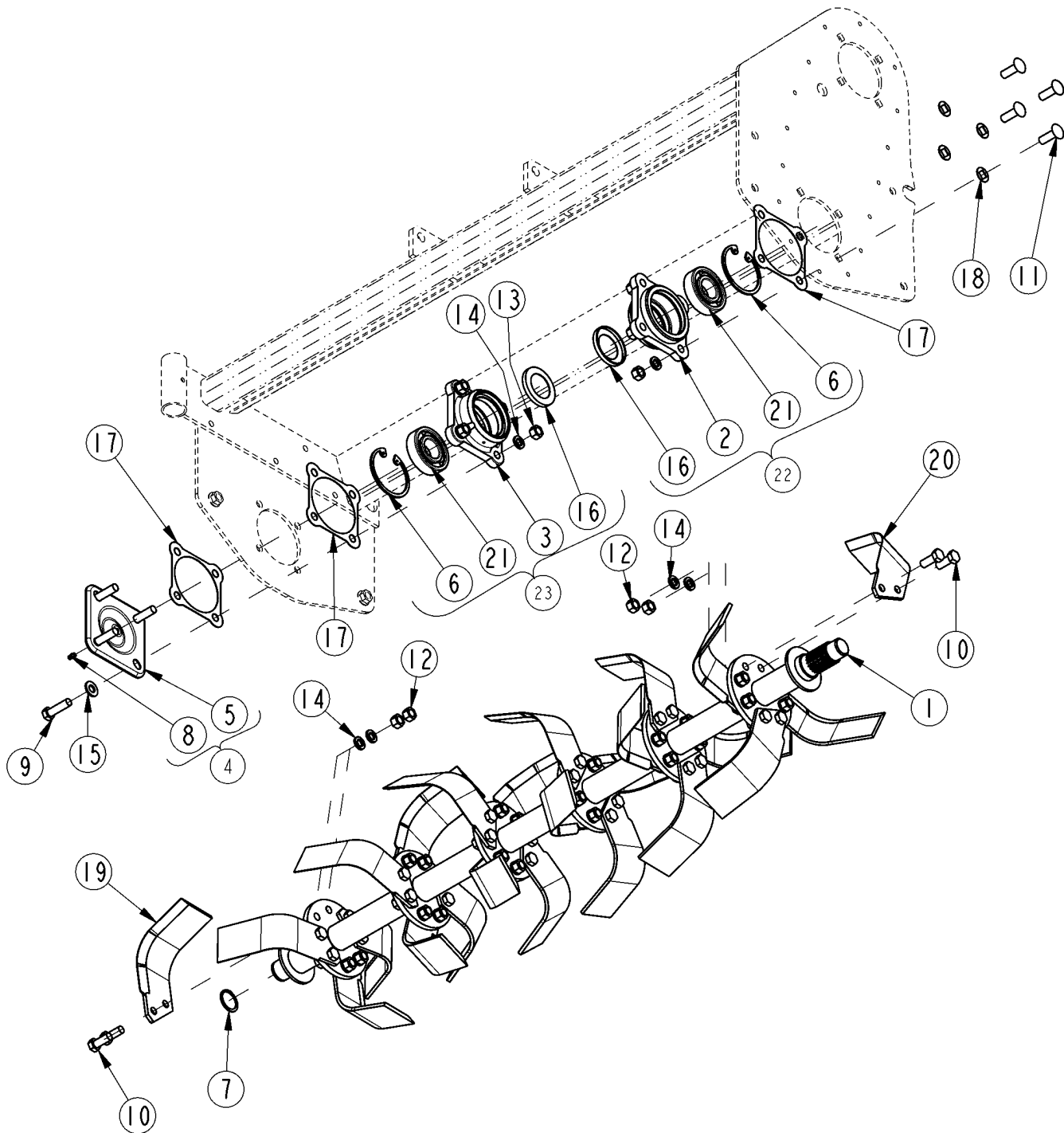
Frame and Hitch (continued)

Applies to RTA1242 S/N 884764-, RTA1250 S/N 884764-, RTA1258 S/N 884764-, RTA1266 S/N 884764-,
RTA1274 S/N 884764-

This Page Intentionally Left Blank

Rotor Assembly

Applies to RTA1242 S/N 884764-, RTA1250 S/N 884764-, RTA1258 S/N 884764-, RTA1266 S/N 884764-, RTA1274 S/N 884764-



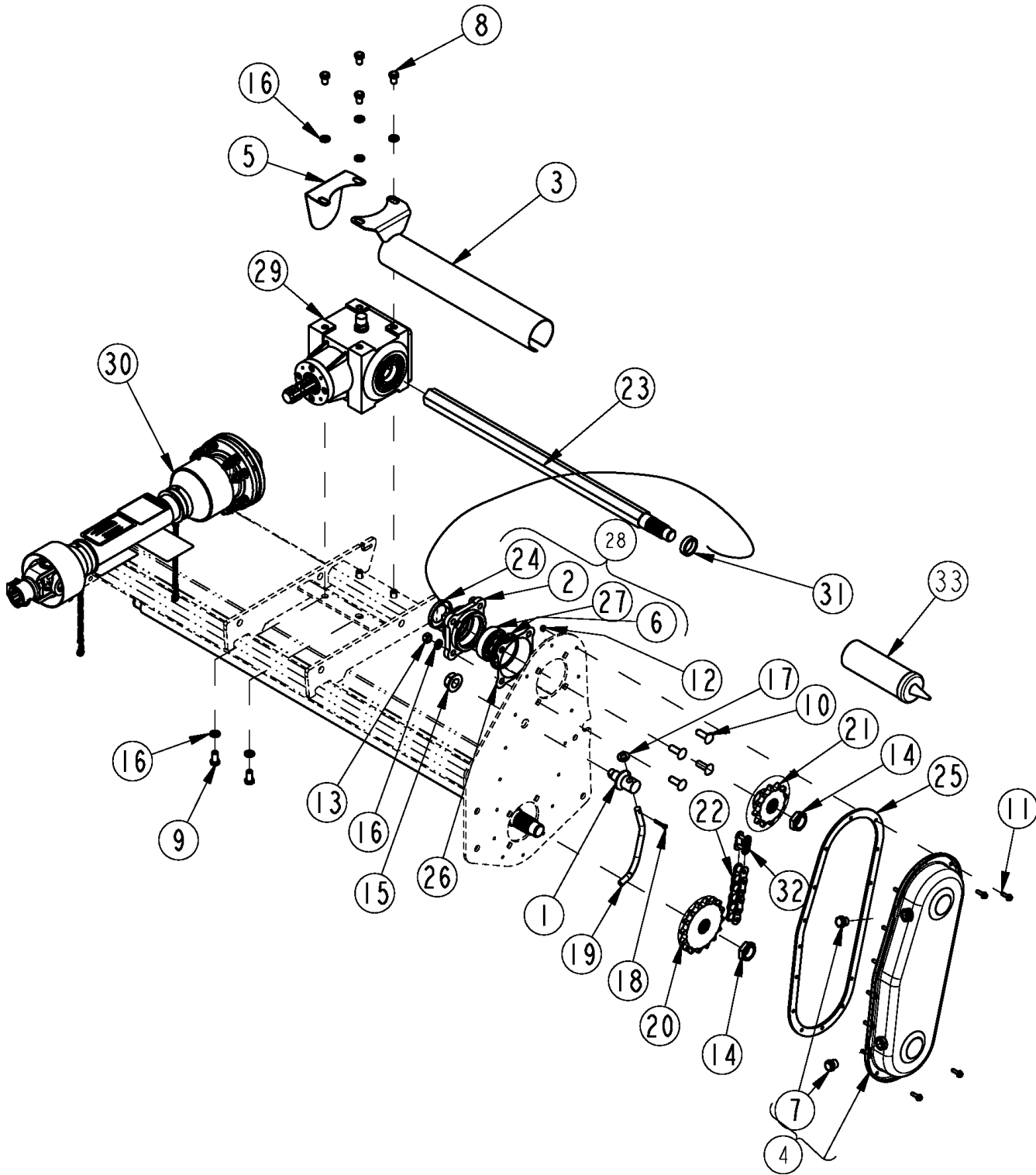
Rotor Assembly

Applies to RTA1242 S/N 884764-, RTA1250 S/N 884764-, RTA1258 S/N 884764-, RTA1266 S/N 884764-,

Part No.	Part Description	Comments	Revision
	dwg30369	Drawing Image Number	
1.	311-003H	ROTOR SHAFT WELDMENT RTA1042	
1.	311-002H	ROTOR SHAFT WELDMENT 1050	
1.	311-038H	ROTOR SHAFT WELDMENT RTA1058	
1.	311-786H	WLDMNT, 12 SERIES 66" ROTOR	
1.	311-784H	WLDMNT, 12 SERIES 74" ROTOR	
2.	311-014D	HSG DRIVE UPPR RTA/RTR/OS MACH	
3.	311-042D	HSG NON-DR LWR RTA/RTR/OS MACH	
4.	311-135S	CVR NON-DRV LWR W/ZRK RTA/R	
4.	311-135S81	CVR NON-DRV LWR W/ZRK GREEN	
4.	311-135S82	CVR NON-DRV LWR W/ZRK ORANGE	
4.	311-135S83	CVR NON-DRV LWR W/ZRK RED	
5.	311-205D	COVER NON-DRV LWR	
5.	311-205D81	COVER NON-DRV LWR GREEN	
5.	311-205D82	COVER NON-DRV LWR ORANG	
5.	311-205D83	COVER NON-DRV LWR RED	
6.	800-053C	SNAP RING INT3.523OD N5000-315	
7.	800-079C	SNAP RING EXT 1 3/8 5100-137	
8.	800-080C	GREASE ZERK 1/4-28 THD FORMING	
9.	802-082C	HHCS 1/2-13X1 3/4 GR5	
10.	802-248C	SP TINE HHCS 1/2-20X1 1/4 GR5	
11.	802-477C	RHSSNB 1/2-13X1 1/2 GR5	
12.	803-018C	NUT HEX 1/2-20 PLT	
13.	803-020C	NUT HEX 1/2-13 PLT	
14.	804-015C	WASHER LOCK SPRING 1/2 PLT	
15.	804-094C	WASHER FLAT 1/2 HARD ASTM F436	
16.	816-068C	SEAL 1.75 X 2.75 X .313	
17.	816-070C	GASKET HSG 10/15 TILLER	
18.	816-280C	GASKET 1.03OD.515SQ.HL1/32THK	
19.	820-055C	BLADE TILLER 10 & 15 SERIES LH	RTA1242 10 Total, RTA1250 12Total, RTA1258 14 Total, RTA1266 16 Total & RTA1274 18 Total
20.	820-056C	BLADE TILLER 10 & 15 SERIES RH	RTA1242 10 Total, RTA1250 12Total, RTA1258 14 Total, RTA1266 16 Total & RTA1274 18 Total
21.	822-082C	BRG BALL 1.37ID X 3.14OD X .82 307	
22.	822-254C	HSG, 1.37ID X 4 BOLT, 1.75 SEAL	
23.	822-255C	HSG, 1.37ID X 4 BOLT, 1.75 SEAL	

Drive Components

Applies to RTA1242 S/N 884764-, RTA1250 S/N 884764-, RTA1258 S/N 884764-, RTA1266 S/N 884764-, RTA1274 S/N 884764-



30373

Drive Components

Applies to RTA1242 S/N 884764-, RTA1250 S/N 884764-, RTA1258 S/N 884764-, RTA1266 S/N 884764-,

Part No.	Part Description	Comments	Revision
dwg30373	Drawing Image Number		
1. 308-171D	CHAIN TENSIONER ADJUSTER		
2. 311-014D	HSG DRIVE UPPR RTA/RTR/OS MACH		
3. 311-440H	DRIVE SHAFT GUARD WELDMENT	RTA1242	
3. 311-440H81	DRIVE SHAFT GUARD WLD GREEN		
3. 311-440H82	DRIVE SHAFT GUARD WLD ORANGE		
3. 311-440H83	DRIVE SHAFT GUARD WLD RED		
3. 311-446H	DRIVE SHAFT GUARD WELDMENT	RTA1250	
3. 311-446H81	DRIVE SHAFT GUARD WELDMENT GREEN		
3. 311-446H82	DRIVE SHAFT GUARD WELDMENT ORANGE		
3. 311-446H83	DRIVE SHAFT GUARD WELDMENT RED		
3. 311-450H	DRIVE SHAFT GUARD WELDMENT	RTA1258	
3. 311-450H81	DRIVE SHAFT GUARD WLD GREEN		
3. 311-450H82	DRIVE SHAFT GUARD WLD ORANGE		
3. 311-450H83	DRIVE SHAFT GUARD WLD RED		
3. 311-751H	WLDNMT, 66" DRIVE SHAFT GUARD	RTA1266	
3. 311-751H81	WLDNMT, 66" DRIVE SHAFT GUARD GREEN		
3. 311-751H82	WLDNMT, 66" DRIVE SHAFT GUARD ORANGE		
3. 311-751H83	WLDNMT, 66" DRIVE SHAFT GUARD RED		
3. 311-752H	WLDNMT, 74" DRIVE SHAFT GUARD	RTA1274	
3. 311-752H81	WLDNMT, 74" DRIVE SHAFT GUARD GREEN		
3. 311-752H82	WLDNMT, 74" DRIVE SHAFT GUARD ORANGE		
3. 311-752H83	WLDNMT, 74" DRIVE SHAFT GUARD RED		
4. 311-721S	ASSY, 10/15 TILLER CHAIN CASE		
4. 311-721S81	ASSY, 10/15 TILLER CHAIN CASE GREEN		
4. 311-721S82	ASSY, 10/15 TILLER CHAIN CASE ORANGE		
4. 311-721S83	ASSY, 10/15 TILLER CHAIN CASE RED		
5. 311-583D	DRIVE COVER		
5. 311-583D81	DRIVE COVER GREEN		
5. 311-583D82	DRIVE COVER ORANGE		
5. 311-583D83	DRIVE COVER RED		
6. 800-053C	SNAP RING INT3.523OD N5000-315		
7. 800-066C	DRAIN PLUG 3/4-16 UNF PLATED		
8. 802-032C	HHCS 1/2-13X3/4 GR5		
9. 802-258C	HHCS 1/2-13X1 GR5		
10. 802-477C	RHSSNB 1/2-13X1 1/2 GR5		
11. 802-719C	HFSS 1/4-20X7/8 GR5		
12. 803-007C	NUT LOCK 1/4-20 PLT		
13. 803-020C	NUT HEX 1/2-13 PLT		
14. 803-153C	NUT LT JAM 1 1/8-12 NYLN INSRT		
15. 803-157C	NUT HEX FLANGE 7/8-14 UNF PLT		
16. 804-015C	WASHER LOCK SPRING 1/2 PLT		
17. 804-016C	WASHER FLAT 1/2 SAE PLT		
18. 805-069C	PIN COTTER 3/16 X 1		
19. 807-062C	CHAIN TIGHTENER 10/15 TILR		
20. 808-082C	SPKT 80B16 1 3/8-21 SPLINE		
21. 808-092C	SPKT 80B12 1 3/8-21		
22. 809-232C	CHAIN RL #80X44 PITCH HT		
23. 815-254C	DRIVE SHAFT RTR1042	RTA1242	
23. 815-254C81	DRIVE SHAFT RTR1042 GREEN		
23. 815-254C82	DRIVE SHAFT RTR1042 ORANGE		
23. 815-254C83	DRIVE SHAFT RTR1042 RED		
23. 815-028C	DRIVE SHAFT 1550 TILLER	RTA1250	
23. 815-028C81	DRIVE SHAFT 1550 TILLER GREEN		
23. 815-028C82	DRIVE SHAFT 1550 TILLER ORANGE		
23. 815-028C83	DRIVE SHAFT 1550 TILLER RED		
23. 815-027C	SHAFT, 1.5X35.63 HEX DRIVE	RTA1258	
23. 815-027C81	SHAFT, 1.5X35.63 HEX DRIVE GREEN		

Drive Components (continued)

Applies to RTA1242 S/N 884764-, RTA1250 S/N 884764-, RTA1258 S/N 884764-, RTA1266 S/N 884764-, RTA1274

S/N	Part No.	Part Description	Comments	Revision
23.	815-027C82	SHAFT, 1.5X35.63 HEX DRIVE ORANGE		
23.	815-027C83	SHAFT, 1.5X35.63 HEX DRIVE RED		
23.	815-362C	SHAFT, 1.5X39.63 HEX DRIVE	RTA1266	
23.	815-362C81	SHAFT, 1.5X39.63 HEX DRIVE GREEN		
23.	815-362C82	SHAFT, 1.5X39.63 HEX DRIVE ORANGE		
23.	815-362C83	SHAFT, 1.5X39.63 HEX DRIVE RED		
23.	815-363C	SHAFT, 1.5X43.63 HEX DRIVE	RTA1274	
23.	815-363C81	SHAFT, 1.5X43.63 HEX DRIVE GREEN		
23.	815-363C82	SHAFT, 1.5X43.63 HEX DRIVE ORANGE		
23.	815-363C83	SHAFT, 1.5X43.63 HEX DRIVE RED		
24.	816-068C	SEAL 1.75 X 2.75 X .313		
25.	816-069C	GASKET CHAIN GRD 10/15 TILR		
26.	816-070C	GASKET HSG 10/15 TILLER		
27.	822-082C	BRG BALL 1.37IDX3.14ODX.82 307		
28.	822-254C	HSG, 1.37ID X 4 BOLT,1.75 SEAL		
29.	826-678C	GEARBOX, 1.92:1 RATIO HEX BORE		
30.	311-753A	DRVLN, 12 SERIES SLIP CLTCH		
31.	311-054D	SPACER 1.38IDX1.75ODX.50L PLT		
32.	809-089C	CONNECTOR #80 HIGH TENSILE		
33.	821-045C	GRS SHELL GADUS S2 V22000 32OZ		

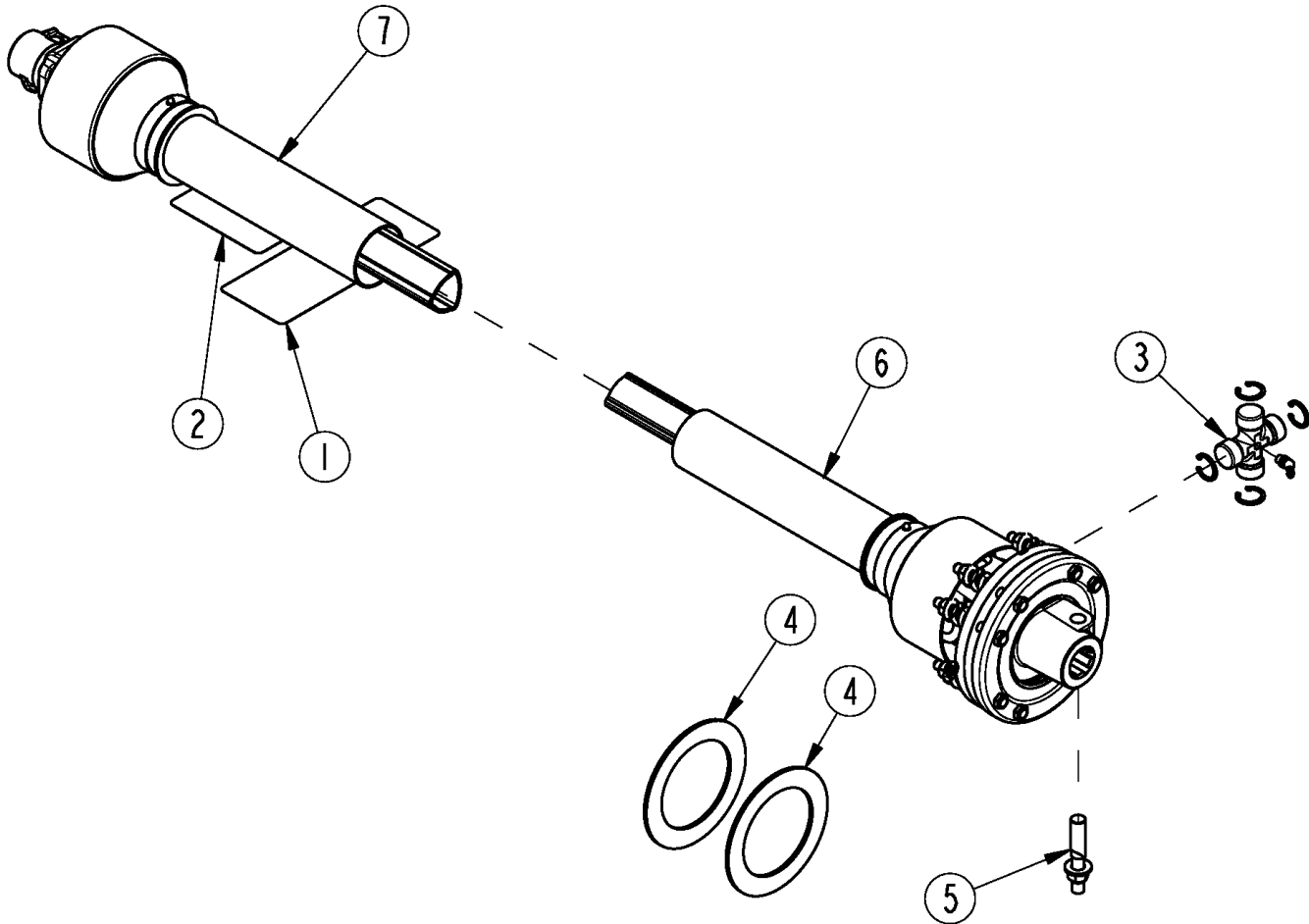
Drive Components (continued)

Applies to RTA1242 S/N 884764-, RTA1250 S/N 884764-, RTA1258 S/N 884764-, RTA1266 S/N 884764-, RTA1274 S/N 884764-

This Page Intentionally Left Blank

Driveline W/ Slip Clutch (311-753A)

Applies to RTA1242 S/N 884764-, RTA1250 S/N 884764-, RTA1258 S/N 884764-, RTA1266 S/N 884764-, RTA1274 S/N 884764-



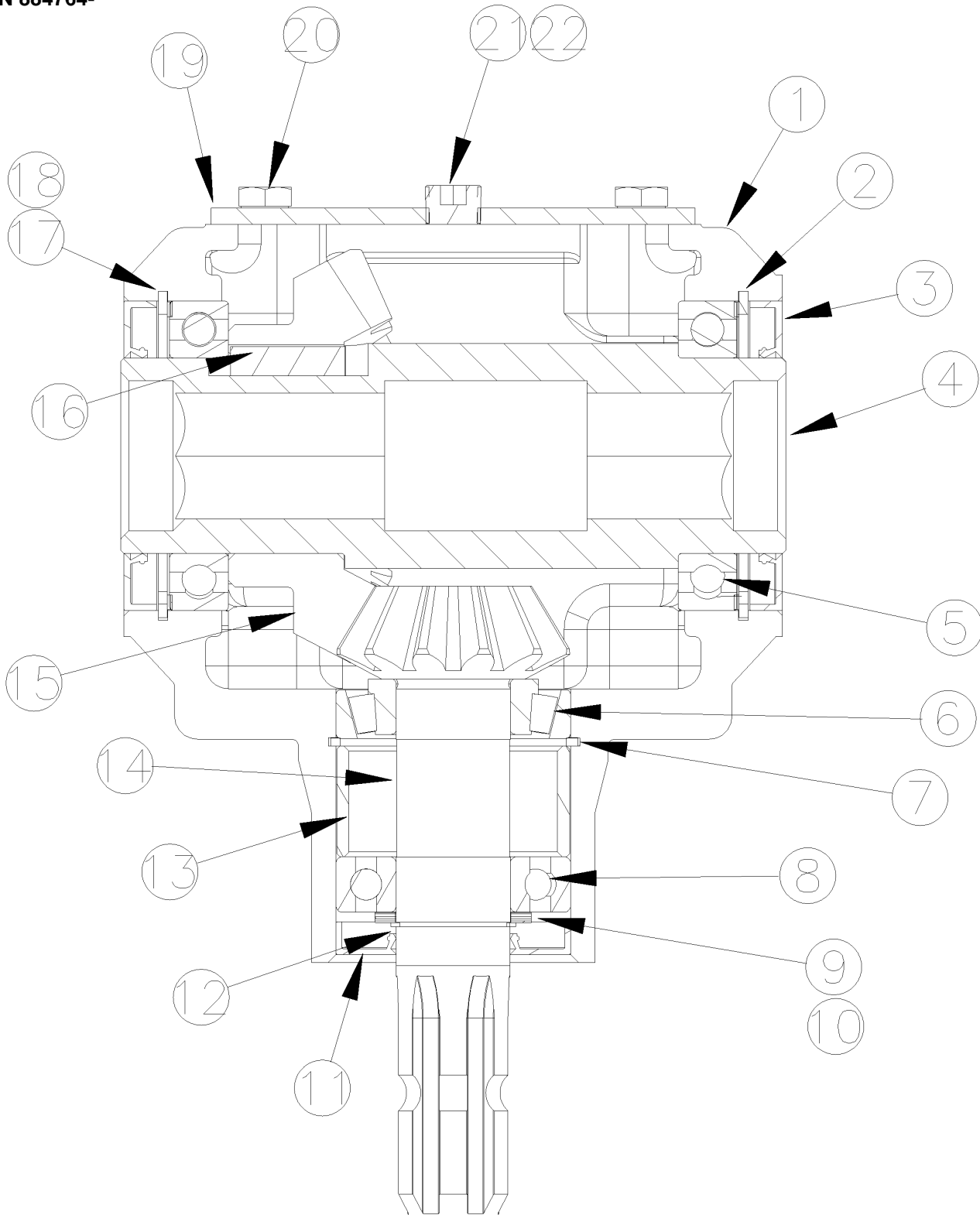
30376

Driveline W/ Slip Clutch (311-753A)**Applies to RTA1242 S/N 884764-, RTA1250 S/N 884764-, RTA1258 S/N 884764-, RTA1266 S/N 884764-,**

Ref	Part No	Part Description	Comments	Revision
	dwg30376	Drawing Image Number		
	311-753A	DRVLN, 12 SERIES SLIP CLTCH *		
1.	818-540C	DECAL DANGER GUARD MISS PTO		
2.	818-552C	DECAL DANGER PTO DRIVELINE		
3.	1004020	EC CROSS ASSEMBLY (U JOINT)		
4.	GRI-4SC003	VULCAN FRICTION DISC		
5.	GRI-4SP004	BOLT, CONICAL DOG		
6.	311-790A	DRVLN, 311-753A REAR HALF		
7.	311-789A	DRVLN, 311-753A FRONT HALF		

Gearbox (826-678C) SD

Applies to RTA1242 S/N 884764-, RTA1250 S/N 884764-, RTA1258 S/N 884764-, RTA1266 S/N 884764-, RTA1274 S/N 884764-



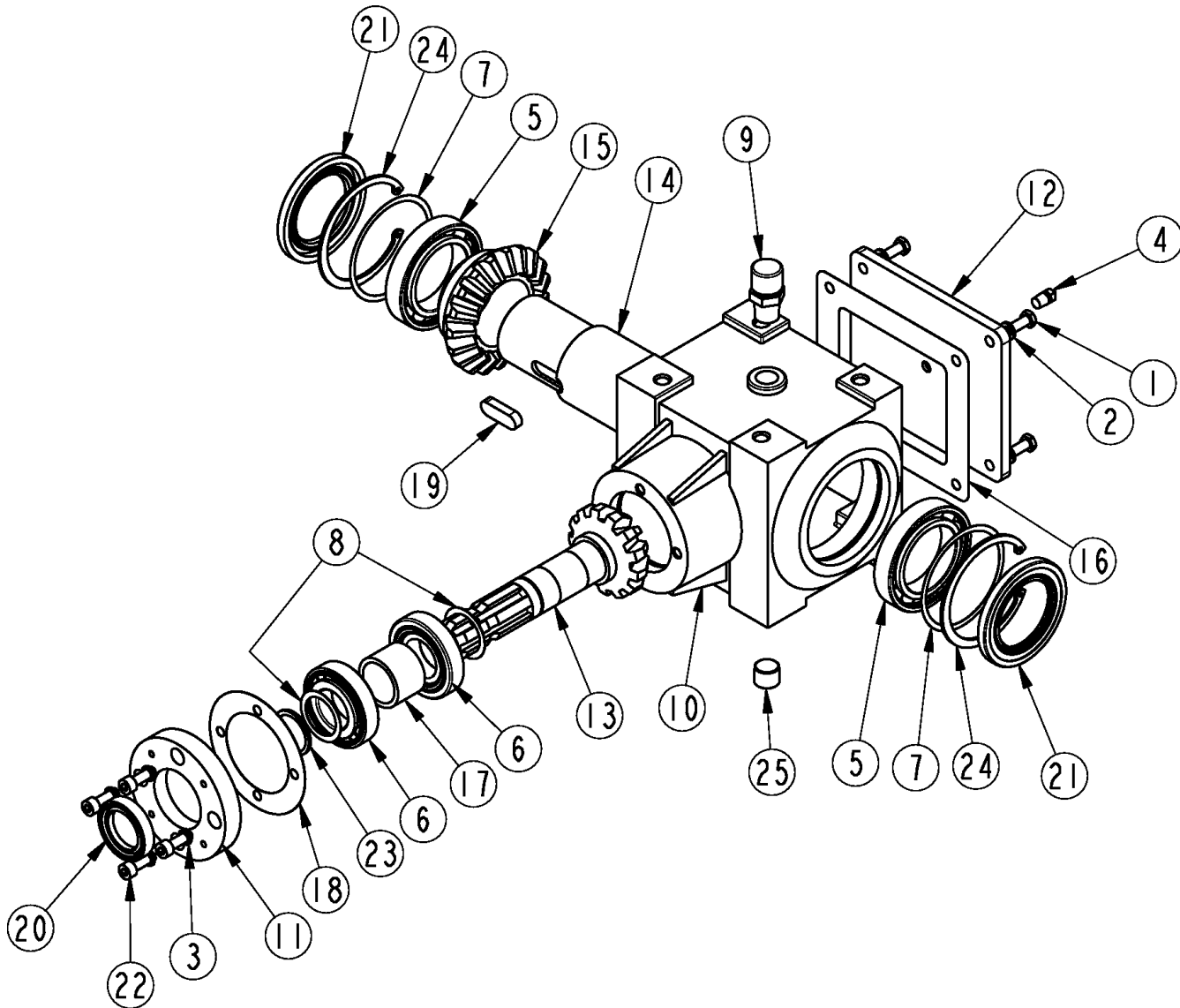
35111

Gearbox (826-678C) SD**Applies to RTA1242 S/N 884764-, RTA1250 S/N 884764-, RTA1258 S/N 884764-, RTA1266 S/N 884764-,**

Part No.	Part Description	Comments	Revision
dwg35111	Drawing Image Number		
826-678C	GEARBOX, 1.92:1 RATIO HEX BORE		
1. 18-218	SD GB HOUSING		
2. 21-104	SD 95 RETAINING RING		
3. 0.267.7104.00	CO SEAL DOUBLE LIP 60X95X10		
4. 02-341	SD OUTPUT SHAFT		
5. 04-211	SD 60X95X18 BALL BRG		
6. 04-081	SD 30207 TAPERED BRG		
7. 21-004	ITG RETAINING RING		
8. 822-166C	BRG BALL 1.37IDX2.83OD 6207		
9. 17-103	SD SHIM (0.50)		
10. 17-104	SD SHIM (0.70)		
11. 05-010	ITG INPUT SEAL		
12. 21-105	SD 35DIA EXT RETAINING RING		
13. 10-216	SD OUTPUT SPACER		
14. 03-348	SD 12 TOOTH PINION & SHAFT		
15. 03-349	SD 23 TOOTH GEAR		
16. 14-102	SD 14X9X35 KEY		
17. 17-101	SD OUTPUT SHIM (0.50)		
18. 17-102	SD OUTPUT SHIM (1.0)		
19. 20-217	SD INSPECTION CAP		
20. 06-010	SD M10X1.5X20 HEX HEAD BOLT		
21. 09-052	SD 3/8-19NPT SQ HEAD PLUG	2 Required	
22. 09-107	SD 3/8-18 NPT BREATHER PLUG	1 Required	

Gearbox (826-678C) Vulcan

Applies to RTA1242 S/N 884764-, RTA1250 S/N 884764-, RTA1258 S/N 884764-, RTA1266 S/N 884764-, RTA1274 S/N 884764-

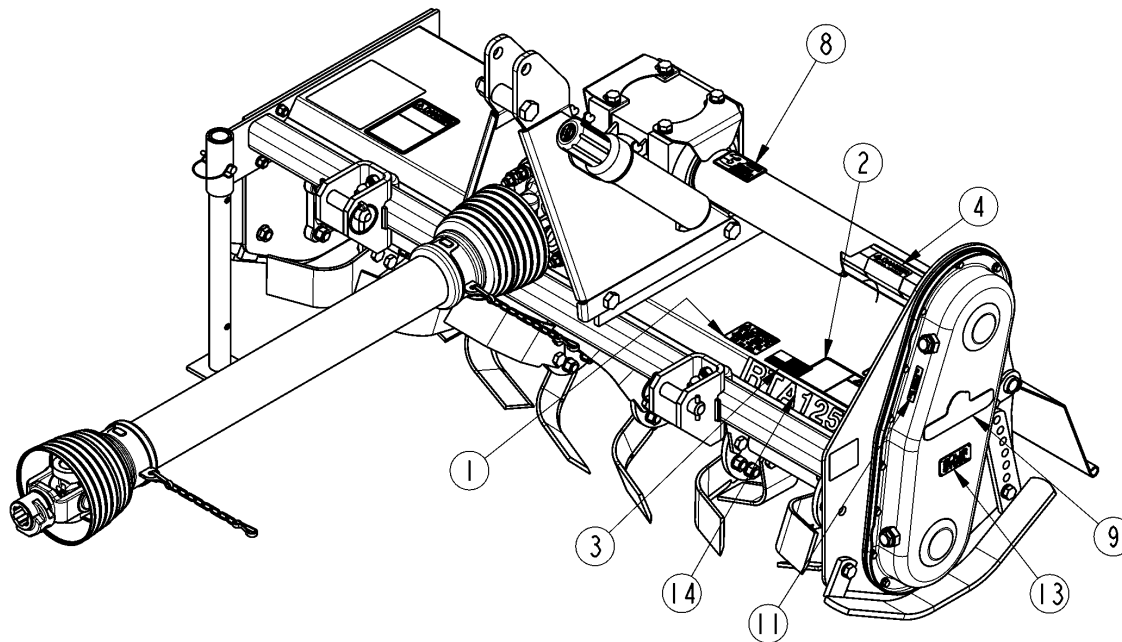
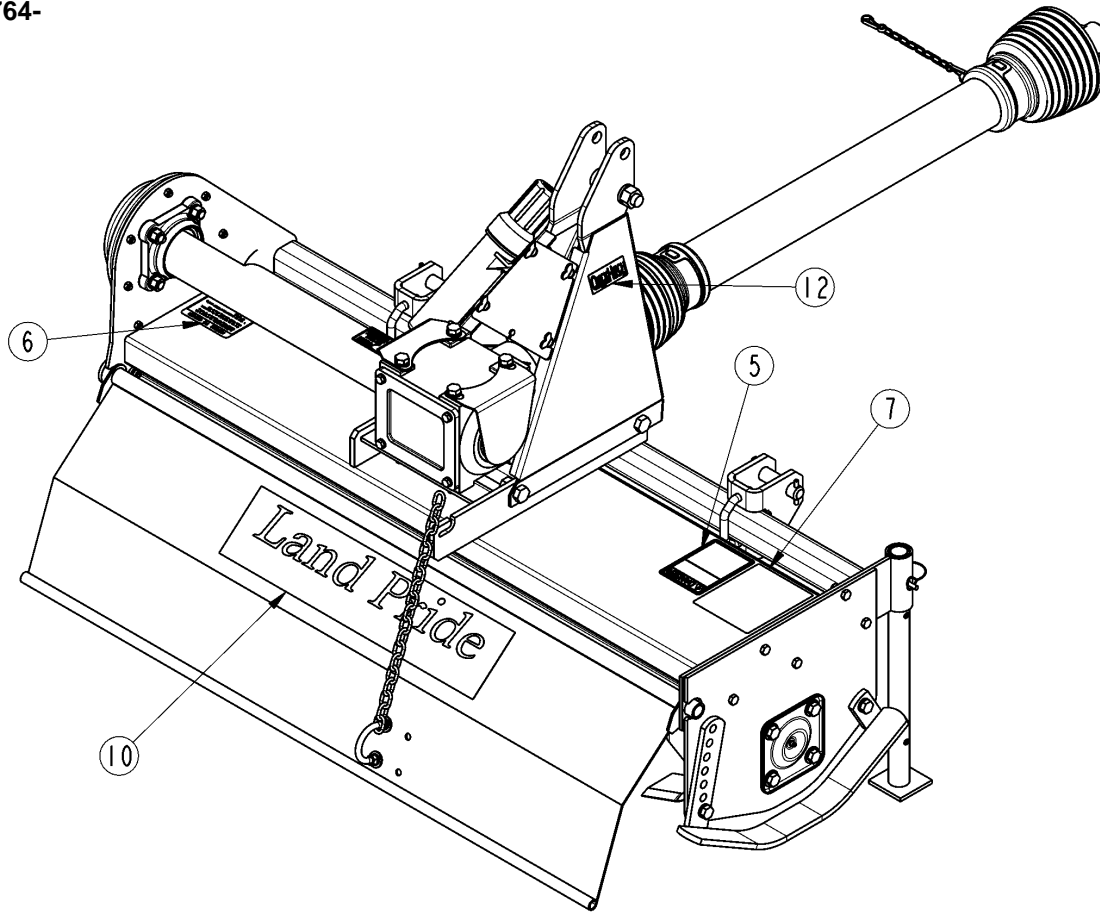


Gearbox (826-678C) Vulcan**Applies to RTA1242 S/N 884764-, RTA1250 S/N 884764-, RTA1258 S/N 884764-, RTA1266 S/N 884764-,**

Part No.	Part Description	Comments	Revision
dwg30375	Drawing Image Number		
826-678C	GEARBOX, 1.92:1 RATIO HEX BORE *		
1.	802-010C	HHCS 5/16-18X1 1/4 GR5	
2.	804-009C	WASHER LOCK SPRING 5/16 PLT	
3.	804-157C	WASHER SPRING LOCK M8 PLT	
4.	811-768C	1/8 NPT SQ HD PIPE PLUG	
5.	822-165C	BRG BALL 2.36IDX3.74OD 6012	
6.	822-167C	BRG ROLLER 1.37IDX2.83OD SET	
7.	891-260C	SHIM KIT, COMER	
8.	A.259.500	CO ADJUST SPACER KIT, 35.3 X48	
9.	H-502	PLUG, 1/2" - 14 PRESS RELIEF	
10.	H-C0111	HOUSING, GEARBOX	
11.	H-C0112	CAP, GEARBOX INPUT	
12.	H-C0113	COVER, GEARBOX REAR	
13.	H-C0121	SHAFT, GEARBOX INPUT	
14.	H-C0122	SHAFT, GEARBOX OUTPUT	
15.	H-C0123	GEAR, OUTPUT	
16.	H-C0143	GASKET, GEARBOX REAR COVER	
17.	H-C0151	SPACER, INPUT SHAFT	
18.	H-C1041	GASKET, GEARBOX INPUT CAP	
19.	S-122	KEY, 40X14X7.5	
20.	S-201	SEAL, 35X54X11 RADIAL	
21.	S-209	SEAL, 60X95X8 RADIAL	
22.	S-305	HSHCS M8X1.25X25	
23.	S-403	RING, 38X33X1.7 EXTERNAL	
24.	S-406	RING, 95X2.5 INTERNAL SNAP	
25.	S-504	PLUG, 1/2" - 14 HS PIPE	

Label Placement

Applies to RTA1242 S/N 884764-, RTA1250 S/N 884764-, RTA1258 S/N 884764-, RTA1266 S/N 884764-, RTA1274 S/N 884764-



30374

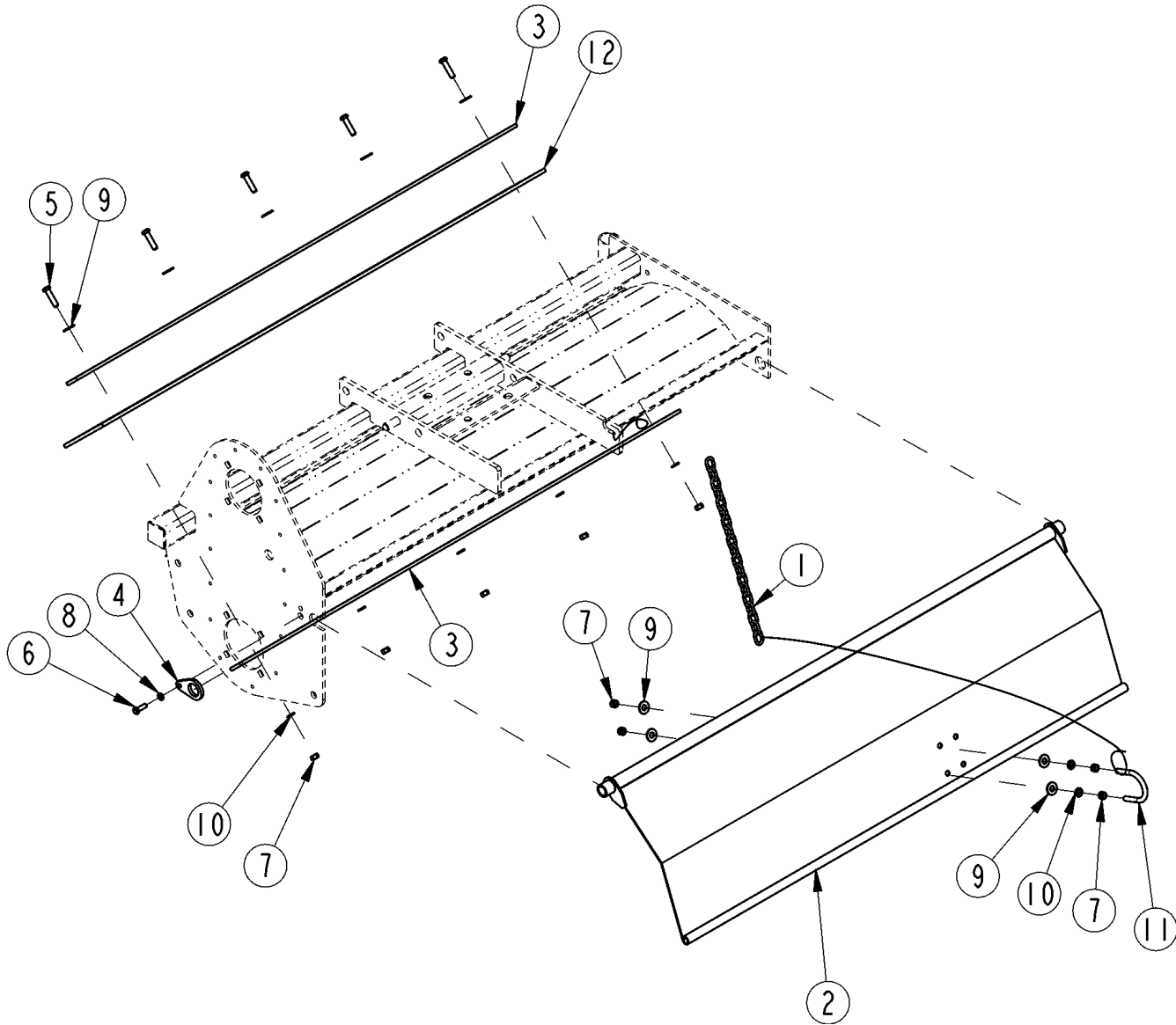
Label Placement

Applies to RTA1242 S/N 884764-, RTA1250 S/N 884764-, RTA1258 S/N 884764-, RTA1266 S/N 884764-,
RTA1274 S/N 884764-

Part No.	Part Description	Comments	Revision
dwg30374	Drawing Image Number		
1. 818-130C	DECAL CAUTION 540 RPM		
2. 818-171C	DECAL DANGER ROTATING TINES		
3. 818-190C	DECAL FLAG		
4. 818-543C	DECAL DANGER PD GUARD MISS SML		
5. 818-552C	DECAL DANGER PTO DRIVELINE		
6. 818-560C	DECAL NOTICE TO OWNER-NO WARRA		
7. 818-858C	DECAL CAUTION GENERAL SAFTEY		
8. 838-862C	DECAL 3 YEAR GEARBOX WARRANTY		
9. 818-896C	DECAL LP W/TREE 6" - 2 COLOR	Beige	
9. 838-968C	DECAL LP 6 W/TREE BROWN/GOLD	Green, Orange & Red	
10. 818-907C	DECAL LANDPRIDE 22" - BROWN	Beige	
10. 838-966C	DECAL LANDPRIDE 22" BROWN/GOLD	Green, Orange & Red	
11. 838-415C	DECAL SHELL GADUS S2 V220 00		
12. 838-517C	DECAL QUICK HITCH SYSTEM		
13. 838-537C	DECAL SOLID ROTOR SHAFT STEEL		
14. 848-641C	DECAL RTA1242 BROWN	Beige	
14. 848-640C	DECAL RTA1242 GOLD	Green, Orange & Red	
14. 848-643C	DECAL RTA1250 BROWN	Beige	
14. 848-642C	DECAL RTA1250 GOLD	Green, Orange & Red	
14. 848-645C	DECAL RTA1258 BROWN	Beige	
14. 848-644C	DECAL RTA1258 GOLD	Green, Orange & Red	
14. 848-647C	DECAL RTA1266 BROWN	Beige	
14. 848-646C	DECAL RTA1266 GOLD	Green, Orange & Red	
14. 848-649C	DECAL RTA1274 BROWN	Beige	
14. 848-648C	DECAL RTA1274 GOLD	Green, Orange & Red	

Deflector Front and Rear

Applies to RTR1242 S/N 884764-, RTR1250 S/N 884764-, RTR1258 S/N 884764-, RTR1266 S/N 884764-, RTR1274 S/N 884764-



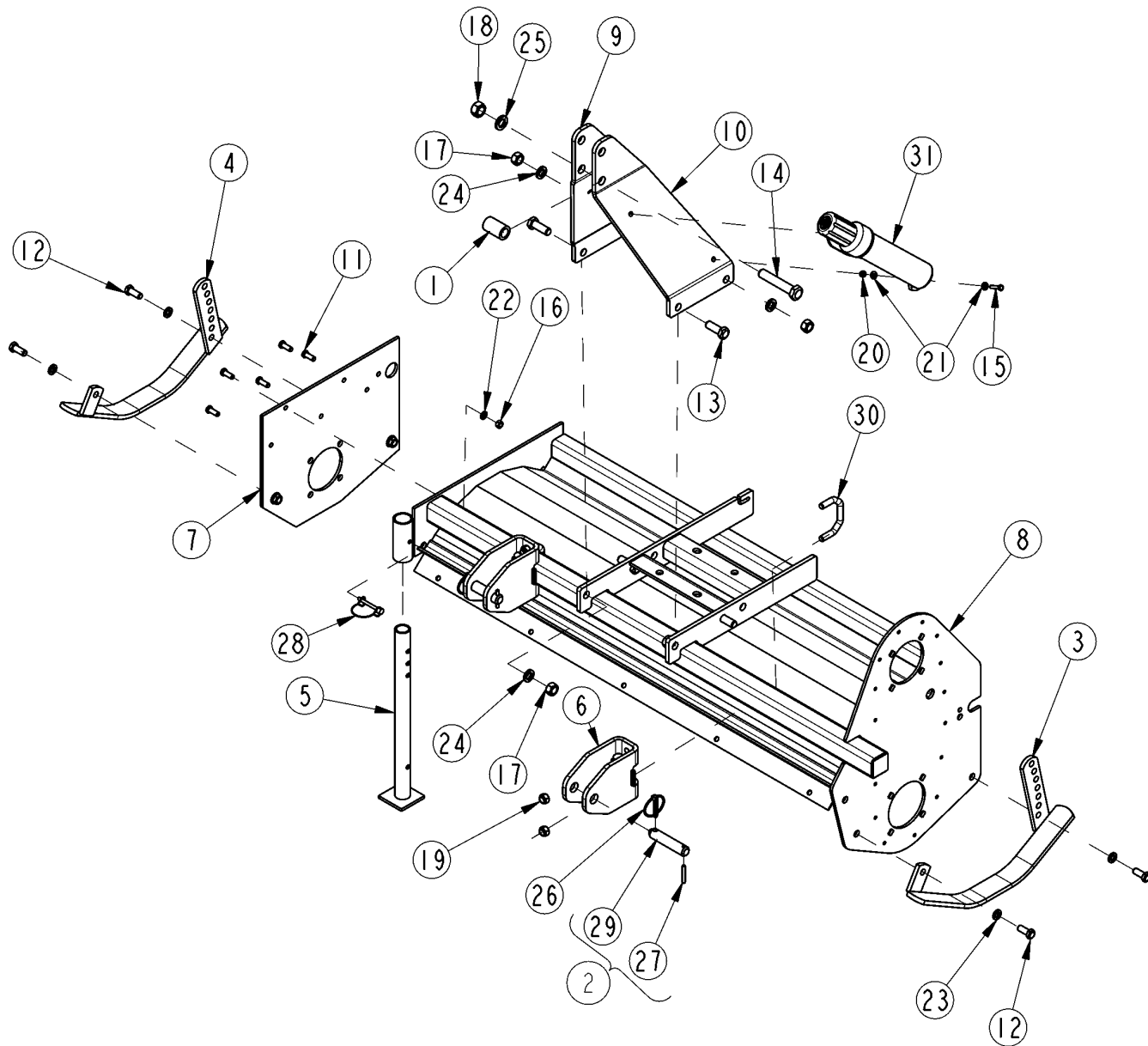
30378

Deflector Front and Rear**Applies to RTR1242 S/N 884764-, RTR1250 S/N 884764-, RTR1258 S/N 884764-, RTR1266 S/N 884764-,**

Part No.	Part Description	Comments	Revision
	dwg30378	Drawing Image Number	
1.	311-077D	REAR DEFLECTOR CHAIN 10/15	
2.	311-430H	TAILGATE WELDMENT	RTR1242
2.	311-430H81	TAILGATE WELDMENT GREEN	
2.	311-430H82	TAILGATE WELDMENT ORANGE	
2.	311-430H83	TAILGATE WELDMENT RED	
2.	311-445H	TAILGATE WELDMENT	RTR1250
2.	311-445H81	TAILGATE WELDMENT GREEN	
2.	311-445H82	TAILGATE WELDMENT ORANGE	
2.	311-445H83	TAILGATE WELDMENT RED	
2.	311-449H	TAILGATE WELDMENT	RTR1258
2.	311-449H81	TAILGATE WELDMENT GREEN	
2.	311-449H82	TAILGATE WELDMENT ORANGE	
2.	311-449H83	TAILGATE WELDMENT RED	
2.	311-699H	WLDMNT, 15 SERIES 66" TAILGATE	RTR1266
2.	311-699H81	WLDMNT, GREEN 66" TAILGATE	
2.	311-699H82	WLDMNT, ORANGE 66" TAILGATE	
2.	311-699H83	WLDMNT, RED 66" TAILGATE	
2.	311-700H	WLDMNT, 15 SERIES 74" TAILGATE	RTR1274
2.	311-700H81	WLDMNT, GREEN 74" TAILGATE	
2.	311-700H82	WLDMNT, ORANGE 74" TAILGATE	
2.	311-700H83	WLDMNT, RED 74" TAILGATE	
3.	311-565D	FRONT DEFLECTOR MOUNT BAR	RTR1242
3.	311-577D	FRONT DEFLECTOR MOUNT BAR	RTR1250
3.	311-566D	FRONT DEFLECTOR MOUNT BAR	RTR1258
3.	311-754D	BAR, 66" RTR FRONT DEFLECTOR	RTR1266
3.	311-755D	BAR, 74" RTR FRONT DEFLECTOR	RTR1274
4.	311-663D	TAILGATE LOCK 10 & 15 SERIES	
5.	802-022C	HHCS 3/8-16X1 1/2 GR5	
6.	802-738C	HHCS 5/16-18X1 GR5 ZNYCR	
7.	803-014C	NUT HEX 3/8-16 PLT	
8.	804-009C	WASHER LOCK SPRING 5/16 PLT	
9.	804-011C	WASHER FLAT 3/8 USS PLT	
10.	804-013C	WASHER LOCK SPRING 3/8 PLT	
11.	806-049C	U-BOLT 3/8-16 X2 1/32X2 5/8SPL	
12.	816-463C	FRONT DEFLECTOR	RTR1242
12.	816-472C	FRONT DEFLECTOR	RTR1250
12.	816-462C	FRONT DEFLECTOR	RTR1258
12.	816-659C	DEFLECTOR, 66" RTR FRONT	RTR1266
12.	816-660C	DEFLECTOR, 74" RTR FRONT	RTR1274

Frame and Hitch

Applies to RTR1242 S/N 884764-, RTR1250 S/N 884764-, RTR1258 S/N 884764-, RTR1266 S/N 884764-, RTR1274 S/N 884764-



30379

Frame and Hitch**Applies to RTR1242 S/N 884764-, RTR1250 S/N 884764-, RTR1258 S/N 884764-, RTR1266 S/N 884764-,**

Part No.	Part Description	Comments	Revision
	dwg30379	Drawing Image Number	
1.	308-400D	SPACER 1 1/4OD X 13/16ID X 2LG	
2.	310-020S	LOWER HITCH PIN	
3.	311-006H	LH SKIDSHOE RTA10/15/20 RTR20	
3.	311-006H81	LH SKIDSHOE GREEN	
3.	311-006H82	LH SKIDSHOE ORANGE	
3.	311-006H83	LH SKIDSHOE RED	
4.	311-007H	RH SKIDSHOE RTA10/15/20 RTR20	
4.	311-007H81	RH SKIDSHOE GREEN	
4.	311-007H82	RH SKIDSHOE ORANGE	
4.	311-007H83	RH SKIDSHOE RED	
5.	311-014H	STAND LEG RTA10/15/20 RTR20	
5.	311-014H81	STAND LEG GREEN	
5.	311-014H82	STAND LEG ORANGE	
5.	311-014H83	STAND LEG RED	
6.	311-792H	WLDMNT, HITCH LOWER	S/N 717289+
6.	311-792H81	WLDMNT, HITCH LOWER GREEN	
6.	311-792H82	WLDMNT, HITCH LOWER ORANGE	
6.	311-792H83	WLDMNT, HITCH LOWER RD	
6.	311-418H	LOWER HITCH WELDMENT	S/N 717288-
6.	311-418H81	LOWER HITCH WELDMENT GREEN	
6.	311-418H82	LOWER HITCH WELDMENT ORANGE	
6.	311-418H83	LOWER HITCH WELDMENT RED	
7.	311-423H	END PLATE WELDMENT RH	
7.	311-423H81	END PLATE WELDMENT RH GREEN	
7.	311-423H82	END PLATE WELDMENT RH ORANGE	
7.	311-423H83	END PLATE WELDMENT RH RED	
8.	311-427H	FRAME WELDMENT	RTR1242
8.	311-427H81	FRAME WELDMENT GREEN	
8.	311-427H82	FRAME WELDMENT ORANGE	
8.	311-427H83	FRAME WELDMENT RED	
8.	311-444H	FRAME WELDMENT	RTR1250
8.	311-444H81	FRAME WELDMENT GREEN	
8.	311-444H82	FRAME WELDMENT ORANGE	
8.	311-444H83	FRAME WELDMENT RED	
8.	311-448H	FRAME WELDMENT	RTR1258
8.	311-448H81	FRAME WELDMENT GREEN	
8.	311-448H82	FRAME WELDMENT ORANGE	
8.	311-448H83	FRAME WELDMENT RED	
8.	311-749H	WLDMNT, 66" RTR10/12 FRAME	RTR1266
8.	311-749H81	WLDMNT, 66" RTR10/12 FRAME GREEN	
8.	311-749H82	WLDMNT, 66" RTR10/12 FRAME ORANGE	
8.	311-749H83	WLDMNT, 66" RTR10/12 FRAME RED	
8.	311-750H	WLDMNT, 74" RTR10/12 FRAME	RTR1274
8.	311-750H81	WLDMNT, 74" RTR10/12 FRAME GREEN	
8.	311-750H82	WLDMNT, 74" RTR10/12 FRAME ORANGE	
8.	311-750H83	WLDMNT, 74" RTR10/12 FRAME RED	
9.	311-779D	PLATE, RTR12 UPPER RH	S/N 795361+
9.	311-779D81	PLATE, RTR12 UPPER RH GREEN	
9.	311-779D82	PLATE, RTR12 UPPER RH ORANGE	
9.	311-779D83	PLATE, RTR12 UPPER RH RED	
9.	311-795A	RTR12 UPPER HITCH PAIR	S/N 717289 to S/N 795360
9.	311-795A81	RTR12 UPPER HITCH PAIR GREEN	
9.	311-795A82	RTR12 UPPER HITCH PAIR ORANGE	
9.	311-795A83	RTR12 UPPER HITCH PAIR RED	
9.	311-538D	HITCH PLATE UPPER RH	S/N 717288-
9.	311-538D81	HITCH PLATE UPPER RH GREEN	
9.	311-538D82	HITCH PLATE UPPER RH ORANGE	

Frame and Hitch (continued)

Applies to RTR1242 S/N 884764-, RTR1250 S/N 884764-, RTR1258 S/N 884764-, RTR1266 S/N 884764-, RTR1274 S/N 884764-

Part No.	Part Description	Comments	Revision
9.	311-538D83 HITCH PLATE UPPER RH RED		
10.	311-778D PLATE, RTR12 UPPER LH	S/N 795361+	
10.	311-778D81 PLATE, RTR12 UPPER LH GREEN		
10.	311-778D82 PLATE, RTR12 UPPER LH ORANGE		
10.	311-778D83 PLATE, RTR12 UPPER LH RED		
10.	311-795A RTR12 UPPER HITCH PAIR	S/N 717289 to S/N 795360	
10.	311-795A81 RTR12 UPPER HITCH PAIR GREEN		
10.	311-795A82 RTR12 UPPER HITCH PAIR ORANGE		
10.	311-795A83 RTR12 UPPER HITCH PAIR RED		
10.	311-539D HITCH PLATE UPPER LH	S/N 717288-	
10.	311-539D81 HITCH PLATE UPPER LH GREEN		
10.	311-539D82 HITCH PLATE UPPER LH ORANGE		
10.	311-539D83 HITCH PLATE UPPER LH RED		
11.	802-017C HHCS 3/8-16X1 GR5		
12.	802-034C HHCS 1/2-13X1 1/4 GR5		
13.	802-053C HHCS 5/8-11X1 3/4 GR5		
14.	802-068C HHCS 3/4-10X4 GR5		
15.	802-224C HHCS 1/4-20X1 1/4 GR5		
16.	803-014C NUT HEX 3/8-16 PLT		
17.	803-021C NUT HEX 5/8-11 PLT		
18.	803-027C NUT HEX 3/4-10 PLT		
19.	803-147C NUT HEX NYLOCK 1/2-13		
20.	803-255C NUT HEX NYLOCK 1/4-20		
21.	804-007C WASHER FLAT 1/4 SAE PLT		
22.	804-013C WASHER LOCK SPRING 3/8 PLT		
23.	804-015C WASHER LOCK SPRING 1/2 PLT		
24.	804-022C WASHER LOCK SPRING 5/8 PLT		
25.	804-023C WASHER LOCK SPRING 3/4 PLT		
26.	805-015C PIN LINCH 5/16 X 1 3/4		
27.	805-041C PIN ROLL 1/4X1 3/4		
28.	805-065C PIN WIRE RETAINING 1/4 X 1 3/4		
29.	805-198C PIN LOWER HITCH 7/8X3 1/16USBL		
30.	806-048C U-BOLT 1/2-13 X2 7/8X2 1/16SPL		
31.	816-504C MANUAL STORAGE CONTAINER		

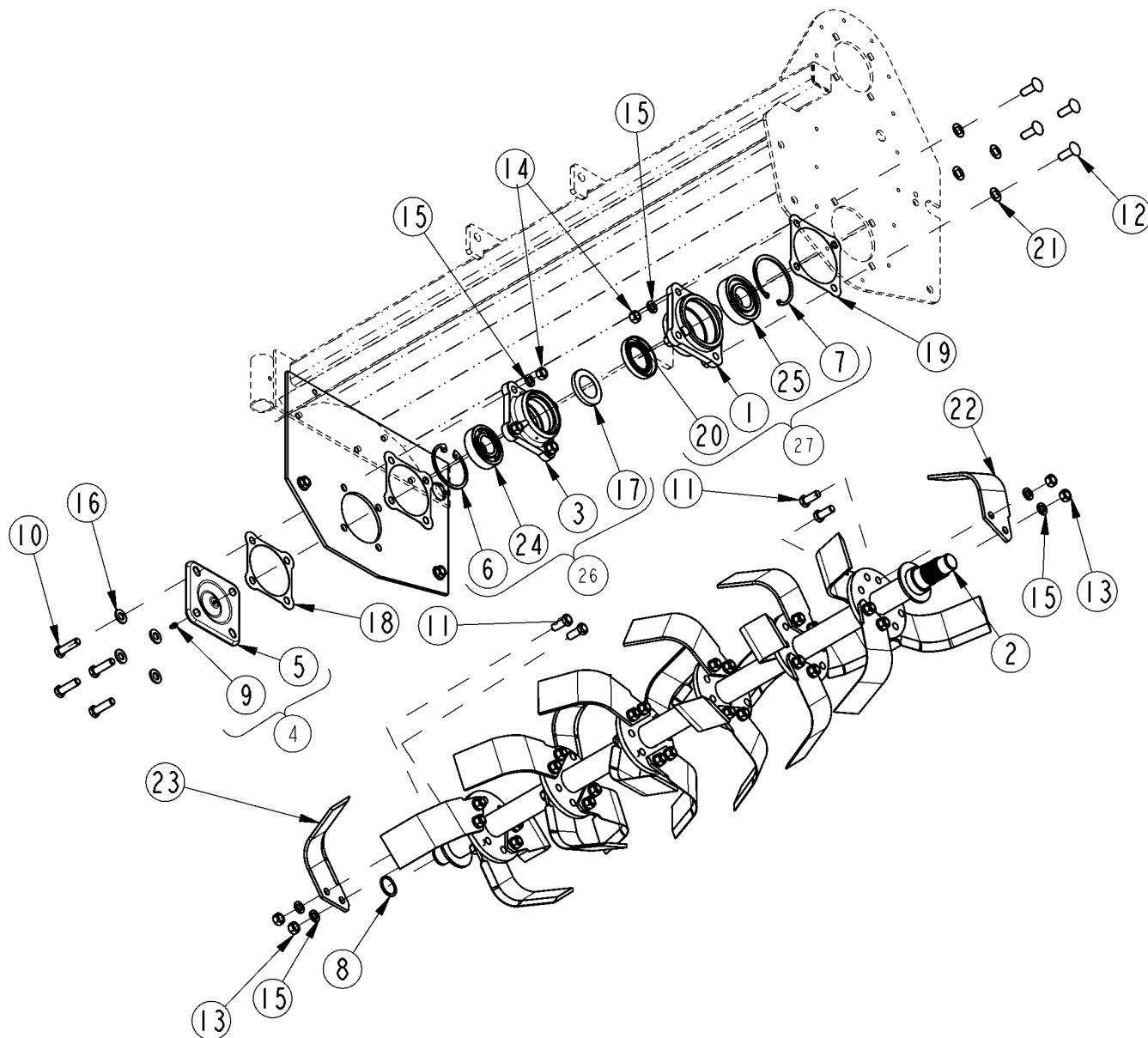
Frame and Hitch (continued)

Applies to RTR1242 S/N 884764-, RTR1250 S/N 884764-, RTR1258 S/N 884764-, RTR1266 S/N 884764-,
RTR1274 S/N 884764-

This Page Intentionally Left Blank

Rotor Assembly

Applies to RTR1242 S/N 884764-, RTR1250 S/N 884764-, RTR1258 S/N 884764-, RTR1266 S/N 884764-, RTR1274 S/N 884764-

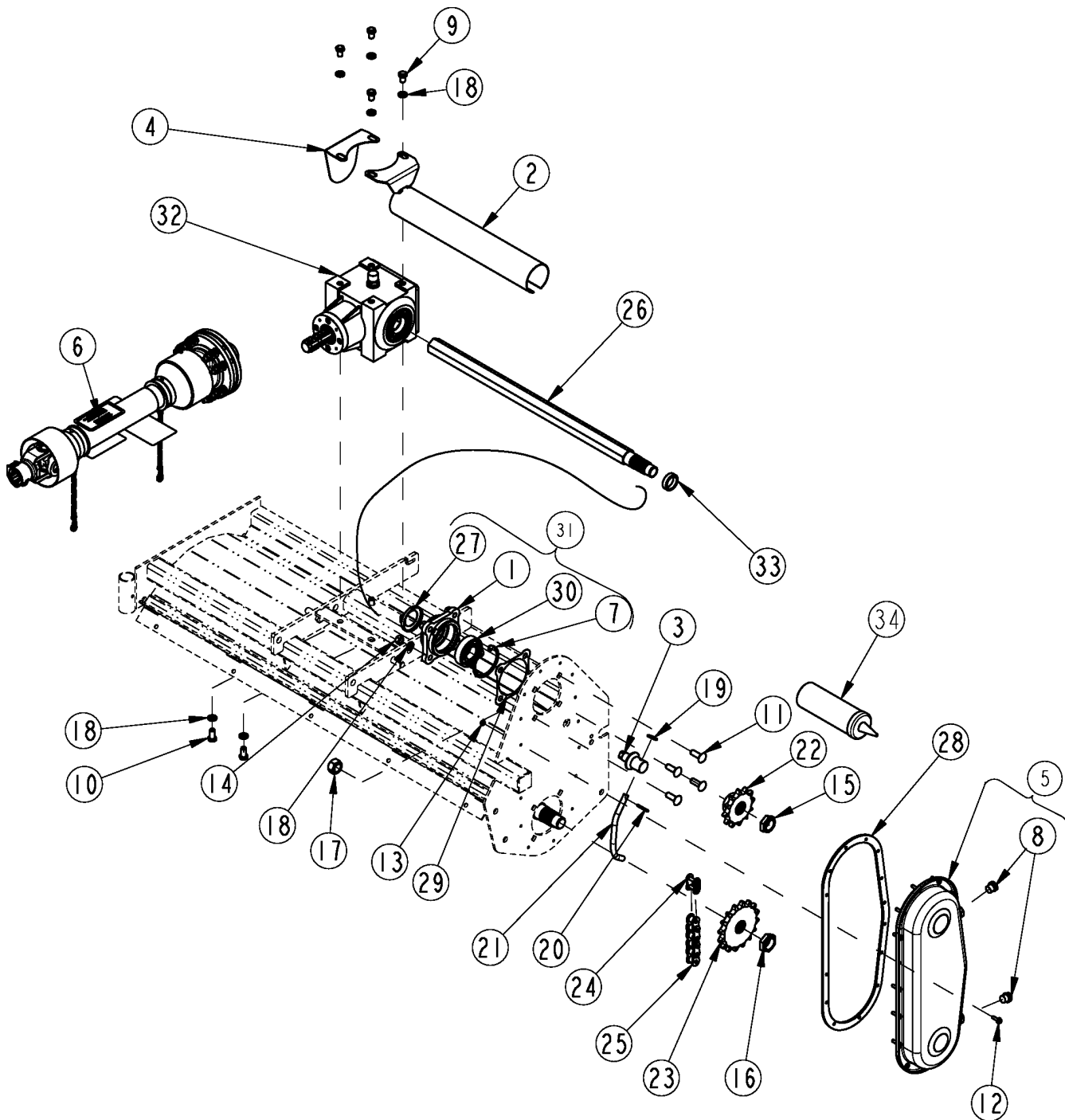


Rotor Assembly**Applies to RTR1242 S/N 884764-, RTR1250 S/N 884764-, RTR1258 S/N 884764-, RTR1266 S/N 884764-,**

Part No.	Part Description	Comments	Revision
	dwg30380	Drawing Image Number	
1.	311-015D	HSG DRV LWR RTA/RTR/OS MACH	
2.	311-020H	ROTOR SFT WLD RTA/R15 & RTA10	RTR1242
2.	311-019H	ROTOR SHAFT WELDMNT 10/1550	RTR1250
2.	311-018H	ROTOR SHAFT WELDMNT 10/1558	RTR1258
2.	311-689H	WLDMNT, 15 SERIES 66" ROTOR	RTR1266
2.	311-690H	WLDMNT, 15 SERIES 74" ROTOR	RTR1274
3.	311-042D	HSG NON-DR LWR RTA/RTR/OS MACH	
4.	311-135S	CVR NON-DRV LWR W/ZRK RTA/R	
5.	311-205D	COVER NON-DRV LWR	
6.	800-053C	SNAP RING INT3.523OD N5000-315	
7.	800-078C	SNAP RING INT 90 MM	
8.	800-079C	SNAP RING EXT 1 3/8 5100-137	
9.	800-080C	GREASE ZERK 1/4-28 THD FORMING	
10.	802-082C	HHCS 1/2-13X1 3/4 GR5	
11.	802-248C	SP TINE HHCS 1/2-20X1 1/4 GR5	
12.	802-477C	RHSSNB 1/2-13X1 1/2 GR5	
13.	803-018C	NUT HEX 1/2-20 PLT	
14.	803-020C	NUT HEX 1/2-13 PLT	
15.	804-015C	WASHER LOCK SPRING 1/2 PLT	
16.	804-094C	WASHER FLAT 1/2 HARD ASTMF436	
17.	816-068C	SEAL 1.75 X 2.75 X .313	
18.	816-070C	GASKET HSG 10/15 TILLER	
19.	816-071C	GASKET 15 TILLER LH BOTTOM	
20.	816-084C	SEAL 2 X 3.1875 X 0.469	
21.	816-280C	GASKET 1.03OD.515SQ.HL1/32THK	
22.	820-055C	BLADE TILLER 10 & 15 SERIES LH	RTR1242 10 TotalRTR1250 12Total, RTR1258 14 Total, RTR1266 16 Total & RTR1274 18 Total
23.	820-056C	BLADE TILLER 10 & 15 SERIES RH	RTR1242 10 TotalRTR1250 12Total, RTR1258 14 Total, RTR1266 16 Total & RTR1274 18 Total
24.	822-082C	BRG BALL 1.37IDX3.14ODX.82 307	
25.	822-084C	BRG BALL 1.57IDX3.54ODX.90 308	
26.	822-255C	HSG, 1.37ID X 4 BOLT,1.75 SEAL	
27.	822-256C	HSG, 1.57ID X 4 BOLT,2.0 SEAL	

Drive Components

Applies to RTR1242 S/N 884764-, RTR1250 S/N 884764-, RTR1258 S/N 884764-, RTR1266 S/N 884764-, RTR1274 S/N 884764-



30381

Drive Components

Applies to RTR1242 S/N 884764-, RTR1250 S/N 884764-, RTR1258 S/N 884764-, RTR1266 S/N 884764-,

Part No.	Part Description	Comments	Revision
	dwg30381	Drawing Image Number	
1.	311-014D	HSG DRIVE UPPR RTA/RTR/OS MACH	
2.	311-440H	DRIVE SHAFT GUARD WELDMENT	RTR1542
2.	311-440H81	DRIVE SHAFT GUARD WLD GREEN	
2.	311-440H82	DRIVE SHAFT GUARD WLD ORANGE	
2.	311-440H83	DRIVE SHAFT GUARD WLD RED	
2.	311-446H	DRIVE SHAFT GUARD WELDMENT	RTR1250
2.	311-446H81	DRIVE SHAFT GUARD WELDMENT GREEN	
2.	311-446H82	DRIVE SHAFT GUARD WELDMENT ORANGE	
2.	311-446H83	DRIVE SHAFT GUARD WELDMENT RED	
2.	311-450H	DRIVE SHAFT GUARD WELDMENT	RTR1258
2.	311-450H81	DRIVE SHAFT GUARD WLD GREEN	
2.	311-450H82	DRIVE SHAFT GUARD WLD ORANGE	
2.	311-450H83	DRIVE SHAFT GUARD WLD RED	
2.	311-751H	WLDNMT, 66" DRIVE SHAFT GUARD	RTR1266
2.	311-751H81	WLDNMT, 66" DRIVE SHAFT GUARD GREEN	
2.	311-751H82	WLDNMT, 66" DRIVE SHAFT GUARD ORANGE	
2.	311-751H83	WLDNMT, 66" DRIVE SHAFT GUARD RED	
2.	311-752H	WLDNMT, 74" DRIVE SHAFT GUARD	RTR1274
2.	311-752H81	WLDNMT, 74" DRIVE SHAFT GUARD GREEN	
2.	311-752H82	WLDNMT, 74" DRIVE SHAFT GUARD ORANGE	
2.	311-752H83	WLDNMT, 74" DRIVE SHAFT GUARD RED	
3.	311-559D	CHAIN TENSIONER LH	
4.	311-583D	DRIVE COVER	
4.	311-583D81	DRIVE COVER GREEN	
4.	311-583D82	DRIVE COVER ORANGE	
4.	311-583D83	DRIVE COVER RED	
5.	311-721S	ASSY, 10/15 TILLER CHAIN CASE	
5.	311-721S81	ASSY, 10/15 TILLER CHAIN CASE GREEN	
5.	311-721S82	ASSY, 10/15 TILLER CHAIN CASE ORANGE	
5.	311-721S83	ASSY, 10/15 TILLER CHAIN CASE RED	
6.	311-753A	DRVLN, 12 SERIES SLIP CLTCH	
7.	800-053C	SNAP RING INT3.523OD N5000-315	
8.	800-066C	DRAIN PLUG 3/4-16 UNF PLATED	
9.	802-032C	HHCS 1/2-13X3/4 GR5	
10.	802-258C	HHCS 1/2-13X1 GR5	
11.	802-477C	RHSSNB 1/2-13X1 1/2 GR5	
12.	802-719C	HFSS 1/4-20X7/8 GR5	
13.	803-007C	NUT LOCK 1/4-20 PLT	
14.	803-020C	NUT HEX 1/2-13 PLT	
15.	803-153C	NUT LT JAM 1 1/8-12 NYLN INSRT	
16.	803-155C	NUT LT JAM 1 1/4-12 NYLN INSRT	
17.	803-348C	NUT HEX FLG 7/8-14 LH PLT	
18.	804-015C	WASHER LOCK SPRING 1/2 PLT	
19.	804-016C	WASHER FLAT 1/2 SAE PLT	
20.	805-069C	PIN COTTER 3/16 X 1	
21.	807-062C	CHAIN TIGHTENER 10/15 TILR	
22.	808-092C	SPKT 80B12 1 3/8-21	
23.	808-093C	SPKT 80B16 16/32-23 SPLINE	
24.	809-089C	CONNECTOR #80 HIGH TENSILE	
25.	809-232C	CHAIN RL #80X44 PITCH HT	
26.	815-254C	DRIVE SHAFT RTR1042	RTR1242
26.	815-254C81	DRIVE SHAFT RTR1042 GREEN	
26.	815-254C82	DRIVE SHAFT RTR1042 ORANGE	
26.	815-254C83	DRIVE SHAFT RTR1042 RED	
26.	815-028C	DRIVE SHAFT 1550 TILLER	RTR1250
26.	815-028C81	DRIVE SHAFT 1550 TILLER GREEN	
26.	815-028C82	DRIVE SHAFT 1550 TILLER ORANGE	

Drive Components (continued)

Applies to RTR1242 S/N 884764-, RTR1250 S/N 884764-, RTR1258 S/N 884764-, RTR1266 S/N 884764-, RTR1274

S/N 884764- Part No.	Part Description	Comments	Revision
26. 815-028C83	DRIVE SHAFT 1550 TILLER RED		
26. 815-027C	SHAFT, 1.5X35.63 HEX DRIVE	RTR1258	
26. 815-027C81	SHAFT, 1.5X35.63 HEX DRIVE GREEN		
26. 815-027C82	SHAFT, 1.5X35.63 HEX DRIVE ORANGE		
26. 815-027C83	SHAFT, 1.5X35.63 HEX DRIVE RED		
26. 815-362C	SHAFT, 1.5X39.63 HEX DRIVE	RTR1266	
26. 815-362C81	SHAFT, 1.5X39.63 HEX DRIVE GREEN		
26. 815-362C82	SHAFT, 1.5X39.63 HEX DRIVE ORANGE		
26. 815-362C83	SHAFT, 1.5X39.63 HEX DRIVE RED		
26. 815-363C	SHAFT, 1.5X43.63 HEX DRIVE	RTR1274	
26. 815-363C81	SHAFT, 1.5X43.63 HEX DRIVE GREEN		
26. 815-363C82	SHAFT, 1.5X43.63 HEX DRIVE ORANGE		
26. 815-363C83	SHAFT, 1.5X43.63 HEX DRIVE RED		
27. 816-068C	SEAL 1.75 X 2.75 X .313		
28. 816-069C	GASKET CHAIN GRD 10/15 TILR		
29. 816-070C	GASKET HSG 10/15 TILLER		
30. 822-082C	BRG BALL 1.37IDX3.14ODX.82 307		
31. 822-254C	HSG, 1.37ID X 4 BOLT,1.75 SEAL		
32. 826-678C	GEARBOX, 1.92:1 RATIO HEX BORE		
33. 311-054D	SPACER 1.38IDX1.75ODX.50L PLT		
34. 821-045C	GRS SHELL GADUS S2 V22000 32OZ		

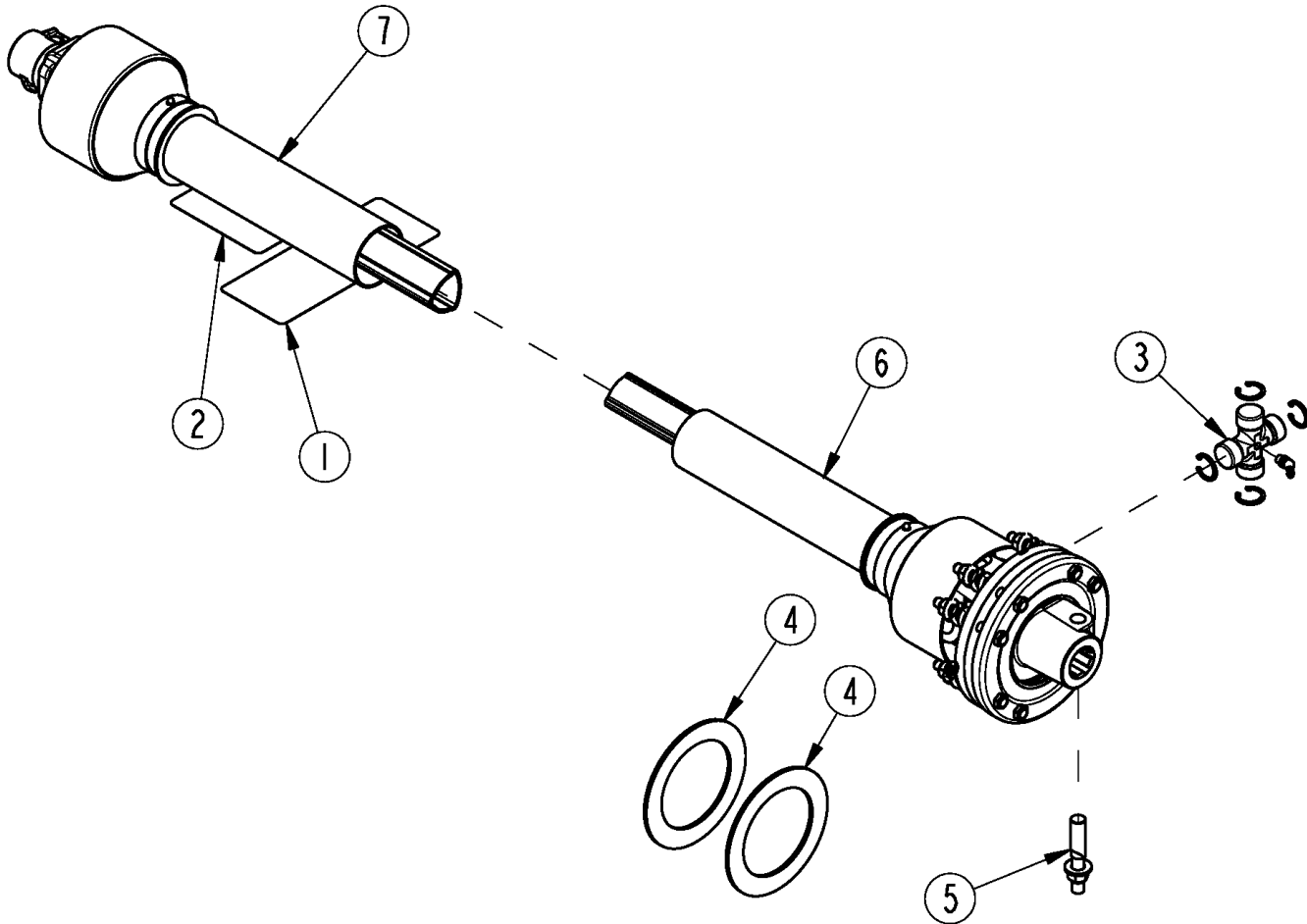
Drive Components (continued)

Applies to RTR1242 S/N 884764-, RTR1250 S/N 884764-, RTR1258 S/N 884764-, RTR1266 S/N 884764-,
RTR1274 S/N 884764-

This Page Intentionally Left Blank

Driveline W/ Slip Clutch (311-753A)

Applies to RTR1242 S/N 884764-, RTR1250 S/N 884764-, RTR1258 S/N 884764-, RTR1266 S/N 884764-, RTR1274 S/N 884764-



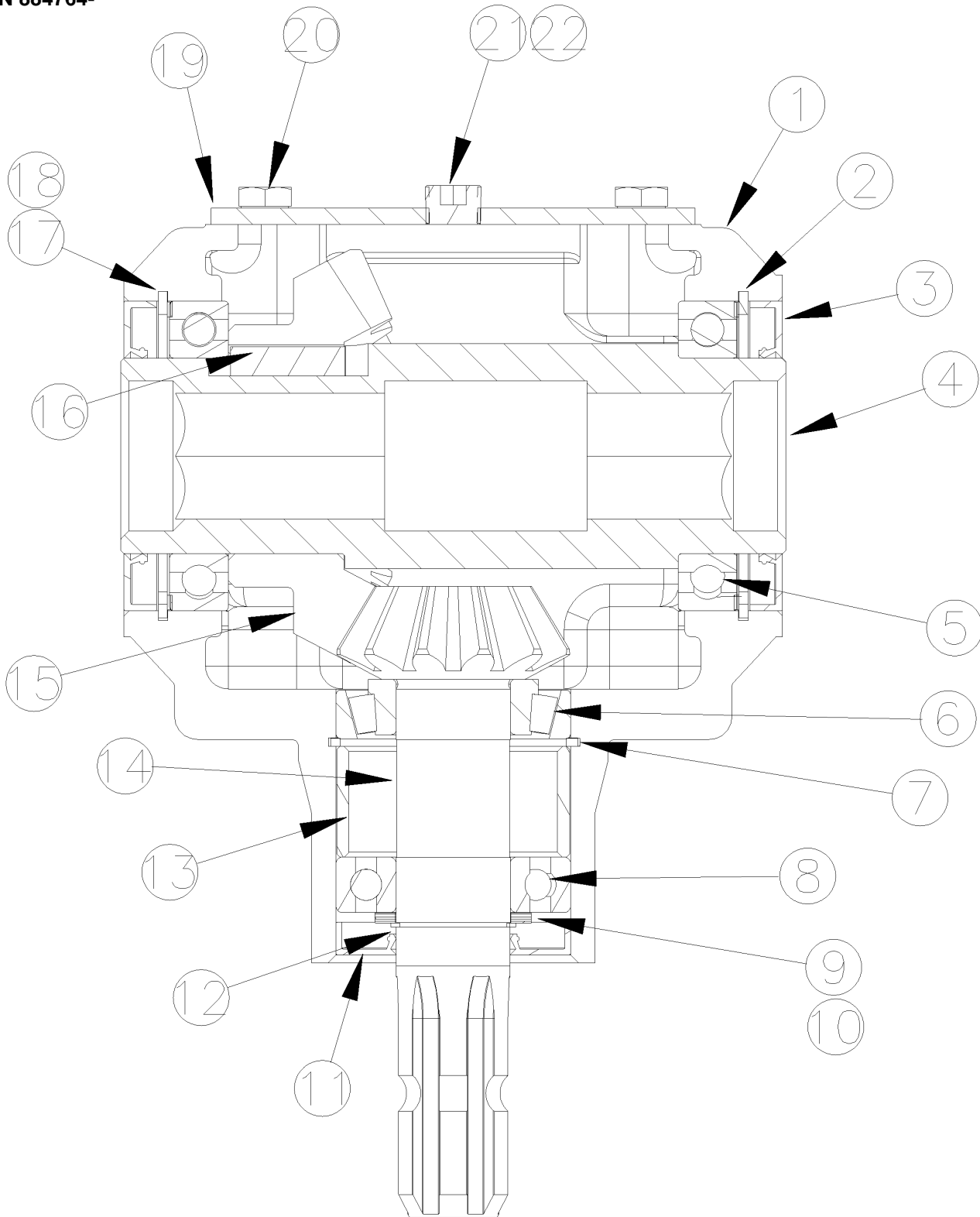
30376

Driveline W/ Slip Clutch (311-753A)**Applies to RTR1242 S/N 884764-, RTR1250 S/N 884764-, RTR1258 S/N 884764-, RTR1266 S/N 884764-,**

Part No.	Part Description	Comments	Revision
dwg30376	Drawing Image Number		
311-753A	DRVLN, 12 SERIES SLIP CLTCH *		
1.	818-540C	DECAL DANGER GUARD MISS PTO	
2.	818-552C	DECAL DANGER PTO DRIVELINE	
3.	1004020	EC CROSS ASSEMBLY (U JOINT)	
4.	GRI-4SC003	VULCAN FRICTION DISC	
5.	GRI-4SP004	BOLT, CONICAL DOG	
6.	311-790A	DRVLN, 311-753A REAR HALF	
7.	311-789A	DRVLN, 311-753A FRONT HALF	

Gearbox (826-678C) SD

Applies to RTR1242 S/N 884764-, RTR1250 S/N 884764-, RTR1258 S/N 884764-, RTR1266 S/N 884764-, RTR1274 S/N 884764-



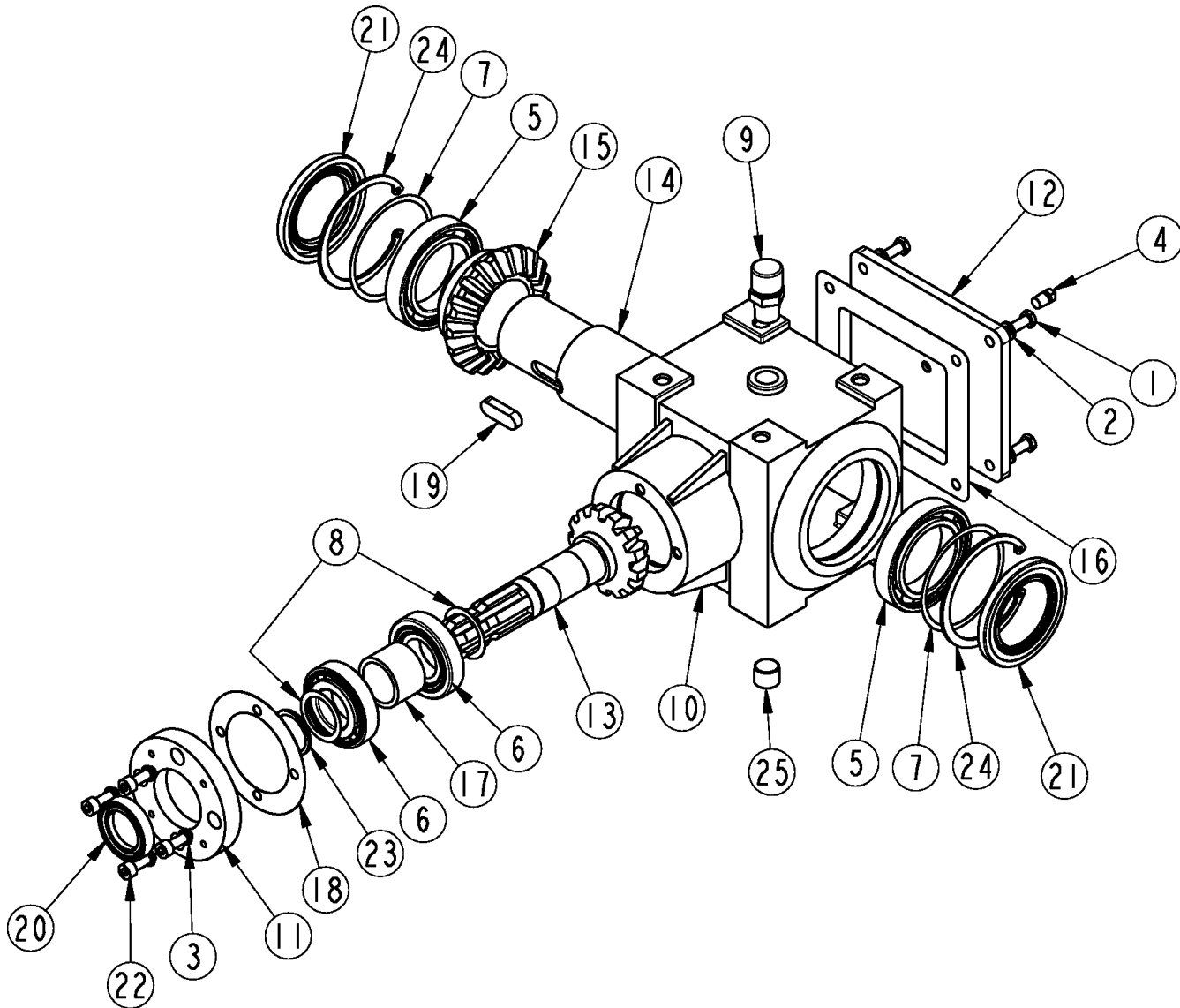
35111

Gearbox (826-678C) SD**Applies to RTR1242 S/N 884764-, RTR1250 S/N 884764-, RTR1258 S/N 884764-, RTR1266 S/N 884764-,**

Part No.	Part Description	Comments	Revision
dwg35111	Drawing Image Number		
826-678C	GEARBOX, 1.92:1 RATIO HEX BORE		
1. 18-218	SD GB HOUSING		
2. 21-104	SD 95 RETAINING RING		
3. 0.267.7104.00	CO SEAL DOUBLE LIP 60X95X10		
4. 02-341	SD OUTPUT SHAFT		
5. 04-211	SD 60X95X18 BALL BRG		
6. 04-081	SD 30207 TAPERED BRG		
7. 21-004	ITG RETAINING RING		
8. 822-166C	BRG BALL 1.37IDX2.83OD 6207		
9. 17-103	SD SHIM (0.50)		
10. 17-104	SD SHIM (0.70)		
11. 05-010	ITG INPUT SEAL		
12. 21-105	SD 35DIA EXT RETAINING RING		
13. 10-216	SD OUTPUT SPACER		
14. 03-348	SD 12 TOOTH PINION & SHAFT		
15. 03-349	SD 23 TOOTH GEAR		
16. 14-102	SD 14X9X35 KEY		
17. 17-101	SD OUTPUT SHIM (0.50)		
18. 17-102	SD OUTPUT SHIM (1.0)		
19. 20-217	SD INSPECTION CAP		
20. 06-010	SD M10X1.5X20 HEX HEAD BOLT		
21. 09-052	SD 3/8-19NPT SQ HEAD PLUG	2 Required	
22. 09-107	SD 3/8-18 NPT BREATHER PLUG	1 Required	

Gearbox (826-678C) Vulcan

Applies to RTR1242 S/N 884764-, RTR1250 S/N 884764-, RTR1258 S/N 884764-, RTR1266 S/N 884764-, RTR1274 S/N 884764-



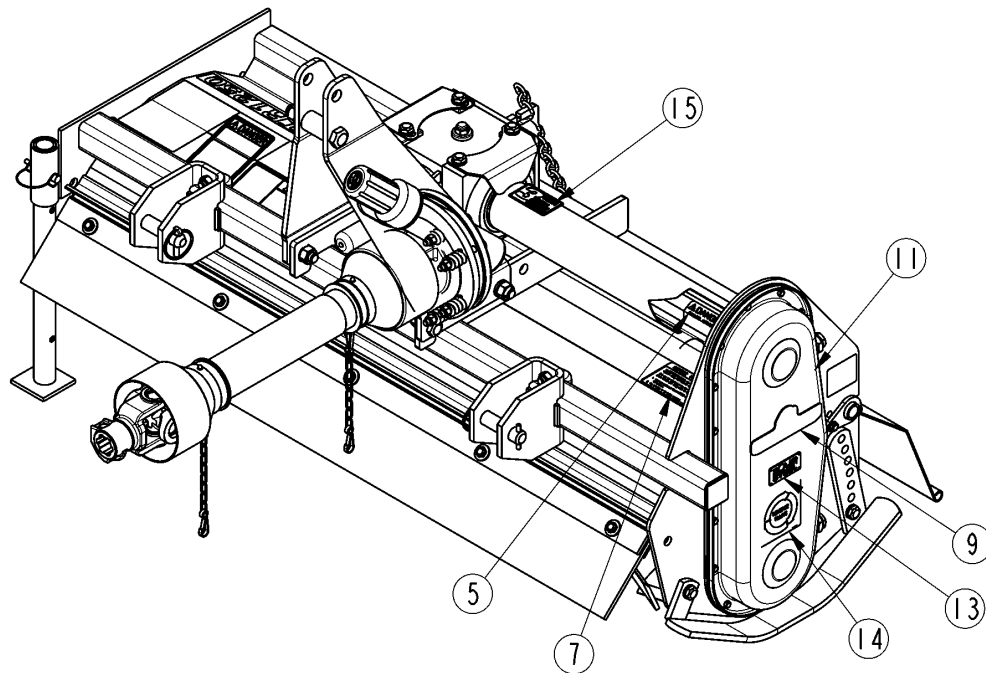
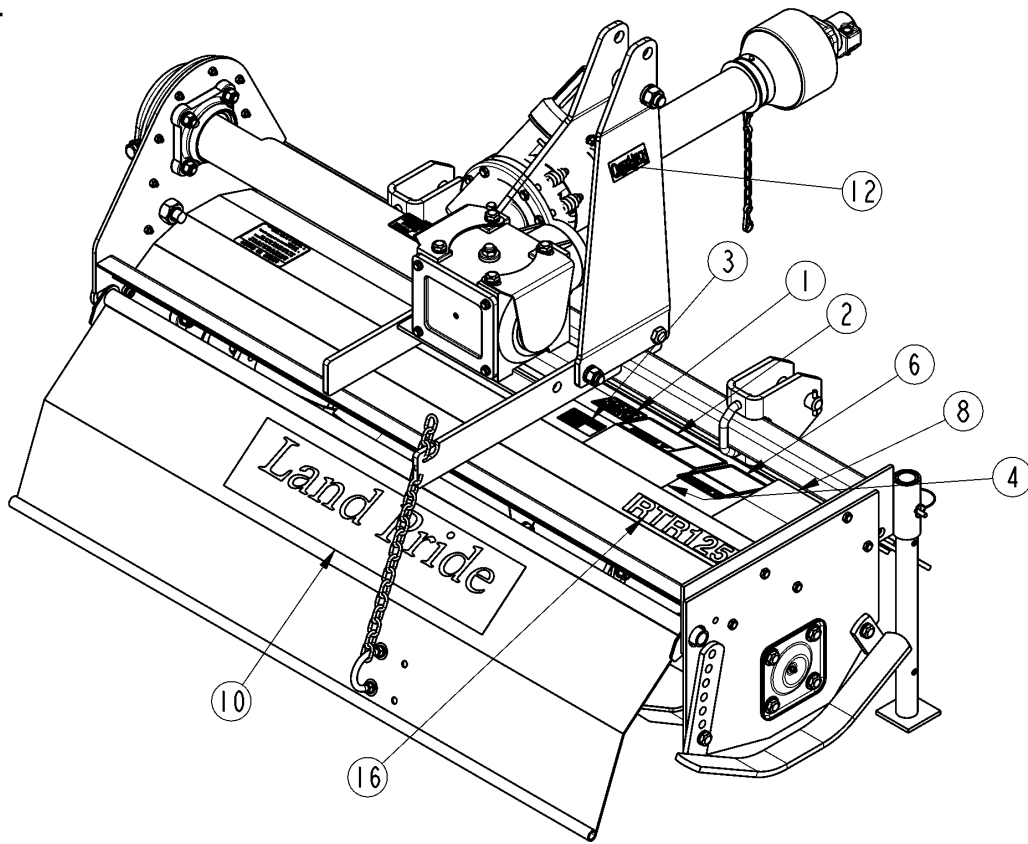
30375

Gearbox (826-678C) Vulcan**Applies to RTR1242 S/N 884764-, RTR1250 S/N 884764-, RTR1258 S/N 884764-, RTR1266 S/N 884764-,**

Part No.	Part Description	Comments	Revision
dwg30375	Drawing Image Number		
826-678C	GEARBOX, 1.92:1 RATIO HEX BORE *		
1.	802-010C	HHCS 5/16-18X1 1/4 GR5	
2.	804-009C	WASHER LOCK SPRING 5/16 PLT	
3.	804-157C	WASHER SPRING LOCK M8 PLT	
4.	811-768C	1/8 NPT SQ HD PIPE PLUG	
5.	822-165C	BRG BALL 2.36IDX3.74OD 6012	
6.	822-167C	BRG ROLLER 1.37IDX2.83OD SET	
7.	891-260C	SHIM KIT, COMER	
8.	A.259.500	CO ADJUST SPACER KIT, 35.3 X48	
9.	H-502	PLUG, 1/2" - 14 PRESS RELIEF	
10.	H-C0111	HOUSING, GEARBOX	
11.	H-C0112	CAP, GEARBOX INPUT	
12.	H-C0113	COVER, GEARBOX REAR	
13.	H-C0121	SHAFT, GEARBOX INPUT	
14.	H-C0122	SHAFT, GEARBOX OUTPUT	
15.	H-C0123	GEAR, OUTPUT	
16.	H-C0143	GASKET, GEARBOX REAR COVER	
17.	H-C0151	SPACER, INPUT SHAFT	
18.	H-C1041	GASKET, GEARBOX INPUT CAP	
19.	S-122	KEY, 40X14X7.5	
20.	S-201	SEAL, 35X54X11 RADIAL	
21.	S-209	SEAL, 60X95X8 RADIAL	
22.	S-305	HSHCS M8X1.25X25	
23.	S-403	RING, 38X33X1.7 EXTERNAL	
24.	S-406	RING, 95X2.5 INTERNAL SNAP	
25.	S-504	PLUG, 1/2" - 14 HS PIPE	

Label Placement

Applies to RTR1242 S/N 884764-, RTR1250 S/N 884764-, RTR1258 S/N 884764-, RTR1266 S/N 884764-, RTR1274 S/N 884764-



30382

Label Placement

Applies to RTR1242 S/N 884764-, RTR1250 S/N 884764-, RTR1258 S/N 884764-, RTR1266 S/N 884764-,

Part No.	Part Description	Comments	Revision
dwg30382	Drawing Image Number		
1. 818-130C	DECAL CAUTION 540 RPM		
2. 818-171C	DECAL DANGER ROTATING TINES		
3. 818-190C	DECAL FLAG		
4. 818-284C	DECAL, WARNING FLYING DEBRIS		
5. 818-543C	DECAL DANGER PD GUARD MISS SML		
6. 818-552C	DECAL DANGER PTO DRIVELINE		
7. 818-560C	DECAL NOTICE TO OWNER-NO WARRA		
8. 818-858C	DECAL CAUTION GENERAL SAFTEY		
9. 818-896C	DECAL LP W/TREE 6" - 2 COLOR	Beige Unit	
9. 838-968C	DECAL LP 6 W/TREE BROWN/GOLD	Green, Orange & Red Unit	
10. 818-907C	DECAL LANDPRIDE 22" - BROWN	Beige Unit	
10. 838-966C	DECAL LANDPRIDE 22" BROWN/GOLD	Green, Orange & Red Unit	
11. 838-415C	DECAL SHELL GADUS S2 V220 00		
12. 838-517C	DECAL QUICK HITCH SYSTEM		
13. 838-537C	DECAL SOLID ROTOR SHAFT STEEL		
14. 838-706C	DECAL REVERSE TILLING W/ARROWS	Beige Unit	
14. 838-897C	DECAL REV TILLING W/ARROWS GLD	Green, Orange & Red Unit	
15. 838-862C	DECAL 3 YEAR GEARBOX WARRANTY		
16. 848-651C	DECAL RTR1242 BROWN	Beige Unit	
16. 848-650C	DECAL RTR1242 GOLD	Green, Orange & Red Unit	
16. 848-653C	DECAL RTR1250 BROWN	Beige Unit	
16. 848-652C	DECAL RTR1250 GOLD	Green, Orange & Red Unit	
16. 848-655C	DECAL RTR1258 BROWN	Beige Unit	
16. 848-654C	DECAL RTR1258 GOLD	Green, Orange & Red Unit	
16. 848-657C	DECAL RTR1266 BROWN	Beige Unit	
16. 848-656C	DECAL RTR1266 GOLD	Green, Orange & Red Unit	
16. 848-659C	DECAL RTR1274 BROWN	Beige Unit	
16. 848-658C	DECAL RTR1274 GOLD	Green, Orange & Red Unit	



Part Number Index

The Part Number Index is a numeric index of all part numbers included in this manual. The index shows what page(s) the part is used on.

Part Number	Page	Part Number	Page	Part Number	Page	Part Number	Page
0.267.7104.00	21, 41	311-266E82	9	311-699H81	7, 27	800-053C	13, 15, 33, 35
02-341	21, 41	311-266E83	9	311-699H82	7, 27	800-066C	15, 35
03-348	21, 41	311-347D	9	311-699H83	7, 27	800-078C	33
03-349	21, 41	311-347D81	9	311-700H	7, 27	800-079C	13, 33
04-081	21, 41	311-347D82	9	311-700H81	7, 27	800-080C	13, 33
04-211	21, 41	311-347D83	9	311-700H82	7, 27	801-042C	9
05-010	21, 41	311-418H	29	311-700H83	7, 27	802-010C	23, 43
06-010	21, 41	311-418H81	29	311-721S	15, 35	802-017C	9, 30
09-052	21, 41	311-418H82	29	311-721S81	15, 35	802-022C	27
09-107	21, 41	311-418H83	29	311-721S82	15, 35	802-032C	15, 35
10-216	21, 41	311-423H	29	311-721S83	15, 35	802-034C	9, 30
1004020	19, 39	311-423H81	29	311-743H	9	802-050C	10
14-102	21, 41	311-423H82	29	311-743H81	9	802-053C	30
17-101	21, 41	311-423H83	29	311-743H82	9	802-068C	10, 30
17-102	21, 41	311-427H	29	311-743H83	9	802-082C	13, 33
17-103	21, 41	311-427H81	29	311-744H	9	802-224C	10, 30
17-104	21, 41	311-427H82	29	311-744H81	9	802-248C	13, 33
18-218	21, 41	311-427H83	29	311-744H82	9	802-258C	15, 35
20-217	21, 41	311-430H	7, 27	311-744H83	9	802-477C	13, 15, 33, 35
21-004	21, 41	311-430H81	7, 27	311-745H	9	802-719C	15, 35
21-104	21, 41	311-430H82	7, 27	311-745H81	9	802-738C	7, 27
21-105	21, 41	311-430H83	7, 27	311-745H82	9	803-007C	15, 35
308-171D	15	311-440H	15, 35	311-745H83	9	803-014C	7, 10, 27, 30
308-400D	9, 29	311-440H81	15, 35	311-746H	9	803-018C	13, 33
310-020S	9, 29	311-440H82	15, 35	311-746H81	9	803-020C	13, 15, 33, 35
311-002H	13	311-440H83	15, 35	311-746H82	9	803-021C	10, 30
311-003H	13	311-444H	29	311-746H83	9	803-027C	10, 30
311-006H	9, 29	311-444H81	29	311-747H	9	803-147C	10, 30
311-006H81	9, 29	311-444H82	29	311-747H81	9	803-153C	15, 35
311-006H82	9, 29	311-444H83	29	311-747H82	9	803-155C	35
311-006H83	9, 29	311-445H	7, 27	311-747H83	9	803-157C	15
311-007H	9, 29	311-445H81	7, 27	311-749H	29	803-255C	10, 30
311-007H81	9, 29	311-445H82	7, 27	311-749H81	29	803-348C	35
311-007H82	9, 29	311-445H83	7, 27	311-749H82	29	804-007C	10, 30
311-007H83	9, 29	311-446H	15, 35	311-749H83	29	804-009C	7, 23, 27, 43
311-014D	13, 15, 35	311-446H81	15, 35	311-750H	29	804-011C	7, 27
311-014H	9, 29	311-446H82	15, 35	311-750H81	29	804-013C	7, 10, 27, 30
311-014H81	9, 29	311-446H83	15, 35	311-750H82	29	804-015C	10, 13, 15, 30, 33, 35
311-014H82	9, 29	311-448H	29	311-750H83	29	804-016C	15, 35
311-014H83	9, 29	311-448H81	29	311-751H	15, 35	804-022C	10, 30
311-015D	33	311-448H82	29	311-751H81	15, 35	804-023C	10, 30
311-017H	9	311-448H83	29	311-751H82	15, 35	804-094C	13, 33
311-017H81	9	311-449H	7, 27	311-751H83	15, 35	804-157C	23, 43
311-017H82	9	311-449H81	7, 27	311-752H	15, 35	805-015C	10, 30
311-017H83	9	311-449H82	7, 27	311-752H81	15, 35	805-041C	10, 30
311-018H	33	311-449H83	7, 27	311-752H82	15, 35	805-065C	10, 30
311-019H	33	311-450H	15, 35	311-752H83	15, 35	805-069C	15, 35
311-020H	33	311-450H81	15, 35	311-753A	16, 19, 35, 39	805-198C	10, 30
311-038H	13	311-450H82	15, 35	311-754D	27	806-048C	10, 30
311-042D	13, 33	311-450H83	15, 35	311-755D	27	806-049C	7, 27
311-052H	9	311-538D	29	311-778D	30	807-062C	15, 35
311-052H81	9	311-538D81	29	311-778D81	30	808-082C	15
311-052H82	9	311-538D82	29	311-778D82	30	808-092C	15, 35
311-052H83	9	311-538D83	30	311-778D83	30	808-093C	35
311-054D	16, 36	311-539D	30	311-779D	29	809-089C	16, 35
311-077D	7, 27	311-539D81	30	311-779D81	29	809-232C	15, 35
311-135S	13, 33	311-539D82	30	311-779D82	29	811-768C	23, 43
311-135S81	13	311-539D83	30	311-779D83	29	815-027C	15, 36
311-135S82	13	311-559D	35	311-784H	13	815-027C81	15, 36
311-135S83	13	311-565D	27	311-786H	13	815-027C82	16, 36
311-205D	13, 33	311-566D	27	311-789A	19, 39	815-027C83	16, 36
311-205D81	13	311-577D	27	311-790A	19, 39	815-028C	15, 35
311-205D82	13	311-583D	15, 35	311-792H	29	815-028C81	15, 35
311-205D83	13	311-583D81	15, 35	311-792H81	29	815-028C82	15, 35
311-265E	9	311-583D82	15, 35	311-792H82	29	815-028C83	15, 36
311-265E81	9	311-583D83	15, 35	311-792H83	29	815-254C	15, 35
311-265E82	9	311-663D	7, 27	311-795A	29, 30	815-254C81	15, 35
311-265E83	9	311-689H	33	311-795A81	29, 30	815-254C82	15, 35
311-266E	9	311-690H	33	311-795A82	29, 30	815-254C83	15, 35
311-266E81	9	311-699H	7, 27	311-795A83	29, 30		



Part Number Index (continued)

Part Number	Page	Part Number	Page
815-362C	16, 36	848-659C	45
815-362C81	16, 36	891-260C	23, 43
815-362C82	16, 36	A.259.500	23, 43
815-362C83	16, 36	dwg30367	9
815-363C	16, 36	dwg30368	7
815-363C81	16, 36	dwg30369	13
815-363C82	16, 36	dwg30373	15
815-363C83	16, 36	dwg30374	25
816-068C	13, 16, 33, 36	dwg30375	23, 43
816-069C	16, 36	dwg30376	19, 39
816-070C	13, 16, 33, 36	dwg30378	27
816-071C	33	dwg30379	29
816-084C	33	dwg30380	33
816-280C	13, 33	dwg30381	35
816-462C	27	dwg30382	45
816-463C	27	dwg35111	21, 41
816-472C	27	GRI-4SC003	19, 39
816-504C	10, 30	GRI-4SP004	19, 39
816-659C	27	H-502	23, 43
816-660C	27	H-C0111	23, 43
818-130C	25, 45	H-C0112	23, 43
818-171C	25, 45	H-C0113	23, 43
818-190C	25, 45	H-C0121	23, 43
818-284C	45	H-C0122	23, 43
818-540C	19, 39	H-C0123	23, 43
818-543C	25, 45	H-C0143	23, 43
818-552C	19, 25, 39, 45	H-C0151	23, 43
818-560C	25, 45	H-C1041	23, 43
818-858C	25, 45	S-122	23, 43
818-896C	25, 45	S-201	23, 43
818-907C	25, 45	S-209	23, 43
820-055C	13, 33	S-305	23, 43
820-056C	13, 33	S-403	23, 43
821-045C	16, 36	S-406	23, 43
822-082C	13, 16, 33, 36	S-504	23, 43
822-084C	33		
822-165C	23, 43		
822-166C	21, 41		
822-167C	23, 43		
822-254C	13, 16, 36		
822-255C	13, 33		
822-256C	33		
826-678C	16, 21, 23, 36, 41, 43		
838-415C	25, 45		
838-517C	25, 45		
838-537C	25, 45		
838-706C	45		
838-862C	25, 45		
838-897C	45		
838-966C	25, 45		
838-968C	25, 45		
848-640C	25		
848-641C	25		
848-642C	25		
848-643C	25		
848-644C	25		
848-645C	25		
848-646C	25		
848-647C	25		
848-648C	25		
848-649C	25		
848-650C	45		
848-651C	45		
848-652C	45		
848-653C	45		
848-654C	45		
848-655C	45		
848-656C	45		
848-657C	45		
848-658C	45		



Great Plains Manufacturing, Inc.

Corporate Office: P.O. Box 5060
Salina, Kansas 67402-5060 USA

www.landpride.com
