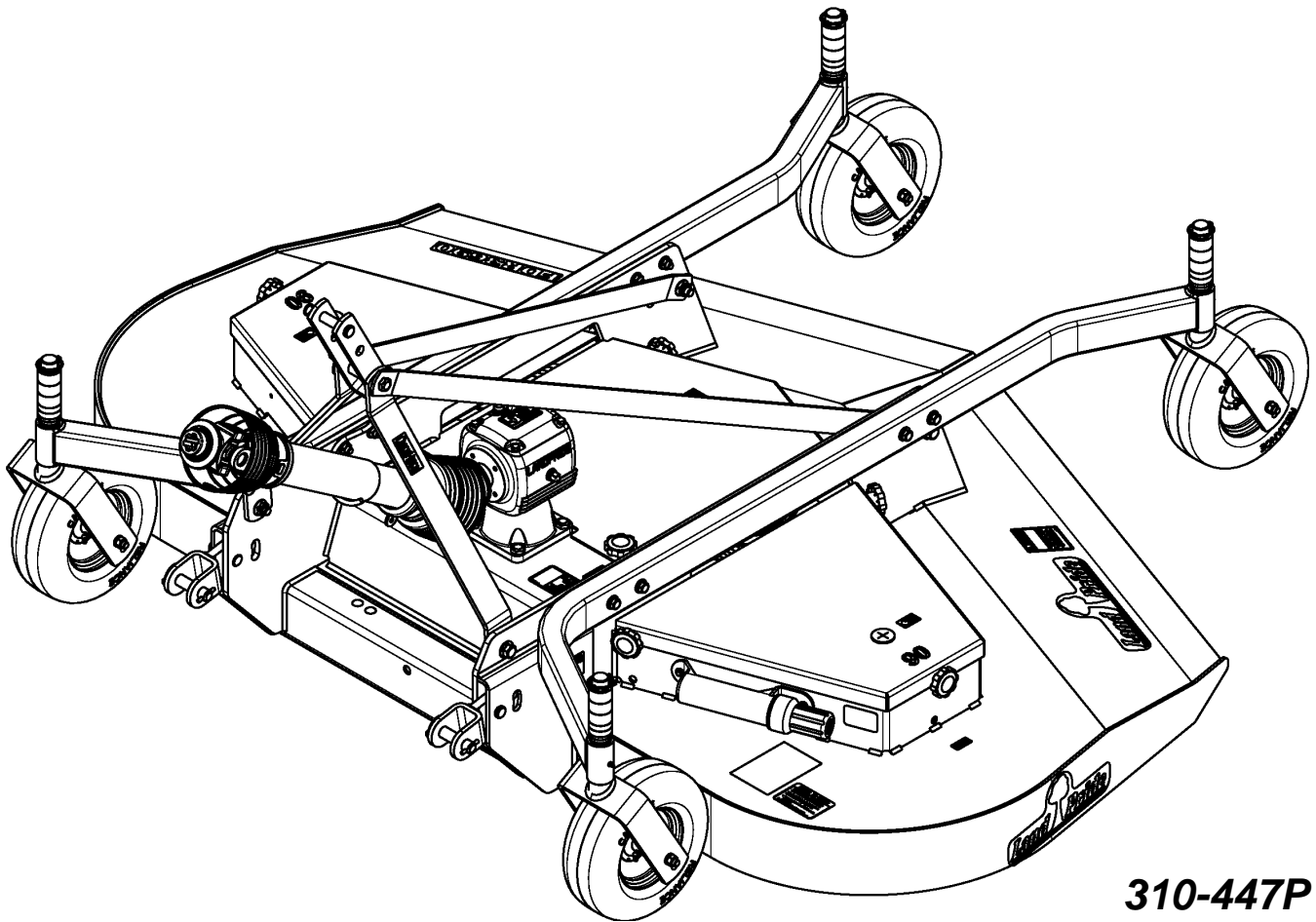


Rear Discharge Grooming Mowers

FDR3690



310-447P
Parts Manual



Read the Operator's Manual entirely. When you see this symbol, the subsequent instructions and warnings are serious - follow without exception. Your life and the lives of others depend on it!

© Copyright 2019 Printed 02/04/19

Cover photo may show optional equipment not supplied with standard unit.





Table of Contents

Section 1: Introduction.....	4
Using This Manual.....	4
Manual Replacement Information.....	4
Manual Revisions.....	4
Touch-up Paint.....	4
Hardware Legend.....	5
Replacement Hardware.....	5
Serial Numbers.....	5
Part Number Service Coding.....	5
Section 2: Deck & Hitch Components.....	6
Belt Covers.....	6
Deck & Hitch.....	8
Driveline Hanger (327-143S).....	10
Driveline Hanger (327-182S).....	12
Front Roller.....	14
Manual Tube.....	16
Section 3: Gauge Wheel.....	18
Gauge Wheel Components.....	18
Section 4: Gearbox & Drive.....	20
Blade Drive Components.....	20
Blade Drive Gearbox.....	22
Driveline (826-213C) Eurocardan.....	24
Driveline (826-434C).....	26
Gearbox (826-326C) Comer.....	28
Section 5: Decals.....	30
Decal Placement.....	30
Land Pride Touch-up Paints.....	32
Part Number Index.....	34

© Copyright 2019. All rights reserved.

Land Pride provides this publication “as is” without warranty of any kind, either expressed or implied. While every precaution has been taken in the preparation of this manual, Land Pride assumes no responsibility for errors or omissions. Neither is any liability assumed for damages resulting from the use of the information contained herein. Land Pride reserves the right to revise and improve its products as it sees fit. This publication describes the state of this product at the time of its publication, and may not reflect the product in the future. The illustrations in this manual are not intended for safe and proper assembly or disassembly of equipment. The illustrations are intended for ordering parts only.

Land Pride is registered trademark.

All other brands and product names are trademarks or registered trademarks of their respective holders.

Printed in the United States of America.



Alphabetized Table of Contents

B	
Belt Covers.....	6
Blade Drive Components.....	20
Blade Drive Gearbox.....	22
D	
Decal Placement.....	30
Deck & Hitch.....	8
Driveline (826-213C) Eurocardan.....	24
Driveline (826-434C).....	26
Driveline Hanger (327-143S).....	10
Driveline Hanger (327-182S).....	12
F	
Front Roller.....	14
G	
Gauge Wheel Components.....	18
Gearbox (826-326C) Comer.....	28
L	
Land Pride Touch-up Paints.....	32
M	
Manual Tube.....	16

General Information

Using This Manual

This manual is divided into sections. The first section contains General Information. The remaining sections divide the machine into segments (i.e. Frames, Drives, Hydraulics, etc.) which illustrate and list all parts. A Parts Number Index is located at the back of the book.

The Land Pride parts in this manual are specially designed for this machine and should be replaced with Land Pride parts only.

The information in this manual is current at time of printing. Some parts may change to assure top performance.

Right-hand and left-hand as used in this manual are determined by facing the direction the machine will travel while in use.

Below is an example of two facing pages from a parts manual. Familiarize yourself with the type of information contained on these pages.

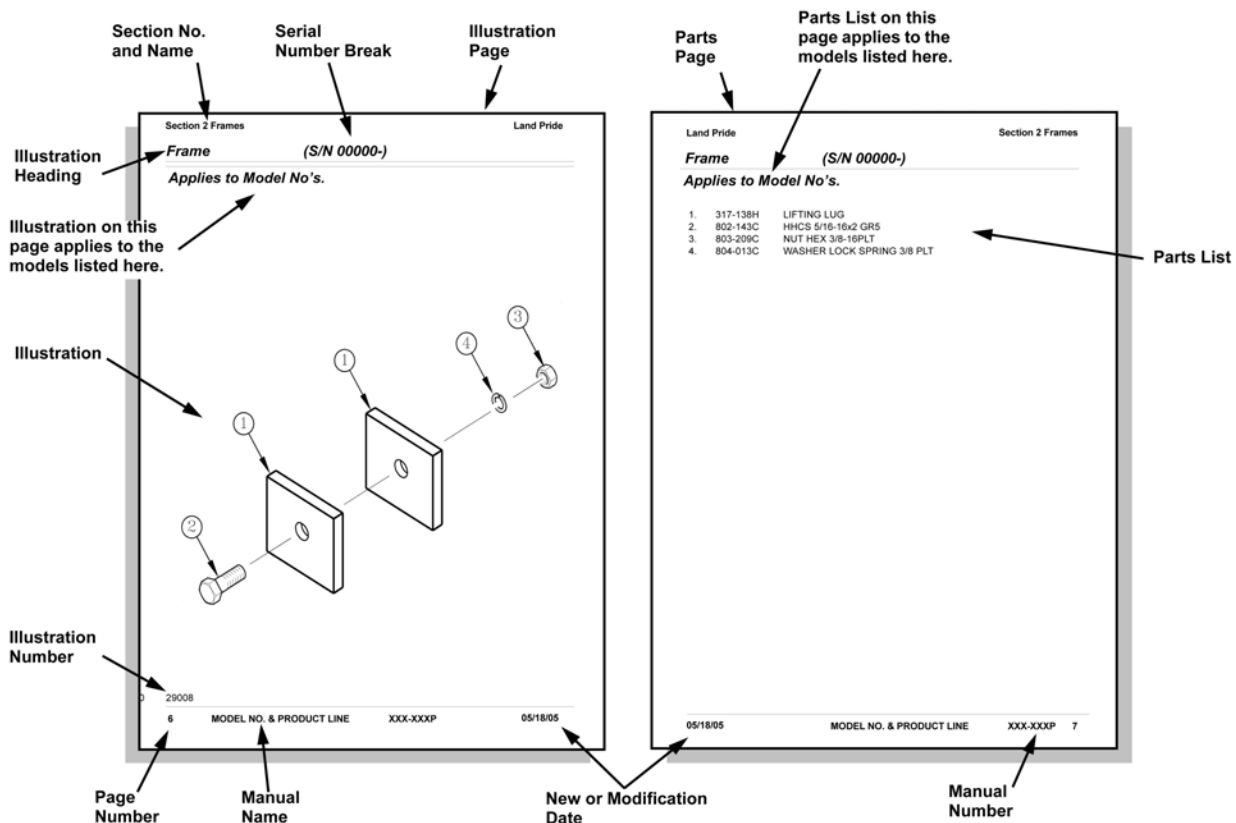
Manual Replacement Information

Replacement manuals are available. Refer to our website at www.landpride.com or e-mail us at lit@landpride.com for additional information. Our website continues to provide the most up-to-date manuals available.

Touch-up Paint

Repaint parts where paint is worn or scratched to prevent rust. Aerosol cans and touch-up bottles with brush applicator are available through your local dealer. Also available are quart and gallon size paints. Add QT or GL to end of the Aerosol P/N.

Land Pride color descriptions and part numbers are listed on the "Land Pride Touch-up Paints" page in the "Decals" section of this book. Color options vary by product.



General Information

Hardware Legend

AR	As Required
BLADE	Blade Bolt
C	Cap Screw
CP	Cotter Pin
CPHSSS	Cup Point Hex Socket Set Screw
CPSHSS	Cup Point Square Head Set Screw
CPSQHSS	Cup Point Square Head Set Screw
CRFCHMS3	Cross Recess Flat Countersunk Head Machine Screw
CRPHMS	Cross Recess Pan Head Machine Screw
CRPHTF	Cross Recess Pan Head Thread Forming
CRRHMS	Cross Recess Round Head Machine Screw
CRTHMS	Cross Recess Truss Head Machine Screw
CSNB	Countersunk Square Neck Bolt
FHMS	Flat Head Machine Screw
FTC	Full Thread Cap Screw
H	Hex Nut
HCLN	Hex Center Lock Nut
HFLCS	Hex Flange Lock Cap Screw
HFS	Hex Flange Screw
HFSLN	Hex Flange Serrated Lock Nut
HFSS	Hex Flange Serrated Screw
HHCS	Hex Head Cap Screw or Metric Bolt
HSBHCS	Hex Socket Button Head Cap Screw
HSFCHCS	Hex Socket Flat Countersunk Head Cap Screw
HSHCS	Hex Socket Head Cap Screw
HSSS	Hex Socket Head Screw
HTLN	Hex Top Lock Nut
HWHCS	Hex Washer Head Cap Screw

HWHMS	Hex Washer Head Machine Screw
HXBHCS	Hex Socket Button Head Cap Screw
J	Hex Jam Nut
JIC	37 Degree Tapered Thread
L	Helical Spring Lock Washer
LUG	Lug Bolt
NFC	National Fine Cap Screw
NPSM	National Pipe Straight Mechanical
NPTF	National Pipe Taper Fuel
P	Wide Plain Washer
PHMS	Pan Head Machine Screw
PLOW	Plow Bolt
RHMS	Round Head Machine Screw
RHSNB	Round Head Square Neck Bolt
SCREW LEVELING	Leveling Screw
SCREW THUMB	Thumb Screw
SCREW WELD	Weld Screw
SFCHMS	Slotted Flat Countersunk Head Machine Screw
SFHMS	Slotted Fillister Head Machine Screw
SP	Special
SP SCREW	Special Screw
SQHSS	Square Head Set Screw
SRHMS	Slotted Round Head Machine Screw
SSS	Socket Set Screw
STCS	Self Tapping Cap Screw
STHMS	Slotted Truss Head Machine Screw
WHEEL	Wheel Studs and Hub Long Bolts
WING	Wing Bolt

Replacement Hardware

The **Hardware Legend** above lists hardware abbreviations used in the parts list. All bolts and nuts are Grade 5 unless otherwise noted. The use of improper grades of hardware can result in personal injury, damage to equipment, or loss of property.

Colored Replacement Parts

Land Pride offers replacement parts in factory standard colors and also on select models in Green, Orange, Red and Blue. Because of the variety of colors available, special attention must be given to the part number to prevent ordering the wrong replacement part.

A suffix number corresponding to one of the colors below must be added at the end of Land Pride's part number when ordering a replacement part with that color.

81 Green 83 Red
82 Orange 84 Blue

For example, if you are ordering a replacement part with part number 555-555C and the part you need is red, then add the suffix 83 to the end of the number to make the part number read 555-555C83. Parts ordered without a suffix number will be supplied in factory standard colors.

Black Replacement Parts

Some parts are factory standard black and some must be special ordered black. If your part is special ordered black, a second part number with the additional suffix number 85 on the end will be available. In this situation you must order that part with the suffix number for it to be black. Parts that are factory standard black will not have the suffix number.

Part Number Service Coding

Within the parts list some part numbers are coded for revisions and interchangeability. See notations in revision column.

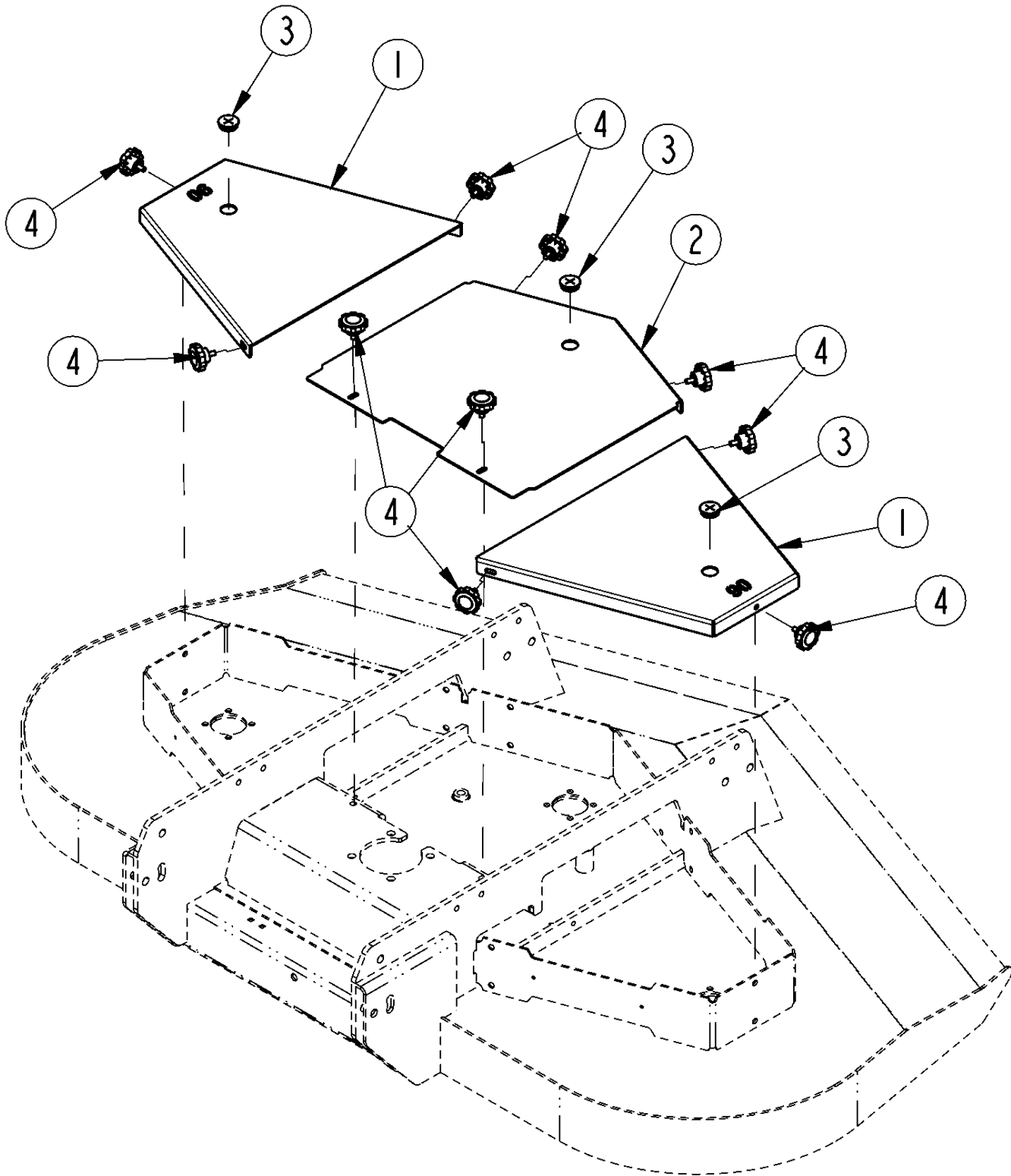
Serial Numbers

Always use the serial and model number when ordering parts. Refer to the Operator's Manual for serial number plate location.

- (S/N 20001+) Includes serial numbers 20001 and above (to the latest number)
- (S/N 10001 to 20000) Includes serial numbers between and including 10001 and 20000
- (S/N 10000-) Includes serial numbers 10000 and below (to the earliest number)

Belt Covers

Applies to FDR3690



33492

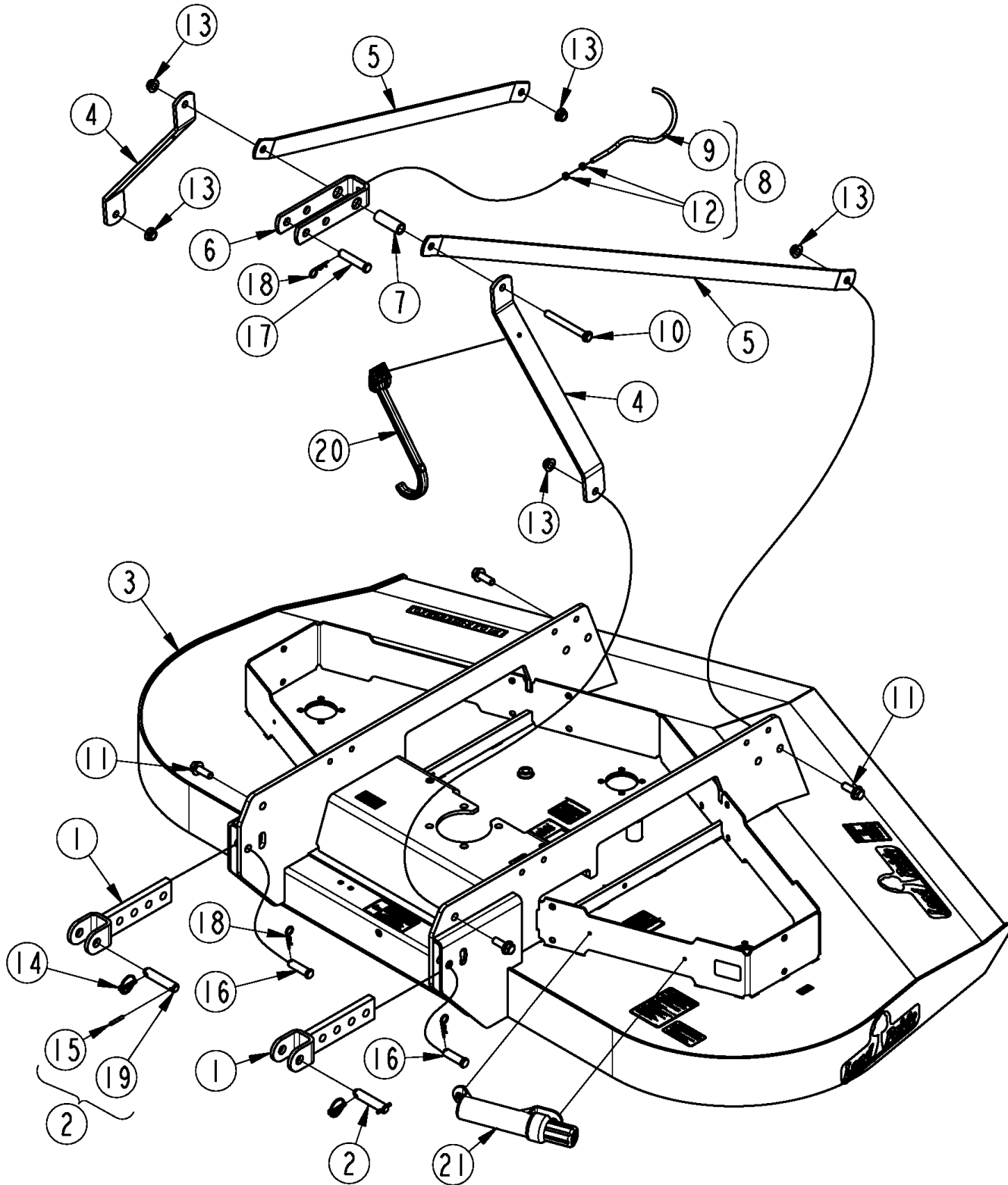
Belt Covers

Applies to FDR3690

Ref	Part No.	Part Description	Comments	Revision
	dwg33492	Drawing Image Number		
1.	310-723D	COVER, OUTER BELT		
2.	310-724D	COVER, INNER BELT		
3.	816-298C	RUBBER PLUG 1 3/8 W/CROSS SLIT		
4.	817-358C	KNOB 3/8-16 MALE THD 2 3/8OD		

Deck & Hitch

Applies to FDR3690



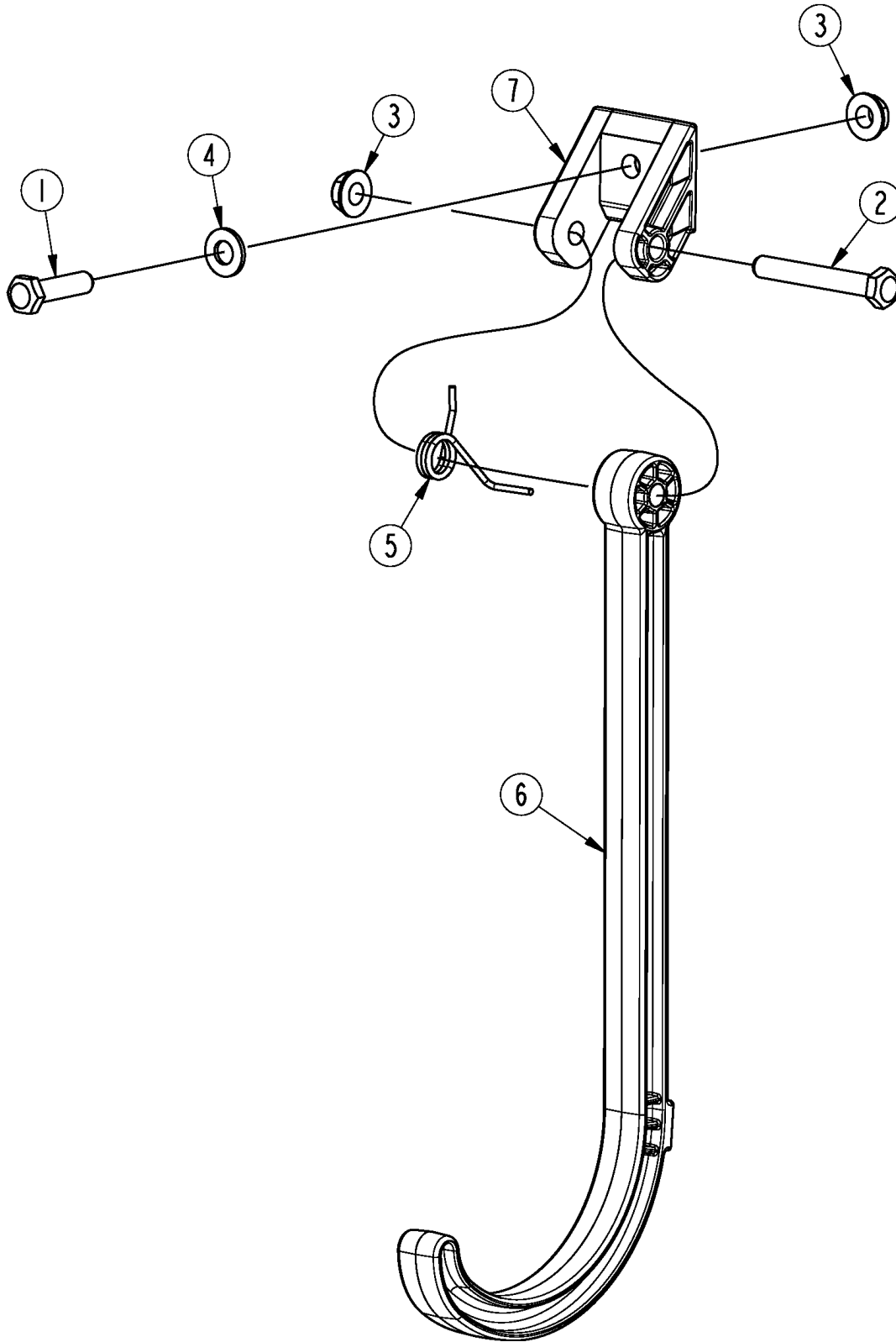
33491

Deck & Hitch**Applies to FDR3690**

Ref	Part No.	Part Description	Comments	Revision
	Dwg 33491	Drawing Image Number		
1.	310-019H	LOWER HITCH WELDMENT		
1.	310-019H81	LOWER HITCH WELDMENT GREEN		
1.	310-019H85	LOWER HITCH WELDMENT BLACK		
2.	310-020S	LOWER HITCH PIN		
3.	310-448S	ASSY, FDR3690 DECK		
3.	310-448S81	ASSY, GREEN FDR3690 DECK		
3.	310-448S82	ASSY, ORANGE FDR3690 DECK		
4.	310-474D	A-FRAME		
4.	310-474D81	A-FRAME GREEN		
4.	310-474D82	A-FRAME ORANGE		
4.	310-474D83	A-FRAME RED		
4.	310-474D85	A-FRAME BLACK		
5.	310-496D	REAR BRACE		
5.	310-496D81	REAR BRACE GREEN		
5.	310-496D82	REAR BRACE ORANGE		
5.	310-496D85	REAR BRACE BLACK		
6.	312-609D	PIVOTING UPPER HITCH		
6.	312-609D81	PIVOTING UPPER HITCH GREEN		
6.	312-609D82	PIVOTING UPPER HITCH ORANGE		
6.	312-609D83	PIVOTING UPPER HITCH RED		
6.	312-609D85	PIVOTING UPPER HITCHBLACK		
7.	312-610D	SPACER TUBE 1 1/8 OD X 3 1/8		
8.	800-320C	DRIVELINE HOOK HANGER W/HRDWR	S/N 1063627-	
9.	N/A	DRIVELINE HOOK	S/N 1063627-	
10.	802-254C	HHCS 5/8-11X5 1/2 GR5		
11.	802-657C	HFS 5/8-11 X 1 3/4 GR8		
12.	803-014C	NUT HEX 3/8-16 PLT		
13.	803-263C	NUT HEX FLANGE LOCK 5/8-11 PLT		
14.	805-015C	PIN LINCH 5/16 X 1 3/4		
15.	805-041C	PIN ROLL 1/4X1 3/4		
16.	805-140C	PIN CLEVIS 3/4 X 2 1/2 PLT		
17.	805-142C	PIN CLEVIS 3/4 X 3 1/2 PLT		
18.	805-143C	PIN HAIR COTTER .120 PLT		
19.	805-198C	PIN LOWER HITCH 7/8X3 1/16USBL		
20.	327-143S	DRIVELINE HOLDER W/HARDWARE	S/N 1063628 to S/N _____ See "Driveline Hanger (327-143S)" page for parts breakdown	
20.	327-182S	DRIVELINE HANGER W/HARDWARE	S/N _____ + See "Driveline Hanger (327-182S)" page for parts breakdown	
21.	326-095S	MANUAL CONTAINER KIT, 1 1/4	For a parts breakdown see "Manual Tube" page	

Driveline Hanger (327-143S)

Applies to FDR3690



72257

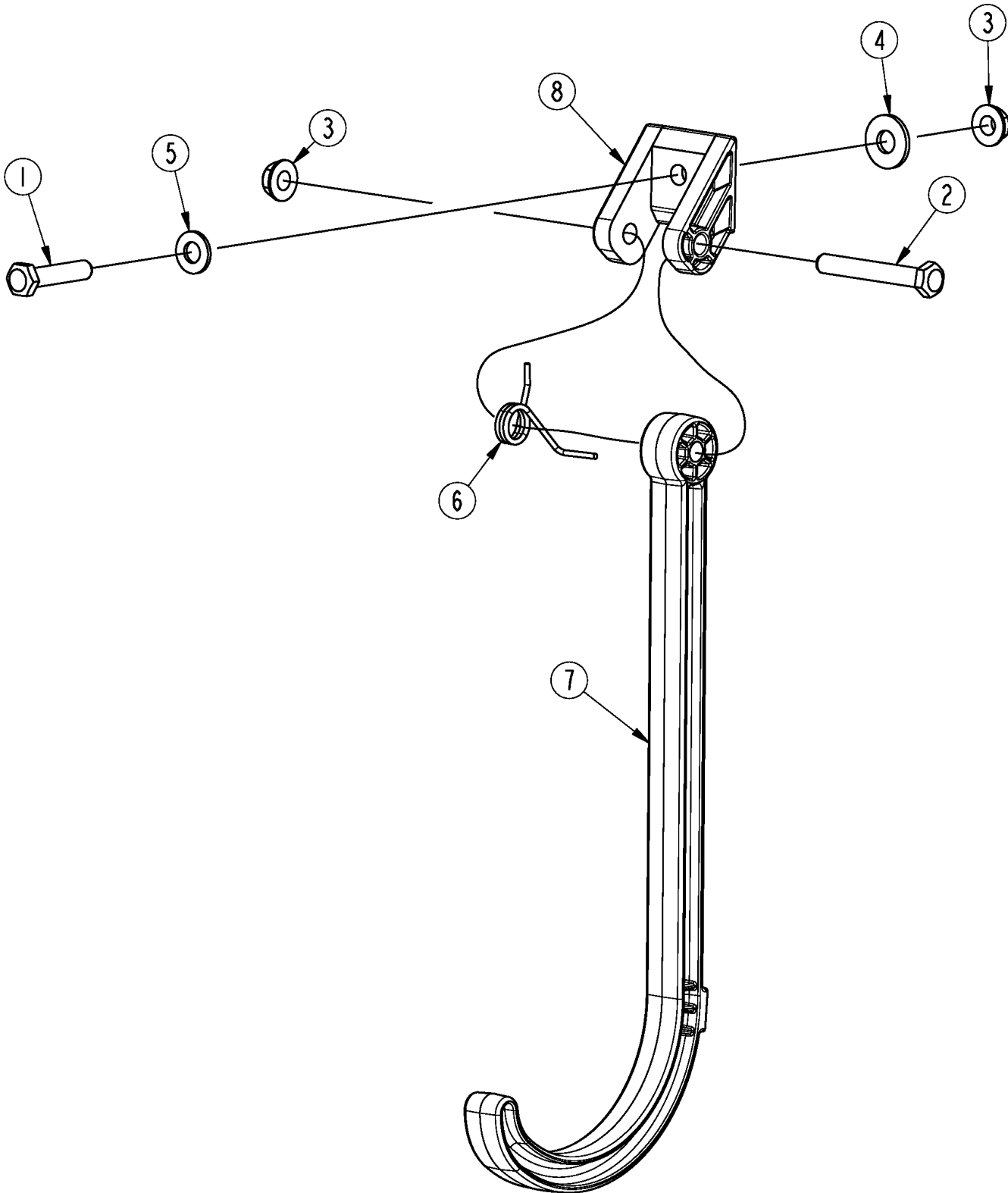
Driveline Hanger (327-143S)

Applies to FDR3690

Ref	Part No.	Part Description	Comments	Revision
	Dwg 72257 327-143S	Image No. DRIVELINE HOLDER W/HARDWARE *		
1.	802-010C	HHCS 5/16-18X1 1/4 GR5		
2.	802-138C	HHCS 5/16-18X2 1/4 GR5		
3.	803-177C	NUT HEX FLG TP LK 5/16-18ZN		
4.	804-036C	WASHER FLAT 5/16 SAE PLT		
5.	807-350C	SPRING TORSION DRVLN HLDER		
6.	837-062C	DRIVELINE HOOK		
7.	837-063C	MOUNT DRIVELINE HOOK		

Driveline Hanger (327-182S)

Applies to FDR3690



72260

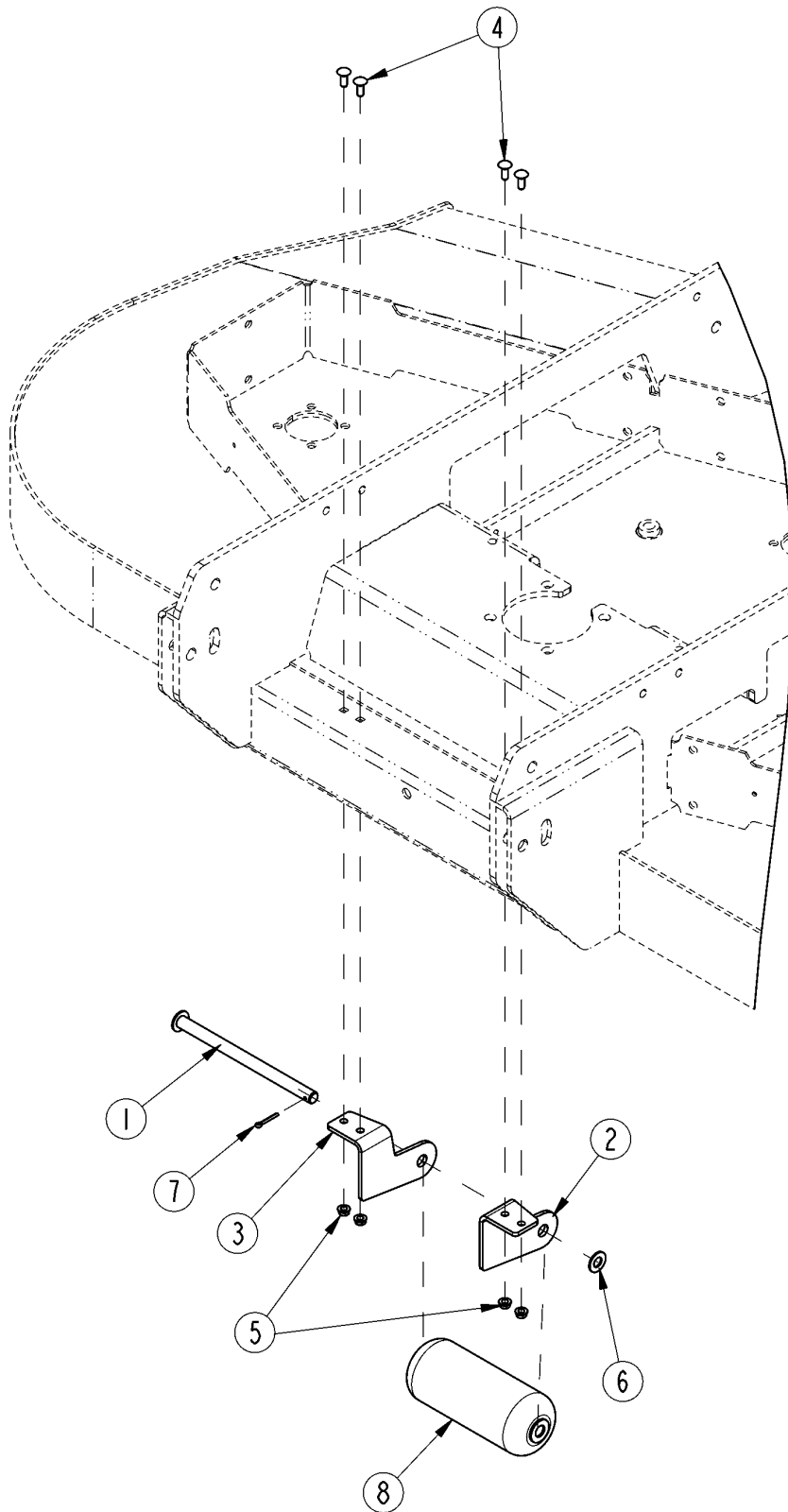
Driveline Hanger (327-182S)

Applies to FDR3690

Ref	Part No.	Part Description	Comments	Revision
	Dwg 72257 327-182S	Image No. DRIVELINE HANGER W/HARDWARE *		
1.	802-012C	HHCS 5/16-18X1 1/2 GR5		
2.	802-138C	HHCS 5/16-18X2 1/4 GR5		
3.	803-177C	NUT HEX FLG TP LK 5/16-18ZN		
4.	804-010C	WASHER FLAT 5/16 USS PLT		
5.	804-036C	WASHER FLAT 5/16 SAE PLT		
6.	807-350C	SPRING TORSION DRVLN HLDER		
7.	837-062C	DRIVELINE HOOK		
8.	837-063C	MOUNT DRIVELINE HOOK		

Front Roller

Applies to FDR3690



33493

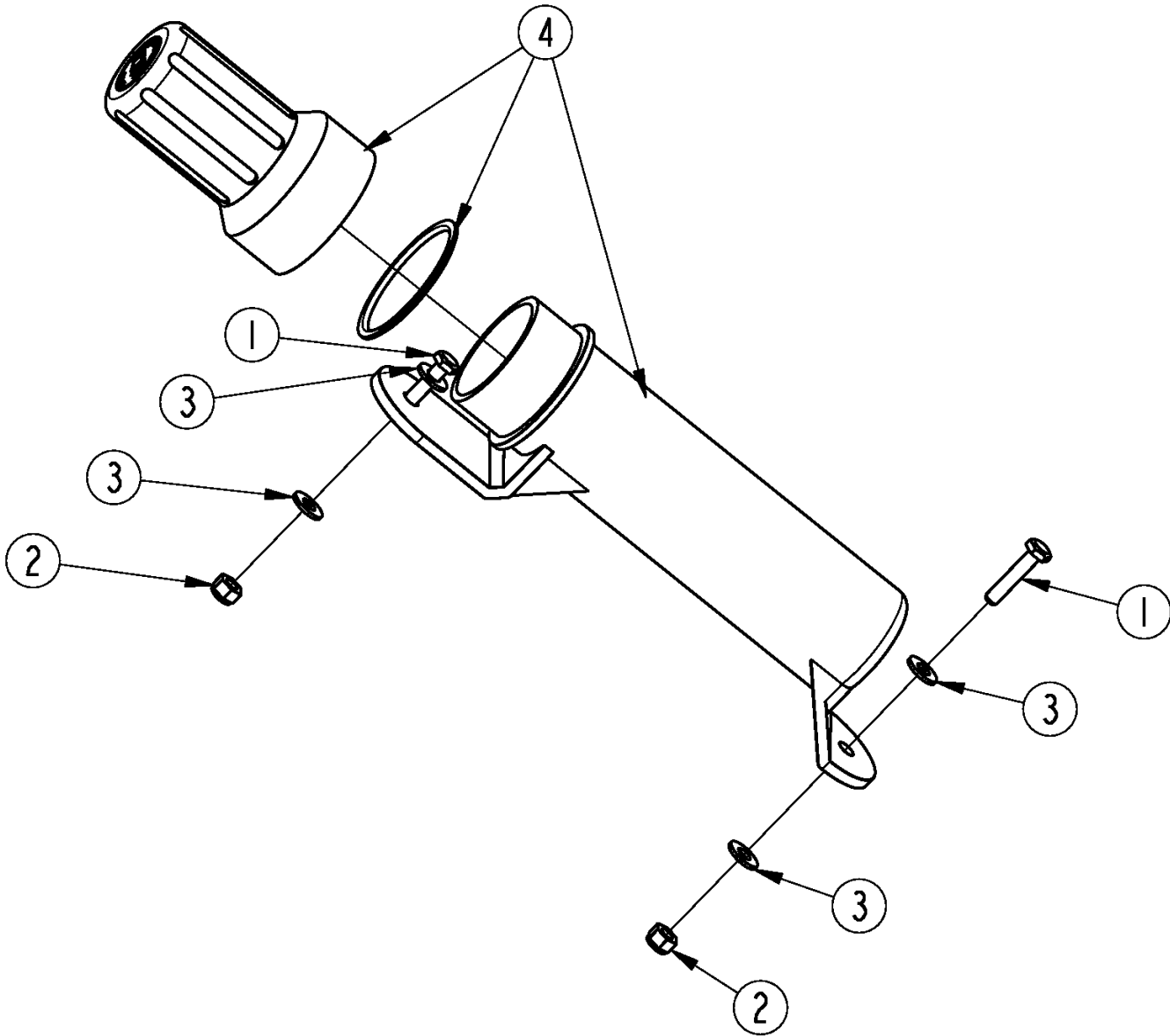
Front Roller

Applies to FDR3690

Ref	Part No.	Part Description	Comments	Revision
	Dwg 33493	Drawing Image Number		
1.	310-266H	WLDMT. ROLLER SHAFT		
2.	310-721D	MOUNT, LH ROLLER WHEEL		
3.	310-722D	MOUNT, RH ROLLER WHEEL		
4.	802-015C	RHSNB 3/8-16X1 GR5		
5.	803-198C	NUT HEX WHIZ 3/8-16 PLT		
6.	804-025C	WASHER FLAT 3/4 SAE PLT		
7.	805-016C	PIN COTTER 3/16 X 1 1/4 PLT		
8.	817-049C	4 X 10 ROLLER WHEEL		

Manual Tube

Applies to FDR3690



39163

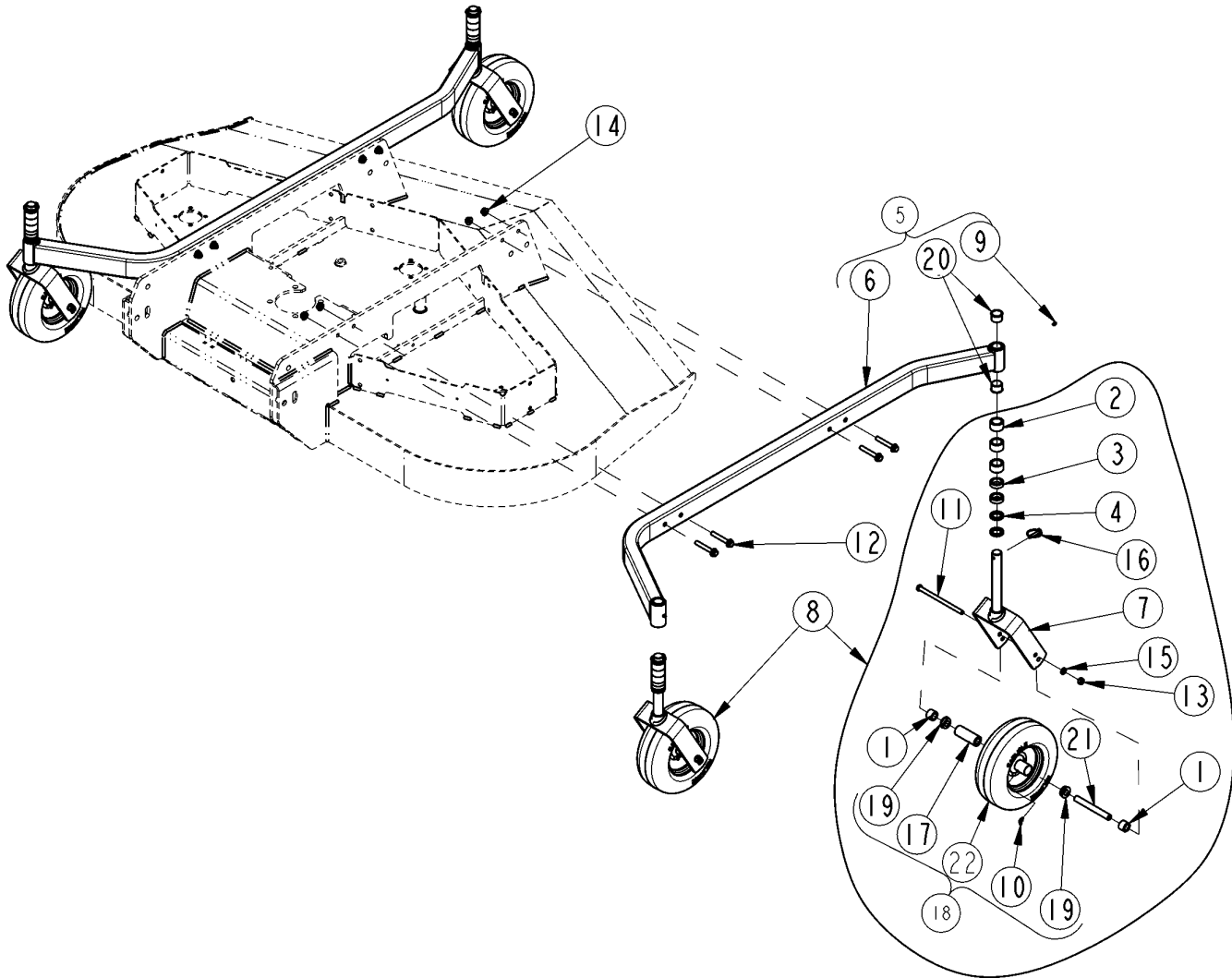
Manual Tube

Applies to FDR3690

Ref	Part No.	Part Description	Comments	Revision
	Dwg 39163	Image No.		
	326-095S	MANUAL CONTAINER KIT, 1 1/4 *		
1.	802-224C	HHCS 1/4-20X1 1/4 GR5		
2.	803-255C	NUT HEX NYLOCK 1/4-20		
3.	804-007C	WASHER FLAT 1/4 SAE PLT		
4.	816-504C	MANUAL STORAGE CONTAINER		

Gauge Wheel Components

Applies to FDR3690



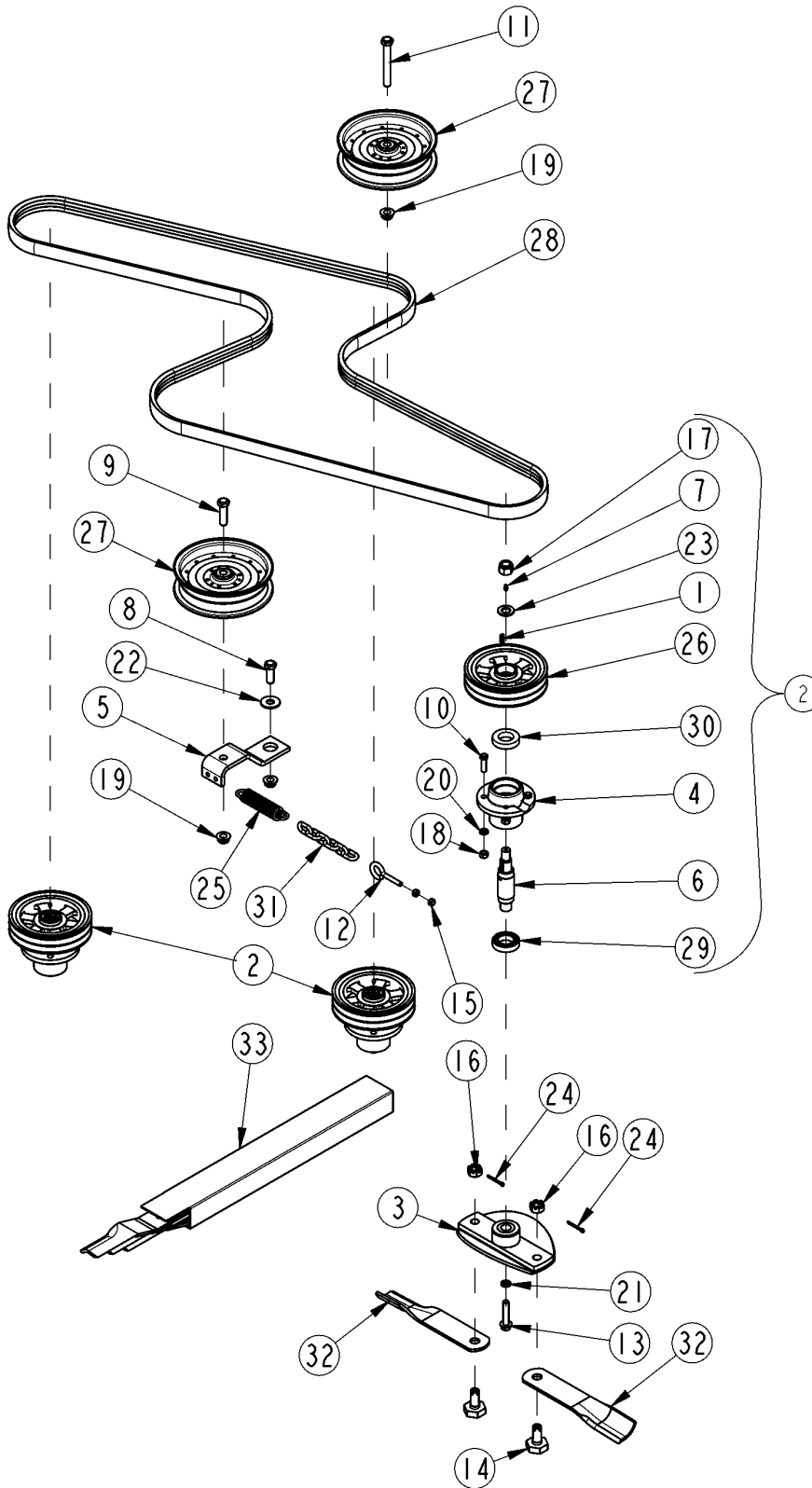
33494

Gauge Wheel Components**Applies to FDR3690**

Ref	Part No.	Part Description	Comments	Revision
	dwg33494	Drawing Image Number		
1.	310-250D	SPACER TUBE-SH. G.W.		
2.	310-251D	G.W. SPACER 1		
3.	310-252D	G.W. SPACER 1/2		
4.	310-359D	GW SPACER 1/4		
5.	310-438S	ASSY, FDR3690 GAUGE WHEEL MNT		
5.	310-438S81	ASSY, GREEN GAUGE WHEEL MOUNT		
5.	310-438S82	ASSY, ORANGE GAUGE WHEEL MOUNT		
6.	310-439H	WLDMNT, FDR3690 GAUGE WHEEL		
6.	310-439H81	WLDMNT, GREEN 3690 GAUGE WHEEL		
6.	310-439H82	WLDMNT, ORANG 3690 GAUGE WHEEL		
7.	310-440H	WLDMNT, 3690 GAUGE WHEEL YOKE		
8.	310-441S	ASSY, 13X5 SEMI SOLID TIRE/YOK		
9.	800-001C	GREASE ZERK STRAIGHT 1/4-28		
10.	800-058C	GREASE ZERK 1/4-28 X 45-DEG		
11.	802-305C	HHCS 1/2-20X8 GR5		
12.	842-013C	HFS 1/2-13X3-1/4 GR8 PLT	S/N 745541+	
12.	802-658C	HFS 1/2-13 X 3 1/2 GR5 PLT	S/N 745540-	
13.	803-018C	NUT HEX 1/2-20 PLT		
14.	803-037C	NUT HEX WHIZ 1/2-13 PLT		
15.	804-015C	WASHER LOCK SPRING 1/2 PLT		
16.	805-015C	PIN LINCH 5/16 X 1 3/4		
17.	822-222C	BRG,.75X1.38X3.75L ROLLER		
18.	814-272C	TIRE 13X5.0-6SEMI-SOLID SMOOTH		
19.	53-164	TILDEN RTNR 3/4IDX1 3/8OD		
20.	890-202C	GAUGE WHEEL SFT PIVOT BUSHING		
21.	827-056C	SPACER GW 3/4ODX33/64IDX6 3/8L		
22.	N/A	Tire & Rim		

Blade Drive Components

Applies to FDR3690



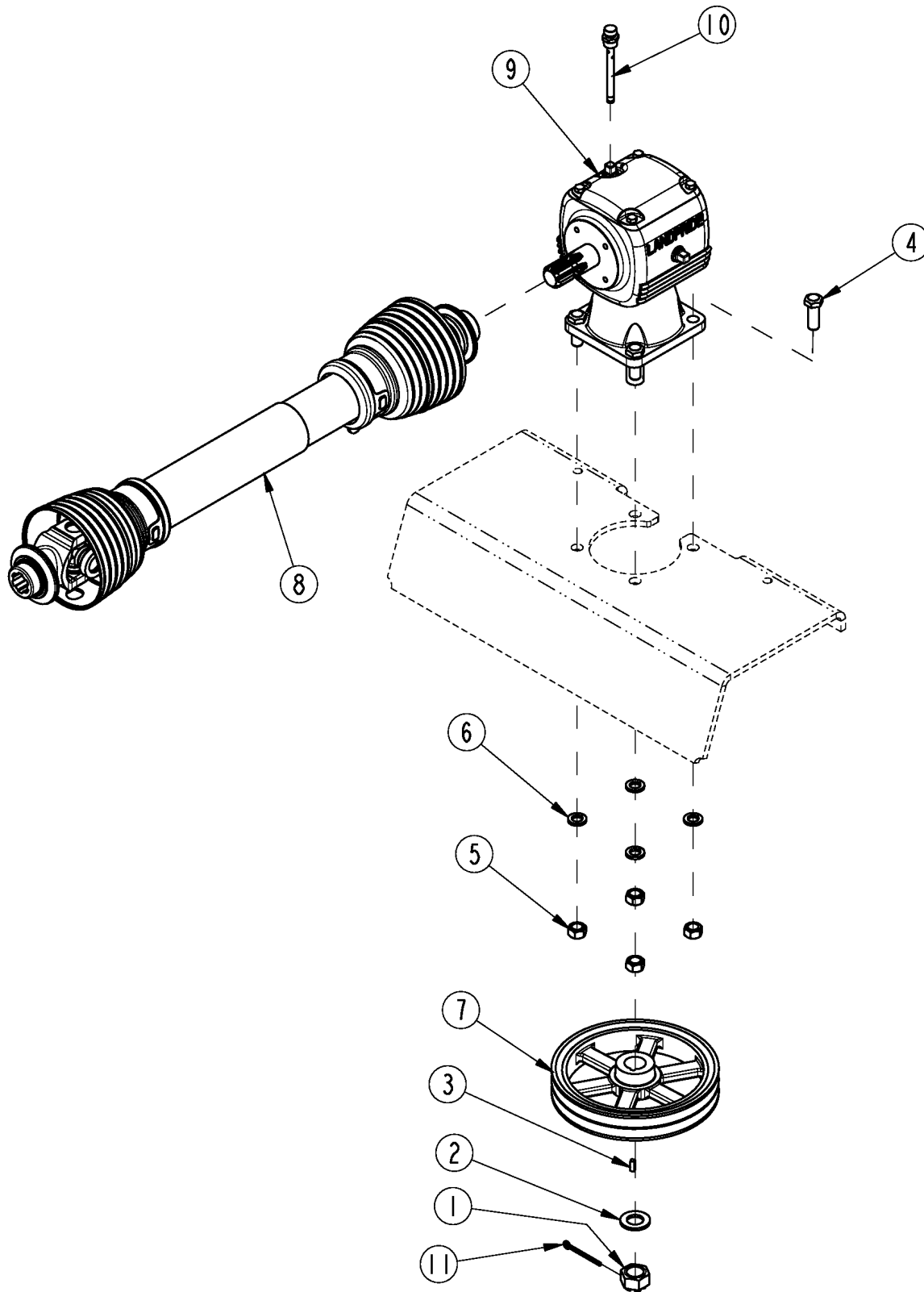
33495

Blade Drive Components**Applies to FDR3690**

Ref	Part No.	Part Description	Comments	Revision
	Dwg 33495	Drawing Image Number		
1.	172-242D	1/4 SQ. KEY X 7/8 LG		
2.	310-435S	ASSY, TG CW DUAL GRV SPINDLE		
3.	310-436H	CARRIER, 90° SWING AWAY BLADE		
4.	310-457D	BLADE HUB MACHINED TOP GREASE		
5.	310-493D	SPRING IDLER BRACKET	Replacement part available in black only	
6.	310-632D	BLADE SPINDLE SHAFT CW HVY TG		
7.	800-001C	GREASE ZERK STRAIGHT 1/4-28		
8.	802-053C	HHCS 5/8-11X1 3/4 GR5		
9.	802-057C	HHCS 5/8-11X2 1/4 GR5		
10.	802-229C	HHCS 7/16-20X1 1/2 GR8		
11.	802-537C	HHCS 5/8-11X4 3/4 GR5		
12.	802-668C	EYE BOLT OPEN 3/8-16X3 1/2		
13.	802-698C	HFS 1/2-20X2 1/2 GR8		
14.	802-935C	BOLT, 3/4-16 X 2.44 HEX BLD		
15.	803-014C	NUT HEX 3/8-16 PLT		
16.	803-053C	NUT HEX SLOTTED 3/4-16		
17.	803-114C	NUT LOCK 3/4-16 NYLOC COLLAR		
18.	803-115C	NUT HEX 7/16-20 PLT		
19.	803-263C	NUT HEX FLANGE LOCK 5/8-11 PLT		
20.	804-014C	WASHER LOCK 7/16 PLT		
21.	804-015C	WASHER LOCK SPRING 1/2 PLT		
22.	804-019C	WASHER FLAT 5/8 USS PLT		
23.	804-093C	WASHER FLAT 3/4 HARD ASTM F436		
24.	805-104C	PIN COTTER 3/16 X 1 1/2 PLT		
25.	807-068C	SPRING EXT BELT HANDLE		
26.	808-480C	PULLEY, 7.5" DUAL B SECTION	S/N 945962+	
26.	808-437C	RPBY 808-480C	S/N 945961-	
27.	808-439C	PULLEY, 9OD X 2WIDE IDLER	Replacement part available in black only	
28.	816-716C	VBELT, 177.7" EL KEVLAR BANDED		
29.	822-096C	BRG 1.37IDX2.44OD 6007 W/SHLD		
30.	822-162C	BRG 1.37IDX2.44OD 6007 W/SHLD		
31.	890-175C	CHAIN 5/16 PROOF X 6 LINKS PLT		
32.	891-257C	BLD, 1/4X2.5X14 CW SWING MWR		
33.	310-453A	BLADE KIT, FDR3690	6 CW Blades per Kit	

Blade Drive Gearbox

Applies to FDR3690



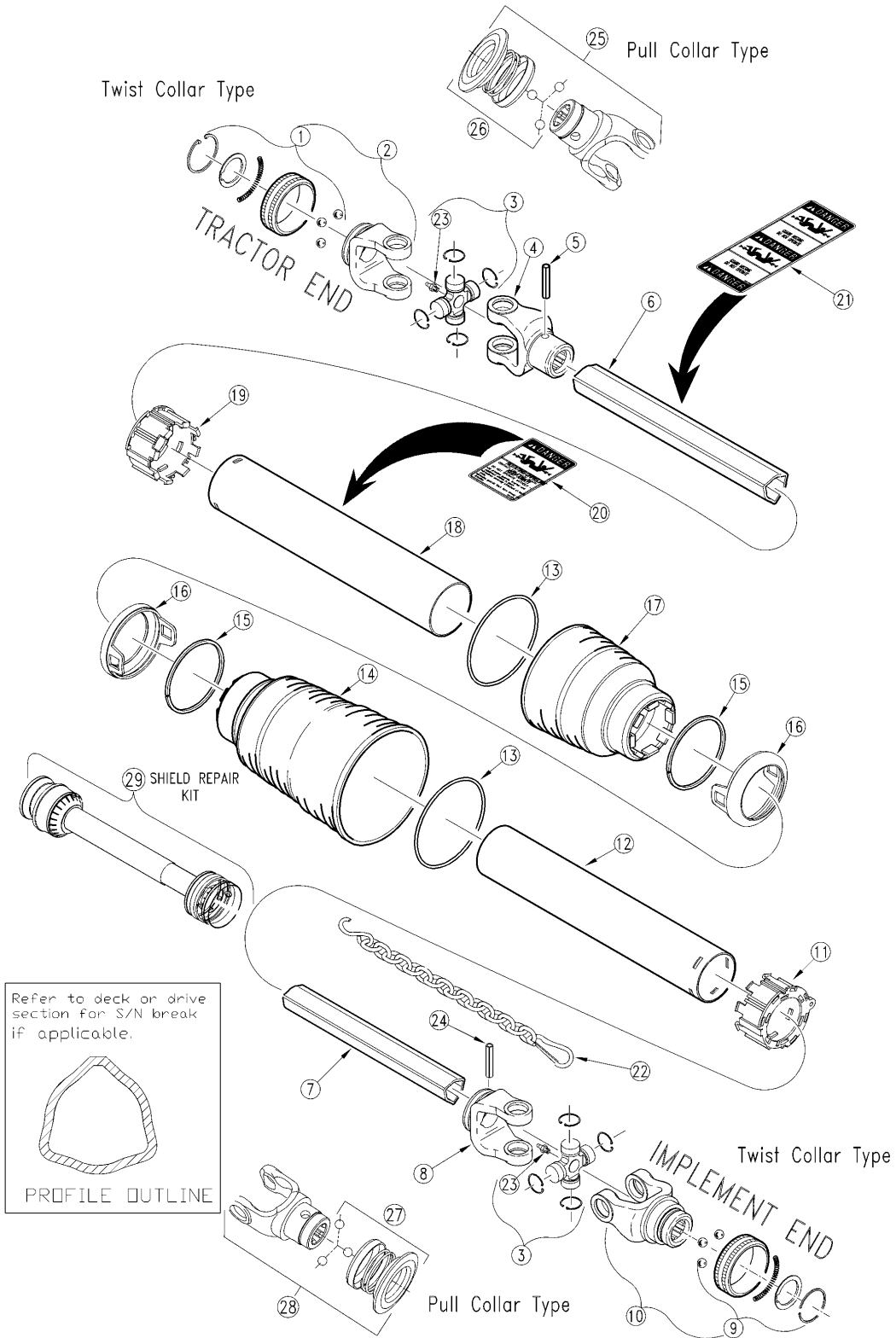
33496

Blade Drive Gearbox**Applies to FDR3690**

Ref	Part No.	Part Description	Comments	Revision
	Dwg 33496	Drawing Image Number		
1.	8.2.2.01144	NUT CASTLE M 24 X 2		
2.	8.3.2.00409	CO FLAT WASHER 25 X 44 X 4		
3.	310-331D	KEY 1/4 X 11/16 LONG		
4.	802-246C	HHCS 5/8-18X1 3/4 GR5		
5.	803-022C	NUT HEX 5/8-18 PLT		
6.	804-022C	WASHER LOCK SPRING 5/8 PLT		
7.	808-438C	PULLEY, 9.4" DUAL B SECTION		
8.	826-213C	RPBY 826-434C	S/N 997384- (Obsolete)	
8.	826-434C	DRVLN C4 26 1.38-6 QD	S/N 997385+	
9.	826-326C	GBOX MOWER 50 HP 1:2.8 CW		
10.	826-488C	COMER U0.195.7101.00 DIPSTICK		
11.	826-487C	COMER 8.4.7.00516 COTTER		

Driveline (826-213C) Eurocardan

Applies to FDR3690



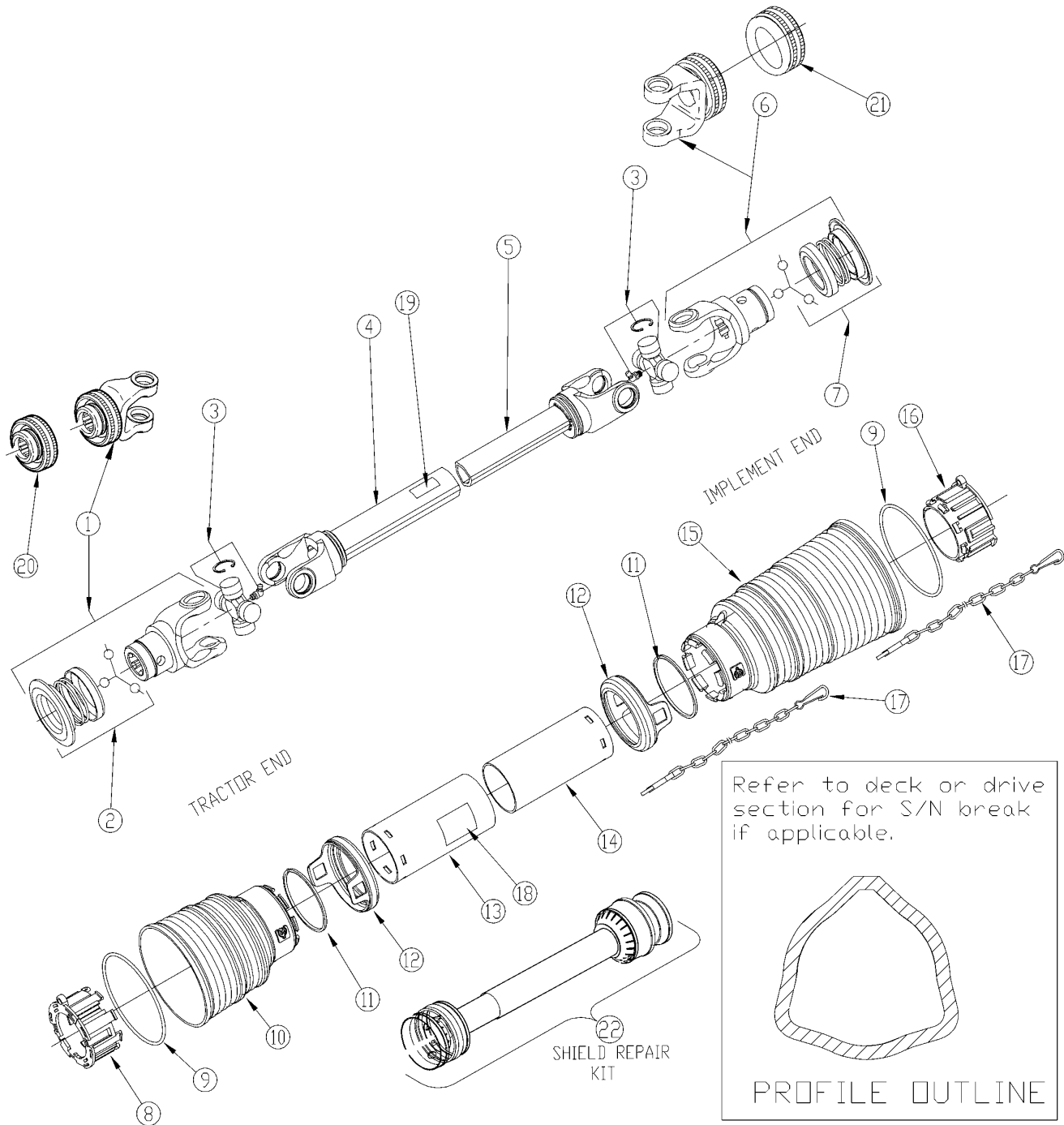
26864

Driveline (826-213C) Eurocardan**Applies to FDR3690**

Ref	Part No.	Part Description	Comments	Revision
	Dwg 26864 826-213C	Drawing Image Number RPBY 826-434C *	Obsolete	
1.	1004220	EC TWIST COLLAR KIT (TRT. END)		
2.	1016010	EC YOKE ASSEMBLY (TRACT. END)		
3.	1006020	EC CROSS ASSEMBLY		
4.	1706027	EC OUTER TUBE YOKE		
5.	6331080	EC 10X80-DIN-1481 O/TUBE R/PIN		
6.	1528048	EC OUTER TUBE		
7.	1526048	EC INNER TUBE		
8.	1706029	EC INNER TUBE YOKE		
9.	1004224	EC TWIST COLLAR KIT (IMP. END)		
10.	1116010	EC YOKE ASSY 1 3/8-6(IMP. END)		
11.	1786711	EC TUBE BEARING (INNER TUBE)		
12.	1877038	EC INNER TUBE		
13.	1215733	EC STIFFENING RING		
14.	1885704	EC LONG CONE		
15.	1215735	EC STOP RING		
16.	1885709	EC SAFETY SLEEVE		
17.	1885703	EC STANDARD CONE		
18.	1876038	EC OUTER TUBE		
19.	1786710	EC TUBE BEARING (OUTER TUBE)		
20.	818-552C	DECAL DANGER PTO DRIVELINE		
21.	818-540C	DECAL DANGER GUARD MISS PTO		
22.	044321	DRIVELINE SHIELD SAFETY CHAIN	S/N 946472-	
23.	6560508	EC GREASE ZERK 8X1 45 DEG.		
24.	6331070	EC 10X70 ROLL PIN		
25.	1016012	YOKE ASSEMBLY PULL TYPE		
26.	1004225	EC PULL COLLAR KIT		
27.	1004225	EC PULL COLLAR KIT		
28.	1016012	YOKE ASSEMBLY PULL TYPE		
29.	826-585C	SHIELD KIT, 826-213C		

Driveline (826-434C)

Applies to FDR3690



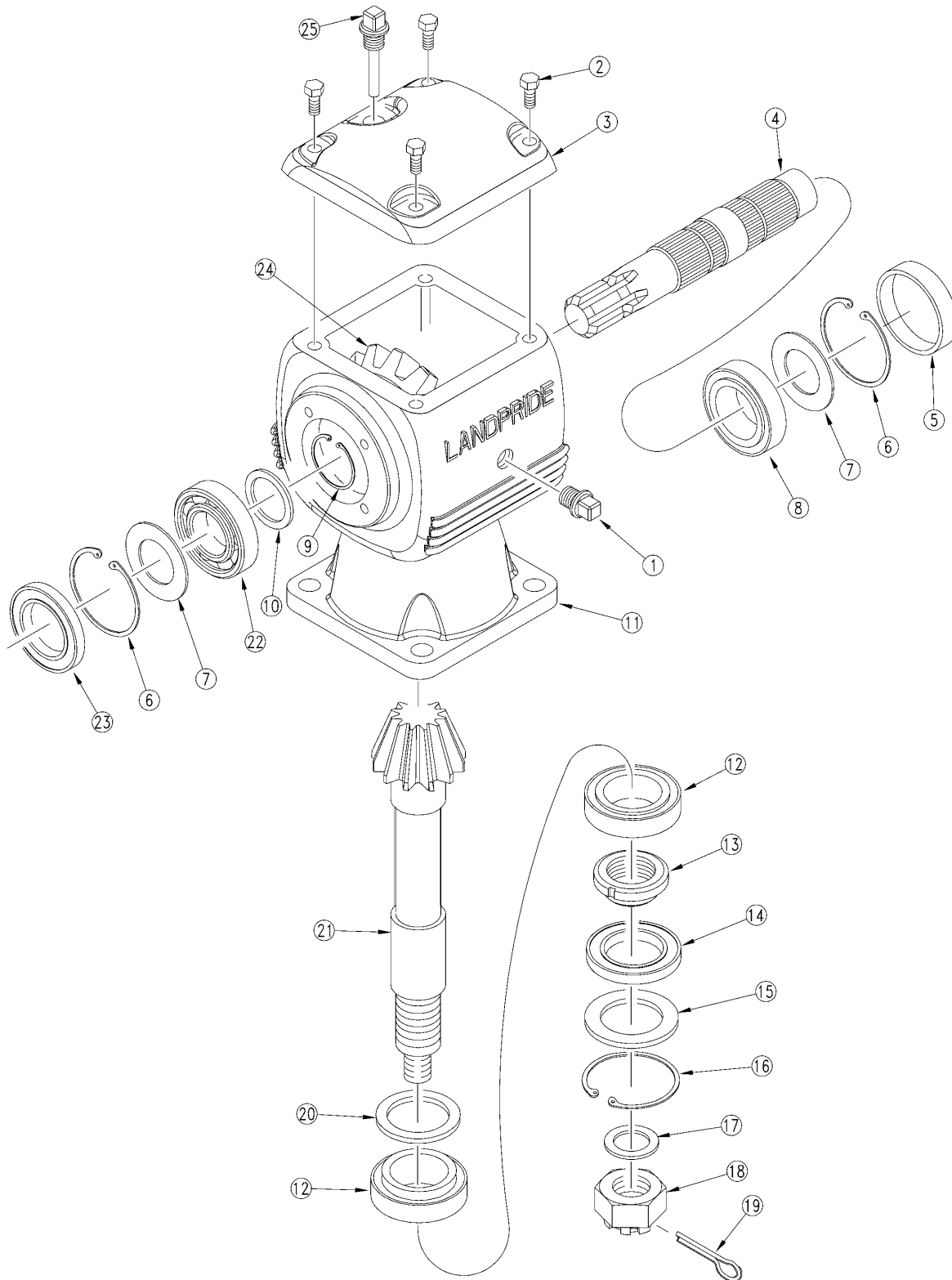
21337

Driveline (826-434C)**Applies to FDR3690**

Ref	Part No.	Part Description	Comments	Revision
	dwg21337	Drawing Image Number		
	826-434C	DRIVELINE CAT3 PR16		
1.	1015012	EC YOKE ASSEMBLY	Pull Collar	
1.	1015010	EC YOKE ASSY. (TRACTOR END)	Twist Collar	
2.	1004225	EC PULL COLLAR KIT		
3.	1005020	EC CROSS ASSEMBLY		
4.	1945045N	EC OUTER TUBE WITH YOKE		
5.	1955047N	EC INNER TUBE WITH YOKE		
6.	1015012	EC YOKE ASSEMBLY	Pull Collar	
6.	1115010	EC YOKE ASSY (IMP END)	Twist Collar	
7.	1004225	EC PULL COLLAR KIT		
8.	1785710	EC TUBE BEARING (OUTER TUBE)		
9.	1215733	EC STIFFENING RING		
10.	1885703	EC STANDARD CONE		
11.	1215735	EC STOP RING		
12.	1885709	EC SAFETY SLEEVE		
13.	1876042	EC INNER TUBE 420MM		
14.	1877042	EC INNER TUBE (1877046) 420MM		
15.	1885704	EC LONG CONE		
16.	1785711	EC TUBE BEARING (INNER TUBE)		
17.	044321	DRIVELINE SHIELD SAFETY CHAIN	S/N 946472-	
18.	818-552C	DECAL DANGER PTO DRIVELINE		
19.	818-540C	DECAL DANGER GUARD MISS PTO		
20.	1004220	EC TWIST COLLAR KIT (TRT. END)		
21.	1004224	EC TWIST COLLAR KIT (IMP. END)		
22.	826-562C	SHIELD KIT, 826-434C		

Gearbox (826-326C) Comer

Applies to FDR3690



30000

Gearbox (826-326C) Comer**Applies to FDR3690**

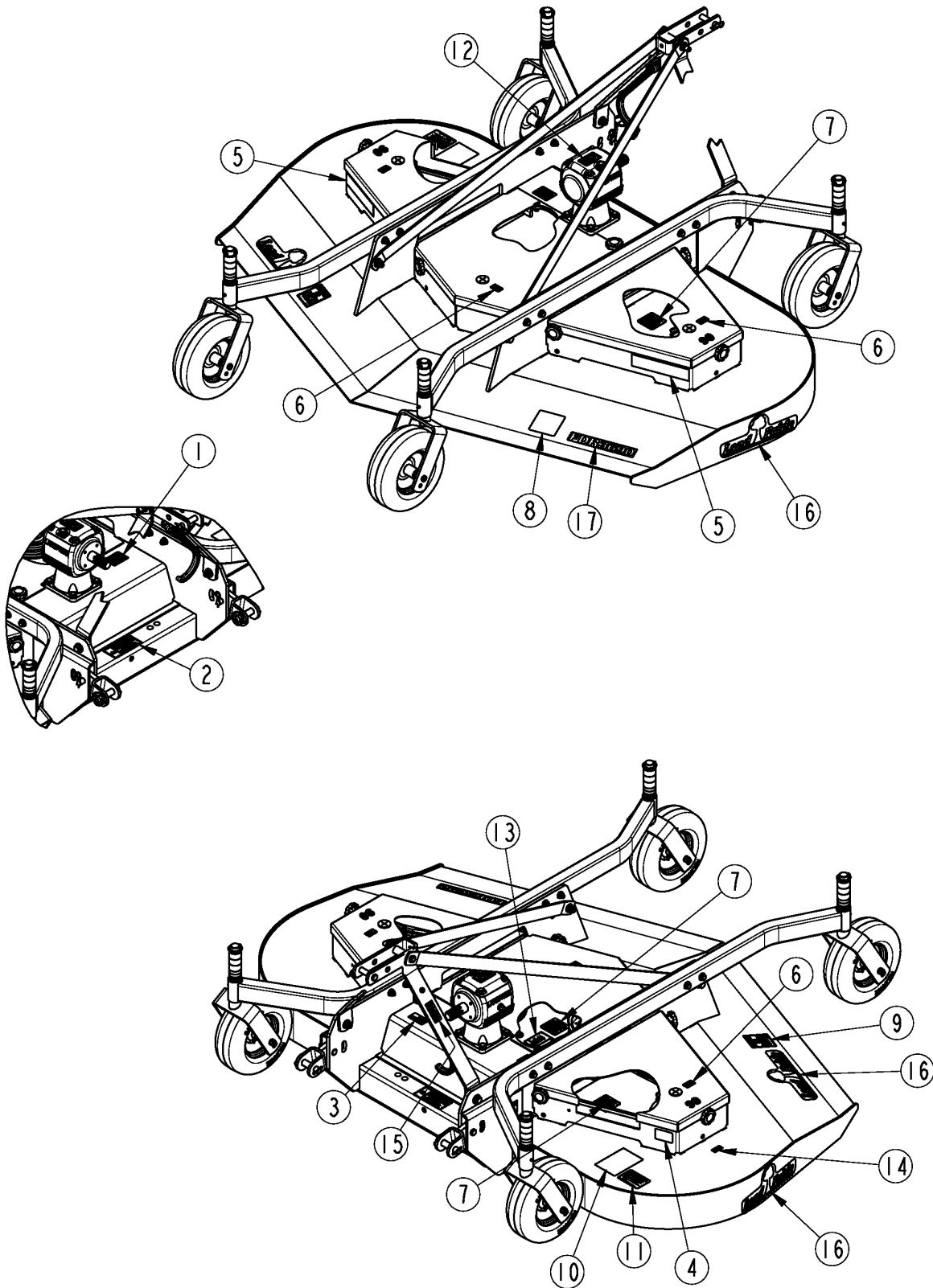
Ref	Part No.	Part Description	Comments	Revision
	Dwg 30000	Drawing Image Number		
	826-326C	GBOX MOWER 50 HP 1:2.8 CW		
1.	8.6.5.00006	CO OIL PLUG 3/8		
2.	8.1.1.00501	CO BOLT M10X22 HHB		
3.	0.195.1300.00	CO COVER		
4.	0.195.2000.00	CO INPUT SHAFT 1" 3/8 Z6		
5.	8.7.0.00744	CO CAP 72 X 10		
6.	8.5.2.00131	CO SNAP RING INT 72 UN17437		
7.	A.248.500	COMER SHIM KIT 71.7		
8.	8.0.9.00026	CO ROLLER BEARING 30207 CL-B		
9.	8.5.1.00680	CO SNAP RING 40 UNI 7436		
10.	0.259.7525.00	CO SHIM 35.3 X 48 X 2.5		
11.	0.195.0300.00	CO HOUSING		
12.	8.0.9.00102	CO ROLLER BEARING 32208 CL-B		
13.	0.278.7103.00	CO NUT M40 X 1.5		
14.	8.7.3.00081	CO OIL SEAL 35 X 80 X 10 RTA35		
15.	1.195.7100.00	CO PROTECTIVE FLAT WASHER		
16.	8.5.3.00955	CO SNAP RING SB 81		
17.	8.3.2.00409	CO FLAT WASHER 25 X 44 X 4		
18.	8.2.2.01144	NUT CASTLE M 24 X 2		
19.	8.4.7.00516	CO COTTER PIN B5 X 50		
20.	A244.501	CO SHIM 40.3 X 51.5 826-067C		
21.	0.195.5000.00	CO PINION Z12 M4.7		
22.	822-166C	BEARING BALL 6207		
23.	8.7.3.00055	CO OIL SEAL 35 X 72 X 10		
24.	0.195.6000.00	CO CROWN GEAR Z33 M4.7		
25.	U0.195.7101.00	CO OIL LEVEL PLUG 3/8" GAS		

*

Notes: Oil Type 80-90W Capacity 3.5 Pints

Decal Placement

Applies to FDR3690



33497

Decal Placement**Applies to FDR3690**

Ref	Part No.	Part Description	Comments	Revision
	Dwg 33497	Drawing Image Number		
1.	818-130C	DECAL CAUTION 540 RPM		
2.	818-142C	DECAL DANGER PTO DRIVELINE EN		
3.	818-190C	DECAL FLAG		
4.	818-229C	DECAL AMBER REFLECTOR		
5.	838-614C	DECAL REFLECTOR RED 2X9	S/N 819231+	
5.	818-230C	DECAL RED REFLECTOR	S/N 819230-	
6.	818-298C	DECAL GREASE 25HRS BLACK/WHITE		
7.	818-543C	DECAL DANGER PD GUARD MISS SML		
8.	818-555C	DECAL DANGER ROTATE BLADE		
9.	818-556C	DECAL DANGER THROWN OBJ CUTTER		
10.	818-558C	DECAL WARNING GEN SAFE MOWER		
11.	818-560C	DECAL NOTICE TO OWNER-NO WARRA		
12.	818-862C	DECAL 5 YEAR GEARBOX WARRANTY		
13.	838-270C	DECAL V-BELT INSTALLATION CW		
14.	838-417C	DECAL FDR MOWER PATENT NUMBERS		
15.	838-517C	DECAL QUICK HITCH SYSTEM		
16.	838-962C	DECAL LP 13" W/TREE BROWN/GOLD	Green & Orange Unit	
16.	818-891C	RPBY 838-962C	Beige Unit	
17.	848-819C	DECAL, FDR3690 GOLD		
17.	848-820C	RPBY 848-819C	Obsolete	

Land Pride Touch-up Paints

Applies to FDR3690

No diagram associated with this Parts List

Land Pride Touch-up Paints**Applies to FDR3690**

Ref	Part No.	Part Description	Comments	Revision
1.	821-011C	LP BEIGE SPRAY CAN	Spray can	
1.	821-011CTU	LP BEIGE TOUCH-UP 5OZ	Touch-up bottle with brush	
1.	821-011CQT	LP BEIGE QUART	Quart can	
1.	821-011CGL	LP BEIGE GALLON	Gallon can	
2.	821-070C	GLOSS BLACK SPRAY CAN	Spray can	
2.	821-070CTU	GLOSS BLACK TOUCH-UP 5OZ	Touch-up bottle with brush	
2.	821-070CQT	GLOSS BLACK QUART	Quart can	
2.	821-070CGL	GLOSS BLACK GALLON	Gallon can	
3.	821-054C	MED. RED SPRAY TRCK/CTR	Spray can	
3.	821-054CTU	MED RED TOUCH-UP 5OZ	Touch-up bottle with brush	
3.	821-054CQT	MED RED QUART	Quart can	
3.	821-054CGL	MED RED GALLON	Gallon can	
4.	821-058C	GREEN SPRAY CUTTERS	Spray can	
4.	821-058CTU	GREEN TOUCH-UP 5OZ	Touch-up bottle with brush	
4.	821-058CQT	GREEN QUART	Quart can	
4.	821-058CGL	GREEN GALLON	Gallon can	
5.	821-066C	ORANGE SPRAY CAN	Spray can	
5.	821-066CTU	ORANGE TOUCH-UP 5OZ	Touch-up bottle with brush	
5.	821-066CQT	ORANGE QUART	Quart can	
5.	821-066CGL	ORANGE GALLON	Gallon can	
6.	821-067C	BLUE SPRAY CAN	Spray can	
6.	821-067CTU	BLUE TOUCH-UP 5OZ	Touch-up bottle with brush	
6.	821-067CQT	BLUE QUART	Quart can	
6.	821-067CGL	BLUE GALLON	Gallon can	
7.	821-080C	PAINT ALUMINUM/ZINC SPRAY CAN	Spray can	
7.	821-080CTU	PAINT ALUMINUM/ZINC TOUCH UP	Touch-up bottle with brush	
7.	821-080CQT	PAINT ALUMINUM/ZINC QUART	Quart can	
7.	821-080CGL	PAINT ALUMINUM/ZINC GALLON	Gallon can	



Part Number Index

The Part Number Index is a numeric index of all part numbers included in this manual. The index shows what page(s) the part is used on.

Part Number	Page	Part Number	Page	Part Number	Page	Part Number	Page
0.195.0300.00	29	310-493D	21	804-015C	19, 21	822-162C	21
0.195.1300.00	29	310-496D	9	804-019C	21	822-166C	29
0.195.2000.00	29	310-496D81	9	804-022C	23	822-222C	19
0.195.5000.00	29	310-496D82	9	804-025C	15	826-213C	23, 25
0.195.6000.00	29	310-496D85	9	804-036C	11, 13	826-326C	23, 29
0.259.7525.00	29	310-632D	21	804-093C	21	826-434C	23, 27
0.278.7103.00	29	310-721D	15	805-015C	9, 19	826-487C	23
044321	25, 27	310-722D	15	805-016C	15	826-488C	23
1.195.7100.00	29	310-723D	7	805-041C	9	826-562C	27
1004220	25, 27	310-724D	7	805-104C	21	826-585C	25
1004224	25, 27	312-609D	9	805-140C	9	827-056C	19
1004225	25, 27	312-609D81	9	805-142C	9	837-062C	11, 13
1005020	27	312-609D82	9	805-143C	9	837-063C	11, 13
1006020	25	312-609D83	9	805-198C	9	838-270C	31
1015010	27	312-609D85	9	807-068C	21	838-417C	31
1015012	27	312-610D	9	807-350C	11, 13	838-517C	31
1016010	25	326-095S	9, 17	808-437C	21	838-614C	31
1016012	25	327-143S	9, 11	808-438C	23	838-962C	31
1115010	27	327-182S	9, 13	808-439C	21	842-013C	19
1116010	25	53-164	19	808-480C	21	848-819C	31
1215733	25, 27	6331070	25	814-272C	19	848-820C	31
1215735	25, 27	6331080	25	816-298C	7	890-175C	21
1526048	25	6560508	25	816-504C	17	890-202C	19
1528048	25	8.0.9.00026	29	816-716C	21	891-257C	21
1706027	25	8.0.9.00102	29	817-049C	15	A.248.500	29
1706029	25	8.1.1.00501	29	817-358C	7	A244.501	29
172-242D	21	8.2.2.01144	23, 29	818-130C	31	Dwg 26864	25
1785710	27	8.3.2.00409	23, 29	818-142C	31	Dwg 30000	29
1785711	27	8.4.7.00516	29	818-190C	31	Dwg 33491	9
1786710	25	8.5.1.00680	29	818-229C	31	Dwg 33493	15
1786711	25	8.5.2.00131	29	818-230C	31	Dwg 33495	21
1876038	25	8.5.3.00955	29	818-298C	31	Dwg 33496	23
1876042	27	8.6.5.00006	29	818-540C	25, 27	Dwg 33497	31
1877038	25	8.7.0.00744	29	818-543C	31	Dwg 39163	17
1877042	27	8.7.3.00055	29	818-552C	25, 27	Dwg 72257	11, 13
1885703	25, 27	8.7.3.00081	29	818-555C	31	dwg21337	27
1885704	25, 27	800-001C	19, 21	818-556C	31	dwg33492	7
1885709	25, 27	800-058C	19	818-558C	31	dwg33494	19
1945045N	27	800-320C	9	818-560C	31	N/A	9, 19
1955047N	27	802-010C	11	818-862C	31	U0.195.7101.00	29
310-019H	9	802-012C	13	818-891C	31		
310-019H81	9	802-015C	15	821-011C	33		
310-019H85	9	802-053C	21	821-011CGL	33		
310-020S	9	802-057C	21	821-011CQT	33		
310-250D	19	802-138C	11, 13	821-011CTU	33		
310-251D	19	802-224C	17	821-054C	33		
310-252D	19	802-229C	21	821-054CGL	33		
310-266H	15	802-246C	23	821-054CQT	33		
310-331D	23	802-254C	9	821-054CTU	33		
310-359D	19	802-305C	19	821-058C	33		
310-435S	21	802-537C	21	821-058CGL	33		
310-436H	21	802-657C	9	821-058CQT	33		
310-438S	19	802-658C	19	821-058CTU	33		
310-438S81	19	802-668C	21	821-066C	33		
310-438S82	19	802-698C	21	821-066CGL	33		
310-439H	19	802-935C	21	821-066CQT	33		
310-439H81	19	803-014C	9, 21	821-066CTU	33		
310-439H82	19	803-018C	19	821-067C	33		
310-440H	19	803-022C	23	821-067CGL	33		
310-441S	19	803-037C	19	821-067CQT	33		
310-448S	9	803-053C	21	821-067CTU	33		
310-448S81	9	803-114C	21	821-070C	33		
310-448S82	9	803-115C	21	821-070CGL	33		
310-453A	21	803-177C	11, 13	821-070CQT	33		
310-457D	21	803-198C	15	821-070CTU	33		
310-474D	9	803-255C	17	821-080C	33		
310-474D81	9	803-263C	9, 21	821-080CGL	33		
310-474D82	9	804-007C	17	821-080CQT	33		
310-474D83	9	804-010C	13	821-080CTU	33		
310-474D85	9	804-014C	21	822-096C	21		

This Page Intentionally Left Blank



Great Plains Manufacturing, Inc.

Corporate Office: P.O. Box 5060
Salina, Kansas 67402-5060 USA

www.landpride.com
