

Assembly Instructions

**FD15, FDR15, FD25, AT25 & AT3590
Front Roller Kit**



When you see this symbol, the subsequent instructions and warnings are serious - follow without exception. Your life and the lives of others depend on it!

Before You Start

These option assembly instructions contain only information on assembling the attachment to the main unit. A detailed Operator's Manual was supplied with the main unit when it was purchased. For more specific information on safety concerns refer to the Operator's Manual. Also included in the Operator's Manual is important information on operation, adjustment, troubleshooting, and maintenance for this attachment (some of these sections do not apply to all options).

A separate Parts Manual for replacement parts can be purchased from your dealer or download free of charge from our website at www.landpride.com. Have model and serial numbers handy when placing an order.

Manual Part Numbers:

- **310-148m Manual FD2560, FD2572, AT2560 & AT2572 3-Spindle Grooming Mower**
- **310-155m Manual FD1548 & FD1560 3-Spindle Grooming Mower**
- **310-157m Manual AT3590 3-Spindle Grooming Mower**

- **310-188m Manual FDR1548 3-Spindle Rear Discharge Grooming Mower**
 - **310-001p Manual FD15, FD25, Grooming Mower**
 - **310-066p Manual FDR15 Grooming Mower**
 - **310-002p Manual AT25, AT35 Grooming Mower**
- General Information**

These kits are designed to adapt to the following Land Pride Grooming Mowers:

310-133S	FD1560, FD1548
310-210S	FDR1548, FDR1560 & FDR1572
310-050S	FD2560 & FD2572
310-041S	AT2560 & AT2572
310-111A	AT3590

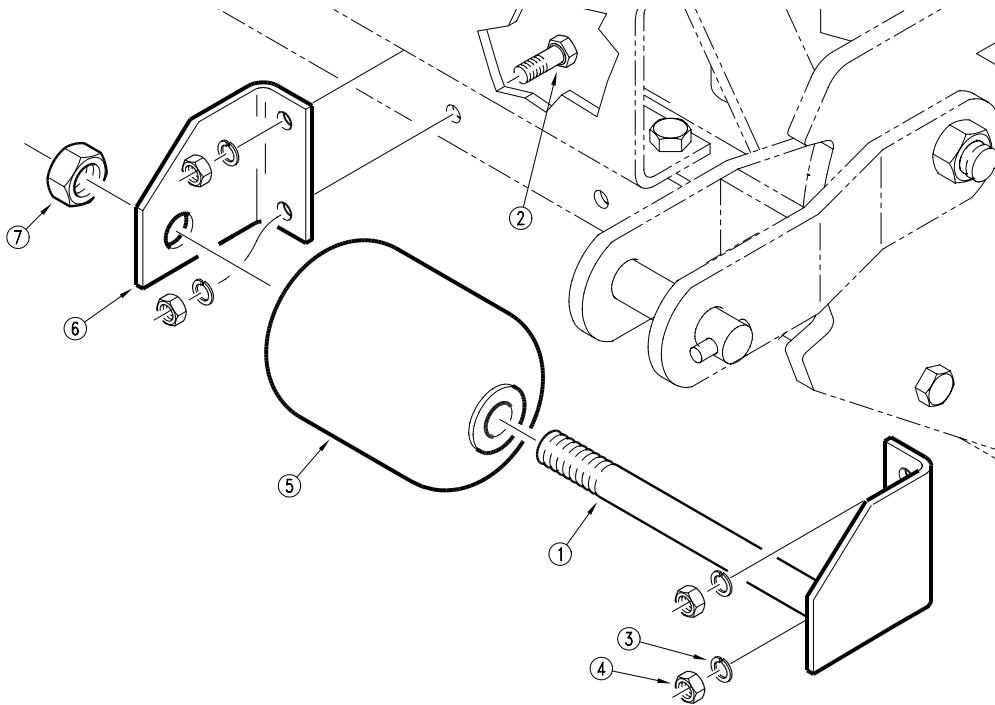
Starting on page 4 is a detailed listing of parts included in this kit. Use this list as a checklist to inventory parts received.

Assembly Instructions

FDR15 Front Roller (310-210S)

Refer to Figure 1:

Assemble the front roller bracket (#1) with the 3/8" bolts (#2) 3/8" lock washers (#3) and 3/8" nuts (#4) to the mower deck as shown. Place the roller (#5) on the roller bracket (#1). Assemble the roller mount (#6) to the deck using the 3/8" hardware. Secure the roller mount (#6) to the roller bracket (#1) with the 3/4" lock nut (#7).



**FDR15 Front Roller
Figure 1**

15789

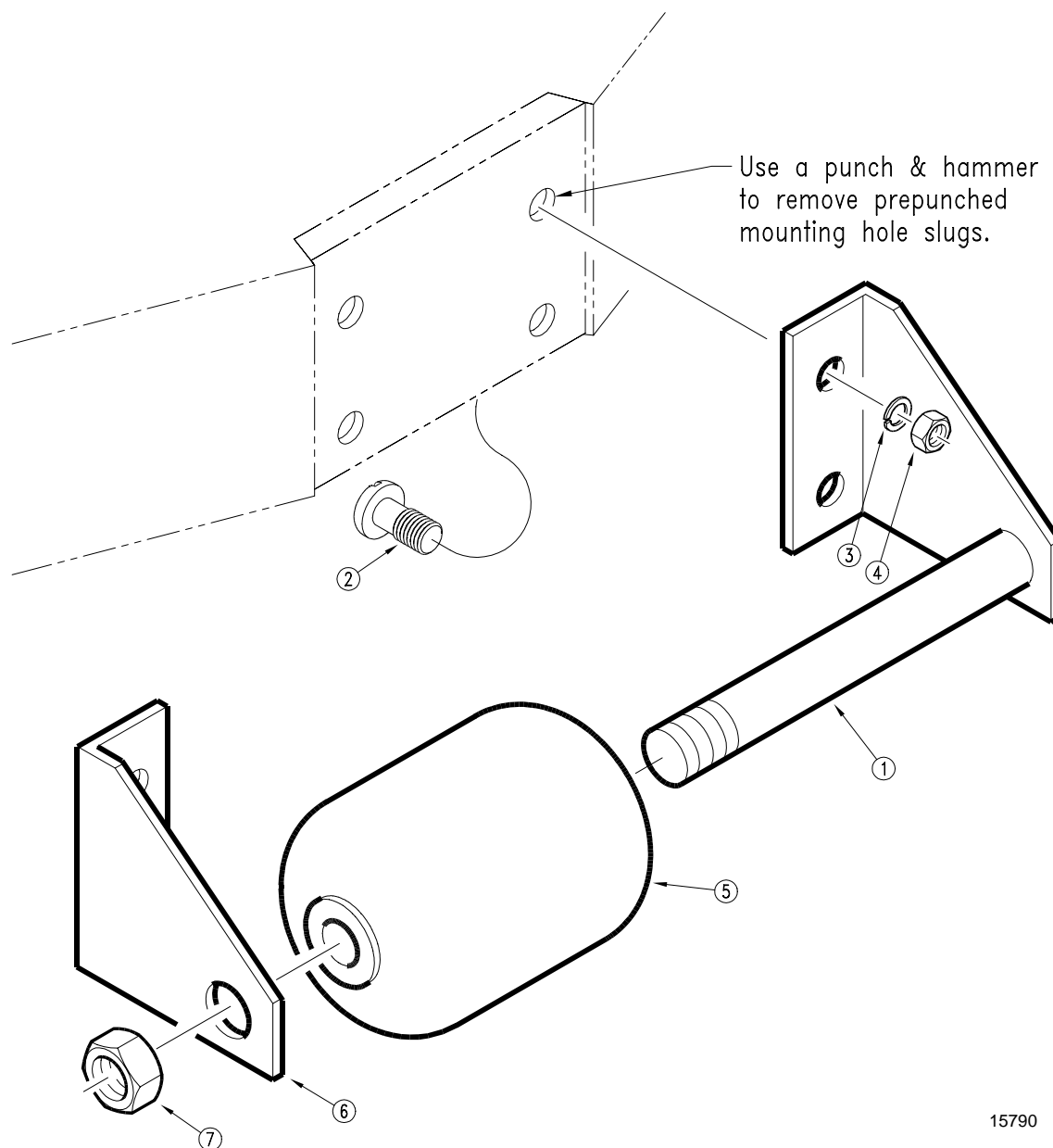
Assembly Instructions

FD15 Front Roller (310-133S)

Refer to Figure 2:

Assemble the front roller bracket (#1) with the 3/8" screw (#2), 3/8" lock washers (#3) and 3/8" nuts (#4) to the mower deck

as shown. Place the front roller (#5) on the roller bracket (#1). Assemble the roller mount (#6) to the deck using the 3/8" hardware. Secure the roller mount (#6) to the roller bracket (#1) with the 3/4" lock nut (#7).



15790

FD15 Front Roller
Figure 2

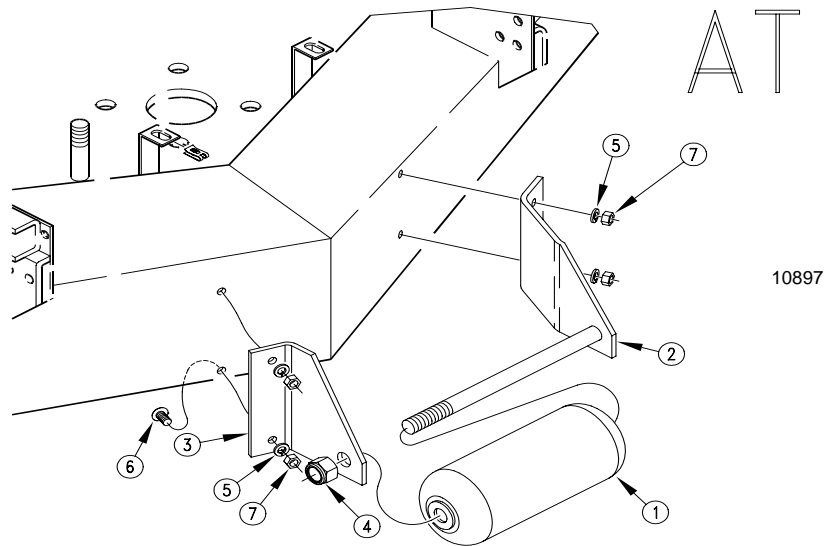
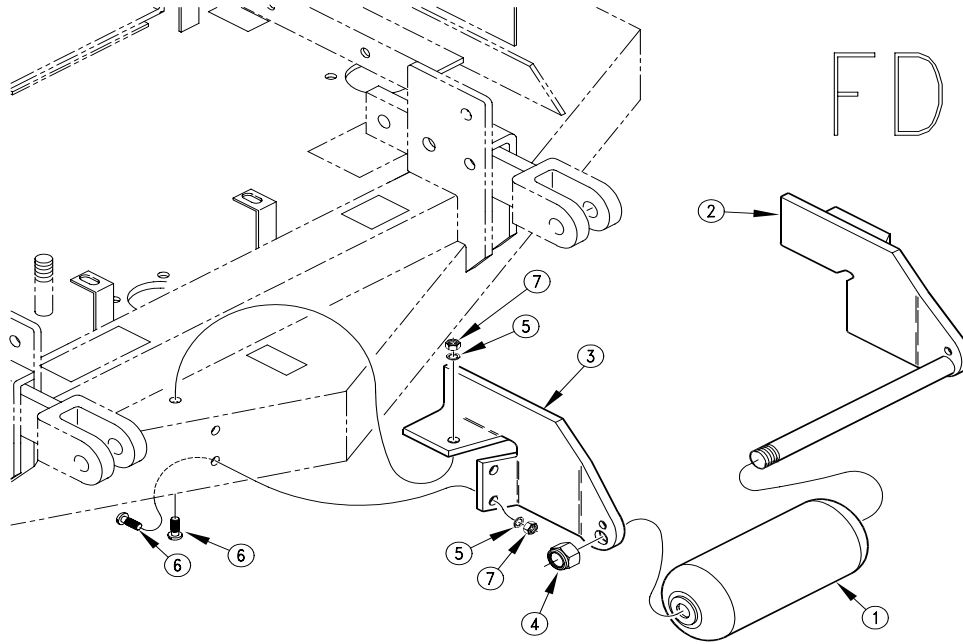
Assembly Instructions

FD25, AT25 & AT35 Front Roller (310-041S) (310-050S) (310-111A)

Refer to Figure 3:

Assemble roller (#1) to brackets (#2,#3) with the 3/4" lock nut (#4). The roller must rotate freely after assembly. Place assembly on the deck and mark hole locations. Drill 13/32 diameter holes for mounting the front roller assembly to deck. The roller should be approximately 1/4 to 1/2" below the deck.

Assemble the front roller bracket (#2) with the 3/8" screw (#6) 3/8" lock washers (#5) and 3/8" nuts (#7) to the mower deck as shown. Assemble the other front roller bracket (#3) to the deck using the 3/8" hardware.



10897

FD25, AT25 & AT35 Front Roller
Figure 3

Listing of Parts**310-210S FRONT ROLLER BUNDLE***Your Kit Includes:*

Qty.	Part No.	Part Description
1	315-133H	FRONT ROLLER BRKT L.H.
1	315-409D	FRONT ROLLER MOUNT-R.H.
4	802-014C	HHCS 3/8-16X3/4 GR5
4	803-014C	NUT HEX 3/8-16 PLT
1	803-114C	NUT LOCK 3/4-16 NYLOC COLLAR
4	804-013C	WASHER LOCK SPRING 3/8 PLT
1	817-082C	4 X 5 1/2 FRONT ROLLER

310-133S FRONT ROLLER BUNDLE*Your Kit Includes:*

Qty.	Part No.	Part Description
1	310-127H	LH ROLLER MTG BRKT 1560
1	310-297D	ROLLER MTG-RH
4	801-043C	SCREW SLOTTED RD HD 3/8-16 X 1
4	803-014C	NUT HEX 3/8-16 PLT
1	803-114C	NUT LOCK 3/4-16 NYLOC COLLAR
4	804-013C	WASHER LOCK SPRING 3/8 PLT
1	817-082C	4 X 5 1/2 FRONT ROLLER

310-041S FRONT ROLLER BUNDLE*Your Kit Includes:*

Qty.	Part No.	Part Description
1	310-056H	L.H. ROLLER BRKT. W/SHAFT-F.D.
1	310-114D	ROLLER BRACKET RH
6	801-043C	SCREW SLOTTED RD HD 3/8-16 X 1
6	803-014C	NUT HEX 3/8-16 PLT
1	803-114C	NUT LOCK 3/4-16 NYLOC COLLAR
6	804-013C	WASHER LOCK SPRING 3/8 PLT
1	817-049C	4 X 10 ROLLER WHEEL

310-050S FRONT ROLLER-72 AIR TUNNEL*Your Kit Includes:*

Qty.	Part No.	Part Description
1	310-055H	W.T. ROLLER BRKT. W/SHAFT
1	310-128D	RH ROLLER BRACKET 72 WT
6	801-043C	SCREW SLOTTED RD HD 3/8-16 X 1
6	803-014C	NUT HEX 3/8-16 PLT
1	803-114C	NUT LOCK 3/4-16 NYLOC COLLAR
6	804-013C	WASHER LOCK SPRING 3/8 PLT
1	817-049C	4 X 10 ROLLER WHEEL

310-111A FRONT ROLLER BUNDLE-90*Your Kit Includes:*

Qty.	Part No.	Part Description
1	310-103H	L.H. FRONT ROLLER BRKT-90
1	310-263D	R.H. ROLLER BRKT.
6	801-043C	SCREW SLOTTED RD HD 3/8-16 X 1
6	803-014C	NUT HEX 3/8-16 PLT
1	803-114C	NUT LOCK 3/4-16 NYLOC COLLAR
6	804-013C	WASHER LOCK SPRING 3/8 PLT
1	817-049C	4 X 10 ROLLER WHEEL



Corporate Office: P.O. Box 5060
Salina, Kansas 67402-5060 USA