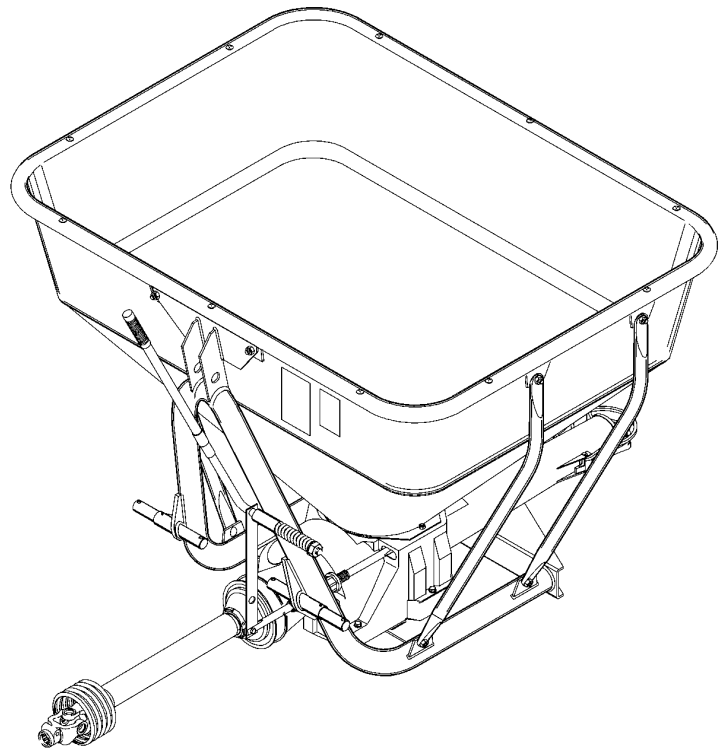
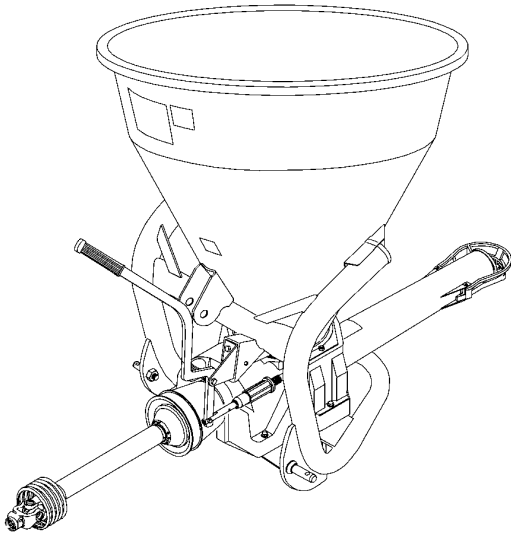


# Fertilizer Spreader

---

**PFS4000, PFS5060 & PFS8010**



30752

**309-124P**  
**Parts Manual**



Read the Operator's Manual entirely. When you see this symbol, the subsequent instructions and warnings are serious - follow without exception. Your life and the lives of others depend on it!

© Copyright 2018 Printed 07/10/18

Cover photo may show optional equipment not supplied with standard unit.





# Table of Contents

---

**Section 1: Introduction.....4**  
 Using This Manual.....4  
 Manual Replacement Information.....4  
 Manual Revisions.....4  
 Touch-up Paint.....4  
 Hardware Legend.....5  
 Replacement Hardware.....5  
 Serial Numbers.....5  
 Part Number Service Coding.....5

## PFS SERIES

**Section 2: Complete Assembly.....6**  
 Hopper & Frame PFS4000.....6  
 Hopper & Frame PFS5060.....8  
 Hopper & Frame PFS8010.....10  
 Material Control Lever PFS5060.....12  
 Material Control Lever PFS8010.....14  
 Pendulum Spreader Spout.....16  
**Section 3: Drive Unit & Driveline.....18**  
 Drive Unit Pg 1 of 3.....18  
 Drive Unit Pg 2 of 3.....20  
 Drive Unit Pg 3 of 3.....22  
 Driveline (311.009).....24  
**Section 4: Options & Accessories.....26**  
 Agitator Kit PFS5060 & 8010.....26  
 Hydraulic Opener Kit PFS5060.....28  
 Hydraulic Opener Kit PFS8010.....30  
 Pendulum Spout Accessories.....32  
 Small Seed Limiter Kit (309-136A).....34  
 Top Extension 240 Lbs.....36  
 Top Extension 480 and 960 Lbs.....38

**Part Number Index.....40**

© Copyright 2018. All rights reserved.

Land Pride provides this publication “as is” without warranty of any kind, either expressed or implied. While every precaution has been taken in the preparation of this manual, Land Pride assumes no responsibility for errors or omissions. Neither is any liability assumed for damages resulting from the use of the information contained herein. Land Pride reserves the right to revise and improve its products as it sees fit. This publication describes the state of this product at the time of its publication, and may not reflect the product in the future. The illustrations in this manual are not intended for safe and proper assembly or disassembly of equipment. The illustrations are intended for ordering parts only.

Land Pride is registered trademark.

All other brands and product names are trademarks or registered trademarks of their respective holders.

*Printed in the United States of America.*



# Alphabetized Table of Contents

---

## PFS SERIES

### A

Agitator Kit PFS5060 & 8010.....26

### D

Drive Unit Pg 1 of 3.....18  
Drive Unit Pg 2 of 3.....20  
Drive Unit Pg 3 of 3.....22  
Driveline (311.009).....24

### H

Hopper & Frame PFS4000.....6  
Hopper & Frame PFS5060.....8  
Hopper & Frame PFS8010.....10  
Hydraulic Opener Kit PFS5060.....28  
Hydraulic Opener Kit PFS8010.....30

### M

Material Control Lever PFS5060.....12  
Material Control Lever PFS8010.....14

### P

Pendulum Spout Accessories.....32  
Pendulum Spreader Spout.....16

### S

Small Seed Limiter Kit (309-136A).....34

### T

Top Extension 240 Lbs.....36  
Top Extension 480 and 960 Lbs.....38

# General Information

## Using This Manual

This manual is divided into sections. The first section contains General Information. The remaining sections divide the machine into segments (i.e. Frames, Drives, Hydraulics, etc.) which illustrate and list all parts. A Parts Number Index is located at the back of the book.

The Land Pride parts in this manual are specially designed for this machine and should be replaced with Land Pride parts only.

The information in this manual is current at time of printing. Some parts may change to assure top performance.

Right-hand and left-hand as used in this manual are determined by facing the direction the machine will travel while in use.

Below is an example of two facing pages from a parts manual. Familiarize yourself with the type of information contained on these pages.

## Manual Replacement Information

Replacement manuals are available. Refer to our website at [www.landpride.com](http://www.landpride.com) or e-mail us at [lit@landpride.com](mailto:lit@landpride.com) for additional information. Our website continues to provide the most up-to-date manuals available.

## Touch-up Paint

Repaint parts where paint is worn or scratched to prevent rust. Aerosol cans and touch-up bottles with brush applicator are available through your local dealer. Also available are quart and gallon size paints. Add QT or GL to end of the Aerosol P/N.

Land Pride color descriptions and part numbers are listed on the "Land Pride Touch-up Paints" page in the "Decals" section of this book. Color options vary by product.



## General Information

### Hardware Legend

<b>AR</b>	As Required
<b>BLADE</b>	Blade Bolt
<b>C</b>	Cap Screw
<b>CP</b>	Cotter Pin
<b>CPHSSS</b>	Cup Point Hex Socket Set Screw
<b>CPSHSS</b>	Cup Point Square Head Set Screw
<b>CPSQHSS</b>	Cup Point Square Head Set Screw
<b>CRFCHMS3</b>	Cross Recess Flat Countersunk Head Machine Screw
<b>CRPHMS</b>	Cross Recess Pan Head Machine Screw
<b>CRPHTF</b>	Cross Recess Pan Head Thread Forming
<b>CRRHMS</b>	Cross Recess Round Head Machine Screw
<b>CRTHMS</b>	Cross Recess Truss Head Machine Screw
<b>CSNB</b>	Countersunk Square Neck Bolt
<b>FHMS</b>	Flat Head Machine Screw
<b>FTC</b>	Full Thread Cap Screw
<b>H</b>	Hex Nut
<b>HCLN</b>	Hex Center Lock Nut
<b>HFLCS</b>	Hex Flange Lock Cap Screw
<b>HFS</b>	Hex Flange Screw
<b>HFSLN</b>	Hex Flange Serrated Lock Nut
<b>HFSS</b>	Hex Flange Serrated Screw
<b>HHCS</b>	Hex Head Cap Screw or Metric Bolt
<b>HSBHCS</b>	Hex Socket Button Head Cap Screw
<b>HSFCHCS</b>	Hex Socket Flat Countersunk Head Cap Screw
<b>HSHCS</b>	Hex Socket Head Cap Screw
<b>HSSS</b>	Hex Socket Head Screw
<b>HTLN</b>	Hex Top Lock Nut
<b>HWHCS</b>	Hex Washer Head Cap Screw

<b>HWHMS</b>	Hex Washer Head Machine Screw
<b>HXBHCS</b>	Hex Socket Button Head Cap Screw
<b>J</b>	Hex Jam Nut
<b>JIC</b>	37 Degree Tapered Thread
<b>L</b>	Helical Spring Lock Washer
<b>LUG</b>	Lug Bolt
<b>NFC</b>	National Fine Cap Screw
<b>NPSM</b>	National Pipe Straight Mechanical
<b>NPTF</b>	National Pipe Taper Fuel
<b>P</b>	Wide Plain Washer
<b>PHMS</b>	Pan Head Machine Screw
<b>PLOW</b>	Plow Bolt
<b>RHMS</b>	Round Head Machine Screw
<b>RHSNB</b>	Round Head Square Neck Bolt
<b>SCREW LEVELING</b>	Leveling Screw
<b>SCREW THUMB</b>	Thumb Screw
<b>SCREW WELD</b>	Weld Screw
<b>SFCHMS</b>	Slotted Flat Countersunk Head Machine Screw
<b>SFHMS</b>	Slotted Fillister Head Machine Screw
<b>SP</b>	Special
<b>SP SCREW</b>	Special Screw
<b>SOHSS</b>	Square Head Set Screw
<b>SRHMS</b>	Slotted Round Head Machine Screw
<b>SSS</b>	Socket Set Screw
<b>STCS</b>	Self Tapping Cap Screw
<b>STHMS</b>	Slotted Truss Head Machine Screw
<b>WHEEL</b>	Wheel Studs and Hub Long Bolts
<b>WING</b>	Wing Bolt

### Replacement Hardware

The **Hardware Legend** above lists hardware abbreviations used in the parts list. All bolts and nuts are Grade 5 unless otherwise noted. The use of improper grades of hardware can result in personal injury, damage to equipment, or loss of property.

### Colored Replacement Parts

Land Pride offers replacement parts in factory standard colors and also on select models in Green, Orange, Red and Blue. Because of the variety of colors available, special attention must be given to the part number to prevent ordering the wrong replacement part.

A suffix number corresponding to one of the colors below must be added at the end of Land Pride's part number when ordering a replacement part with that color.

**81 . . . . . Green      83 . . . . . Red**  
**82 . . . . . Orange    84 . . . . . Blue**

For example, if you are ordering a replacement part with part number 555-555C and the part you need is red, then add the suffix 83 to the end of the number to make the part number read 555-555C83. Parts ordered without a suffix number will be supplied in factory standard colors.

### Black Replacement Parts

Some parts are factory standard black and some must be special ordered black. If your part is special ordered black, a second part number with the additional suffix number 85 on the end will be available. In this situation you must order that part with the suffix number for it to be black. Parts that are factory standard black will not have the suffix number.

### Part Number Service Coding

Within the parts list some part numbers are coded for revisions and interchangeability. See notations in revision column.

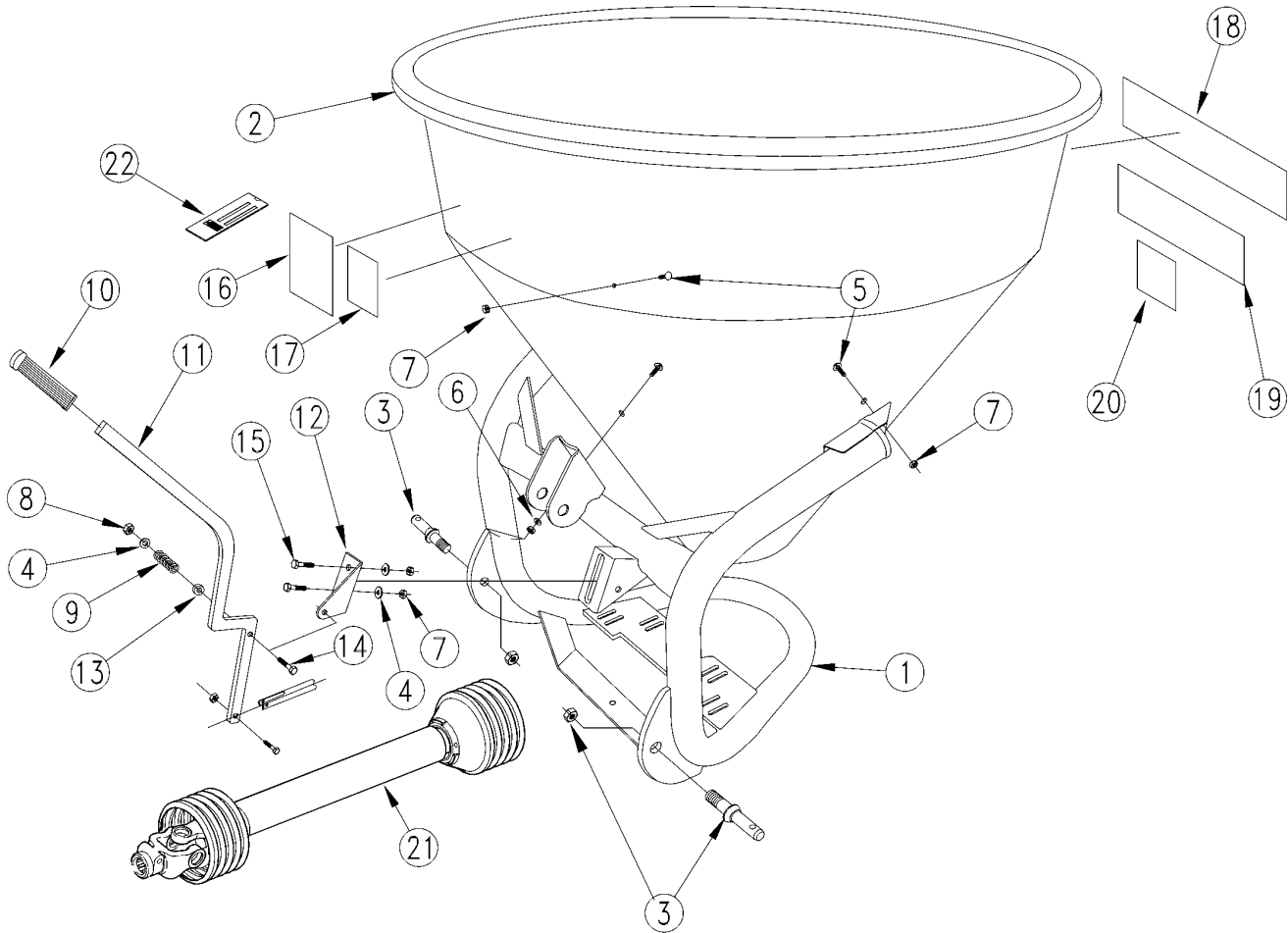
### Serial Numbers

Always use the serial and model number when ordering parts. Refer to the Operator's Manual for serial number plate location.

- |                      |  |
|----------------------|--|
| (S/N 20001+)         | Includes serial numbers 20001 and above (to the latest number)   |
| (S/N 10001 to 20000) | Includes serial numbers between and including 10001 and 20000    |
| (S/N 10000-)         | Includes serial numbers 10000 and below (to the earliest number) |

# Hopper & Frame PFS4000

Applies to PFS4000



30713

## Hopper & Frame PFS4000

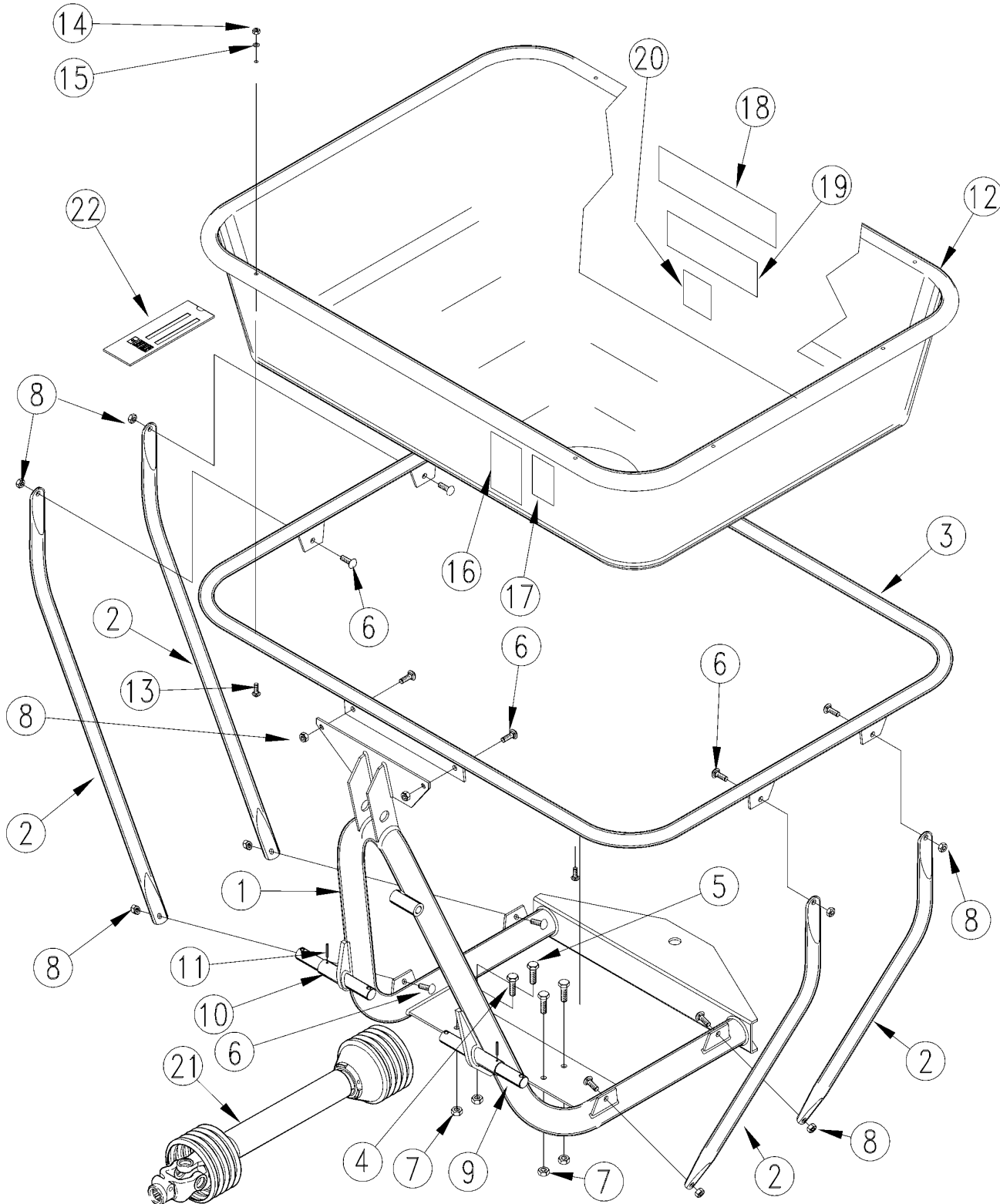
---

### Applies to PFS4000

Ref	Part No.	Part Description	Comments	Revision
	dwg30713	Drawing Image Number		
1.	613.014	COSMO FRAME PD400C MOD.		
2.	609.015	COSMO HOPPER PLASTC PD400C MOD		
3.	633.008	RPBY 633.001		
3.	633.001	COSMO PIN LOWER LINK		
4.	303.015	COSMO WASHER 10X20 UNI 6592		
5.	300.044	COSMO SCREW RND HD 10X30		
6.	303.025	COSMO WASHER 10X30 UNI 6593		
7.	301.010	COSMO NUT HEX M10 UNI 5588		
8.	301.013	COSMO NUT M10 SELF LOCKING		
9.	617.002	COSMO SPRING 40X30X10MM		
10.	304.028	COSMO RUBBER HANDLE 20X10MM		
11.	618.010	COSMO LEVER PD400C MOD.		
12.	606.087	COSMO SUPPORT BRCKT, OPEN LVR		
13.	325.022	COSMO NYLON BSH 10MM HL DIA.		
14.	300.015	COSMO SCRW HX HD 10X80 UNI5739		
15.	300.003	COSMO SCRW HX HD 10X25 UNI5739		
16.	848-740C	DECAL SPREADING CHART		
17.	818-541C	DECAL DANGER TOXIC CHEMICAL		
18.	818-895C	RPBY 848-450C		
18.	848-450C	DECAL LP W/TREE 19" BROWN/GOLD		
19.	848-719C	DECAL PFS4000 BROWN		
20.	818-539C	DECAL DANGER THROWN OBJ FERT		
21.	311.009	COSMO DRVLN PENDULUM SPREADERS		
22.	891-244C	SLIDE RULE PENDULUM SPREADER		

# Hopper & Frame PFS5060

Applies to PFS5060



30720



## Hopper & Frame PFS5060

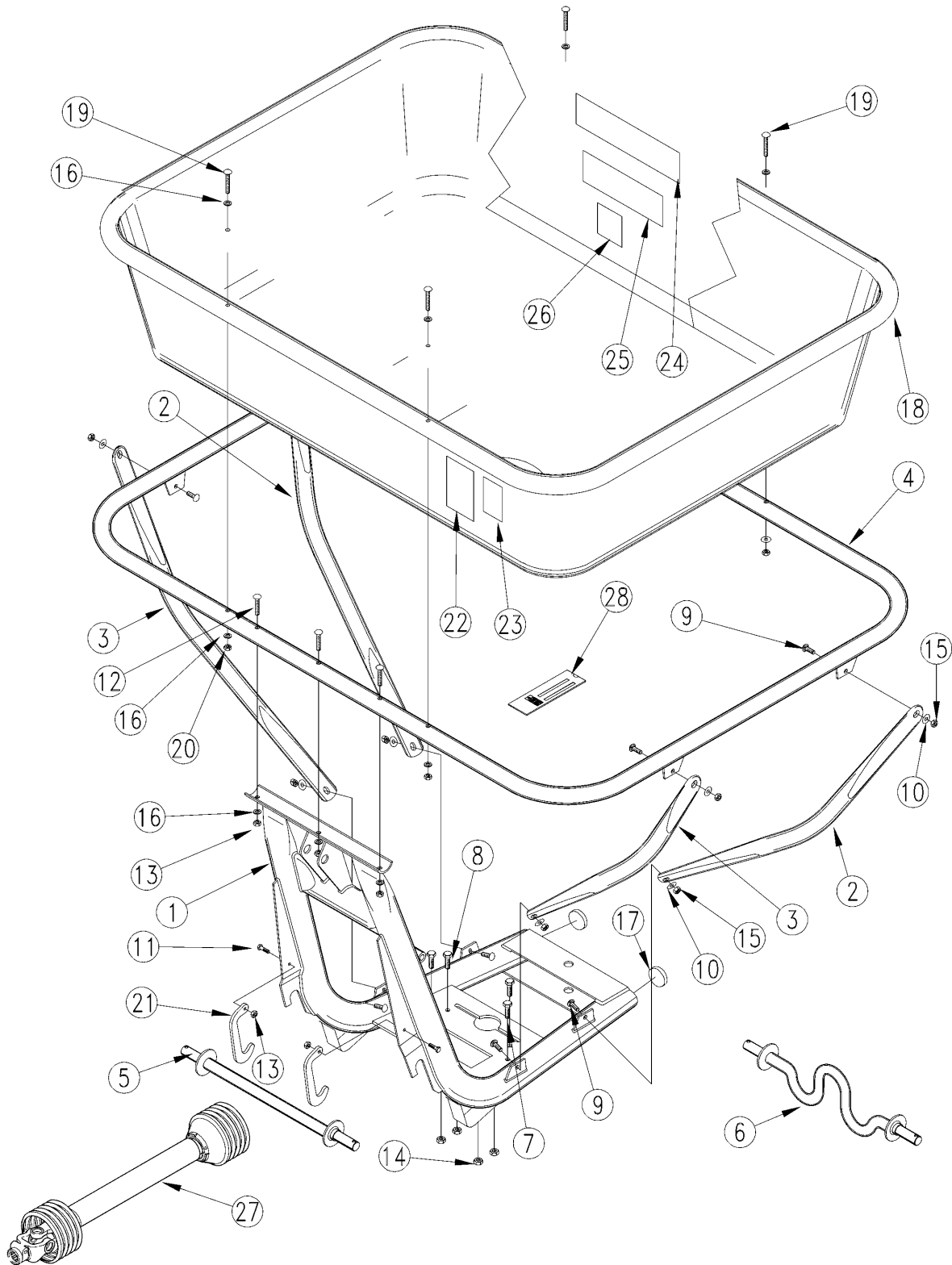
---

### Applies to PFS5060

Ref	Part No.	Part Description	Comments	Revision
	dwg30720	Drawing Image Number		
1.	613.110	COSMO LOWER FRAME PFS5060		
2.	602.007	COSMO UPPER FRAME SUPPORT ROD		
3.	635.013	COSMO RCT. HOPPER SUPPORT TUBE		
4.	300.045	COSMO SCREW HEX HD 12X50		
5.	300.074	COSMO SCREW HEX HD 12X40		
6.	300.044	COSMO SCREW RND HD 10X30		
7.	301.059	COSMO NUT M12		
8.	301.010	COSMO NUT HEX M10 UNI 5588		
9.	633.012	COSMO LINK PIN		
10.	325.014	COSMO LINK PIN BUSHING		
11.	305.001	COSMO SPRING PIN 8X40		
12.	609.050	COSMO HOPPER PFS5060		
13.	300.059	COSMO SCREW RND HD 10X60		
14.	301.010	COSMO NUT HEX M10 UNI 5588		
15.	303.015	COSMO WASHER 10X20 UNI 6592		
16.	848-740C	DECAL SPREADING CHART		
17.	818-541C	DECAL DANGER TOXIC CHEMICAL		
18.	818-895C	RPBY 848-450C		
18.	848-450C	DECAL LP W/TREE 19" BROWN/GOLD		
19.	848-717C	DECAL PFS5060 BROWN		
20.	818-539C	DECAL DANGER THROWN OBJ FERT		
21.	311.009	COSMO DRVLN PENDULUM SPREADERS		
22.	891-244C	SLIDE RULE PENDULUM SPREADER		

# Hopper & Frame PFS8010

Applies to PFS8010



30724

## Hopper & Frame PFS8010

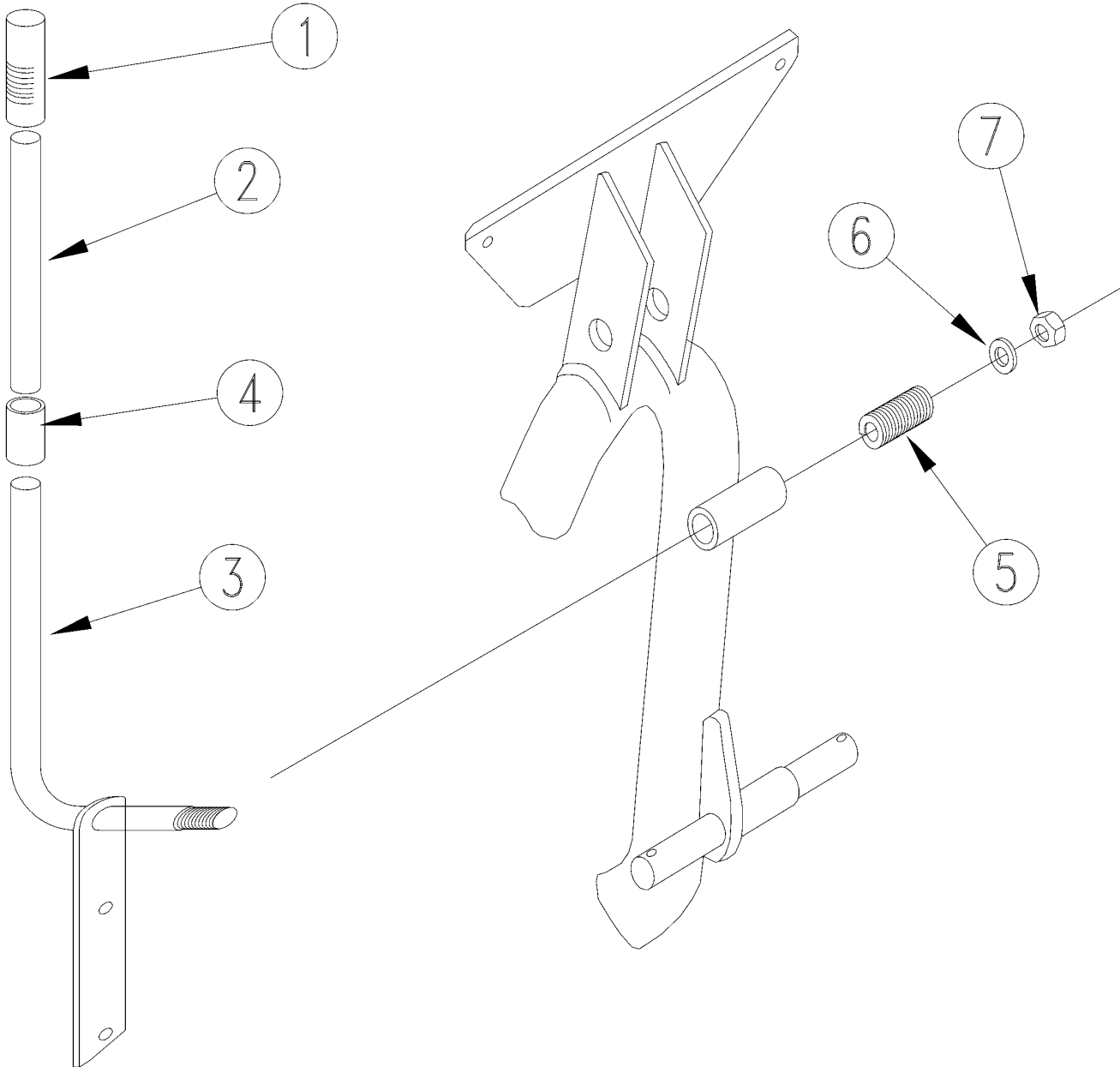
---

### Applies to PFS8010

Ref	Part No.	Part Description	Comments	Revision
	dwg30724	Drawing Image Number		
1.	613.111	COSMO LOWER FRAME PFS8010		
2.	602.008	COSMO LONG UPPER FRAME SUPPORT		
3.	602.009	COSMO SHORT UPPER FRAME SUPPORT		
4.	635.014	COSMO HOPPER SUPPORT TB PFS8010		
5.	637.001	COSMO RIGHT HOOK UP BAR		
6.	637.002	COSMO SHAPED HOOK UP BAR		
7.	300.045	COSMO SCREW HEX HD 12X50		
8.	300.074	COSMO SCREW HEX HD 12X40		
9.	300.044	COSMO SCREW RND HD 10X30		
10.	303.025	COSMO WASHER 10X30 UNI 6593		
11.	300.017	COSMO SCREW HEX HD 10X35		
12.	300.049	COSMO SCREW RND HD 10X70		
13.	301.013	COSMO NUT M10 SELF LOCKING		
14.	300.059	COSMO SCREW RND HD 10X60		
15.	301.010	COSMO NUT HEX M10 UNI 5588		
16.	303.015	COSMO WASHER 10X20 UNI 6592		
17.	612.003	COSMO PLASTIC CAP		
18.	609.051	COSMO HOPPER PFS8010		
19.	300.057	COSMO SCREW RND HD 10X80		
20.	301.010	COSMO NUT HEX M10 UNI 5588		
21.	634.001	COSMO CONNECTION HOOK		
22.	848-740C	DECAL SPREADING CHART		
23.	818-541C	DECAL DANGER TOXIC CHEMICAL		
24.	818-895C	RPBY 848-450C		
24.	848-450C	DECAL LP W/TREE 19" BROWN/GOLD		
25.	848-718C	DECAL PFS8010 BROWN		
26.	818-539C	DECAL DANGER THROWN OBJ FERT		
27.	311.009	COSMO DRVLN PENDULUM SPREADERS		
28.	891-244C	SLIDE RULE PENDULUM SPREADER		

**Material Control Lever PFS5060**

Applies to PFS5060



30721

## ***Material Control Lever PFS5060***

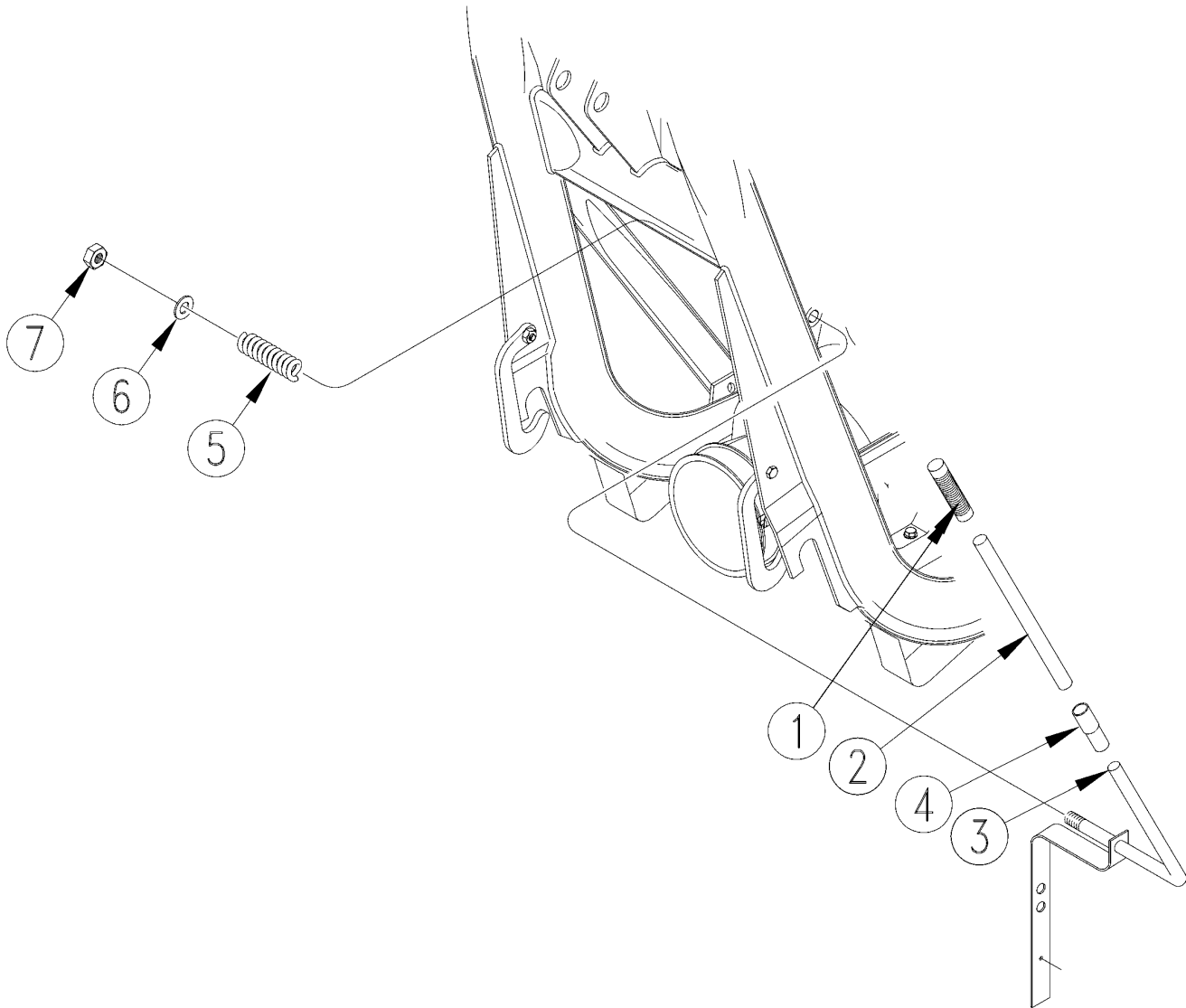
---

### **Applies to PFS5060**

<b>Ref</b>	<b>Part No.</b>	<b>Part Description</b>	<b>Comments</b>	<b>Revision</b>
	dwg30721	Drawing Image Number		
1.	304.009	COSMO RUBBER HANDLE		
2.	635.008	COSMO LEVER EXTENSION		
3.	602.018	COSMO TIE ROD LEVER W/BLD 5060		
4.	804.001	COSMO PVC SHEATH		
5.	617.003	COSMO SPRING (FOR LEVER)		
6.	303.021	COSMO WASHER 16X3X30		
7.	301.018	COSMO NUT M16 SELF LOCK		

# Material Control Lever PFS8010

Applies to PFS8010



30925

## **Material Control Lever PFS8010**

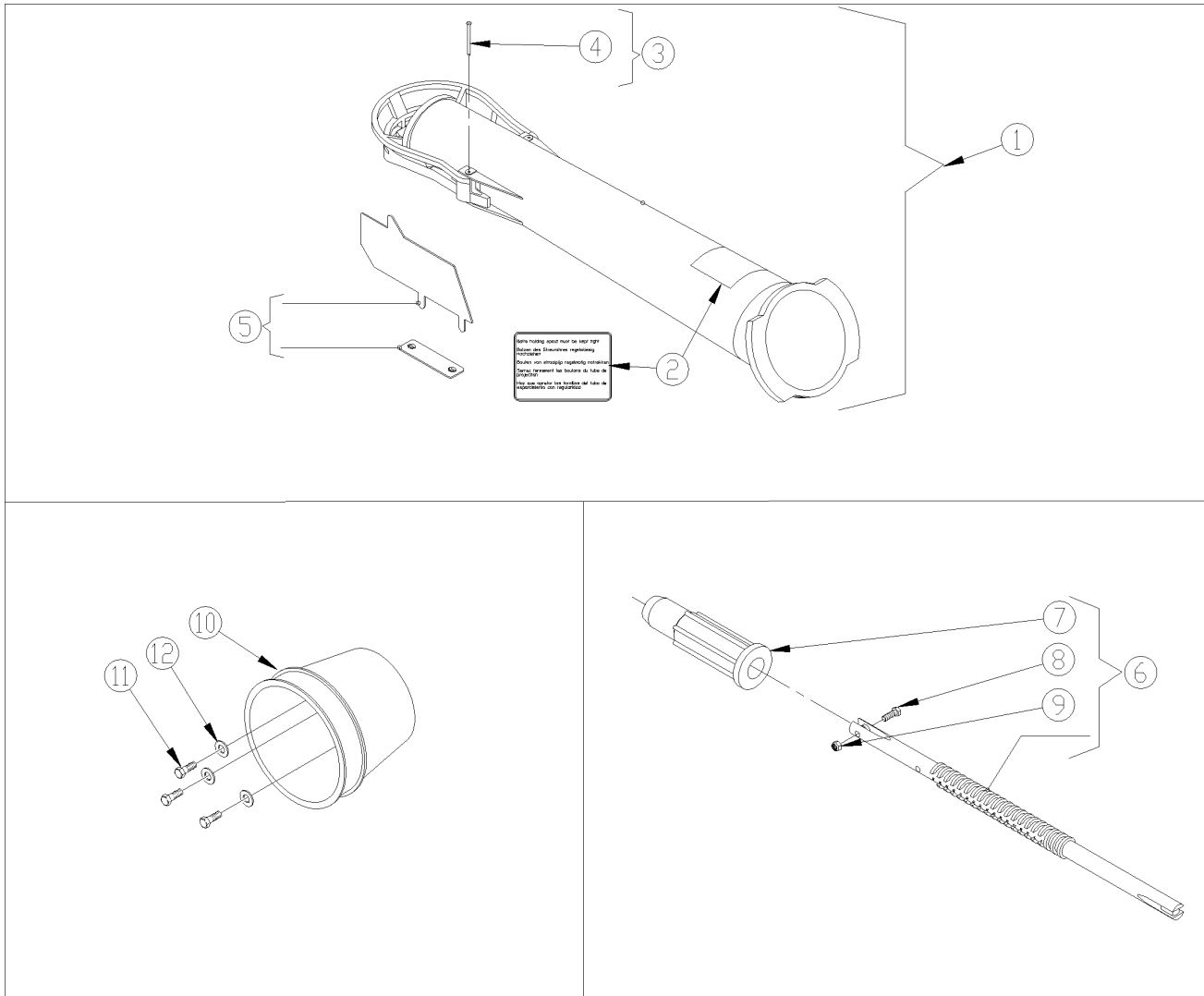
---

### **Applies to PFS8010**

<b>Ref</b>	<b>Part No.</b>	<b>Part Description</b>	<b>Comments</b>	<b>Revision</b>
	dwg30721	Drawing Image Number		
1.	304.009	COSMO RUBBER HANDLE		
2.	635.008	COSMO LEVER EXTENSION		
3.	602.019	COSMO TIE ROD LEVER W/BLD 8010		
4.	804.001	COSMO PVC SHEATH		
5.	617.003	COSMO SPRING (FOR LEVER)		
6.	303.021	COSMO WASHER 16X3X30		
7.	301.018	COSMO NUT M16 SELF LOCK		

# Pendulum Spreader Spout

Applies to PFS4000, PFS5060, PFS8010



30717



## ***Pendulum Spreader Spout***

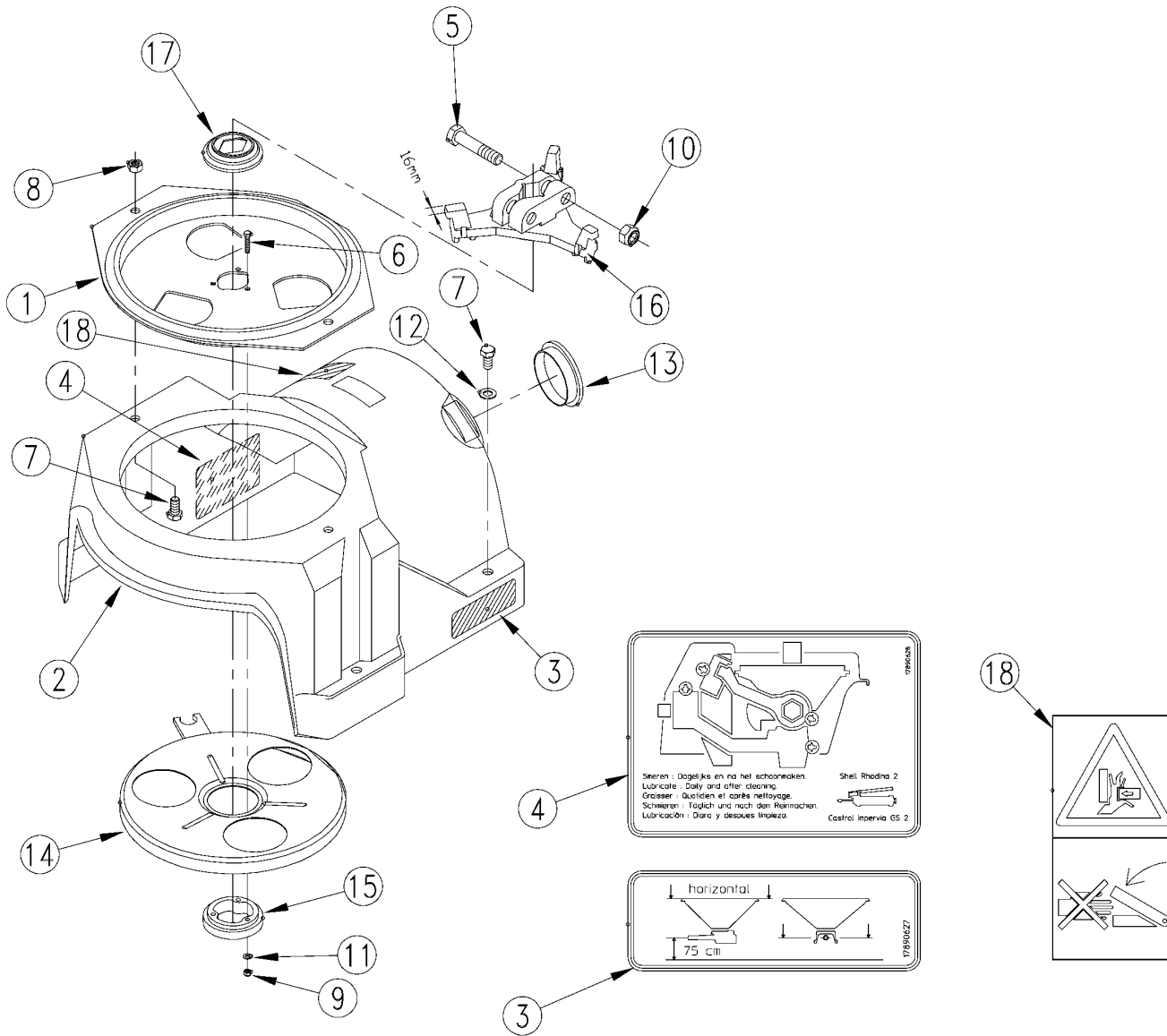
---

**Applies to PFS4000, PFS5060, PFS8010**

<b>Ref</b>	<b>Part No.</b>	<b>Part Description</b>	<b>Comments</b>	<b>Revision</b>
	Dwg 30717	Drawing Image Number		
1.	309-138A	STANDARD SPOUT		
2.	308.267	COSMO PENDULUM LABEL		
3.	304.046	COSMO BAND GREY 03 LONG		
4.	305.007	COSMO PIN 3X40		
5.	304.047	COSMO MIDDLE PLATE (LNG SPOUT)		
6.	618.016	COSMO ADJUSTING ROD		
7.	618.017	COSMO ADJUSTING ROD NUT		
8.	300.066	COSMO BOLT M6X25/RVS		
9.	301.051	COSMO NUT M6/RVS/NYLON		
10.	304.019	COSMO PROTECTION COVER PTO		
11.	801-199C	SCR SELF TAP #10 X 3/4		
12.	804-206C	WASHER FENDER 3/16 X 3/4		

**Drive Unit Pg 1 of 3**

Applies to PFS4000, PFS5060, PFS8010



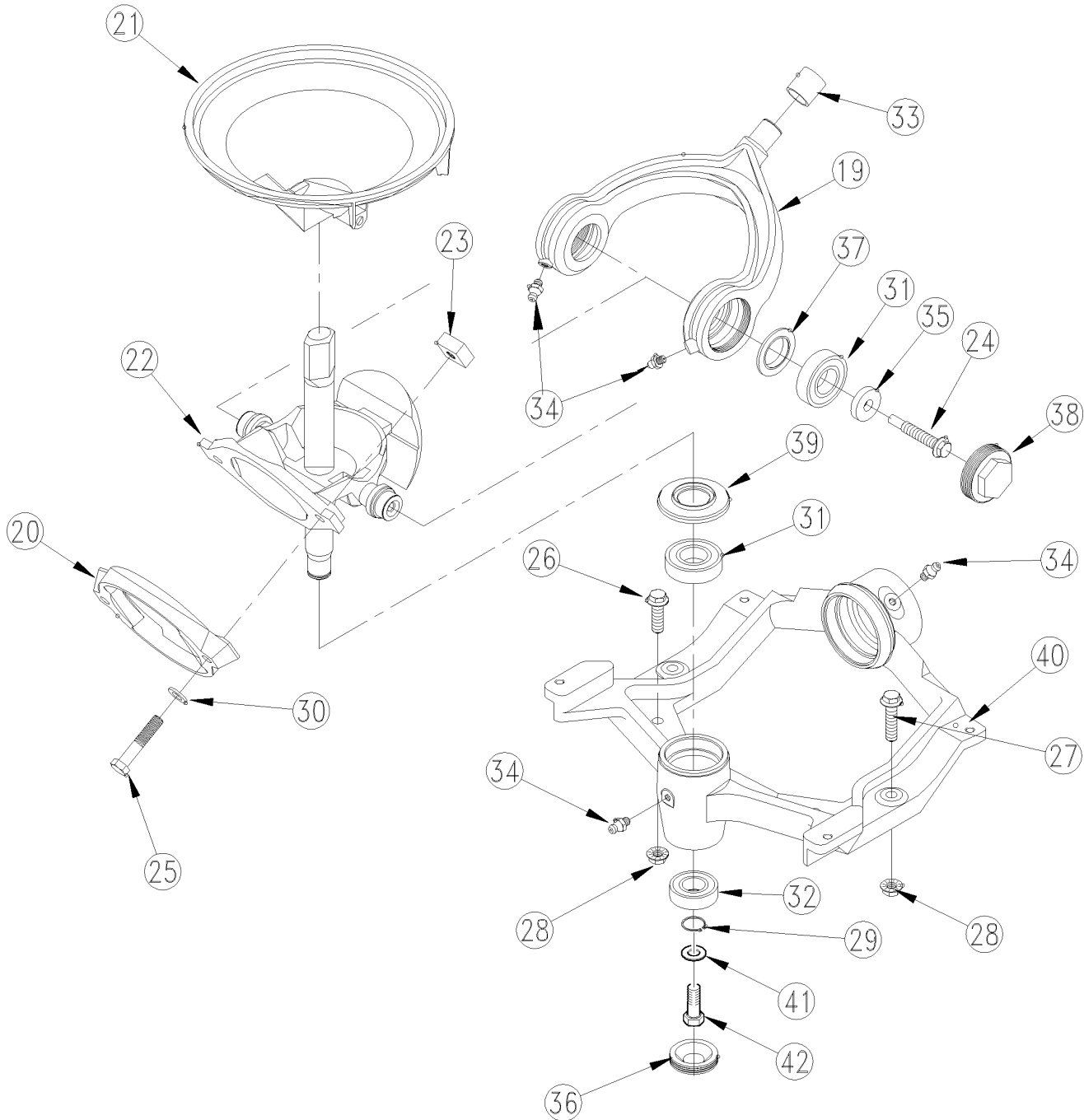
30714

**Drive Unit Pg 1 of 3****Applies to PFS4000, PFS5060, PFS8010**

<b>Ref</b>	<b>Part No.</b>	<b>Part Description</b>	<b>Comments</b>	<b>Revision</b>
	Dwg 30714 826-745C	Drawing Image Number DRIVE UNIT PFS COSMO *	Complete Drive Unit	
1.	610.018	COSMO DOSING PLATE FIXED		
2.	304.237	COSMO COVER UNIT	S/N 943427+	
2.	304.037	RPBY 304.237	S/N 943426-	
3.	308.002	COSMO DECAL HORIZONTAL		
4.	308.003	COSMO GREASE DECAL		
5.	300.033	COSMO SCRW HX HD 8.8-M14X65/DM		
6.	300.034	COSMO SCREW HEX HD M5X25/RVS		
7.	300.035	COSMO SCREW HEX HD M10X20/RVS		
8.	301.046	COSMO NUT M10/RVS		
9.	301.045	COSMO NUT M5/RVS/NYLON		
10.	301.044	COSMO NUT M14/RVS/NYLON		
11.	303.004	COSMO WASHER 5,3/RVS		
12.	303.003	COSMO WASHER 10,5/RVS		
13.	304.040	COSMO CAP, ADJUSTMENT HOLE		
14.	610.017	COSMO DOSING PLATE ADJUST		
15.	304.039	COSMO RING DOSING PLATE		
16.	619.022	COSMO AGITATOR		
17.	304.038	COSMO CAP AGITATOR AXLE		
18.	308.004	COSMO SAFETY DECAL		

**Drive Unit Pg 2 of 3**

Applies to PFS4000, PFS5060, PFS8010



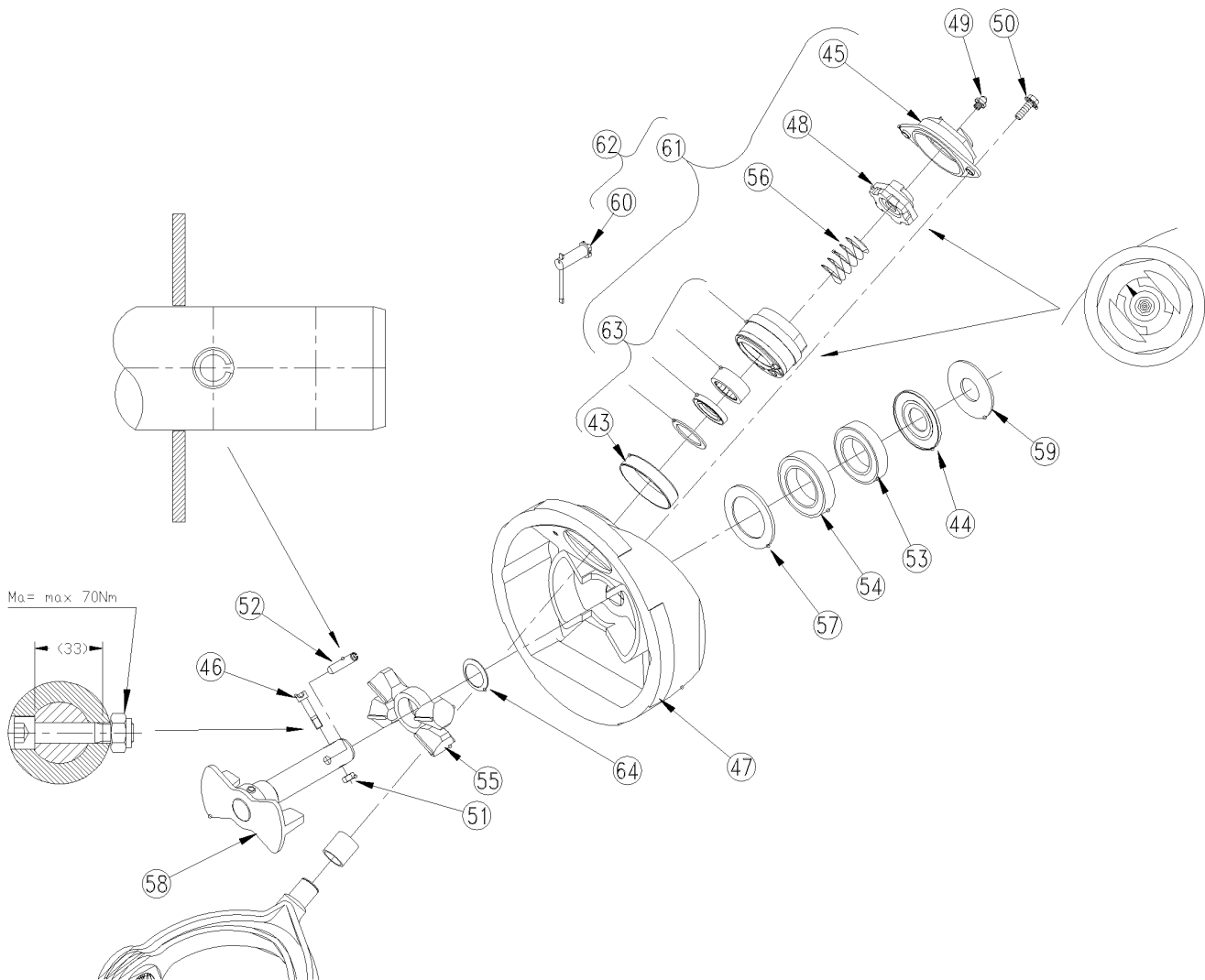
30715

**Drive Unit Pg 2 of 3****Applies to PFS4000, PFS5060, PFS8010**

<b>Ref</b>	<b>Part No.</b>	<b>Part Description</b>	<b>Comments</b>	<b>Revision</b>
	Dwg 30715 826-745C	Drawing Image Number DRIVE UNIT PFS COSMO *	Complete Drive Unit	
19.	332.005	COSMO YOKE ASSEMBLY		
20.	304.110	COSMO FLANGE SPOUT		
21.	600.003	COSMO SPREADING BASIN		
22.	600.005	COSMO CENTER AXLE W/BLT & WSHR	S/N 943427+ (Includes #41 & #42)	
22.	600.004	RPBY 600.005	S/N 943426-	
23.	301.047	COSMO SPECIAL NUT SPOUT		
24.	300.061	COSMO SPECIAL BOLT YOKE BRG		
25.	300.060	COSMO BOLT 10,9-M12X65/DM		
26.	300.063	COSMO BOLT K100-M12X40/DM		
27.	300.062	COSMO BOLT K100-M12X50/DM		
28.	301.048	COSMO NUT K10/M12/DM		
29.	313.007	COSMO CIRCLIP A25X1,2	S/N 943426-	
30.	303.002	COSMO WASHER LOCK 13/RVS		
31.	310.011	COSMO BRG 6206-Z		
32.	310.013	COSMO BRG 6205-21C		
33.	310.012	COSMO BRG YOKE		
34.	306.009	COSMO GREASE NIPPLE M8X1,25		
35.	303.001	COSMO WASHER BRG YOKE		
36.	304.041	COSMO CAP BOTTOM BRG		
37.	299.006	COSMO SEAL		
38.	299.005	COSMO BRG CAP		
39.	299.007	COSMO SEAL		
40.	321.002	COSMO MAINFRAME		
41.	303.070	COSMO WASHER	S/N 943427+	
42.	300.130	COSMO BOLT	S/N 943427+	

## Drive Unit Pg 3 of 3

Applies to PFS4000, PFS5060, PFS8010



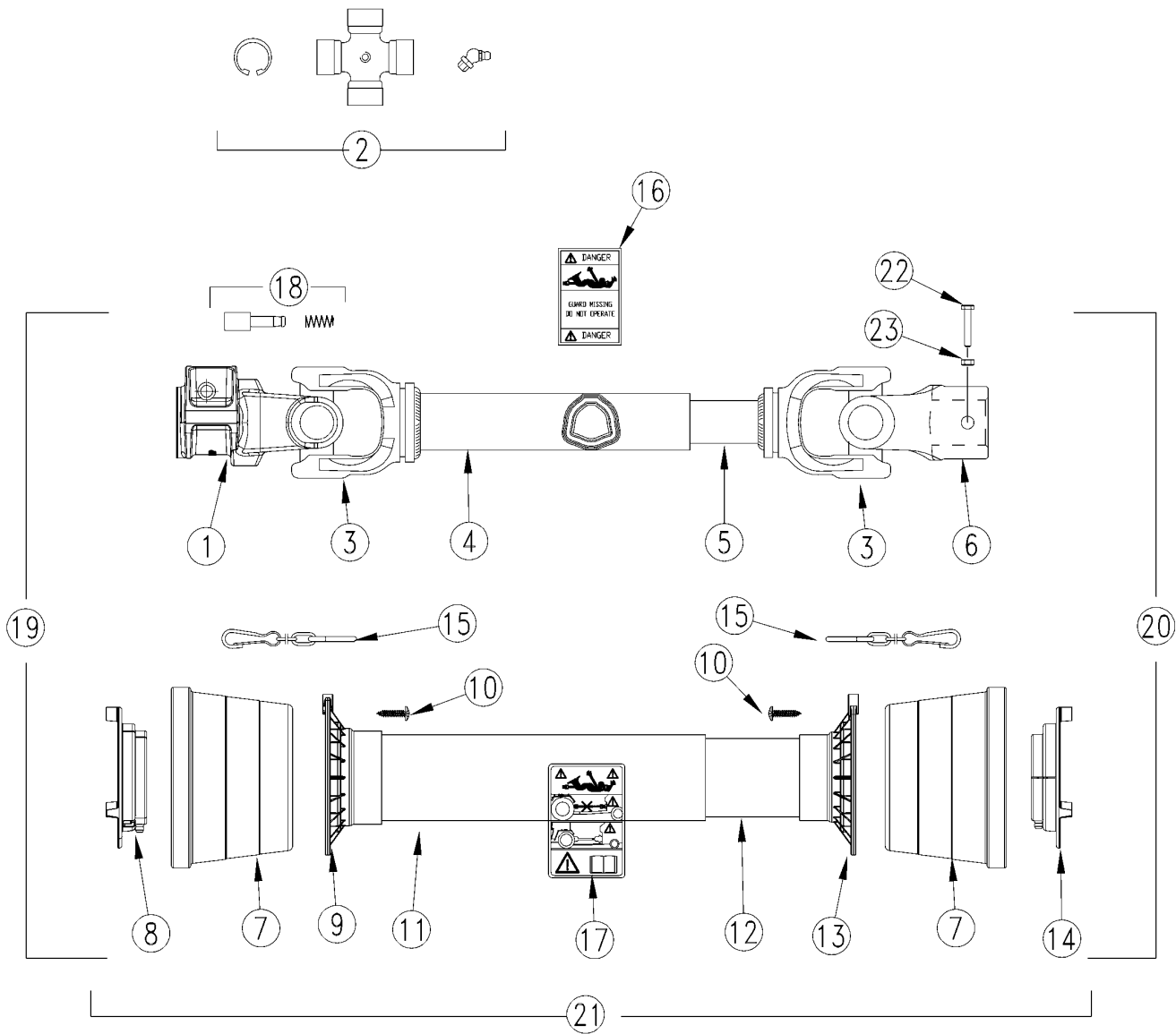
30716

**Drive Unit Pg 3 of 3****Applies to PFS4000, PFS5060, PFS8010**

Ref	Part No.	Part Description	Comments	Revision
	dwg30716 826-745C	Drawing Image Number DRIVE UNIT PFS COSMO *	Complete Drive Unit	
43.	N/A	RPBY 309-142A	S/N 943426-	
44.	304.042	COSMO BRG CAP		
45.	N/A	RPBY 309-142A	S/N 943426-	
46.	300.020	COSMO SCREW TE 10X70 UNI5737	S/N 943427+	
46.	300.064	COSMO BOLT PTO 10,9-M10X48	S/N 943426-	
47.	599.002	COSMO FLY WHEEL		
48.	N/A	RPBY 309-142A	S/N 943426-	
49.	306.009	COSMO GREASE NIPPLE M8X1,25		
50.	300.065	COSMO BOLT K100-M8X1,25		
51.	301.049	COSMO NUT M10/RVS/DM		
52.	305.009	COSMO ROLL PIN 10X55 DM		
53.	310.015	COSMO BRG 6009-2Z-C3		
54.	310.014	COSMO BRG 6010-ZRS-C3		
55.	327.002	COSMO RUBBER BUFFER		
56.	N/A	RPBY 309-142A	S/N 943426-	
57.	303.036	COSMO WASHER		
58.	323.014	COSMO AXLE FOR PTO		
59.	303.037	COSMO WASHER		
60.	618.519	COSMO ANGLE ADJUSTMENT TOOL	S/N 943427+	
60.	618.019	RPBY 309-142A	S/N 943426-	
61.	618.720	COSMO HOUSING KIT	S/N _____+	
61.	618.520	RPBY 618.720	S/N 943427 to S/N _____	
62.	309-142A	HOUSING UNIT WITH ADJ. TOOL	S/N 943427+	
63.	N/A	RPBY 309-142A	S/N 943426-	
64.	303.032	COSMO RING		

### Driveline (311.009)

Applies to PFS4000, PFS5060, PFS8010



30751

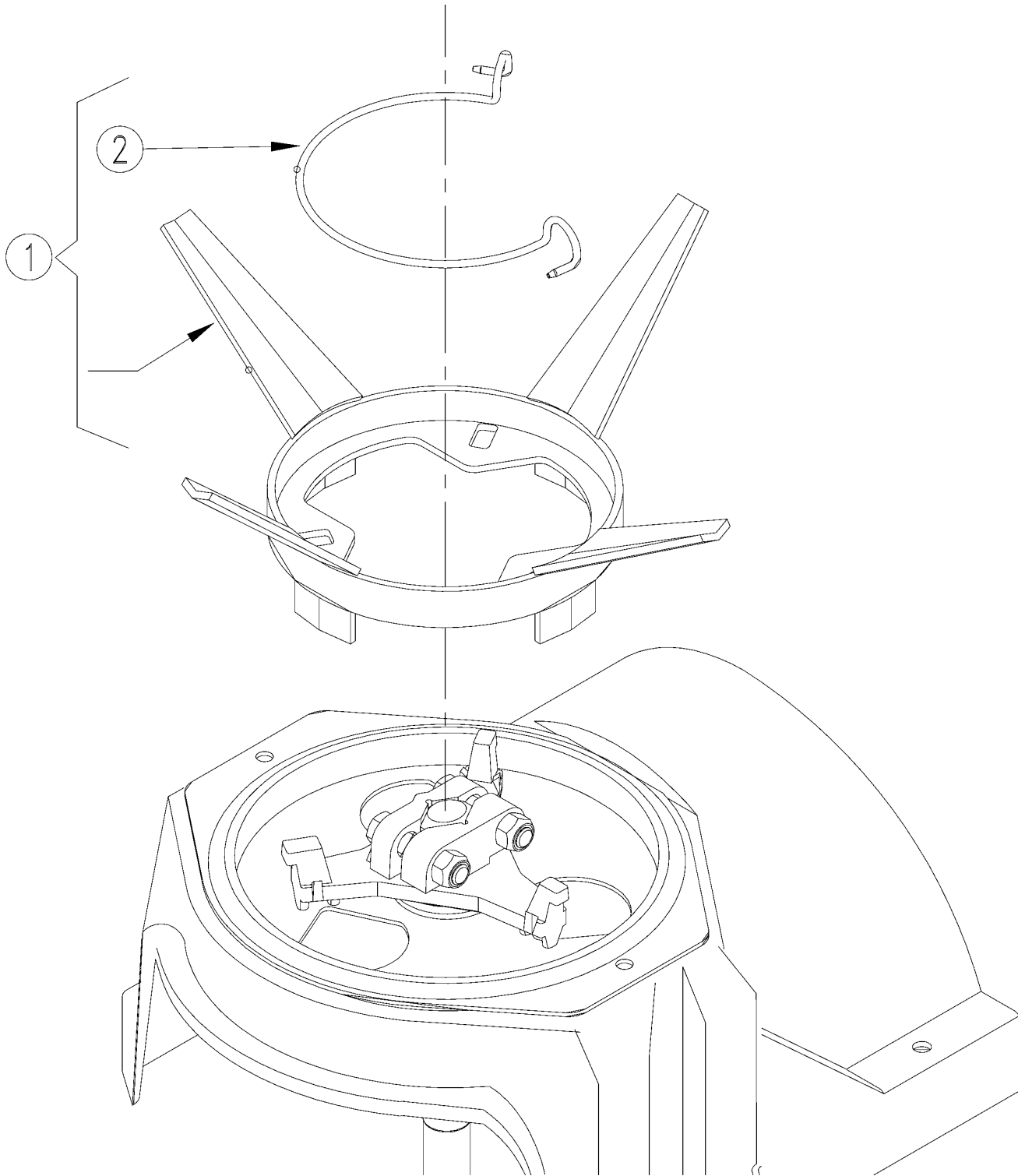


**Driveline (311.009)****Applies to PFS4000, PFS5060, PFS8010**

Ref	Part No.	Part Description	Comments	Revision
	dwg30751	Drawing Image Number		
	311.009	COSMO DRVLN PENDULUM SPREADERS *		
1.	311.400	COSMO YOKE 1 3/8 Z6		
2.	311.401	COSMO CROSS JOURNAL ASY		
3.	311.402	COSMO YOKE FOR TUBE		
4.	311.403	COSMO CNM 100 CARDAN TB OUTER		
5.	311.404	COSMO CNM 100 CARDAN TB INNER		
6.	311.405	COSMO YOKE		
7.	311.406	COSMO CONE SHIELD BELL 01-02		
8.	311.407	COSMO OUTER BEARING 02		
9.	311.408	COSMO OUTER BASE CONE 01-02		
10.	311.409	COSMO SCREW		
11.	311.410	COSMO OUTER SAFETY TUBE		
12.	311.411	COSMO INNER SAFETY TUBE		
13.	311.412	COSMO INNER BASE CONE 01-02		
14.	311.413	COSMO INNER BEARING 02		
15.	311.414	COSMO CHAIN	S/N 946472-	
16.	311.415	COSMO LABEL DANGER OUTER TB		
17.	311.416	COSMO EXTERNAL SHIELD LABEL		
18.	311.418	COSMO COMPLETE PUSH BUTTON		
19.	311.419	COSMO OUTER HALF SHAFT		
20.	311.420	COSMO INNER HALF SHAFT		
21.	311.421	COSMO SAFETY GUARD		
22.	300.064	COSMO BOLT PTO 10,9-M10X48		
23.	301.049	COSMO NUT M10/RVS/DM		

# Agitator Kit PFS5060 & 8010

Applies to PFS5060, PFS8010



30722

## ***Agitator Kit PFS5060 & 8010***

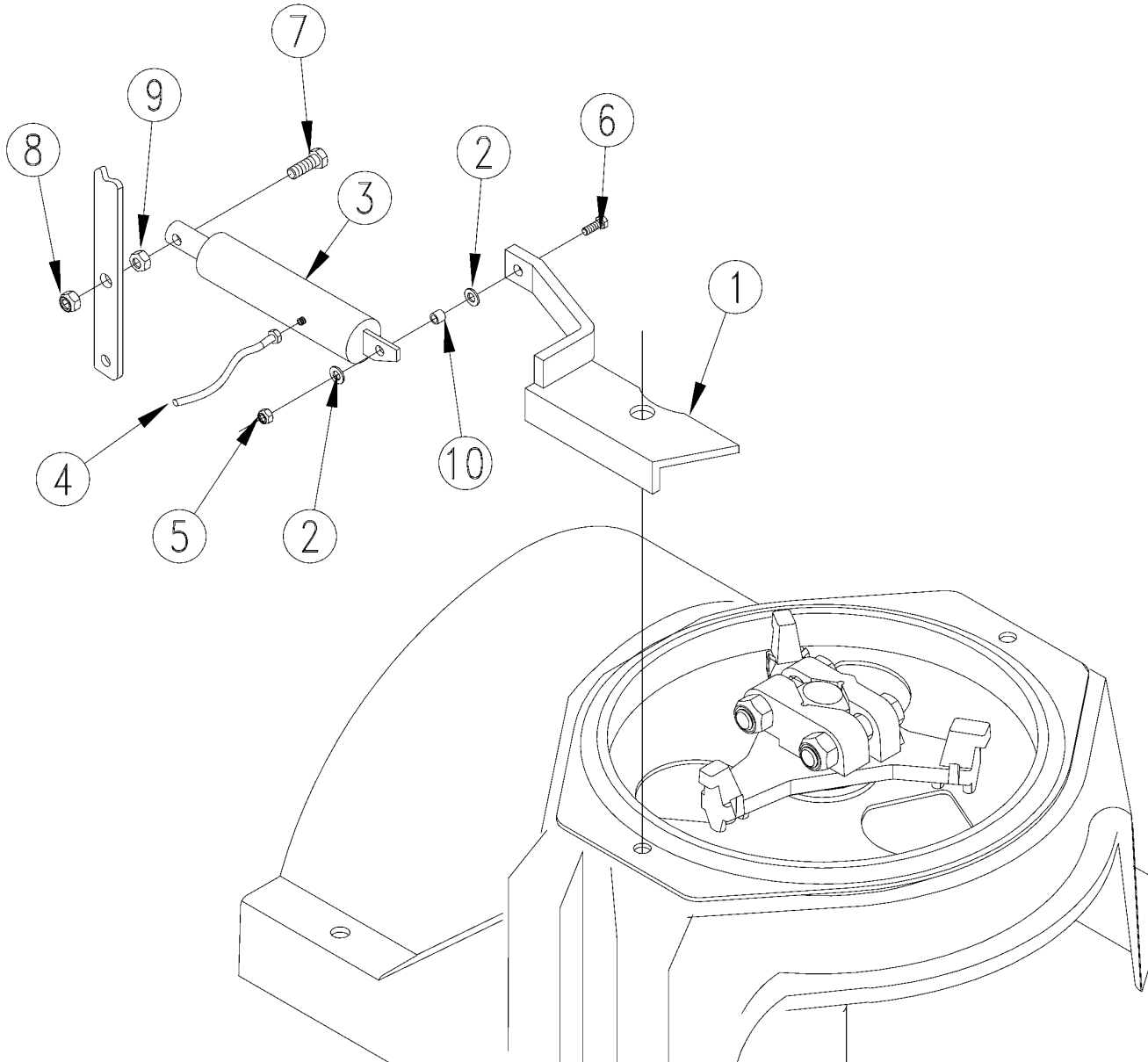
---

**Applies to PFS5060, PFS8010**

<b>Ref</b>	<b>Part No.</b>	<b>Part Description</b>	<b>Comments</b>	<b>Revision</b>
	dwg30722	Drawing Image Number		
1.	309-134A	AGITATOR 5060/8010		
2.	617.001	COSMO AGITATOR SPRING		

# Hydraulic Opener Kit PFS5060

Applies to PFS5060



30723

## Hydraulic Opener Kit PFS5060

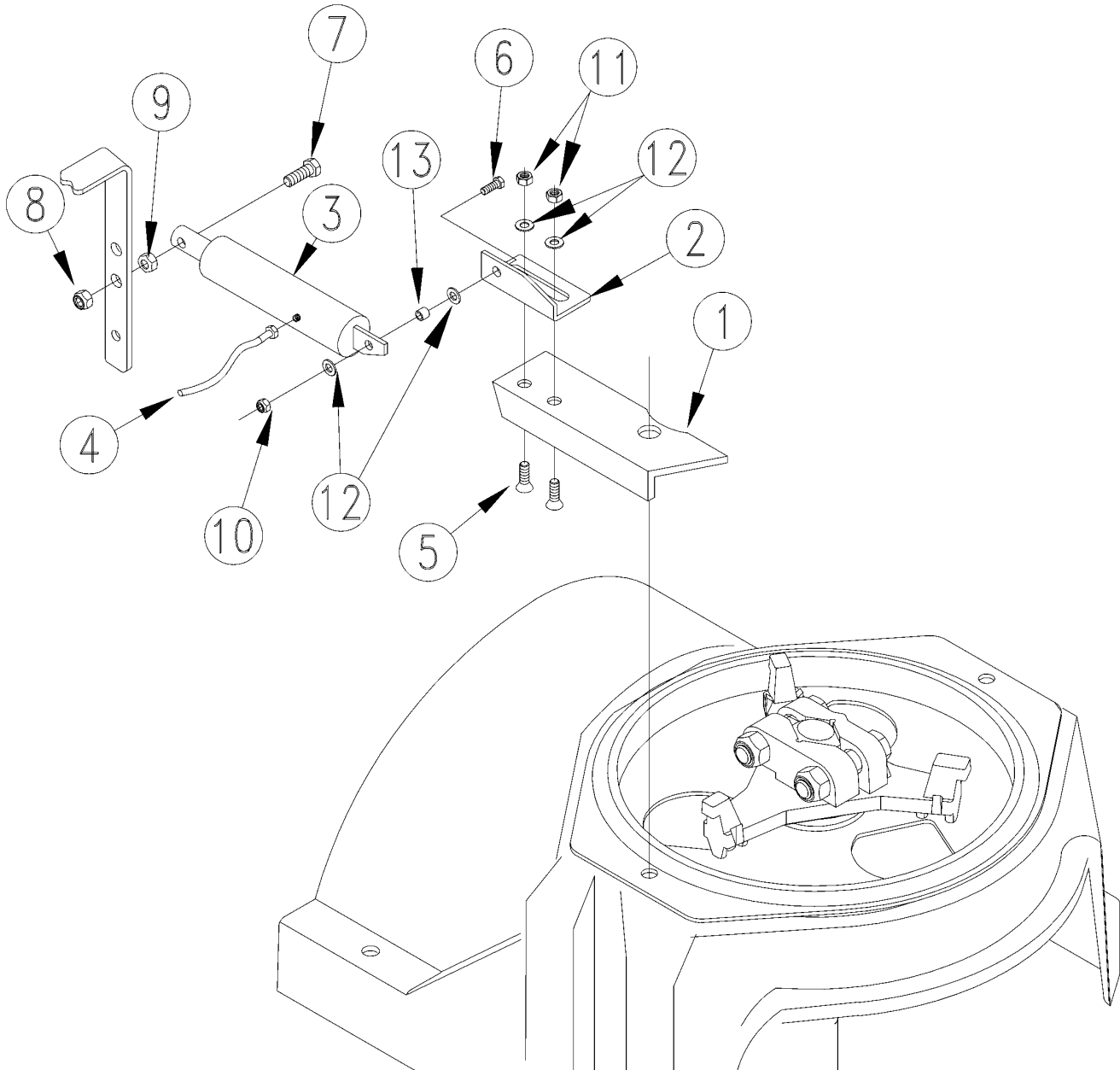
---

### Applies to PFS5060

Ref	Part No.	Part Description	Comments	Revision
	dwg30723	Drawing Image Number		
	309-126A	5060 HYDRAULIC OPENING SYSTEM *		
1.	606.128	COSMO SUPPORT CYL. PLATE 5060		
2.	303.007	COSMO WASHER 8X17 UNI 6592		
3.	623.005	COSMO HYDRAULIC CYLINDER		
4.	304.023	COSMO HYDRAULIC TUBE		
5.	301.001	COSMO NUT M8 SELF LOCKING		
6.	300.050	COSMO SCREW HEX HD 8X25		
7.	300.055	COSMO SCREW HEX HD 12X60		
8.	301.008	COSMO SELF LOCK NUT M12		
9.	301.000	COSMO NUT M12		
10.	325.012	COSMO BSHING 13X8X7		

# Hydraulic Opener Kit PFS8010

Applies to PFS8010



30725

## Hydraulic Opener Kit PFS8010

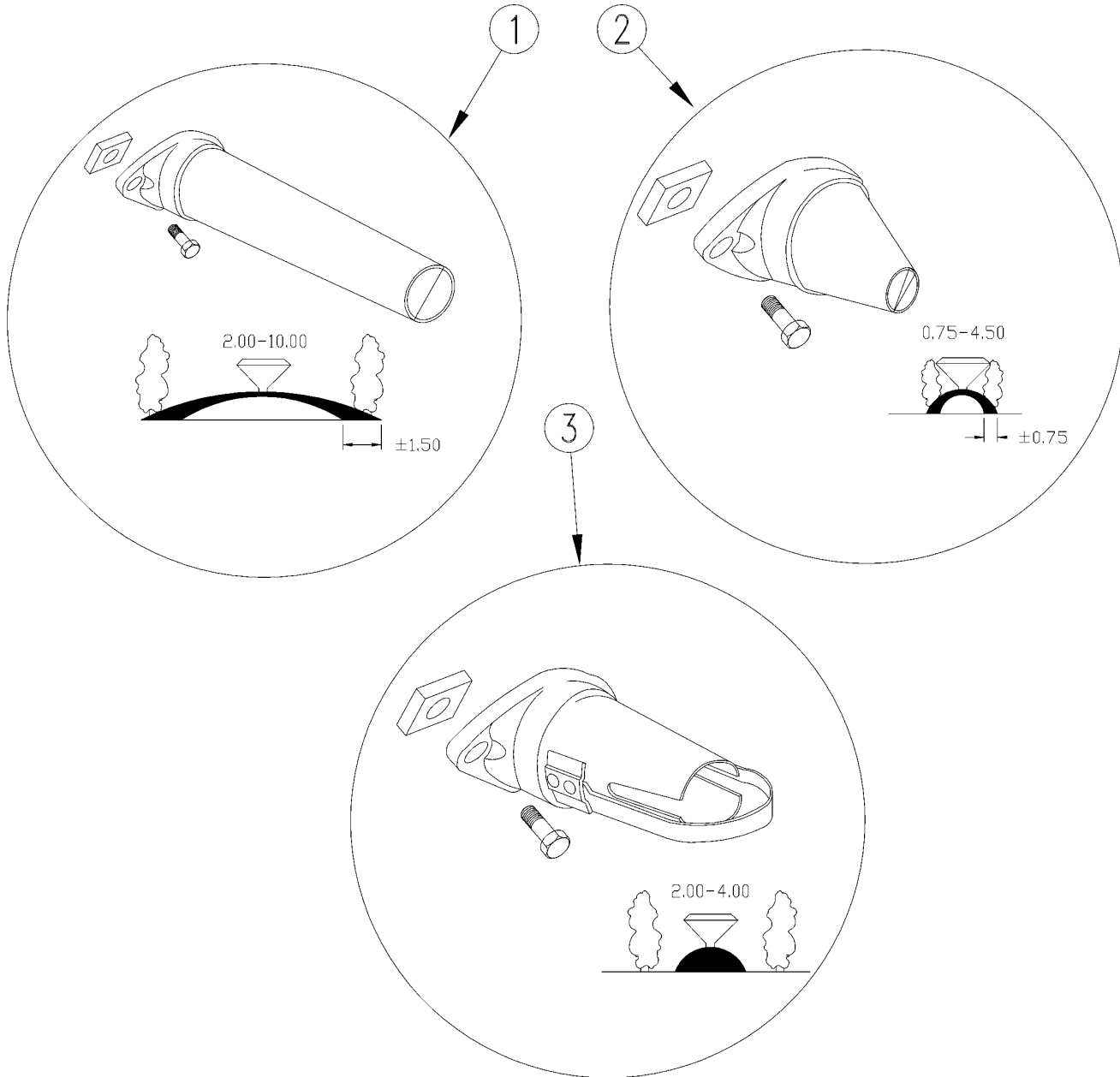
---

### Applies to PFS8010

Ref	Part No.	Part Description	Comments	Revision
	dwg30725 309-130A	Drawing Image Number 8010 HYDRAULIC OPENING SYSTEM *		
1.	606.129	COSMO SUPPORT CYL. PLATE 8010		
2.	606.085	COSMO CONNECTION PLT, HYD.OPEN		
3.	623.005	COSMO HYDRAULIC CYLINDER		
4.	304.023	COSMO HYDRAULIC TUBE		
5.	300.040	COSMO SCREW TSEI 8X20		
6.	300.050	COSMO SCREW HEX HD 8X25		
7.	300.055	COSMO SCREW HEX HD 12X60		
8.	301.008	COSMO SELF LOCK NUT M12		
9.	301.000	COSMO NUT M12		
10.	301.001	COSMO NUT M8 SELF LOCKING		
11.	301.012	COSMO NUT HEX M8 UNI 5588		
12.	303.007	COSMO WASHER 8X17 UNI 6592		
13.	325.012	COSMO BSHING 13X8X7		

## Pendulum Spout Accessories

Applies to PFS4000, PFS5060, PFS8010





## ***Pendulum Spout Accessories***

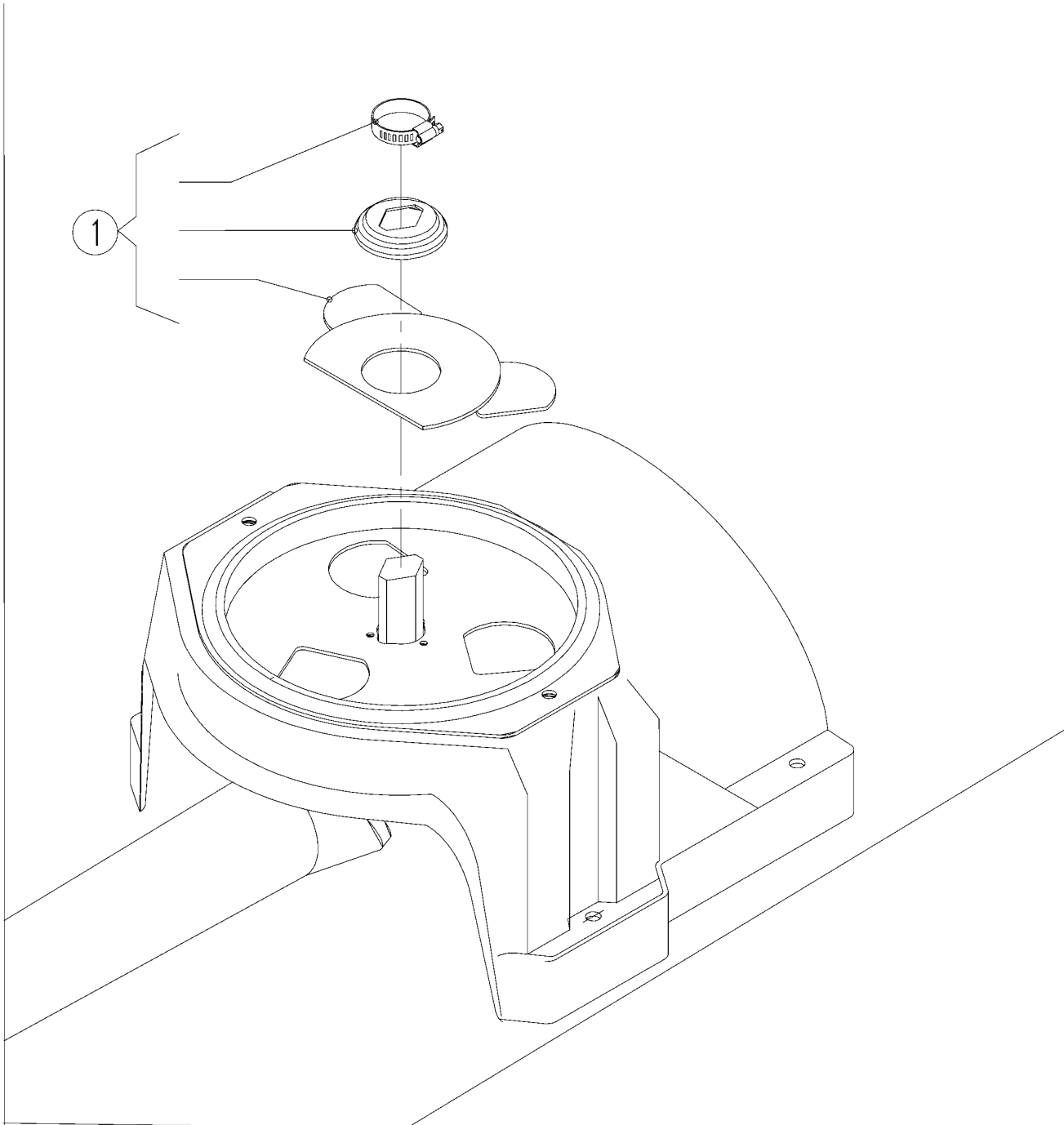
---

**Applies to PFS4000, PFS5060, PFS8010**

<b>Ref</b>	<b>Part No.</b>	<b>Part Description</b>	<b>Comments</b>	<b>Revision</b>
	dwg30719	Drawing Image Number		
1.	309-133A	TRAMLIN SPOUT 32'9"		
2.	309-131A	BANDING SPOUT		
3.	309-132A	TRAMLIN SPOUT 14'8"		

### Small Seed Limiter Kit (309-136A)

Applies to PFS4000, PFS5060, PFS8010



30718

## ***Small Seed Limiter Kit (309-136A)***

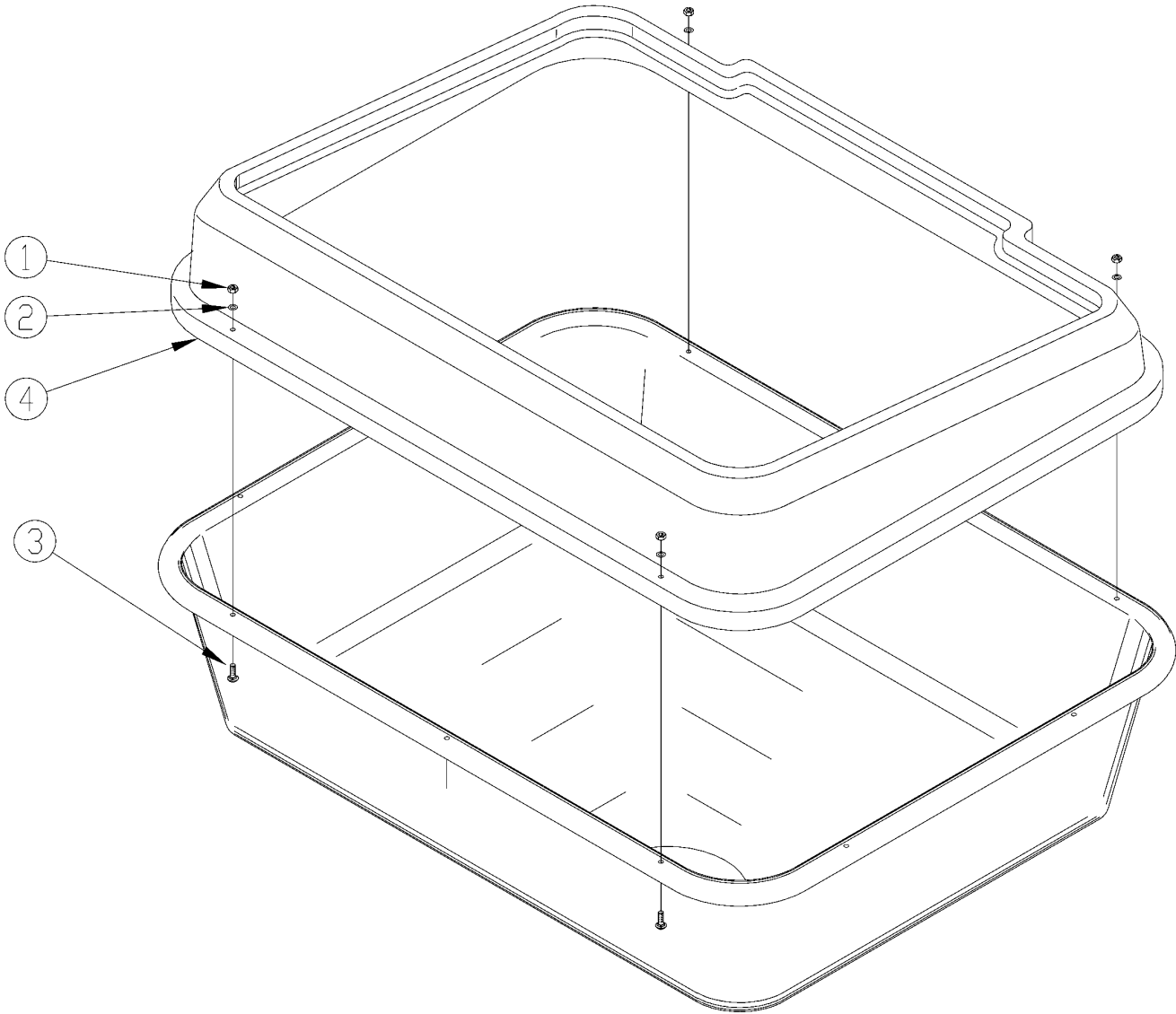
---

**Applies to PFS4000, PFS5060, PFS8010**

<b>Ref</b>	<b>Part No.</b>	<b>Part Description</b>	<b>Comments</b>	<b>Revision</b>
	dwg30718	Drawing Image Number		
	309-136A	SMALL SEED LIMITER KIT *		
1.	610.050	COSMO SMALL SEED LIMITER SUB	With Manual	

## Top Extension 240 Lbs

Applies to PFS5060



30923

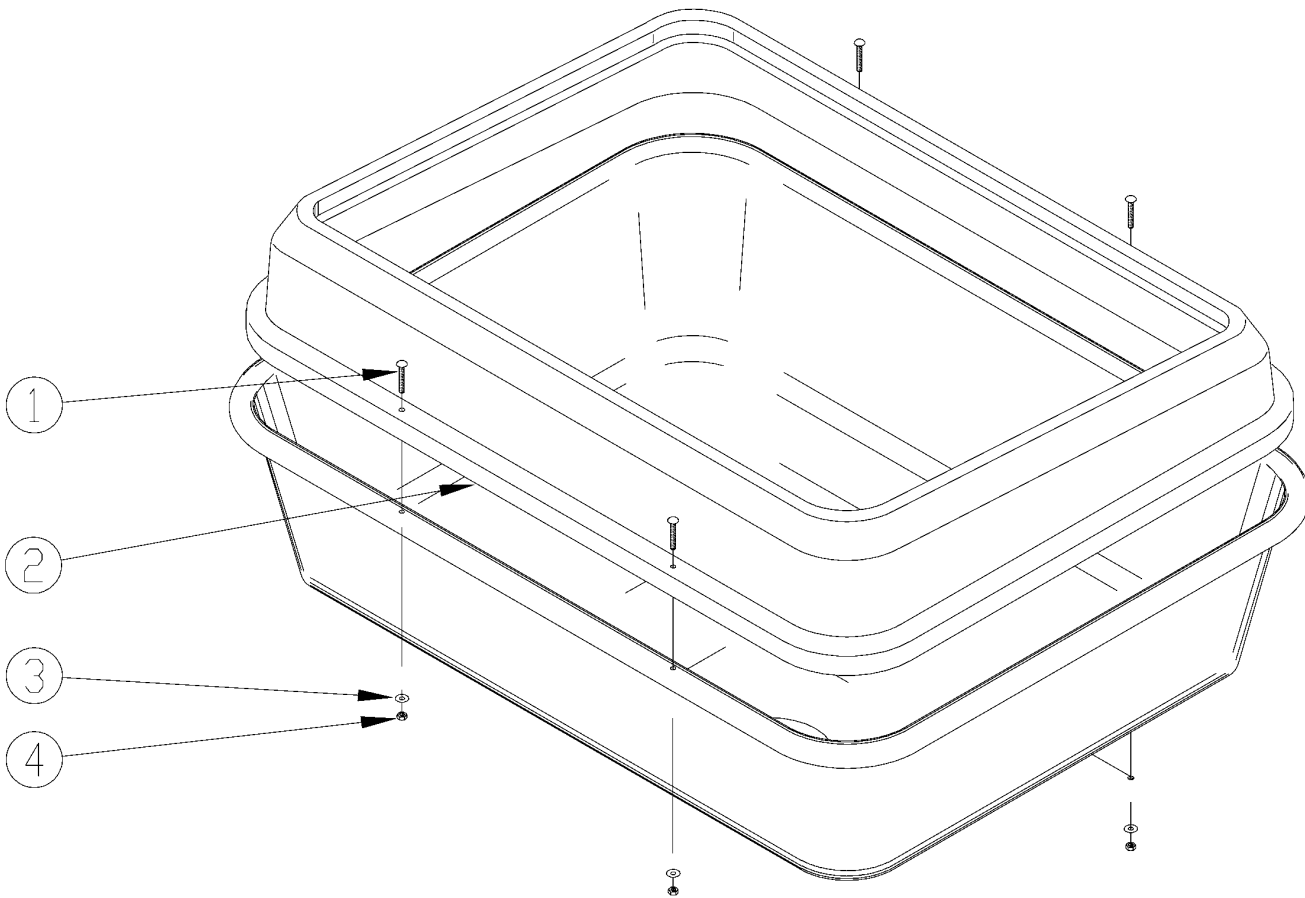
## ***Top Extension 240 Lbs***

**Applies to PFS5060**

<b>Ref</b>	<b>Part No.</b>	<b>Part Description</b>	<b>Comments</b>	<b>Revision</b>
	dwg30923	Drawing Image Number		
1.	301.010	COSMO NUT HEX M10 UNI 5588		
2.	303.015	COSMO WASHER 10X20 UNI 6592		
3.	300.059	COSMO SCREW RND HD 10X60		
5.	309-127A	TOP EXTENSION 240 LB		

**Top Extension 480 and 960 Lbs**

Applies to PFS8010



30924

## ***Top Extension 480 and 960 Lbs***

**Applies to PFS8010**

<b>Ref</b>	<b>Part No.</b>	<b>Part Description</b>	<b>Comments</b>	<b>Revision</b>
	dwg20924	Drawing Image Number		
1.	300.057	COSMO SCREW RND HD 10X80		
2.	309-128A	TOP EXTENSION 480 LB		
2.	309-129A	TOP EXTENSION 960 LB		
3.	303.015	COSMO WASHER 10X20 UNI 6592		
4.	301.010	COSMO NUT HEX M10 UNI 5588		



# Part Number Index

The Part Number Index is a numeric index of all part numbers included in this manual. The index shows what page(s) the part is used on.

<u>Part Number</u>	<u>Page</u>	<u>Part Number</u>	<u>Page</u>	<u>Part Number</u>	<u>Page</u>
299.005	21	305.009	23	610.018	19
299.006	21	306.009	21, 23	610.050	35
299.007	21	308.002	19	612.003	11
300.003	7	308.003	19	613.014	7
300.015	7	308.004	19	613.110	9
300.017	11	308.267	17	613.111	11
300.020	23	309-126A	29	617.001	27
300.033	19	309-127A	37	617.002	7
300.034	19	309-128A	39	617.003	13, 15
300.035	19	309-129A	39	618.010	7
300.040	31	309-130A	31	618.016	17
300.044	7, 9, 11	309-131A	33	618.017	17
300.045	9, 11	309-132A	33	618.019	23
300.049	11	309-133A	33	618.519	23
300.050	29, 31	309-134A	27	618.520	23
300.055	29, 31	309-136A	35	618.720	23
300.057	11, 39	309-138A	17	619.022	19
300.059	9, 11, 37	309-142A	23	623.005	29, 31
300.060	21	310.011	21	633.001	7
300.061	21	310.012	21	633.008	7
300.062	21	310.013	21	633.012	9
300.063	21	310.014	23	634.001	11
300.064	23, 25	310.015	23	635.008	13, 15
300.065	23	311.009	7, 9, 11, 25	635.013	9
300.066	17	311.400	25	635.014	11
300.074	9, 11	311.401	25	637.001	11
300.130	21	311.402	25	637.002	11
301.000	29, 31	311.403	25	801-199C	17
301.001	29, 31	311.404	25	804-206C	17
301.008	29, 31	311.405	25	804.001	13, 15
301.010	7, 9, 11, 37, 39	311.406	25	818-539C	7, 9, 11
301.012	31	311.407	25	818-541C	7, 9, 11
301.013	7, 11	311.408	25	818-895C	7, 9, 11
301.018	13, 15	311.409	25	826-745C	19, 21, 23
301.044	19	311.410	25	848-450C	7, 9, 11
301.045	19	311.411	25	848-717C	9
301.046	19	311.412	25	848-718C	11
301.047	21	311.413	25	848-719C	7
301.048	21	311.414	25	848-740C	7, 9, 11
301.049	23, 25	311.415	25	891-244C	7, 9, 11
301.051	17	311.416	25	Dwg 30714	19
301.059	9	311.418	25	Dwg 30715	21
303.001	21	311.419	25	Dwg 30717	17
303.002	21	311.420	25	dwg20924	39
303.003	19	311.421	25	dwg30713	7
303.004	19	313.007	21	dwg30716	23
303.007	29, 31	321.002	21	dwg30718	35
303.015	7, 9, 11, 37, 39	323.014	23	dwg30719	33
303.021	13, 15	325.012	29, 31	dwg30720	9
303.025	7, 11	325.014	9	dwg30721	13, 15
303.032	23	325.022	7	dwg30722	27
303.036	23	327.002	23	dwg30723	29
303.037	23	332.005	21	dwg30724	11
303.070	21	599.002	23	dwg30725	31
304.009	13, 15	600.003	21	dwg30751	25
304.019	17	600.004	21	dwg30923	37
304.023	29, 31	600.005	21	N/A	23
304.028	7	602.007	9		
304.037	19	602.008	11		
304.038	19	602.009	11		
304.039	19	602.018	13		
304.040	19	602.019	15		
304.041	21	606.085	31		
304.042	23	606.087	7		
304.046	17	606.128	29		
304.047	17	606.129	31		
304.110	21	609.015	7		
304.237	19	609.050	9		
305.001	9	609.051	11		
305.007	17	610.017	19		



***This Page Intentionally Left Blank***



Great Plains Manufacturing, Inc.

Corporate Office: P.O. Box 5060  
Salina, Kansas 67402-5060 USA

[www.landpride.com](http://www.landpride.com)

---