

Small Seeds Option Assembly Instructions



15 Series Overseeder (S/N 908755-)

Manual No. 308-304M

Before You Start



When you see this symbol, the subsequent instructions and warnings are serious - follow without exception. Your life and the lives of others depend on it!

IMPORTANT: Before you begin, read these instructions and check to be sure all parts and tools are accounted for. Please retain these installation instructions for future reference and parts ordering information.

These optional assembly instructions contain only information on assembling the attachment to the main unit. Please read these installation instructions and the vehicle Operator's Manual thoroughly before beginning. Especially read information relating to safety concerns. Also included in the Operator's Manual is important information on operation, adjustment, troubleshooting, and maintenance for this attachment (some manual sections do not apply to all accessories).

A separate Parts Manual for replacement parts can be purchased from your dealer or available free of charge at www.landpride.com. Have model and serial numbers handy when placing an order.

Manual Part Numbers:

- Operator's Manual 308-303M
- Parts Manual 308-303P

General Information

These option assembly instructions apply to the **Small Seeds Attachments** listed below. Compare the list below with your kit to make sure you have purchased the correct kit for your Overseeder.

Overseeders:

With S/N 543362 to 908755-

308-361A	OS1548 SMALL SEEDS ATTACH GW
308-362A	OS1548 SMALL SEEDS ATTACH RR
308-363A	OS1572 SMALL SEEDS ATTACH GW
308-364A	OS1572 SMALL SEEDS ATTACH RR

With S/N 543361-

308-233A	OS1548 Small Seeds-Gauge Wheel Drive
308-234A	OS1458 Small Seeds-Rear Roller Drive
308-235A	OS1572 Small Seeds-Gauge Wheel Drive
308-236A	OS1472 Small Seeds-Rear Roller Drive

Starting on page 8 is a detailed listing of parts included in these kits. Use this list as a checklist to inventory parts received.

Further Assistance

Your dealer wants you to be satisfied with your new Small Seeds Box. If for any reason you do not understand any part of this manual or are not satisfied with the service received, the following actions are suggested:

1. Discuss the matter with your dealership service manager making sure he is aware of any problems you may have and that he has had the opportunity to assist you.
2. If you are still not satisfied, seek out the owner or general manager of the dealership, explain the problem and request assistance.
3. For further assistance write to:

Land Pride Service Department
1525 East North Street
P.O. Box 5060
Salina, Ks. 67402-5060

E-mail address
lp servicedept@landpride.com

Assembly Instructions

Assembly Instructions

48" Rear Box Mounting Holes

Refer to Figure 1:

Remove chain guard on right hand side of overseeder.

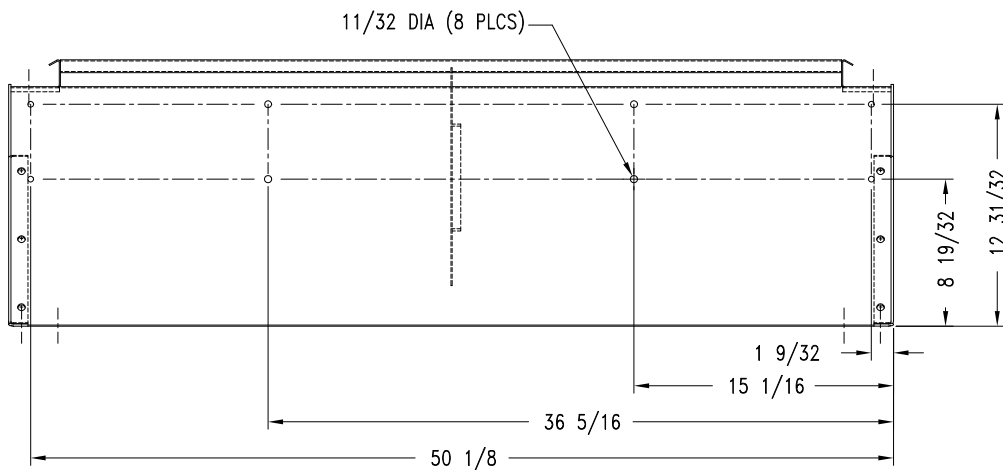
Eight 11/32" diameter holes in the back panel of the overseeder seedbox are required to mount the small seeds seedbox. Mark and drill these holes using the dimensions for your size overseeder.

72" Rear Box Mounting Holes

Refer to Figure 2:

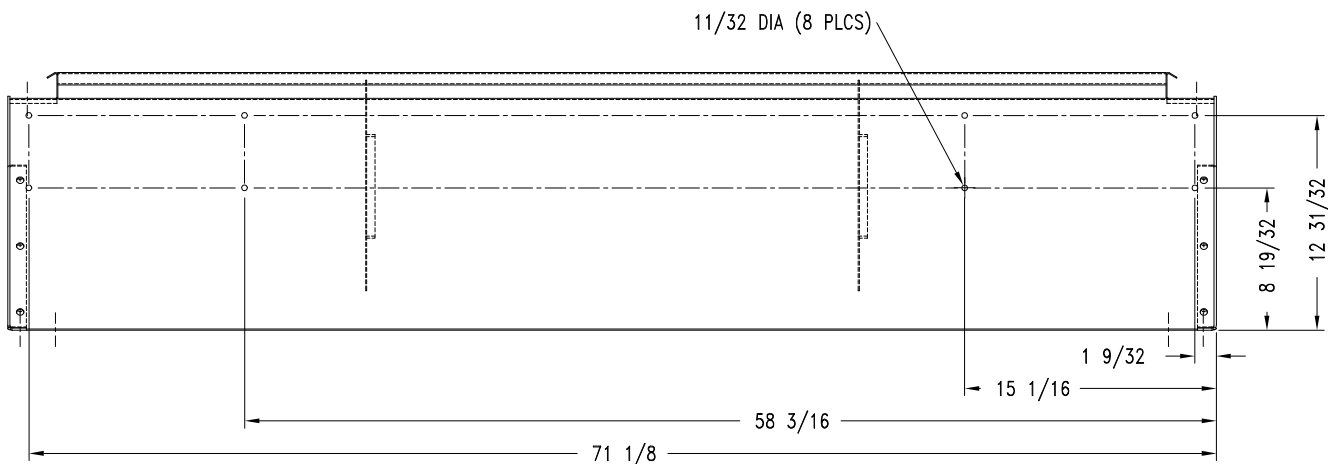
Remove chain guard on right hand side of overseeder.

Eight 11/32" diameter holes in the back panel of the overseeder seedbox are required to mount the Small Seeds Box. Mark and drill these holes using the dimensions for your size overseeder.



**48" Overseeder
Figure 1**

11665



**72" Overseeder
Figure 2**

11666

Assembly Instructions

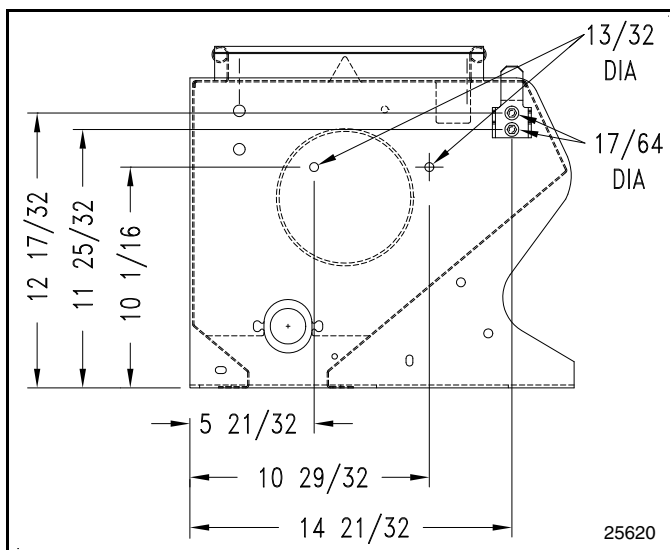
Rework Right Hand Side of Seedbox

There are two different hole patterns to be drilled depending upon which seedbox you have.

New Style Seedbox (S/N 543362 to 908755-)

Refer to Figure 3:

Two $13/32$ " diameter holes and two $17/64$ " diameter holes in the right end of the large seedbox are required to mount drive components and new chain guard. Mark and drill these holes as shown in Figure 2.

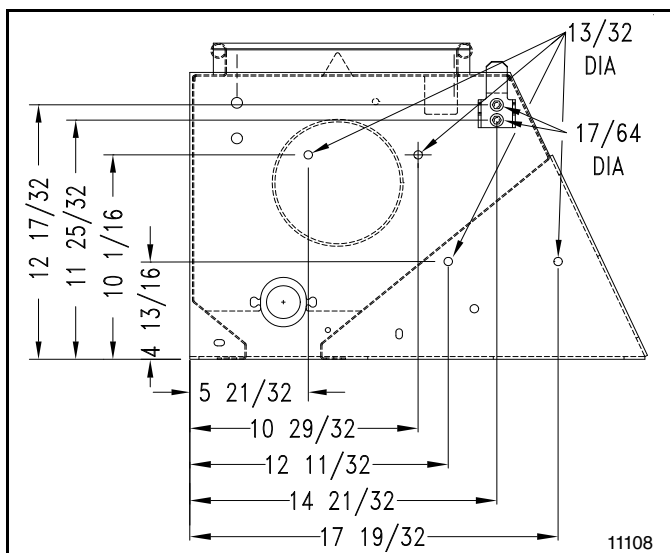


New Style Seedbox-Right Hand Side
Figure 3

Old Style Seedbox (S/N 543361-)

Refer to Figure 4:

Four $13/32$ " diameter holes and two $17/64$ " diameter holes in the right end of the large seedbox are required to mount drive components and new chain guard. Mark and drill these holes as shown in Figure 4.



Old Style Seedbox-Right Hand Side
Figure 4

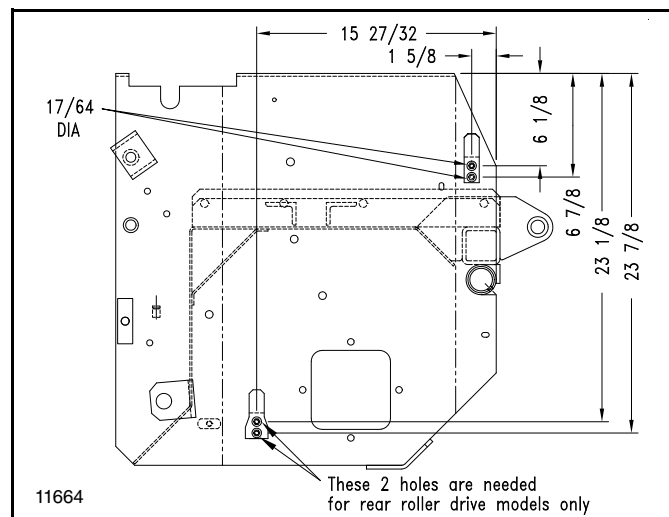
Rework Right Hand Side of Frame

NOTE: Some of the holes in Figure 5 may already exist on your overseeder.

New Style Frame

Refer to Figure 5:

Two $17/64$ " diameter holes are required in the right hand end plate of the overseeder frame to mount the new chain guard on gauge wheel drive units. For rear roller drive units, an additional two $17/64$ " diameter holes are required. Mark and drill these holes as shown in Figure 5.

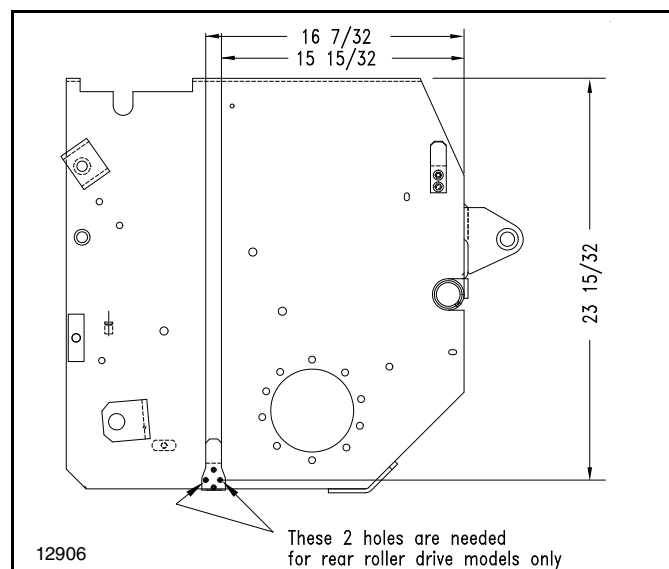


Frame-Right Hand Side
Figure 5

Old Style Frame

Refer to Figure 6:

Older overseeders will require 2 horizontal holes for the bottom chain guard bracket. Mark and drill these holes as shown in Figure 6.



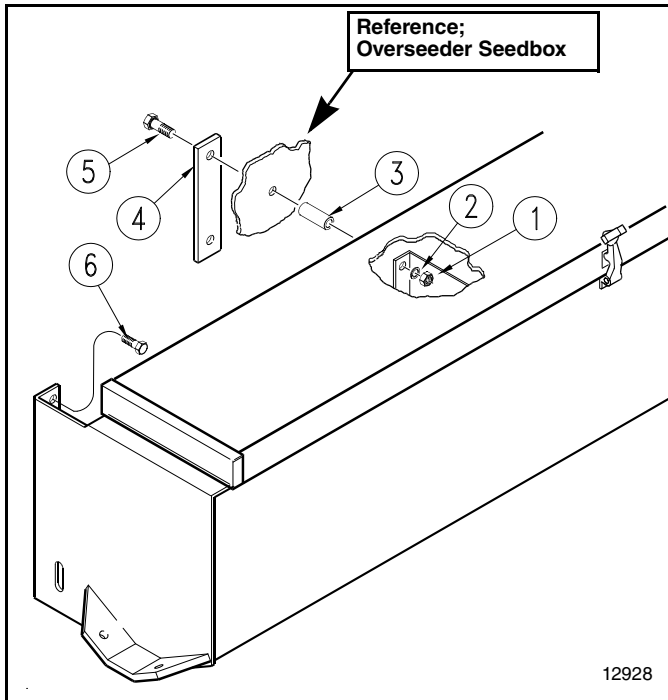
Older Overseeders
Figure 6

Assembly Instructions

Small Seeds Box Mounting

Refer to Figure 7:

1. Mount small seeds box to overseeder using 5/16" x 3 1/2" long bolt (#5), backing plate (#4), 5/8" OD x 2 7/16" long spacer (#3), 5/16" lock washer (#2) and 5/16" hex nut (#1). Be sure to use backing plates (#4) under bolt heads (#5) inside the overseeder seedbox.

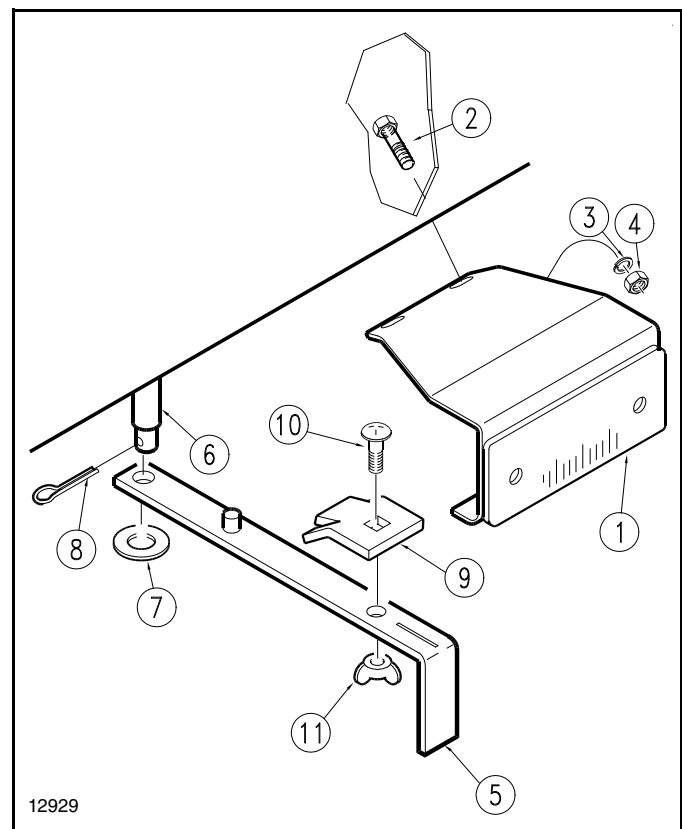


Box Mounting Hardware
Figure 7

Refer to Figure 8:

NOTE: These parts may already be assembled on your unit.

2. Mount seed rate adjustment gauge (#1) to small seeds box using 1/4" x 5/8" long bolts (#2), 1/4" lock washers (#3) and 1/4" nuts (#4).
3. Attach the handle (#5) to pivot (#6) using 3/8" flat washer (#7) and cotter pin (#8).
4. Fasten lock tab (#9) to handle using 5/16" x 3/4" long carriage bolt (#10) and wing nut (#11).
5. While moving the handle from left to right, carefully move the brass gauge and its mount until the cups are fully closed at "0" and fully open at "100". Tighten all hardware in this position.



Box Mounting Hardware
Figure 8

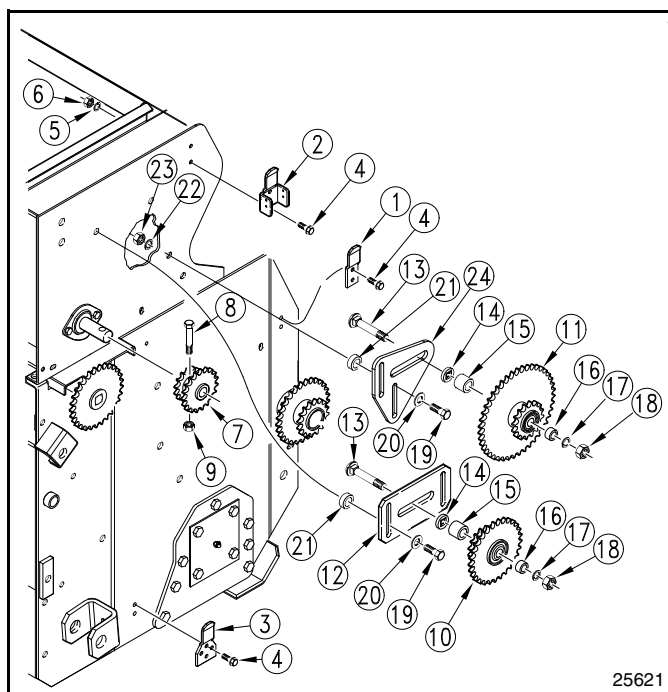
Assembly Instructions

Drive Installation

New Style Seedbox (S/N 543362 to 908755-)

Refer to Figure 9:

1. Install the chain guard mount stakes (#1), (#2) and (#3) using 1/4" x 5/8" long bolts (#4), 1/4" lock washers (#5) and 1/4" hex nuts (#6).
2. Remove roller chain from sprocket on end of agitator shaft.
3. Remove sprocket from end of agitator shaft.
4. Install agitator double sprocket (#7) onto agitator shaft with small sprocket to the inside using a 1/2" x 1 1/2" long bolt (#8) and 1/4" lock nut (#9).
5. Assemble 16/29T double sprocket (#10) to idler plate (#12) using 5/8" x 3" long carriage bolt (#13), 21/32" sq. x 1 1/2" flat washer (#14), 1" OD x 0.856" long spacer (#15), 1" OD x 1/4" long spacer (#16), 5/8" lock washer (#17) and 5/8" nut (#18).
6. Assemble 16/43T double sprocket (#11) to idler plate (#24) using 5/8" x 3" long carriage bolt (#13), 21/32" sq. x 1 1/2" flat washer (#14), 1" OD x 0.856" long spacer (#15), 1" OD x 1/4" long spacer (#16), 5/8" lock washer (#17) and 5/8" nut (#18).
7. Attach sprocket assemblies to overseeder using 3/8" x 1 1/4" long bolts (#19), 3/8" flat washers (#20), 3/4" OD x 3/8" long spacer (#21), 3/8" lock washer (#22) and 3/8" nut (#23).

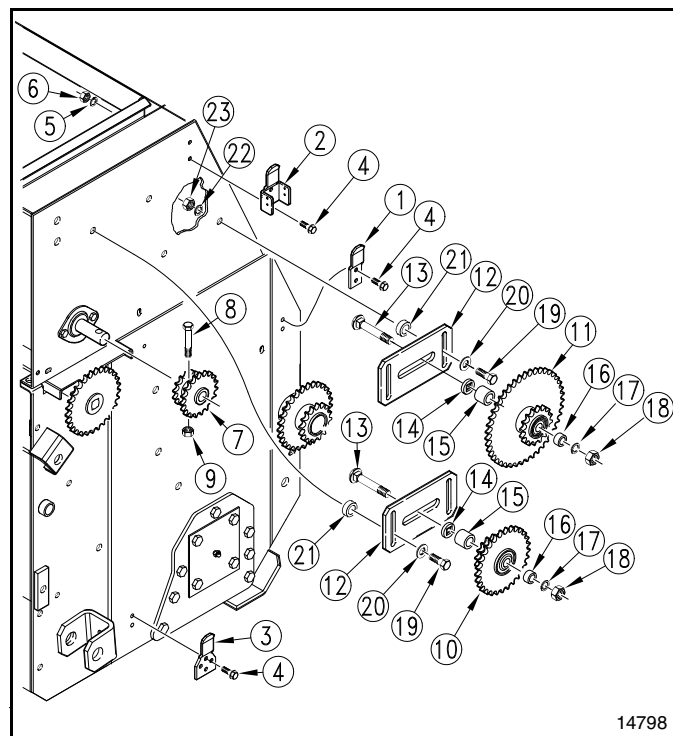


Sprocket Assembly on New Style Seedbox
Figure 9

Old Style Seedbox (S/N 543361-)

Refer to Figure 10:

1. Install the chain guard mount stakes (#1), (#2) and (#3) using 1/4" x 5/8" long bolts (#4), 1/4" lock washers (#5) and 1/4" hex nuts (#6).
2. Remove roller chain from sprocket on end of agitator shaft.
3. Remove sprocket from end of agitator shaft.
4. Install agitator double sprocket (#7) onto agitator shaft with small sprocket to the inside using a 1/2" x 1 1/2" long bolt (#8) and 1/4" lock nut (#9).
5. Assemble 16/29T double sprocket (#10) to idler plate (#12) using 5/8" x 3" long carriage bolt (#13), 21/32" sq. x 1 1/2" flat washer (#14), 1" OD x 0.856" long spacer (#15), 1" OD x 1/4" long spacer (#16), 5/8" lock washer (#17) and 5/8" nut (#18).
6. Assemble 16/43T double sprocket (#11) to idler plate (#12) using 5/8" x 3" long carriage bolt (#13), 21/32" sq. x 1 1/2" flat washer (#14), 1" OD x 0.856" long spacer (#15), 1" OD x 1/4" long spacer (#16), 5/8" lock washer (#17) and 5/8" nut (#18).
7. Attach sprocket assemblies to overseeder using 3/8" x 1 1/4" long bolts (#19), 3/8" flat washers (#20), 3/4" OD x 3/8" long spacer (#21), 3/8" lock washer (#22) and 3/8" nut (#23).



Sprocket Assembly on Old Style Seedbox
Figure 10

Assembly Instructions

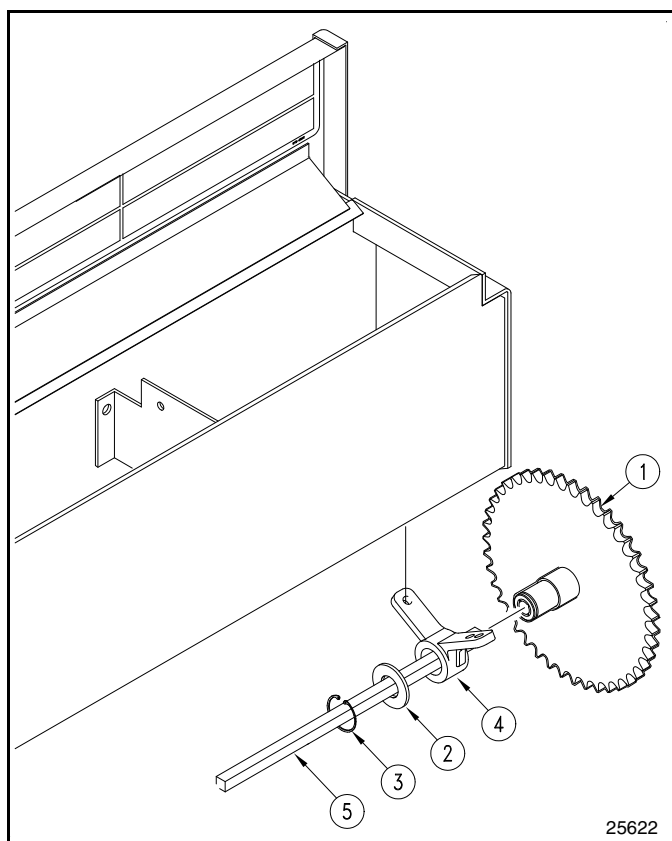
Small Seeds Drive Installation

Overseeder with S/N 124695- & 222276+

Refer to Figure 11:

The follow instructions are for Overseeder with serial number 124695 and below or 222276 and above. If your Overseeder is in between these serial numbers, then follow instructions for “**Overseeder with S/N 124696 to 222275**”.

1. Install small seeds box cup drive sprocket (#1) onto cup drive shaft (#5) and into hanger bearing (#4).
2. Slide machine washer (#2) against the hanger bearing and then secure drive sprocket (#1) in place with snap ring (#3). Make sure machine washer is positioned between hanger bearing and snap ring.
3. Install roller chains and move idler plates to remove chain slack.
4. Tighten all hardware to the correct torque.
5. Install new chain guard and latch it in place with rubber latches.



Drive Assembly
Figure 11

Overseeder with S/N 124696 to 222275

Refer to Figure 12:

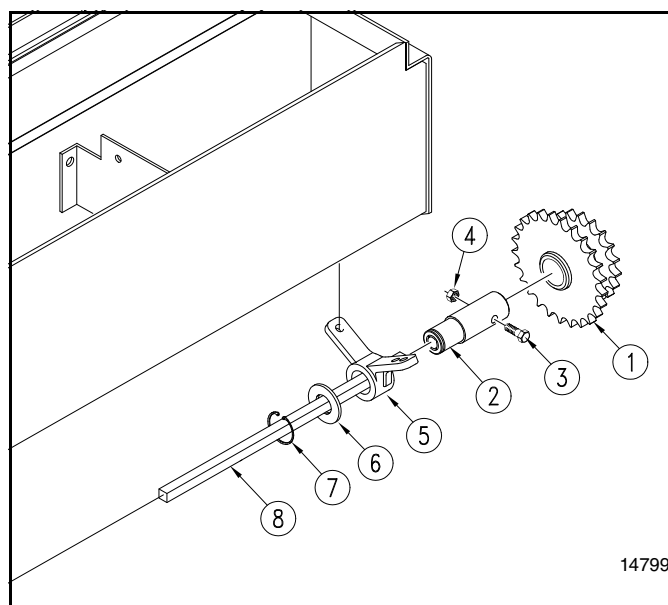
The follow instructions are for Overseeder with serial numbers between 124696 and 222275 inclusive. If this is not your Overseeder, then follow instructions for “**Overseeder with S/N 124695- & 222276+**”.

Overseeder in this serial number range that have not had their drive components updated will require you to order additional small seeds drive components from your local Land Pride dealer. Not ordering the additional drive components will result in incorrect seed rates.

Additional Small Seeds Drive Components

Item	Part No.	Part Description
1	308-297H	SSB CUP DRIVE SPROCKET 19T-25T
2	313-244D	SGS CUP DRIVE INNER HUB
3	802-370C	HHCS 1/4-20X1 3/4 GR5
4	803-007C	NUT LOCK 1/4-20 PLT

1. Install small seeds cup drive sprocket (#1) to small seeds inner hub (#2) using 1/4" x 1 3/4" long bolt (#3) and 1/4" lock nut (#4).
2. Install small seeds inner hub (#2) onto cup drive shaft (#8) and into hanger bearing (#5).
3. Slide machine washer (#6) against the hanger bearing and then secure inner hub (#2) in place with snap ring (#7). Make sure machine washer is positioned between hanger bearing and snap ring.
4. Install roller chains and move idler plates to remove chain slack.
5. Tighten all hardware to the correct torque.
6. Install new chain guard and latch it in place with rubber latches.



Drive Assembly
Figure 12

Assembly Instructions

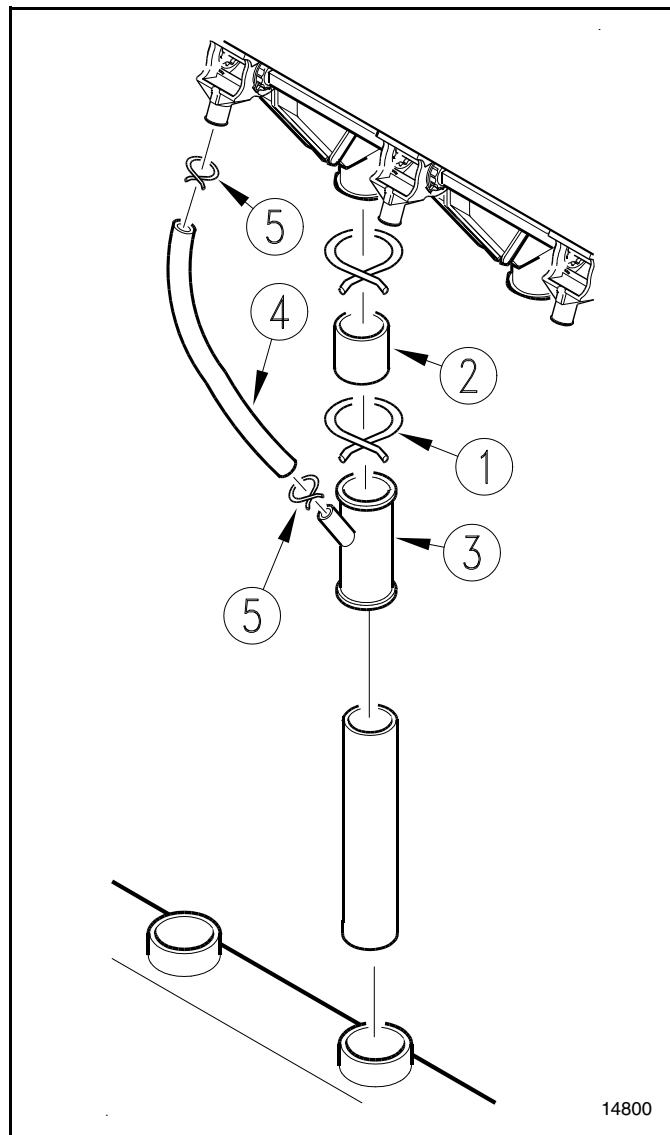
Small Seeds Hose Installation

Refer to Figure 13:

1. Remove large seed hoses from the overseeder and cut 4" off one end.

NOTE: This length may be more or less depending on your preference of fit.

2. Install a clamp (#1) and connector hose (#2) on each large seed cup.
3. Install Y-tube (#3) and clamp (#1) onto the bottom of each connector hose (#2) installed above.
4. Reinstall large seed hoses previously removed.
5. Attach small grass seed hoses (#4) with clamps (#5).



Hose Assembly
Figure 13

Assembly Instructions

308-361A 15 Series 48" Overseeder Small Seeds for Gauge Wheel Drive Overseeders with (S/N 543362+)

Your Kit Includes:

Qty.	Part No.	Part Description
1	308-239L	OS1548 SMALL SEEDS BOX ASSY
1	308-243L	SSB CHAIN GUARD BUNDLE GW DRV
1	308-245L	OS1548 SSB SEED HOSE BUNDLE
1	308-304M	MANUAL OS1548/72 SSB 1994
1	308-360L	OS SMALL SEEDS DRIVE BUNDLE

308-362A 15 Series 48" Overseeder Small Seeds for Rear Roller Drive Overseeders with (S/N 543362+)

Your Kit Includes:

Qty.	Part No.	Part Description
1	308-239L	OS1548 SMALL SEEDS BOX ASSY
1	308-244L	SSB CHAIN GUARD BUNDLE RR DRV
1	308-245L	OS1548 SSB SEED HOSE BUNDLE
1	308-304M	MANUAL OS1548/72 SSB 1994
1	308-360L	OS SMALL SEEDS DRIVE BUNDLE

308-363A 15 Series 72" Overseeder Small Seeds for Gauge Wheel Drive Overseeders with (S/N 543362+)

Your Kit Includes:

Qty.	Part No.	Part Description
1	308-240L	OS1572 SMALL SEEDS BOX ASSY
1	308-243L	SSB CHAIN GUARD BUNDLE GW DRV
1	308-246L	OS1572 SSB SEED HOSE BUNDLE
1	308-304M	MANUAL OS1548/72 SSB 1994
1	308-360L	OS SMALL SEEDS DRIVE BUNDLE

308-364A 15 Series 72" Overseeder Small Seeds for Rear Roller Drive Overseeders with (S/N 543362+)

Your Kit Includes:

Qty.	Part No.	Part Description
1	308-240L	OS1572 SMALL SEEDS BOX ASSY
1	308-244L	SSB CHAIN GUARD BUNDLE RR DRV
1	308-246L	OS1572 SSB SEED HOSE BUNDLE
1	308-304M	MANUAL OS1548/72 SSB 1994
1	308-360L	OS SMALL SEEDS DRIVE BUNDLE

Assembly Instructions

308-233A 15 Series 48" Overseeder Small Seeds for Gauge Wheel Drive Overseeders with (S/N 543361-)

Your Kit Includes:

Qty.	Part No.	Part Description
1	308-239L	OS1548 SMALL SEEDS BOX ASSY
1	308-241L	OS SMALL SEEDS DRIVE BUNDLE
1	308-243L	SSB CHAIN GUARD BUNDLE GW DRV
1	308-245L	OS1548 SSB SEED HOSE BUNDLE
1	308-304M	MANUAL OS1548/72 SSB 1994

308-234A 15 Series 48" Overseeder Small Seeds for Rear Roller Drive Overseeders with (S/N 543361-)

Your Kit Includes:

Qty.	Part No.	Part Description
1	308-239L	OS1548 SMALL SEEDS BOX ASSY
1	308-241L	OS SMALL SEEDS DRIVE BUNDLE
1	308-244L	SSB CHAIN GUARD BUNDLE RR DRV
1	308-245L	OS1548 SSB SEED HOSE BUNDLE
1	308-304M	MANUAL OS1548/72 SSB 1994

308-235A 15 Series 72" Overseeder Small Seeds for Gauge Wheel Drive Overseeders with (S/N 543361-)

Your Kit Includes:

Qty.	Part No.	Part Description
1	308-240L	OS1572 SMALL SEEDS BOX ASSY
1	308-241L	OS SMALL SEEDS DRIVE BUNDLE
1	308-243L	SSB CHAIN GUARD BUNDLE GW DRV
1	308-246L	OS1572 SSB SEED HOSE BUNDLE
1	308-304M	MANUAL OS1548/72 SSB 1994

308-236A 15 Series 72" Overseeder Small Seeds for Rear Roller Drive Overseeders with (S/N 543361-)

Your Kit Includes:

Qty.	Part No.	Part Description
1	308-240L	OS1572 SMALL SEEDS BOX ASSY
1	308-241L	OS SMALL SEEDS DRIVE BUNDLE
1	308-244L	SSB CHAIN GUARD BUNDLE RR DRV
1	308-246L	OS1572 SSB SEED HOSE BUNDLE
1	308-304M	MANUAL OS1548/72 SSB 1994
1	308-236A	OS1572 SMALL SEEDS ATTACH RR

Assembly Instructions

308-360L Overseeder Small Seeds Drive Bundle

Your Kit Includes:

Qty.	Part No.	Part Description
4	123-358D	10' EWNT SGS SPACER TUBE
4	123-359D	SGS BACKING PLATE
1	308-227H	SSB DOUBLE AGITATR SPKT 14/19T
1	308-231S	SSB DOUBLE SPKT ASSY 16/29T
1	308-232S	SSB DOUBLE SPKT ASSY 16/43T
1	308-313D	SSB DRIVE IDLER PLATE
2	308-314D	SSB SPACER TUBE 1 OD X 1/4 LG
2	308-315D	SSB SPACER TUBE 1 OD X 0.856 L
4	308-316D	SSB SPACER TUBE 3/4 OD X 3/8 L
2	308-317D	WASHER FLAT 21/32 SQ X 1 1/2
1	308-414D	SM SEEDS ADJUSTMENT PLATE
4	802-079C	HHCS 3/8-16X1 1/4 GR5
4	802-159C	HHCS 5/16-18X1 GR5
4	802-190C	HHCS 5/16-18X3 1/2 GR5 FTTHD
2	802-338C	RHSNB 5/8-11X3 GR5
8	803-008C	NUT HEX 5/16-18 PLT
4	803-014C	NUT HEX 3/8-16 PLT
2	803-021C	NUT HEX 5/8-11 PLT
8	804-009C	WASHER LOCK SPRING 5/16 PLT
4	804-012C	WASHER FLAT 3/8 SAE PLT
4	804-013C	WASHER LOCK SPRING 3/8 PLT
2	804-022C	WASHER LOCK SPRING 5/8 PLT
1	809-093C	ROLLER CHAIN #40 X 52 PITCHES
1	809-124C	CHAIN RL #40 X 70 PITCH W/CON
1	809-125C	CHAIN RL #40 X 90 PITCH W/CON

Assembly Instructions

308-239L 15 Series 48" Overseeder Small Seeds Box Assembly

Your Kit Includes:

Qty.	Part No.	Part Description
1	123-050H	ADJUSTMENT HANDLE PIVOT
1	123-113D	LOCK TAB
1	123-116D	SEED ADJUSTMENT SPOOL
1	123-118D	SEED ADJUSTMENT SUPPORT
2	123-356D	10' EWNT SGS LID LATCH
1	123-410D	GAUGE MOUNTING BRACKET
1	123-476H	REAR SEED RATE ADJ HANDLE WLD
1	308-221H	SSB BOX LID OS1548
1	308-223H	SSB BOX OS1548
1	308-311D	SSB CUP SHAFT OS1548
1	313-244D	SGS CUP DRIVE INNER HUB
1	800-028C	SNAP RING .875
3	800-101C	RIVET POP 1/8 .125 AD42BSLF
2	801-001C	SCREW RD HD 8-32 X 3/8 BRASS
4	801-003C	SCREW RD HD SLT 10-24X1/2 PLT
4	801-035C	SCREW SET 5/16-18 SKT KP X 3/8
3	802-078C	HHCS 1/4-20X5/8 GR5
1	802-092C	RHSNB 5/16-18X3/4 GR5
14	802-148C	HFSS 1/4-20X1/2 GR5
4	802-196C	HFSS 1/4-20X5/8 GR5
2	802-257C	HFSS 1/4-20X3/4 GR5
4	803-001C	NUT HEX 10-24 PLT
18	803-006C	NUT HEX 1/4-20 PLT
3	803-007C	NUT LOCK 1/4-20 PLT
2	803-035C	NUT HEX 8-32 BRASS
1	803-058C	NUT WING 5/16-18
2	803-088C	NUT HEX LOCK 1/4-20 FLG
2	804-002C	WASHER INTERNAL STAR #8 BRASS
4	804-003C	WASHER FLAT #8 BRASS
4	804-004C	WASHER INTERNAL STAR #10 PLT
4	804-006C	WASHER LOCK SPRING 1/4 PLT
7	804-042C	WASHER GRASS SEEDER CUP SHAFT
1	804-044C	WASHER MACH 1.38 X .876 X .048
8	804-046C	WASHER FLAT #10 SAE PLT
1	805-019C	PIN COTTER 5/32 X 1 PLT
14	805-067C	PIN COTTER 1/8 X 3/4
1	816-112C	RUBBER LATCH 37-11-065-10
1	816-113C	LATCH KEEPER 37-15-061-17
7	817-008C	GRASS SEEDER CUP ASSEMBLY
7	817-009C	GRASS SEEDER SLEEVE
7	817-010C	GRASS SEEDER SPROCKET
1	817-026C	DRIVE SPROCKET HANGER BEARING
1	818-286C	DECAL OS1548/72 SSB SEED RATES
1	819-041C	SEED ADJUSTMENT GAUGE
2	890-349C	3/8" SHAFT LOCKING COLLAR

308-245L 15 Series 48" Overseeder Small Seeds Hose Bundle

Your Kit Includes:

Qty.	Part No.	Part Description
7	123-231D	GRASS SEED DROP TUBE CONN HOSE
7	308-320D	SSB SEED HOSE 5/8 ID X 16 LONG
14	800-009C	CLAMP HOSE 1 5/8 NO. 26
14	800-029C	CLAMP HOSE GRASS SEED
7	817-052C	GRASS SEED DROP TUBE

Assembly Instructions

308-240L 15 Series 72" Overseeder Small Seeds Box Assembly

Your Kit Includes:

Qty.	Part No.	Part Description
1	123-050H	ADJUSTMENT HANDLE PIVOT
1	123-113D	LOCK TAB
1	123-116D	SEED ADJUSTMENT SPOOL
1	123-118D	SEED ADJUSTMENT SUPPORT
2	123-356D	10' EWNT SGS LID LATCH
1	123-410D	GAUGE MOUNTING BRACKET
1	123-476H	REAR SEED RATE ADJ HANDLE WLD
1	308-222H	SSB BOX LID OS1572
1	308-224H	SSB BOX OS1572
1	308-312D	SSB CUP SHAFT OS1572
1	313-244D	SGS CUP DRIVE INNER HUB
1	800-028C	SNAP RING .875
3	800-101C	RIVET POP 1/8 .125 AD42BSLF
2	801-001C	SCREW RD HD 8-32 X 3/8 BRASS
4	801-003C	SCREW RD HD SLT 10-24X1/2 PLT
4	801-035C	SCREW SET 5/16-18 SKT KP X 3/8
3	802-078C	HHCS 1/4-20X5/8 GR5
1	802-092C	RHSNB 5/16-18X3/4 GR5
20	802-148C	HFSS 1/4-20X1/2 GR5
4	802-196C	HFSS 1/4-20X5/8 GR5
2	802-257C	HFSS 1/4-20X3/4 GR5
4	803-001C	NUT HEX 10-24 PLT
24	803-006C	NUT HEX 1/4-20 PLT
3	803-007C	NUT LOCK 1/4-20 PLT
2	803-035C	NUT HEX 8-32 BRASS
1	803-058C	NUT WING 5/16-18
2	803-088C	NUT HEX LOCK 1/4-20 FLG
2	804-002C	WASHER INTERNAL STAR #8 BRASS
4	804-003C	WASHER FLAT #8 BRASS
4	804-004C	WASHER INTERNAL STAR #10 PLT
4	804-006C	WASHER LOCK SPRING 1/4 PLT
10	804-042C	WASHER GRASS SEEDER CUP SHAFT
1	804-044C	WASHER MACH 1.38 X .876 X .048
8	804-046C	WASHER FLAT #10 SAE PLT
1	805-019C	PIN COTTER 5/32 X 1 PLT
20	805-067C	PIN COTTER 1/8 X 3/4
1	816-112C	RUBBER LATCH 37-11-065-10
1	816-113C	LATCH KEEPER 37-15-061-17
10	817-008C	GRASS SEEDER CUP ASSEMBLY
10	817-009C	GRASS SEEDER SLEEVE
10	817-010C	GRASS SEEDER SPROCKET
1	817-026C	DRIVE SPROCKET HANGER BEARING
1	818-286C	DECAL OS1548/72 SSB SEED RATES
1	819-041C	SEED ADJUSTMENT GAUGE
2	890-349C	3/8" SHAFT LOCKING COLLAR

308-246L 15 Series 72" Overseeder Small Seeds Hose Bundle

Your Kit Includes:

Qty.	Part No.	Part Description
10	123-231D	GRASS SEED DROP TUBE CONN HOSE
10	308-320D	SSB SEED HOSE 5/8 ID X 16 LONG
20	800-009C	CLAMP HOSE 1 5/8 NO. 26
20	800-029C	CLAMP HOSE GRASS SEED
10	817-052C	GRASS SEED DROP TUBE

Assembly Instructions

308-241L 15 Series Overseeder Small Seeds Drive

Your Kit Includes:

Qty.	Part No.	Part Description
4	123-358D	10' EWNT SGS SPACER TUBE
4	123-359D	SGS BACKING PLATE
1	308-231S	SSB DOUBLE SPKT ASSY 16/29T
1	308-232S	SSB DOUBLE SPKT ASSY 16/43T
1	308-296H	SSB AGITATOR SPROCKET 19T-16T
1	308-297H	SSB CUP DRIVE SPROCKET 19T-25T
2	308-313D	SSB DRIVE IDLER PLATE
2	308-314D	SSB SPACER TUBE 1 OD X 1/4 LG
2	308-315D	SSB SPACER TUBE 1 OD X 0.856 L
4	308-316D	SSB SPACER TUBE 3/4 OD X 3/8 L
2	308-317D	WASHER FLAT 21/32 SQ X 1 1/2
4	802-079C	HHCS 3/8-16X1 1/4 GR5
4	802-159C	HHCS 5/16-18X1 GR5
4	802-190C	HHCS 5/16-18X3 1/2 GR5 FTHD
2	802-338C	RHSNB 5/8-11X3 GR5
1	802-370C	HHCS 1/4-20X1 3/4 GR5
1	803-007C	NUT LOCK 1/4-20 PLT
8	803-008C	NUT HEX 5/16-18 PLT
4	803-014C	NUT HEX 3/8-16 PLT
2	803-021C	NUT HEX 5/8-11 PLT
8	804-009C	WASHER LOCK SPRING 5/16 PLT
4	804-012C	WASHER FLAT 3/8 SAE PLT
4	804-013C	WASHER LOCK SPRING 3/8 PLT
2	804-022C	WASHER LOCK SPRING 5/8 PLT
1	809-093C	CHAIN RL #40 X 52 PITCHES
1	809-124C	CHAIN RL #40 X 70 PITCH W/CON
1	809-145C	CHAIN RL #40 X 78 PITCH W/CON

308-243L 15 Series Overseeder Small Seeds Chain Guard-Gauge Wheel Drive

Your Kit Includes:

Qty.	Part No.	Part Description
1	308-237V	SSB CHAIN GUARD GAUGE WHL DRV
1	308-242V	GUARD MOUNT STAKE W/LATCH
1	308-296D	GUARD MOUNT STAKE
4	802-196C	HFSS 1/4-20X5/8 GR5
4	803-006C	NUT HEX 1/4-20 PLT
4	804-006C	WASHER LOCK SPRING 1/4 PLT

308-244L 15 Series Overseeder Small Seeds Chain Guard-Rear Roller Drive

Your Kit Includes:

Qty.	Part No.	Part Description
1	308-238V	SSB CHAIN GUARD REAR ROLLR DRV
1	308-242V	GUARD MOUNT STAKE W/LATCH
1	308-296D	GUARD MOUNT STAKE
1	308-341D	GUARD MOUNT STAKE WIDE
6	802-196C	HFSS 1/4-20X5/8 GR5
6	803-006C	NUT HEX 1/4-20 PLT
6	804-006C	WASHER LOCK SPRING 1/4 PLT



Corporate Office: P.O. Box 5060
Salina, Kansas 67402-5060 USA
www.landpride.com
