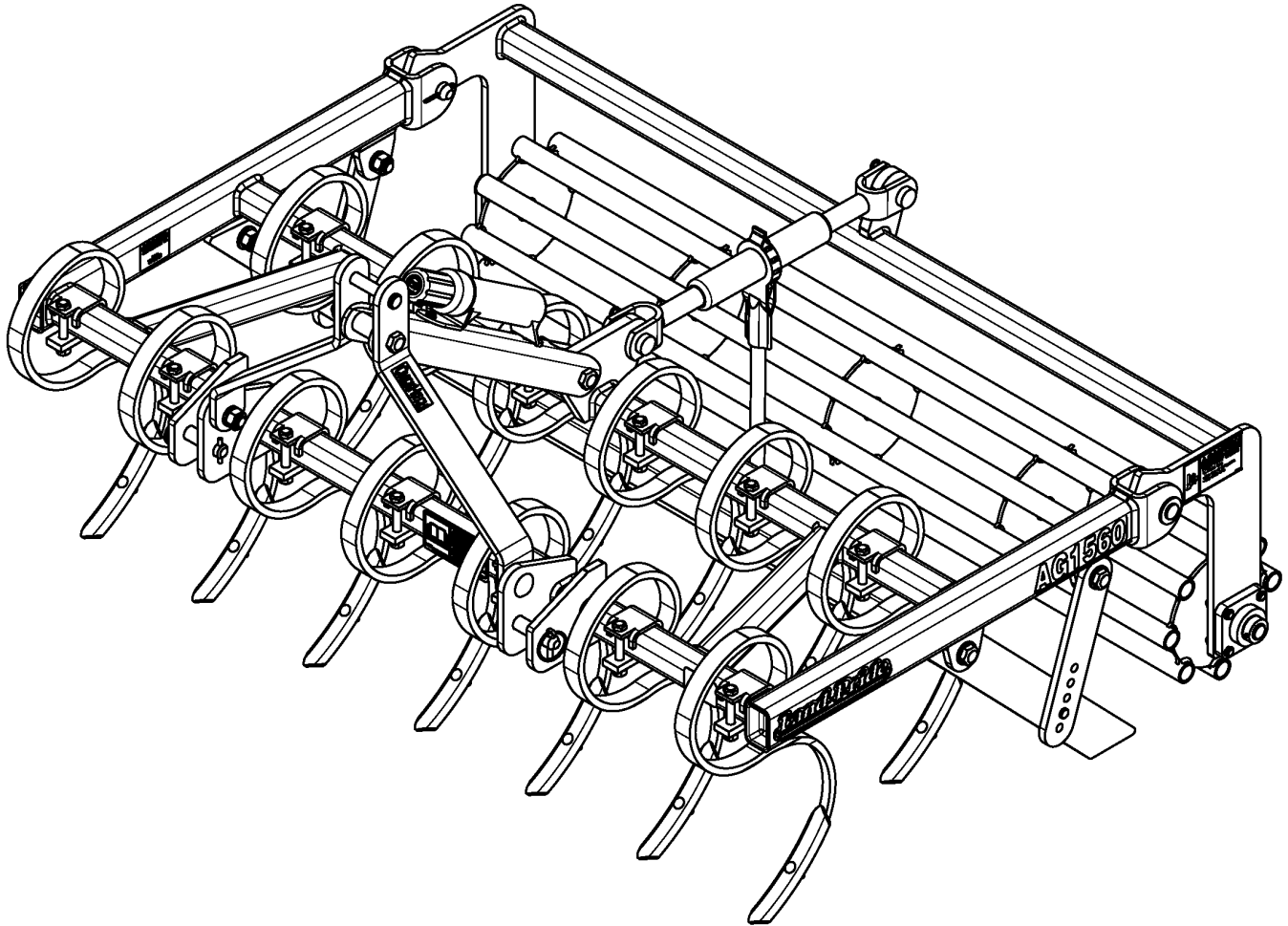


Arena Graders

AG1560, AG1572, & AG1584



72062

307-324P Parts Manual



Read the Operator's Manual entirely. When you see this symbol, the subsequent instructions and warnings are serious - follow without exception. Your life and the lives of others depend on it!

© Copyright 2019 Printed 03/12/19

Cover photo may show optional equipment not supplied with standard unit.





Table of Contents

Section 1: Introduction.....	4
Using This Manual.....	4
Manual Replacement Information.....	4
Manual Revisions.....	4
Touch-up Paint.....	4
Hardware Legend.....	5
Replacement Hardware.....	5
Serial Numbers.....	5
Part Number Service Coding.....	5
SECTION 2: COMPLETE ASSEMBLY.....	6
Mainframe and Hitch Assembly.....	6
Ratchet Jack Assembly.....	8
Rear Mesh Roller Assembly.....	10
Rear Pipe Roller Assembly.....	12
S-Tine Assembly - AG1560.....	14
S-Tine Assembly - AG1572.....	16
S-Tine Assembly - AG1584.....	18
SECTION 3: DECALS AND PAINT.....	20
Decal Placement.....	20
Land Pride Touch-up Paints.....	22
Part Number Index.....	24

© Copyright 2019. All rights reserved.

Land Pride provides this publication “as is” without warranty of any kind, either expressed or implied. While every precaution has been taken in the preparation of this manual, Land Pride assumes no responsibility for errors or omissions. Neither is any liability assumed for damages resulting from the use of the information contained herein. Land Pride reserves the right to revise and improve its products as it sees fit. This publication describes the state of this product at the time of its publication, and may not reflect the product in the future. The illustrations in this manual are not intended for safe and proper assembly or disassembly of equipment. The illustrations are intended for ordering parts only.

Land Pride is registered trademark.

All other brands and product names are trademarks or registered trademarks of their respective holders.

Printed in the United States of America.



Alphabetized Table of Contents

D	
Decal Placement.....	20
L	
Land Pride Touch-up Paints.....	22
M	
Mainframe and Hitch Assembly.....	6
R	
Ratchet Jack Assembly.....	8
Rear Mesh Roller Assembly.....	10
Rear Pipe Roller Assembly.....	12
S	
S-Tine Assembly - AG1560.....	14
S-Tine Assembly - AG1572.....	16
S-Tine Assembly - AG1584.....	18

General Information

Using This Manual

This manual is divided into sections. The first section contains General Information. The remaining sections divide the machine into segments (i.e. Frames, Drives, Hydraulics, etc.) which illustrate and list all parts. A Parts Number Index is located at the back of the book.

The Land Pride parts in this manual are specially designed for this machine and should be replaced with Land Pride parts only.

The information in this manual is current at time of printing. Some parts may change to assure top performance.

Right-hand and left-hand as used in this manual are determined by facing the direction the machine will travel while in use.

Below is an example of two facing pages from a parts manual. Familiarize yourself with the type of information contained on these pages.

Manual Replacement Information

Replacement manuals are available. Refer to our website at www.landpride.com or e-mail us at lit@landpride.com for additional information. Our website continues to provide the most up-to-date manuals available.

Touch-up Paint

Repaint parts where paint is worn or scratched to prevent rust. Aerosol cans and touch-up bottles with brush applicator are available through your local dealer. Also available are quart and gallon size paints. Add QT or GL to end of the Aerosol P/N.

Land Pride color descriptions and part numbers are listed on the "Land Pride Touch-up Paints" page in the "Decals" section of this book. Color options vary by product.



General Information

Hardware Legend

AR	As Required
BLADE	Blade Bolt
C	Cap Screw
CP	Cotter Pin
CPHSSS	Cup Point Hex Socket Set Screw
CPSHSS	Cup Point Square Head Set Screw
CPSQHSS	Cup Point Square Head Set Screw
CRFCHMS3	Cross Recess Flat Countersunk Head Machine Screw
CRPHMS	Cross Recess Pan Head Machine Screw
CRPHTF	Cross Recess Pan Head Thread Forming
CRRHMS	Cross Recess Round Head Machine Screw
CRTHMS	Cross Recess Truss Head Machine Screw
CSNB	Countersunk Square Neck Bolt
FHMS	Flat Head Machine Screw
FTC	Full Thread Cap Screw
H	Hex Nut
HCLN	Hex Center Lock Nut
HFLCS	Hex Flange Lock Cap Screw
HFS	Hex Flange Screw
HFSLN	Hex Flange Serrated Lock Nut
HFSS	Hex Flange Serrated Screw
HHCS	Hex Head Cap Screw or Metric Bolt
HSBHCS	Hex Socket Button Head Cap Screw
HSFCHCS	Hex Socket Flat Countersunk Head Cap Screw
HSHCS	Hex Socket Head Cap Screw
HSSS	Hex Socket Head Screw
HTLN	Hex Top Lock Nut
HWHCS	Hex Washer Head Cap Screw

HWHMS	Hex Washer Head Machine Screw
HXBHCS	Hex Socket Button Head Cap Screw
J	Hex Jam Nut
JIC	37 Degree Tapered Thread
L	Helical Spring Lock Washer
LUG	Lug Bolt
NFC	National Fine Cap Screw
NPSM	National Pipe Straight Mechanical
NPTF	National Pipe Taper Fuel
P	Wide Plain Washer
PHMS	Pan Head Machine Screw
PLOW	Plow Bolt
RHMS	Round Head Machine Screw
RHSNB	Round Head Square Neck Bolt
SCREW LEVELING	Leveling Screw
SCREW THUMB	Thumb Screw
SCREW WELD	Weld Screw
SFCHMS	Slotted Flat Countersunk Head Machine Screw
SFHMS	Slotted Fillister Head Machine Screw
SP	Special
SP SCREW	Special Screw
SOHSS	Square Head Set Screw
SRHMS	Slotted Round Head Machine Screw
SSS	Socket Set Screw
STCS	Self Tapping Cap Screw
STHMS	Slotted Truss Head Machine Screw
WHEEL	Wheel Studs and Hub Long Bolts
WING	Wing Bolt

Replacement Hardware

The **Hardware Legend** above lists hardware abbreviations used in the parts list. All bolts and nuts are Grade 5 unless otherwise noted. The use of improper grades of hardware can result in personal injury, damage to equipment, or loss of property.

Colored Replacement Parts

Land Pride offers replacement parts in factory standard colors and also on select models in Green, Orange, Red and Blue. Because of the variety of colors available, special attention must be given to the part number to prevent ordering the wrong replacement part.

A suffix number corresponding to one of the colors below must be added at the end of Land Pride's part number when ordering a replacement part with that color.

81 Green 83 Red
82 Orange 84 Blue

For example, if you are ordering a replacement part with part number 555-555C and the part you need is red, then add the suffix 83 to the end of the number to make the part number read 555-555C83. Parts ordered without a suffix number will be supplied in factory standard colors.

Black Replacement Parts

Some parts are factory standard black and some must be special ordered black. If your part is special ordered black, a second part number with the additional suffix number 85 on the end will be available. In this situation you must order that part with the suffix number for it to be black. Parts that are factory standard black will not have the suffix number.

Part Number Service Coding

Within the parts list some part numbers are coded for revisions and interchangeability. See notations in revision column.

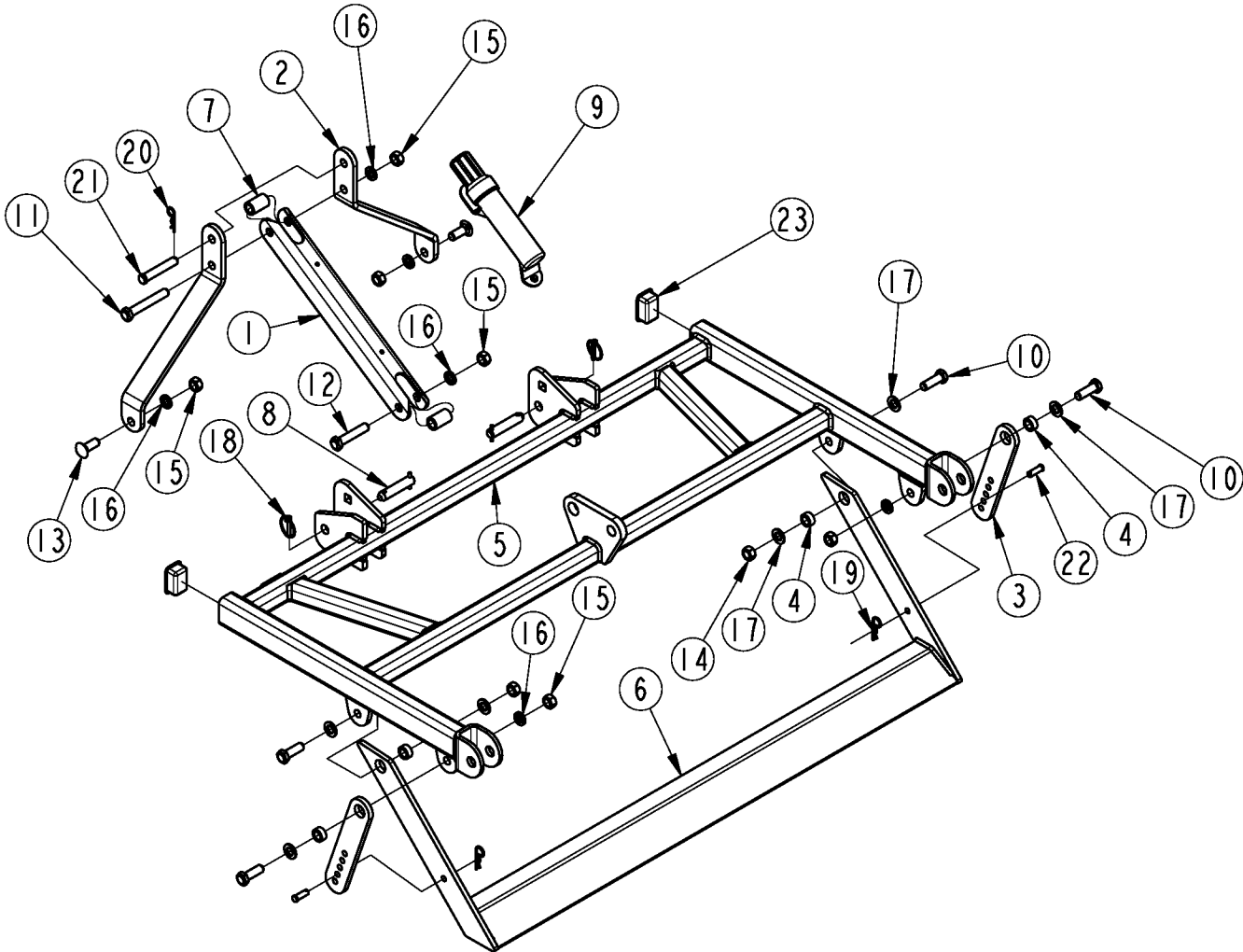
Serial Numbers

Always use the serial and model number when ordering parts. Refer to the Operator's Manual for serial number plate location.

- (S/N 20001+) Includes serial numbers 20001 and above (to the latest number)
- (S/N 10001 to 20000) Includes serial numbers between and including 10001 and 20000
- (S/N 10000-) Includes serial numbers 10000 and below (to the earliest number)

Mainframe and Hitch Assembly

Applies to AG1560, AG1572, AG1584



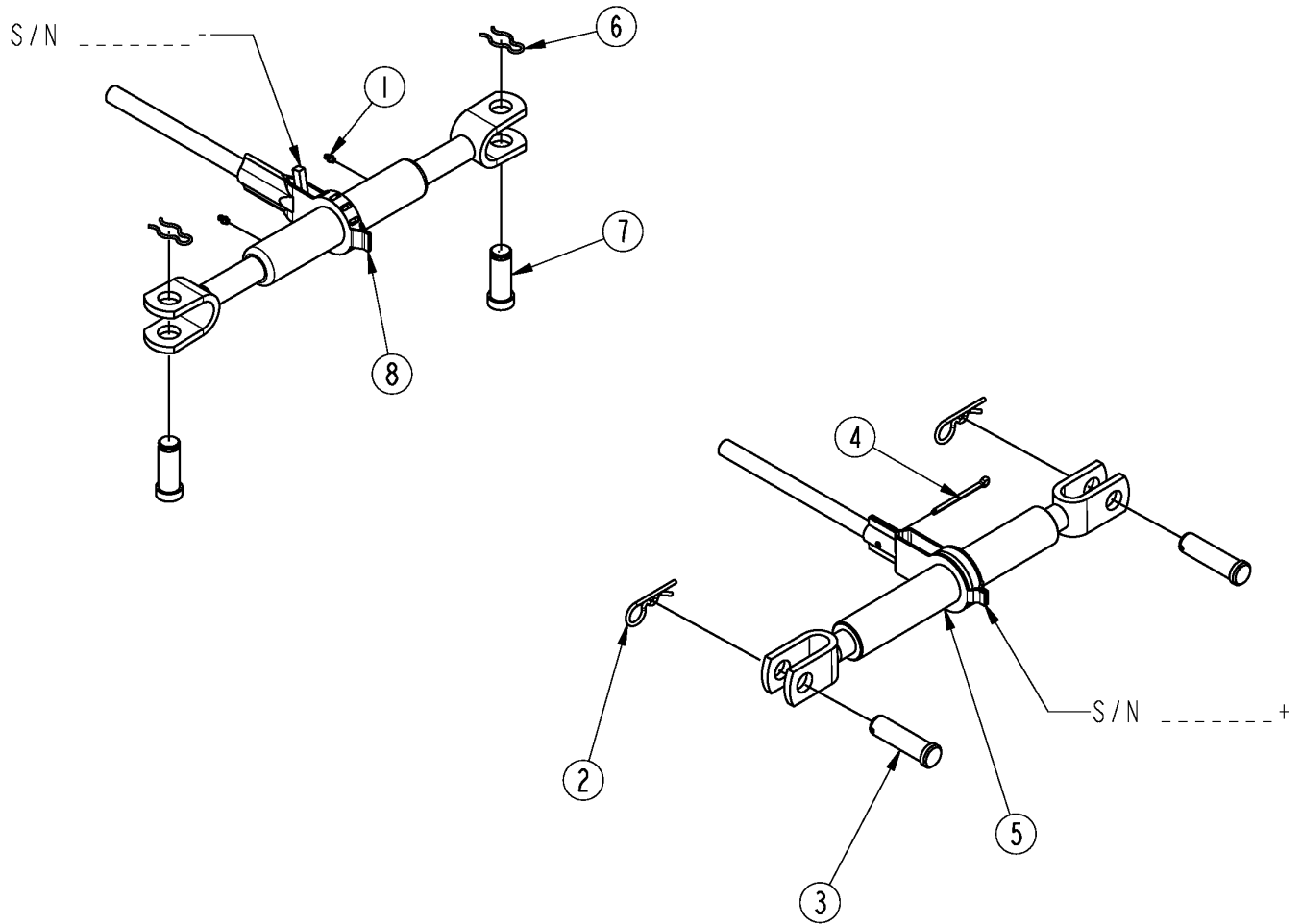
72065

Mainframe and Hitch Assembly**Applies to AG1560, AG1572, AG1584**

Ref	Part No.	Part Description	Comments	Revision
	dwg. 72065	Image No.		
1.	307-286D	UPPER HITCH BRACE		
2.	307-288D	AG15 SERIES 3PT UPRIGHT		
3.	307-293D	LEVELER ADJUSTMENT LINK		
4.	307-297D	BUSHING 1 1/4OD X .81ID X .56		
5.	307-310H	AG1560 FRAME		
5.	307-302H	AG1572 FRAME		
5.	307-311H	AG1584 FRAME		
6.	307-312H	AG1560 LEVELER		
6.	307-304H	AG1572 LEVELER		
6.	307-313H	AG1584 LEVELER		
7.	308-400D	SPACER 1 1/4OD X 13/16ID X 2LG		
8.	310-020S	LOWER HITCH PIN		
9.	326-095S	MANUAL CONTAINER KIT, 1 1/4		
10.	802-065C	HHCS 3/4-10X2 1/4 GR5		
11.	802-069C	HHCS 3/4-10X5 GR5		
12.	802-204C	HHCS 3/4-10X3 3/4 GR5		
13.	802-910C	RHSNB 3/4-10X2 GR5 PLT		
14.	803-026C	NUT LOCK 3/4-10 PLT		
15.	803-027C	NUT HEX 3/4-10 PLT		
16.	804-023C	WASHER LOCK SPRING 3/4 PLT		
17.	804-025C	WASHER FLAT 3/4 SAE PLT		
18.	805-015C	PIN LINCH 5/16 X 1 3/4		
19.	805-032C	PIN HAIR COTTER .148 WIRE		
20.	805-143C	PIN HAIR COTTER .120 PLT		
21.	805-228C	PIN CLVS .75X3.94 USBL		
22.	805-551C	PIN CLEVIS 1/2 X 1 1/4 PLT		
23.	817-387C	PLASTIC END CAP 3X2X3/16 WL TB		

Ratchet Jack Assembly

Applies to AG1560, AG1572, AG1584



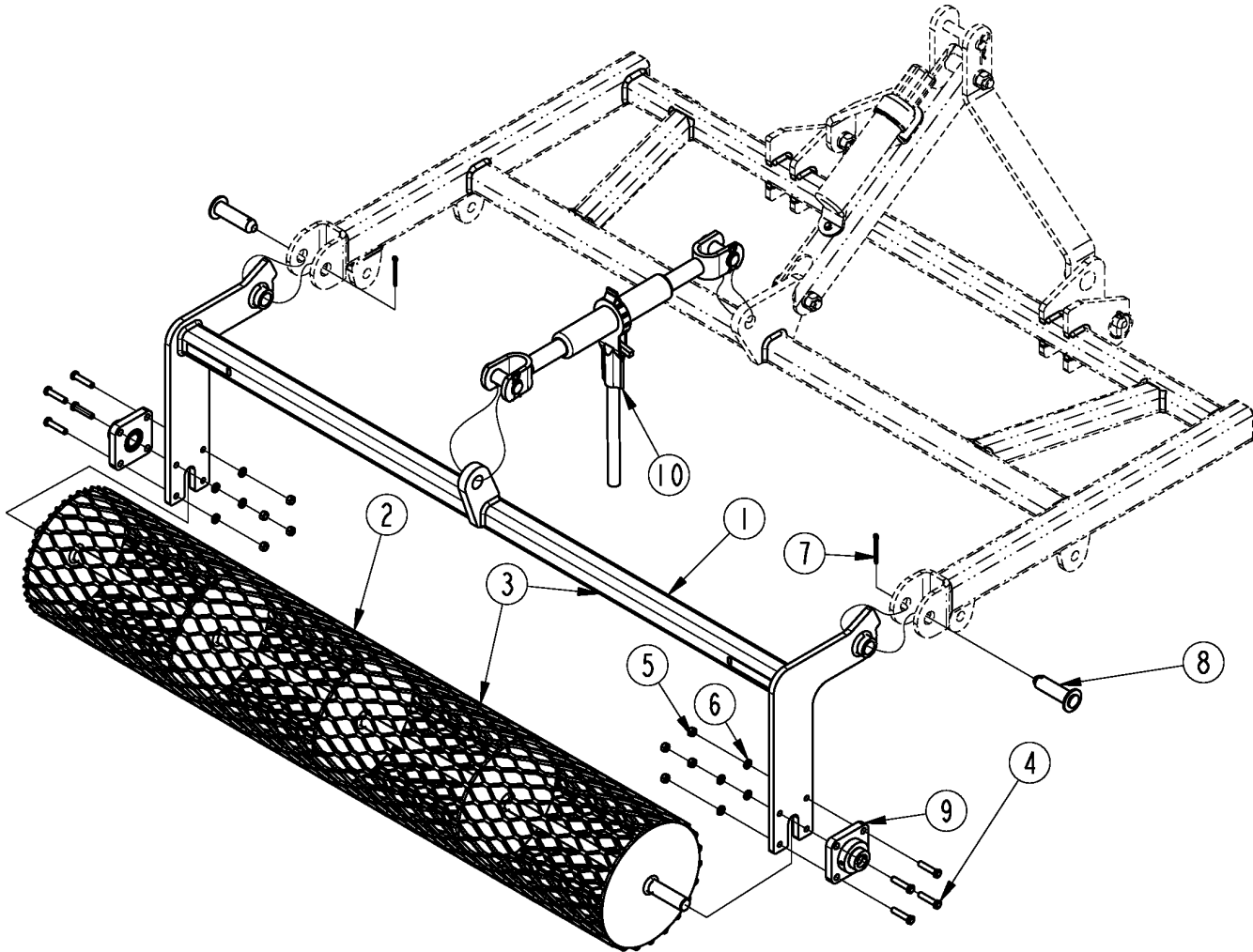
72068

Ratchet Jack Assembly**Applies to AG1560, AG1572, AG1584**

Ref	Part No.	Part Description	Comments	Revision
	Dwg 72068	Image No.		
1.	800-080C	GREASE ZERK 1/4-28 THD FORMING		
2.	805-088C	3/16 HAIR PIN COTTER		
3.	805-090C	PIN CLVS 1.0X3.20 USBL		
4.	805-115C	PIN COTTER 1/4 X 3 PLT		
5.	890-177C	RATCHET JACK 16.25 - 22.25	S/N _____ +	
6.	805-088C	3/16 HAIR PIN COTTER		
7.	805-090C	PIN CLVS 1.0X3.20 USBL		
8.	890-637C	RATCHET JACK 16.25 - 22.25	S/N _____ -	

Rear Mesh Roller Assembly

Applies to AG1560, AG1572, AG1584



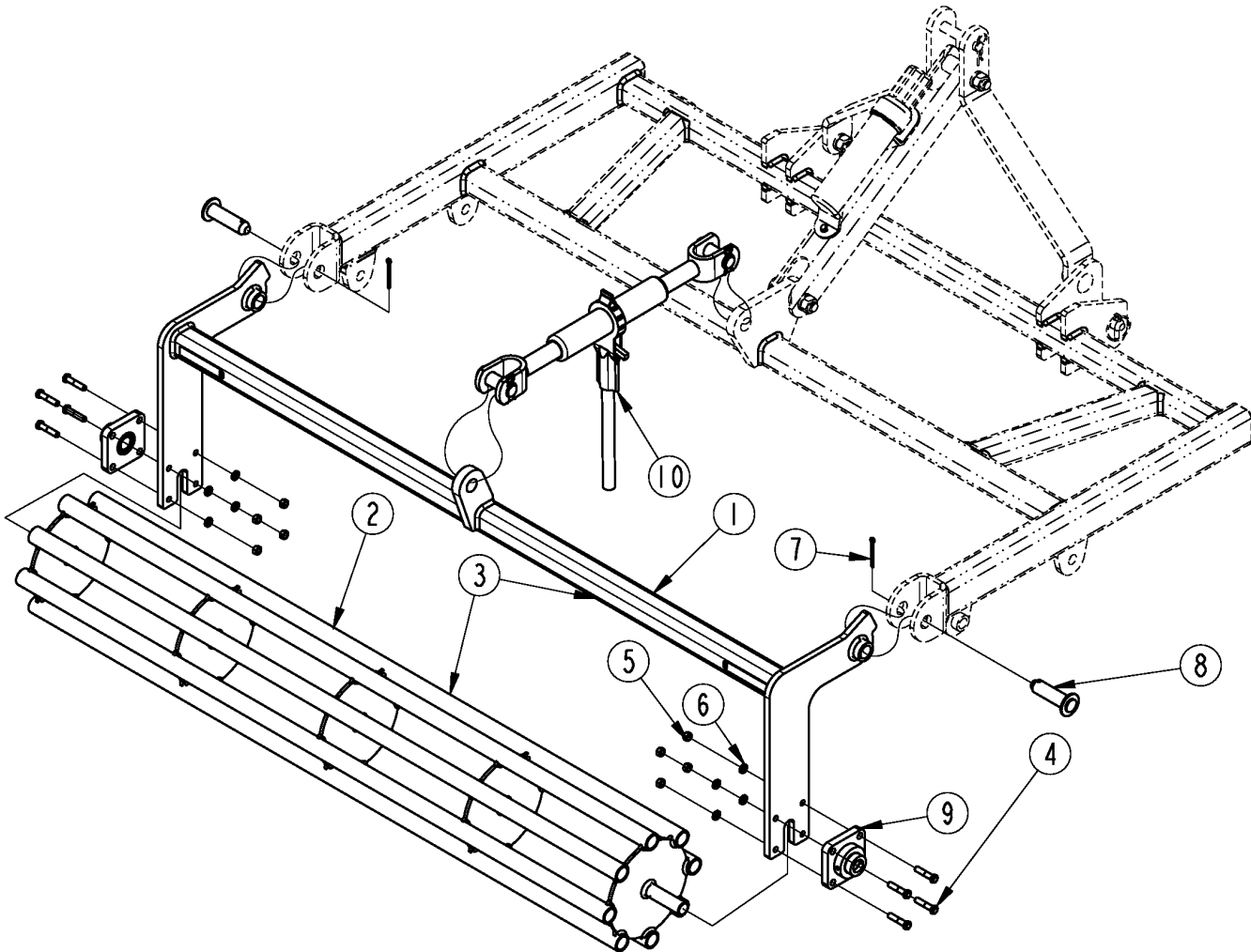
72069

Rear Mesh Roller Assembly**Applies to AG1560, AG1572, AG1584**

Ref	Part No.	Part Description	Comments	Revision
	dwg. 72069	Image No.		
1.	307-322H	AG1560 ROLLER MOUNT	AG1560	
1.	307-307H	AG1572 ROLLER MOUNT	AG1572	
1.	307-323H	AG1584 ROLLER MOUNT	AG1584	
2.	307-325H	WLDMNT, 60" MESH ROLLER	AG1560	
2.	307-309H	WLDMNT, 72" MESH ROLLER	AG1572	
2.	307-326H	WLDMNT, 84" MESH ROLLER	AG1584	
3.	307-328A	60" MESH ROLLER	AG1560	
3.	307-330A	72" MESH ROLLER	AG1572	
3.	307-332A	84" MESH ROLLER	AG1584	
4.	802-023C	HHCS 3/8-16X1 3/4 GR5		
5.	803-014C	NUT HEX 3/8-16 PLT		
6.	804-013C	WASHER LOCK SPRING 3/8 PLT		
7.	805-058C	PIN COTTER 3/16 X 2		
8.	805-498C	PIN CLEVIS 1 X 3 USABLE		
9.	822-085C	BRG FLG 1.00ID 4BOLT		
10.	890-177C	RATCHET JACK 16.25 - 22.25	S/N _____+	
10.	890-637C	RATCHET JACK 16.25 - 22.25	S/N _____-	

Rear Pipe Roller Assembly

Applies to AG1560, AG1572, AG1584



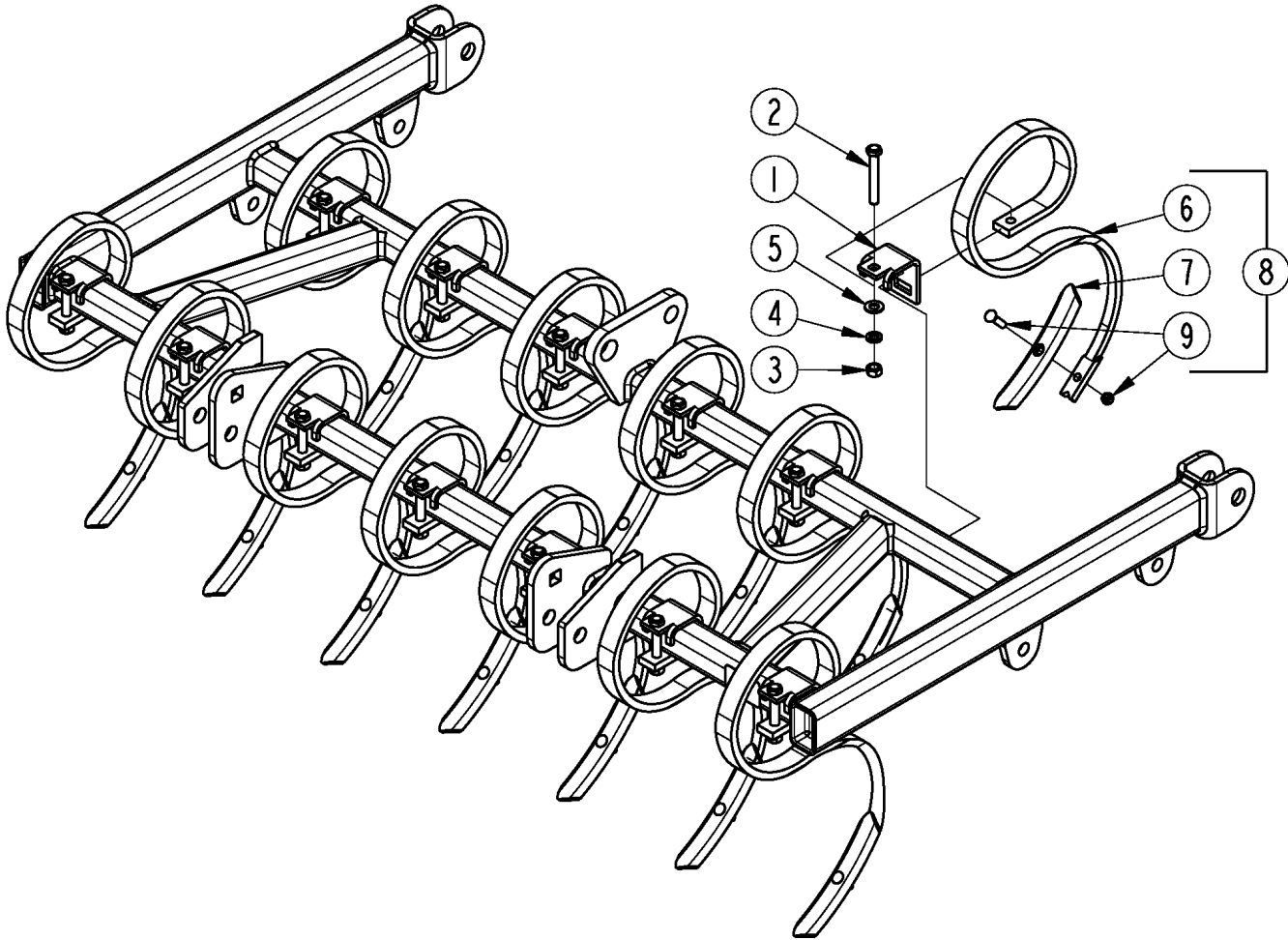
72070

Rear Pipe Roller Assembly**Applies to AG1560, AG1572, AG1584**

Ref	Part No.	Part Description	Comments	Revision
	dwg. 72070	Image No.		
1.	307-322H	AG1560 ROLLER MOUNT	AG1560	
1.	307-307H	AG1572 ROLLER MOUNT	AG1572	
1.	307-323H	AG1584 ROLLER MOUNT	AG1584	
2.	307-316H	AG1560 ROLLER BASKET	AG1560	
2.	307-303H	AG1572 ROLLER BASKET	AG1572	
2.	307-317H	AG1584 ROLLER BASKET	AG1584	
3.	307-327A	60" PIPE ROLLER	AG1560	
3.	307-329A	72" PIPE ROLLER	AG1572	
3.	307-331A	84" PIPE ROLLER	AG1584	
4.	802-023C	HHCS 3/8-16X1 3/4 GR5		
5.	803-014C	NUT HEX 3/8-16 PLT		
6.	804-013C	WASHER LOCK SPRING 3/8 PLT		
7.	805-058C	PIN COTTER 3/16 X 2		
8.	805-498C	PIN CLEVIS 1 X 3 USABLE		
9.	822-085C	BRG FLG 1.00ID 4BOLT		
10.	890-177C	RATCHET JACK 16.25 - 22.25	S/N _____+	
10.	890-637C	RATCHET JACK 16.25 - 22.25	S/N _____-	

S-Tine Assembly - AG1560

Applies to AG1560



72072

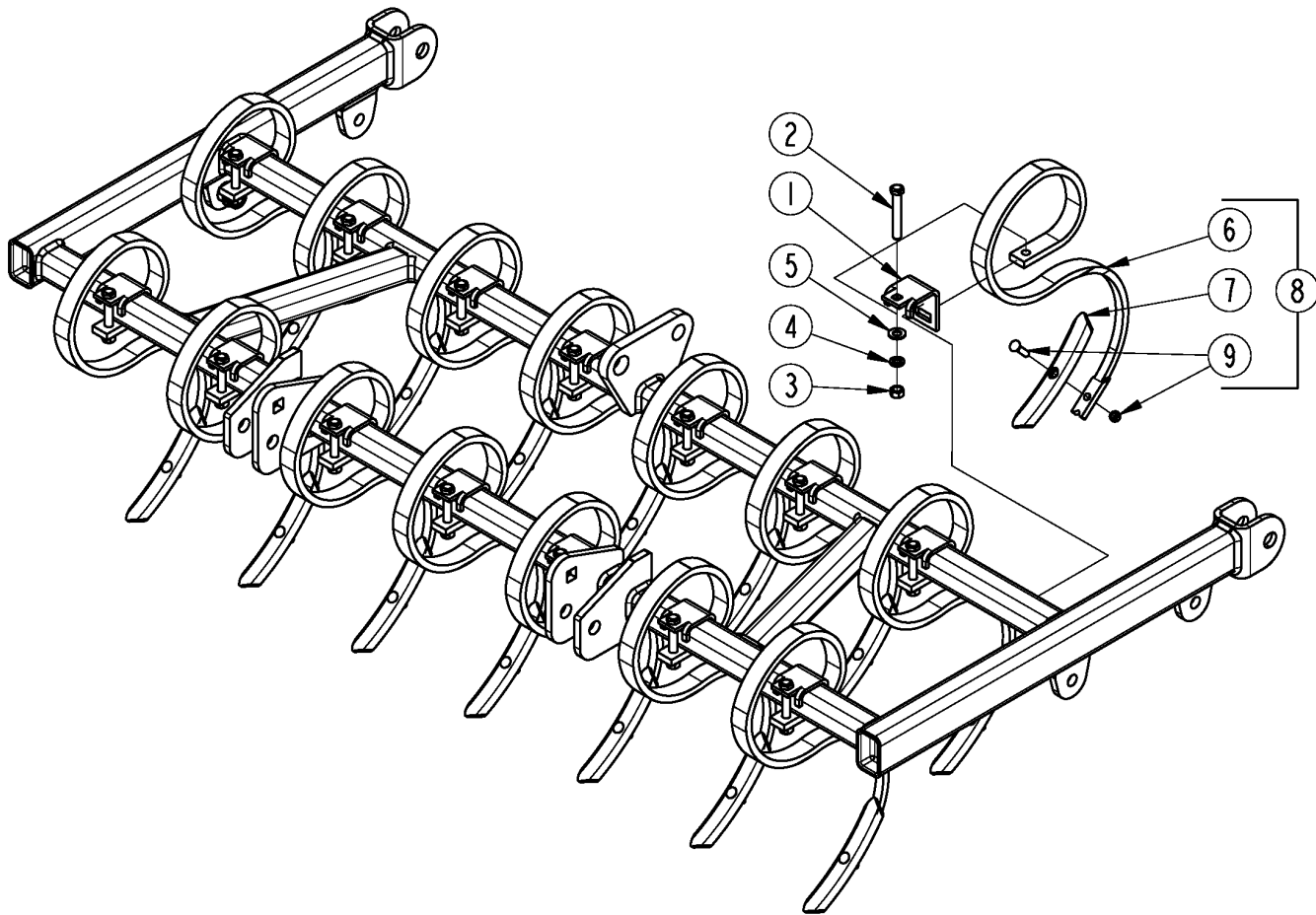
S-Tine Assembly - AG1560

Applies to AG1560

Ref	Part No.	Part Description	Comments	Revision
	dwg. 72072	Image No.		
1.	149-526D	DANISH TINE CLAMP		
2.	802-041C	HHCS 1/2-13X3 1/2 GR5		
3.	803-020C	NUT HEX 1/2-13 PLT		
4.	804-015C	WASHER LOCK SPRING 1/2 PLT		
5.	804-016C	WASHER FLAT 1/2 SAE PLT		
6.	820-602C	S-TINE SHANK		
7.	820-604C	S-TINE POINT		
8.	820-653C	S-TINE AND TIP ASY		
9.	891-662C	10M PLOW BOLT AND NUT		

S-Tine Assembly - AG1572

Applies to AG1572



72073

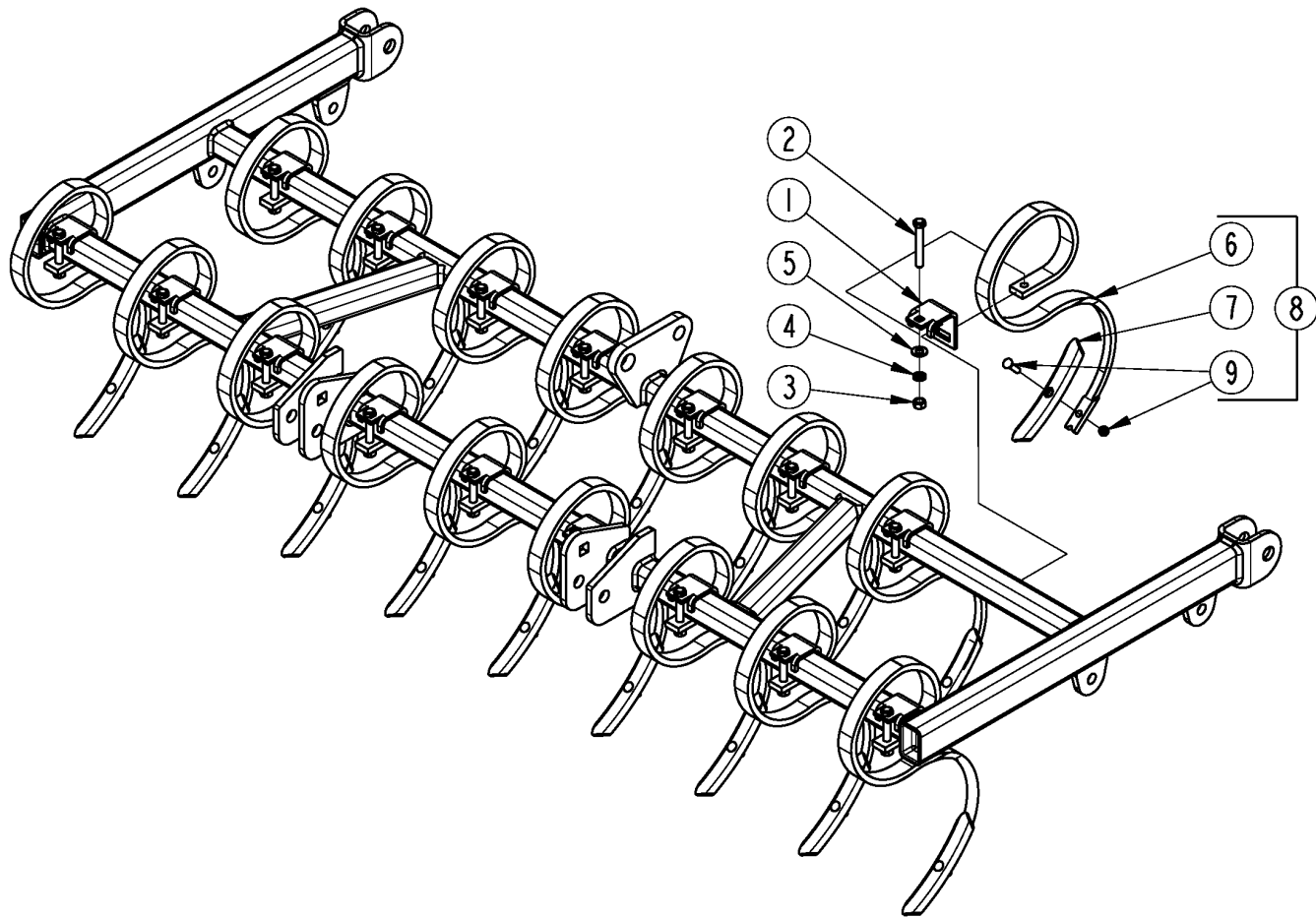
S-Tine Assembly - AG1572

Applies to AG1572

Ref	Part No.	Part Description	Comments	Revision
	dwg. 72073	Image No.		
1.	149-526D	DANISH TINE CLAMP		
2.	802-041C	HHCS 1/2-13X3 1/2 GR5		
3.	803-020C	NUT HEX 1/2-13 PLT		
4.	804-015C	WASHER LOCK SPRING 1/2 PLT		
5.	804-016C	WASHER FLAT 1/2 SAE PLT		
6.	820-602C	S-TINE SHANK		
7.	820-604C	S-TINE POINT		
8.	820-653C	S-TINE AND TIP ASY		
9.	891-662C	10M PLOW BOLT AND NUT		

S-Tine Assembly - AG1584

Applies to AG1584



72075

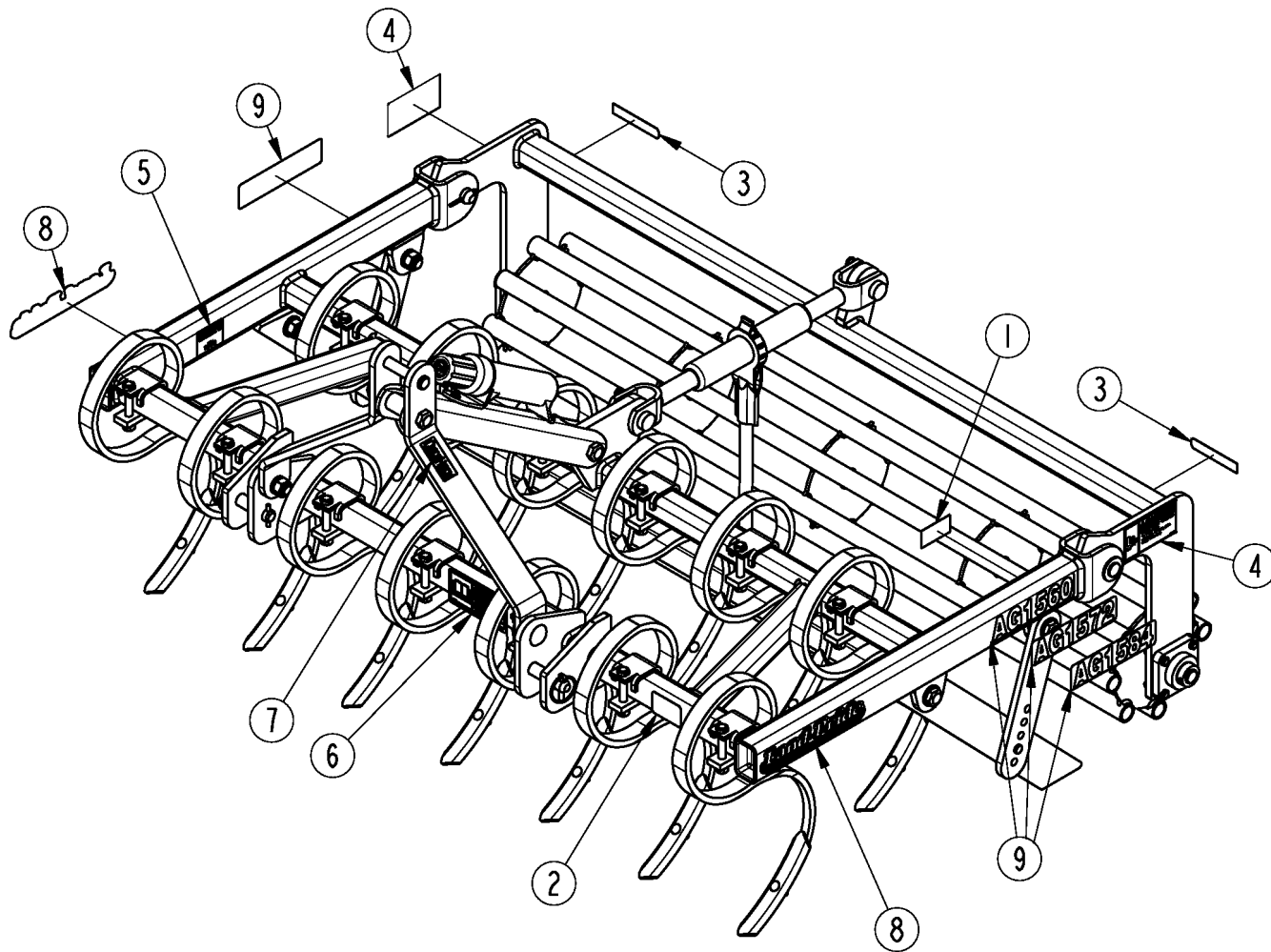
S-Tine Assembly - AG1584

Applies to AG1584

Ref	Part No.	Part Description	Comments	Revision
	dwg. 72075	Image No.		
1.	149-526D	DANISH TINE CLAMP		
2.	802-041C	HHCS 1/2-13X3 1/2 GR5		
3.	803-020C	NUT HEX 1/2-13 PLT		
4.	804-015C	WASHER LOCK SPRING 1/2 PLT		
5.	804-016C	WASHER FLAT 1/2 SAE PLT		
6.	820-602C	S-TINE SHANK		
7.	820-604C	S-TINE POINT		
8.	820-653C	S-TINE AND TIP ASY		
9.	891-662C	10M PLOW BOLT AND NUT		

Decal Placement

Applies to AG1560, AG1572, AG1584



72076

Decal Placement

Applies to AG1560, AG1572, AG1584

Ref	Part No.	Part Description	Comments	Revision
	dwg. 72076	Image No.		
1.	818-190C	DECAL FLAG		
2.	818-229C	DECAL AMBER REFLECTOR		
3.	818-335C	DECAL RED NARROW REFLECTOR		
4.	818-866C	DECAL CAUTION PINCH POINT HAZ.		
5.	819-036C	I.D. PLATE - LAND PRIDE		
6.	838-293C	DECAL WARNING READ MANUAL		
7.	838-517C	DECAL QUICK HITCH SYSTEM		
8.	848-159C	DECAL LANDPRIDE 10" BROWN/GOLD		
9.	858-968C	DECAL AG1560 - GOLD		
9.	858-969C	DECAL AG1572 - GOLD		
9.	858-970C	DECAL AG1584 - GOLD		

Land Pride Touch-up Paints

Applies to AG1560, AG1572, AG1584

No diagram associated with this Parts List

Land Pride Touch-up Paints**Applies to AG1560, AG1572, AG1584**

Ref	Part No.	Part Description	Comments	Revision
1.	821-011C	LP BEIGE SPRAY CAN	Spray can	
1.	821-011CTU	LP BEIGE TOUCH-UP 5OZ	Touch-up bottle with brush	
1.	821-011CQT	LP BEIGE QUART	Quart can	
1.	821-011CGL	LP BEIGE GALLON	Gallon can	
2.	821-070C	GLOSS BLACK SPRAY CAN	Spray can	
2.	821-070CTU	GLOSS BLACK TOUCH-UP 5OZ	Touch-up bottle with brush	
2.	821-070CQT	GLOSS BLACK QUART	Quart can	
2.	821-070CGL	GLOSS BLACK GALLON	Gallon can	
3.	821-054C	MED. RED SPRAY TRCK/CTR	Spray can	
3.	821-054CTU	MED RED TOUCH-UP 5OZ	Touch-up bottle with brush	
3.	821-054CQT	MED RED QUART	Quart can	
3.	821-054CGL	MED RED GALLON	Gallon can	
4.	821-058C	GREEN SPRAY CUTTERS	Spray can	
4.	821-058CTU	GREEN TOUCH-UP 5OZ	Touch-up bottle with brush	
4.	821-058CQT	GREEN QUART	Quart can	
4.	821-058CGL	GREEN GALLON	Gallon can	
5.	821-066C	ORANGE SPRAY CAN	Spray can	
5.	821-066CTU	ORANGE TOUCH-UP 5OZ	Touch-up bottle with brush	
5.	821-066CQT	ORANGE QUART	Quart can	
5.	821-066CGL	ORANGE GALLON	Gallon can	
6.	821-067C	BLUE SPRAY CAN	Spray can	
6.	821-067CTU	BLUE TOUCH-UP 5OZ	Touch-up bottle with brush	
6.	821-067CQT	BLUE QUART	Quart can	
6.	821-067CGL	BLUE GALLON	Gallon can	
7.	821-080C	PAINT ALUMINUM/ZINC SPRAY CAN	Spray can	
7.	821-080CTU	PAINT ALUMINUM/ZINC TOUCH UP	Touch-up bottle with brush	
7.	821-080CQT	PAINT ALUMINUM/ZINC QUART	Quart can	
7.	821-080CGL	PAINT ALUMINUM/ZINC GALLON	Gallon can	



Part Number Index

The Part Number Index is a numeric index of all part numbers included in this manual. The index shows what page(s) the part is used on.

Part Number	Page	Part Number	Page
149-526D	15, 17, 19	821-054CQT	23
307-286D	7	821-054CTU	23
307-288D	7	821-058C	23
307-293D	7	821-058CGL	23
307-297D	7	821-058CQT	23
307-302H	7	821-058CTU	23
307-303H	13	821-066C	23
307-304H	7	821-066CGL	23
307-307H	11, 13	821-066CQT	23
307-309H	11	821-066CTU	23
307-310H	7	821-067C	23
307-311H	7	821-067CGL	23
307-312H	7	821-067CQT	23
307-313H	7	821-067CTU	23
307-316H	13	821-070C	23
307-317H	13	821-070CGL	23
307-322H	11, 13	821-070CQT	23
307-323H	11, 13	821-070CTU	23
307-325H	11	821-080C	23
307-326H	11	821-080CGL	23
307-327A	13	821-080CQT	23
307-328A	11	821-080CTU	23
307-329A	13	822-085C	11, 13
307-330A	11	838-293C	21
307-331A	13	838-517C	21
307-332A	11	848-159C	21
308-400D	7	858-968C	21
310-020S	7	858-969C	21
326-095S	7	858-970C	21
800-080C	9	890-177C	9, 11, 13
802-023C	11, 13	890-637C	9, 11, 13
802-041C	15, 17, 19	891-662C	15, 17, 19
802-065C	7	Dwg 72068	9
802-069C	7	dwg. 72065	7
802-204C	7	dwg. 72069	11
802-910C	7	dwg. 72070	13
803-014C	11, 13	dwg. 72072	15
803-020C	15, 17, 19	dwg. 72073	17
803-026C	7	dwg. 72075	19
803-027C	7	dwg. 72076	21
804-013C	11, 13		
804-015C	15, 17, 19		
804-016C	15, 17, 19		
804-023C	7		
804-025C	7		
805-015C	7		
805-032C	7		
805-058C	11, 13		
805-088C	9		
805-090C	9		
805-115C	9		
805-143C	7		
805-228C	7		
805-498C	11, 13		
805-551C	7		
817-387C	7		
818-190C	21		
818-229C	21		
818-335C	21		
818-866C	21		
819-036C	21		
820-602C	15, 17, 19		
820-604C	15, 17, 19		
820-653C	15, 17, 19		
821-011C	23		
821-011CGL	23		
821-011CQT	23		
821-011CTU	23		
821-054C	23		
821-054CGL	23		

This Page Intentionally Left Blank



Great Plains Manufacturing, Inc.

Corporate Office: P.O. Box 5060
Salina, Kansas 67402-5060 USA

www.landpride.com
