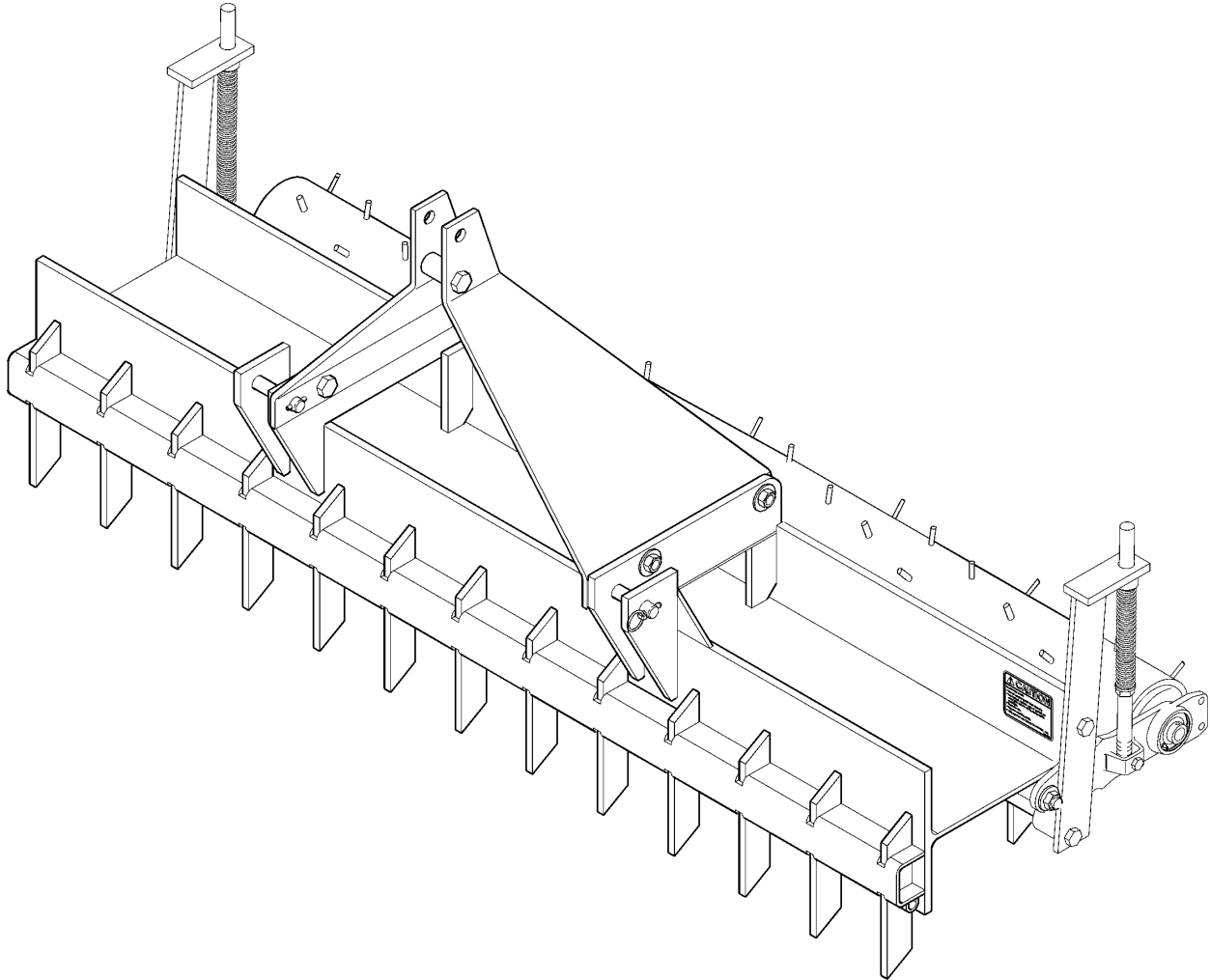


Soil Pulverizer

SP15, SP20, SP25 & SP30



15650

307-099P **Parts Manual**



Read the Operator's Manual entirely. When you see this symbol, the subsequent instructions and warnings are serious - follow without exception. Your life and the lives of others depend on it!

© Copyright 2018 Printed 07/10/18

Cover photo may show optional equipment not supplied with standard unit.





Table of Contents

Section 1: Introduction.....4
 Using This Manual.....4
 Manual Replacement Information.....4
 Manual Revisions.....4
 Touch-up Paint.....4
 Hardware Legend.....5
 Replacement Hardware.....5
 Serial Numbers.....5
 Part Number Service Coding.....5

SP15 SERIES

Section 2: Frames.....6
 Frame And Hitch S/N 191836-.....6
Section 3: Rollers.....8
 Cast Wheel Roller.....8
 Single Roller.....10
Section 4: Decals.....12
 Decal Placement.....12
 Land Pride Touch-up Paints.....14

SP20 SERIES

Section 2: Frames.....16
 Frame And Hitch S/N 191837 to 645117.....16
 Frame and Hitch S/N 645118+.....18
Section 3: Rollers.....20
 Single Roller (S/N 695422-).....20
 SP20 Single Roller (S/N 695423+).....22
Section 4: Decals.....24
 Decal Placement.....24
 Land Pride Touch-up Paints.....26

SP25 SERIES

Section 2: Frames.....28
 Frame And Hitch S/N 191836-.....28
Section 3: Rollers.....30
 Cast Wheel Roller.....30
 Dual Roller (Part 1).....32
 Single Roller.....34
Section 4: Decals.....36
 Decal Placement.....36
 Land Pride Touch-up Paints.....38
Section 5: Options.....40
 Dual Roller (Part 2).....40

SP30 SERIES

Section 2: Frames.....42
 Frame And Hitch S/N 191837 to 645117.....42

Frame and Hitch S/N 645118+.....44
Section 3: Rollers.....46
 Dual Roller (S/N 254299-).....46
 Dual Roller (S/N 254300 to 695422).....48
 Dual Roller S/N 695423+.....50
 Single Roller (S/N 695422-).....52
 SP30 Single Roller (S/N 695423+).....54
Section 4: Decals.....56
 Decal Placement.....56
 Land Pride Touch-up Paints.....58
Section 5: Options.....60
 Optional Add On Roller (S/N 254299-).....60
 Optional Add On Roller (S/N 254300 to 695422).....62

Part Number Index.....64

© Copyright 2018. All rights reserved.

Land Pride provides this publication "as is" without warranty of any kind, either expressed or implied. While every precaution has been taken in the preparation of this manual, Land Pride assumes no responsibility for errors or omissions. Neither is any liability assumed for damages resulting from the use of the information contained herein. Land Pride reserves the right to revise and improve its products as it sees fit. This publication describes the state of this product at the time of its publication, and may not reflect the product in the future. The illustrations in this manual are not intended for safe and proper assembly or disassembly of equipment. The illustrations are intended for ordering parts only.

Land Pride is registered trademark.

All other brands and product names are trademarks or registered trademarks of their respective holders.

Printed in the United States of America.



Alphabetized Table of Contents

SP15 SERIES

C	Cast Wheel Roller.....	8
D	Decal Placement.....	12
F	Frame And Hitch S/N 191836-.....	6
L	Land Pride Touch-up Paints.....	14
S	Single Roller.....	10

SP20 SERIES

D	Decal Placement.....	24
F	Frame And Hitch S/N 191837 to 645117.....	16
	Frame and Hitch S/N 645118+.....	18
L	Land Pride Touch-up Paints.....	26
S	Single Roller (S/N 695422-).....	20
	SP20 Single Roller (S/N 695423+).....	22

SP25 SERIES

C	Cast Wheel Roller.....	30
D	Decal Placement.....	36
	Dual Roller (Part 1).....	32
	Dual Roller (Part 2).....	40
F	Frame And Hitch S/N 191836-.....	28
L	Land Pride Touch-up Paints.....	38
S	Single Roller.....	34

SP30 SERIES

D	Decal Placement.....	56
	Dual Roller (S/N 254299-).....	46
	Dual Roller (S/N 254300 to 695422).....	48
	Dual Roller S/N 695423+.....	50
F	Frame And Hitch S/N 191837 to 645117.....	42
	Frame and Hitch S/N 645118+.....	44
L	Land Pride Touch-up Paints.....	58
O	Optional Add On Roller (S/N 254299-).....	60
	Optional Add On Roller (S/N 254300 to 695422).....	62
S	Single Roller (S/N 695422-).....	52
	SP30 Single Roller (S/N 695423+).....	54

General Information

Using This Manual

This manual is divided into sections. The first section contains General Information. The remaining sections divide the machine into segments (i.e. Frames, Drives, Hydraulics, etc.) which illustrate and list all parts. A Parts Number Index is located at the back of the book.

The Land Pride parts in this manual are specially designed for this machine and should be replaced with Land Pride parts only.

The information in this manual is current at time of printing. Some parts may change to assure top performance.

Right-hand and left-hand as used in this manual are determined by facing the direction the machine will travel while in use.

Below is an example of two facing pages from a parts manual. Familiarize yourself with the type of information contained on these pages.

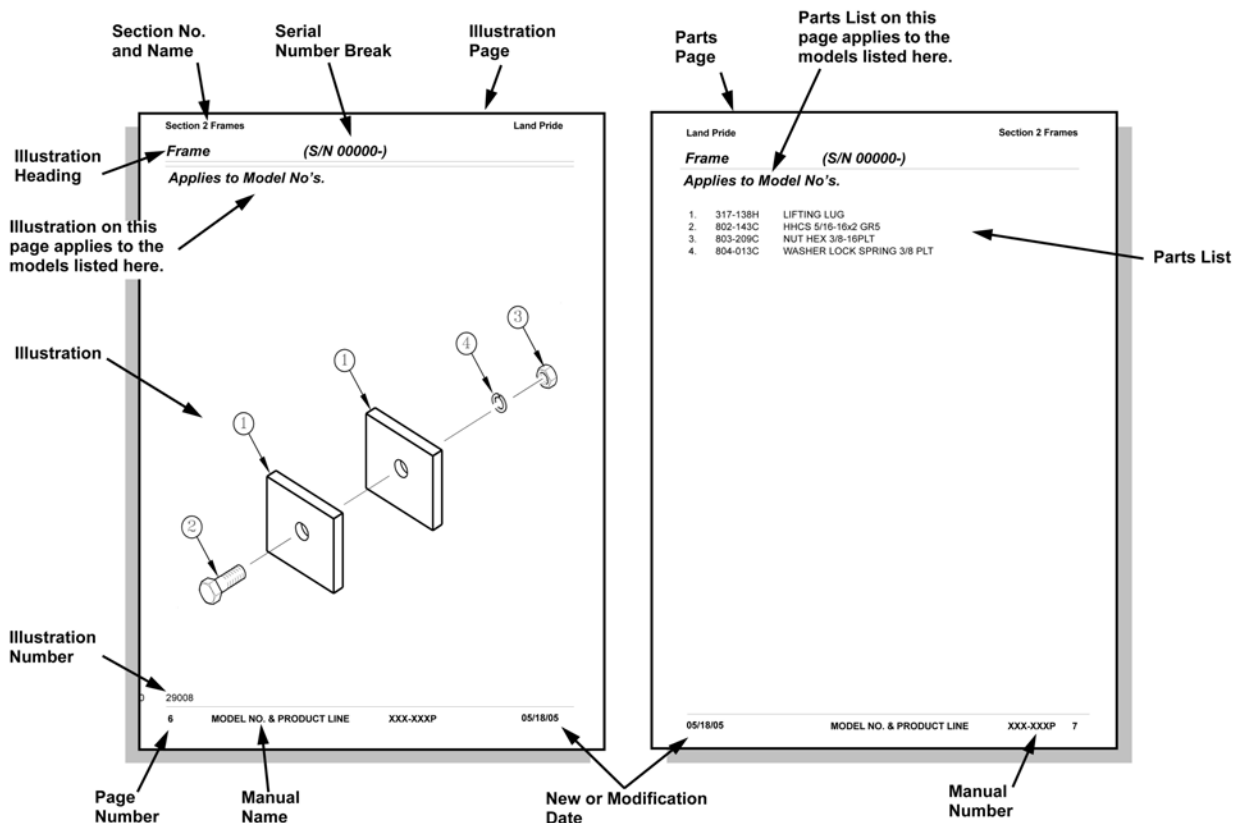
Manual Replacement Information

Replacement manuals are available. Refer to our website at www.landpride.com or e-mail us at lit@landpride.com for additional information. Our website continues to provide the most up-to-date manuals available.

Touch-up Paint

Repaint parts where paint is worn or scratched to prevent rust. Aerosol cans and touch-up bottles with brush applicator are available through your local dealer. Also available are quart and gallon size paints. Add QT or GL to end of the Aerosol P/N.

Land Pride color descriptions and part numbers are listed on the "Land Pride Touch-up Paints" page in the "Decals" section of this book. Color options vary by product.



General Information

Hardware Legend

AR	As Required
BLADE	Blade Bolt
C	Cap Screw
CP	Cotter Pin
CPHSSS	Cup Point Hex Socket Set Screw
CPSHSS	Cup Point Square Head Set Screw
CPSQHSS	Cup Point Square Head Set Screw
CRFCHMS3	Cross Recess Flat Countersunk Head Machine Screw
CRPHMS	Cross Recess Pan Head Machine Screw
CRPHTF	Cross Recess Pan Head Thread Forming
CRRHMS	Cross Recess Round Head Machine Screw
CRTHMS	Cross Recess Truss Head Machine Screw
CSNB	Countersunk Square Neck Bolt
FHMS	Flat Head Machine Screw
FTC	Full Thread Cap Screw
H	Hex Nut
HCLN	Hex Center Lock Nut
HFLCS	Hex Flange Lock Cap Screw
HFS	Hex Flange Screw
HFSLN	Hex Flange Serrated Lock Nut
HFSS	Hex Flange Serrated Screw
HHCS	Hex Head Cap Screw or Metric Bolt
HSBHCS	Hex Socket Button Head Cap Screw
HSFCHCS	Hex Socket Flat Countersunk Head Cap Screw
HSHCS	Hex Socket Head Cap Screw
HSSS	Hex Socket Head Screw
HTLN	Hex Top Lock Nut
HWHCS	Hex Washer Head Cap Screw

HWHMS	Hex Washer Head Machine Screw
HXBHCS	Hex Socket Button Head Cap Screw
J	Hex Jam Nut
JIC	37 Degree Tapered Thread
L	Helical Spring Lock Washer
LUG	Lug Bolt
NFC	National Fine Cap Screw
NPSM	National Pipe Straight Mechanical
NPTF	National Pipe Taper Fuel
P	Wide Plain Washer
PHMS	Pan Head Machine Screw
PLOW	Plow Bolt
RHMS	Round Head Machine Screw
RHSNB	Round Head Square Neck Bolt
SCREW LEVELING	Leveling Screw
SCREW THUMB	Thumb Screw
SCREW WELD	Weld Screw
SFCHMS	Slotted Flat Countersunk Head Machine Screw
SFHMS	Slotted Fillister Head Machine Screw
SP	Special
SP SCREW	Special Screw
SOHSS	Square Head Set Screw
SRHMS	Slotted Round Head Machine Screw
SSS	Socket Set Screw
STCS	Self Tapping Cap Screw
STHMS	Slotted Truss Head Machine Screw
WHEEL	Wheel Studs and Hub Long Bolts
WING	Wing Bolt

Replacement Hardware

The **Hardware Legend** above lists hardware abbreviations used in the parts list. All bolts and nuts are Grade 5 unless otherwise noted. The use of improper grades of hardware can result in personal injury, damage to equipment, or loss of property.

Colored Replacement Parts

Land Pride offers replacement parts in factory standard colors and also on select models in Green, Orange, Red and Blue. Because of the variety of colors available, special attention must be given to the part number to prevent ordering the wrong replacement part.

A suffix number corresponding to one of the colors below must be added at the end of Land Pride's part number when ordering a replacement part with that color.

81 Green 83 Red
82 Orange 84 Blue

For example, if you are ordering a replacement part with part number 555-555C and the part you need is red, then add the suffix 83 to the end of the number to make the part number read 555-555C83. Parts ordered without a suffix number will be supplied in factory standard colors.

Black Replacement Parts

Some parts are factory standard black and some must be special ordered black. If your part is special ordered black, a second part number with the additional suffix number 85 on the end will be available. In this situation you must order that part with the suffix number for it to be black. Parts that are factory standard black will not have the suffix number.

Part Number Service Coding

Within the parts list some part numbers are coded for revisions and interchangeability. See notations in revision column.

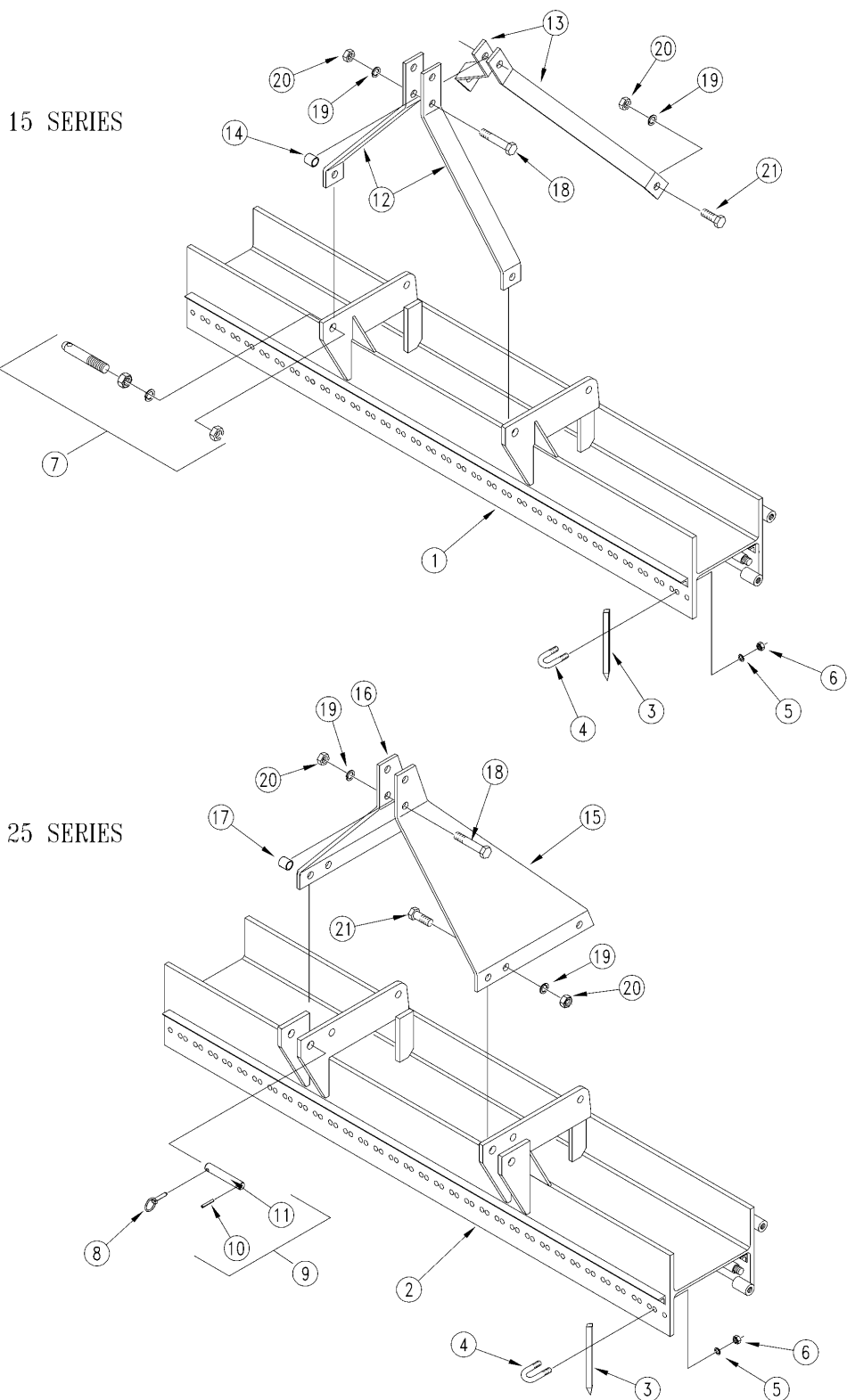
Serial Numbers

Always use the serial and model number when ordering parts. Refer to the Operator's Manual for serial number plate location.

- | | |
|----------------------|--|
| (S/N 20001+) | Includes serial numbers 20001 and above (to the latest number) |
| (S/N 10001 to 20000) | Includes serial numbers between and including 10001 and 20000 |
| (S/N 10000-) | Includes serial numbers 10000 and below (to the earliest number) |

Frame And Hitch S/N 191836-

Applies to SP1548, SP1556, SP1560, SP1572



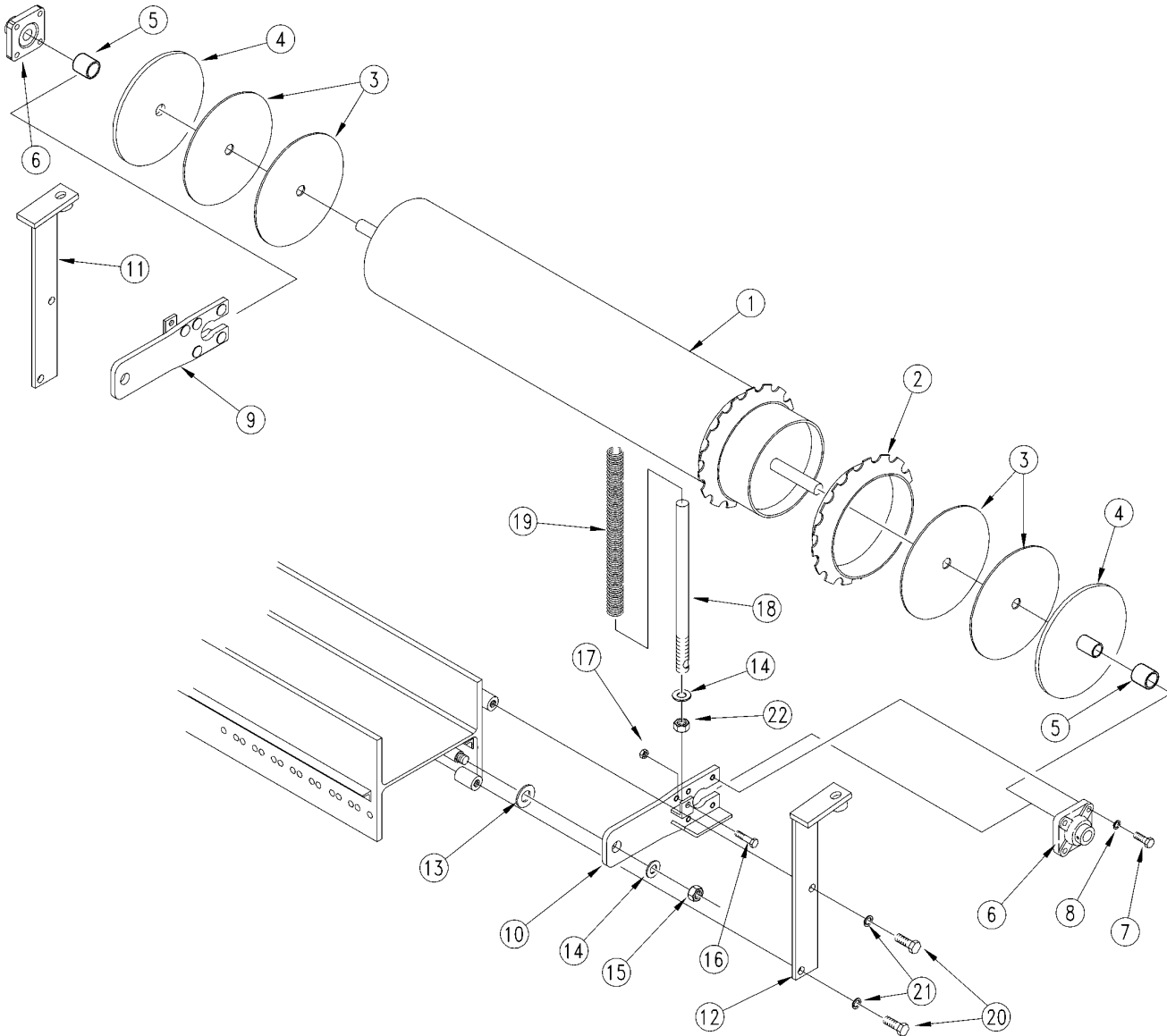
10869

Frame And Hitch S/N 191836-**Applies to SP1548, SP1556, SP1560, SP1572**

Ref	Part No.	Part Description	Comments	Revision
	dwg10869	Drawing Image Number		
1.	307-021H	48 PULVERIZER FRAME		
1.	307-022H	56 PULVERIZER FRAME		
1.	307-023H	60 PULVERIZER FRAME		
1.	307-024H	72 PULVERIZER FRAME		
2.	307-025H	72 PULVERIZER FRAME HEAVY		
2.	307-026H	84 PULVERIZER FRAME HEAVY		
3.	820-049C	SPIKE 5/8 SQ X 8 LONG		
4.	806-041C	U-BOLT 1/2-13 X 29/32 X 2 1/8		
5.	804-015C	WASHER LOCK SPRING 1/2 PLT		
6.	803-020C	NUT HEX 1/2-13 PLT		
7.	805-111C	PIN DRAW 7/8 X 5		
8.	805-015C	PIN LYNCH 5/16 X 1 3/4		
9.	303-017S	LOWER HITCH PIN 7/8 X 5 5/8		
10.	805-041C	PIN ROLL 1/4X1 3/4		
11.	805-207C	PIN 7/8 OD X 4 15/32 USABLE		
12.	303-036D	48 HITCH STRAP		
13.	307-052D	HITCH BRACE STANDARD		
14.	303-037D	TOP HITCH SPACER		
15.	307-050D	LH HITCH PLATE		
16.	307-051D	RH HITCH PLATE		
17.	307-068D	HITCH SPACER - HEAVY		
18.	802-068C	HHCS 3/4-10X4 GR5		
19.	804-023C	WASHER LOCK SPRING 3/4 PLT		
20.	803-027C	NUT HEX 3/4-10 PLT		
21.	802-064C	HHCS 3/4-10X2 GR5		

Cast Wheel Roller

Applies to SP1560, SP1572



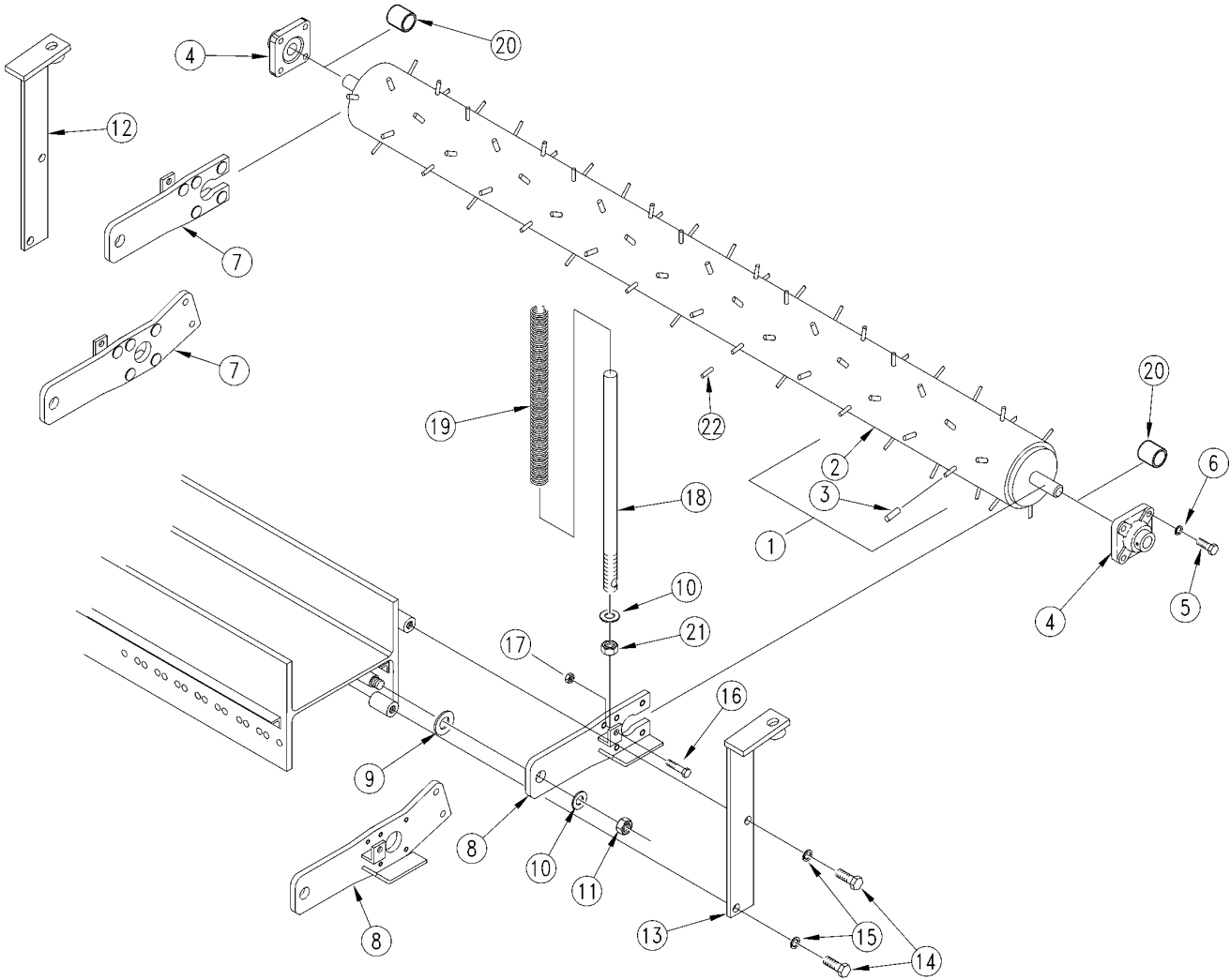
10872

Cast Wheel Roller**Applies to SP1560, SP1572**

Ref	Part No.	Part Description	Comments	Revision
	dwg10872	Drawing Image Number		
1.	307-028H	48 CAST WHEEL MTG TUBE		
1.	307-029H	56 CAST WHEEL MTG TUBE		
1.	307-030H	60 CAST WHEEL MOUNTING TUBE		
1.	307-031H	72 CAST WHEEL MOUNTING TUBE		
1.	307-032H	84 CAST WHEEL MOUNTING TUBE		
2.	812-056C	ROLLER WHEEL 12		
3.	307-062D	CAST WHEEL SHIM PLATE		
4.	307-033H	CAST WHEEL END CAP		
5.	307-063D	48 CAST WHEEL SPACER TUBE		
5.	307-064D	60 CAST WHEEL SPACER TUBE		
5.	307-065D	72 CAST WHEEL SPACER TUBE		
5.	307-066D	84 CAST WHEEL SPACER TUBE		
6.	822-085C	BEARING 1 BORE X 4 BOLT		
7.	802-079C	HHCS 3/8-16X1 1/4 GR5		
8.	804-013C	WASHER LOCK SPRING 3/8 PLT		
9.	307-035H	RH MTG ARM - CAST WHEEL		
10.	307-034H	LH MTG ARM - CAST WHEEL		
11.	307-005H	RH SPRING RETAINER		
12.	307-006H	LH SPRING RETAINER		
13.	804-029C	WASHER FLAT 1 SAE		
14.	804-024C	WASHER FLAT 3/4 USS PLT		
15.	803-026C	NUT LOCK 3/4-10 PLT		
16.	802-143C	HHCS 3/8-16X2 GR5		
17.	803-014C	NUT HEX 3/8-16 PLT		
18.	307-109V	SPRING ROD FRONT W/NUT		
19.	807-005C	SPRING DISC ARM		
20.	802-050C	HHCS 5/8-11X1 1/4 GR5		
21.	804-022C	WASHER LOCK SPRING 5/8 PLT		
22.	803-025C	NUT HEX 3/4-10 PLT NYLOCK		

Single Roller

Applies to SP1548, SP1556, SP1560, SP1572

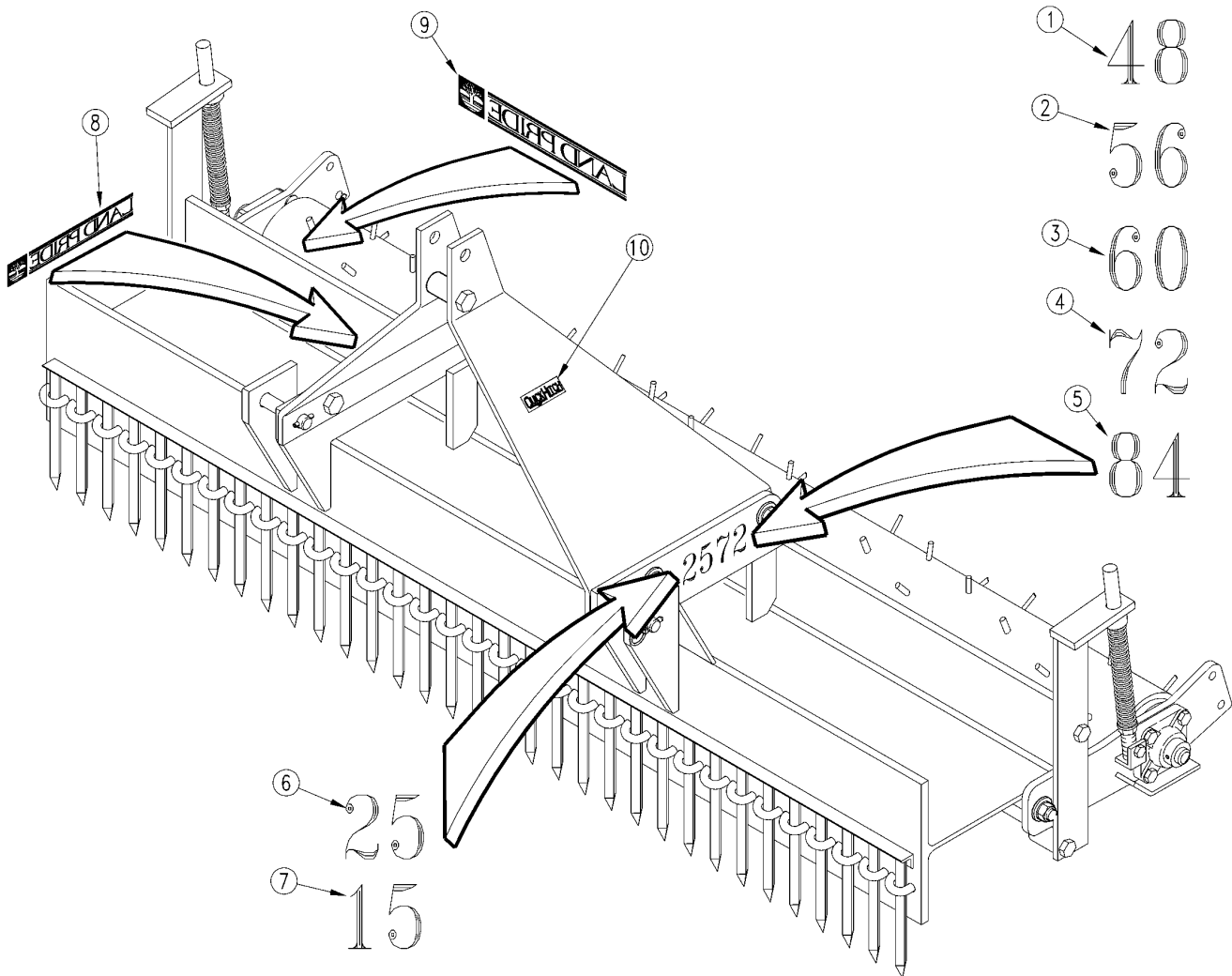


Single Roller**Applies to SP1548, SP1556, SP1560, SP1572**

Ref	Part No.	Part Description	Comments	Revision
	dwg10870	Drawing Image Number		
1.	307-090S	48 ROLLER ASSY W/SLEEVES STD		
1.	307-091S	54 ROLLER ASSY W/SLEEVES STD		
1.	307-092S	60 ROLLER ASSY W/SLEEVES STD		
1.	307-093S	72 ROLLER ASSY W/SLEEVES STD		
1.	307-094S	72 ROLLER ASSY W/SLEEVES HVY		
1.	307-095S	84 ROLLER ASSY W/SLEEVES HVY		
2.	307-008H	48 ROLLER WELDMENT STD		
2.	307-009H	56 ROLLER WELDMENT STD		
2.	307-010H	60 ROLLER WELDMENT STD		
2.	307-011H	72 ROLLER WELDMENT STD		
2.	307-012H	72 ROLLER WELDMENT - HEAVY		
2.	307-013H	84 ROLLER WELDMENT HEAVY		
3.	890-152C	SLEEVE 3/8 PIN-WEAR		
4.	822-085C	BEARING 1 BORE X 4 BOLT		
5.	802-079C	HHCS 3/8-16X1 1/4 GR5		
6.	804-013C	WASHER LOCK SPRING 3/8 PLT		
7.	307-001H	RH ROLLER MOUNTING ARM		
7.	307-018H	RH FRONT ARM DUAL ROLLER		
8.	307-002H	LH ROLLER MOUNTING ARM		
8.	307-017H	LH FRONT ARM DUAL ROLLER		
9.	804-029C	WASHER FLAT 1 SAE		
10.	804-024C	WASHER FLAT 3/4 USS PLT		
11.	803-026C	NUT LOCK 3/4-10 PLT		
12.	307-005H	RH SPRING RETAINER		
13.	307-006H	LH SPRING RETAINER		
14.	802-050C	HHCS 5/8-11X1 1/4 GR5		
15.	804-022C	WASHER LOCK SPRING 5/8 PLT		
16.	802-143C	HHCS 3/8-16X2 GR5		
17.	803-014C	NUT HEX 3/8-16 PLT		
18.	307-109V	SPRING ROD FRONT W/NUT		
19.	807-005C	SPRING DISC ARM		
20.	307-064D	60 CAST WHEEL SPACER TUBE		
21.	803-025C	NUT HEX 3/4-10 PLT NYLOCK		
22.	890-151C	WELD STUD 3/8 X 1 1/4	Welding Required	

Decal Placement

Applies to SP1548, SP1556, SP1560, SP1572



Decal Placement**Applies to SP1548, SP1556, SP1560, SP1572**

Ref	Part No.	Part Description	Comments	Revision
	Dwg 10876	Drawing Image Number		
	307-064A	SP1548 BUCKSKIN W/DECALS		
	307-069A	SP1556 BUCKSKIN W/DECALS		
	307-074A	SP1560 BUCKSKIN W/DECALS		
	307-079A	SP1572 BUCKSKIN W/DECALS		
	307-084A	SP2572 BUCKSKIN W/DECALS		
	307-089A	SP2584 BUCKSKIN W/DECALS		
	307-089A	SP2584 BUCKSKIN W/DECALS		
		*		
1.	818-087C	DECAL 48 LP - BLACK		
2.	818-089C	DECAL 56 LP - BLACK		
3.	818-090C	DECAL 60 LP - BLACK		
4.	818-092C	DECAL 72 LP - BLACK	Obsolete	
5.	818-094C	DECAL 84 LP - BLACK		
6.	818-085C	N/A	Obsolete	
7.	818-084C	DECAL 15 SERIES LP - BLACK	Obsolete	
8.	818-164C	LP LOGO SMALL GREEN		
9.	818-162C	LP LOGO LARGE GREEN		
10.	838-517C	DECAL QUICK HITCH SYSTEM		

Land Pride Touch-up Paints

Applies to SP1548, SP1556, SP1560, SP1572

No diagram associated with this Parts List

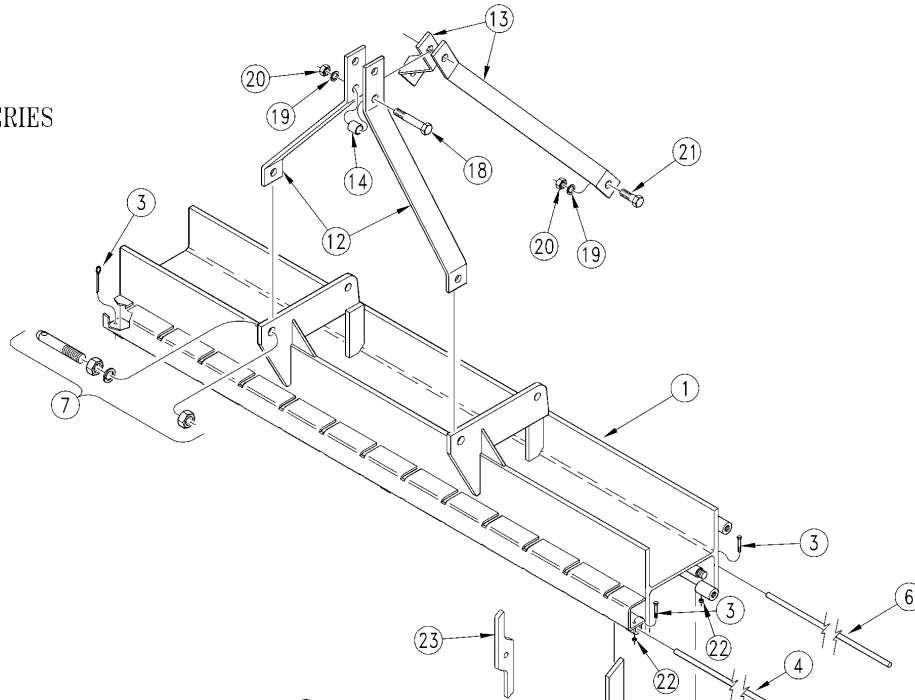
Land Pride Touch-up Paints**Applies to SP1548, SP1556, SP1560, SP1572**

Ref	Part No.	Part Description	Comments	Revision
1.	821-011C	LP BEIGE SPRAY CAN	Spray can	
1.	821-070C	GLOSS BLACK SPRAY CAN	Spray can	
1.	821-054C	MED. RED SPRAY TRCK/CTR	Spray can	
1.	821-058C	GREEN SPRAY CUTTERS	Spray can	
1.	821-066C	ORANGE SPRAY CAN	Spray can	
1.	821-067C	BLUE SPRAY CAN	Spray can	
1.	821-080C	PAINT ALUMINUM/ZINC SPRAY CAN	Spray can	
2.	821-011CTU	LP BEIGE TOUCH-UP 5OZ	Touch-up bottle with brush	
2.	821-070CTU	GLOSS BLACK TOUCH-UP 5OZ	Touch-up bottle with brush	
2.	821-054CTU	MED RED TOUCH-UP 5OZ	Touch-up bottle with brush	
2.	821-058CTU	GREEN TOUCH-UP 5OZ	Touch-up bottle with brush	
2.	821-066CTU	ORANGE TOUCH-UP 5OZ	Touch-up bottle with brush	
2.	821-067CTU	BLUE TOUCH-UP 5OZ	Touch-up bottle with brush	
2.	821-080CTU	PAINT ALUMINUM/ZINC TOUCH UP	Touch-up bottle with brush	
3.	821-011CQT	LP BEIGE QUART	Quart can	
3.	821-070CQT	GLOSS BLACK QUART	Quart can	
3.	821-054CQT	MED RED QUART	Quart can	
3.	821-058CQT	GREEN QUART	Quart can	
3.	821-066CQT	ORANGE QUART	Quart can	
3.	821-067CQT	BLUE QUART	Quart can	
3.	821-080CQT	PAINT ALUMINUM/ZINC QUART	Quart can	
4.	821-011CGL	LP BEIGE GALLON	Gallon can	
4.	821-070CGL	GLOSS BLACK GALLON	Gallon can	
4.	821-054CGL	MED RED GALLON	Gallon can	
4.	821-058CGL	GREEN GALLON	Gallon can	
4.	821-066CGL	ORANGE GALLON	Gallon can	
4.	821-067CGL	BLUE GALLON	Gallon can	
4.	821-080CGL	PAINT ALUMINUM/ZINC GALLON	Gallon can	

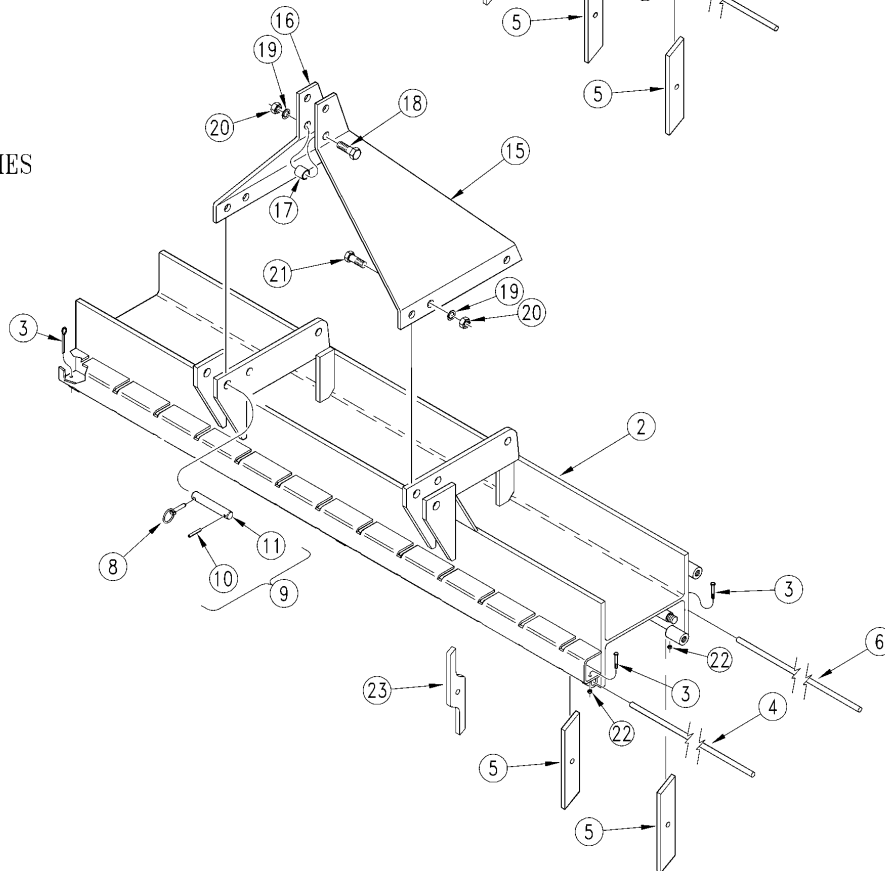
Frame And Hitch S/N 191837 to 645117

Applies to SP2048, SP2056, SP2060, SP2072

20 SERIES



30 SERIES

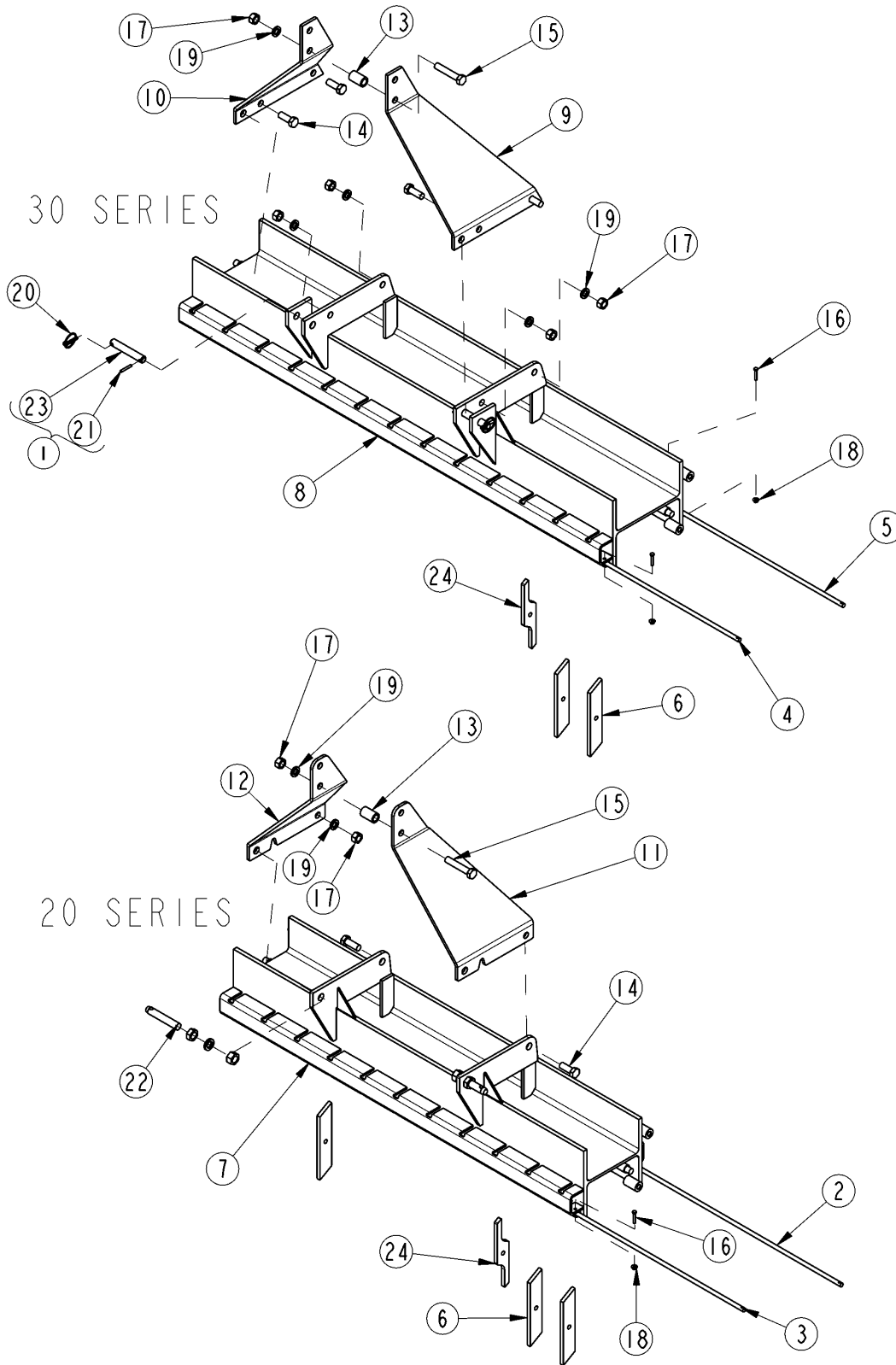


Frame And Hitch S/N 191837 to 645117**Applies to SP2048, SP2056, SP2060, SP2072**

Ref	Part No.	Part Description	Comments	Revision
	dwg15595	Drawing Image Number		
1.	307-111H	SP2048 FRAME WELDMENT		
1.	307-112H	SP2056 FRAME WELDMENT		
1.	307-113H	SP2060 FRAME WELDMENT		
1.	307-113H82	SP2060 FRAME WELDMENT ORANGE		
1.	307-114H	SP2072 FRAME WELDMENT		
1.	307-114H82	SP2072 FRAME WELDMENT ORANGE		
2.	307-115H	SP3072 FRAME WELDMENT		
2.	307-115H82	SP3072 FRAME WELDMENT ORANGE		
2.	307-116H	SP3084 FRAME WELDMENT		
2.	307-116H82	SP3084 FRAME WELDMENT ORANGE		
3.	802-167C	HHCS 1/4-20X1 1/2 GR5	(S/N 0196715+ on SP20 models) (S/N 0196779+ on SP30 models)	Rev. 2
3.	805-247C	PIN COTTER 1/4 X 1 3/4 LG PLT	(S/N 0196714- on SP20 models) (S/N 0196778- on SP30 models)	Rev 1; Use up stock
4.	307-087D	48 FRONT/56 REAR LOCKING ROD		
4.	307-089D	56 FRONT/60 REAR LOCKING ROD		
4.	307-090D	60 FRONT LOCKING ROD		
4.	307-091D	72 FRONT LOCKING ROD		
4.	307-093D	84 FRONT LOCKING ROD		
5.	307-095D	PULVERIZER SHANK REVERSIBLE		
6.	307-088D	48 REAR LOCKING ROD		
6.	307-087D	48 FRONT/56 REAR LOCKING ROD		
6.	307-089D	56 FRONT/60 REAR LOCKING ROD		
6.	307-092D	72 REAR LOCKING ROD		
6.	307-094D	84 REAR LOCKING ROD		
7.	805-111C	PIN DRAW 7/8 X 5		
8.	805-015C	PIN LYNCH 5/16 X 1 3/4		
9.	303-017S	LOWER HITCH PIN 7/8 X 5 5/8		
10.	805-041C	PIN ROLL 1/4X1 3/4		
11.	805-207C	PIN 7/8 OD X 4 15/32 USABLE		
12.	322-010D	DISC UPPER 3PT STRAP SHORT	(S/N 280233+)	Rev. 2 not compat. w/Rev. 1.
12.	322-010D82	UPPER 3PNT STRAP SHORT ORANGE		
12.	303-036D	48 HITCH STRAP	(S/N 280232-)	Rev. 1
13.	307-110D	SP20 UPPER 3 PT REAR BRACE	(S/N 280233+)	Rev. 2 not compat. w/Rev. 1.
13.	307-110D82	SP20 UPPR 3PT REAR BRCE ORANGE		
13.	307-052D	HITCH BRACE STANDARD	(S/N 280232-)	Rev. 1
14.	307-111D	SPCR 1 1/4ODX7/32WLX1.5LG PLT	(S/N 280233+)	Rev. 2 not compat. w/Rev. 1.
14.	303-037D	TOP HITCH SPACER	(S/N 280232-)	Rev. 1
15.	307-119D	SP & SPS LH HITCH PLATE	(S/N 309409+)	Rev. 2
15.	307-119D82	SP & SPS LH HITCH PLATE ORANGE		
15.	307-050D	LH HITCH PLATE	(S/N 309408-)	Rev 1; Use up stock
16.	307-120D	SP & SPS RH HITCH PLATE	(S/N 309409+)	Rev. 2
16.	307-120D82	SP & SPS RH HITCH PLATE ORANGE		
16.	307-051D	RH HITCH PLATE	(S/N 309408-)	Rev 1; Use up stock
17.	307-068D	HITCH SPACER - HEAVY		
18.	802-192C	HHCS 3/4-10X4 1/2 GR5	(S/N 280233+)	Rev. 2 not compat. w/Rev. 1.
18.	802-068C	HHCS 3/4-10X4 GR5	(S/N 280232-)	Rev. 1
19.	804-023C	WASHER LOCK SPRING 3/4 PLT		
20.	803-027C	NUT HEX 3/4-10 PLT		
21.	802-064C	HHCS 3/4-10X2 GR5		
22.	803-088C	NUT HEX LOCK 1/4-20 FLG	(S/N 0196715+ on SP20 models) (S/N 0196779+ on SP30 models)	
23.	834-085C	PULV SHANK HT NARROW/RVRSBL	Optional shank	

Frame and Hitch S/N 645118+

Applies to SP2060, SP2072



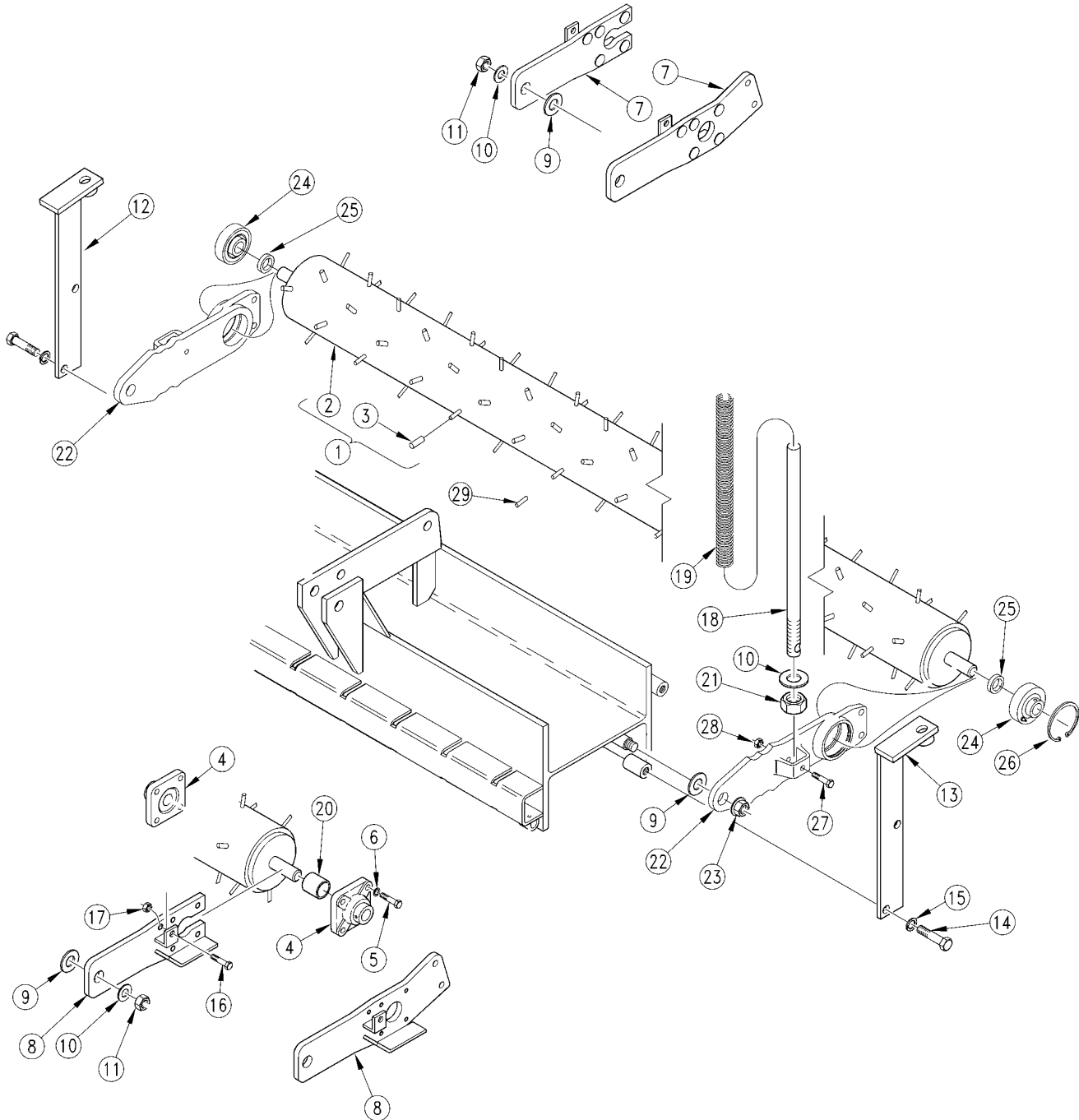
30116

Frame and Hitch S/N 645118+**Applies to SP2060, SP2072**

Ref	Part No.	Part Description	Comments	Revision
	dwg30116	Drawing Image Number		
1.	303-017S	LOWER HITCH PIN 7/8 X 5 5/8		
2.	307-089D	60 REAR LOCKING ROD		
2.	307-092D	72 REAR LOCKING ROD		
3.	307-090D	60 FRONT LOCKING ROD		
3.	307-091D	72 FRONT LOCKING ROD		
4.	307-091D	72 FRONT LOCKING ROD		
4.	307-093D	84 FRONT LOCKING ROD		
5.	307-092D	72 REAR LOCKING ROD		
5.	307-094D	84 REAR LOCKING ROD		
6.	307-095D	PULVERIZER SHANK REVERSIBLE		
7.	307-113H	SP2060 FRAME WELDMENT		
7.	307-113H82	SP2060 FRAME WELDMENT ORANGE		
7.	307-114H	SP2072 FRAME WELDMENT		
7.	307-114H82	SP2072 FRAME WELDMENT ORANGE		
8.	307-115H	SP3072 FRAME WELDMENT		
8.	307-115H82	SP3072 FRAME WELDMENT ORANGE		
8.	307-116H	SP3084 FRAME WELDMENT		
8.	307-116H82	SP3084 FRAME WELDMENT ORANGE		
9.	307-119D	SP & SPS LH HITCH PLATE		
9.	307-119D82	SP & SPS LH HITCH PLATE ORANGE		
10.	307-120D	SP & SPS RH HITCH PLATE		
10.	307-120D82	SP & SPS RH HITCH PLATE ORANGE		
11.	307-121D	PLATE, SP 20SERIES LH HITCH		
11.	307-121D82	PLATE, ORANGE SP20 LH HITCH		
12.	307-122D	PLATE, SP 20SERIES RH HITCH		
12.	307-122D82	PLATE, ORANGE SP20 RH HITCH		
13.	308-400D	SPACER 1 1/4OD X 13/16ID X 2LG		
14.	802-064C	HHCS 3/4-10X2 GR5		
15.	802-068C	HHCS 3/4-10X4 GR5		
16.	802-167C	HHCS 1/4-20X1 1/2 GR5		
17.	803-027C	NUT HEX 3/4-10 PLT		
18.	803-088C	NUT HEX LOCK 1/4-20 FLG		
19.	804-023C	WASHER LOCK SPRING 3/4 PLT		
20.	805-015C	PIN LINCH 5/16 X 1 3/4		
21.	805-041C	PIN ROLL 1/4X1 3/4		
22.	805-111C	PIN DRAW 7/8 X 5		
23.	805-207C	PIN 7/8 OD X 4 15/32 USABLE		
24.	834-085C	PULV SHANK HT NARROW/RVRSBL	Optional Shank	

Single Roller (S/N 695422-)

Applies to SP2048, SP2056, SP2060, SP2072



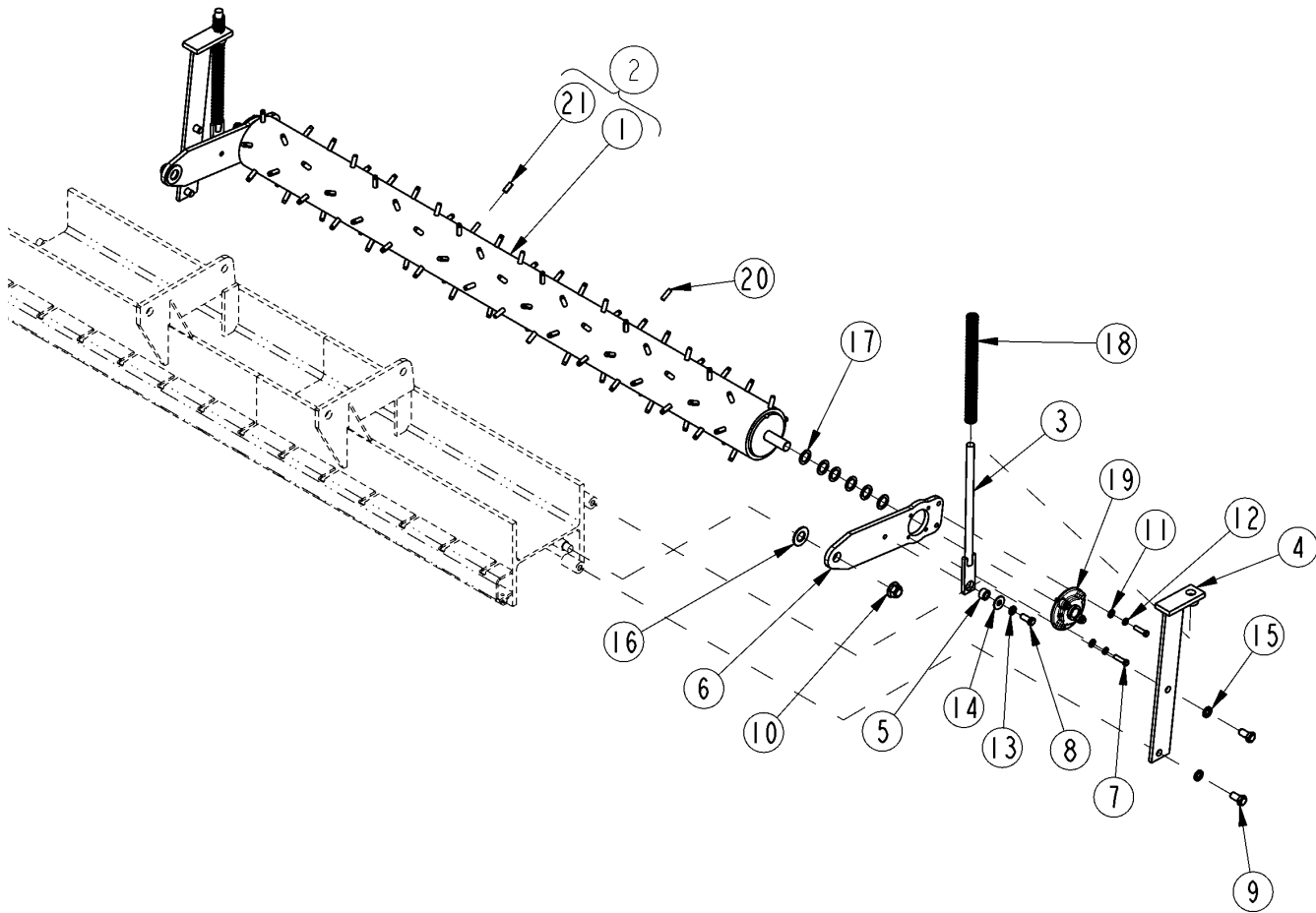
15596

Single Roller (S/N 695422-)**Applies to SP2048, SP2056, SP2060, SP2072**

Ref	Part No.	Part Description	Comments	Revision
	Dwg 15596	Drawing Image Number		
1.	307-090S	48 ROLLER ASSY W/SLEEVES STD		
1.	307-091S	54 ROLLER ASSY W/SLEEVIS STD		
1.	307-092S	60 ROLLER ASSY W/SLEEVES STD		
1.	307-093S	72 ROLLER ASSY W/SLEEVES STD		
2.	307-008H	48 ROLLER WELDMENT STD		
2.	307-009H	56 ROLLER WELDMENT STD		
2.	307-010H	60 ROLLER WELDMENT STD		
2.	307-011H	72 ROLLER WELDMENT STD		
3.	890-152C	SLEEVE 3/8 PIN-WEAR		
4.	822-085C	BEARING 1 BORE X 4 BOLT	(S/N 254299-)	
5.	802-079C	HHCS 3/8-16X1 1/4 GR5	(S/N 254299-)	
6.	804-013C	WASHER LOCK SPRING 3/8 PLT	(S/N 254299-)	
7.	307-118H	SP20 RH SINGLE ROLLER ARM WLD	(S/N 254299-)	
8.	307-117H	SP20 LH SINGLE ROLLER ARM WLD	(S/N 254299-)	
9.	804-029C	WASHER FLAT 1 SAE		
10.	804-024C	WASHER FLAT 3/4 USS PLT	(S/N 254299-)	
11.	803-026C	NUT LOCK 3/4-10 PLT	(S/N 254299-)	
12.	307-150H	PULV. RH FRONT TOWER WELDMENT	(S/N 254300+)	Rev. 2 not compat. w/Rev. 1.
12.	307-005H	RH SPRING RETAINER	(S/N 254299-)	Rev. 1
13.	307-151H	PULV. LH FRONT TOWER WELDMENT	(S/N 254300+)	Rev. 2 not compat. w/Rev. 1.
13.	307-006H	LH SPRING RETAINER	(S/N 254299-)	Rev. 1
14.	802-050C	HHCS 5/8-11X1 1/4 GR5		
15.	804-022C	WASHER LOCK SPRING 5/8 PLT		
16.	802-143C	HHCS 3/8-16X2 GR5	(S/N 254299-)	
17.	803-014C	NUT HEX 3/8-16 PLT	(S/N 254299-)	
18.	307-167V	PULV. SPRING ROD FRONT W/NUT	(S/N 254300+)	Rev. 2 not compat. w/Rev. 1.
18.	307-109V	SPRING ROD FRONT W/NUT	(S/N 254299-)	Rev. 1
19.	807-005C	SPRING DISC ARM		
20.	307-064D	60 CAST WHEEL SPACER TUBE	(S/N 254299-)	
21.	803-025C	NUT HEX 3/4-10 PLT NYLOCK		
22.	307-149V	RPBY 313-515A OR 313-516A	Obsolete	
22.	307-100D	RPBY 307-213A	Obsolete	
23.	803-181C	NUT HEX FLANGE LOCK 3/4-10 PLT	(S/N 1136689+)	
23.	803-299C	NUT HEX FLG TOP LK 3/4-10 PLT	(S/N 254300 to 1136688)	
24.	822-172C	BRG SPHERE 1ID W/CST HS 3.14OD	(S/N 254300+)	
25.	307-101D	FRONT ROLLER SPACER 11/32 WIDE	(S/N 254300+)	
26.	800-053C	SNAP RING INT3.523OD N5000-315	(S/N 254300+)	
27.	802-382C	HHCS 3/8-16X2 1/4 GR5	(S/N 254300+)	
28.	803-013C	NUT LOCK 3/8-16 PLT	(S/N 254300+)	
29.	890-151C	WELD STUD 3/8 X 1 1/4	Welding Required	

SP20 Single Roller (S/N 695423+)

Applies to SP2060, SP2072



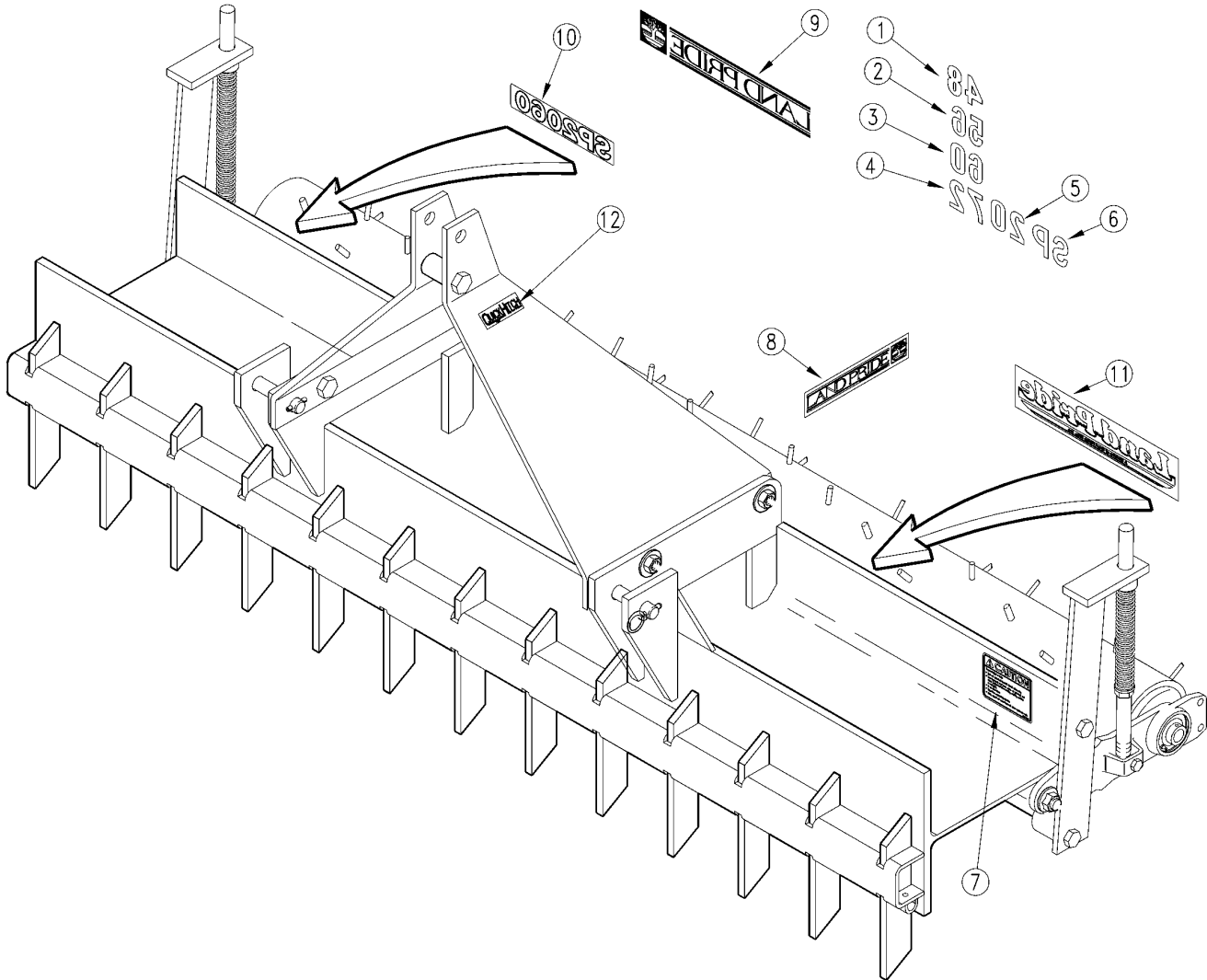
33580

SP20 Single Roller (S/N 695423+)**Applies to SP2060, SP2072**

Ref	Part No.	Part Description	Comments	Revision
	Dwg 33580	Drawing Image Number		
1.	307-011H	72 ROLLER WELDMENT STD		
1.	307-010H	60 ROLLER WELDMENT STD		
2.	307-093S	72 ROLLER ASSY W/SLEEVES STD		
2.	307-092S	60 ROLLER ASSY W/SLEEVES STD		
3.	313-499H	SPRING ROD WELDMENT		
4.	313-501H	SPRING TOWER WELDMENT		
5.	313-804D	SPRING ROD BUSHING		
6.	313-805D	FRONT ROLLER ARM		
7.	802-022C	HHCS 3/8-16X1 1/2 GR5		
8.	802-034C	HHCS 1/2-13X1 1/4 GR5		
9.	802-050C	HHCS 5/8-11X1 1/4 GR5		
10.	803-181C	NUT HEX FLANGE LOCK 3/4-10 PLT	S/N 1136689+	
10.	803-299C	NUT HEX FLG TOP LK 3/4-10 PLT	S/N 1136688-	
11.	804-012C	WASHER FLAT 3/8 SAE PLT		
12.	804-013C	WASHER LOCK SPRING 3/8 PLT		
13.	804-015C	WASHER LOCK SPRING 1/2 PLT		
14.	804-017C	WASHER FLAT 1/2 USS PLT		
15.	804-022C	WASHER LOCK SPRING 5/8 PLT		
16.	804-029C	WASHER FLAT 1 SAE		
17.	804-192C	WASHER MACH 1.5X1.00X.075		
18.	807-005C	SPRING DISC ARM		
19.	822-326C	FLANGE BEARING 1ID X 4 BOLT	S/N 1172015+	
19.	822-249C	RPBY 822-326C	S/N 1172014-	
20.	890-151C	WELD STUD 3/8 X 1 1/4	Welding Required	
21.	890-152C	SLEEVE 3/8 PIN-WEAR		

Decal Placement

Applies to SP2048, SP2056, SP2060, SP2072



Decal Placement**Applies to SP2048, SP2056, SP2060, SP2072**

Ref	Part No.	Part Description	Comments	Revision
	Dwg 17569	Drawing Image Number		
	307-139A	SP2048 DECAL BUNDLE		
	307-140A	SP2056 DECAL BUNDLE		
	307-141A	SP2060 DECAL BUNDLE		
	307-142A	SP2072 DECAL BUNDLE		
		*		
1.	818-087C	DECAL 48 LP - BLACK	(S/N 252462-)	
2.	818-089C	DECAL 56 LP - BLACK	(S/N 252462-)	
3.	818-090C	DECAL 60 LP - BLACK	(S/N 252462-)	
4.	818-092C	DECAL 72 LP - BLACK	(S/N 252462-) Obsolete	
5.	818-749C	DECAL 20 LAND PRIDE BLACK	(S/N 252462-)	
6.	818-747C	DECAL SP LAND PRIDE BLACK	(S/N 252462-)	
7.	818-719C	DECAL CAUTION GENERAL INSTR		
8.	818-164C	LP LOGO SMALL GREEN	(S/N 252462-)	
9.	818-162C	LP LOGO LARGE GREEN	(S/N 252462-)	
10.	838-030C	DECAL SP2060-GOLD	S/N 252463+	
10.	848-207C	RPBY 838-030C	Obsolete	
10.	838-031C	DECAL SP2072-GOLD	S/N 252463+	
10.	848-208C	RPBY 838-031C	Obsolete	
11.	818-899C	RPBY 848-161C	(S/N 252463+) Beige Unit	
11.	848-161C	DECAL LANDPRIDE 13.25 BRWN/GLD		
11.	848-159C	DECAL LANDPRIDE 10" BROWN/GOLD	Orange Unit	
12.	838-517C	DECAL QUICK HITCH SYSTEM		

Land Pride Touch-up Paints

Applies to SP2048, SP2056, SP2060, SP2072

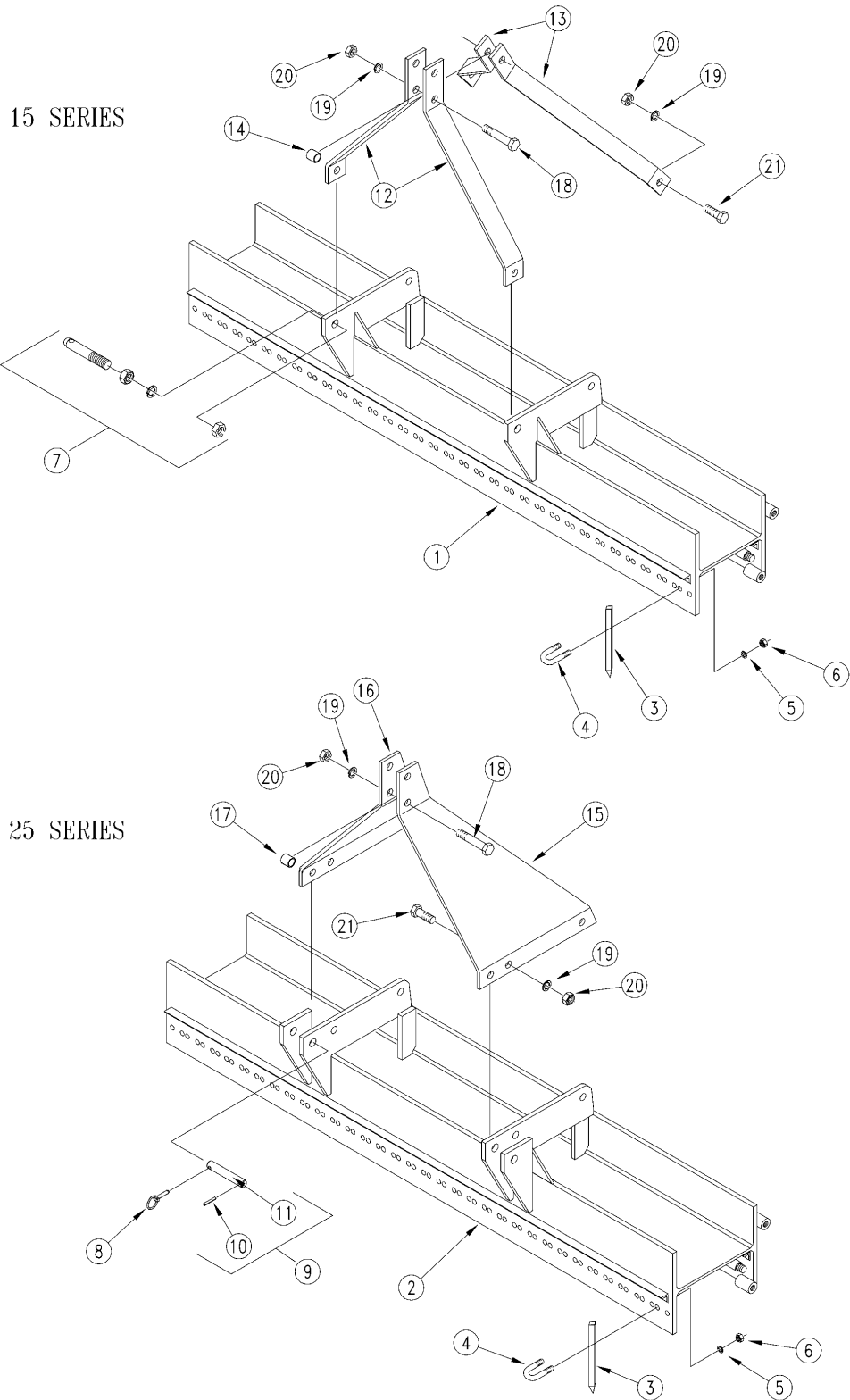
No diagram associated with this Parts List

Land Pride Touch-up Paints**Applies to SP2048, SP2056, SP2060, SP2072**

Ref	Part No.	Part Description	Comments	Revision
1.	821-011C	LP BEIGE SPRAY CAN	Spray can	
1.	821-070C	GLOSS BLACK SPRAY CAN	Spray can	
1.	821-054C	MED. RED SPRAY TRCK/CTR	Spray can	
1.	821-058C	GREEN SPRAY CUTTERS	Spray can	
1.	821-066C	ORANGE SPRAY CAN	Spray can	
1.	821-067C	BLUE SPRAY CAN	Spray can	
1.	821-080C	PAINT ALUMINUM/ZINC SPRAY CAN	Spray can	
2.	821-011CTU	LP BEIGE TOUCH-UP 5OZ	Touch-up bottle with brush	
2.	821-070CTU	GLOSS BLACK TOUCH-UP 5OZ	Touch-up bottle with brush	
2.	821-054CTU	MED RED TOUCH-UP 5OZ	Touch-up bottle with brush	
2.	821-058CTU	GREEN TOUCH-UP 5OZ	Touch-up bottle with brush	
2.	821-066CTU	ORANGE TOUCH-UP 5OZ	Touch-up bottle with brush	
2.	821-067CTU	BLUE TOUCH-UP 5OZ	Touch-up bottle with brush	
2.	821-080CTU	PAINT ALUMINUM/ZINC TOUCH UP	Touch-up bottle with brush	
3.	821-011CQT	LP BEIGE QUART	Quart can	
3.	821-070CQT	GLOSS BLACK QUART	Quart can	
3.	821-054CQT	MED RED QUART	Quart can	
3.	821-058CQT	GREEN QUART	Quart can	
3.	821-066CQT	ORANGE QUART	Quart can	
3.	821-067CQT	BLUE QUART	Quart can	
3.	821-080CQT	PAINT ALUMINUM/ZINC QUART	Quart can	
4.	821-011CGL	LP BEIGE GALLON	Gallon can	
4.	821-070CGL	GLOSS BLACK GALLON	Gallon can	
4.	821-054CGL	MED RED GALLON	Gallon can	
4.	821-058CGL	GREEN GALLON	Gallon can	
4.	821-066CGL	ORANGE GALLON	Gallon can	
4.	821-067CGL	BLUE GALLON	Gallon can	
4.	821-080CGL	PAINT ALUMINUM/ZINC GALLON	Gallon can	

Frame And Hitch S/N 191836-

Applies to SP2572, SP2584



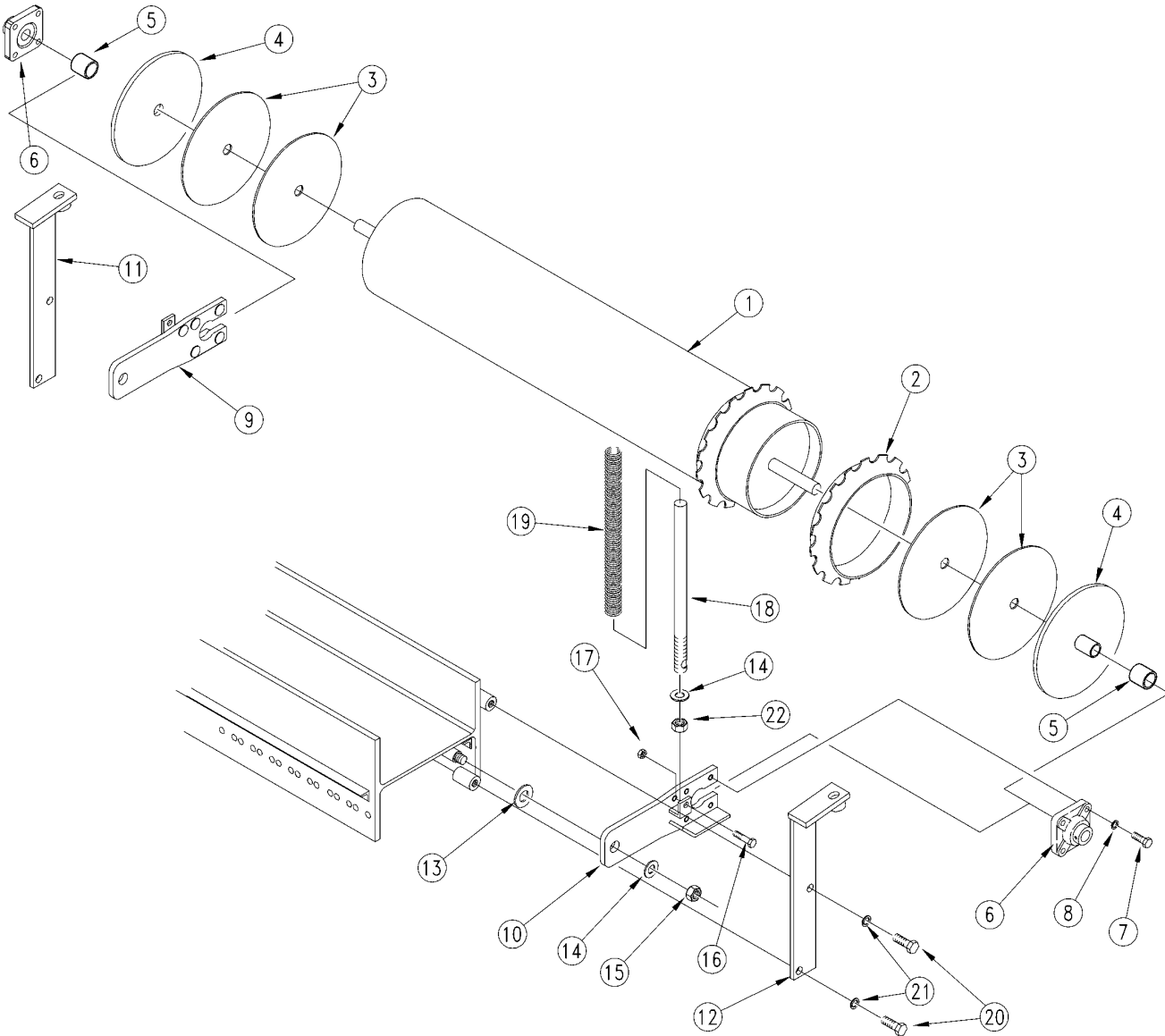
10869

Frame And Hitch S/N 191836-**Applies to SP2572, SP2584**

Ref	Part No.	Part Description	Comments	Revision
	dwg10869	Drawing Image Number		
1.	307-021H	48 PULVERIZER FRAME		
1.	307-022H	56 PULVERIZER FRAME		
1.	307-023H	60 PULVERIZER FRAME		
1.	307-024H	72 PULVERIZER FRAME		
2.	307-025H	72 PULVERIZER FRAME HEAVY		
2.	307-026H	84 PULVERIZER FRAME HEAVY		
3.	820-049C	SPIKE 5/8 SQ X 8 LONG		
4.	806-041C	U-BOLT 1/2-13 X 29/32 X 2 1/8		
5.	804-015C	WASHER LOCK SPRING 1/2 PLT		
6.	803-020C	NUT HEX 1/2-13 PLT		
7.	805-111C	PIN DRAW 7/8 X 5		
8.	805-015C	PIN LYNCH 5/16 X 1 3/4		
9.	303-017S	LOWER HITCH PIN 7/8 X 5 5/8		
10.	805-041C	PIN ROLL 1/4X1 3/4		
11.	805-207C	PIN 7/8 OD X 4 15/32 USABLE		
12.	303-036D	48 HITCH STRAP		
13.	307-052D	HITCH BRACE STANDARD		
14.	303-037D	TOP HITCH SPACER		
15.	307-050D	LH HITCH PLATE		
16.	307-051D	RH HITCH PLATE		
17.	307-068D	HITCH SPACER - HEAVY		
18.	802-068C	HHCS 3/4-10X4 GR5		
19.	804-023C	WASHER LOCK SPRING 3/4 PLT		
20.	803-027C	NUT HEX 3/4-10 PLT		
21.	802-064C	HHCS 3/4-10X2 GR5		

Cast Wheel Roller

Applies to SP2572, SP2584



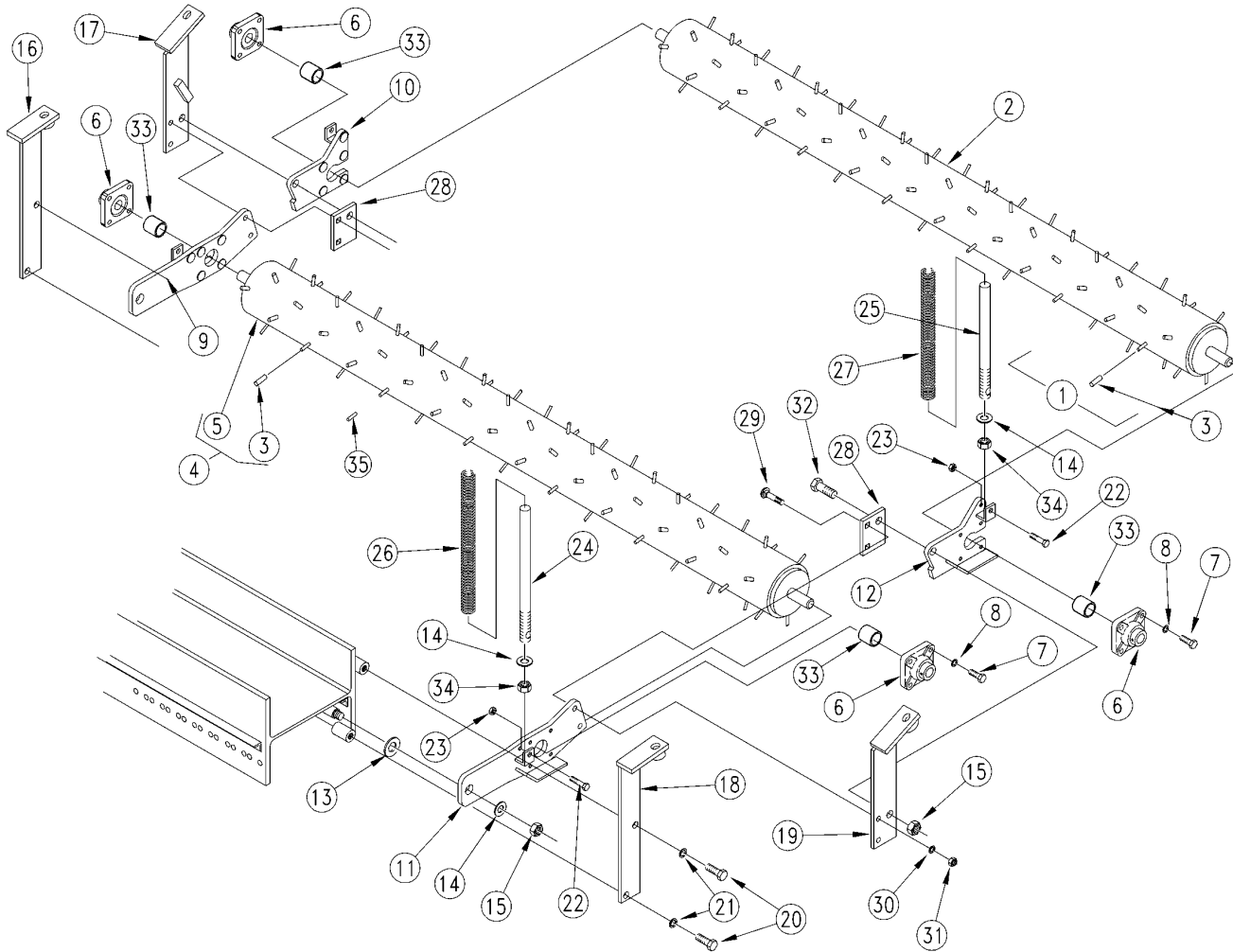
10872

Cast Wheel Roller**Applies to SP2572, SP2584**

Ref	Part No.	Part Description	Comments	Revision
	dwg10872	Drawing Image Number		
1.	307-028H	48 CAST WHEEL MTG TUBE		
1.	307-029H	56 CAST WHEEL MTG TUBE		
1.	307-030H	60 CAST WHEEL MOUNTING TUBE		
1.	307-031H	72 CAST WHEEL MOUNTING TUBE		
1.	307-032H	84 CAST WHEEL MOUNTING TUBE		
2.	812-056C	ROLLER WHEEL 12		
3.	307-062D	CAST WHEEL SHIM PLATE		
4.	307-033H	CAST WHEEL END CAP		
5.	307-063D	48 CAST WHEEL SPACER TUBE		
5.	307-064D	60 CAST WHEEL SPACER TUBE		
5.	307-065D	72 CAST WHEEL SPACER TUBE		
5.	307-066D	84 CAST WHEEL SPACER TUBE		
6.	822-085C	BEARING 1 BORE X 4 BOLT		
7.	802-079C	HHCS 3/8-16X1 1/4 GR5		
8.	804-013C	WASHER LOCK SPRING 3/8 PLT		
9.	307-035H	RH MTG ARM - CAST WHEEL		
10.	307-034H	LH MTG ARM - CAST WHEEL		
11.	307-005H	RH SPRING RETAINER		
12.	307-006H	LH SPRING RETAINER		
13.	804-029C	WASHER FLAT 1 SAE		
14.	804-024C	WASHER FLAT 3/4 USS PLT		
15.	803-026C	NUT LOCK 3/4-10 PLT		
16.	802-143C	HHCS 3/8-16X2 GR5		
17.	803-014C	NUT HEX 3/8-16 PLT		
18.	307-109V	SPRING ROD FRONT W/NUT		
19.	807-005C	SPRING DISC ARM		
20.	802-050C	HHCS 5/8-11X1 1/4 GR5		
21.	804-022C	WASHER LOCK SPRING 5/8 PLT		
22.	803-025C	NUT HEX 3/4-10 PLT NYLOCK		

Dual Roller (Part 1)

Applies to SP2572, SP2584



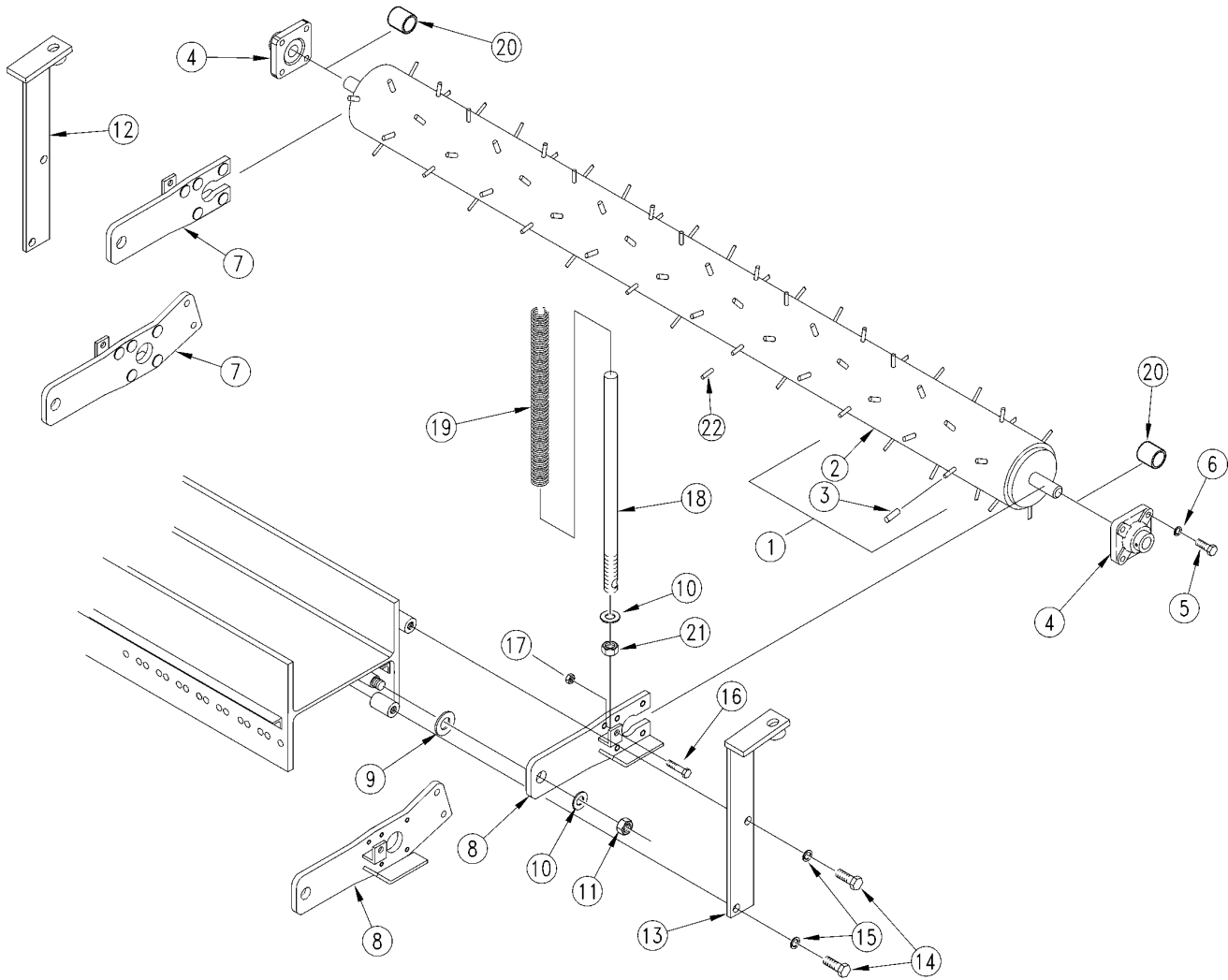
15309

Dual Roller (Part 1)**Applies to SP2572, SP2584**

Ref	Part No.	Part Description	Comments	Revision
		Image Reference: 15309		
1.	307-093S	72 ROLLER ASSY W/SLEEVES STD		
1.	307-096S	84 REAR ROLLER ASSY W/SLEEVES		
2.	307-011H	72 ROLLER WELDMENT STD		
2.	307-059H	84 REAR ROLLER		
3.	890-152C	SLEEVE 3/8 PIN-WEAR		
4.	307-094S	72 ROLLER ASSY W/SLEEVES HVY		
4.	307-095S	84 ROLLER ASSY W/SLEEVES HVY		
5.	307-012H	72 ROLLER WELDMENT - HEAVY		
5.	307-013H	84 ROLLER WELDMENT HEAVY		
6.	822-085C	BEARING 1 BORE X 4 BOLT		
7.	802-079C	HHCS 3/8-16X1 1/4 GR5		
8.	804-013C	WASHER LOCK SPRING 3/8 PLT		
9.	307-018H	RH FRONT ARM DUAL ROLLER		
10.	307-019H	RH REAR ROLLER MTG		
11.	307-017H	LH FRONT ARM DUAL ROLLER		
12.	307-020H	LH REAR ROLLER MTG		
13.	804-029C	WASHER FLAT 1 SAE		
14.	804-024C	WASHER FLAT 3/4 USS PLT		
15.	803-026C	NUT LOCK 3/4-10 PLT		
16.	307-005H	RH SPRING RETAINER		
17.	307-015H	RH REAR SPRING MTG		
18.	307-006H	LH SPRING RETAINER		
19.	307-016H	LH REAR SPRING MTG		
20.	802-050C	HHCS 5/8-11X1 1/4 GR5		
21.	804-022C	WASHER LOCK SPRING 5/8 PLT		
22.	802-143C	HHCS 3/8-16X2 GR5		
23.	803-014C	NUT HEX 3/8-16 PLT		
24.	307-109V	SPRING ROD FRONT W/NUT		
25.	307-110V	SPRING ROD REAR W/NUT		
26.	807-005C	SPRING DISC ARM		
27.	807-042C	SPRING REAR ROLLER		
28.	307-047D	REAR ROLLER INSIDE PIVOT		
29.	802-129C	RHSNB 1/2-13X2 GR5		
30.	804-015C	WASHER LOCK SPRING 1/2 PLT		
31.	803-020C	NUT HEX 1/2-13 PLT		
32.	802-064C	HHCS 3/4-10X2 GR5		
33.	307-064D	60 CAST WHEEL SPACER TUBE		
34.	803-025C	NUT HEX 3/4-10 PLT NYLOCK		
35.	890-151C	WELD STUD 3/8 X 1 1/4	Welding Required	

Single Roller

Applies to SP2572, SP2584



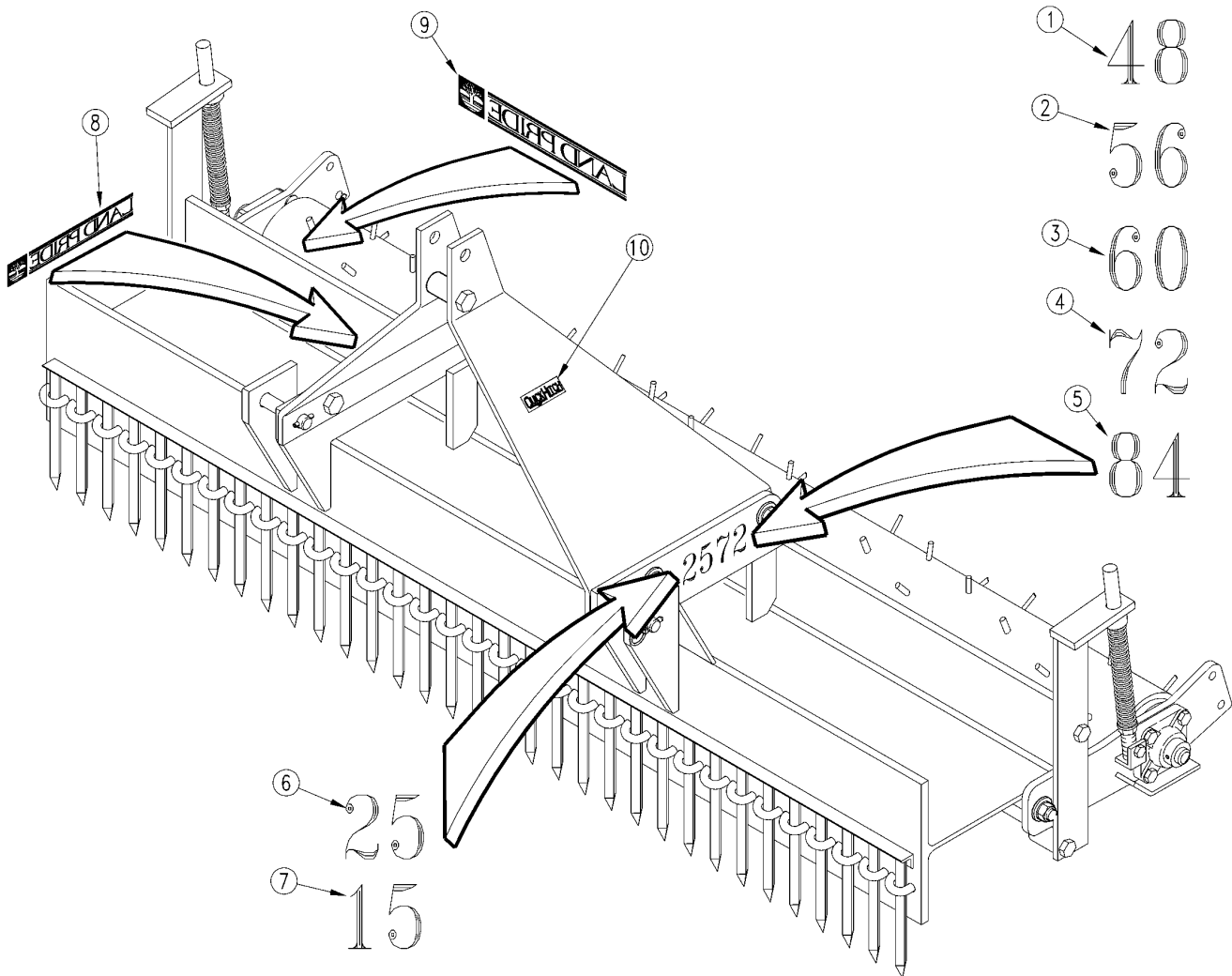
10870

Single Roller**Applies to SP2572, SP2584**

Ref	Part No.	Part Description	Comments	Revision
	dwg10870	Drawing Image Number		
1.	307-090S	48 ROLLER ASSY W/SLEEVES STD		
1.	307-091S	54 ROLLER ASSY W/SLEEVES STD		
1.	307-092S	60 ROLLER ASSY W/SLEEVES STD		
1.	307-093S	72 ROLLER ASSY W/SLEEVES STD		
1.	307-094S	72 ROLLER ASSY W/SLEEVES HVY		
1.	307-095S	84 ROLLER ASSY W/SLEEVES HVY		
2.	307-008H	48 ROLLER WELDMENT STD		
2.	307-009H	56 ROLLER WELDMENT STD		
2.	307-010H	60 ROLLER WELDMENT STD		
2.	307-011H	72 ROLLER WELDMENT STD		
2.	307-012H	72 ROLLER WELDMENT - HEAVY		
2.	307-013H	84 ROLLER WELDMENT HEAVY		
3.	890-152C	SLEEVE 3/8 PIN-WEAR		
4.	822-085C	BEARING 1 BORE X 4 BOLT		
5.	802-079C	HHCS 3/8-16X1 1/4 GR5		
6.	804-013C	WASHER LOCK SPRING 3/8 PLT		
7.	307-001H	RH ROLLER MOUNTING ARM		
7.	307-018H	RH FRONT ARM DUAL ROLLER		
8.	307-002H	LH ROLLER MOUNTING ARM		
8.	307-017H	LH FRONT ARM DUAL ROLLER		
9.	804-029C	WASHER FLAT 1 SAE		
10.	804-024C	WASHER FLAT 3/4 USS PLT		
11.	803-026C	NUT LOCK 3/4-10 PLT		
12.	307-005H	RH SPRING RETAINER		
13.	307-006H	LH SPRING RETAINER		
14.	802-050C	HHCS 5/8-11X1 1/4 GR5		
15.	804-022C	WASHER LOCK SPRING 5/8 PLT		
16.	802-143C	HHCS 3/8-16X2 GR5		
17.	803-014C	NUT HEX 3/8-16 PLT		
18.	307-109V	SPRING ROD FRONT W/NUT		
19.	807-005C	SPRING DISC ARM		
20.	307-064D	60 CAST WHEEL SPACER TUBE		
21.	803-025C	NUT HEX 3/4-10 PLT NYLOCK		
22.	890-151C	WELD STUD 3/8 X 1 1/4	Welding Required	

Decal Placement

Applies to SP2572, SP2584



Decal Placement**Applies to SP2572, SP2584**

Ref	Part No.	Part Description	Comments	Revision
	Dwg 10876	Drawing Image Number		
	307-064A	SP1548 BUCKSKIN W/DECALS		
	307-069A	SP1556 BUCKSKIN W/DECALS		
	307-074A	SP1560 BUCKSKIN W/DECALS		
	307-079A	SP1572 BUCKSKIN W/DECALS		
	307-084A	SP2572 BUCKSKIN W/DECALS		
	307-089A	SP2584 BUCKSKIN W/DECALS		
	307-089A	SP2584 BUCKSKIN W/DECALS		
		*		
1.	818-087C	DECAL 48 LP - BLACK		
2.	818-089C	DECAL 56 LP - BLACK		
3.	818-090C	DECAL 60 LP - BLACK		
4.	818-092C	DECAL 72 LP - BLACK	Obsolete	
5.	818-094C	DECAL 84 LP - BLACK		
6.	818-085C	N/A	Obsolete	
7.	818-084C	DECAL 15 SERIES LP - BLACK	Obsolete	
8.	818-164C	LP LOGO SMALL GREEN		
9.	818-162C	LP LOGO LARGE GREEN		
10.	838-517C	DECAL QUICK HITCH SYSTEM		

Land Pride Touch-up Paints

Applies to SP2572, SP2584

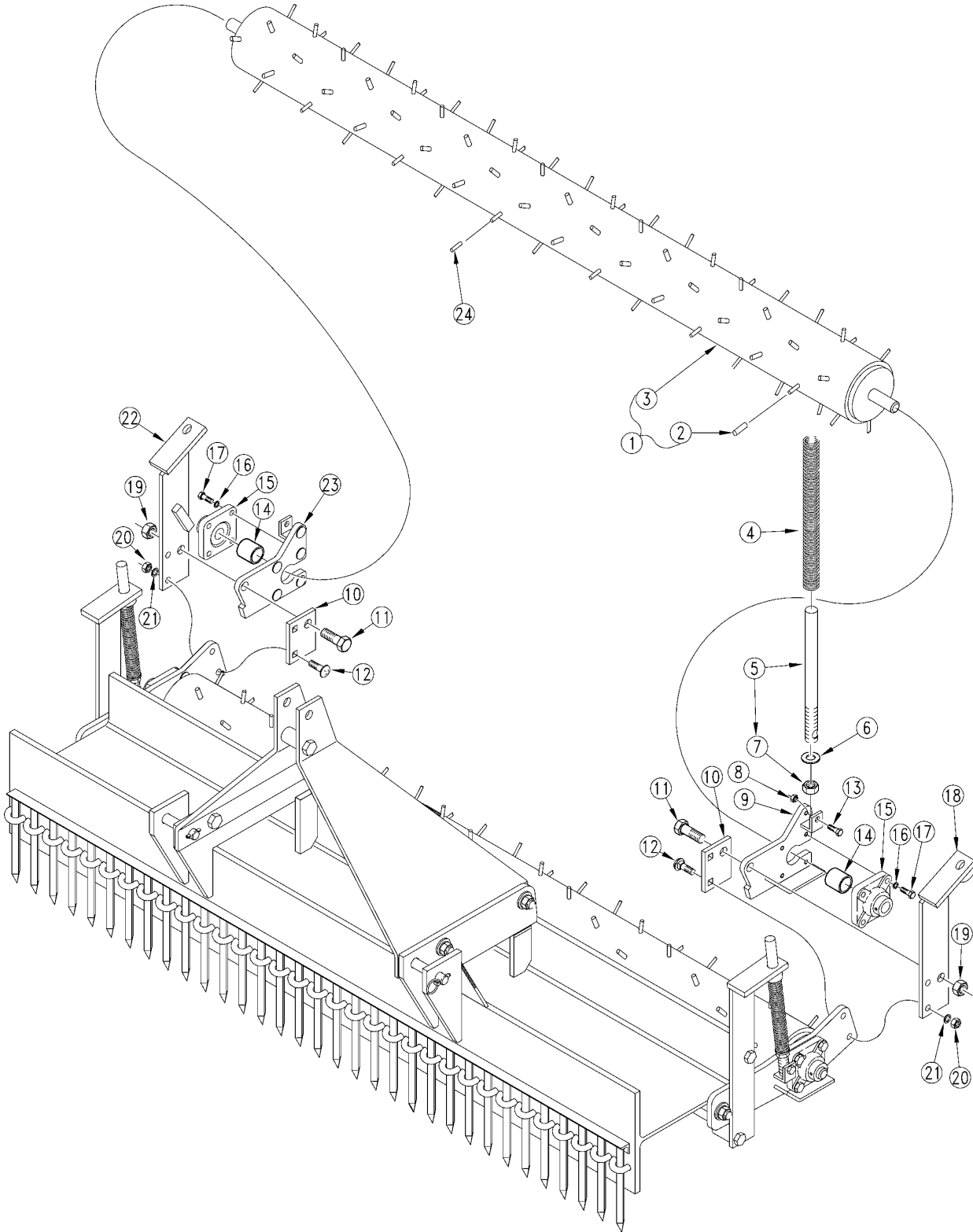
No diagram associated with this Parts List

Land Pride Touch-up Paints**Applies to SP2572, SP2584**

Ref	Part No.	Part Description	Comments	Revision
1.	821-011C	LP BEIGE SPRAY CAN	Spray can	
1.	821-070C	GLOSS BLACK SPRAY CAN	Spray can	
1.	821-054C	MED. RED SPRAY TRCK/CTR	Spray can	
1.	821-058C	GREEN SPRAY CUTTERS	Spray can	
1.	821-066C	ORANGE SPRAY CAN	Spray can	
1.	821-067C	BLUE SPRAY CAN	Spray can	
1.	821-080C	PAINT ALUMINUM/ZINC SPRAY CAN	Spray can	
2.	821-011CTU	LP BEIGE TOUCH-UP 5OZ	Touch-up bottle with brush	
2.	821-070CTU	GLOSS BLACK TOUCH-UP 5OZ	Touch-up bottle with brush	
2.	821-054CTU	MED RED TOUCH-UP 5OZ	Touch-up bottle with brush	
2.	821-058CTU	GREEN TOUCH-UP 5OZ	Touch-up bottle with brush	
2.	821-066CTU	ORANGE TOUCH-UP 5OZ	Touch-up bottle with brush	
2.	821-067CTU	BLUE TOUCH-UP 5OZ	Touch-up bottle with brush	
2.	821-080CTU	PAINT ALUMINUM/ZINC TOUCH UP	Touch-up bottle with brush	
3.	821-011CQT	LP BEIGE QUART	Quart can	
3.	821-070CQT	GLOSS BLACK QUART	Quart can	
3.	821-054CQT	MED RED QUART	Quart can	
3.	821-058CQT	GREEN QUART	Quart can	
3.	821-066CQT	ORANGE QUART	Quart can	
3.	821-067CQT	BLUE QUART	Quart can	
3.	821-080CQT	PAINT ALUMINUM/ZINC QUART	Quart can	
4.	821-011CGL	LP BEIGE GALLON	Gallon can	
4.	821-070CGL	GLOSS BLACK GALLON	Gallon can	
4.	821-054CGL	MED RED GALLON	Gallon can	
4.	821-058CGL	GREEN GALLON	Gallon can	
4.	821-066CGL	ORANGE GALLON	Gallon can	
4.	821-067CGL	BLUE GALLON	Gallon can	
4.	821-080CGL	PAINT ALUMINUM/ZINC GALLON	Gallon can	

Dual Roller (Part 2)

Applies to SP2572, SP2584



10871

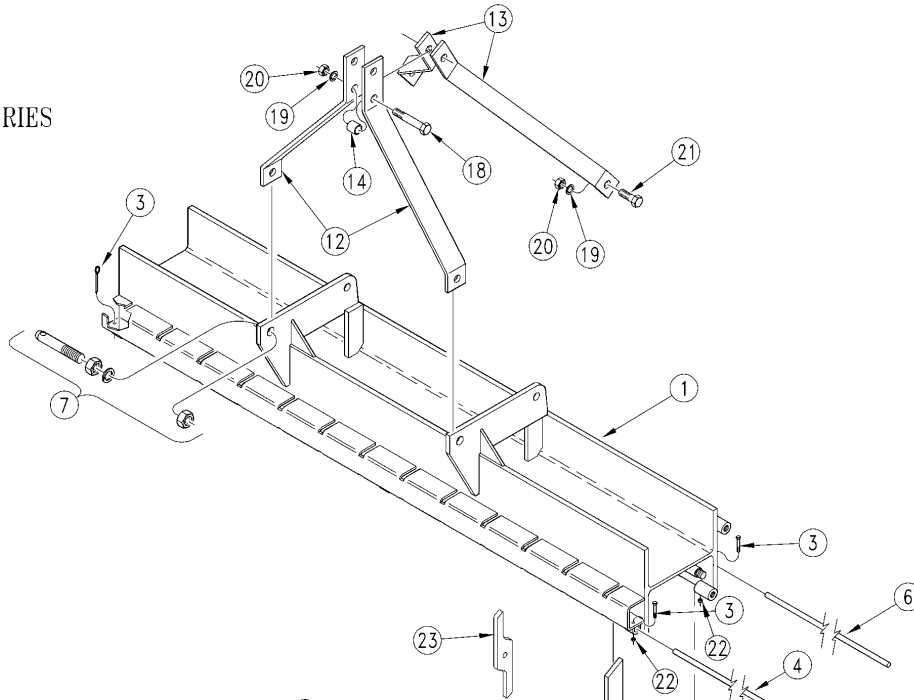
Dual Roller (Part 2)**Applies to SP2572, SP2584**

Ref	Part No.	Part Description	Comments	Revision
		Image Reference: 10871		
	307-097A	2572 REAR ROLLER ADD-ON	Includes one of items 1; 9; 18; 22 and 23 two of items 4 through 8; 10; 11; ; 13; 14; 15 and 19; four of items 16; 17; 20 and 21 and eight of items 16 and 17.	
	307-098A	2584 REAR ROLLER ADD-ON	Includes one of items 1; 9; 18; 22 and 23 two of items 4 through 8; 10; 11; ; 13; 14; 15 and 19; four of items 16; 17; 20 and 21 and eight of items 16 and 17.	
1.	307-093S	72 ROLLER ASSY W/SLEEVES STD	Includes one of item 3 part no. 307-011H and 103 of item 2.	
1.	307-096S	84 REAR ROLLER ASSY W/SLEEVES	Includes one of item 3 part no. 307-059H and 116 of item 2.	
2.	890-152C	SLEEVE 3/8 PIN-WEAR		
3.	307-011H	72 ROLLER WELDMENT STD		
3.	307-059H	84 REAR ROLLER		
4.	807-042C	SPRING REAR ROLLER		
5.	307-110V	SPRING ROD REAR W/NUT		
6.	804-024C	WASHER FLAT 3/4 USS PLT		
7.	803-025C	NUT HEX 3/4-10 PLT NYLOCK		
8.	803-014C	NUT HEX 3/8-16 PLT		
9.	307-020H	LH REAR ROLLER MTG		
10.	307-047D	REAR ROLLER INSIDE PIVOT		
11.	802-064C	HHCS 3/4-10X2 GR5		
12.	802-129C	RHSNB 1/2-13X2 GR5		
13.	802-143C	HHCS 3/8-16X2 GR5		
14.	307-064D	60 CAST WHEEL SPACER TUBE		
15.	822-085C	BEARING 1 BORE X 4 BOLT		
16.	804-013C	WASHER LOCK SPRING 3/8 PLT		
17.	802-079C	HHCS 3/8-16X1 1/4 GR5		
18.	307-016H	LH REAR SPRING MTG		
19.	803-026C	NUT LOCK 3/4-10 PLT		
20.	803-020C	NUT HEX 1/2-13 PLT		
21.	804-015C	WASHER LOCK SPRING 1/2 PLT		
22.	307-015H	RH REAR SPRING MTG		
23.	307-019H	RH REAR ROLLER MTG		
24.	890-151C	WELD STUD 3/8 X 1 1/4	Welding Required	

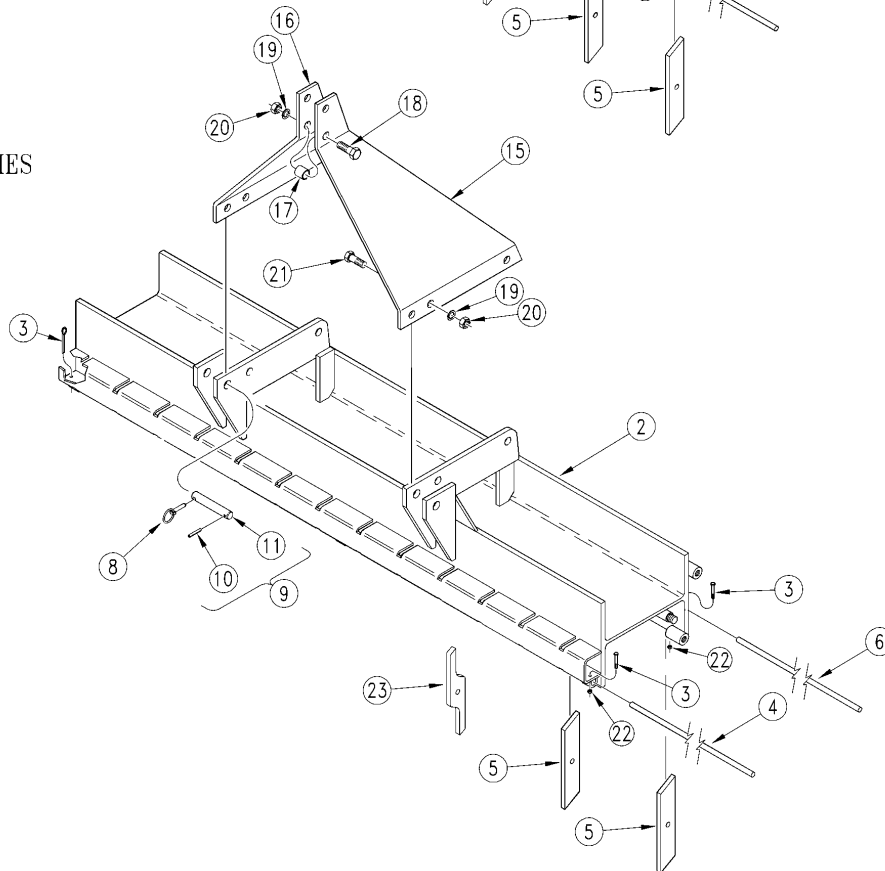
Frame And Hitch S/N 191837 to 645117

Applies to SP3072, SP3084

20 SERIES



30 SERIES



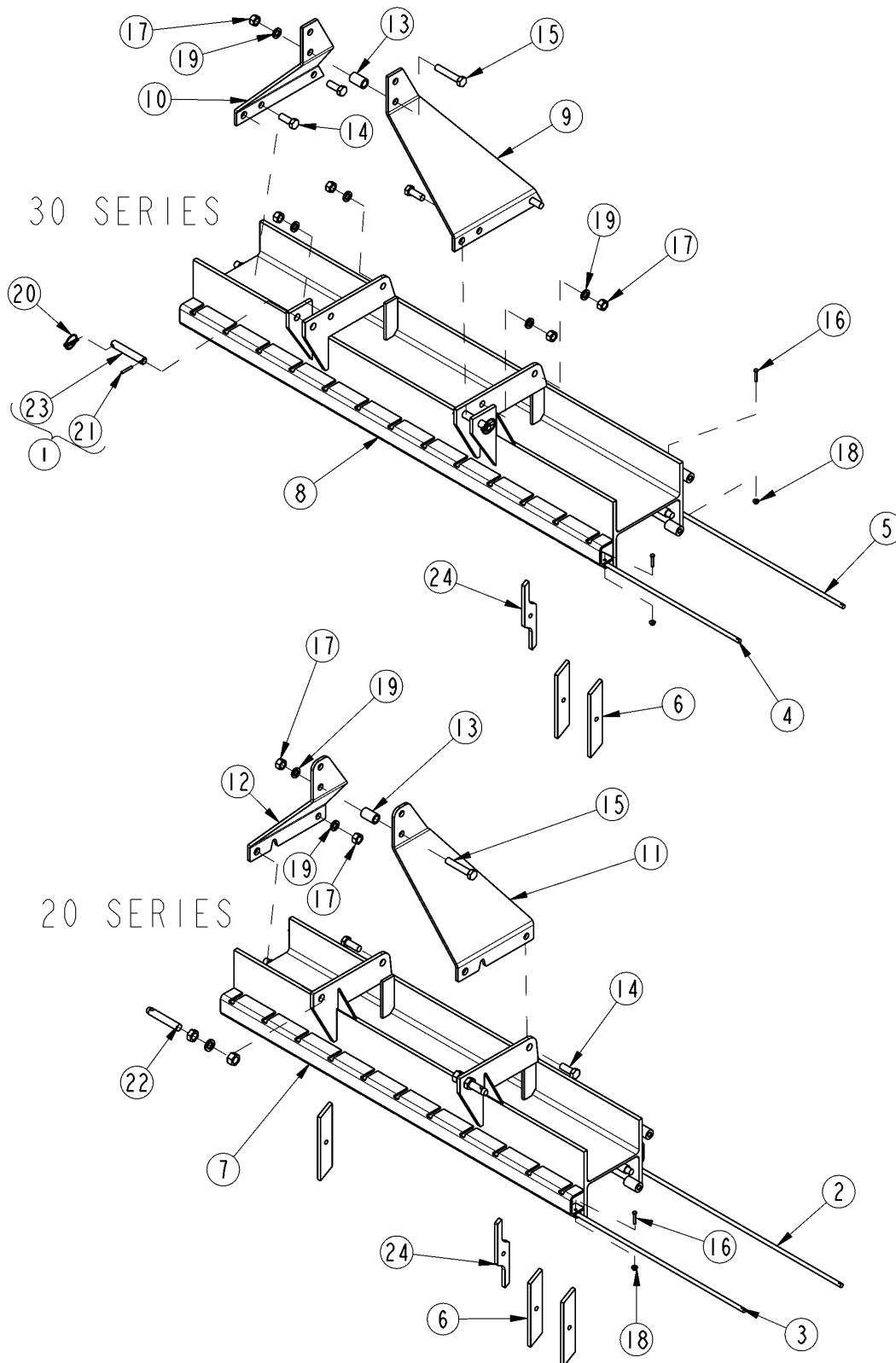
15595

Frame And Hitch S/N 191837 to 645117**Applies to SP3072, SP3084**

Ref	Part No.	Part Description	Comments	Revision
	dwg15595	Drawing Image Number		
1.	307-111H	SP2048 FRAME WELDMENT		
1.	307-112H	SP2056 FRAME WELDMENT		
1.	307-113H	SP2060 FRAME WELDMENT		
1.	307-113H82	SP2060 FRAME WELDMENT ORANGE		
1.	307-114H	SP2072 FRAME WELDMENT		
1.	307-114H82	SP2072 FRAME WELDMENT ORANGE		
2.	307-115H	SP3072 FRAME WELDMENT		
2.	307-115H82	SP3072 FRAME WELDMENT ORANGE		
2.	307-116H	SP3084 FRAME WELDMENT		
2.	307-116H82	SP3084 FRAME WELDMENT ORANGE		
3.	802-167C	HHCS 1/4-20X1 1/2 GR5	(S/N 0196715+ on SP20 models) (S/N 0196779+ on SP30 models)	Rev. 2
3.	805-247C	PIN COTTER 1/4 X 1 3/4 LG PLT	(S/N 0196714- on SP20 models) (S/N 0196778- on SP30 models)	Rev 1; Use up stock
4.	307-087D	48 FRONT/56 REAR LOCKING ROD		
4.	307-089D	56 FRONT/60 REAR LOCKING ROD		
4.	307-090D	60 FRONT LOCKING ROD		
4.	307-091D	72 FRONT LOCKING ROD		
4.	307-093D	84 FRONT LOCKING ROD		
5.	307-095D	PULVERIZER SHANK REVERSIBLE		
6.	307-088D	48 REAR LOCKING ROD		
6.	307-087D	48 FRONT/56 REAR LOCKING ROD		
6.	307-089D	56 FRONT/60 REAR LOCKING ROD		
6.	307-092D	72 REAR LOCKING ROD		
6.	307-094D	84 REAR LOCKING ROD		
7.	805-111C	PIN DRAW 7/8 X 5		
8.	805-015C	PIN LYNCH 5/16 X 1 3/4		
9.	303-017S	LOWER HITCH PIN 7/8 X 5 5/8		
10.	805-041C	PIN ROLL 1/4X1 3/4		
11.	805-207C	PIN 7/8 OD X 4 15/32 USABLE		
12.	322-010D	DISC UPPER 3PT STRAP SHORT	(S/N 280233+)	Rev. 2 not compat. w/Rev. 1.
12.	322-010D82	UPPER 3PNT STRAP SHORT ORANGE		
12.	303-036D	48 HITCH STRAP	(S/N 280232-)	Rev. 1
13.	307-110D	SP20 UPPER 3 PT REAR BRACE	(S/N 280233+)	Rev. 2 not compat. w/Rev. 1.
13.	307-110D82	SP20 UPPR 3PT REAR BRCE ORANGE		
13.	307-052D	HITCH BRACE STANDARD	(S/N 280232-)	Rev. 1
14.	307-111D	SPCR 1 1/4ODX7/32WLX1.5LG PLT	(S/N 280233+)	Rev. 2 not compat. w/Rev. 1.
14.	303-037D	TOP HITCH SPACER	(S/N 280232-)	Rev. 1
15.	307-119D	SP & SPS LH HITCH PLATE	(S/N 309409+)	Rev. 2
15.	307-119D82	SP & SPS LH HITCH PLATE ORANGE		
15.	307-050D	LH HITCH PLATE	(S/N 309408-)	Rev 1; Use up stock
16.	307-120D	SP & SPS RH HITCH PLATE	(S/N 309409+)	Rev. 2
16.	307-120D82	SP & SPS RH HITCH PLATE ORANGE		
16.	307-051D	RH HITCH PLATE	(S/N 309408-)	Rev 1; Use up stock
17.	307-068D	HITCH SPACER - HEAVY		
18.	802-192C	HHCS 3/4-10X4 1/2 GR5	(S/N 280233+)	Rev. 2 not compat. w/Rev. 1.
18.	802-068C	HHCS 3/4-10X4 GR5	(S/N 280232-)	Rev. 1
19.	804-023C	WASHER LOCK SPRING 3/4 PLT		
20.	803-027C	NUT HEX 3/4-10 PLT		
21.	802-064C	HHCS 3/4-10X2 GR5		
22.	803-088C	NUT HEX LOCK 1/4-20 FLG	(S/N 0196715+ on SP20 models) (S/N 0196779+ on SP30 models)	
23.	834-085C	PULV SHANK HT NARROW/RVRSBL	Optional shank	

Frame and Hitch S/N 645118+

Applies to SP3072, SP3084



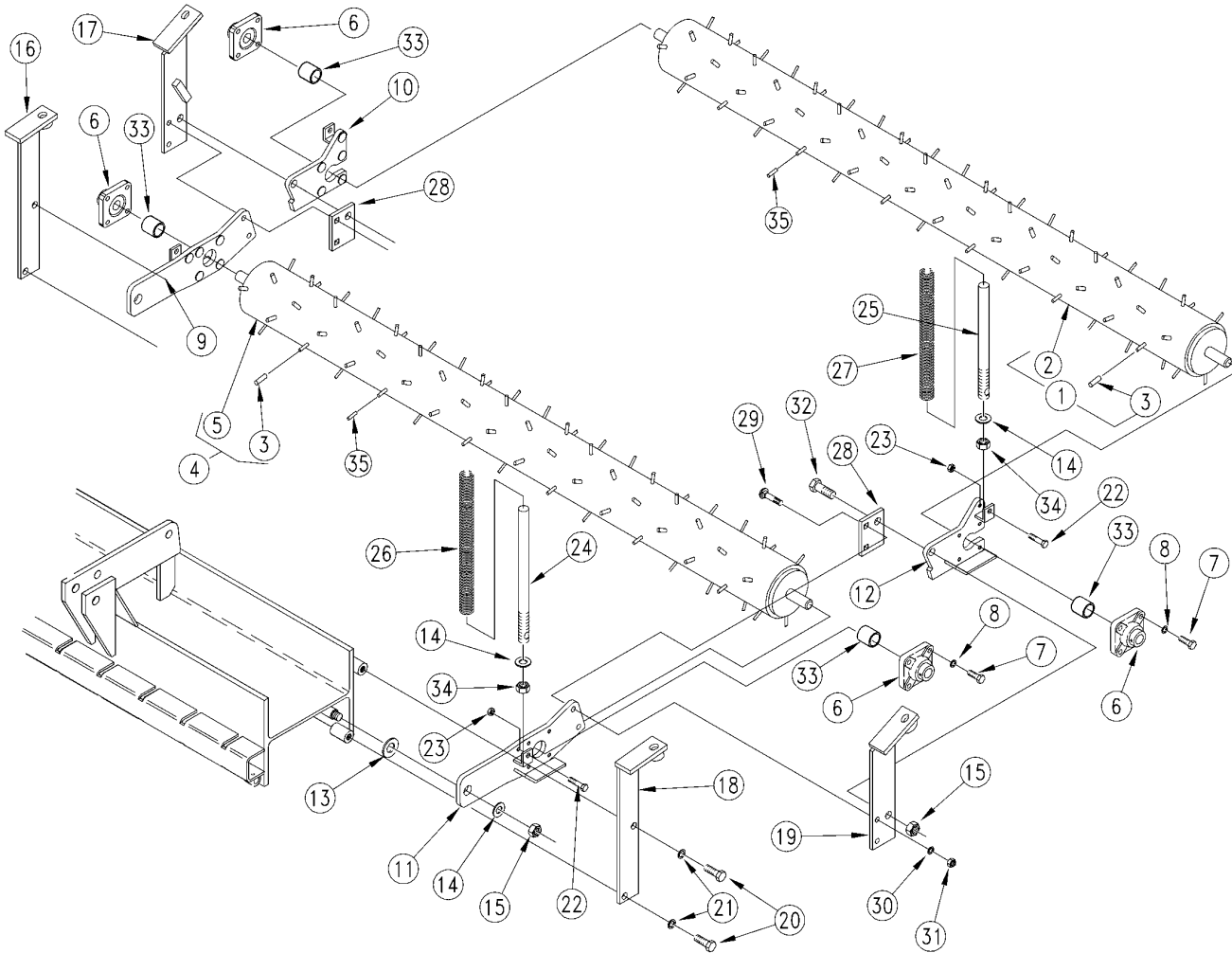
30116

Frame and Hitch S/N 645118+**Applies to SP3072, SP3084**

Ref	Part No.	Part Description	Comments	Revision
	dwg30116	Drawing Image Number		
1.	303-017S	LOWER HITCH PIN 7/8 X 5 5/8		
2.	307-089D	60 REAR LOCKING ROD		
2.	307-092D	72 REAR LOCKING ROD		
3.	307-090D	60 FRONT LOCKING ROD		
3.	307-091D	72 FRONT LOCKING ROD		
4.	307-091D	72 FRONT LOCKING ROD		
4.	307-093D	84 FRONT LOCKING ROD		
5.	307-092D	72 REAR LOCKING ROD		
5.	307-094D	84 REAR LOCKING ROD		
6.	307-095D	PULVERIZER SHANK REVERSIBLE		
7.	307-113H	SP2060 FRAME WELDMENT		
7.	307-113H82	SP2060 FRAME WELDMENT ORANGE		
7.	307-114H	SP2072 FRAME WELDMENT		
7.	307-114H82	SP2072 FRAME WELDMENT ORANGE		
8.	307-115H	SP3072 FRAME WELDMENT		
8.	307-115H82	SP3072 FRAME WELDMENT ORANGE		
8.	307-116H	SP3084 FRAME WELDMENT		
8.	307-116H82	SP3084 FRAME WELDMENT ORANGE		
9.	307-119D	SP & SPS LH HITCH PLATE		
9.	307-119D82	SP & SPS LH HITCH PLATE ORANGE		
10.	307-120D	SP & SPS RH HITCH PLATE		
10.	307-120D82	SP & SPS RH HITCH PLATE ORANGE		
11.	307-121D	PLATE, SP 20SERIES LH HITCH		
11.	307-121D82	PLATE, ORANGE SP20 LH HITCH		
12.	307-122D	PLATE, SP 20SERIES RH HITCH		
12.	307-122D82	PLATE, ORANGE SP20 RH HITCH		
13.	308-400D	SPACER 1 1/4OD X 13/16ID X 2LG		
14.	802-064C	HHCS 3/4-10X2 GR5		
15.	802-068C	HHCS 3/4-10X4 GR5		
16.	802-167C	HHCS 1/4-20X1 1/2 GR5		
17.	803-027C	NUT HEX 3/4-10 PLT		
18.	803-088C	NUT HEX LOCK 1/4-20 FLG		
19.	804-023C	WASHER LOCK SPRING 3/4 PLT		
20.	805-015C	PIN LINCH 5/16 X 1 3/4		
21.	805-041C	PIN ROLL 1/4X1 3/4		
22.	805-111C	PIN DRAW 7/8 X 5		
23.	805-207C	PIN 7/8 OD X 4 15/32 USABLE		
24.	834-085C	PULV SHANK HT NARROW/RVRSBL	Optional Shank	

Dual Roller (S/N 254299-)

Applies to SP3072, SP3084



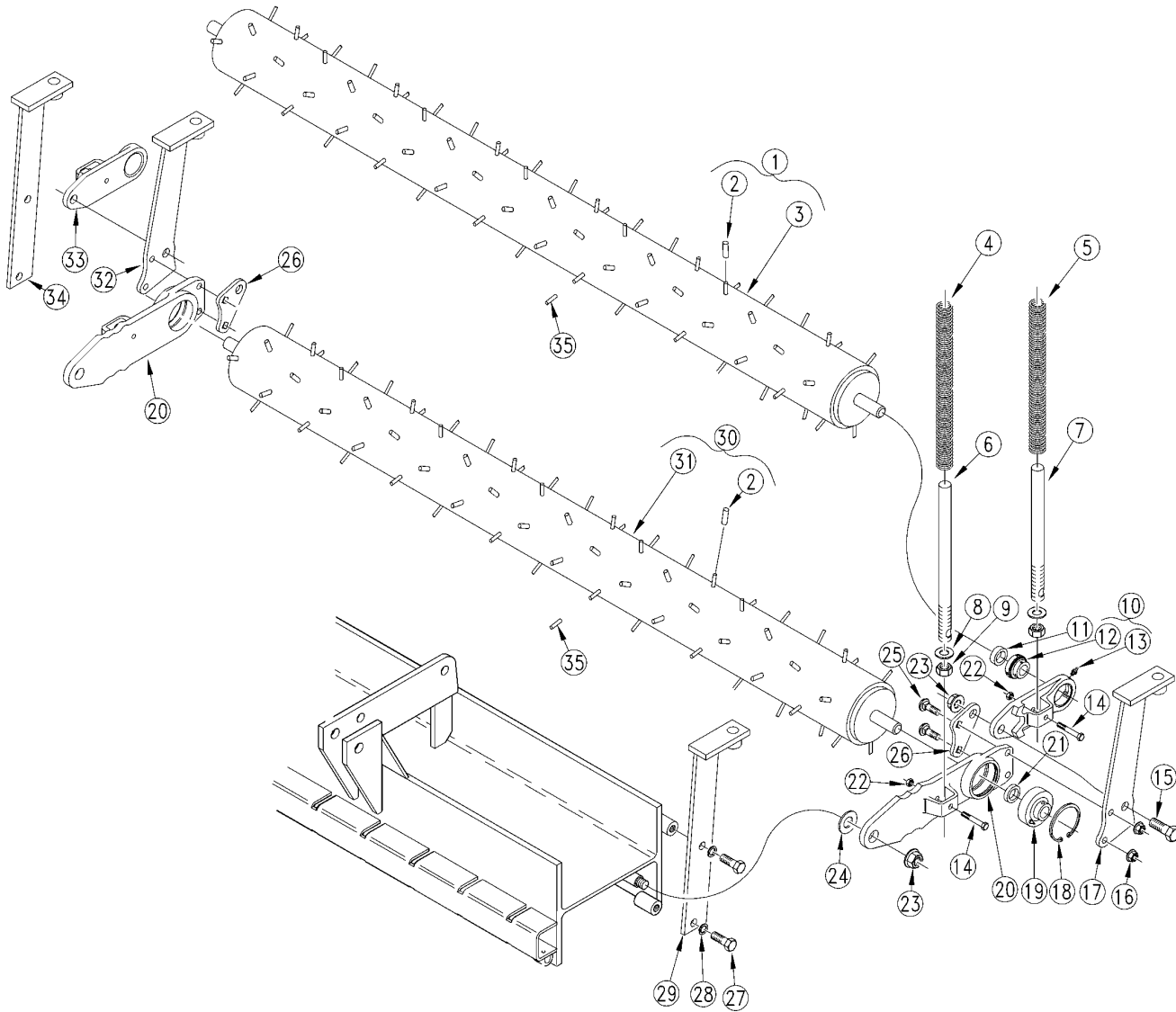
15657

Dual Roller (S/N 254299-)**Applies to SP3072, SP3084**

Ref	Part No.	Part Description	Comments	Revision
		Image Reference: 15657		
1.	307-093S	72 ROLLER ASSY W/SLEEVES STD		
1.	307-096S	84 REAR ROLLER ASSY W/SLEEVES		
2.	307-011H	72 ROLLER WELDMENT STD		
2.	307-059H	84 REAR ROLLER		
3.	890-152C	SLEEVE 3/8 PIN-WEAR		
4.	307-094S	72 ROLLER ASSY W/SLEEVES HVY		
4.	307-095S	84 ROLLER ASSY W/SLEEVES HVY		
5.	307-012H	72 ROLLER WELDMENT - HEAVY		
5.	307-013H	84 ROLLER WELDMENT HEAVY		
6.	822-085C	BEARING 1 BORE X 4 BOLT		
7.	802-079C	HHCS 3/8-16X1 1/4 GR5		
8.	804-013C	WASHER LOCK SPRING 3/8 PLT		
9.	307-018H	RH FRONT ARM DUAL ROLLER		
10.	307-019H	RH REAR ROLLER MTG		
11.	307-017H	LH FRONT ARM DUAL ROLLER		
12.	307-020H	LH REAR ROLLER MTG		
13.	804-029C	WASHER FLAT 1 SAE		
14.	804-024C	WASHER FLAT 3/4 USS PLT		
15.	803-026C	NUT LOCK 3/4-10 PLT		
16.	307-005H	RH SPRING RETAINER		
17.	307-015H	RH REAR SPRING MTG		
18.	307-006H	LH SPRING RETAINER		
19.	307-016H	LH REAR SPRING MTG		
20.	802-050C	HHCS 5/8-11X1 1/4 GR5		
21.	804-022C	WASHER LOCK SPRING 5/8 PLT		
22.	802-143C	HHCS 3/8-16X2 GR5		
23.	803-014C	NUT HEX 3/8-16 PLT		
24.	307-109V	SPRING ROD FRONT W/NUT		
25.	307-110V	SPRING ROD REAR W/NUT		
26.	807-005C	SPRING DISC ARM		
27.	807-042C	SPRING REAR ROLLER		
28.	307-047D	REAR ROLLER INSIDE PIVOT		
29.	802-129C	RHSNB 1/2-13X2 GR5		
30.	804-015C	WASHER LOCK SPRING 1/2 PLT		
31.	803-020C	NUT HEX 1/2-13 PLT		
32.	802-064C	HHCS 3/4-10X2 GR5		
33.	307-064D	60 CAST WHEEL SPACER TUBE		
34.	803-025C	NUT HEX 3/4-10 PLT NYLOCK		
35.	890-151C	WELD STUD 3/8 X 1 1/4	Welding Required	

Dual Roller (S/N 254300 to 695422)

Applies to SP3072, SP3084



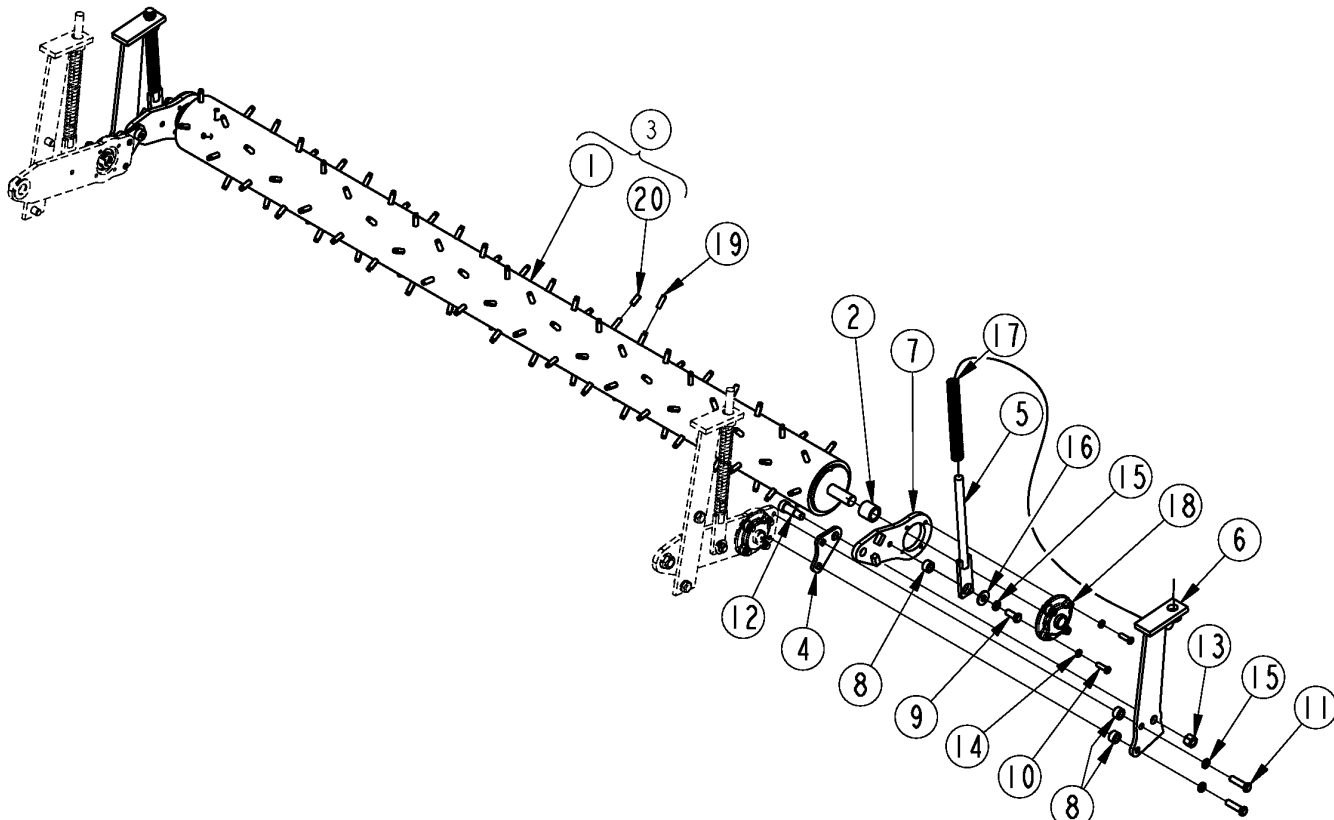
17711

Dual Roller (S/N 254300 to 695422)**Applies to SP3072, SP3084**

Ref	Part No.	Part Description	Comments	Revision
		Image Reference: 17711		
1.	307-093S	72 ROLLER ASSY W/SLEEVES STD		
1.	307-096S	84 REAR ROLLER ASSY W/SLEEVES		
2.	890-152C	SLEEVE 3/8 PIN-WEAR		
3.	307-011H	72 ROLLER WELDMENT STD		
3.	307-059H	84 REAR ROLLER		
4.	807-005C	SPRING DISC ARM		
5.	807-042C	SPRING REAR ROLLER		
6.	307-167V	PULV. SPRING ROD FRONT W/NUT		
7.	307-168V	PULV. SPRING ROD REAR W/NUT		
8.	804-024C	WASHER FLAT 3/4 USS PLT		
9.	803-025C	NUT HEX 3/4-10 PLT NYLOCK		
10.	307-148V	PULVERIZER REAR ARM LH W/BRG		
11.	307-107D	REAR ROLLER SPACER 7/16 WIDE		
12.	822-177C	BRG 1BORE,52MM SPHERE OD TRPL		
13.	800-001C	GREASE ZERK STRAIGHT 1/4-28		
14.	802-382C	HHCS 3/8-16X2 1/4 GR5		
15.	802-064C	HHCS 3/4-10X2 GR5		
16.	803-169C	NUT HEX FLG. LOCK 1/2-13 PLT.		
17.	307-152H	PULV. LH REAR TOWER WELDMENT		
18.	800-053C	SNAP RING INT3.523OD N5000-315		
19.	822-172C	BRG SPHERE 1ID W/CST HS 3.14OD		
20.	307-149V	RPBY 313-515A OR 313-516A	Obsolete	
20.	307-100D	RPBY 307-213A	Obsolete	
21.	307-101D	FRONT ROLLER SPACER 11/32 WIDE		
22.	803-013C	NUT LOCK 3/8-16 PLT		
23.	803-181C	NUT HEX FLANGE LOCK 3/4-10 PLT	S/N 1136689+	
23.	803-299C	NUT HEX FLG TOP LK 3/4-10 PLT	S/N 1136688-	
24.	804-029C	WASHER FLAT 1 SAE		
25.	802-331C	RHSNB 1/2-13X1 3/4 GR5		
26.	307-104D	REAR ROLLER BACKING PLATE		
27.	802-050C	HHCS 5/8-11X1 1/4 GR5		
28.	804-022C	WASHER LOCK SPRING 5/8 PLT		
29.	307-151H	PULV. LH FRONT TOWER WELDMENT		
30.	307-094S	72 ROLLER ASSY W/SLEEVES HVY		
30.	307-095S	84 ROLLER ASSY W/SLEEVES HVY		
31.	307-012H	72 ROLLER WELDMENT - HEAVY		
31.	307-013H	84 ROLLER WELDMENT HEAVY		
32.	307-153H	PULV. RH REAR TOWER WELDMENT		
33.	307-154V	PULVERIZER REAR ARM RH W/BRG		
34.	307-150H	PULV. RH FRONT TOWER WELDMENT		
35.	890-151C	WELD STUD 3/8 X 1 1/4	Welding Required	

Dual Roller S/N 695423+

Applies to SP3072, SP3084



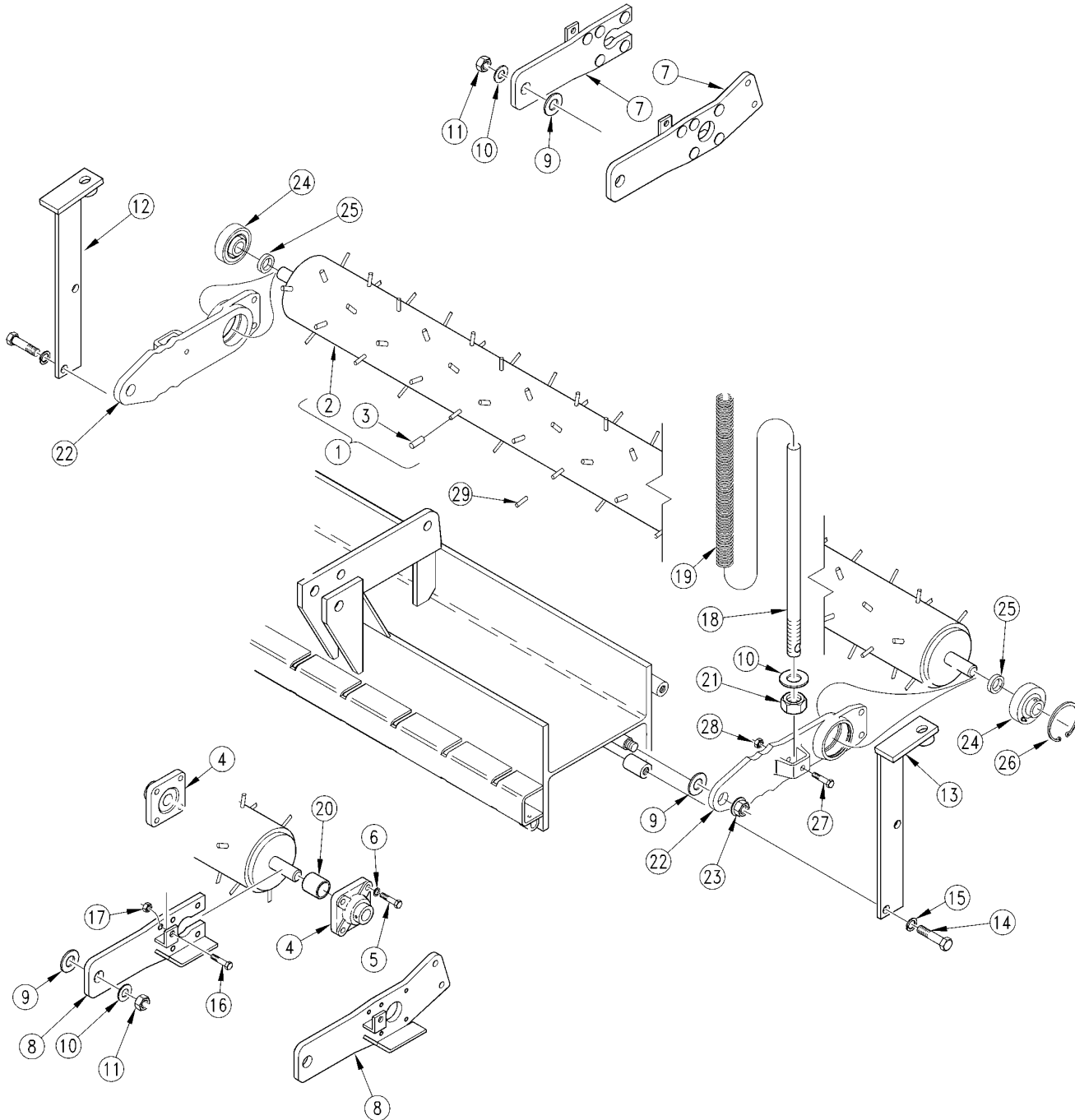
BUSHINGS ARE 307-124D AT S/N 804195-
BUSHINGS ARE 313-804D AT S/N 804196+

Dual Roller S/N 695423+**Applies to SP3072, SP3084**

Ref	Part No.	Part Description	Comments	Revision
	Dwg 33582	Drawing Image Number		
1.	307-059H	84 REAR ROLLER		
1.	307-011H	72 ROLLER WELDMENT STD		
2.	307-061D	CAST WHEEL STANDARD TUBE		
3.	307-096S	84 REAR ROLLER ASSY W/SLEEVES		
3.	307-093S	72 ROLLER ASSY W/SLEEVES STD		
4.	307-104D	REAR ROLLER BACKING PLATE		
5.	307-210H	SPRING ROD WLMT SHORT		
6.	307-211H	REAR TOWER		
7.	307-212H	REAR ROLLER ARM WLDMT		
8.	313-804D	SPRING ROD BUSHING		
9.	802-034C	HHCS 1/2-13X1 1/4 GR5		
10.	802-079C	HHCS 3/8-16X1 1/4 GR5		
11.	802-128C	HHCS 1/2-13X2 GR5		
12.	802-930C	SHLDR BLT .75DX1.25L 5/8-11		
13.	803-148C	NUT HEX NYLOCK 5/8-11 PLT		
14.	804-013C	WASHER LOCK SPRING 3/8 PLT		
15.	804-015C	WASHER LOCK SPRING 1/2 PLT		
16.	804-017C	WASHER FLAT 1/2 USS PLT		
17.	807-042C	SPRING REAR ROLLER		
18.	822-326C	FLANGE BEARING 1ID X 4 BOLT	S/N 1172015+	
18.	822-249C	RPBY 822-326C	S/N 1172014-	
19.	890-151C	WELD STUD 3/8 X 1 1/4	Welding Required	
20.	890-152C	SLEEVE 3/8 PIN-WEAR		

Single Roller (S/N 695422-)

Applies to SP3072, SP3084



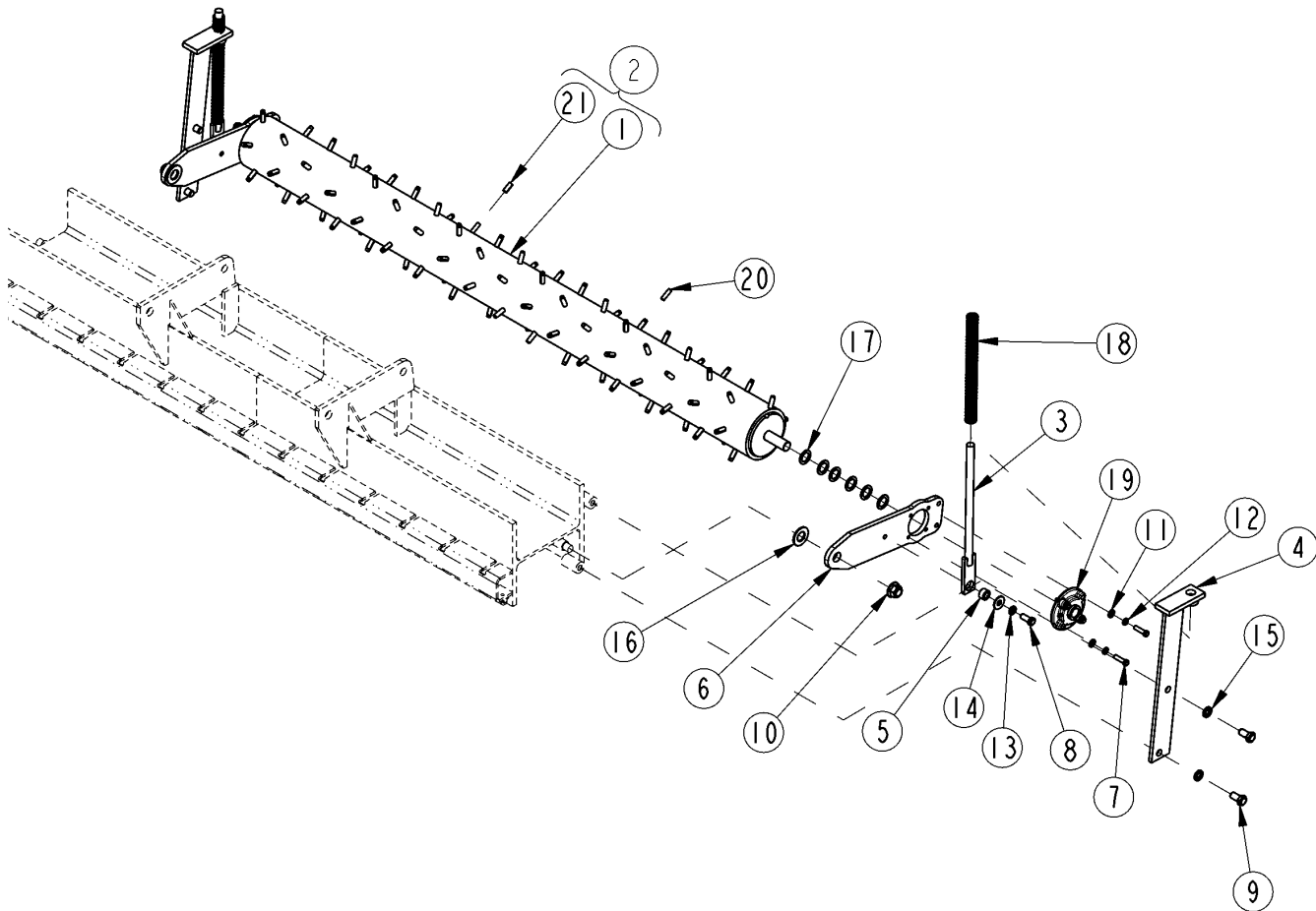
15596

Single Roller (S/N 695422-)**Applies to SP3072, SP3084**

Ref	Part No.	Part Description	Comments	Revision
		Image Reference: 15596		
1.	307-094S	72 ROLLER ASSY W/SLEEVES HVY		
1.	307-095S	84 ROLLER ASSY W/SLEEVES HVY		
2.	307-012H	72 ROLLER WELDMENT - HEAVY		
2.	307-013H	84 ROLLER WELDMENT HEAVY		
3.	890-152C	SLEEVE 3/8 PIN-WEAR		
4.	822-085C	BEARING 1 BORE X 4 BOLT	(S/N 254299-)	
5.	802-079C	HHCS 3/8-16X1 1/4 GR5	(S/N 254299-)	
6.	804-013C	WASHER LOCK SPRING 3/8 PLT	(S/N 254299-)	
7.	307-120H	SP30 RH DUAL ROLLER ARM WLDMNT	(S/N 254299-) Also used on SP30 single roller	
8.	307-119H	SP30 LH DUAL ROLLER ARM WLDMNT	(S/N 254299-) Also used on SP30 single roller	
9.	804-029C	WASHER FLAT 1 SAE		
10.	804-024C	WASHER FLAT 3/4 USS PLT	(S/N 254299-)	
11.	803-026C	NUT LOCK 3/4-10 PLT	(S/N 254299-)	
12.	307-150H	PULV. RH FRONT TOWER WELDMENT	(S/N 254300+)	Rev. 2 not compat. w/Rev. 1.
12.	307-005H	RH SPRING RETAINER	(S/N 254299-)	Rev. 1
13.	307-151H	PULV. LH FRONT TOWER WELDMENT	(S/N 254300+)	Rev. 2 not compat. w/Rev. 1.
13.	307-006H	LH SPRING RETAINER	(S/N 254299-)	Rev. 1
14.	802-050C	HHCS 5/8-11X1 1/4 GR5		
15.	804-022C	WASHER LOCK SPRING 5/8 PLT		
16.	802-143C	HHCS 3/8-16X2 GR5	(S/N 254299-)	
17.	803-014C	NUT HEX 3/8-16 PLT	(S/N 254299-)	
18.	307-167V	PULV. SPRING ROD FRONT W/NUT	(S/N 254300+)	Rev. 2 not compat. w/Rev. 1.
18.	307-109V	SPRING ROD FRONT W/NUT	(S/N 254299-)	Rev. 1
19.	807-005C	SPRING DISC ARM		
20.	307-064D	60 CAST WHEEL SPACER TUBE	(S/N 254299-)	
21.	803-025C	NUT HEX 3/4-10 PLT NYLOCK		
22.	307-149V	RPBY 313-515A OR 313-516A	Obsolete	
22.	307-100D	RPBY 307-213A	Obsolete	
23.	803-161C	NUT HEX FLANGE LOCK 3/4-10 PLT	(S/N 1136689+)	
23.	803-299C	NUT HEX FLG TOP LK 3/4-10 PLT	(S/N 254300 to 1136688)	
24.	822-172C	BRG SPHERE 1ID W/CST HS 3.14OD	(S/N 254300+)	
25.	307-101D	FRONT ROLLER SPACER 11/32 WIDE	(S/N 254300+)	
26.	800-053C	SNAP RING INT3.523OD N5000-315	(S/N 254300+)	
27.	802-382C	HHCS 3/8-16X2 1/4 GR5	(S/N 254300+)	
28.	803-013C	NUT LOCK 3/8-16 PLT	(S/N 254300+)	
29.	890-151C	WELD STUD 3/8 X 1 1/4	Welding Required	

SP30 Single Roller (S/N 695423+)

Applies to SP3072, SP3084



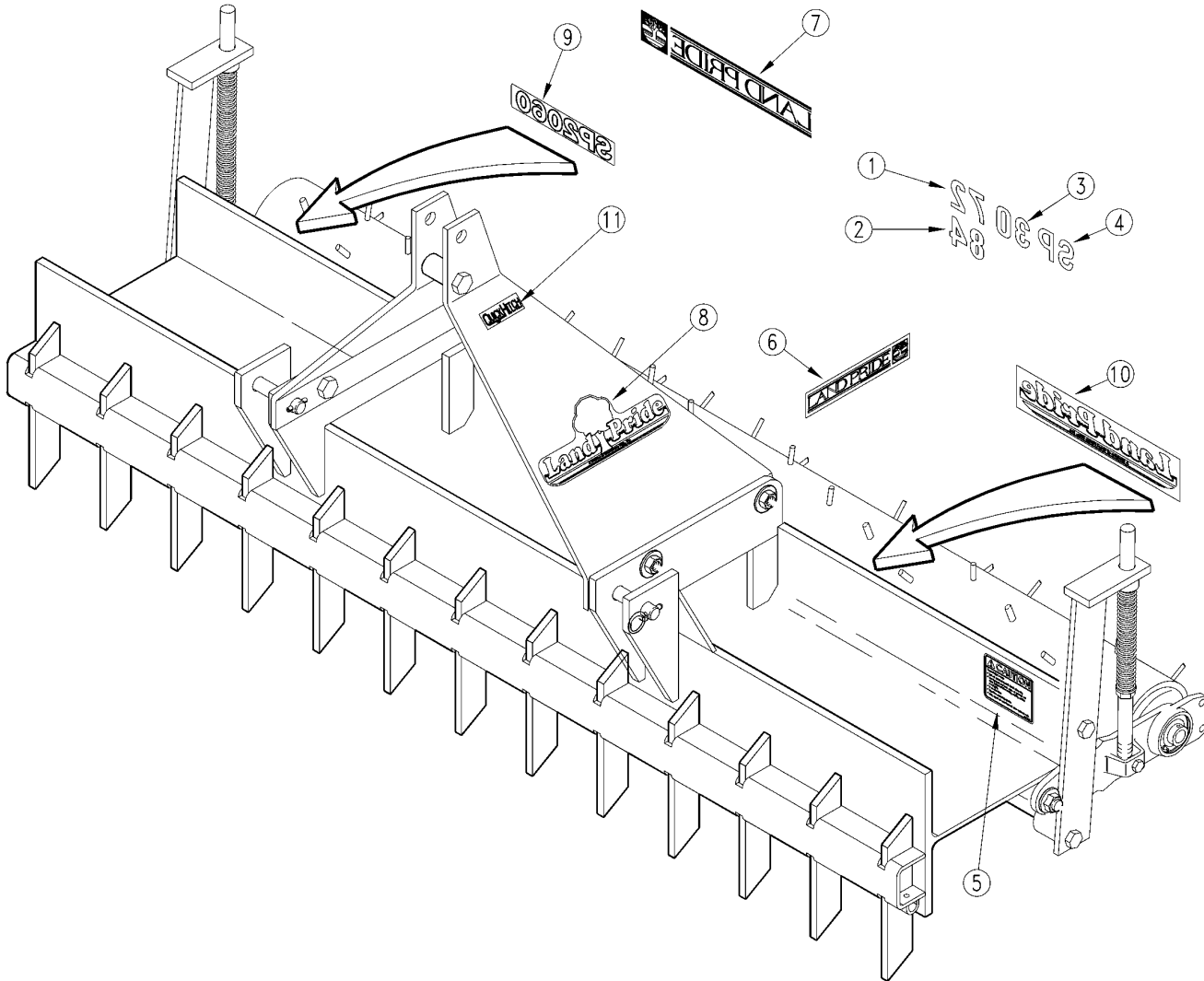
33580

SP30 Single Roller (S/N 695423+)**Applies to SP3072, SP3084**

Ref	Part No.	Part Description	Comments	Revision
	Dwg 33580	Drawing Image Number		
1.	307-012H	72 ROLLER WELDMENT - HEAVY		
1.	307-013H	84 ROLLER WELDMENT HEAVY		
2.	307-094S	72 ROLLER ASSY W/SLEEVES HVY		
2.	307-095S	84 ROLLER ASSY W/SLEEVES HVY		
3.	313-499H	SPRING ROD WELDMENT		
4.	313-501H	SPRING TOWER WELDMENT		
5.	313-804D	SPRING ROD BUSHING		
6.	313-805D	FRONT ROLLER ARM		
7.	802-022C	HHCS 3/8-16X1 1/2 GR5		
8.	802-034C	HHCS 1/2-13X1 1/4 GR5		
9.	802-050C	HHCS 5/8-11X1 1/4 GR5		
10.	803-181C	NUT HEX FLANGE LOCK 3/4-10 PLT	S/N 1136689+	
10.	803-299C	NUT HEX FLG TOP LK 3/4-10 PLT	S/N 1136688-	
11.	804-012C	WASHER FLAT 3/8 SAE PLT		
12.	804-013C	WASHER LOCK SPRING 3/8 PLT		
13.	804-015C	WASHER LOCK SPRING 1/2 PLT		
14.	804-017C	WASHER FLAT 1/2 USS PLT		
15.	804-022C	WASHER LOCK SPRING 5/8 PLT		
16.	804-029C	WASHER FLAT 1 SAE		
17.	804-192C	WASHER MACH 1.5X1.00X.075		
18.	807-005C	SPRING DISC ARM		
19.	822-326C	FLANGE BEARING 1ID X 4 BOLT	S/N 1172015+	
19.	822-249C	RPBY 822-326C	S/N 1172014-	
20.	890-151C	WELD STUD 3/8 X 1 1/4	Welding Required	
21.	890-152C	SLEEVE 3/8 PIN-WEAR		

Decal Placement

Applies to SP3072, SP3084



Decal Placement

Applies to SP3072, SP3084

Ref	Part No.	Part Description	Comments	Revision
	Dwg 33584	Drawing Image Number		
	307-143A	SP3072 DECAL BUNDLE		
	307-144A	SP3084 DECAL BUNDLE		
		*		
1.	818-092C	DECAL 72 LP - BLACK	(S/N 252462-) Obsolete	
2.	818-094C	DECAL 84 LP - BLACK	(S/N 252462-)	
3.	818-750C	DECAL 30 LAND PRIDE BLACK	(S/N 252462-)	
4.	818-747C	DECAL SP LAND PRIDE BLACK	(S/N 252462-)	
5.	818-719C	DECAL CAUTION GENERAL INSTR		
6.	818-164C	LP LOGO SMALL GREEN	(S/N 252462-)	
7.	818-162C	LP LOGO LARGE GREEN	(S/N 252462-)	
8.	818-890C	RPBY 838-963C	(S/N 252463+) Beige Unit	
8.	838-963C	DECAL LP 10" W/TREE BROWN/GOLD	Orange Unit	
9.	838-032C	DECAL SP3072-GOLD	S/N 252463+	
9.	848-209C	RPBY 838-032C	Obsolete	
9.	838-033C	DECAL SP3084-GOLD	S/N 252463+	
9.	848-210C	RPBY 838-033C	Obsolete	
10.	818-899C	RPBY 848-161C	(S/N 252463+) Beige Unit	
10.	848-161C	DECAL LANDPRIDE 13.25 BRWN/GLD		
10.	848-159C	DECAL LANDPRIDE 10" BROWN/GOLD	Orange Unit	
11.	838-517C	DECAL QUICK HITCH SYSTEM		

Land Pride Touch-up Paints

Applies to SP3072, SP3084

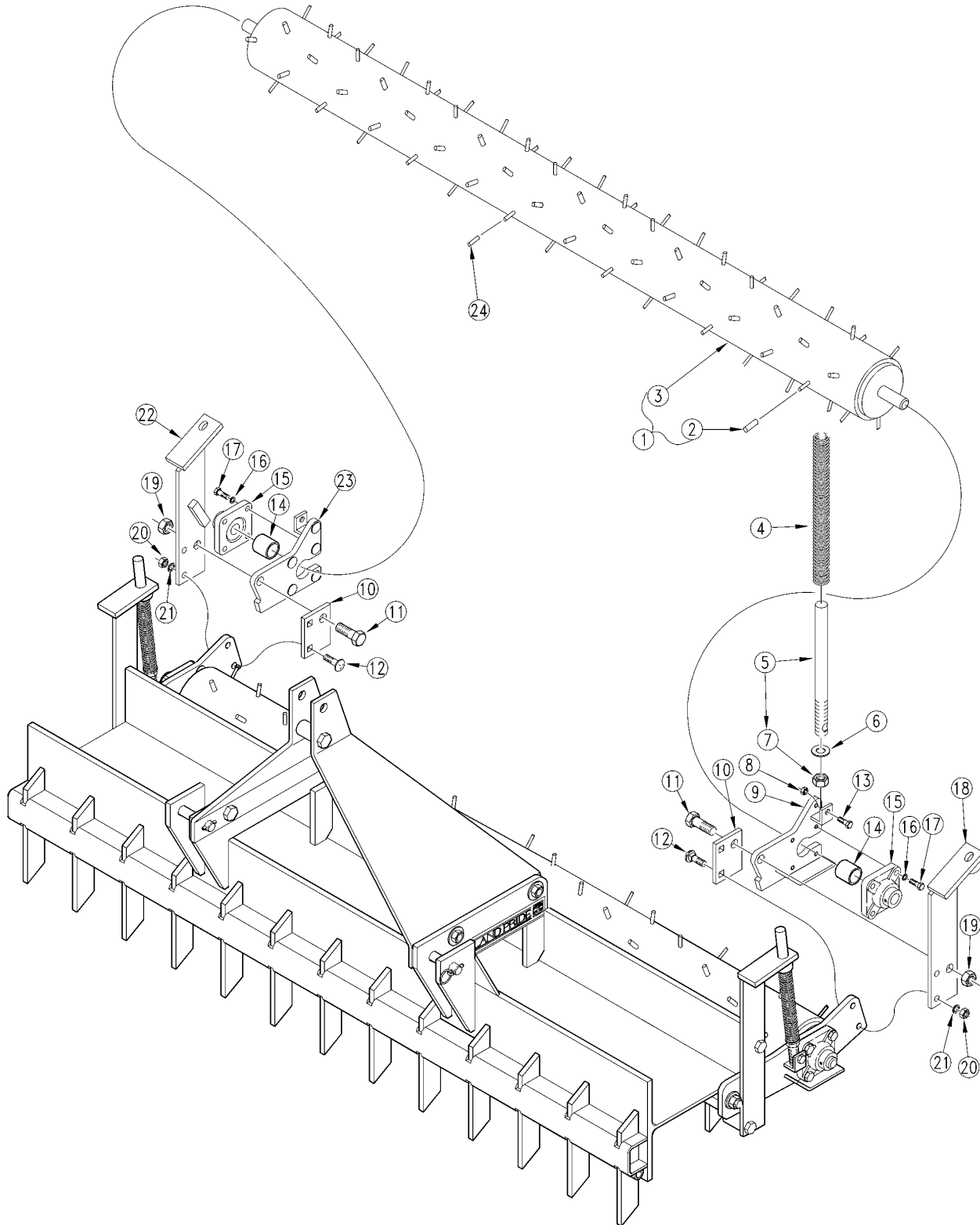
No diagram associated with this Parts List

Land Pride Touch-up Paints**Applies to SP3072, SP3084**

Ref	Part No.	Part Description	Comments	Revision
1.	821-011C	LP BEIGE SPRAY CAN	Spray can	
1.	821-070C	GLOSS BLACK SPRAY CAN	Spray can	
1.	821-054C	MED. RED SPRAY TRCK/CTR	Spray can	
1.	821-058C	GREEN SPRAY CUTTERS	Spray can	
1.	821-066C	ORANGE SPRAY CAN	Spray can	
1.	821-067C	BLUE SPRAY CAN	Spray can	
1.	821-080C	PAINT ALUMINUM/ZINC SPRAY CAN	Spray can	
2.	821-011CTU	LP BEIGE TOUCH-UP 5OZ	Touch-up bottle with brush	
2.	821-070CTU	GLOSS BLACK TOUCH-UP 5OZ	Touch-up bottle with brush	
2.	821-054CTU	MED RED TOUCH-UP 5OZ	Touch-up bottle with brush	
2.	821-058CTU	GREEN TOUCH-UP 5OZ	Touch-up bottle with brush	
2.	821-066CTU	ORANGE TOUCH-UP 5OZ	Touch-up bottle with brush	
2.	821-067CTU	BLUE TOUCH-UP 5OZ	Touch-up bottle with brush	
2.	821-080CTU	PAINT ALUMINUM/ZINC TOUCH UP	Touch-up bottle with brush	
3.	821-011CQT	LP BEIGE QUART	Quart can	
3.	821-070CQT	GLOSS BLACK QUART	Quart can	
3.	821-054CQT	MED RED QUART	Quart can	
3.	821-058CQT	GREEN QUART	Quart can	
3.	821-066CQT	ORANGE QUART	Quart can	
3.	821-067CQT	BLUE QUART	Quart can	
3.	821-080CQT	PAINT ALUMINUM/ZINC QUART	Quart can	
4.	821-011CGL	LP BEIGE GALLON	Gallon can	
4.	821-070CGL	GLOSS BLACK GALLON	Gallon can	
4.	821-054CGL	MED RED GALLON	Gallon can	
4.	821-058CGL	GREEN GALLON	Gallon can	
4.	821-066CGL	ORANGE GALLON	Gallon can	
4.	821-067CGL	BLUE GALLON	Gallon can	
4.	821-080CGL	PAINT ALUMINUM/ZINC GALLON	Gallon can	

Optional Add On Roller (S/N 254299-)

Applies to SP3072, SP3084



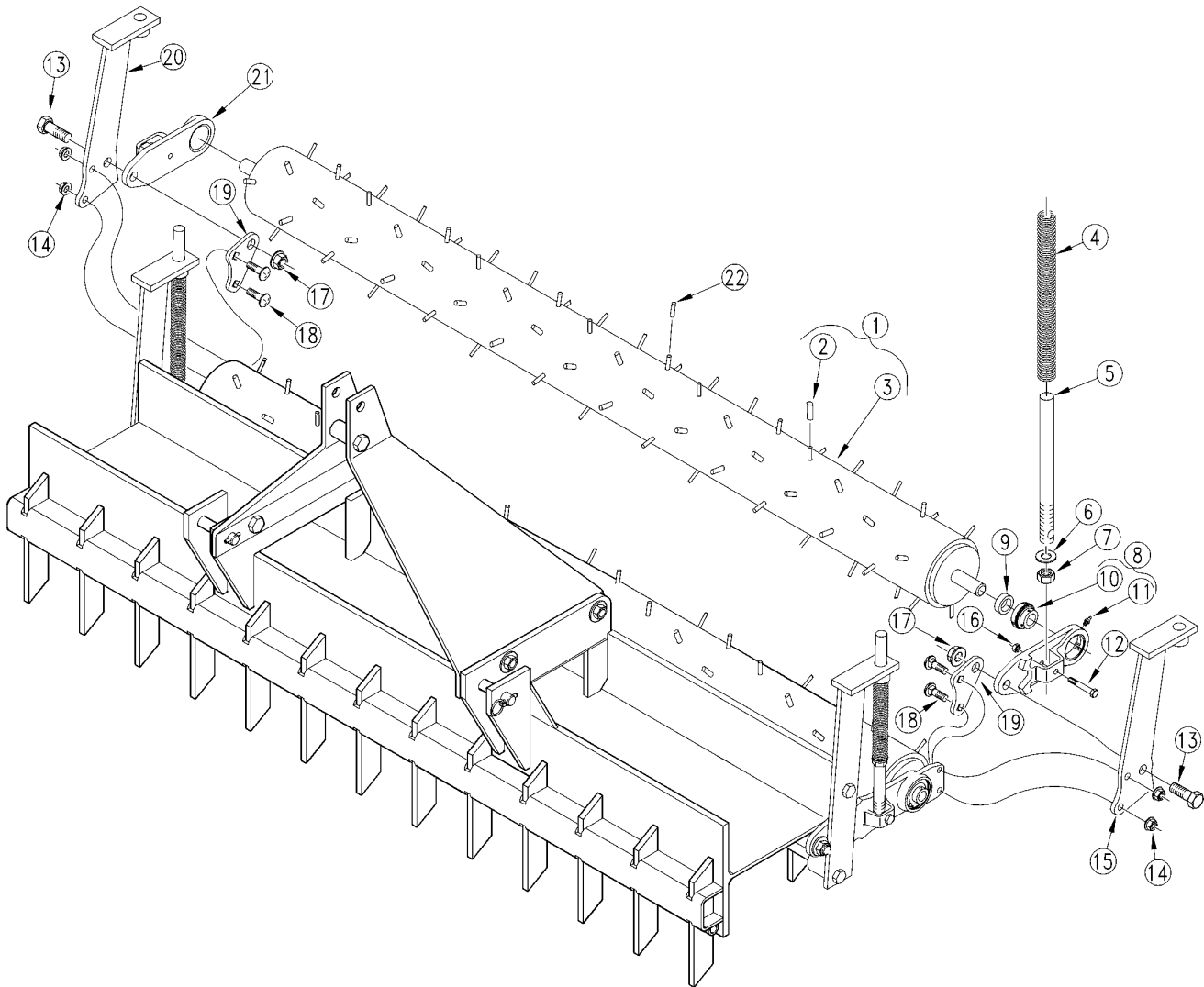
15653

Optional Add On Roller (S/N 254299-)**Applies to SP3072, SP3084**

Ref	Part No.	Part Description	Comments	Revision
		Image Reference: 15653		
	307-097A	2572 REAR ROLLER ADD-ON	Includes one of items 1; 9; 18; 22 and 23 two of items 4 through 8; 10; 11; ; 13; 14; 15 and 19; four of items 16; 17; 20 and 21 and eight of items 16 and 17.	
	307-098A	2584 REAR ROLLER ADD-ON	Includes one of items 1; 9; 18; 22 and 23 two of items 4 through 8; 10; 11; ; 13; 14; 15 and 19; four of items 16; 17; 20 and 21 and eight of items 16 and 17.	
1.	307-093S	72 ROLLER ASSY W/SLEEVES STD	Includes one of item 3 part no. 307-011H and 103 of item 2	
1.	307-096S	84 REAR ROLLER ASSY W/SLEEVES	Includes one of item 3 part no. 307-059H and 116 of item 2	
2.	890-152C	SLEEVE 3/8 PIN-WEAR		
3.	307-011H	72 ROLLER WELDMENT STD		
3.	307-059H	84 REAR ROLLER		
4.	807-042C	SPRING REAR ROLLER		
5.	307-110V	SPRING ROD REAR W/NUT		
6.	804-024C	WASHER FLAT 3/4 USS PLT		
7.	803-025C	NUT HEX 3/4-10 PLT NYLOCK		
8.	803-014C	NUT HEX 3/8-16 PLT		
9.	307-020H	LH REAR ROLLER MTG		
10.	307-047D	REAR ROLLER INSIDE PIVOT		
11.	802-064C	HHCS 3/4-10X2 GR5		
12.	802-129C	RHSNB 1/2-13X2 GR5		
13.	802-143C	HHCS 3/8-16X2 GR5		
14.	307-064D	60 CAST WHEEL SPACER TUBE		
15.	822-085C	BEARING 1 BORE X 4 BOLT		
16.	804-013C	WASHER LOCK SPRING 3/8 PLT		
17.	802-079C	HHCS 3/8-16X1 1/4 GR5		
18.	307-016H	LH REAR SPRING MTG		
19.	803-026C	NUT LOCK 3/4-10 PLT		
20.	803-020C	NUT HEX 1/2-13 PLT		
21.	804-015C	WASHER LOCK SPRING 1/2 PLT		
22.	307-015H	RH REAR SPRING MTG		
23.	307-019H	RH REAR ROLLER MTG		
24.	890-151C	WELD STUD 3/8 X 1 1/4	Welding Required	

Optional Add On Roller (S/N 254300 to 695422)

Applies to SP3072, SP3084



17712

Optional Add On Roller (S/N 254300 to 695422)**Applies to SP3072, SP3084**

Ref	Part No.	Part Description	Comments	Revision
		Image Reference: 17712		
	307-162A	SP20 48" DUAL ROLLER ADD ON		
	307-163A	SP20 56" DUAL ROLLER ADD ON		
	307-164A	SP20 60" DUAL ROLLER ADD ON		
	307-165A	SP20/30 72" DUAL ROLLER ADD ON		
	307-166A	SP30 84" DUAL ROLLER ADD ON		
1.	307-090S	48 ROLLER ASSY W/SLEEVES STD		
1.	307-091S	56 ROLLER ASSY W/SLEEVIS STD		
1.	307-092S	60 ROLLER ASSY W/SLEEVES STD		
1.	307-093S	72 ROLLER ASSY W/SLEEVES STD		
1.	307-096S	84 REAR ROLLER ASSY W/SLEEVES		
2.	890-152C	SLEEVE 3/8 PIN-WEAR		
3.	307-008H	48 ROLLER WELDMENT STD		
3.	307-009H	56 ROLLER WELDMENT STD		
3.	307-010H	60 ROLLER WELDMENT STD		
3.	307-011H	72 ROLLER WELDMENT STD		
3.	307-059H	84 REAR ROLLER		
4.	807-042C	SPRING REAR ROLLER		
5.	307-168V	PULV. SPRING ROD REAR W/NUT		
6.	804-024C	WASHER FLAT 3/4 USS PLT		
7.	803-025C	NUT HEX 3/4-10 PLT NYLOCK		
8.	307-148V	PULVERIZER REAR ARM LH W/BRG		
9.	307-107D	REAR ROLLER SPACER 7/16 WIDE		
10.	822-177C	BRG 1BORE,52MM SPHERE OD TRPL		
11.	800-001C	GREASE ZERK STRAIGHT 1/4-28		
12.	802-382C	HHCS 3/8-16X2 1/4 GR5		
13.	802-064C	HHCS 3/4-10X2 GR5		
14.	803-169C	NUT HEX FLG. LOCK 1/2-13 PLT.		
15.	307-152H	PULV. LH REAR TOWER WELDMENT		
16.	803-013C	NUT LOCK 3/8-16 PLT		
17.	803-181C	NUT HEX FLANGE LOCK 3/4-10 PLT	S/N 1136689+	
17.	803-299C	NUT HEX FLG TOP LK 3/4-10 PLT	S/N 1136688-	
18.	802-331C	RHSNB 1/2-13X1 3/4 GR5		
19.	307-104D	REAR ROLLER BACKING PLATE		
20.	307-153H	PULV. RH REAR TOWER WELDMENT		
21.	307-154V	PULVERIZER REAR ARM RH W/BRG		
22.	890-151C	WELD STUD 3/8 X 1 1/4	Welding Required	



Part Number Index

The Part Number Index is a numeric index of all part numbers included in this manual. The index shows what page(s) the part is used on.

Part Number	Page	Part Number	Page	Part Number	Page	Part Number	Page
303-017S	7, 17, 19, 29, 43, 45	307-093S	11, 21, 23, 33, 35, 41, 47, 49, 51, 61, 63	313-501H	23, 55	805-041C	7, 17, 19, 29, 43, 45
303-036D	7, 17, 29, 43	307-094D	17, 19, 43, 45	313-804D	23, 51, 55	805-111C	7, 17, 19, 29, 43, 45
303-037D	7, 17, 29, 43	307-094S	11, 33, 35, 47, 49, 53, 55	313-805D	23, 55	805-207C	7, 17, 19, 29, 43, 45
307-001H	11, 35	307-095D	17, 19, 43, 45	322-010D	17, 43	805-247C	17, 43
307-002H	11, 35	307-095S	11, 33, 35, 47, 49, 53, 55	322-010D82	17, 43	806-041C	7, 29
307-005H	9, 11, 21, 31, 33, 35, 47, 53	307-096S	33, 41, 47, 49, 51, 61, 63	800-001C	49, 63	807-005C	9, 11, 21, 23, 31, 33, 35, 47, 49, 53, 55
307-006H	9, 11, 21, 31, 33, 35, 47, 53	307-097A	41, 61	800-053C	21, 49, 53	807-042C	33, 41, 47, 49, 51, 61, 63
307-008H	11, 21, 35, 63	307-098A	41, 61	802-022C	23, 55	812-056C	9, 31
307-009H	11, 21, 35, 63	307-100D	21, 49, 53	802-034C	23, 51, 55	818-084C	13, 37
307-010H	11, 21, 23, 35, 63	307-101D	21, 49, 53	802-050C	9, 11, 21, 23, 31, 33, 35, 47, 49, 53, 55	818-085C	13, 37
307-011H	11, 21, 23, 33, 35, 41, 47, 49, 51, 61, 63	307-104D	49, 51, 63	802-064C	7, 17, 19, 29, 33, 41, 43, 45, 47, 49, 61, 63	818-087C	13, 25, 37
307-012H	11, 33, 35, 47, 49, 53, 55	307-107D	49, 63	802-068C	7, 17, 19, 29, 43, 45	818-089C	13, 25, 37
307-013H	11, 33, 35, 47, 49, 53, 55	307-109V	9, 11, 21, 31, 33, 35, 47, 53	802-079C	9, 11, 21, 31, 33, 35, 41, 47, 51, 53, 61	818-090C	13, 25, 37
307-015H	33, 41, 47, 61	307-110D	17, 43	802-128C	51	818-092C	13, 25, 37, 57
307-016H	33, 41, 47, 61	307-110D82	17, 43	802-129C	33, 41, 47, 61	818-094C	13, 37, 57
307-017H	11, 33, 35, 47	307-110V	33, 41, 47, 61	802-143C	9, 11, 21, 31, 33, 35, 41, 47, 53, 61	818-162C	13, 25, 37, 57
307-018H	11, 33, 35, 47	307-111D	17, 43	802-167C	17, 19, 43, 45	818-164C	13, 25, 37, 57
307-019H	33, 41, 47, 61	307-111H	17, 43	802-192C	17, 43	818-719C	25, 57
307-020H	33, 41, 47, 61	307-112H	17, 43	802-331C	49, 63	818-747C	25, 57
307-021H	7, 29	307-113H	17, 19, 43, 45	802-382C	21, 49, 53, 63	818-749C	25
307-022H	7, 29	307-113H82	17, 19, 43, 45	802-930C	51	818-750C	57
307-023H	7, 29	307-114H	17, 19, 43, 45	803-013C	21, 49, 53, 63	818-890C	57
307-024H	7, 29	307-114H82	17, 19, 43, 45	803-014C	9, 11, 21, 31, 33, 35, 41, 47, 53, 61	820-049C	7, 29
307-025H	7, 29	307-115H	17, 19, 43, 45	803-020C	7, 29, 33, 41, 47, 61	821-011C	15, 27, 39, 59
307-026H	7, 29	307-115H82	17, 19, 43, 45	803-025C	9, 11, 21, 31, 33, 35, 41, 47, 49, 53, 61, 63	821-011CGL	15, 27, 39, 59
307-028H	9, 31	307-116H	17, 19, 43, 45	803-026C	9, 11, 21, 31, 33, 35, 41, 47, 53, 61	821-011CQT	15, 27, 39, 59
307-029H	9, 31	307-116H82	17, 19, 43, 45	803-027C	7, 17, 19, 29, 43, 45	821-011CTU	15, 27, 39, 59
307-030H	9, 31	307-117H	21	803-088C	17, 19, 43, 45	821-054C	15, 27, 39, 59
307-031H	9, 31	307-118H	21	803-148C	51	821-054CGL	15, 27, 39, 59
307-032H	9, 31	307-119D	17, 19, 43, 45	803-161C	53	821-066C	15, 27, 39, 59
307-033H	9, 31	307-119D82	17, 19, 43, 45	803-169C	49, 63	821-066CGL	15, 27, 39, 59
307-034H	9, 31	307-119H	53	803-181C	21, 23, 49, 55, 63	821-066CQT	15, 27, 39, 59
307-035H	9, 31	307-120D	17, 19, 43, 45	803-299C	21, 23, 49, 53, 55, 63	821-067C	15, 27, 39, 59
307-047D	33, 41, 47, 61	307-120D82	17, 19, 43, 45	804-012C	23, 55	821-067CGL	15, 27, 39, 59
307-050D	7, 17, 29, 43	307-120H	53	804-013C	9, 11, 21, 23, 31, 33, 35, 41, 47, 51, 53, 55, 61	821-067CQT	15, 27, 39, 59
307-051D	7, 17, 29, 43	307-121D	19, 45	804-015C	7, 23, 29, 33, 41, 47, 51, 55, 61	821-070C	15, 27, 39, 59
307-052D	7, 17, 29, 43	307-121D82	19, 45	804-017C	23, 51, 55	821-070CGL	15, 27, 39, 59
307-059H	33, 41, 47, 49, 51, 61, 63	307-122D	19, 45	804-022C	9, 11, 21, 23, 31, 33, 35, 47, 49, 53, 55	821-080C	15, 27, 39, 59
307-061D	51	307-122D82	19, 45	804-023C	7, 17, 19, 29, 43, 45	821-080CGL	15, 27, 39, 59
307-062D	9, 31	307-139A	25	804-024C	9, 11, 21, 31, 33, 35, 41, 47, 49, 53, 61, 63	821-080CQT	15, 27, 39, 59
307-063D	9, 31	307-140A	25	804-029C	9, 11, 21, 23, 31, 33, 35, 47, 49, 53, 55	821-080CTU	15, 27, 39, 59
307-064A	13, 37	307-141A	25	804-192C	23, 55	822-085C	9, 11, 21, 31, 33, 35, 41, 47, 53, 61
307-064D	9, 11, 21, 31, 33, 35, 41, 47, 53, 61	307-142A	25	805-015C	7, 17, 19, 29, 43, 45	822-172C	21, 49, 53
307-065D	9, 31	307-143A	57			822-177C	49, 63
307-066D	9, 31	307-144A	57			822-249C	23, 51, 55
307-068D	7, 17, 29, 43	307-148V	49, 63			822-326C	23, 51, 55
307-069A	13, 37	307-149V	21, 49, 53			834-085C	17, 19, 43, 45
307-074A	13, 37	307-150H	21, 49, 53			838-030C	25
307-079A	13, 37	307-151H	21, 49, 53			838-031C	25
307-084A	13, 37	307-152H	49, 63			838-032C	57
307-087D	17, 43	307-153H	49, 63			838-033C	57
307-088D	17, 43	307-154V	49, 63			838-517C	13, 25, 37, 57
307-089A	13, 37	307-162A	63				
307-089D	17, 19, 43, 45	307-163A	63				
307-090D	17, 19, 43, 45	307-164A	63				
307-090S	11, 21, 35, 63	307-165A	63				
307-091D	17, 19, 43, 45	307-166A	63				
307-091S	11, 21, 35, 63	307-167V	21, 49, 53				
307-092D	17, 19, 43, 45	307-168V	49, 63				
307-092S	11, 21, 23, 35, 63	307-210H	51				
307-093D	17, 19, 43, 45	307-211H	51				
		307-212H	51				
		308-400D	19, 45				
		313-499H	23, 55				



Part Number Index (continued)

<u>Part Number</u>	<u>Page</u>
838-963C	57
848-159C	25, 57
848-161C	25, 57
848-207C	25
848-208C	25
848-209C	57
848-210C	57
890-151C	11, 21, 23, 33, 35, 41, 47, 49, 51, 53, 55, 61, 63
890-152C	11, 21, 23, 33, 35, 41, 47, 49, 51, 53, 55, 61, 63
Dwg 10876	13, 37
Dwg 15596	21
Dwg 17569	25
Dwg 33580	23, 55
Dwg 33582	51
Dwg 33584	57
dwg10869	7, 29
dwg10870	11, 35
dwg10872	9, 31
dwg15595	17, 43
dwg30116	19, 45



Great Plains Manufacturing, Inc.

Corporate Office: P.O. Box 5060
Salina, Kansas 67402-5060 USA

www.landpride.com
