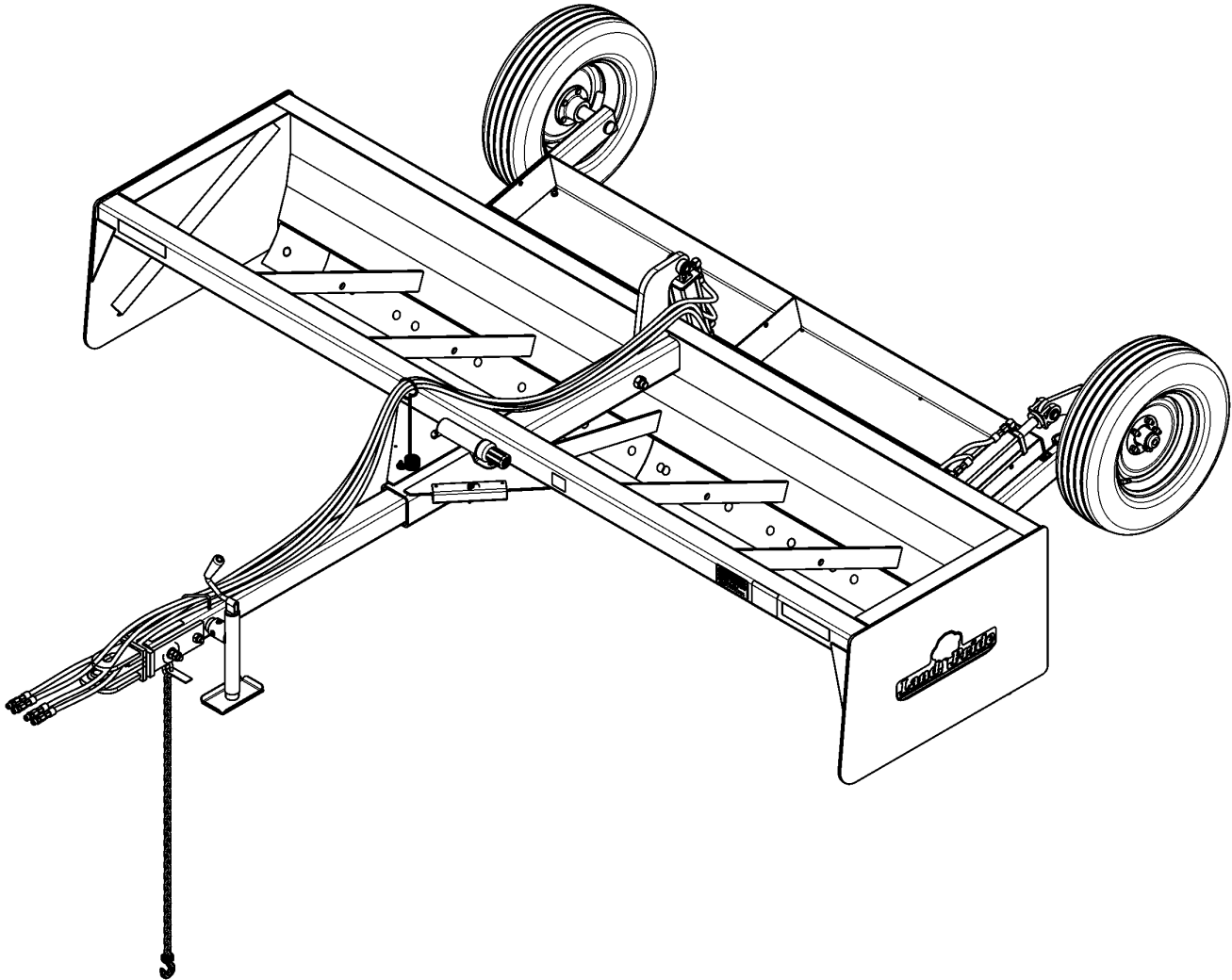


# Pull Type Drag Scraper

**BB4596, BB4510 & BB4512**



27950

## **306-096P** **Parts Manual**



Read the Operator's Manual entirely. When you see this symbol, the subsequent instructions and warnings are serious - follow without exception. Your life and the lives of others depend on it!

© Copyright 2018 Printed 07/10/18

*Cover photo may show optional equipment not supplied with standard unit.*





# Table of Contents

<b>Section 1: Introduction.....</b>	<b>4</b>
Using This Manual.....	4
Manual Replacement Information.....	4
Manual Revisions.....	4
Touch-up Paint.....	4
Hardware Legend.....	5
Replacement Hardware.....	5
Serial Numbers.....	5
Part Number Service Coding.....	5
<b>Section 2: Frame &amp; Hitch.....</b>	<b>6</b>
Frame & Hitch Components.....	6
Hitch Clevis.....	8
Hitch Swivel Ball.....	10
Hitch Swivel Clevis.....	12
Lights.....	14
Weight Box.....	16
<b>Section 3: Axles BB4510 &amp; BB4512.....</b>	<b>18</b>
Axle Enhancement Field Kit W/ Center Pivot S/N 712500-.....	18
Axle Standard (Non-Tilt) S/N 712500-.....	20
Axle Standard (Non-Tilt) S/N 712501 to 743852.....	22
Axle Standard (Non-Tilt) S/N 743853+.....	24
Axle Tilt S/N 712500-.....	26
Axle Tilt S/N 712501 to 743852.....	28
Axle Tilt S/N 743853 to 766591.....	30
Axle Tilt S/N 766592+.....	32
Hub Assembly 5-Bolt (322-288K).....	34
Hub Assembly 5-Bolt (815-052C).....	36
Hydraulic Cylinder (810-624C) Midway.....	38
Hydraulic Cylinder (810-624C) Red Lion.....	40
<b>Section 3: Axles BB4596.....</b>	<b>42</b>
Axle Standard (Non-Tilt).....	42
Axle Tilt.....	44
Hub Assembly 5-Bolt (322-288K).....	46
Hydraulic Cylinder (810-624C) Midway.....	48
Hydraulic Cylinder (810-624C) Red Lion.....	50
<b>Section 4: Decals.....</b>	<b>52</b>
Decal Placement.....	52
Land Pride Touch-up Paints.....	54
<b>Section 5: Options.....</b>	<b>56</b>
Lights.....	56
 <b>Part Number Index.....</b>	 <b>58</b>

© Copyright 2018. All rights reserved.

Land Pride provides this publication “as is” without warranty of any kind, either expressed or implied. While every precaution has been taken in the preparation of this manual, Land Pride assumes no responsibility for errors or omissions. Neither is any liability assumed for damages resulting from the use of the information contained herein. Land Pride reserves the right to revise and improve its products as it sees fit. This publication describes the state of this product at the time of its publication, and may not reflect the product in the future. The illustrations in this manual are not intended for safe and proper assembly or disassembly of equipment. The illustrations are intended for ordering parts only.

Land Pride is registered trademark.

All other brands and product names are trademarks or registered trademarks of their respective holders.

*Printed in the United States of America.*



# Alphabetized Table of Contents

---

**A**

- Axle Enhancement Field Kit W/ Center Pivot S/N  
712500-.....18
- Axle Standard (Non-Tilt).....42
- Axle Standard (Non-Tilt) S/N 712500-.....20
- Axle Standard (Non-Tilt) S/N 712501 to 743852.....22
- Axle Standard (Non-Tilt) S/N 743853+.....24
- Axle Tilt.....44
- Axle Tilt S/N 712500-.....26
- Axle Tilt S/N 712501 to 743852.....28
- Axle Tilt S/N 743853 to 766591.....30
- Axle Tilt S/N 766592+.....32

**D**

- Decal Placement.....52

**F**

- Frame & Hitch Components.....6

**H**

- Hitch Clevis.....8
- Hitch Swivel Ball.....10
- Hitch Swivel Clevis.....12
- Hub Assembly 5-Bolt (322-288K).....34
- Hub Assembly 5-Bolt (322-288K).....46
- Hub Assembly 5-Bolt (815-052C).....36
- Hydraulic Cylinder (810-624C) Midway.....38
- Hydraulic Cylinder (810-624C) Midway.....48
- Hydraulic Cylinder (810-624C) Red Lion.....40
- Hydraulic Cylinder (810-624C) Red Lion.....50

**L**

- Land Pride Touch-up Paints.....54
- Lights.....14
- Lights.....56

**W**

- Weight Box.....16

# General Information

## Using This Manual

This manual is divided into sections. The first section contains General Information. The remaining sections divide the machine into segments (i.e. Frames, Drives, Hydraulics, etc.) which illustrate and list all parts. A Parts Number Index is located at the back of the book.

The Land Pride parts in this manual are specially designed for this machine and should be replaced with Land Pride parts only.

The information in this manual is current at time of printing. Some parts may change to assure top performance.

Right-hand and left-hand as used in this manual are determined by facing the direction the machine will travel while in use.

Below is an example of two facing pages from a parts manual. Familiarize yourself with the type of information contained on these pages.

## Manual Replacement Information

Replacement manuals are available. Refer to our website at [www.landpride.com](http://www.landpride.com) or e-mail us at [lit@landpride.com](mailto:lit@landpride.com) for additional information. Our website continues to provide the most up-to-date manuals available.

## Touch-up Paint

Repaint parts where paint is worn or scratched to prevent rust. Aerosol cans and touch-up bottles with brush applicator are available through your local dealer. Also available are quart and gallon size paints. Add QT or GL to end of the Aerosol P/N.

Land Pride color descriptions and part numbers are listed on the "Land Pride Touch-up Paints" page in the "Decals" section of this book. Color options vary by product.



## General Information

### Hardware Legend

<b>AR</b>	As Required
<b>BLADE</b>	Blade Bolt
<b>C</b>	Cap Screw
<b>CP</b>	Cotter Pin
<b>CPHSSS</b>	Cup Point Hex Socket Set Screw
<b>CPSHSS</b>	Cup Point Square Head Set Screw
<b>CPSQHSS</b>	Cup Point Square Head Set Screw
<b>CRFCHMS3</b>	Cross Recess Flat Countersunk Head Machine Screw
<b>CRPHMS</b>	Cross Recess Pan Head Machine Screw
<b>CRPHTF</b>	Cross Recess Pan Head Thread Forming
<b>CRRHMS</b>	Cross Recess Round Head Machine Screw
<b>CRTHMS</b>	Cross Recess Truss Head Machine Screw
<b>CSNB</b>	Countersunk Square Neck Bolt
<b>FHMS</b>	Flat Head Machine Screw
<b>FTC</b>	Full Thread Cap Screw
<b>H</b>	Hex Nut
<b>HCLN</b>	Hex Center Lock Nut
<b>HFLCS</b>	Hex Flange Lock Cap Screw
<b>HFS</b>	Hex Flange Screw
<b>HFSLN</b>	Hex Flange Serrated Lock Nut
<b>HFSS</b>	Hex Flange Serrated Screw
<b>HHCS</b>	Hex Head Cap Screw or Metric Bolt
<b>HSBHCS</b>	Hex Socket Button Head Cap Screw
<b>HSFCHCS</b>	Hex Socket Flat Countersunk Head Cap Screw
<b>HSHCS</b>	Hex Socket Head Cap Screw
<b>HSSS</b>	Hex Socket Head Screw
<b>HTLN</b>	Hex Top Lock Nut
<b>HWHCS</b>	Hex Washer Head Cap Screw

<b>HWHMS</b>	Hex Washer Head Machine Screw
<b>HXBHCS</b>	Hex Socket Button Head Cap Screw
<b>J</b>	Hex Jam Nut
<b>JIC</b>	37 Degree Tapered Thread
<b>L</b>	Helical Spring Lock Washer
<b>LUG</b>	Lug Bolt
<b>NFC</b>	National Fine Cap Screw
<b>NPSM</b>	National Pipe Straight Mechanical
<b>NPTF</b>	National Pipe Taper Fuel
<b>P</b>	Wide Plain Washer
<b>PHMS</b>	Pan Head Machine Screw
<b>PLOW</b>	Plow Bolt
<b>RHMS</b>	Round Head Machine Screw
<b>RHSNB</b>	Round Head Square Neck Bolt
<b>SCREW LEVELING</b>	Leveling Screw
<b>SCREW THUMB</b>	Thumb Screw
<b>SCREW WELD</b>	Weld Screw
<b>SFCHMS</b>	Slotted Flat Countersunk Head Machine Screw
<b>SFHMS</b>	Slotted Fillister Head Machine Screw
<b>SP</b>	Special
<b>SP SCREW</b>	Special Screw
<b>SOHSS</b>	Square Head Set Screw
<b>SRHMS</b>	Slotted Round Head Machine Screw
<b>SSS</b>	Socket Set Screw
<b>STCS</b>	Self Tapping Cap Screw
<b>STHMS</b>	Slotted Truss Head Machine Screw
<b>WHEEL</b>	Wheel Studs and Hub Long Bolts
<b>WING</b>	Wing Bolt

### Replacement Hardware

The **Hardware Legend** above lists hardware abbreviations used in the parts list. All bolts and nuts are Grade 5 unless otherwise noted. The use of improper grades of hardware can result in personal injury, damage to equipment, or loss of property.

### Colored Replacement Parts

Land Pride offers replacement parts in factory standard colors and also on select models in Green, Orange, Red and Blue. Because of the variety of colors available, special attention must be given to the part number to prevent ordering the wrong replacement part.

A suffix number corresponding to one of the colors below must be added at the end of Land Pride's part number when ordering a replacement part with that color.

**81 . . . . . Green      83 . . . . . Red**  
**82 . . . . . Orange    84 . . . . . Blue**

For example, if you are ordering a replacement part with part number 555-555C and the part you need is red, then add the suffix 83 to the end of the number to make the part number read 555-555C83. Parts ordered without a suffix number will be supplied in factory standard colors.

### Black Replacement Parts

Some parts are factory standard black and some must be special ordered black. If your part is special ordered black, a second part number with the additional suffix number 85 on the end will be available. In this situation you must order that part with the suffix number for it to be black. Parts that are factory standard black will not have the suffix number.

### Part Number Service Coding

Within the parts list some part numbers are coded for revisions and interchangeability. See notations in revision column.

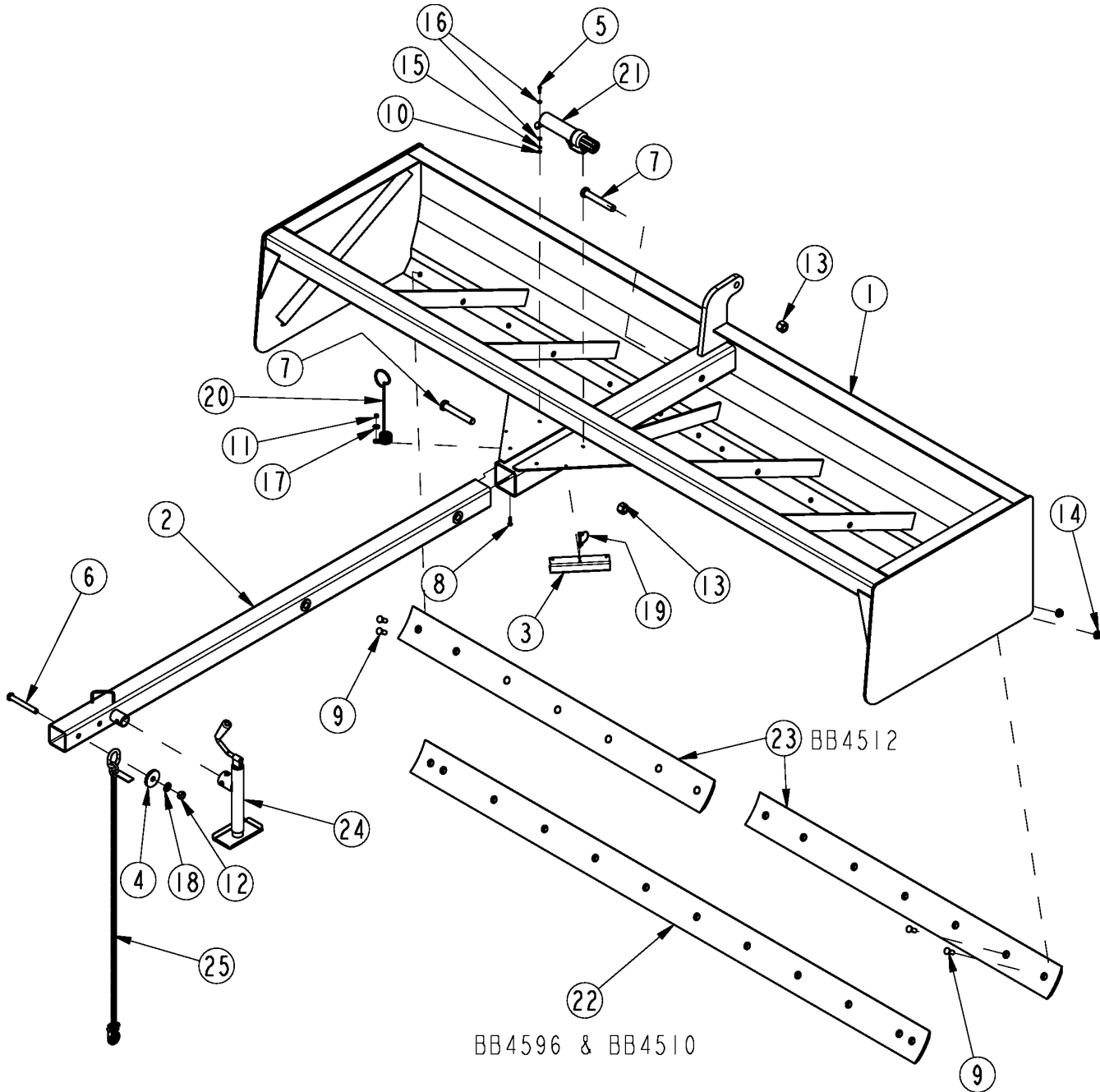
### Serial Numbers

Always use the serial and model number when ordering parts. Refer to the Operator's Manual for serial number plate location.

- (S/N 20001+)                      Includes serial numbers 20001 and above (to the latest number)
- (S/N 10001 to 20000)           Includes serial numbers between and including 10001 and 20000
- (S/N 10000-)                      Includes serial numbers 10000 and below (to the earliest number)

# Frame & Hitch Components

Applies to BB4510, BB4512, BB4596



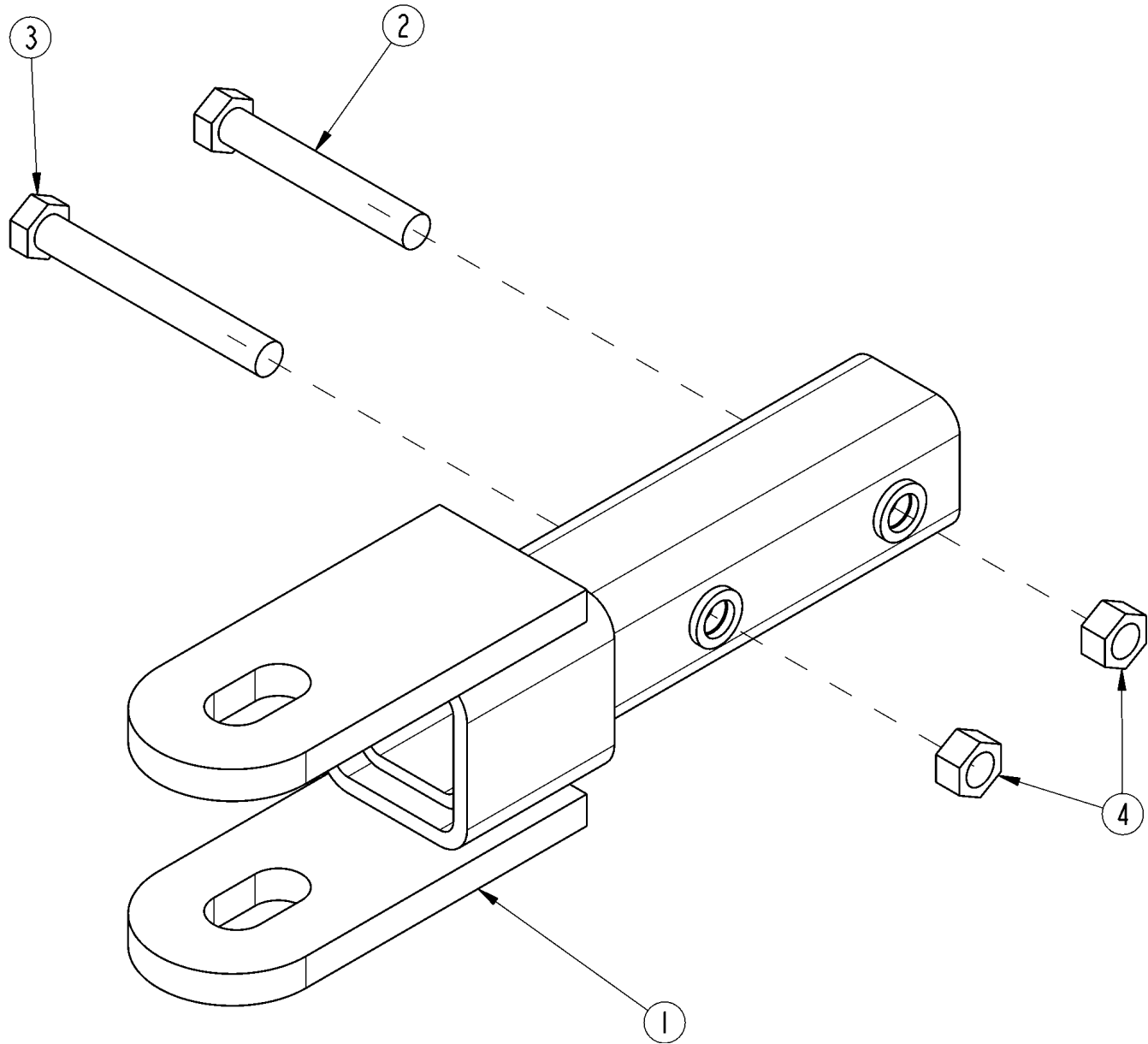
27942

**Frame & Hitch Components****Applies to BB4510, BB4512, BB4596**

Ref	Part No.	Part Description	Comments	Revision
	Dwg 27942	Drawing Image Number		
1.	306-100H	12' SCRAPER WELDMENT		
1.	306-100H82	12' SCRAPER WELDMENT ORANGE		
1.	306-099H	10' SCRAPER WELDMENT		
1.	306-099H82	10' SCRAPER WELDMENT ORANGE		
1.	306-128H	96" SCRAPER WELDMENT		
1.	306-128H82	96" SCRAPER WELDMENT ORANGE		
2.	306-101H	TONGUE WELDMENT		
2.	306-101H82	TONGUE WELDMENT ORANGE		
3.	318-775D	SHIPPING BRACKET, CYL ASSIST		
4.	401-372D	WASHER, SAFETY CHAIN		
5.	802-005C	HHCS 1/4-20X1 GR5		
6.	802-070C	HHCS 3/4-10X6 GR5	Clevis Hitch & Ball Swivel Hitch	
6.	802-280C	HHCS 3/4-10X7 1/2 GR5	Swivel Clevis Hitch	
7.	802-074C	HHCS 1-8X6 1/2 GR5		
8.	802-079C	HHCS 3/8-16X1 1/4 GR5		
9.	802-206C	PLOW 5/8-11X1 3/4 GR5		
10.	803-006C	NUT HEX 1/4-20 PLT		
11.	803-013C	NUT LOCK 3/8-16 PLT		
12.	803-026C	NUT LOCK 3/4-10 PLT		
13.	803-038C	NUT HEX 1-8 NYLON INSERT PLT	S/N _____+	
13.	803-168C	NUT HEX TOP LOCK 1-8 PLT	S/N _____-	
14.	803-263C	NUT HEX FLANGE LOCK 5/8-11 PLT		
15.	804-006C	WASHER LOCK SPRING 1/4 PLT		
16.	804-007C	WASHER FLAT 1/4 SAE PLT		
17.	804-011C	WASHER FLAT 3/8 USS PLT		
18.	804-025C	WASHER FLAT 3/4 SAE PLT		
19.	805-065C	PIN WIRE RETAINING 1/4 X 1 3/4		
20.	807-023C	SPRING HOSE LOOP		
21.	816-504C	MANUAL STORAGE CONTAINER		
22.	820-073C	GRADER BLADE 1/2 X 6 X 119 1/2	BB4510 1 Ea.	
22.	820-035C	GRADER BLADE 1/2 X 6 X 95 1/2	BB4596 1 Ea.	
23.	820-079C	GRADER BLADE 1/2 X 6 X 71 1/2	BB4512 2 Ea.	
24.	890-118C	SCREW JACK 2000# 14-24 TOP-WND	S/N 645052+	
25.	891-246C	AG SAFETY CHAIN 6400 LB	S/N 688691+	
25.	890-182C	SAFETY CHAIN 10000 LB	S/N 688690-	

# Hitch Clevis

Applies to BB4510, BB4512, BB4596



27949



## ***Hitch Clevis***

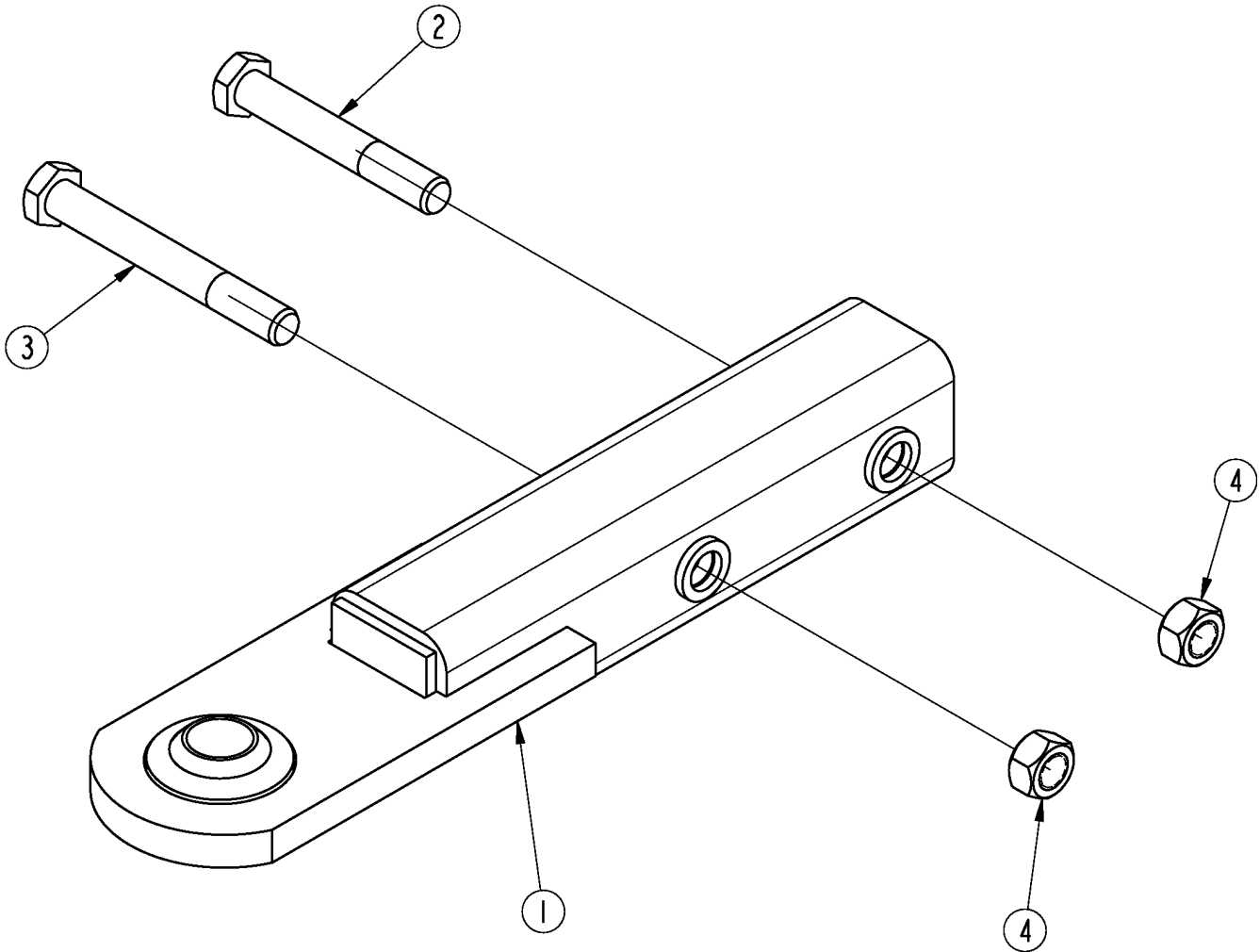
---

**Applies to BB4510, BB4512, BB4596**

<b>Ref</b>	<b>Part No.</b>	<b>Part Description</b>	<b>Comments</b>	<b>Revision</b>
	dwg27949 306-122A	Drawing Image Number CLEVIS HITCH *	Contains 1 thru 4	
1.	306-111H	CLEVIS HITCH		
2.	802-069C	HHCS 3/4-10X5 GR5		
3.	802-070C	HHCS 3/4-10X6 GR5		
4.	803-026C	NUT LOCK 3/4-10 PLT		

# Hitch Swivel Ball

Applies to BB4510, BB4512, BB4596



70164

## ***Hitch Swivel Ball***

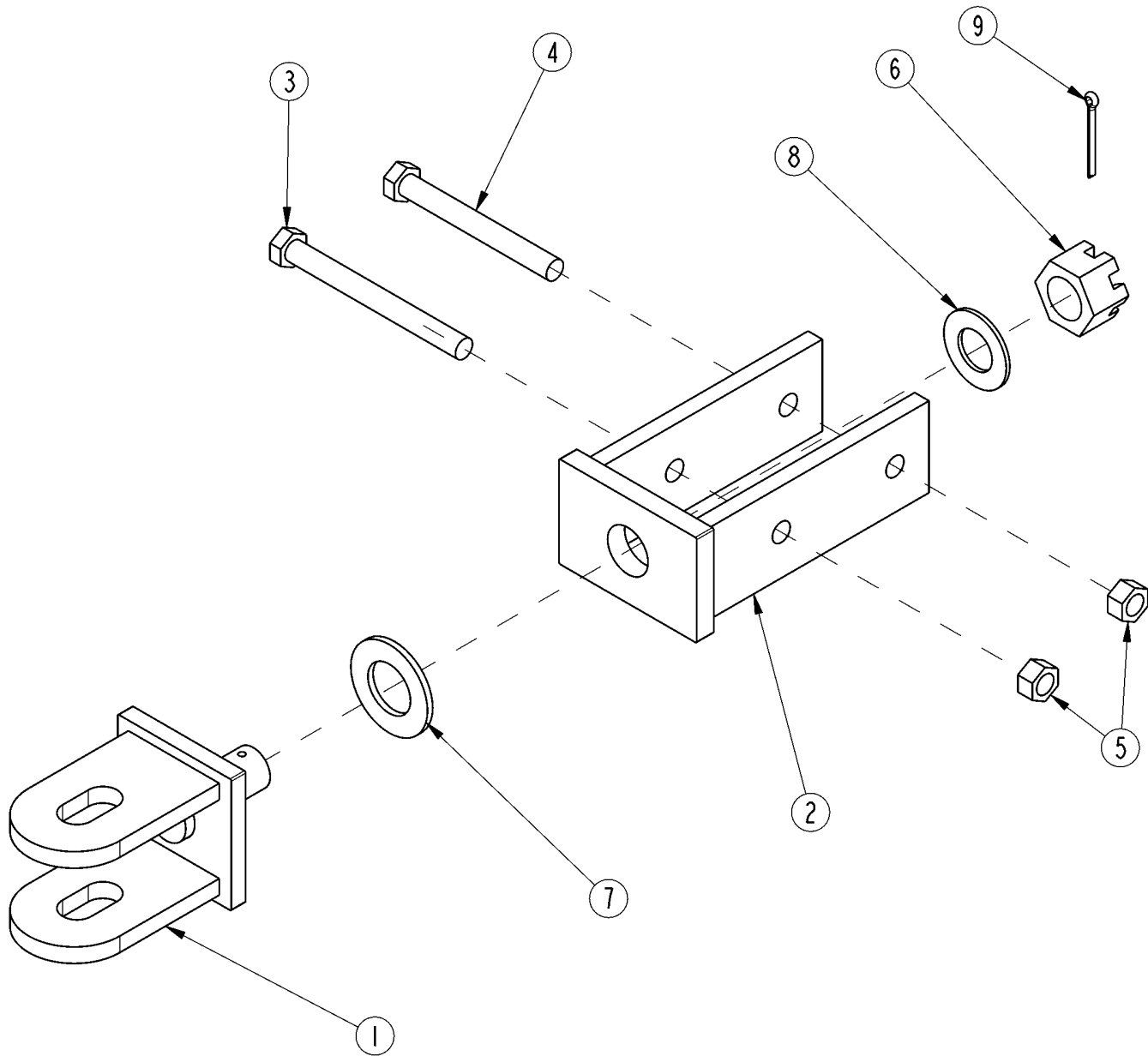
---

**Applies to BB4510, BB4512, BB4596**

<b>Ref</b>	<b>Part No.</b>	<b>Part Description</b>	<b>Comments</b>	<b>Revision</b>
	Dwg 70164 306-121A	Drawing Image Number SWIVEL BALL HITCH *		
1.	306-110H	SWIVEL BALL HITCH		
2.	802-069C	HHCS 3/4-10X5 GR5		
3.	802-070C	HHCS 3/4-10X6 GR5		
4.	803-026C	NUT LOCK 3/4-10 PLT		

# Hitch Swivel Clevis

Applies to BB4510, BB4512, BB4596



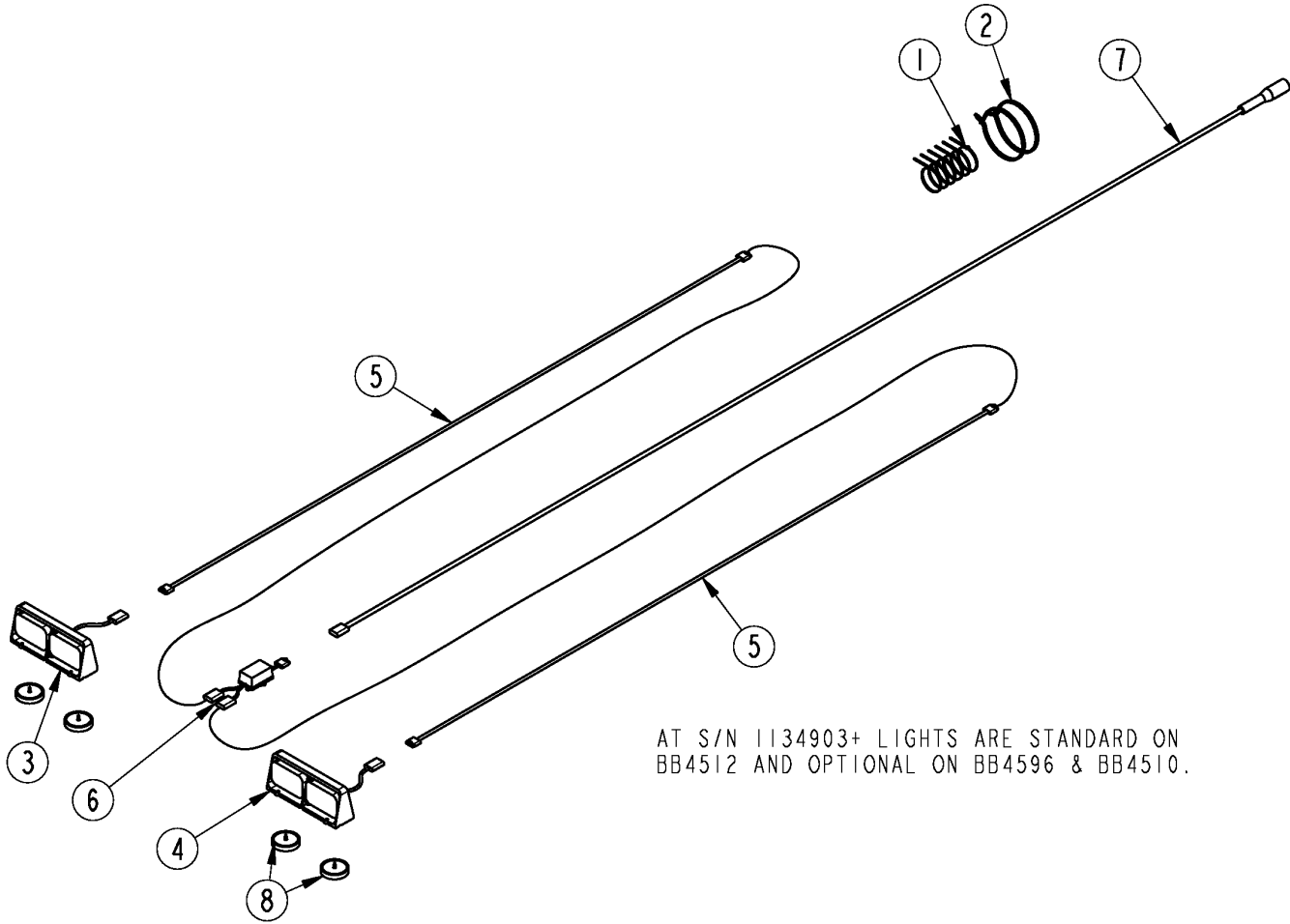
27944

**Hitch Swivel Clevis****Applies to BB4510, BB4512, BB4596**

<b>Ref</b>	<b>Part No.</b>	<b>Part Description</b>	<b>Comments</b>	<b>Revision</b>
	Dwg 27944 306-113A	Drawing Image Number SWIVEL CLEVIS HITCH *	Contains 1 thru 9	
1.	306-109H	SWIVEL CLEVIS HITCH		
2.	306-112H	SWIVEL CLEVIS MOUNT		
3.	802-280C	HHCS 3/4-10X7 1/2 GR5		
4.	802-360C	HHCS 3/4-10X6 1/2 GR5		
5.	803-026C	NUT LOCK 3/4-10 PLT		
6.	803-301C	NUT HEX SLOTTED 1 1/2-6 PLT		
7.	804-114C	WASHER FLAT 1 3/4HARD ASTM F436		
8.	804-171C	WASHER FLAT 1 3/8HARD ASTM F436		
9.	805-105C	PIN COTTER 1/4 X 2 1/2 PLT		

# Lights

Applies to BB4512



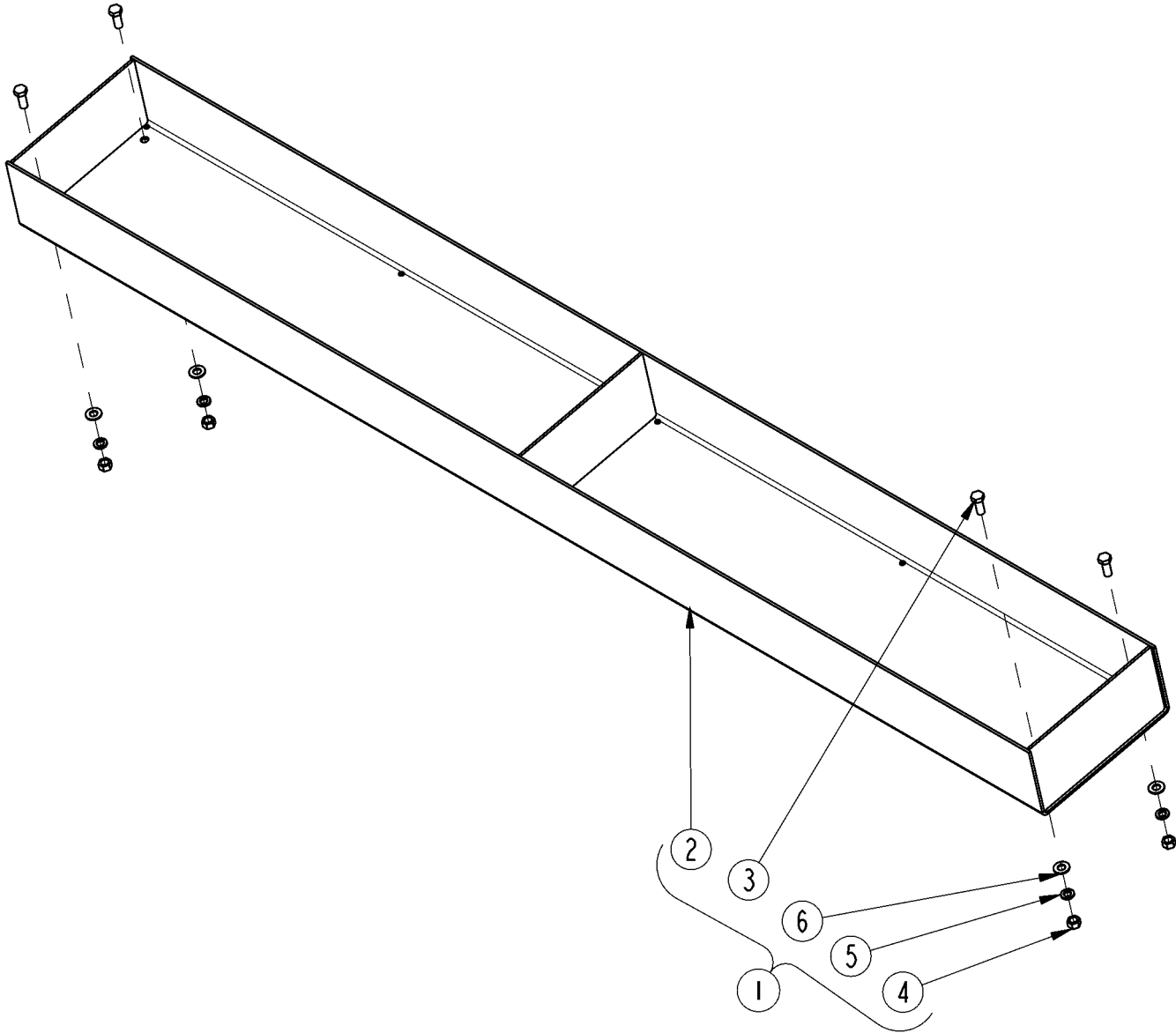
AT S/N 1134903+ LIGHTS ARE STANDARD ON  
BB4512 AND OPTIONAL ON BB4596 & BB4510.

**Lights****Applies to BB4512**

<b>Ref</b>	<b>Part No.</b>	<b>Part Description</b>	<b>Comments</b>	<b>Revision</b>
	Dwg 39385 306-163L	Drawing Image Number LED LIGHT KIT	(S/N 1015951+) Light are standadr on the BB4512 at S/N 1134903+	
		*		
1.	800-060C	CABLE TIE .19X14.25 3DIA 50LB		
2.	800-082C	CABLE TIE .31X21.5 6DIA 120LB		
3.	891-522C	DUAL LED LIGHT LH	Complete light assembly	
3.	J-37-R	RED LED LENS MODULE	Red lens	
3.	J-37-A	AMBER LED LENS MODULE	Amber lens	
3.	J-AC1-15-B	BLACK LENS COVER	Black lens	
4.	891-523C	DUAL LED LIGHT RH	Complete light assembly	
4.	J-37-R	RED LED LENS MODULE	Red lens	
4.	J-37-A	AMBER LED LENS MODULE	Amber lens	
4.	J-AC1-15-B	BLACK LENS COVER	Black lens	
5.	891-529C	LIGHT WIRE HARNESS 8'		
5.	891-530C	RPBY 891-529C	Obsolete	
6.	891-531C	ENHANCE MODULE		
7.	891-533C	LEAD WIRE HARNESS 13'		
8.	891-534C	LIGHT MAGNETS WITH HARDWARE		

# Weight Box

Applies to BB4510, BB4512, BB4596



27943



## **Weight Box**

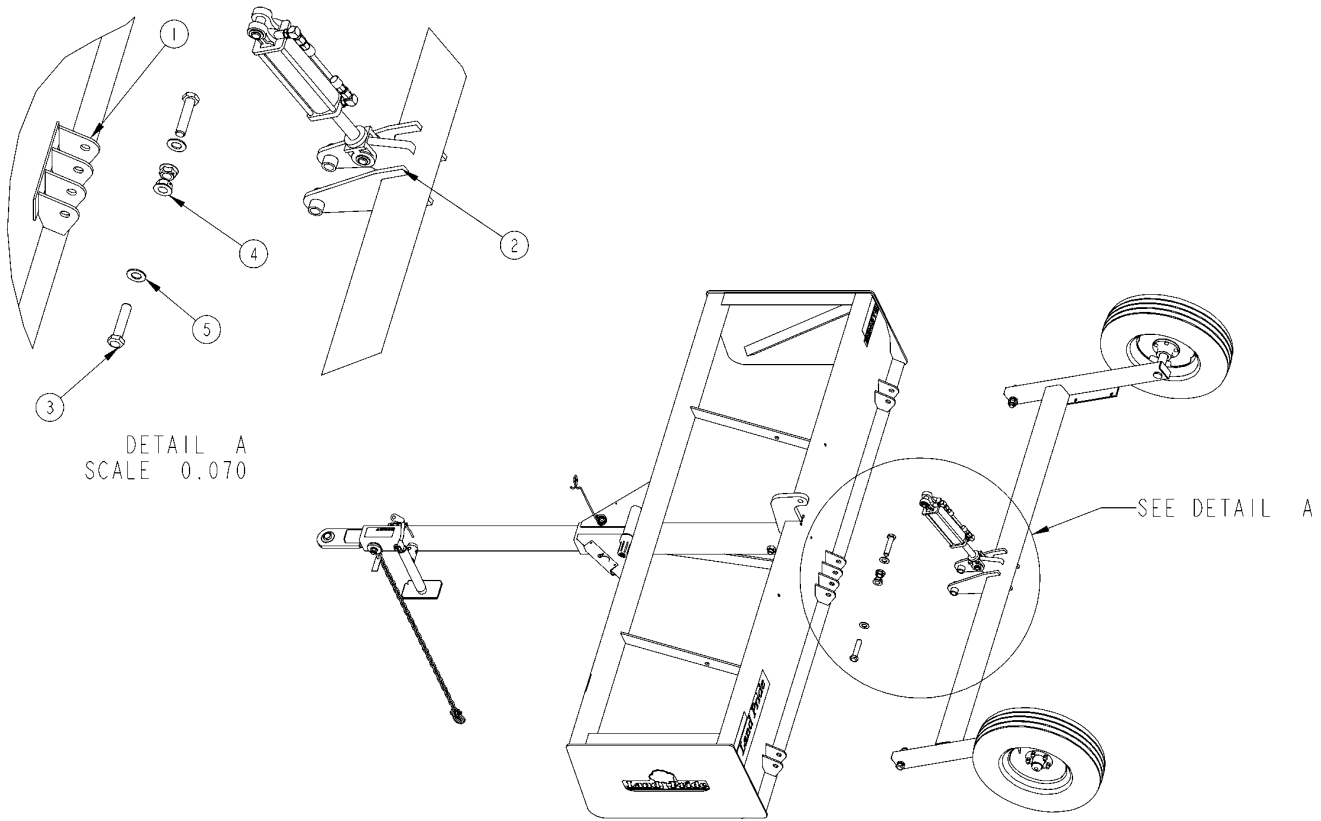
---

**Applies to BB4510, BB4512, BB4596**

<b>Ref</b>	<b>Part No.</b>	<b>Part Description</b>	<b>Comments</b>	<b>Revision</b>
	dwg27943	Drawing Image Number		
1.	306-114A	WEIGHT BOX	BB4510 & BB4512	
1.	306-135A	WEIGHT BOX 96"	BB4596	
2.	306-115H	WEIGHT BOX	BB4510 & BB4512	
2.	306-134H	WEIGHT BOX 96"	BB4596	
3.	802-034C	HHCS 1/2-13X1 1/4 GR5		
4.	803-020C	NUT HEX 1/2-13 PLT		
5.	804-015C	WASHER LOCK SPRING 1/2 PLT		
6.	804-016C	WASHER FLAT 1/2 SAE PLT		

# Axle Enhancement Field Kit W/ Center Pivot S/N 712500-

Applies to BB4510, BB4512



***Axle Enhancement Field Kit W/ Center Pivot S/N 712500-***

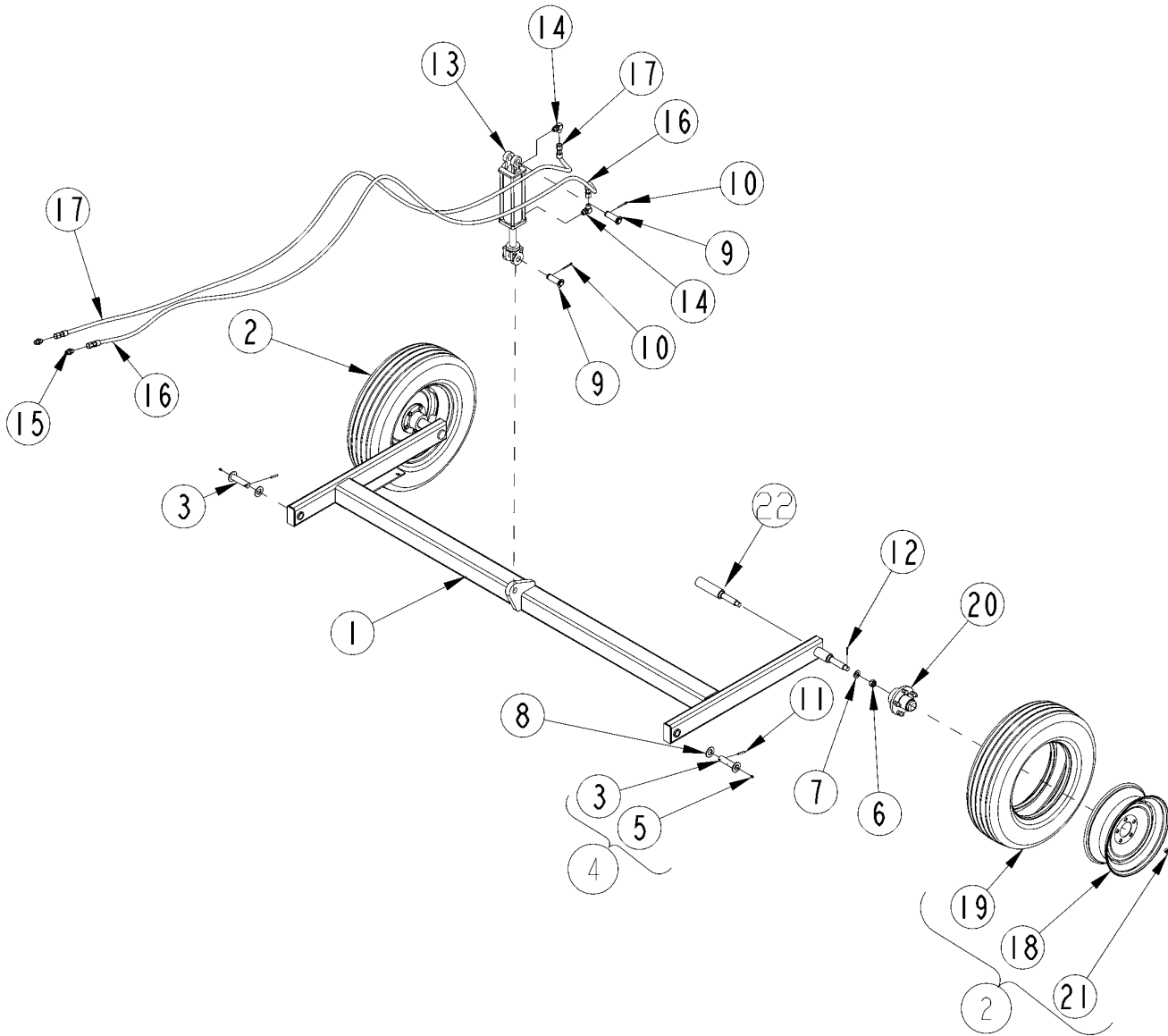
---

**Applies to BB4510, BB4512**

<b>Ref</b>	<b>Part No.</b>	<b>Part Description</b>	<b>Comments</b>	<b>Revision</b>
	dwg33400	Drawing Image Number		
	306-151A	AXLE ENHANCEMENT FIELD KIT *		
1.	306-152E	BOX AXLE LUG FIELD KIT		
2.	306-150E	AXLE LUG		
3.	802-098C	HHCS 1-8X4 1/2 GR5		
4.	803-258C	NUT HEX FLG LOCK 1-8 GR B PLT		
5.	804-029C	WASHER FLAT 1 SAE		

# Axle Standard (Non-Tilt) S/N 712500-

Applies to BB4510, BB4512



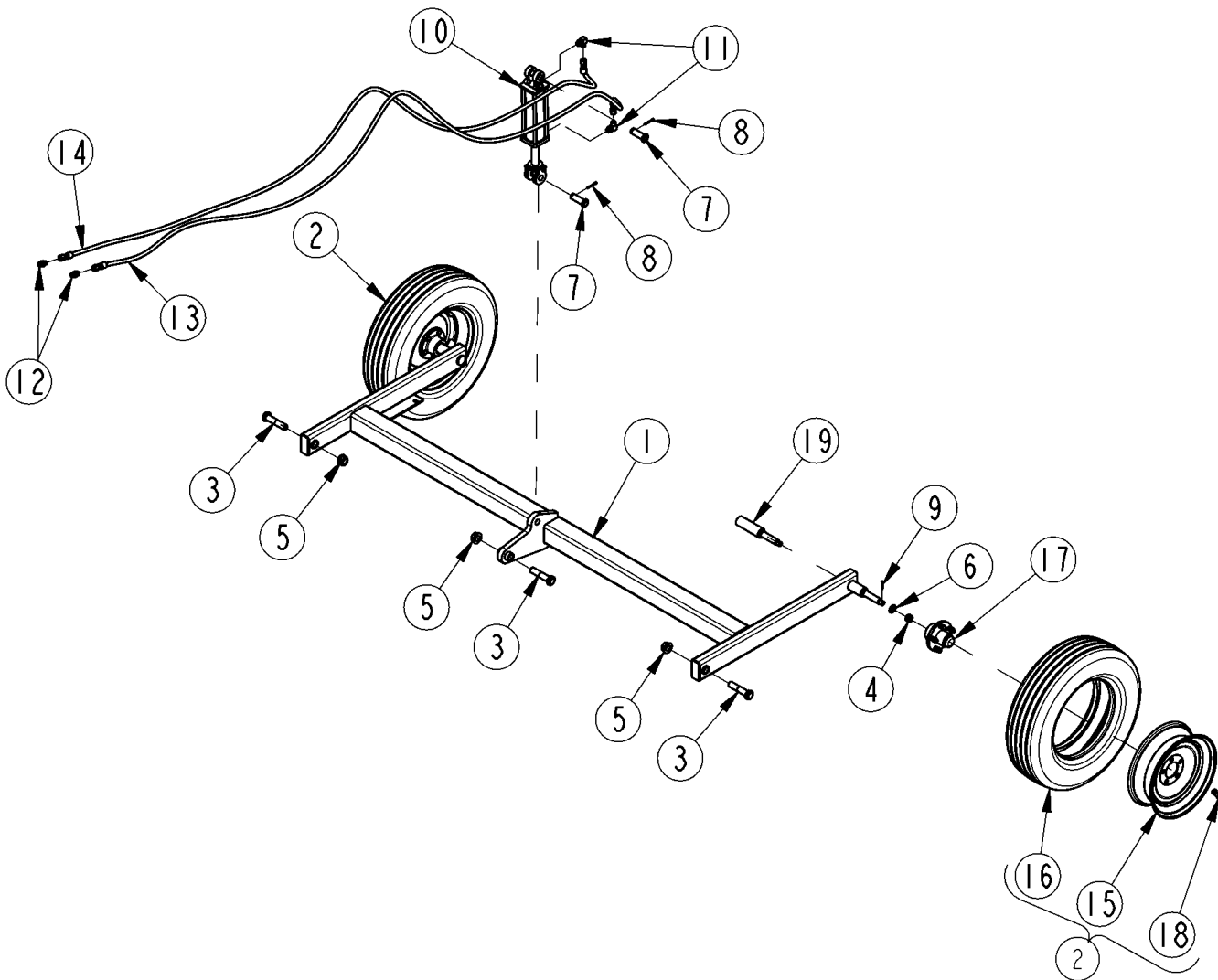
27946

**Axle Standard (Non-Tilt) S/N 712500-****Applies to BB4510, BB4512**

<b>Ref</b>	<b>Part No.</b>	<b>Part Description</b>	<b>Comments</b>	<b>Revision</b>
	dwg27946	Drawing Image Number		
1.	306-103H	STANDARD AXLE		
2.	306-107S	TIRE-WHEEL ASSY		
3.	306-116H	PIN, GREASABLE AXLE		
4.	306-117V	PIN, GREASABLE AXLE		
5.	800-080C	GREASE ZERK 1/4-28 THD FORMING		
6.	803-053C	NUT HEX SLOTTED 3/4-16		
7.	804-025C	WASHER FLAT 3/4 SAE PLT		
8.	804-029C	WASHER FLAT 1 SAE		
9.	805-004C	PIN CLEVIS 1 X 2 3/4 USABLE LG		
10.	805-017C	PIN COTTER 3/16 X 1 3/4 PLT		
11.	805-041C	PIN ROLL 1/4X1 3/4		
12.	805-045C	PIN COTTER 5/32 X 1 1/4 LG		
13.	810-624C	CYL 3X8X1.25 ROD (TIE) NO PINS		
14.	811-063C	EL 3/4MJIC 3/4MORB		
15.	811-088C	AD 3/4MORB 3/4MJIC		
16.	811-661C	HH3/8R2 168 3/4FJIC		
17.	811-661C	HH3/8R2 168 3/4FJIC		
18.	814-380C	WHEEL 15" 5 - 4.5 .25 POS. OFF		
19.	814-381C	TIRE 215/70R15		
20.	815-052C	HUB ASSY 5 BOLT 4 1/2 B.C.		
21.	816-035C	VALVE STEM TR415X.625X1 1/4 LG		
22.	306-120D	DRAG SCRAPER SPINDLE	Service Part Welding Required	

### Axle Standard (Non-Tilt) S/N 712501 to 743852

Applies to BB4510, BB4512



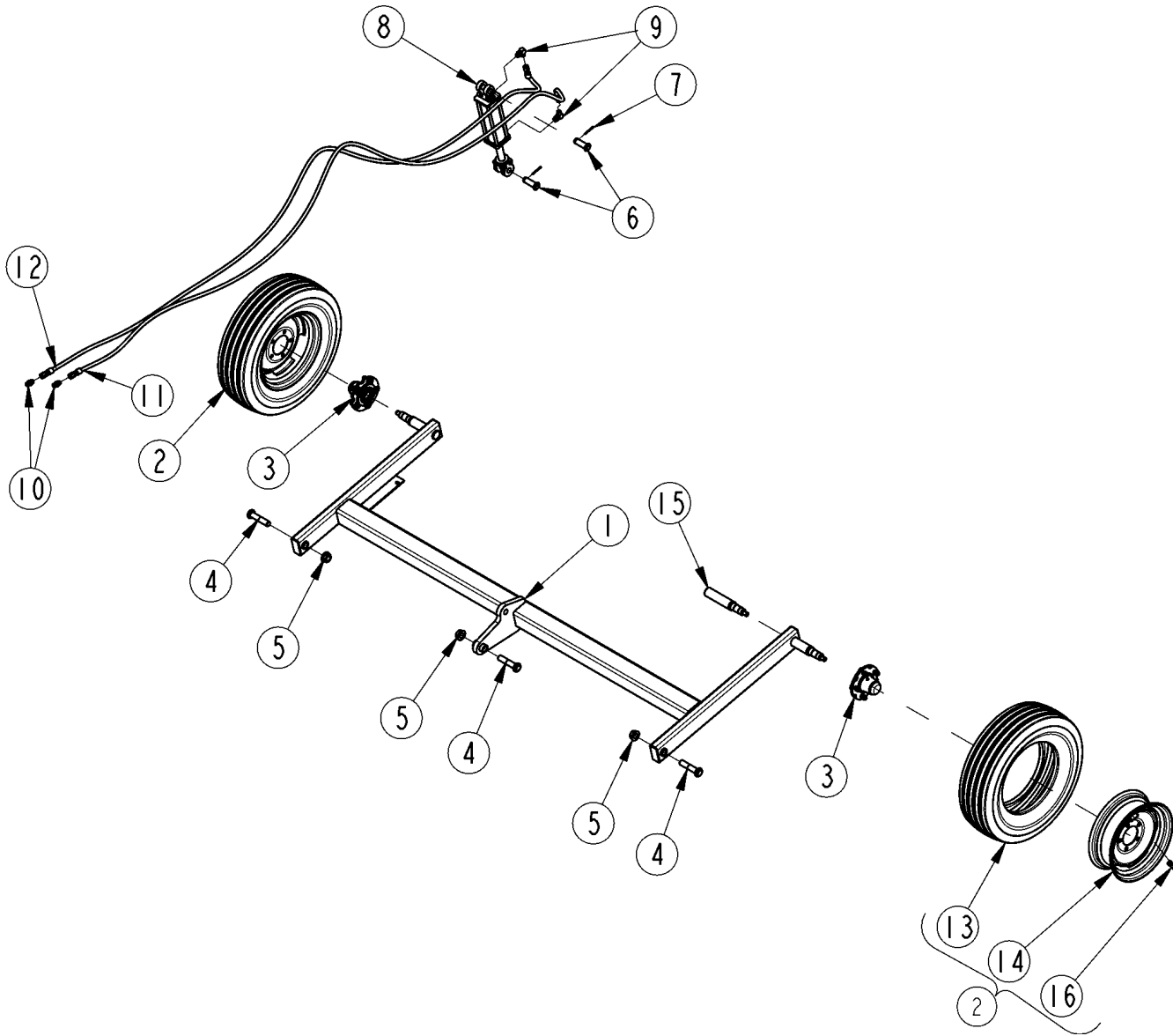
33396

**Axle Standard (Non-Tilt) S/N 712501 to 743852****Applies to BB4510, BB4512**

<b>Ref</b>	<b>Part No.</b>	<b>Part Description</b>	<b>Comments</b>	<b>Revision</b>
	dwg33396	Drawing Image Number		
1.	306-103H	STANDARD AXLE		
2.	306-107S	TIRE-WHEEL ASSY		
3.	802-098C	HHCS 1-8X4 1/2 GR5		
4.	803-053C	NUT HEX SLOTTED 3/4-16		
5.	803-258C	NUT HEX FLG LOCK 1-8 GR B PLT		
6.	804-025C	WASHER FLAT 3/4 SAE PLT		
7.	805-004C	PIN CLEVIS 1 X 2 3/4 USABLE LG		
8.	805-017C	PIN COTTER 3/16 X 1 3/4 PLT		
9.	805-045C	PIN COTTER 5/32 X 1 1/4 LG		
10.	810-624C	CYL 3X8X1.25 ROD (TIE) NO PINS		
11.	811-063C	EL 3/4MJIC 3/4MORB		
12.	811-088C	AD 3/4MORB 3/4MJIC		
13.	811-661C	HH3/8R2 168 3/4FJIC		
14.	811-661C	HH3/8R2 168 3/4FJIC		
15.	814-380C	WHEEL 15" 5 - 4.5 .25 POS. OFF		
16.	814-381C	TIRE 215/70R15		
17.	815-052C	HUB ASSY 5 BOLT 4 1/2 B.C.		
18.	816-035C	VALVE STEM TR415X.625X1 1/4 LG		
19.	306-120D	DRAG SCRAPER SPINDLE	Service Part Welding Required	

**Axle Standard (Non-Tilt) S/N 743853+**

Applies to BB4510, BB4512



33880

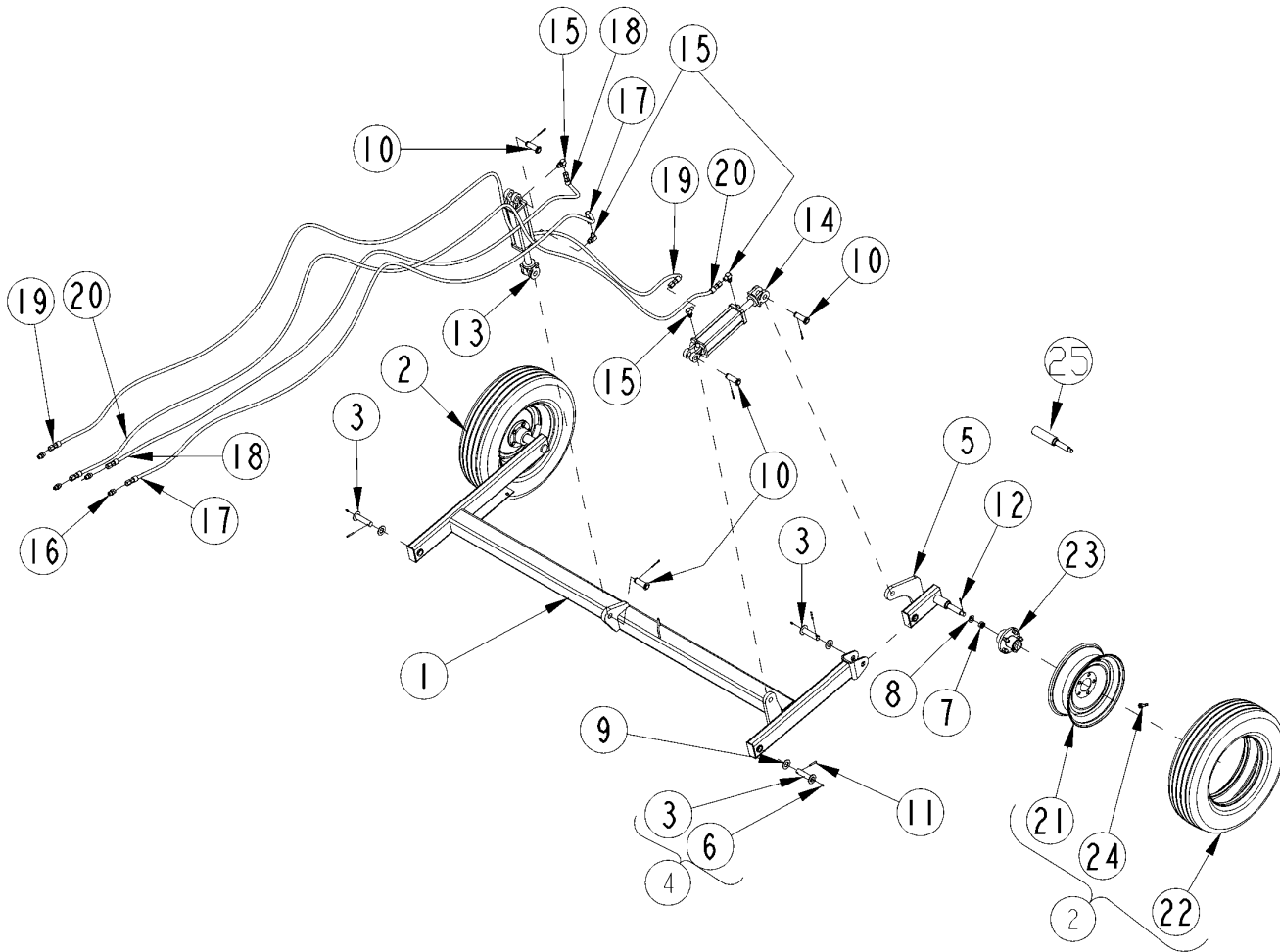


**Axle Standard (Non-Tilt) S/N 743853+****Applies to BB4510, BB4512**

<b>Ref</b>	<b>Part No.</b>	<b>Part Description</b>	<b>Comments</b>	<b>Revision</b>
	dwg33880	Drawing Image Number		
1.	306-156H	STANDARD AXLE		
2.	306-160S	TIRE-WHEEL ASSY		
3.	322-288K	HUB 5-BOLT COMPLETE W/ANG NUTS		
4.	802-098C	HHCS 1-8X4 1/2 GR5		
5.	803-258C	NUT HEX FLG LOCK 1-8 GR B PLT		
6.	805-004C	PIN CLEVIS 1 X 2 3/4 USABLE LG		
7.	805-017C	PIN COTTER 3/16 X 1 3/4 PLT		
8.	810-624C	CYL 3X8X1.25 ROD (TIE) NO PINS		
9.	811-063C	EL 3/4MJIC 3/4MORB		
10.	811-088C	AD 3/4MORB 3/4MJIC		
11.	811-661C	HH3/8R2 168 3/4FJIC		
12.	811-661C	HH3/8R2 168 3/4FJIC		
13.	814-381C	TIRE 215/70R15		
14.	814-429C	WHEEL 15X5 - 5.5 BC .25 OFF		
15.	815-389C	DRAG SCRAPER WELD-ON SPINDLE	Service Part Welding Required	
16.	816-035C	VALVE STEM TR415X.625X1 1/4 LG		

# Axle Tilt S/N 712500-

Applies to BB4510, BB4512



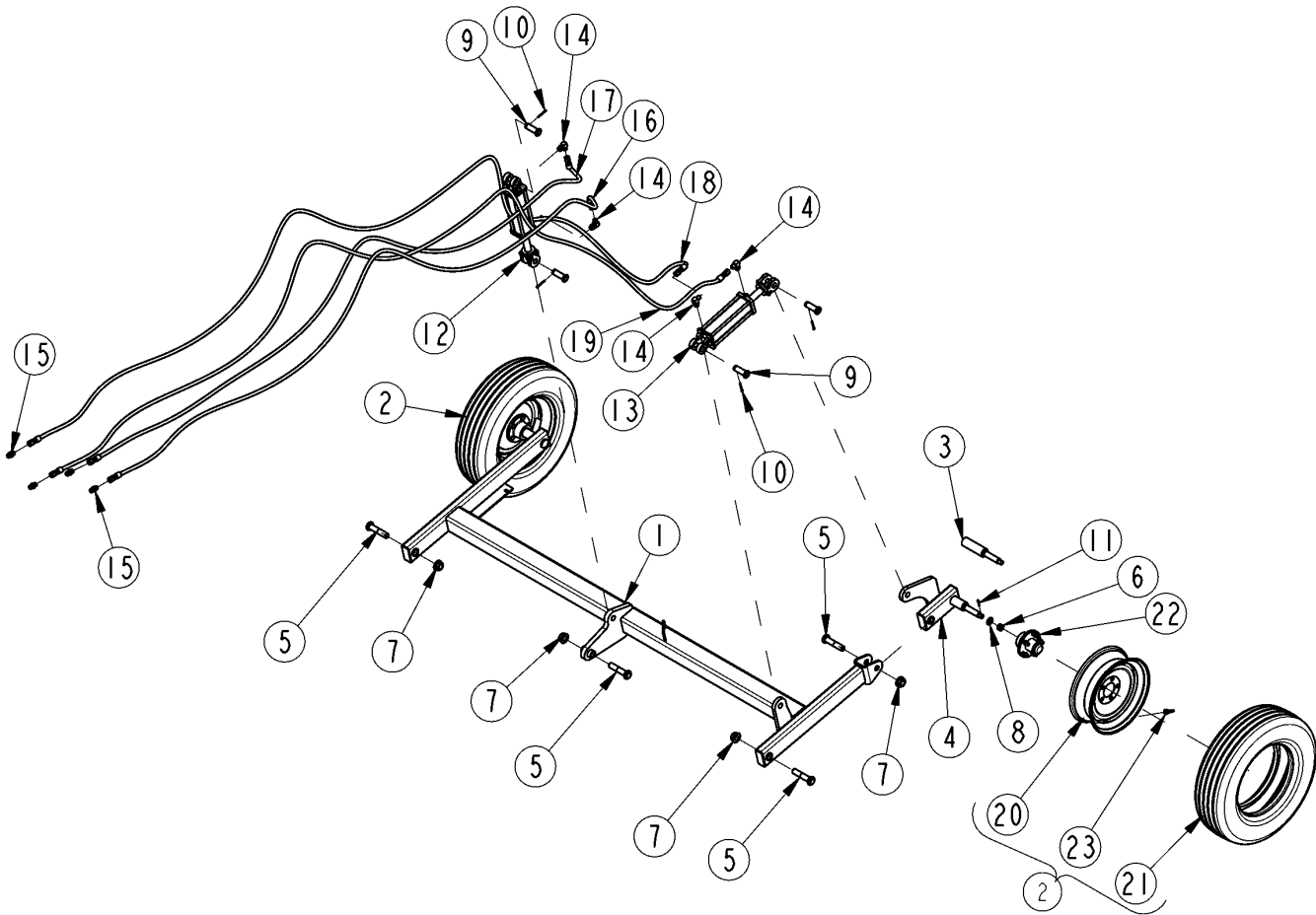
27945

**Axle Tilt S/N 712500-****Applies to BB4510, BB4512**

<b>Ref</b>	<b>Part No.</b>	<b>Part Description</b>	<b>Comments</b>	<b>Revision</b>
	dwg27945	Drawing Image Number		
1.	306-106H	TILT AXLE		
2.	306-107S	TIRE-WHEEL ASSY		
3.	306-116H	PIN, GREASABLE AXLE		
4.	306-117V	PIN, GREASABLE AXLE		
5.	306-124H	TILT SPINDLE		
6.	800-080C	GREASE ZERK 1/4-28 THD FORMING		
7.	803-053C	NUT HEX SLOTTED 3/4-16		
8.	804-025C	WASHER FLAT 3/4 SAE PLT		
9.	804-029C	WASHER FLAT 1 SAE		
10.	805-004C	PIN CLEVIS 1 X 2 3/4 USABLE LG		
11.	805-041C	PIN ROLL 1/4X1 3/4		
12.	805-045C	PIN COTTER 5/32 X 1 1/4 LG		
13.	810-624C	CYL 3X8X1.25 ROD (TIE) NO PINS		
14.	810-624C	CYL 3X8X1.25 ROD (TIE) NO PINS		
15.	811-063C	EL 3/4MJIC 3/4MORB		
16.	811-088C	AD 3/4MORB 3/4MJIC		
17.	811-661C	HH3/8R2 168 3/4FJIC		
18.	811-661C	HH3/8R2 168 3/4FJIC		
19.	811-663C	HH3/8R2 225 3/4FJIC		
20.	811-663C	HH3/8R2 225 3/4FJIC		
21.	814-380C	WHEEL 15" 5 - 4.5 .25 POS. OFF		
22.	814-381C	TIRE 215/70R15		
23.	815-052C	HUB ASSY 5 BOLT 4 1/2 B.C.		
24.	816-035C	VALVE STEM TR415X.625X1 1/4 LG		
25.	306-120D	DRAG SCRAPER SPINDLE	Service Part Welding Required	

**Axle Tilt S/N 712501 to 743852**

Applies to BB4510, BB4512

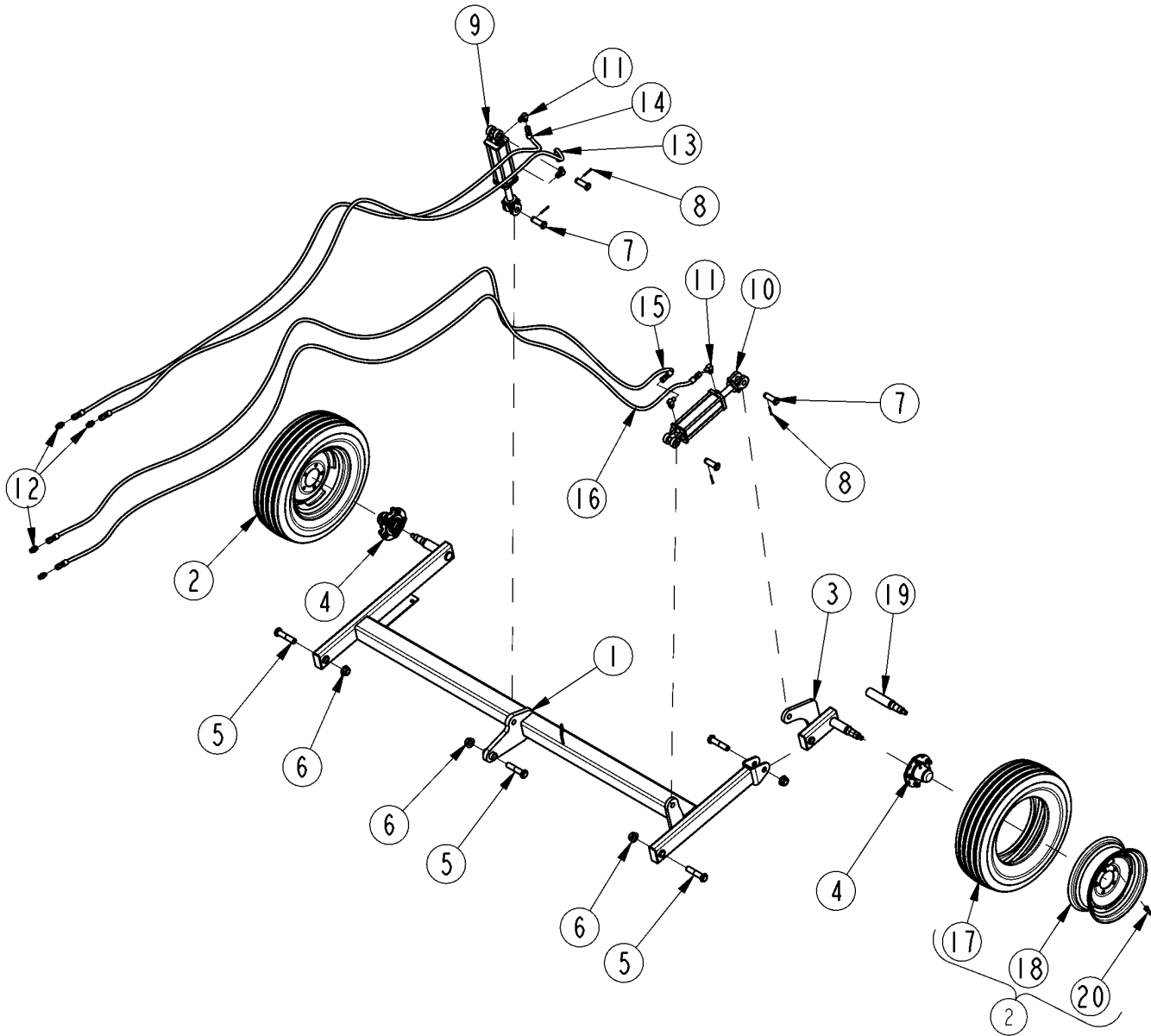


**Axle Tilt S/N 712501 to 743852****Applies to BB4510, BB4512**

<b>Ref</b>	<b>Part No.</b>	<b>Part Description</b>	<b>Comments</b>	<b>Revision</b>
	dwg33397	Drawing Image Number		
1.	306-106H	TILT AXLE		
2.	306-107S	TIRE-WHEEL ASSY		
3.	306-120D	DRAG SCRAPER SPINDLE	Service Part Welding Required	
4.	306-124H	TILT SPINDLE		
5.	802-098C	HHCS 1-8X4 1/2 GR5		
6.	803-053C	NUT HEX SLOTTED 3/4-16		
7.	803-258C	NUT HEX FLG LOCK 1-8 GR B PLT		
8.	804-025C	WASHER FLAT 3/4 SAE PLT		
9.	805-004C	PIN CLEVIS 1 X 2 3/4 USABLE LG		
10.	805-017C	PIN COTTER 3/16 X 1 3/4 PLT		
11.	805-045C	PIN COTTER 5/32 X 1 1/4 LG		
12.	810-624C	CYL 3X8X1.25 ROD (TIE) NO PINS		
13.	810-624C	CYL 3X8X1.25 ROD (TIE) NO PINS		
14.	811-063C	EL 3/4MJIC 3/4MORB		
15.	811-088C	AD 3/4MORB 3/4MJIC		
16.	811-661C	HH3/8R2 168 3/4FJIC		
17.	811-661C	HH3/8R2 168 3/4FJIC		
18.	811-663C	HH3/8R2 225 3/4FJIC		
19.	811-663C	HH3/8R2 225 3/4FJIC		
20.	814-380C	WHEEL 15" 5 - 4.5 .25 POS. OFF		
21.	814-381C	TIRE 215/70R15		
22.	815-052C	HUB ASSY 5 BOLT 4 1/2 B.C.		
23.	816-035C	VALVE STEM TR415X.625X1 1/4 LG		

**Axle Tilt S/N 743853 to 766591**

Applies to BB4510, BB4512



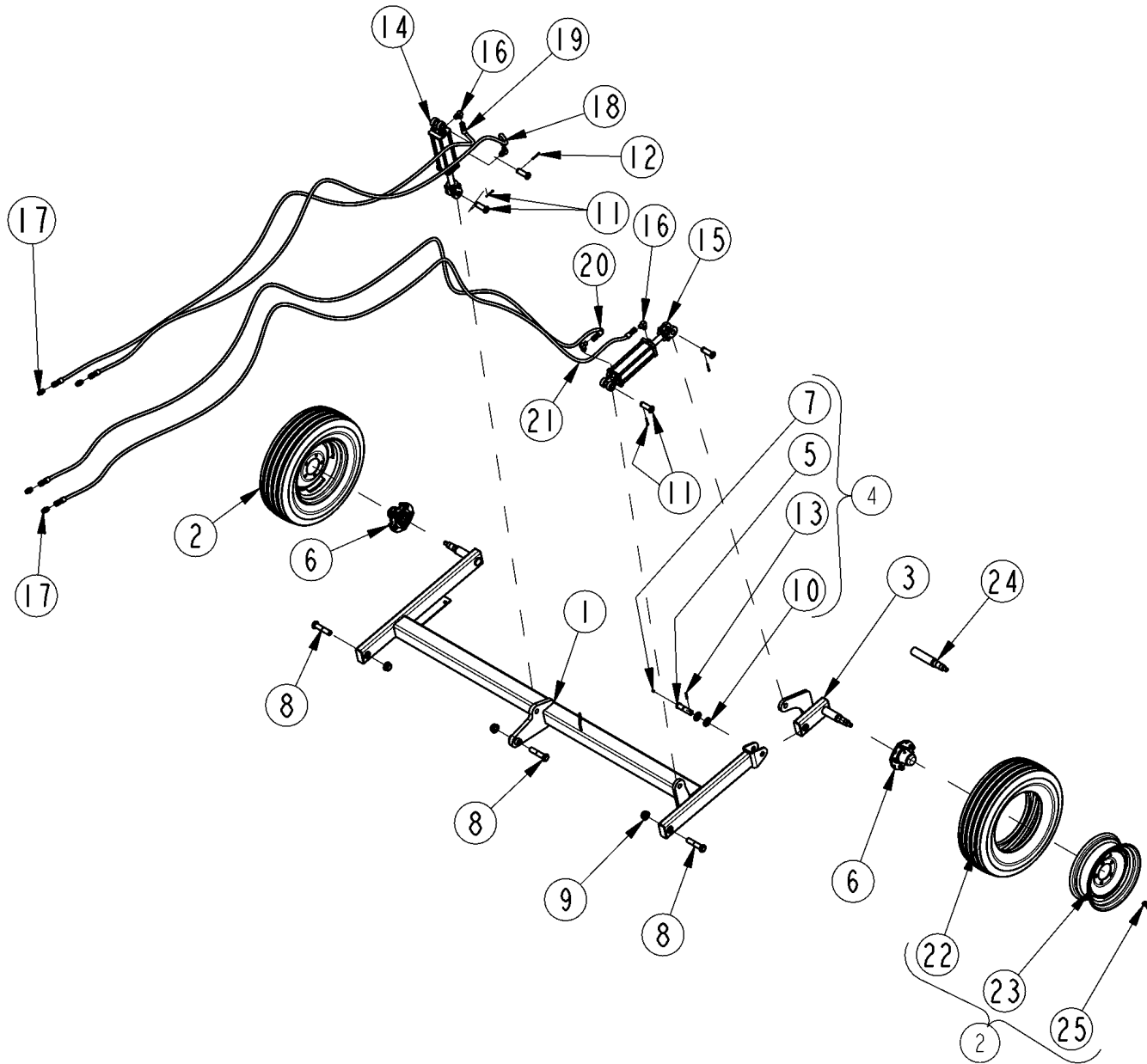
33881

**Axle Tilt S/N 743853 to 766591****Applies to BB4510, BB4512**

<b>Ref</b>	<b>Part No.</b>	<b>Part Description</b>	<b>Comments</b>	<b>Revision</b>
	dwg33881	Drawing Image Number		
1.	306-157H	TILT AXLE		
2.	306-160S	TIRE-WHEEL ASSY		
3.	306-161H	TILT AXLE - HEAVY		
4.	322-288K	HUB 5-BOLT COMPLETE W/ANG NUTS		
5.	802-098C	HHCS 1-8X4 1/2 GR5		
6.	803-258C	NUT HEX FLG LOCK 1-8 GR B PLT		
7.	805-004C	PIN CLEVIS 1 X 2 3/4 USABLE LG		
8.	805-017C	PIN COTTER 3/16 X 1 3/4 PLT		
9.	810-624C	CYL 3X8X1.25 ROD (TIE) NO PINS		
10.	810-624C	CYL 3X8X1.25 ROD (TIE) NO PINS		
11.	811-063C	EL 3/4MJIC 3/4MORB		
12.	811-088C	AD 3/4MORB 3/4MJIC		
13.	811-661C	HH3/8R2 168 3/4FJIC		
14.	811-661C	HH3/8R2 168 3/4FJIC		
15.	811-663C	HH3/8R2 225 3/4FJIC		
16.	811-663C	HH3/8R2 225 3/4FJIC		
17.	814-381C	TIRE 215/70R15		
18.	814-429C	WHEEL 15X5 - 5.5 BC .25 OFF		
19.	815-389C	DRAG SCRAPER WELD-ON SPINDLE	Service Part Welding Required	
20.	816-035C	VALVE STEM TR415X.625X1 1/4 LG		

**Axle Tilt S/N 766592+**

Applies to BB4510, BB4512



35162

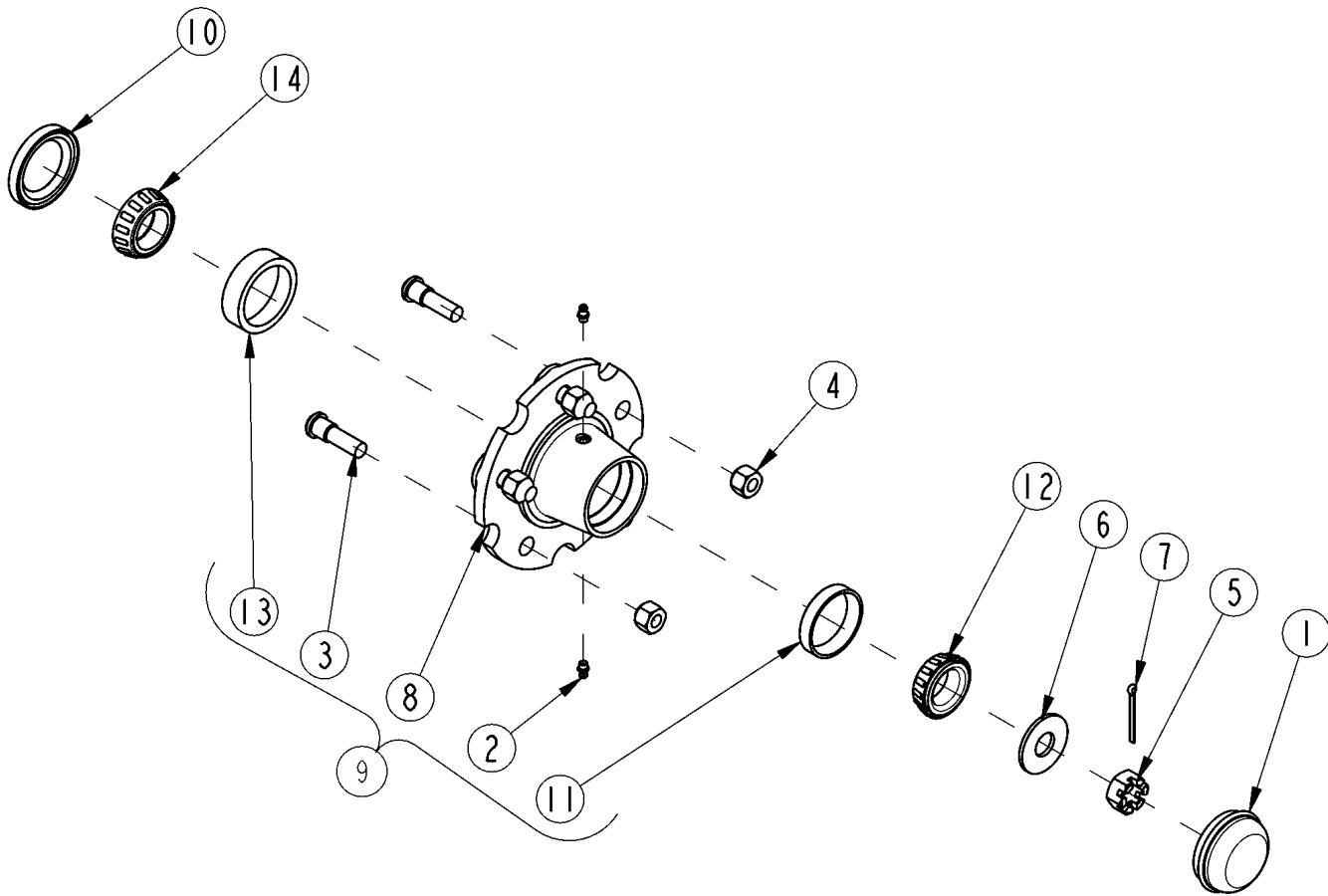


**Axle Tilt S/N 766592+****Applies to BB4510, BB4512**

<b>Ref</b>	<b>Part No.</b>	<b>Part Description</b>	<b>Comments</b>	<b>Revision</b>
	dwg35162	Drawing Image Number		
1.	306-157H	TILT AXLE		
2.	306-160S	TIRE-WHEEL ASSY		
3.	306-161H	TILT AXLE - HEAVY		
4.	306-162K	TILT AXLE PIVOT KIT		
5.	306-172D	PIN, GREASEABLE		
6.	322-288K	HUB 5-BOLT COMPLETE W/ANG NUTS		
7.	800-080C	GREASE ZERK 1/4-28 THD FORMING		
8.	802-098C	HHCS 1-8X4 1/2 GR5		
9.	803-258C	NUT HEX FLG LOCK 1-8 GR B PLT		
10.	804-029C	WASHER FLAT 1 SAE		
11.	805-004C	PIN CLEVIS 1 X 2 3/4 USABLE LG		
12.	805-017C	PIN COTTER 3/16 X 1 3/4 PLT		
13.	805-041C	PIN ROLL 1/4X1 3/4		
14.	810-624C	CYL 3X8X1.25 ROD (TIE) NO PINS		
15.	810-624C	CYL 3X8X1.25 ROD (TIE) NO PINS		
16.	811-063C	EL 3/4MJIC 3/4MORB		
17.	811-088C	AD 3/4MORB 3/4MJIC		
18.	811-661C	HH3/8R2 168 3/4FJIC		
19.	811-661C	HH3/8R2 168 3/4FJIC		
20.	811-663C	HH3/8R2 225 3/4FJIC		
21.	811-663C	HH3/8R2 225 3/4FJIC		
22.	814-381C	TIRE 215/70R15		
23.	814-429C	WHEEL 15X5 - 5.5 BC .25 OFF		
24.	815-389C	DRAG SCRAPER WELD-ON SPINDLE		
25.	816-035C	VALVE STEM TR415X.625X1 1/4 LG		

# Hub Assembly 5-Bolt (322-288K)

Applies to BB4510, BB4512



33882

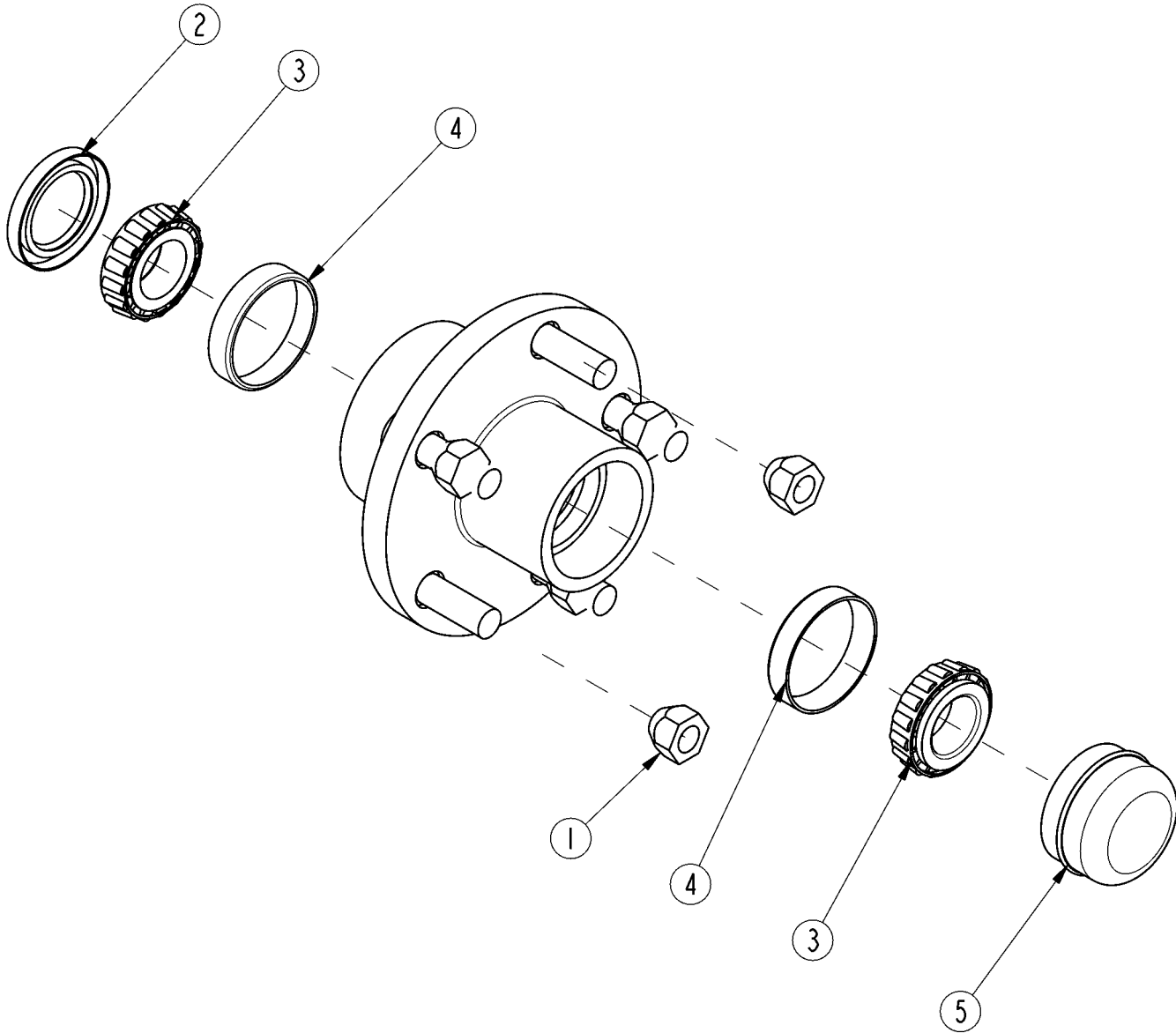
**Hub Assembly 5-Bolt (322-288K)**

**Applies to BB4510, BB4512**

Ref	Part No.	Part Description	Comments	Revision
	dwg33882	Drawing Image Number		
	322-288K	HUB 5-BOLT COMPLETE W/ANG NUTS *		
1.	200-001D	HUB GREASE CAP		
2.	800-080C	GREASE ZERK 1/4-28 THD FORMING		
3.	802-779C	HUB STUD 1/2-20X1.88 GR5		
4.	803-017C	NUT LUG 1/2-20X90DEG PLT 13/16		
5.	803-053C	NUT HEX SLOTTED 3/4-16		
6.	804-216C	WASHER HARDENED 3/4		
7.	805-246C	PIN COTTER 5/32 X 1 3/4 LG		
8.	815-242C	HUB 5-BOLT CASTING		
9.	815-243C	HUB 5-BOLT W/CUPS/STUDS		
10.	816-497C	SEAL 1.75ID CR17617		
11.	822-020C	BRG CUP LM-67010		
12.	822-021C	BRG CONE 1.25ID LM-67048		
13.	822-033C	BRG CUP LM-48510		
14.	822-034C	BRG CONE LM-48548		

# Hub Assembly 5-Bolt (815-052C)

Applies to BB4510, BB4512



33116

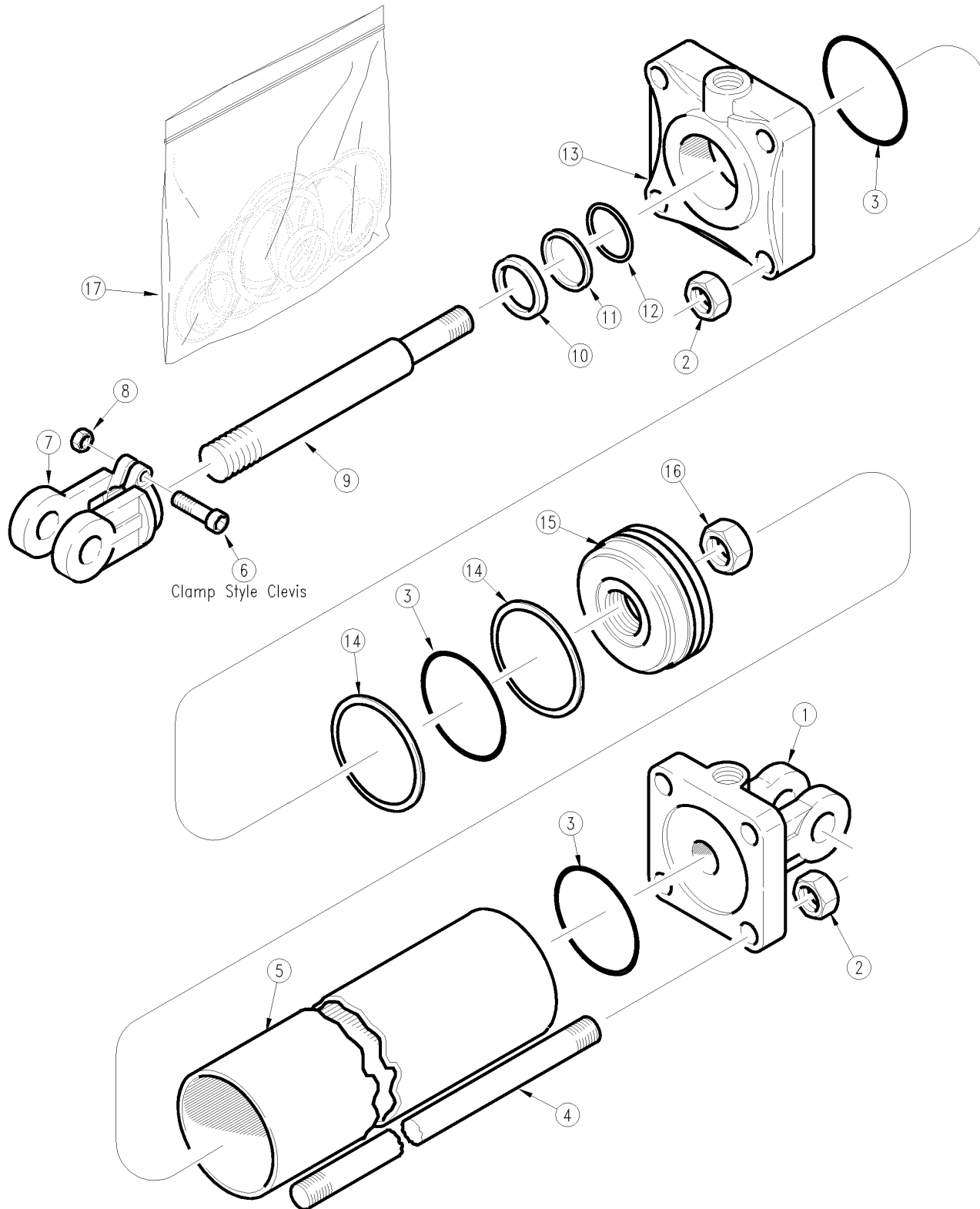
## **Hub Assembly 5-Bolt (815-052C)**

**Applies to BB4510, BB4512**

<b>Ref</b>	<b>Part No.</b>	<b>Part Description</b>	<b>Comments</b>	<b>Revision</b>
	dwg33116	Drawing Image Number		
	815-052C	HUB ASSY 5 BOLT 4 1/2 B.C. *		
1.	803-159C	NUT LUG 1/2-20X60DEG PLT(.75AF		
2.	816-014C	TINE GAUGE WHEEL HUB SEAL		
3.	822-030C	BRG CONE 1.00ID L44643		
4.	822-080C	BRG CUP 1.98OD L44610		
5.	890-614C	GREASE CAP #1505		

# Hydraulic Cylinder (810-624C) Midway

Applies to BB4510, BB4512



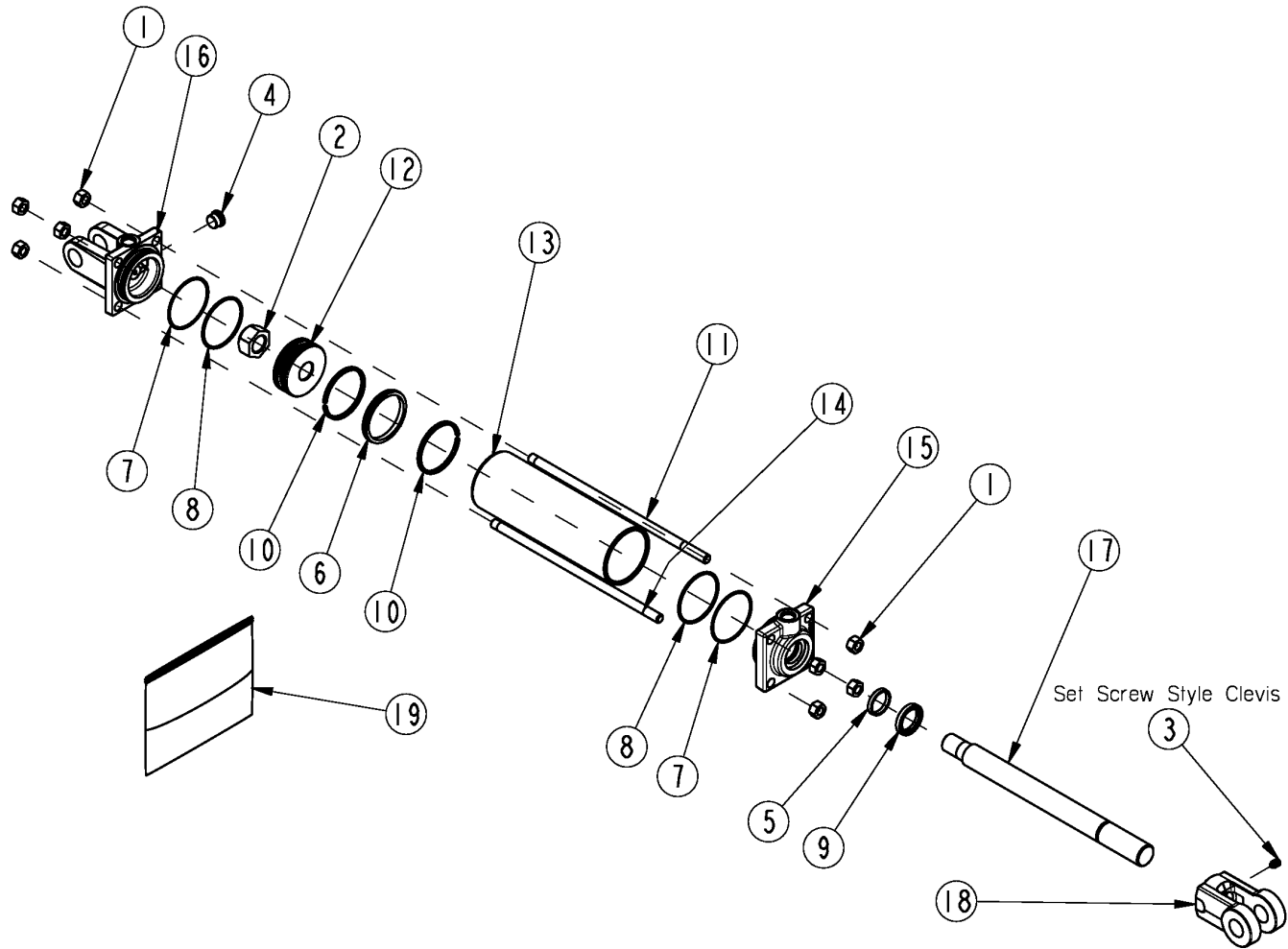
12499

**Hydraulic Cylinder (810-624C) Midway****Applies to BB4510, BB4512**

<b>Ref</b>	<b>Part No.</b>	<b>Part Description</b>	<b>Comments</b>	<b>Revision</b>
	Dwg 12499	Drawing Image Number		
	810-624C	CYL 3X8X1.25 ROD (TIE) NO PINS *		
1.	6R1164-ADI	MIDWAY ADI BASE		
1.	6M4166	RPBY 6R1164-ADI		
2.	2A0014	MW TIE ROD NUT		
3.		O-RING	Only found in sealkit 17	
4.	7M4316	MW TIE ROD 3 X 8 CYLINDER		
5.	5M4116	MW TUBE 3 X 8 CYLINDER		
6.	2A0006	MW CAPSCREW		
7.	1M6010-ADI	MIDWAY HARDENED CLEVIS ADI		
8.	2A0012	MW NUT CLEVIS & TIE ROD		
9.	2M4416	MW ROD 1-1/4 DIA X 8 STROKE		
10.		WIPER	Only found in sealkit 17	
11.		BACK-UP	Only found in sealkit 17	
12.		O-RING	Only found in sealkit 17	
13.	3M4412	MW HEAD CAP 3X1-1/4 ROD 3/4SAE		
14.		BACK-UP	Only found in sealkit 17	
15.	4M4104	MW PISTON 3 DIA.		
16.	2A0024	MW PISTON NUT 1-14		
17.	810-015C	CYL SEAL KIT 3 X 7 MW 3A4104		

# Hydraulic Cylinder (810-624C) Red Lion

Applies to BB4510, BB4512



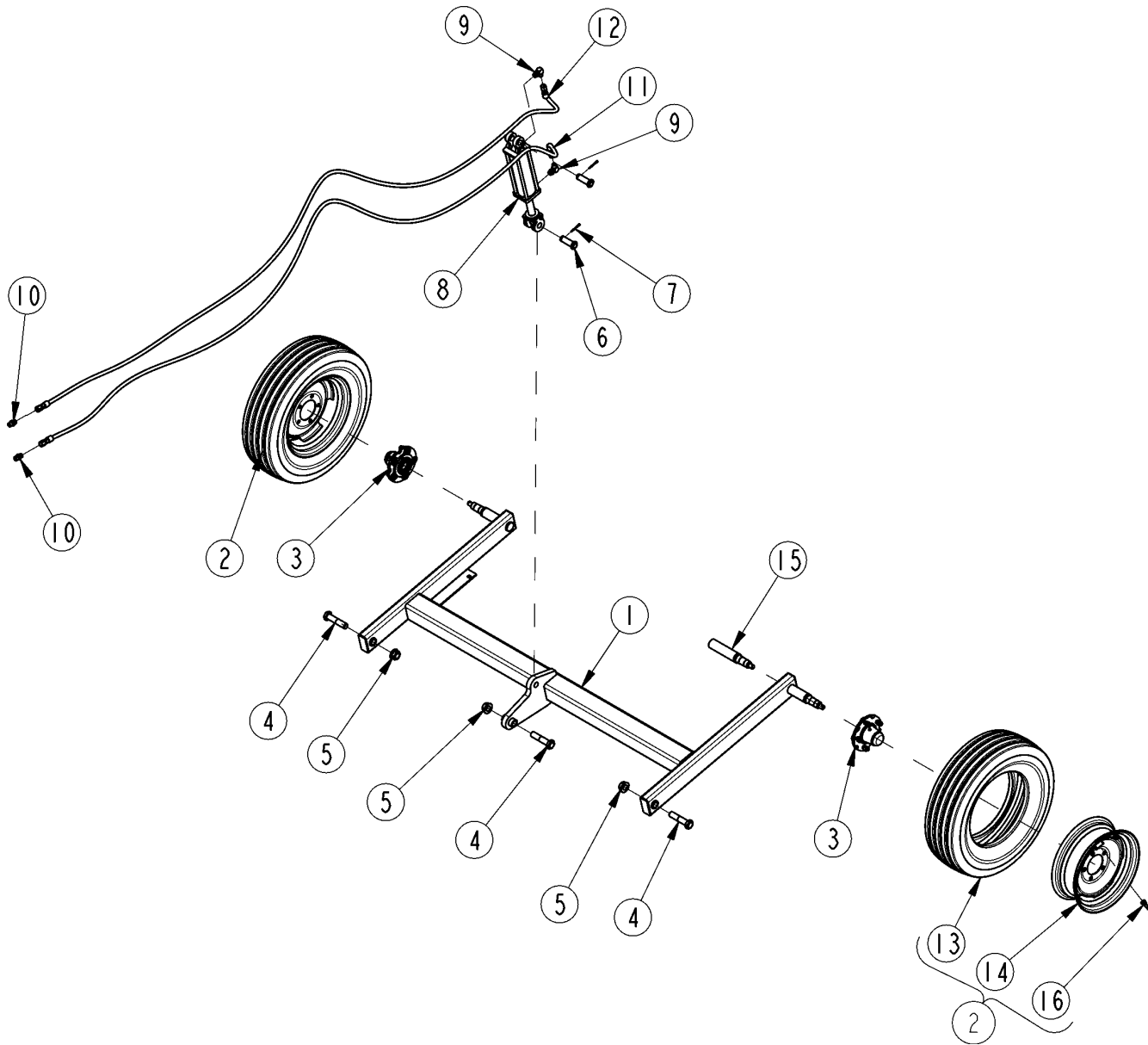


***Hydraulic Cylinder (810-624C) Red Lion*****Applies to BB4510, BB4512**

<b>Ref</b>	<b>Part No.</b>	<b>Part Description</b>	<b>Comments</b>	<b>Revision</b>
	Dwg 25896 810-624C	Drawing Image Number CYL 3X8X1.25 ROD (TIE) NO PINS *		
1.	803-020C	NUT HEX 1/2-13 PLT		
2.	130560	MON PISTON NUT		
3.	801-023C	SCREW SET SH 3/8-16X3/8 TYPE C		
4.	186562	LION PLUG 3/4-16UNF SOCKET HD		
5.	N/A	MON ROD SEAL	Only found in seal kit #19	
6.	N/A	MON PISTON SEAL (PSP)	Only found in seal kit #19	
7.	N/A	MON END CAP B/U WASHER	Only found in seal kit #19	
8.	N/A	MON END CAP O-RING	Only found in seal kit #19	
9.	N/A	SEAL WIPER ROD	Only found in seal kit #19	
10.	N/A	MON PISTON WEAR RING	Only found in seal kit #19	
11.	292003	MON TIE ROD EXTND THD		
12.	258818	MON PISTON 2.50-.750-TSS-ISO-WR		
13.	491738	MON CYL TUBE		
14.	492278	MON TIE ROD		
15.	494391	MON ROD CP2.50-1.12-9/16ORB-TS		
16.	492675	MON CLEVIS CAP		
17.	493211	MON CYL ROD		
18.	493830	LION HARDENED ROD CLEVIS 1 1/4		
19.	810-887C	MON SEAL KIT 661702		

### **Axle Standard (Non-Tilt)**

Applies to BB4596



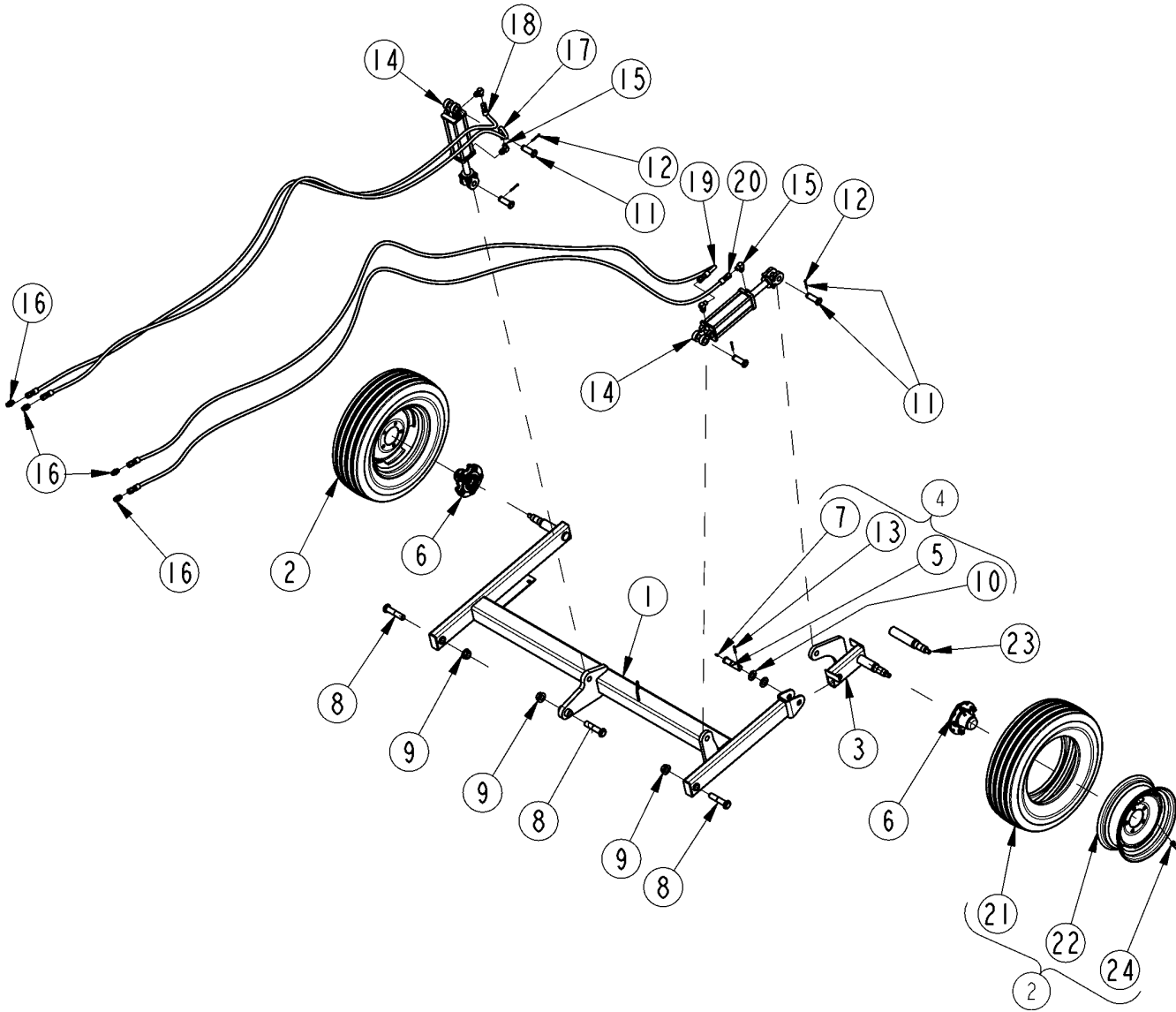
33985

**Axle Standard (Non-Tilt)****Applies to BB4596**

<b>Ref</b>	<b>Part No.</b>	<b>Part Description</b>	<b>Comments</b>	<b>Revision</b>
	dwg33985	Drawing Image Number		
1.	306-130H	STANDARD AXLE 96"		
2.	306-160S	TIRE-WHEEL ASSY		
3.	322-288K	HUB 5-BOLT COMPLETE W/ANG NUTS		
4.	802-098C	HHCS 1-8X4 1/2 GR5		
5.	803-258C	NUT HEX FLG LOCK 1-8 GR B PLT		
6.	805-004C	PIN CLEVIS 1 X 2 3/4 USABLE LG		
7.	805-017C	PIN COTTER 3/16 X 1 3/4 PLT		
8.	810-624C	CYL 3X8X1.25 ROD (TIE) NO PINS		
9.	811-063C	EL 3/4MJIC 3/4MORB		
10.	811-088C	AD 3/4MORB 3/4MJIC		
11.	811-661C	HH3/8R2 168 3/4FJIC		
12.	811-661C	HH3/8R2 168 3/4FJIC		
13.	814-381C	TIRE 215/70R15		
14.	814-429C	WHEEL 15X5 - 5.5 BC .25 OFF		
15.	815-389C	DRAG SCRAPER WELD-ON SPINDLE	Service Part Welding Required	
16.	816-035C	VALVE STEM TR415X.625X1 1/4 LG		

# Axle Tilt

Applies to BB4596



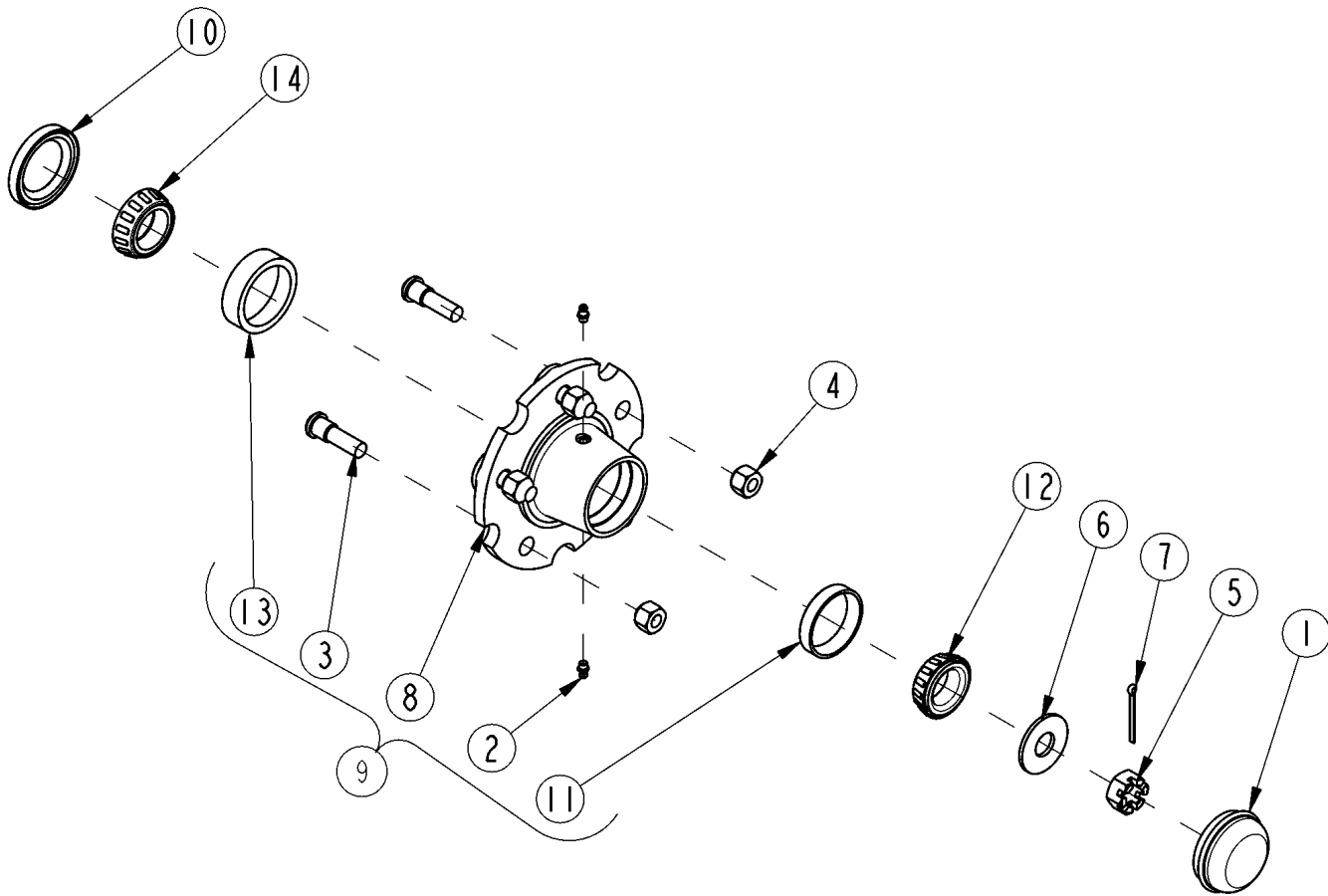
33986

**Axle Tilt****Applies to BB4596**

<b>Ref</b>	<b>Part No.</b>	<b>Part Description</b>	<b>Comments</b>	<b>Revision</b>
	dwg33986	Drawing Image Number		
1.	306-131H	TILT AXLE 96"		
2.	306-160S	TIRE-WHEEL ASSY		
3.	306-161H	TILT AXLE - HEAVY		
4.	306-162K	TILT AXLE PIVOT KIT		
5.	306-172D	PIN, GREASEABLE		
6.	322-288K	HUB 5-BOLT COMPLETE W/ANG NUTS		
7.	800-080C	GREASE ZERK 1/4-28 THD FORMING		
8.	802-098C	HHCS 1-8X4 1/2 GR5		
9.	803-258C	NUT HEX FLG LOCK 1-8 GR B PLT		
10.	804-029C	WASHER FLAT 1 SAE		
11.	805-004C	PIN CLEVIS 1 X 2 3/4 USABLE LG		
12.	805-017C	PIN COTTER 3/16 X 1 3/4 PLT		
13.	805-041C	PIN ROLL 1/4X1 3/4		
14.	810-624C	CYL 3X8X1.25 ROD (TIE) NO PINS		
15.	811-063C	EL 3/4MJIC 3/4MORB		
16.	811-088C	AD 3/4MORB 3/4MJIC		
17.	811-661C	HH3/8R2 168 3/4FJIC		
18.	811-661C	HH3/8R2 168 3/4FJIC		
19.	811-989C	HH3/8R2 213 3/4FJIC		
20.	811-989C	HH3/8R2 213 3/4FJIC		
21.	814-381C	TIRE 215/70R15		
22.	814-429C	WHEEL 15X5 - 5.5 BC .25 OFF		
23.	815-389C	DRAG SCRAPER WELD-ON SPINDLE	Service Part Welding Required	
24.	816-035C	VALVE STEM TR415X.625X1 1/4 LG		

# Hub Assembly 5-Bolt (322-288K)

Applies to BB4596



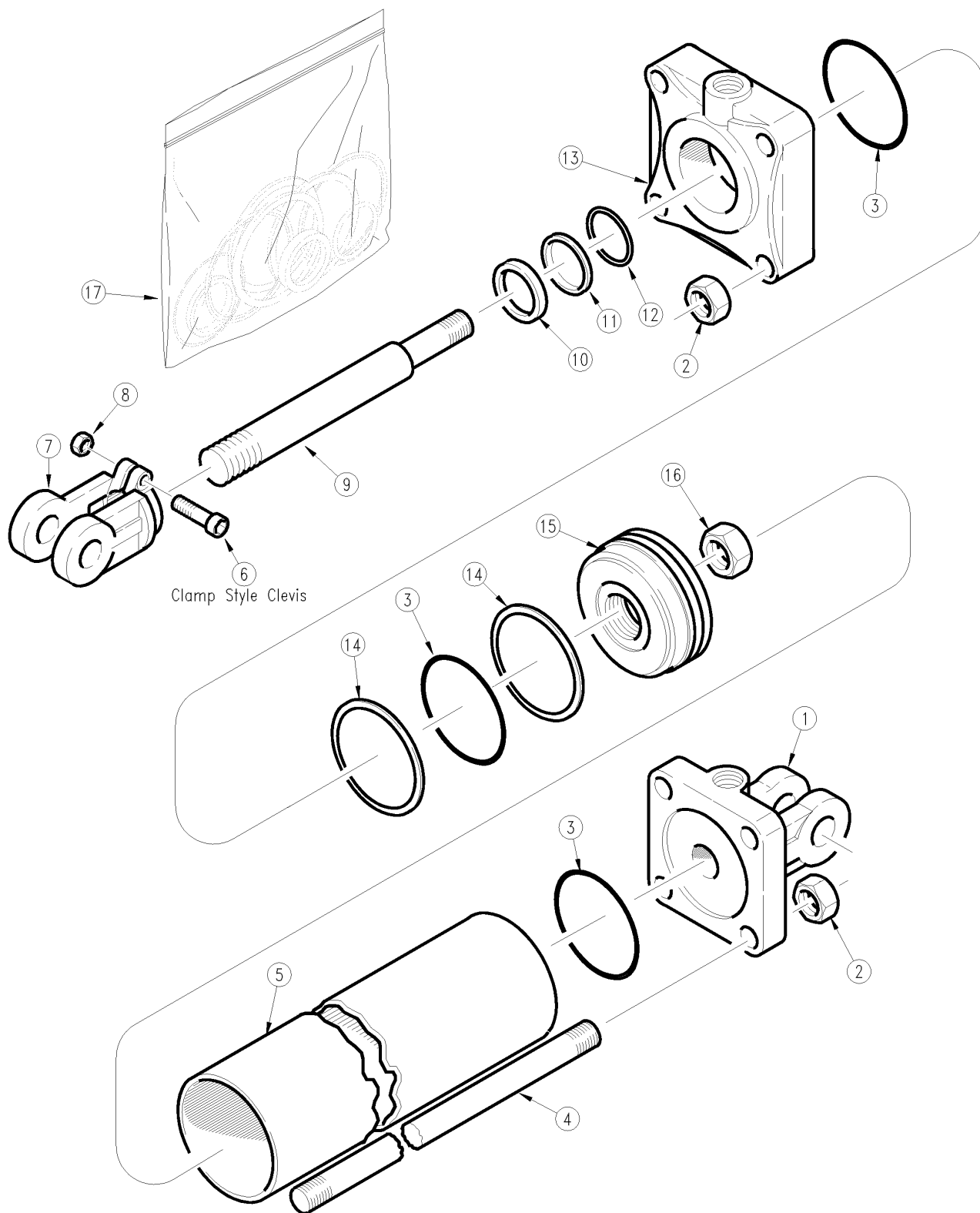
33882

**Hub Assembly 5-Bolt (322-288K)****Applies to BB4596**

<b>Ref</b>	<b>Part No.</b>	<b>Part Description</b>	<b>Comments</b>	<b>Revision</b>
	dwg33882	Drawing Image Number		
	322-288K	HUB 5-BOLT COMPLETE W/ANG NUTS *		
1.	200-001D	HUB GREASE CAP		
2.	800-080C	GREASE ZERK 1/4-28 THD FORMING		
3.	802-779C	HUB STUD 1/2-20X1.88 GR5		
4.	803-017C	NUT LUG 1/2-20X90DEG PLT 13/16		
5.	803-053C	NUT HEX SLOTTED 3/4-16		
6.	804-216C	WASHER HARDENED 3/4		
7.	805-246C	PIN COTTER 5/32 X 1 3/4 LG		
8.	815-242C	HUB 5-BOLT CASTING		
9.	815-243C	HUB 5-BOLT W/CUPS/STUDS		
10.	816-497C	SEAL 1.75ID CR17617		
11.	822-020C	BRG CUP LM-67010		
12.	822-021C	BRG CONE 1.25ID LM-67048		
13.	822-033C	BRG CUP LM-48510		
14.	822-034C	BRG CONE LM-48548		

# Hydraulic Cylinder (810-624C) Midway

Applies to BB4596



12499

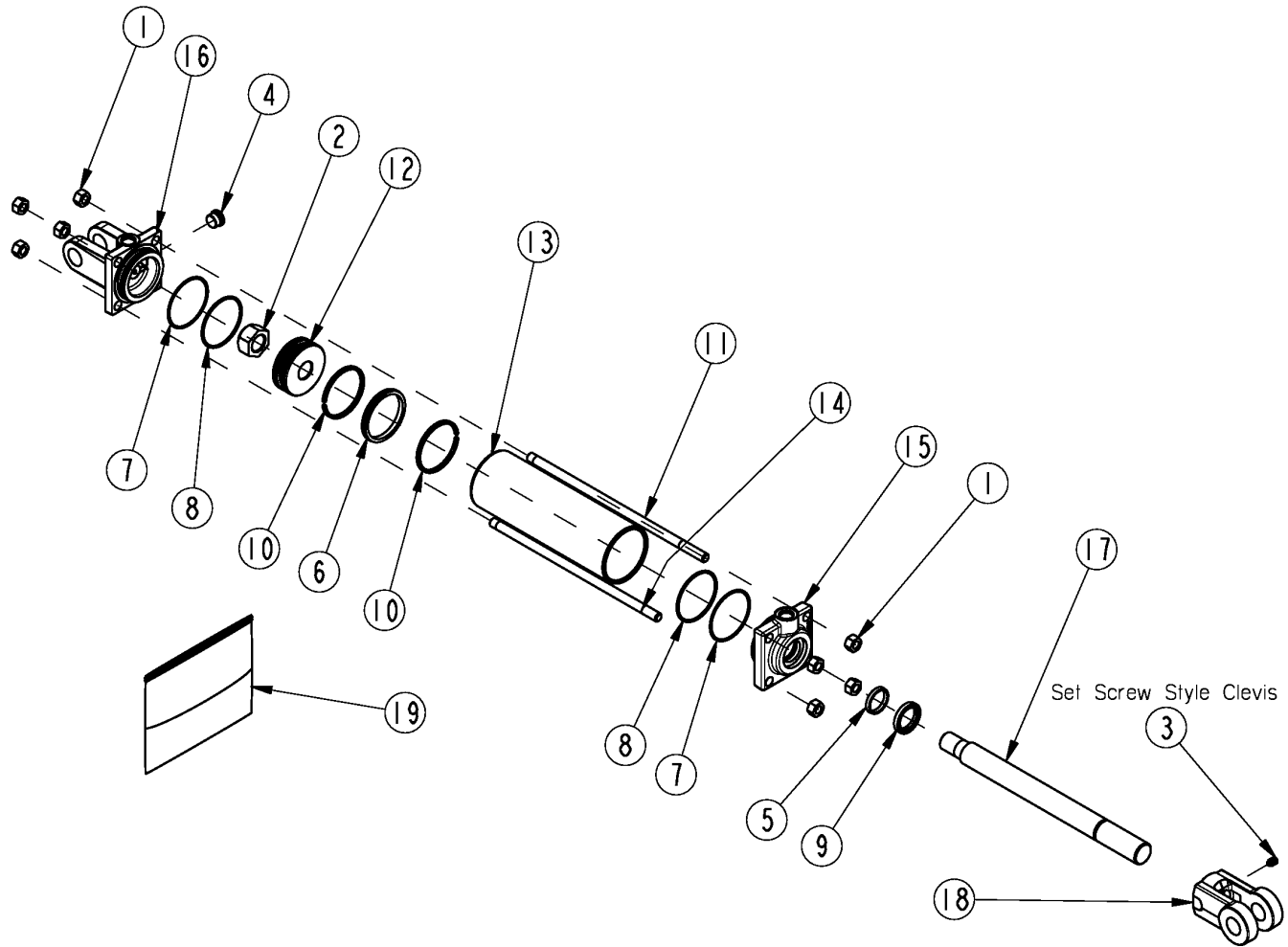


***Hydraulic Cylinder (810-624C) Midway*****Applies to BB4596**

<b>Ref</b>	<b>Part No.</b>	<b>Part Description</b>	<b>Comments</b>	<b>Revision</b>
	Dwg 12499	Drawing Image Number		
	810-624C	CYL 3X8X1.25 ROD (TIE) NO PINS *		
1.	6R1164-ADI	MIDWAY ADI BASE		
1.	6M4166	RPBY 6R1164-ADI		
2.	2A0014	MW TIE ROD NUT		
3.		O-RING	Only found in sealkit 17	
4.	7M4316	MW TIE ROD 3 X 8 CYLINDER		
5.	5M4116	MW TUBE 3 X 8 CYLINDER		
6.	2A0006	MW CAPSCREW		
7.	1M6010-ADI	MIDWAY HARDENED CLEVIS ADI		
8.	2A0012	MW NUT CLEVIS & TIE ROD		
9.	2M4416	MW ROD 1-1/4 DIA X 8 STROKE		
10.		WIPER	Only found in sealkit 17	
11.		BACK-UP	Only found in sealkit 17	
12.		O-RING	Only found in sealkit 17	
13.	3M4412	MW HEAD CAP 3X1-1/4 ROD 3/4SAE		
14.		BACK-UP	Only found in sealkit 17	
15.	4M4104	MW PISTON 3 DIA.		
16.	2A0024	MW PISTON NUT 1-14		
17.	810-015C	CYL SEAL KIT 3 X 7 MW 3A4104		

# Hydraulic Cylinder (810-624C) Red Lion

Applies to BB4596



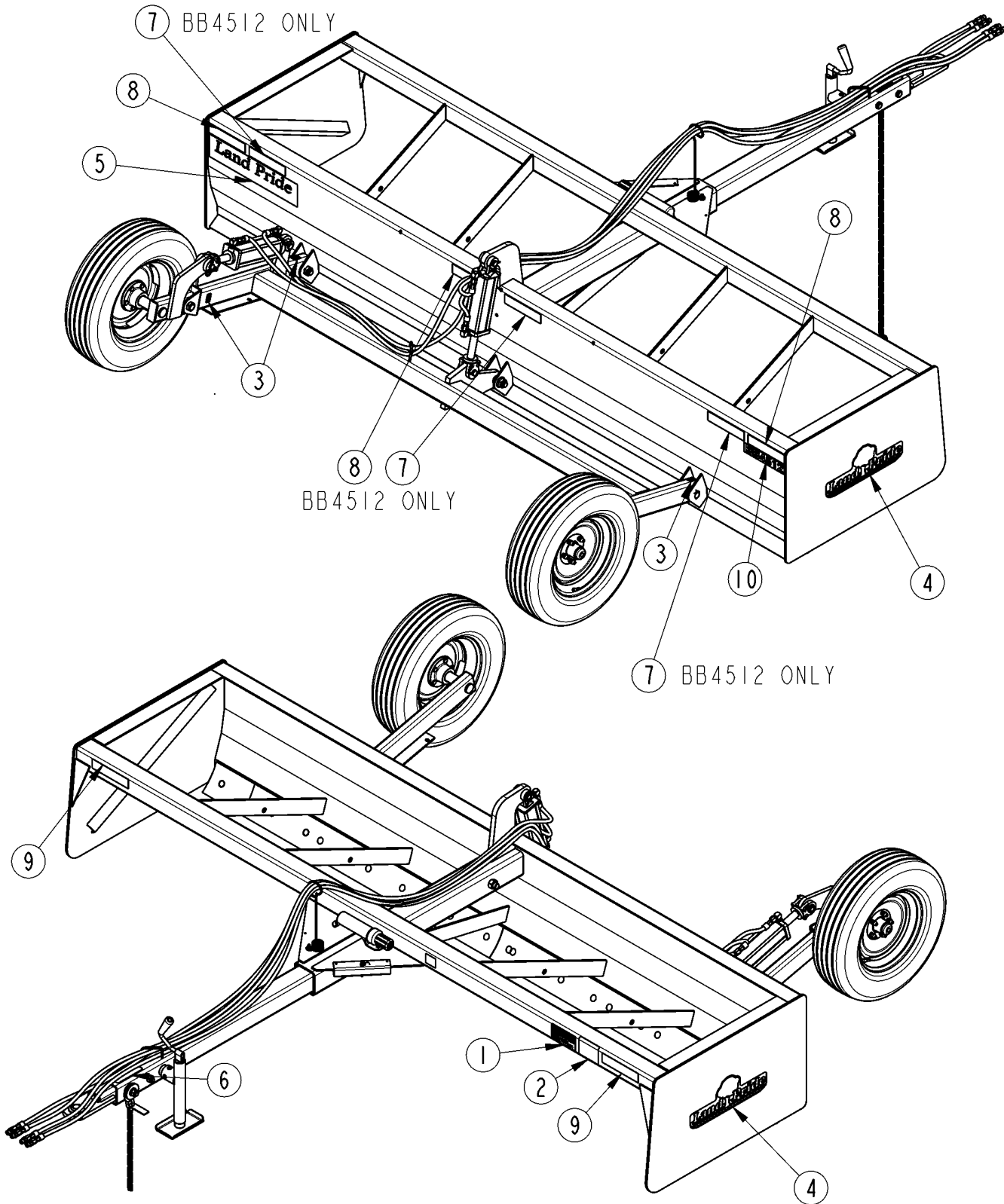
25896

***Hydraulic Cylinder (810-624C) Red Lion*****Applies to BB4596**

<b>Ref</b>	<b>Part No.</b>	<b>Part Description</b>	<b>Comments</b>	<b>Revision</b>
	Dwg 25896 810-624C	Drawing Image Number CYL 3X8X1.25 ROD (TIE) NO PINS *		
1.	803-020C	NUT HEX 1/2-13 PLT		
2.	130560	MON PISTON NUT		
3.	801-023C	SCREW SET SH 3/8-16X3/8 TYPE C		
4.	186562	LION PLUG 3/4-16UNF SOCKET HD		
5.	N/A	MON ROD SEAL	Only found in seal kit #19	
6.	N/A	MON PISTON SEAL (PSP)	Only found in seal kit #19	
7.	N/A	MON END CAP B/U WASHER	Only found in seal kit #19	
8.	N/A	MON END CAP O-RING	Only found in seal kit #19	
9.	N/A	SEAL WIPER ROD	Only found in seal kit #19	
10.	N/A	MON PISTON WEAR RING	Only found in seal kit #19	
11.	292003	MON TIE ROD EXTND THD		
12.	258818	MON PISTON 2.50-.750-TSS-ISO-WR		
13.	491738	MON CYL TUBE		
14.	492278	MON TIE ROD		
15.	494391	MON ROD CP2.50-1.12-9/16ORB-TS		
16.	492675	MON CLEVIS CAP		
17.	493211	MON CYL ROD		
18.	493830	LION HARDENED ROD CLEVIS 1 1/4		
19.	810-887C	MON SEAL KIT 661702		

### Decal Placement

Applies to BB4510, BB4512, BB4596



27947

***Decal Placement*****Applies to BB4510, BB4512, BB4596**

<b>Ref</b>	<b>Part No.</b>	<b>Part Description</b>	<b>Comments</b>	<b>Revision</b>
	Dwg 27947	Drawing Image Number		
1.	818-188C	DECAL WARNING 20 MPH TRANS LRG		
2.	818-267C	DECAL CAUTION - BOX SCRAPER		
3.	818-298C	DECAL GREASE 25HRS BLACK/WHITE	S/N 712500- BB4510 & BB4512	
4.	818-895C	RPBY 848-450C	Beige Unit	
4.	848-450C	DECAL LP W/TREE 19" BROWN/GOLD	Orange Unit	
5.	818-907C	RPBY 838-966C	Beige Unit	
5.	838-966C	DECAL LANDPRIDE 22" BROWN/GOLD	Orange Unit	
6.	838-094C	DECAL WARNING HYD PRESS LONG		
7.	838-603C	DECAL REFLECTOR ORANGE 2X9	BB4512 Only	
8.	838-614C	DECAL REFLECTOR RED 2X9		
9.	838-615C	DECAL REFLECTOR AMBER 2X9		
10.	848-437C	DECAL BB4512 GOLD		
10.	848-439C	RPBY 848-437C	Obsolete	
10.	848-436C	DECAL BB4510 GOLD		
10.	848-438C	RPBY 848-436C	Obsolete	
10.	848-738C	DECAL BB4596 GOLD		
10.	848-739C	RPBY 848-738C	Obsolete	

## ***Land Pride Touch-up Paints***

---

Applies to BB4510, BB4512, BB4596

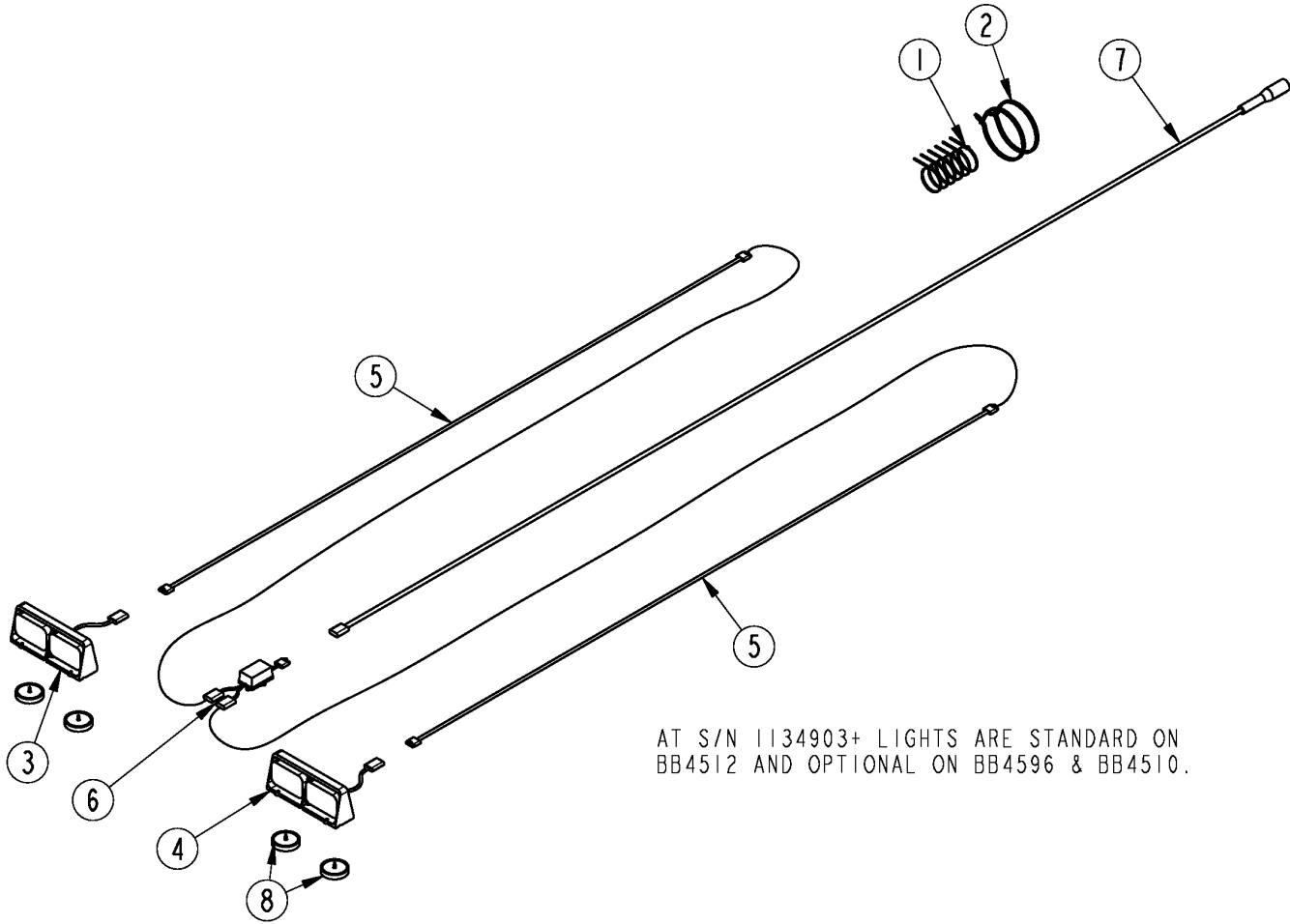
**No diagram associated with this Parts List**

**Land Pride Touch-up Paints****Applies to BB4510, BB4512, BB4596**

<b>Ref</b>	<b>Part No.</b>	<b>Part Description</b>	<b>Comments</b>	<b>Revision</b>
1.	821-011C	LP BEIGE SPRAY CAN	Spray can	
1.	821-070C	GLOSS BLACK SPRAY CAN	Spray can	
1.	821-054C	MED. RED SPRAY TRCK/CTR	Spray can	
1.	821-058C	GREEN SPRAY CUTTERS	Spray can	
1.	821-066C	ORANGE SPRAY CAN	Spray can	
1.	821-067C	BLUE SPRAY CAN	Spray can	
1.	821-080C	PAINT ALUMINUM/ZINC SPRAY CAN	Spray can	
2.	821-011CTU	LP BEIGE TOUCH-UP 5OZ	Touch-up bottle with brush	
2.	821-070CTU	GLOSS BLACK TOUCH-UP 5OZ	Touch-up bottle with brush	
2.	821-054CTU	MED RED TOUCH-UP 5OZ	Touch-up bottle with brush	
2.	821-058CTU	GREEN TOUCH-UP 5OZ	Touch-up bottle with brush	
2.	821-066CTU	ORANGE TOUCH-UP 5OZ	Touch-up bottle with brush	
2.	821-067CTU	BLUE TOUCH-UP 5OZ	Touch-up bottle with brush	
2.	821-080CTU	PAINT ALUMINUM/ZINC TOUCH UP	Touch-up bottle with brush	
3.	821-011CQT	LP BEIGE QUART	Quart can	
3.	821-070CQT	GLOSS BLACK QUART	Quart can	
3.	821-054CQT	MED RED QUART	Quart can	
3.	821-058CQT	GREEN QUART	Quart can	
3.	821-066CQT	ORANGE QUART	Quart can	
3.	821-067CQT	BLUE QUART	Quart can	
3.	821-080CQT	PAINT ALUMINUM/ZINC QUART	Quart can	
4.	821-011CGL	LP BEIGE GALLON	Gallon can	
4.	821-070CGL	GLOSS BLACK GALLON	Gallon can	
4.	821-054CGL	MED RED GALLON	Gallon can	
4.	821-058CGL	GREEN GALLON	Gallon can	
4.	821-066CGL	ORANGE GALLON	Gallon can	
4.	821-067CGL	BLUE GALLON	Gallon can	
4.	821-080CGL	PAINT ALUMINUM/ZINC GALLON	Gallon can	

# Lights

Applies to BB4510, BB4596



AT S/N 1134903+ LIGHTS ARE STANDARD ON  
BB4512 AND OPTIONAL ON BB4596 & BB4510.



**Lights****Applies to BB4510, BB4596**

<b>Ref</b>	<b>Part No.</b>	<b>Part Description</b>	<b>Comments</b>	<b>Revision</b>
	Dwg 39385 306-164A	Drawing Image Number LIGHT KIT *	S/N 1015951+	
1.	800-060C	CABLE TIE .19X14.25 3DIA 50LB		
2.	800-082C	CABLE TIE .31X21.5 6DIA 120LB		
3.	891-522C	DUAL LED LIGHT LH	Complete light assembly	
3.	J-37-R	RED LED LENS MODULE	Red lens	
3.	J-37-A	AMBER LED LENS MODULE	Amber lens	
3.	J-AC1-15-B	BLACK LENS COVER	Black lens	
4.	891-523C	DUAL LED LIGHT RH	Complete light assembly	
4.	J-37-R	RED LED LENS MODULE	Red lens	
4.	J-37-A	AMBER LED LENS MODULE	Amber lens	
4.	J-AC1-15-B	BLACK LENS COVER	Black lens	
5.	891-529C	LIGHT WIRE HARNESS 8'		
5.	891-530C	RPBY 891-529C	Obsolete	
6.	891-531C	ENHANCE MODULE		
7.	891-533C	LEAD WIRE HARNESS 13'		
8.	891-534C	LIGHT MAGNETS WITH HARDWARE		



# Part Number Index

The Part Number Index is a numeric index of all part numbers included in this manual. The index shows what page(s) the part is used on.

Part Number	Page	Part Number	Page	Part Number	Page	Part Number	Page
130560	41, 51	801-023C	41, 51	816-035C	21, 23, 25, 27,	Dwg 25896	41, 51
186562	41, 51	802-005C	7		29, 31, 33, 43, 45	Dwg 27942	7
1M6010-ADI	39, 49	802-034C	17	816-497C	35, 47	Dwg 27944	13
200-001D	35, 47	802-069C	9, 11	816-504C	7	Dwg 27947	53
258818	41, 51	802-070C	7, 9, 11	818-188C	53	Dwg 39385	15, 57
292003	41, 51	802-074C	7	818-267C	53	Dwg 70164	11
2A0006	39, 49	802-079C	7	818-298C	53	dwg27943	17
2A0012	39, 49	802-098C	19, 23, 25, 29,	818-895C	53	dwg27945	27
2A0014	39, 49		31, 33, 43, 45	818-907C	53	dwg27946	21
2A0024	39, 49	802-206C	7	820-035C	7	dwg27949	9
2M4416	39, 49	802-280C	7, 13	820-073C	7	dwg33116	37
306-099H	7	802-360C	13	820-079C	7	dwg33396	23
306-099H82	7	802-779C	35, 47	821-011C	55	dwg33397	29
306-100H	7	803-006C	7	821-011CGL	55	dwg33400	19
306-100H82	7	803-013C	7	821-011CQCT	55	dwg33880	25
306-101H	7	803-017C	35, 47	821-011CTU	55	dwg33881	31
306-101H82	7	803-020C	17, 41, 51	821-054C	55	dwg33882	35, 47
306-103H	21, 23	803-026C	7, 9, 11, 13	821-054CGL	55	dwg33985	43
306-106H	27, 29	803-038C	7	821-054CQCT	55	dwg33986	45
306-107S	21, 23, 27, 29	803-053C	21, 23, 27, 29,	821-054CTU	55	dwg35162	33
306-109H	13		35, 47	821-058C	55	J-37-A	15, 57
306-110H	11	803-159C	37	821-058CGL	55	J-37-R	15, 57
306-111H	9	803-168C	7	821-058CQCT	55	J-AC1-15-B	15, 57
306-112H	13	803-258C	19, 23, 25, 29,	821-058CTU	55	N/A	41, 51
306-113A	13		31, 33, 43, 45	821-066C	55		
306-114A	17	803-263C	7	821-066CGL	55		
306-115H	17	803-301C	13	821-066CQCT	55		
306-116H	21, 27	804-006C	7	821-066CTU	55		
306-117V	21, 27	804-007C	7	821-067C	55		
306-120D	21, 23, 27, 29	804-011C	7	821-067CGL	55		
306-121A	11	804-015C	17	821-067CQCT	55		
306-122A	9	804-016C	17	821-067CTU	55		
306-124H	27, 29	804-025C	7, 21, 23, 27, 29	821-070C	55		
306-128H	7	804-029C	19, 21, 27, 33, 45	821-070CGL	55		
306-128H82	7	804-114C	13	821-070CQCT	55		
306-130H	43	804-171C	13	821-070CTU	55		
306-131H	45	804-216C	35, 47	821-080C	55		
306-134H	17	805-004C	21, 23, 25, 27,	821-080CGL	55		
306-135A	17		29, 31, 33, 43, 45	821-080CQCT	55		
306-150E	19	805-017C	21, 23, 25, 29,	821-080CTU	55		
306-151A	19		31, 33, 43, 45	822-020C	35, 47		
306-152E	19	805-041C	21, 27, 33, 45	822-021C	35, 47		
306-156H	25	805-045C	21, 23, 27, 29	822-030C	37		
306-157H	31, 33	805-065C	7	822-033C	35, 47		
306-160S	25, 31, 33, 43, 45	805-105C	13	822-034C	35, 47		
306-161H	31, 33, 45	805-246C	35, 47	822-080C	37		
306-162K	33, 45	807-023C	7	838-094C	53		
306-163L	15	810-015C	39, 49	838-603C	53		
306-164A	57	810-624C	21, 23, 25, 27,	838-614C	53		
306-172D	33, 45		29, 31, 33, 39,	838-615C	53		
318-775D	7		41, 43, 45, 49, 51	838-966C	53		
322-288K	25, 31, 33, 35,	810-887C	41, 51	848-436C	53		
	43, 45, 47	811-063C	21, 23, 25, 27,	848-437C	53		
3M4412	39, 49		29, 31, 33, 43, 45	848-438C	53		
401-372D	7	811-088C	21, 23, 25, 27,	848-439C	53		
491738	41, 51		29, 31, 33, 43, 45	848-450C	53		
492278	41, 51	811-661C	21, 23, 25, 27,	848-738C	53		
492675	41, 51		29, 31, 33, 43, 45	848-739C	53		
493211	41, 51	811-663C	27, 29, 31, 33	890-118C	7		
493830	41, 51	811-989C	45	890-182C	7		
494391	41, 51	814-380C	21, 23, 27, 29	890-614C	37		
4M4104	39, 49	814-381C	21, 23, 25, 27,	891-246C	7		
5M4116	39, 49		29, 31, 33, 43, 45	891-522C	15, 57		
6M4166	39, 49	814-429C	25, 31, 33, 43, 45	891-523C	15, 57		
6R1164-ADI	39, 49	815-052C	21, 23, 27, 29, 37	891-529C	15, 57		
7M4316	39, 49	815-242C	35, 47	891-530C	15, 57		
800-060C	15, 57	815-243C	35, 47	891-531C	15, 57		
800-080C	21, 27, 33, 35,	815-389C	25, 31, 33, 43, 45	891-533C	15, 57		
	45, 47	816-014C	37	891-534C	15, 57		
800-082C	15, 57			Dwg 12499	39, 49		

***This Page Intentionally Left Blank***



Great Plains Manufacturing, Inc.

Corporate Office: P.O. Box 5060  
Salina, Kansas 67402-5060 USA

[www.landpride.com](http://www.landpride.com)

---