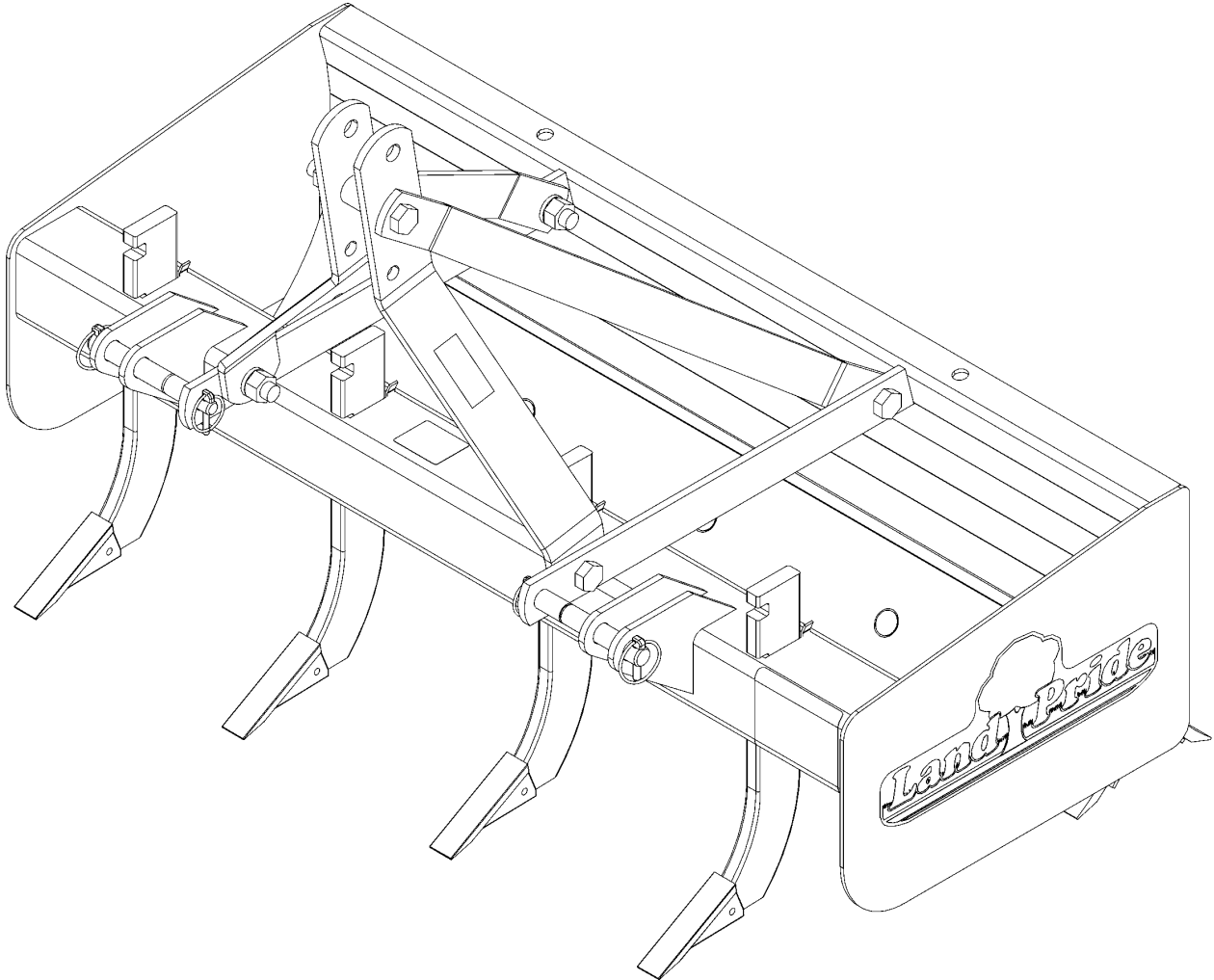


Box Scrapers

BB0542, BB0548 and BB0554



23737

303-187P **Parts Manual**



Read the Operator's Manual entirely. When you see this symbol, the subsequent instructions and warnings are serious - follow without exception. Your life and the lives of others depend on it!

© Copyright 2015 Printed 12/21/15

Cover photo may show optional equipment not supplied with standard unit.





Table of Contents

Section 1: Introduction.....4
Using This Manual.....4
Manual Replacement Information.....4
Manual Revisions.....4
Touch-up Paint.....4
Hardware Legend.....5
Replacement Hardware.....5
Serial Numbers.....5
Part Number Service Coding.....5

BB05 SERIES

Section 2: Frame.....6
Complete Assembly.....6
Section 3: Labels.....8
Label Placement.....8

Part Number Index.....10

© Copyright 2015. All rights reserved.

Land Pride provides this publication “as is” without warranty of any kind, either expressed or implied. While every precaution has been taken in the preparation of this manual, Land Pride assumes no responsibility for errors or omissions. Neither is any liability assumed for damages resulting from the use of the information contained herein. Land Pride reserves the right to revise and improve its products as it sees fit. This publication describes the state of this product at the time of its publication, and may not reflect the product in the future. The illustrations in this manual are not intended for safe and proper assembly or disassembly of equipment. The illustrations are intended for ordering parts only.

Land Pride is registered trademark.

All other brands and product names are trademarks or registered trademarks of their respective holders.

Printed in the United States of America.



Alphabetized Table of Contents

BB05 SERIES

C

Complete Assembly.....6

L

Label Placement.....8

General Information

Using This Manual

This manual is divided into sections. The first section contains General Information. The remaining sections divide the machine into segments (i.e. Frames, Drives, Hydraulics, etc.) which illustrate and list all parts. A Parts Number Index is located at the back of the book.

The Land Pride parts in this manual are specially designed for this machine and should be replaced with Land Pride parts only.

The information in this manual is current at time of printing. Some parts may change to assure top performance.

Right-hand and left-hand as used in this manual are determined by facing the direction the machine will travel while in use.

Below is an example of two facing pages from a parts manual. Familiarize yourself with the type of information contained on these pages.

Manual Replacement Information

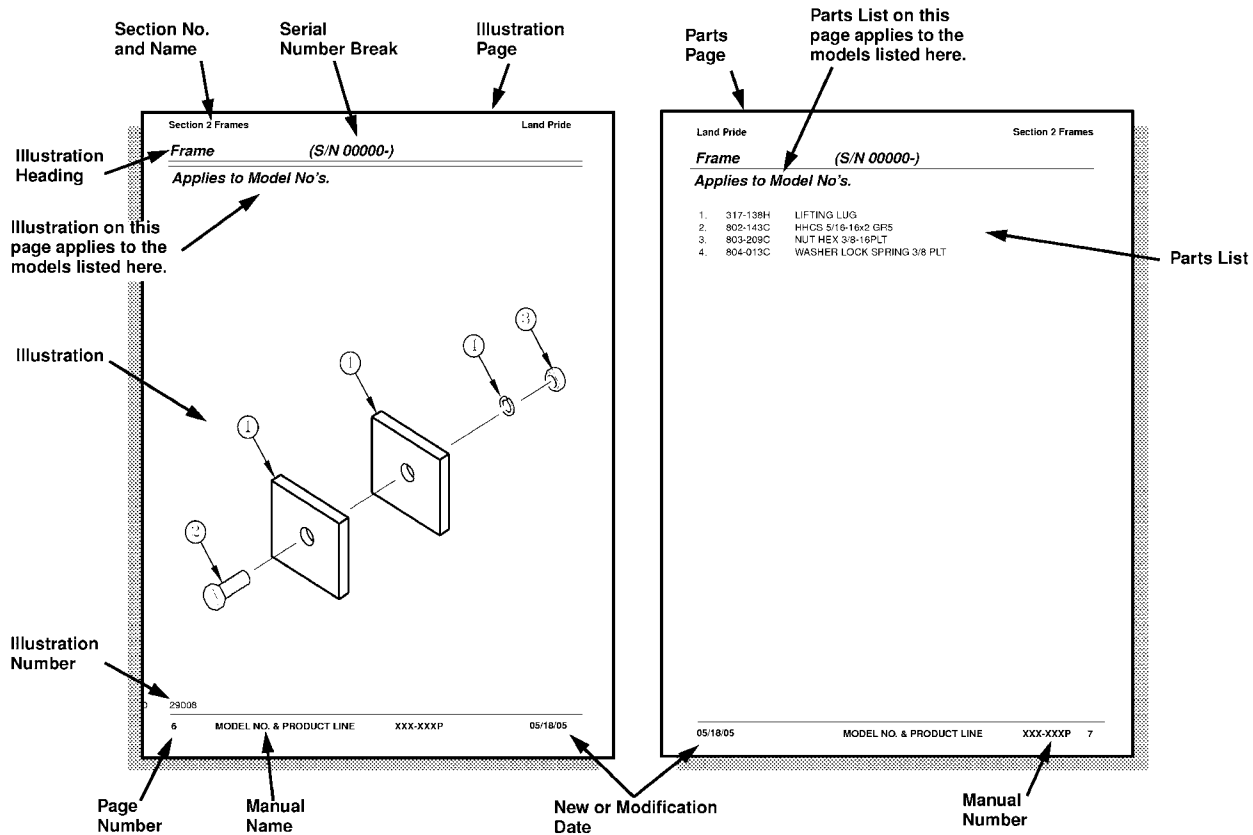
Replacement manuals are available. Refer to our website at www.landpride.com or e-mail us at lit@landpride.com for additional information. Our website continues to provide the most up-to-date manuals available.

Touch-up Paint

Repaint parts where paint is worn or scratched to prevent rust. Aerosol cans and touch-up bottles with brush applicator are available through your local dealer. Land Pride color descriptions and part numbers are listed below. Also available are quart and gallon size paints. Add QT or GL to end of the Aerosol P/N.

Color	Product*	Aerosol	Touch-Up
Gloss Black	LP	821-032C	821-032CTU
Beige	LP	821-011C	821-011CTU
Green	SLP	821-058C	821-058CTU
Orange	SLP	821-066C	821-066CTU
Red	SLP	821-054C	821-054CTU
Blue	SLP	821-067C	821-067CTU

Notes:
 * LP = All Land Pride Products
 SLP = Select Land Pride Products that are available in optional Green, Orange and Red.



General Information

Hardware Legend

AR	As Required
BLADE	Blade Bolt
C	Cap Screw
CP	Cotter Pin
CPHSSS	Cup Point Hex Socket Set Screw
CPSHSS	Cup Point Square Head Set Screw
CPSQHSS	Cup Point Square Head Set Screw
CRFCHMS3	Cross Recess Flat Countersunk Head Machine Screw
CRPHMS	Cross Recess Pan Head Machine Screw
CRPHTF	Cross Recess Pan Head Thread Forming
CRRHMS	Cross Recess Round Head Machine Screw
CRTHMS	Cross Recess Truss Head Machine Screw
CSNB	Countersunk Square Neck Bolt
FHMS	Flat Head Machine Screw
FTC	Full Thread Cap Screw
H	Hex Nut
HCLN	Hex Center Lock Nut
HFLCS	Hex Flange Lock Cap Screw
HFS	Hex Flange Screw
HFSLN	Hex Flange Serrated Lock Nut
HFSS	Hex Flange Serrated Screw
HHCS	Hex Head Cap Screw or Metric Bolt
HSBHCS	Hex Socket Button Head Cap Screw
HSFCHCS	Hex Socket Flat Countersunk Head Cap Screw
HSHCS	Hex Socket Head Cap Screw
HSSS	Hex Socket Head Screw
HTLN	Hex Top Lock Nut
HWHCS	Hex Washer Head Cap Screw

HWHMS	Hex Washer Head Machine Screw
HXBHCS	Hex Socket Button Head Cap Screw
J	Hex Jam Nut
JIC	37 Degree Tapered Thread
L	Helical Spring Lock Washer
LUG	Lug Bolt
NFC	National Fine Cap Screw
NPSM	National Pipe Straight Mechanical
NPTF	National Pipe Taper Fuel
P	Wide Plain Washer
PHMS	Pan Head Machine Screw
PLOW	Plow Bolt
RHMS	Round Head Machine Screw
RHSNB	Round Head Square Neck Bolt
SCREW LEVELING	Leveling Screw
SCREW THUMB	Thumb Screw
SCREW WELD	Weld Screw
SFCHMS	Slotted Flat Countersunk Head Machine Screw
SFHMS	Slotted Fillister Head Machine Screw
SP	Special
SP SCREW	Special Screw
SQHSS	Square Head Set Screw
SRHMS	Slotted Round Head Machine Screw
SSS	Socket Set Screw
STCS	Self Tapping Cap Screw
STHMS	Slotted Truss Head Machine Screw
WHEEL	Wheel Studs and Hub Long Bolts
WING	Wing Bolt

Replacement Hardware

The **Hardware Legend** above lists hardware abbreviations used in the parts list. All bolts and nuts are Grade 5 unless otherwise noted. The use of improper grades of hardware can result in personal injury, damage to equipment, or loss of property.

Colored Replacement Parts

Land Pride offers replacement parts in factory standard colors and also on select models in Green, Orange, Red and Blue. Because of the variety of colors available, special attention must be given to the part number to prevent ordering the wrong replacement part.

A suffix number corresponding to one of the colors below must be added at the end of Land Pride's part number when ordering a replacement part with that color.

81 Green 83 Red
82 Orange 84 Blue

For example, if you are ordering a replacement part with part number 555-555C and the part you need is red, then add the suffix 83 to the end of the number to make the part number read 555-555C83. Parts ordered without a suffix number will be supplied in factory standard colors.

Black Replacement Parts

Some parts are factory standard black and some must be special ordered black. If your part is special ordered black, a second part number with the additional suffix number 85 on the end will be available. In this situation you must order that part with the suffix number for it to be black. Parts that are factory standard black will not have the suffix number.

Part Number Service Coding

Within the parts list some part numbers are coded for revisions and interchangeability. See notations in revision column.

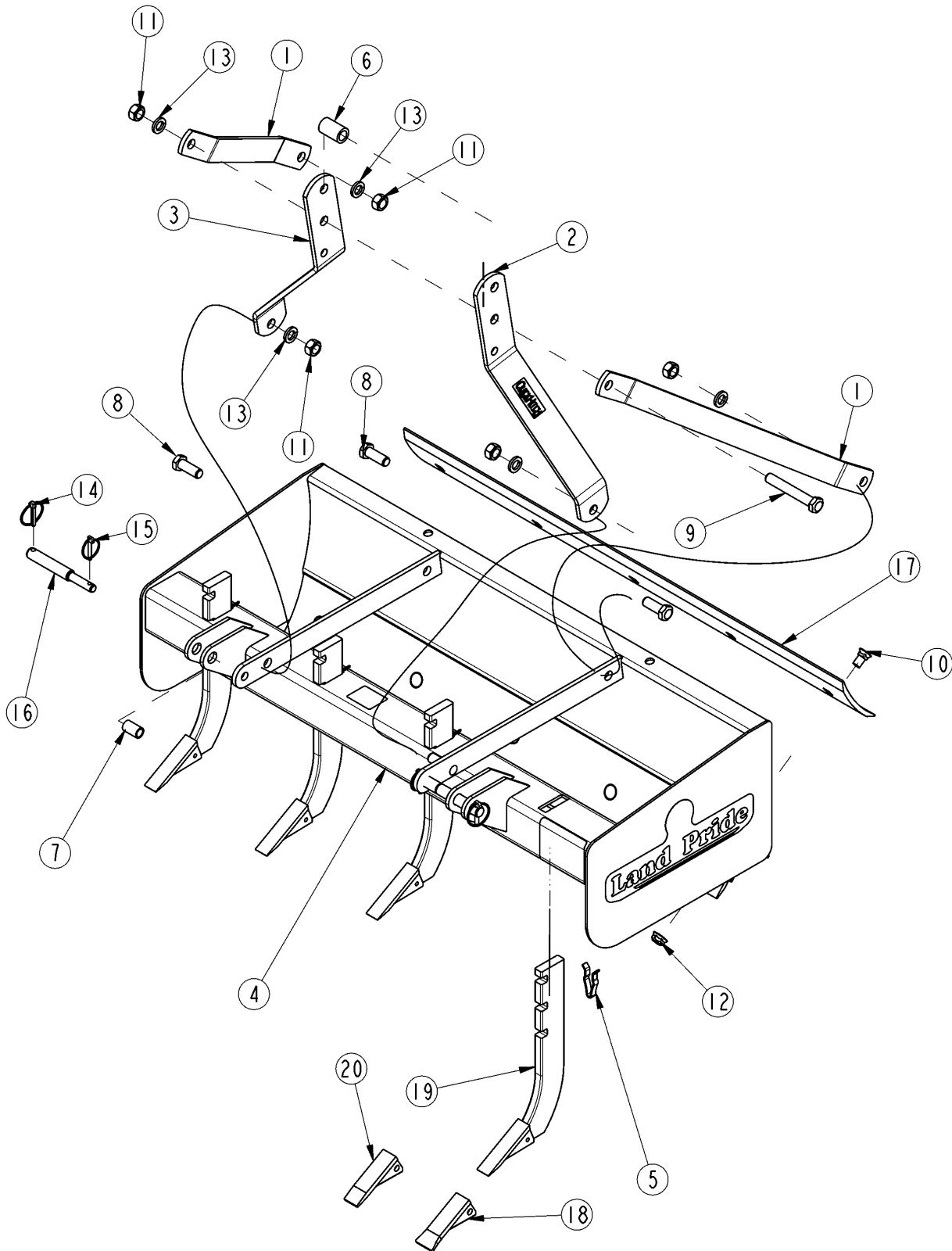
Serial Numbers

Always use the serial and model number when ordering parts. Refer to the Operator's Manual for serial number plate location.

- (S/N 20001+) Includes serial numbers 20001 and above (to the latest number)
- (S/N 10001 to 20000) Includes serial numbers between and including 10001 and 20000
- (S/N 10000-) Includes serial numbers 10000 and below (to the earliest number)

Complete Assembly

Applies to BB0542, BB0548, BB0554



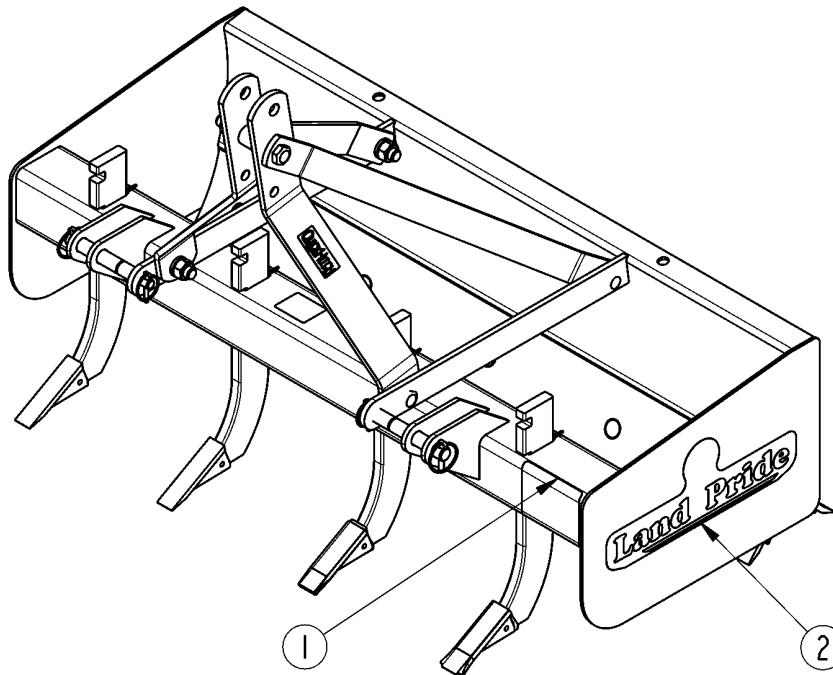
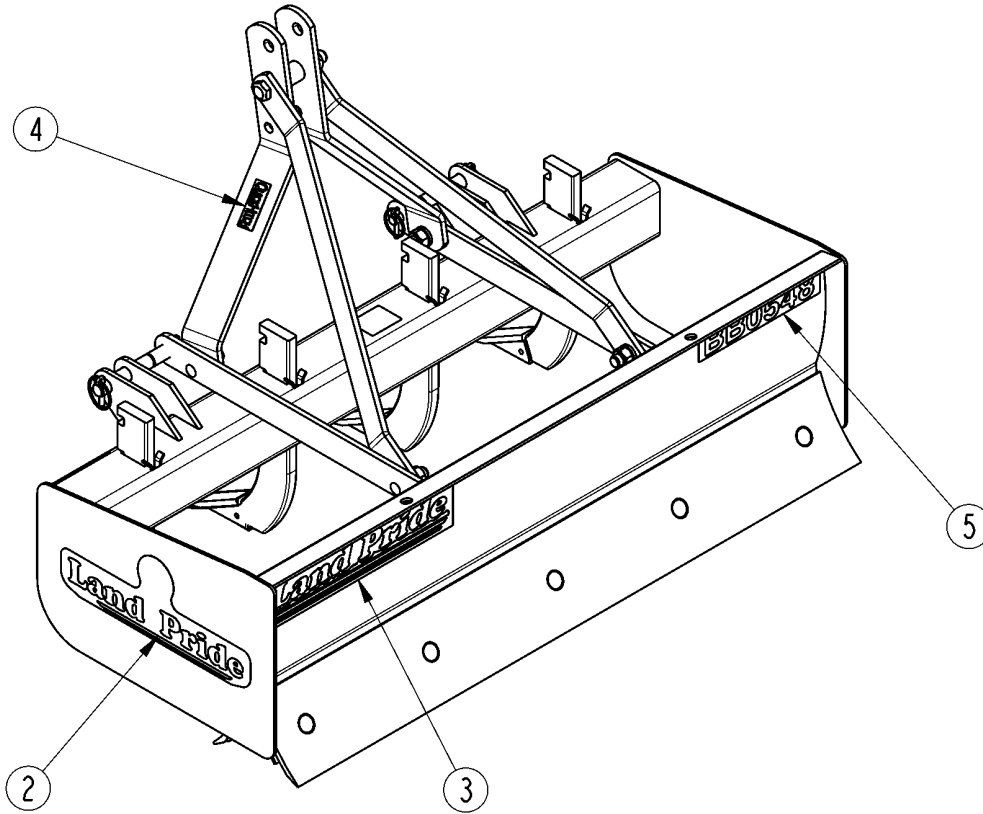
23728

Complete Assembly**Applies to BB0542, BB0548, BB0554**

Ref	Part No.	Part Description	Comments	Revision
	dwg23728	Drawing Image Number		
1.	303-135D	HITCH TOP REAR BRACE		
1.	303-135D81	HITCH TOP REAR BRACE GREEN		
1.	303-135D82	HITCH TOP REAR BRACE ORANGE		
1.	303-135D83	HITCH TOP REAR BRACE RED		
1.	303-135D84	HITCH TOP REAR BRACE BLUE		
1.	303-135D85	HITCH TOP REAR BRACE BLACK		
2.	303-136D	HITCH TOP LH STRAP		
2.	303-136D81	HITCH TOP LH STRAP GREEN		
2.	303-136D82	HITCH TOP LH STRAP ORANGE		
2.	303-136D83	HITCH TOP LH STRAP RED		
2.	303-136D84	HITCH TOP LH STRAP BLUE		
2.	303-136D85	HITCH TOP LH STRAP BLACK		
3.	303-137D	HITCH TOP RH STRAP		
3.	303-137D81	HITCH TOP RH STRAP GREEN		
3.	303-137D82	HITCH TOP RH STRAP ORANGE		
3.	303-137D83	HITCH TOP RH STRAP RED		
3.	303-137D84	HITCH TOP RH STRAP BLUE		
3.	303-137D85	HITCH TOP RH STRAP BLACK		
4.	303-275H	0542 FIXED BAR SCRAPER	S/N 642058+	
4.	303-275H81	0542 FIXED BAR SCRAPER GREEN	S/N 642058+	
4.	303-275H82	0542 FIXED BAR SCRAPER ORANGE	S/N 642058+	
4.	303-275H83	0542 FIXED BAR SCRAPER RED	S/N 642058+	
4.	303-142H	RPBY 303-275H	S/N 642057-	
4.	303-276H	0548 FIXED BAR SCRAPER	S/N 642058+	
4.	303-276H81	0548 FIXED BAR SCRAPER GREEN	S/N 642058+	
4.	303-276H82	0548 FIXED BAR SCRAPER ORANGE	S/N 642058+	
4.	303-276H83	0548 FIXED BAR SCRAPER RED	S/N 642058+	
4.	303-143H	RPBY 303-276H	S/N 642057-	
4.	303-277H	0554 FIXED BAR SCRAPER	S/N 642058+	
4.	303-277H81	0554 FIXED BAR SCRAPER GREEN	S/N 642058+	
4.	303-277H82	0554 FIXED BAR SCRAPER ORANGE	S/N 642058+	
4.	303-277H83	0554 FIXED BAR SCRAPER RED	S/N 642058+	
4.	303-144H	RPBY 303-277H	S/N 642057-	
5.	305-111D	CLIP SHANK RETAINER		
6.	308-400D	SPACER 1 1/4OD X 25/32ID X 2LG		
7.	311-639D	BUSHING CAT 0 TO CAT 1		
8.	802-064C	HHCS 3/4-10X2 GR5		
9.	802-069C	HHCS 3/4-10X5 GR5		
10.	802-813C	PLOW 5/8-11X1 1/4 GR5		
11.	803-027C	NUT HEX 3/4-10 PLT		
12.	803-304C	NUT HEX WHIZ 5/8-11 PLT	S/N 815206+	
12.	803-263C	NUT HEX FLANGE LOCK 5/8-11 PLT	S/N 815205-	
13.	804-023C	WASHER LOCK SPRING 3/4 PLT		
14.	805-015C	PIN LINCH 5/16 X 1 3/4		
15.	805-126C	PIN LINCH 1/4 X 1 3/4 PLT		
16.	805-377C	LOWER HITCH PIN 05 TILLER		
17.	820-458C	BLADE,3/8X6 X 41 1/2 LG GRADER	S/N 711850+	
17.	820-069C	GRADER BLADE 1/2 X 6 X 41 1/2	S/N 711849-	
17.	820-447C	BLADE, 3/8 X 6 X 47 1/2 GRADER	S/N 711850+	
17.	820-039C	GRADER BLADE 1/2 X 6 X 47 1/2	S/N 711849-	
17.	820-459C	BLADE,3/8X6 X 53 1/2 LG GRADER	S/N 711850+	
17.	820-040C	GRADER BLADE 1/2 X 6 X 53 1/2	S/N 711849-	
18.	820-153C	SHANK TIP DIMPLE-ON WIDE FLARE	Optional Tip	
19.	820-344C	TRIPLE NOTCH SHANK		
20.	820-050C	SHANK TIP DIMPLE-ON NARROW	Standard Tip	

Label Placement

Applies to BB0542, BB0548, BB0554



23764

Label Placement

Applies to BB0542, BB0548, BB0554

Ref	Part No.	Part Description	Comments	Revision
	dwg23764	Drawing Image Number		
	303-203A	BB0542 DECAL PACKAGE COLORS	Green, Orange, Red Blue & Black Units	
	303-204A	BB0548 DECAL PACKAGE COLORS	Green, Orange, Red Blue & Black Units	
	303-205A	BB0554 DECAL PACKAGE COLORS	Green, Orange, Red Blue & Black Units	
	303-214A	BB0542 DECAL PACKAGE	Beige Unit	
	303-215A	BB0548 DECAL PACKAGE	Beige Unit	
	303-216A	BB0554 DECAL PACKAGE	Beige Unit	
		*		
1.	818-267C	DECAL CAUTION - BOX SCRAPER		
2.	818-893C	RPBY 838-964C	Beige Unit	
2.	838-964C	DECAL LP 16" W/TREE BROWN/GOLD		
2.	838-846C	DECAL LAND PRIDE 16.00	Green, Orange, Red, Blue & Black Unit	
3.	818-901C	RPBY 838-965C	Beige Unit	
3.	838-965C	DECAL LANDPRIDE 16" BROWN/GOLD		
3.	838-846C	DECAL LAND PRIDE 16.00	Green, Orange, Red, Blue & Black Unit	
4.	838-517C	DECAL QUICK HITCH SYSTEM		
5.	838-830C	DECAL BB0542-BROWN	Beige Unit	
5.	838-931C	DECAL BB0542-GOLD	Green, Orange, Red & Blue Unit	
5.	838-863C	DECAL BB0542-BEIGE	Black Unit	
5.	838-831C	DECAL BB0548-BROWN	Beige Units	
5.	838-932C	DECAL BB0548-GOLD	Green, Orange, Red & Blue Units	
5.	838-864C	DECAL BB0548-BEIGE	Black Unit	
5.	838-832C	DECAL BB0554-BROWN	Beige Unit	
5.	838-933C	DECAL BB0554-GOLD	Green, Orange, Red & Blue Units	
5.	838-865C	DECAL BB0554-BEIGE	Black Unit	



Part Number Index

The Part Number Index is a numeric index of all part numbers included in this manual. The index shows what page(s) the part is used on.

<u>Part Number</u>	<u>Page</u>	<u>Part Number</u>	<u>Page</u>
303-135D	7	838-864C	9
303-135D81	7	838-865C	9
303-135D82	7	838-931C	9
303-135D83	7	838-932C	9
303-135D84	7	838-933C	9
303-135D85	7	838-964C	9
303-136D	7	838-965C	9
303-136D81	7	dwg23728	7
303-136D82	7	dwg23764	9
303-136D83	7		
303-136D84	7		
303-136D85	7		
303-137D	7		
303-137D81	7		
303-137D82	7		
303-137D83	7		
303-137D84	7		
303-137D85	7		
303-142H	7		
303-143H	7		
303-144H	7		
303-203A	9		
303-204A	9		
303-205A	9		
303-214A	9		
303-215A	9		
303-216A	9		
303-275H	7		
303-275H81	7		
303-275H82	7		
303-275H83	7		
303-276H	7		
303-276H81	7		
303-276H82	7		
303-276H83	7		
303-277H	7		
303-277H81	7		
303-277H82	7		
303-277H83	7		
305-111D	7		
308-400D	7		
311-639D	7		
802-064C	7		
802-069C	7		
802-813C	7		
803-027C	7		
803-263C	7		
803-304C	7		
804-023C	7		
805-015C	7		
805-126C	7		
805-377C	7		
818-267C	9		
818-893C	9		
818-901C	9		
820-039C	7		
820-040C	7		
820-050C	7		
820-069C	7		
820-153C	7		
820-344C	7		
820-447C	7		
820-458C	7		
820-459C	7		
838-517C	9		
838-830C	9		
838-831C	9		
838-832C	9		
838-846C	9		
838-863C	9		

This Page Intentionally Left Blank



Great Plains Manufacturing, Inc.

Corporate Office: P.O. Box 5060
Salina, Kansas 67402-5060 USA

www.landpride.com
