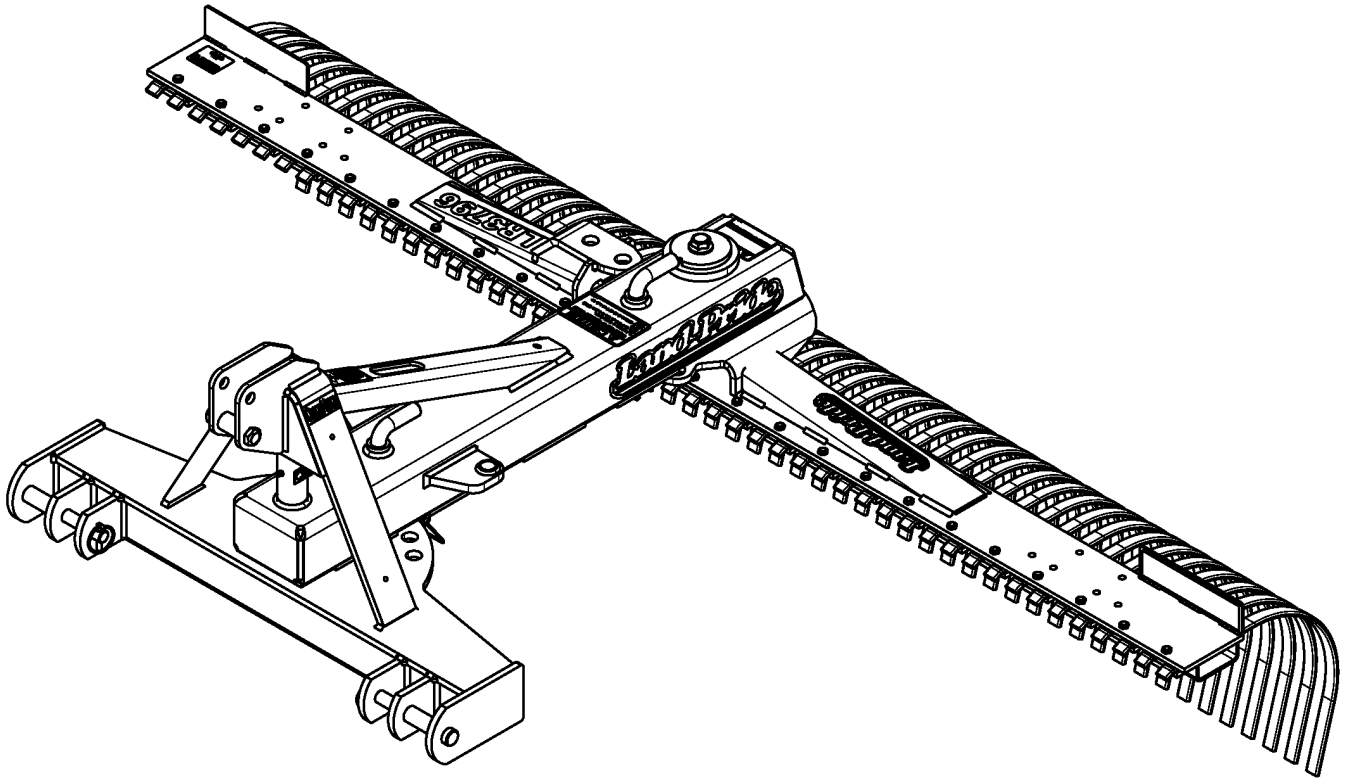


Landscape Rakes

LR3784 & LR3796



39423

302-337P **Parts Manual**



Read the Operator's Manual entirely. When you see this symbol, the subsequent instructions and warnings are serious - follow without exception. Your life and the lives of others depend on it!

© Copyright 2018 Printed 07/10/18

Cover photo may show optional equipment not supplied with standard unit.





Table of Contents

Section 1: Introduction.....	4
Using This Manual.....	4
Manual Replacement Information.....	4
Manual Revisions.....	4
Touch-up Paint.....	4
Hardware Legend.....	5
Replacement Hardware.....	5
Serial Numbers.....	5
Part Number Service Coding.....	5
Section 2: Frame and Rake.....	6
Main Frame & Hitch Components.....	6
Rake Frame Components.....	8
Section 3: Options & Accessories.....	10
Gauge Wheel Bundles.....	10
Gauge Wheel Tire (814-041C) 4" Wide.....	12
Gauge Wheel Tire (814-053C) 6 1/2" Wide.....	14
Grader Blade Flip Down with End Plates.....	16
Grader Blade Mounting Arms.....	18
Hydraulic Angling Kit.....	20
Hydraulic Cylinder (810-747C).....	22
Section 4: Decals.....	24
Decals.....	24
Land Pride Touch-up Paints.....	26
Part Number Index.....	28

© Copyright 2018. All rights reserved.

Land Pride provides this publication "as is" without warranty of any kind, either expressed or implied. While every precaution has been taken in the preparation of this manual, Land Pride assumes no responsibility for errors or omissions. Neither is any liability assumed for damages resulting from the use of the information contained herein. Land Pride reserves the right to revise and improve its products as it sees fit. This publication describes the state of this product at the time of its publication, and may not reflect the product in the future. The illustrations in this manual are not intended for safe and proper assembly or disassembly of equipment. The illustrations are intended for ordering parts only.

Land Pride is registered trademark.

All other brands and product names are trademarks or registered trademarks of their respective holders.

Printed in the United States of America.



Alphabetized Table of Contents

D
Decals.....24

G
Gauge Wheel Bundles.....10
Gauge Wheel Tire (814-041C) 4" Wide.....12
Gauge Wheel Tire (814-053C) 6 1/2" Wide.....14
Grader Blade Flip Down with End Plates.....16
Grader Blade Mounting Arms.....18

H
Hydraulic Angling Kit.....20
Hydraulic Cylinder (810-747C).....22

L
Land Pride Touch-up Paints.....26

M
Main Frame & Hitch Components.....6

R
Rake Frame Components.....8

General Information

Using This Manual

This manual is divided into sections. The first section contains General Information. The remaining sections divide the machine into segments (i.e. Frames, Drives, Hydraulics, etc.) which illustrate and list all parts. A Parts Number Index is located at the back of the book.

The Land Pride parts in this manual are specially designed for this machine and should be replaced with Land Pride parts only.

The information in this manual is current at time of printing. Some parts may change to assure top performance.

Right-hand and left-hand as used in this manual are determined by facing the direction the machine will travel while in use.

Below is an example of two facing pages from a parts manual. Familiarize yourself with the type of information contained on these pages.

Manual Replacement Information

Replacement manuals are available. Refer to our website at www.landpride.com or e-mail us at lit@landpride.com for additional information. Our website continues to provide the most up-to-date manuals available.

Touch-up Paint

Repaint parts where paint is worn or scratched to prevent rust. Aerosol cans and touch-up bottles with brush applicator are available through your local dealer. Also available are quart and gallon size paints. Add QT or GL to end of the Aerosol P/N.

Land Pride color descriptions and part numbers are listed on the "Land Pride Touch-up Paints" page in the "Decals" section of this book. Color options vary by product.



General Information

Hardware Legend

AR	As Required
BLADE	Blade Bolt
C	Cap Screw
CP	Cotter Pin
CPHSSS	Cup Point Hex Socket Set Screw
CPSHSS	Cup Point Square Head Set Screw
CPSQHSS	Cup Point Square Head Set Screw
CRFCHMS3	Cross Recess Flat Countersunk Head Machine Screw
CRPHMS	Cross Recess Pan Head Machine Screw
CRPHTF	Cross Recess Pan Head Thread Forming
CRRHMS	Cross Recess Round Head Machine Screw
CRTHMS	Cross Recess Truss Head Machine Screw
CSNB	Countersunk Square Neck Bolt
FHMS	Flat Head Machine Screw
FTC	Full Thread Cap Screw
H	Hex Nut
HCLN	Hex Center Lock Nut
HFLCS	Hex Flange Lock Cap Screw
HFS	Hex Flange Screw
HFSLN	Hex Flange Serrated Lock Nut
HFSS	Hex Flange Serrated Screw
HHCS	Hex Head Cap Screw or Metric Bolt
HSBHCS	Hex Socket Button Head Cap Screw
HSFCHCS	Hex Socket Flat Countersunk Head Cap Screw
HSHCS	Hex Socket Head Cap Screw
HSSS	Hex Socket Head Screw
HTLN	Hex Top Lock Nut
HWHCS	Hex Washer Head Cap Screw

HWHMS	Hex Washer Head Machine Screw
HXBHCS	Hex Socket Button Head Cap Screw
J	Hex Jam Nut
JIC	37 Degree Tapered Thread
L	Helical Spring Lock Washer
LUG	Lug Bolt
NFC	National Fine Cap Screw
NPSM	National Pipe Straight Mechanical
NPTF	National Pipe Taper Fuel
P	Wide Plain Washer
PHMS	Pan Head Machine Screw
PLOW	Plow Bolt
RHMS	Round Head Machine Screw
RHSNB	Round Head Square Neck Bolt
SCREW LEVELING	Leveling Screw
SCREW THUMB	Thumb Screw
SCREW WELD	Weld Screw
SFCHMS	Slotted Flat Countersunk Head Machine Screw
SFHMS	Slotted Fillister Head Machine Screw
SP	Special
SP SCREW	Special Screw
SOHSS	Square Head Set Screw
SRHMS	Slotted Round Head Machine Screw
SSS	Socket Set Screw
STCS	Self Tapping Cap Screw
STHMS	Slotted Truss Head Machine Screw
WHEEL	Wheel Studs and Hub Long Bolts
WING	Wing Bolt

Replacement Hardware

The **Hardware Legend** above lists hardware abbreviations used in the parts list. All bolts and nuts are Grade 5 unless otherwise noted. The use of improper grades of hardware can result in personal injury, damage to equipment, or loss of property.

Colored Replacement Parts

Land Pride offers replacement parts in factory standard colors and also on select models in Green, Orange, Red and Blue. Because of the variety of colors available, special attention must be given to the part number to prevent ordering the wrong replacement part.

A suffix number corresponding to one of the colors below must be added at the end of Land Pride's part number when ordering a replacement part with that color.

81 Green 83 Red
82 Orange 84 Blue

For example, if you are ordering a replacement part with part number 555-555C and the part you need is red, then add the suffix 83 to the end of the number to make the part number read 555-555C83. Parts ordered without a suffix number will be supplied in factory standard colors.

Black Replacement Parts

Some parts are factory standard black and some must be special ordered black. If your part is special ordered black, a second part number with the additional suffix number 85 on the end will be available. In this situation you must order that part with the suffix number for it to be black. Parts that are factory standard black will not have the suffix number.

Part Number Service Coding

Within the parts list some part numbers are coded for revisions and interchangeability. See notations in revision column.

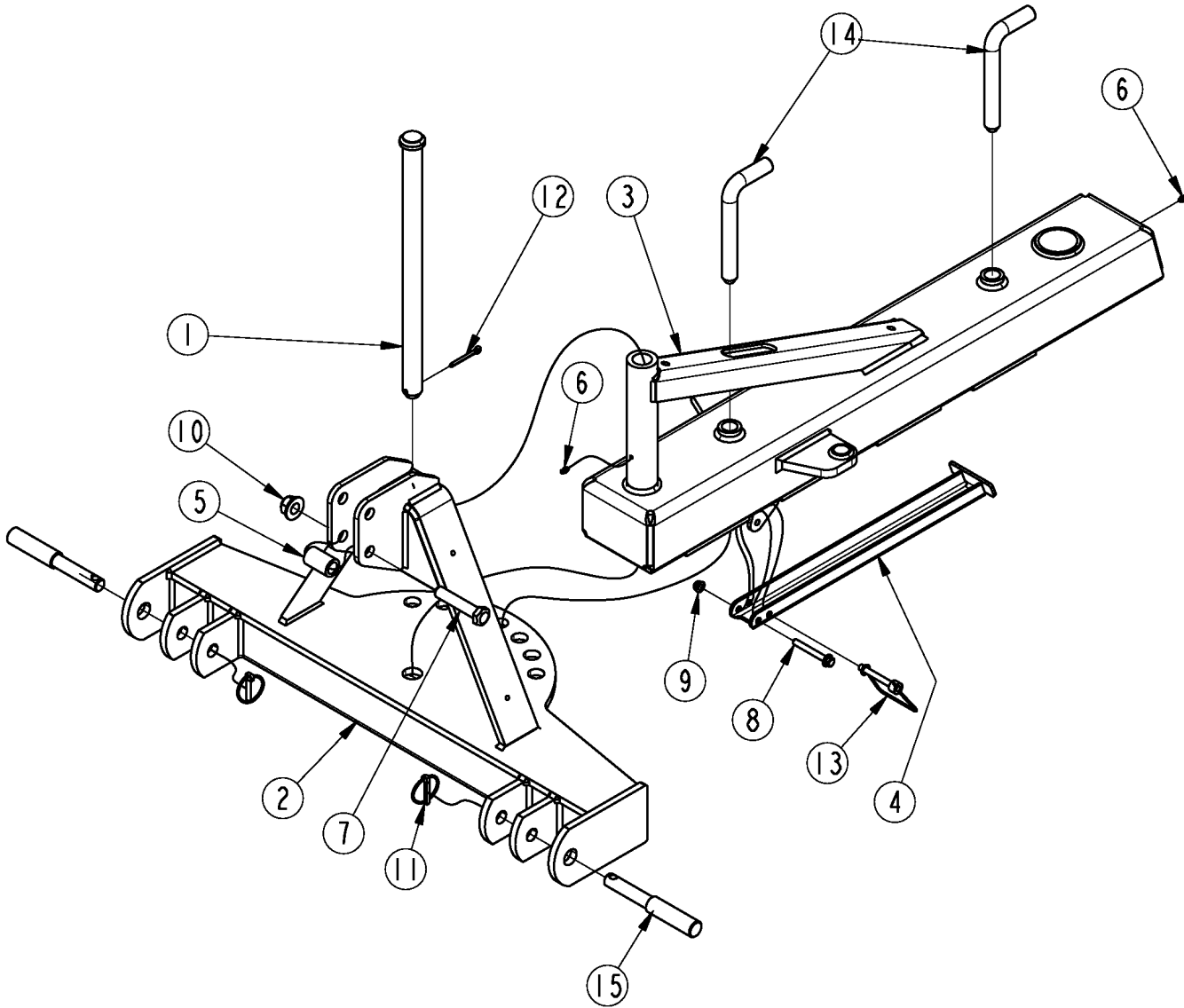
Serial Numbers

Always use the serial and model number when ordering parts. Refer to the Operator's Manual for serial number plate location.

- (S/N 20001+) Includes serial numbers 20001 and above (to the latest number)
- (S/N 10001 to 20000) Includes serial numbers between and including 10001 and 20000
- (S/N 10000-) Includes serial numbers 10000 and below (to the earliest number)

Main Frame & Hitch Components

Applies to LR3784, LR3796



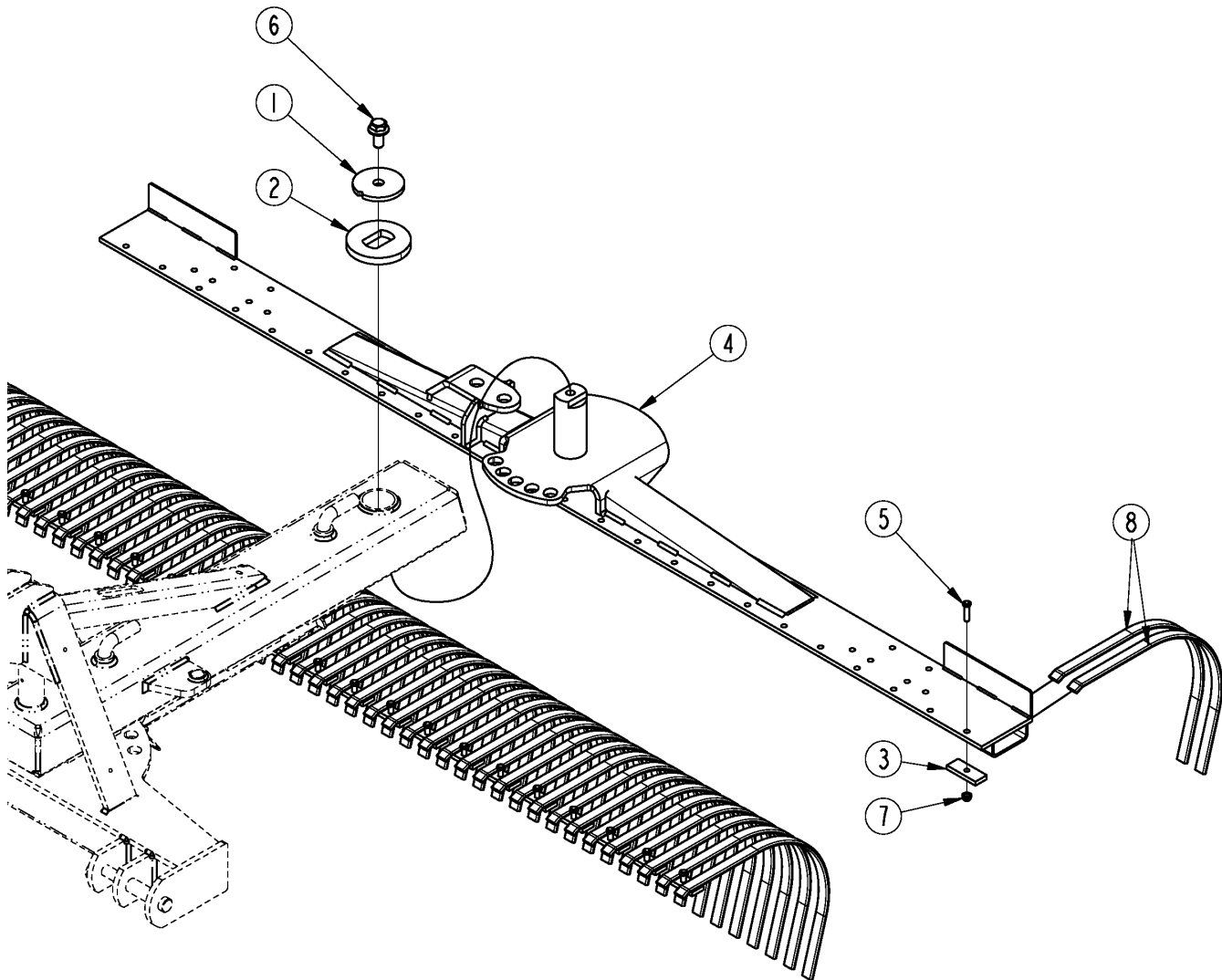
39424

Main Frame & Hitch Components**Applies to LR3784, LR3796**

Ref	Part No.	Part Description	Comments	Revision
	Dwg 39424	Image No.		
1.	300-213H	FRONT PIVOT SHAFT WELDMNT		
2.	300-246H	WLDMNT, RB36 HITCH		
2.	300-246H81	WLDMNT, RB36 GREEN HITCH	Green	
2.	300-246H82	WLDMNT, RB36 ORANGE HITCH	Orange	
3.	300-265H	WLDMNT, RB37 SERIES MAIN FRAME		
3.	300-265H81	WLDMNT, RB37 GREEN MAIN FRAME	Green	
3.	300-265H82	WLDMNT, RB37 ORANGE MAIN FRAME	Orange	
4.	300-504D	STAND, RB26/36 SUPPORT		
5.	308-400D	SPACER 1 1/4OD X 13/16ID X 2LG		
6.	800-080C	GREASE ZERK 1/4-28 THD FORMING		
7.	802-204C	HHCS 3/4-10X3 3/4 GR5		
8.	802-934C	HFS 3/8-16X3 GR5 ZNYCR		
9.	803-209C	NUT FLANGE LOCK 3/8-16 PLT		
10.	803-299C	NUT HEX FLG TOP LK 3/4-10 PLT		
11.	805-015C	PIN LINCH 5/16 X 1 3/4		
12.	805-021C	PIN COTTER 1/4 X 2 PLT		
13.	805-212C	PIN WIRE SNAP LOCK 3/8 X 2 1/2		
14.	805-213C	PIN BENT 1.0X7.0		
15.	805-433C	PIN HTCH C1-C2 8.0 L		

Rake Frame Components

Applies to LR3784, LR3796



39433

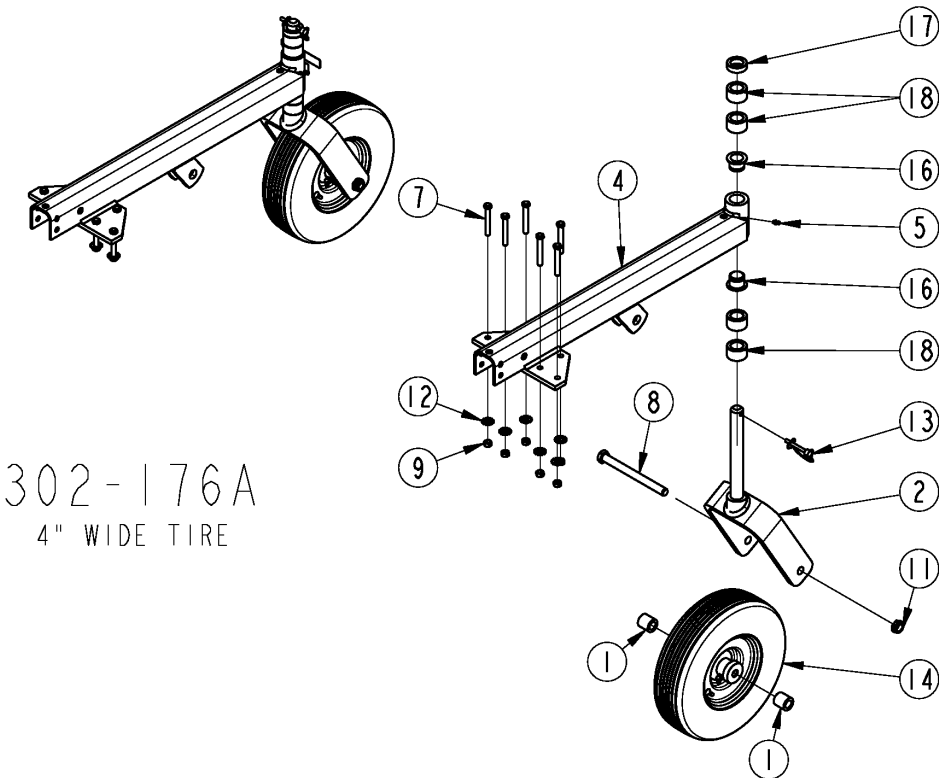
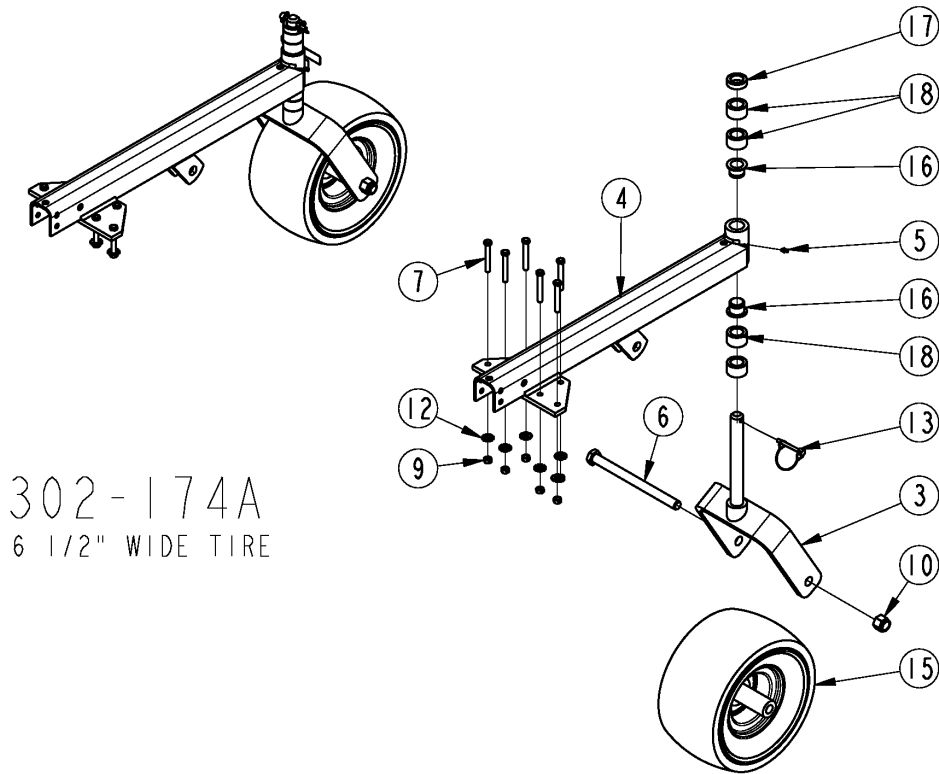
Rake Frame Components

Applies to LR3784, LR3796

Ref	Part No.	Part Description	Comments	Revision
	Dwg 39433	Image No.		
1.	301-240D	40 PIVOT CAP		
2.	301-478D	PLATE, RB36 DRIVE PIVOT CAP		
3.	302-130D	RAKE TINE CLIP		
4.	302-329H	WLDMNT, LR3784 RAKE MOUNT	LR3784	
4.	302-330H	WLDMNT, LR3796 RAKE MOUNT	LR3796	
5.	802-022C	HHCS 3/8-16X1 1/2 GR5		
6.	802-897C	HFS 3/4-10X1 1/2 GR 5 PLT		
7.	803-209C	NUT FLANGE LOCK 3/8-16 PLT		
8.	820-037C	RAKE TOOTH 1	42 teeth for LR3784 & 48 teeth for LR3796	

Gauge Wheel Bundles

Applies to LR3784, LR3796



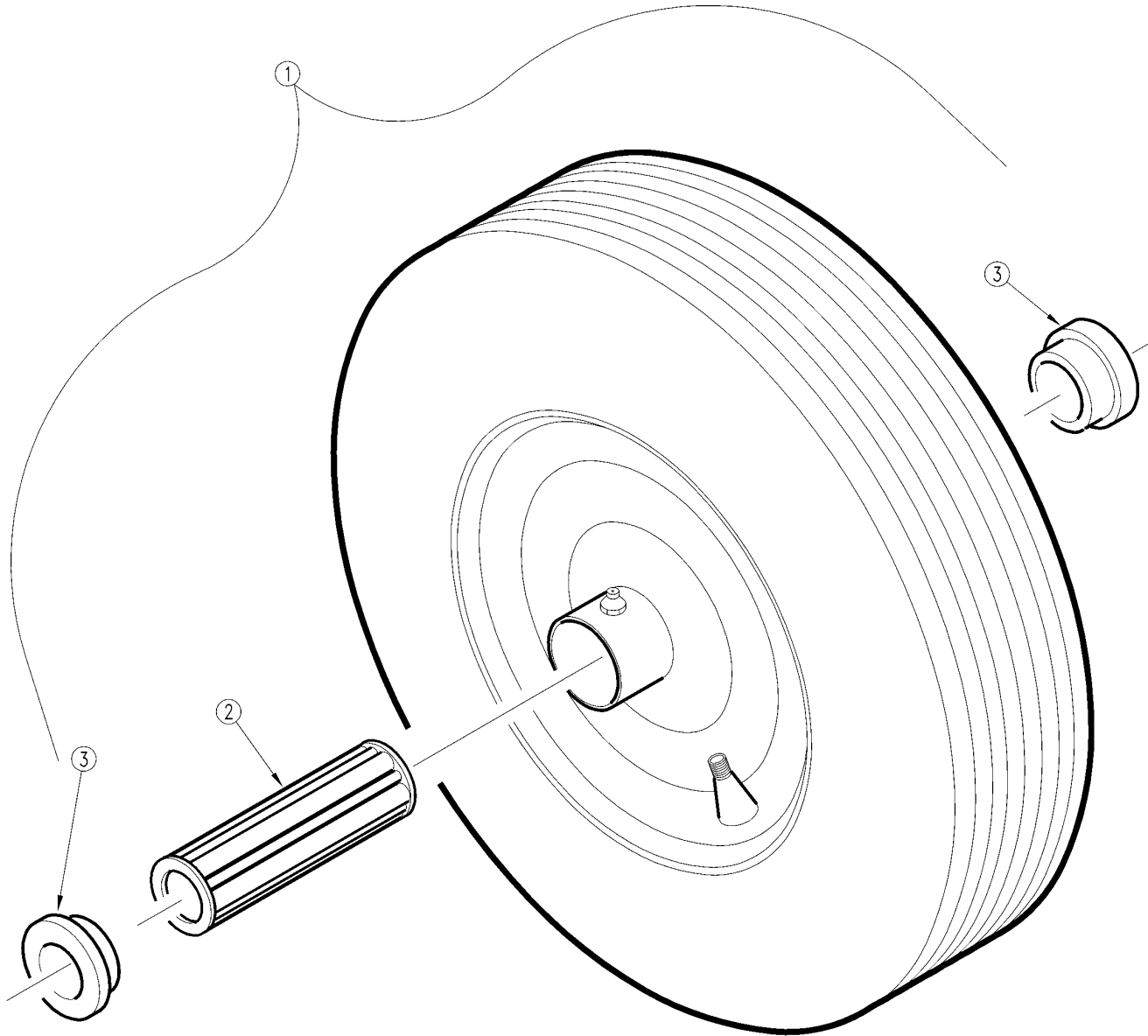
39434

Gauge Wheel Bundles**Applies to LR3784, LR3796**

Ref	Part No.	Part Description	Comments	Revision
	Dwg 39434	Image No.		
	302-174A	DUAL GAUGE WHEELS-WIDE 91+		
	302-176A	DUAL GAUGE WHEELS-NRW 91+		
	*			
1.	302-076D	WHEEL SPACER		
2.	302-095H	NARROW GW YOKE WELDMENT		
3.	302-096H	WIDE GW YOKE WELDMENT		
4.	302-202H	RAKE DUAL G.W. WELDMENT		
5.	800-001C	GREASE ZERK STRAIGHT 1/4-28		
6.	802-072C	HHCS 3/4-10X9 1/2 GR5		
7.	802-216C	HHCS 3/8-16X2 3/4 GR5		
8.	802-262C	HHCS 5/8-11X7 GR5		
9.	803-014C	NUT HEX 3/8-16 PLT		
10.	803-025C	NUT HEX 3/4-10 PLT NYLOCK		
11.	803-094C	NUT 5/8-11 NYLON COLLAR THIN		
12.	804-060C	WASHER INT-EXT 3/8 PLT		
13.	805-065C	PIN WIRE RETAINING 1/4 X 1 3/4		
14.	814-041C	WHEEL & TIRE PNEU 4.10 X 6	4" wide tire	
15.	814-053C	TIRE & WHL 13/6.50X6 W/3/4 BOR	6 1/2" Wide tire	
16.	817-048C	SPINDLE BUSHING		
17.	827-001C	SPACER 1/2		
18.	827-002C	SPACER 1		

Gauge Wheel Tire (814-041C) 4" Wide

Applies to LR3784, LR3796



13625

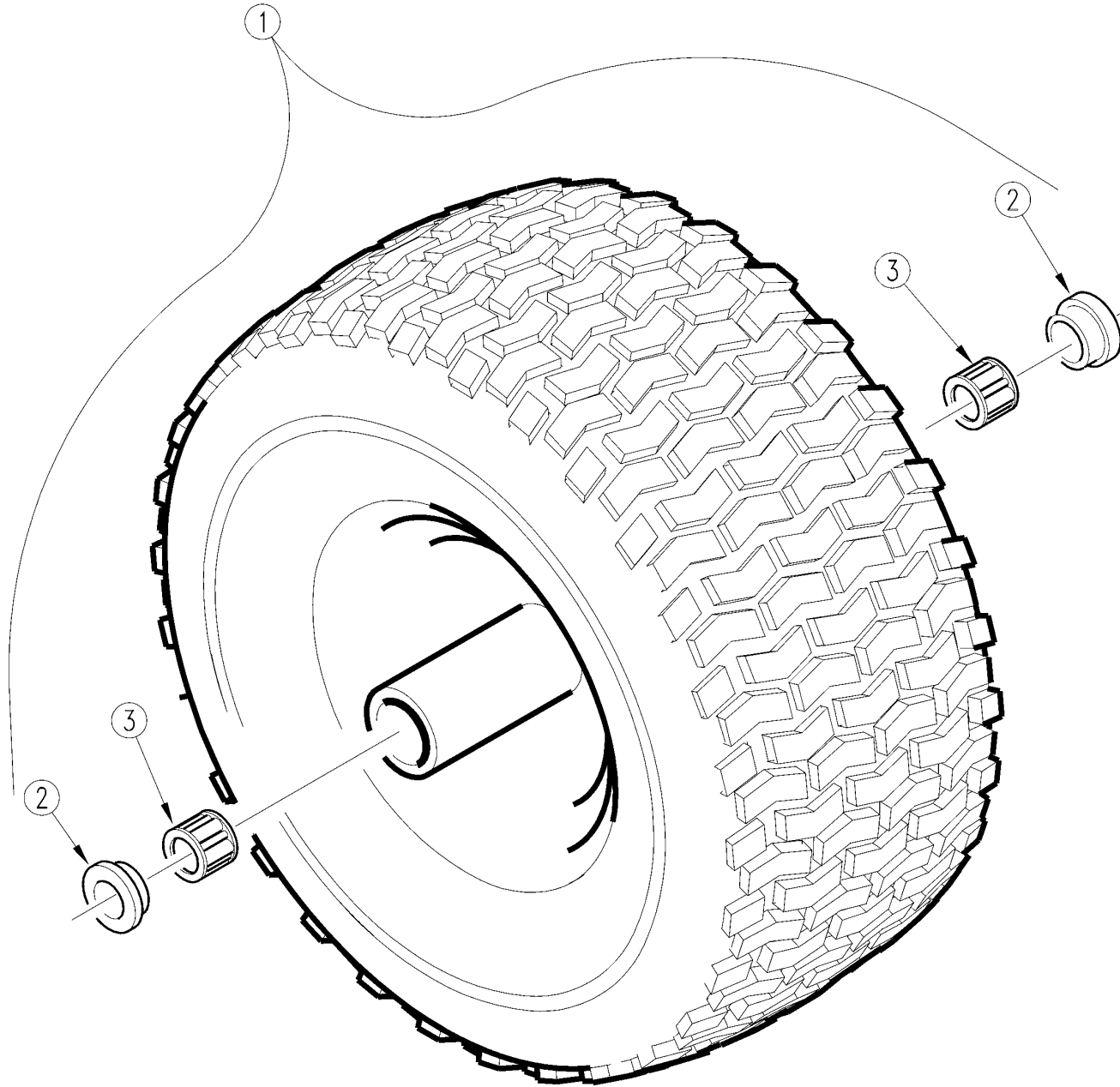
Gauge Wheel Tire (814-041C) 4" Wide

Applies to LR3784, LR3796

Ref	Part No.	Part Description	Comments	Revision
	dwg13625	Drawing Image Number		
1.	814-041C	WHEEL & TIRE PNEU 4.10 X 6		
2.	822-089C	BEARING 5/8X1 3/8X1 GLEASON587	two required	
2.	53-181	TILDEN BRG 5/8IDX1 3/8ODX2 1/2	one required	
3.	890-173C	END CAP GLEASON 4206		
3.	53-167	TILDEN RTNR 5/8IDX1 3/8ODX1/4L		

Gauge Wheel Tire (814-053C) 6 1/2" Wide

Applies to LR3784, LR3796



19042

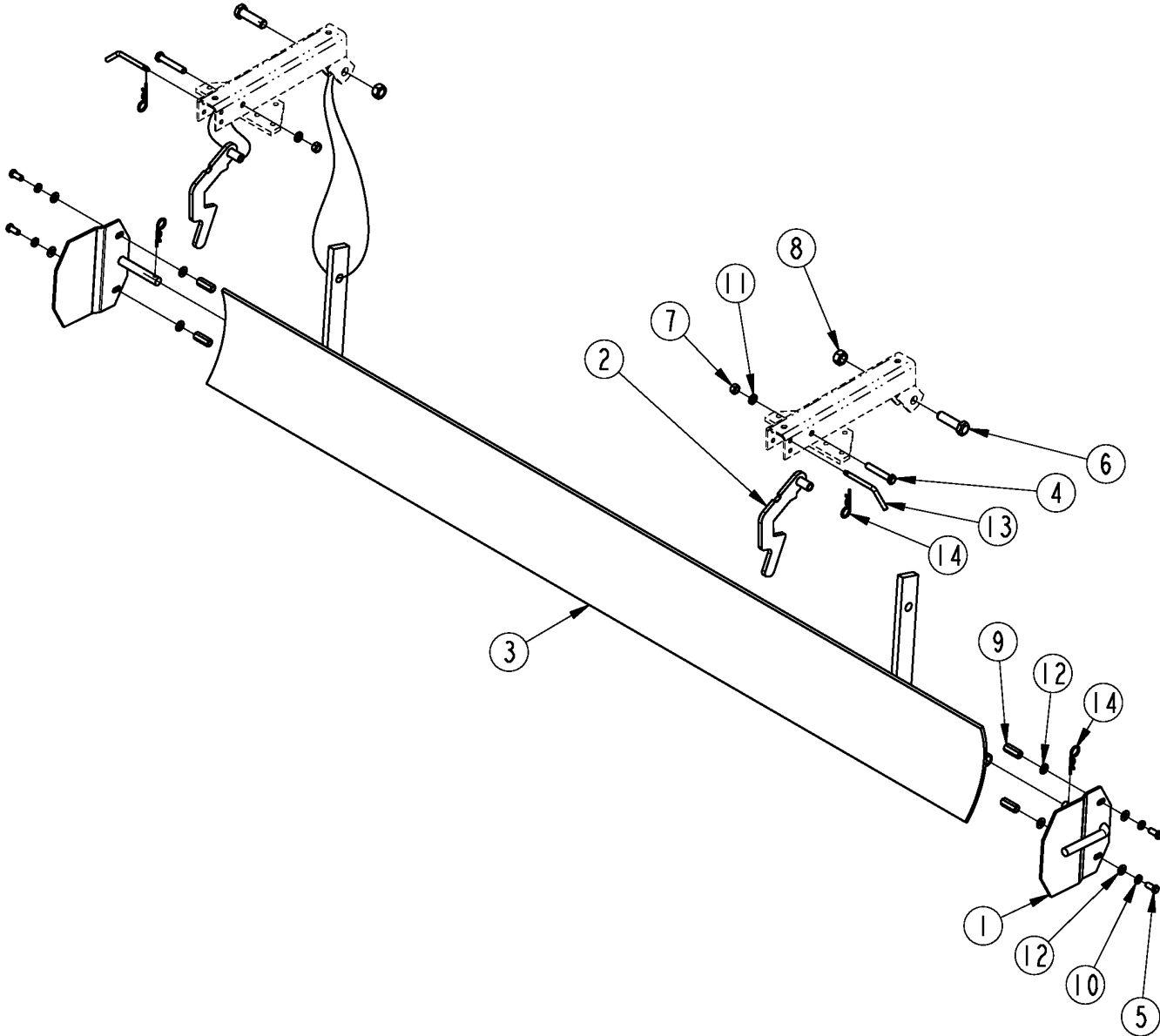
Gauge Wheel Tire (814-053C) 6 1/2" Wide

Applies to LR3784, LR3796

Ref	Part No.	Part Description	Comments	Revision
	dwg19042	Drawing Image Number		
1.	814-053C	TIRE & WHL 13/6.50X6 W/3/4 BOR		
2.	53-164	TILDEN RTNR 3/4IDX1 3/8ODX1/4L		
3.	53-189	TILDEN BRG 3/4ID1.34ODX15/16L		

Grader Blade Flip Down with End Plates

Applies to LR3784, LR3796



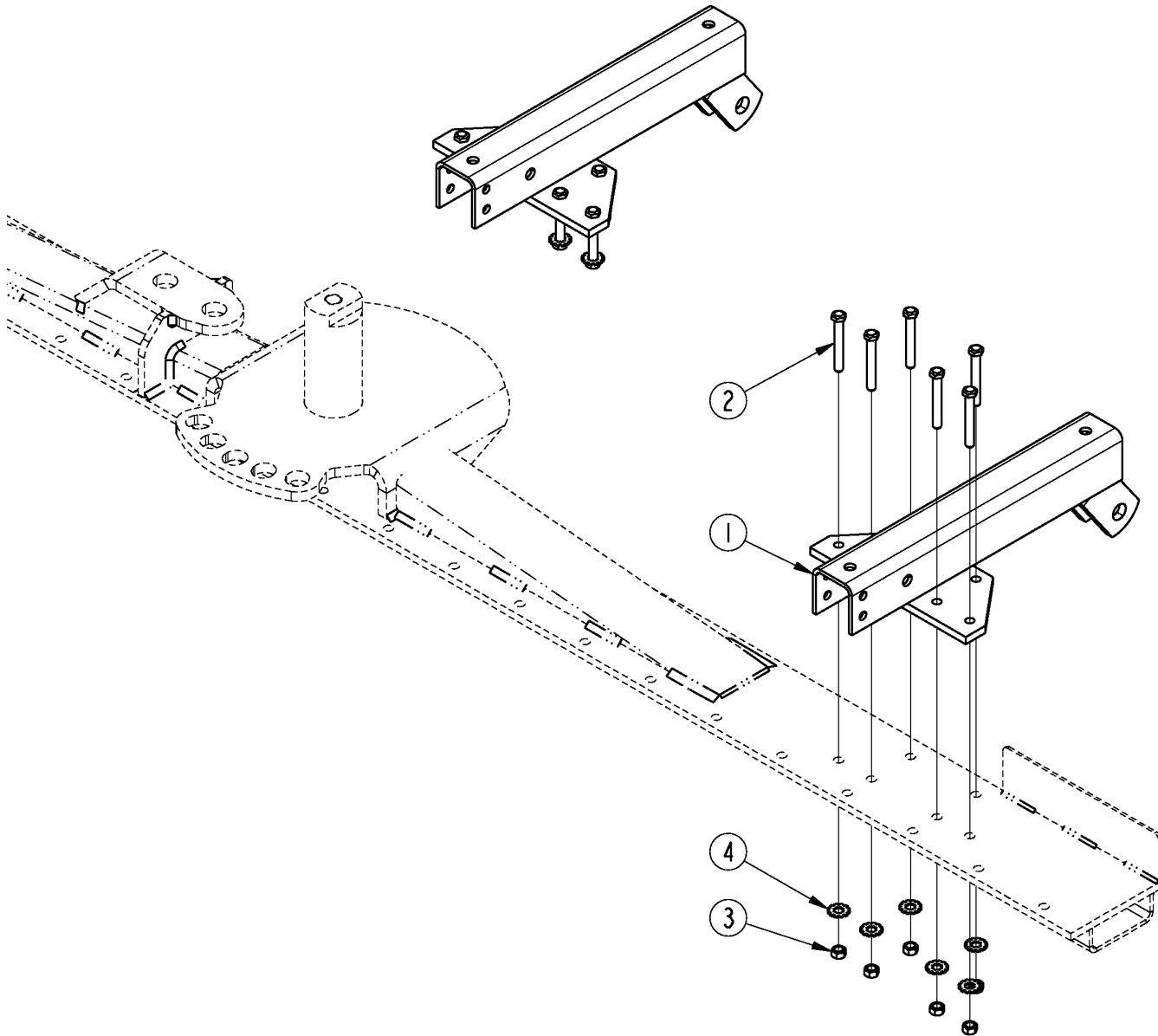
39437

Grader Blade Flip Down with End Plates**Applies to LR3784, LR3796**

Ref	Part No.	Part Description	Comments	Revision
	Dwg 39437	Image No.		
	302-106A	7' GRADER BLADE ASY	LR3784	
	302-107A	8' GRADER BLADE ASY	LR3796	
	*			
1.	302-017H	SIDE PLATE WELDMENT		
2.	302-097H	BLADE LOCK HANDLE WELDMENT		
3.	302-099H	7' GRADER BLADE WELDMENT	LR3784	
3.	302-100H	8' GRADER BLADE WELDMENT	LR3796	
4.	802-039C	HHCS 1/2-13X3 GR5		
5.	802-080C	HHCS 7/16-14X1 GR5		
6.	802-086C	HHCS 3/4-10X2 3/4 GR5		
7.	803-020C	NUT HEX 1/2-13 PLT		
8.	803-026C	NUT LOCK 3/4-10 PLT		
9.	803-067C	NUT HEX CPLR 7/16-14X1 3/4 PLT		
10.	804-014C	WASHER LOCK 7/16 PLT		
11.	804-015C	WASHER LOCK SPRING 1/2 PLT		
12.	804-041C	WASHER FLAT 7/16 SAE PLT		
13.	805-001C	PIN BENT .38X3.0 USBL W/PIN		
14.	805-032C	PIN HAIR COTTER .148 WIRE		

Grader Blade Mounting Arms

Applies to LR3784, LR3796



39436

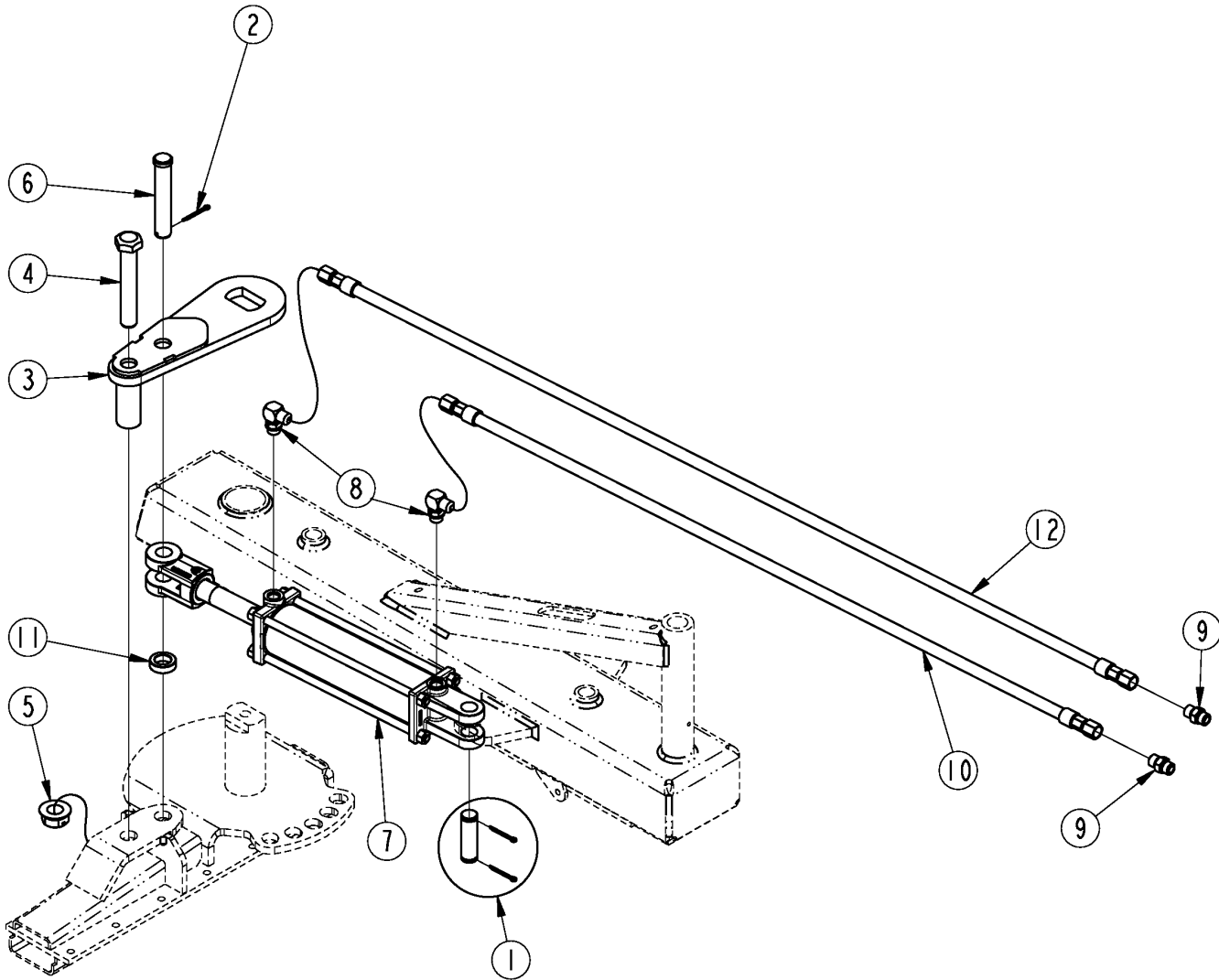
Grader Blade Mounting Arms

Applies to LR3784, LR3796

Ref	Part No.	Part Description	Comments	Revision
	Dwg 39436	Image No.		
	302-260A	LR15 GB MOUNT LESS DUAL GW		
	*			
1.	302-204H	GRADER BLD MTG PULL TYPE		
2.	802-216C	HHCS 3/8-16X2 3/4 GR5		
3.	803-014C	NUT HEX 3/8-16 PLT		
4.	804-060C	WASHER INT-EXT 3/8 PLT		

Hydraulic Angling Kit

Applies to LR3784, LR3796



39439

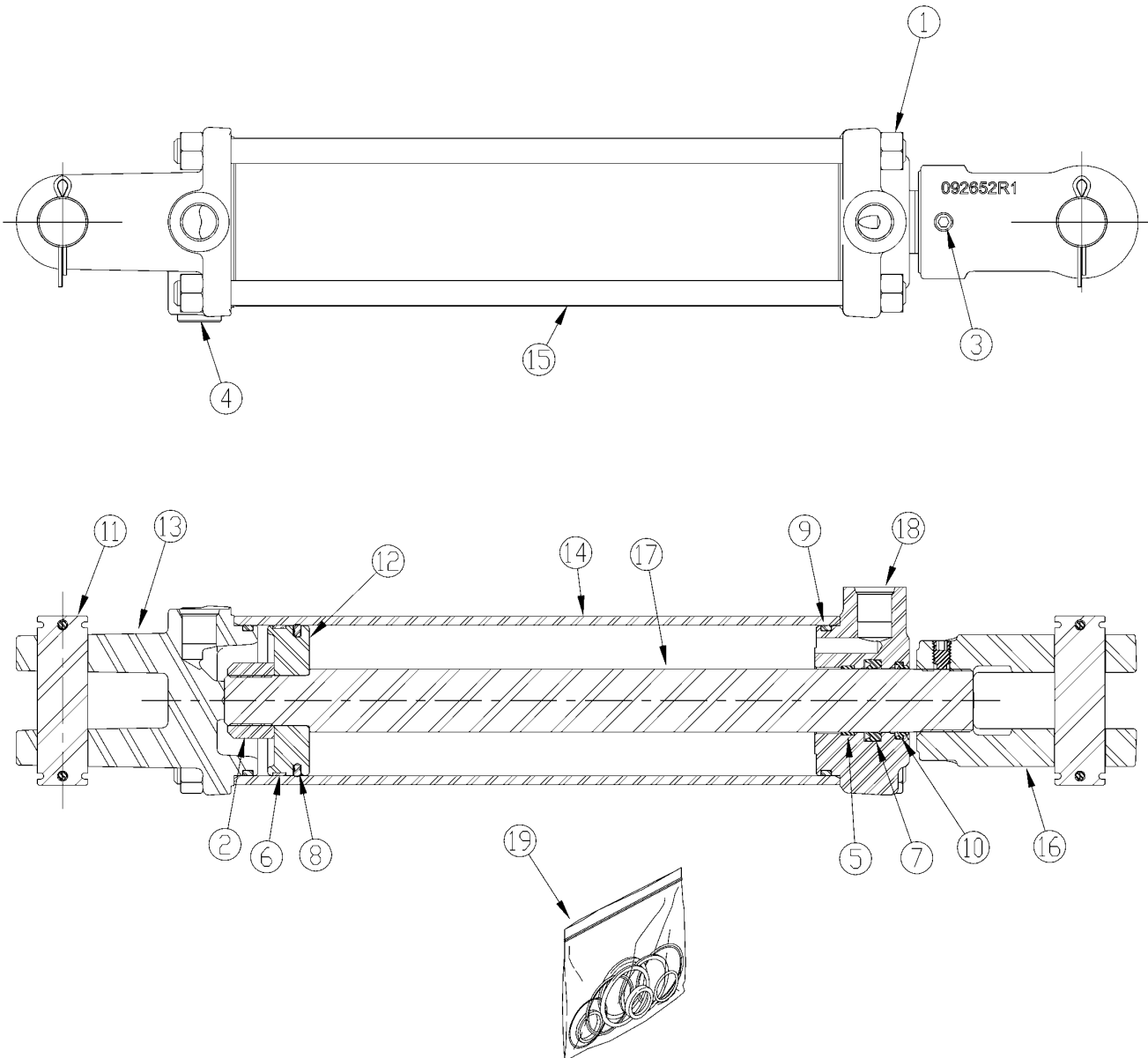
Hydraulic Angling Kit

Applies to LR3784, LR3796

Ref	Part No.	Part Description	Comments	Revision
	Dwg 39439	Image No.		
	302-335A	KIT, LR37 HYDRAULIC ANGLE		
	*			
1.	235005	MON PIN KIT 1.00C/W COTTER PIN		
2.	235005_COTTER	COTTER PIN		
3.	302-336H	WLDMNT, LR37 HYD ANG PLATE		
4.	802-357C	HHCS 1-8X6 GR5		
5.	803-258C	NUT HEX FLG LOCK 1-8 GR B PLT		
6.	805-527C	PIN CLVS 1.0X5.19 USBL GR5		
7.	810-747C	CYL 3X10X1.25 ROD (TIE)		
8.	811-063C	EL 3/4MJIC 3/4MORB		
9.	811-088C	AD 3/4MORB 3/4MJIC		
10.	811-985C	HH3/8R2 078 3/4FJIC		
11.	827-001C	SPACER 1/2		
12.	841-006C	HH3/8R2 087 3/4FJIC		

Hydraulic Cylinder (810-747C)

Applies to LR3784, LR3796



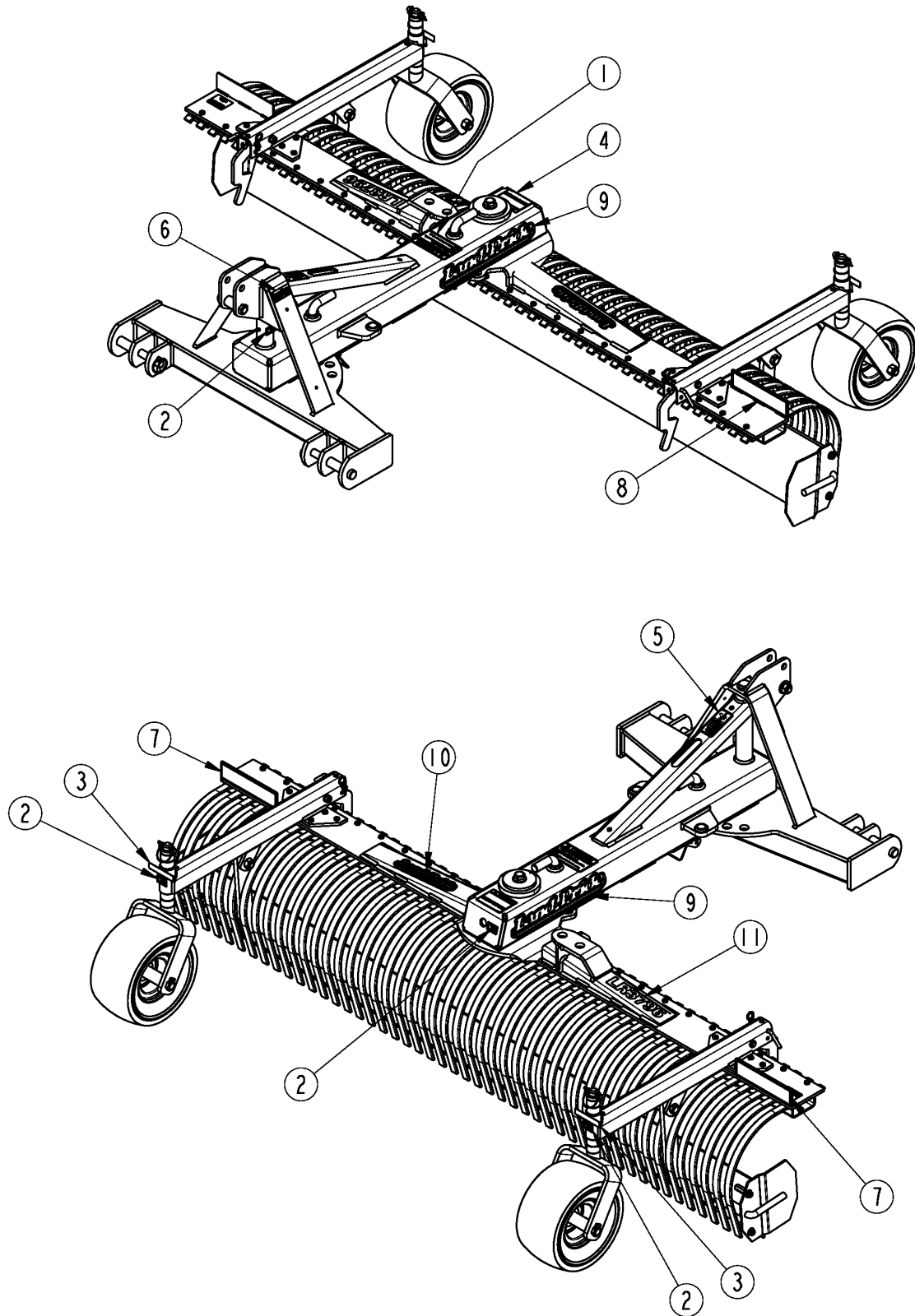
35415

Hydraulic Cylinder (810-747C)**Applies to LR3784, LR3796**

Ref	Part No.	Part Description	Comments	Revision
	Dwg 35415 810-747C	Drawing Image Number CYL 3X10X1.25 ROD (TIE) *		
1.	803-020C	NUT HEX 1/2-13 PLT		
2.	130560	MON PISTON NUT		
3.	148000	MON SET SCREW 3/8INC ONE PIECE		
4.	186562	LION PLUG 3/4-16UNF SOCKET HD		
5.	190131	MON WEAR RING 1.37-1.25-0.250	In Seal Kit Item #19	
6.	190186	MON WEAR RING 3.00-2.88-0.260	In Seal Kit Item #19	
7.	194016	MON SEAL ZURCON U-CUP RU9 1.25	In Seal Kit Item #19	
8.	197064	MON SEAL ZURCON WYNSEAL 3.00	In Seal Kit Item #19	
9.	199139	MON SEAL DUAL 3.00	In Seal Kit Item #19	
10.	199157	MON SEAL WIPER 1.25 WNUC TSS	In Seal Kit Item #19	
11.	235005	MON PIN KIT 1.00C/W COTTER PIN		
12.	258821	MON PISTON 3.00-1.0-TSS-ISO-WR		
13.	292675	MON CLEVIS CAP		
14.	491740	MON TUBE CYL 3.00-10.00		
15.	492280	MON TIE ROD 1/2-10.00		
16.	492652	LION ROD CLEVIS 1 1/4 (1PIN)		
17.	492869	MON RODCYL 1.25-10-1.00-1.25TL		
18.	494277	MON ROD CAP3.0-1.25-3/4ORB-TSS		
19.	649206	MON SEAL KIT KR30WR-125 TSS		

Decals

Applies to LR3784, LR3796



39438

Decals**Applies to LR3784, LR3796**

Ref	Part No.	Part Description	Comments	Revision
	Dwg 39438	Image No.		
1.	818-202C	DECAL CAUTION FALL MBOARD/RAKE		
2.	818-298C	DECAL GREASE 25HRS BLACK/WHITE		
3.	818-335C	DECAL RED NARROW REFLECTOR		
4.	818-487C	DECAL DANGER CRUSHING/PINCHING		
5.	818-798C	DECAL WARNING PINCH POINT GEN		
6.	838-517C	DECAL QUICK HITCH SYSTEM		
7.	838-614C	DECAL REFLECTOR RED 2X9		
8.	838-615C	DECAL REFLECTOR AMBER 2X9		
9.	838-965C	DECAL LANDPRIDE 16" BROWN/GOLD		
10.	848-159C	DECAL LANDPRIDE 10" BROWN/GOLD		
11.	858-685C	DECAL, LR3784 GOLD	LR3784	
11.	858-686C	DECAL, LR3796 GOLD	LR3796	

Land Pride Touch-up Paints

Applies to LR3784, LR3796

No diagram associated with this Parts List

Land Pride Touch-up Paints**Applies to LR3784, LR3796**

Ref	Part No.	Part Description	Comments	Revision
1.	821-011C	LP BEIGE SPRAY CAN	Spray can	
1.	821-070C	GLOSS BLACK SPRAY CAN	Spray can	
1.	821-054C	MED. RED SPRAY TRCK/CTR	Spray can	
1.	821-058C	GREEN SPRAY CUTTERS	Spray can	
1.	821-066C	ORANGE SPRAY CAN	Spray can	
1.	821-067C	BLUE SPRAY CAN	Spray can	
1.	821-080C	PAINT ALUMINUM/ZINC SPRAY CAN	Spray can	
2.	821-011CTU	LP BEIGE TOUCH-UP 5OZ	Touch-up bottle with brush	
2.	821-070CTU	GLOSS BLACK TOUCH-UP 5OZ	Touch-up bottle with brush	
2.	821-054CTU	MED RED TOUCH-UP 5OZ	Touch-up bottle with brush	
2.	821-058CTU	GREEN TOUCH-UP 5OZ	Touch-up bottle with brush	
2.	821-066CTU	ORANGE TOUCH-UP 5OZ	Touch-up bottle with brush	
2.	821-067CTU	BLUE TOUCH-UP 5OZ	Touch-up bottle with brush	
2.	821-080CTU	PAINT ALUMINUM/ZINC TOUCH UP	Touch-up bottle with brush	
3.	821-011CQT	LP BEIGE QUART	Quart can	
3.	821-070CQT	GLOSS BLACK QUART	Quart can	
3.	821-054CQT	MED RED QUART	Quart can	
3.	821-058CQT	GREEN QUART	Quart can	
3.	821-066CQT	ORANGE QUART	Quart can	
3.	821-067CQT	BLUE QUART	Quart can	
3.	821-080CQT	PAINT ALUMINUM/ZINC QUART	Quart can	
4.	821-011CGL	LP BEIGE GALLON	Gallon can	
4.	821-070CGL	GLOSS BLACK GALLON	Gallon can	
4.	821-054CGL	MED RED GALLON	Gallon can	
4.	821-058CGL	GREEN GALLON	Gallon can	
4.	821-066CGL	ORANGE GALLON	Gallon can	
4.	821-067CGL	BLUE GALLON	Gallon can	
4.	821-080CGL	PAINT ALUMINUM/ZINC GALLON	Gallon can	



Part Number Index

The Part Number Index is a numeric index of all part numbers included in this manual. The index shows what page(s) the part is used on.

<u>Part Number</u>	<u>Page</u>	<u>Part Number</u>	<u>Page</u>	<u>Part Number</u>	<u>Page</u>
*	11, 17, 19, 21, 23	803-026C	17	858-686C	25
130560	23	803-067C	17	890-173C	13
148000	23	803-094C	11	Dwg 35415	23
186562	23	803-209C	7, 9	Dwg 39424	7
190131	23	803-258C	21	Dwg 39433	9
190186	23	803-299C	7	Dwg 39434	11
194016	23	804-014C	17	Dwg 39436	19
197064	23	804-015C	17	Dwg 39437	17
199139	23	804-041C	17	Dwg 39438	25
199157	23	804-060C	11, 19	Dwg 39439	21
235005	21, 23	805-001C	17	dwg13625	13
235005_COTTER	21	805-015C	7	dwg19042	15
258821	23	805-021C	7		
292675	23	805-032C	17		
300-213H	7	805-065C	11		
300-246H	7	805-212C	7		
300-246H81	7	805-213C	7		
300-246H82	7	805-433C	7		
300-265H	7	805-527C	21		
300-265H81	7	810-747C	21, 23		
300-265H82	7	811-063C	21		
300-504D	7	811-088C	21		
301-240D	9	811-985C	21		
301-478D	9	814-041C	11, 13		
302-017H	17	814-053C	11, 15		
302-076D	11	817-048C	11		
302-095H	11	818-202C	25		
302-096H	11	818-298C	25		
302-097H	17	818-335C	25		
302-099H	17	818-487C	25		
302-100H	17	818-798C	25		
302-106A	17	820-037C	9		
302-107A	17	821-011C	27		
302-130D	9	821-011CGL	27		
302-174A	11	821-011CQT	27		
302-176A	11	821-011CTU	27		
302-202H	11	821-054C	27		
302-204H	19	821-054CGL	27		
302-260A	19	821-054CQT	27		
302-329H	9	821-054CTU	27		
302-330H	9	821-058C	27		
302-335A	21	821-058CGL	27		
302-336H	21	821-058CQT	27		
308-400D	7	821-058CTU	27		
491740	23	821-066C	27		
492280	23	821-066CGL	27		
492652	23	821-066CQT	27		
492869	23	821-066CTU	27		
494277	23	821-067C	27		
53-164	15	821-067CGL	27		
53-167	13	821-067CQT	27		
53-181	13	821-067CTU	27		
53-189	15	821-070C	27		
649206	23	821-070CGL	27		
800-001C	11	821-070CQT	27		
800-080C	7	821-070CTU	27		
802-022C	9	821-080C	27		
802-039C	17	821-080CGL	27		
802-072C	11	821-080CQT	27		
802-080C	17	821-080CTU	27		
802-086C	17	822-089C	13		
802-204C	7	827-001C	11, 21		
802-216C	11, 19	827-002C	11		
802-262C	11	838-517C	25		
802-357C	21	838-614C	25		
802-897C	9	838-615C	25		
802-934C	7	838-965C	25		
803-014C	11, 19	841-006C	21		
803-020C	17, 23	848-159C	25		
803-025C	11	858-685C	25		

This Page Intentionally Left Blank



Great Plains Manufacturing, Inc.

Corporate Office: P.O. Box 5060
Salina, Kansas 67402-5060 USA

www.landpride.com
