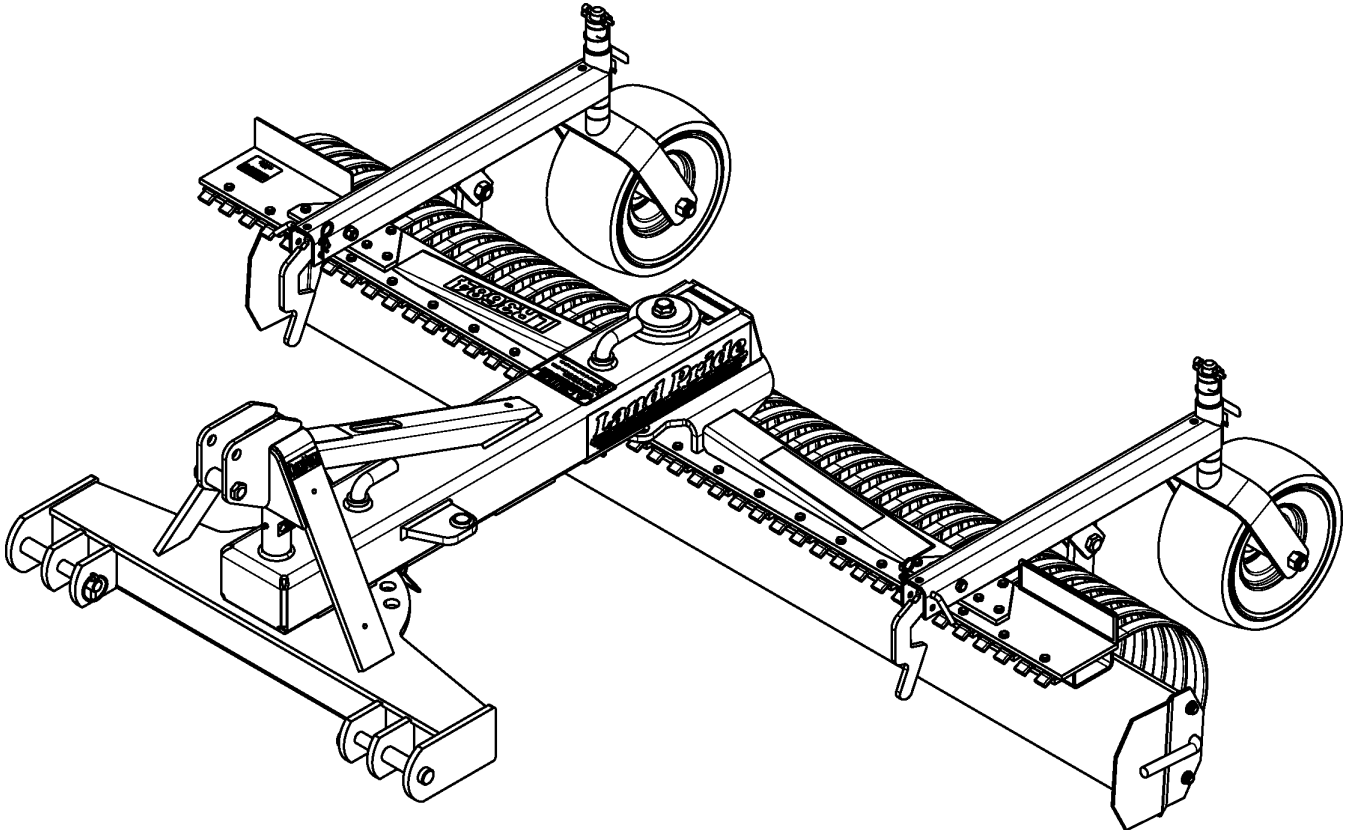


Rear Blades

LR3684 & LR3696



35079

302-306P
Parts Manual



Read the Operator's Manual entirely. When you see this symbol, the subsequent instructions and warnings are serious - follow without exception. Your life and the lives of others depend on it!

© Copyright 2017 Printed 12/26/17

Cover photo may show optional equipment not supplied with standard unit.





Table of Contents

Section 1: Introduction.....	4
Using This Manual.....	4
Manual Replacement Information.....	4
Manual Revisions.....	4
Touch-up Paint.....	4
Hardware Legend.....	5
Replacement Hardware.....	5
Serial Numbers.....	5
Part Number Service Coding.....	5
Section 2: Frame and Rake.....	6
Frame and Rake.....	6
Section 3: Labels.....	8
Label Placement.....	8
Land Pride Touch-up Paints.....	10
Section 4: Options & Accessories.....	12
Flip Down Grader Blade.....	12
Gauge Wheel Dual.....	14
Gauge Wheel Tire (814-041C) 4" Wide.....	16
Gauge Wheel Tire (814-053C).....	18
Grader Blade Mounting Arms.....	20
Part Number Index.....	22

© Copyright 2017. All rights reserved.

Land Pride provides this publication "as is" without warranty of any kind, either expressed or implied. While every precaution has been taken in the preparation of this manual, Land Pride assumes no responsibility for errors or omissions. Neither is any liability assumed for damages resulting from the use of the information contained herein. Land Pride reserves the right to revise and improve its products as it sees fit. This publication describes the state of this product at the time of its publication, and may not reflect the product in the future. The illustrations in this manual are not intended for safe and proper assembly or disassembly of equipment. The illustrations are intended for ordering parts only.

Land Pride is registered trademark.

All other brands and product names are trademarks or registered trademarks of their respective holders.

Printed in the United States of America.



Alphabetized Table of Contents

F

Flip Down Grader Blade.....	12
Frame and Rake.....	6

G

Gauge Wheel Dual.....	14
Gauge Wheel Tire (814-041C) 4" Wide.....	16
Gauge Wheel Tire (814-053C).....	18
Grader Blade Mounting Arms.....	20

L

Label Placement.....	8
Land Pride Touch-up Paints.....	10

General Information

Using This Manual

This manual is divided into sections. The first section contains General Information. The remaining sections divide the machine into segments (i.e. Frames, Drives, Hydraulics, etc.) which illustrate and list all parts. A Parts Number Index is located at the back of the book.

The Land Pride parts in this manual are specially designed for this machine and should be replaced with Land Pride parts only.

The information in this manual is current at time of printing. Some parts may change to assure top performance.

Right-hand and left-hand as used in this manual are determined by facing the direction the machine will travel while in use.

Below is an example of two facing pages from a parts manual. Familiarize yourself with the type of information contained on these pages.

Manual Replacement Information

Replacement manuals are available. Refer to our website at www.landpride.com or e-mail us at lit@landpride.com for additional information. Our website continues to provide the most up-to-date manuals available.

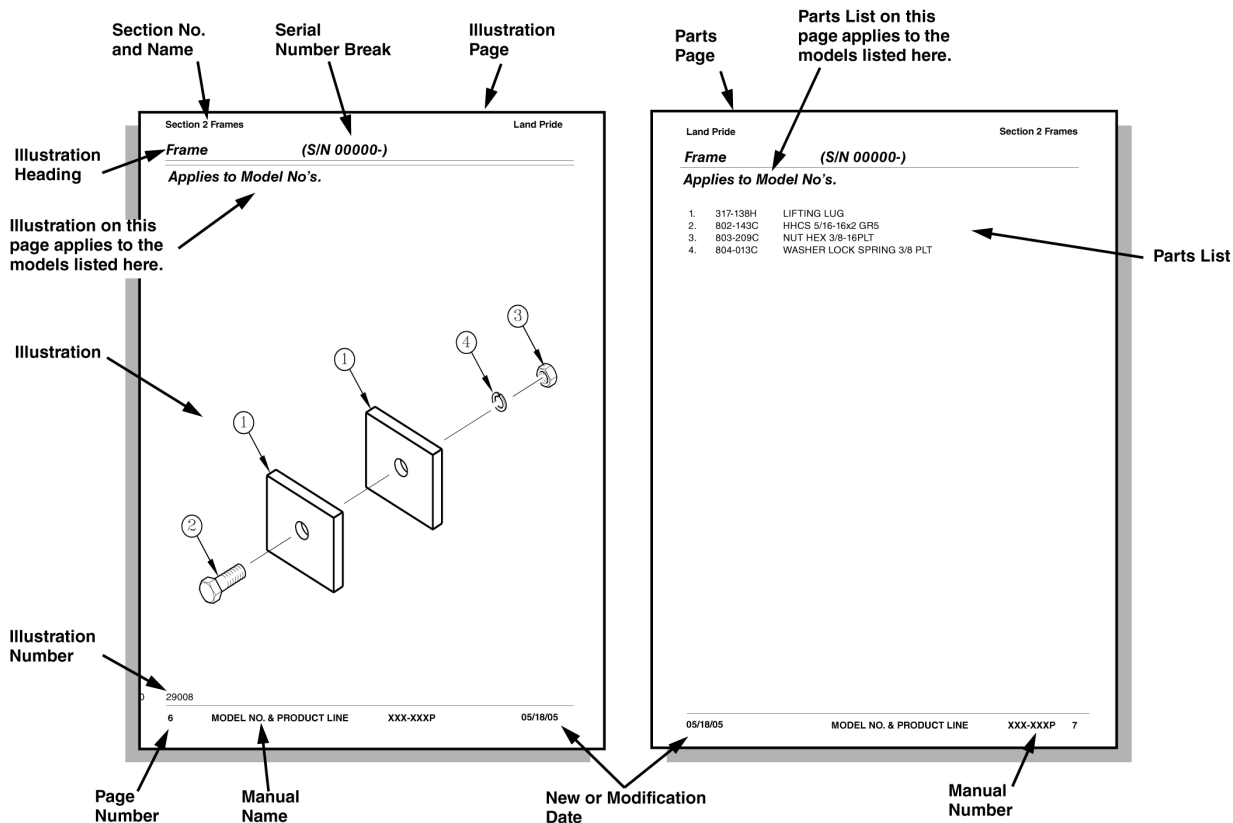
Touch-up Paint

Repaint parts where paint is worn or scratched to prevent rust. Aerosol cans and touch-up bottles with brush applicator are available through your local dealer. Land Pride color descriptions and part numbers are listed below. Also available are quart and gallon size paints. Add QT or GL to end of the Aerosol P/N.

Color	Product*	Aerosol	Touch-Up
Gloss Black	LP	821-070C	821-070CTU
Beige	LP	821-011C	821-011CTU
Green	SLP	821-058C	821-058CTU
Orange	SLP	821-066C	821-066CTU
Red	SLP	821-054C	821-054CTU
Blue	SLP	821-067C	821-067CTU

Notes:

- * LP = All Land Pride Products
- SLP = Select Land Pride Products that are available in optional Green, Orange and Red.



General Information

Hardware Legend

AR	As Required
BLADE	Blade Bolt
C	Cap Screw
CP	Cotter Pin
CPHSSS	Cup Point Hex Socket Set Screw
CPSHSS	Cup Point Square Head Set Screw
CPSQHSS	Cup Point Square Head Set Screw
CRFCHMS3	Cross Recess Flat Countersunk Head Machine Screw
CRPHMS	Cross Recess Pan Head Machine Screw
CRPHTF	Cross Recess Pan Head Thread Forming
CRRHMS	Cross Recess Round Head Machine Screw
CRTHMS	Cross Recess Truss Head Machine Screw
CSNB	Countersunk Square Neck Bolt
FHMS	Flat Head Machine Screw
FTC	Full Thread Cap Screw
H	Hex Nut
HCLN	Hex Center Lock Nut
HFLCS	Hex Flange Lock Cap Screw
HFS	Hex Flange Screw
HFSLN	Hex Flange Serrated Lock Nut
HFSS	Hex Flange Serrated Screw
HHCS	Hex Head Cap Screw or Metric Bolt
HSBHCS	Hex Socket Button Head Cap Screw
HSFCHCS	Hex Socket Flat Countersunk Head Cap Screw
HSHCS	Hex Socket Head Cap Screw
HSSS	Hex Socket Head Screw
HTLN	Hex Top Lock Nut
HWHCS	Hex Washer Head Cap Screw

HWHMS	Hex Washer Head Machine Screw
HXBHCS	Hex Socket Button Head Cap Screw
J	Hex Jam Nut
JIC	37 Degree Tapered Thread
L	Helical Spring Lock Washer
LUG	Lug Bolt
NFC	National Fine Cap Screw
NPSM	National Pipe Straight Mechanical
NPTF	National Pipe Taper Fuel
P	Wide Plain Washer
PHMS	Pan Head Machine Screw
PLOW	Plow Bolt
RHMS	Round Head Machine Screw
RHSNB	Round Head Square Neck Bolt
SCREW LEVELING	Leveling Screw
SCREW THUMB	Thumb Screw
SCREW WELD	Weld Screw
SFCHMS	Slotted Flat Countersunk Head Machine Screw
SFHMS	Slotted Fillister Head Machine Screw
SP	Special
SP SCREW	Special Screw
SQHSS	Square Head Set Screw
SRHMS	Slotted Round Head Machine Screw
SSS	Socket Set Screw
STCS	Self Tapping Cap Screw
STHMS	Slotted Truss Head Machine Screw
WHEEL	Wheel Studs and Hub Long Bolts
WING	Wing Bolt

Replacement Hardware

The **Hardware Legend** above lists hardware abbreviations used in the parts list. All bolts and nuts are Grade 5 unless otherwise noted. The use of improper grades of hardware can result in personal injury, damage to equipment, or loss of property.

Colored Replacement Parts

Land Pride offers replacement parts in factory standard colors and also on select models in Green, Orange, Red and Blue. Because of the variety of colors available, special attention must be given to the part number to prevent ordering the wrong replacement part.

A suffix number corresponding to one of the colors below must be added at the end of Land Pride's part number when ordering a replacement part with that color.

81 Green 83 Red
82 Orange 84 Blue

For example, if you are ordering a replacement part with part number 555-555C and the part you need is red, then add the suffix 83 to the end of the number to make the part number read 555-555C83. Parts ordered without a suffix number will be supplied in factory standard colors.

Black Replacement Parts

Some parts are factory standard black and some must be special ordered black. If your part is special ordered black, a second part number with the additional suffix number 85 on the end will be available. In this situation you must order that part with the suffix number for it to be black. Parts that are factory standard black will not have the suffix number.

Part Number Service Coding

Within the parts list some part numbers are coded for revisions and interchangeability. See notations in revision column.

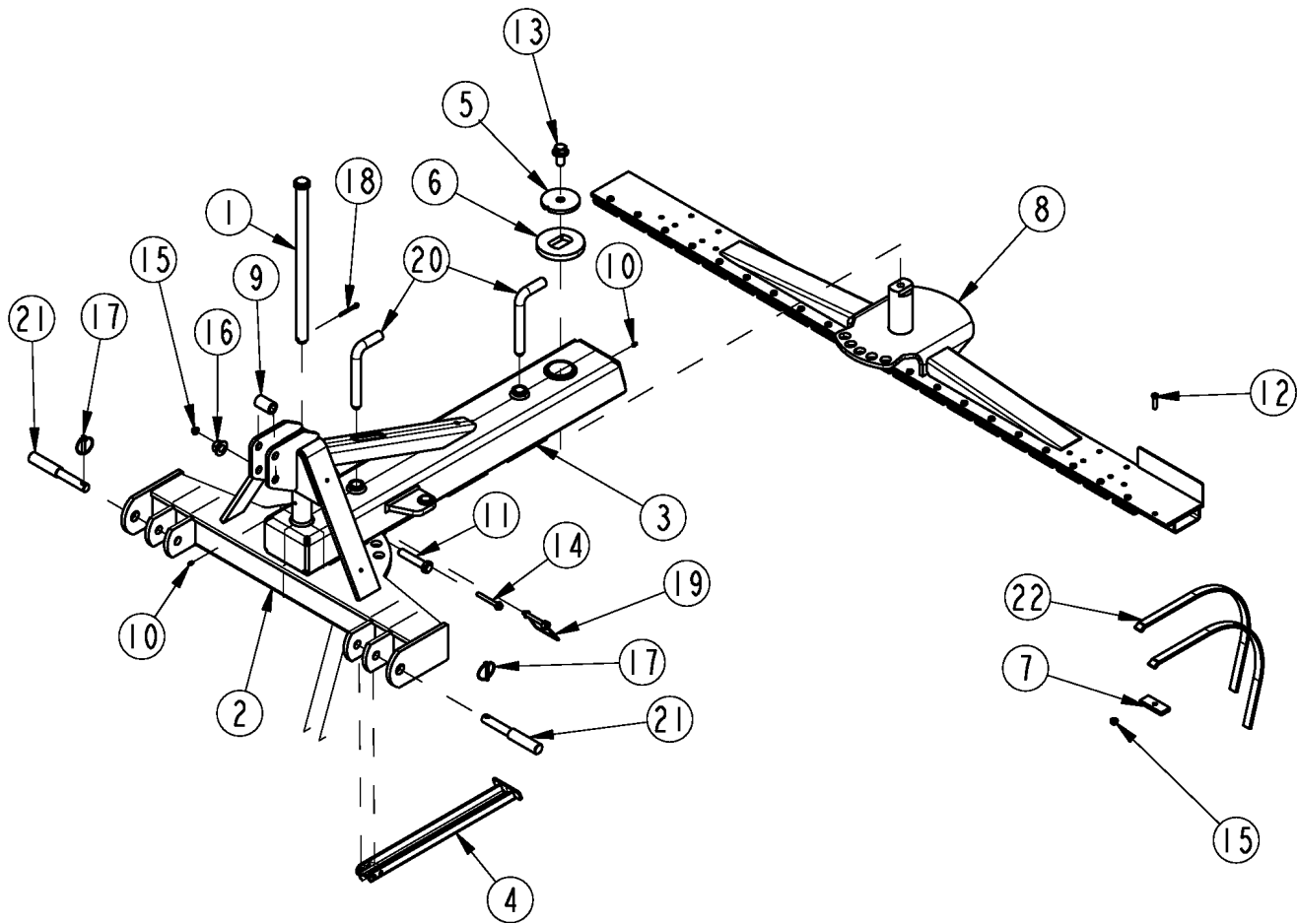
Serial Numbers

Always use the serial and model number when ordering parts. Refer to the Operator's Manual for serial number plate location.

- (S/N 20001+) Includes serial numbers 20001 and above (to the latest number)
- (S/N 10001 to 20000) Includes serial numbers between and including 10001 and 20000
- (S/N 10000-) Includes serial numbers 10000 and below (to the earliest number)

Frame and Rake

Applies to LR3684, LR3696



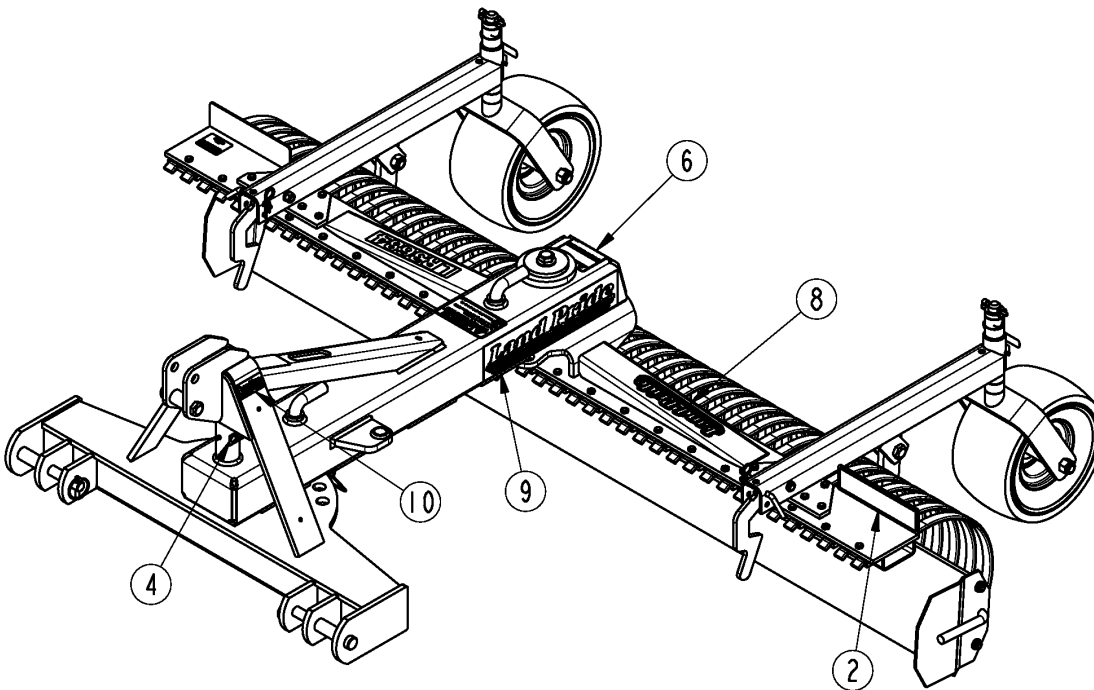
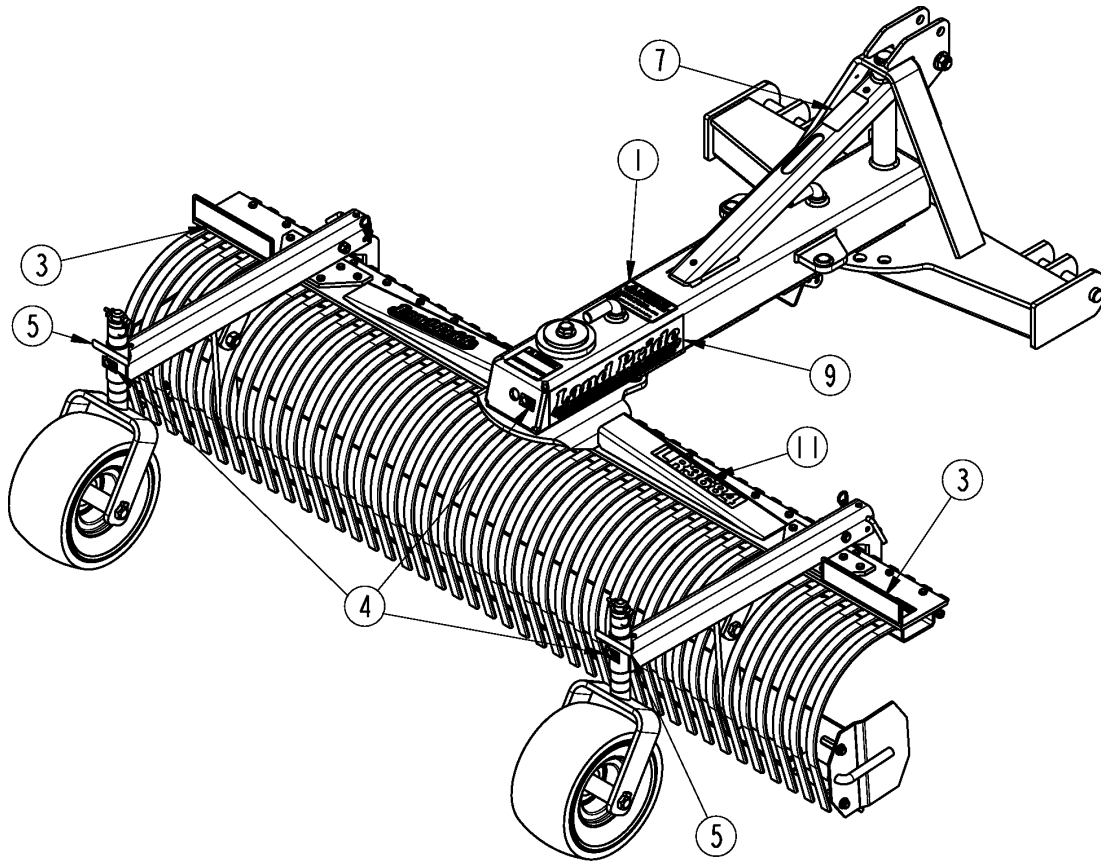
35080

Frame and Rake**Applies to LR3684, LR3696**

Ref	Part No.	Part Description	Comments	Revision
	Dwg 35080	Drawing Image Number		
1.	300-213H	FRONT PIVOT SHAFT WELDMNT		
2.	300-246H	WLDMNT, RB36 HITCH		
2.	300-246H81	WLDMNT, RB36 GREEN HITCH		
2.	300-246H82	WLDMNT, RB36 ORANGE HITCH		
3.	300-265H	WLDMNT, RB37 SERIES MAIN FRAME	S/N 787948+	
3.	300-247H	RPBY 300-265H	S/N 787947-	
3.	300-265H81	WLDMNT, RB37 GREEN MAIN FRAME	S/N 787948+	
3.	300-247H81	RPBY 300-265H81	S/N 787947-	
3.	300-265H82	WLDMNT, RB37 ORANGE MAIN FRAME	S/N 787948+	
3.	300-247H82	RPBY 300-265H82	S/N 787947-	
4.	300-504D	STAND, RB26/36 SUPPORT		
5.	301-240D	40 PIVOT CAP	S/N 911765+	
5.	301-303D	RETAINER CAP	S/N 911764-	
6.	301-478D	PLATE, RB36 DRIVE PIVOT CAP		
7.	302-130D	RAKE TINE CLIP		
8.	302-299H	WLDMNT, LR3684 RAKE MOUNT		
8.	302-300H	WLDMNT, LR3696 RAKE MOUNT		
9.	308-400D	SPACER 1 1/4OD X 13/16ID X 2LG		
10.	800-080C	GREASE ZERK 1/4-28 THD FORMING		
11.	802-066C	HHCS 3/4-10X3 1/2 GR5		
12.	802-022C	HHCS 3/8-16X1 1/2 GR5	S/N 792755+	
12.	802-569C	HFSS 3/8-16X1 1/2 GR5	S/N 792754-	
13.	802-897C	HFS 3/4-10X1 1/2 GR 5 PLT		
14.	802-934C	HFS 3/8-16X3 GR5 ZNYCR		
15.	803-209C	NUT FLANGE LOCK 3/8-16 PLT		
16.	803-299C	NUT HEX FLG TOP LK 3/4-10 PLT		
17.	805-015C	PIN LINCH 5/16 X 1 3/4		
18.	805-021C	PIN COTTER 1/4 X 2 PLT		
19.	805-212C	PIN WIRE SNAP LOCK 3/8 X 2 1/2		
20.	805-213C	PIN BENT 1 OD X 7 PLATED		
21.	805-433C	PIN, CAT. I-II 8" HITCH		
22.	820-037C	RAKE TOOTH 1	84" 42 Total & 96" 48 Total	

Label Placement

Applies to LR3684, LR3696



35081

Label Placement**Applies to LR3684, LR3696**

Ref	Part No.	Part Description	Comments	Revision
	dwg35081	Drawing Image Number		
1.	818-202C	DECAL CAUTION FALL MBOARD/RAKE		
2.	838-615C	DECAL REFLECTOR AMBER 2X9	S/N 821694+ LR2696	
2.	818-229C	DECAL AMBER REFLECTOR	S/N 821693- LR3684 & LR3696	
3.	838-614C	DECAL REFLECTOR RED 2X9	S/N 821694+ LR2696 & LR3696	
3.	818-230C	DECAL RED REFLECTOR	S/N 821963- LR3684 & LR3696	
4.	818-298C	DECAL GREASE 25HRS BLACK/WHITE		
5.	818-335C	DECAL RED NARROW REFLECTOR		
6.	818-487C	DECAL DANGER CRUSHING/PINCHING		
7.	818-798C	DECAL WARNING PINCH POINT GEN		
8.	848-159C	DECAL LANDPRIDE 10" BROWN/GOLD	S/N 822206+	
8.	818-898C	RPBY 848-159C	S/N 822205-	
9.	818-901C	RPBY 838-965C	Beige Unit	
9.	838-965C	DECAL LANDPRIDE 16" BROWN/GOLD	Green & Orange Unit	
10.	838-517C	DECAL QUICK HITCH SYSTEM		
11.	848-879C	DECAL, LR3684 GOLD		
11.	848-880C	DECAL, LR3696 GOLD		

Land Pride Touch-up Paints

Applies to LR3684, LR3696

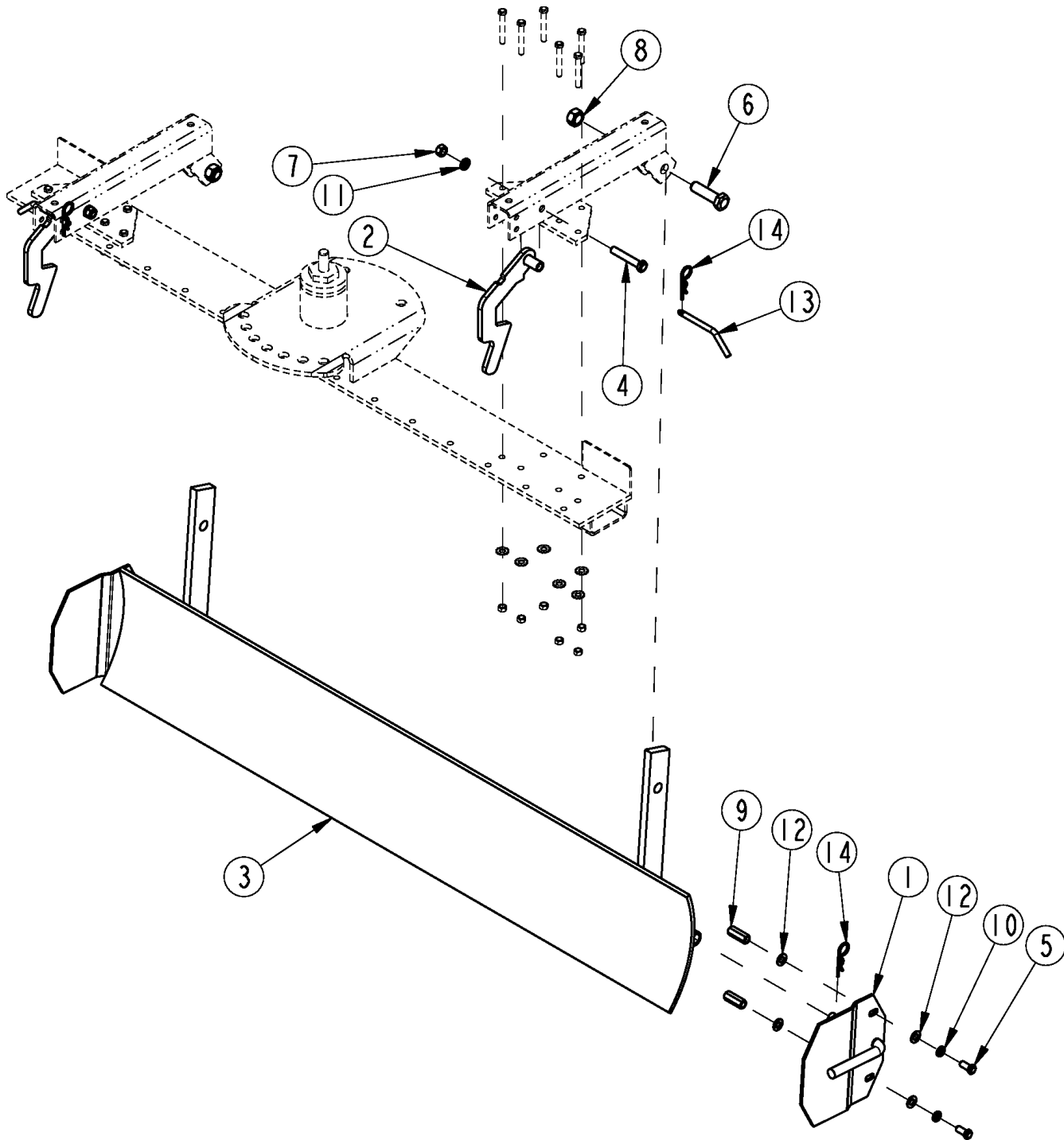
No diagram associated with this Parts List

Land Pride Touch-up Paints**Applies to LR3684, LR3696**

Ref	Part No.	Part Description	Comments	Revision
1.	821-011C	LP BEIGE SPRAY CAN	Spray can	
1.	821-070C	GLOSS BLACK SPRAY CAN	Spray can	
1.	821-054C	MED. RED SPRAY TRCK/CTR	Spray can	
1.	821-058C	GREEN SPRAY CUTTERS	Spray can	
1.	821-066C	ORANGE SPRAY CAN	Spray can	
1.	821-067C	BLUE SPRAY CAN	Spray can	
2.	821-011CTU	LP BEIGE TOUCH-UP 5OZ	Touch-up bottle with brush	
2.	821-070CTU	GLOSS BLACK TOUCH-UP 5OZ	Touch-up bottle with brush	
2.	821-054CTU	MED RED TOUCH-UP 5OZ	Touch-up bottle with brush	
2.	821-058CTU	GREEN TOUCH-UP 5OZ	Touch-up bottle with brush	
2.	821-066CTU	ORANGE TOUCH-UP 5OZ	Touch-up bottle with brush	
2.	821-067CTU	BLUE TOUCH-UP 5OZ	Touch-up bottle with brush	
3.	821-011CQT	LP BEIGE QUART	Quart can	
3.	821-070CQT	GLOSS BLACK QUART	Quart can	
3.	821-054CQT	MED RED QUART	Quart can	
3.	821-058CQT	GREEN QUART	Quart can	
3.	821-066CQT	ORANGE QUART	Quart can	
3.	821-067CQT	BLUE QUART	Quart can	
4.	821-011CGL	LP BEIGE GALLON	Gallon can	
4.	821-070CGL	GLOSS BLACK GALLON	Gallon can	
4.	821-054CGL	MED RED GALLON	Gallon can	
4.	821-058CGL	GREEN GALLON	Gallon can	
4.	821-066CGL	ORANGE GALLON	Gallon can	
4.	821-067CGL	BLUE GALLON	Gallon can	

Flip Down Grader Blade

Applies to LR3684, LR3696



33894

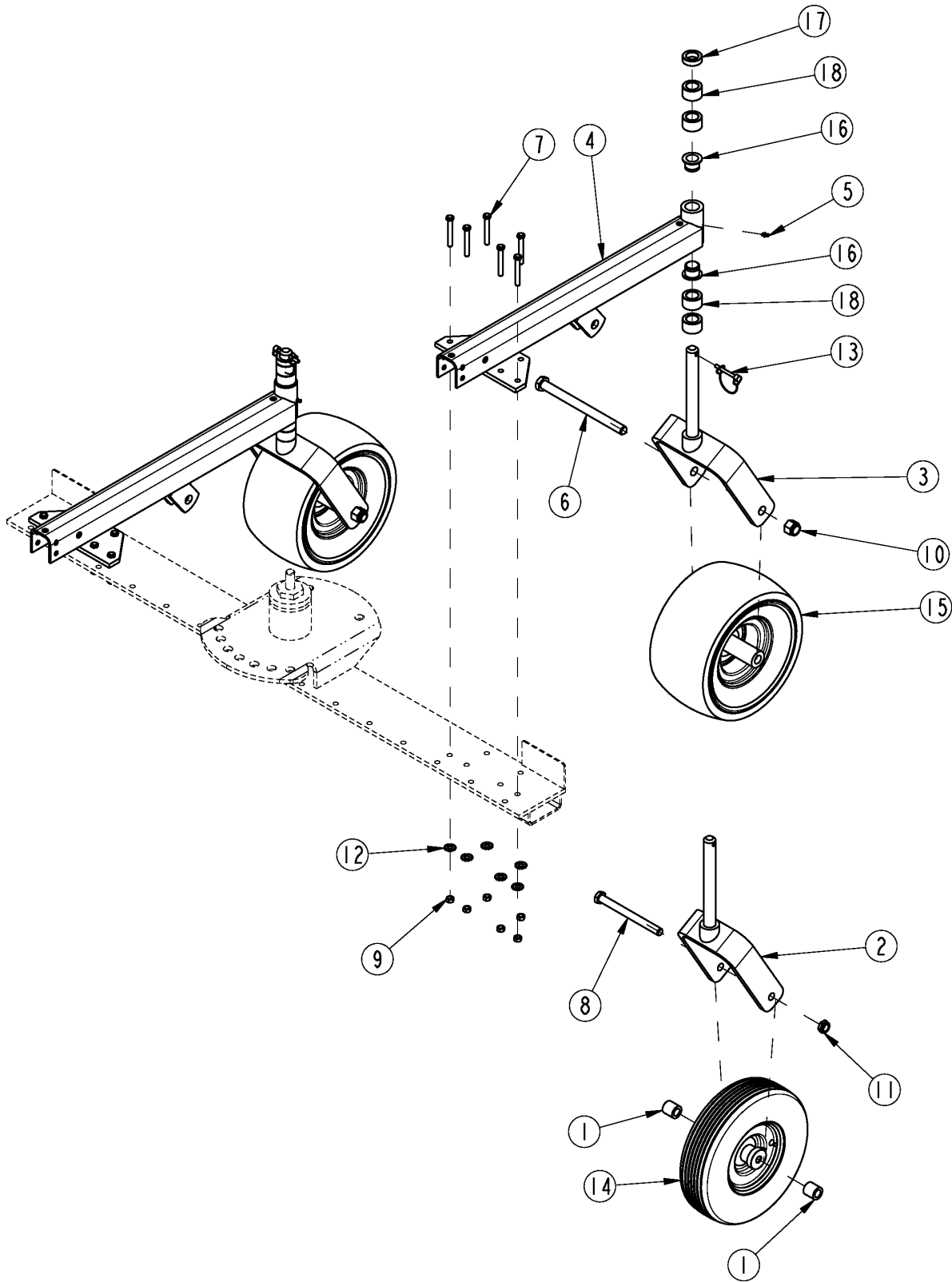
Flip Down Grader Blade

Applies to LR3684, LR3696

Ref	Part No.	Part Description	Comments	Revision
	dwg33894	Drawing Image Number		
1.	302-017H	SIDE PLATE WELDMENT		
2.	302-097H	BLADE LOCK HANDLE WELDMENT		
3.	302-145H	5' GRADER BLADE WELDMENT		
3.	302-098H	6' GRADER BLADE WELDMENT		
3.	302-099H	7' GRADER BLADE WELDMENT		
3.	302-100H	8' GRADER BLADE WELDMENT		
4.	802-039C	HHCS 1/2-13X3 GR5		
5.	802-080C	HHCS 7/16-14X1 GR5		
6.	802-086C	HHCS 3/4-10X2 3/4 GR5		
7.	803-020C	NUT HEX 1/2-13 PLT		
8.	803-026C	NUT LOCK 3/4-10 PLT		
9.	803-067C	NUT HEX CPLR 7/16-14X1 3/4 PLT		
10.	804-014C	WASHER LOCK 7/16 PLT		
11.	804-015C	WASHER LOCK SPRING 1/2 PLT		
12.	804-041C	WASHER FLAT 7/16 SAE PLT		
13.	805-001C	PIN 3/8 X 3 USABLE LW/PIN		
14.	805-032C	PIN HAIR COTTER .148 WIRE		

Gauge Wheel Dual

Applies to LR3684, LR3696



33892

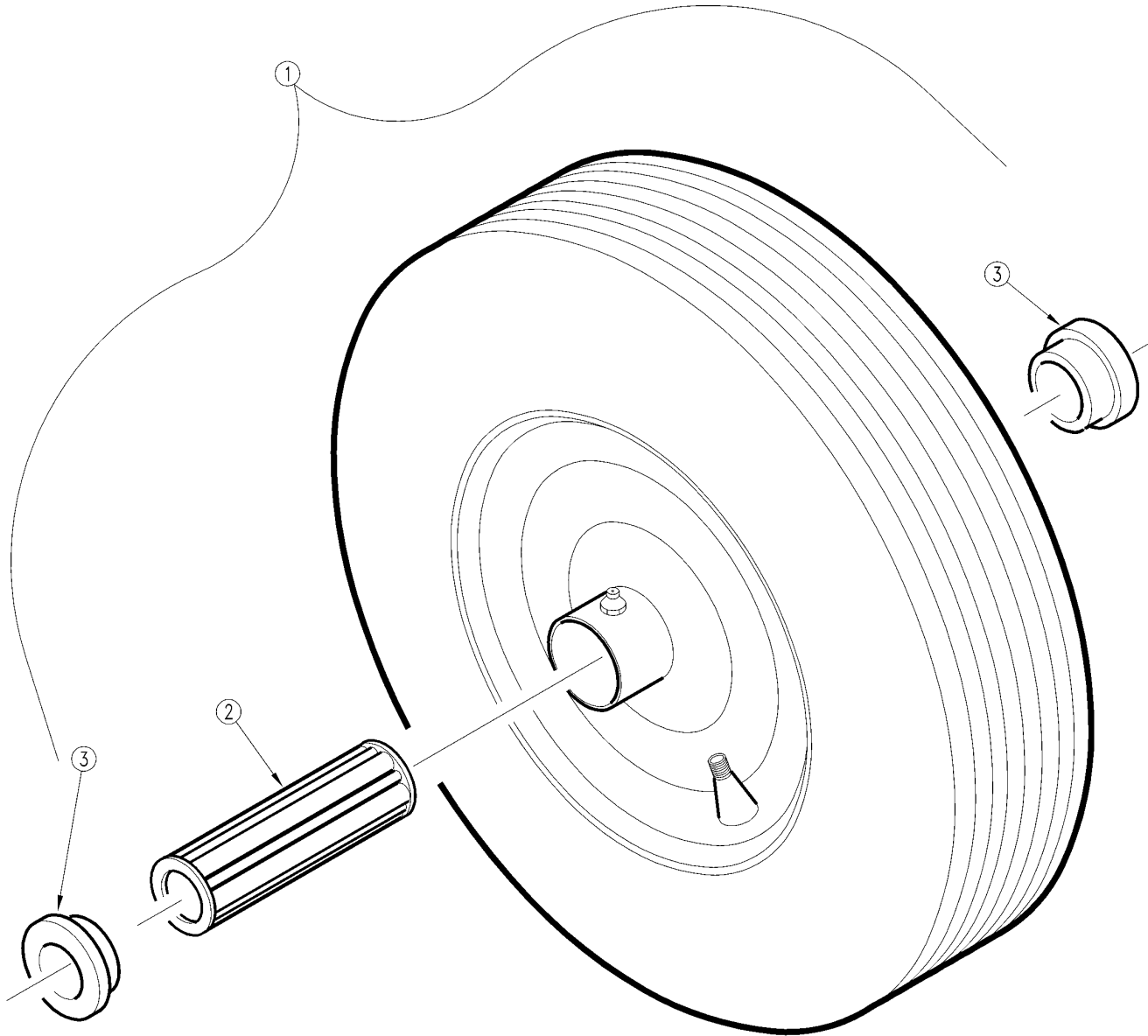
Gauge Wheel Dual

Applies to LR3684, LR3696

Ref	Part No.	Part Description	Comments	Revision
	dwg33892	Drawing Image Number		
1.	302-076D	WHEEL SPACER		
2.	302-095H	NARROW GW YOKE WELDMENT		
3.	302-096H	WIDE GW YOKE WELDMENT		
4.	302-202H	RAKE DUAL G.W. WELDMENT		
5.	800-001C	GREASE ZERK STRAIGHT 1/4-28		
6.	802-072C	HHCS 3/4-10X9 1/2 GR5		
7.	802-216C	HHCS 3/8-16X2 3/4 GR5		
8.	802-262C	HHCS 5/8-11X7 GR5		
9.	803-014C	NUT HEX 3/8-16 PLT		
10.	803-025C	NUT HEX 3/4-10 PLT NYLOCK		
11.	803-094C	NUT 5/8-11 NYLON COLLAR THIN		
12.	804-060C	WASHER INT-EXT 3/8 PLT		
13.	805-065C	PIN WIRE RETAINING 1/4 X 1 3/4		
14.	814-041C	WHEEL & TIRE PNEU 4.10 X 6		
15.	814-053C	TIRE & WHL 13/6.50X6 W/3/4 BOR		
16.	817-048C	SPINDLE BUSHING		
17.	827-001C	SPACER 1/2		
18.	827-002C	SPACER 1		

Gauge Wheel Tire (814-041C) 4" Wide

Applies to LR3684, LR3696



13625

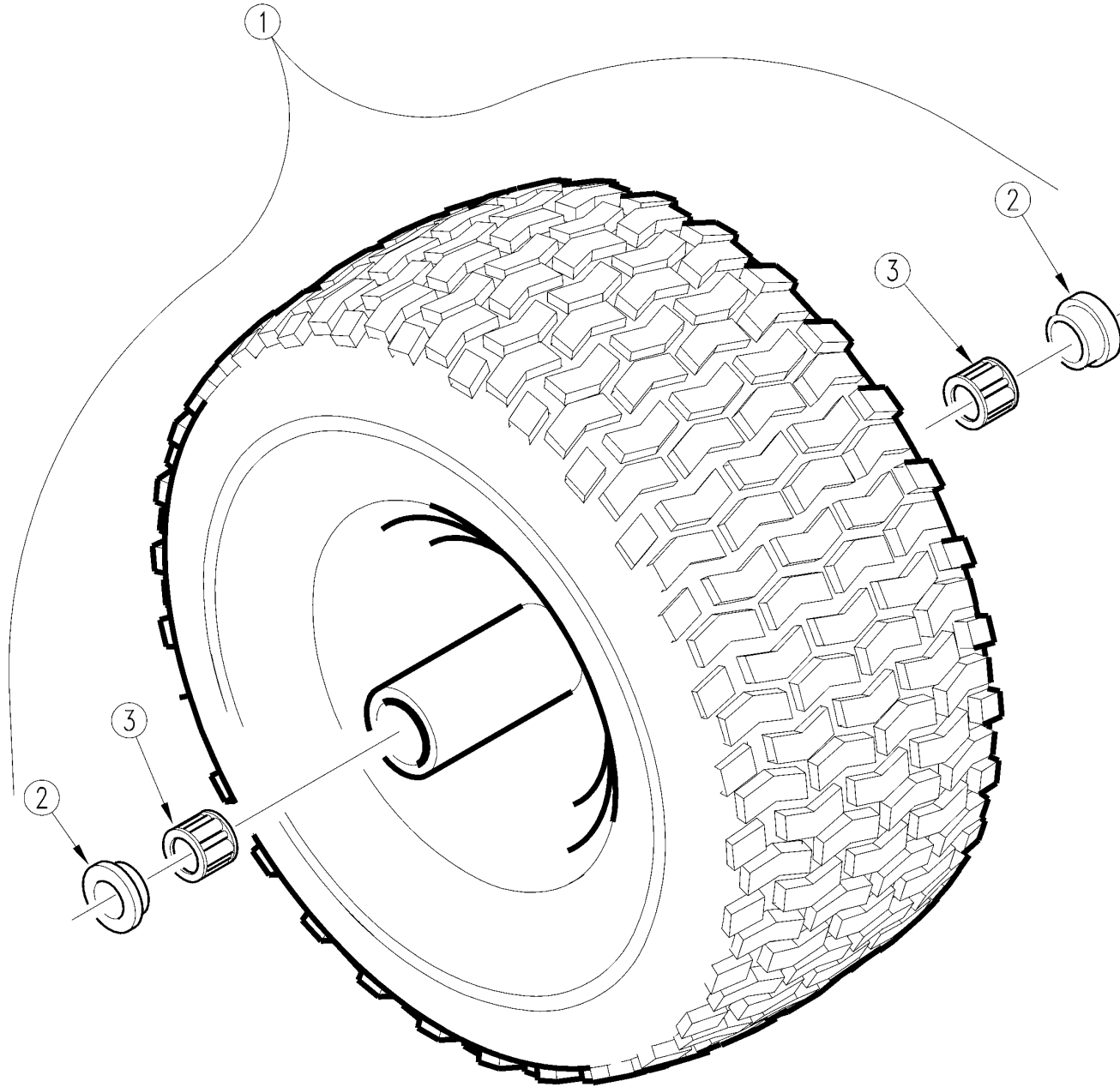
Gauge Wheel Tire (814-041C) 4" Wide

Applies to LR3684, LR3696

Ref	Part No.	Part Description	Comments	Revision
	dwg13625	Drawing Image Number		
1.	814-041C	WHEEL & TIRE PNEU 4.10 X 6		
2.	822-089C	BEARING 5/8X1 3/8X1 GLEASON587	two required	
2.	53-181	TILDEN BRG 5/8IDX1 3/8ODX2 1/2	one required	
3.	890-173C	END CAP GLEASON 4206		
3.	53-167	TILDEN RTNR 5/8IDX1 3/8ODX1/4L		

Gauge Wheel Tire (814-053C)

Applies to LR3684, LR3696



19042

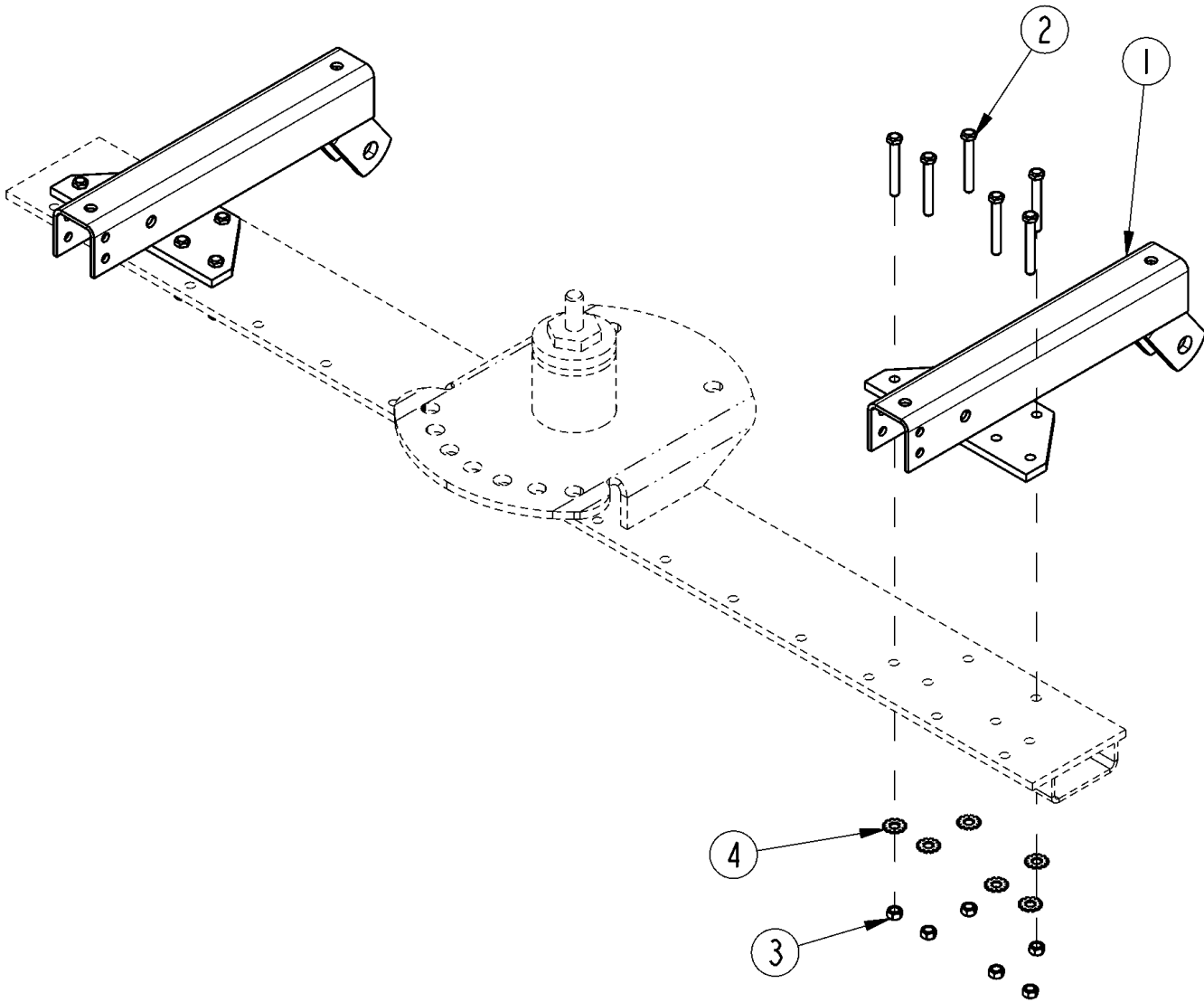
Gauge Wheel Tire (814-053C)

Applies to LR3684, LR3696

Ref	Part No.	Part Description	Comments	Revision
	dwg19042	Drawing Image Number		
1.	814-053C	TIRE & WHL 13/6.50X6 W/3/4 BOR		
2.	53-164	TILDEN RTNR 3/4IDX1 3/8ODX1/4L		
3.	53-189	TILDEN BRG 3/4ID1.34ODX15/16L		

Grader Blade Mounting Arms

Applies to LR3684, LR3696



33893

Grader Blade Mounting Arms

Applies to LR3684, LR3696

Ref	Part No.	Part Description	Comments	Revision
	dwg33893	Drawing Image Number		
1.	302-204H	GRADER BLD MTG PULL TYPE		
2.	802-216C	HHCS 3/8-16X2 3/4 GR5		
3.	803-014C	NUT HEX 3/8-16 PLT		
4.	804-060C	WASHER INT-EXT 3/8 PLT		



Part Number Index

The Part Number Index is a numeric index of all part numbers included in this manual. The index shows what page(s) the part is used on.

Part Number	Page	Part Number	Page
300-213H	7	818-229C	9
300-246H	7	818-230C	9
300-246H81	7	818-298C	9
300-246H82	7	818-335C	9
300-247H	7	818-487C	9
300-247H81	7	818-798C	9
300-247H82	7	818-898C	9
300-265H	7	818-901C	9
300-265H81	7	820-037C	7
300-265H82	7	821-011C	11
300-504D	7	821-011CGL	11
301-240D	7	821-011CQT	11
301-303D	7	821-011CTU	11
301-478D	7	821-054C	11
302-017H	13	821-054CGL	11
302-076D	15	821-054CQT	11
302-095H	15	821-054CTU	11
302-096H	15	821-058C	11
302-097H	13	821-058CGL	11
302-098H	13	821-058CQT	11
302-099H	13	821-058CTU	11
302-100H	13	821-066C	11
302-130D	7	821-066CGL	11
302-145H	13	821-066CQT	11
302-202H	15	821-066CTU	11
302-204H	21	821-067C	11
302-299H	7	821-067CGL	11
302-300H	7	821-067CQT	11
308-400D	7	821-067CTU	11
53-164	19	821-070C	11
53-167	17	821-070CGL	11
53-181	17	821-070CQT	11
53-189	19	821-070CTU	11
800-001C	15	822-089C	17
800-080C	7	827-001C	15
802-022C	7	827-002C	15
802-039C	13	838-517C	9
802-066C	7	838-614C	9
802-072C	15	838-615C	9
802-080C	13	838-965C	9
802-086C	13	848-159C	9
802-216C	15, 21	848-879C	9
802-262C	15	848-880C	9
802-569C	7	890-173C	17
802-897C	7	Dwg 35080	7
802-934C	7	dwg13625	17
803-014C	15, 21	dwg19042	19
803-020C	13	dwg33892	15
803-025C	15	dwg33893	21
803-026C	13	dwg33894	13
803-067C	13	dwg35081	9
803-094C	15		
803-209C	7		
803-299C	7		
804-014C	13		
804-015C	13		
804-041C	13		
804-060C	15, 21		
805-001C	13		
805-015C	7		
805-021C	7		
805-032C	13		
805-065C	15		
805-212C	7		
805-213C	7		
805-433C	7		
814-041C	15, 17		
814-053C	15, 19		
817-048C	15		
818-202C	9		

This Page Intentionally Left Blank



Great Plains Manufacturing, Inc.

Corporate Office: P.O. Box 5060
Salina, Kansas 67402-5060 USA

www.landpride.com
