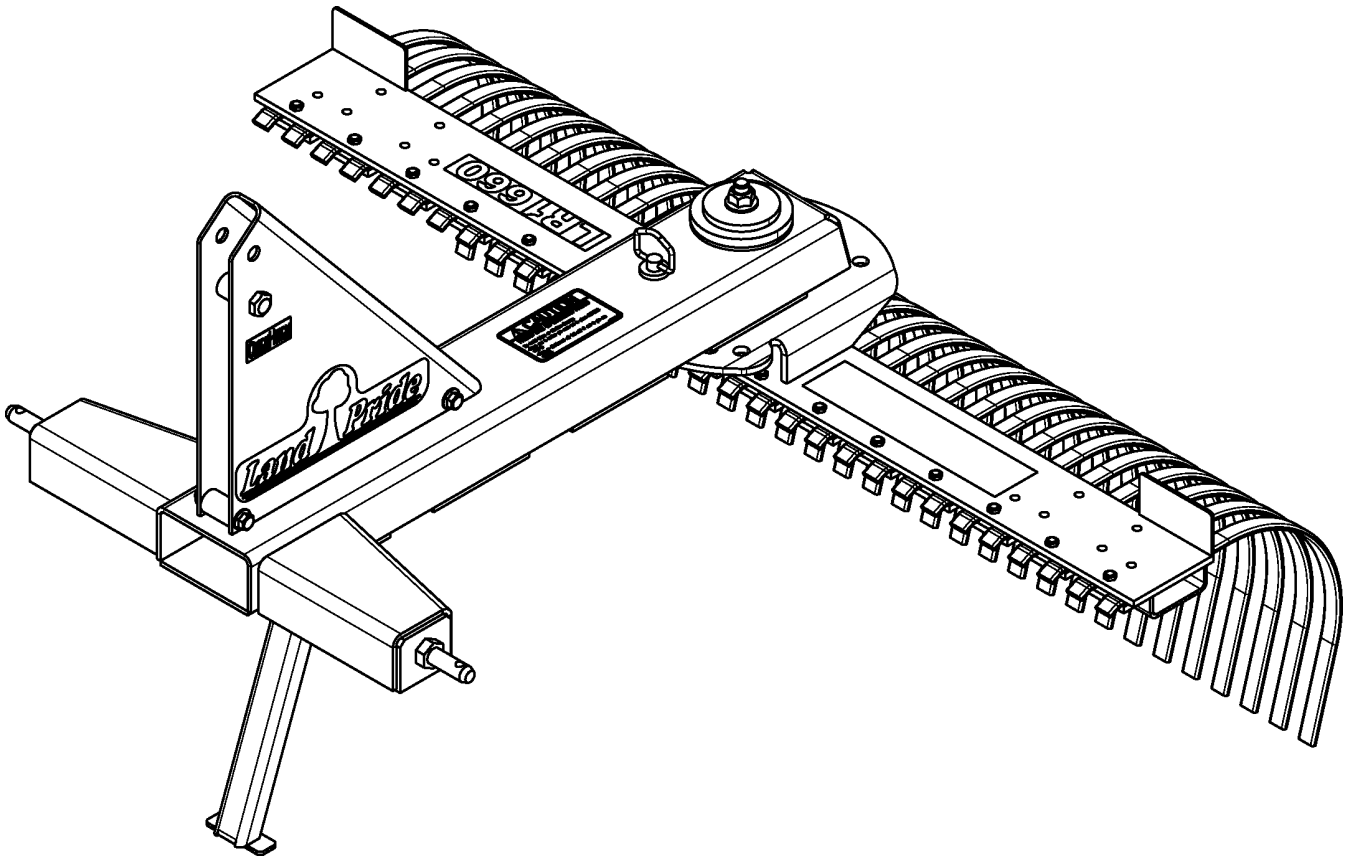


Landscape Rakes

LR1660, LR1672, LR1684, LR1696, LR2684 & LR2696



33850

302-305P Parts Manual



Read the Operator's Manual entirely. When you see this symbol, the subsequent instructions and warnings are serious - follow without exception. Your life and the lives of others depend on it!

© Copyright 2018 Printed 07/10/18

Cover photo may show optional equipment not supplied with standard unit.





Table of Contents

Section 1: Introduction.....4
Using This Manual.....4
Manual Replacement Information.....4
Manual Revisions.....4
Touch-up Paint.....4
Hardware Legend.....5
Replacement Hardware.....5
Serial Numbers.....5
Part Number Service Coding.....5

LR16 SERIES

Section 2: Frame and Rake.....6
Frame and Rake S/N 985649-.....6
Frame and Rake S/N 985650+.....8
Section 3: Decals.....10
Decal Placement.....10
Land Pride Touch-up Paints.....12
Section 4: Options & Accessories.....14
Flip Down Grader Blade.....14
Gauge Wheel Dual.....16
Gauge Wheel Tire (814-041C) 4" Wide.....18
Gauge Wheel Tire (814-053C).....20
Grader Blade Mounting Arms.....22
Hydraulic Angle Option S/N 985649-.....24
Hydraulic Angle Option S/N 985650+.....26
Hydraulic Cylinder (810-746C).....28

LR26 SERIES

Section 2: Frame and Rake.....30
Frame and Rake S/N 985649-.....30
Frame and Rake S/N 985650+.....32
Section 3: Decals.....34
Decal Placement.....34
Land Pride Touch-up Paints.....36
Section 4: Options & Accessories.....38
Flip Down Grader Blade.....38
Gauge Wheel Dual.....40
Gauge Wheel Tire (814-041C) 4" Wide.....42
Gauge Wheel Tire (814-053C).....44
Grader Blade Mounting Arms.....46
Hydraulic Angle Option S/N 985649-.....48
Hydraulic Angle Option S/N 985650+.....50
Hydraulic Cylinder (810-746C).....52

Part Number Index.....54

© Copyright 2018. All rights reserved.

Land Pride provides this publication "as is" without warranty of any kind, either expressed or implied. While every precaution has been taken in the preparation of this manual, Land Pride assumes no responsibility for errors or omissions. Neither is any liability assumed for damages resulting from the use of the information contained herein. Land Pride reserves the right to revise and improve its products as it sees fit. This publication describes the state of this product at the time of its publication, and may not reflect the product in the future. The illustrations in this manual are not intended for safe and proper assembly or disassembly of equipment. The illustrations are intended for ordering parts only.

Land Pride is registered trademark.

All other brands and product names are trademarks or registered trademarks of their respective holders.

Printed in the United States of America.



Alphabetized Table of Contents

LR16 SERIES

D
Decal Placement.....10

F
Flip Down Grader Blade.....14
Frame and Rake S/N 985649-.....6
Frame and Rake S/N 985650+.....8

G
Gauge Wheel Dual.....16
Gauge Wheel Tire (814-041C) 4" Wide.....18
Gauge Wheel Tire (814-053C).....20
Grader Blade Mounting Arms.....22

H
Hydraulic Angle Option S/N 985649-.....24
Hydraulic Angle Option S/N 985650+.....26
Hydraulic Cylinder (810-746C).....28

L
Land Pride Touch-up Paints.....12

LR26 SERIES

D
Decal Placement.....34

F
Flip Down Grader Blade.....38
Frame and Rake S/N 985649-.....30
Frame and Rake S/N 985650+.....32

G
Gauge Wheel Dual.....40
Gauge Wheel Tire (814-041C) 4" Wide.....42
Gauge Wheel Tire (814-053C).....44
Grader Blade Mounting Arms.....46

H
Hydraulic Angle Option S/N 985649-.....48
Hydraulic Angle Option S/N 985650+.....50
Hydraulic Cylinder (810-746C).....52

L
Land Pride Touch-up Paints.....36

General Information

Using This Manual

This manual is divided into sections. The first section contains General Information. The remaining sections divide the machine into segments (i.e. Frames, Drives, Hydraulics, etc.) which illustrate and list all parts. A Parts Number Index is located at the back of the book.

The Land Pride parts in this manual are specially designed for this machine and should be replaced with Land Pride parts only.

The information in this manual is current at time of printing. Some parts may change to assure top performance.

Right-hand and left-hand as used in this manual are determined by facing the direction the machine will travel while in use.

Below is an example of two facing pages from a parts manual. Familiarize yourself with the type of information contained on these pages.

Manual Replacement Information

Replacement manuals are available. Refer to our website at www.landpride.com or e-mail us at lit@landpride.com for additional information. Our website continues to provide the most up-to-date manuals available.

Touch-up Paint

Repaint parts where paint is worn or scratched to prevent rust. Aerosol cans and touch-up bottles with brush applicator are available through your local dealer. Also available are quart and gallon size paints. Add QT or GL to end of the Aerosol P/N.

Land Pride color descriptions and part numbers are listed on the "Land Pride Touch-up Paints" page in the "Decals" section of this book. Color options vary by product.



General Information

Hardware Legend

AR	As Required
BLADE	Blade Bolt
C	Cap Screw
CP	Cotter Pin
CPHSSS	Cup Point Hex Socket Set Screw
CPSHSS	Cup Point Square Head Set Screw
CPSQHSS	Cup Point Square Head Set Screw
CRFCHMS3	Cross Recess Flat Countersunk Head Machine Screw
CRPHMS	Cross Recess Pan Head Machine Screw
CRPHTF	Cross Recess Pan Head Thread Forming
CRRHMS	Cross Recess Round Head Machine Screw
CRTHMS	Cross Recess Truss Head Machine Screw
CSNB	Countersunk Square Neck Bolt
FHMS	Flat Head Machine Screw
FTC	Full Thread Cap Screw
H	Hex Nut
HCLN	Hex Center Lock Nut
HFLCS	Hex Flange Lock Cap Screw
HFS	Hex Flange Screw
HFSLN	Hex Flange Serrated Lock Nut
HFSS	Hex Flange Serrated Screw
HHCS	Hex Head Cap Screw or Metric Bolt
HSBHCS	Hex Socket Button Head Cap Screw
HSFCHCS	Hex Socket Flat Countersunk Head Cap Screw
HSHCS	Hex Socket Head Cap Screw
HSSS	Hex Socket Head Screw
HTLN	Hex Top Lock Nut
HWHCS	Hex Washer Head Cap Screw

HWHMS	Hex Washer Head Machine Screw
HXBHCS	Hex Socket Button Head Cap Screw
J	Hex Jam Nut
JIC	37 Degree Tapered Thread
L	Helical Spring Lock Washer
LUG	Lug Bolt
NFC	National Fine Cap Screw
NPSM	National Pipe Straight Mechanical
NPTF	National Pipe Taper Fuel
P	Wide Plain Washer
PHMS	Pan Head Machine Screw
PLOW	Plow Bolt
RHMS	Round Head Machine Screw
RHSNB	Round Head Square Neck Bolt
SCREW LEVELING	Leveling Screw
SCREW THUMB	Thumb Screw
SCREW WELD	Weld Screw
SFCHMS	Slotted Flat Countersunk Head Machine Screw
SFHMS	Slotted Fillister Head Machine Screw
SP	Special
SP SCREW	Special Screw
SOHSS	Square Head Set Screw
SRHMS	Slotted Round Head Machine Screw
SSS	Socket Set Screw
STCS	Self Tapping Cap Screw
STHMS	Slotted Truss Head Machine Screw
WHEEL	Wheel Studs and Hub Long Bolts
WING	Wing Bolt

Replacement Hardware

The **Hardware Legend** above lists hardware abbreviations used in the parts list. All bolts and nuts are Grade 5 unless otherwise noted. The use of improper grades of hardware can result in personal injury, damage to equipment, or loss of property.

Colored Replacement Parts

Land Pride offers replacement parts in factory standard colors and also on select models in Green, Orange, Red and Blue. Because of the variety of colors available, special attention must be given to the part number to prevent ordering the wrong replacement part.

A suffix number corresponding to one of the colors below must be added at the end of Land Pride's part number when ordering a replacement part with that color.

81 Green 83 Red
82 Orange 84 Blue

For example, if you are ordering a replacement part with part number 555-555C and the part you need is red, then add the suffix 83 to the end of the number to make the part number read 555-555C83. Parts ordered without a suffix number will be supplied in factory standard colors.

Black Replacement Parts

Some parts are factory standard black and some must be special ordered black. If your part is special ordered black, a second part number with the additional suffix number 85 on the end will be available. In this situation you must order that part with the suffix number for it to be black. Parts that are factory standard black will not have the suffix number.

Part Number Service Coding

Within the parts list some part numbers are coded for revisions and interchangeability. See notations in revision column.

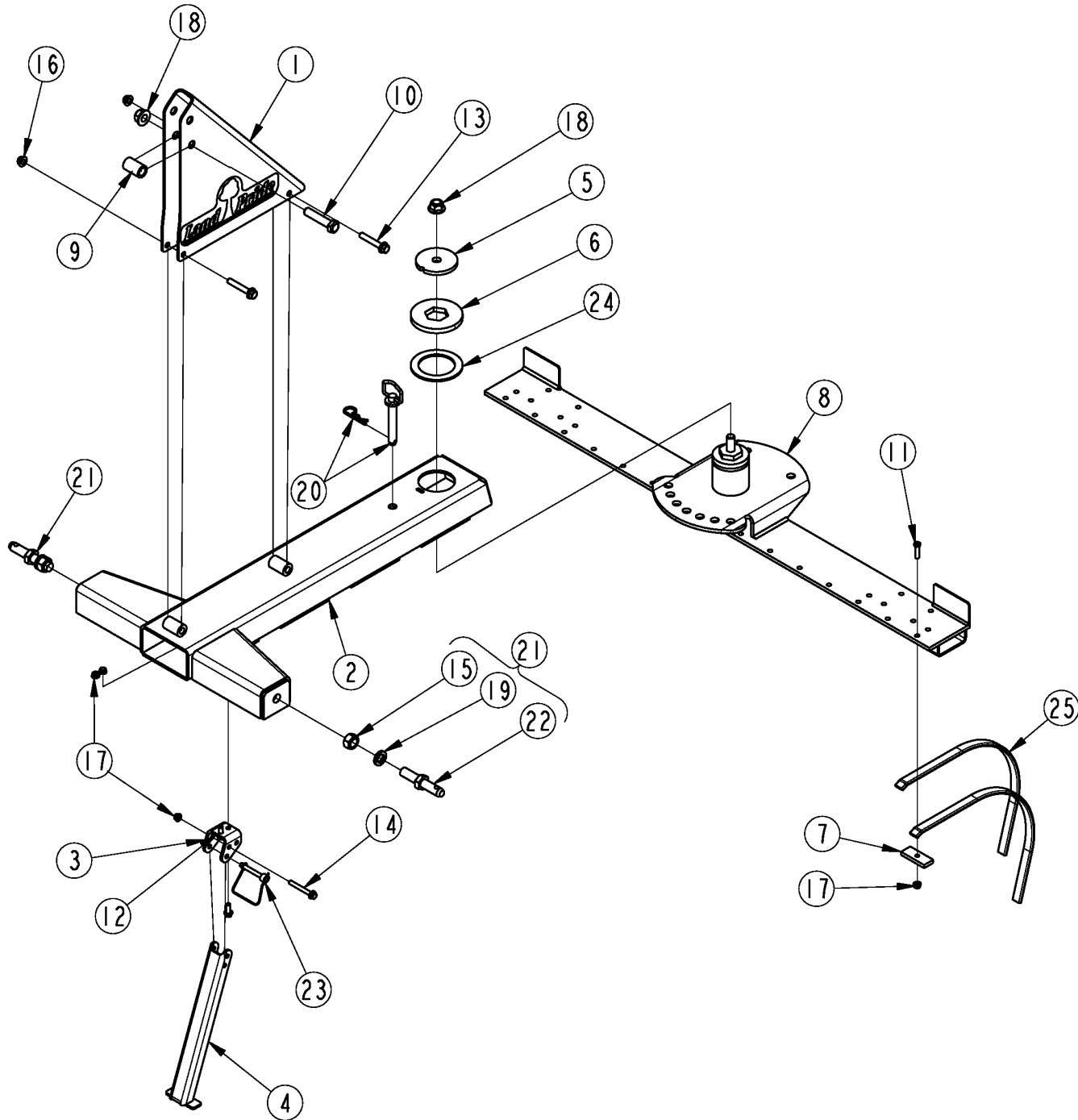
Serial Numbers

Always use the serial and model number when ordering parts. Refer to the Operator's Manual for serial number plate location.

- (S/N 20001+) Includes serial numbers 20001 and above (to the latest number)
- (S/N 10001 to 20000) Includes serial numbers between and including 10001 and 20000
- (S/N 10000-) Includes serial numbers 10000 and below (to the earliest number)

Frame and Rake S/N 985649-

Applies to LR1660, LR1672, LR1684, LR1696



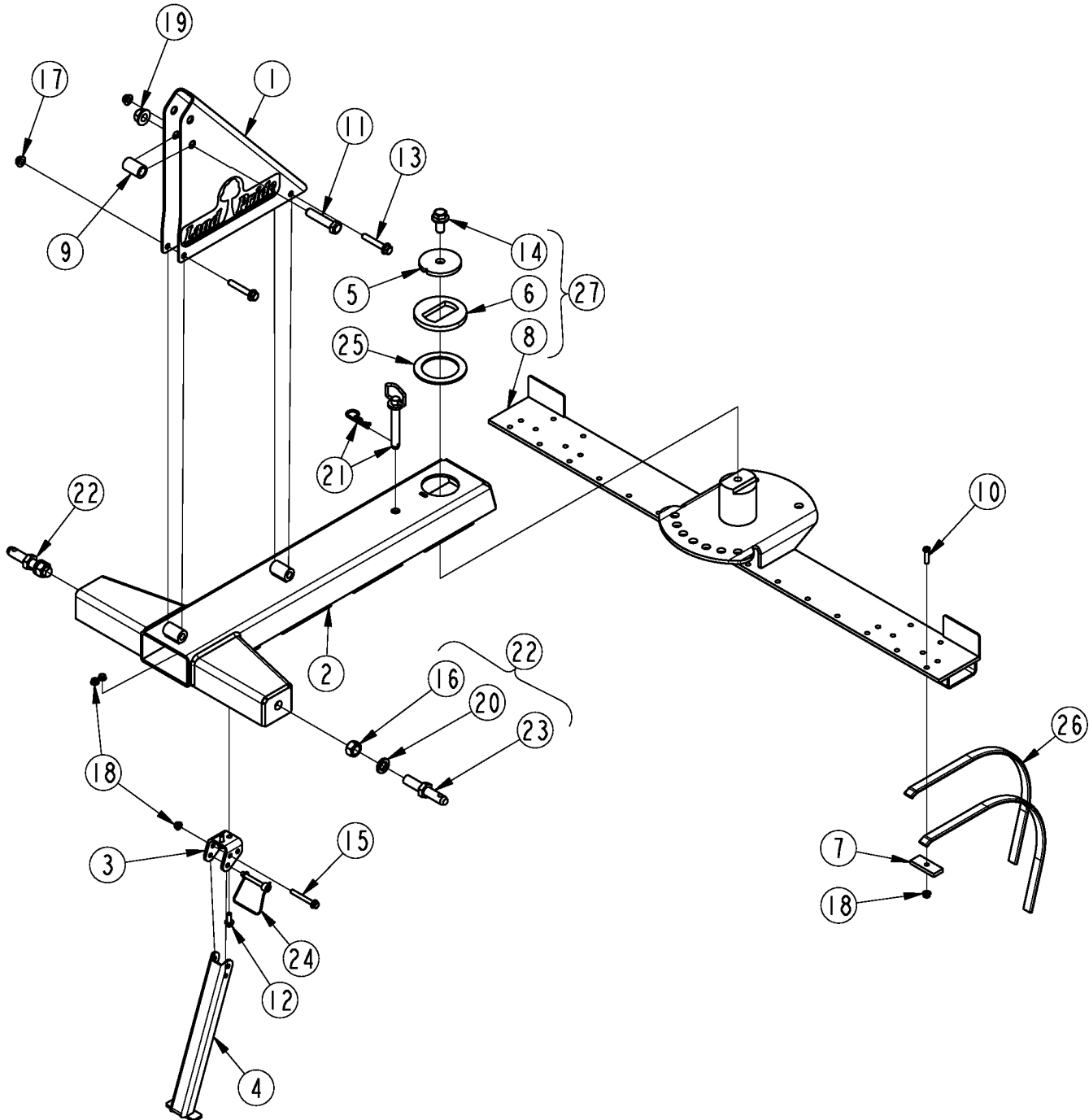
33851

Frame and Rake S/N 985649-**Applies to LR1660, LR1672, LR1684, LR1696**

Ref	Part No.	Part Description	Comments	Revision
	Dwg 33851	Drawing Image Number		
1.	300-124S	ASSY, UPPER HITCH BUCK		
1.	300-124S81	ASSY, UPPER HITCH GREEN		
1.	300-124S82	ASSY, UPPER HITCH ORANGE		
2.	300-242H	WLDMNT, RB16 SERIES FRAME		
2.	300-242H81	WLDMNT, RB16 FRAME GREEN		
2.	300-242H82	WLDMNT, RB16 FRAME ORANGE		
3.	300-487D	MOUNT, RB16/26/36 SUPPORT STND		
4.	300-488D	STAND, RB16 SUPPORT		
5.	301-240D	40 PIVOT CAP	S/N 911765+	
5.	301-303D	RETAINER CAP	S/N 911764-	
6.	301-466D	PLATE, HEX DRIVE PIVOT CAP		
7.	302-130D	RAKE TINE CLIP		
8.	302-272H	RPBY 302-320S		
8.	302-274H	RPBY 302-321S		
8.	302-275H	RPBY 302-322S		
8.	302-276H	RPBY 302-323S		
9.	308-400D	SPACER 1 1/4OD X 13/16ID X 2LG		
10.	802-066C	HHCS 3/4-10X3 1/2 GR5		
11.	802-022C	HHCS 3/8-16X1 1/2 GR5	S/N 792755+	
11.	802-569C	HFSS 3/8-16X1 1/2 GR5	S/N 792754-	
12.	802-643C	HFSS 3/8-16 X 1 GR5		
13.	802-656C	HFS 1/2-13 X 3 GR5 PLT		
14.	802-934C	HFS 3/8-16X3 GR5 ZNYCR		
15.	803-149C	NUT HEX 7/8-14 PLT		
16.	803-169C	NUT HEX FLG LOCK 1/2-13 PLT		
17.	803-209C	NUT FLANGE LOCK 3/8-16 PLT		
18.	803-299C	NUT HEX FLG TOP LK 3/4-10 PLT		
19.	804-037C	WASHER LOCK SPRING 7/8 PLT		
20.	805-081C	PIN HITCH 3/4 X 4 3/8		
21.	805-111C	PIN DRAW 7/8 X 5		
22.	N/A	PIN DRAW 7/8 X 5		
23.	805-212C	PIN WIRE SNAP LOCK 3/8 X 2 1/2		
24.	817-927C	BUSHING, CARRIER TUBE CAP		
25.	820-037C	RAKE TOOTH 1	60" 30 Total, 72" 36 Total, 84" 42 Total & 96" 48 Total	

Frame and Rake S/N 985650+

Applies to LR1660, LR1672, LR1684, LR1696



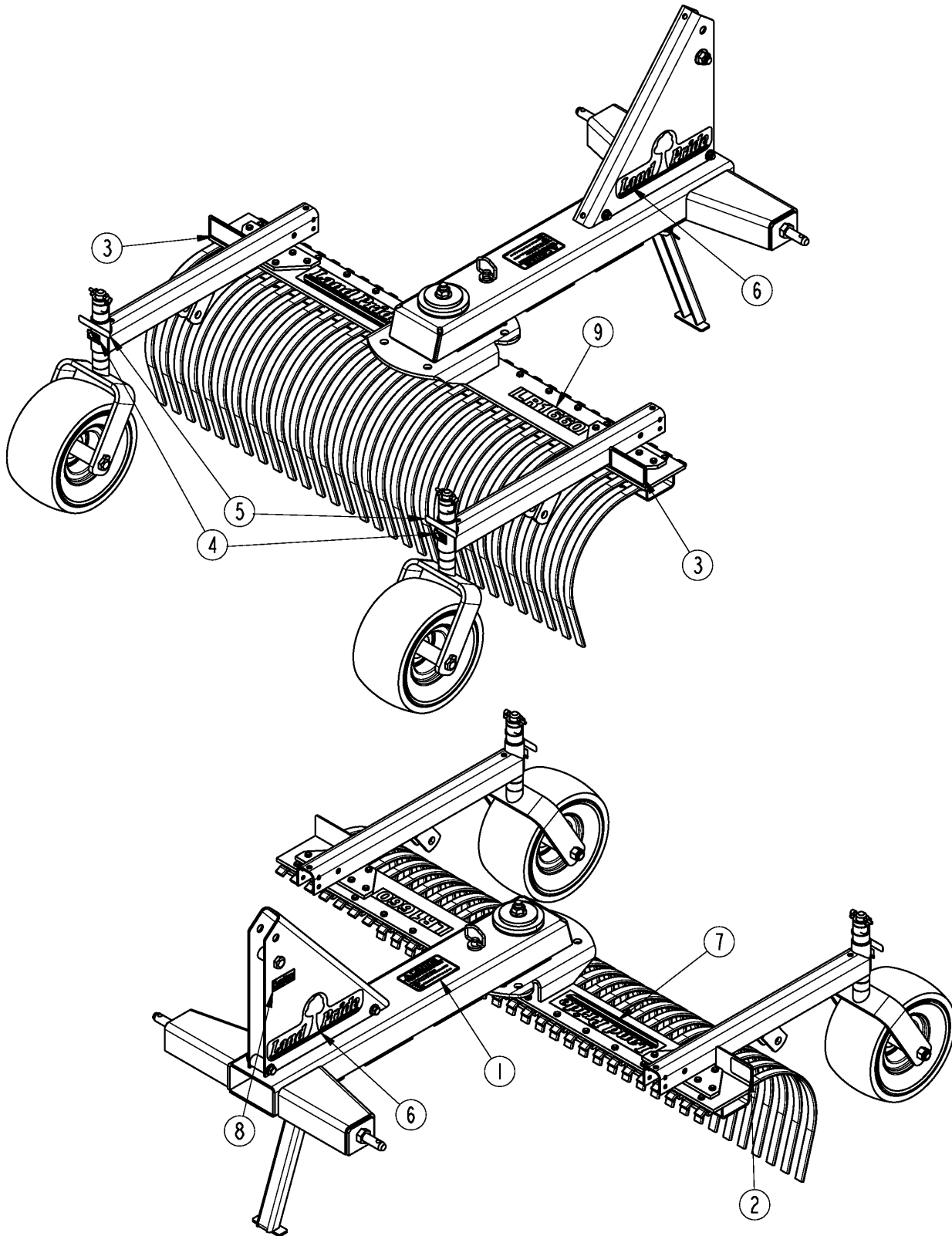
39380

Frame and Rake S/N 985650+**Applies to LR1660, LR1672, LR1684, LR1696**

Ref	Part No.	Part Description	Comments	Revision
	Dwg 39380	Drawing Image Number		
1.	300-124S	ASSY, UPPER HITCH BUCK		
1.	300-124S81	ASSY, UPPER HITCH GREEN		
1.	300-124S82	ASSY, UPPER HITCH ORANGE		
2.	300-242H	WLDMNT, RB16 SERIES FRAME		
2.	300-242H81	WLDMNT, RB16 FRAME GREEN		
2.	300-242H82	WLDMNT, RB16 FRAME ORANGE		
3.	300-487D	MOUNT, RB16/26/36 SUPPORT STND		
4.	300-488D	STAND, RB16 SUPPORT		
5.	301-240D	40 PIVOT CAP		
6.	301-637D	DRIVE PIVOT CAP		
7.	302-130D	RAKE TINE CLIP		
8.	302-316H	LR1660 RAKE MOUNT		
8.	302-317H	LR1672 RAKE MOUNT		
8.	302-318H	LR1684 RAKE MOUNT		
8.	302-319H	LR1696 RAKE MOUNT		
9.	308-400D	SPACER 1 1/4OD X 13/16ID X 2LG		
10.	802-022C	HHCS 3/8-16X1 1/2 GR5		
11.	802-066C	HHCS 3/4-10X3 1/2 GR5		
12.	802-643C	HFSS 3/8-16 X 1 GR5		
13.	802-656C	HFS 1/2-13 X 3 GR5 PLT		
14.	802-897C	HFS 3/4-10X1 1/2 GR 5 PLT		
15.	802-934C	HFS 3/8-16X3 GR5 ZNYCR		
16.	803-149C	NUT HEX 7/8-14 PLT		
17.	803-169C	NUT HEX FLG LOCK 1/2-13 PLT		
18.	803-209C	NUT FLANGE LOCK 3/8-16 PLT		
19.	803-299C	NUT HEX FLG TOP LK 3/4-10 PLT		
20.	804-037C	WASHER LOCK SPRING 7/8 PLT		
21.	805-081C	PIN HITCH 3/4 X 4 3/8		
22.	805-111C	PIN DRAW 7/8 X 5		
23.	N/A	PIN DRAW 7/8 X 5		
24.	805-212C	PIN WIRE SNAP LOCK 3/8 X 2 1/2		
25.	817-927C	BUSHING, CARRIER TUBE CAP		
26.	820-037C	RAKE TOOTH 1	60" 30 Total, 72" 36 Total, 84" 42 Total & 96" 48 Total	
27.	302-320S	LR1660 RAKE MOUNT ASY		
27.	302-321S	LR1672 RAKE MOUNT ASY		
27.	302-322S	LR1684 RAKE MOUNT ASY		
27.	302-323S	LR1696 RAKE MOUNT ASY		

Decal Placement

Applies to LR1660, LR1672, LR1684, LR1696



33852

Decal Placement**Applies to LR1660, LR1672, LR1684, LR1696**

Ref	Part No.	Part Description	Comments	Revision
	dwg33852	Drawing Image Number		
1.	818-202C	DECAL CAUTION FALL MBOARD/RAKE		
2.	838-615C	DECAL REFLECTOR AMBER 2X9	S/N 821694+ LR1684 & LR1696	
2.	818-229C	DECAL AMBER REFLECTOR	S/N 821693- LR1696	
3.	838-614C	DECAL REFLECTOR RED 2X9	S/N 821694+ LR1684 & LR1696	
3.	858-095C	DECAL REFLECTOR RED 2X4.5	S/N 821694+ LR1660 & LR1672	
3.	818-230C	DECAL RED REFLECTOR	S/N 821693- LR1696	
4.	818-298C	DECAL GREASE 25HRS BLACK/WHITE		
5.	818-335C	DECAL RED NARROW REFLECTOR		
6.	818-891C	RPBY 838-962C	Beige Unit	
6.	838-962C	DECAL LP 13" W/TREE BROWN/GOLD	Green & Orange Unit	
7.	848-161C	DECAL LANDPRIDE 13.25 BRWN/GLD	S/N 822206+	
7.	818-900C	RPBY 848-161C	S/N 822205-	
8.	838-517C	DECAL QUICK HITCH SYSTEM		
9.	848-873C	DECAL, LR1660 GOLD		
9.	848-874C	DECAL, LR1672 GOLD		
9.	848-875C	DECAL, LR1684 GOLD		
9.	848-876C	DECAL, LR1696 GOLD		

Land Pride Touch-up Paints

Applies to LR1660, LR1672, LR1684, LR1696

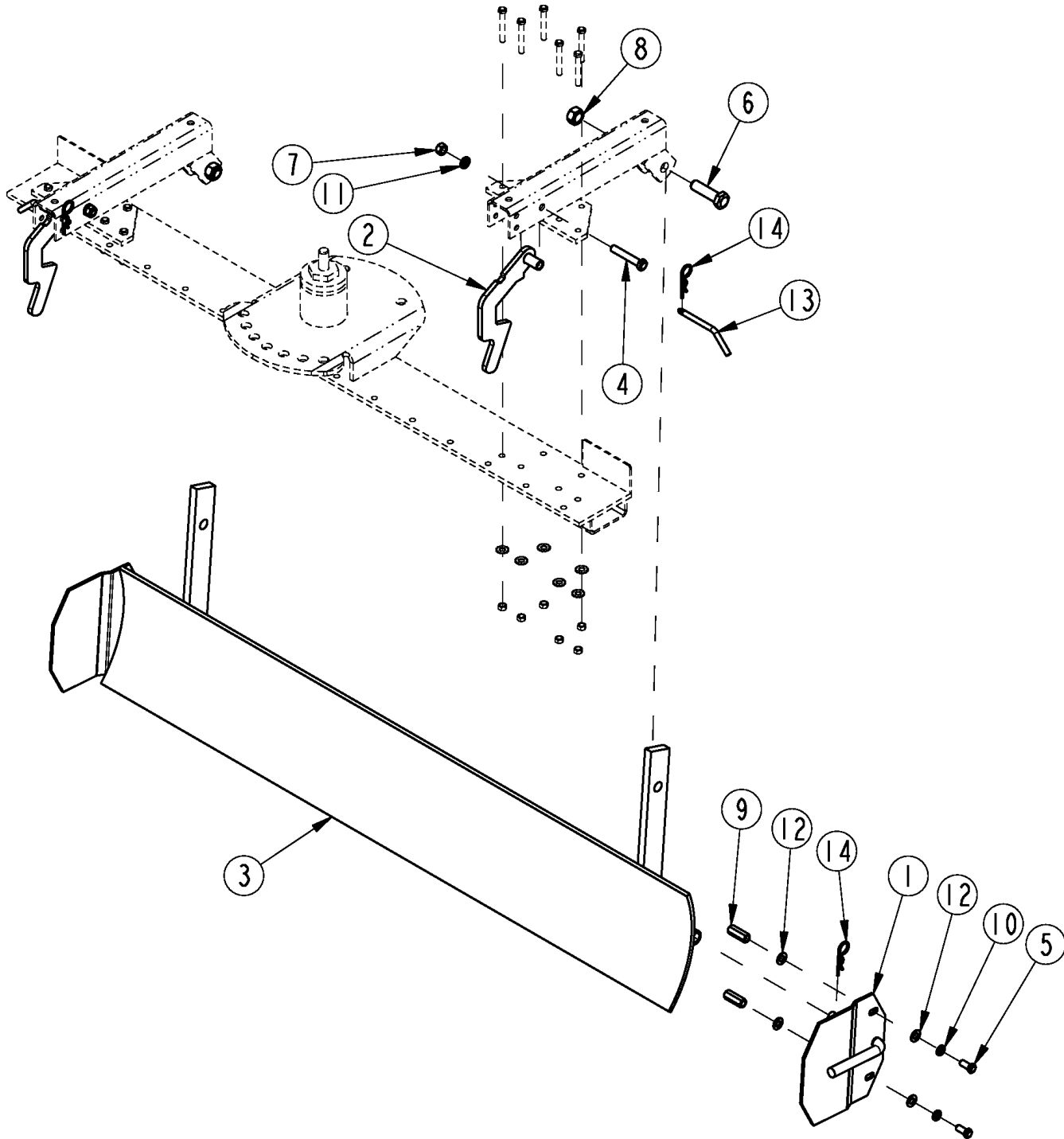
No diagram associated with this Parts List

Land Pride Touch-up Paints**Applies to LR1660, LR1672, LR1684, LR1696**

Ref	Part No.	Part Description	Comments	Revision
1.	821-011C	LP BEIGE SPRAY CAN	Spray can	
1.	821-070C	GLOSS BLACK SPRAY CAN	Spray can	
1.	821-054C	MED. RED SPRAY TRCK/CTR	Spray can	
1.	821-058C	GREEN SPRAY CUTTERS	Spray can	
1.	821-066C	ORANGE SPRAY CAN	Spray can	
1.	821-067C	BLUE SPRAY CAN	Spray can	
1.	821-080C	PAINT ALUMINUM/ZINC SPRAY CAN	Spray can	
2.	821-011CTU	LP BEIGE TOUCH-UP 5OZ	Touch-up bottle with brush	
2.	821-070CTU	GLOSS BLACK TOUCH-UP 5OZ	Touch-up bottle with brush	
2.	821-054CTU	MED RED TOUCH-UP 5OZ	Touch-up bottle with brush	
2.	821-058CTU	GREEN TOUCH-UP 5OZ	Touch-up bottle with brush	
2.	821-066CTU	ORANGE TOUCH-UP 5OZ	Touch-up bottle with brush	
2.	821-067CTU	BLUE TOUCH-UP 5OZ	Touch-up bottle with brush	
2.	821-080CTU	PAINT ALUMINUM/ZINC TOUCH UP	Touch-up bottle with brush	
3.	821-011CQT	LP BEIGE QUART	Quart can	
3.	821-070CQT	GLOSS BLACK QUART	Quart can	
3.	821-054CQT	MED RED QUART	Quart can	
3.	821-058CQT	GREEN QUART	Quart can	
3.	821-066CQT	ORANGE QUART	Quart can	
3.	821-067CQT	BLUE QUART	Quart can	
3.	821-080CQT	PAINT ALUMINUM/ZINC QUART	Quart can	
4.	821-011CGL	LP BEIGE GALLON	Gallon can	
4.	821-070CGL	GLOSS BLACK GALLON	Gallon can	
4.	821-054CGL	MED RED GALLON	Gallon can	
4.	821-058CGL	GREEN GALLON	Gallon can	
4.	821-066CGL	ORANGE GALLON	Gallon can	
4.	821-067CGL	BLUE GALLON	Gallon can	
4.	821-080CGL	PAINT ALUMINUM/ZINC GALLON	Gallon can	

Flip Down Grader Blade

Applies to LR1660, LR1672, LR1684, LR1696



33894

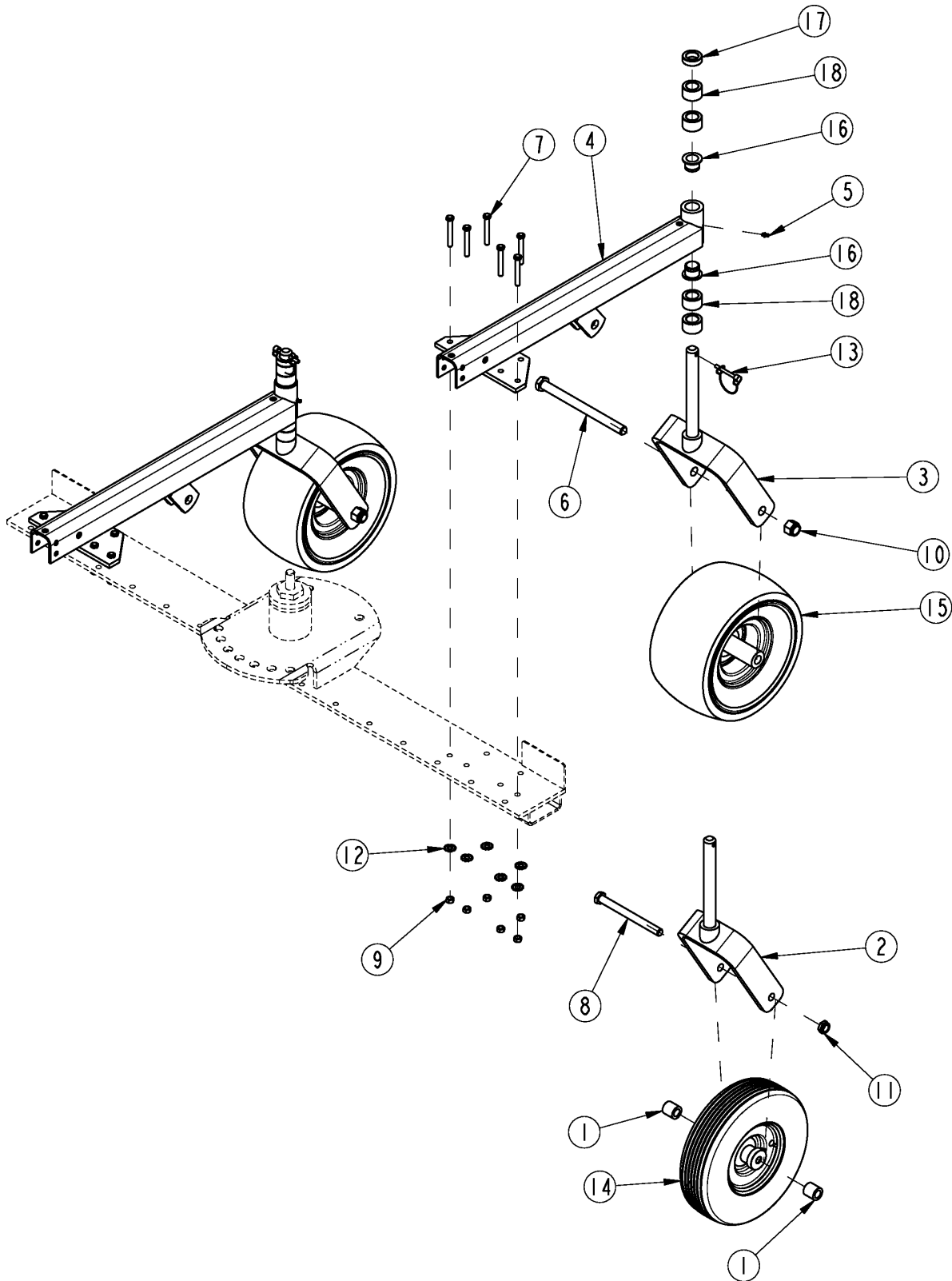
Flip Down Grader Blade

Applies to LR1660, LR1672, LR1684, LR1696

Ref	Part No.	Part Description	Comments	Revision
	dwg33894	Drawing Image Number		
1.	302-017H	SIDE PLATE WELDMENT		
2.	302-097H	BLADE LOCK HANDLE WELDMENT		
3.	302-145H	5' GRADER BLADE WELDMENT		
3.	302-098H	6' GRADER BLADE WELDMENT		
3.	302-099H	7' GRADER BLADE WELDMENT		
3.	302-100H	8' GRADER BLADE WELDMENT		
4.	802-039C	HHCS 1/2-13X3 GR5		
5.	802-080C	HHCS 7/16-14X1 GR5		
6.	802-086C	HHCS 3/4-10X2 3/4 GR5		
7.	803-020C	NUT HEX 1/2-13 PLT		
8.	803-026C	NUT LOCK 3/4-10 PLT		
9.	803-067C	NUT HEX CPLR 7/16-14X1 3/4 PLT		
10.	804-014C	WASHER LOCK 7/16 PLT		
11.	804-015C	WASHER LOCK SPRING 1/2 PLT		
12.	804-041C	WASHER FLAT 7/16 SAE PLT		
13.	805-001C	PIN 3/8 X 3 USABLE LW/PIN		
14.	805-032C	PIN HAIR COTTER .148 WIRE		

Gauge Wheel Dual

Applies to LR1660, LR1672, LR1684, LR1696



33892

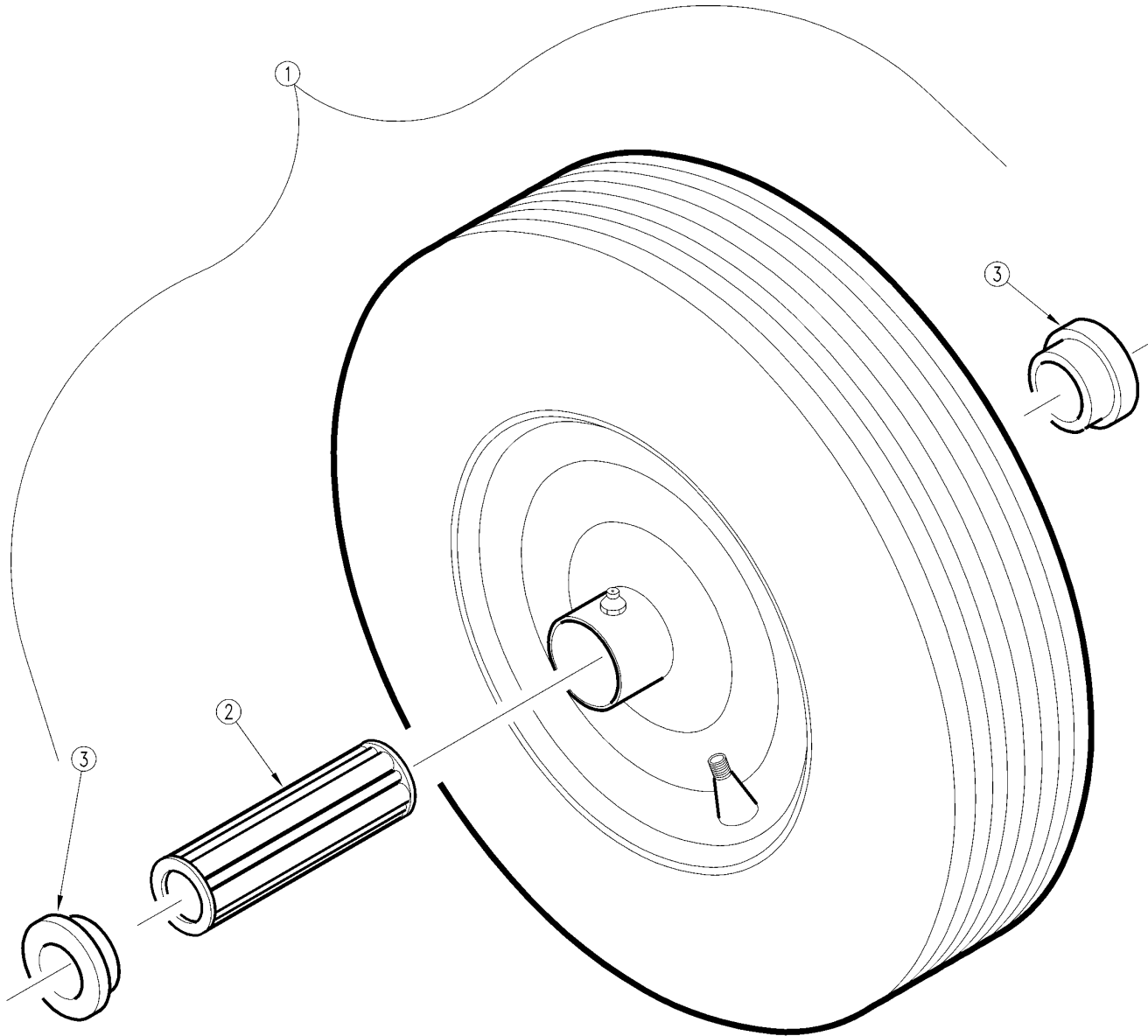
Gauge Wheel Dual

Applies to LR1660, LR1672, LR1684, LR1696

Ref	Part No.	Part Description	Comments	Revision
	dwg33892	Drawing Image Number		
1.	302-076D	WHEEL SPACER		
2.	302-095H	NARROW GW YOKE WELDMENT		
3.	302-096H	WIDE GW YOKE WELDMENT		
4.	302-202H	RAKE DUAL G.W. WELDMENT		
5.	800-001C	GREASE ZERK STRAIGHT 1/4-28		
6.	802-072C	HHCS 3/4-10X9 1/2 GR5		
7.	802-216C	HHCS 3/8-16X2 3/4 GR5		
8.	802-262C	HHCS 5/8-11X7 GR5		
9.	803-014C	NUT HEX 3/8-16 PLT		
10.	803-025C	NUT HEX 3/4-10 PLT NYLOCK		
11.	803-094C	NUT 5/8-11 NYLON COLLAR THIN		
12.	804-060C	WASHER INT-EXT 3/8 PLT		
13.	805-065C	PIN WIRE RETAINING 1/4 X 1 3/4		
14.	814-041C	WHEEL & TIRE PNEU 4.10 X 6		
15.	814-053C	TIRE & WHL 13/6.50X6 W/3/4 BOR		
16.	817-048C	SPINDLE BUSHING		
17.	827-001C	SPACER 1/2		
18.	827-002C	SPACER 1		

Gauge Wheel Tire (814-041C) 4" Wide

Applies to LR1660, LR1672, LR1684, LR1696



13625

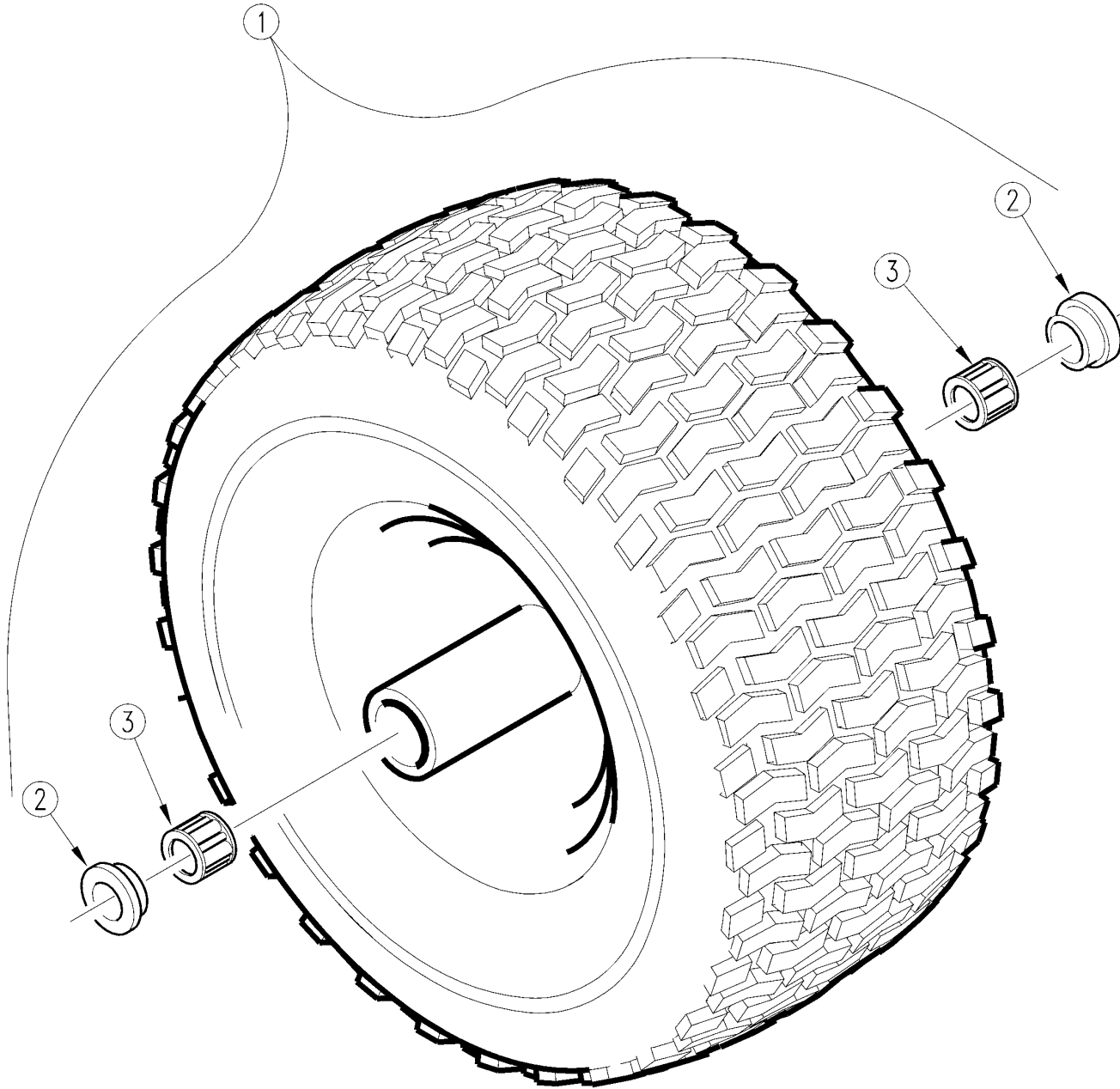
Gauge Wheel Tire (814-041C) 4" Wide

Applies to LR1660, LR1672, LR1684, LR1696

Ref	Part No.	Part Description	Comments	Revision
	dwg13625	Drawing Image Number		
1.	814-041C	WHEEL & TIRE PNEU 4.10 X 6		
2.	822-089C	BEARING 5/8X1 3/8X1 GLEASON587	two required	
2.	53-181	TILDEN BRG 5/8IDX1 3/8ODX2 1/2	one required	
3.	890-173C	END CAP GLEASON 4206		
3.	53-167	TILDEN RTNR 5/8IDX1 3/8ODX1/4L		

Gauge Wheel Tire (814-053C)

Applies to LR1660, LR1672, LR1684, LR1696



19042

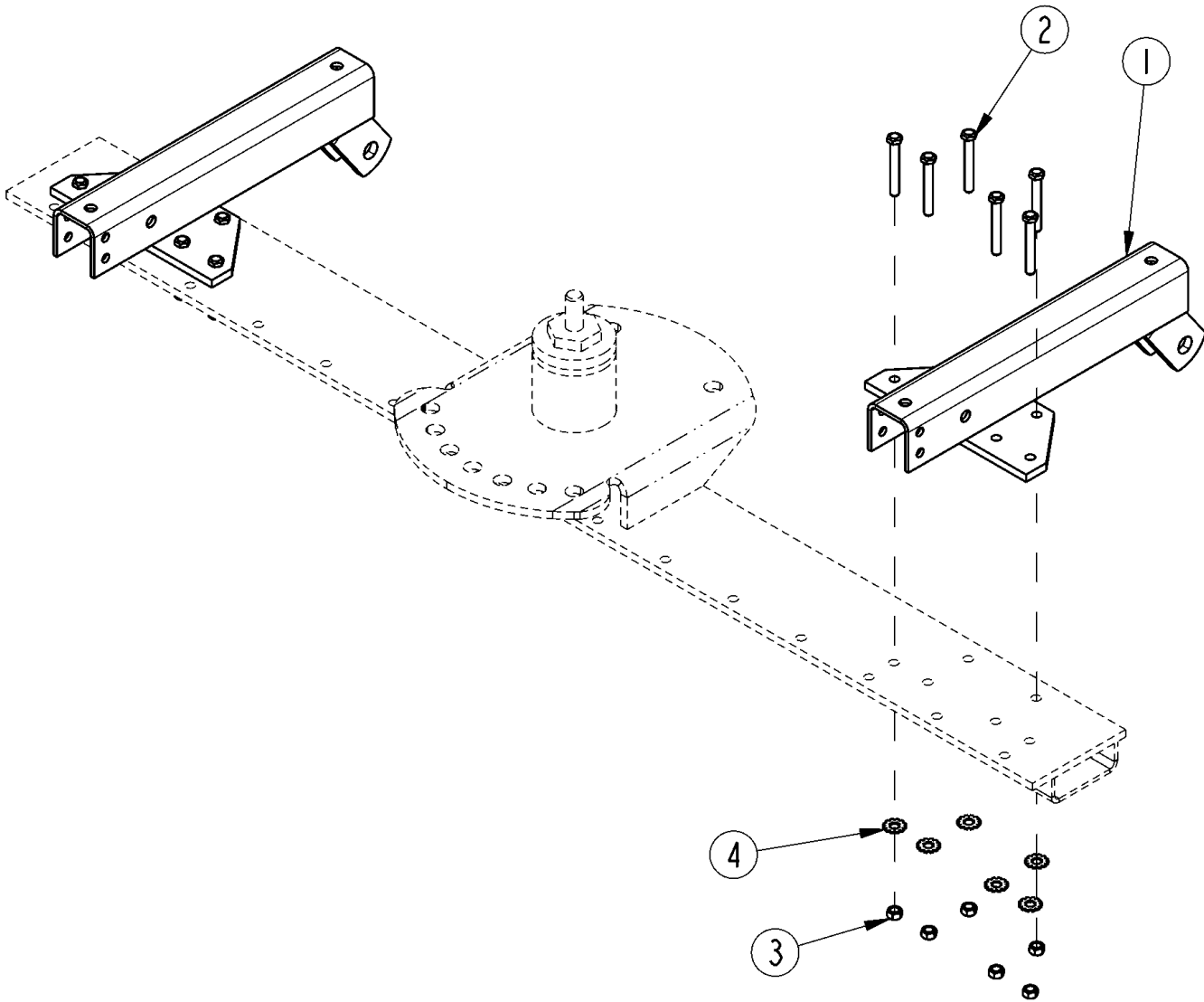
Gauge Wheel Tire (814-053C)

Applies to LR1660, LR1672, LR1684, LR1696

Ref	Part No.	Part Description	Comments	Revision
	dwg19042	Drawing Image Number		
1.	814-053C	TIRE & WHL 13/6.50X6 W/3/4 BOR		
2.	53-164	TILDEN RTNR 3/4IDX1 3/8ODX1/4L		
3.	53-189	TILDEN BRG 3/4ID1.34ODX15/16L		

Grader Blade Mounting Arms

Applies to LR1660, LR1672, LR1684, LR1696



33893

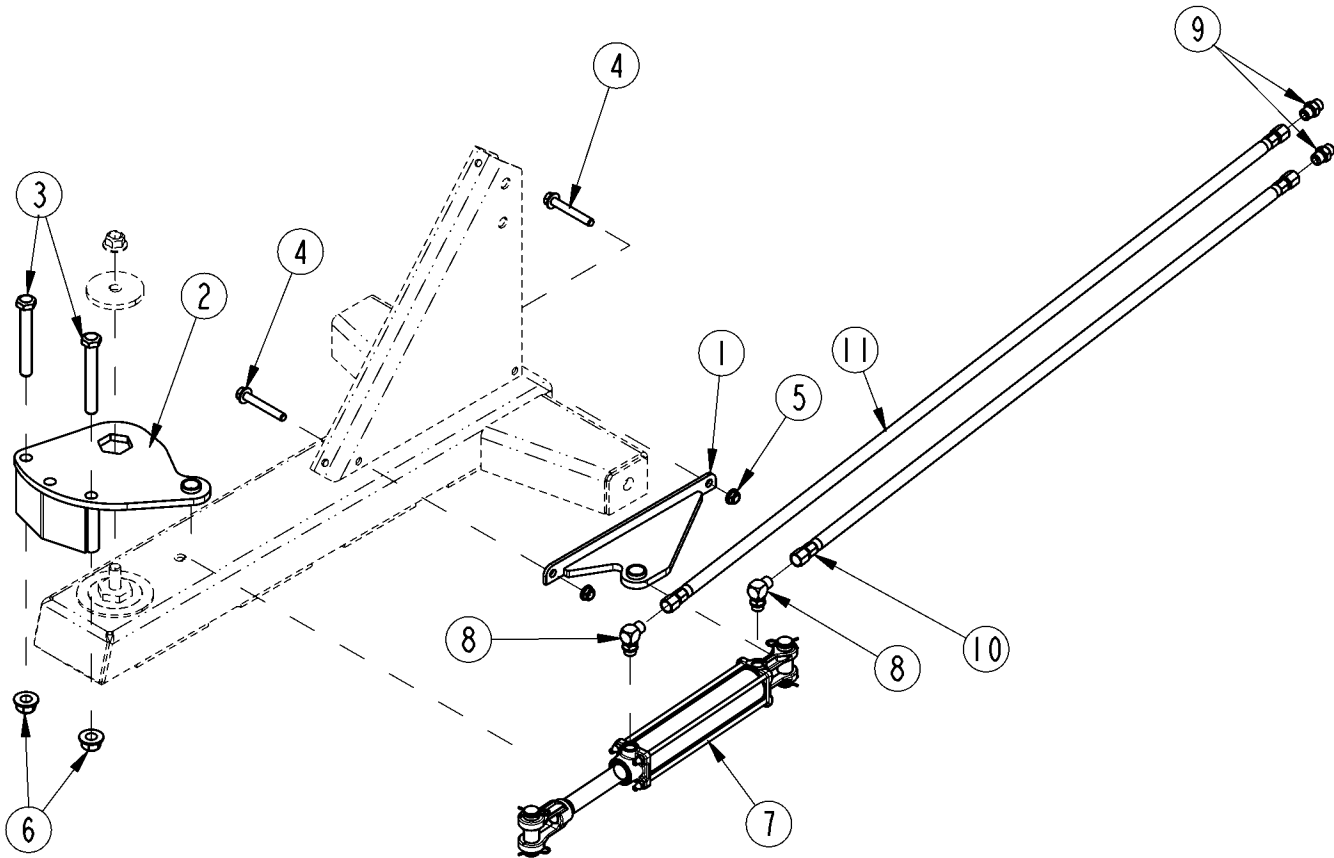
Grader Blade Mounting Arms

Applies to LR1660, LR1672, LR1684, LR1696

Ref	Part No.	Part Description	Comments	Revision
	dwg33893	Drawing Image Number		
1.	302-204H	GRADER BLD MTG PULL TYPE		
2.	802-216C	HHCS 3/8-16X2 3/4 GR5		
3.	803-014C	NUT HEX 3/8-16 PLT		
4.	804-060C	WASHER INT-EXT 3/8 PLT		

Hydraulic Angle Option S/N 985649-

Applies to LR1660, LR1672, LR1684, LR1696



33402

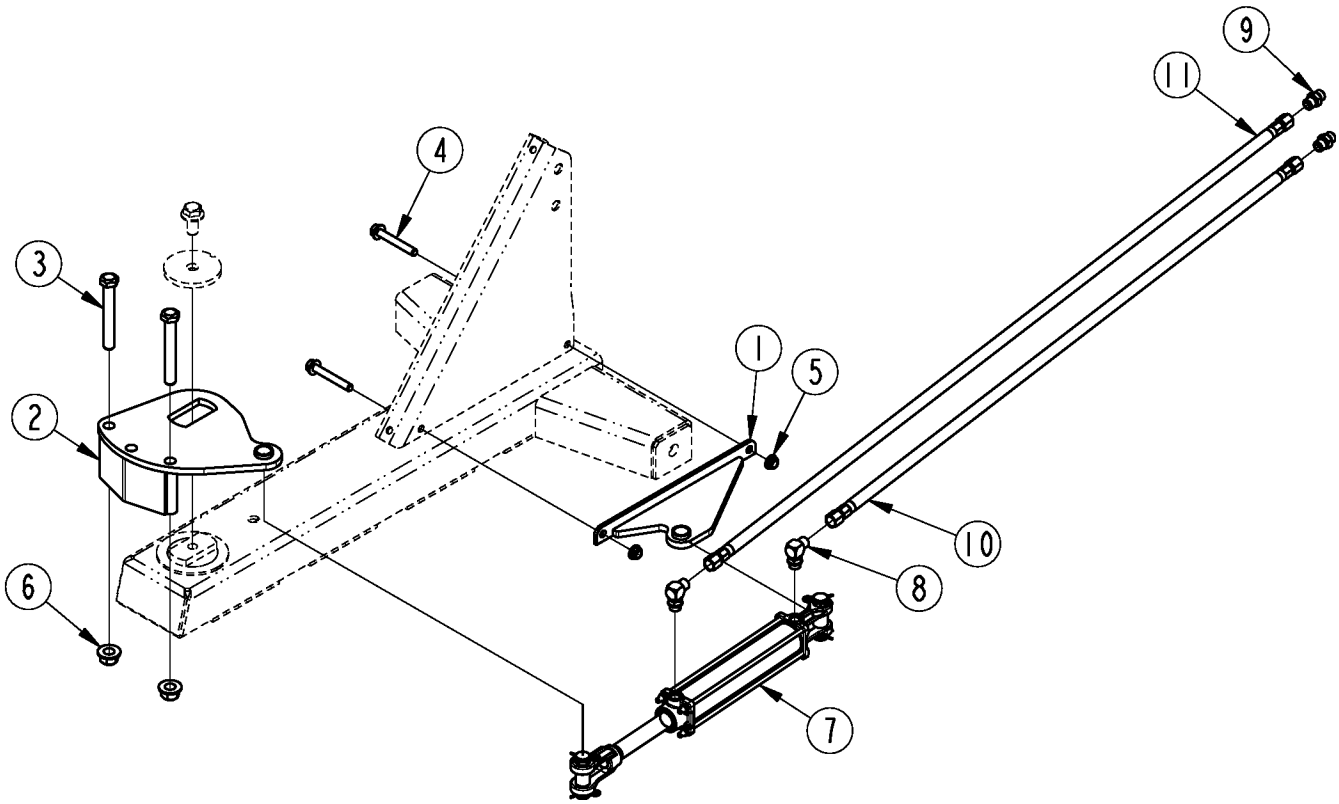
Hydraulic Angle Option S/N 985649-

Applies to LR1660, LR1672, LR1684, LR1696

Ref	Part No.	Part Description	Comments	Revision
	dwg33402	Drawing Image Number		
	301-425A	KIT, RB/LR16 HYDRAULIC ANGLE *	S/N 756707- May Require Grinding	
1.	301-402H	WLDMNT, RB16 FRNT CYL MOUNT		
2.	301-424H	WLDMNT. RB16/26 HYD ANG PLATE		
3.	802-594C	HHCS 3/4-10X5 1/2 GR5		
4.	802-658C	HFS 1/2-13 X 3 1/2 GR5 PLT		
5.	803-169C	NUT HEX FLG LOCK 1/2-13 PLT		
6.	803-299C	NUT HEX FLG TOP LK 3/4-10 PLT		
7.	810-746C	CYL 2X10X1.12 ROD (TIE)		
8.	811-063C	EL 3/4MJIC 3/4MORB		
9.	811-088C	AD 3/4MORB 3/4MJIC		
10.	841-590C	HH3/8R2 054 3/4FJIC E-Z FLEX		
11.	841-591C	HH3/8R2 067 3/4FJIC E-Z FLEX		

Hydraulic Angle Option S/N 985650+

Applies to LR1660, LR1672, LR1684, LR1696



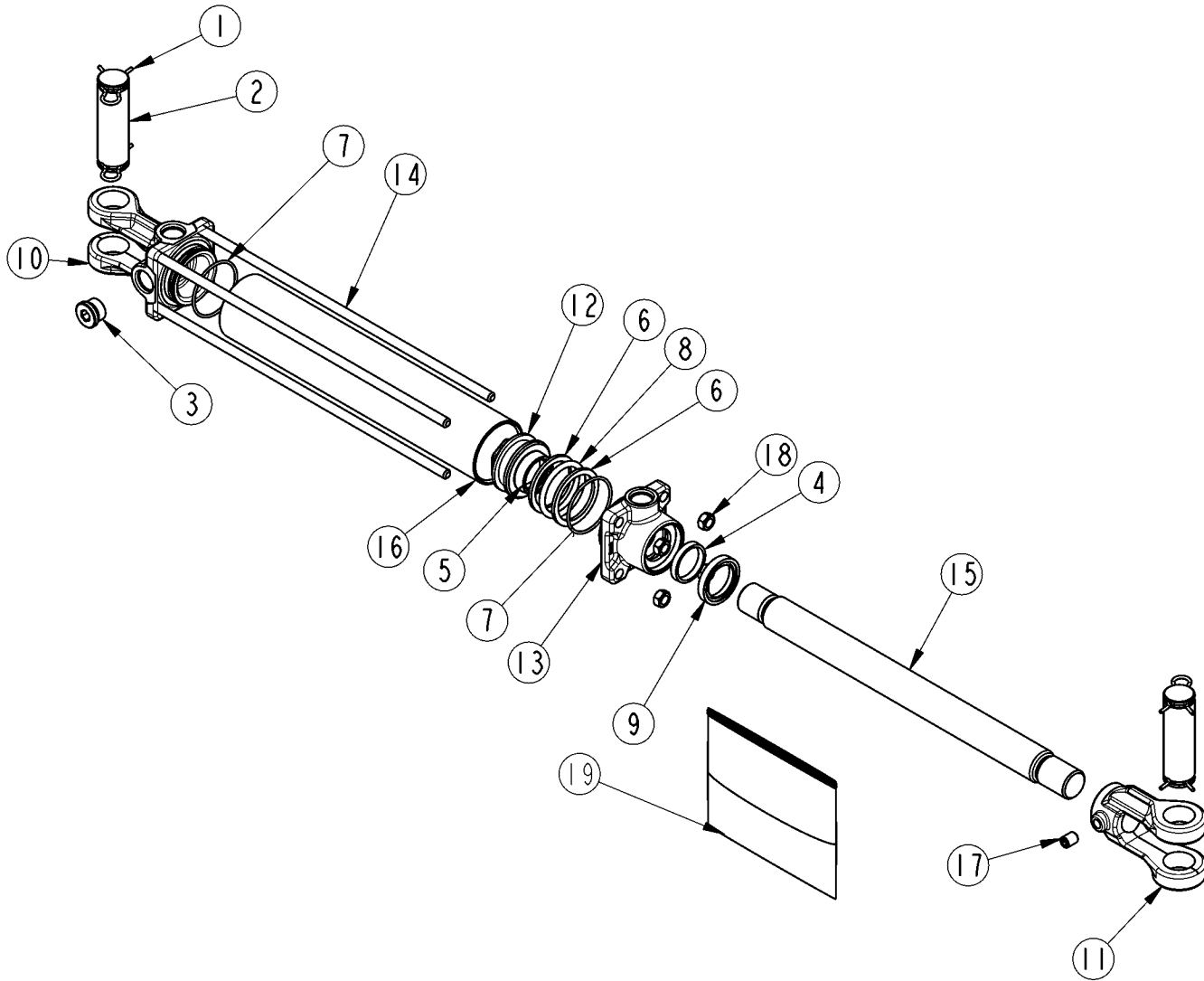
39374

Hydraulic Angle Option S/N 985650+**Applies to LR1660, LR1672, LR1684, LR1696**

Ref	Part No.	Part Description	Comments	Revision
	dwg39374	Drawing Image Number		
	301-526A	RB/LR16 HYDRAULIC ANGLE KIT *		
1.	301-402H	WLDMNT, RB16 FRNT CYL MOUNT		
2.	301-523H	RB16/26 HYD ANG PLATE		
3.	802-594C	HHCS 3/4-10X5 1/2 GR5		
4.	802-658C	HFS 1/2-13 X 3 1/2 GR5 PLT		
5.	803-169C	NUT HEX FLG LOCK 1/2-13 PLT		
6.	803-299C	NUT HEX FLG TOP LK 3/4-10 PLT		
7.	810-746C	CYL 2X10X1.12 ROD (TIE)		
8.	811-063C	EL 3/4MJIC 3/4MORB		
9.	811-088C	AD 3/4MORB 3/4MJIC		
10.	841-590C	HH3/8R2 054 3/4FJIC E-Z FLEX		
11.	841-591C	HH3/8R2 067 3/4FJIC E-Z FLEX		

Hydraulic Cylinder (810-746C)

Applies to LR1660, LR1672, LR1684, LR1696



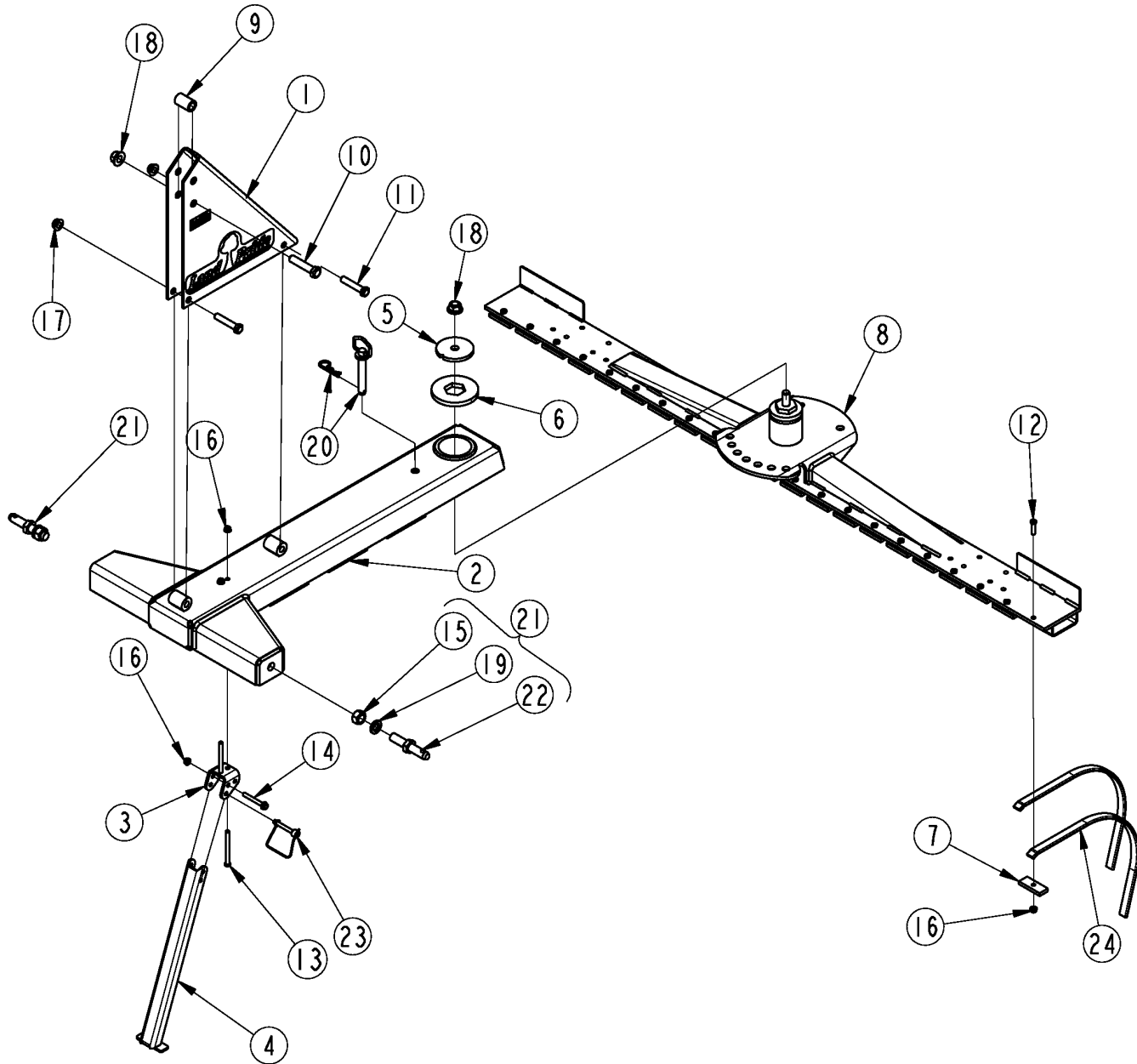
33417

Hydraulic Cylinder (810-746C)**Applies to LR1660, LR1672, LR1684, LR1696**

Ref	Part No.	Part Description	Comments	Revision
	dwg33417	Drawing Image Number		
	810-746C	CYL 2X10X1.12 ROD (TIE) *		
1.	134952	LION PIN CLIP-CLEVIS		
2.	134953	LION PIN		
3.	186562	LION PLUG 3/4-16UNF SOCKET HD		
4.	N/A	MON SEAL HALLITE 605 ROD 1.13		
5.	N/A	MON O-RING 024 1.125X1.225 N90		
6.	N/A	MON SEAL BU#326 19PI-326		
7.	N/A	MON O-RING 133 1.812X2 BUNA D9		
8.	N/A	MON O-RING 326 1.63X2 D90		
9.	N/A	LION WIPER SEAL		
10.	293008	MON CLEVIS CAP 2.00-3/4ORD-1.0		
11.	293009	MON ROD CLEVIS 1.00-1.00 TX		
12.	293010	MON PISTON 2.00 TX		
13.	293016	MON ROD CAP 2.00-1.13-3/4 ORB		
14.	494178	MON TIE ROD 5/16-10 TX WASHED		
15.	497509	MON ROD 1.12-10-1.00-1.00 TX		
16.	498508	MON TUBE 2.00-10 TX CYL		
17.	801-023C	SCREW SET SH 3/8-16X3/8 TYPE C		
18.	803-008C	NUT HEX 5/16-18 PLT		
19.	810-252C	SEAL KIT LN 639572 2.0BX1.125R		

Frame and Rake S/N 985649-

Applies to LR2684, LR2696



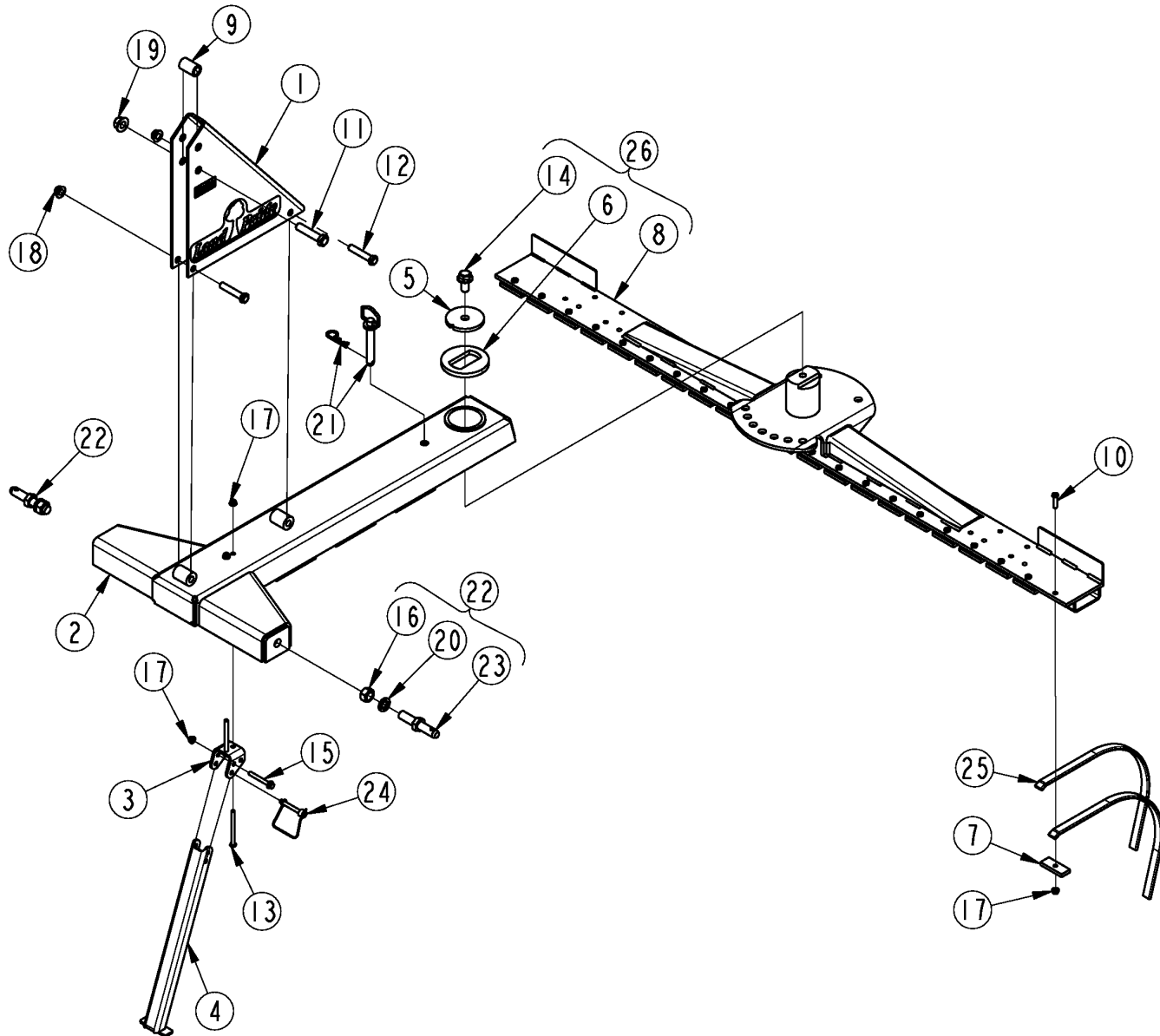
35083

Frame and Rake S/N 985649-**Applies to LR2684, LR2696**

Ref	Part No.	Part Description	Comments	Revision
	Dwg 35083	Drawing Image Number		
1.	300-125S	25/26 UPPER HITCH W/DECALS		
1.	300-125S81	25/26 UPPER HITCH GREEN		
1.	300-125S82	25/26 UPPER HITCH ORANGE		
2.	300-245H	WLDMNT, RB26 SERIES FRAME		
2.	300-245H81	WLDMNT, RB26 GREEN FRAME		
2.	300-245H82	WLDMNT, RB26 ORANGE FRAME		
3.	300-487D	MOUNT, RB16/26/36 SUPPORT STND		
4.	300-504D	STAND, RB26/36 SUPPORT		
5.	301-240D	40 PIVOT CAP	S/N 911765+	
5.	301-303D	RETAINER CAP	S/N 911764-	
6.	301-466D	PLATE, HEX DRIVE PIVOT CAP		
7.	302-130D	RAKE TINE CLIP		
8.	302-293H	RPBY 302-314S		
8.	302-294H	RPBY 302-315S		
9.	308-400D	SPACER 1 1/4OD X 13/16ID X 2LG		
10.	802-066C	HHCS 3/4-10X3 1/2 GR5		
11.	802-160C	HHCS 5/8-11X3 1/4 GR5		
12.	802-022C	HHCS 3/8-16X1 1/2 GR5	S/N 792755+	
12.	802-569C	HFSS 3/8-16X1 1/2 GR5	S/N 792754-	
13.	802-750C	HHCS 3/8-16X4 1/4 GR5		
14.	802-934C	HFS 3/8-16X3 GR5 ZNYCR		
15.	803-149C	NUT HEX 7/8-14 PLT		
16.	803-209C	NUT FLANGE LOCK 3/8-16 PLT		
17.	803-263C	NUT HEX FLANGE LOCK 5/8-11 PLT		
18.	803-299C	NUT HEX FLG TOP LK 3/4-10 PLT		
19.	804-037C	WASHER LOCK SPRING 7/8 PLT		
20.	805-081C	PIN HITCH 3/4 X 4 3/8		
21.	805-111C	PIN DRAW 7/8 X 5		
22.	N/A	PIN DRAW 7/8 X 5		
23.	805-212C	PIN WIRE SNAP LOCK 3/8 X 2 1/2		
24.	820-037C	RAKE TOOTH 1	84" 42 Total & 96" 48 Total	

Frame and Rake S/N 985650+

Applies to LR2684, LR2696



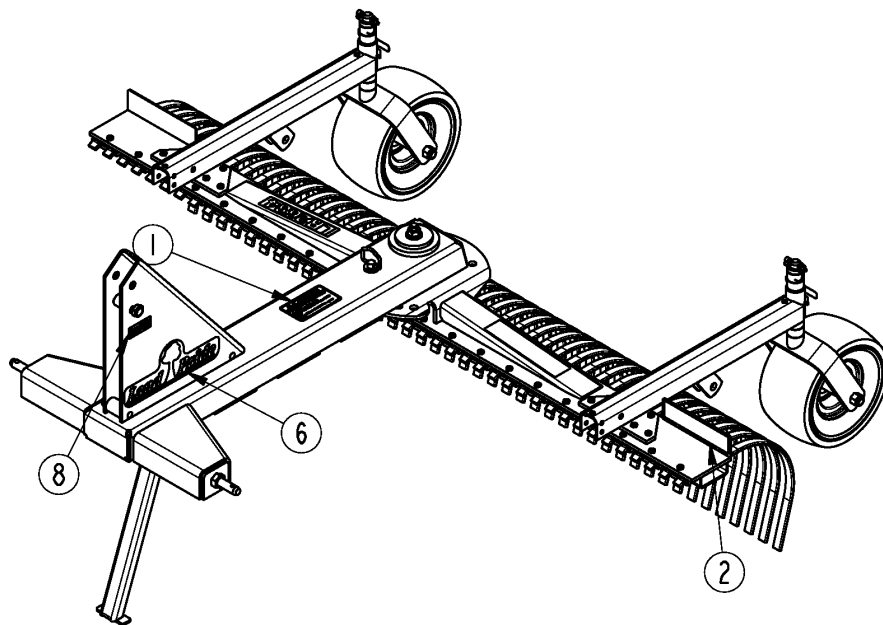
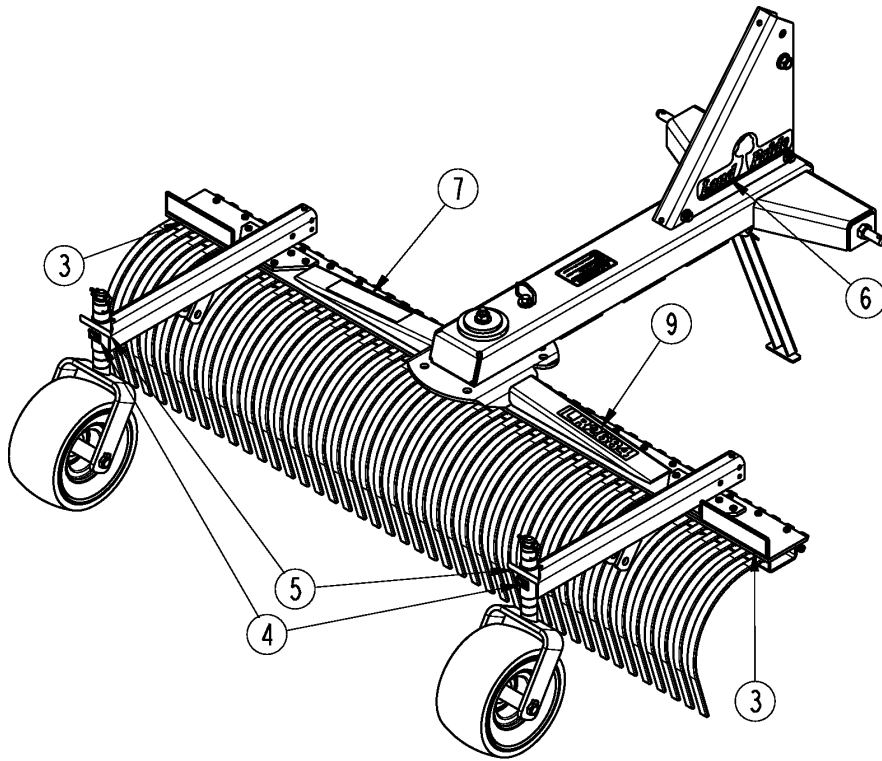
39381

Frame and Rake S/N 985650+**Applies to LR2684, LR2696**

Ref	Part No.	Part Description	Comments	Revision
	dwg39381	Drawing Image Number		
1.	300-125S	25/26 UPPER HITCH W/DECALS		
1.	300-125S81	25/26 UPPER HITCH GREEN		
1.	300-125S82	25/26 UPPER HITCH ORANGE		
2.	300-245H	WLDMNT, RB26 SERIES FRAME		
2.	300-245H81	WLDMNT, RB26 GREEN FRAME		
2.	300-245H82	WLDMNT, RB26 ORANGE FRAME		
3.	300-487D	MOUNT, RB16/26/36 SUPPORT STND		
4.	300-504D	STAND, RB26/36 SUPPORT		
5.	301-240D	40 PIVOT CAP		
6.	301-637D	DRIVE PIVOT CAP		
7.	302-130D	RAKE TINE CLIP		
8.	302-312H	LR2684 RAKE MOUNT		
8.	302-313H	LR2696 RAKE MOUNT		
9.	308-400D	SPACER 1 1/4OD X 13/16ID X 2LG		
10.	802-022C	HHCS 3/8-16X1 1/2 GR5		
11.	802-066C	HHCS 3/4-10X3 1/2 GR5		
12.	802-160C	HHCS 5/8-11X3 1/4 GR5		
13.	802-750C	HHCS 3/8-16X4 1/4 GR5		
14.	802-897C	HFS 3/4-10X1 1/2 GR 5 PLT		
15.	802-934C	HFS 3/8-16X3 GR5 ZNYCR		
16.	803-149C	NUT HEX 7/8-14 PLT		
17.	803-209C	NUT FLANGE LOCK 3/8-16 PLT		
18.	803-263C	NUT HEX FLANGE LOCK 5/8-11 PLT		
19.	803-299C	NUT HEX FLG TOP LK 3/4-10 PLT		
20.	804-037C	WASHER LOCK SPRING 7/8 PLT		
21.	805-081C	PIN HITCH 3/4 X 4 3/8		
22.	805-111C	PIN DRAW 7/8 X 5		
23.	N/A	PIN DRAW 7/8 X 5		
24.	805-212C	PIN WIRE SNAP LOCK 3/8 X 2 1/2		
25.	820-037C	RAKE TOOTH 1	84" 42 Total & 96" 48 Total	
26.	302-314S	LR2684 RAKE MOUNT ASSY		
26.	302-315S	LR2696 RAKE MOUNT ASSY		

Decal Placement

Applies to LR2684, LR2696



35084

Decal Placement**Applies to LR2684, LR2696**

Ref	Part No.	Part Description	Comments	Revision
	dwg35084	Drawing Image Number		
1.	818-202C	DECAL CAUTION FALL MBOARD/RAKE		
2.	838-615C	DECAL REFLECTOR AMBER 2X9	S/N 821694+LR2696	
2.	818-229C	DECAL AMBER REFLECTOR	S/N 821693- LR2696	
3.	838-614C	DECAL REFLECTOR RED 2X9	S/N 821694+ LR2684 & LR2696	
3.	818-230C	DECAL RED REFLECTOR	S/N 821693- LR2696	
4.	818-298C	DECAL GREASE 25HRS BLACK/WHITE		
5.	818-335C	DECAL RED NARROW REFLECTOR		
6.	818-891C	RPBY 838-962C	Beige Unit	
6.	838-962C	DECAL LP 13" W/TREE BROWN/GOLD	Green & Orange Unit	
7.	848-159C	DECAL LANDPRIDE 10" BROWN/GOLD	S/N 822206+	
7.	818-898C	RPBY 848-159C	S/N 822205-	
8.	838-517C	DECAL QUICK HITCH SYSTEM		
9.	848-877C	DECAL, LR2684 GOLD		
9.	848-878C	DECAL, LR2696 GOLD		

Land Pride Touch-up Paints

Applies to LR2684, LR2696

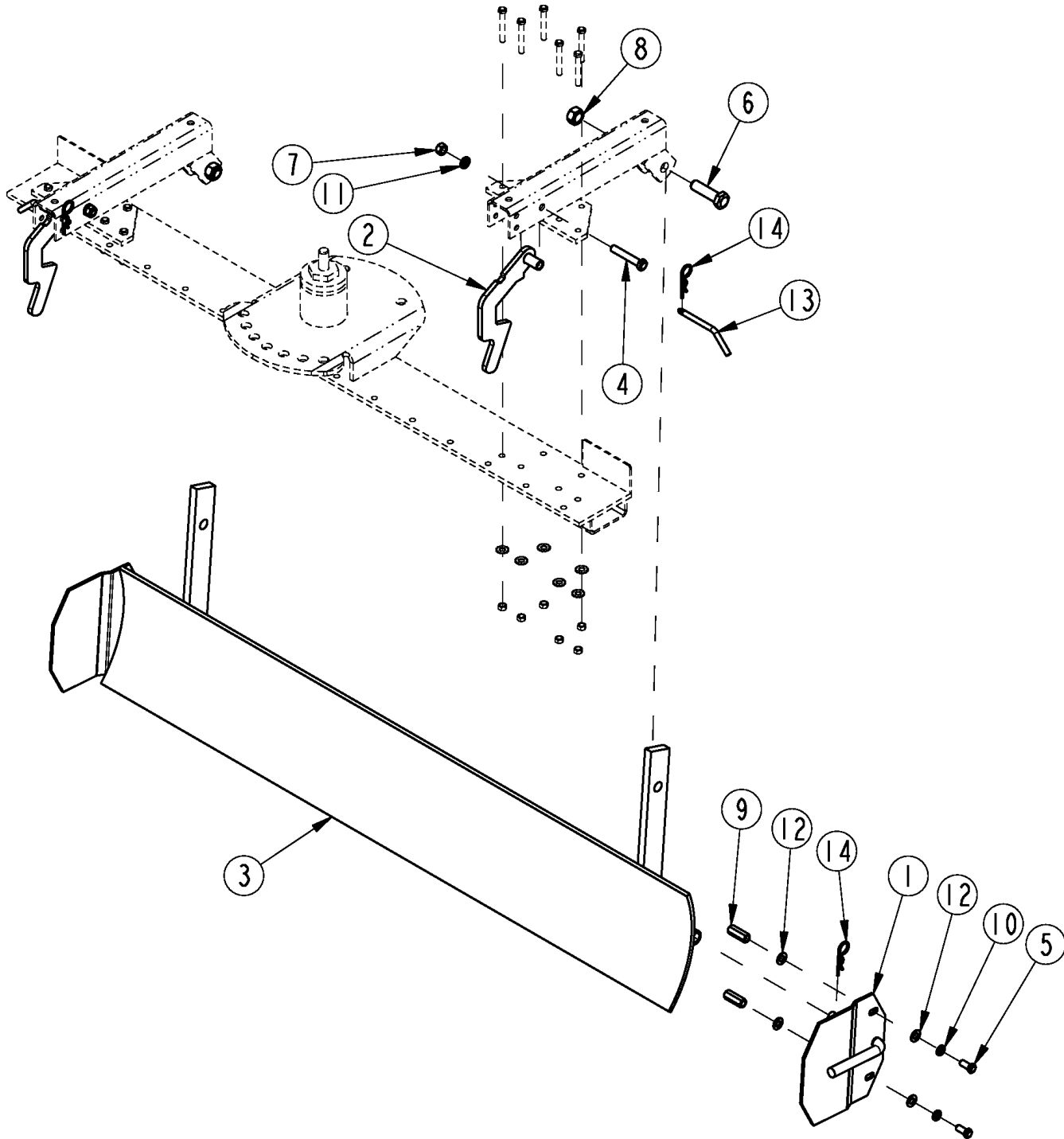
No diagram associated with this Parts List

Land Pride Touch-up Paints**Applies to LR2684, LR2696**

Ref	Part No.	Part Description	Comments	Revision
1.	821-011C	LP BEIGE SPRAY CAN	Spray can	
1.	821-070C	GLOSS BLACK SPRAY CAN	Spray can	
1.	821-054C	MED. RED SPRAY TRCK/CTR	Spray can	
1.	821-058C	GREEN SPRAY CUTTERS	Spray can	
1.	821-066C	ORANGE SPRAY CAN	Spray can	
1.	821-067C	BLUE SPRAY CAN	Spray can	
1.	821-080C	PAINT ALUMINUM/ZINC SPRAY CAN	Spray can	
2.	821-011CTU	LP BEIGE TOUCH-UP 5OZ	Touch-up bottle with brush	
2.	821-070CTU	GLOSS BLACK TOUCH-UP 5OZ	Touch-up bottle with brush	
2.	821-054CTU	MED RED TOUCH-UP 5OZ	Touch-up bottle with brush	
2.	821-058CTU	GREEN TOUCH-UP 5OZ	Touch-up bottle with brush	
2.	821-066CTU	ORANGE TOUCH-UP 5OZ	Touch-up bottle with brush	
2.	821-067CTU	BLUE TOUCH-UP 5OZ	Touch-up bottle with brush	
2.	821-080CTU	PAINT ALUMINUM/ZINC TOUCH UP	Touch-up bottle with brush	
3.	821-011CQT	LP BEIGE QUART	Quart can	
3.	821-070CQT	GLOSS BLACK QUART	Quart can	
3.	821-054CQT	MED RED QUART	Quart can	
3.	821-058CQT	GREEN QUART	Quart can	
3.	821-066CQT	ORANGE QUART	Quart can	
3.	821-067CQT	BLUE QUART	Quart can	
3.	821-080CQT	PAINT ALUMINUM/ZINC QUART	Quart can	
4.	821-011CGL	LP BEIGE GALLON	Gallon can	
4.	821-070CGL	GLOSS BLACK GALLON	Gallon can	
4.	821-054CGL	MED RED GALLON	Gallon can	
4.	821-058CGL	GREEN GALLON	Gallon can	
4.	821-066CGL	ORANGE GALLON	Gallon can	
4.	821-067CGL	BLUE GALLON	Gallon can	
4.	821-080CGL	PAINT ALUMINUM/ZINC GALLON	Gallon can	

Flip Down Grader Blade

Applies to LR2684, LR2696



33894

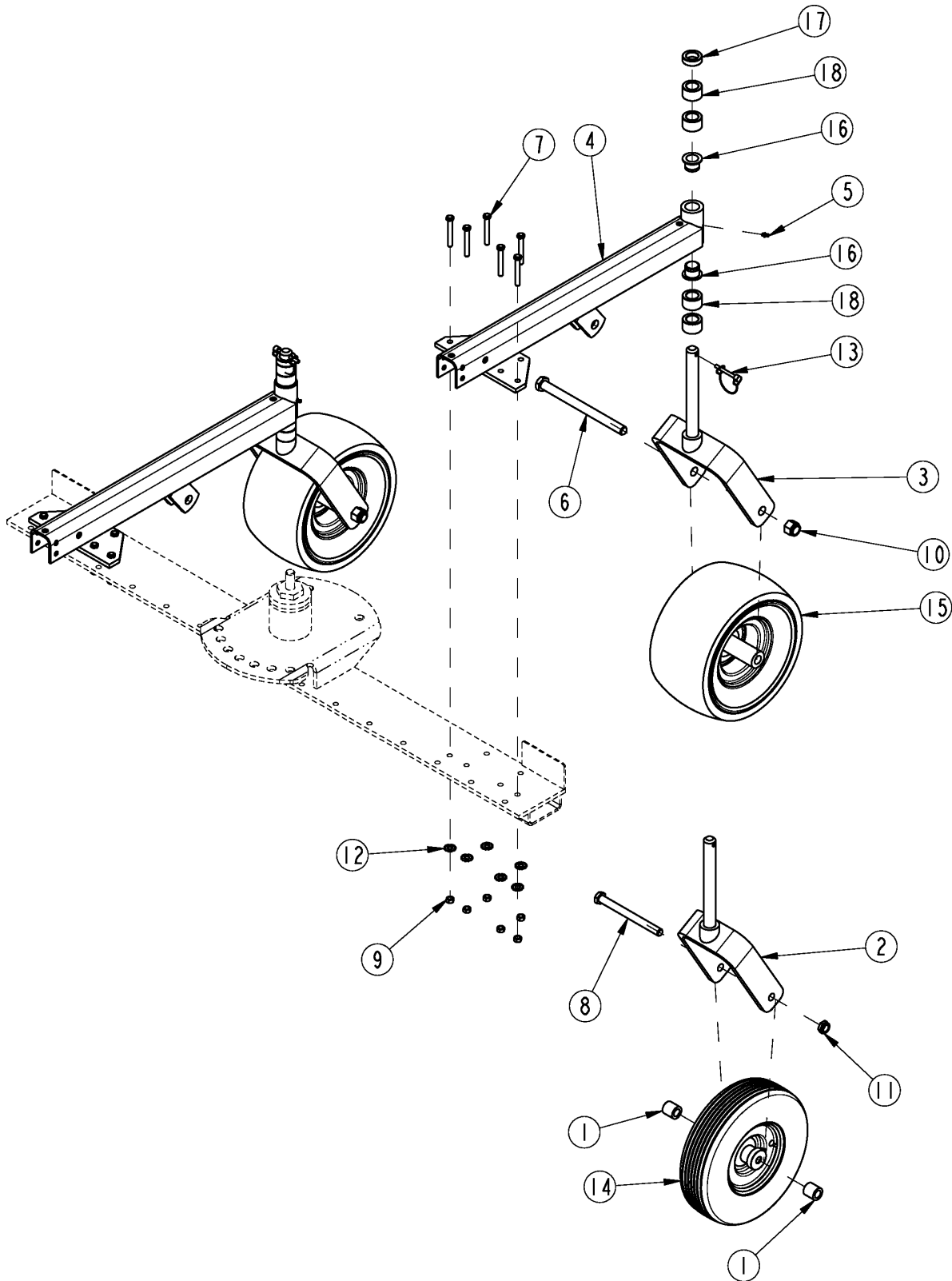
Flip Down Grader Blade

Applies to LR2684, LR2696

Ref	Part No.	Part Description	Comments	Revision
	dwg33894	Drawing Image Number		
1.	302-017H	SIDE PLATE WELDMENT		
2.	302-097H	BLADE LOCK HANDLE WELDMENT		
3.	302-145H	5' GRADER BLADE WELDMENT		
3.	302-098H	6' GRADER BLADE WELDMENT		
3.	302-099H	7' GRADER BLADE WELDMENT		
3.	302-100H	8' GRADER BLADE WELDMENT		
4.	802-039C	HHCS 1/2-13X3 GR5		
5.	802-080C	HHCS 7/16-14X1 GR5		
6.	802-086C	HHCS 3/4-10X2 3/4 GR5		
7.	803-020C	NUT HEX 1/2-13 PLT		
8.	803-026C	NUT LOCK 3/4-10 PLT		
9.	803-067C	NUT HEX CPLR 7/16-14X1 3/4 PLT		
10.	804-014C	WASHER LOCK 7/16 PLT		
11.	804-015C	WASHER LOCK SPRING 1/2 PLT		
12.	804-041C	WASHER FLAT 7/16 SAE PLT		
13.	805-001C	PIN 3/8 X 3 USABLE LW/PIN		
14.	805-032C	PIN HAIR COTTER .148 WIRE		

Gauge Wheel Dual

Applies to LR2684, LR2696



33892

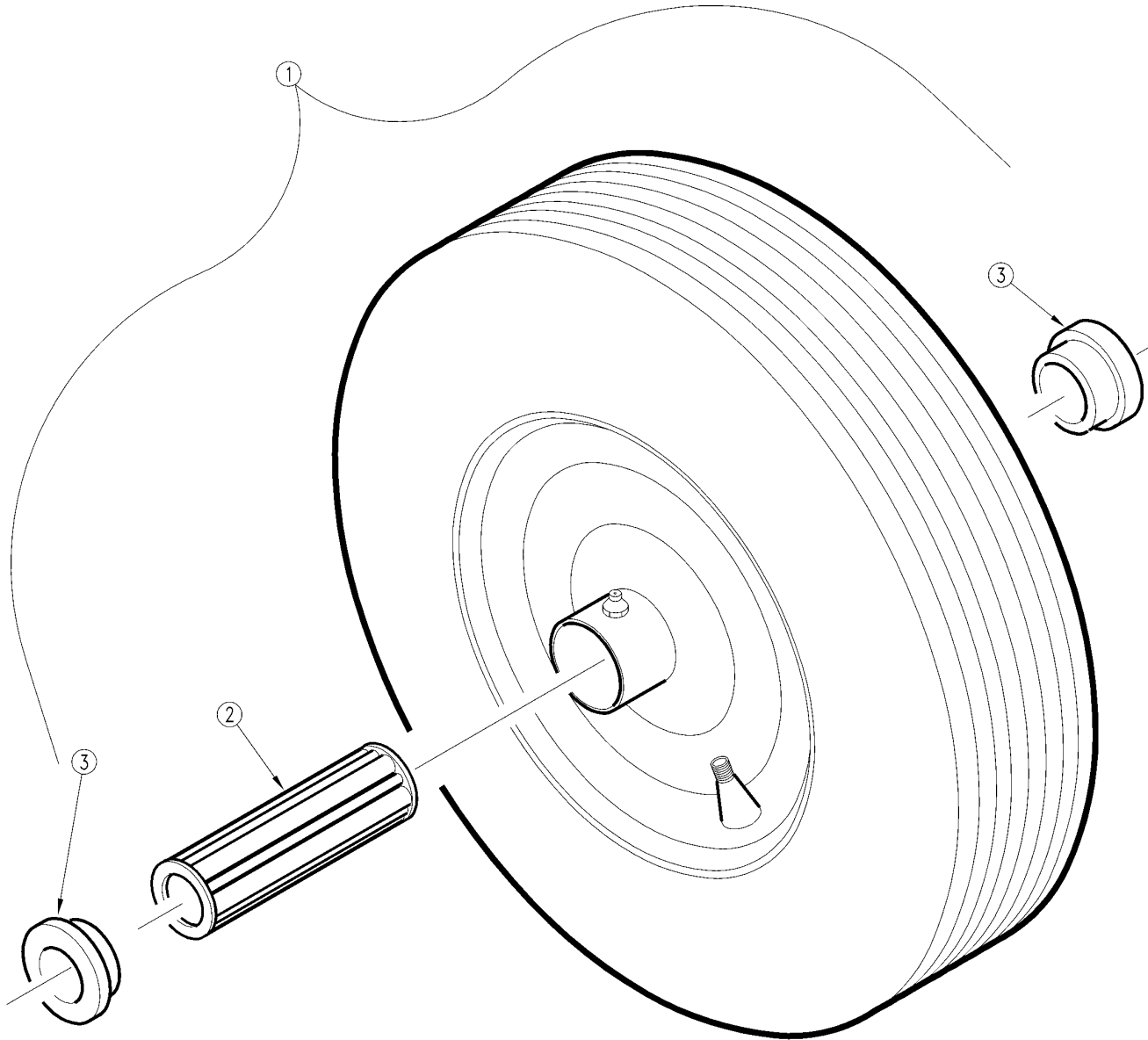
Gauge Wheel Dual

Applies to LR2684, LR2696

Ref	Part No.	Part Description	Comments	Revision
	dwg33892	Drawing Image Number		
1.	302-076D	WHEEL SPACER		
2.	302-095H	NARROW GW YOKE WELDMENT		
3.	302-096H	WIDE GW YOKE WELDMENT		
4.	302-202H	RAKE DUAL G.W. WELDMENT		
5.	800-001C	GREASE ZERK STRAIGHT 1/4-28		
6.	802-072C	HHCS 3/4-10X9 1/2 GR5		
7.	802-216C	HHCS 3/8-16X2 3/4 GR5		
8.	802-262C	HHCS 5/8-11X7 GR5		
9.	803-014C	NUT HEX 3/8-16 PLT		
10.	803-025C	NUT HEX 3/4-10 PLT NYLOCK		
11.	803-094C	NUT 5/8-11 NYLON COLLAR THIN		
12.	804-060C	WASHER INT-EXT 3/8 PLT		
13.	805-065C	PIN WIRE RETAINING 1/4 X 1 3/4		
14.	814-041C	WHEEL & TIRE PNEU 4.10 X 6		
15.	814-053C	TIRE & WHL 13/6.50X6 W/3/4 BOR		
16.	817-048C	SPINDLE BUSHING		
17.	827-001C	SPACER 1/2		
18.	827-002C	SPACER 1		

Gauge Wheel Tire (814-041C) 4" Wide

Applies to LR2684, LR2696



13625

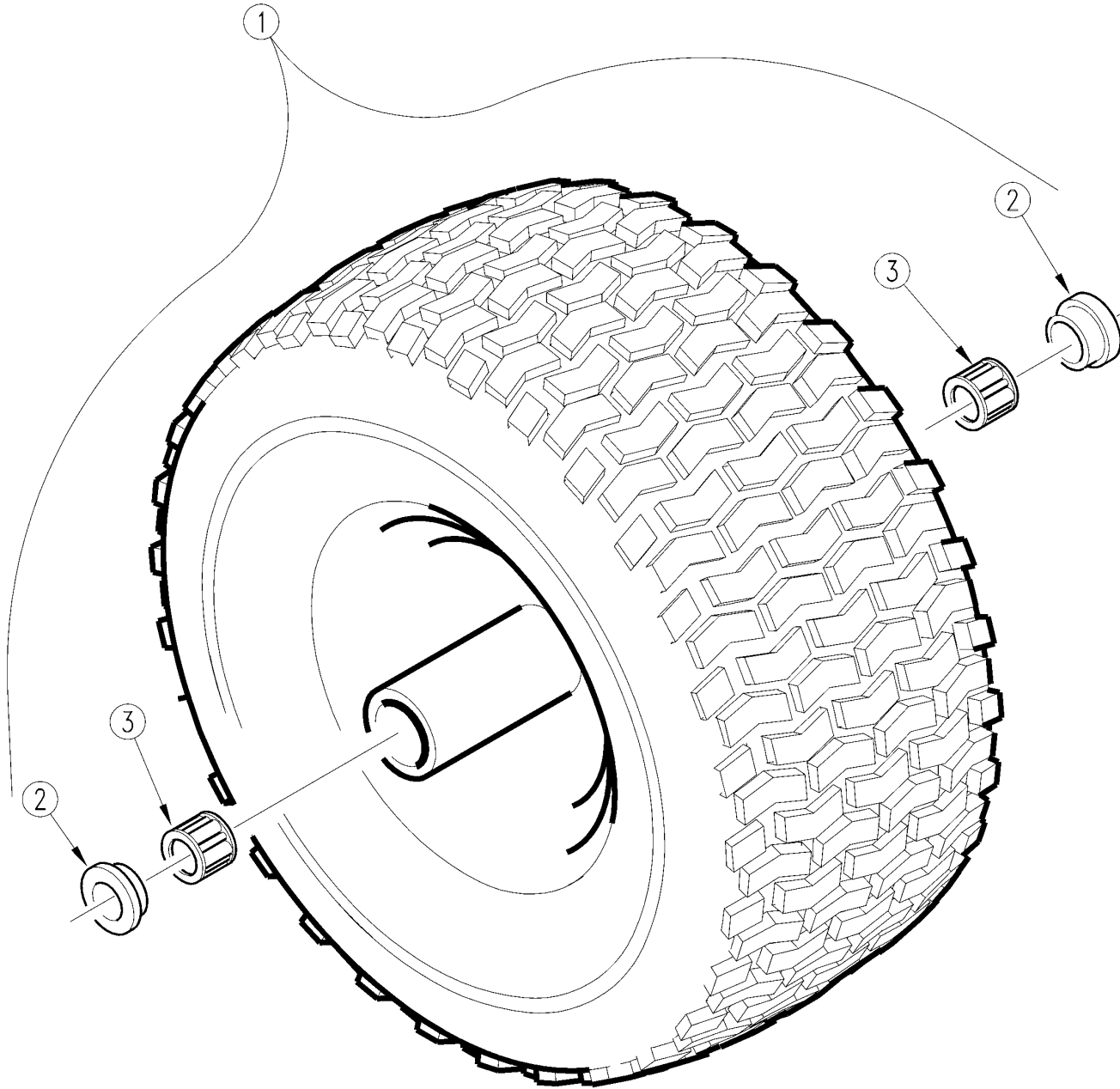
Gauge Wheel Tire (814-041C) 4" Wide

Applies to LR2684, LR2696

Ref	Part No.	Part Description	Comments	Revision
	dwg13625	Drawing Image Number		
1.	814-041C	WHEEL & TIRE PNEU 4.10 X 6		
2.	822-089C	BEARING 5/8X1 3/8X1 GLEASON587	two required	
2.	53-181	TILDEN BRG 5/8IDX1 3/8ODX2 1/2	one required	
3.	890-173C	END CAP GLEASON 4206		
3.	53-167	TILDEN RTNR 5/8IDX1 3/8ODX1/4L		

Gauge Wheel Tire (814-053C)

Applies to LR2684, LR2696



19042

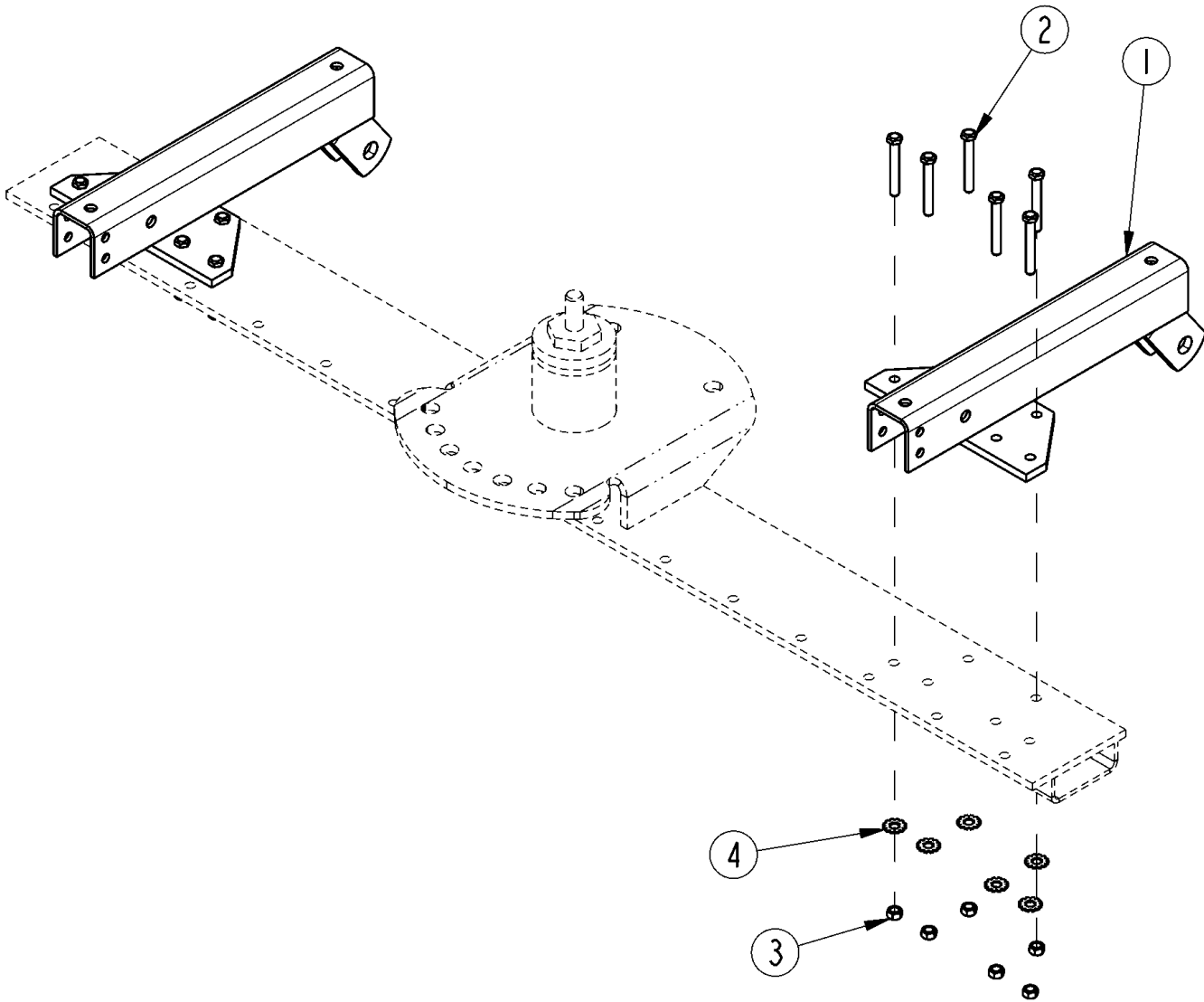
Gauge Wheel Tire (814-053C)

Applies to LR2684, LR2696

Ref	Part No.	Part Description	Comments	Revision
	dwg19042	Drawing Image Number		
1.	814-053C	TIRE & WHL 13/6.50X6 W/3/4 BOR		
2.	53-164	TILDEN RTNR 3/4IDX1 3/8ODX1/4L		
3.	53-189	TILDEN BRG 3/4ID1.34ODX15/16L		

Grader Blade Mounting Arms

Applies to LR2684, LR2696



33893

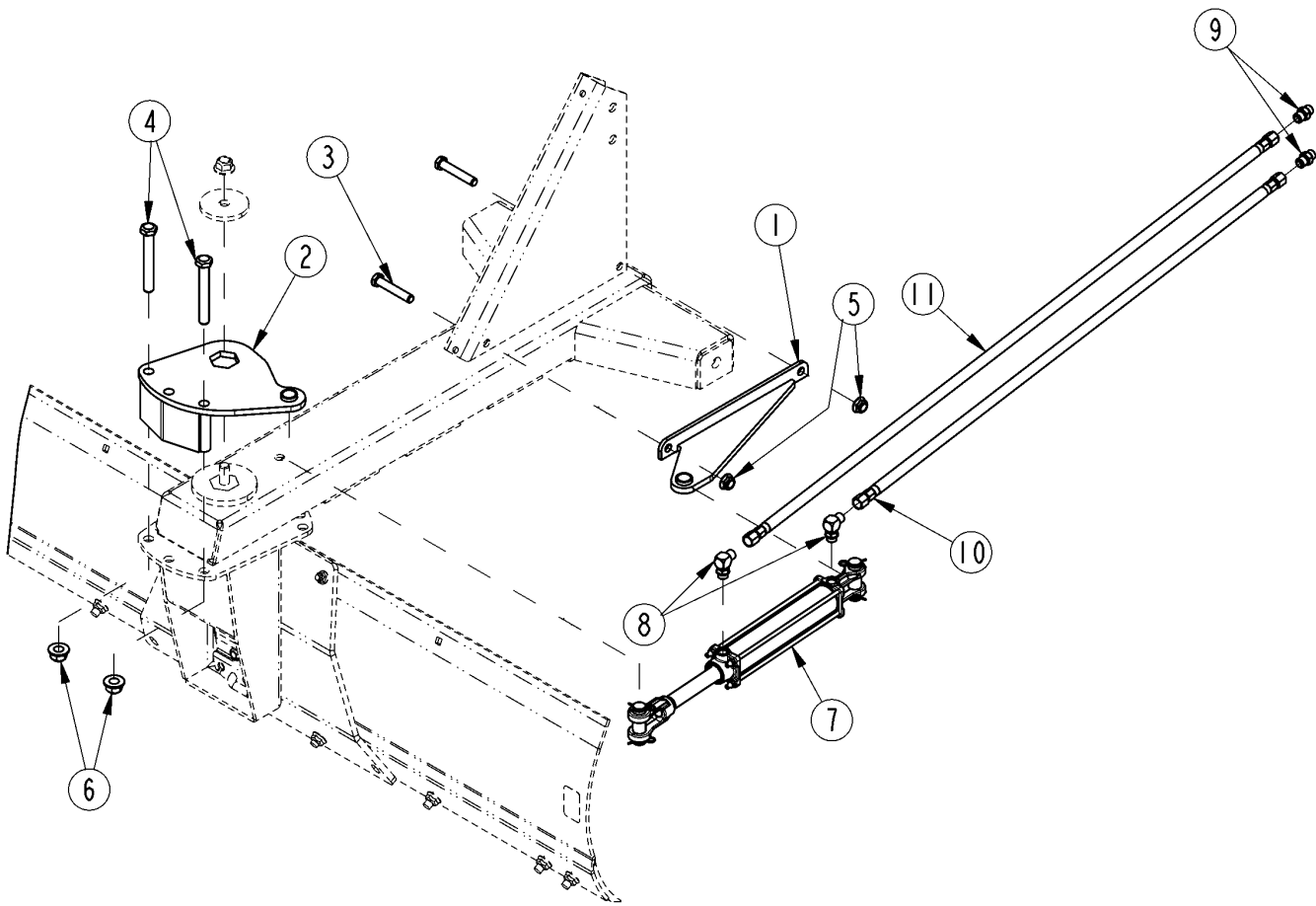
Grader Blade Mounting Arms

Applies to LR2684, LR2696

Ref	Part No.	Part Description	Comments	Revision
	dwg33893	Drawing Image Number		
1.	302-204H	GRADER BLD MTG PULL TYPE		
2.	802-216C	HHCS 3/8-16X2 3/4 GR5		
3.	803-014C	NUT HEX 3/8-16 PLT		
4.	804-060C	WASHER INT-EXT 3/8 PLT		

Hydraulic Angle Option S/N 985649-

Applies to LR2684, LR2696



33416

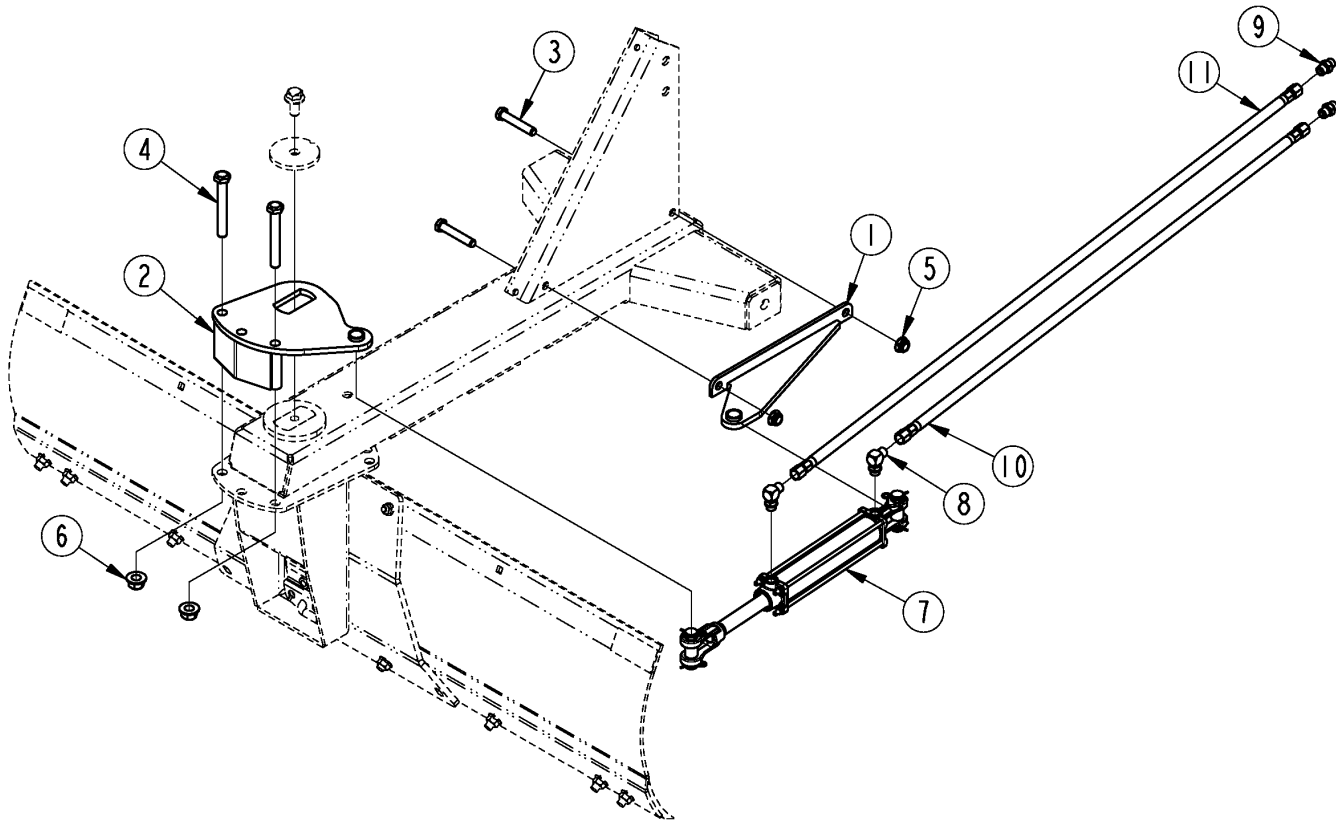
Hydraulic Angle Option S/N 985649-

Applies to LR2684, LR2696

Ref	Part No.	Part Description	Comments	Revision
	dwg33416	Drawing Image Number		
	301-426A	KIT, RB/LR26 HYDRAULIC ANGLE *	S/N 758065- May Require Grinding	
1.	301-403H	WLDMNT, RB26 FRNT CYL MOUNT		
2.	301-424H	WLDMNT. RB16/26 HYD ANG PLATE		
3.	802-162C	HHCS 5/8-11X3 1/2 GR5		
4.	802-594C	HHCS 3/4-10X5 1/2 GR5		
5.	803-263C	NUT HEX FLANGE LOCK 5/8-11 PLT		
6.	803-299C	NUT HEX FLG TOP LK 3/4-10 PLT		
7.	810-746C	CYL 2X10X1.12 ROD (TIE)		
8.	811-063C	EL 3/4MJIC 3/4MORB		
9.	811-088C	AD 3/4MORB 3/4MJIC		
10.	841-590C	HH3/8R2 054 3/4FJIC E-Z FLEX		
11.	841-591C	HH3/8R2 067 3/4FJIC E-Z FLEX		

Hydraulic Angle Option S/N 985650+

Applies to LR2684, LR2696



39375

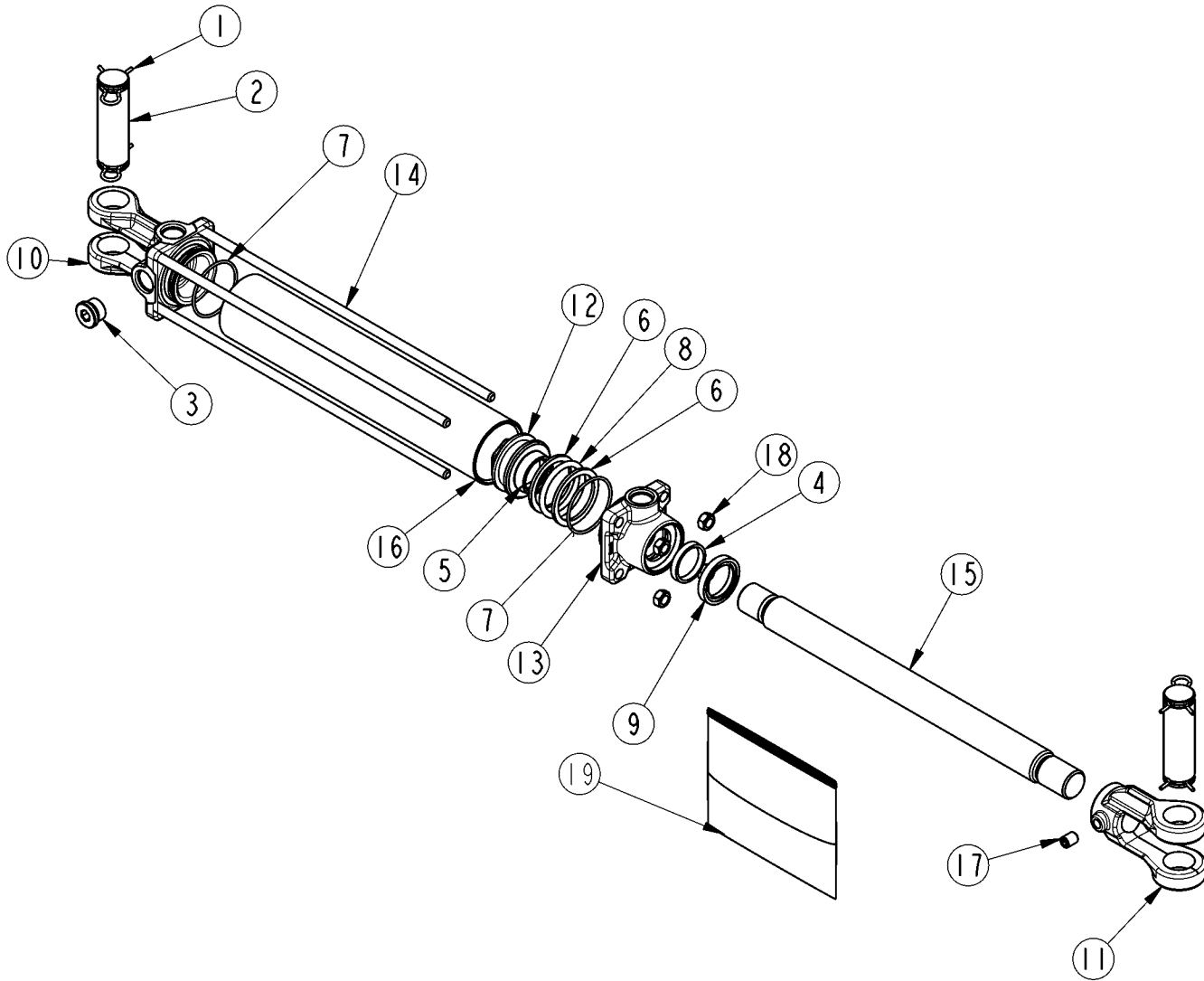
Hydraulic Angle Option S/N 985650+

Applies to LR2684, LR2696

Ref	Part No.	Part Description	Comments	Revision
	dwg39375	Drawing Image Number		
	301-524A	RB/LR26 HYDRAULIC ANGLE KIT *		
1.	301-403H	WLDMNT, RB26 FRNT CYL MOUNT		
2.	301-523H	RB16/26 HYD ANG PLATE		
3.	802-162C	HHCS 5/8-11X3 1/2 GR5		
4.	802-594C	HHCS 3/4-10X5 1/2 GR5		
5.	803-263C	NUT HEX FLANGE LOCK 5/8-11 PLT		
6.	803-299C	NUT HEX FLG TOP LK 3/4-10 PLT		
7.	810-746C	CYL 2X10X1.12 ROD (TIE)		
8.	811-063C	EL 3/4MJIC 3/4MORB		
9.	811-088C	AD 3/4MORB 3/4MJIC		
10.	841-590C	HH3/8R2 054 3/4FJIC E-Z FLEX		
11.	841-591C	HH3/8R2 067 3/4FJIC E-Z FLEX		

Hydraulic Cylinder (810-746C)

Applies to LR2684, LR2696



33417

Hydraulic Cylinder (810-746C)**Applies to LR2684, LR2696**

Ref	Part No.	Part Description	Comments	Revision
	dwg33417	Drawing Image Number		
	810-746C	CYL 2X10X1.12 ROD (TIE) *		
1.	134952	LION PIN CLIP-CLEVIS		
2.	134953	LION PIN		
3.	186562	LION PLUG 3/4-16UNF SOCKET HD		
4.	N/A	MON SEAL HALLITE 605 ROD 1.13		
5.	N/A	MON O-RING 024 1.125X1.225 N90		
6.	N/A	MON SEAL BU#326 19PI-326		
7.	N/A	MON O-RING 133 1.812X2 BUNA D9		
8.	N/A	MON O-RING 326 1.63X2 D90		
9.	N/A	LION WIPER SEAL		
10.	293008	MON CLEVIS CAP 2.00-3/4ORD-1.0		
11.	293009	MON ROD CLEVIS 1.00-1.00 TX		
12.	293010	MON PISTON 2.00 TX		
13.	293016	MON ROD CAP 2.00-1.13-3/4 ORB		
14.	494178	MON TIE ROD 5/16-10 TX WASHED		
15.	497509	MON ROD 1.12-10-1.00-1.00 TX		
16.	498508	MON TUBE 2.00-10 TX CYL		
17.	801-023C	SCREW SET SH 3/8-16X3/8 TYPE C		
18.	803-008C	NUT HEX 5/16-18 PLT		
19.	810-252C	SEAL KIT LN 639572 2.0BX1.125R		



Part Number Index

The Part Number Index is a numeric index of all part numbers included in this manual. The index shows what page(s) the part is used on.

Part Number	Page	Part Number	Page	Part Number	Page
134952	29, 53	53-181	19, 43	821-054CQT	13, 37
134953	29, 53	53-189	21, 45	821-054CTU	13, 37
186562	29, 53	800-001C	17, 41	821-058C	13, 37
293008	29, 53	801-023C	29, 53	821-058CGL	13, 37
293009	29, 53	802-022C	7, 9, 31, 33	821-058CQT	13, 37
293010	29, 53	802-039C	15, 39	821-058CTU	13, 37
293016	29, 53	802-066C	7, 9, 31, 33	821-066C	13, 37
300-124S	7, 9	802-072C	17, 41	821-066CGL	13, 37
300-124S81	7, 9	802-080C	15, 39	821-066CQT	13, 37
300-124S82	7, 9	802-086C	15, 39	821-066CTU	13, 37
300-125S	31, 33	802-160C	31, 33	821-067C	13, 37
300-125S81	31, 33	802-162C	49, 51	821-067CGL	13, 37
300-125S82	31, 33	802-216C	17, 23, 41, 47	821-067CQT	13, 37
300-242H	7, 9	802-262C	17, 41	821-067CTU	13, 37
300-242H81	7, 9	802-569C	7, 31	821-070C	13, 37
300-242H82	7, 9	802-594C	25, 27, 49, 51	821-070CGL	13, 37
300-245H	31, 33	802-643C	7, 9	821-070CQT	13, 37
300-245H81	31, 33	802-656C	7, 9	821-070CTU	13, 37
300-245H82	31, 33	802-658C	25, 27	821-080C	13, 37
300-487D	7, 9, 31, 33	802-750C	31, 33	821-080CGL	13, 37
300-488D	7, 9	802-897C	9, 33	821-080CQT	13, 37
300-504D	31, 33	802-934C	7, 9, 31, 33	821-080CTU	13, 37
301-240D	7, 9, 31, 33	803-008C	29, 53	822-089C	19, 43
301-303D	7, 31	803-014C	17, 23, 41, 47	827-001C	17, 41
301-402H	25, 27	803-020C	15, 39	827-002C	17, 41
301-403H	49, 51	803-025C	17, 41	838-517C	11, 35
301-424H	25, 49	803-026C	15, 39	838-614C	11, 35
301-425A	25	803-067C	15, 39	838-615C	11, 35
301-426A	49	803-094C	17, 41	838-962C	11, 35
301-466D	7, 31	803-149C	7, 9, 31, 33	841-590C	25, 27, 49, 51
301-523H	27, 51	803-169C	7, 9, 25, 27	841-591C	25, 27, 49, 51
301-524A	51	803-209C	7, 9, 31, 33	848-159C	35
301-526A	27	803-263C	31, 33, 49, 51	848-161C	11
301-637D	9, 33	803-299C	7, 9, 25, 27, 31, 33, 49, 51	848-873C	11
302-017H	15, 39	804-014C	15, 39	848-874C	11
302-076D	17, 41	804-015C	15, 39	848-875C	11
302-095H	17, 41	804-037C	7, 9, 31, 33	848-876C	11
302-096H	17, 41	804-041C	15, 39	848-877C	35
302-097H	15, 39	804-060C	17, 23, 41, 47	848-878C	35
302-098H	15, 39	805-001C	15, 39	858-095C	11
302-099H	15, 39	805-032C	15, 39	890-173C	19, 43
302-100H	15, 39	805-065C	17, 41	Dwg 33851	7
302-130D	7, 9, 31, 33	805-081C	7, 9, 31, 33	Dwg 35083	31
302-145H	15, 39	805-111C	7, 9, 31, 33	Dwg 39380	9
302-202H	17, 41	805-212C	7, 9, 31, 33	dwg13625	19, 43
302-204H	23, 47	810-252C	29, 53	dwg19042	21, 45
302-272H	7	810-746C	25, 27, 29, 49, 51, 53	dwg33402	25
302-274H	7	811-063C	25, 27, 49, 51	dwg33416	49
302-275H	7	811-088C	25, 27, 49, 51	dwg33417	29, 53
302-276H	7	814-041C	17, 19, 41, 43	dwg33852	11
302-293H	31	814-053C	17, 21, 41, 45	dwg33892	17, 41
302-294H	31	817-048C	17, 41	dwg33893	23, 47
302-312H	33	817-927C	7, 9	dwg33894	15, 39
302-313H	33	818-202C	11, 35	dwg35084	35
302-314S	33	818-229C	11, 35	dwg39374	27
302-315S	33	818-230C	11, 35	dwg39375	51
302-316H	9	818-298C	11, 35	dwg39381	33
302-317H	9	818-335C	11, 35	N/A	7, 9, 29, 31, 33, 53
302-318H	9	818-891C	11, 35		
302-319H	9	818-898C	35		
302-320S	9	818-900C	11		
302-321S	9	820-037C	7, 9, 31, 33		
302-322S	9	821-011C	13, 37		
302-323S	9	821-011CGL	13, 37		
308-400D	7, 9, 31, 33	821-011CQT	13, 37		
494178	29, 53	821-011CTU	13, 37		
497509	29, 53	821-054C	13, 37		
498508	29, 53	821-054CGL	13, 37		
53-164	21, 45				
53-167	19, 43				

This Page Intentionally Left Blank



Great Plains Manufacturing, Inc.

Corporate Office: P.O. Box 5060
Salina, Kansas 67402-5060 USA

www.landpride.com
