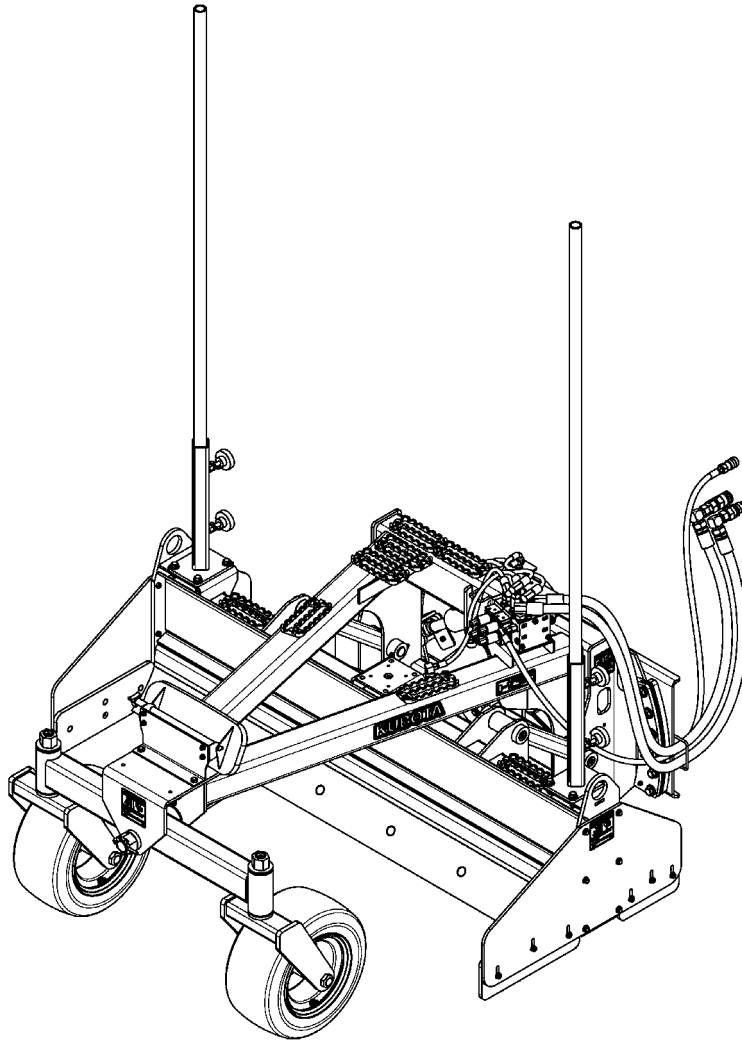


Grading Box Blade

AP-BB3072, AP-BB3084, & AP-BB3096



72705

301-635PK
Parts Manual

Kubota®



Read the Operator's Manual entirely. When you see this symbol, the subsequent instructions and warnings are serious - follow without exception. Your life and the lives of others depend on it!

© Copyright 2019 Printed 08/22/19

Cover photo may show optional equipment not supplied with standard unit.



Table of Contents

| | |
|---|-----------|
| Section 1: Introduction..... | 4 |
| Using This Manual..... | 4 |
| Manual Replacement Information..... | 4 |
| Manual Revisions..... | 4 |
| Touch-up Paint..... | 4 |
| Hardware Legend..... | 5 |
| Replacement Hardware..... | 5 |
| Serial Numbers..... | 5 |
| Part Number Service Coding..... | 5 |
| Section 2: Hitch & Frame Components..... | 6 |
| Blade Carrier Assembly..... | 6 |
| Mainframe with Gauge Wheels & Mirror..... | 8 |
| Parabolic Mirror (891-867C)..... | 10 |
| Parallel Lift Arms..... | 12 |
| Pivot Skid Hitch..... | 14 |
| Section 3: Hydraulics..... | 16 |
| 2 Priority Proportional Valve with Hook-up Hoses..... | 16 |
| Arrangement of Hydraulic Cylinders and Hoses..... | 18 |
| Hydraulic Cylinder (Energy 850-236C)..... | 20 |
| Hydraulic Cylinder (Monarch 850-338C)..... | 22 |
| Valve 2 Priority Proportional (850-337C)..... | 24 |
| Section 4: Options & Accessories..... | 26 |
| 14 Pin Manual Control Harness (301-661A)..... | 26 |
| Couplers Large Flat Faced..... | 28 |
| Receiver Mast Assembly..... | 30 |
| Section 5: Decals & Paint..... | 32 |
| Decal Placement..... | 32 |
| Kubota Touch-up Paints..... | 34 |
| | |
| Part Number Index..... | 36 |

© Copyright 2019. All rights reserved.

Kubota provides this publication “as is” without warranty of any kind, either expressed or implied. While every precaution has been taken in the preparation of this manual, Kubota assumes no responsibility for errors or omissions. Neither is any liability assumed for damages resulting from the use of the information contained herein. Kubota reserves the right to revise and improve its products as it sees fit. This publication describes the state of this product at the time of its publication, and may not reflect the product in the future. The illustrations in this manual are not intended for safe and proper assembly or disassembly of equipment. The illustrations are intended for ordering parts only.

Kubota is registered trademark.

All other brands and product names are trademarks or registered trademarks of their respective holders.

Printed in the United States of America.



Alphabetized Table of Contents

| | | |
|----------|---|----|
| 1 | 14 Pin Manual Control Harness (301-661A)..... | 26 |
| 2 | 2 Priority Proportional Valve with Hook-up Hoses..... | 16 |
| A | Arrangement of Hydraulic Cylinders and Hoses..... | 18 |
| B | Blade Carrier Assembly..... | 6 |
| C | Couplers Large Flat Faced..... | 28 |
| D | Decal Placement..... | 32 |
| H | Hydraulic Cylinder (Energy 850-236C)..... | 20 |
| | Hydraulic Cylinder (Monarch 850-338C)..... | 22 |
| K | Kubota Touch-up Paints..... | 34 |
| M | Mainframe with Gauge Wheels & Mirror..... | 8 |
| P | Parabolic Mirror (891-867C)..... | 10 |
| | Parallel Lift Arms..... | 12 |
| | Pivot Skid Hitch..... | 14 |
| R | Receiver Mast Assembly..... | 30 |
| V | Valve 2 Priority Proportional (850-337C)..... | 24 |

General Information

Using This Manual

This manual is divided into sections. The first section contains General Information. The remaining sections divide the machine into segments (i.e. Frames, Drives, Hydraulics, etc.) which illustrate and list all parts. A Parts Number Index is located at the back of the book.

The Kubota parts in this manual are specially designed for this machine and should be replaced with Kubota parts only.

The information in this manual is current at time of printing. Some parts may change to assure top performance.

Right-hand and left-hand as used in this manual are determined by facing the direction the machine will travel while in use.

Below is an example of two facing pages from a parts manual. Familiarize yourself with the type of information contained on these pages.

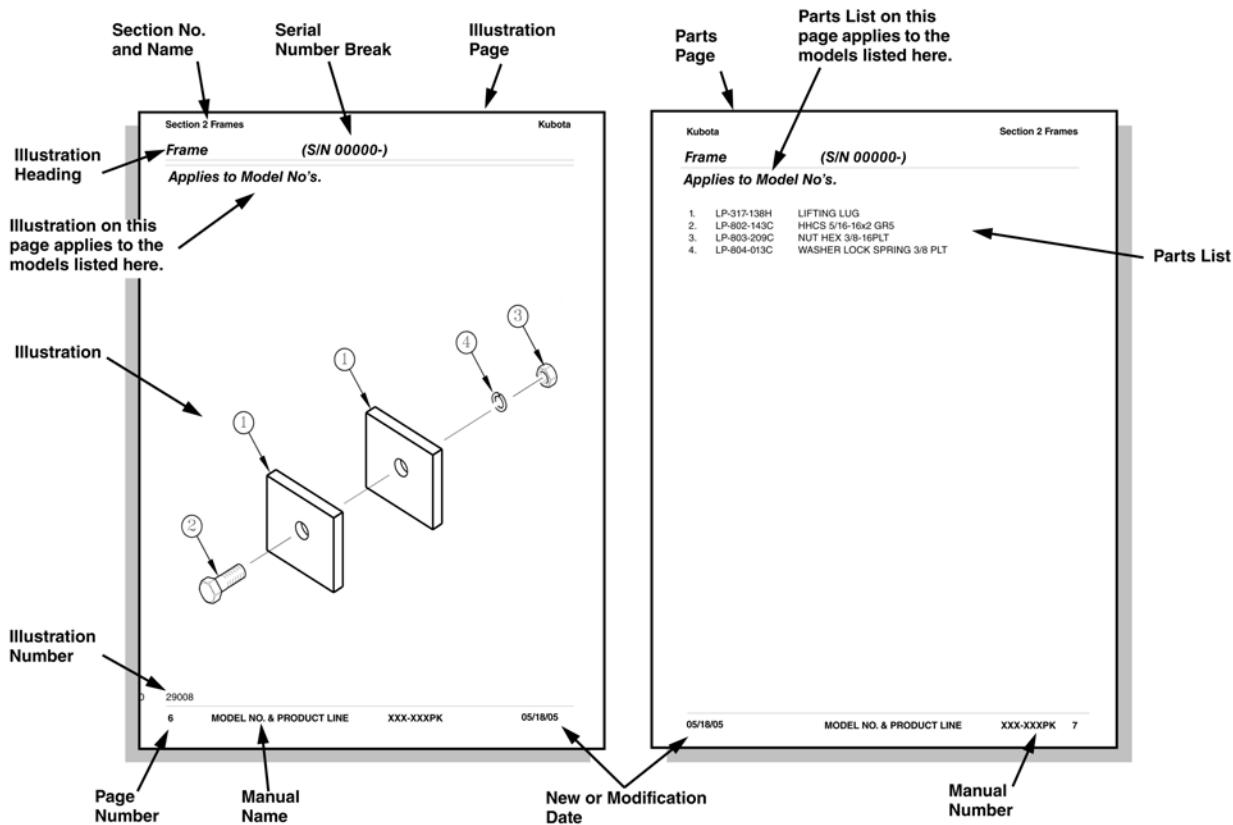
Manual Replacement Information

Replacement manuals are available. Refer to our website at www.landpride.com for additional information. Our website continues to provide the most up-to-date manuals available.

Touch-up Paint

Repaint parts where paint is worn or scratched to prevent rust. Aerosol cans and touch-up bottles with brush applicator are available through your local dealer. Also available are quart and gallon size paints. Add QT or GL to end of the Aerosol P/N.

Kubota color descriptions and part numbers are listed on the "Kubota Touch-up Paints" page in the "Decals" section of this book.



General Information

Hardware Legend

| | |
|----------|--|
| AR | As Required |
| BLADE | Blade Bolt |
| C | Cap Screw |
| CP | Cotter Pin |
| CPHSSS | Cup Point Hex Socket Set Screw |
| CPSHSS | Cup Point Square Head Set Screw |
| CPSQHSS | Cup Point Square Head Set Screw |
| CRFCHMS3 | Cross Recess Flat Countersunk Head Machine Screw |
| CRPHMS | Cross Recess Pan Head Machine Screw |
| CRPHTFS | Cross Recess Pan Head Thread Forming |
| CRRHMS | Cross Recess Round Head Machine Screw |
| CRTHMS | Cross Recess Truss Head Machine Screw |
| CSNB | Countersunk Square Neck Bolt |
| FHMS | Flat Head Machine Screw |
| FTC | Full Thread Cap Screw |
| H | Hex Nut |
| HCLN | Hex Center Lock Nut |
| HFLCS | Hex Flange Lock Cap Screw |
| HFS | Hex Flange Screw |
| HFSLN | Hex Flange Serrated Lock Nut |
| HFSS | Hex Flange Serrated Screw |
| HHCS | Hex Head Cap Screw or Metric Bolt |
| HSBHCS | Hex Socket Button Head Cap Screw |
| HSFCHCS | Hex Socket Flat Countersunk Head Cap Screw |
| HSHCS | Hex Socket Head Cap Screw |
| HSSS | Hex Socket Head Screw |
| HTLN | Hex Top Lock Nut |
| HWHCS | Hex Washer Head Cap Screw |

| | |
|----------------|---|
| HWHMS | Hex Washer Head Machine Screw |
| HXBHCS | Hex Socket Button Head Cap Screw |
| J | Hex Jam Nut |
| JIC | 37 Degree Tapered Thread |
| L | Helical Spring Lock Washer |
| LUG | Lug Bolt |
| NFC | National Fine Cap Screw |
| NPSM | National Pipe Straight Mechanical |
| NPTF | National Pipe Taper Fuel |
| P | Wide Plain Washer |
| PHMS | Pan Head Machine Screw |
| PLOW | Plow Bolt |
| RHMS | Round Head Machine Screw |
| RHSNB | Round Head Square Neck Bolt |
| SCREW LEVELING | Leveling Screw |
| SCREW THUMB | Thumb Screw |
| SCREW WELD | Weld Screw |
| SFCHMS | Slotted Flat Countersunk Head Machine Screw |
| SFHMS | Slotted Fillister Head Machine Screw |
| SP | Special |
| SP SCREW | Special Screw |
| SQHSS | Square Head Set Screw |
| SRHMS | Slotted Round Head Machine Screw |
| SSS | Socket Set Screw |
| STCS | Self Tapping Cap Screw |
| STHMS | Slotted Truss Head Machine Screw |
| WHEEL | Wheel Studs and Hub Long Bolts |
| WING | Wing Bolt |

Replacement Hardware

The **Hardware Legend** above lists hardware abbreviations used in the parts list. All bolts and nuts are Grade 5 unless otherwise noted. The use of improper grades of hardware can result in personal injury, damage to equipment, or loss of property.

Part Number Service Coding

Within the parts list some part numbers are coded for revisions and interchangeability. See notations in revision column.

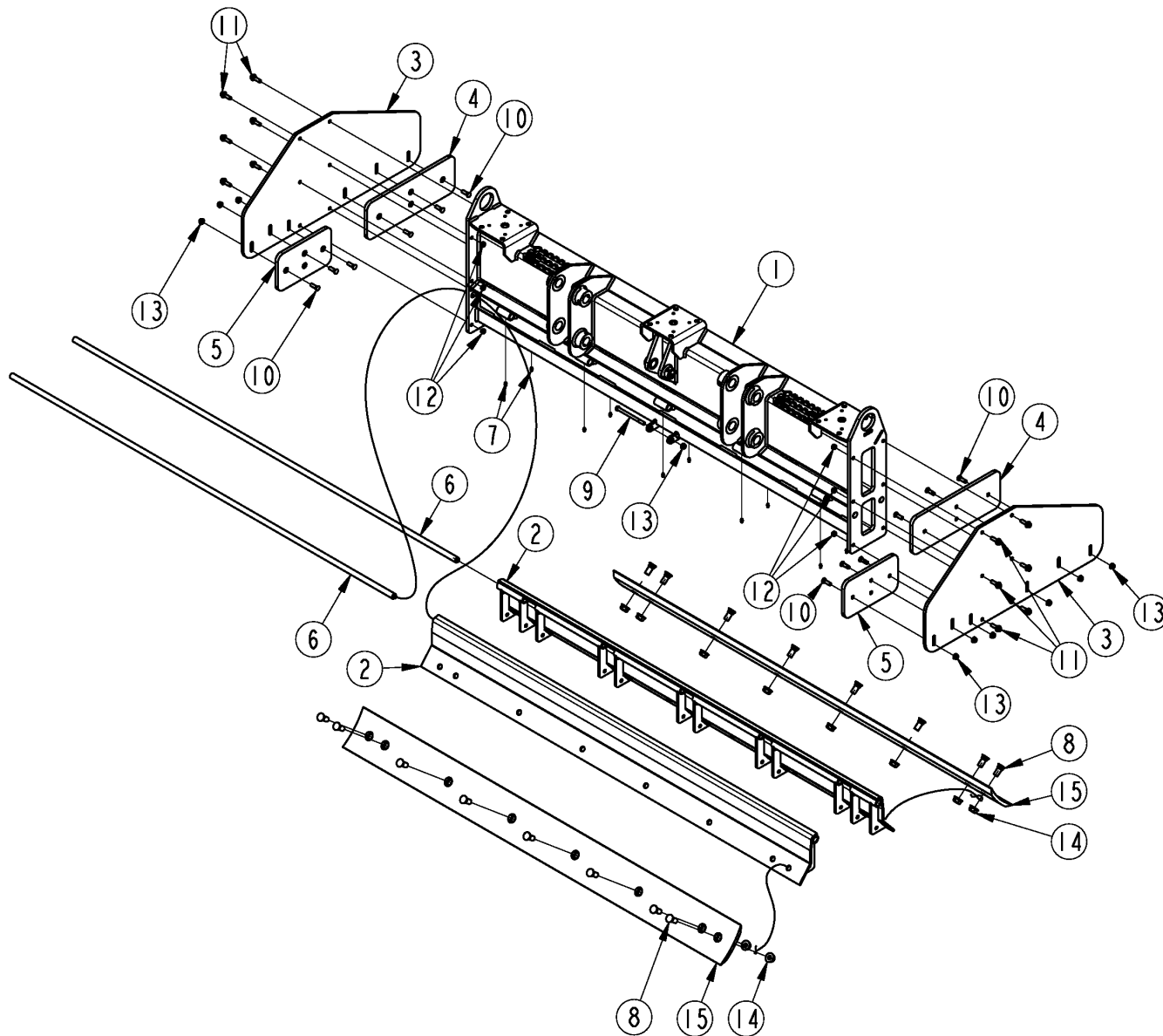
Serial Numbers

Always use the serial and model number when ordering parts. Refer to the Operator's Manual for serial number plate location.

- (S/N 20001+) Includes serial numbers 20001 and above (to the latest number)
- (S/N 10001 to 20000) Includes serial numbers between and including 10001 and 20000
- (S/N 10000-) Includes serial numbers 10000 and below (to the earliest number)

Blade Carrier Assembly

Applies to AP-BB3072, AP-BB3084, AP-BB3096



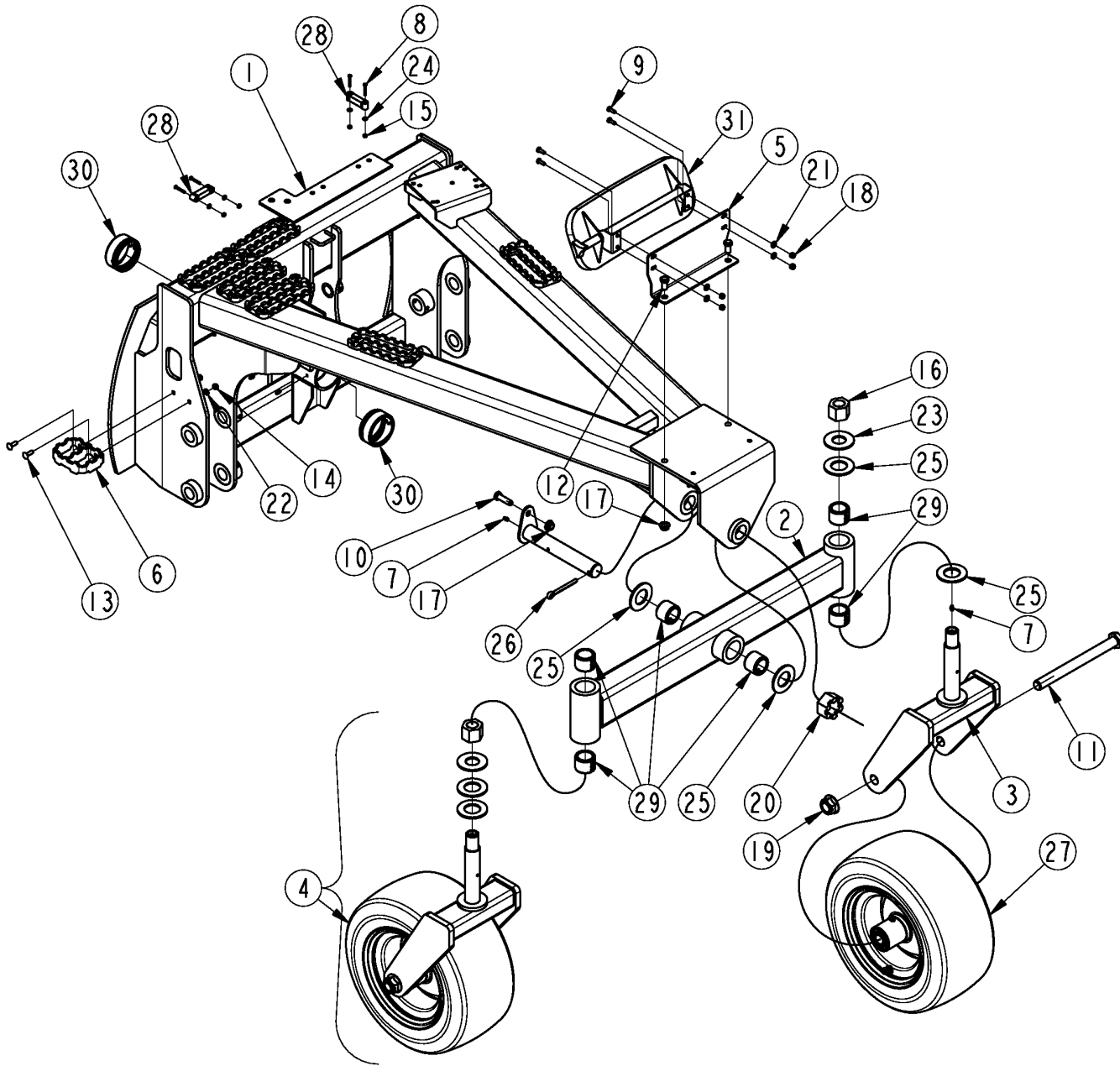
72864

Blade Carrier Assembly**Applies to AP-BB3072, AP-BB3084, AP-BB3096**

| Ref | Part No. | Part Description | Comments | Revision |
|-----|-----------|-------------------------------|---------------------------------|----------|
| | Dwg 72864 | Image No. | | |
| 1. | 301-638H | BOX BLADE FRAME 72" | BB3072 | |
| 1. | 301-639H | BOX BLADE FRAME 84" | BB3084 | |
| 1. | 301-640H | BOX BLADE FRAME 96" | BB3096 | |
| 2. | 301-642H | BLADE HOLDER 72" | BB3072 | |
| 2. | 301-643H | BLADE HOLDER 84" | BB3084 | |
| 2. | 301-644H | BLADE HOLDER 96" | BB3096 | |
| 3. | 301-809D | END PANEL | | |
| 4. | 301-810D | FRONT SIDE CUTTER | | |
| 5. | 301-811D | REAR SIDE CUTTER | | |
| 6. | 301-881D | HINGE ROD 72" | BB3072 | |
| 6. | 301-882D | HINGE ROD 84" | BB3084 | |
| 6. | 301-883D | HINGE ROD 96" | BB3096 | |
| 7. | 800-001C | GREASE ZERK STRAIGHT 1/4-28 | | |
| 8. | 802-236C | PLOW 5/8-11X1 1/2 GR5 | | |
| 9. | 802-318C | HHCS 3/8-16X5 GR5 | | |
| 10. | 802-466C | PLOW 3/8-16X1 1/4 GR5 | | |
| 11. | 802-933C | HFSS 3/8-16X1 1/4 GR5 ZNYCR | | |
| 12. | 803-013C | NUT LOCK 3/8-16 PLT | | |
| 13. | 803-068C | NUT HEX FLANGE 3/8-16 PLT | | |
| 14. | 803-304C | NUT HEX WHIZ 5/8-11 PLT | | |
| 15. | 820-043C | GRADER BLADE 1/2 X 6 X 71 1/2 | BB3072 - Requires 8 plow bolts | |
| 15. | 820-046C | GRADER BLADE 1/2 X 6 X 83 1/2 | BB3084 - Requires 9 plow bolts | |
| 15. | 820-035C | GRADER BLADE 1/2 X 6 X 95 1/2 | BB3096 - Requires 10 plow bolts | |

Mainframe with Gauge Wheels & Mirror

Applies to AP-BB3072, AP-BB3084, AP-BB3096



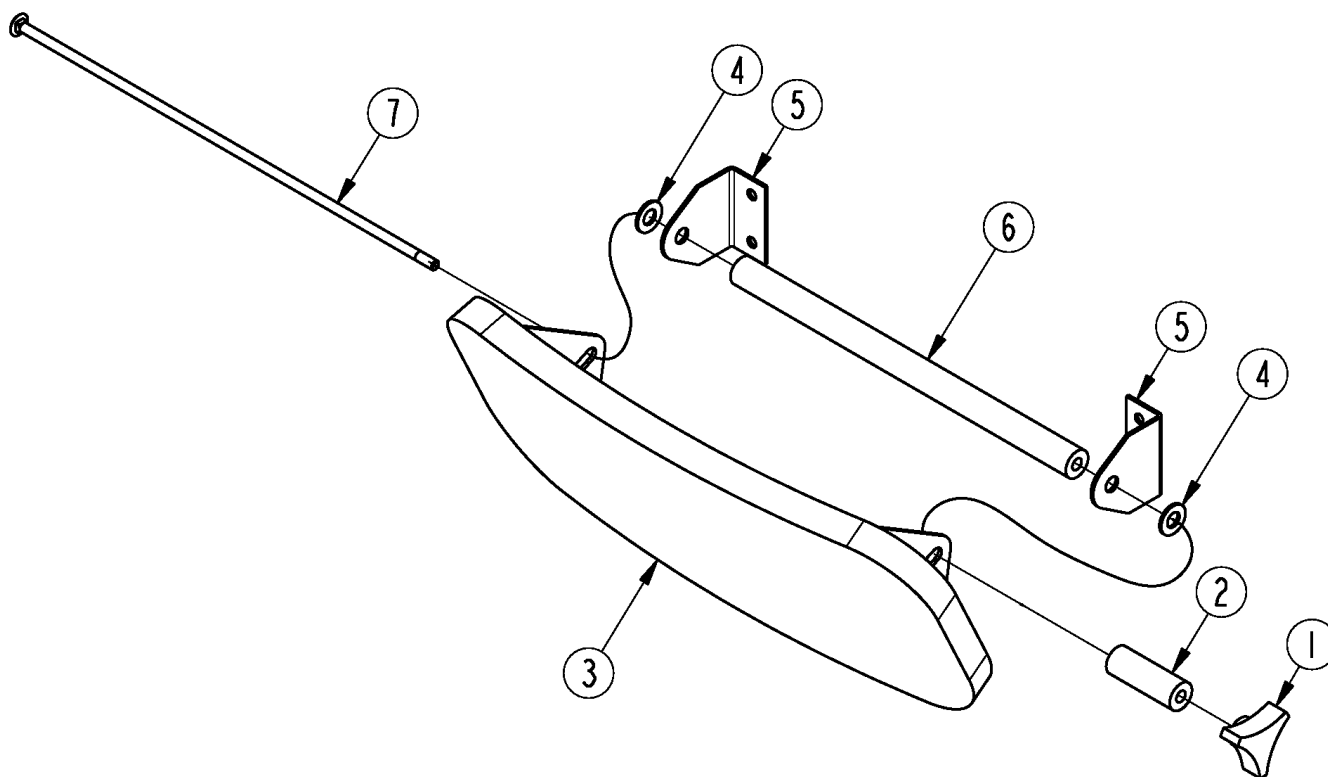
72863

Mainframe with Gauge Wheels & Mirror**Applies to AP-BB3072, AP-BB3084, AP-BB3096**

| Ref | Part No. | Part Description | Comments | Revision |
|------------|-----------------|--------------------------------|-----------------|-----------------|
| | Dwg 72863 | Image No. | | |
| 1. | 301-622H | BOX GRADER FRAME | | |
| 2. | 301-623H | PIVOTING FRONT AXLE | | |
| 3. | 301-627H | WHEEL YOKE | | |
| 4. | 301-629K | YOKE AND TIRE ASY | | |
| 5. | 301-846D | MIRROR MOUNTING BRACKET | | |
| 6. | 350-527D | SKID STEP CASTING BLACK | | |
| 7. | 800-001C | GREASE ZERK STRAIGHT 1/4-28 | | |
| 8. | 801-274C | SCREW RD HD 8-32 X 1 1/4LG PLT | | |
| 9. | 802-004C | HHCS 1/4-20X3/4 GR5 | | |
| 10. | 802-082C | HHCS 1/2-13X1 3/4 GR5 FTHD | | |
| 11. | 802-108C | HHCS 1-8X11 GR5 | | |
| 12. | 802-258C | HHCS 1/2-13X1 GR5 | | |
| 13. | 802-282C | RHSNB 5/16-18X1 GR5 | | |
| 14. | 803-008C | NUT HEX 5/16-18 PLT | | |
| 15. | 803-064C | NUT HEX 8-32 | | |
| 16. | 803-081C | NUT HEX 1 1/4-7 NYLON INSERT | | |
| 17. | 803-169C | NUT HEX FLG LOCK 1/2-13 PLT | | |
| 18. | 803-255C | NUT HEX NYLOCK 1/4-20 | | |
| 19. | 803-258C | NUT HEX FLG LOCK 1-8 GR B PLT | | |
| 20. | 803-301C | NUT HEX SLOTTED 1 1/2-6 PLT | | |
| 21. | 804-007C | WASHER FLAT 1/4 SAE PLT | | |
| 22. | 804-009C | WASHER LOCK SPRING 5/16 PLT | | |
| 23. | 804-035C | WASHER FLAT 1 1/4 USS PLT | | |
| 24. | 804-088C | WASHER FLAT #8 SAE PLT | | |
| 25. | 804-182C | WASHER HARD 1 1/2 MILCARB GR8 | | |
| 26. | 805-148C | PIN COTTER 3/8 X 3 PLT | | |
| 27. | 814-681C | TIRE & WHEEL 18X8.5-10 FF TURF | | |
| 28. | 837-157C | BUBBLE LEVEL | | |
| 29. | 891-515C | BUSHING 2 X 1 1/2 X 1 1/2 LG | | |
| 30. | 891-739C | BUSHING 3.5 X 3 X 1.5 CONNEX | | |
| 31. | 891-866C | PARABOLIC MIRROR | | |

Parabolic Mirror (891-867C)

Applies to AP-BB3072, AP-BB3084, AP-BB3096



72870

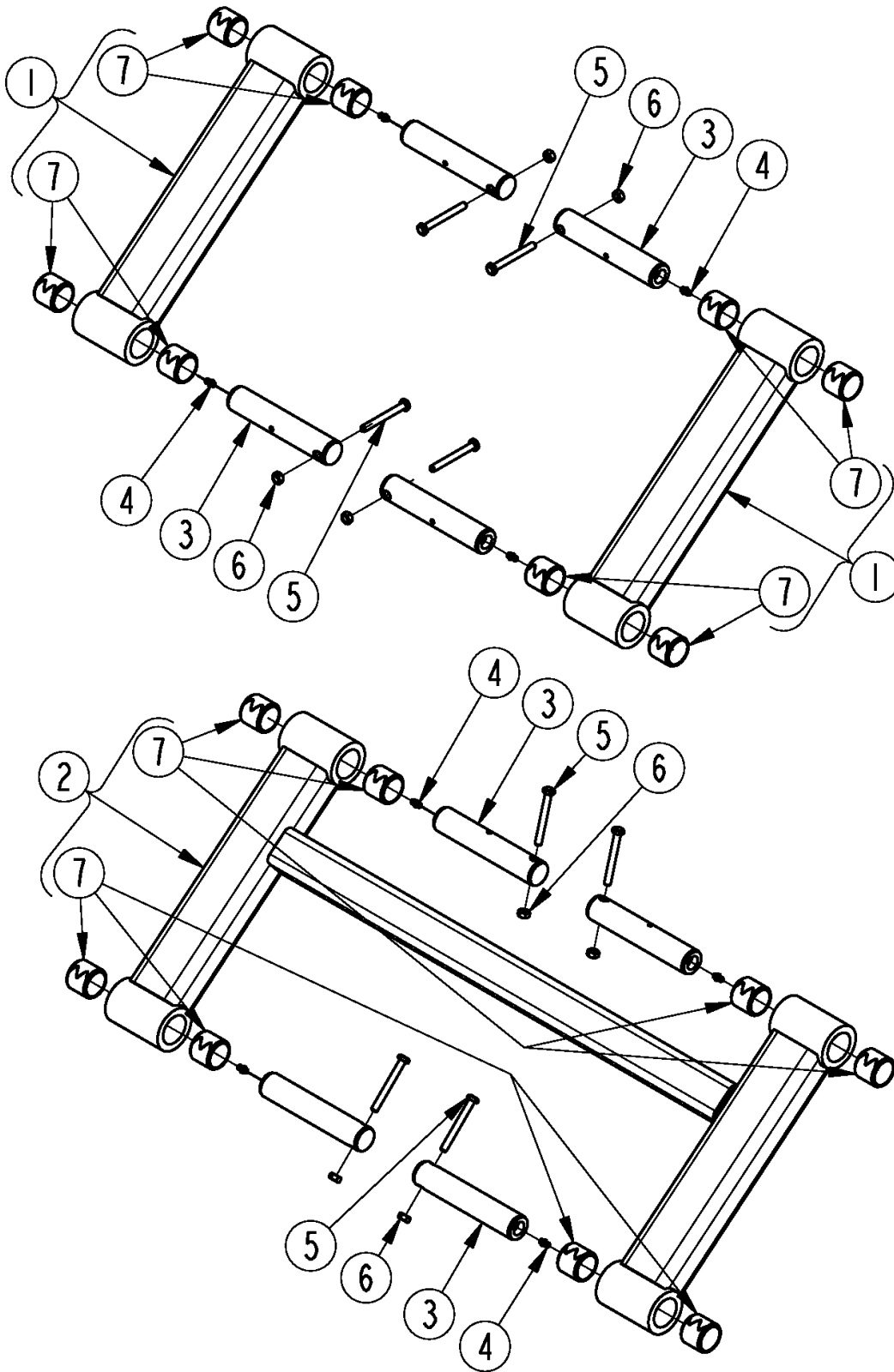
Parabolic Mirror (891-867C)

Applies to AP-BB3072, AP-BB3084, AP-BB3096

| Ref | Part No. | Part Description | Comments | Revision |
|------------|-----------------|--------------------------------|-----------------|-----------------|
| | Dwg 72870 | Image No. | | |
| | 891-866C | Parabolic Mirror | | |
| 1. | 1527-7643 | KNOB 5/16" | | |
| 2. | 1527-7009 | DERLIN SPACER .740" X 4 X 2.12 | | |
| 3. | 1527-1000 | MIRROR HEAD WITH NO HARDWARE | | |
| 4. | 1527-9266 | FIBER WASHER 7/8" | | |
| 5. | 1527-5783 | 3 HOLE MOUNTING ANGLE | | |
| 6. | 1527-7646 | SPACER .740" X 11.25 | | |
| 7. | 1527-9807 | CARRIAGE BOLT 5/16 X 14" | | |

Parallel Lift Arms

Applies to AP-BB3072, AP-BB3084, AP-BB3096



72865

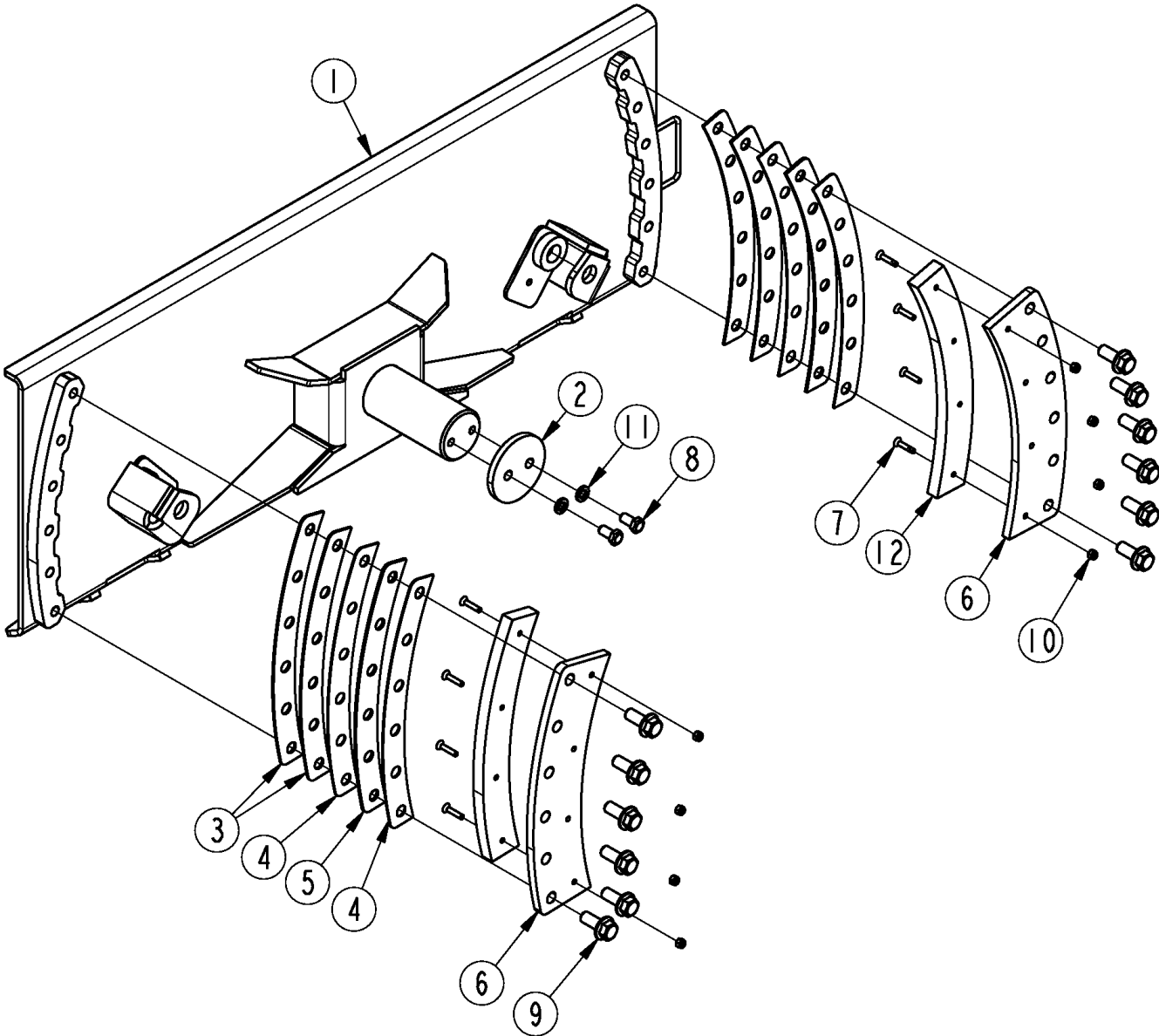
Parallel Lift Arms

Applies to AP-BB3072, AP-BB3084, AP-BB3096

| Ref | Part No. | Part Description | Comments | Revision |
|------------|-----------------|--------------------------------|-----------------|-----------------|
| | Dwg 72865 | Image No. | | |
| 1. | 301-621H | BOX BLADE LINK | | |
| 2. | 301-633H | LOWER PARALLEL ARMS | | |
| 3. | 301-879D | PIN 1.25 X 6.5 | | |
| 4. | 800-001C | GREASE ZERK STRAIGHT 1/4-28 | | |
| 5. | 802-197C | HHCS 5/16-18X2 3/4 GR5 | | |
| 6. | 803-011C | NUT LOCK 5/16-18 PLT | | |
| 7. | 890-309C | BUSH 1 1/2ODX1 1/4IDX1 1/4LONG | | |

Pivot Skid Hitch

Applies to AP-BB3072, AP-BB3084, AP-BB3096



72862

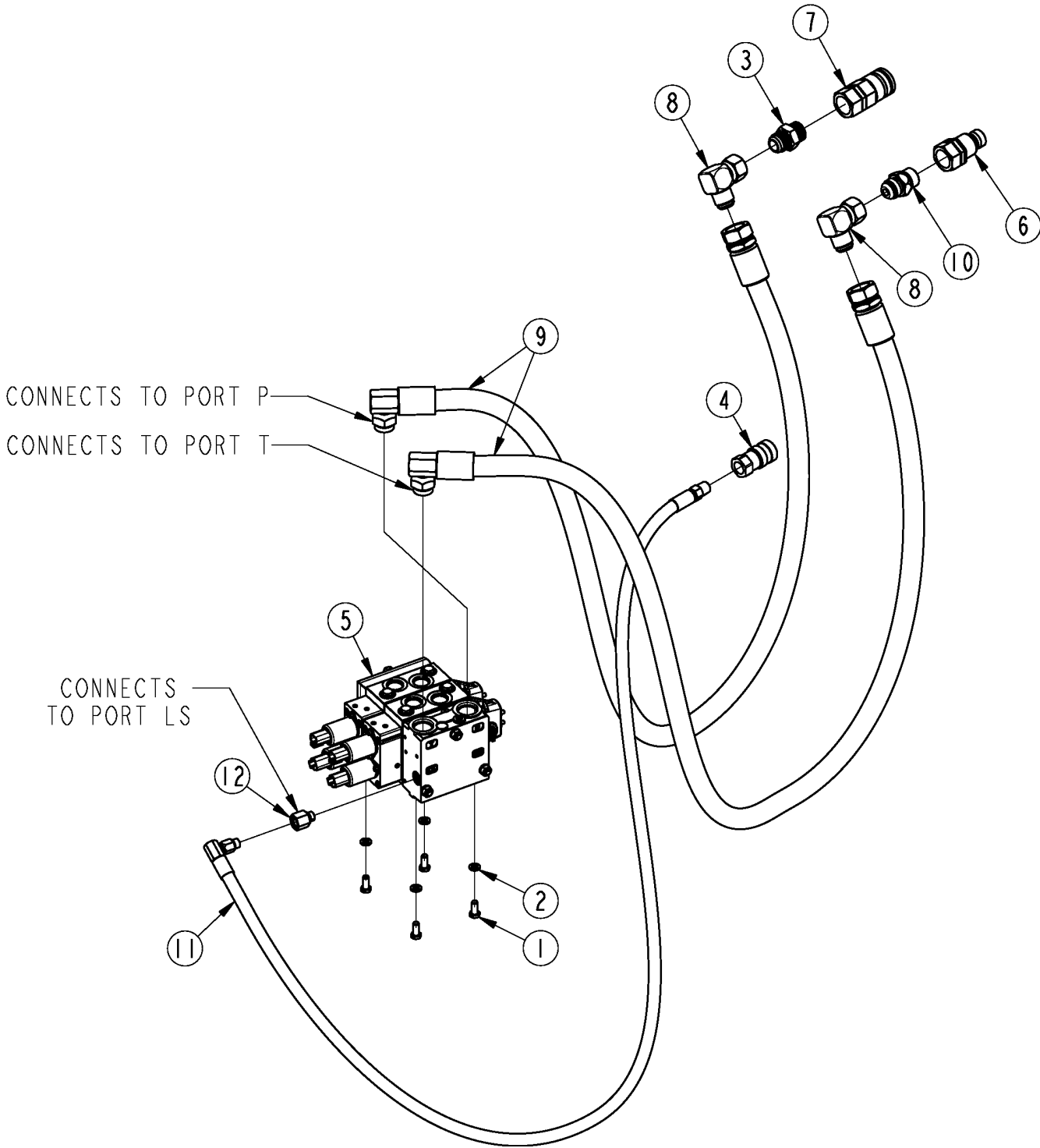
Pivot Skid Hitch

Applies to AP-BB3072, AP-BB3084, AP-BB3096

| Ref | Part No. | Part Description | Comments | Revision |
|------------|-----------------|-------------------------------|-----------------|-----------------|
| | Dwg 72862 | Image No. | | |
| 1. | 301-636H | PIVOTING SKID HITCH | | |
| 2. | 301-691D | TILT PIN RETAINER | | |
| 3. | 320-256D | SHIM .10 THK | | |
| 4. | 320-257D | SHIM .07 THK | | |
| 5. | 320-258D | SHIM .134 THK | | |
| 6. | 320-259D | CLAMP 1/2 | | |
| 7. | 801-276C | HSFCHCS 1/4-20X1 1/4 PLT | | |
| 8. | 802-258C | HHCS 1/2-13X1 GR5 | | |
| 9. | 802-407C | HFS 5/8-18X1 1/2 GR8 ZINC & Y | | |
| 10. | 803-255C | NUT HEX NYLOCK 1/4-20 | | |
| 11. | 804-015C | WASHER LOCK SPRING 1/2 PLT | | |
| 12. | 837-155C | WEAR PAD | | |

2 Priority Proportional Valve with Hook-up Hoses

Applies to AP-BB3072, AP-BB3084, AP-BB3096



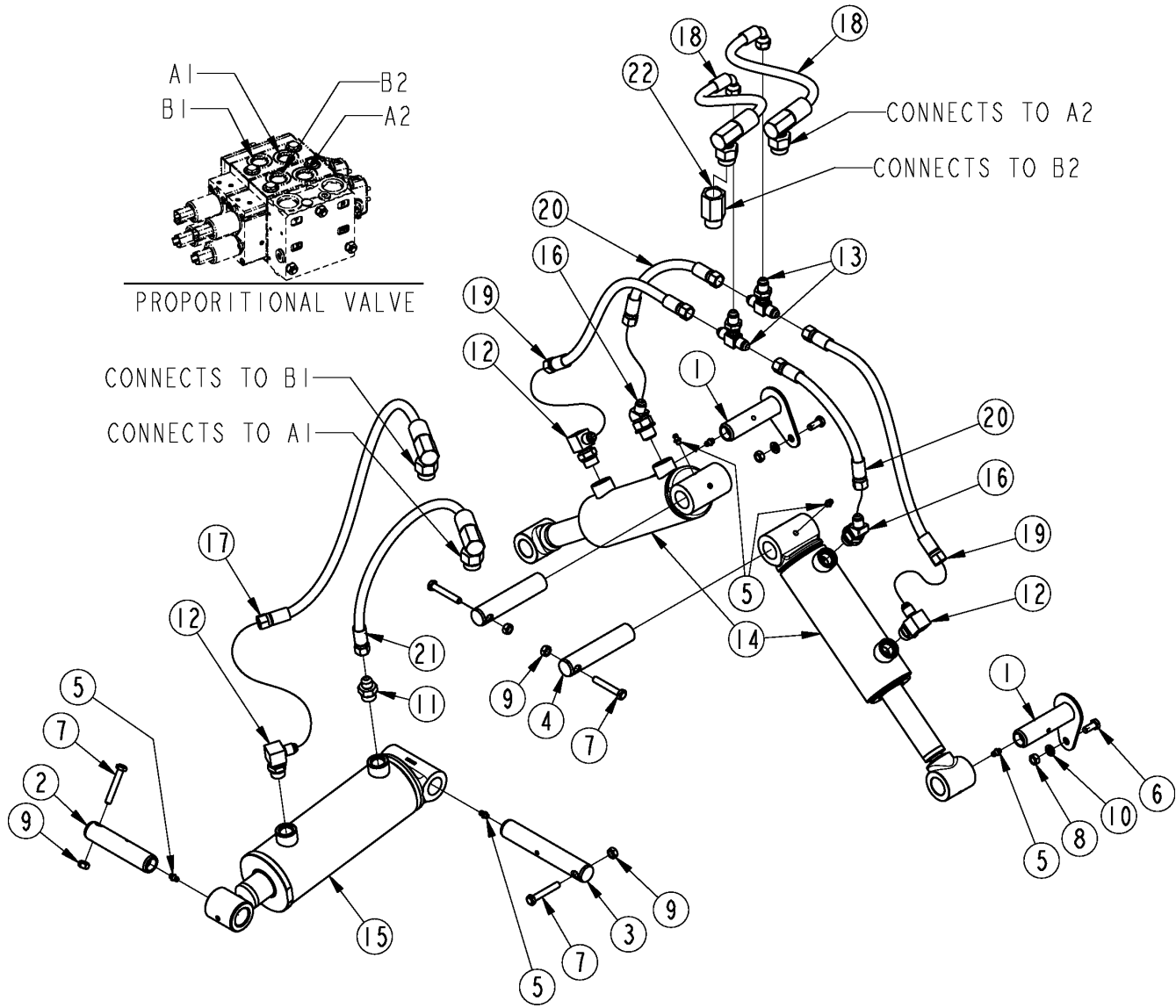
72867

2 Priority Proportional Valve with Hook-up Hoses**Applies to AP-BB3072, AP-BB3084, AP-BB3096**

| Ref | Part No. | Part Description | Comments | Revision |
|------------|-----------------|--------------------------------|-----------------|-----------------|
| | Dwg 72867 | Image No. | | |
| 1. | 802-007C | HHCS 5/16-18X3/4 GR5 | | |
| 2. | 804-009C | WASHER LOCK SPRING 5/16 PLT | | |
| 3. | 811-408C | AD 1 1/16MORB 1 1/16MJIC | | |
| 4. | 841-539C | CP 3/8 FEMALE QD 3/8FNPT | | |
| 5. | 850-337C | 2 PRIORITY PROPORTIONAL VALVE | | |
| 6. | 851-947C | CUP 1 1/16FORB MALE QUICK CPLR | | |
| 7. | 851-948C | CUP 1 1/16FORB FML QUICK CPLR | | |
| 8. | 861-062C | EL 1.06FJIC1.06MJIC 90 | | |
| 9. | 861-314C | HH3/4R17 83 1.06FJIC MORB 90SW | | |
| 10. | 861-326C | INLINE CHECK 1 1/16MJIC-MORB | | |
| 11. | 861-409C | HH1/4R2 89 3/8MNPT9/16MORBELSW | | |
| 12. | 861-440C | AD 9/16FORB 1/2MORB | | |

Arrangement of Hydraulic Cylinders and Hoses

Applies to AP-BB3072, AP-BB3084, AP-BB3096



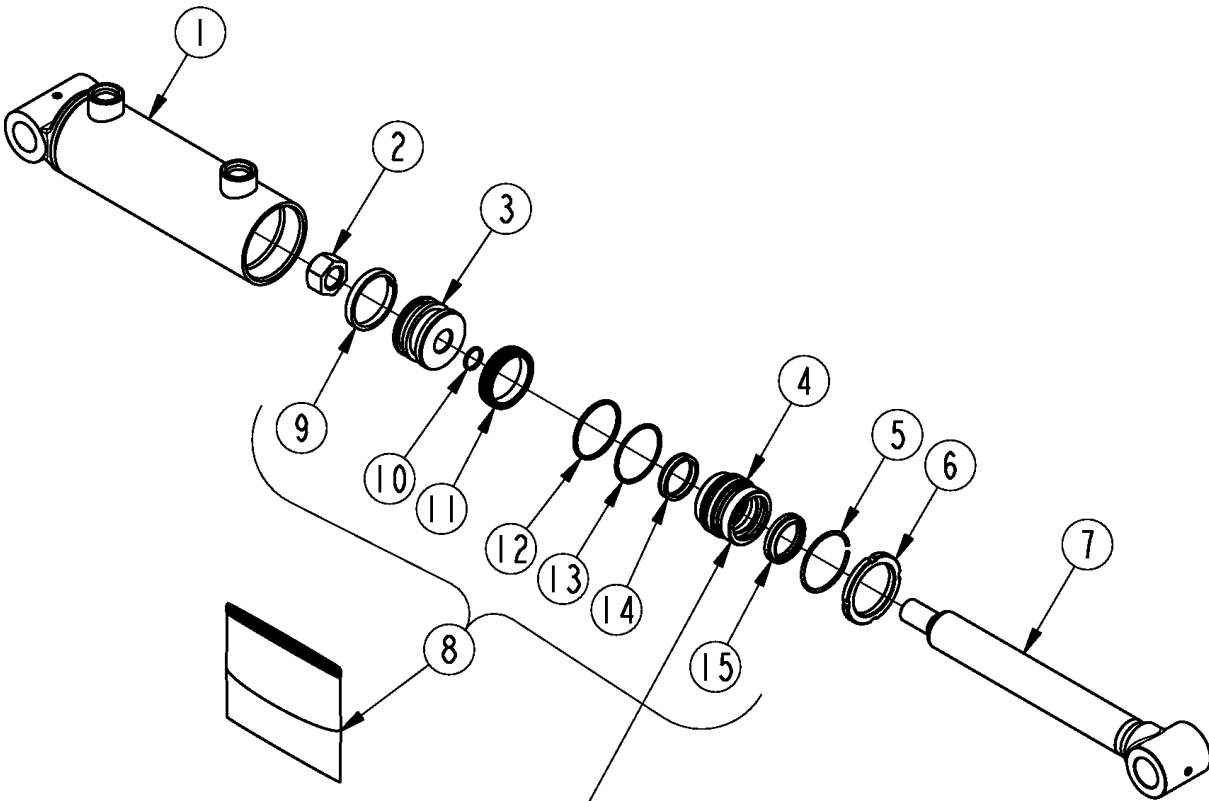
72866

Arrangement of Hydraulic Cylinders and Hoses**Applies to AP-BB3072, AP-BB3084, AP-BB3096**

| Ref | Part No. | Part Description | Comments | Revision |
|------------|-----------------|--------------------------------|-----------------|-----------------|
| | Dwg 72866 | Image No. | | |
| 1. | 301-651H | PIN, CYL HITCH PIVOT | | |
| 2. | 301-880D | PIN 1.0 X 4.63 | | |
| 3. | 301-892D | PIN 1.0 X 6.13 | | |
| 4. | 301-893D | PIN 1.0 X 4.79 | | |
| 5. | 800-001C | GREASE ZERK STRAIGHT 1/4-28 | | |
| 6. | 802-007C | HHCS 5/16-18X3/4 GR5 | | |
| 7. | 802-115C | HHCS 5/16-18X2 GR5 | | |
| 8. | 803-008C | NUT HEX 5/16-18 PLT | | |
| 9. | 803-011C | NUT LOCK 5/16-18 PLT | | |
| 10. | 804-009C | WASHER LOCK SPRING 5/16 PLT | | |
| 11. | 811-133C | AD 9/16MJIC 3/4MORB | | |
| 12. | 811-171C | EL 3/4MORB 9/16MJIC | | |
| 13. | 811-356C | TE 9/16MJIC BH 9/16MJIC 9/16MJ | | |
| 14. | 850-236C | CYL 2.5X5X1.25 ROD WLD | | |
| 15. | 850-338C | CYL, 3.0X6X1.5 ROD WELD | | |
| 16. | 851-870C | EL 45 3/4MORB 9/16MJIC | | |
| 17. | 861-315C | HH3/8R2 030 9/16FJIC 7/8MORB90 | | |
| 18. | 861-327C | HH3/8R2 23 7/8MORB909/16FJIC90 | | |
| 19. | 861-328C | HH1/4R2 017 9/16FJIC | | |
| 20. | 861-329C | HH1/4R2 012 9/16FJIC | | |
| 21. | 861-537C | HH3/8R2 030 9/16FJIC 7/8MORB90 | | |
| 22. | 861-538C | AD 7/8MORB 7/8FORB EXTENDER | | |

Hydraulic Cylinder (Energy 850-236C)

Applies to AP-BB3072, AP-BB3084, AP-BB3096



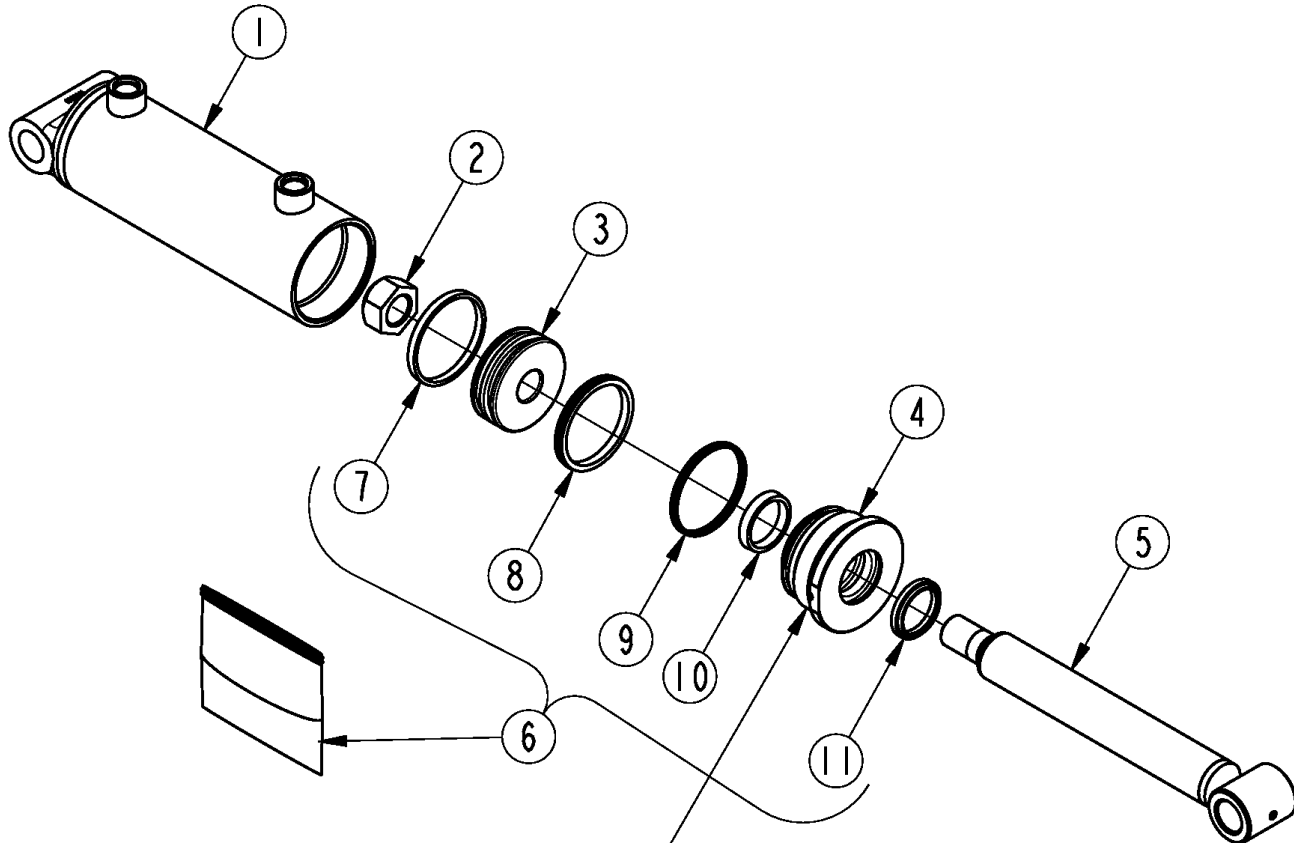
APPLY REMOVABLE (BLUE) THREAD LOCKING ADJESIVE TO THREADS

Hydraulic Cylinder (Energy 850-236C)**Applies to AP-BB3072, AP-BB3084, AP-BB3096**

| Ref | Part No. | Part Description | Comments | Revision |
|-----|-----------|--------------------------------|---------------------|----------|
| | Dwg 72844 | Image No. | | |
| | 850-236C | 2 PRIORITY PROPORTIONAL VALVE | | |
| 1. | 48311C | EGY CYL BODY 2.50ID W/C 48310C | | |
| 2. | 82464 | NUT LOCK REG 7/8-14 GR C AMTL | | |
| 3. | 16903B | EGY PISTON - 2.500 BORE | | |
| 4. | 15083B | EGY GUIDE 2.50 BORE - 1.25 ROD | | |
| 5. | ES0050/25 | EGY SEA; LOT FPR 850-236C | | |
| 6. | 14677A | SPANNER NUT 0.25 X 2.875 OD | | |
| 7. | 48313C | EGY ROD 1.25 W/C 48312B | | |
| 8. | 16779X | EGY SEAL KIT FOR 850-236C | Includes itesm 9-15 | |
| 9. | N/A | EGY WEAR RNG 2.50ODX0.25X0.125 | | |
| 10. | N/A | EGY ORING N 0.75X0.875 018 D70 | | |
| 11. | N/A | PSP PISTON SEAL 2.500 BORE | | |
| 12. | N/A | EGY ORING NT 2.52X2.50 228 | | |
| 13. | N/A | EGY BACKUP RING H 2.250X2.500 | | |
| 14. | N/A | EGY UCUP LIP 1.25X1.625X0.312 | | |
| 15. | N/A | EGY WIPER RING 1.250 DT SERIES | | |

Hydraulic Cylinder (Monarch 850-338C)

Applies to AP-BB3072, AP-BB3084, AP-BB3096



APPLY A DROP OF LOCTITE 243
3 PLACES 120 DEGREES APART
ON THE FIRST TWO THREADS OF
THE CYLINDER HEAD.

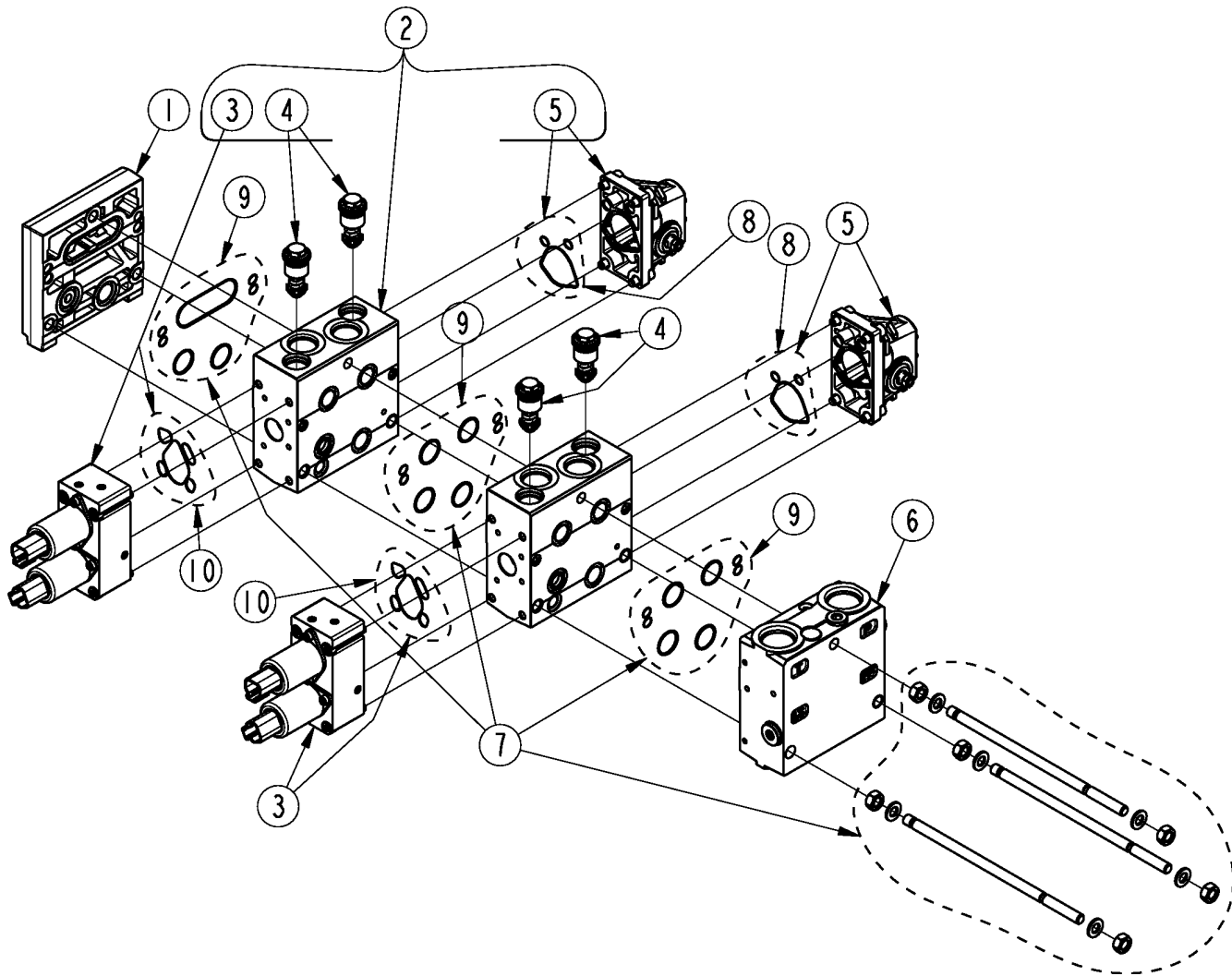
Hydraulic Cylinder (Monarch 850-338C)

Applies to AP-BB3072, AP-BB3084, AP-BB3096

No Parts List associated with this diagram

Valve 2 Priority Proportional (850-337C)

Applies to AP-BB3072, AP-BB3084, AP-BB3096



72845

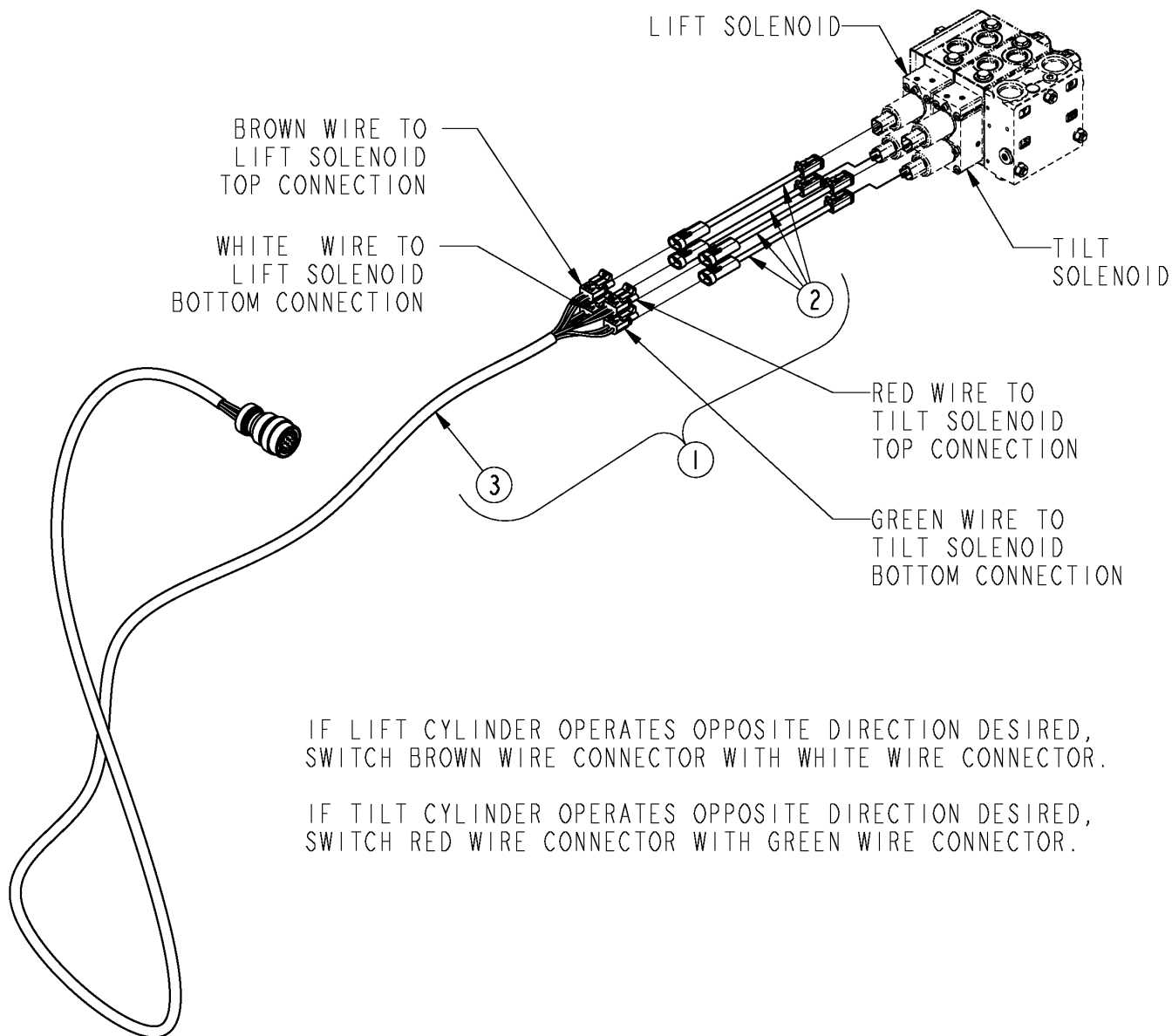
Valve 2 Priority Proportional (850-337C)

Applies to AP-BB3072, AP-BB3084, AP-BB3096

| Ref | Part No. | Part Description | Comments | Revision |
|------------|-----------------|-------------------------------|-----------------|-----------------|
| | Dwg 72845 | Image No. | | |
| | 850-337C | 2 PRIORITY PROPORTIONAL VALVE | | |
| 1. | 11153493 | DANFOSS END PLATE | | |
| 2. | 11228557 | DANFOSS LH/RH LIFT | | |
| 3. | 157B3171 | DANFOSS PVM | | |
| 4. | 157B2240 | DANFOSS PVLP | | |
| 5. | 11112038 | DANFOSS PVHC | | |
| 6. | 11228558 | DANFOSS INLET | | |
| 7. | 157B8002 | DANFOSS PVG 32 TIE RODS KIT | | |
| 8. | 11061235 | DANFOSS PVHC SEAL | | |
| 9. | 157B8999 | DANFOSS PVS 32 SEAL KIT | | |
| 10. | 157B3999 | DANFOSS PVM SEAL | | |

14 Pin Manual Control Harness (301-661A)

Applies to AP-BB3072, AP-BB3084, AP-BB3096



IF LIFT CYLINDER OPERATES OPPOSITE DIRECTION DESIRED,
SWITCH BROWN WIRE CONNECTOR WITH WHITE WIRE CONNECTOR.

IF TILT CYLINDER OPERATES OPPOSITE DIRECTION DESIRED,
SWITCH RED WIRE CONNECTOR WITH GREEN WIRE CONNECTOR.

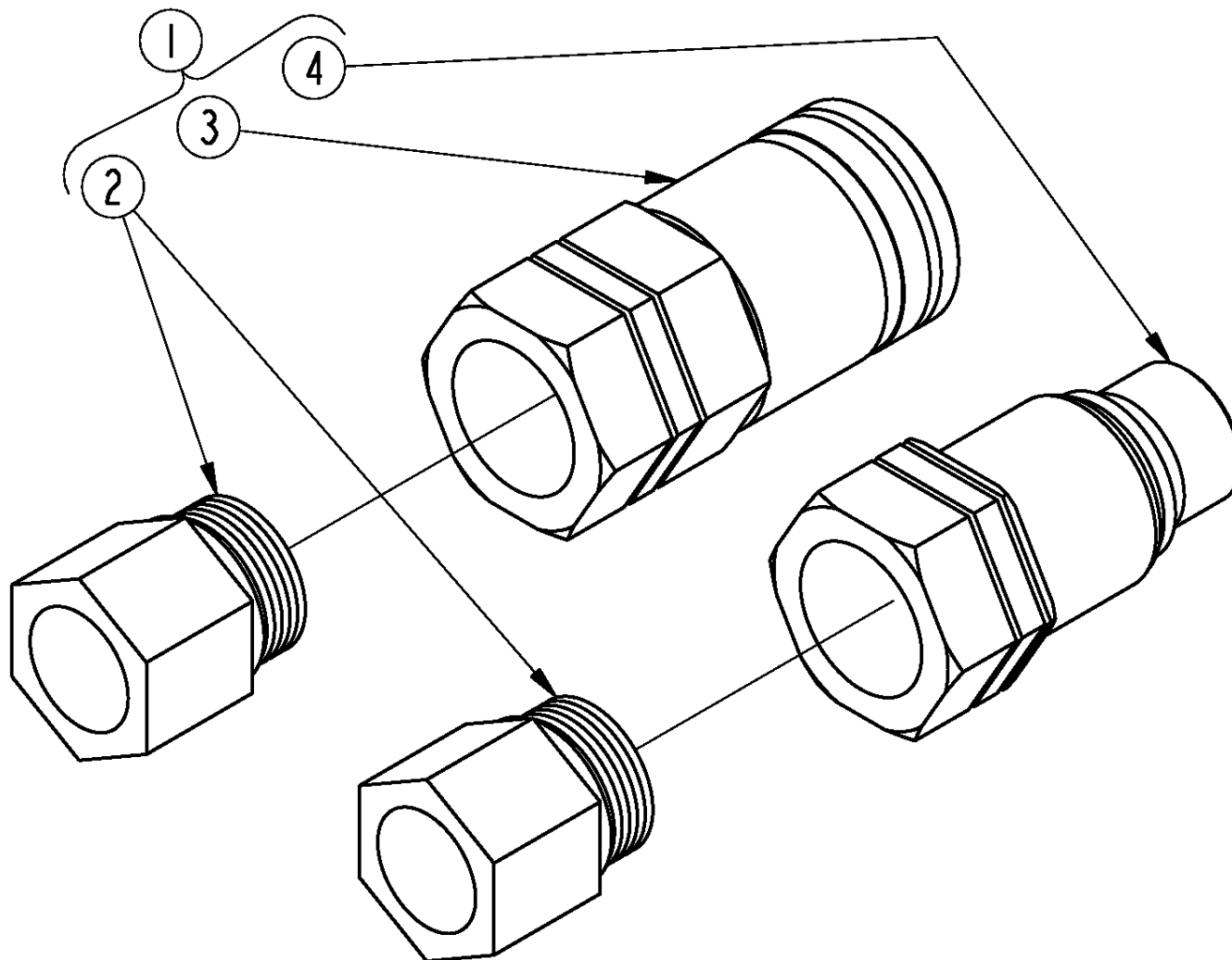
14 Pin Manual Control Harness (301-661A)

Applies to AP-BB3072, AP-BB3084, AP-BB3096

| Ref | Part No. | Part Description | Comments | Revision |
|------------|-----------------|--------------------------------|-------------------------------|-----------------|
| | Dwg 72885 | Image No. | | |
| 1. | 301-661A | 14 PIN MANUAL CONTROL | | |
| 2. | 823-131C | SHORT ADAPTER HARNESS | Assy 308-661A requires 4 each | |
| 3. | 823-417C | DEUTSCH HD30 14 PIN 2 FUNCTION | Assy 308-661A requires 1 each | |

Couplers Large Flat Faced

Applies to AP-BB3072, AP-BB3084, AP-BB3096



37715

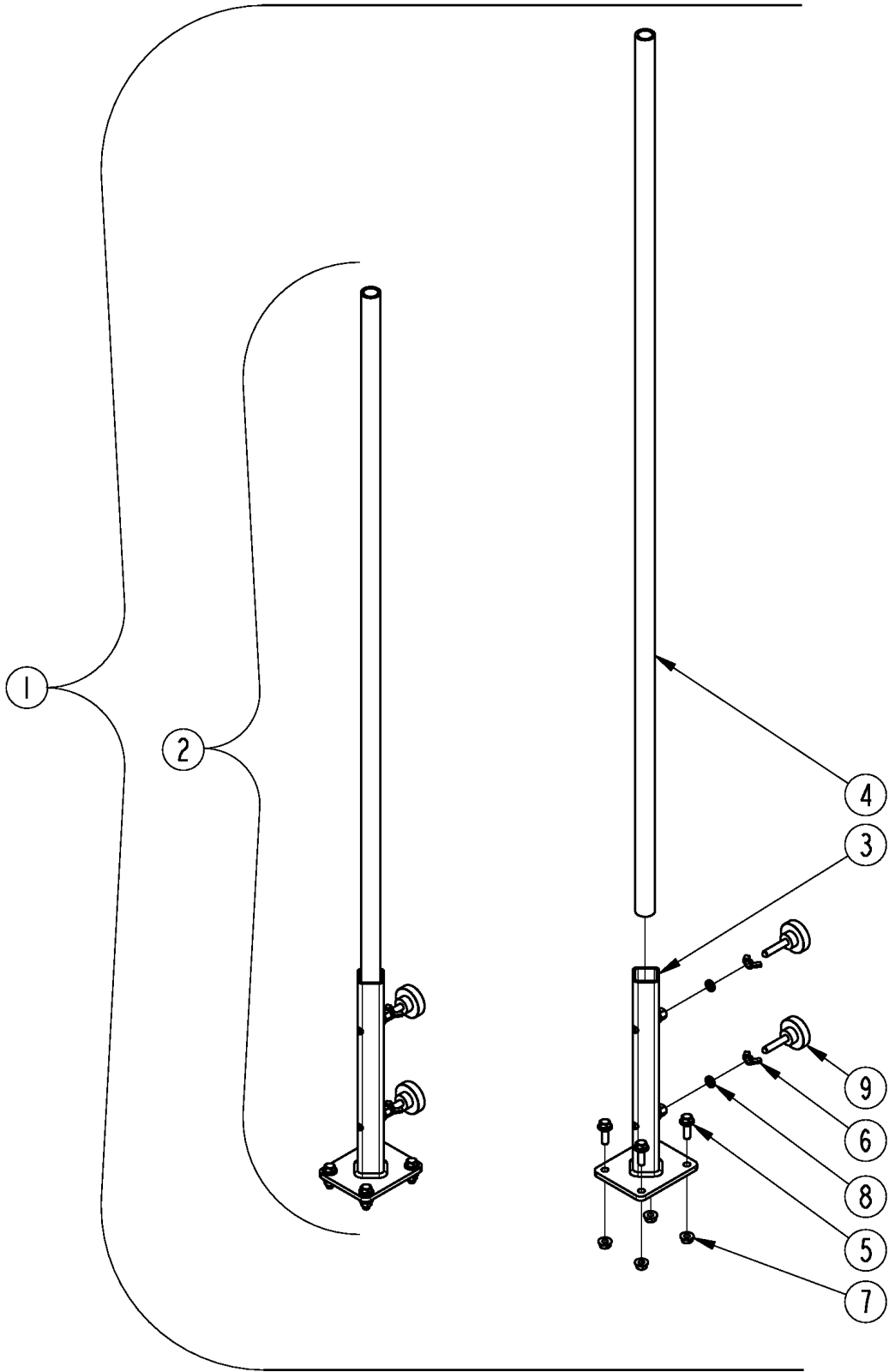
Couplers Large Flat Faced

Applies to AP-BB3072, AP-BB3084, AP-BB3096

| Ref | Part No. | Part Description | Comments | Revision |
|------------|-----------------|----------------------------|-----------------|-----------------|
| | Dwg 37715 | Drawing Image Number | | |
| 1. | 328-113A | Couplers, Large Flat Faced | | |
| 2. | 811-570C | AD 1 5/16MORB 1 1/16FORB | | |
| 3. | 841-957C | CP 1 5/16FORB FEMALE QD | | |
| 4. | 841-958C | CP 1 5/16FORB MALE QD | | |

Receiver Mast Assembly

Applies to AP-BB3072, AP-BB3084, AP-BB3096



72880

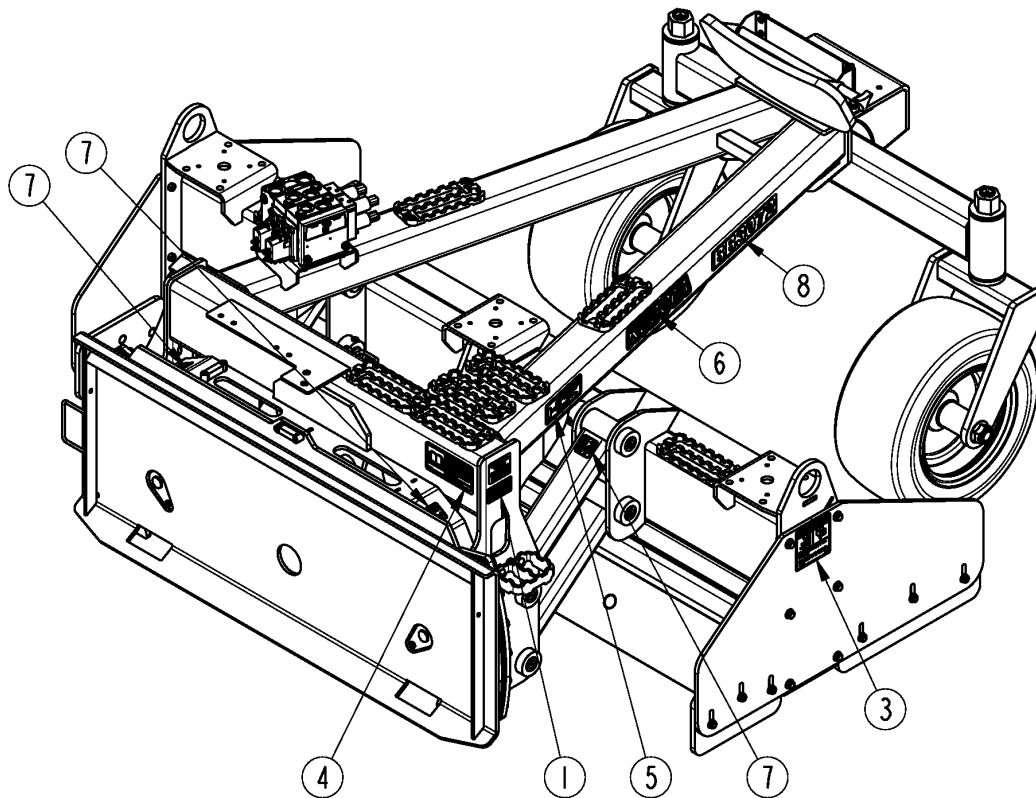
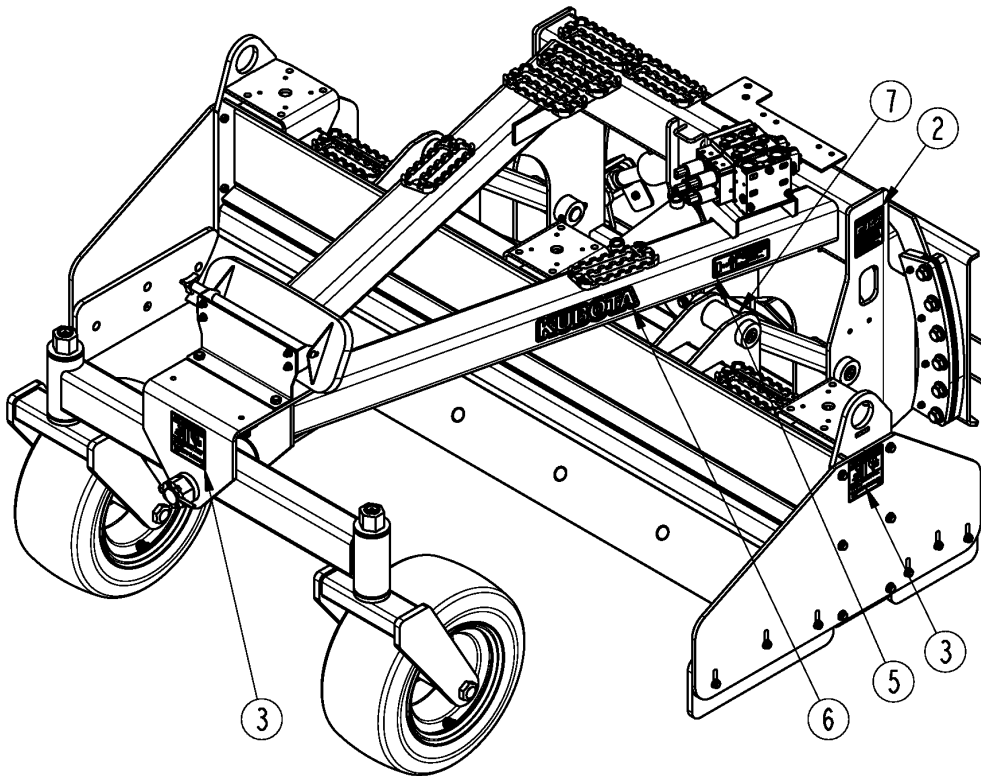
Receiver Mast Assembly

Applies to AP-BB3072, AP-BB3084, AP-BB3096

| Ref | Part No. | Part Description | Comments | Revision |
|------------|-----------------|--------------------------------|-----------------|-----------------|
| | Dwg 72880 | Image No. | | |
| 1. | 301-654A | 2 RECEIVER MAST ASY | | |
| 2. | 301-653L | RECEIVER MAST ASY | | |
| 3. | 301-637H | MAST MOUNT | | |
| 4. | 301-852D | MAST | | |
| 5. | 802-203C | HFSS 1/2-13X1 1/2 GR5 | | |
| 6. | 803-016C | NUT WING 1/2-13 PLT | | |
| 7. | 803-037C | NUT HEX WHIZ 1/2-13 PLT GR5 | | |
| 8. | 804-015C | WASHER LOCK SPRING 1/2 PLT | | |
| 9. | 837-280C | ROUND KNOB, 2.5L X 1/2-13 STUD | | |

Decal Placement

Applies to AP-BB3072, AP-BB3084, AP-BB3096



72882

Decal Placement

Applies to AP-BB3072, AP-BB3084, AP-BB3096

| Ref | Part No. | Part Description | Comments | Revision |
|------------|-----------------|--------------------------------|-----------------|-----------------|
| | Dwg 72882 | Image No. | | |
| 1. | 818-190C | DECAL FLAG | | |
| 2. | 818-339C | DECAL WARNING HIGH PRESSUR SML | | |
| 3. | 838-112C | DECAL DANGER PINCHING | | |
| 4. | 838-293C | DECAL WARNING READ MANUAL | | |
| 5. | 844-033C | DECAL, AUTOMATED MACHINERY | | |
| 6. | 858-398C | DECAL KUBOTA 10" | | |
| 7. | 858-765C | DECAL PIC--PINCH POINT | | |
| 8. | 858-987C | DECAL, BB3072 | | |
| 8. | 858-988C | DECAL, BB3084 | | |
| 8. | 858-989C | DECAL, BB3096 | | |

Kubota Touch-up Paints

Applies to AP-BB3072, AP-BB3084, AP-BB3096

No diagram associated with this Parts List

Kubota Touch-up Paints

Applies to AP-BB3072, AP-BB3084, AP-BB3096

| Ref | Part No. | Part Description | Comments | Revision |
|------------|-----------------|--------------------------|-----------------|-----------------|
| 1. | 821-070C | GLOSS BLACK SPRAY CAN | All Products | |
| 2. | 821-070CTU | GLOSS BLACK TOUCH-UP 5OZ | | |
| 3. | 821-070CQT | GLOSS BLACK QUART | | |
| 4. | 821-070CGL | GLOSS BLACK GALLON | | |



Part Number Index

The Part Number Index is a numeric index of all part numbers included in this manual. The index shows what page(s) the part is used on.

| <u>Part Number</u> | <u>Page</u> | <u>Part Number</u> | <u>Page</u> | <u>Part Number</u> | <u>Page</u> |
|--------------------|--------------|--------------------|-------------|--------------------|-------------|
| 11061235 | 25 | 802-236C | 7 | 861-328C | 19 |
| 11112038 | 25 | 802-258C | 9, 15 | 861-329C | 19 |
| 11153493 | 25 | 802-282C | 9 | 861-409C | 17 |
| 11228557 | 25 | 802-318C | 7 | 861-440C | 17 |
| 11228558 | 25 | 802-407C | 15 | 861-537C | 19 |
| 14677A | 21 | 802-466C | 7 | 861-538C | 19 |
| 15083B | 21 | 802-933C | 7 | 890-309C | 13 |
| 1527-1000 | 11 | 803-008C | 9, 19 | 891-515C | 9 |
| 1527-5783 | 11 | 803-011C | 13, 19 | 891-739C | 9 |
| 1527-7009 | 11 | 803-013C | 7 | 891-866C | 9, 11 |
| 1527-7643 | 11 | 803-016C | 31 | Dwg 37715 | 29 |
| 1527-7646 | 11 | 803-037C | 31 | Dwg 72844 | 21 |
| 1527-9266 | 11 | 803-064C | 9 | Dwg 72845 | 25 |
| 1527-9807 | 11 | 803-068C | 7 | Dwg 72862 | 15 |
| 157B2240 | 25 | 803-081C | 9 | Dwg 72863 | 9 |
| 157B3171 | 25 | 803-169C | 9 | Dwg 72864 | 7 |
| 157B3999 | 25 | 803-255C | 9, 15 | Dwg 72865 | 13 |
| 157B8002 | 25 | 803-258C | 9 | Dwg 72866 | 19 |
| 157B8999 | 25 | 803-301C | 9 | Dwg 72867 | 17 |
| 16779X | 21 | 803-304C | 7 | Dwg 72870 | 11 |
| 16903B | 21 | 804-007C | 9 | Dwg 72880 | 31 |
| 301-621H | 13 | 804-009C | 9, 17, 19 | Dwg 72882 | 33 |
| 301-622H | 9 | 804-015C | 15, 31 | Dwg 72885 | 27 |
| 301-623H | 9 | 804-035C | 9 | ES0050/25 | 21 |
| 301-627H | 9 | 804-088C | 9 | N/A | 21 |
| 301-629K | 9 | 804-182C | 9 | | |
| 301-633H | 13 | 805-148C | 9 | | |
| 301-636H | 15 | 811-133C | 19 | | |
| 301-637H | 31 | 811-171C | 19 | | |
| 301-638H | 7 | 811-356C | 19 | | |
| 301-639H | 7 | 811-408C | 17 | | |
| 301-640H | 7 | 811-570C | 29 | | |
| 301-642H | 7 | 814-681C | 9 | | |
| 301-643H | 7 | 818-190C | 33 | | |
| 301-644H | 7 | 818-339C | 33 | | |
| 301-651H | 19 | 820-035C | 7 | | |
| 301-653L | 31 | 820-043C | 7 | | |
| 301-654A | 31 | 820-046C | 7 | | |
| 301-661A | 27 | 821-070C | 35 | | |
| 301-691D | 15 | 821-070CGL | 35 | | |
| 301-809D | 7 | 821-070CQT | 35 | | |
| 301-810D | 7 | 821-070CTU | 35 | | |
| 301-811D | 7 | 823-131C | 27 | | |
| 301-846D | 9 | 823-417C | 27 | | |
| 301-852D | 31 | 82464 | 21 | | |
| 301-879D | 13 | 837-155C | 15 | | |
| 301-880D | 19 | 837-157C | 9 | | |
| 301-881D | 7 | 837-280C | 31 | | |
| 301-882D | 7 | 838-112C | 33 | | |
| 301-883D | 7 | 838-293C | 33 | | |
| 301-892D | 19 | 841-539C | 17 | | |
| 301-893D | 19 | 841-957C | 29 | | |
| 320-256D | 15 | 841-958C | 29 | | |
| 320-257D | 15 | 844-033C | 33 | | |
| 320-258D | 15 | 850-236C | 19, 21 | | |
| 320-259D | 15 | 850-337C | 17, 25 | | |
| 328-113A | 29 | 850-338C | 19 | | |
| 350-527D | 9 | 851-870C | 19 | | |
| 48311C | 21 | 851-947C | 17 | | |
| 48313C | 21 | 851-948C | 17 | | |
| 800-001C | 7, 9, 13, 19 | 858-398C | 33 | | |
| 801-274C | 9 | 858-765C | 33 | | |
| 801-276C | 15 | 858-987C | 33 | | |
| 802-004C | 9 | 858-988C | 33 | | |
| 802-007C | 17, 19 | 858-989C | 33 | | |
| 802-082C | 9 | 861-062C | 17 | | |
| 802-108C | 9 | 861-314C | 17 | | |
| 802-115C | 19 | 861-315C | 19 | | |
| 802-197C | 13 | 861-326C | 17 | | |
| 802-203C | 31 | 861-327C | 19 | | |

This Page Intentionally Left Blank



KUBOTA TRACTOR CORPORATION

1000 Kubota Drive, Grapevine, TX 76051

Telephone: (817) 756-1171

Western Division: 1175 S. Guild Ave., Lodi, CA 95240
Telephone: (209) 334-9910

Central Division: 14855 FAA Blvd., Fort Worth, TX 76155
Telephone: (817) 571-0900

Northern Division: 6300 at One Kubota Way, Groveport, OH 43125
Telephone: (614) 835-1100

Southeast Division: 1025 Northbrook Parkway, Suwanee, GA 30024
Telephone: (770) 995-8855

www.kubota.com
