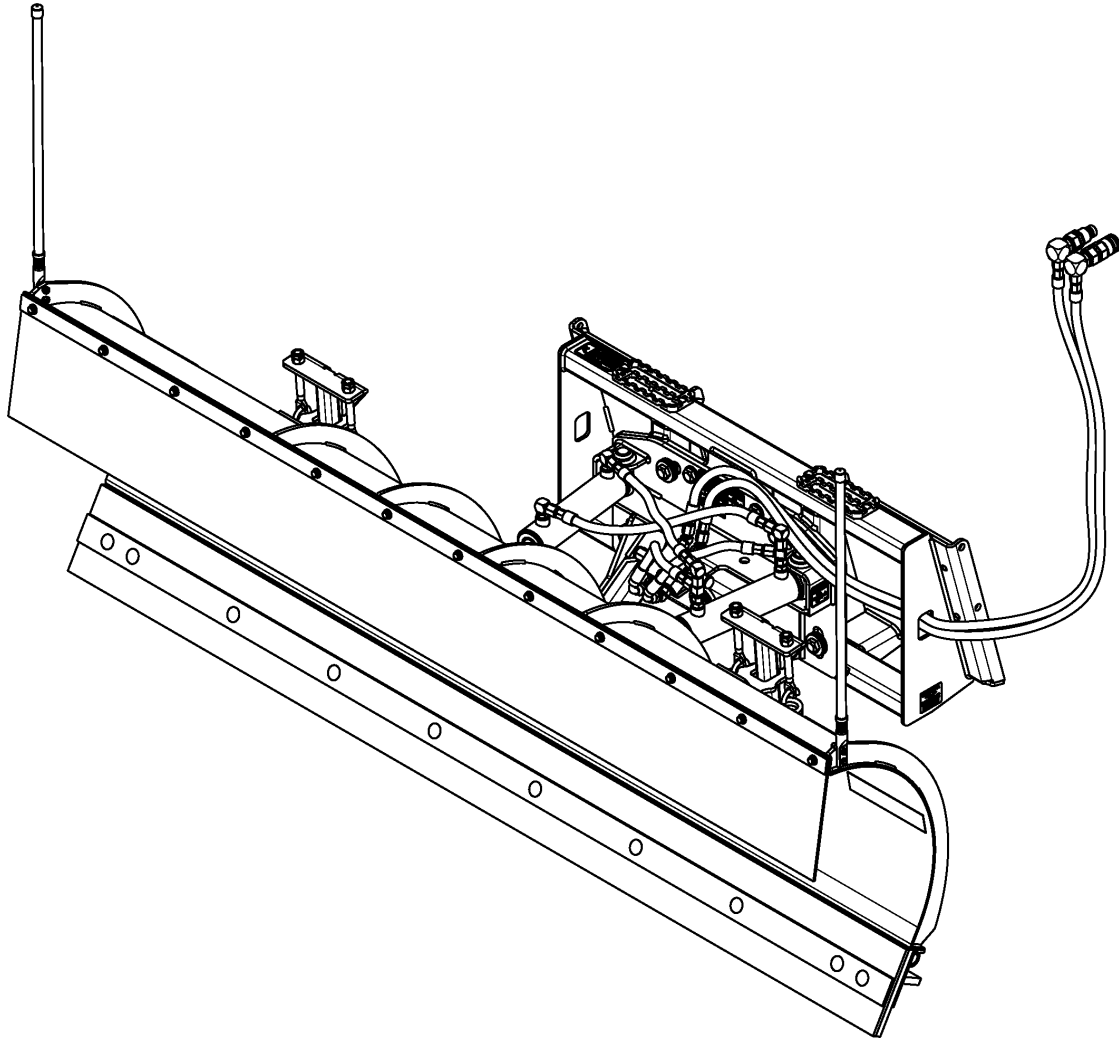


Trip Edge Blade

AP-TE3596 & AP-TE35108



70922

301-620PK
Parts Manual

Kubota®



Read the Operator's Manual entirely. When you see this symbol, the subsequent instructions and warnings are serious - follow without exception. Your life and the lives of others depend on it!

© Copyright 2019 Printed 04/12/19

Cover photo may show optional equipment not supplied with standard unit.



Table of Contents

Section 1: Introduction.....	4
Using This Manual.....	4
Manual Replacement Information.....	4
Manual Revisions.....	4
Touch-up Paint.....	4
Hardware Legend.....	5
Replacement Hardware.....	5
Serial Numbers.....	5
Part Number Service Coding.....	5
Section 2: Mainframes.....	6
Hitch.....	6
Moldboard.....	8
Section 3: Hydraulics.....	10
Hydraulic Components.....	10
Hydraulic Cylinder (850-102C).....	12
Section 4: Decals & Touch-Up Paint.....	14
Decal Placement.....	14
Kubota Touch-up Paints.....	16
Section 5: Options & Accessories.....	18
Cutting Edge Poly.....	18
Cutting Edge Steel.....	20
Deflector.....	22
Top Edge.....	22
Marker Edge.....	24
Part Number Index.....	26

© Copyright 2019. All rights reserved.

Kubota provides this publication “as is” without warranty of any kind, either expressed or implied. While every precaution has been taken in the preparation of this manual, Kubota assumes no responsibility for errors or omissions. Neither is any liability assumed for damages resulting from the use of the information contained herein. Kubota reserves the right to revise and improve its products as it sees fit. This publication describes the state of this product at the time of its publication, and may not reflect the product in the future. The illustrations in this manual are not intended for safe and proper assembly or disassembly of equipment. The illustrations are intended for ordering parts only.

Kubota is registered trademark.

All other brands and product names are trademarks or registered trademarks of their respective holders.

Printed in the United States of America.



Alphabetized Table of Contents

C

Cutting Edge Poly.....	18
Cutting Edge Steel.....	20

D

Decal Placement.....	14
Deflector, Top Edge.....	22

H

Hitch.....	6
Hydraulic Components.....	10
Hydraulic Cylinder (850-102C).....	12

K

Kubota Touch-up Paints.....	16
-----------------------------	----

M

Marker Edge.....	24
Moldboard.....	8

General Information

Using This Manual

This manual is divided into sections. The first section contains General Information. The remaining sections divide the machine into segments (i.e. Frames, Drives, Hydraulics, etc.) which illustrate and list all parts. A Parts Number Index is located at the back of the book.

The Kubota parts in this manual are specially designed for this machine and should be replaced with Kubota parts only.

The information in this manual is current at time of printing. Some parts may change to assure top performance.

Right-hand and left-hand as used in this manual are determined by facing the direction the machine will travel while in use.

Below is an example of two facing pages from a parts manual. Familiarize yourself with the type of information contained on these pages.

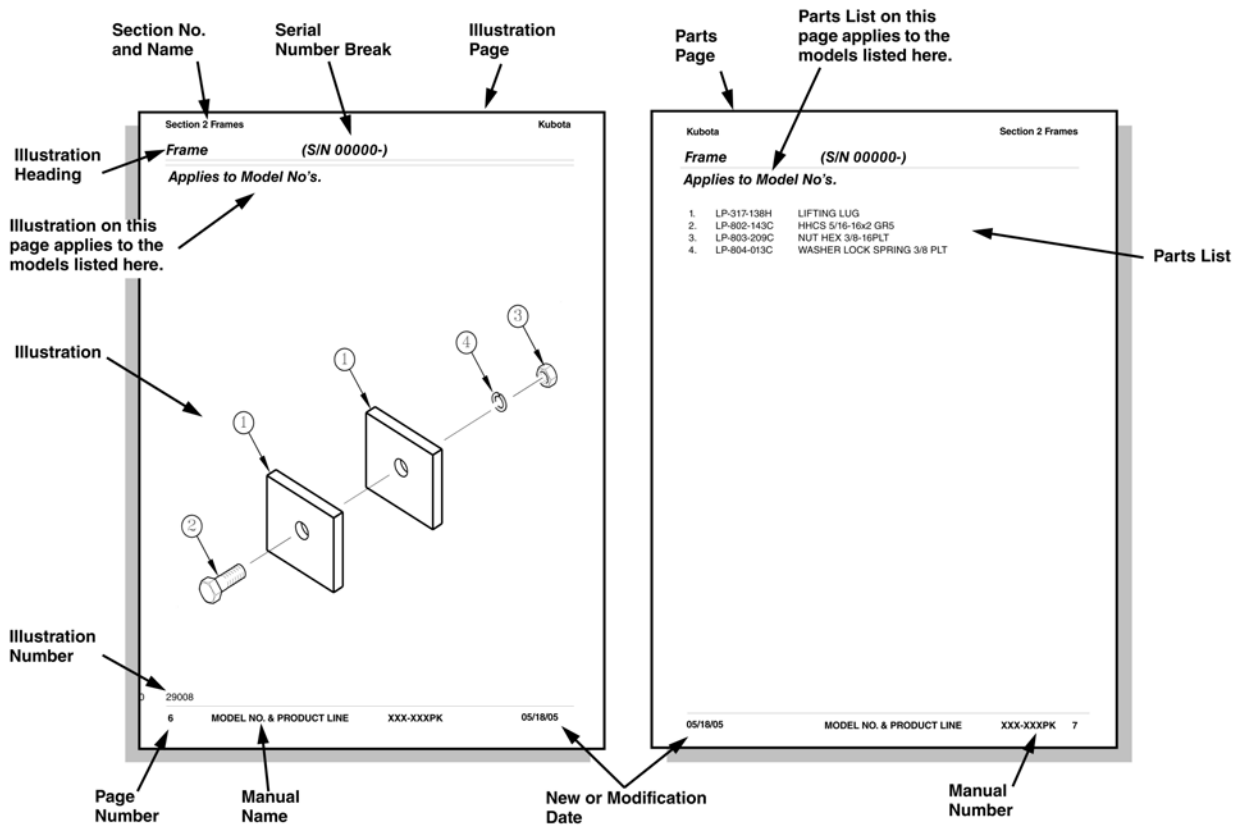
Manual Replacement Information

Replacement manuals are available. Refer to our website at www.landpride.com for additional information. Our website continues to provide the most up-to-date manuals available.

Touch-up Paint

Repaint parts where paint is worn or scratched to prevent rust. Aerosol cans and touch-up bottles with brush applicator are available through your local dealer. Also available are quart and gallon size paints. Add QT or GL to end of the Aerosol P/N.

Kubota color descriptions and part numbers are listed on the "Kubota Touch-up Paints" page in the "Decals" section of this book.



General Information

Hardware Legend

AR	As Required
BLADE	Blade Bolt
C	Cap Screw
CP	Cotter Pin
CPHSSS	Cup Point Hex Socket Set Screw
CPSHSS	Cup Point Square Head Set Screw
CPSQHSS	Cup Point Square Head Set Screw
CRFCHMS3	Cross Recess Flat Countersunk Head Machine Screw
CRPHMS	Cross Recess Pan Head Machine Screw
CRPHTFS	Cross Recess Pan Head Thread Forming
CRRHMS	Cross Recess Round Head Machine Screw
CRTHMS	Cross Recess Truss Head Machine Screw
CSNB	Countersunk Square Neck Bolt
FHMS	Flat Head Machine Screw
FTC	Full Thread Cap Screw
H	Hex Nut
HCLN	Hex Center Lock Nut
HFLCS	Hex Flange Lock Cap Screw
HFS	Hex Flange Screw
HFSLN	Hex Flange Serrated Lock Nut
HFSS	Hex Flange Serrated Screw
HHCS	Hex Head Cap Screw or Metric Bolt
HSBHCS	Hex Socket Button Head Cap Screw
HSFCHCS	Hex Socket Flat Countersunk Head Cap Screw
HSHCS	Hex Socket Head Cap Screw
HSSS	Hex Socket Head Screw
HTLN	Hex Top Lock Nut
HWHCS	Hex Washer Head Cap Screw

HWHMS	Hex Washer Head Machine Screw
HXBHCS	Hex Socket Button Head Cap Screw
J	Hex Jam Nut
JIC	37 Degree Tapered Thread
L	Helical Spring Lock Washer
LUG	Lug Bolt
NFC	National Fine Cap Screw
NPSM	National Pipe Straight Mechanical
NPTF	National Pipe Taper Fuel
P	Wide Plain Washer
PHMS	Pan Head Machine Screw
PLOW	Plow Bolt
RHMS	Round Head Machine Screw
RHSNB	Round Head Square Neck Bolt
SCREW LEVELING	Leveling Screw
SCREW THUMB	Thumb Screw
SCREW WELD	Weld Screw
SFCHMS	Slotted Flat Countersunk Head Machine Screw
SFHMS	Slotted Fillister Head Machine Screw
SP	Special
SP SCREW	Special Screw
SQHSS	Square Head Set Screw
SRHMS	Slotted Round Head Machine Screw
SSS	Socket Set Screw
STCS	Self Tapping Cap Screw
STHMS	Slotted Truss Head Machine Screw
WHEEL	Wheel Studs and Hub Long Bolts
WING	Wing Bolt

Replacement Hardware

The **Hardware Legend** above lists hardware abbreviations used in the parts list. All bolts and nuts are Grade 5 unless otherwise noted. The use of improper grades of hardware can result in personal injury, damage to equipment, or loss of property.

Part Number Service Coding

Within the parts list some part numbers are coded for revisions and interchangeability. See notations in revision column.

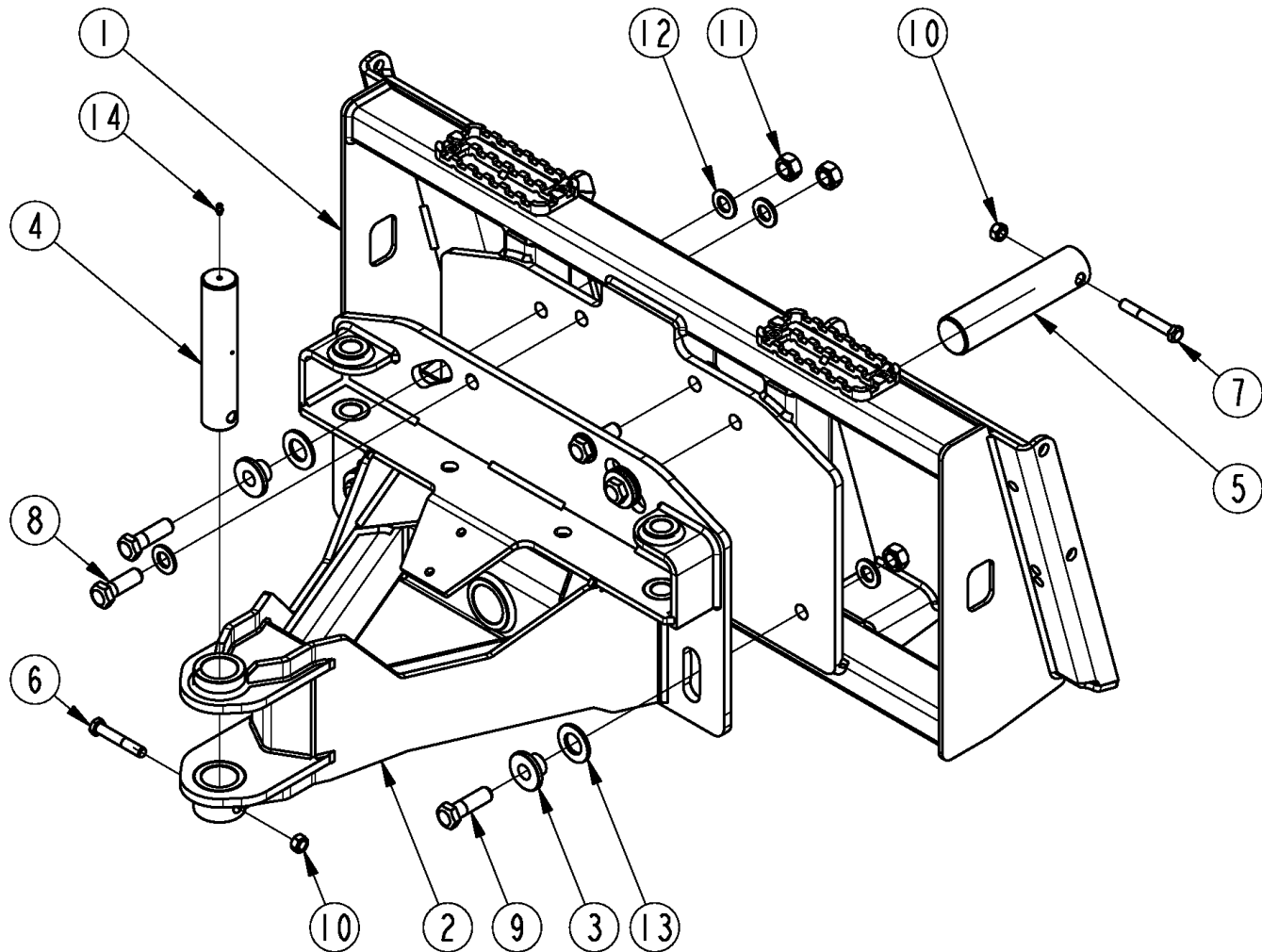
Serial Numbers

Always use the serial and model number when ordering parts. Refer to the Operator's Manual for serial number plate location.

- (S/N 20001+) Includes serial numbers 20001 and above (to the latest number)
- (S/N 10001 to 20000) Includes serial numbers between and including 10001 and 20000
- (S/N 10000-) Includes serial numbers 10000 and below (to the earliest number)

Hitch

Applies to AP-TE35108, AP-TE3596



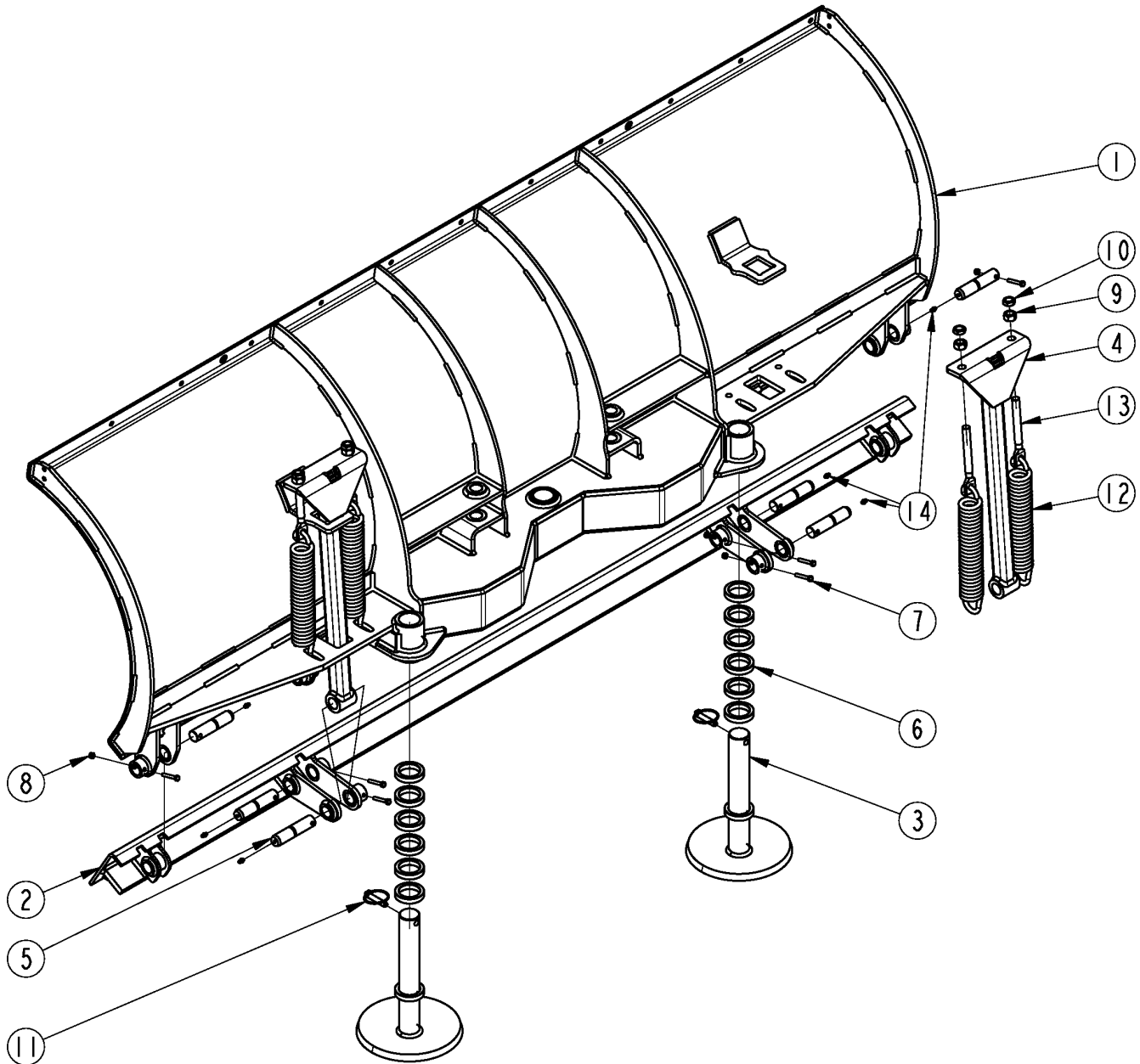
70930

Hitch**Applies to AP-TE35108, AP-TE3596**

Ref	Part No.	Part Description	Comments	Revision
	Dwg 70930	Image No.		
1.	301-567H	HITCH, TE35		
2.	301-568H	FRAME, TE35		
3.	301-601D	FLOAT BUSHING		
4.	301-619V	PIVOT PIN	Includes zerk #14	
5.	301-725D	FLOAT PIN		
6.	802-039C	HHCS 1/2-13X3 GR5		
7.	802-041C	HHCS 1/2-13X3 1/2 GR5		
8.	802-065C	HHCS 3/4-10X2 1/4 GR5		
9.	802-212C	HHCS 3/4-10X2 1/2 GR5		
10.	803-019C	NUT LOCK 1/2-13 PLT		
11.	803-026C	NUT LOCK 3/4-10 PLT		
12.	804-025C	WASHER FLAT 3/4 SAE PLT		
13.	804-147C	WASHER FLAT 1" HARDENED		
14.	800-001C	GREASE ZERK STRAIGHT 1/4-28		

Moldboard

Applies to AP-TE35108, AP-TE3596



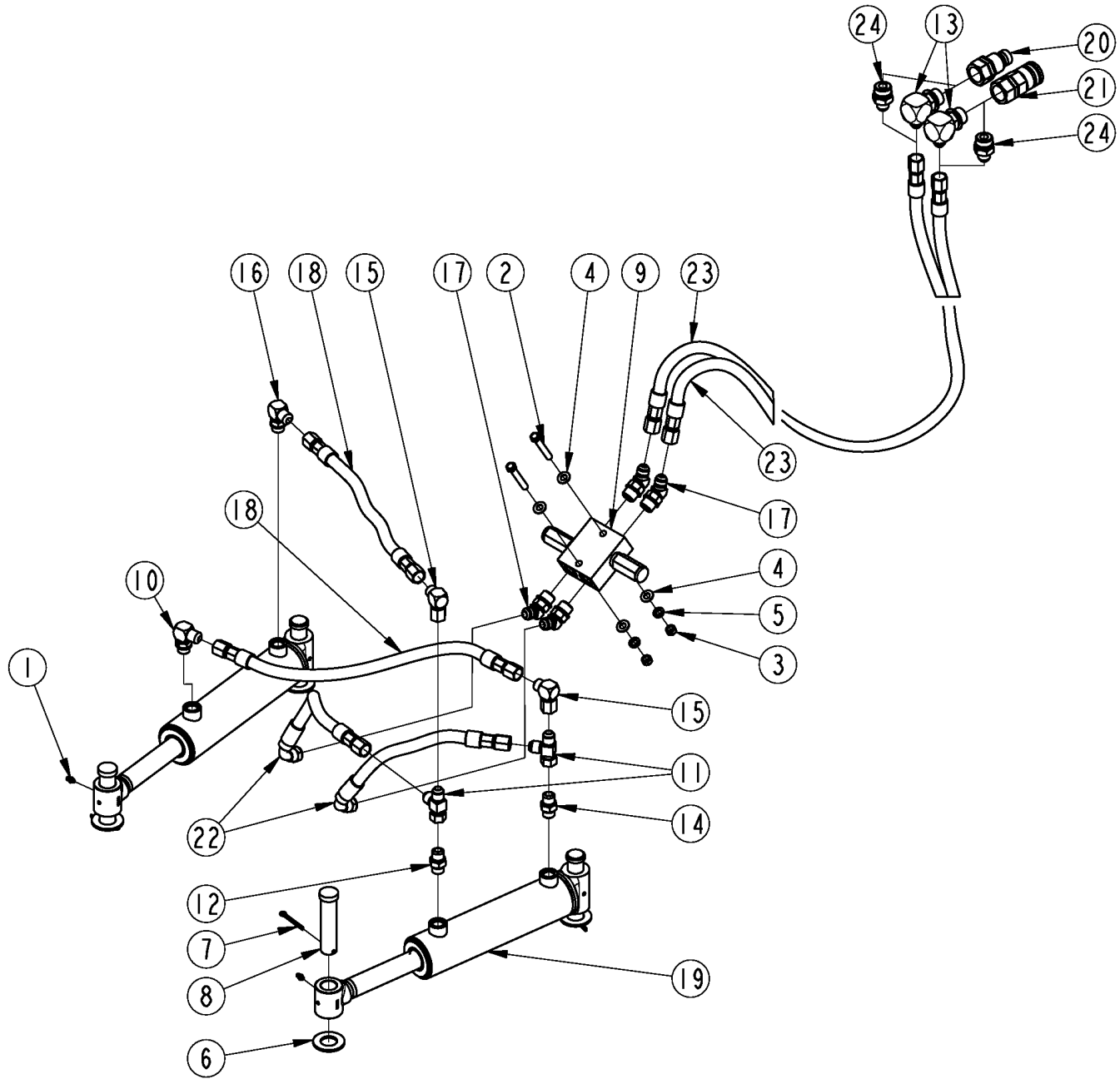
70923

Moldboard**Applies to AP-TE35108, AP-TE3596**

Ref	Part No.	Part Description	Comments	Revision
	Dwg 70923	Image No.		
1.	301-569H	TRIP EDGE MOLDBOARD, 96		
1.	301-570H	TRIP EDGE MOLDBOARD, 108		
2.	301-577H	TRIP EDGE 96		
2.	301-573H	TRIP EDGE 108		
3.	301-596H	SKID SHOE		
4.	301-597H	SPRING TRIP LINKAGE		
5.	301-602V	PIN CLVS 1.0X4.03 USBL	Includes grease zerk	
6.	301-780D	SKID SHOE SPACER		
7.	802-370C	HHCS 1/4-20X1 3/4 GR5		
8.	803-007C	NUT LOCK 1/4-20 PLT		
9.	803-021C	NUT HEX 5/8-11 PLT		
10.	803-023C	NUT HEX JAM 5/8-11 PLT		
11.	805-341C	PIN LINCX 7/16 X 2		
12.	807-379C	SPRING EXT 2.0ODX.363X12.5		
13.	842-418C	SPADE BOLT 5/8-11X6 GR2 PLT		
14.	800-001C	GREASE ZERK STRAIGHT 1/4-28		

Hydraulic Components

Applies to AP-TE35108, AP-TE3596



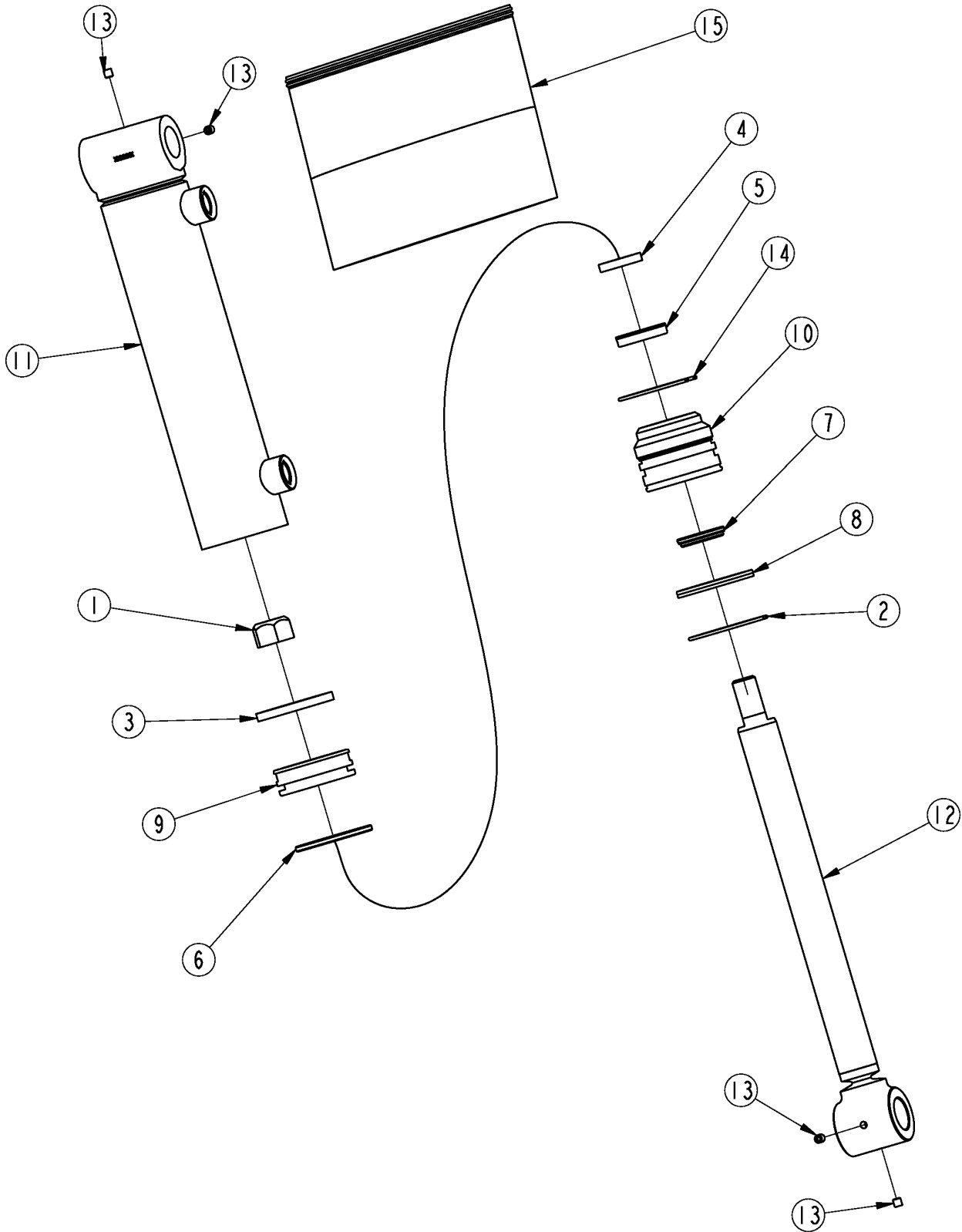
70933

Hydraulic Components**Applies to AP-TE35108, AP-TE3596**

Ref	Part No.	Part Description	Comments	Revision
	Dwg 70933	Image No.		
1.	800-001C	GREASE ZERK STRAIGHT 1/4-28		
2.	802-114C	HHCS 3/8-16X2 1/2 GR5		
3.	803-014C	NUT HEX 3/8-16 PLT		
4.	804-012C	WASHER FLAT 3/8 SAE PLT		
5.	804-013C	WASHER LOCK SPRING 3/8 PLT		
6.	804-029C	WASHER FLAT 1 SAE		
7.	805-017C	PIN COTTER 3/16 X 1 3/4 PLT		
8.	805-586C	PIN CLVS 1.0X3.88 USBL		
9.	810-385C	VALVE CYLINDER CUSHION 1600PSI		
10.	811-063C	EL 3/4MJIC 3/4MORB		
11.	811-073C	TE 3/4MJIC 3/4MJIC 3/4FJIC		
12.	811-088C	AD 3/4MORB 3/4MJIC		
13.	811-091C	EL 3/4MJIC 1 1/16MORB	Or #24 depending on mount style	
14.	811-114C	ORAD 5/64 3/4MJIC 3/4MORB		
15.	811-150C	EL 3/4FJIC 3/4MJIC		
16.	811-153C	OREL 1/16 3/4MJIC 3/4MORB		
17.	811-778C	EL 45 7/8MORB 3/4MJIC		
18.	841-776C	HH3/8R2 025 3/4FJIC SLVNG		
19.	850-102C	CYL 2.5X8X1.25 ROD WLD		
20.	851-947C	CUP 1 1/16FORB MALE QUICK CPLR		
21.	851-948C	CUP 1 1/16FORB FML QUICK CPLR		
22.	861-237C	HH3/8R16 018 3/4FJIC(1 90) SLV		
23.	861-244C	HH1/2R2 080 3/4FJIC SLV		
24.	811-205C	AD 3/4MJIC 1 1/16MORB	Or #13 depending on mount style	

Hydraulic Cylinder (850-102C)

Applies to AP-TE35108, AP-TE3596



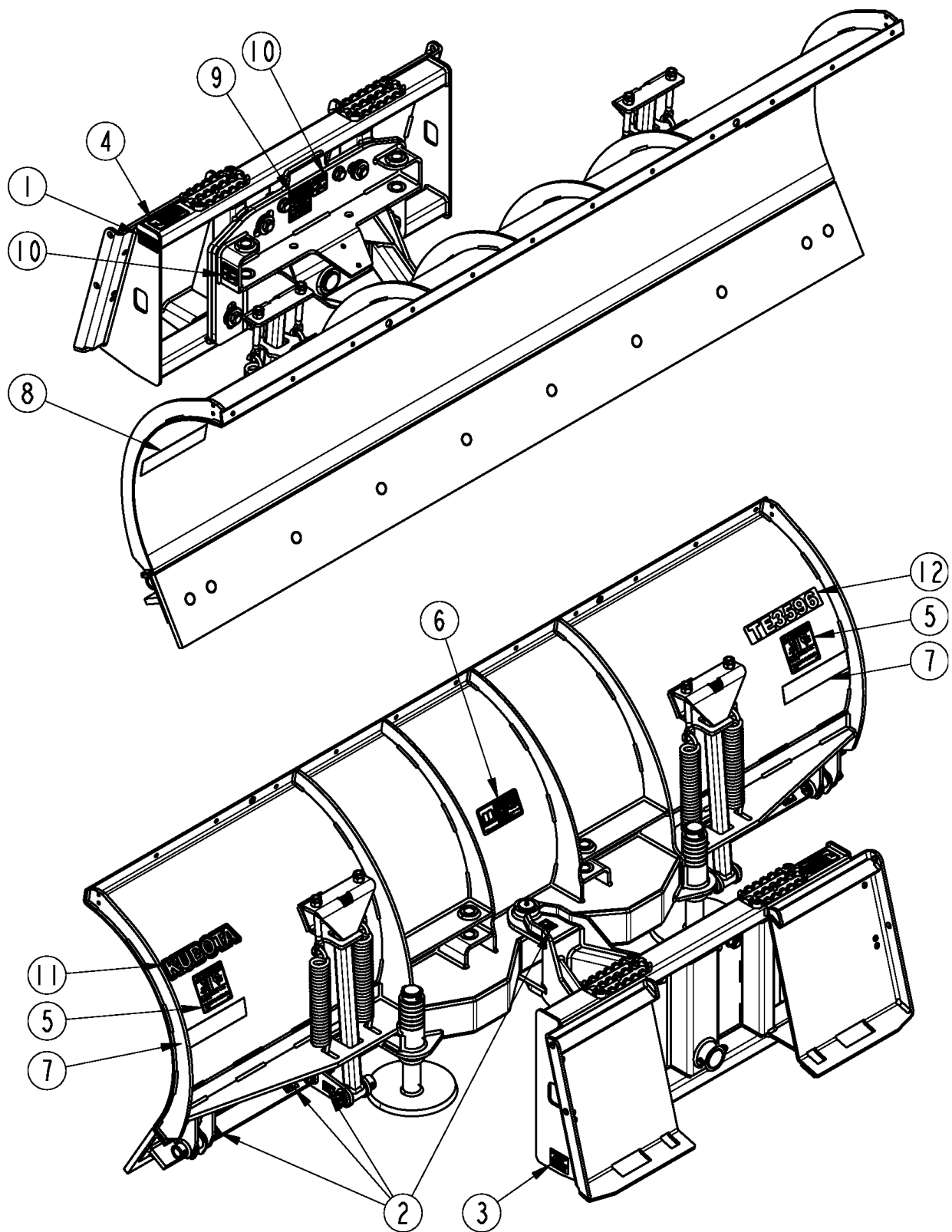
39622

Hydraulic Cylinder (850-102C)**Applies to AP-TE35108, AP-TE3596**

Ref	Part No.	Part Description	Comments	Revision
	Dwg 39622 850-102C	Image No. CYL 2.5X8X1.25 ROD WLD *		
1.	130556	MON PISTON NUT		
2.	138098	MON RETAINING RING EXTRNL 2.50		
3.	N/A	MON WEAR RING 2.50-2.38-0.250	Availabel only in Kit #15	
4.	N/A	MON WEAR RING 1.37-1.25-0.250	Availabel only in Kit #15	
5.	N/A	MON SEAL ZURCON U-CUP RU9 1.25	Availabel only in Kit #15	
6.	N/A	MON SEAL ZURCON GLYD RING 2.5	Availabel only in Kit #15	
7.	N/A	MON SEAL WIPER 1.25 SNAP IN DA	Availabel only in Kit #15	
8.	N/A	MON SEAL DUAL 2.50 Z20 PU	Availabel only in Kit #15	
9.	258818	MON PISTON2.50-.750-TSS-ISO-WR		
10.	258872	MON CYL HEAD 2.50-1.25-RR-TSS		
11.	498649	MON TUBE WELDT 1.25-8.00		
12.	498650	MON ROD WELDT 1.25-8.00		
13.	801-045C	SCREW SET 1/4-28X1/4 KNL CUP		
14.	M138011	MON RETAINING RING INTRNL 2.50		
15.	850-191C	MON SEAL KIT 649199	Includes Items 3 through 8	

Decal Placement

Applies to AP-TE35108, AP-TE3596



70934

Decal Placement

Applies to AP-TE35108, AP-TE3596

Ref	Part No.	Part Description	Comments	Revision
	Dwg 70934	Image No.		
1.	818-190C	DECAL FLAG		
2.	818-298C	DECAL GREASE 25HRS BLACK/WHITE		
3.	819-213C	ID PLATE, KUBOTA		
4.	838-102C	DECAL WARNING FALLING HAZARD		
5.	838-112C	DECAL DANGER PINCHING		
6.	838-293C	DECAL WARNING READ MANUAL		
7.	838-614C	DECAL REFLECTOR RED 2X9		
8.	838-615C	DECAL REFLECTOR AMBER 2X9		
9.	848-747C	DECAL HIGH PRESSURE FLUIDS		
10.	858-148C	DECAL PIC--PINCH POINT		
11.	858-398C	DECAL KUBOTA 10"		
12.	858-919C	DECAL TE3596 WHITE		
12.	858-920C	DECAL TE35108 WHITE		

Kubota Touch-up Paints

Applies to AP-TE35108, AP-TE3596

No diagram associated with this Parts List

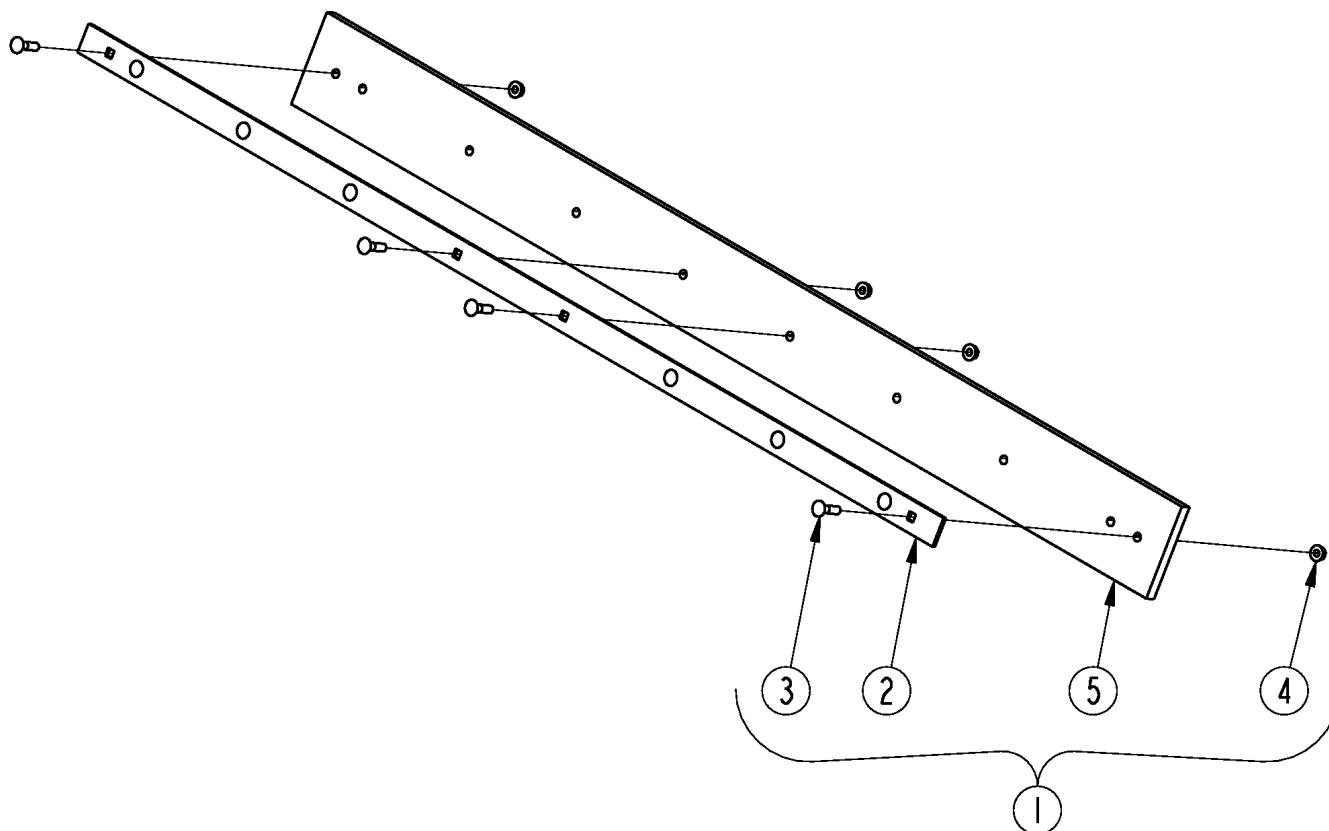
Kubota Touch-up Paints

Applies to AP-TE35108, AP-TE3596

Ref	Part No.	Part Description	Comments	Revision
1.	821-070C	GLOSS BLACK SPRAY CAN	All Products	
2.	821-070CTU	GLOSS BLACK TOUCH-UP 5OZ		
3.	821-070CQT	GLOSS BLACK QUART		
4.	821-070CGL	GLOSS BLACK GALLON		

Cutting Edge Poly

Applies to AP-TE35108, AP-TE3596



70935

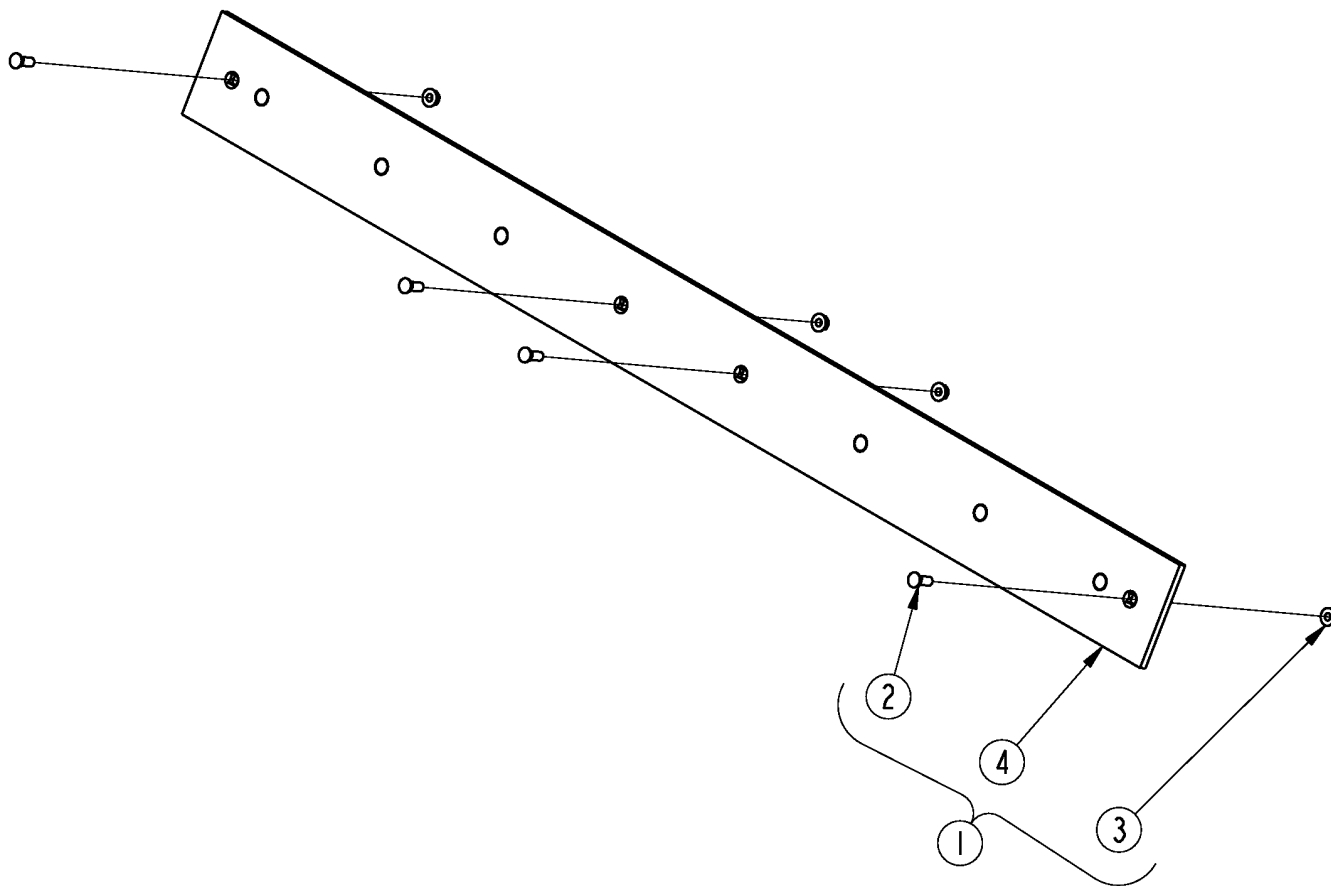
Cutting Edge Poly

Applies to AP-TE35108, AP-TE3596

Ref	Part No.	Part Description	Comments	Revision
	Dwg 70935	Image No.		
1.	301-605A	POLY CUTTING EDGE ASSY 96		
1.	301-606A	POLY CUTTING EDGE ASSY 108		
2.	301-739D	POLY BLADE STRAP 96"		
2.	301-738D	POLY BLADE STRAP 108"		
3.	802-521C	RHSNB 5/8-11X2 1/2 GR5		
4.	803-304C	NUT HEX WHIZ 5/8-11 PLT		
5.	837-169C	POLY CUTTING EDGE 96"		
5.	837-170C	POLY CUTTING EDGE 108"		

Cutting Edge Steel

Applies to AP-TE35108, AP-TE3596



70936

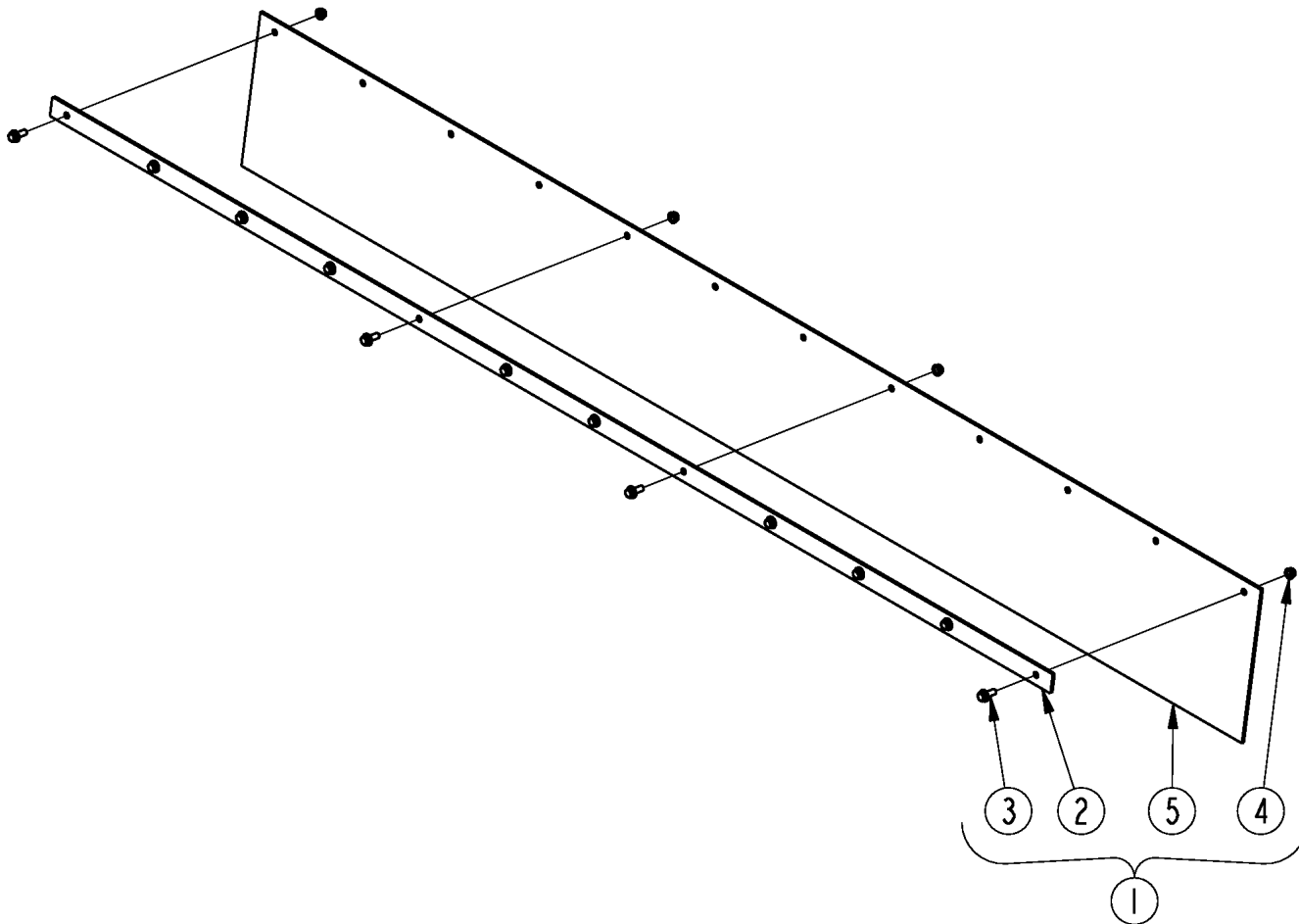
Cutting Edge Steel

Applies to AP-TE35108, AP-TE3596

Ref	Part No.	Part Description	Comments	Revision
	Dwg 70936	Image No.		
1.	301-603A	STEEL CUTTING EDGE ASSY 96		
1.	301-604A	STEEL CUTTING EDGE ASSY 108		
2.	802-206C	PLOW 5/8-11X1 3/4 GR5		
3.	803-304C	NUT HEX WHIZ 5/8-11 PLT		
4.	820-682C	STEEL CUTTING EDGE 5/8X8X96		
4.	820-683C	STEEL CUTTING EDGE 5/8X8X108		

Deflector, Top Edge

Applies to AP-TE35108, AP-TE3596



70937

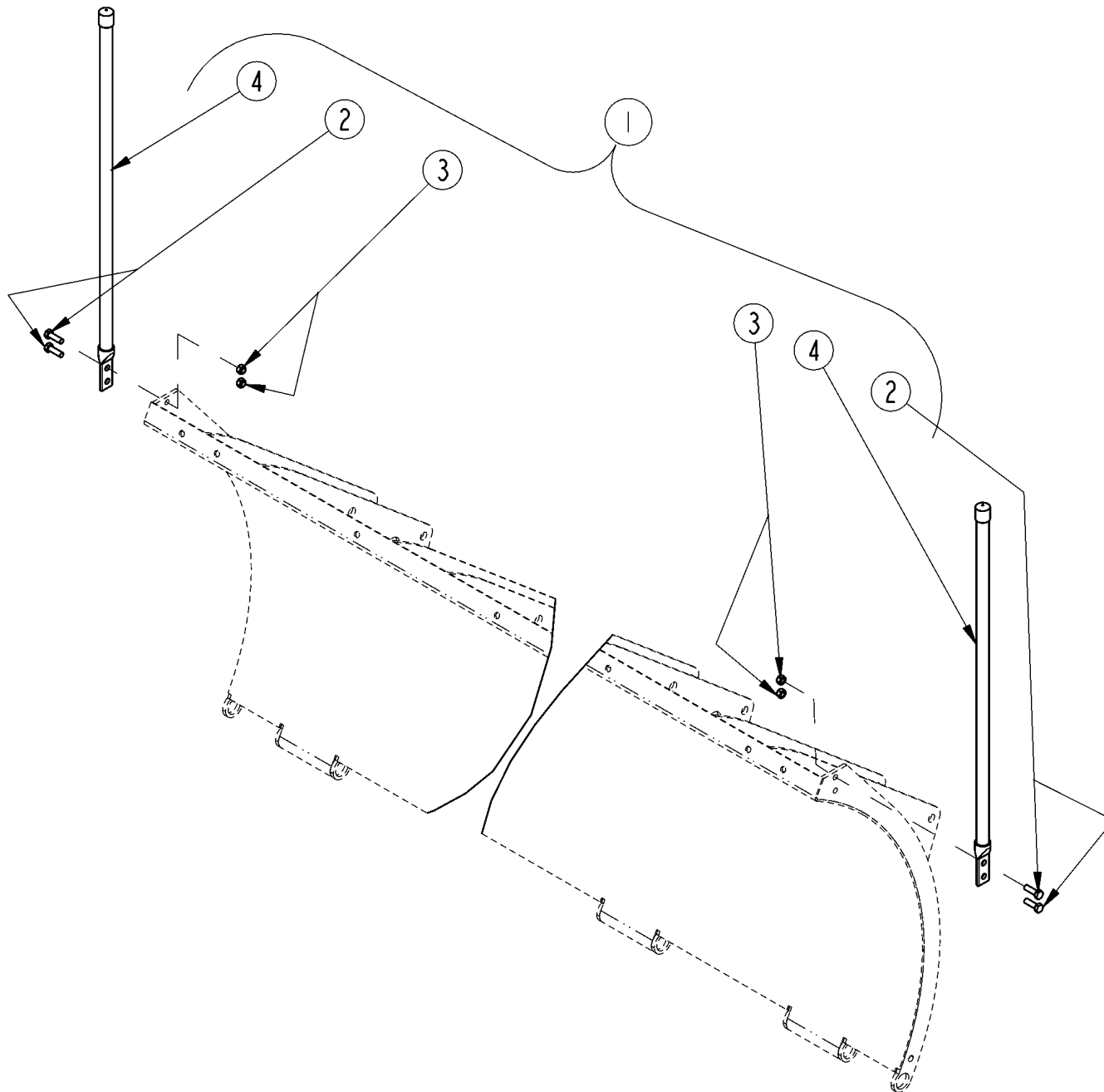
Deflector, Top Edge

Applies to AP-TE35108, AP-TE3596

Ref	Part No.	Part Description	Comments	Revision
	Dwg 70937	Image No.		
1.	301-607A	TRIP EDGE DEFLECTOR FLAP 96		
1.	301-608A	TRIP EDGE DEFLECTOR FLAP 108		
2.	301-573D	DEFLECTOR STRAP 96"		
2.	301-737D	DEFLECTOR STRAP 108"		
3.	802-388C	HFS 3/8-16X1 GR5		
4.	803-209C	NUT FLANGE LOCK 3/8-16 PLT		
5.	816-912C	TRIP EDGE DEFLECTOR FLAP 96		
5.	816-913C	TRIP EDGE DEFLECTOR FLAP 108		

Marker Edge

Applies to AP-TE35108, AP-TE3596



26906

Marker Edge

Applies to AP-TE35108, AP-TE3596

Ref	Part No.	Part Description	Comments	Revision
	Dwg 26906	Drawing Image Number		
1.	323-026A	CABLE FILLED ORANGE MARKER 30"	S/N 865896+	
1.	301-290A	RPBY 323-026A	S/N 865895-	
2.	802-159C	HHCS 5/16-18X1 GR5		
3.	803-084C	NUT HEX NYLOCK 5/16-18 PLT		
4.	N/A	MARKER ORANGE 28"		



Part Number Index

The Part Number Index is a numeric index of all part numbers included in this manual. The index shows what page(s) the part is used on.

Part Number	Page	Part Number	Page
130556	13	811-778C	11
138098	13	816-912C	23
258818	13	816-913C	23
258872	13	818-190C	15
301-290A	25	818-298C	15
301-567H	7	819-213C	15
301-568H	7	820-682C	21
301-569H	9	820-683C	21
301-570H	9	821-070C	17
301-573D	23	821-070CGL	17
301-573H	9	821-070CQT	17
301-577H	9	821-070CTU	17
301-596H	9	837-169C	19
301-597H	9	837-170C	19
301-601D	7	838-102C	15
301-602V	9	838-112C	15
301-603A	21	838-293C	15
301-604A	21	838-614C	15
301-605A	19	838-615C	15
301-606A	19	841-776C	11
301-607A	23	842-418C	9
301-608A	23	848-747C	15
301-619V	7	850-102C	11, 13
301-725D	7	850-191C	13
301-737D	23	851-947C	11
301-738D	19	851-948C	11
301-739D	19	858-148C	15
301-780D	9	858-398C	15
323-026A	25	858-919C	15
498649	13	858-920C	15
498650	13	861-237C	11
800-001C	7, 9, 11	861-244C	11
801-045C	13	Dwg 26906	25
802-039C	7	Dwg 39622	13
802-041C	7	Dwg 70923	9
802-065C	7	Dwg 70930	7
802-114C	11	Dwg 70933	11
802-159C	25	Dwg 70934	15
802-206C	21	Dwg 70935	19
802-212C	7	Dwg 70936	21
802-370C	9	Dwg 70937	23
802-388C	23	M138011	13
802-521C	19	N/A	13, 25
803-007C	9		
803-014C	11		
803-019C	7		
803-021C	9		
803-023C	9		
803-026C	7		
803-084C	25		
803-209C	23		
803-304C	19, 21		
804-012C	11		
804-013C	11		
804-025C	7		
804-029C	11		
804-147C	7		
805-017C	11		
805-341C	9		
805-586C	11		
807-379C	9		
810-385C	11		
811-063C	11		
811-073C	11		
811-088C	11		
811-091C	11		
811-114C	11		
811-150C	11		
811-153C	11		
811-205C	11		

This Page Intentionally Left Blank



KUBOTA TRACTOR CORPORATION

1000 Kubota Drive, Grapevine, TX 76051

Telephone: (817) 756-1171

Western Division: 1175 S. Guild Ave., Lodi, CA 95240
Telephone: (209) 334-9910

Central Division: 14855 FAA Blvd., Fort Worth, TX 76155
Telephone: (817) 571-0900

Northern Division: 6300 at One Kubota Way, Groveport, OH 43125
Telephone: (614) 835-1100

Southeast Division: 1025 Northbrook Parkway, Suwanee, GA 30024
Telephone: (770) 995-8855

www.kubota.com
