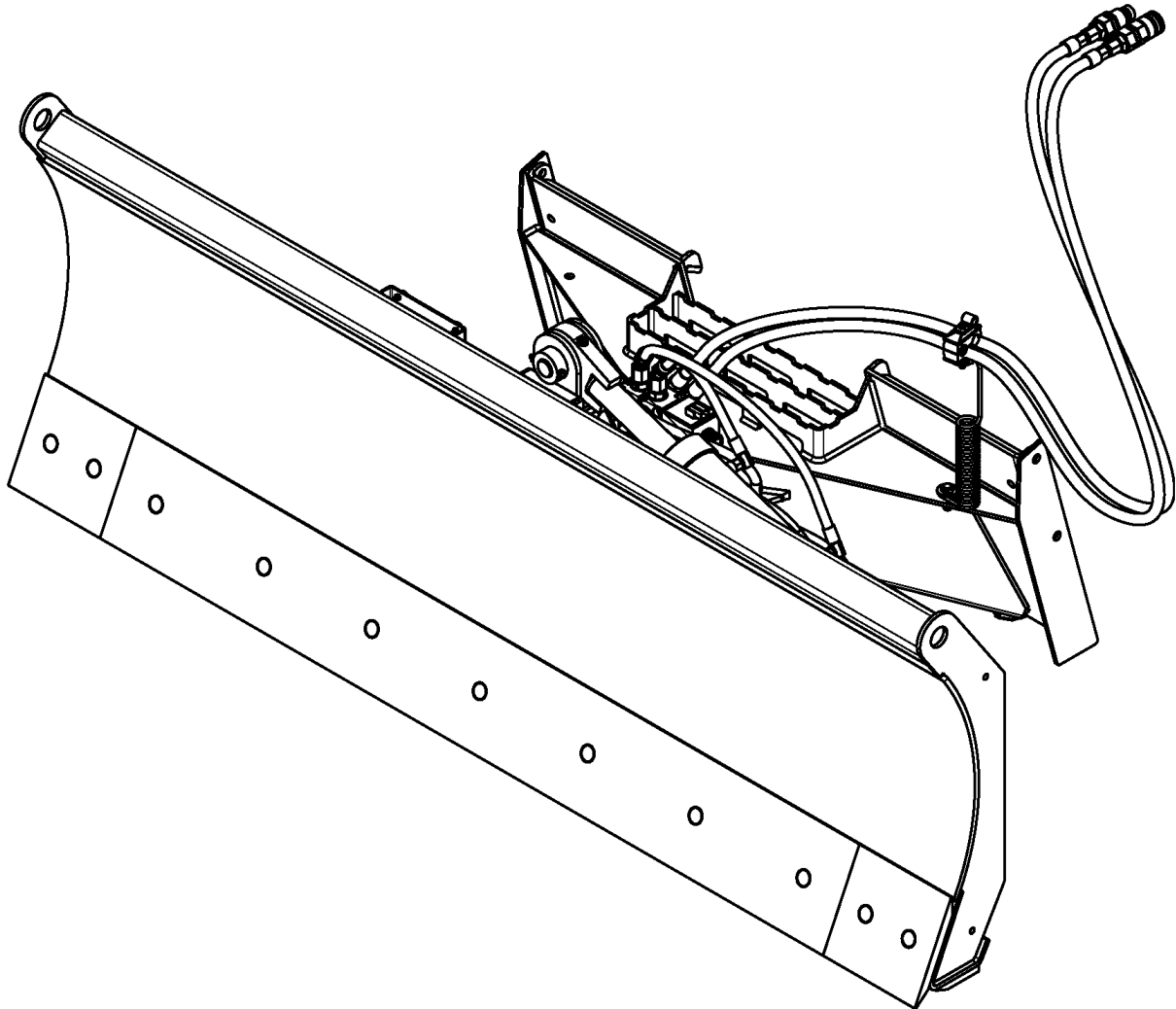


6-Way Dozer Blade

AP-DZ3084 and AP-DZ3096



70941

301-587PK
Parts Manual

Kubota®



Read the Operator's Manual entirely. When you see this symbol, the subsequent instructions and warnings are serious - follow without exception. Your life and the lives of others depend on it!

© Copyright 2019 Printed 02/20/19

Cover photo may show optional equipment not supplied with standard unit.



Table of Contents

Section 1: Introduction.....	4
Using This Manual.....	4
Manual Replacement Information.....	4
Manual Revisions.....	4
Touch-up Paint.....	4
Hardware Legend.....	5
Replacement Hardware.....	5
Serial Numbers.....	5
Part Number Service Coding.....	5
Section 2: Mainframes.....	6
Moldboard & Hitch.....	6
Section 3: Hydraulics.....	8
Diverter Valve (850-247C).....	8
Hydraulic Components.....	10
Hydraulic Cylinder (850-262C).....	12
Section 4: Decals & Touch-up Paint.....	14
Decal Placement.....	14
Kubota Touch-up Paints.....	16
Section 5: Options & Accessories.....	18
2-Pin Plug Control Harness.....	18
Battery Connect Control Harness.....	20
John Deere 14 Pin Plug Control Harness.....	22
John Deere EH14 Pin Plug Control Harness.....	24
Kubota 14 Pin Plug Control Harness.....	26
Part Number Index.....	28

© Copyright 2019. All rights reserved.

Kubota provides this publication “as is” without warranty of any kind, either expressed or implied. While every precaution has been taken in the preparation of this manual, Kubota assumes no responsibility for errors or omissions. Neither is any liability assumed for damages resulting from the use of the information contained herein. Kubota reserves the right to revise and improve its products as it sees fit. This publication describes the state of this product at the time of its publication, and may not reflect the product in the future. The illustrations in this manual are not intended for safe and proper assembly or disassembly of equipment. The illustrations are intended for ordering parts only.

Kubota is registered trademark.

All other brands and product names are trademarks or registered trademarks of their respective holders.

Printed in the United States of America.



Alphabetized Table of Contents

2	2-Pin Plug Control Harness.....	18
B	Battery Connect Control Harness.....	20
D	Decal Placement.....	14
	Diverter Valve (850-247C).....	8
H	Hydraulic Components.....	10
	Hydraulic Cylinder (850-262C).....	12
J	John Deere 14 Pin Plug Control Harness.....	22
	John Deere EH14 Pin Plug Control Harness.....	24
K	Kubota 14 Pin Plug Control Harness.....	26
	Kubota Touch-up Paints.....	16
M	Moldboard & Hitch.....	6

General Information

Using This Manual

This manual is divided into sections. The first section contains General Information. The remaining sections divide the machine into segments (i.e. Frames, Drives, Hydraulics, etc.) which illustrate and list all parts. A Parts Number Index is located at the back of the book.

The Kubota parts in this manual are specially designed for this machine and should be replaced with Kubota parts only.

The information in this manual is current at time of printing. Some parts may change to assure top performance.

Right-hand and left-hand as used in this manual are determined by facing the direction the machine will travel while in use.

Below is an example of two facing pages from a parts manual. Familiarize yourself with the type of information contained on these pages.

Manual Replacement Information

Replacement manuals are available. Refer to our website at www.landpride.com for additional information. Our website continues to provide the most up-to-date manuals available.

Touch-up Paint

Repaint parts where paint is worn or scratched to prevent rust. Aerosol cans and touch-up bottles with brush applicator are available through your local dealer. Also available are quart and gallon size paints. Add QT or GL to end of the Aerosol P/N.

Kubota color descriptions and part numbers are listed on the "Kubota Touch-up Paints" page in the "Decals" section of this book.



General Information

Hardware Legend

AR	As Required
BLADE	Blade Bolt
C	Cap Screw
CP	Cotter Pin
CPHSSS	Cup Point Hex Socket Set Screw
CPSHSS	Cup Point Square Head Set Screw
CPSQHSS	Cup Point Square Head Set Screw
CRFCHMS3	Cross Recess Flat Countersunk Head Machine Screw
CRPHMS	Cross Recess Pan Head Machine Screw
CRPHTFS	Cross Recess Pan Head Thread Forming
CRRHMS	Cross Recess Round Head Machine Screw
CRTHMS	Cross Recess Truss Head Machine Screw
CSNB	Countersunk Square Neck Bolt
FHMS	Flat Head Machine Screw
FTC	Full Thread Cap Screw
H	Hex Nut
HCLN	Hex Center Lock Nut
HFLCS	Hex Flange Lock Cap Screw
HFS	Hex Flange Screw
HFSLN	Hex Flange Serrated Lock Nut
HFSS	Hex Flange Serrated Screw
HHCS	Hex Head Cap Screw or Metric Bolt
HSBHCS	Hex Socket Button Head Cap Screw
HSFCHCS	Hex Socket Flat Countersunk Head Cap Screw
HSHCS	Hex Socket Head Cap Screw
HSSS	Hex Socket Head Screw
HTLN	Hex Top Lock Nut
HWHCS	Hex Washer Head Cap Screw

HWHMS	Hex Washer Head Machine Screw
HXBHCS	Hex Socket Button Head Cap Screw
J	Hex Jam Nut
JIC	37 Degree Tapered Thread
L	Helical Spring Lock Washer
LUG	Lug Bolt
NFC	National Fine Cap Screw
NPSM	National Pipe Straight Mechanical
NPTF	National Pipe Taper Fuel
P	Wide Plain Washer
PHMS	Pan Head Machine Screw
PLOW	Plow Bolt
RHMS	Round Head Machine Screw
RHSNB	Round Head Square Neck Bolt
SCREW LEVELING	Leveling Screw
SCREW THUMB	Thumb Screw
SCREW WELD	Weld Screw
SFCHMS	Slotted Flat Countersunk Head Machine Screw
SFHMS	Slotted Fillister Head Machine Screw
SP	Special
SP SCREW	Special Screw
SQHSS	Square Head Set Screw
SRHMS	Slotted Round Head Machine Screw
SSS	Socket Set Screw
STCS	Self Tapping Cap Screw
STHMS	Slotted Truss Head Machine Screw
WHEEL	Wheel Studs and Hub Long Bolts
WING	Wing Bolt

Replacement Hardware

The **Hardware Legend** above lists hardware abbreviations used in the parts list. All bolts and nuts are Grade 5 unless otherwise noted. The use of improper grades of hardware can result in personal injury, damage to equipment, or loss of property.

Part Number Service Coding

Within the parts list some part numbers are coded for revisions and interchangeability. See notations in revision column.

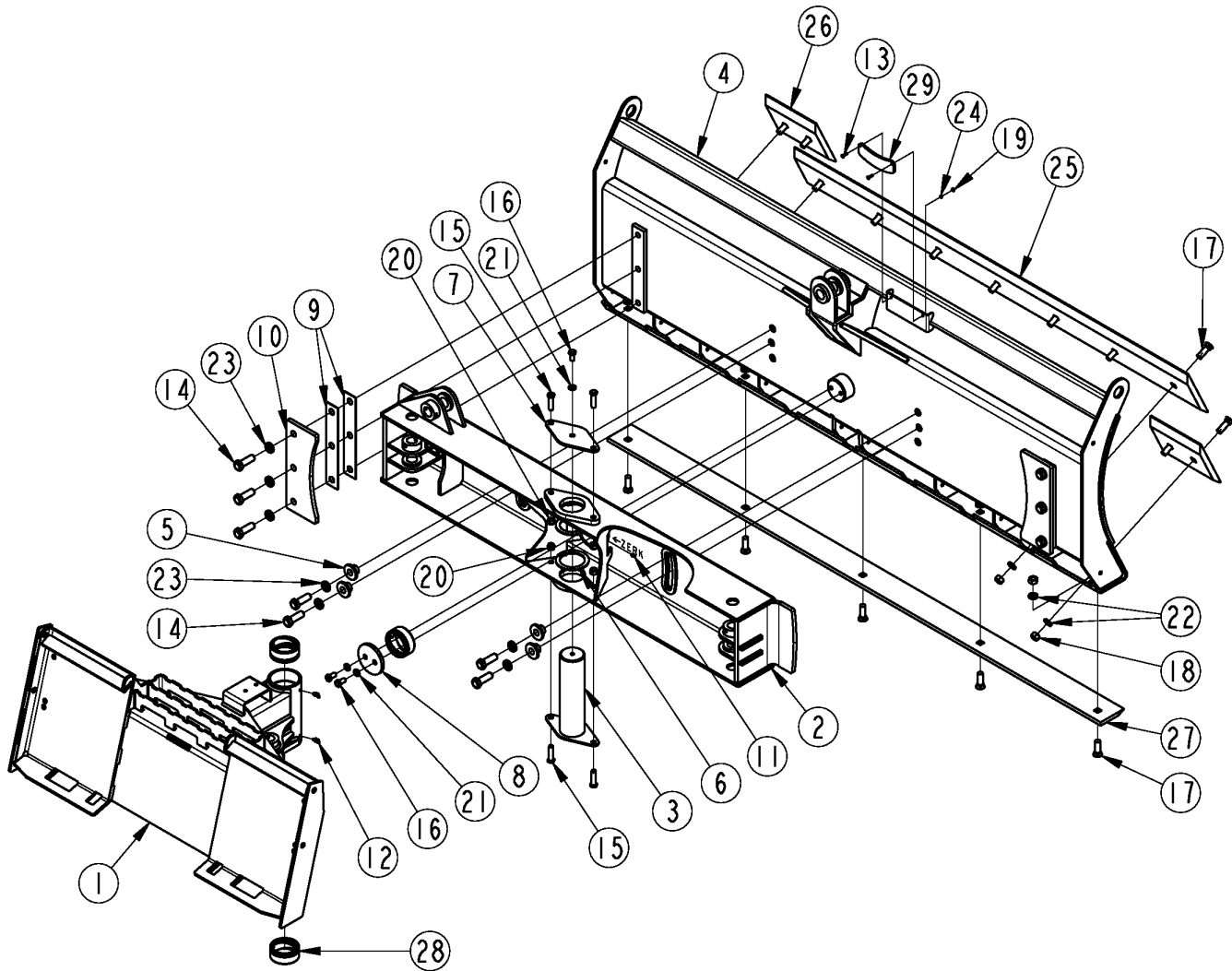
Serial Numbers

Always use the serial and model number when ordering parts. Refer to the Operator's Manual for serial number plate location.

- (S/N 20001+) Includes serial numbers 20001 and above (to the latest number)
- (S/N 10001 to 20000) Includes serial numbers between and including 10001 and 20000
- (S/N 10000-) Includes serial numbers 10000 and below (to the earliest number)

Moldboard & Hitch

Applies to AP-DZ3084, AP-DZ3096



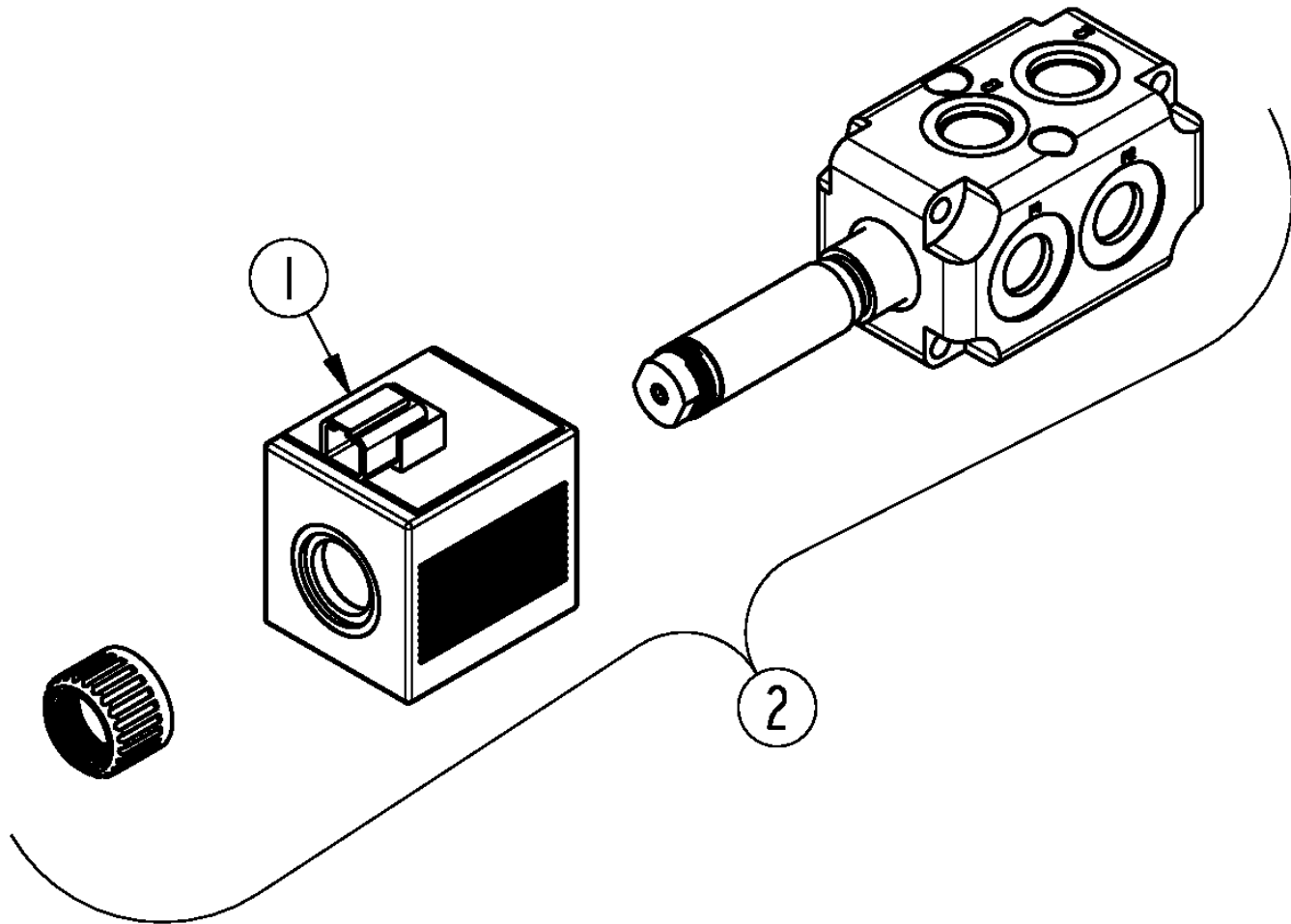
70942

Moldboard & Hitch**Applies to AP-DZ3084, AP-DZ3096**

Ref	Part No.	Part Description	Comments	Revision
	dwg 70942	Image No.		
1.	301-540H	DOZER BLADE HITCH		
2.	301-541H	PIVOT FRAME		
3.	301-542H	3.0 PIVOT PIN		
4.	301-548H	84" DOZER BLADE		
4.	301-549H	96" DOZER BLADE		
5.	301-601D	FLOAT BUSHING		
6.	301-683D	3.0 PIVOT THRUST WASHER		
7.	301-686D	PIN CAP		
8.	301-691D	TILT PIN RETAINER		
9.	301-697D	GUIDE PLATE SHIM		
10.	301-698D	GUIDE PLATE		
11.	800-001C	GREASE ZERK STRAIGHT 1/4-28		
12.	800-058C	GREASE ZERK 1/4-28 X 45-DEG		
13.	801-262C	SCREW RD HD 8-32 X 3/4 PLT		
14.	802-065C	HHCS 3/4-10X2 1/4 GR5		
15.	802-128C	HHCS 1/2-13X2 GR5		
16.	802-258C	HHCS 1/2-13X1 GR5		
17.	802-288C	PLOW 5/8-11X2 GR5		
18.	803-021C	NUT HEX 5/8-11 PLT		
19.	803-064C	NUT HEX 8-32		
20.	803-147C	NUT HEX NYLOCK 1/2-13		
21.	804-015C	WASHER LOCK SPRING 1/2 PLT		
22.	804-022C	WASHER LOCK SPRING 5/8 PLT		
23.	804-023C	WASHER LOCK SPRING 3/4 PLT		
24.	804-043C	WASHER LOCK #8		
25.	820-593C	CUTTING EDGE,66" BUCKT BLT ON	7 HOLES	
25.	820-551C	CUTTING EDGE,78" BUCKT BLT ON	9 HOLES	
26.	820-665C	DOZER BLADE, 3/4X8X8.5	2 HOLES	
27.	820-667C	84" WEAR EDGE	5 HOLES	
27.	820-668C	96" WEAR EDGE	6 HOLES	
28.	891-739C	BUSHING 3.5 X 3 X 1.5 CONNEX		
29.	891-747C	INCLINOMETER +-26 DEGREES		

Diverter Valve (850-247C)

Applies to AP-DZ3084, AP-DZ3096



70959

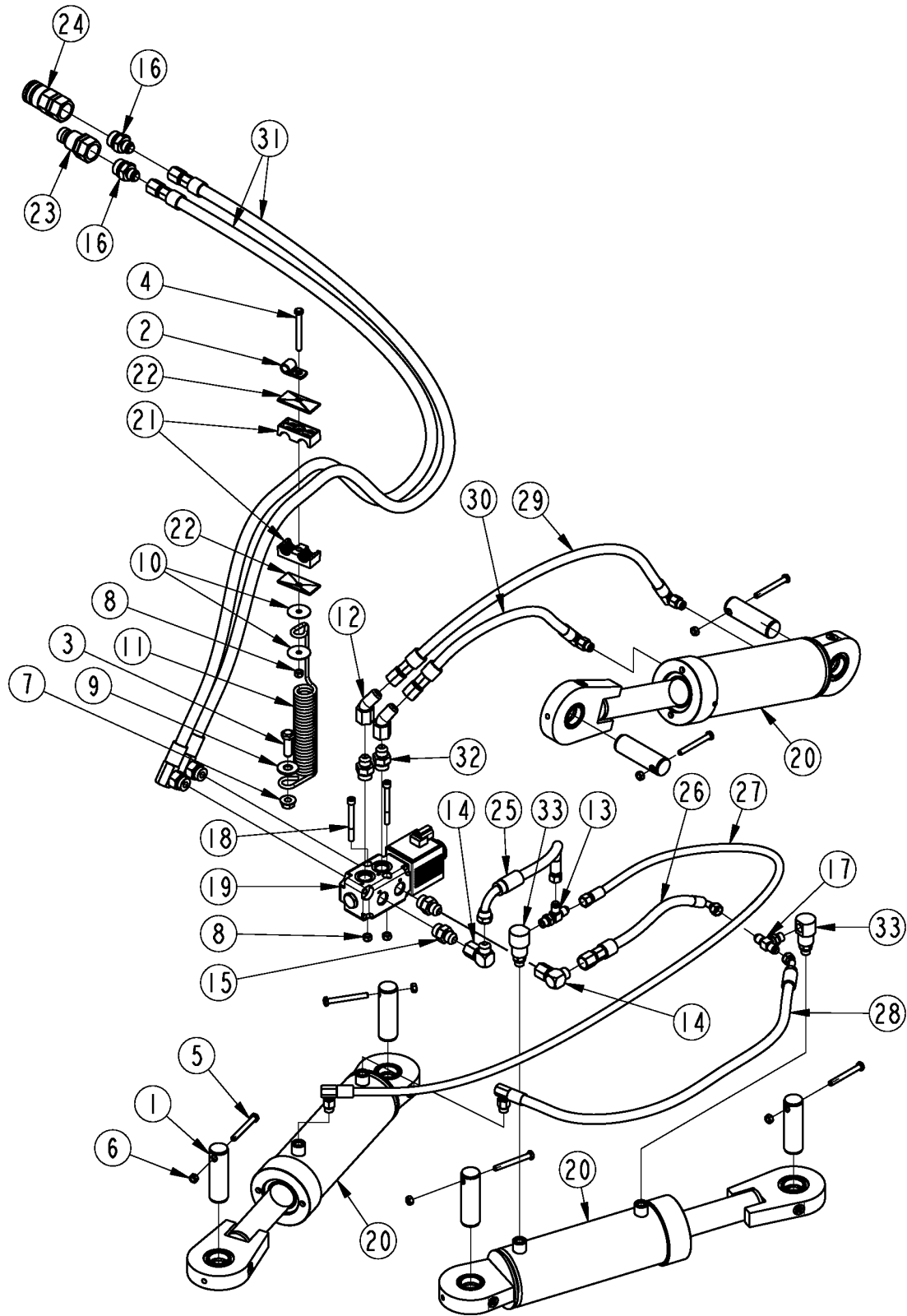
Diverter Valve (850-247C)

Applies to AP-DZ3084, AP-DZ3096

Ref	Part No.	Part Description	Comments	Revision
	dwg 70959	Image No.		
1.	253-069	COIL O/C L281-06194 INTG DTR 12V 3.5A	Only serviceable part in diverter valve	
2.	850-247C	DIVERTER VALVE		

Hydraulic Components

Applies to AP-DZ3084, AP-DZ3096



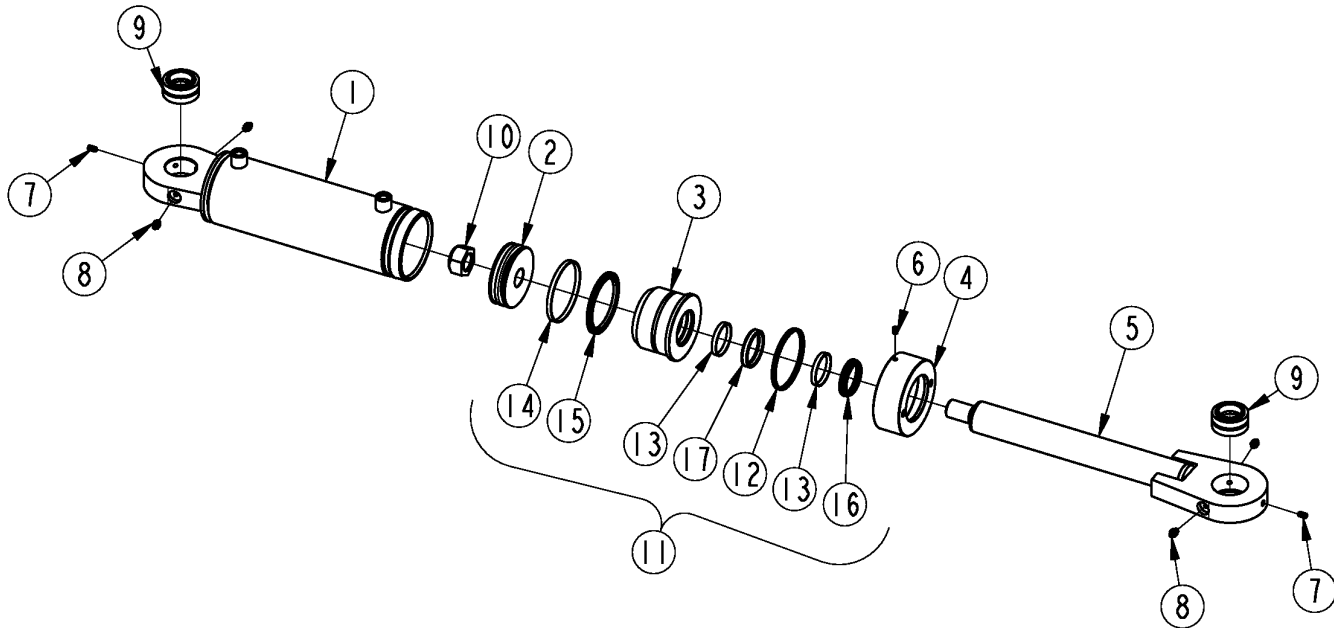
70946

Hydraulic Components**Applies to AP-DZ3084, AP-DZ3096**

Ref	Part No.	Part Description	Comments	Revision
	Dwg 70946	Image No.		
1.	805-610C	PIN 1.233 X 4.00		
2.	800-497C	HOSE CLIP 1/2 ID		
3.	802-091C	HHCS 1/2-13X1 1/2 GR5		
4.	802-131C	HHCS 5/16-18X3 GR5		
5.	802-197C	HHCS 5/16-18X2 3/4 GR5		
6.	803-011C	NUT LOCK 5/16-18 PLT		
7.	803-037C	NUT HEX WHIZ 1/2-13 PLT GR5		
8.	803-084C	NUT HEX NYLOCK 5/16-18 PLT		
9.	804-017C	WASHER FLAT 1/2 USS PLT		
10.	804-168C	WASHER FENDER 5/16 X 1 1/2		
11.	807-385C	SPRING HOSE CLAMP MOUNT		
12.	811-040C	EL 45 3/4MJIC 3/4FJIC		
13.	811-064C	TE 9/16MJIC 9/16MJIC 9/16MORB		
14.	811-150C	EL 3/4FJIC 3/4MJIC		
15.	811-192C	AD 3/4MJIC 7/8MORB		
16.	811-205C	AD 3/4MJIC 1 1/16MORB		
17.	811-439C	TE 9/16MORB 9/16MJIC 9/16MJIC		
18.	842-060C	HSHCS 5/16-18X3		
19.	850-247C	DIVERTER VALVE		
20.	850-262C	CYL, 3.5X8X1.75 ROD WLD		
21.	851-241C	STAUFF CLAMP BODY 3D 0.79HOLE		
22.	851-245C	STAUFF COVER PLATE GROUP 3D		
23.	851-947C	CUP 1 1/16FORB MALE QUICK CPLR		
24.	851-948C	CUP 1 1/16FORB FML QUICK CPLR		
25.	861-100C	HH3/8R2 15 9/16FJIC 3/4FJIC90		
26.	861-101C	HH3/8R2 19 3/4FJIC 9/16FJIC90		
27.	861-102C	HH3/8R2 65 9/16FJIC9/16MORB90S		
28.	861-103C	HH3/8R2 35 .56FJIC45 .56MORB90		
29.	861-104C	HH3/8R2 28 3/4FJIC 9/16MORB90S		
30.	861-105C	HH3/8R2 20 3/4FJIC 9/16MORB90S		
31.	861-106C	HH3/8R2 82 3/4FJIC 7/8MORB90S		
32.	861-271C	ORAD 1/16 3/4MJIC 7/8MORB		
33.	861-278C	EL 9/16MORB 9/16FJIC LIVE SWVL		

Hydraulic Cylinder (850-262C)

Applies to AP-DZ3084, AP-DZ3096



70948

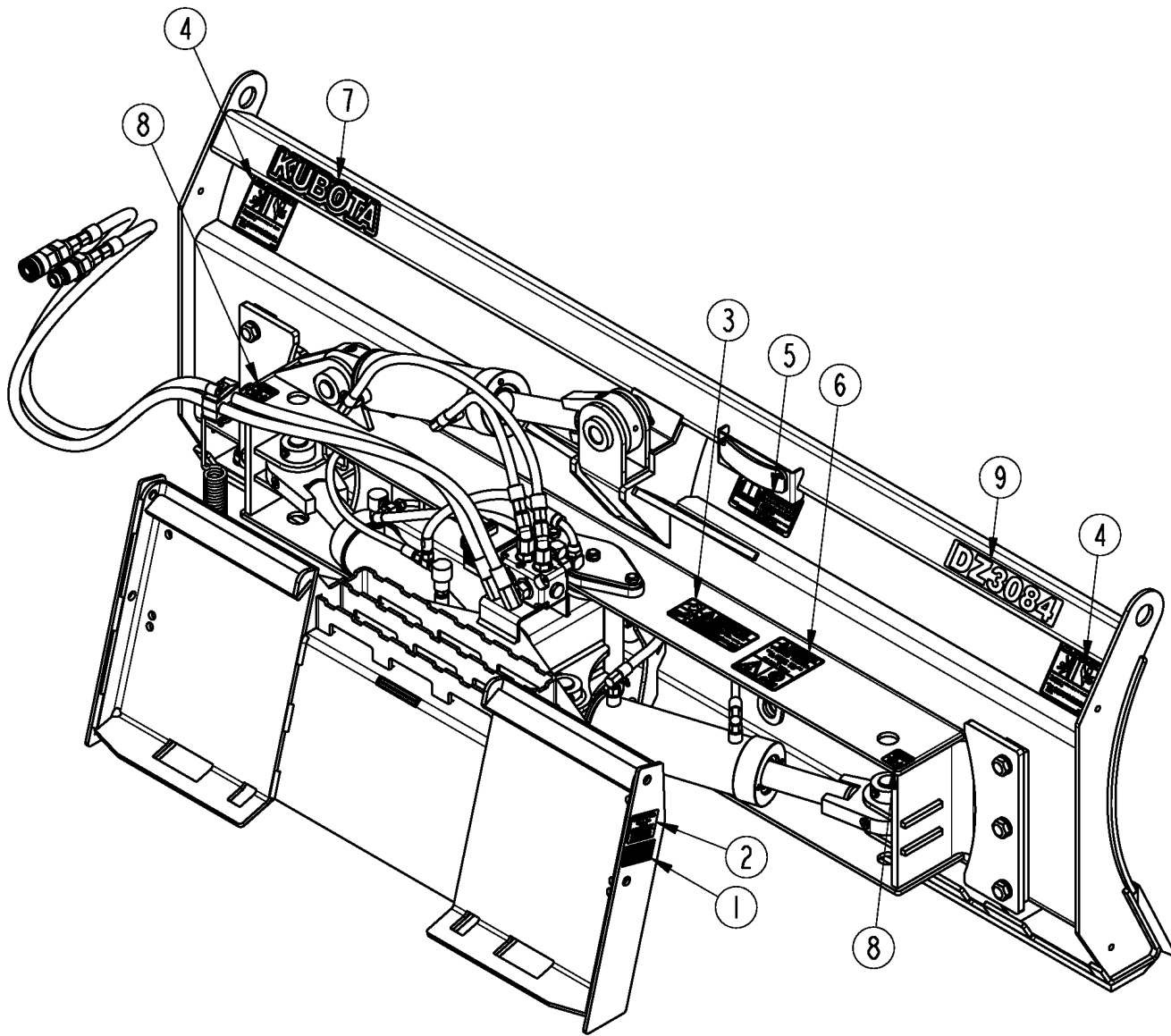
Hydraulic Cylinder (850-262C)

Applies to AP-DZ3084, AP-DZ3096

Ref	Part No.	Part Description	Comments	Revision
	dwg 70948	Image No.		
1.	499342	TUBE WELDMENT		
2.	258827	PISTON		
3.	260015	CYLINDER HEAD		
4.	260015	HEAD NUT		
5.	499343	ROD WELDMENT		
6.	257297	SET SCREW 1/4-20UNCX3/8LG		
7.	260479	SET SCREW 1/4-20UNCX1/2LG		
8.	110701	GREASE GITTING - STRAIGHT		
9.	110551	SPHERICAL BEARING 1 1/4 DIA		
10.	130560	PISTON NUT 1-14UNS-2B		
11.	649219	SEAL KIT		
12.	N/A	DUAL SEAL		
13.	N/A	ROD WEAR RING		
14.	N/A	PISTON WEAR RING		
15.	N/A	PISTON SEAL		
16.	N/A	ROD WIPER		
17.	N/A	ROD SEAL		

Decal Placement

Applies to AP-DZ3084, AP-DZ3096



70949

Decal Placement

Applies to AP-DZ3084, AP-DZ3096

Ref	Part No.	Part Description	Comments	Revision
	dwg 70949	Image No.		
1.	818-190C	DECAL FLAG		
2.	819-213C	ID PLATE, KUBOTA		
3.	838-094C	DECAL WARNING HYD PRESS LONG		
4.	838-112C	DECAL DANGER PINCHING		
5.	838-293C	DECAL WARNING READ MANUAL		
6.	858-237C	DECAL, DIG SAFE		
7.	858-398C	DECAL KUBOTA 10"		
8.	858-765C	DECAL PIC--PINCH POINT		
9.	858-871C	DECAL, DZ3084		
9.	858-872C	DECAL, DZ3096		

Kubota Touch-up Paints

Applies to AP-DZ3084, AP-DZ3096

No diagram associated with this Parts List

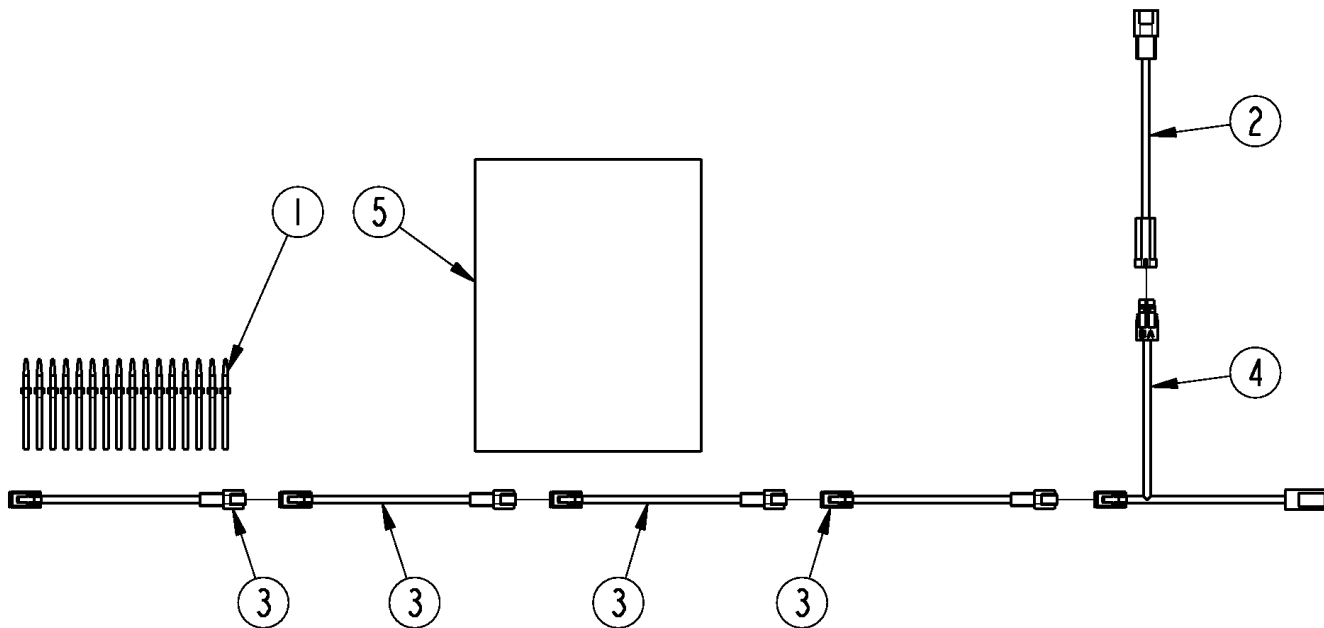
Kubota Touch-up Paints

Applies to AP-DZ3084, AP-DZ3096

Ref	Part No.	Part Description	Comments	Revision
1.	821-070C	GLOSS BLACK SPRAY CAN	All Products	
2.	821-070CTU	GLOSS BLACK TOUCH-UP 5OZ		
3.	821-070CQT	GLOSS BLACK QUART		
4.	821-070CGL	GLOSS BLACK GALLON		

2-Pin Plug Control Harness

Applies to AP-DZ3084, AP-DZ3096



70955

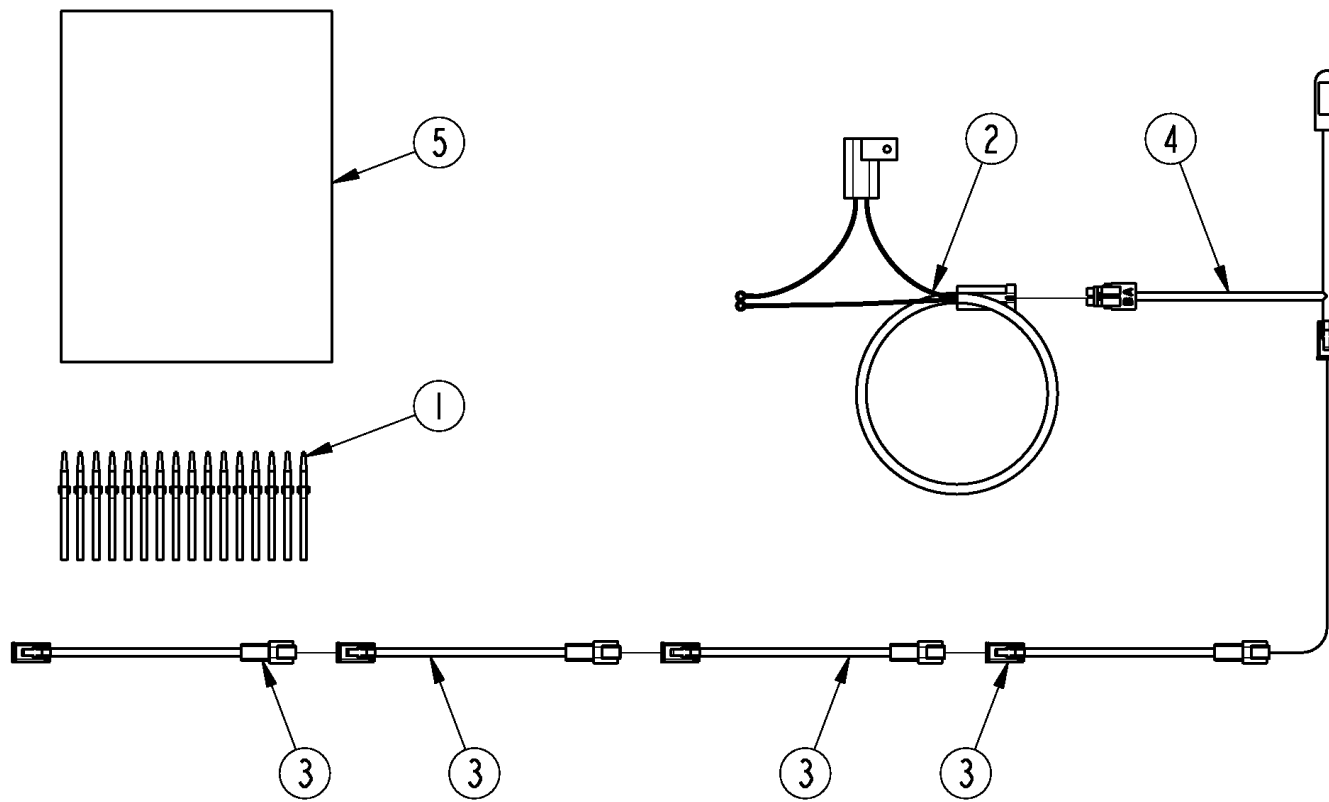
2-Pin Plug Control Harness

Applies to AP-DZ3084, AP-DZ3096

Ref	Part No.	Part Description	Comments	Revision
	dwg 70955	Image No.		
1.	800-112C	CABLE TIE .19X7.25 1.75D 50LB		
2.	823-439C	HRN DTP04-2P 14GA 2WPS /5'		
3.	823-474C	WIRE EXTENSION HARNESS 100"		
4.	823-475C	MOMENTARY SWITCH/HARN		
5.	301-591MK	KUBOTA HARNESS ROUTING MANUAL		

Battery Connect Control Harness

Applies to AP-DZ3084, AP-DZ3096



70957

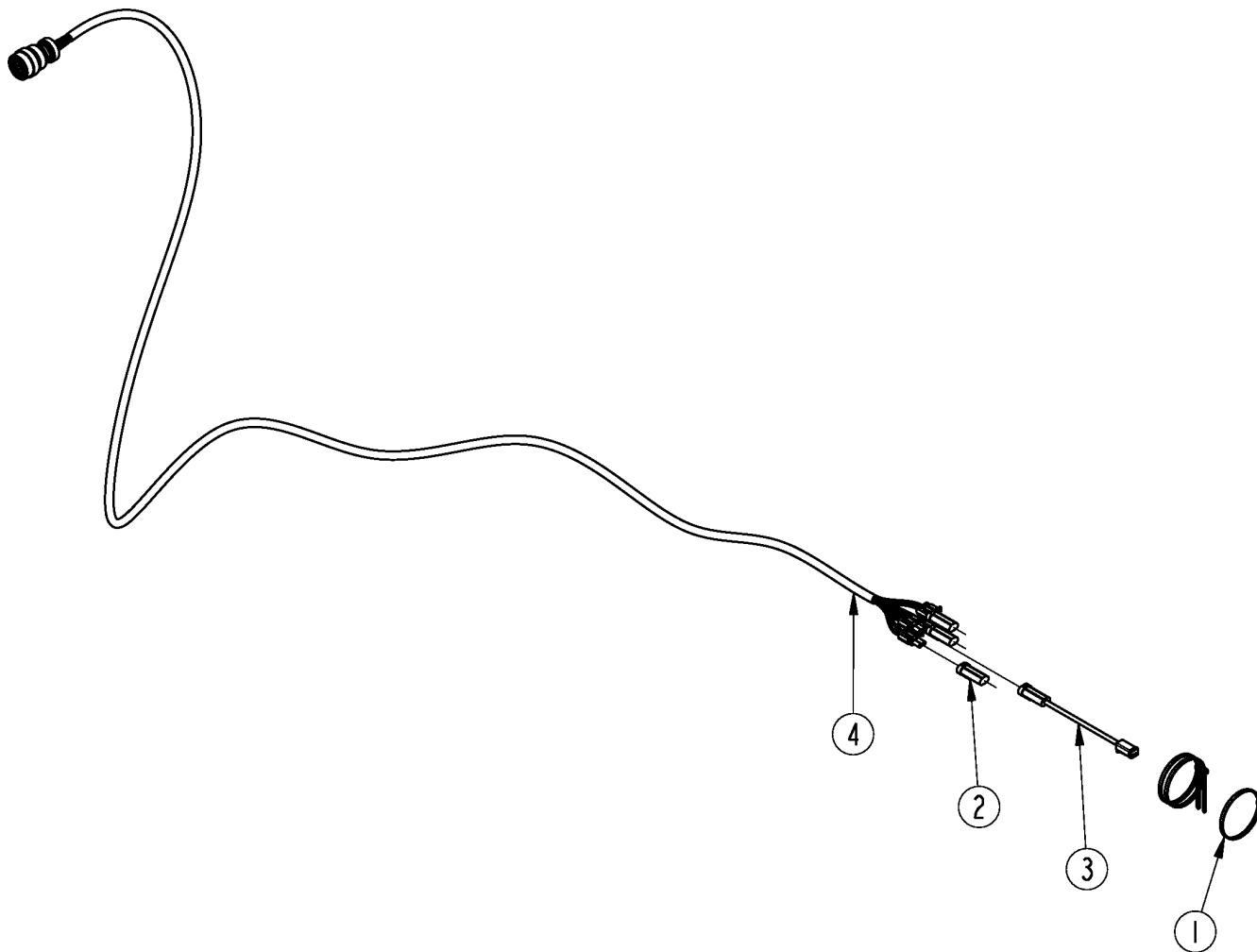
Battery Connect Control Harness

Applies to AP-DZ3084, AP-DZ3096

Ref	Part No.	Part Description	Comments	Revision
	dwg 70957	Image No.		
1.	800-112C	CABLE TIE .19X7.25 1.75D 50LB		
2.	823-386C	HARNESS, POWER		
3.	823-474C	WIRE EXTENSION HARNESS 100"		
4.	823-475C	MOMENTARY SWITCH/HARN		
5.	301-589MK	HARNESS WIRE ROUTING MANUAL		

John Deere 14 Pin Plug Control Harness

Applies to AP-DZ3084, AP-DZ3096



70951

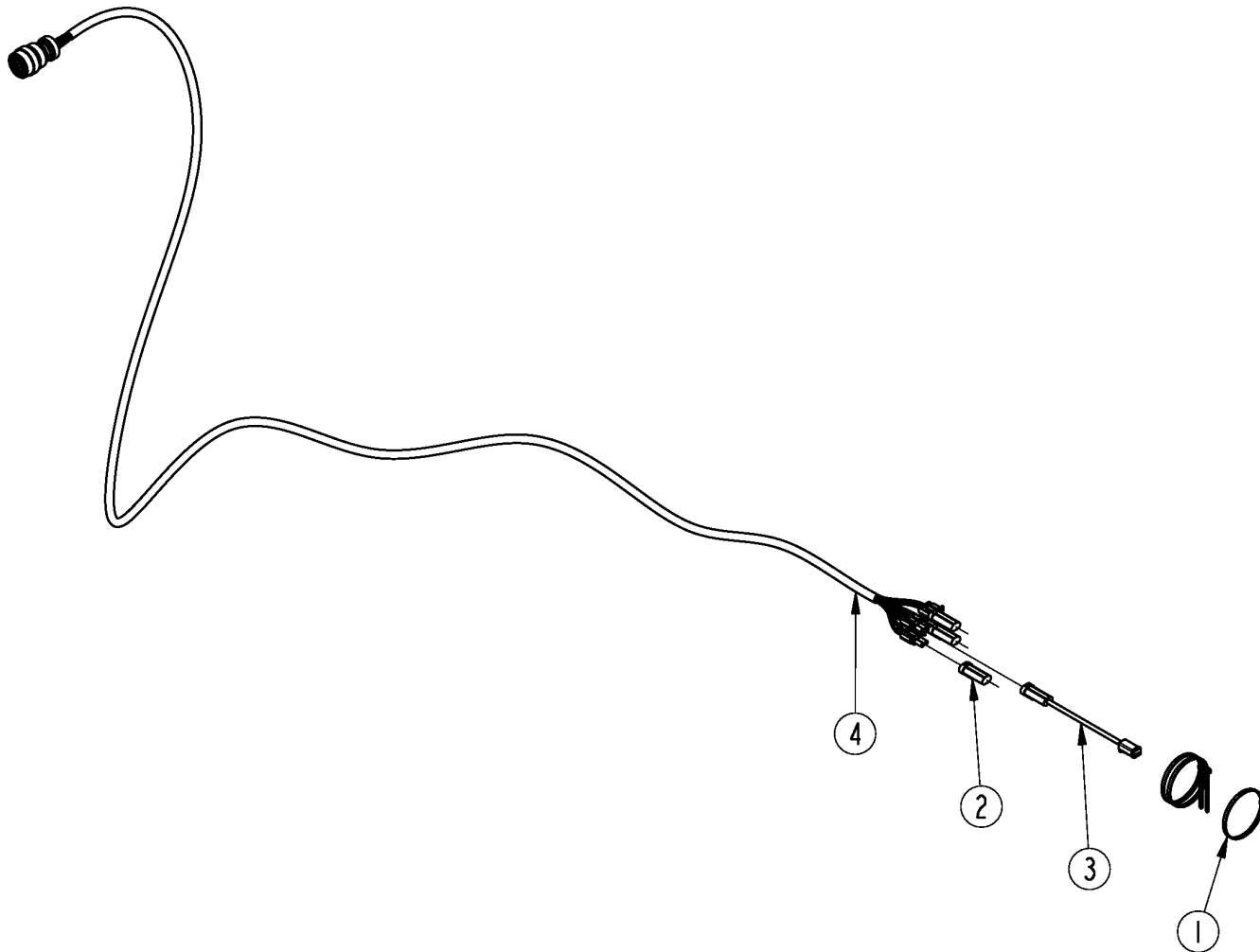
John Deere 14 Pin Plug Control Harness

Applies to AP-DZ3084, AP-DZ3096

Ref	Part No.	Part Description	Comments	Revision
	dwg 70951	Image No.		
1.	800-060C	CABLE TIE .19X14.25 3DIA 50LB		
2.	817-172C	2 PIN MALE WEATHER PACK CAP		
3.	823-131C	SHORT ADAPTER HARNESS		
4.	823-418C	DEUTSCH HD30 14 PIN 2 FUNCTION		
		*		
		*		
		NOTES:		
		This harness will work with John Deere Skid steers equipped with a 14 pin coupler.		

John Deere EH14 Pin Plug Control Harness

Applies to AP-DZ3084, AP-DZ3096



70951

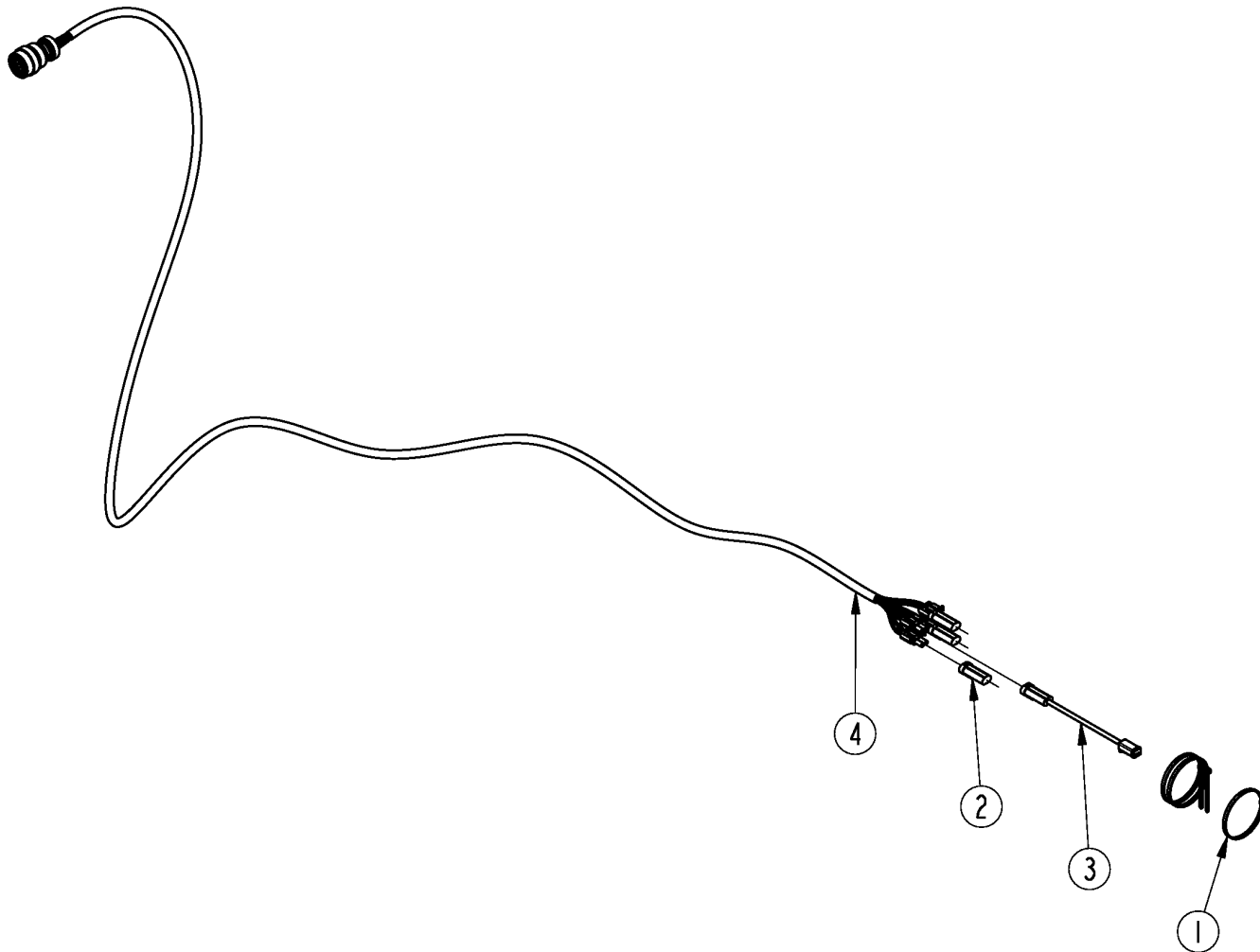
John Deere EH14 Pin Plug Control Harness

Applies to AP-DZ3084, AP-DZ3096

Ref	Part No.	Part Description	Comments	Revision
	dwg 70951	Image No.		
1.	800-060C	CABLE TIE .19X14.25 3DIA 50LB		
2.	817-172C	2 PIN MALE WEATHER PACK CAP		
3.	823-131C	SHORT ADAPTER HARNESS		
4.	823-419C	DEUTSCH HD30 14 PIN 2 FUNCTION		
		*		
		*		
		NOTES:		
		This harness will work with John Deere Skid steers equipped with a JD EH14 pin coupler.		

Kubota 14 Pin Plug Control Harness

Applies to AP-DZ3084, AP-DZ3096



70951

Kubota 14 Pin Plug Control Harness

Applies to AP-DZ3084, AP-DZ3096

Ref	Part No.	Part Description	Comments	Revision
	dwg 70951	Image No.		
1.	800-060C	CABLE TIE .19X14.25 3DIA 50LB		
2.	817-172C	2 PIN MALE WEATHER PACK CAP		
3.	823-131C	SHORT ADAPTER HARNESS		
4.	823-417C	DEUTSCH HD30 14 PIN 2 FUNCTION		
		*		
		*		
		NOTES:		
		This harness will work with the following skid steers with 14 pins: Kubota, Bobcat, GEHL, Komatsu, Mustang, Takeuchi, and Volvo.		
		It will also work by reversing the red and green wires at the solenoid with the following skid steers with 14 pins: Case-Post 9/1/01, Case-400 Series, and New Holland.		



Part Number Index

The Part Number Index is a numeric index of all part numbers included in this manual. The index shows what page(s) the part is used on.

Part Number	Page	Part Number	Page
110551	13	823-386C	21
110701	13	823-417C	27
130560	13	823-418C	23
253-069	9	823-419C	25
257297	13	823-439C	19
258827	13	823-474C	19, 21
260015	13	823-475C	19, 21
260479	13	838-094C	15
301-540H	7	838-112C	15
301-541H	7	838-293C	15
301-542H	7	842-060C	11
301-548H	7	850-247C	9, 11
301-549H	7	850-262C	11
301-589MK	21	851-241C	11
301-591MK	19	851-245C	11
301-601D	7	851-947C	11
301-683D	7	851-948C	11
301-686D	7	858-237C	15
301-691D	7	858-398C	15
301-697D	7	858-765C	15
301-698D	7	858-871C	15
499342	13	858-872C	15
499343	13	861-100C	11
649219	13	861-101C	11
800-001C	7	861-102C	11
800-058C	7	861-103C	11
800-060C	23, 25, 27	861-104C	11
800-112C	19, 21	861-105C	11
800-497C	11	861-106C	11
801-262C	7	861-271C	11
802-065C	7	861-278C	11
802-091C	11	891-739C	7
802-128C	7	891-747C	7
802-131C	11	dwg 70942	7
802-197C	11	Dwg 70946	11
802-258C	7	dwg 70948	13
802-288C	7	dwg 70949	15
803-011C	11	dwg 70951	23, 25, 27
803-021C	7	dwg 70955	19
803-037C	11	dwg 70957	21
803-064C	7	dwg 70959	9
803-084C	11	N/A	13
803-147C	7		
804-015C	7		
804-017C	11		
804-022C	7		
804-023C	7		
804-043C	7		
804-168C	11		
805-610C	11		
807-385C	11		
811-040C	11		
811-064C	11		
811-150C	11		
811-192C	11		
811-205C	11		
811-439C	11		
817-172C	23, 25, 27		
818-190C	15		
819-213C	15		
820-551C	7		
820-593C	7		
820-665C	7		
820-667C	7		
820-668C	7		
821-070C	17		
821-070CGL	17		
821-070CQT	17		
821-070CTU	17		
823-131C	23, 25, 27		

This Page Intentionally Left Blank



KUBOTA TRACTOR CORPORATION

1000 Kubota Drive, Grapevine, TX 76051

Telephone: (817) 756-1171

Western Division: 1175 S. Guild Ave., Lodi, CA 95240
Telephone: (209) 334-9910

Central Division: 14855 FAA Blvd., Fort Worth, TX 76155
Telephone: (817) 571-0900

Northern Division: 6300 at One Kubota Way, Groveport, OH 43125
Telephone: (614) 835-1100

Southeast Division: 1025 Northbrook Parkway, Suwanee, GA 30024
Telephone: (770) 995-8855

www.kubota.com
