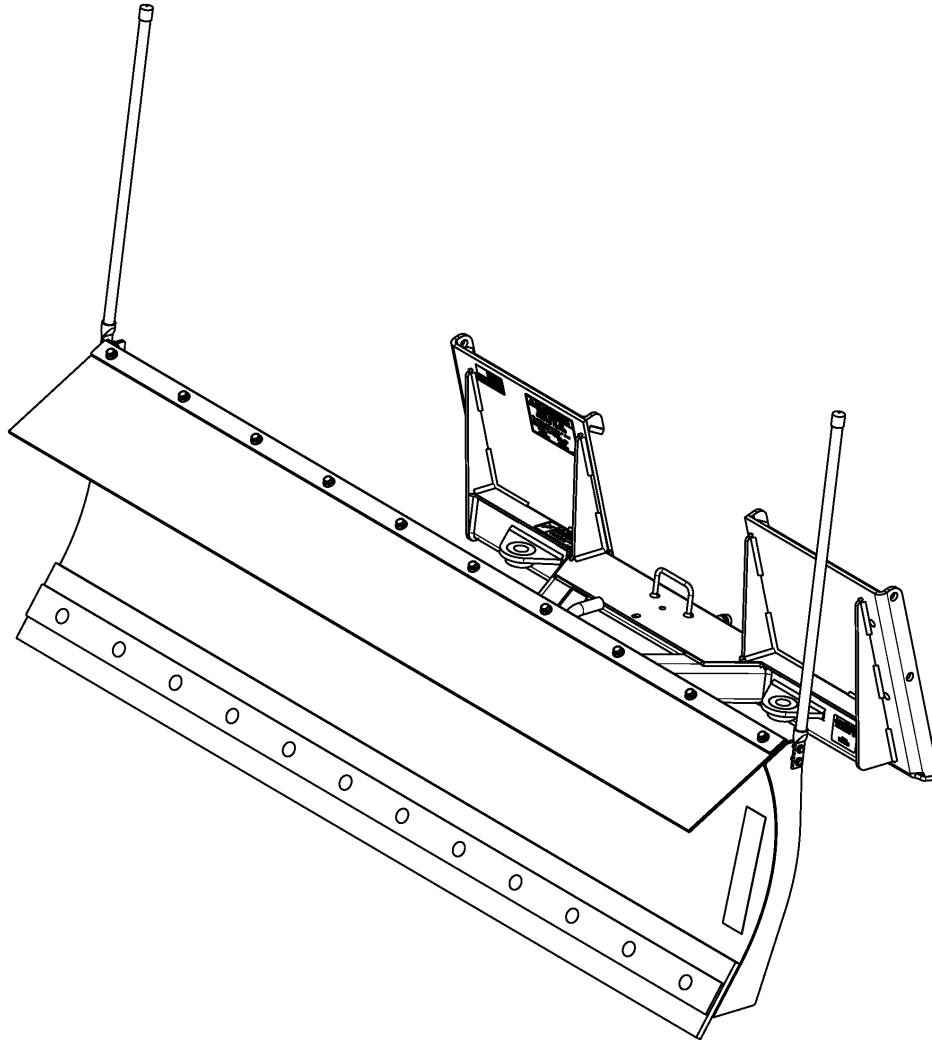


Snow Trip Blade

STB1060 & STB1072



39393

301-501P
Parts Manual



Read the Operator's Manual entirely. When you see this symbol, the subsequent instructions and warnings are serious - follow without exception. Your life and the lives of others depend on it!

© Copyright 2019 Printed 08/20/19

Cover photo may show optional equipment not supplied with standard unit.





Table of Contents

Section 1: Introduction.....	4
Using This Manual.....	4
Manual Replacement Information.....	4
Manual Revisions.....	4
Touch-up Paint.....	4
Hardware Legend.....	5
Replacement Hardware.....	5
Serial Numbers.....	5
Part Number Service Coding.....	5
Section 2: Main Frame & Hitch Assembly.....	6
Hitch & Pivot Assembly.....	6
Trip Blade Moldboard.....	8
Section 3: Options & Accessories.....	10
Cutting Edge Options.....	10
Cylinder Dual & Cushion Valve S/N _____+.....	12
Cylinder Dual & Cushion Valve S/N _____-.....	14
Cylinder Single Angling.....	16
Cylinders Dual Angling S/N _____+.....	18
Cylinders Dual Angling S/N _____-.....	20
Hose & Coupler Options.....	22
Rubber Deflector.....	24
Third Function Valve Hose Kit 301-565A.....	26
Third Function Valve Hose Kit 301-566A.....	28
Third Function Valve Kit 380-149A for Kubota B2620 & LA364 or B2320 & LA304 or B2301 & B2601 & LA434.....	30
Third Function Valve Kit 380-152A for Kubota L2501 L3200 L3800 L3301 L3901 L4600 & L4701.....	32
Third Function Valve Kit 380-168A for Kubota B3350 B2650 & LA534 LA534A.....	34
Thrid Function Valve Kit 380-093A for Kubota B3300 & LA504.....	36
Section 4: Hydraulics.....	38
Hydraulic Cylinder (810-601C) Midway.....	38
Section 5: Decals.....	40
Decals.....	40
Land Pride Touch-up Paints.....	42
 Part Number Index.....	 44

© Copyright 2019. All rights reserved.

Land Pride provides this publication “as is” without warranty of any kind, either expressed or implied. While every precaution has been taken in the preparation of this manual, Land Pride assumes no responsibility for errors or omissions. Neither is any liability assumed for damages resulting from the use of the information contained herein. Land Pride reserves the right to revise and improve its products as it sees fit. This publication describes the state of this product at the time of its publication, and may not reflect the product in the future. The illustrations in this manual are not intended for safe and proper assembly or disassembly of equipment. The illustrations are intended for ordering parts only.

Land Pride is registered trademark.

All other brands and product names are trademarks or registered trademarks of their respective holders.

Printed in the United States of America.



Alphabetized Table of Contents

C

Cutting Edge Options.....	10
Cylinder Dual & Cushion Valve S/N _____+.....	12
Cylinder Dual & Cushion Valve S/N _____-.....	14
Cylinder Single Angling.....	16
Cylinders Dual Angling S/N _____+.....	18
Cylinders Dual Angling S/N _____-.....	20

D

Decals.....	40
-------------	----

H

Hitch & Pivot Assembly.....	6
Hose & Coupler Options.....	22
Hydraulic Cylinder (810-601C) Midway.....	38

L

Land Pride Touch-up Paints.....	42
---------------------------------	----

R

Rubber Deflector.....	24
-----------------------	----

T

Third Function Valve Hose Kit 301-565A.....	26
Third Function Valve Hose Kit 301-566A.....	28
Third Function Valve Kit 380-149A for Kubota B2620 & LA364 or B2320 & LA304 or B2301 & B2601 & LA434.....	30
Third Function Valve Kit 380-152A for Kubota L2501 L3200 L3800 L3301 L3901 L4600 & L4701.....	32
Third Function Valve Kit 380-168A for Kubota B3350 B2650 & LA534 LA534A.....	34
Thrid Function Valve Kit 380-093A for Kubota B3300 & LA504.....	36
Trip Blade Moldboard.....	8

General Information

Using This Manual

This manual is divided into sections. The first section contains General Information. The remaining sections divide the machine into segments (i.e. Frames, Drives, Hydraulics, etc.) which illustrate and list all parts. A Parts Number Index is located at the back of the book.

The Land Pride parts in this manual are specially designed for this machine and should be replaced with Land Pride parts only.

The information in this manual is current at time of printing. Some parts may change to assure top performance.

Right-hand and left-hand as used in this manual are determined by facing the direction the machine will travel while in use.

Below is an example of two facing pages from a parts manual. Familiarize yourself with the type of information contained on these pages.

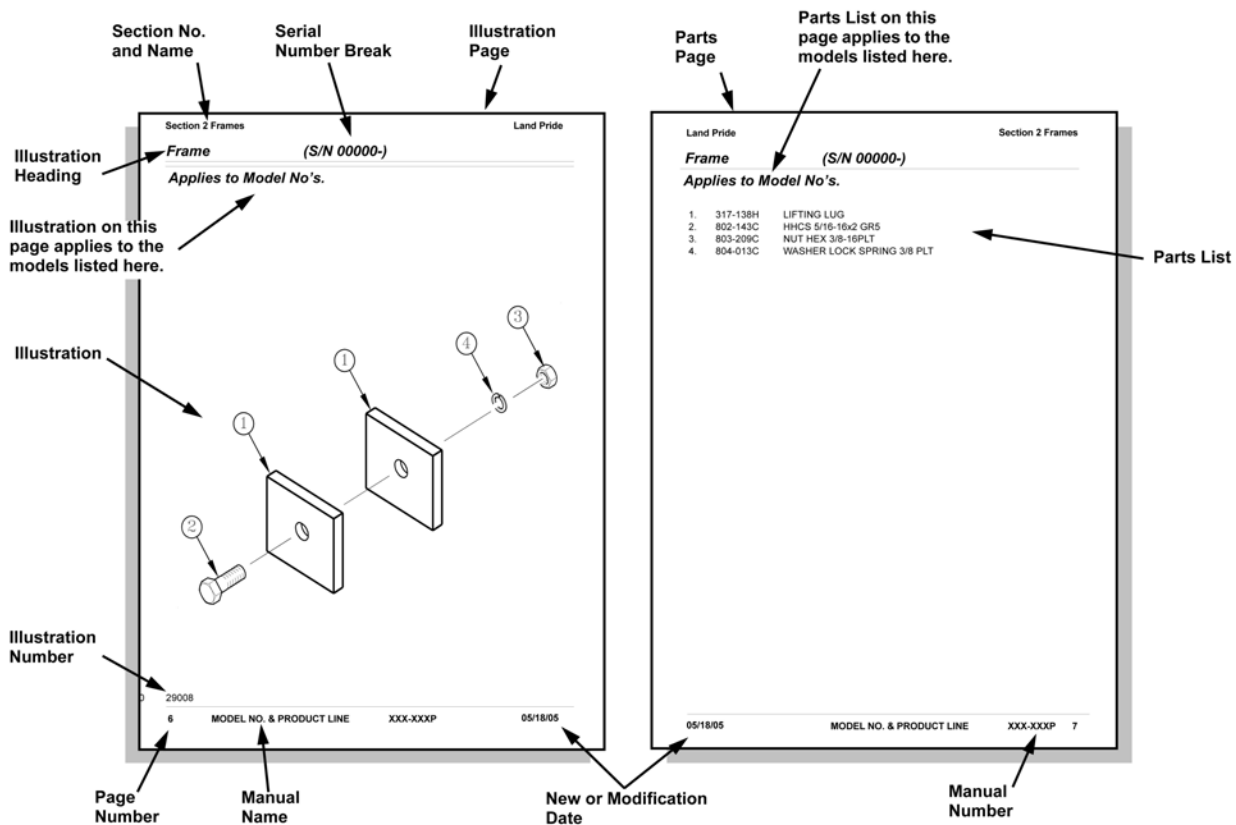
Manual Replacement Information

Replacement manuals are available. Refer to our website at www.landpride.com or e-mail us at lit@landpride.com for additional information. Our website continues to provide the most up-to-date manuals available.

Touch-up Paint

Repaint parts where paint is worn or scratched to prevent rust. Aerosol cans and touch-up bottles with brush applicator are available through your local dealer. Also available are quart and gallon size paints. Add QT or GL to end of the Aerosol P/N.

Land Pride color descriptions and part numbers are listed on the "Land Pride Touch-up Paints" page in the "Decals" section of this book. Color options vary by product.



General Information

Hardware Legend

AR	As Required
BLADE	Blade Bolt
C	Cap Screw
CP	Cotter Pin
CPHSSS	Cup Point Hex Socket Set Screw
CPSHSS	Cup Point Square Head Set Screw
CPSQHSS	Cup Point Square Head Set Screw
CRFCHMS3	Cross Recess Flat Countersunk Head Machine Screw
CRPHMS	Cross Recess Pan Head Machine Screw
CRPHTF	Cross Recess Pan Head Thread Forming
CRRHMS	Cross Recess Round Head Machine Screw
CRTHMS	Cross Recess Truss Head Machine Screw
CSNB	Countersunk Square Neck Bolt
FHMS	Flat Head Machine Screw
FTC	Full Thread Cap Screw
H	Hex Nut
HCLN	Hex Center Lock Nut
HFLCS	Hex Flange Lock Cap Screw
HFS	Hex Flange Screw
HFSLN	Hex Flange Serrated Lock Nut
HFSS	Hex Flange Serrated Screw
HHCS	Hex Head Cap Screw or Metric Bolt
HSBHCS	Hex Socket Button Head Cap Screw
HSFCHCS	Hex Socket Flat Countersunk Head Cap Screw
HSHCS	Hex Socket Head Cap Screw
HSSS	Hex Socket Head Screw
HTLN	Hex Top Lock Nut
HWHCS	Hex Washer Head Cap Screw

HWHMS	Hex Washer Head Machine Screw
HXBHCS	Hex Socket Button Head Cap Screw
J	Hex Jam Nut
JIC	37 Degree Tapered Thread
L	Helical Spring Lock Washer
LUG	Lug Bolt
NFC	National Fine Cap Screw
NPSM	National Pipe Straight Mechanical
NPTF	National Pipe Taper Fuel
P	Wide Plain Washer
PHMS	Pan Head Machine Screw
PLOW	Plow Bolt
RHMS	Round Head Machine Screw
RHSNB	Round Head Square Neck Bolt
SCREW LEVELING	Leveling Screw
SCREW THUMB	Thumb Screw
SCREW WELD	Weld Screw
SFCHMS	Slotted Flat Countersunk Head Machine Screw
SFHMS	Slotted Fillister Head Machine Screw
SP	Special
SP SCREW	Special Screw
SQHSS	Square Head Set Screw
SRHMS	Slotted Round Head Machine Screw
SSS	Socket Set Screw
STCS	Self Tapping Cap Screw
STHMS	Slotted Truss Head Machine Screw
WHEEL	Wheel Studs and Hub Long Bolts
WING	Wing Bolt

Replacement Hardware

The **Hardware Legend** above lists hardware abbreviations used in the parts list. All bolts and nuts are Grade 5 unless otherwise noted. The use of improper grades of hardware can result in personal injury, damage to equipment, or loss of property.

Colored Replacement Parts

Land Pride offers replacement parts in factory standard colors and also on select models in Green, Orange, Red and Blue. Because of the variety of colors available, special attention must be given to the part number to prevent ordering the wrong replacement part.

A suffix number corresponding to one of the colors below must be added at the end of Land Pride's part number when ordering a replacement part with that color.

81 Green 83 Red
82 Orange 84 Blue

For example, if you are ordering a replacement part with part number 555-555C and the part you need is red, then add the suffix 83 to the end of the number to make the part number read 555-555C83. Parts ordered without a suffix number will be supplied in factory standard colors.

Black Replacement Parts

Some parts are factory standard black and some must be special ordered black. If your part is special ordered black, a second part number with the additional suffix number 85 on the end will be available. In this situation you must order that part with the suffix number for it to be black. Parts that are factory standard black will not have the suffix number.

Part Number Service Coding

Within the parts list some part numbers are coded for revisions and interchangeability. See notations in revision column.

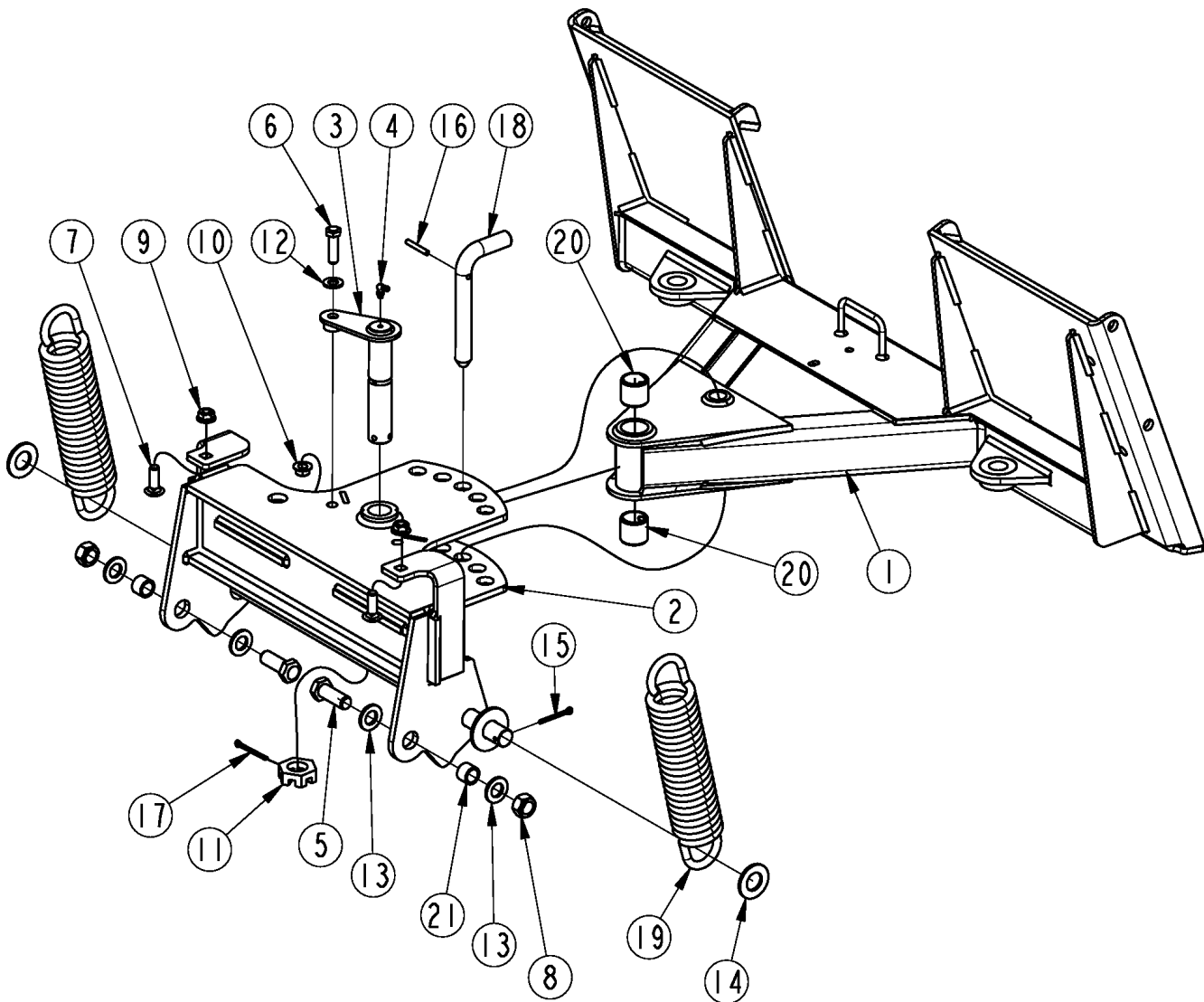
Serial Numbers

Always use the serial and model number when ordering parts. Refer to the Operator's Manual for serial number plate location.

- (S/N 20001+) Includes serial numbers 20001 and above (to the latest number)
- (S/N 10001 to 20000) Includes serial numbers between and including 10001 and 20000
- (S/N 10000-) Includes serial numbers 10000 and below (to the earliest number)

Hitch & Pivot Assembly

Applies to STB1060, STB1072



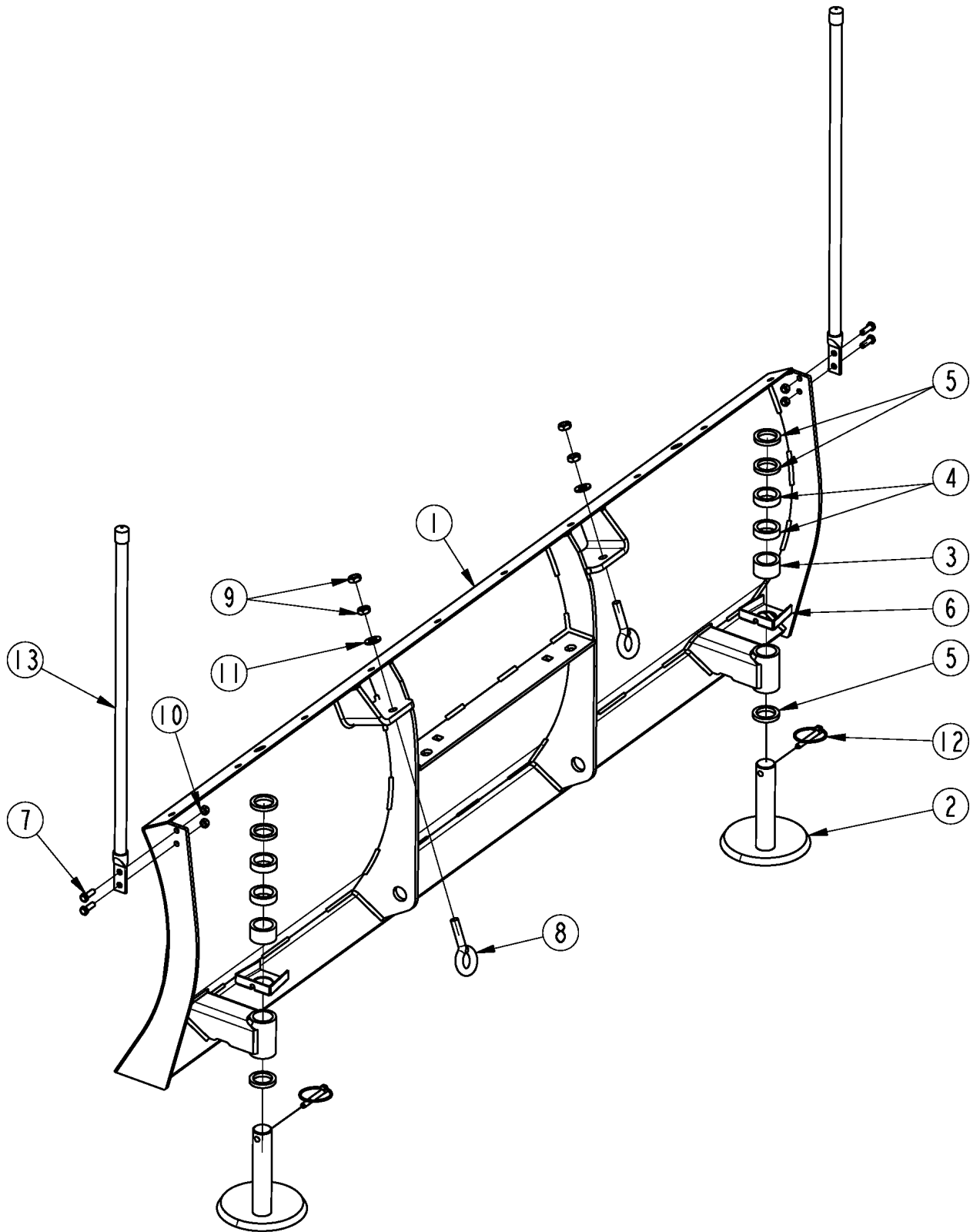
39404

Hitch & Pivot Assembly**Applies to STB1060, STB1072**

Ref	Part No.	Part Description	Comments	Revision
	Dwg 39404	Image No.		
1.	301-514H	STB HITCH ASSEMBLY		
2.	301-515H	PIVOT WELDMENT 10		
3.	330-616H	PIVOT PIN TANDEM ARM		
4.	800-073C	GREASE ZERK 1/4-28 X 90-DEG		
5.	802-064C	HHCS 3/4-10X2 GR5		
6.	802-082C	HHCS 1/2-13X1 3/4 GR5		
7.	802-106C	RHSNB 1/2-13X1 1/2 GR5		
8.	803-026C	NUT LOCK 3/4-10 PLT		
9.	803-037C	NUT HEX WHIZ 1/2-13 PLT		
10.	803-169C	NUT HEX FLG LOCK 1/2-13 PLT		
11.	803-381C	NUT HEX JAM SLOTTED 1 1/4-7		
12.	804-016C	WASHER FLAT 1/2 SAE PLT		
13.	804-025C	WASHER FLAT 3/4 SAE PLT		
14.	804-029C	WASHER FLAT 1 SAE		
15.	805-017C	PIN COTTER 3/16 X 1 3/4 PLT		
16.	805-041C	PIN ROLL 1/4X1 3/4		
17.	805-058C	PIN COTTER 3/16 X 2		
18.	805-516C	PIN BENT .88X5.12 USBL		
19.	807-342C	SPRING EXT 2.75ODX.44X13.38		
20.	891-177C	BHG 1.50ODX1.25X1.38		
21.	891-595C	BSHG 1OD X 11GWL X .75		

Trip Blade Moldboard

Applies to STB1060, STB1072



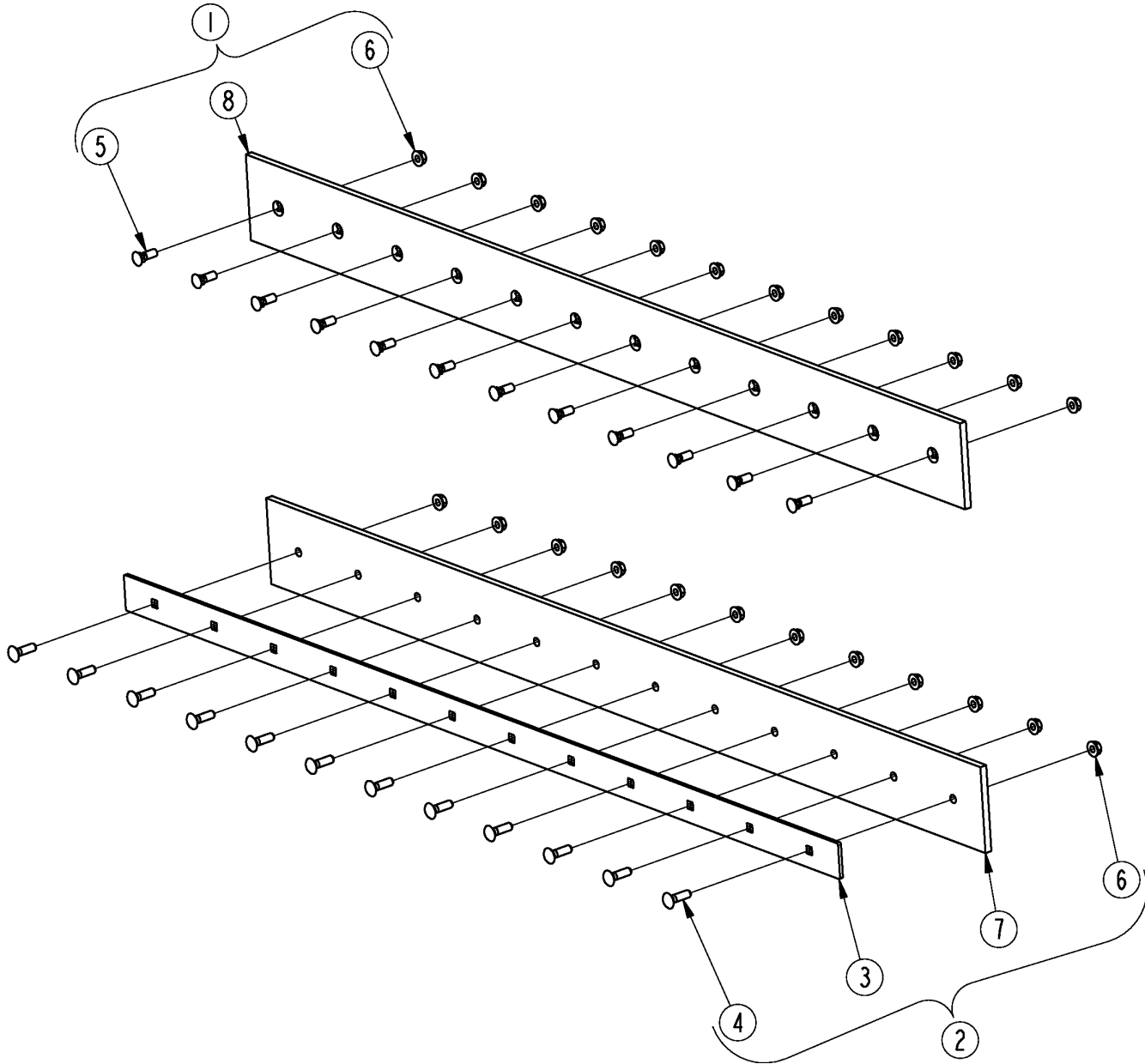
39403

Trip Blade Moldboard**Applies to STB1060, STB1072**

Ref	Part No.	Part Description	Comments	Revision
	Dwg 39403	Image No.		
1.	301-495H	21" X 60" TRIP BLADE MOLDBOARD		
1.	301-496H	21" X 72" TRIP BLADE MOLDBOARD		
2.	301-465H	AR400 TRIP BLADE SKID SHOE		
3.	310-251D	G.W. SPACER 1		
4.	310-252D	G.W. SPACER 1/2		
5.	310-359D	GW SPACER 1/4		
6.	332-029D	PROTECTOR LINCH PIN 1.31 HL	S/N 1120600+	
7.	802-159C	HHCS 5/16-18X1 GR5		
8.	802-655C	EYE-BOLT 1/2-13 PLT		
9.	803-036C	NUT HEX JAM 1/2-13 PLT		
10.	803-084C	NUT HEX NYLOCK 5/16-18 PLT		
11.	804-016C	WASHER FLAT 1/2 SAE PLT		
12.	805-158C	PIN LINCH 5/16 X 2 11/32	S/N 1120600+	
12.	805-015C	PIN LINCH 5/16 X 1 3/4	S/N 1120599-	
13.	891-123C	MARKER ORANGE 28"		

Cutting Edge Options

Applies to STB1060, STB1072



39395

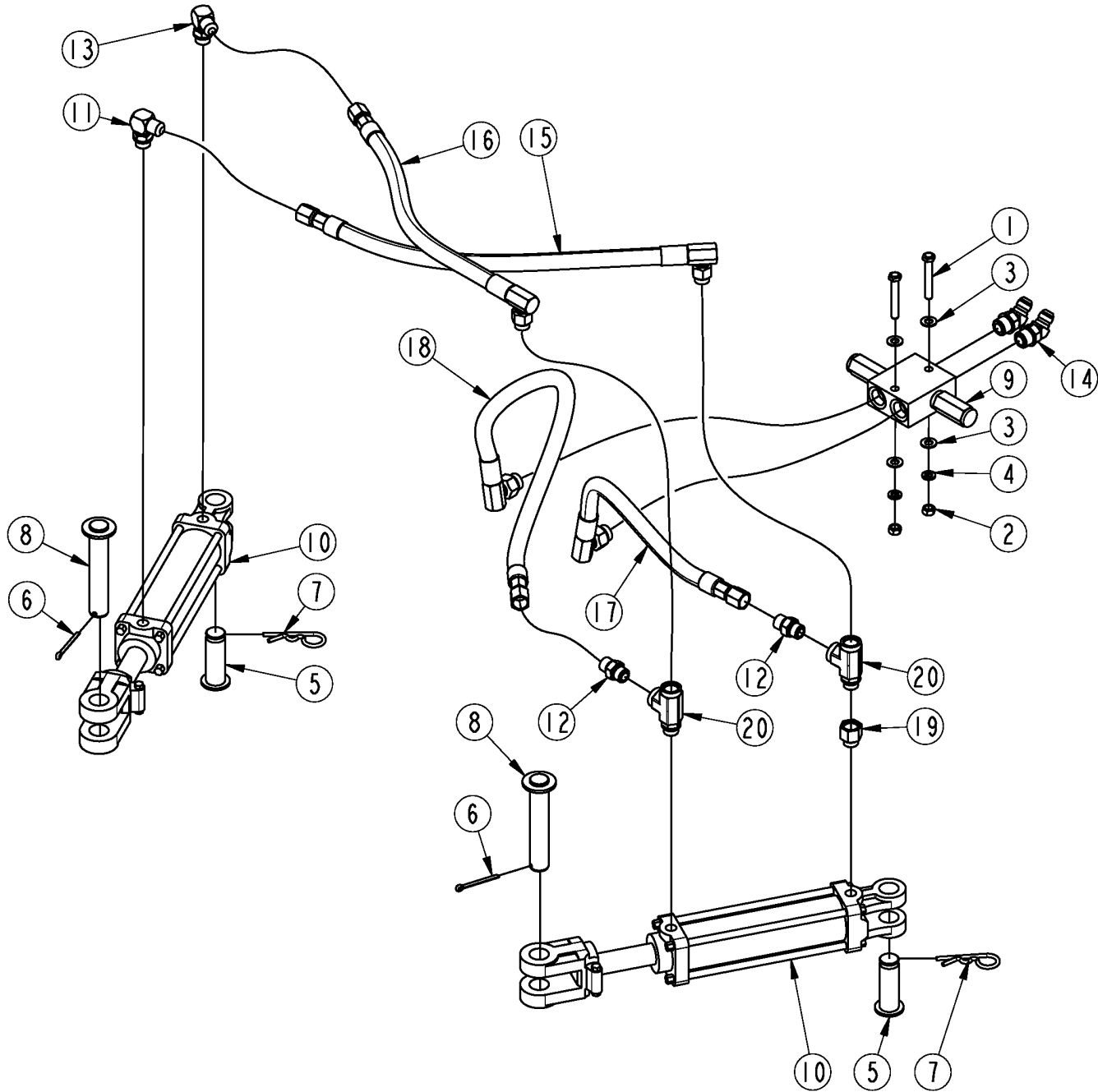
Cutting Edge Options

Applies to STB1060, STB1072

Ref	Part No.	Part Description	Comments	Revision
	Dwg 39395	Image No.		
1.	301-479A	STEEL CUTTING EDGE ASSY 60"	STB1060	
1.	301-480A	STEEL CUTTING EDGE ASSY 72"	STB1072	
2.	301-487A	POLY CUTTING EDGE ASSY 60"	STB1060	
2.	301-488A	POLY CUTTING EDGE ASSY 72"	STB1072	
3.	301-574D	POLY BLADE STRAP 60"	STB1060	
3.	301-575D	POLY BLADE STRAP 72"	STB1072	
4.	802-331C	RHSNB 1/2-13X1 3/4 GR5		
5.	802-354C	PLOW 1/2-13X1 1/2 GR5		
6.	803-037C	NUT HEX WHIZ 1/2-13 PLT		
7.	837-023C	POLY CUTTING EDGE 60"	STB1060 (10 bolt holes)	
7.	837-024C	POLY CUTTING EDGE 72"	STB1072 (12 bolt holes)	
8.	891-439C	STEEL CUTTING EDGE 60"	STB1060 (10 bolt holes)	
8.	891-440C	STEEL CUTTING EDGE 72"	STB1072 (12 bolt holes)	

Cylinder Dual & Cushion Valve S/N _____ +

Applies to STB1060, STB1072



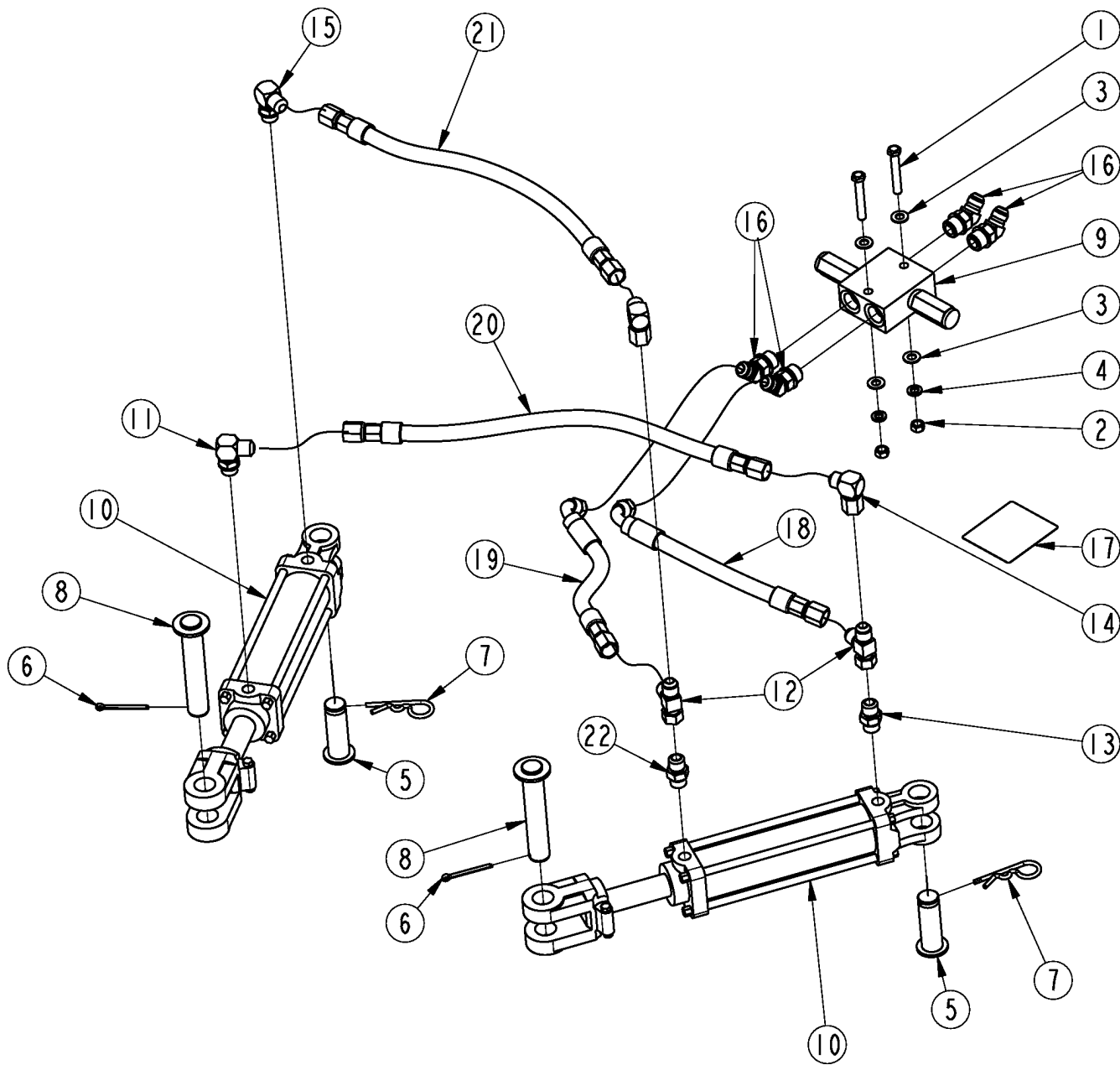
70971

Cylinder Dual & Cushion Valve S/N _____ +**Applies to STB1060, STB1072**

Ref	Part No.	Part Description	Comments	Revision
	Dwg 70971 301-534A	Image No. DUAL CYL W/CUSHION VALVE-10 *		
1.	802-114C	HHCS 3/8-16X2 1/2 GR5		
2.	803-014C	NUT HEX 3/8-16 PLT		
3.	804-012C	WASHER FLAT 3/8 SAE PLT		
4.	804-013C	WASHER LOCK SPRING 3/8 PLT		
5.	805-004C	PIN CLVS 1.0X2.75 USBL		
6.	805-058C	PIN COTTER 3/16 X 2		
7.	805-088C	PIN, HAIR COTTER 3/16 WIRE DIA		
8.	805-219C	PIN CLVS 1.0X5.0 USBL GR5		
9.	810-385C	VALVE CYLINDER CUSHION 1600PSI		
10.	810-601C	CYL 2X6X1.125 ROD (TIE ROD)		
11.	811-063C	EL 3/4MJIC 3/4MORB		
12.	811-088C	AD 3/4MORB 3/4MJIC		
13.	811-153C	OREL 1/16 3/4MJIC 3/4MORB		
14.	811-778C	EL 45 7/8MORB 3/4MJIC		
15.	861-345C	HH3/8R16 25 3/4FJIC3/4MORB90SW		
16.	861-345C	HH3/8R16 25 3/4FJIC3/4MORB90SW		
17.	861-346C	HH3/8R16 18 3/4FJIC7/8MROB90SW		
18.	861-346C	HH3/8R16 18 3/4FJIC7/8MROB90SW		
19.	861-347C	ORAD 5/64 3/4MORB 3/4FORB		
20.	861-348C	TE 3/4MORB 3/4FORB 3/4FORB		

Cylinder Dual & Cushion Valve S/N _____ -

Applies to STB1060, STB1072



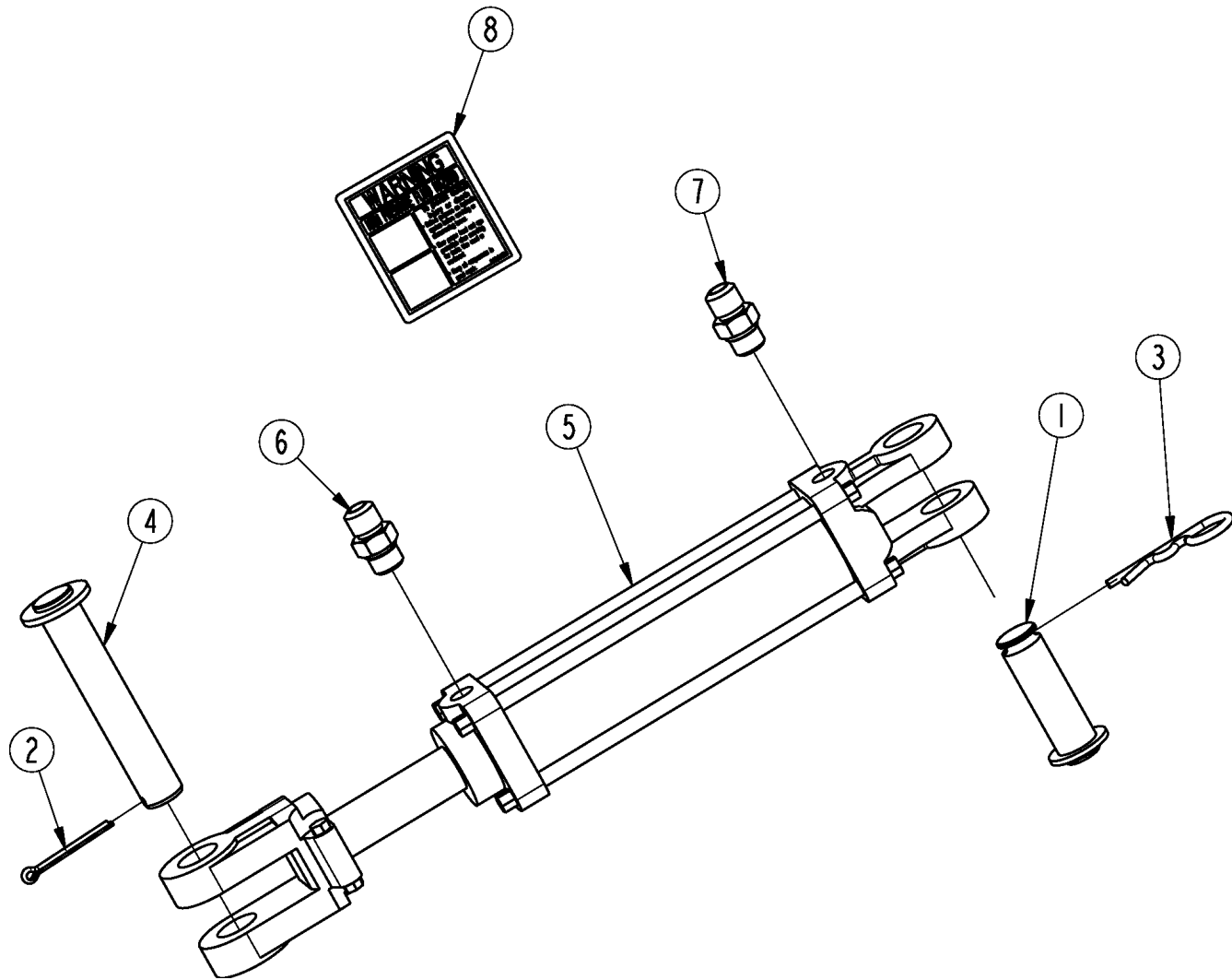
39397

Cylinder Dual & Cushion Valve S/N _____ -**Applies to STB1060, STB1072**

Ref	Part No.	Part Description	Comments	Revision
	Dwg 39397	Image No.		
1.	802-114C	HHCS 3/8-16X2 1/2 GR5		
2.	803-014C	NUT HEX 3/8-16 PLT		
3.	804-012C	WASHER FLAT 3/8 SAE PLT		
4.	804-013C	WASHER LOCK SPRING 3/8 PLT		
5.	805-004C	PIN CLVS 1.0X2.75 USBL		
6.	805-058C	PIN COTTER 3/16 X 2		
7.	805-088C	PIN, HAIR COTTER 3/16 WIRE DIA		
8.	805-219C	PIN CLVS 1.0X5.0 USBL GR5		
9.	810-385C	VALVE CYLINDER CUSHION 1600PSI		
10.	810-601C	CYL 2X6X1.125 ROD (TIE ROD)		
11.	811-063C	EL 3/4MJIC 3/4MORB		
12.	811-073C	TE 3/4MJIC 3/4MJIC 3/4FJIC		
13.	811-114C	ORAD 5/64 3/4MJIC 3/4MORB		
14.	811-150C	EL 3/4FJIC 3/4MJIC		
15.	811-153C	OREL 1/16 3/4MJIC 3/4MORB		
16.	811-778C	EL 45 7/8MORB 3/4MJIC		
17.	848-747C	DECAL HIGH PRESSURE FLUIDS		
18.	851-279C	RPBY 851-280C	S/N 1113000-	
19.	851-280C	HH3/8R16 018 3/4FJIC(1 90) TC		
20.	851-284C	HH3/8R16 025 3/4FJIC TC		
21.	851-284C	HH3/8R16 025 3/4FJIC TC		
22.	811-088C	AD 3/4MORB 3/4MJIC		

Cylinder Single Angling

Applies to STB1060, STB1072



39396

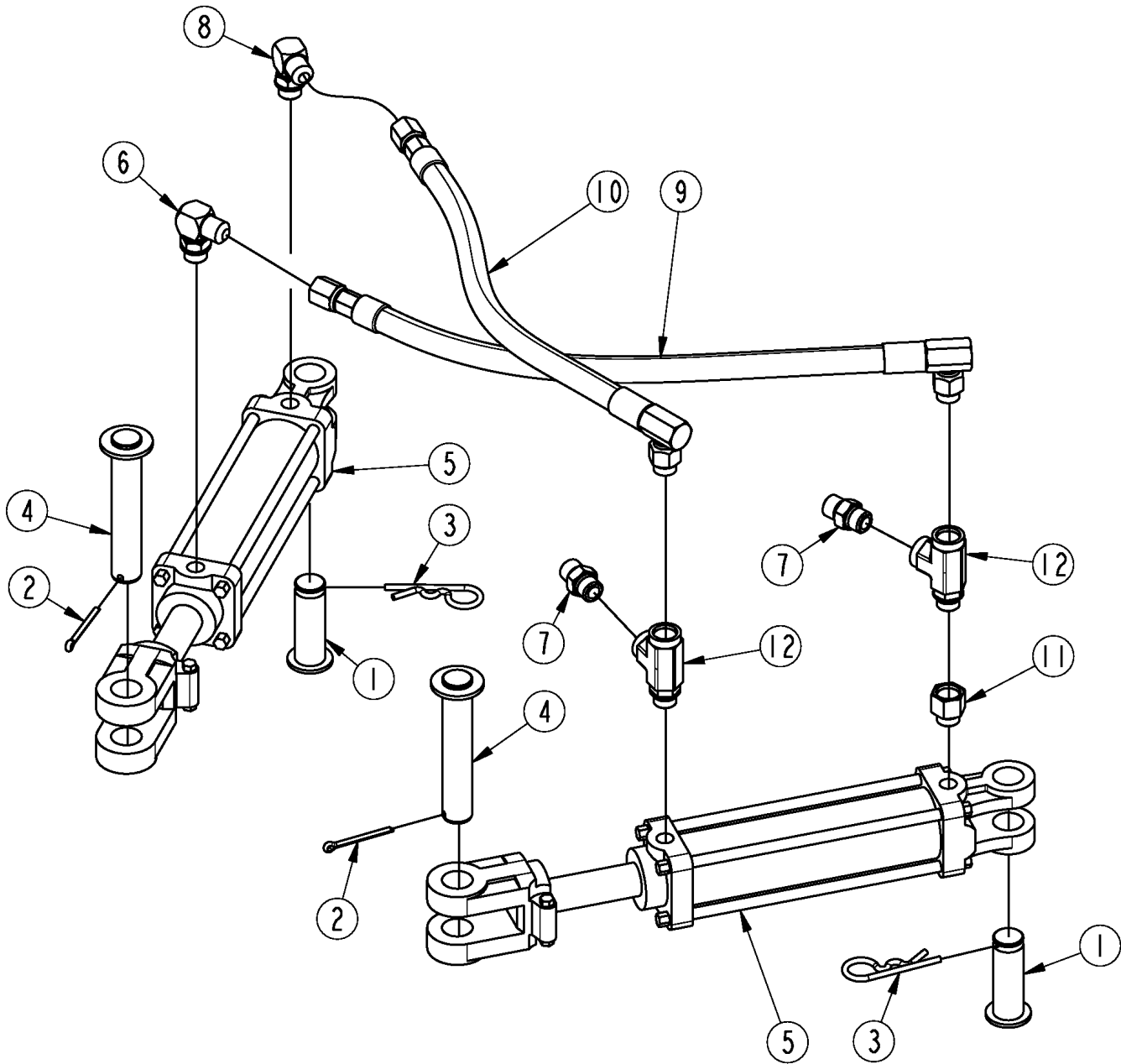
Cylinder Single Angling

Applies to STB1060, STB1072

Ref	Part No.	Part Description	Comments	Revision
	Dwg 39396	Image No.		
	301-492A	SINGLE ANGLING CYLINDER		
	*			
1.	805-004C	PIN CLVS 1.0X2.75 USBL		
2.	805-058C	PIN COTTER 3/16 X 2		
3.	805-088C	PIN, HAIR COTTER 3/16 WIRE DIA		
4.	805-219C	PIN CLVS 1.0X5.0 USBL GR5		
5.	810-601C	CYL 2X6X1.125 ROD (TIE ROD)		
6.	811-088C	AD 3/4MORB 3/4MJIC		
7.	811-114C	ORAD 5/64 3/4MJIC 3/4MORB		
8.	848-747C	DECAL HIGH PRESSURE FLUIDS		

Cylinders Dual Angling S/N _____ +

Applies to STB1060, STB1072



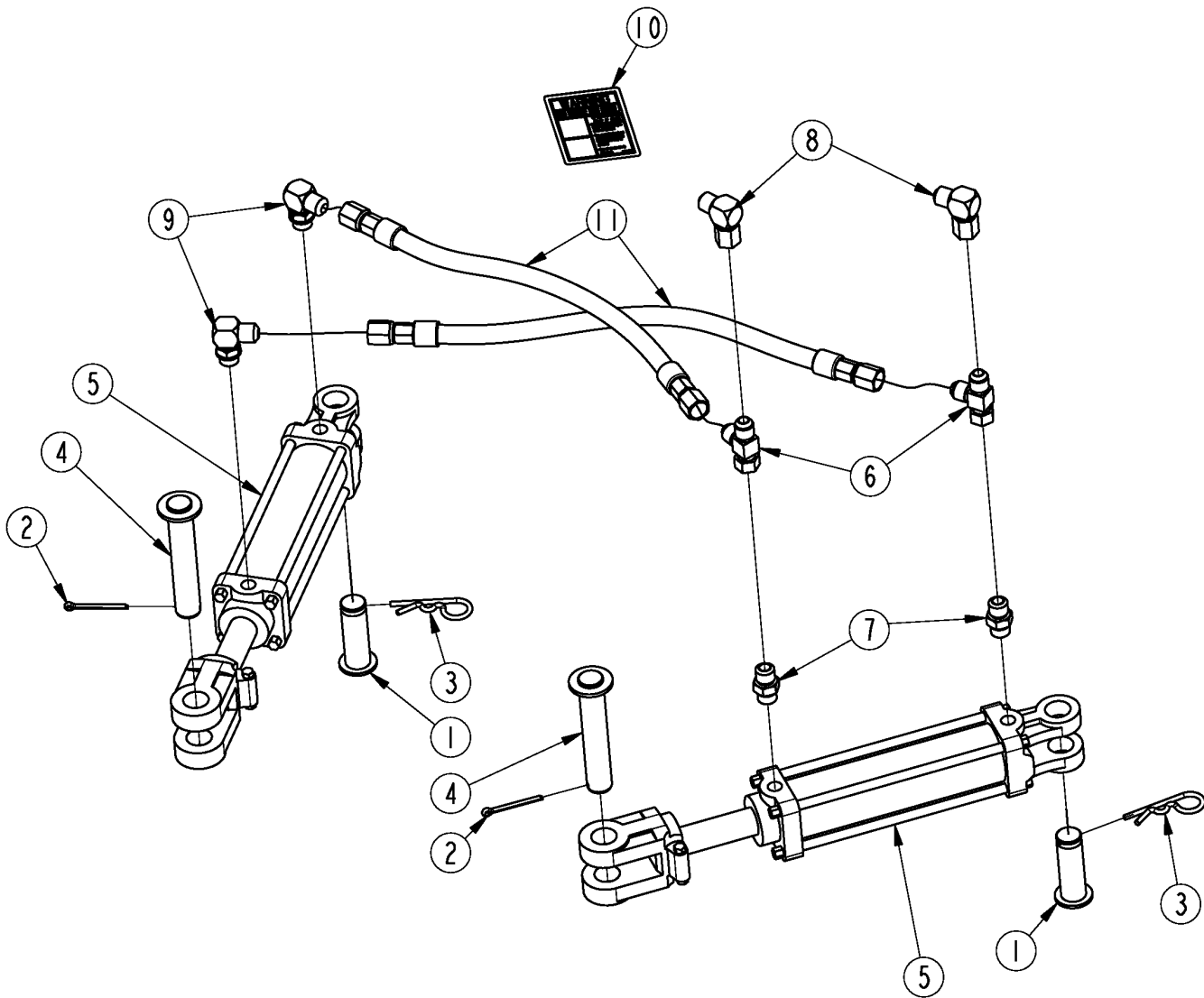
70970

Cylinders Dual Angling S/N _____ +**Applies to STB1060, STB1072**

Ref	Part No.	Part Description	Comments	Revision
	Dwg 70970 301-530A	Image No. DUAL ANGLING CYLINDERS - 10 *		
1.	805-004C	PIN CLVS 1.0X2.75 USBL		
2.	805-058C	PIN COTTER 3/16 X 2		
3.	805-088C	PIN, HAIR COTTER 3/16 WIRE DIA		
4.	805-219C	PIN CLVS 1.0X5.0 USBL GR5		
5.	810-601C	CYL 2X6X1.125 ROD (TIE ROD)		
6.	811-063C	EL 3/4MJIC 3/4MORB		
7.	811-088C	AD 3/4MORB 3/4MJIC		
8.	811-153C	OREL 1/16 3/4MJIC 3/4MORB		
9.	861-345C	HH3/8R16 25 3/4FJIC3/4MORB90SW		
10.	861-345C	HH3/8R16 25 3/4FJIC3/4MORB90SW		
11.	861-347C	ORAD 5/64 3/4MORB 3/4FORB		
12.	861-348C	TE 3/4MORB 3/4FORB 3/4FORB		

Cylinders Dual Angling S/N _____ -

Applies to STB1060, STB1072



39398

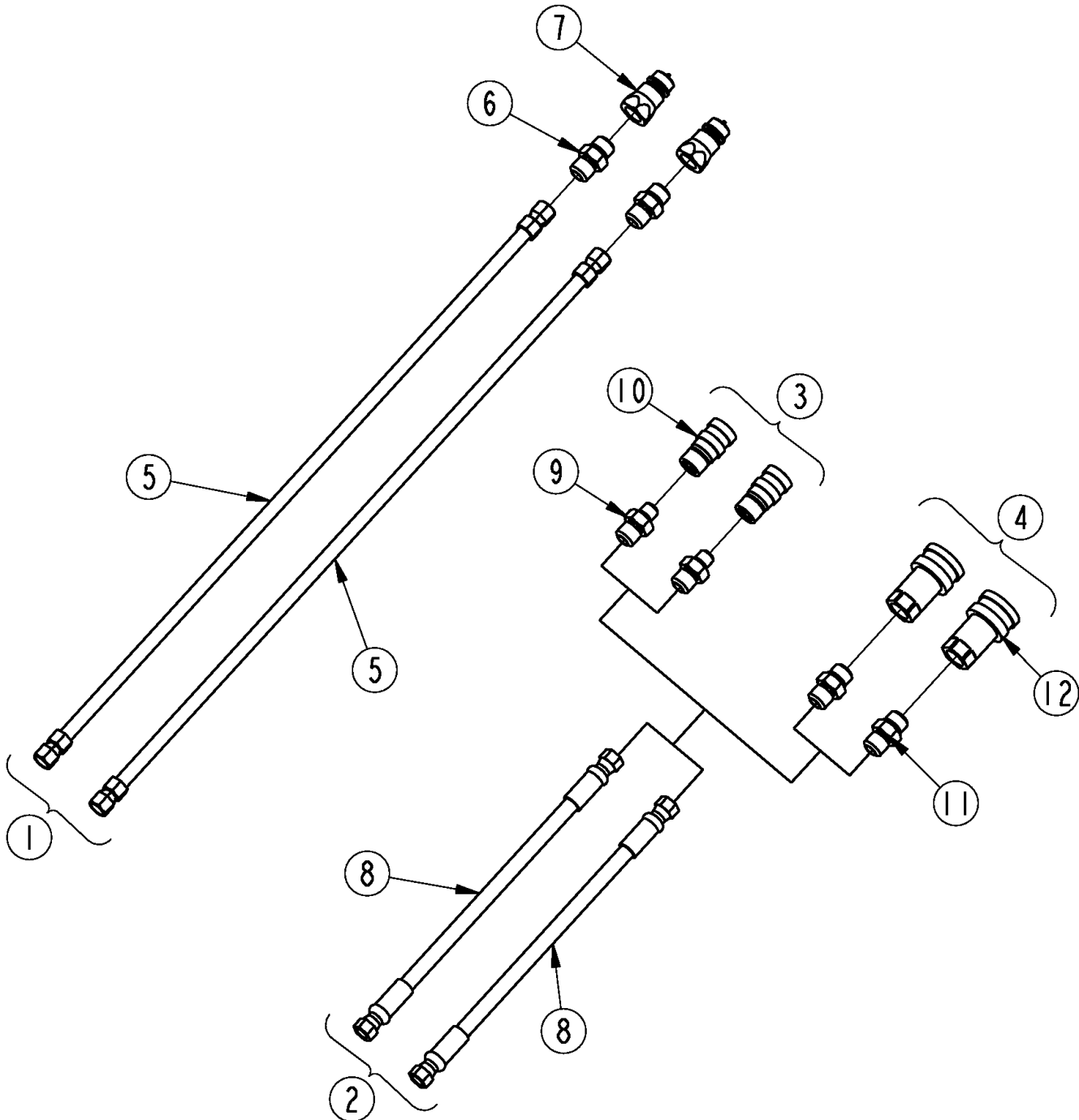
Cylinders Dual Angling S/N _____ -

Applies to STB1060, STB1072

Ref	Part No.	Part Description	Comments	Revision
	Dwg 39398	Image No.		
1.	805-004C	PIN CLVS 1.0X2.75 USBL		
2.	805-058C	PIN COTTER 3/16 X 2		
3.	805-088C	PIN, HAIR COTTER 3/16 WIRE DIA		
4.	805-219C	PIN CLVS 1.0X5.0 USBL GR5		
5.	810-601C	CYL 2X6X1.125 ROD (TIE ROD)		
6.	811-073C	TE 3/4MJIC 3/4MJIC 3/4FJIC		
7.	811-088C	AD 3/4MORB 3/4MJIC		
8.	811-150C	EL 3/4FJIC 3/4MJIC		
9.	811-153C	OREL 1/16 3/4MJIC 3/4MORB		
10.	848-747C	DECAL HIGH PRESSURE FLUIDS		
11.	851-284C	HH3/8R16 025 3/4FJIC TC		

Hose & Coupler Options

Applies to STB1060, STB1072



39736

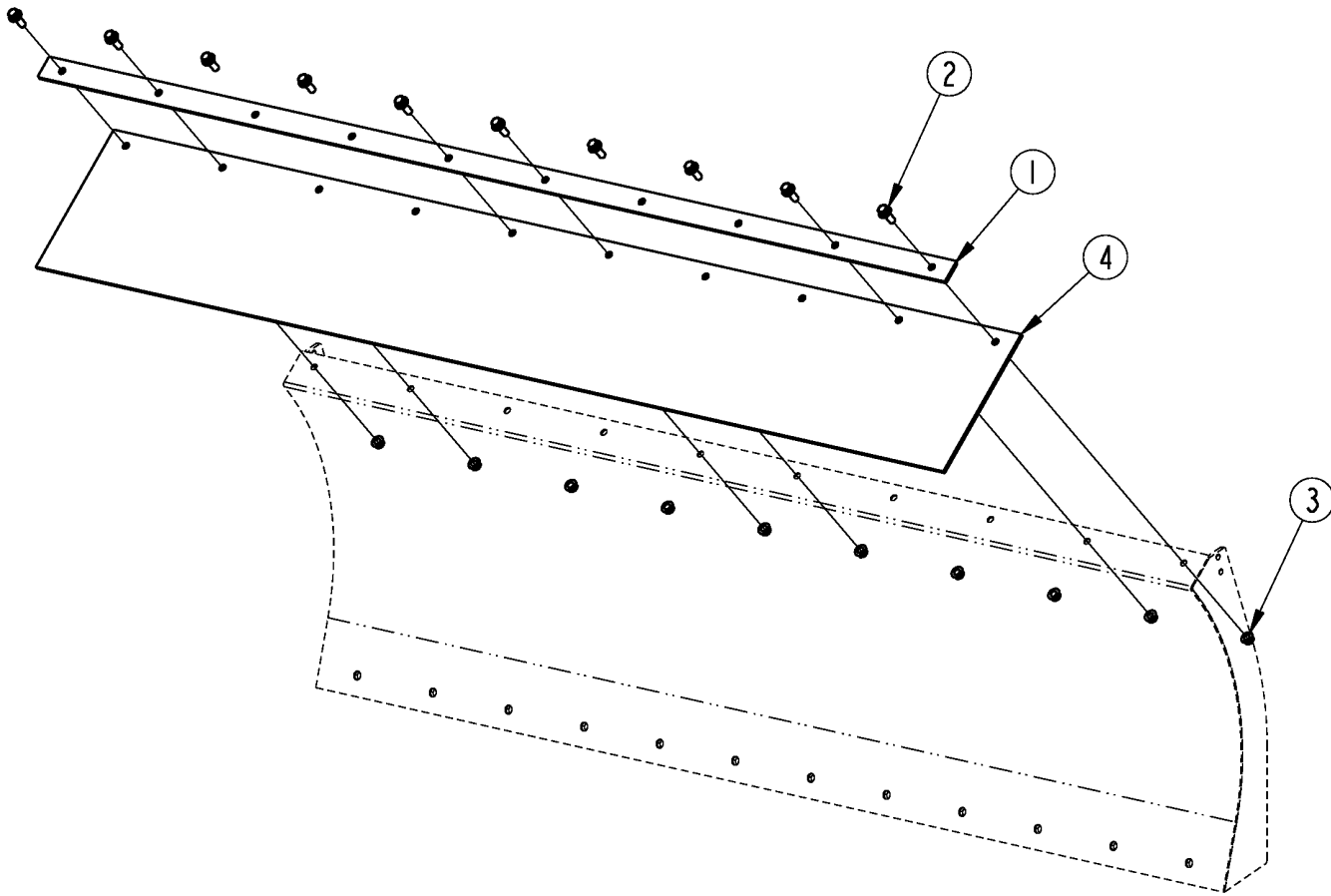
Hose & Coupler Options

Applies to STB1060, STB1072

Ref	Part No.	Part Description	Comments	Revision
	Dwg 39736	Image No.		
1.	301-506A	24' TRACTOR HOSES		
2.	301-507A	TRACTOR HOSES - FRONT		
3.	301-509A	SMALL TRACTOR POPPET COUPLERS		
4.	301-508A	LARGE TRACTOR POPPET COUPLERS		
5.	811-969C	HH3/8R2 283 3/4FJIC		
6.	811-088C	AD 3/4MORB 3/4MJIC		
7.	811-394C	CP 3/4FORB MALE QD POPPET TYPE		
8.	851-283C	HH3/8R16 068 3/4FJIC TC		
9.	811-584C	AD 9/16MORB 3/4MJIC		
10.	841-466C	CP 9/16FORB QD 1/4BODY FEMALE		
11.	811-088C	AD 3/4MORB 3/4MJIC		
12.	811-870C	CP 3/4FORB QD FEMALE (POPPET		

Rubber Deflector

Applies to STB1060, STB1072



39394

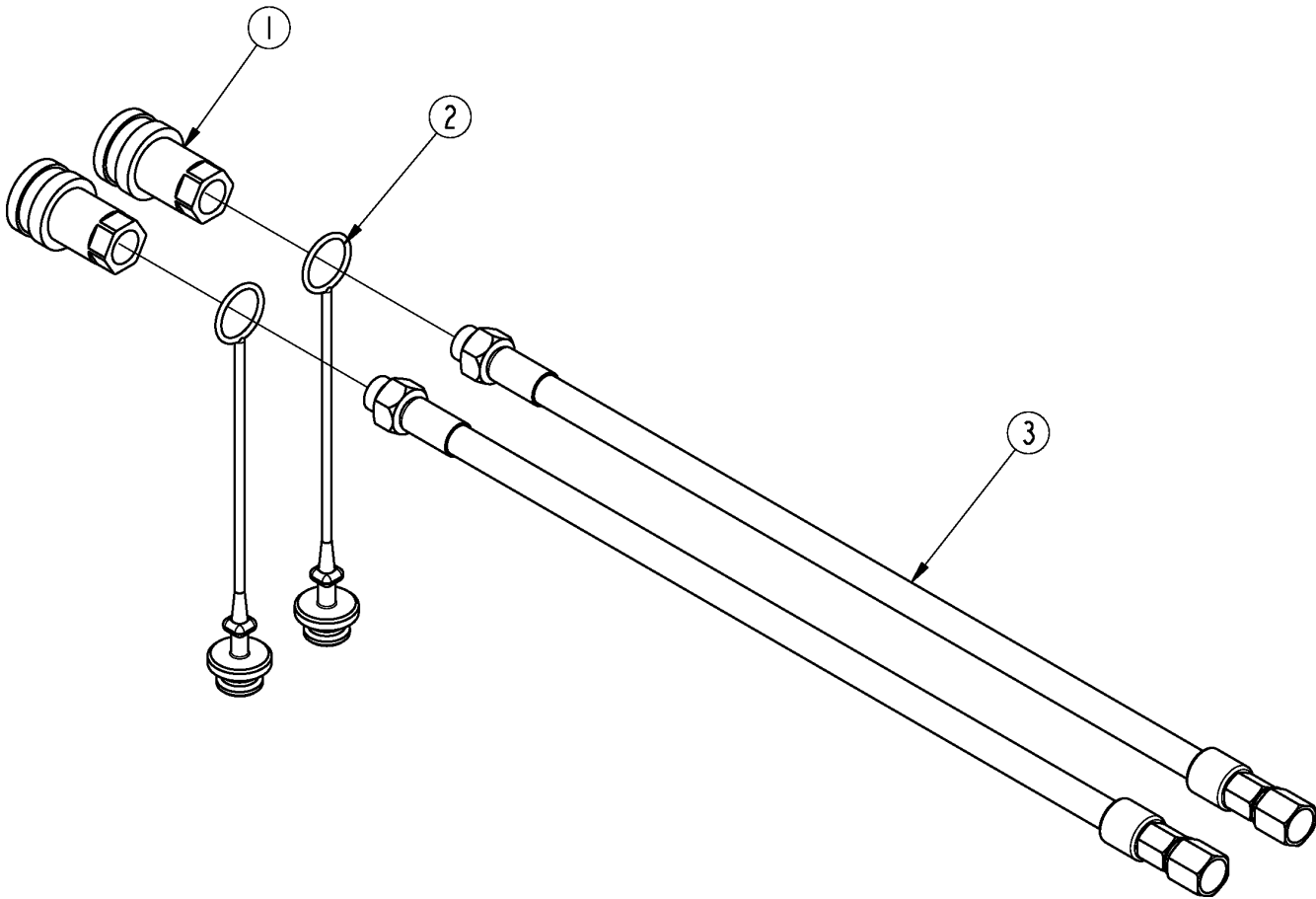
Rubber Deflector

Applies to STB1060, STB1072

Ref	Part No.	Part Description	Comments	Revision
	Dwg 39394	Image No.		
	301-483A	TOP RUBBER DEFLECTOR 60"	STB1060	
	301-484A	TOP RUBBER DEFLECTOR 72"	STB1072	
	*			
1.	301-570D	DEFLECTOR STRAP 60"	STB1060 (8 bolt holes)	
1.	301-571D	DEFLECTOR STRAP 72"	STB1072 (10 bolt holes)	
2.	802-388C	HFS 3/8-16X1 GR5		
3.	803-209C	NUT FLANGE LOCK 3/8-16 PLT		
4.	816-809C	TRIP BLADE DEFLECTOR FLAP 60"	STB1060 (8 bolt holes)	
4.	816-810C	TRIP BLADE DEFLECTOR FLAP 72"	STB1072 (10 bolt holes)	

Third Function Valve Hose Kit 301-565A

Applies to STB1060, STB1072



39946

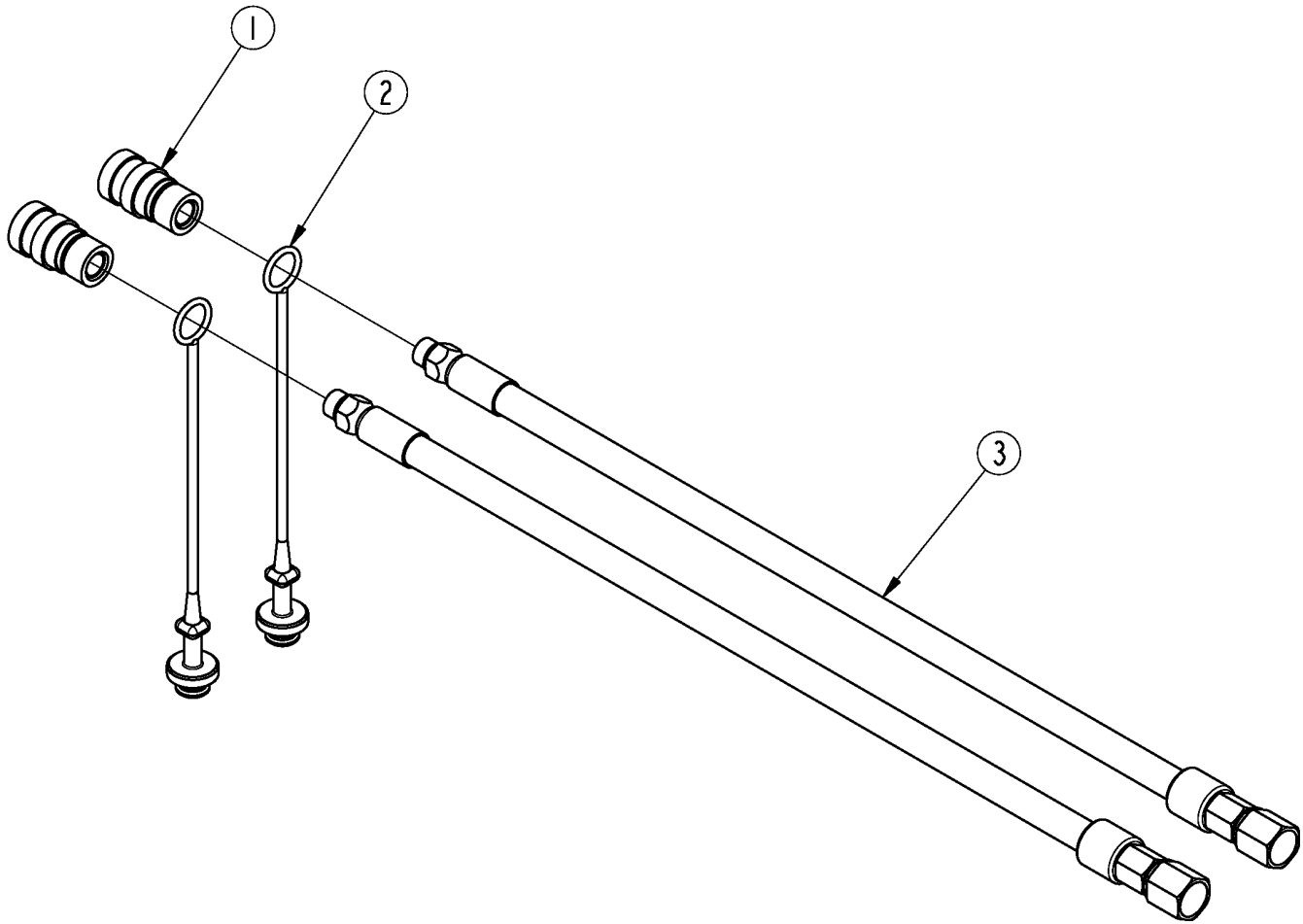
Third Function Valve Hose Kit 301-565A

Applies to STB1060, STB1072

Ref	Part No.	Part Description	Comments	Revision
	Dwg 39946 301-565A	Image No. HOSE KIT, THIRD FUNCTION	For third function valve kits 380-093A, 380-152A, 380-168A and 380-166A	
		*		
1.	811-870C	CP 3/4FORB QD FEMALE (POPPET)		
2.	851-975C	DUST PLUG, 1/2" QD AG		
3.	861-076C	HH3/8R2 066 3/4FJIC 3/4MORB		

Third Function Valve Hose Kit 301-566A

Applies to STB1060, STB1072



39947

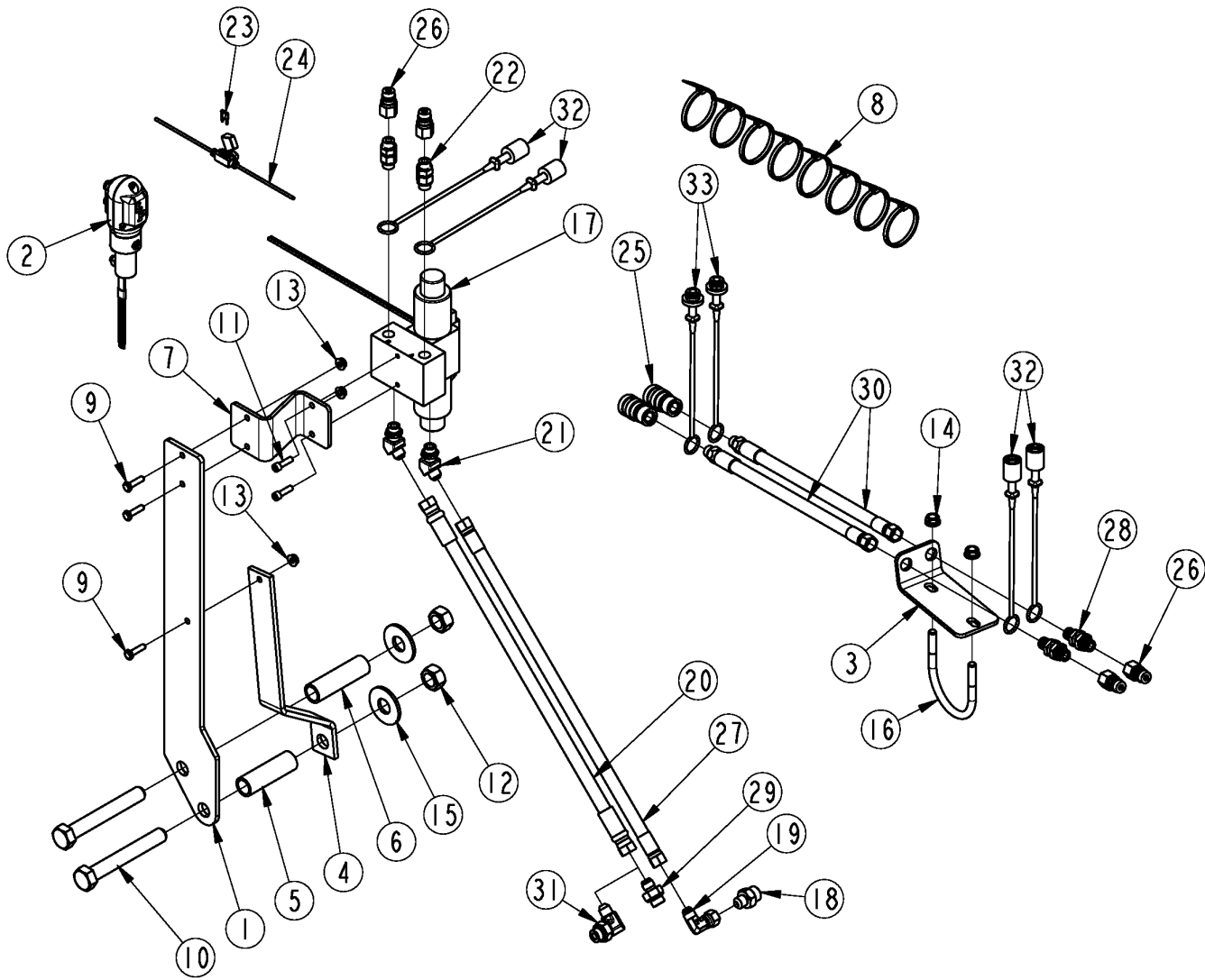
Third Function Valve Hose Kit 301-566A

Applies to STB1060, STB1072

Ref	Part No.	Part Description	Comments	Revision
	Dwg 39947 301-566A	Image No. HOSE KIT, THIRD FUNCTION *	For third function valve kit 380-149A	
1.	841-466C	CP 9/16FORB QD 1/4BODY FEMALE		
2.	851-977C	DUST PLUG, 1/4" QD AG		
3.	861-075C	HH3/8R2 056 3/4FJIC 9/16MORB		

Third Function Valve Kit 380-149A for Kubota B2620 & LA364 or B2320 & LA304 or B2301 & B2601 & LA434

Applies to STB1060, STB1072



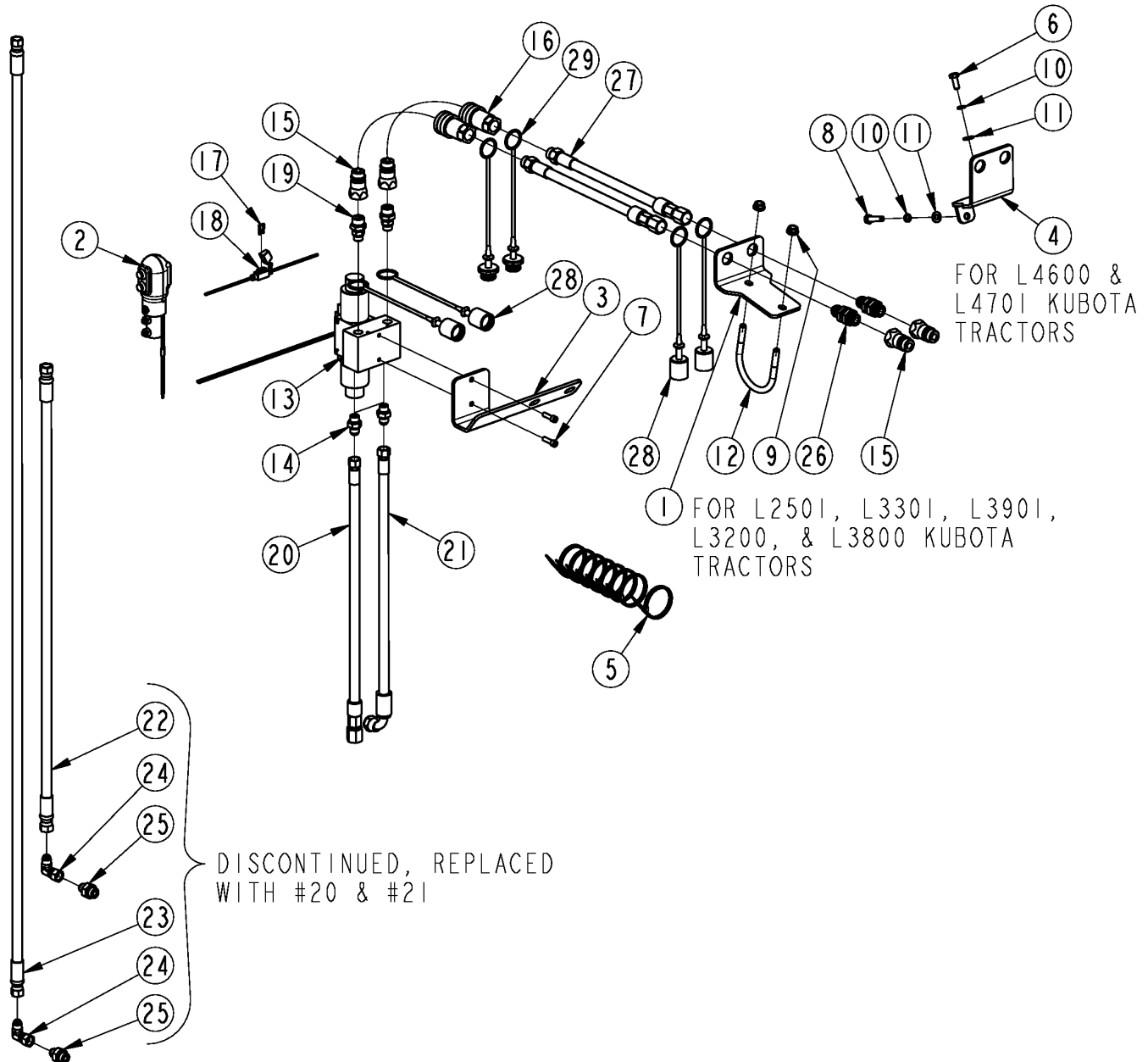
Third Function Valve Kit 380-149A for Kubota B2620 & LA364 or B2320 & LA304 or B2301 & B2601 & LA434

Applies to STB1060, STB1072

Part No.	Part Description	Comments	Revision
Dwg 37426	Drawing Image Number		
380-149A	VALVE KIT B23/2620 3RD FNCTION *		
1.	380-165D	PLATE, VALVE MOUNT	
2.	380-165S	ASY, PUSH BUTTON CNTRL HNDL	
3.	380-223D	PLATE, BX BLKHD MOUNT	
4.	380-230D	STRAP, VALVE MNT SUPPORT	
5.	380-231D	TUBE RND DOM. 1ODX.120WLX3.22L	
6.	380-232D	TUBE RND DOM. 1ODX.120WLX3.50L	
7.	380-233D	BRKT, VALVE OFFSET	
8.	800-112C	CABLE TIE .19X7.25 1.75D 50LB	
9.	802-005C	HHCS 1/4-20X1 GR5	
10.	802-230C	HHCS M18X2.5X130 DIN933 FTHD	
11.	802-418C	HSHCS 1/4-20X7/8	
12.	803-112C	NUT HEX M18X2.5	
13.	803-194C	NUT HEX WHIZ 1/4-20 PLT	
14.	803-198C	NUT HEX WHIZ 3/8-16 PLT	
15.	804-024C	WASHER FLAT 3/4 USS PLT	
16.	806-261C	U-BOLT 3/8-16X3X3 5/8 RND	
17.	810-926C	VALVE, THIRD FUNCTION	
18.	811-133C	AD 9/16MJIC 3/4MORB	
19.	811-169C	EL 9/16MJIC 9/16FJIC	
20.	811-253C	HH3/8R2 062 9/16FJIC	
21.	811-416C	EL 45 9/16MJIC 9/16MORB	
22.	811-636C	AD 9/16MORB STRAIGHT UNION	
23.	833-495C	FUSE, 10 AMP MINI BLADE	
24.	833-650C	BLADE FUSE HOLDER, MINI	
25.	841-466C	CP 9/16FORB QD 1/4BODY FEMALE	
26.	841-467C	CP 9/16 FORB QD 1/4 BODY MALE	
27.	841-563C	HH3/8R2 048 FJIC9/16FJIC9/16	
28.	851-276C	AD 9/16MJIC9/16MORB BLKHD W/LN	
29.	851-349C	AD 9/16MJIC 3/8MBSPP	
30.	851-350C	HH1/4R2 072 9/16MORB 9/16FJIC	
31.	851-768C	EL 3/8MBSPP 9/16MJIC	For B2301 & B2601 tractors with LA434 loaders
32.	851-976C	DUST CAP, 1/4" QD AG	
33.	851-977C	DUST PLUG, 1/4" QD AG	

Third Function Valve Kit 380-152A for Kubota L2501 L3200 L3800 L3301 L3901 L4600 & L4701

Applies to STB1060, STB1072

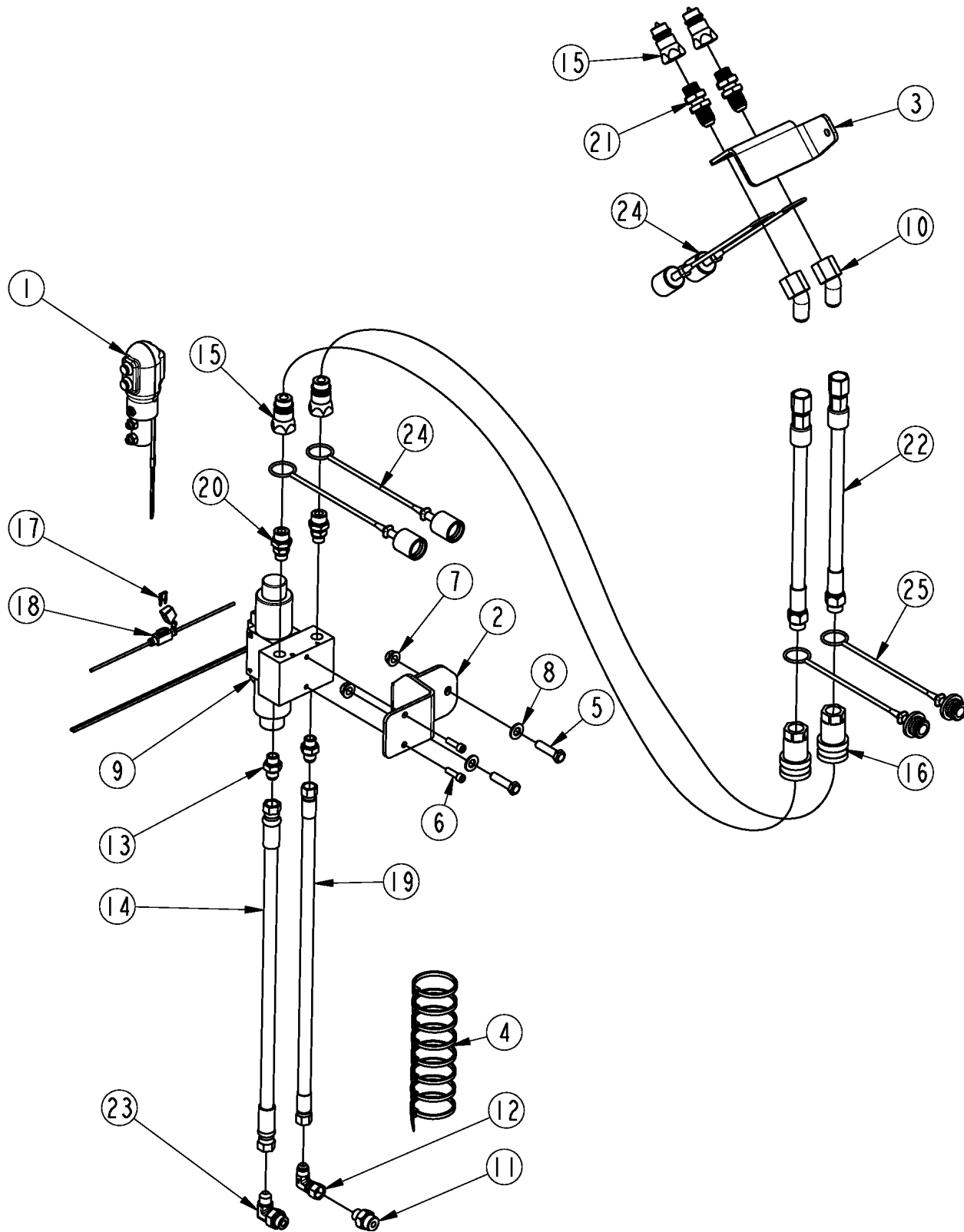


Third Function Valve Kit 380-152A for Kubota L2501 L3200 L3800 L3301 L3901 L4600 & L4701

Applies to STB1060, STB1072				
Ref	Part No.	Part Description	Comments	Revision
	Dwg 37198	Image No.		
	380-152A	VALVE KIT L3301 3RD FNCTION *		
1.	380-164D	PLATE, BLKHD MOUNT		
2.	380-165S	ASY, PUSH BUTTON CNTRL HNDL		
3.	380-234D	BRKT, VALVE MOUNT		
4.	380-255D	PLATE, BLKHD MOUNT		
5.	800-112C	CABLE TIE .19X7.25 1.75D 50LB		
6.	802-314C	HHCS M8X1.25X20 GR8.8		
7.	802-418C	HSHCS 1/4-20X7/8		
8.	802-967C	HHCS M8X1.25X35 GR8.8		
9.	803-198C	NUT HEX WHIZ 3/8-16 PLT		
10.	804-157C	WASHER SPRING LOCK M8 PLT		
11.	804-161C	WASHER FLAT M8 PLT		
12.	806-261C	U-BOLT 3/8-16X3X3 5/8 RND		
13.	810-926C	VALVE, THIRD FUNCTION		
14.	811-170C	AD 9/16MORB 9/16MJIC		
15.	811-394C	CP 3/4FORB MALE QD POPPET TYPE		
16.	811-870C	CP 3/4FORB QD FEMALE (POPPET)		
17.	833-495C	FUSE, 10 AMP MINI BLADE		
18.	833-650C	BLADE FUSE HOLDER, MINI		
19.	851-084C	AD 9/16MORB 3/4MORB		
20.	841-331C	HH3/8R2 035 3/4FJIC 9/16FJIC		
21.	851-490C	HH3/8R2 035 3/4FJIC90 9/16FJIC		
22.	811-701C	HH3/8R2 033 9/16FJIC		
23.	811-703C	HH3/8R2 068 9/16FJIC		
24.	811-169C	EL 9/16MJIC 9/16FJIC		
25.	851-349C	AD 9/16MJIC 3/8MBSPP		
26.	851-344C	AD 3/4MJIC 3/4MORB BLKHD W/ LN		
27.	851-376C	HH3/8R2 086 3/4FJIC 3/4MORB		
28.	851-974C	DUST CAP, 1/2" QD AG		
29.	851-975C	DUST PLUG, 1/2" QD AG		

Third Function Valve Kit 380-168A for Kubota B3350 B2650 & LA534 LA534A

Applies to STB1060, STB1072



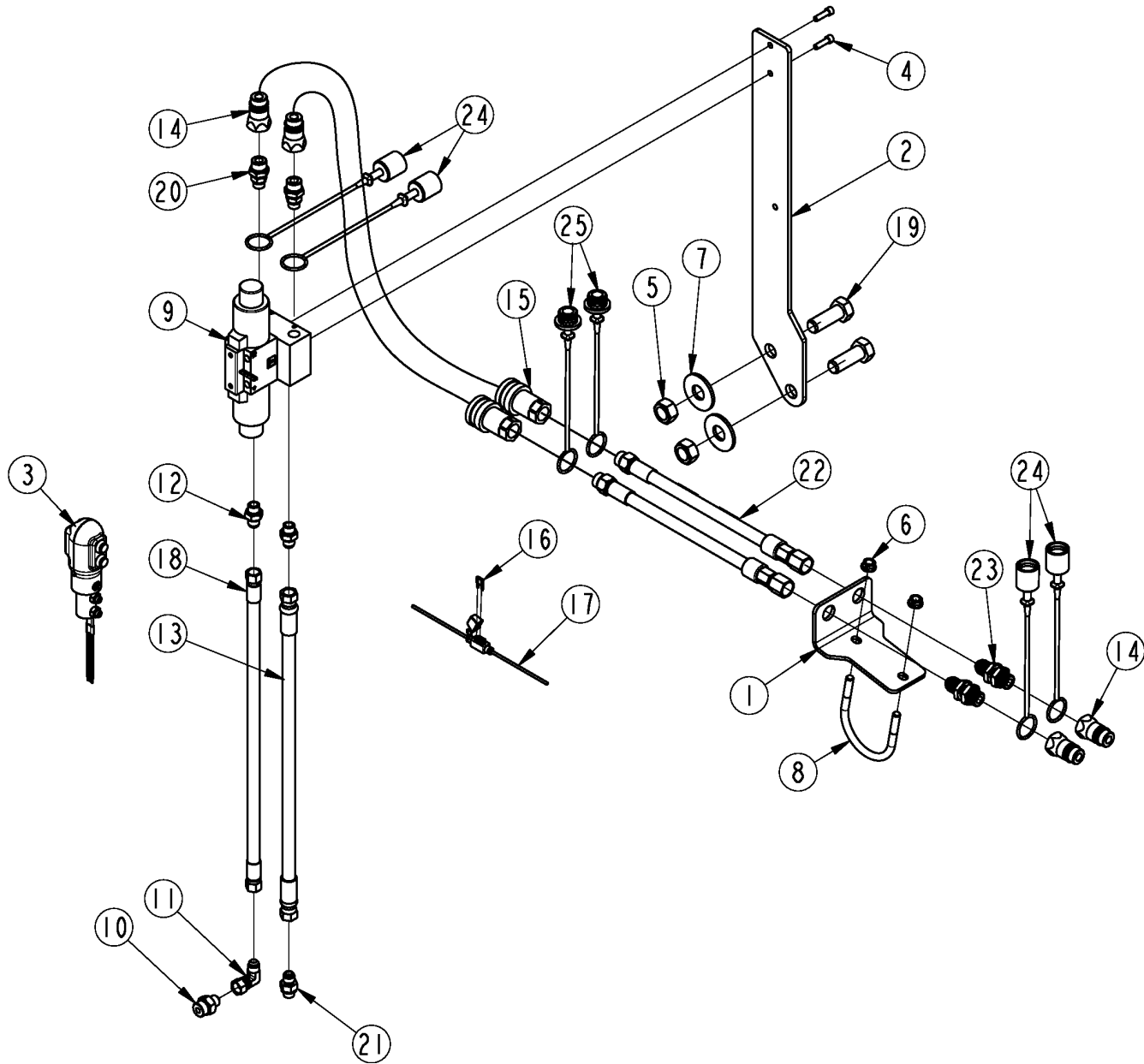
37632

Third Function Valve Kit 380-168A for Kubota B3350 B2650 & LA534 LA534A**Applies to STB1060, STB1072**

Ref	Part No.	Part Description	Comments	Revision
	Dwg 37632	Image No.		
	380-168A	VALVE KIT B3350 3RD FNCTION		
1.	380-165S	ASY, PUSH BUTTON CNTRL HNDL		
2.	380-256D	BRKT, VALVE MOUNT		
3.	380-257D	PLATE, BLKHD MOUNT		
4.	800-112C	CABLE TIE .19X7.25 1.75D 50LB		
5.	802-022C	HHCS 3/8-16X1 1/2 GR5		
6.	802-418C	HSHCS 1/4-20X7/8		
7.	803-209C	NUT FLANGE LOCK 3/8-16 PLT		
8.	804-012C	WASHER FLAT 3/8 SAE PLT		
9.	810-926C	VALVE, THIRD FUNCTION		
10.	811-040C	EL 45 3/4MJIC 3/4FJIC		
11.	811-133C	AD 9/16MJIC 3/4MORB		
12.	811-169C	EL 9/16MJIC 9/16FJIC		
13.	811-170C	AD 9/16MORB 9/16MJIC		
14.	811-253C	HH3/8R2 062 9/16FJIC		
15.	811-394C	CP 3/4FORB MALE QD POPPET TYPE		
16.	811-870C	CP 3/4FORB QD FEMALE (POPPET)		
17.	833-495C	FUSE, 10 AMP MINI BLADE		
18.	833-650C	BLADE FUSE HOLDER, MINI		
19.	841-563C	HH3/8R2 048 FJIC9/16FJIC9/16		
20.	851-084C	AD 9/16MORB 3/4MORB		
21.	851-344C	AD 3/4MJIC 3/4MORB BLKHD W/ LN		
22.	851-376C	HH3/8R2 086 3/4FJIC 3/4MORB		
23.	851-768C	EL 3/8MBSPP 9/16MJIC		
24.	851-974C	DUST CAP, 1/2" QD AG		
25.	851-975C	DUST PLUG, 1/2" QD AG		

Thrid Function Valve Kit 380-093A for Kubota B3300 & LA504

Applies to STB1060, STB1072

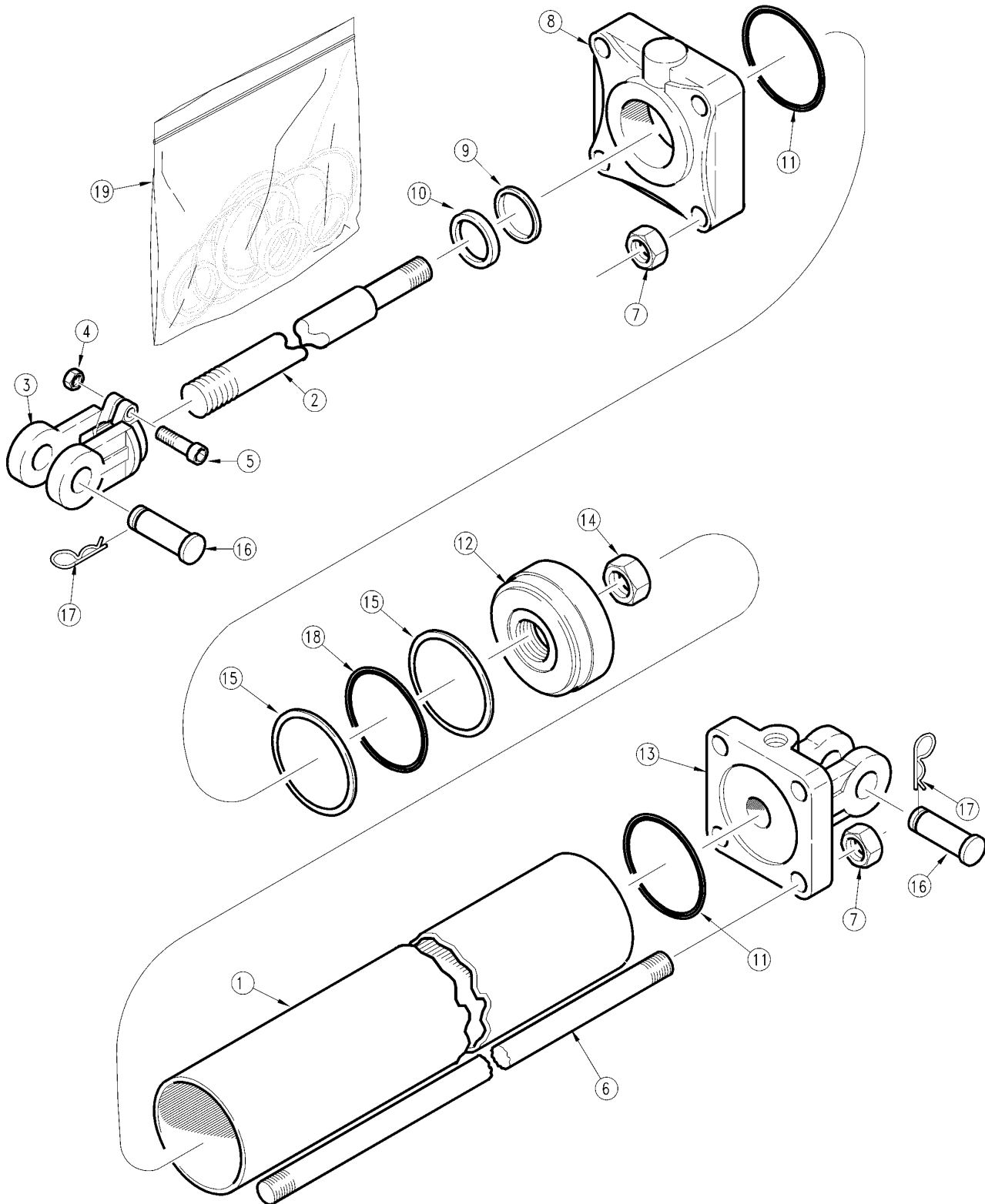


Thrid Function Valve Kit 380-093A for Kubota B3300 & LA504**Applies to STB1060, STB1072**

Ref	Part No.	Part Description	Comments	Revision
	Dwg 37013	Drawing Image Number		
	380-093A	VALVE KIT B3300 3RD FNCTION *		
1.	380-164D	PLATE, BLKHD MOUNT		
2.	380-165D	PLATE, VALVE MOUNT		
3.	380-165S	ASY, PUSH BUTTON CNTRL HNDL		
4.	802-418C	HSHCS 1/4-20X7/8		
5.	803-112C	NUT HEX M18X2.5		
6.	803-198C	NUT HEX WHIZ 3/8-16 PLT		
7.	804-024C	WASHER FLAT 3/4 USS PLT		
8.	806-261C	U-BOLT 3/8-16X3X3 5/8 RND		
9.	810-926C	VALVE, THIRD FUNCTION		
10.	811-133C	AD 9/16MJIC 3/4MORB		
11.	811-169C	EL 9/16MJIC 9/16FJIC		
12.	811-170C	AD 9/16MORB 9/16MJIC		
13.	811-253C	HH3/8R2 062 9/16FJIC		
14.	811-394C	CP 3/4FORB MALE QD POPPET TYPE		
15.	811-870C	CP 3/4FORB QD FEMALE (POPPET)		
16.	833-495C	FUSE, 10 AMP MINI BLADE		
17.	833-650C	BLADE FUSE HOLDER, MINI		
18.	841-563C	HH3/8R2 048 FJIC9/16FJIC9/16		
19.	842-216C	HHCS M18X2.5X50 GR8.8 FTHD		
20.	851-084C	AD 9/16MORB 3/4MORB		
21.	851-087C	AD 9/16MJIC 1/4MBSPP		
22.	851-088C	HH3/8R2 074 3/4FJIC 3/4MORB		
23.	851-344C	AD 3/4MJIC 3/4MORB BLKHD W/ LN		
24.	851-974C	DUST CAP, 1/2" QD AG		
25.	851-975C	DUST PLUG, 1/2" QD AG		

Hydraulic Cylinder (810-601C) Midway

Applies to STB1060



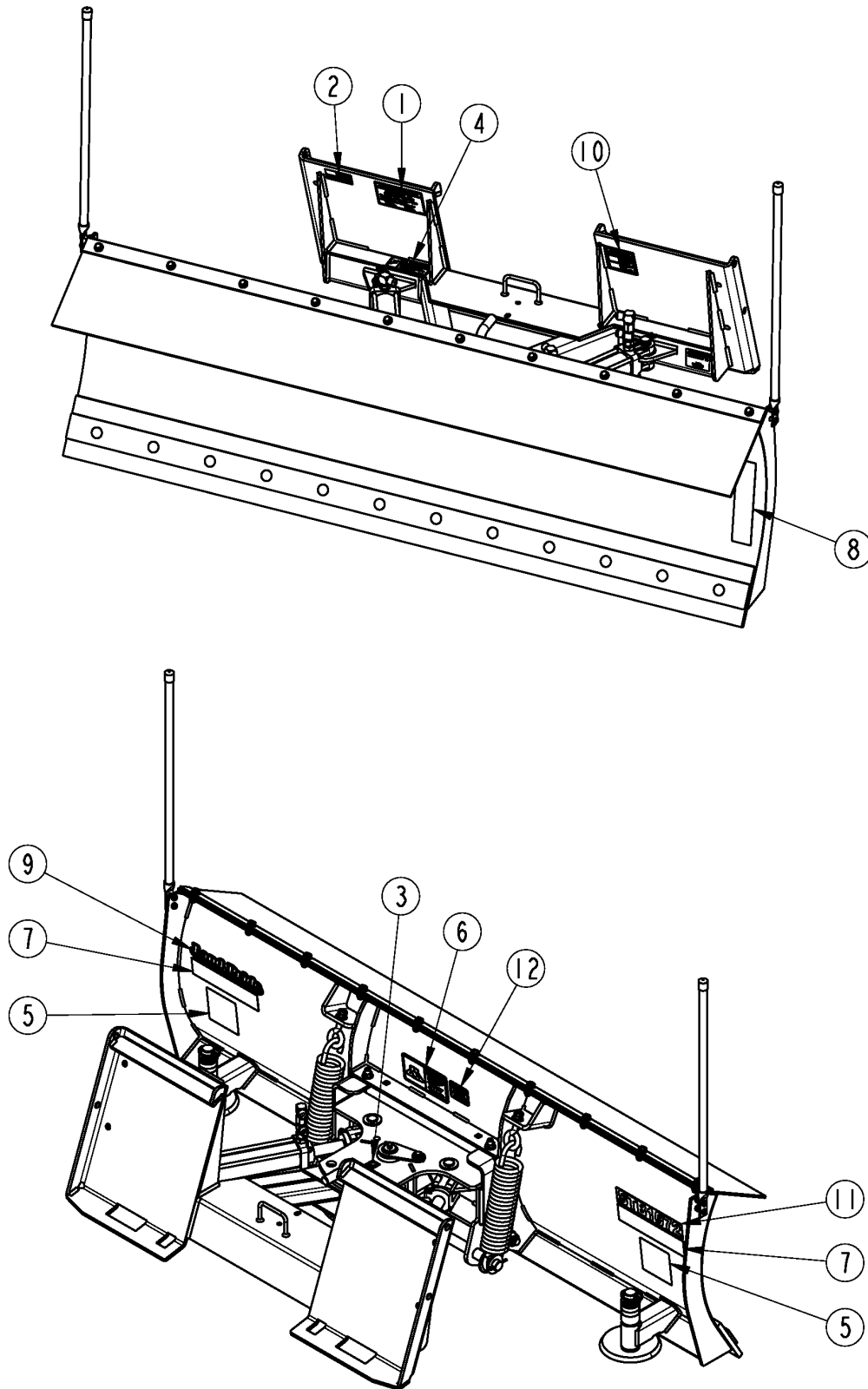
24812

Hydraulic Cylinder (810-601C) Midway**Applies to STB1060**

Ref	Part No.	Part Description	Comments	Revision
	Dwg 24812	Drawing Image Number		
	810-601C	CYL 2X6X1.125 ROD (TIE ROD) *		
1.	5M2114	MIDWAY TUBE		
2.	2M2312	MIDWAY ROD		
3.	1M6006-ADI	MIDWAY HARDENED CLEVIS ADI		
4.	803-234C	NUT HEX 3/8-16 PLAIN		
5.	802-023C	HHCS 3/8-16X1 3/4 GR5		
6.	7M2314	MIDWAY TIE ROD		
7.	803-234C	NUT HEX 3/8-16 PLAIN		
8.	3R0124	MW HEAD		
9.	N/A	*	Only in seat kit #19	
10.	N/A	*	Only in seat kit #19	
11.	N/A	*	Only in seat kit #19	
12.	4M2108	MW PISTON		
13.	6R0062	MIDWAY BASE		
14.	803-114C	NUT LOCK 3/4-16 NYLOC COLLAR		
15.	N/A	*	Only in seat kit #19	
16.	805-004C	PIN CLEVIS 1 X 2 3/4 USABLE LG		
17.	805-088C	PIN, HAIR COTTER 3/16 WIRE DIA		
18.	N/A	*	Only in seat kit #19	
19.	810-310C	SEAL KIT MW 5A2104		

Decals

Applies to STB1060, STB1072



39405

Decals**Applies to STB1060, STB1072**

Ref	Part No.	Part Description	Comments	Revision
	Dwg 39405	Image No.		
1.	818-045C	DECAL WARNING PINCH PT/CRUSH		
2.	818-190C	DECAL FLAG		
3.	818-298C	DECAL GREASE 25HRS BLACK/WHITE		
4.	838-102C	DECAL WARNING FALLING HAZZARD		
5.	838-112C	DECAL DANGER PINCHING		
6.	838-293C	DECAL WARNING READ MANUAL		
7.	838-614C	DECAL REFLECTOR RED 2X9		
8.	838-615C	DECAL REFLECTOR AMBER 2X9		
9.	848-159C	DECAL LANDPRIDE 10" BROWN/GOLD		
10.	848-747C	DECAL HIGH PRESSURE FLUIDS		
11.	858-174C	DECAL, STB1060	STB1060	
11.	858-175C	DECAL, STB1072	STB1072	
12.	858-692C	DECAL NOT INTENDED FOR SSL		

Land Pride Touch-up Paints

Applies to STB1060, STB1072

No diagram associated with this Parts List

Land Pride Touch-up Paints**Applies to STB1060, STB1072**

Ref	Part No.	Part Description	Comments	Revision
1.	821-011C	LP BEIGE SPRAY CAN	Spray can	
1.	821-011CTU	LP BEIGE TOUCH-UP 5OZ	Touch-up bottle with brush	
1.	821-011CQT	LP BEIGE QUART	Quart can	
1.	821-011CGL	LP BEIGE GALLON	Gallon can	
2.	821-070C	GLOSS BLACK SPRAY CAN	Spray can	
2.	821-070CTU	GLOSS BLACK TOUCH-UP 5OZ	Touch-up bottle with brush	
2.	821-070CQT	GLOSS BLACK QUART	Quart can	
2.	821-070CGL	GLOSS BLACK GALLON	Gallon can	
3.	821-054C	MED. RED SPRAY TRCK/CTR	Spray can	
3.	821-054CTU	MED RED TOUCH-UP 5OZ	Touch-up bottle with brush	
3.	821-054CQT	MED RED QUART	Quart can	
3.	821-054CGL	MED RED GALLON	Gallon can	
4.	821-058C	GREEN SPRAY CUTTERS	Spray can	
4.	821-058CTU	GREEN TOUCH-UP 5OZ	Touch-up bottle with brush	
4.	821-058CQT	GREEN QUART	Quart can	
4.	821-058CGL	GREEN GALLON	Gallon can	
5.	821-066C	ORANGE SPRAY CAN	Spray can	
5.	821-066CTU	ORANGE TOUCH-UP 5OZ	Touch-up bottle with brush	
5.	821-066CQT	ORANGE QUART	Quart can	
5.	821-066CGL	ORANGE GALLON	Gallon can	
6.	821-067C	BLUE SPRAY CAN	Spray can	
6.	821-067CTU	BLUE TOUCH-UP 5OZ	Touch-up bottle with brush	
6.	821-067CQT	BLUE QUART	Quart can	
6.	821-067CGL	BLUE GALLON	Gallon can	
7.	821-080C	PAINT ALUMINUM/ZINC SPRAY CAN	Spray can	
7.	821-080CTU	PAINT ALUMINUM/ZINC TOUCH UP	Touch-up bottle with brush	
7.	821-080CQT	PAINT ALUMINUM/ZINC QUART	Quart can	
7.	821-080CGL	PAINT ALUMINUM/ZINC GALLON	Gallon can	



Part Number Index

The Part Number Index is a numeric index of all part numbers included in this manual. The index shows what page(s) the part is used on.

Part Number	Page	Part Number	Page	Part Number	Page	Part Number	Page
*	13, 17, 19, 25, 27, 29, 31, 33, 37, 39	802-418C	31, 33, 35, 37	821-011CGL	43	891-123C	9
1M6006-ADI	39	802-655C	9	821-011CQCT	43	891-177C	7
2M2312	39	802-967C	33	821-011CTU	43	891-439C	11
301-465H	9	803-014C	13, 15	821-054C	43	891-440C	11
301-479A	11	803-026C	7	821-054CGL	43	891-595C	7
301-480A	11	803-036C	9	821-054CQCT	43	Dwg 24812	39
301-483A	25	803-037C	7, 11	821-054CTU	43	Dwg 37013	37
301-484A	25	803-084C	9	821-058C	43	Dwg 37198	33
301-487A	11	803-112C	31, 37	821-058CGL	43	Dwg 37426	31
301-488A	11	803-114C	39	821-058CQCT	43	Dwg 37632	35
301-492A	17	803-169C	7	821-058CTU	43	Dwg 39394	25
301-495H	9	803-194C	31	821-066C	43	Dwg 39395	11
301-496H	9	803-198C	31, 33, 37	821-066CGL	43	Dwg 39396	17
301-506A	23	803-209C	25, 35	821-066CQCT	43	Dwg 39397	15
301-507A	23	803-234C	39	821-066CTU	43	Dwg 39398	21
301-508A	23	803-381C	7	821-067C	43	Dwg 39403	9
301-509A	23	804-012C	13, 15, 35	821-067CGL	43	Dwg 39404	7
301-514H	7	804-013C	13, 15	821-067CQCT	43	Dwg 39405	41
301-515H	7	804-016C	7, 9	821-067CTU	43	Dwg 39736	23
301-530A	19	804-024C	31, 37	821-070C	43	Dwg 39946	27
301-534A	13	804-025C	7	821-070CGL	43	Dwg 39947	29
301-565A	27	804-029C	7	821-070CQCT	43	Dwg 70970	19
301-566A	29	804-157C	33	821-070CTU	43	Dwg 70971	13
301-570D	25	804-161C	33	821-080C	43	N/A	39
301-571D	25	805-004C	13, 15, 17, 19, 21, 39	821-080CGL	43		
301-574D	11	805-015C	9	821-080CQCT	43		
301-575D	11	805-017C	7	821-080CTU	43		
310-251D	9	805-041C	7	833-495C	31, 33, 35, 37		
310-252D	9	805-058C	7, 13, 15, 17, 19, 21	833-650C	31, 33, 35, 37		
310-359D	9	805-088C	13, 15, 17, 19, 21, 39	837-023C	11		
330-616H	7	805-158C	9	837-024C	11		
332-029D	9	805-219C	13, 15, 17, 19, 21	838-102C	41		
380-093A	37	805-516C	7	838-112C	41		
380-149A	31	806-261C	31, 33, 37	838-293C	41		
380-152A	33	807-342C	7	838-614C	41		
380-164D	33, 37	810-310C	39	838-615C	41		
380-165D	31, 37	810-385C	13, 15	841-331C	33		
380-165S	31, 33, 35, 37	810-601C	13, 15, 17, 19, 21, 39	841-466C	23, 29, 31		
380-168A	35	810-926C	31, 33, 35, 37	841-467C	31		
380-223D	31	811-040C	35	841-563C	31, 35, 37		
380-230D	31	811-063C	13, 15, 19	842-216C	37		
380-231D	31	811-073C	15, 21	848-159C	41		
380-232D	31	811-088C	13, 15, 17, 19, 21, 23	848-747C	15, 17, 21, 41		
380-233D	31	811-114C	15, 17	851-084C	33, 35, 37		
380-234D	33	811-133C	31, 35, 37	851-087C	37		
380-255D	33	811-150C	15, 21	851-088C	37		
380-256D	35	811-153C	13, 15, 19, 21	851-088C	37		
380-257D	35	811-169C	31, 33, 35, 37	851-276C	31		
3R0124	39	811-170C	33, 35, 37	851-279C	15		
4M2108	39	811-253C	31, 35, 37	851-280C	15		
5M2114	39	811-394C	23, 33, 35, 37	851-283C	23		
6R0062	39	811-416C	31	851-284C	15, 21		
7M2314	39	811-584C	23	851-344C	33, 35, 37		
800-073C	7	811-636C	31	851-349C	31, 33		
800-112C	31, 33, 35	811-701C	33	851-350C	31		
802-005C	31	811-703C	33	851-376C	33, 35		
802-022C	35	811-778C	13, 15	851-490C	33		
802-023C	39	811-870C	23, 27, 33, 35, 37	851-768C	31, 35		
802-064C	7	816-809C	25	851-974C	33, 35, 37		
802-082C	7	816-810C	25	851-975C	27, 33, 35, 37		
802-106C	7	818-045C	41	851-976C	31		
802-114C	13, 15	818-190C	41	851-977C	29, 31		
802-159C	9	818-298C	41	858-174C	41		
802-230C	31	821-011C	43	858-175C	41		
802-314C	33			858-692C	41		
802-331C	11			861-075C	29		
802-354C	11			861-076C	27		
802-388C	25			861-345C	13, 19		
				861-346C	13		
				861-347C	13, 19		
				861-348C	13, 19		

This Page Intentionally Left Blank



Great Plains Manufacturing, Inc.

Corporate Office: P.O. Box 5060
Salina, Kansas 67402-5060 USA

www.landpride.com
