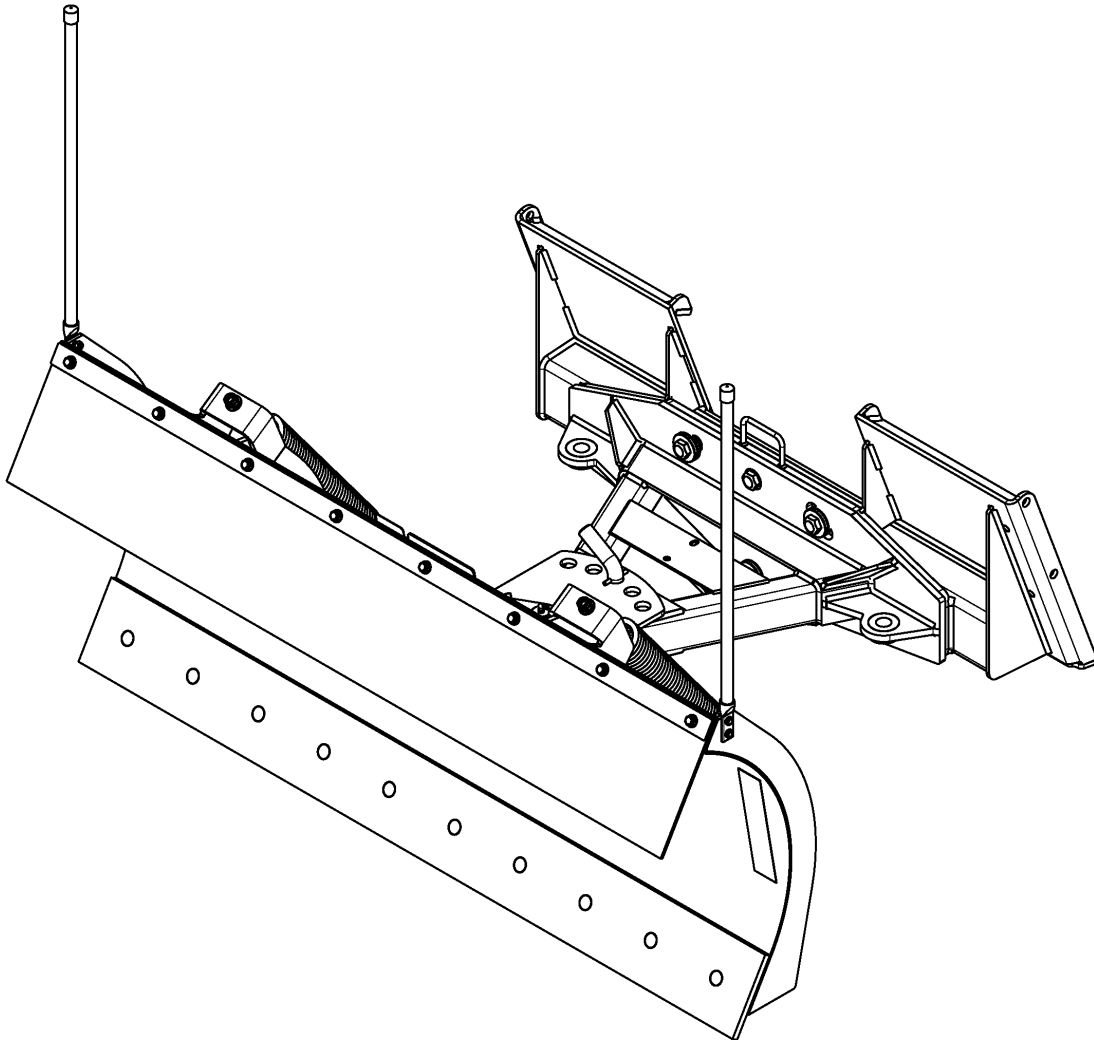


Snow Trip Blade

STB1560, STB1572, STB1584 & STB1596



39712

301-493P
Parts Manual



Read the Operator's Manual entirely. When you see this symbol, the subsequent instructions and warnings are serious - follow without exception. Your life and the lives of others depend on it!

© Copyright 2019 Printed 08/20/19

Cover photo may show optional equipment not supplied with standard unit.





Table of Contents

Section 1: Introduction.....	4
Using This Manual.....	4
Manual Replacement Information.....	4
Manual Revisions.....	4
Touch-up Paint.....	4
Hardware Legend.....	5
Replacement Hardware.....	5
Serial Numbers.....	5
Part Number Service Coding.....	5
Section 2: Frames.....	6
Hitch & Float Assembly.....	6
Pivot & Moldboard Assembly.....	8
Section 3: Options & Accessories.....	10
Angling Bent Pin Option.....	10
Angling Dual Cylinders Option S/N _____+.....	12
Angling Dual Cylinders Option S/N _____-.....	14
Angling Dual Cylinders with Cushion Valve Option S/N _____+.....	16
Angling Dual Cylinders with Cushion Valve Option S/N _____.....	18
Cutting Edge Options.....	20
Hose & Coupler Options.....	22
Rubber Deflector.....	24
Third Function Valve Hose Kit 301-565A.....	26
Third Function Valve Kit 380-152A for Kubota L2501 L3200 L3800 L3301 L3901 L4600 & L4701.....	28
Third Function Valve Kit 380-166A for Kubota MX4700.....	30
MX4800.....	30
MX5100.....	30
MX5200.....	30
MX5800.....	30
& MX6899.....	30
Third Function Valve Kit 380-168A for Kubota B3350 B2650 & LA534 LA534A.....	32
Third Function Valve Kit 380-093A for Kubota B3300 & LA504.....	34
Section 4: Hydraulics.....	36
Hydraulic Cylinder (810-601C) Midway.....	36
Section 5: Decals.....	38
Decals.....	38
Land Pride Touch-up Paints.....	40
 Part Number Index.....	 42

© Copyright 2019. All rights reserved.

Land Pride provides this publication “as is” without warranty of any kind, either expressed or implied. While every precaution has been taken in the preparation of this manual, Land Pride assumes no responsibility for errors or omissions. Neither is any liability assumed for damages resulting from the use of the information contained herein. Land Pride reserves the right to revise and improve its products as it sees fit. This publication describes the state of this product at the time of its publication, and may not reflect the product in the future. The illustrations in this manual are not intended for safe and proper assembly or disassembly of equipment. The illustrations are intended for ordering parts only.

Land Pride is registered trademark.

All other brands and product names are trademarks or registered trademarks of their respective holders.

Printed in the United States of America.



Alphabetized Table of Contents

A	
Angling Bent Pin Option.....	10
Angling Dual Cylinders Option S/N _____+.....	12
Angling Dual Cylinders Option S/N _____-.....	14
Angling Dual Cylinders with Cushion Valve Option S/N _____+.....	16
Angling Dual Cylinders with Cushion Valve Option S/N _____ -.....	18
C	
Cutting Edge Options.....	20
D	
Decals.....	38
H	
Hitch & Float Assembly.....	6
Hose & Coupler Options.....	22
Hydraulic Cylinder (810-601C) Midway.....	36
L	
Land Pride Touch-up Paints.....	40
P	
Pivot & Moldboard Assembly.....	8
R	
Rubber Deflector.....	24
T	
Third Function Valve Hose Kit 301-565A.....	26
Third Function Valve Kit 380-152A for Kubota L2501 L3200 L3800 L3301 L3901 L4600 & L4701.....	28
Third Function Valve Kit 380-166A for Kubota MX4700, MX4800, MX5100, MX5200, MX5800, & MX6899.....	30
Third Function Valve Kit 380-168A for Kubota B3350 B2650 & LA534 LA534A.....	32
Thrid Function Valve Kit 380-093A for Kubota B3300 & LA504.....	34

General Information

Using This Manual

This manual is divided into sections. The first section contains General Information. The remaining sections divide the machine into segments (i.e. Frames, Drives, Hydraulics, etc.) which illustrate and list all parts. A Parts Number Index is located at the back of the book.

The Land Pride parts in this manual are specially designed for this machine and should be replaced with Land Pride parts only.

The information in this manual is current at time of printing. Some parts may change to assure top performance.

Right-hand and left-hand as used in this manual are determined by facing the direction the machine will travel while in use.

Below is an example of two facing pages from a parts manual. Familiarize yourself with the type of information contained on these pages.

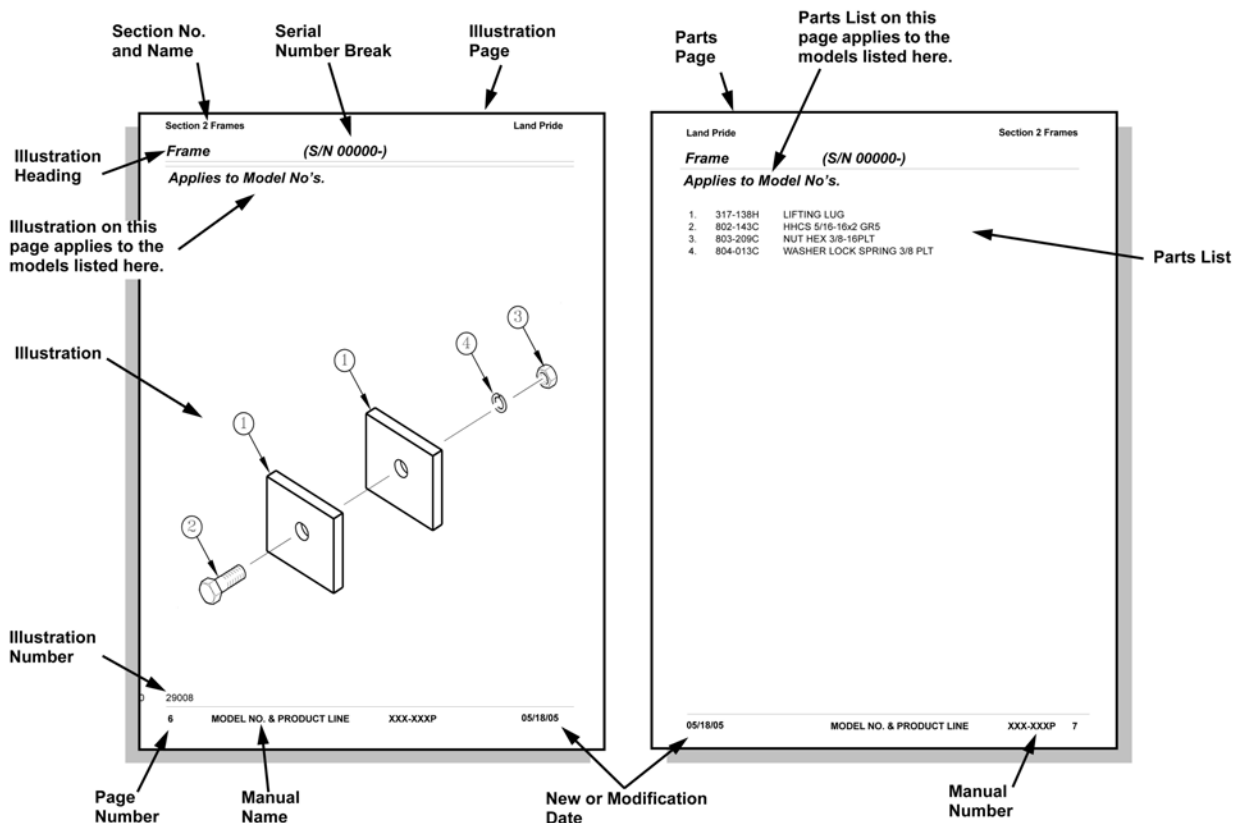
Manual Replacement Information

Replacement manuals are available. Refer to our website at www.landpride.com or e-mail us at lit@landpride.com for additional information. Our website continues to provide the most up-to-date manuals available.

Touch-up Paint

Repaint parts where paint is worn or scratched to prevent rust. Aerosol cans and touch-up bottles with brush applicator are available through your local dealer. Also available are quart and gallon size paints. Add QT or GL to end of the Aerosol P/N.

Land Pride color descriptions and part numbers are listed on the "Land Pride Touch-up Paints" page in the "Decals" section of this book. Color options vary by product.



General Information

Hardware Legend

AR	As Required
BLADE	Blade Bolt
C	Cap Screw
CP	Cotter Pin
CPHSSS	Cup Point Hex Socket Set Screw
CPSHSS	Cup Point Square Head Set Screw
CPSQHSS	Cup Point Square Head Set Screw
CRFCHMS3	Cross Recess Flat Countersunk Head Machine Screw
CRPHMS	Cross Recess Pan Head Machine Screw
CRPHTF	Cross Recess Pan Head Thread Forming
CRRHMS	Cross Recess Round Head Machine Screw
CRTHMS	Cross Recess Truss Head Machine Screw
CSNB	Countersunk Square Neck Bolt
FHMS	Flat Head Machine Screw
FTC	Full Thread Cap Screw
H	Hex Nut
HCLN	Hex Center Lock Nut
HFLCS	Hex Flange Lock Cap Screw
HFS	Hex Flange Screw
HFSLN	Hex Flange Serrated Lock Nut
HFSS	Hex Flange Serrated Screw
HHCS	Hex Head Cap Screw or Metric Bolt
HSBHCS	Hex Socket Button Head Cap Screw
HSFCHCS	Hex Socket Flat Countersunk Head Cap Screw
HSHCS	Hex Socket Head Cap Screw
HSSS	Hex Socket Head Screw
HTLN	Hex Top Lock Nut
HWHCS	Hex Washer Head Cap Screw

HWHMS	Hex Washer Head Machine Screw
HXBHCS	Hex Socket Button Head Cap Screw
J	Hex Jam Nut
JIC	37 Degree Tapered Thread
L	Helical Spring Lock Washer
LUG	Lug Bolt
NFC	National Fine Cap Screw
NPSM	National Pipe Straight Mechanical
NPTF	National Pipe Taper Fuel
P	Wide Plain Washer
PHMS	Pan Head Machine Screw
PLOW	Plow Bolt
RHMS	Round Head Machine Screw
RHSNB	Round Head Square Neck Bolt
SCREW LEVELING	Leveling Screw
SCREW THUMB	Thumb Screw
SCREW WELD	Weld Screw
SFCHMS	Slotted Flat Countersunk Head Machine Screw
SFHMS	Slotted Fillister Head Machine Screw
SP	Special
SP SCREW	Special Screw
SQHSS	Square Head Set Screw
SRHMS	Slotted Round Head Machine Screw
SSS	Socket Set Screw
STCS	Self Tapping Cap Screw
STHMS	Slotted Truss Head Machine Screw
WHEEL	Wheel Studs and Hub Long Bolts
WING	Wing Bolt

Replacement Hardware

The **Hardware Legend** above lists hardware abbreviations used in the parts list. All bolts and nuts are Grade 5 unless otherwise noted. The use of improper grades of hardware can result in personal injury, damage to equipment, or loss of property.

Colored Replacement Parts

Land Pride offers replacement parts in factory standard colors and also on select models in Green, Orange, Red and Blue. Because of the variety of colors available, special attention must be given to the part number to prevent ordering the wrong replacement part.

A suffix number corresponding to one of the colors below must be added at the end of Land Pride's part number when ordering a replacement part with that color.

81 Green 83 Red
82 Orange 84 Blue

For example, if you are ordering a replacement part with part number 555-555C and the part you need is red, then add the suffix 83 to the end of the number to make the part number read 555-555C83. Parts ordered without a suffix number will be supplied in factory standard colors.

Black Replacement Parts

Some parts are factory standard black and some must be special ordered black. If your part is special ordered black, a second part number with the additional suffix number 85 on the end will be available. In this situation you must order that part with the suffix number for it to be black. Parts that are factory standard black will not have the suffix number.

Part Number Service Coding

Within the parts list some part numbers are coded for revisions and interchangeability. See notations in revision column.

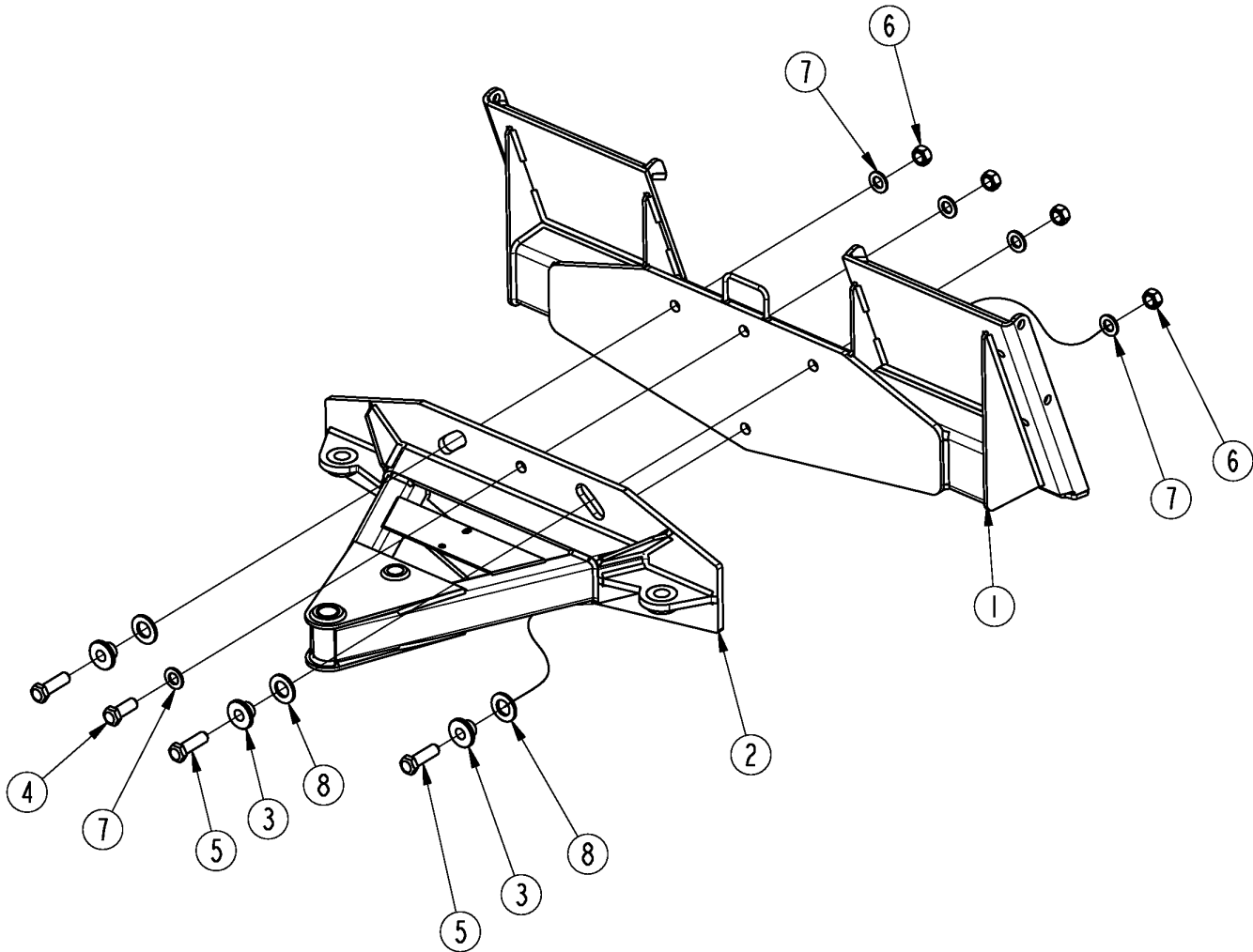
Serial Numbers

Always use the serial and model number when ordering parts. Refer to the Operator's Manual for serial number plate location.

- | | |
|----------------------|--|
| (S/N 20001+) | Includes serial numbers 20001 and above (to the latest number) |
| (S/N 10001 to 20000) | Includes serial numbers between and including 10001 and 20000 |
| (S/N 10000-) | Includes serial numbers 10000 and below (to the earliest number) |

Hitch & Float Assembly

Applies to STB1560, STB1572, STB1584, STB1596



39731

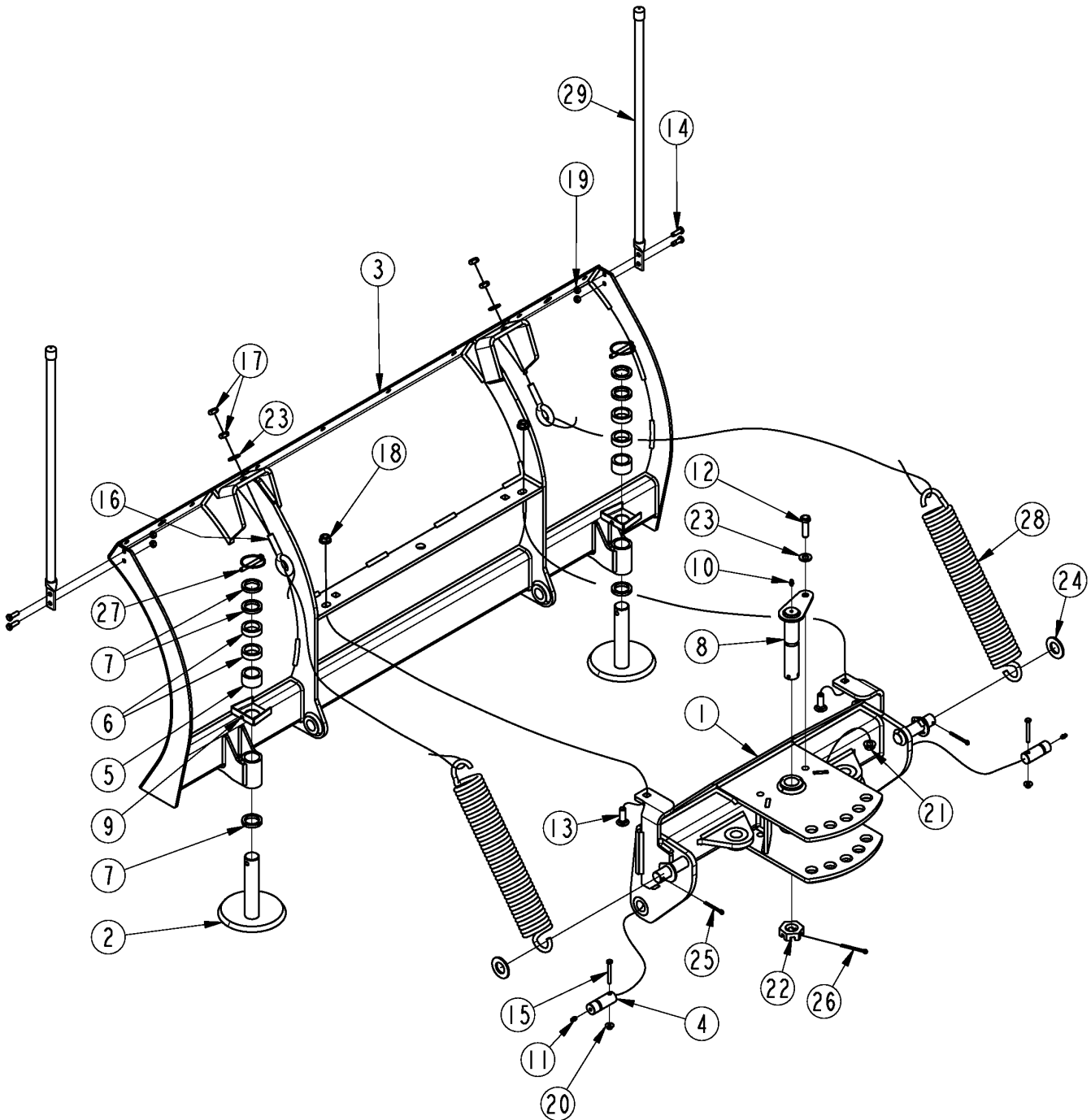
Hitch & Float Assembly

Applies to STB1560, STB1572, STB1584, STB1596

Ref	Part No.	Part Description	Comments	Revision
	Dwg 39731	Image No.		
1.	301-528H	HITCH, STB15		
2.	301-532H	FLOATING FRAME		
3.	301-601D	FLOAT BUSHING		
4.	802-064C	HHCS 3/4-10X2 GR5		
5.	802-212C	HHCS 3/4-10X2 1/2 GR5		
6.	803-026C	NUT LOCK 3/4-10 PLT		
7.	804-025C	WASHER FLAT 3/4 SAE PLT		
8.	804-147C	WASHER FLAT 1" HARDENED		

Pivot & Moldboard Assembly

Applies to STB1560, STB1572, STB1584, STB1596



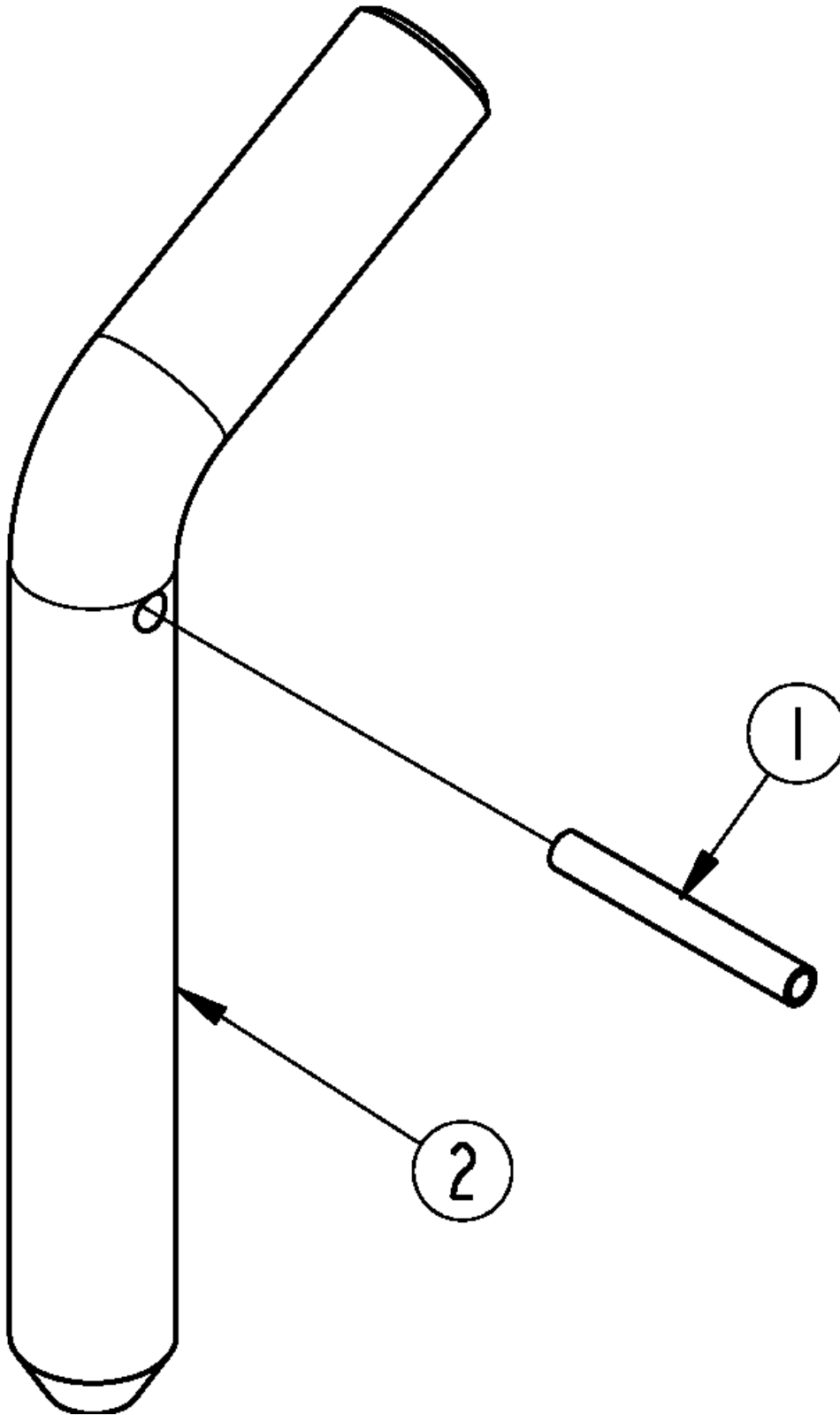
39732

Pivot & Moldboard Assembly**Applies to STB1560, STB1572, STB1584, STB1596**

Ref	Part No.	Part Description	Comments	Revision
	Dwg 39732	Image No.		
1.	301-461H	PIVOT WELDMENT		
2.	301-465H	AR400 TRIP BLADE SKID SHOE		
3.	301-467H	TRIP BLADE MOLDBOARD WLDMT 60"	STB1560	
3.	301-468H	TRIP BLADE MOLDBOARD WLDMT 72"	STB1572	
3.	301-469H	TRIP BLADE MOLDBOARD WLDMT 84"	STB1584	
3.	301-470H	TRIP BLADE MOLDBOARD WLDMT 96"	STB1596	
4.	301-612D	PIN CLVS 1.0X1.96 USBL GRS		
5.	310-251D	G.W. SPACER 1		
6.	310-252D	G.W. SPACER 1/2		
7.	310-359D	GW SPACER 1/4		
8.	330-616H	PIVOT PIN TANDEM ARM		
9.	332-029D	PROTECTOR LINCH PIN 1.31 HL	S/N 1120600+	
10.	800-001C	GREASE ZERK STRAIGHT 1/4-28	S/N _____ +	
10.	800-073C	GREASE ZERK 1/4-28 X 90-DEG	S/N _____ -	
11.	800-080C	GREASE ZERK 1/4-28 THD FORMING		
12.	802-082C	HHCS 1/2-13X1 3/4 GR5		
13.	802-106C	RHSNB 1/2-13X1 1/2 GR5		
14.	802-159C	HHCS 5/16-18X1 GR5		
15.	802-551C	HHCS 1/4-20X2 1/4 GR5		
16.	802-655C	EYE-BOLT 1/2-13 PLT		
17.	803-036C	NUT HEX JAM 1/2-13 PLT		
18.	803-037C	NUT HEX WHIZ 1/2-13 PLT		
19.	803-084C	NUT HEX NYLOCK 5/16-18 PLT		
20.	803-088C	NUT HEX LOCK 1/4-20 FLG		
21.	803-169C	NUT HEX FLG LOCK 1/2-13 PLT		
22.	803-381C	NUT HEX JAM SLOTTED 1 1/4-7		
23.	804-016C	WASHER FLAT 1/2 SAE PLT		
24.	804-029C	WASHER FLAT 1 SAE		
25.	805-017C	PIN COTTER 3/16 X 1 3/4 PLT		
26.	805-058C	PIN COTTER 3/16 X 2		
27.	805-158C	PIN LINCH 5/16 X 2 11/32	S/N 1120600+	
27.	805-015C	PIN LINCH 5/16 X 1 3/4	S/N 1120599-	
28.	807-351C	SPRING EXT 2.75ODX.38X18		
29.	891-123C	MARKER ORANGE 28"		

Angling Bent Pin Option

Applies to STB1560, STB1572, STB1584



39735

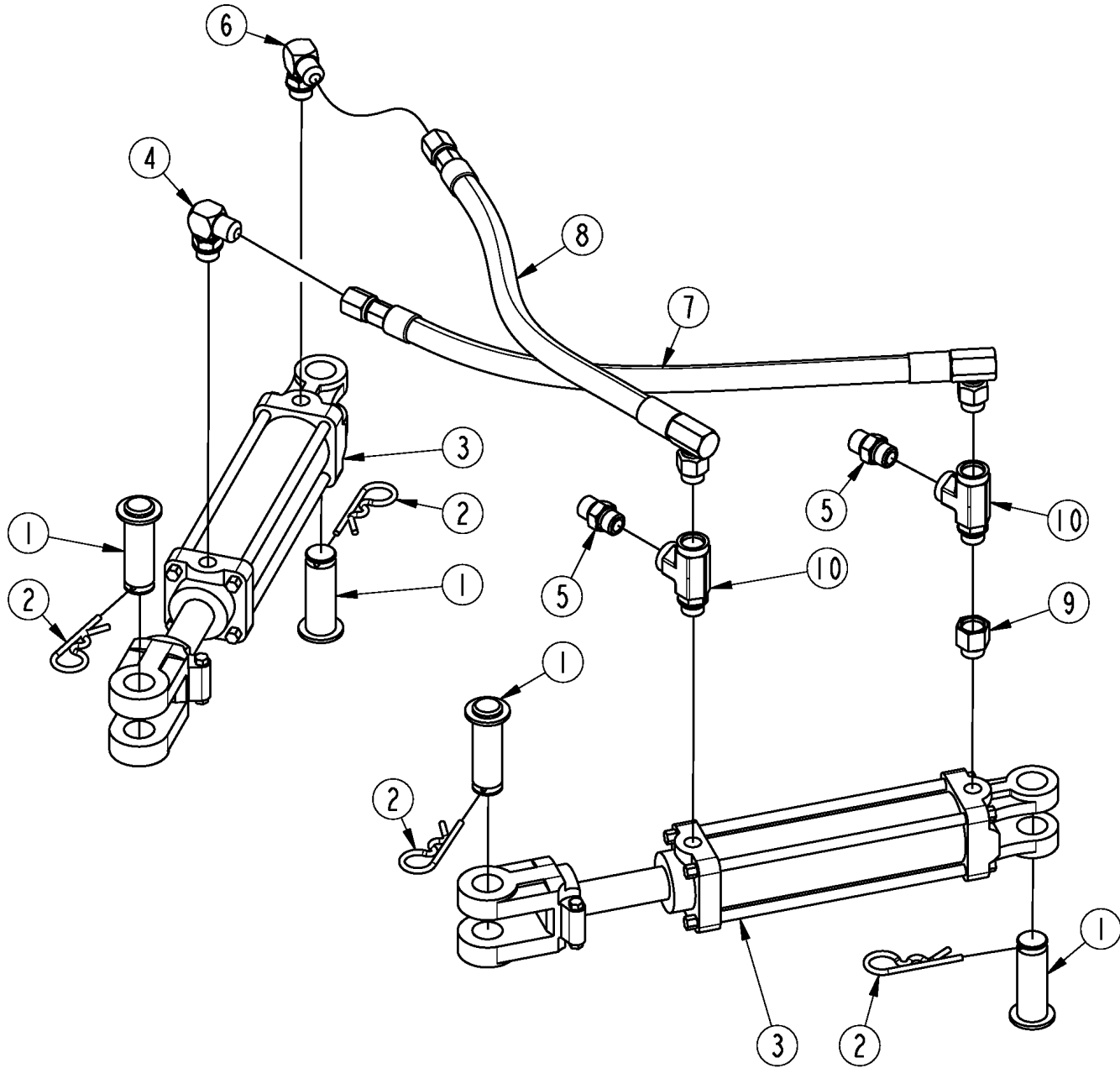
Angling Bent Pin Option

Applies to STB1560, STB1572, STB1584

Ref	Part No.	Part Description	Comments	Revision
	Dwg 39735	Image No.		
	301-535A	PIN BENT 1.0X5.44 USBL	Not available for STB1596	
1.	805-146C	PIN ROLL 1/4 X 2 LG PL		
2.	805-552C	PIN BENT 1.0X5.44 USBL		

Angling Dual Cylinders Option S/N _____ +

Applies to STB1560, STB1572, STB1584



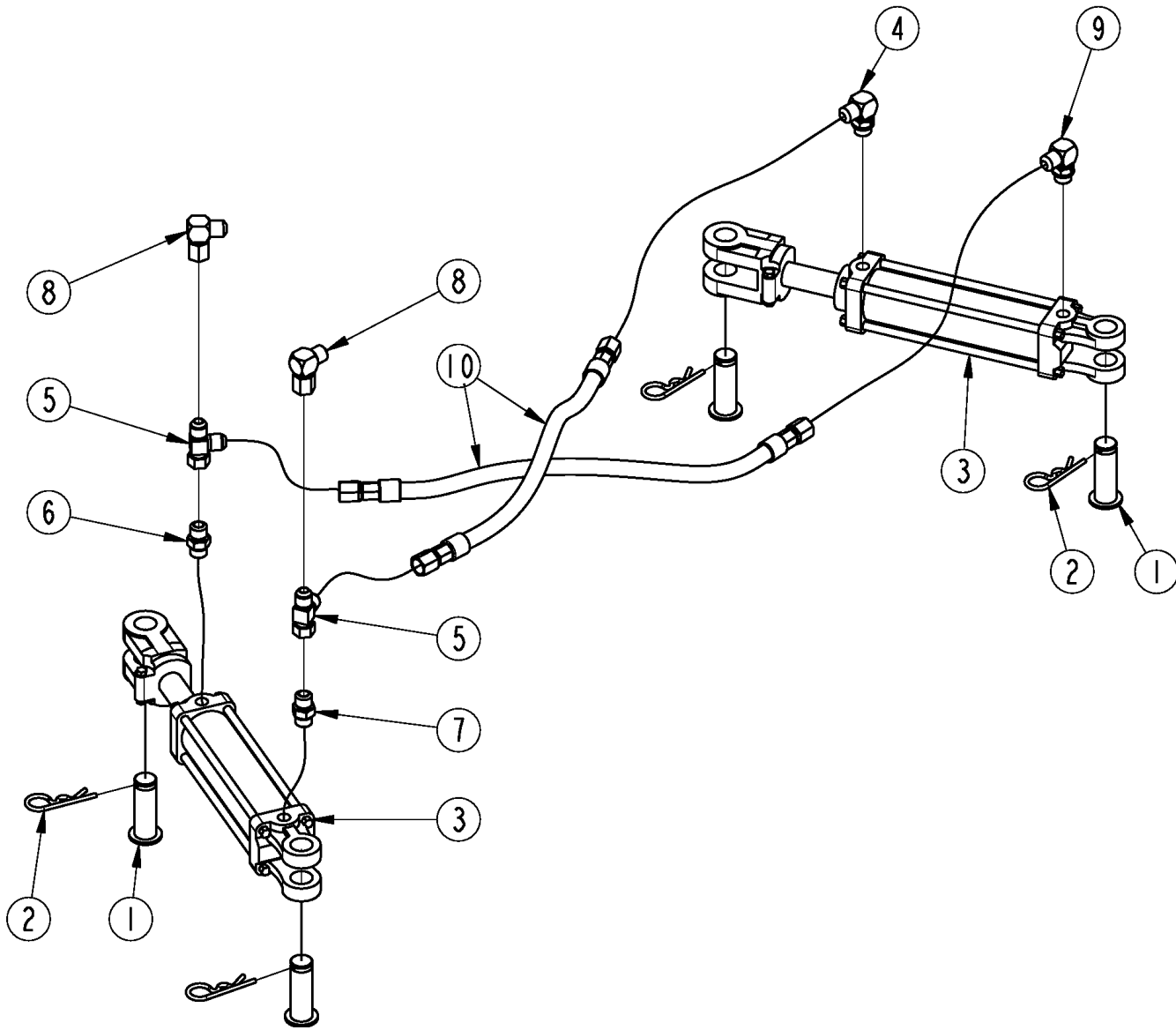
70974

Angling Dual Cylinders Option S/N _____ +**Applies to STB1560, STB1572, STB1584**

Ref	Part No.	Part Description	Comments	Revision
	Dwg 70974	Image No.		
	301-531A	DUAL ANGLING CYLINDERS - 15 *	Not available for STB1596	
1.	805-004C	PIN CLVS 1.0X2.75 USBL		
2.	805-088C	PIN, HAIR COTTER 3/16 WIRE DIA		
3.	810-601C	CYL 2X6X1.125 ROD (TIE ROD)		
4.	811-063C	EL 3/4MJIC 3/4MORB		
5.	811-088C	AD 3/4MORB 3/4MJIC		
6.	811-153C	OREL 1/16 3/4MJIC 3/4MORB		
7.	861-345C	HH3/8R16 25 3/4FJIC3/4MORB90SW		
8.	861-345C	HH3/8R16 25 3/4FJIC3/4MORB90SW		
9.	861-347C	ORAD 5/64 3/4MORB 3/4FORB		
10.	861-348C	TE 3/4MORB 3/4FORB 3/4FORB		

Angling Dual Cylinders Option S/N _____ -

Applies to STB1560, STB1572, STB1584



39734

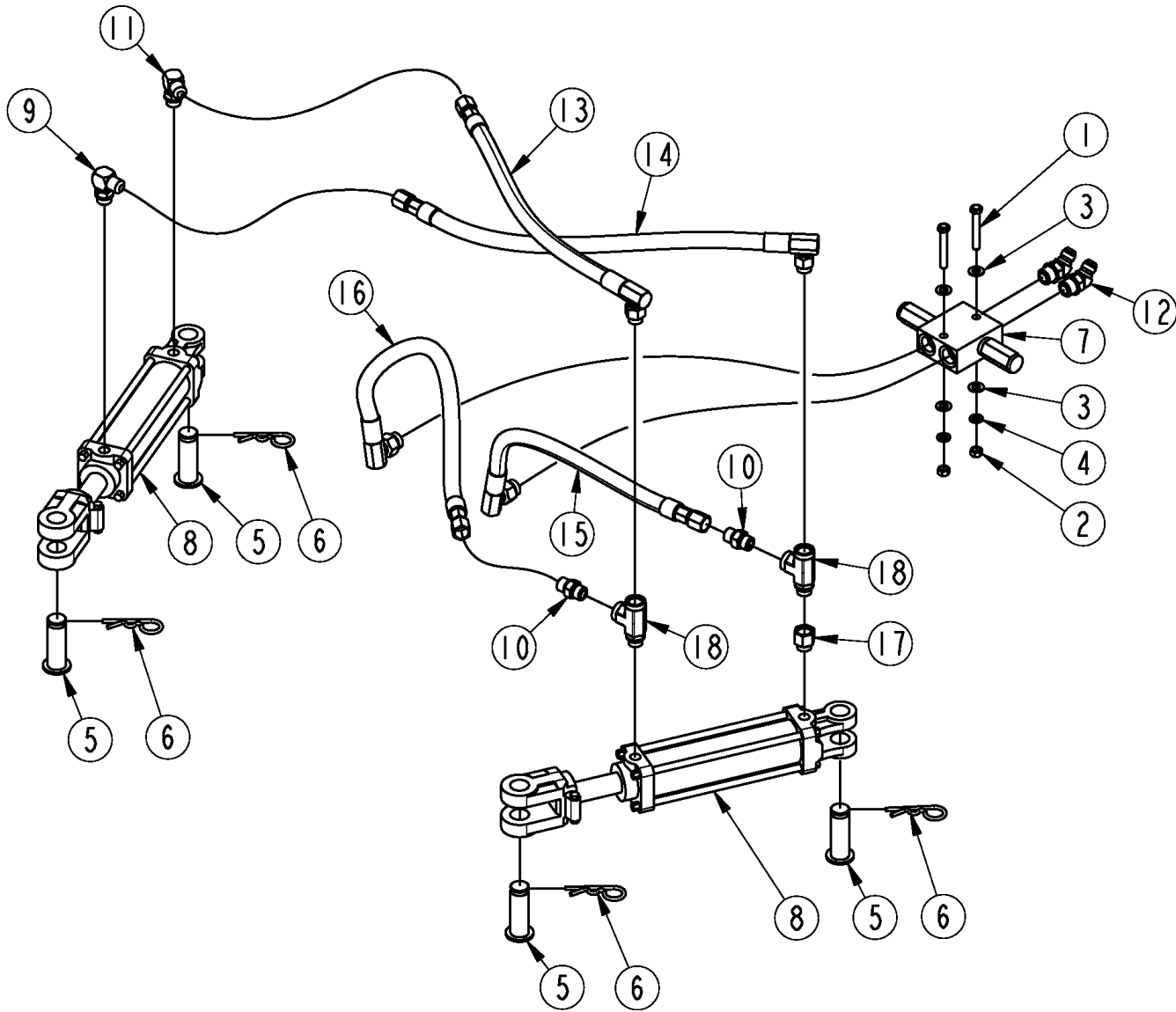
Angling Dual Cylinders Option S/N _____ -

Applies to STB1560, STB1572, STB1584

Ref	Part No.	Part Description	Comments	Revision
	Dwg 39734	Image No.		
1.	805-004C	PIN CLVS 1.0X2.75 USBL		
2.	805-088C	PIN, HAIR COTTER 3/16 WIRE DIA		
3.	810-601C	CYL 2X6X1.125 ROD (TIE ROD)		
4.	811-063C	EL 3/4MJIC 3/4MORB		
5.	811-073C	TE 3/4MJIC 3/4MJIC 3/4FJIC		
6.	811-088C	AD 3/4MORB 3/4MJIC		
7.	811-114C	ORAD 5/64 3/4MJIC 3/4MORB		
8.	811-150C	EL 3/4FJIC 3/4MJIC		
9.	811-153C	OREL 1/16 3/4MJIC 3/4MORB		
10.	851-284C	HH3/8R16 025 3/4FJIC TC		

Angling Dual Cylinders with Cushion Valve Option S/N _____ +

Applies to STB1560, STB1572, STB1584, STB1596



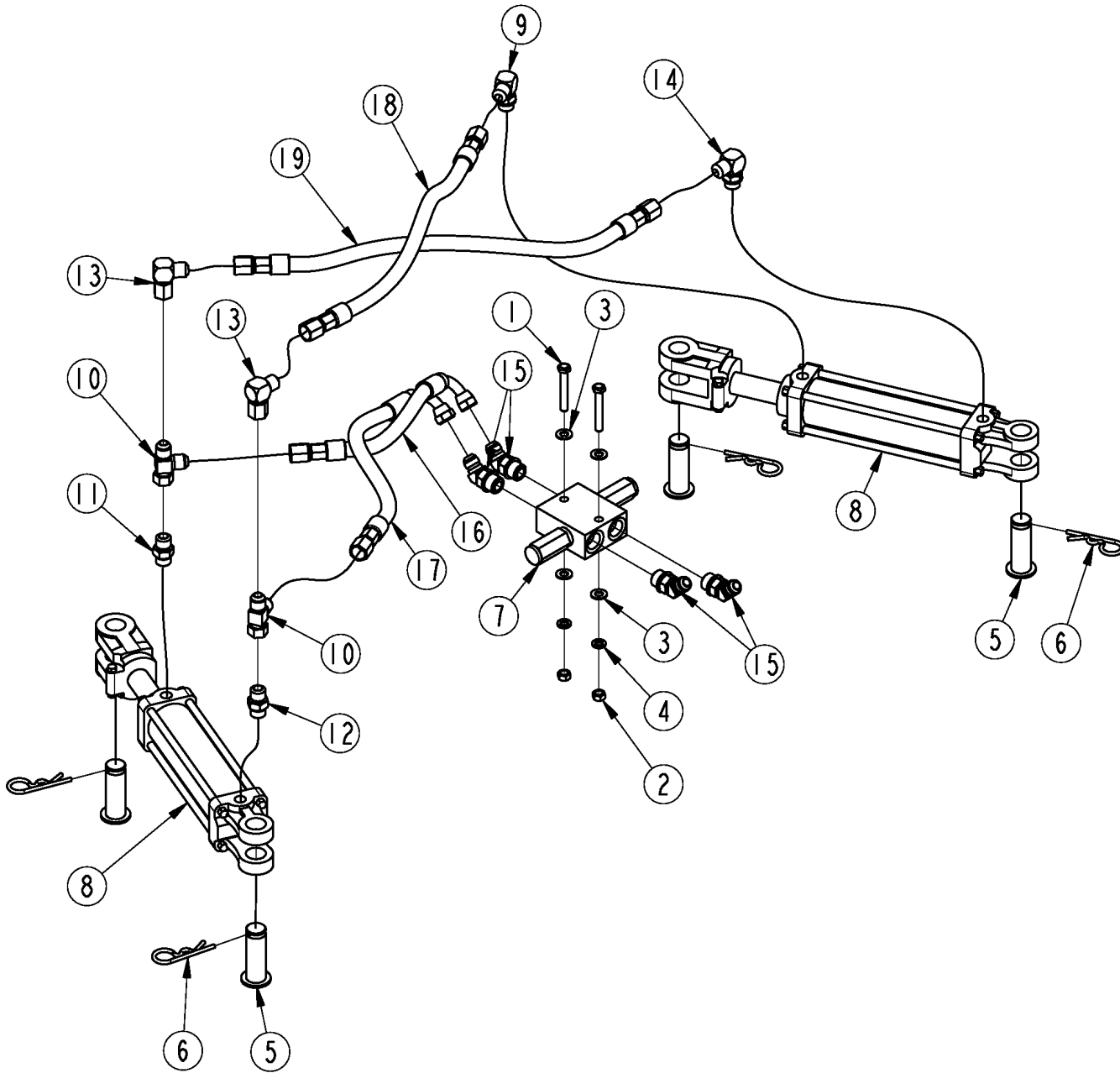
70976

Angling Dual Cylinders with Cushion Valve Option S/N _____ +**Applies to STB1560, STB1572, STB1584, STB1596**

Ref	Part No.	Part Description	Comments	Revision
	Dwg 70976 301-463A	Image No. DUAL CYL W/CUSHION VALVE-15 *		
1.	802-114C	HHCS 3/8-16X2 1/2 GR5		
2.	803-014C	NUT HEX 3/8-16 PLT		
3.	804-012C	WASHER FLAT 3/8 SAE PLT		
4.	804-013C	WASHER LOCK SPRING 3/8 PLT		
5.	805-004C	PIN CLVS 1.0X2.75 USBL		
6.	805-088C	PIN, HAIR COTTER 3/16 WIRE DIA		
7.	810-385C	VALVE CYLINDER CUSHION 1600PSI		
8.	810-601C	CYL 2X6X1.125 ROD (TIE ROD)		
9.	811-063C	EL 3/4MJIC 3/4MORB		
10.	811-088C	AD 3/4MORB 3/4MJIC		
11.	811-153C	OREL 1/16 3/4MJIC 3/4MORB		
12.	811-778C	EL 45 7/8MORB 3/4MJIC		
13.	861-345C	HH3/8R16 25 3/4FJIC3/4MORB90SW		
14.	861-345C	HH3/8R16 25 3/4FJIC3/4MORB90SW		
15.	861-346C	HH3/8R16 18 3/4FJIC7/8MORB90SW		
16.	861-346C	HH3/8R16 18 3/4FJIC7/8MORB90SW		
17.	861-347C	ORAD 5/64 3/4MORB 3/4FORB		
18.	861-348C	TE 3/4MORB 3/4FORB 3/4FORB		

Angling Dual Cylinders with Cushion Valve Option S/N _____ -

Applies to STB1560, STB1572, STB1584, STB1596



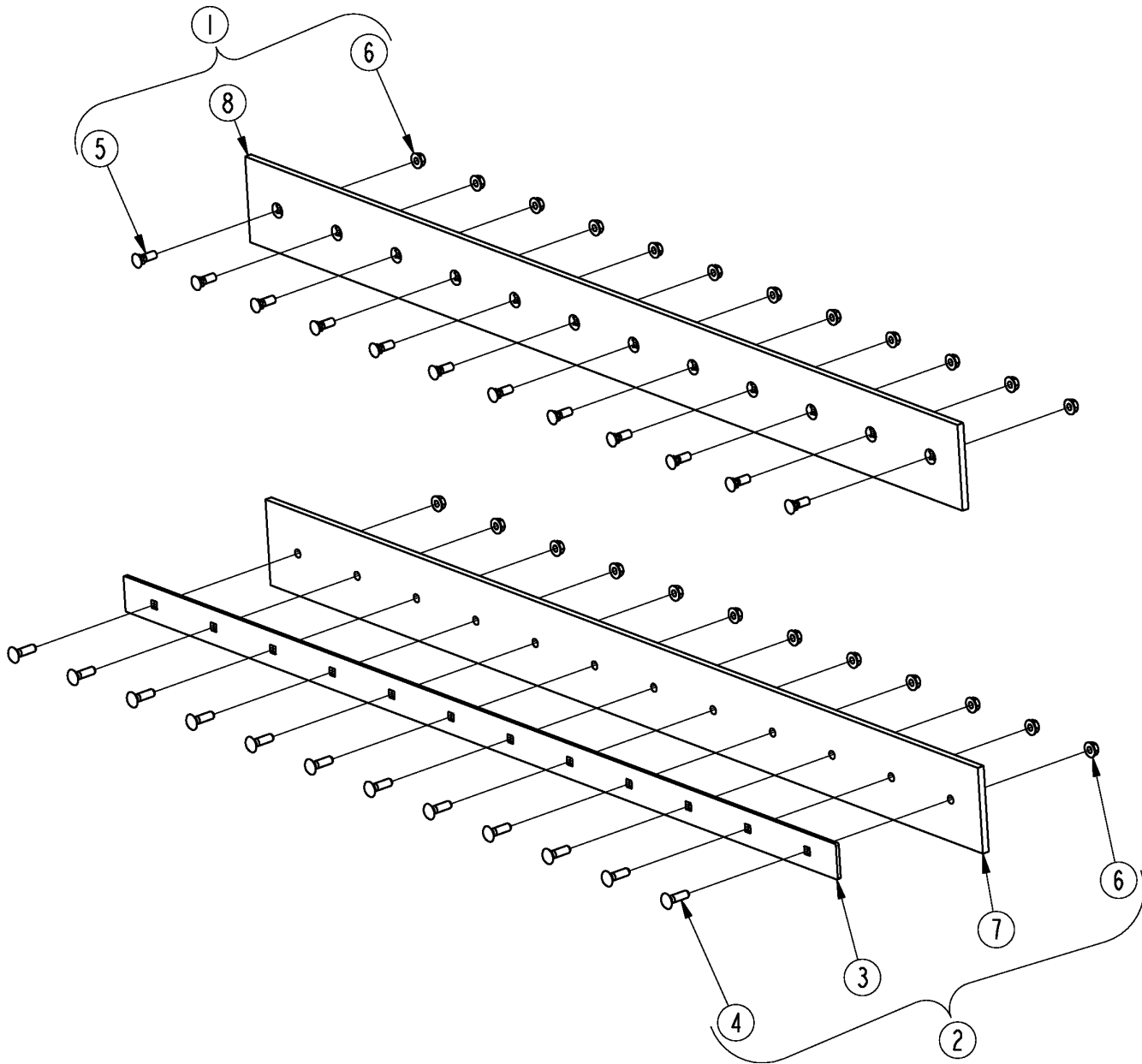
39733

Angling Dual Cylinders with Cushion Valve Option S/N _____ -**Applies to STB1560, STB1572, STB1584, STB1596**

Ref	Part No.	Part Description	Comments	Revision
	Dwg 39733	Image No.		
1.	802-114C	HHCS 3/8-16X2 1/2 GR5		
2.	803-014C	NUT HEX 3/8-16 PLT		
3.	804-012C	WASHER FLAT 3/8 SAE PLT		
4.	804-013C	WASHER LOCK SPRING 3/8 PLT		
5.	805-004C	PIN CLVS 1.0X2.75 USBL		
6.	805-088C	PIN, HAIR COTTER 3/16 WIRE DIA		
7.	810-385C	VALVE CYLINDER CUSHION 1600PSI		
8.	810-601C	CYL 2X6X1.125 ROD (TIE ROD)		
9.	811-063C	EL 3/4MJIC 3/4MORB		
10.	811-073C	TE 3/4MJIC 3/4MJIC 3/4FJIC		
11.	811-088C	AD 3/4MORB 3/4MJIC		
12.	811-114C	ORAD 5/64 3/4MJIC 3/4MORB		
13.	811-150C	EL 3/4FJIC 3/4MJIC		
14.	811-153C	OREL 1/16 3/4MJIC 3/4MORB		
15.	811-778C	EL 45 7/8MORB 3/4MJIC		
16.	851-279C	RPBY 851-280C	S/N 111300-	
17.	851-280C	HH3/8R16 018 3/4FJIC(1 90) TC		
18.	851-284C	HH3/8R16 025 3/4FJIC TC		
19.	851-284C	HH3/8R16 025 3/4FJIC TC		

Cutting Edge Options

Applies to STB1560, STB1572, STB1584, STB1596



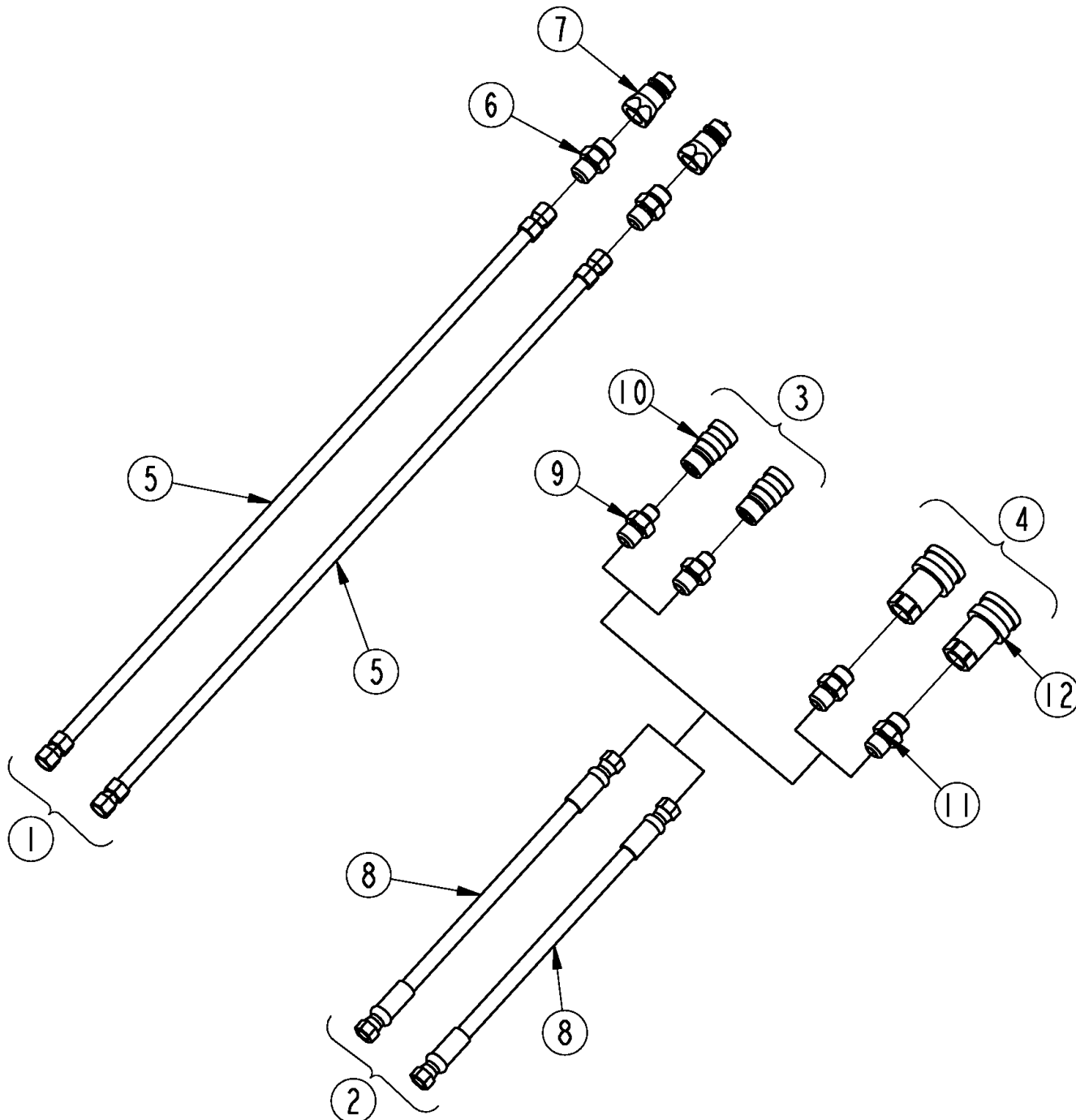
39395

Cutting Edge Options**Applies to STB1560, STB1572, STB1584, STB1596**

Ref	Part No.	Part Description	Comments	Revision
	Dwg 39395	Image No.		
1.	301-479A	STEEL CUTTING EDGE ASSY 60"	STB1560	
1.	301-480A	STEEL CUTTING EDGE ASSY 72"	STB1572	
1.	301-481A	STEEL CUTTING EDGE ASSY 84"	STB1584	
1.	301-482A	STEEL CUTTING EDGE ASSY 96"	STB1596	
2.	301-487A	POLY CUTTING EDGE ASSY 60"	STB1560	
2.	301-488A	POLY CUTTING EDGE ASSY 72"	STB1572	
2.	301-489A	POLY CUTTING EDGE ASSY 84"	STB1584	
2.	301-490A	POLY CUTTING EDGE ASSY 96"	STB1596	
3.	301-574D	POLY BLADE STRAP 60"	STB1560	
3.	301-575D	POLY BLADE STRAP 72"	STB1572	
3.	301-576D	POLY BLADE STRAP 84"	STB1594	
3.	301-577D	POLY BLADE STRAP 96"	STB1596	
4.	802-331C	RHSNB 1/2-13X1 3/4 GR5		
5.	802-354C	PLOW 1/2-13X1 1/2 GR5		
6.	803-037C	NUT HEX WHIZ 1/2-13 PLT		
7.	837-023C	POLY CUTTING EDGE 60"	STB1560 (10 bolt holes)	
7.	837-024C	POLY CUTTING EDGE 72"	STB1572 (12 bolt holes)	
7.	837-025C	POLY CUTTING EDGE 84"	STB1584 (14 bolt holes)	
7.	837-026C	POLY CUTTING EDGE 96"	STB1596 (16 bolt holes)	
8.	891-439C	STEEL CUTTING EDGE 60"	STB1560 (10 bolt holes)	
8.	891-440C	STEEL CUTTING EDGE 72"	STB1572 (12 bolt holes)	
8.	891-441C	STEEL CUTTING EDGE 84"	STB1584 (14 bolt holes)	
8.	891-442C	STEEL CUTTING EDGE 96"	STB1596 (16 bolt holes)	

Hose & Coupler Options

Applies to STB1560, STB1572, STB1584, STB1596



39736

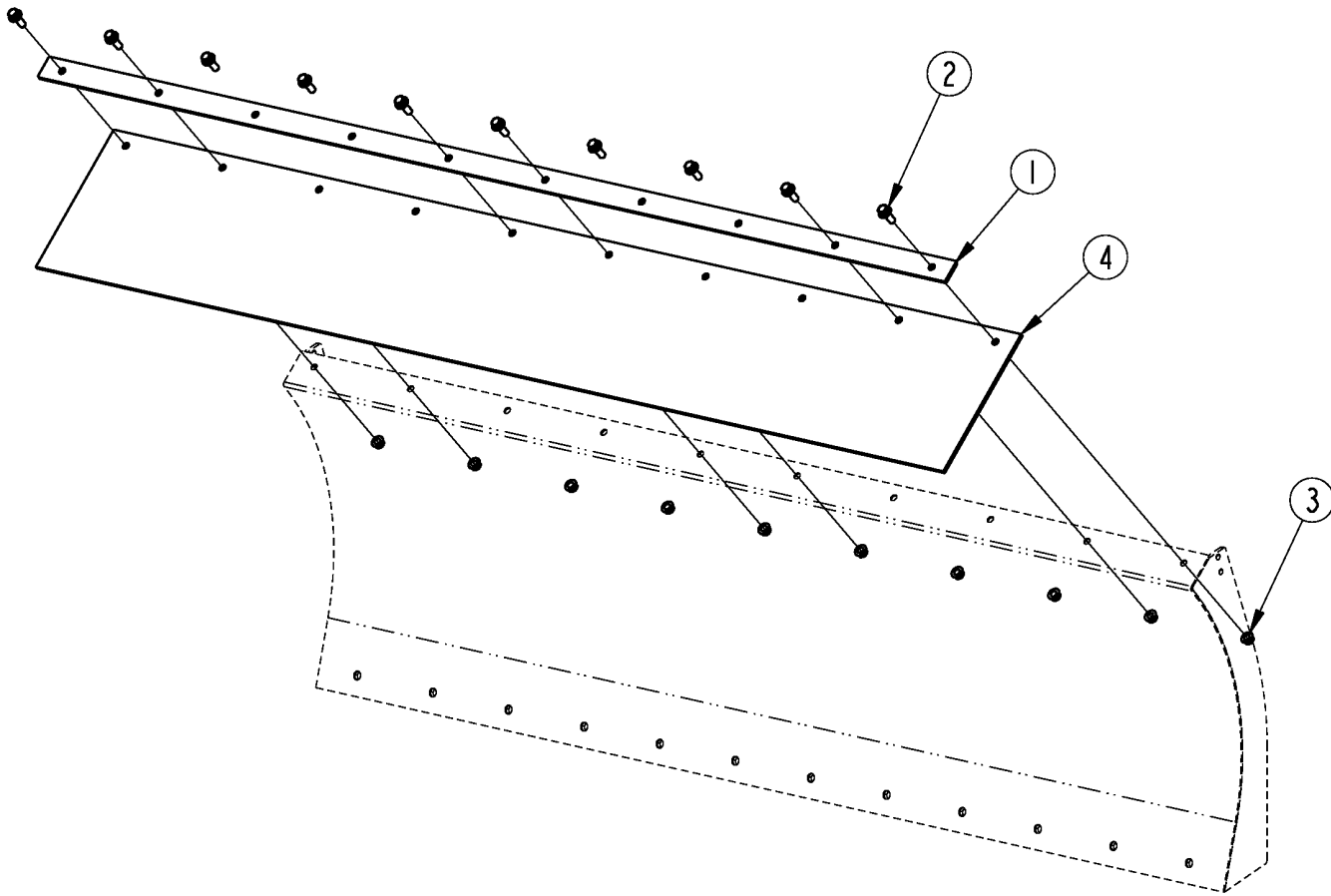
Hose & Coupler Options

Applies to STB1560, STB1572, STB1584, STB1596

Ref	Part No.	Part Description	Comments	Revision
	Dwg 39736	Image No.		
1.	301-506A	24' TRACTOR HOSES		
2.	301-507A	TRACTOR HOSES - FRONT		
3.	301-509A	SMALL TRACTOR POPPET COUPLERS		
4.	301-508A	LARGE TRACTOR POPPET COUPLERS		
5.	811-969C	HH3/8R2 283 3/4FJIC		
6.	811-088C	AD 3/4MORB 3/4MJIC		
7.	811-394C	CP 3/4FORB MALE QD POPPET TYPE		
8.	851-283C	HH3/8R16 068 3/4FJIC TC		
9.	811-584C	AD 9/16MORB 3/4MJIC		
10.	841-466C	CP 9/16FORB QD 1/4BODY FEMALE		
11.	811-088C	AD 3/4MORB 3/4MJIC		
12.	811-870C	CP 3/4FORB QD FEMALE (POPPET		

Rubber Deflector

Applies to STB1560, STB1572, STB1584, STB1596



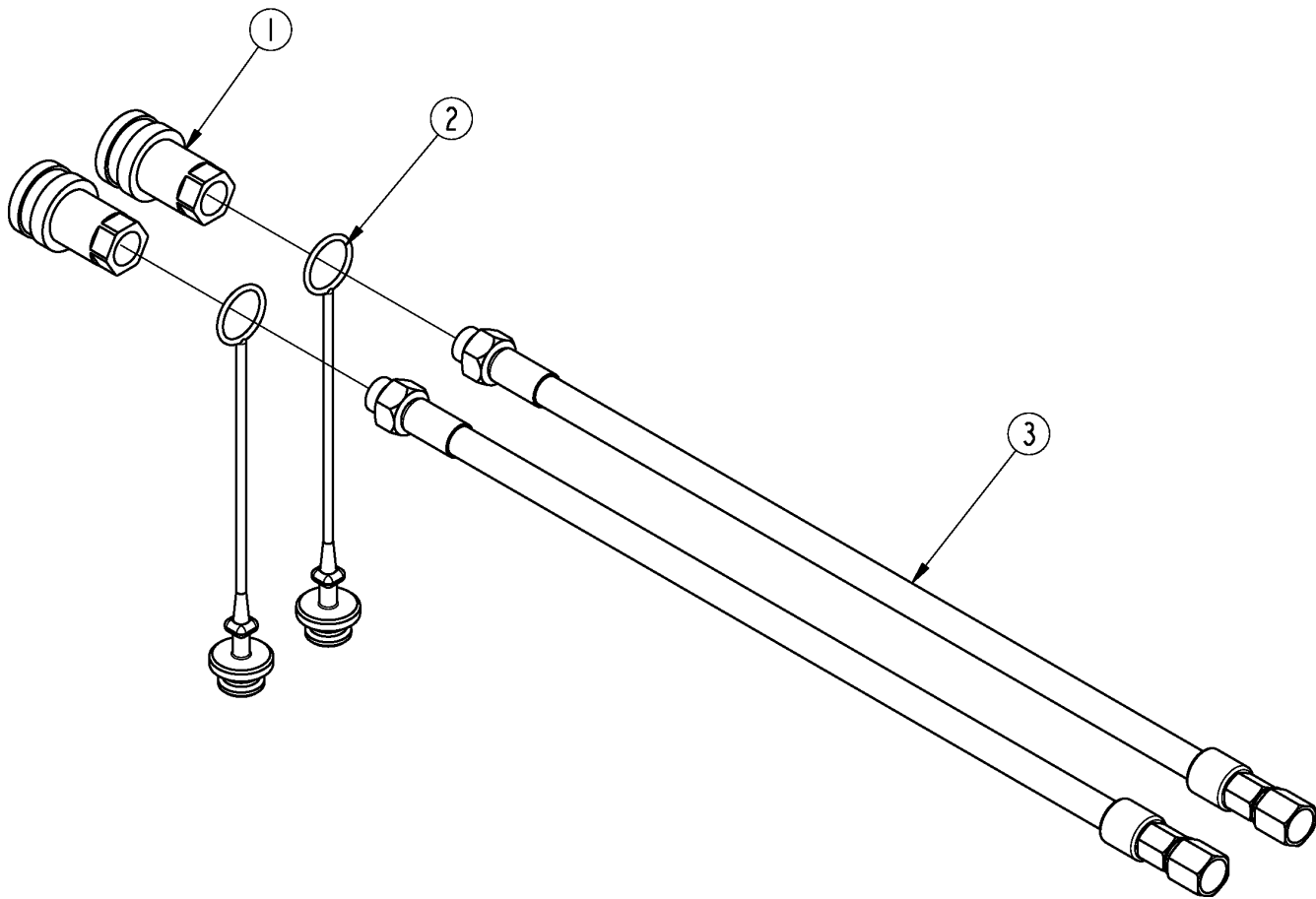
39394

Rubber Deflector**Applies to STB1560, STB1572, STB1584, STB1596**

Ref	Part No.	Part Description	Comments	Revision
	Dwg 39394	Image No.		
	301-483A	TOP RUBBER DEFLECTOR 60"	STB1560	
	301-484A	TOP RUBBER DEFLECTOR 72"	STB1572	
	301-485A	TOP RUBBER DEFLECTOR 84"	STB1584	
	301-486A	TOP RUBBER DEFLECTOR 96"	STB1596	
	*			
1.	301-570D	DEFLECTOR STRAP 60"	STB1560 (8 bolt holes)	
1.	301-571D	DEFLECTOR STRAP 72"	STB1572 (10 bolt holes)	
1.	301-572D	DEFLECTOR STRAP 84"	STB1584 (11 bolt holes)	
1.	301-573D	DEFLECTOR STRAP 96"	STB1596 (12 bolt holes)	
2.	802-388C	HFS 3/8-16X1 GR5		
3.	803-209C	NUT FLANGE LOCK 3/8-16 PLT		
4.	816-809C	TRIP BLADE DEFLECTOR FLAP 60"	STB1560 (8 bolt holes)	
4.	816-810C	TRIP BLADE DEFLECTOR FLAP 72"	STB1572 (10 bolt holes)	
4.	816-811C	TRIP BLADE DEFLECTOR FLAP 84"	STB1584 (11 bolt holes)	
4.	816-812C	TRIP BLADE DEFLECTOR FLAP 96"	STB1596 (12 bolt holes)	

Third Function Valve Hose Kit 301-565A

Applies to STB1560, STB1572, STB1584, STB1596



39946

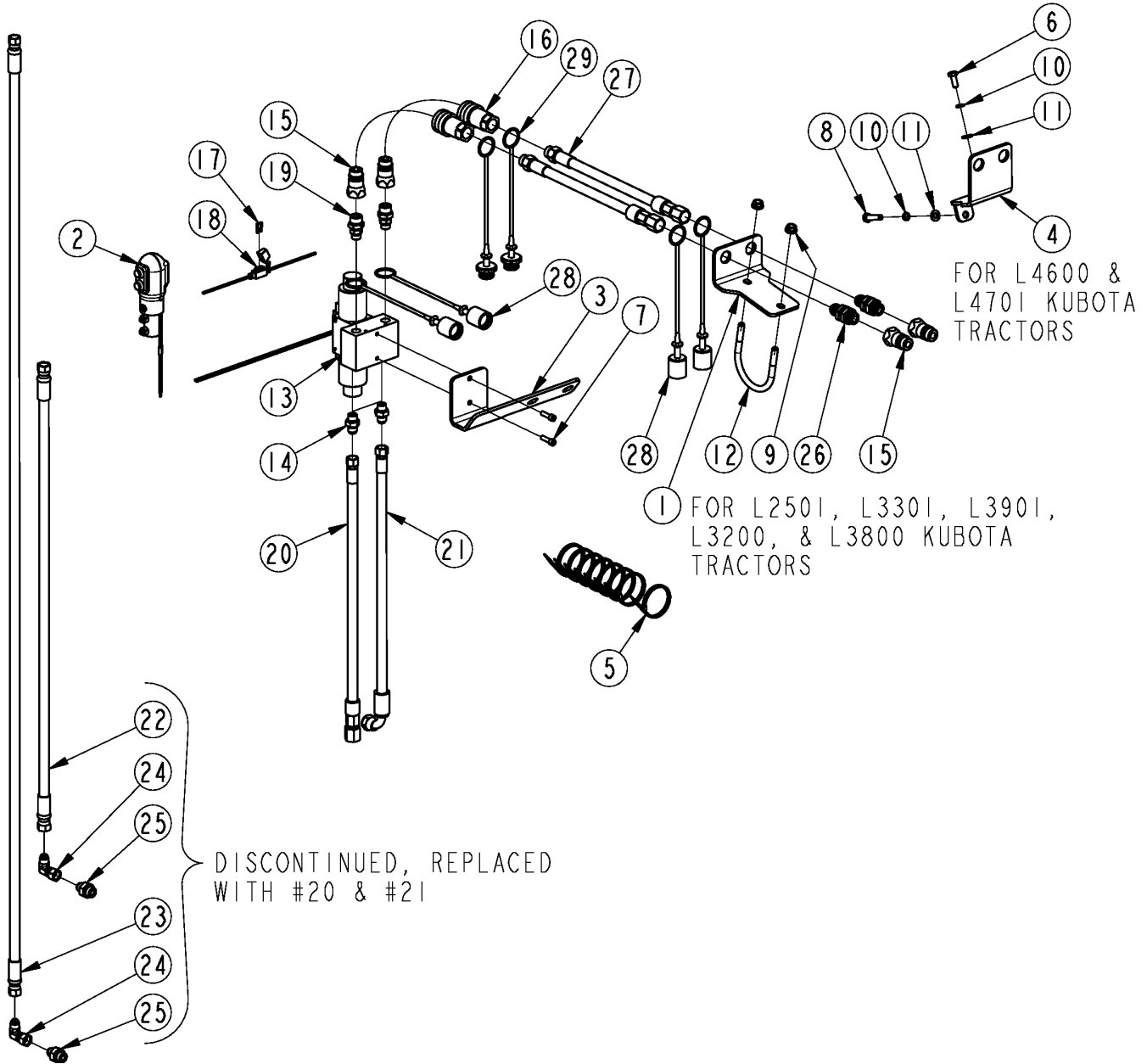
Third Function Valve Hose Kit 301-565A

Applies to STB1560, STB1572, STB1584, STB1596

Ref	Part No.	Part Description	Comments	Revision
	Dwg 39946 301-565A	Image No. HOSE KIT, THIRD FUNCTION	For third function valve kits 380-093A, 380-152A, 380-168A and 380-166A	
		*		
1.	811-870C	CP 3/4FORB QD FEMALE (POPPET)		
2.	851-975C	DUST PLUG, 1/2" QD AG		
3.	861-076C	HH3/8R2 066 3/4FJIC 3/4MORB		

Third Function Valve Kit 380-152A for Kubota L2501 L3200 L3800 L3301 L3901 L4600 & L4701

Applies to STB1560, STB1572, STB1584, STB1596

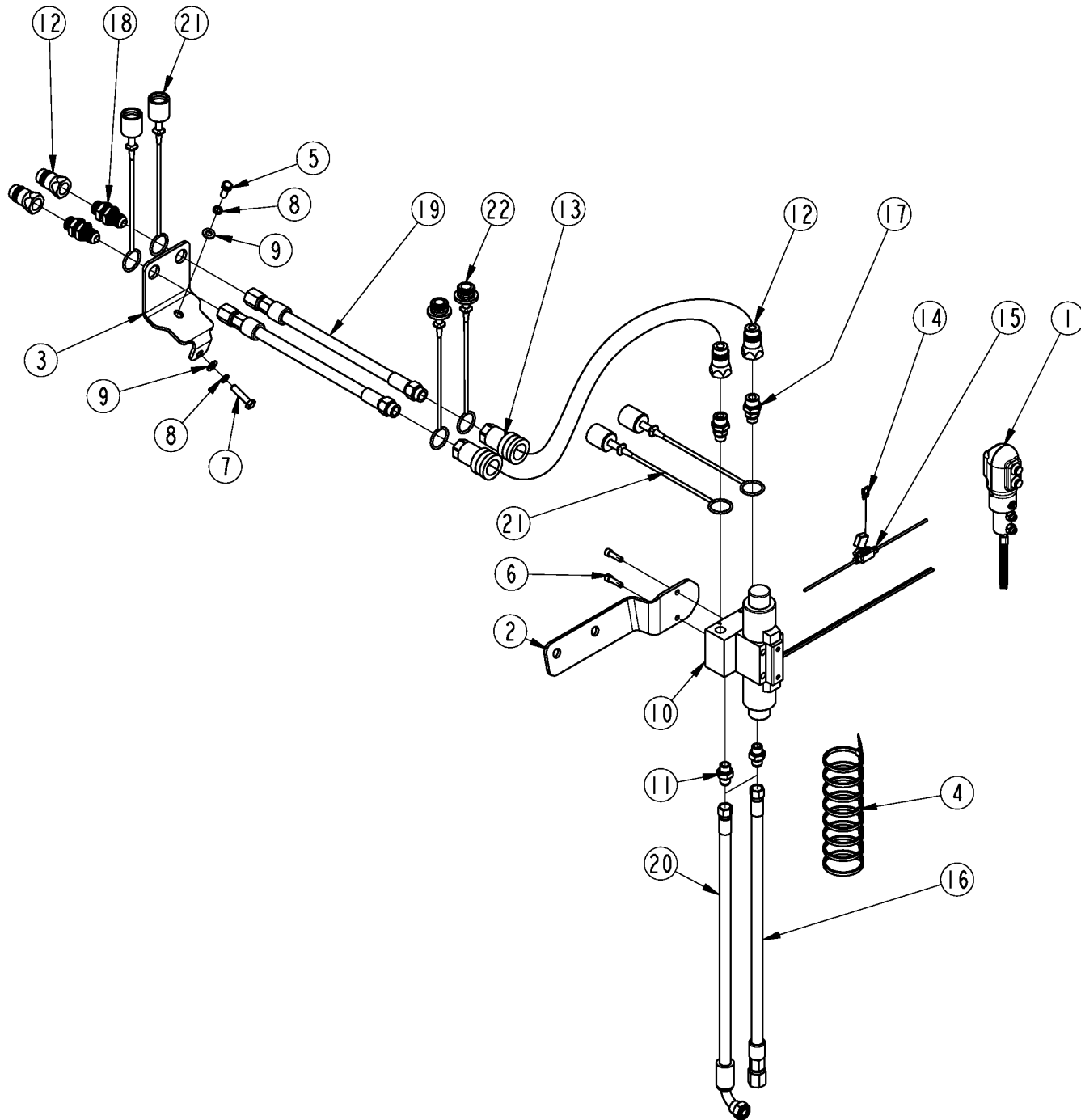


Third Function Valve Kit 380-152A for Kubota L2501 L3200 L3800 L3301 L3901 L4600 & L4701

Applies to STB1560, STB1572, STB1584, STB1596			Comments	Revision
Ref	Part No.	Part Description		
	Dwg 37198	Image No.		
	380-152A	VALVE KIT L3301 3RD FNCTION *		
1.	380-164D	PLATE, BLKHD MOUNT		
2.	380-165S	ASY, PUSH BUTTON CNTRL HNDL		
3.	380-234D	BRKT, VALVE MOUNT		
4.	380-255D	PLATE, BLKHD MOUNT		
5.	800-112C	CABLE TIE .19X7.25 1.75D 50LB		
6.	802-314C	HHCS M8X1.25X20 GR8.8		
7.	802-418C	HSHCS 1/4-20X7/8		
8.	802-967C	HHCS M8X1.25X35 GR8.8		
9.	803-198C	NUT HEX WHIZ 3/8-16 PLT		
10.	804-157C	WASHER SPRING LOCK M8 PLT		
11.	804-161C	WASHER FLAT M8 PLT		
12.	806-261C	U-BOLT 3/8-16X3X3 5/8 RND		
13.	810-926C	VALVE, THIRD FUNCTION		
14.	811-170C	AD 9/16MORB 9/16MJIC		
15.	811-394C	CP 3/4FORB MALE QD POPPET TYPE		
16.	811-870C	CP 3/4FORB QD FEMALE (POPPET)		
17.	833-495C	FUSE, 10 AMP MINI BLADE		
18.	833-650C	BLADE FUSE HOLDER, MINI		
19.	851-084C	AD 9/16MORB 3/4MORB		
20.	841-331C	HH3/8R2 035 3/4FJIC 9/16FJIC		
21.	851-490C	HH3/8R2 035 3/4FJIC90 9/16FJIC		
22.	811-701C	HH3/8R2 033 9/16FJIC		
23.	811-703C	HH3/8R2 068 9/16FJIC		
24.	811-169C	EL 9/16MJIC 9/16FJIC		
25.	851-349C	AD 9/16MJIC 3/8MBSPP		
26.	851-344C	AD 3/4MJIC 3/4MORB BLKHD W/ LN		
27.	851-376C	HH3/8R2 086 3/4FJIC 3/4MORB		
28.	851-974C	DUST CAP, 1/2" QD AG		
29.	851-975C	DUST PLUG, 1/2" QD AG		

Third Function Valve Kit 380-166A for Kubota MX4700, MX4800, MX5100, MX5200, MX5800, & MX6899

Applies to STB1560, STB1572, STB1584, STB1596



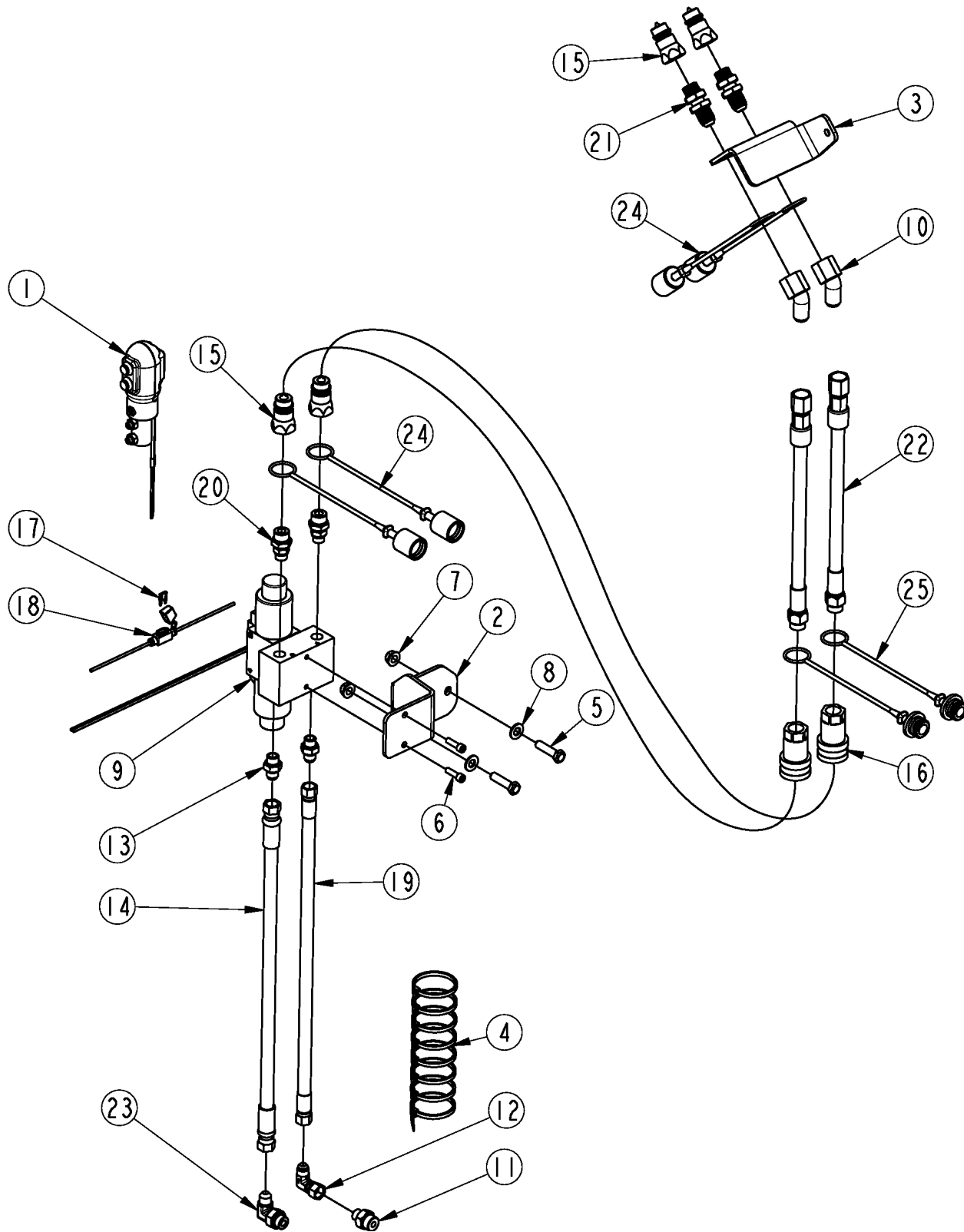
37543

Third Function Valve Kit 380-166A for Kubota MX4700, MX4800, MX5100, MX5200, MX5800, & MX6899

Applies to STB1560, STB1572, STB1584, STB1596			Comments	Revision
Ref	Part No.	Part Description		
	Dwg 37543	Image No.		
	380-166A	VALVE KIT MX5200 3RD FNCTION *		
1.	380-165S	ASY, PUSH BUTTON CNTRL HNDL		
2.	380-254D	BRKT, VALVE MOUNT		
3.	380-255D	PLATE, BLKHD MOUNT		
4.	800-112C	CABLE TIE .19X7.25 1.75D 50LB		
5.	802-314C	HHCS M8X1.25X20 GR8.8		
6.	802-418C	HSHCS 1/4-20X7/8		
7.	802-967C	HHCS M8X1.25X35 GR8.8		
8.	804-157C	WASHER SPRING LOCK M8 PLT		
9.	804-161C	WASHER FLAT M8 PLT		
10.	810-926C	VALVE, THIRD FUNCTION		
11.	811-170C	AD 9/16MORB 9/16MJIC		
12.	811-394C	CP 3/4FORB MALE QD POPPET TYPE		
13.	811-870C	CP 3/4FORB QD FEMALE (POPPET)		
14.	833-495C	FUSE, 10 AMP MINI BLADE		
15.	833-650C	BLADE FUSE HOLDER, MINI		
16.	841-331C	HH3/8R2 035 3/4FJIC 9/16FJIC		
17.	851-084C	AD 9/16MORB 3/4MORB		
18.	851-344C	AD 3/4MJIC 3/4MORB BLKHD W/ LN		
19.	851-489C	HH3/8R2 098 3/4FJIC 3/4MORB		
20.	851-490C	HH3/8R2 035 3/4FJIC90 9/16FJIC		
21.	851-974C	DUST CAP, 1/2" QD AG		
22.	851-975C	DUST PLUG, 1/2" QD AG		

Third Function Valve Kit 380-168A for Kubota B3350 B2650 & LA534 LA534A

Applies to STB1560, STB1572, STB1584, STB1596



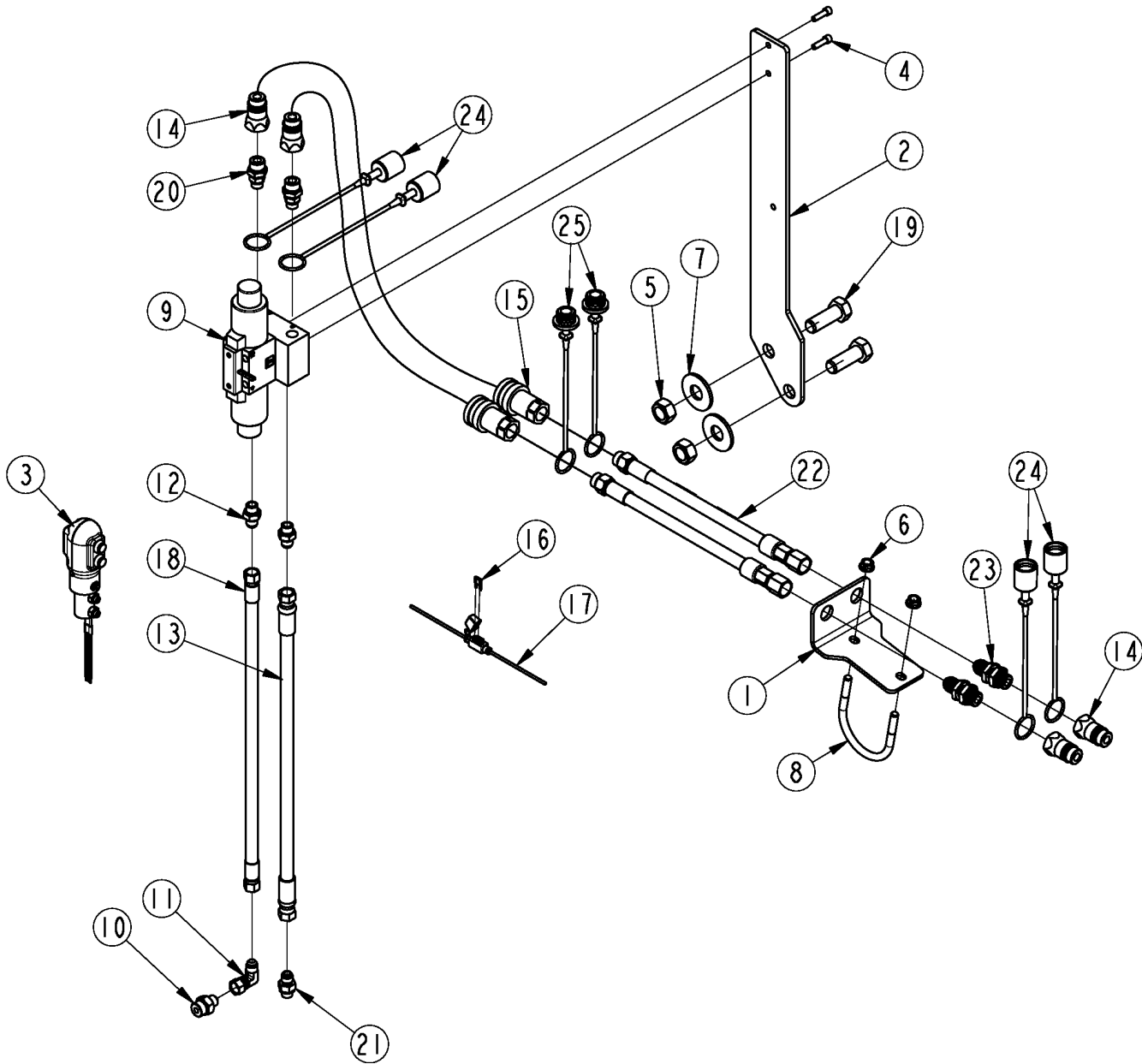
37632

Third Function Valve Kit 380-168A for Kubota B3350 B2650 & LA534 LA534A**Applies to STB1560, STB1572, STB1584, STB1596**

Ref	Part No.	Part Description	Comments	Revision
	Dwg 37632	Image No.		
	380-168A	VALVE KIT B3350 3RD FNCTION		
1.	380-165S	ASY, PUSH BUTTON CNTRL HNDL		
2.	380-256D	BRKT, VALVE MOUNT		
3.	380-257D	PLATE, BLKHD MOUNT		
4.	800-112C	CABLE TIE .19X7.25 1.75D 50LB		
5.	802-022C	HHCS 3/8-16X1 1/2 GR5		
6.	802-418C	HSHCS 1/4-20X7/8		
7.	803-209C	NUT FLANGE LOCK 3/8-16 PLT		
8.	804-012C	WASHER FLAT 3/8 SAE PLT		
9.	810-926C	VALVE, THIRD FUNCTION		
10.	811-040C	EL 45 3/4MJIC 3/4FJIC		
11.	811-133C	AD 9/16MJIC 3/4MORB		
12.	811-169C	EL 9/16MJIC 9/16FJIC		
13.	811-170C	AD 9/16MORB 9/16MJIC		
14.	811-253C	HH3/8R2 062 9/16FJIC		
15.	811-394C	CP 3/4FORB MALE QD POPPET TYPE		
16.	811-870C	CP 3/4FORB QD FEMALE (POPPET)		
17.	833-495C	FUSE, 10 AMP MINI BLADE		
18.	833-650C	BLADE FUSE HOLDER, MINI		
19.	841-563C	HH3/8R2 048 FJIC9/16FJIC9/16		
20.	851-084C	AD 9/16MORB 3/4MORB		
21.	851-344C	AD 3/4MJIC 3/4MORB BLKHD W/ LN		
22.	851-376C	HH3/8R2 086 3/4FJIC 3/4MORB		
23.	851-768C	EL 3/8MBSPP 9/16MJIC		
24.	851-974C	DUST CAP, 1/2" QD AG		
25.	851-975C	DUST PLUG, 1/2" QD AG		

Thrid Function Valve Kit 380-093A for Kubota B3300 & LA504

Applies to STB1560, STB1572, STB1584, STB1596

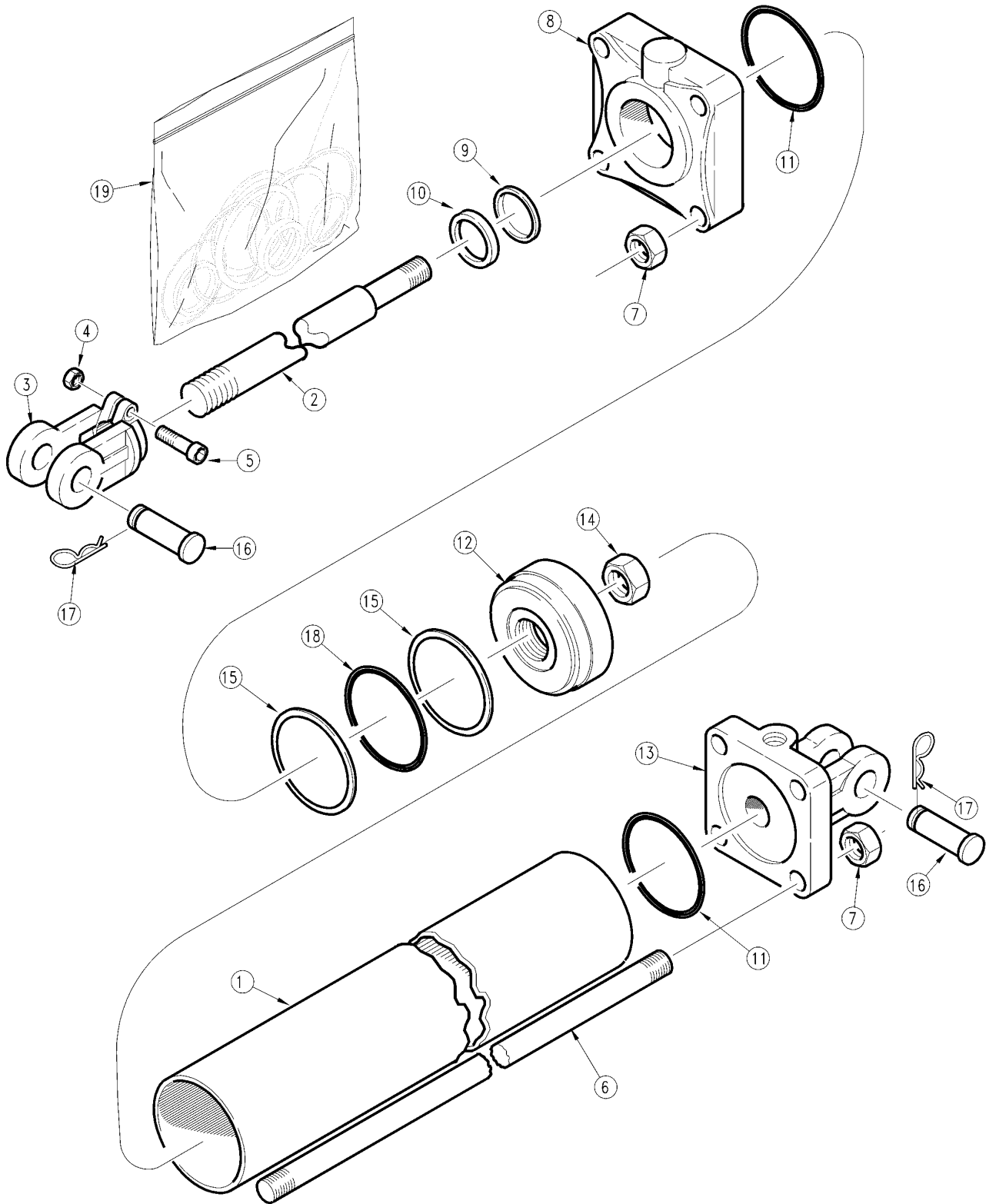


Thrid Function Valve Kit 380-093A for Kubota B3300 & LA504**Applies to STB1560, STB1572, STB1584, STB1596**

Ref	Part No.	Part Description	Comments	Revision
	Dwg 37013	Drawing Image Number		
	380-093A	VALVE KIT B3300 3RD FNCTION *		
1.	380-164D	PLATE, BLKHD MOUNT		
2.	380-165D	PLATE, VALVE MOUNT		
3.	380-165S	ASY, PUSH BUTTON CNTRL HNDL		
4.	802-418C	HSHCS 1/4-20X7/8		
5.	803-112C	NUT HEX M18X2.5		
6.	803-198C	NUT HEX WHIZ 3/8-16 PLT		
7.	804-024C	WASHER FLAT 3/4 USS PLT		
8.	806-261C	U-BOLT 3/8-16X3X3 5/8 RND		
9.	810-926C	VALVE, THIRD FUNCTION		
10.	811-133C	AD 9/16MJIC 3/4MORB		
11.	811-169C	EL 9/16MJIC 9/16FJIC		
12.	811-170C	AD 9/16MORB 9/16MJIC		
13.	811-253C	HH3/8R2 062 9/16FJIC		
14.	811-394C	CP 3/4FORB MALE QD POPPET TYPE		
15.	811-870C	CP 3/4FORB QD FEMALE (POPPET)		
16.	833-495C	FUSE, 10 AMP MINI BLADE		
17.	833-650C	BLADE FUSE HOLDER, MINI		
18.	841-563C	HH3/8R2 048 FJIC9/16FJIC9/16		
19.	842-216C	HHCS M18X2.5X50 GR8.8 FTHD		
20.	851-084C	AD 9/16MORB 3/4MORB		
21.	851-087C	AD 9/16MJIC 1/4MBSPP		
22.	851-088C	HH3/8R2 074 3/4FJIC 3/4MORB		
23.	851-344C	AD 3/4MJIC 3/4MORB BLKHD W/ LN		
24.	851-974C	DUST CAP, 1/2" QD AG		
25.	851-975C	DUST PLUG, 1/2" QD AG		

Hydraulic Cylinder (810-601C) Midway

Applies to STB1560, STB1572, STB1584, STB1596



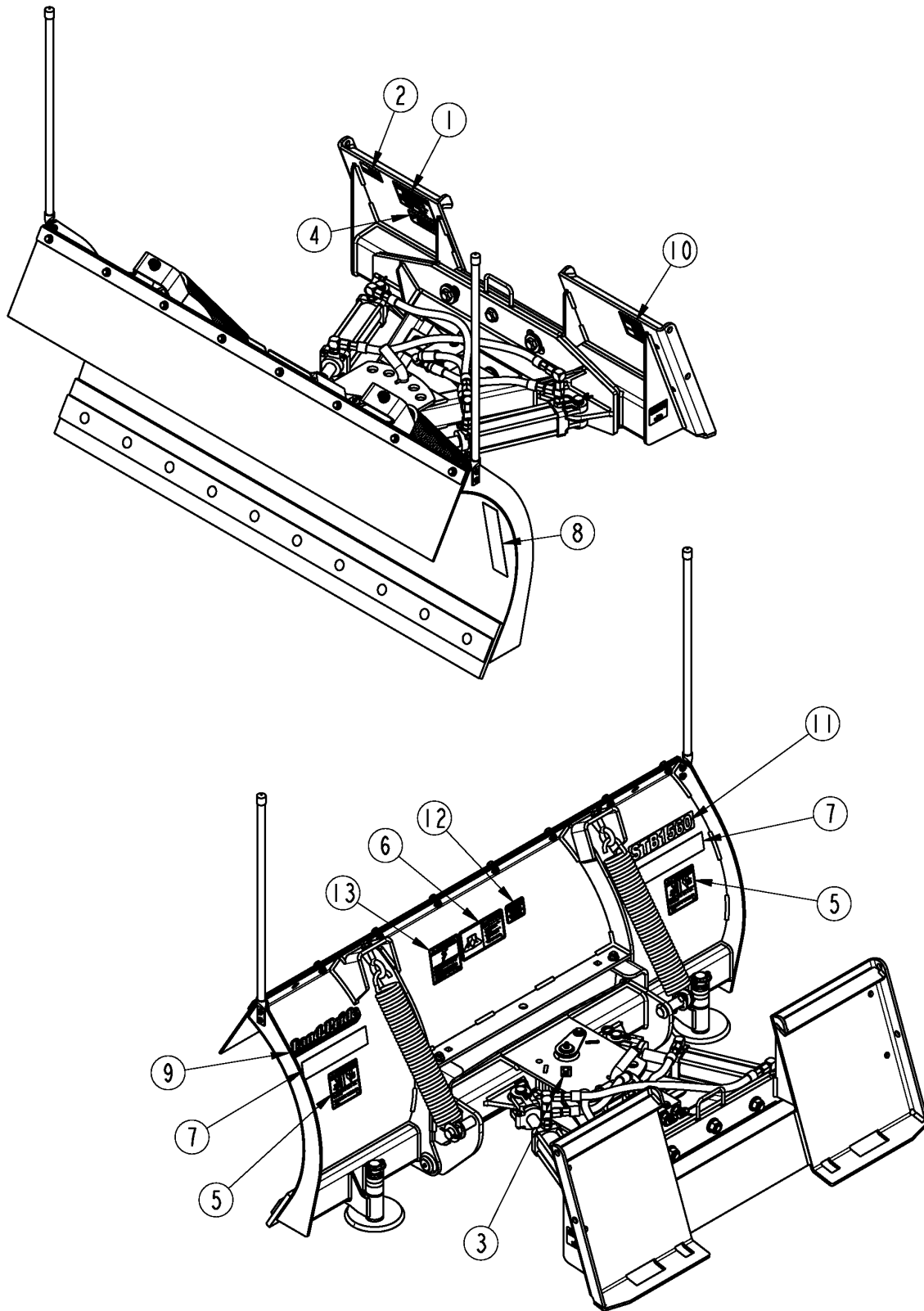
24812

Hydraulic Cylinder (810-601C) Midway**Applies to STB1560, STB1572, STB1584, STB1596**

Ref	Part No.	Part Description	Comments	Revision
	Dwg 24812	Drawing Image Number		
	810-601C	CYL 2X6X1.125 ROD (TIE ROD) *		
1.	5M2114	MIDWAY TUBE		
2.	2M2312	MIDWAY ROD		
3.	1M6006-ADI	MIDWAY HARDENED CLEVIS ADI		
4.	803-234C	NUT HEX 3/8-16 PLAIN		
5.	802-023C	HHCS 3/8-16X1 3/4 GR5		
6.	7M2314	MIDWAY TIE ROD		
7.	803-234C	NUT HEX 3/8-16 PLAIN		
8.	3R0124	MW HEAD		
9.	N/A	*	Only in seat kit #19	
10.	N/A	*	Only in seat kit #19	
11.	N/A	*	Only in seat kit #19	
12.	4M2108	MW PISTON		
13.	6R0062	MIDWAY BASE		
14.	803-114C	NUT LOCK 3/4-16 NYLOC COLLAR		
15.	N/A	*	Only in seat kit #19	
16.	805-004C	PIN CLEVIS 1 X 2 3/4 USABLE LG		
17.	805-088C	PIN, HAIR COTTER 3/16 WIRE DIA		
18.	N/A	*	Only in seat kit #19	
19.	810-310C	SEAL KIT MW 5A2104		

Decals

Applies to STB1560, STB1572, STB1584, STB1596



39737

Decals**Applies to STB1560, STB1572, STB1584, STB1596**

Ref	Part No.	Part Description	Comments	Revision
	Dwg 39737	Image No.		
1.	818-045C	DECAL WARNING PINCH PT/CRUSH		
2.	818-190C	DECAL FLAG		
3.	818-298C	DECAL GREASE 25HRS BLACK/WHITE		
4.	838-102C	DECAL WARNING FALLING HAZARD		
5.	838-112C	DECAL DANGER PINCHING		
6.	838-293C	DECAL WARNING READ MANUAL		
7.	838-614C	DECAL REFLECTOR RED 2X9		
8.	838-615C	DECAL REFLECTOR AMBER 2X9		
9.	848-159C	DECAL LANDPRIDE 10" BROWN/GOLD		
10.	848-747C	DECAL HIGH PRESSURE FLUIDS		
11.	858-163C	DECAL, STB1560	STB1560	
11.	858-164C	DECAL, STB1572	STB1572	
11.	858-165C	DECAL, STB1584	STB1584	
11.	858-166C	DECAL, STB1596	STB1596	
12.	858-692C	DECAL NOT INTENDED FOR SSL		
13.	858-817C	DECAL WARNING THROWN OBJ STB		

Land Pride Touch-up Paints

Applies to STB1560, STB1572, STB1584, STB1596

No diagram associated with this Parts List

Land Pride Touch-up Paints**Applies to STB1560, STB1572, STB1584, STB1596**

Ref	Part No.	Part Description	Comments	Revision
1.	821-011C	LP BEIGE SPRAY CAN	Spray can	
1.	821-011CTU	LP BEIGE TOUCH-UP 5OZ	Touch-up bottle with brush	
1.	821-011CQT	LP BEIGE QUART	Quart can	
1.	821-011CGL	LP BEIGE GALLON	Gallon can	
2.	821-070C	GLOSS BLACK SPRAY CAN	Spray can	
2.	821-070CTU	GLOSS BLACK TOUCH-UP 5OZ	Touch-up bottle with brush	
2.	821-070CQT	GLOSS BLACK QUART	Quart can	
2.	821-070CGL	GLOSS BLACK GALLON	Gallon can	
3.	821-054C	MED. RED SPRAY TRCK/CTR	Spray can	
3.	821-054CTU	MED RED TOUCH-UP 5OZ	Touch-up bottle with brush	
3.	821-054CQT	MED RED QUART	Quart can	
3.	821-054CGL	MED RED GALLON	Gallon can	
4.	821-058C	GREEN SPRAY CUTTERS	Spray can	
4.	821-058CTU	GREEN TOUCH-UP 5OZ	Touch-up bottle with brush	
4.	821-058CQT	GREEN QUART	Quart can	
4.	821-058CGL	GREEN GALLON	Gallon can	
5.	821-066C	ORANGE SPRAY CAN	Spray can	
5.	821-066CTU	ORANGE TOUCH-UP 5OZ	Touch-up bottle with brush	
5.	821-066CQT	ORANGE QUART	Quart can	
5.	821-066CGL	ORANGE GALLON	Gallon can	
6.	821-067C	BLUE SPRAY CAN	Spray can	
6.	821-067CTU	BLUE TOUCH-UP 5OZ	Touch-up bottle with brush	
6.	821-067CQT	BLUE QUART	Quart can	
6.	821-067CGL	BLUE GALLON	Gallon can	
7.	821-080C	PAINT ALUMINUM/ZINC SPRAY CAN	Spray can	
7.	821-080CTU	PAINT ALUMINUM/ZINC TOUCH UP	Touch-up bottle with brush	
7.	821-080CQT	PAINT ALUMINUM/ZINC QUART	Quart can	
7.	821-080CGL	PAINT ALUMINUM/ZINC GALLON	Gallon can	



Part Number Index

The Part Number Index is a numeric index of all part numbers included in this manual. The index shows what page(s) the part is used on.

Part Number	Page	Part Number	Page	Part Number	Page	Part Number	Page
*	13, 17, 25, 27, 29, 31, 35, 37	802-064C	7	816-810C	25	858-692C	39
1M6006-ADI	37	802-082C	9	816-811C	25	858-817C	39
2M2312	37	802-106C	9	816-812C	25	861-076C	27
301-461H	9	802-114C	17, 19	818-045C	39	861-345C	13, 17
301-463A	17	802-159C	9	818-190C	39	861-346C	17
301-465H	9	802-212C	7	818-298C	39	861-347C	13, 17
301-467H	9	802-314C	29, 31	821-011C	41	861-348C	13, 17
301-468H	9	802-331C	21	821-011CGL	41	891-123C	9
301-469H	9	802-354C	21	821-011CQT	41	891-439C	21
301-470H	9	802-388C	25	821-011CTU	41	891-440C	21
301-479A	21	802-418C	29, 31, 33, 35	821-054C	41	891-441C	21
301-480A	21	802-551C	9	821-054CGL	41	891-442C	21
301-481A	21	802-655C	9	821-054CQT	41	Dwg 24812	37
301-482A	21	802-967C	29, 31	821-054CTU	41	Dwg 37013	35
301-483A	25	803-014C	17, 19	821-058C	41	Dwg 37198	29
301-484A	25	803-026C	7	821-058CGL	41	Dwg 37543	31
301-485A	25	803-036C	9	821-058CQT	41	Dwg 37632	33
301-486A	25	803-037C	9, 21	821-058CTU	41	Dwg 39394	25
301-487A	21	803-084C	9	821-066C	41	Dwg 39395	21
301-488A	21	803-088C	9	821-066CGL	41	Dwg 39731	7
301-489A	21	803-112C	35	821-066CQT	41	Dwg 39732	9
301-490A	21	803-114C	37	821-066CTU	41	Dwg 39733	19
301-506A	23	803-169C	9	821-067C	41	Dwg 39734	15
301-507A	23	803-198C	29, 35	821-067CGL	41	Dwg 39735	11
301-508A	23	803-209C	25, 33	821-067CQT	41	Dwg 39736	23
301-509A	23	803-234C	37	821-067CTU	41	Dwg 39737	39
301-528H	7	803-381C	9	821-070C	41	Dwg 39946	27
301-531A	13	804-012C	17, 19, 33	821-070CGL	41	Dwg 70974	13
301-532H	7	804-013C	17, 19	821-070CQT	41	Dwg 70976	17
301-535A	11	804-016C	9	821-070CTU	41	N/A	37
301-565A	27	804-024C	35	821-080C	41		
301-570D	25	804-025C	7	821-080CGL	41		
301-571D	25	804-029C	9	821-080CQT	41		
301-572D	25	804-147C	7	821-080CTU	41		
301-573D	25	804-157C	29, 31	833-495C	29, 31, 33, 35		
301-574D	21	804-161C	29, 31	833-650C	29, 31, 33, 35		
301-575D	21	805-004C	13, 15, 17, 19, 37	837-023C	21		
301-576D	21	805-015C	9	837-024C	21		
301-577D	21	805-017C	9	837-025C	21		
301-601D	7	805-058C	9	837-026C	21		
301-612D	9	805-088C	13, 15, 17, 19, 37	838-102C	39		
310-251D	9	805-146C	11	838-112C	39		
310-252D	9	805-158C	9	838-293C	39		
310-359D	9	805-552C	11	838-614C	39		
330-616H	9	806-261C	29, 35	838-615C	39		
332-029D	9	807-351C	9	841-331C	29, 31		
380-093A	35	810-310C	37	841-466C	23		
380-152A	29	810-385C	17, 19	841-563C	33, 35		
380-164D	29, 35	810-601C	13, 15, 17, 19, 37	842-216C	35		
380-165D	35	810-926C	29, 31, 33, 35	848-159C	39		
380-165S	29, 31, 33, 35	811-040C	33	848-747C	39		
380-166A	31	811-063C	13, 15, 17, 19	851-084C	29, 31, 33, 35		
380-168A	33	811-073C	15, 19	851-087C	35		
380-234D	29	811-088C	13, 15, 17, 19, 23	851-088C	35		
380-254D	31	811-114C	15, 19	851-279C	19		
380-255D	29, 31	811-133C	33, 35	851-280C	19		
380-256D	33	811-150C	15, 19	851-283C	23		
380-257D	33	811-153C	13, 15, 17, 19	851-284C	15, 19		
3R0124	37	811-169C	29, 33, 35	851-344C	29, 31, 33, 35		
4M2108	37	811-170C	29, 31, 33, 35	851-349C	29		
5M2114	37	811-253C	33, 35	851-376C	29, 33		
6R0062	37	811-394C	23, 29, 31, 33, 35	851-489C	31		
7M2314	37	811-584C	23	851-490C	29, 31		
800-001C	9	811-701C	29	851-768C	33		
800-073C	9	811-703C	29	851-974C	29, 31, 33, 35		
800-080C	9	811-778C	17, 19	851-975C	27, 29, 31, 33, 35		
800-112C	29, 31, 33	811-870C	23, 27, 29, 31, 33, 35	858-163C	39		
802-022C	33	811-969C	23	858-164C	39		
802-023C	37	816-809C	25	858-165C	39		
				858-166C	39		

This Page Intentionally Left Blank



Great Plains Manufacturing, Inc.

Corporate Office: P.O. Box 5060
Salina, Kansas 67402-5060 USA

www.landpride.com
