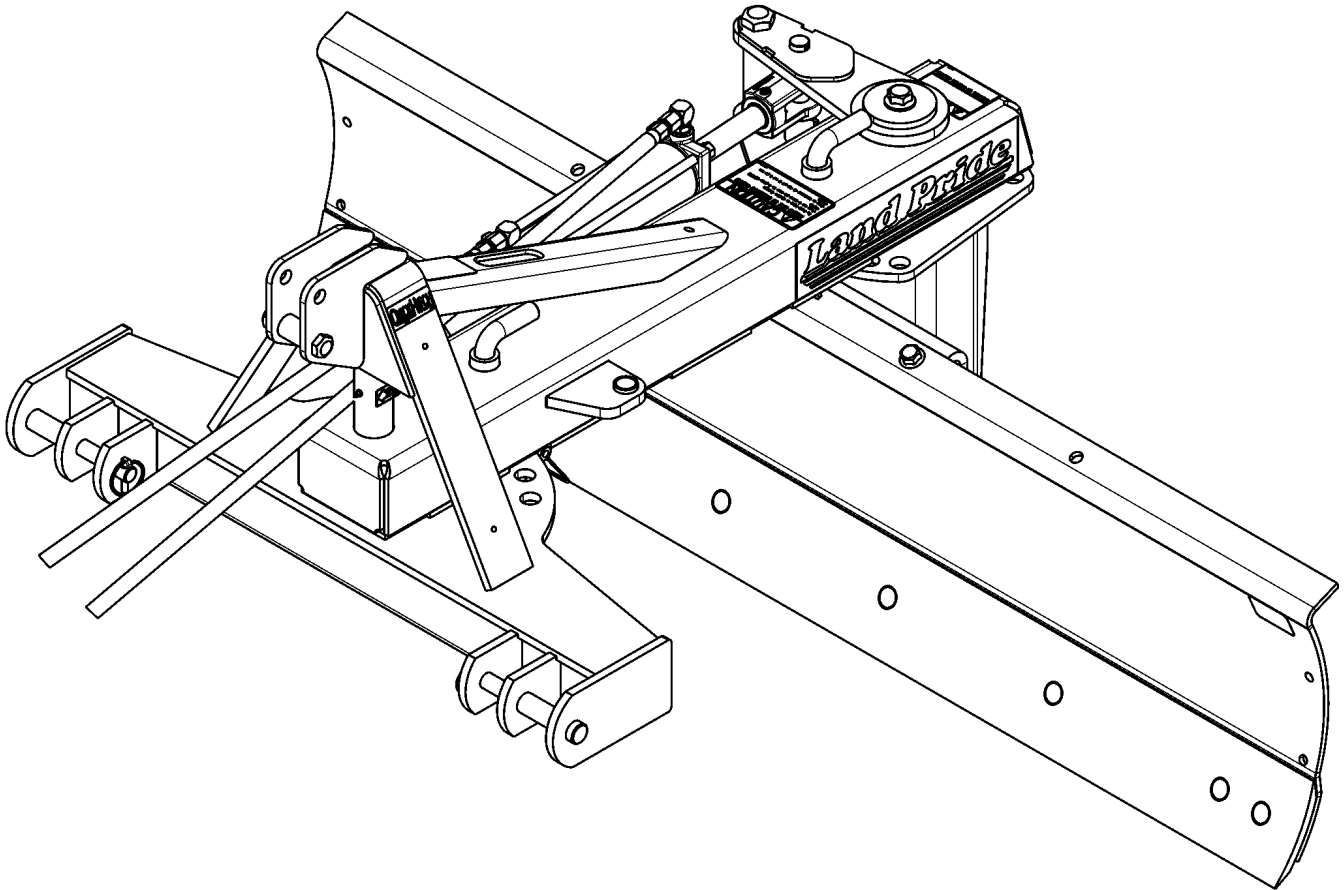


Rear Blades

RB3772, RB3784 & RB3796



35463

301-457P
Parts Manual



Read the Operator's Manual entirely. When you see this symbol, the subsequent instructions and warnings are serious - follow without exception. Your life and the lives of others depend on it!

© Copyright 2018 Printed 07/09/18

Cover photo may show optional equipment not supplied with standard unit.





Table of Contents

Section 1: Introduction.....	4
Using This Manual.....	4
Manual Replacement Information.....	4
Manual Revisions.....	4
Touch-up Paint.....	4
Hardware Legend.....	5
Replacement Hardware.....	5
Serial Numbers.....	5
Part Number Service Coding.....	5
Section 2: Frame.....	6
Frame & Hitch.....	6
Section 3: Blade.....	8
Blade Components.....	8
Section 4: Decals.....	10
Decal Placement.....	10
Land Pride Touch-up Paints.....	12
Section 5: Options & Accessories.....	14
Hydraulic Angle Option.....	14
Hydraulic Cylinder (810-747C).....	16
Side Plates.....	18
Skid Shoe.....	20
Part Number Index.....	22

© Copyright 2018. All rights reserved.

Land Pride provides this publication “as is” without warranty of any kind, either expressed or implied. While every precaution has been taken in the preparation of this manual, Land Pride assumes no responsibility for errors or omissions. Neither is any liability assumed for damages resulting from the use of the information contained herein. Land Pride reserves the right to revise and improve its products as it sees fit. This publication describes the state of this product at the time of its publication, and may not reflect the product in the future. The illustrations in this manual are not intended for safe and proper assembly or disassembly of equipment. The illustrations are intended for ordering parts only.

Land Pride is registered trademark.

All other brands and product names are trademarks or registered trademarks of their respective holders.

Printed in the United States of America.



Alphabetized Table of Contents

B	
Blade Components.....	8
D	
Decal Placement.....	10
F	
Frame & Hitch.....	6
H	
Hydraulic Angle Option.....	14
Hydraulic Cylinder (810-747C).....	16
L	
Land Pride Touch-up Paints.....	12
S	
Side Plates.....	18
Skid Shoe.....	20

General Information

Using This Manual

This manual is divided into sections. The first section contains General Information. The remaining sections divide the machine into segments (i.e. Frames, Drives, Hydraulics, etc.) which illustrate and list all parts. A Parts Number Index is located at the back of the book.

The Land Pride parts in this manual are specially designed for this machine and should be replaced with Land Pride parts only.

The information in this manual is current at time of printing. Some parts may change to assure top performance.

Right-hand and left-hand as used in this manual are determined by facing the direction the machine will travel while in use.

Below is an example of two facing pages from a parts manual. Familiarize yourself with the type of information contained on these pages.

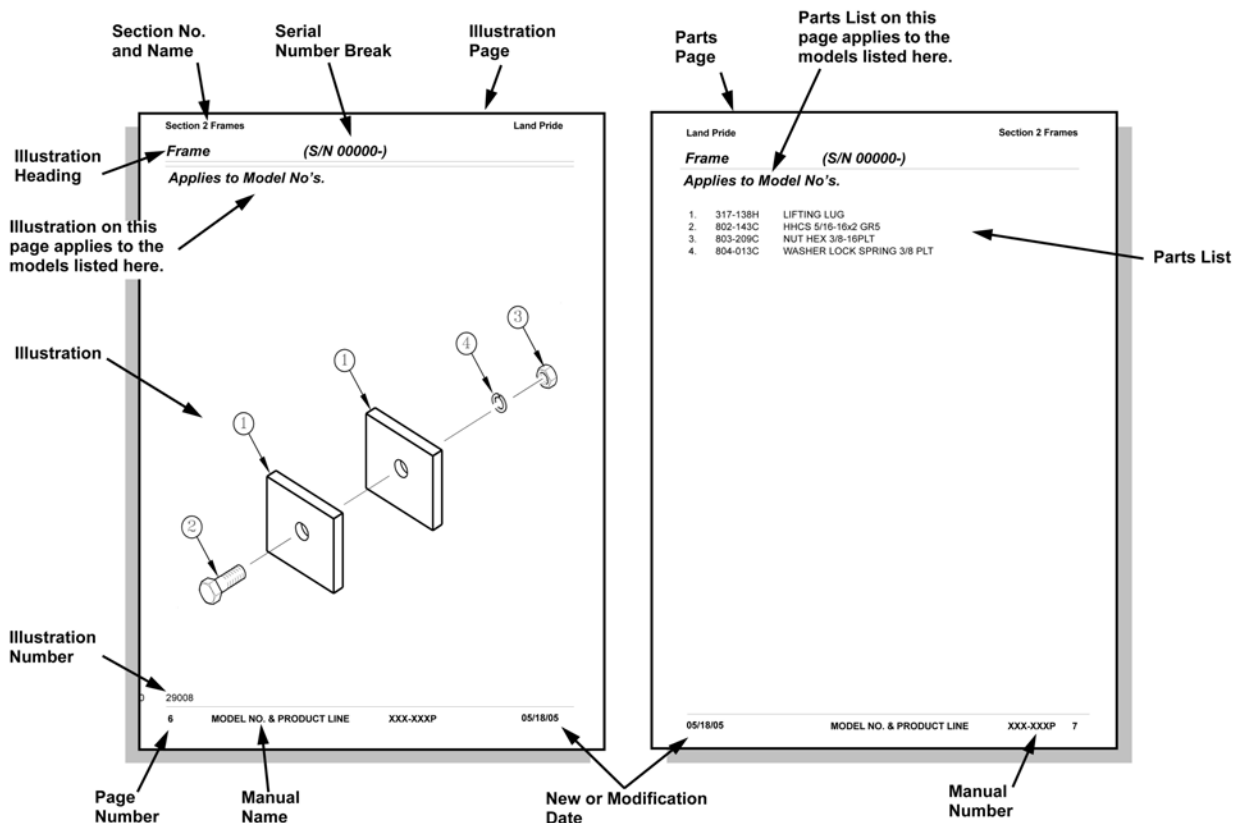
Manual Replacement Information

Replacement manuals are available. Refer to our website at www.landpride.com or e-mail us at lit@landpride.com for additional information. Our website continues to provide the most up-to-date manuals available.

Touch-up Paint

Repaint parts where paint is worn or scratched to prevent rust. Aerosol cans and touch-up bottles with brush applicator are available through your local dealer. Also available are quart and gallon size paints. Add QT or GL to end of the Aerosol P/N.

Land Pride color descriptions and part numbers are listed on the "Land Pride Touch-up Paints" page in the "Decals" section of this book. Color options vary by product.



General Information

Hardware Legend

AR	As Required
BLADE	Blade Bolt
C	Cap Screw
CP	Cotter Pin
CPHSSS	Cup Point Hex Socket Set Screw
CPSHSS	Cup Point Square Head Set Screw
CPSQHSS	Cup Point Square Head Set Screw
CRFCHMS3	Cross Recess Flat Countersunk Head Machine Screw
CRPHMS	Cross Recess Pan Head Machine Screw
CRPHTF	Cross Recess Pan Head Thread Forming
CRRHMS	Cross Recess Round Head Machine Screw
CRTHMS	Cross Recess Truss Head Machine Screw
CSNB	Countersunk Square Neck Bolt
FHMS	Flat Head Machine Screw
FTC	Full Thread Cap Screw
H	Hex Nut
HCLN	Hex Center Lock Nut
HFLCS	Hex Flange Lock Cap Screw
HFS	Hex Flange Screw
HFSLN	Hex Flange Serrated Lock Nut
HFSS	Hex Flange Serrated Screw
HHCS	Hex Head Cap Screw or Metric Bolt
HSBHCS	Hex Socket Button Head Cap Screw
HSFCHCS	Hex Socket Flat Countersunk Head Cap Screw
HSHCS	Hex Socket Head Cap Screw
HSSS	Hex Socket Head Screw
HTLN	Hex Top Lock Nut
HWHCS	Hex Washer Head Cap Screw

HWHMS	Hex Washer Head Machine Screw
HXBHCS	Hex Socket Button Head Cap Screw
J	Hex Jam Nut
JIC	37 Degree Tapered Thread
L	Helical Spring Lock Washer
LUG	Lug Bolt
NFC	National Fine Cap Screw
NPSM	National Pipe Straight Mechanical
NPTF	National Pipe Taper Fuel
P	Wide Plain Washer
PHMS	Pan Head Machine Screw
PLOW	Plow Bolt
RHMS	Round Head Machine Screw
RHSNB	Round Head Square Neck Bolt
SCREW LEVELING	Leveling Screw
SCREW THUMB	Thumb Screw
SCREW WELD	Weld Screw
SFCHMS	Slotted Flat Countersunk Head Machine Screw
SFHMS	Slotted Fillister Head Machine Screw
SP	Special
SP SCREW	Special Screw
SOHSS	Square Head Set Screw
SRHMS	Slotted Round Head Machine Screw
SSS	Socket Set Screw
STCS	Self Tapping Cap Screw
STHMS	Slotted Truss Head Machine Screw
WHEEL	Wheel Studs and Hub Long Bolts
WING	Wing Bolt

Replacement Hardware

The **Hardware Legend** above lists hardware abbreviations used in the parts list. All bolts and nuts are Grade 5 unless otherwise noted. The use of improper grades of hardware can result in personal injury, damage to equipment, or loss of property.

Colored Replacement Parts

Land Pride offers replacement parts in factory standard colors and also on select models in Green, Orange, Red and Blue. Because of the variety of colors available, special attention must be given to the part number to prevent ordering the wrong replacement part.

A suffix number corresponding to one of the colors below must be added at the end of Land Pride's part number when ordering a replacement part with that color.

81 Green 83 Red
82 Orange 84 Blue

For example, if you are ordering a replacement part with part number 555-555C and the part you need is red, then add the suffix 83 to the end of the number to make the part number read 555-555C83. Parts ordered without a suffix number will be supplied in factory standard colors.

Black Replacement Parts

Some parts are factory standard black and some must be special ordered black. If your part is special ordered black, a second part number with the additional suffix number 85 on the end will be available. In this situation you must order that part with the suffix number for it to be black. Parts that are factory standard black will not have the suffix number.

Part Number Service Coding

Within the parts list some part numbers are coded for revisions and interchangeability. See notations in revision column.

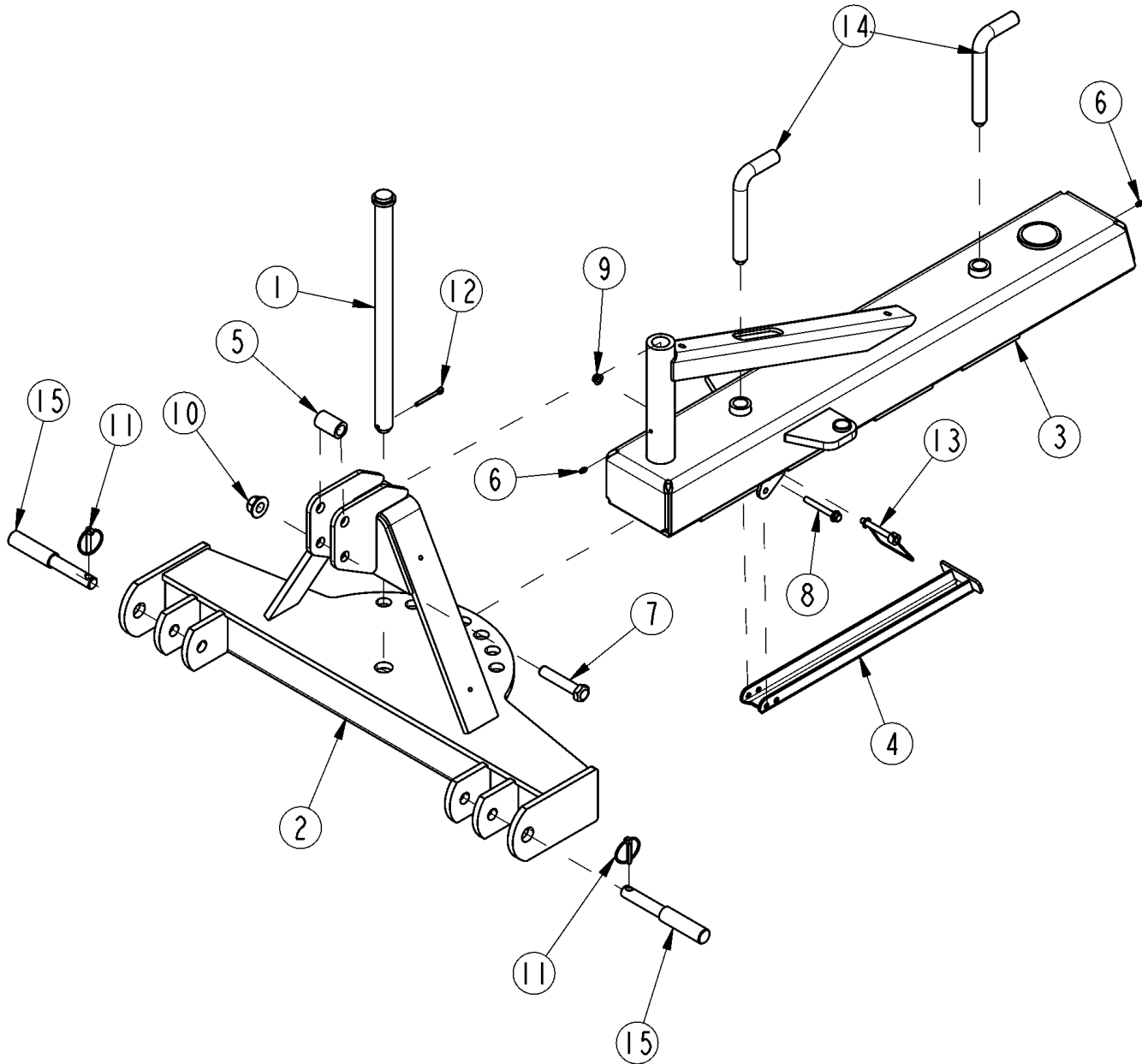
Serial Numbers

Always use the serial and model number when ordering parts. Refer to the Operator's Manual for serial number plate location.

- (S/N 20001+) Includes serial numbers 20001 and above (to the latest number)
- (S/N 10001 to 20000) Includes serial numbers between and including 10001 and 20000
- (S/N 10000-) Includes serial numbers 10000 and below (to the earliest number)

Frame & Hitch

Applies to RB3772, RB3784, RB3796



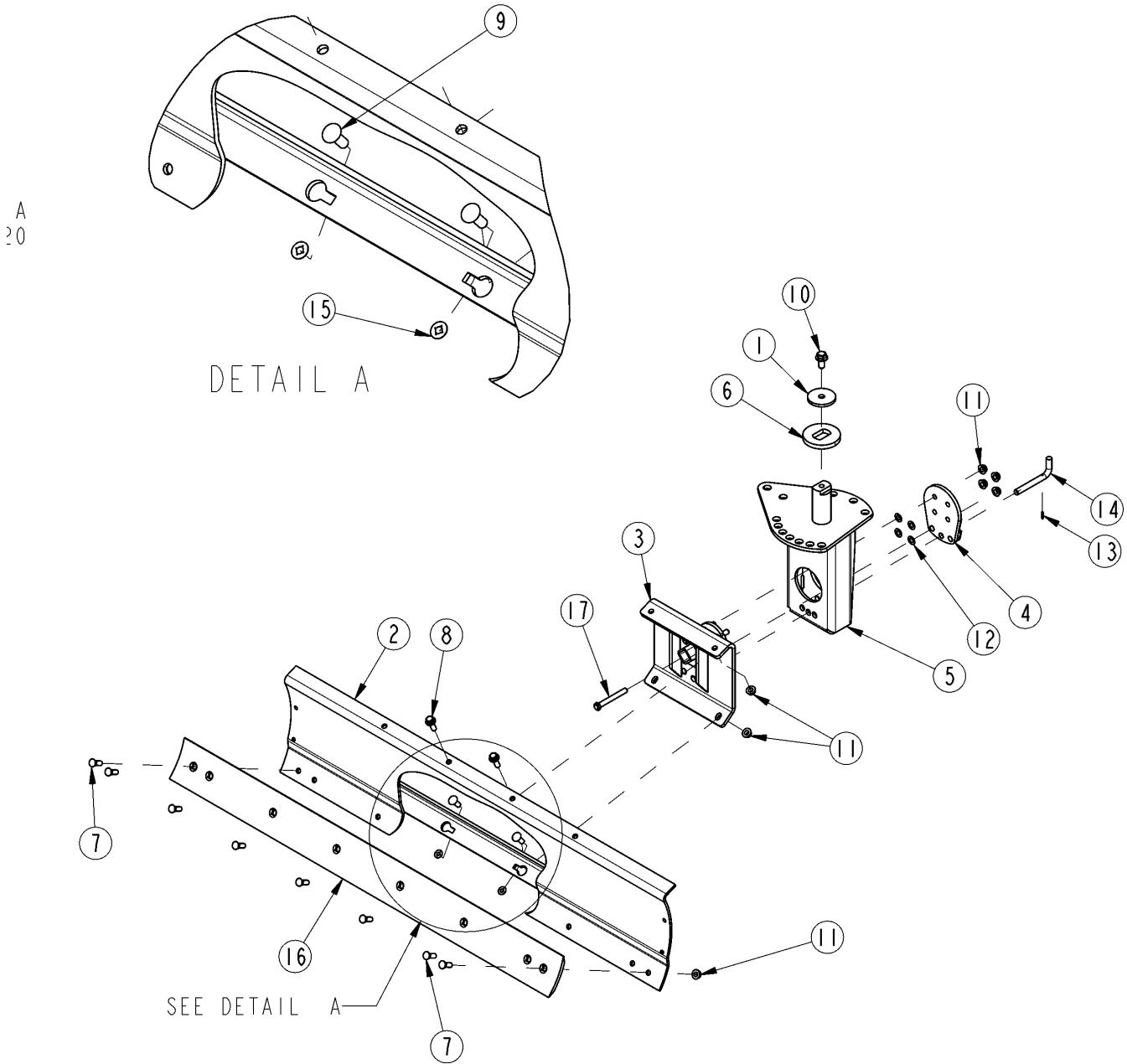
35464

Frame & Hitch**Applies to RB3772, RB3784, RB3796**

Ref	Part No.	Part Description	Comments	Revision
	dwg35464	Drawing Image Number		
1.	300-213H	FRONT PIVOT SHAFT WELDMENT		
2.	300-246H	WLDMNT, RB36 HITCH		
2.	300-246H81	WLDMNT, RB36 GREEN HITCH		
2.	300-246H82	WLDMNT, RB36 ORANGE HITCH		
3.	300-265H	WLDMNT, RB37 SERIES MAIN FRAME		
3.	300-265H81	WLDMNT, RB37 GREEN MAIN FRAME		
3.	300-265H82	WLDMNT, RB37 ORANGE MAIN FRAME		
4.	300-504D	STAND, RB26/36 SUPPORT		
5.	308-400D	SPACER 1 1/4OD X 13/16ID X 2LG		
6.	800-080C	GREASE ZERK 1/4-28 THD FORMING		
7.	802-204C	HHCS 3/4-10X3 3/4 GR5		
8.	802-934C	HFS 3/8-16X3 GR5 ZNYCR		
9.	803-209C	NUT FLANGE LOCK 3/8-16 PLT		
10.	803-299C	NUT HEX FLG TOP LK 3/4-10 PLT		
11.	805-015C	PIN LINCH 5/16 X 1 3/4		
12.	805-021C	PIN COTTER 1/4 X 2 PLT		
13.	805-212C	PIN WIRE SNAP LOCK 3/8 X 2 1/2		
14.	805-213C	PIN BENT 1.0X7.0		
15.	805-433C	PIN HTCH C1-C2 8.0 L		

Blade Components

Applies to RB3772, RB3784, RB3796



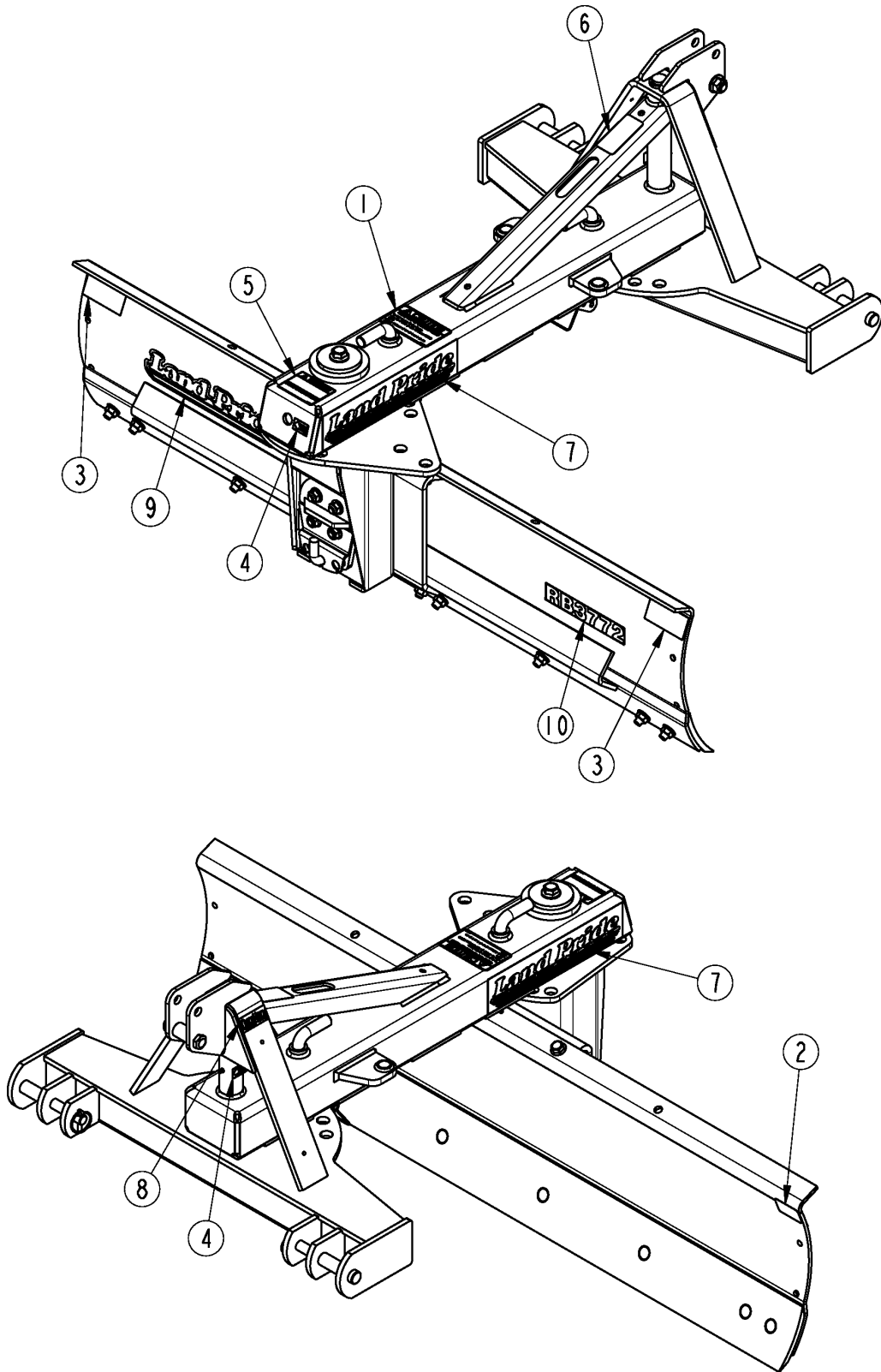
35465

Blade Components**Applies to RB3772, RB3784, RB3796**

Ref	Part No.	Part Description	Comments	Revision
	Dwg 35465	Drawing Image Number		
1.	301-240D	40 PIVOT CAP	S/N 911765+	
1.	301-303D	RETAINER CAP	S/N 911764-	
2.	301-383H	WLDMNT, 72" 36 SERIES MLDBRD		
2.	301-384H	WLDMNT, 84" 36 SERIES MLDBRD		
2.	301-385H	WLDMNT, 96" 36 SERIES MLDBRD		
3.	301-415H	WLDMNT, RB36 MOLDBOARD MOUNT		
4.	301-420H	WLDMNT, RB36 PIVOT CAP		
5.	301-458H	WLDMNT, RB37 MOLDBOARD CARRIER		
6.	301-478D	PLATE, RB36 DRIVE PIVOT CAP		
7.	802-206C	PLOW 5/8-11X1 3/4 GR5		
8.	802-657C	HFS 5/8-11 X 1 3/4 GR8		
9.	802-584C	RHSNB 5/8-11X1 3/4 GR5 PLT		
10.	802-897C	HFS 3/4-10X1 1/2 GR 5 PLT		
11.	803-304C	NUT HEX WHIZ 5/8-11 PLT	S/N 815206+	
11.	803-263C	NUT HEX FLANGE LOCK 5/8-11 PLT	S/N 815205-	
12.	804-040C	WASHER MACH 1.19 X .63 X 18GA	As Required	
13.	805-022C	PIN ROLL 3/16 X 1 PLT		
14.	805-461C	PIN BENT .75X4.90 USBL		
15.	817-953C	WASHER, 5/8" BOLT RETAINER		
16.	820-043C	GRADER BLADE 1/2 X 6 X 71 1/2		
16.	820-046C	GRADER BLADE 1/2 X 6 X 83 1/2		
16.	820-035C	GRADER BLADE 1/2 X 6 X 95 1/2		
17.	842-196C	HHCS 5/8-11X5 1/4 GR5	Service Part Grinding & Welding Required	

Decal Placement

Applies to RB3772, RB3784, RB3796



35466

Decal Placement**Applies to RB3772, RB3784, RB3796**

Ref	Part No.	Part Description	Comments	Revision
	dwg35466	Drawing Image Number		
1.	818-202C	DECAL CAUTION FALL MBOARD/RAKE		
2.	818-229C	DECAL AMBER REFLECTOR	S/N 821693-	
3.	858-095C	DECAL REFLECTOR RED 2X4.5	RB3772 S/N 821694+	
3.	838-614C	DECAL REFLECTOR RED 2X9	RB3784 & 96 S/N 821694+	
3.	818-230C	DECAL RED REFLECTOR	S/N 821693-	
4.	818-298C	DECAL GREASE 25HRS BLACK/WHITE		
5.	818-487C	DECAL DANGER CRUSHING/PINCHING		
6.	818-798C	DECAL WARNING PINCH POINT GEN		
7.	818-901C	RPBY 838-965C	Beige Unit	
7.	838-965C	DECAL LANDPRIDE 16" BROWN/GOLD	Green & Orange Unit	
8.	838-517C	DECAL QUICK HITCH SYSTEM		
9.	838-965C	DECAL LANDPRIDE 16" BROWN/GOLD		
10.	858-067C	DECAL, RB3772 BEIGE		
10.	858-068C	DECAL, RB3784 BEIGE		
10.	858-069C	DECAL, RB3796 BEIGE		

Land Pride Touch-up Paints

Applies to RB3772, RB3784, RB3796

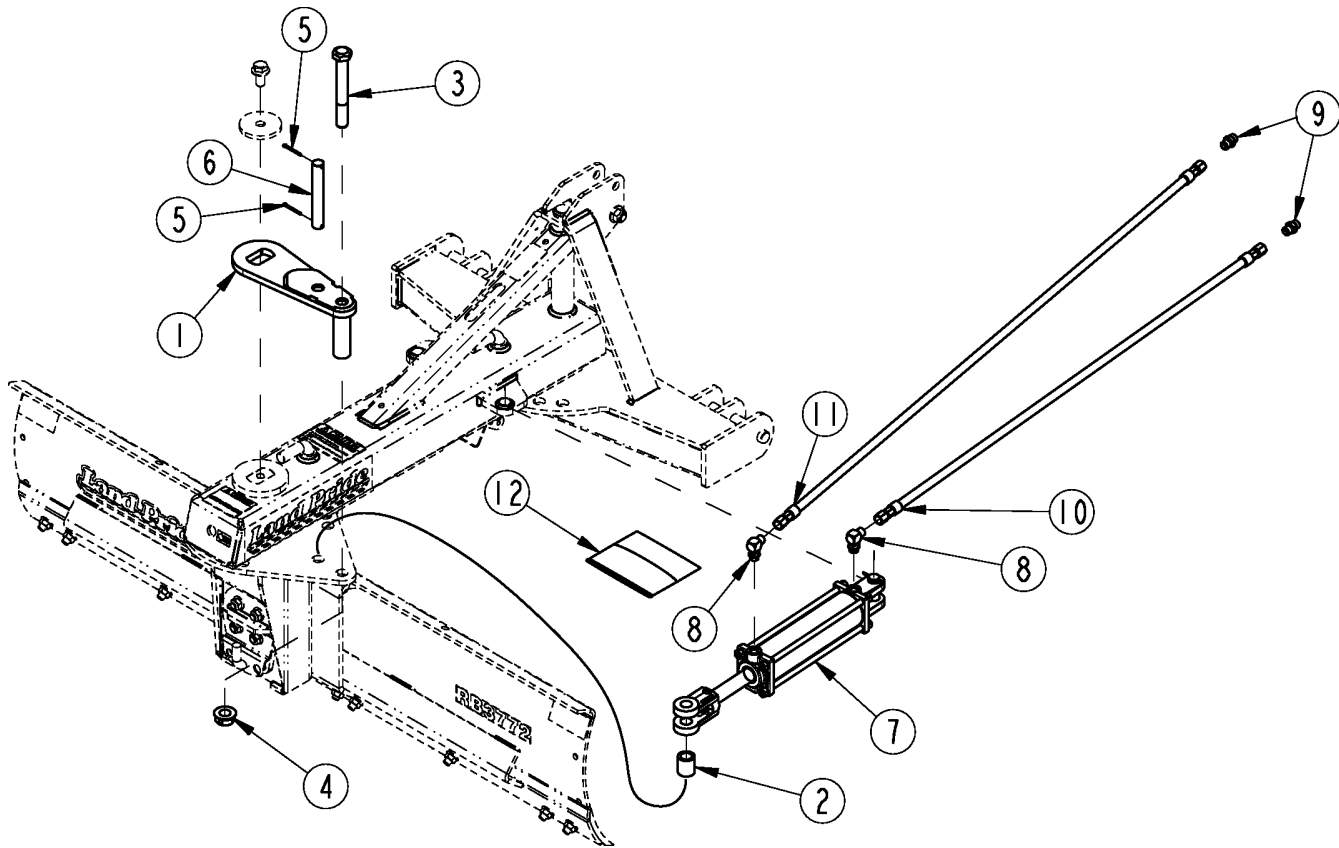
No diagram associated with this Parts List

Land Pride Touch-up Paints**Applies to RB3772, RB3784, RB3796**

Ref	Part No.	Part Description	Comments	Revision
1.	821-011C	LP BEIGE SPRAY CAN	Spray can	
1.	821-070C	GLOSS BLACK SPRAY CAN	Spray can	
1.	821-054C	MED. RED SPRAY TRCK/CTR	Spray can	
1.	821-058C	GREEN SPRAY CUTTERS	Spray can	
1.	821-066C	ORANGE SPRAY CAN	Spray can	
1.	821-067C	BLUE SPRAY CAN	Spray can	
1.	821-080C	PAINT ALUMINUM/ZINC SPRAY CAN	Spray can	
2.	821-011CTU	LP BEIGE TOUCH-UP 5OZ	Touch-up bottle with brush	
2.	821-070CTU	GLOSS BLACK TOUCH-UP 5OZ	Touch-up bottle with brush	
2.	821-054CTU	MED RED TOUCH-UP 5OZ	Touch-up bottle with brush	
2.	821-058CTU	GREEN TOUCH-UP 5OZ	Touch-up bottle with brush	
2.	821-066CTU	ORANGE TOUCH-UP 5OZ	Touch-up bottle with brush	
2.	821-067CTU	BLUE TOUCH-UP 5OZ	Touch-up bottle with brush	
2.	821-080CTU	PAINT ALUMINUM/ZINC TOUCH UP	Touch-up bottle with brush	
3.	821-011CQT	LP BEIGE QUART	Quart can	
3.	821-070CQT	GLOSS BLACK QUART	Quart can	
3.	821-054CQT	MED RED QUART	Quart can	
3.	821-058CQT	GREEN QUART	Quart can	
3.	821-066CQT	ORANGE QUART	Quart can	
3.	821-067CQT	BLUE QUART	Quart can	
3.	821-080CQT	PAINT ALUMINUM/ZINC QUART	Quart can	
4.	821-011CGL	LP BEIGE GALLON	Gallon can	
4.	821-070CGL	GLOSS BLACK GALLON	Gallon can	
4.	821-054CGL	MED RED GALLON	Gallon can	
4.	821-058CGL	GREEN GALLON	Gallon can	
4.	821-066CGL	ORANGE GALLON	Gallon can	
4.	821-067CGL	BLUE GALLON	Gallon can	
4.	821-080CGL	PAINT ALUMINUM/ZINC GALLON	Gallon can	

Hydraulic Angle Option

Applies to RB3772, RB3784, RB3796



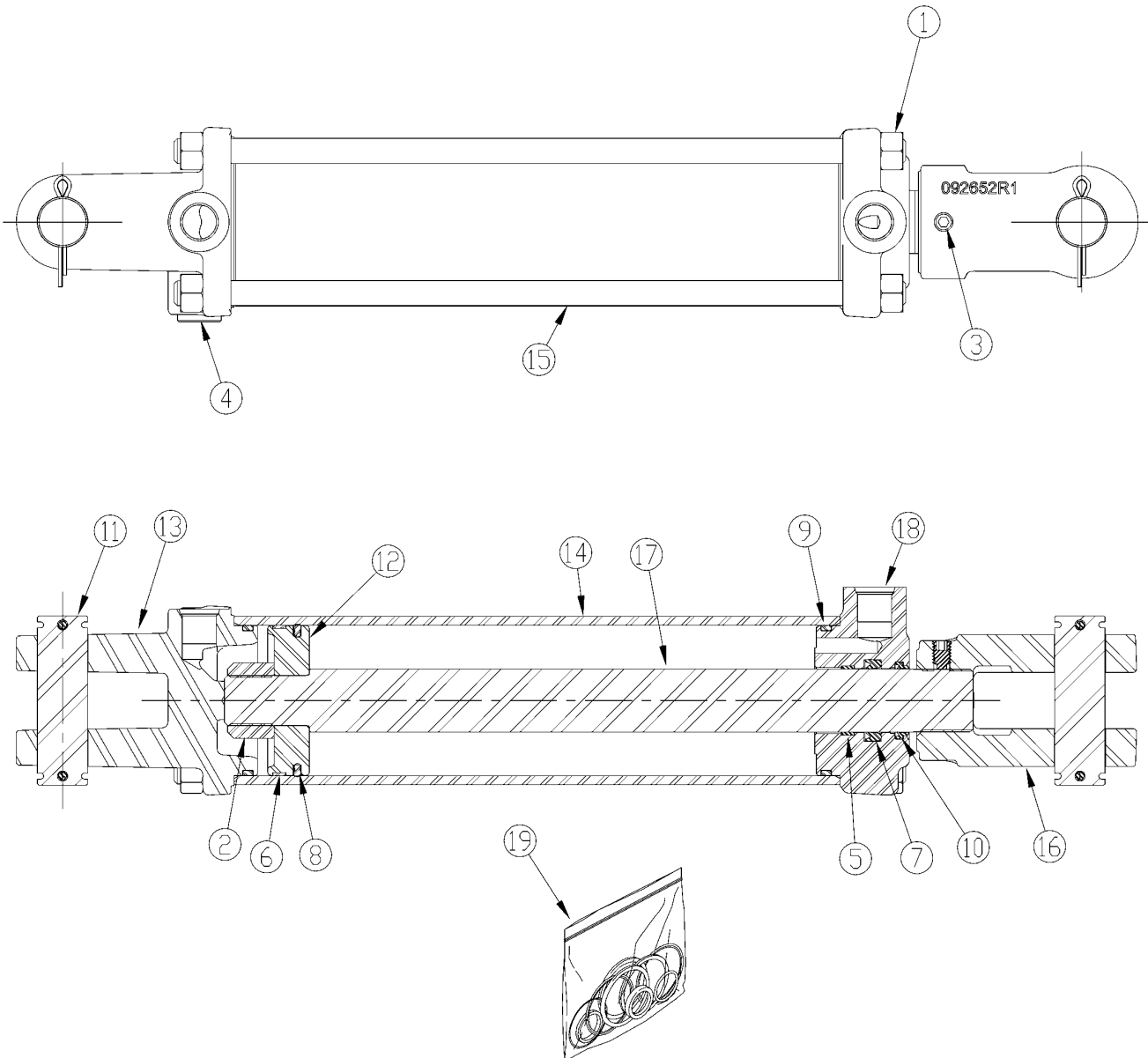
35414

Hydraulic Angle Option**Applies to RB3772, RB3784, RB3796**

Ref	Part No.	Part Description	Comments	Revision
	Dwg 35414 301-404A	Drawing Image Number KIT, RB37 HYDRAULIC ANGLE *		
1.	301-429H	WLDMNT, RB37 HYD ANG PLATE		
2.	301-519D	TUBE, 37 HYD ANGL CYL SPACER		
3.	802-144C	HHCS 1-8X7 1/2 GR5		
4.	803-258C	NUT HEX FLG LOCK 1-8 GR B PLT		
5.	805-246C	PIN COTTER 5/32 X 1 3/4 LG		
6.	805-491C	PIN CLVS HDLSS 1.00X6.23 USBL		
7.	810-747C	CYL 3X10X1.25 ROD (TIE)		
8.	811-063C	EL 3/4MJIC 3/4MORB		
9.	811-088C	AD 3/4MORB 3/4MJIC		
10.	811-985C	HH3/8R2 078 3/4FJIC	S/N 821596+	
10.	841-590C	HH3/8R2 054 3/4FJIC E-Z FLEX	S/N 821595- Replace W/ 811-985C If Required	
11.	841-006C	HH3/8R2 087 3/4FJIC	S/N 821596+	
11.	841-591C	HH3/8R2 067 3/4FJIC E-Z FLEX	S/N 821595- Replace W/ 841-006C If Required	
12.	649206	MON SEAL KIT KR30WR-125 TSS		

Hydraulic Cylinder (810-747C)

Applies to RB3772, RB3784, RB3796



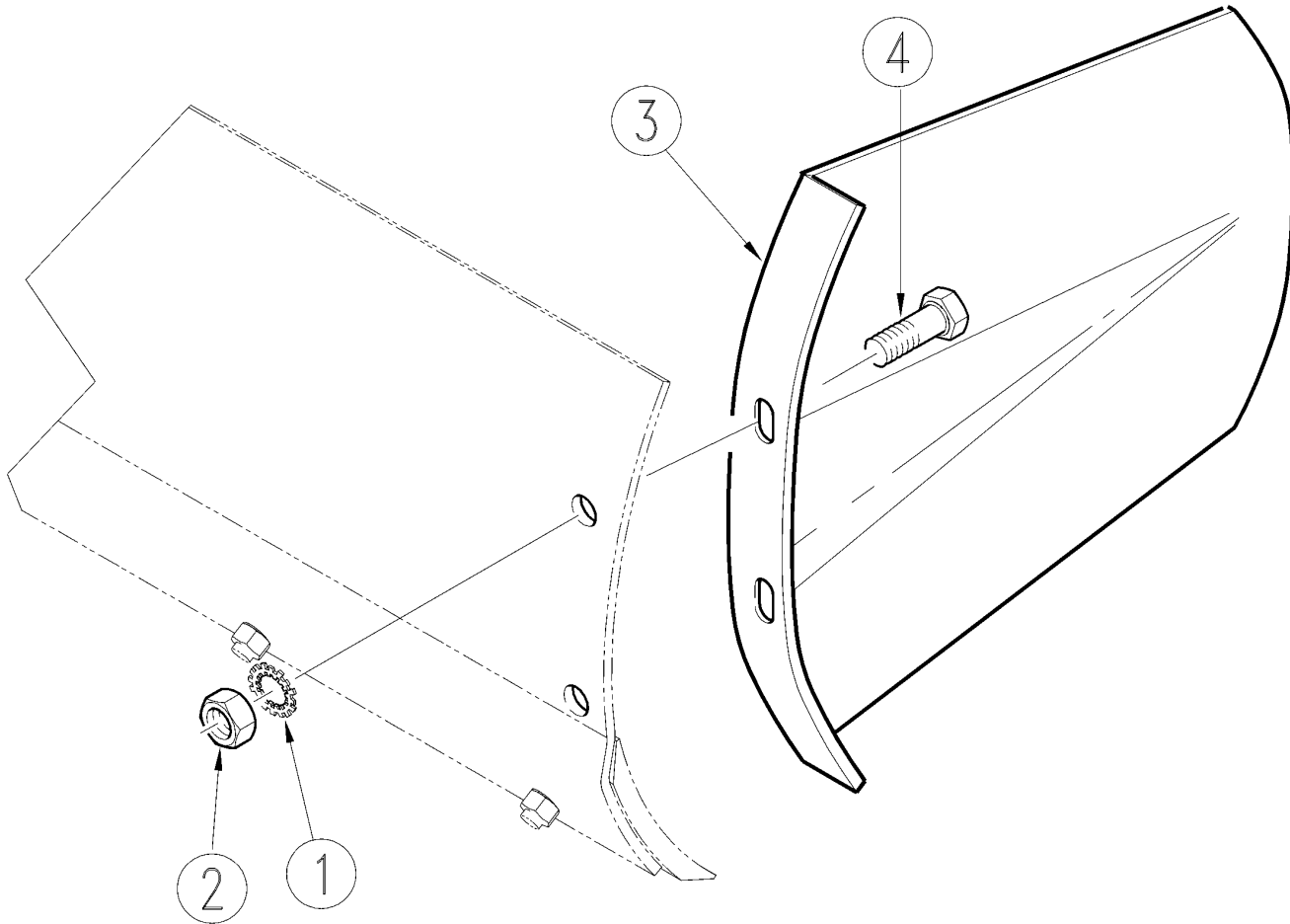
35415

Hydraulic Cylinder (810-747C)**Applies to RB3772, RB3784, RB3796**

Ref	Part No.	Part Description	Comments	Revision
	Dwg 35415 810-747C	Drawing Image Number CYL 3X10X1.25 ROD (TIE) *		
1.	803-020C	NUT HEX 1/2-13 PLT		
2.	130560	MON PISTON NUT		
3.	148000	MON SET SCREW 3/8INC ONE PIECE		
4.	186562	LION PLUG 3/4-16UNF SOCKET HD		
5.	190131	MON WEAR RING 1.37-1.25-0.250	In Seal Kit Item #19	
6.	190186	MON WEAR RING 3.00-2.88-0.260	In Seal Kit Item #19	
7.	194016	MON SEAL ZURCON U-CUP RU9 1.25	In Seal Kit Item #19	
8.	197064	MON SEAL ZURCON WYNSEAL 3.00	In Seal Kit Item #19	
9.	199139	MON SEAL DUAL 3.00	In Seal Kit Item #19	
10.	199157	MON SEAL WIPER 1.25 WNUC TSS	In Seal Kit Item #19	
11.	235005	MON PIN KIT 1.00C/W COTTER PIN		
12.	258821	MON PISTON 3.00-1.0-TSS-ISO-WR		
13.	292675	MON CLEVIS CAP		
14.	491740	MON TUBE CYL 3.00-10.00		
15.	492280	MON TIE ROD 1/2-10.00		
16.	492652	LION ROD CLEVIS 1 1/4 (1PIN)		
17.	492869	MON RODCYL 1.25-10-1.00-1.25TL		
18.	494277	MON ROD CAP3.0-1.25-3/4ORB-TSS		
19.	649206	MON SEAL KIT KR30WR-125 TSS		

Side Plates

Applies to RB3772, RB3784, RB3796



13540

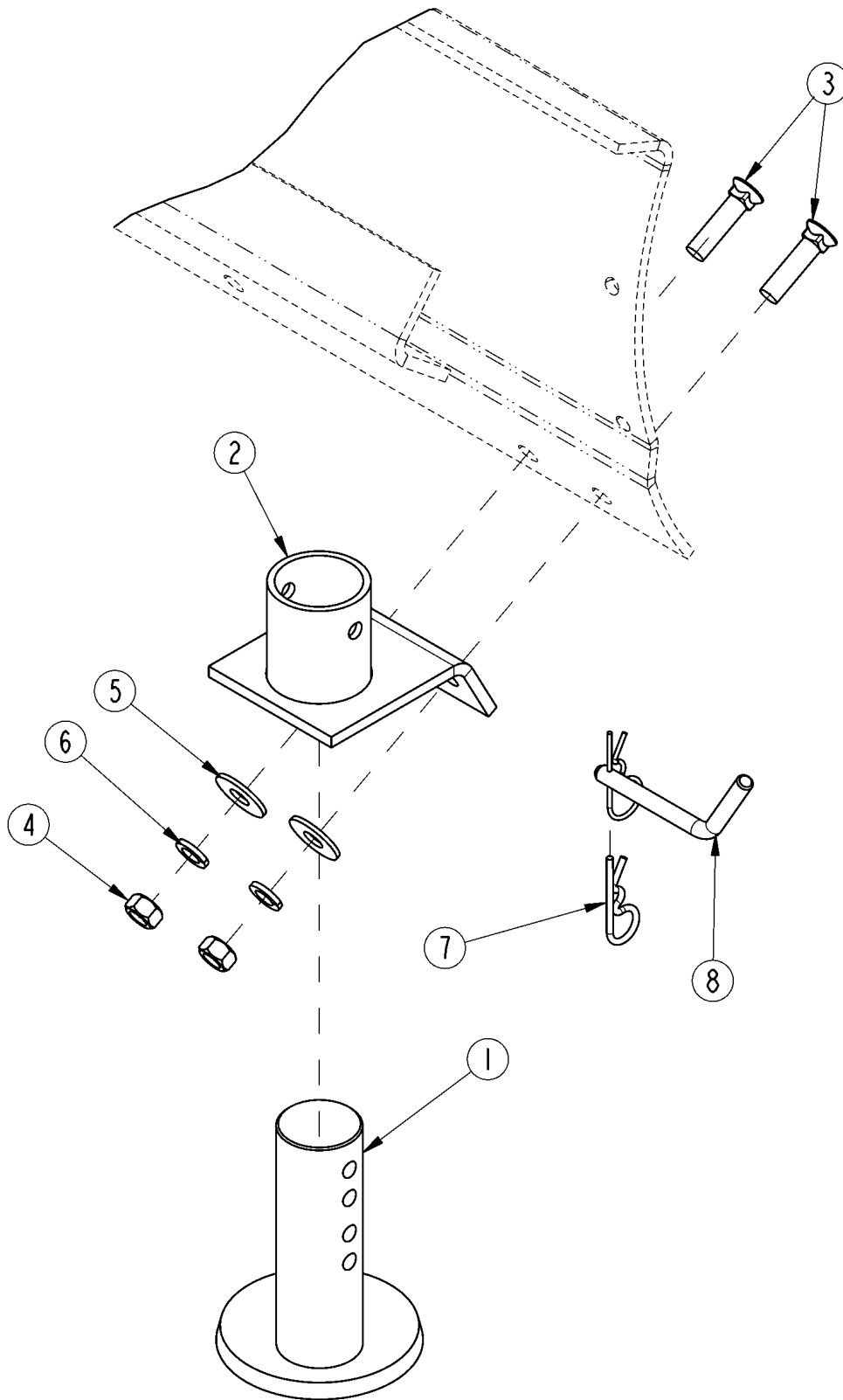
Side Plates

Applies to RB3772, RB3784, RB3796

Ref	Part No.	Part Description	Comments	Revision
	dwg13540	Drawing Image Number		
	301-010A	SIDE PLATE - PAIR		
1.	804-065C	WASHER INT-EXT 1/2 PLT		
2.	803-020C	NUT HEX 1/2-13 PLT		
3.	301-011H	SIDE PLATE WELDMENT		
4.	802-091C	HHCS 1/2-13X1 1/2 GR5		

Skid Shoe

Applies to RB3772, RB3784, RB3796



35076

Skid Shoe**Applies to RB3772, RB3784, RB3796**

Ref	Part No.	Part Description	Comments	Revision
	dwg35076	Drawing Image Number		
	301-333A	T35/40 SKID SHOES	Includes 2 skid shoe assemblies (1 Ass'y shown)	
		*		
1.	301-203H	SKID SHOE WELDMENT		
2.	301-334H	T35/40 SKID SHOE MNT WELDMENT		
3.	802-211C	PLOW 5/8-11X2 1/2 GR5		
4.	803-021C	NUT HEX 5/8-11 PLT		
5.	804-019C	WASHER FLAT 5/8 USS PLT		
6.	804-022C	WASHER LOCK SPRING 5/8 PLT		
7.	805-088C	PIN, HAIR COTTER 3/16 WIRE DIA		
8.	805-293C	PIN BENT 1/2 X 3 1/2 W/HAIRPIN		



Part Number Index

The Part Number Index is a numeric index of all part numbers included in this manual. The index shows what page(s) the part is used on.

<u>Part Number</u>	<u>Page</u>	<u>Part Number</u>	<u>Page</u>
130560	17	805-213C	7
148000	17	805-246C	15
186562	17	805-293C	21
190131	17	805-433C	7
190186	17	805-461C	9
194016	17	805-491C	15
197064	17	810-747C	15, 17
199139	17	811-063C	15
199157	17	811-088C	15
235005	17	811-985C	15
258821	17	817-953C	9
292675	17	818-202C	11
300-213H	7	818-229C	11
300-246H	7	818-230C	11
300-246H81	7	818-298C	11
300-246H82	7	818-487C	11
300-265H	7	818-798C	11
300-265H81	7	818-901C	11
300-265H82	7	820-035C	9
300-504D	7	820-043C	9
301-010A	19	820-046C	9
301-011H	19	821-011C	13
301-203H	21	821-011CGL	13
301-240D	9	821-011CQT	13
301-303D	9	821-011CTU	13
301-333A	21	821-054C	13
301-334H	21	821-054CGL	13
301-383H	9	821-054CQT	13
301-384H	9	821-054CTU	13
301-385H	9	821-058C	13
301-404A	15	821-058CGL	13
301-415H	9	821-058CQT	13
301-420H	9	821-058CTU	13
301-429H	15	821-066C	13
301-458H	9	821-066CGL	13
301-478D	9	821-066CQT	13
301-519D	15	821-066CTU	13
308-400D	7	821-067C	13
491740	17	821-067CGL	13
492280	17	821-067CQT	13
492652	17	821-067CTU	13
492869	17	821-070C	13
494277	17	821-070CGL	13
649206	15, 17	821-070CQT	13
800-080C	7	821-070CTU	13
802-091C	19	821-080C	13
802-144C	15	821-080CGL	13
802-204C	7	821-080CQT	13
802-206C	9	821-080CTU	13
802-211C	21	838-517C	11
802-584C	9	838-614C	11
802-657C	9	838-965C	11
802-897C	9	841-006C	15
802-934C	7	841-590C	15
803-020C	17, 19	841-591C	15
803-021C	21	842-196C	9
803-209C	7	858-067C	11
803-258C	15	858-068C	11
803-263C	9	858-069C	11
803-299C	7	858-095C	11
803-304C	9	Dwg 35414	15
804-019C	21	Dwg 35415	17
804-022C	21	Dwg 35465	9
804-040C	9	dwg13540	19
804-065C	19	dwg35076	21
805-015C	7	dwg35464	7
805-021C	7	dwg35466	11
805-022C	9		
805-088C	21		
805-212C	7		

This Page Intentionally Left Blank



Great Plains Manufacturing, Inc.

Corporate Office: P.O. Box 5060
Salina, Kansas 67402-5060 USA

www.landpride.com
