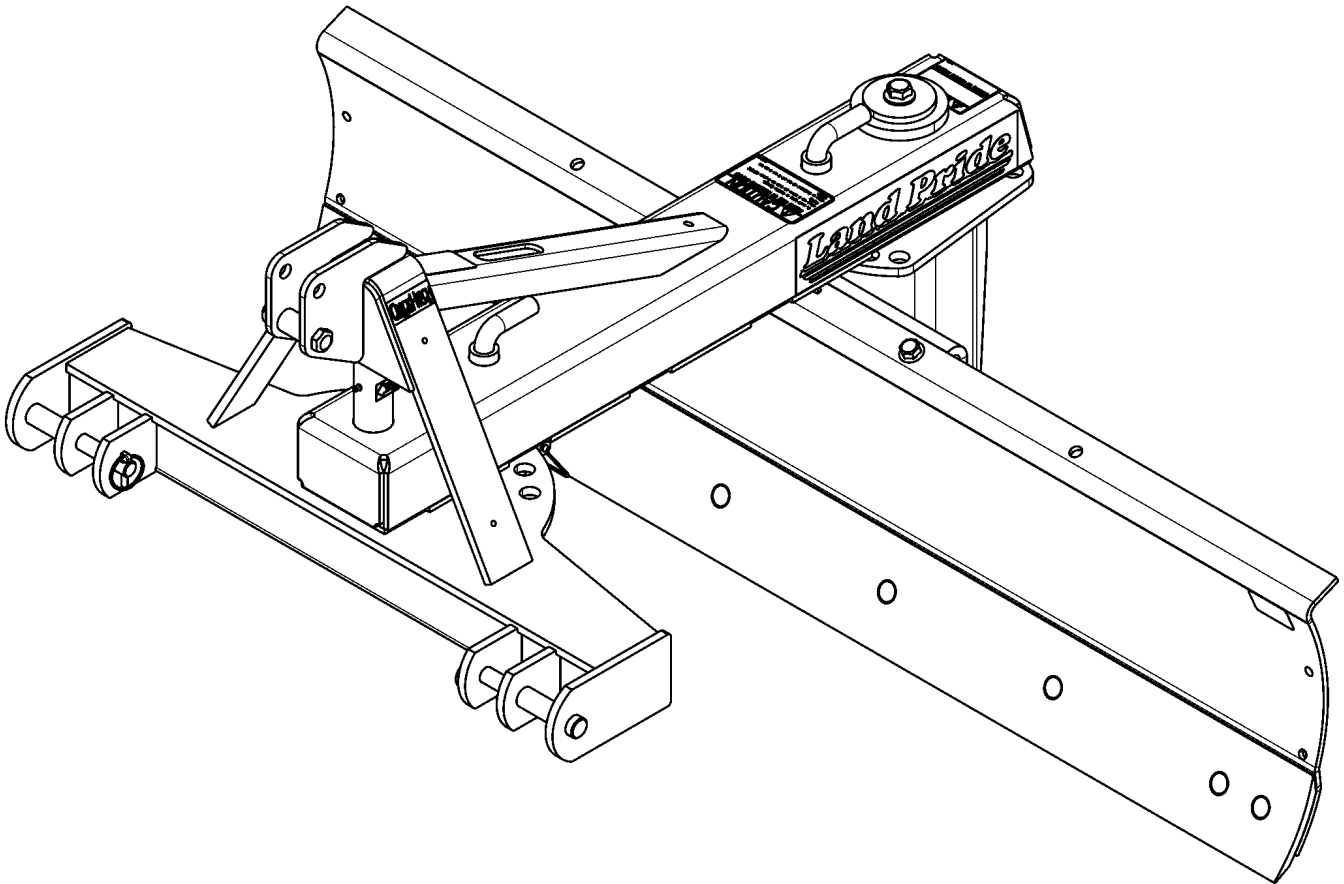


Rear Blades

RB3672, RB3684 & RB3696



33389

301-388P
Parts Manual



Read the Operator's manual entirely. When you see this symbol, the subsequent instructions and warnings are serious - follow without exception. Your life and the lives of others depend on it!

© Copyright 2013 Printed 04/18/13

Cover photo may show optional equipment not supplied with standard unit.





Table of Contents

Section 1: Introduction.....	4
Using This Manual.....	4
Manual Replacement Information.....	4
Manual Revisions.....	4
Touch-up Paint.....	4
Hardware Legend.....	5
Replacement Hardware.....	5
Serial Numbers.....	5
Part Number Service Coding.....	5
Section 2: Frame.....	6
Frame & Hitch.....	6
Section 3: Blade.....	8
Blade Components.....	8
Section 4: Labels.....	10
Label Placement.....	10
Section 5: Options & Accessories.....	12
Side Plates.....	12
Skid Shoe.....	14
Part Number Index.....	16

© Copyright 2013. All rights reserved.

Land Pride provides this publication “as is” without warranty of any kind, either expressed or implied. While every precaution has been taken in the preparation of this manual, Land Pride assumes no responsibility for errors or omissions. Neither is any liability assumed for damages resulting from the use of the information contained herein. Land Pride reserves the right to revise and improve its products as it sees fit. This publication describes the state of this product at the time of its publication, and may not reflect the product in the future. The illustrations in this manual are not intended for safe and proper assembly or disassembly of equipment. The illustrations are intended for ordering parts only.

Land Pride is registered trademark.

All other brands and product names are trademarks or registered trademarks of their respective holders.

Printed in the United States of America.



Alphabetized Table of Contents

B	
Blade Components.....	8
F	
Frame & Hitch.....	6
L	
Label Placement.....	10
S	
Side Plates.....	12
Skid Shoe.....	14

General Information

Using This Manual

This manual is divided into sections. The first section contains General Information. The remaining sections divide the machine into segments (i.e. Frames, Drives, Hydraulics, etc.) which illustrate and list all parts. A Parts Number Index is located at the back of the book.

The Land Pride parts in this manual are specially designed for this machine and should be replaced with Land Pride parts only.

The information in this manual is current at time of printing. Some parts may change to assure top performance.

Right-hand and left-hand as used in this manual are determined by facing the direction the machine will travel while in use.

Below is an example of two facing pages from a parts manual. Familiarize yourself with the type of information contained on these pages.

Manual Replacement Information

Replacement manuals are available. Refer to our website at www.landpride.com or e-mail us at lit@landpride.com for additional information. Our website continues to provide the most up-to-date manuals available.

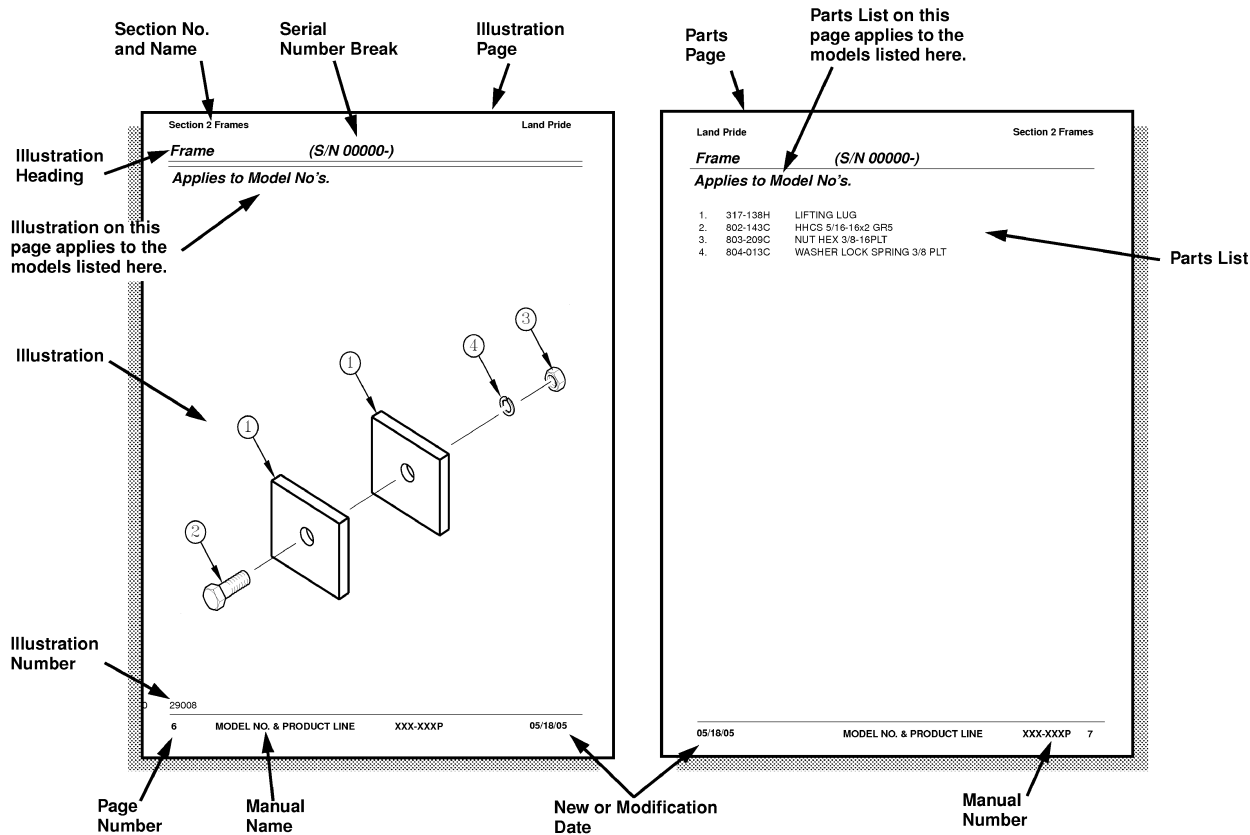
Touch-up Paint

Repaint parts where paint is worn or scratched to prevent rust. Aerosol cans and touch-up bottles with brush applicator are available through your local dealer. Land Pride color descriptions and part numbers are listed below. Also available are quart and gallon size paints. Add QT or GL to end of the Aerosol P/N.

Color	Product*	Aerosol	Touch-Up
Gloss Black	LP	821-032C	821-032CTU
Beige	LP	821-011C	821-011CTU
Green	SLP	821-058C	821-058CTU
Orange	SLP	821-066C	821-066CTU
Red	SLP	821-054C	821-054CTU
Blue	SLP	821-067C	821-067CTU

Notes:

- * LP = All Land Pride Products
- SLP = Select Land Pride Products that are available in optional Green, Orange and Red.



General Information

Hardware Legend

AR	As Required
BLADE	Blade Bolt
C	Cap Screw
CP	Cotter Pin
CPHSSS	Cup Point Hex Socket Set Screw
CPSHSS	Cup Point Square Head Set Screw
CPSQHSS	Cup Point Square Head Set Screw
CRFCHMS3	Cross Recess Flat Countersunk Head Machine Screw
CRPHMS	Cross Recess Pan Head Machine Screw
CRPHTFS	Cross Recess Pan Head Thread Forming
CRRHMS	Cross Recess Round Head Machine Screw
CRTHMS	Cross Recess Truss Head Machine Screw
CSNB	Countersunk Square Neck Bolt
FHMS	Flat Head Machine Screw
FTC	Full Thread Cap Screw
H	Hex Nut
HCLN	Hex Center Lock Nut
HFLCS	Hex Flange Lock Cap Screw
HFS	Hex Flange Screw
HFSLN	Hex Flange Serrated Lock Nut
HFSS	Hex Flange Serrated Screw
HHCS	Hex Head Cap Screw or Metric Bolt
HSBHCS	Hex Socket Button Head Cap Screw
HSFCHCS	Hex Socket Flat Countersunk Head Cap Screw
HSHCS	Hex Socket Head Cap Screw
HSSS	Hex Socket Head Screw
HTLN	Hex Top Lock Nut
HWHCS	Hex Washer Head Cap Screw

HWHMS	Hex Washer Head Machine Screw
HXBHCS	Hex Socket Button Head Cap Screw
J	Hex Jam Nut
JIC	37 Degree Tapered Thread
L	Helical Spring Lock Washer
LUG	Lug Bolt
NFC	National Fine Cap Screw
NPSM	National Pipe Straight Mechanical
NPTF	National Pipe Taper Fuel
P	Wide Plain Washer
PHMS	Pan Head Machine Screw
PLOW	Plow Bolt
RHMS	Round Head Machine Screw
RHSNB	Round Head Square Neck Bolt
SCREW LEVELING	Leveling Screw
SCREW THUMB	Thumb Screw
SCREW WELD	Weld Screw
SFCHMS	Slotted Flat Countersunk Head Machine Screw
SFHMS	Slotted Fillister Head Machine Screw
SP	Special
SP SCREW	Special Screw
SQHSS	Square Head Set Screw
SRHMS	Slotted Round Head Machine Screw
SSS	Socket Set Screw
STCS	Self Tapping Cap Screw
STHMS	Slotted Truss Head Machine Screw
WHEEL	Wheel Studs and Hub Long Bolts
WING	Wing Bolt

Replacement Hardware

The **Hardware Legend** above lists hardware abbreviations used in the parts list. All bolts and nuts are Grade 5 unless otherwise noted. The use of improper grades of hardware can result in personal injury, damage to equipment, or loss of property.

Colored Replacement Parts

Land Pride offers replacement parts in factory standard colors and also on select models in Green, Orange, Red and Blue. Because of the variety of colors available, special attention must be given to the part number to prevent ordering the wrong replacement part.

A suffix number corresponding to one of the colors below must be added at the end of Land Pride's part number when ordering a replacement part with that color.

81 **Green** **83** **Red**
82 **Orange** **84** **Blue**

For example, if you are ordering a replacement part with part number 555-555C and the part you need is red, then add the suffix 83 to the end of the number to make the part number read 555-555C83. Parts ordered without a suffix number will be supplied in factory standard colors.

Black Replacement Parts

Some parts are factory standard black and some must be special ordered black. If your part is special ordered black, a second part number with the additional suffix number 85 on the end will be available. In this situation you must order that part with the suffix number for it to be black. Parts that are factory standard black will not have the suffix number.

Part Number Service Coding

Within the parts list some part numbers are coded for revisions and interchangeability. See notations in revision column.

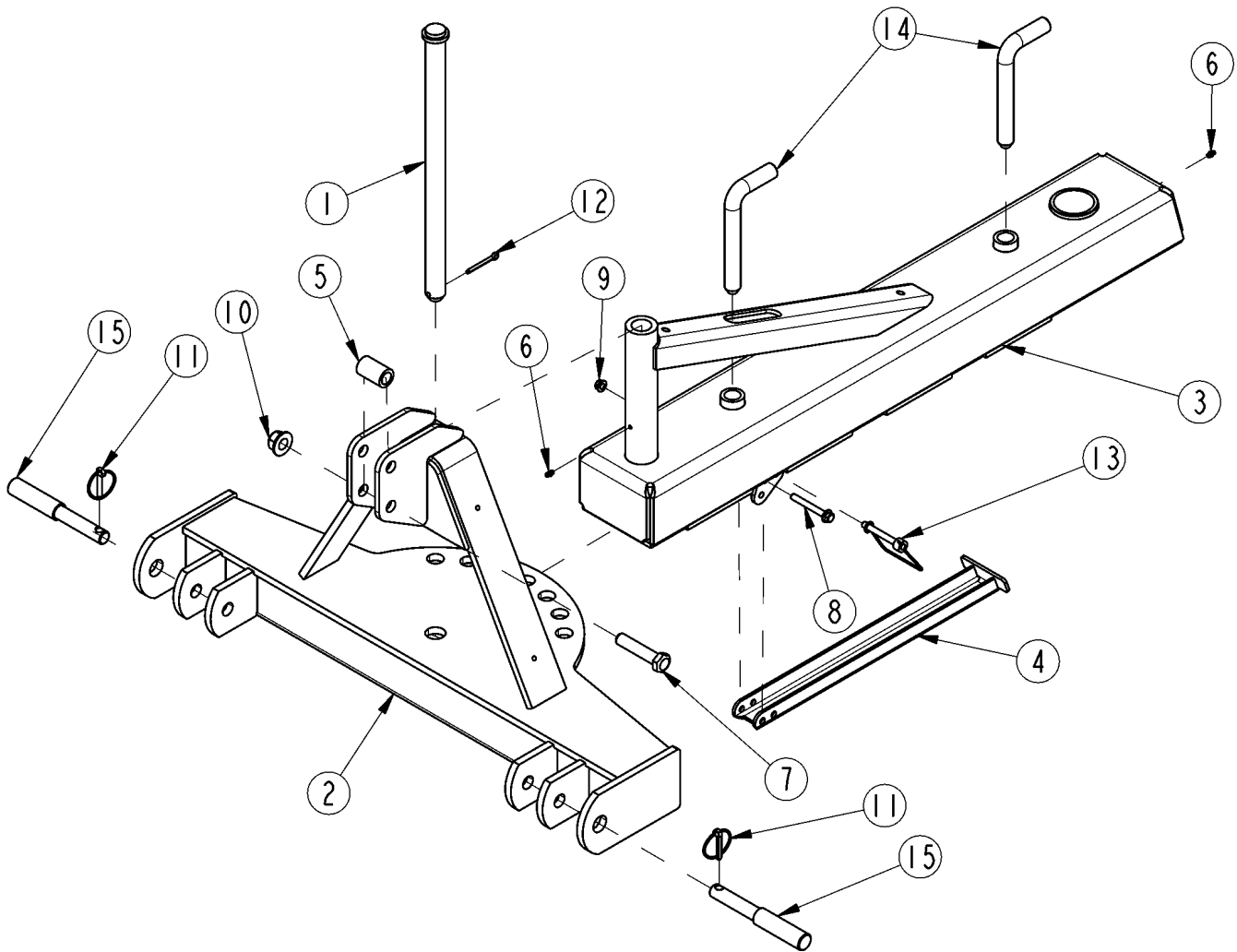
Serial Numbers

Always use the serial and model number when ordering parts. Refer to the Operator's Manual for serial number plate location.

- | | |
|----------------------|--|
| (S/N 20001+) | Includes serial numbers 20001 and above (to the latest number) |
| (S/N 10001 to 20000) | Includes serial numbers between and including 10001 and 20000 |
| (S/N 10000-) | Includes serial numbers 10000 and below (to the earliest number) |

Frame & Hitch

Applies to RB3672, RB3684, RB3696



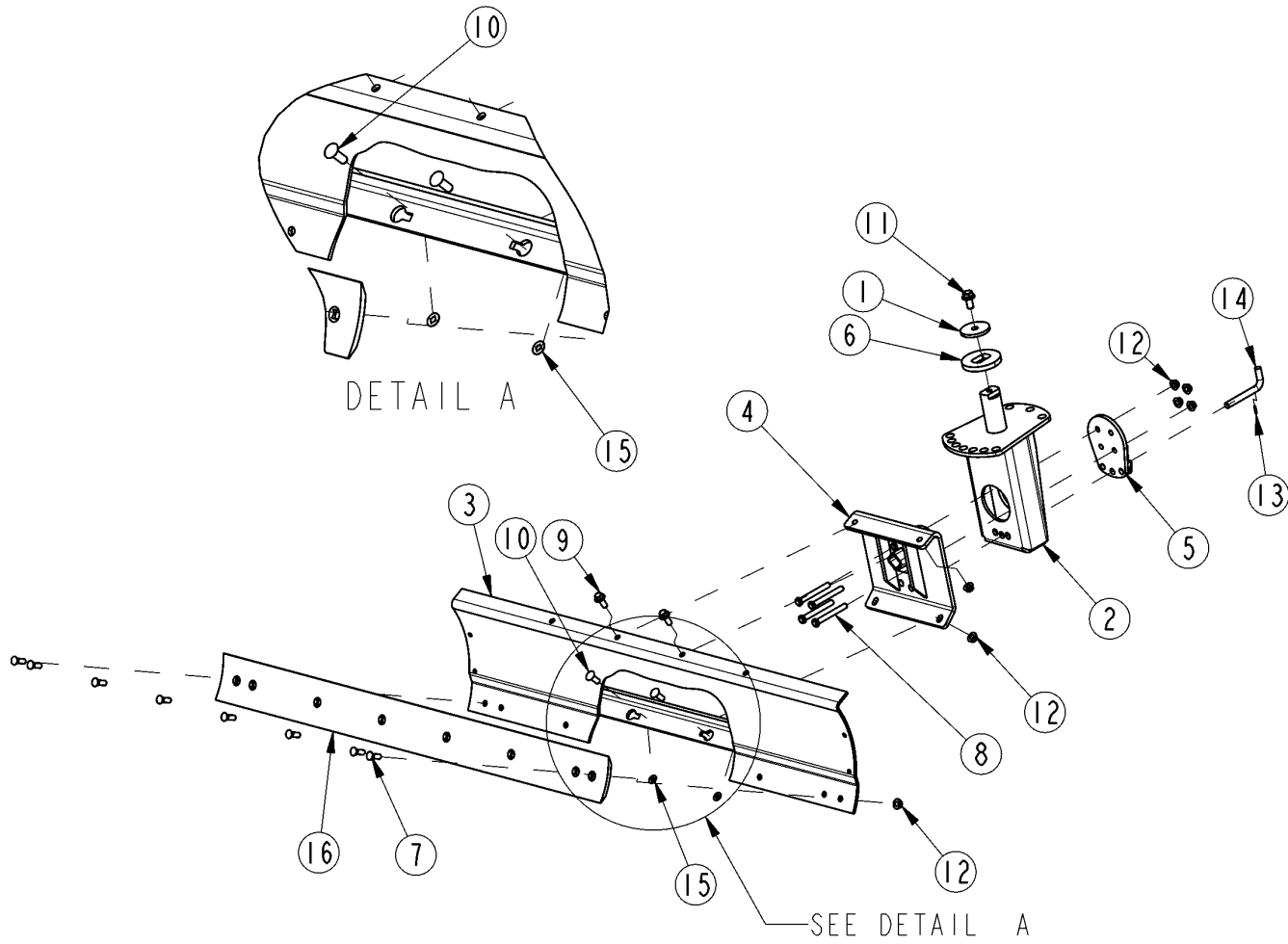
33390

Frame & Hitch**Applies to RB3672, RB3684, RB3696**

Ref	Part No.	Part Description	Comments	Revision
	dwg33390	Drawing Image Number		
1.	300-213H	FRONT PIVOT SHAFT WELDMNT		
2.	300-246H	WLDMNT, RB36 HITCH		
2.	300-246H81	WLDMNT, RB36 GREEN HITCH		
2.	300-246H82	WLDMNT, RB36 ORANGE HITCH		
3.	300-247H	RPBY 300-265H		
3.	300-247H81	RPBY 300-265H81		
3.	300-247H82	RPBY 300-265H82		
4.	300-504D	STAND, RB26/36 SUPPORT		
5.	308-400D	SPACER 1 1/4OD X 13/16ID X 2LG		
6.	800-080C	GREASE ZERK 1/4-28 THD FORMING		
7.	802-066C	HHCS 3/4-10X3 1/2 GR5		
8.	802-643C	HFSS 3/8-16 X 1 GR5		
9.	803-209C	NUT FLANGE LOCK 3/8-16 PLT		
10.	803-299C	NUT HEX FLG TOP LK 3/4-10 PLT		
11.	805-015C	PIN LINCH 5/16 X 1 3/4		
12.	805-021C	PIN COTTER 1/4 X 2 PLT		
13.	805-212C	PIN WIRE SNAP LOCK 3/8 X 2 1/2		
14.	805-213C	PIN BENT 1 OD X 7 PLATED		
15.	805-433C	PIN, CAT. I-II 8" HITCH		

Blade Components

Applies to RB3672, RB3684, RB3696



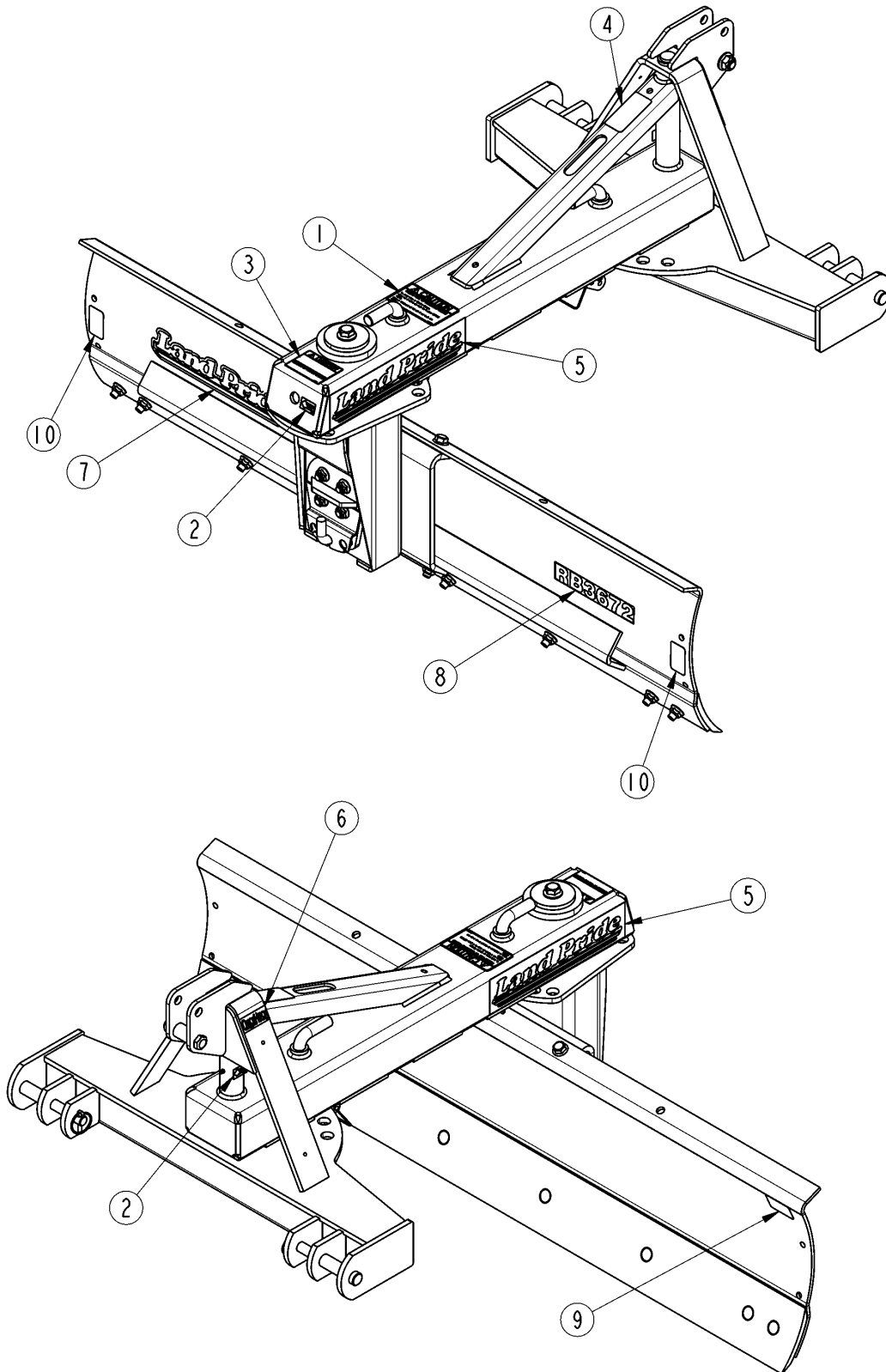
33391

Blade Components**Applies to RB3672, RB3684, RB3696**

Ref	Part No.	Part Description	Comments	Revision
	dwg33391	Drawing Image Number		
1.	301-303D	RETAINER CAP		
2.	301-382H	RPBY 301-458H		
3.	301-383H	WLDMNT, 72" 36 SERIES MLDBRD		
3.	301-384H	WLDMNT, 84" 36 SERIES MLDBRD		
3.	301-385H	WLDMNT, 96" 36 SERIES MLDBRD		
4.	301-415H	WLDMNT, RB36 MOLDBOARD MOUNT		
5.	301-420H	WLDMNT, RB36 PIVOT CAP		
6.	301-478D	PLATE, RB36 DRIVE PIVOT CAP		
7.	802-206C	PLOW 5/8-11X1 3/4 GR5		
8.	842-196C	HHCS 5/8-11X5 1/4 GR5	S/N 785572+ Grinding & Welding Required	
8.	802-254C	HHCS 5/8-11X5 1/2 GR5	S/N 785571-	
9.	802-657C	HFS 5/8-11 X 1 3/4 GR8		
10.	802-584C	RHSNB 5/8-11X1 3/4 GR5 PLT		
11.	802-897C	HFS 3/4-10X1 1/2 GR 5 PLT		
12.	803-263C	NUT HEX FLANGE LOCK 5/8-11 PLT		
13.	805-022C	PIN ROLL 3/16 X 1 PLT		
14.	805-461C	PIN, 3/4 X 4 29/32 USBL BENT		
15.	817-953C	WASHER, 5/8" BOLT RETAINER		
16.	820-043C	GRADER BLADE 1/2 X 6 X 71 1/2		
16.	820-046C	GRADER BLADE 1/2 X 6 X 83 1/2		
16.	820-035C	GRADER BLADE 1/2 X 6 X 95 1/2		

Label Placement

Applies to RB3672, RB3684, RB3696



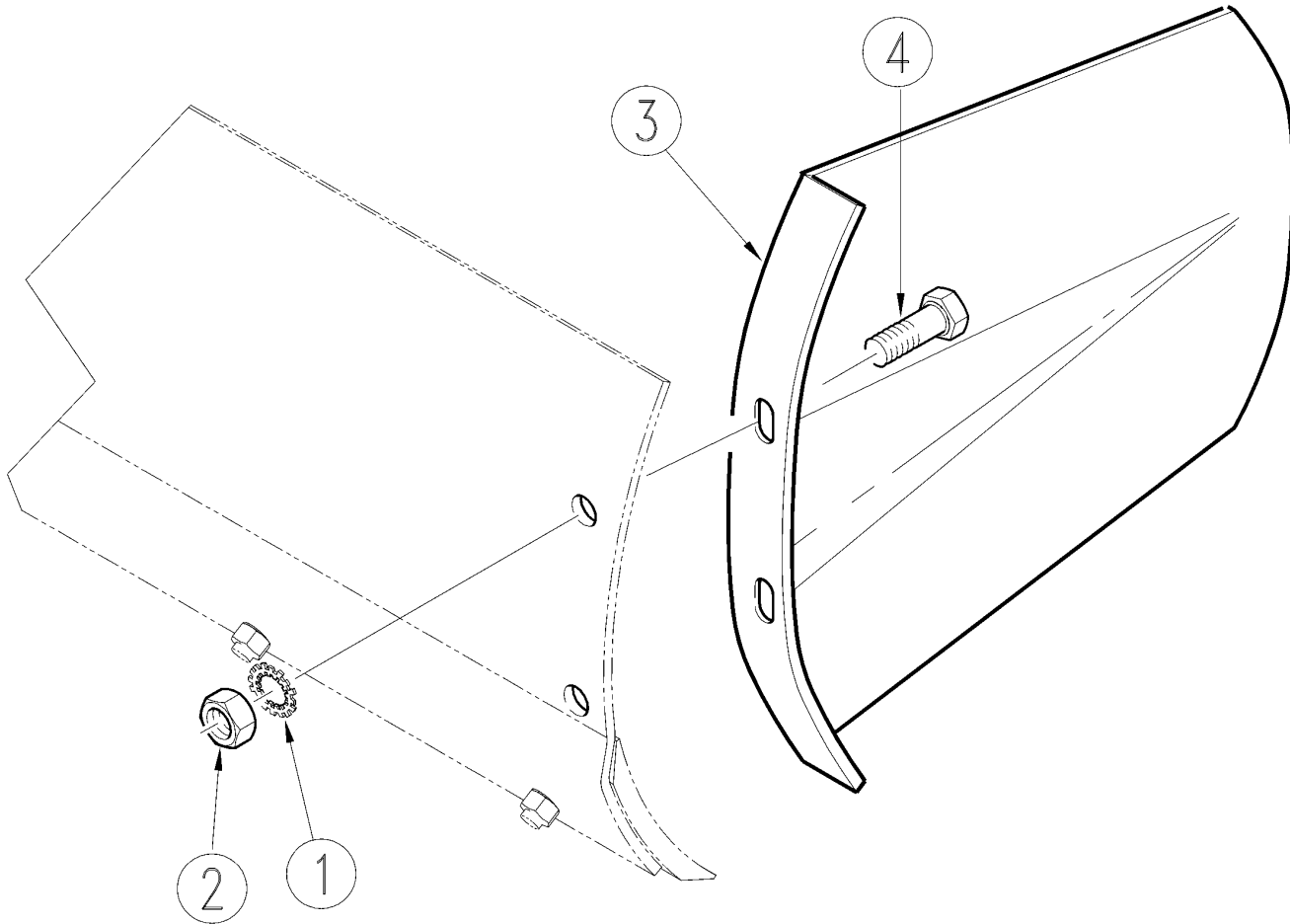
33392

Label Placement**Applies to RB3672, RB3684, RB3696**

Ref	Part No.	Part Description	Comments	Revision
	dwg33392	Drawing Image Number		
1.	818-202C	DECAL CAUTION FALL MBOARD/RAKE		
2.	818-298C	DECAL GREASE 25HRS BLACK/WHITE		
3.	818-487C	DECAL DANGER CRUSHING/PINCHING		
4.	818-798C	DECAL WARNING PINCH POINT GEN		
5.	818-901C	DECAL LANDPRIDE 16" - BROWN	Beige Unit	
5.	838-965C	DECAL LANDPRIDE 16" BROWN/GOLD	Green & Orange Unit	
6.	838-517C	DECAL QUICK HITCH SYSTEM		
7.	838-965C	DECAL LANDPRIDE 16" BROWN/GOLD		
8.	848-824C	DECAL, RB3672 BEIGE		
8.	848-825C	DECAL, RB3684 BEIGE		
8.	848-826C	DECAL, RB3696 BEIGE		
9.	818-229C	DECAL AMBER REFLECTOR		
10.	818-230C	DECAL RED REFLECTOR		

Side Plates

Applies to RB3672, RB3684, RB3696



13540

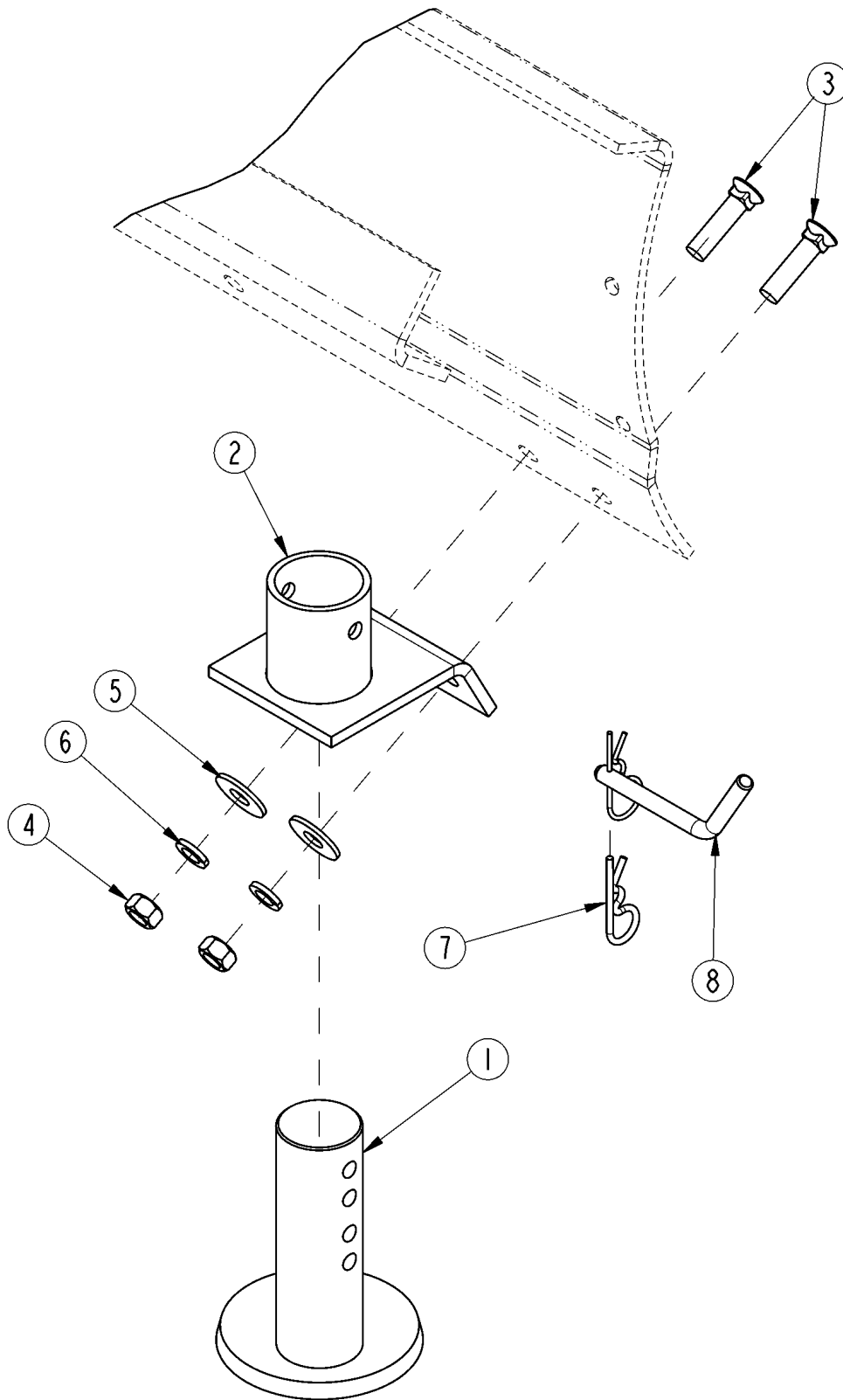
Side Plates

Applies to RB3672, RB3684, RB3696

Ref	Part No.	Part Description	Comments	Revision
	dwg13540	Drawing Image Number		
	301-010A	SIDE PLATE - PAIR		
1.	804-065C	WASHER INT-EXT 1/2 PLT		
2.	803-020C	NUT HEX 1/2-13 PLT		
3.	301-011H	SIDE PLATE WELDMENT		
4.	802-091C	HHCS 1/2-13X1 1/2 GR5		

Skid Shoe

Applies to RB3672, RB3684, RB3696



35076

Skid Shoe

Applies to RB3672, RB3684, RB3696

Ref	Part No.	Part Description	Comments	Revision
	dwg35076	Drawing Image Number		
	301-333A	T35/40 SKID SHOES *		
1.	301-203H	SKID SHOE WELDMENT		
2.	301-334H	T35/40 SKID SHOE MNT WELDMENT		
3.	802-211C	PLOW 5/8-11X2 1/2 GR5		
4.	803-021C	NUT HEX 5/8-11 PLT		
5.	804-019C	WASHER FLAT 5/8 USS PLT		
6.	804-022C	WASHER LOCK SPRING 5/8 PLT		
7.	805-088C	PIN, HAIR COTTER 3/16 WIRE DIA		
8.	805-293C	PIN BENT 1/2 X 3 1/2 W/HAIRPIN		



Part Number Index

The Part Number Index is a numeric index of all part numbers included in this manual. The index shows what page(s) the part is used on.

<u>Part Number</u>	<u>Page</u>	<u>Part Number</u>	<u>Page</u>
300-213H	7	dwg35076	15
300-246H	7		
300-246H81	7		
300-246H82	7		
300-247H	7		
300-247H81	7		
300-247H82	7		
300-504D	7		
301-010A	13		
301-011H	13		
301-203H	15		
301-303D	9		
301-333A	15		
301-334H	15		
301-382H	9		
301-383H	9		
301-384H	9		
301-385H	9		
301-415H	9		
301-420H	9		
301-478D	9		
308-400D	7		
800-080C	7		
802-066C	7		
802-091C	13		
802-206C	9		
802-211C	15		
802-254C	9		
802-584C	9		
802-643C	7		
802-657C	9		
802-897C	9		
803-020C	13		
803-021C	15		
803-209C	7		
803-263C	9		
803-299C	7		
804-019C	15		
804-022C	15		
804-065C	13		
805-015C	7		
805-021C	7		
805-022C	9		
805-088C	15		
805-212C	7		
805-213C	7		
805-293C	15		
805-433C	7		
805-461C	9		
817-953C	9		
818-202C	11		
818-229C	11		
818-230C	11		
818-298C	11		
818-487C	11		
818-798C	11		
818-901C	11		
820-035C	9		
820-043C	9		
820-046C	9		
838-517C	11		
838-965C	11		
842-196C	9		
848-824C	11		
848-825C	11		
848-826C	11		
dwg13540	13		
dwg33390	7		
dwg33391	9		
dwg33392	11		

This Page Intentionally Left Blank



Great Plains Manufacturing, Inc.

Corporate Office: P.O. Box 5060
Salina, Kansas 67402-5060 USA

www.landpride.com
