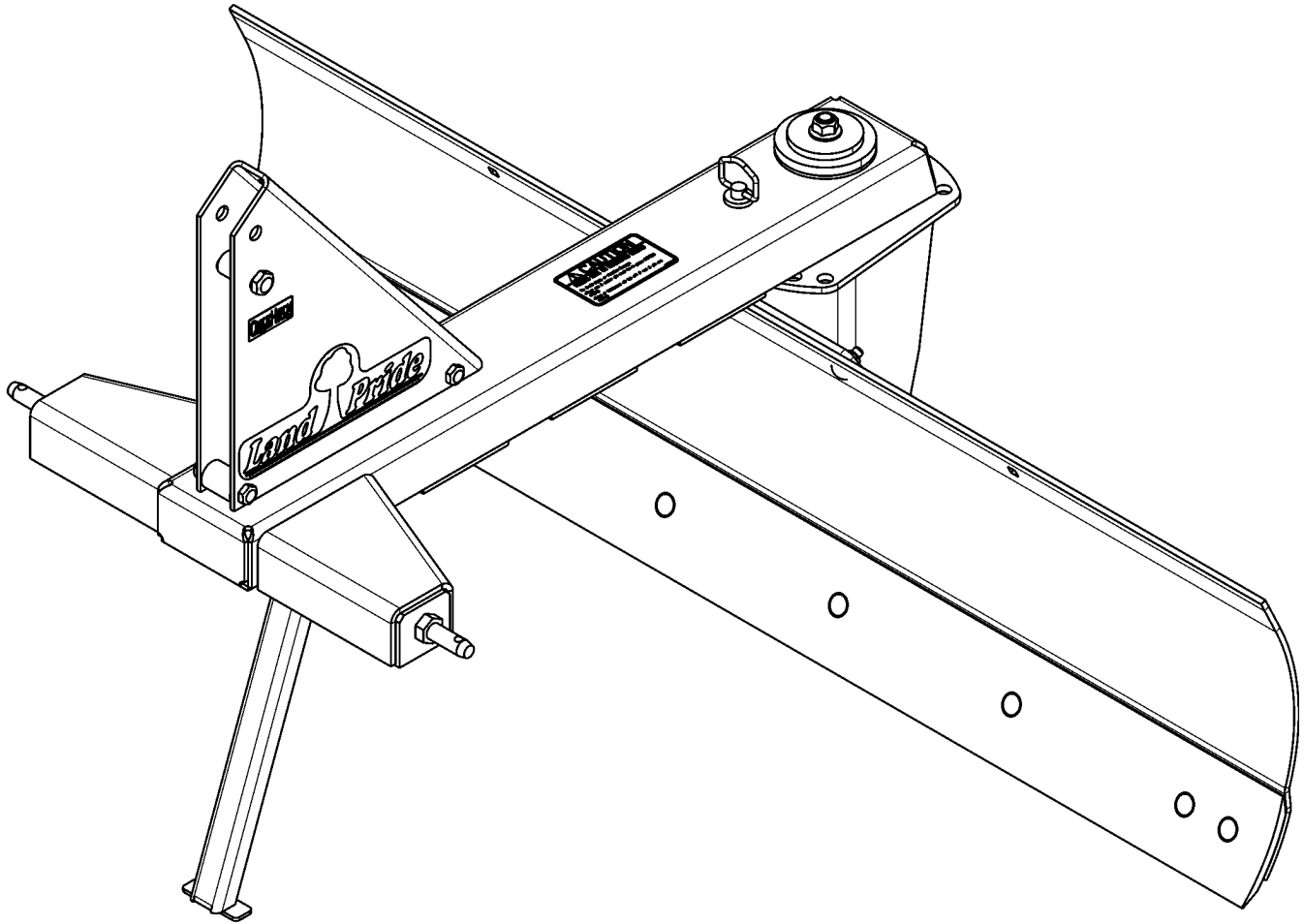


Rear Blades

RB1660, RB1672, RB1684, RB2672, RB2684 & RB2696



33358

301-375P Parts Manual



Read the Operator's Manual entirely. When you see this symbol, the subsequent instructions and warnings are serious - follow without exception. Your life and the lives of others depend on it!

© Copyright 2018 Printed 07/09/18

Cover photo may show optional equipment not supplied with standard unit.





Table of Contents

Section 1: Introduction.....4
 Using This Manual.....4
 Manual Replacement Information.....4
 Manual Revisions.....4
 Touch-up Paint.....4
 Hardware Legend.....5
 Replacement Hardware.....5
 Serial Numbers.....5
 Part Number Service Coding.....5

RB16 SERIES

Section 2: Frame.....6
 Frame & Hitch.....6
Section 3: Blade.....8
 Blade Components Non-Hex Drive S/N 703791-.....8
 Blade Components Hex Drive S/N 711726 to 751235.....10
 Blade Components S/N 751236 to 985649.....12
 Blade Components S/N 985650+.....14
Section 4: Decals.....16
 Decal Placement.....16
 Land Pride Touch-up Paints.....18
Section 5: Options & Accessories.....20
 Hydraulic Angle Option S/N 985649-.....20
 Hydraulic Angle Option S/N 985650+.....22
 Hydraulic Cylinder (810-746C).....24
 Skid Shoes.....26

RB26 SERIES

Section 2: Frame.....28
 Frame & Hitch.....28
Section 3: Blade.....30
 Blade Components S/N _____ to 985649.....30
 Blade Components S/N 762812-.....32
 Blade Components S/N 762813 to _____.....34
 Blade Components S/N 985650+.....36
Section 4: Decals.....38
 Decal Placement.....38
 Land Pride Touch-up Paints.....40
Section 5: Options & Accessories.....42
 Hydraulic Angle Option S/N 985649-.....42
 Hydraulic Angle Option S/N 985650+.....44
 Hydraulic Cylinder (810-746C).....46
 Side Plates.....48
 Skid Shoes.....50

Part Number Index.....52

© Copyright 2018. All rights reserved.

Land Pride provides this publication “as is” without warranty of any kind, either expressed or implied. While every precaution has been taken in the preparation of this manual, Land Pride assumes no responsibility for errors or omissions. Neither is any liability assumed for damages resulting from the use of the information contained herein. Land Pride reserves the right to revise and improve its products as it sees fit. This publication describes the state of this product at the time of its publication, and may not reflect the product in the future. The illustrations in this manual are not intended for safe and proper assembly or disassembly of equipment. The illustrations are intended for ordering parts only.

Land Pride is registered trademark.

All other brands and product names are trademarks or registered trademarks of their respective holders.

Printed in the United States of America.



Alphabetized Table of Contents

RB16 SERIES

B	
Blade Components Non-Hex Drive S/N 703791-.....	8
Blade Components Hex Drive S/N 711726 to 751235..	10
Blade Components S/N 751236 to 985649.....	12
Blade Components S/N 985650+.....	14
D	
Decal Placement.....	16
F	
Frame & Hitch.....	6
H	
Hydraulic Angle Option S/N 985649-.....	20
Hydraulic Angle Option S/N 985650+.....	22
Hydraulic Cylinder (810-746C).....	24
L	
Land Pride Touch-up Paints.....	18
S	
Skid Shoes.....	26

RB26 SERIES

B	
Blade Components S/N 762812-.....	32
Blade Components S/N 762813 to _____.....	34
Blade Components S/N 985650+.....	36
Blade Components S/N _____ to 985649.....	30
D	
Decal Placement.....	38
F	
Frame & Hitch.....	28
H	
Hydraulic Angle Option S/N 985649-.....	42
Hydraulic Angle Option S/N 985650+.....	44
Hydraulic Cylinder (810-746C).....	46
L	
Land Pride Touch-up Paints.....	40
S	
Side Plates.....	48
Skid Shoes.....	50

General Information

Using This Manual

This manual is divided into sections. The first section contains General Information. The remaining sections divide the machine into segments (i.e. Frames, Drives, Hydraulics, etc.) which illustrate and list all parts. A Parts Number Index is located at the back of the book.

The Land Pride parts in this manual are specially designed for this machine and should be replaced with Land Pride parts only.

The information in this manual is current at time of printing. Some parts may change to assure top performance.

Right-hand and left-hand as used in this manual are determined by facing the direction the machine will travel while in use.

Below is an example of two facing pages from a parts manual. Familiarize yourself with the type of information contained on these pages.

Manual Replacement Information

Replacement manuals are available. Refer to our website at www.landpride.com or e-mail us at lit@landpride.com for additional information. Our website continues to provide the most up-to-date manuals available.

Touch-up Paint

Repaint parts where paint is worn or scratched to prevent rust. Aerosol cans and touch-up bottles with brush applicator are available through your local dealer. Also available are quart and gallon size paints. Add QT or GL to end of the Aerosol P/N.

Land Pride color descriptions and part numbers are listed on the "Land Pride Touch-up Paints" page in the "Decals" section of this book. Color options vary by product.



General Information

Hardware Legend

AR	As Required
BLADE	Blade Bolt
C	Cap Screw
CP	Cotter Pin
CPHSSS	Cup Point Hex Socket Set Screw
CPSHSS	Cup Point Square Head Set Screw
CPSQHSS	Cup Point Square Head Set Screw
CRFCHMS3	Cross Recess Flat Countersunk Head Machine Screw
CRPHMS	Cross Recess Pan Head Machine Screw
CRPHTF	Cross Recess Pan Head Thread Forming
CRRHMS	Cross Recess Round Head Machine Screw
CRTHMS	Cross Recess Truss Head Machine Screw
CSNB	Countersunk Square Neck Bolt
FHMS	Flat Head Machine Screw
FTC	Full Thread Cap Screw
H	Hex Nut
HCLN	Hex Center Lock Nut
HFLCS	Hex Flange Lock Cap Screw
HFS	Hex Flange Screw
HFSLN	Hex Flange Serrated Lock Nut
HFSS	Hex Flange Serrated Screw
HHCS	Hex Head Cap Screw or Metric Bolt
HSBHCS	Hex Socket Button Head Cap Screw
HSFCHCS	Hex Socket Flat Countersunk Head Cap Screw
HSHCS	Hex Socket Head Cap Screw
HSSS	Hex Socket Head Screw
HTLN	Hex Top Lock Nut
HWHCS	Hex Washer Head Cap Screw

HWHMS	Hex Washer Head Machine Screw
HXBHCS	Hex Socket Button Head Cap Screw
J	Hex Jam Nut
JIC	37 Degree Tapered Thread
L	Helical Spring Lock Washer
LUG	Lug Bolt
NFC	National Fine Cap Screw
NPSM	National Pipe Straight Mechanical
NPTF	National Pipe Taper Fuel
P	Wide Plain Washer
PHMS	Pan Head Machine Screw
PLOW	Plow Bolt
RHMS	Round Head Machine Screw
RHSNB	Round Head Square Neck Bolt
SCREW LEVELING	Leveling Screw
SCREW THUMB	Thumb Screw
SCREW WELD	Weld Screw
SFCHMS	Slotted Flat Countersunk Head Machine Screw
SFHMS	Slotted Fillister Head Machine Screw
SP	Special
SP SCREW	Special Screw
SOHSS	Square Head Set Screw
SRHMS	Slotted Round Head Machine Screw
SSS	Socket Set Screw
STCS	Self Tapping Cap Screw
STHMS	Slotted Truss Head Machine Screw
WHEEL	Wheel Studs and Hub Long Bolts
WING	Wing Bolt

Replacement Hardware

The **Hardware Legend** above lists hardware abbreviations used in the parts list. All bolts and nuts are Grade 5 unless otherwise noted. The use of improper grades of hardware can result in personal injury, damage to equipment, or loss of property.

Colored Replacement Parts

Land Pride offers replacement parts in factory standard colors and also on select models in Green, Orange, Red and Blue. Because of the variety of colors available, special attention must be given to the part number to prevent ordering the wrong replacement part.

A suffix number corresponding to one of the colors below must be added at the end of Land Pride's part number when ordering a replacement part with that color.

81 Green 83 Red
82 Orange 84 Blue

For example, if you are ordering a replacement part with part number 555-555C and the part you need is red, then add the suffix 83 to the end of the number to make the part number read 555-555C83. Parts ordered without a suffix number will be supplied in factory standard colors.

Black Replacement Parts

Some parts are factory standard black and some must be special ordered black. If your part is special ordered black, a second part number with the additional suffix number 85 on the end will be available. In this situation you must order that part with the suffix number for it to be black. Parts that are factory standard black will not have the suffix number.

Part Number Service Coding

Within the parts list some part numbers are coded for revisions and interchangeability. See notations in revision column.

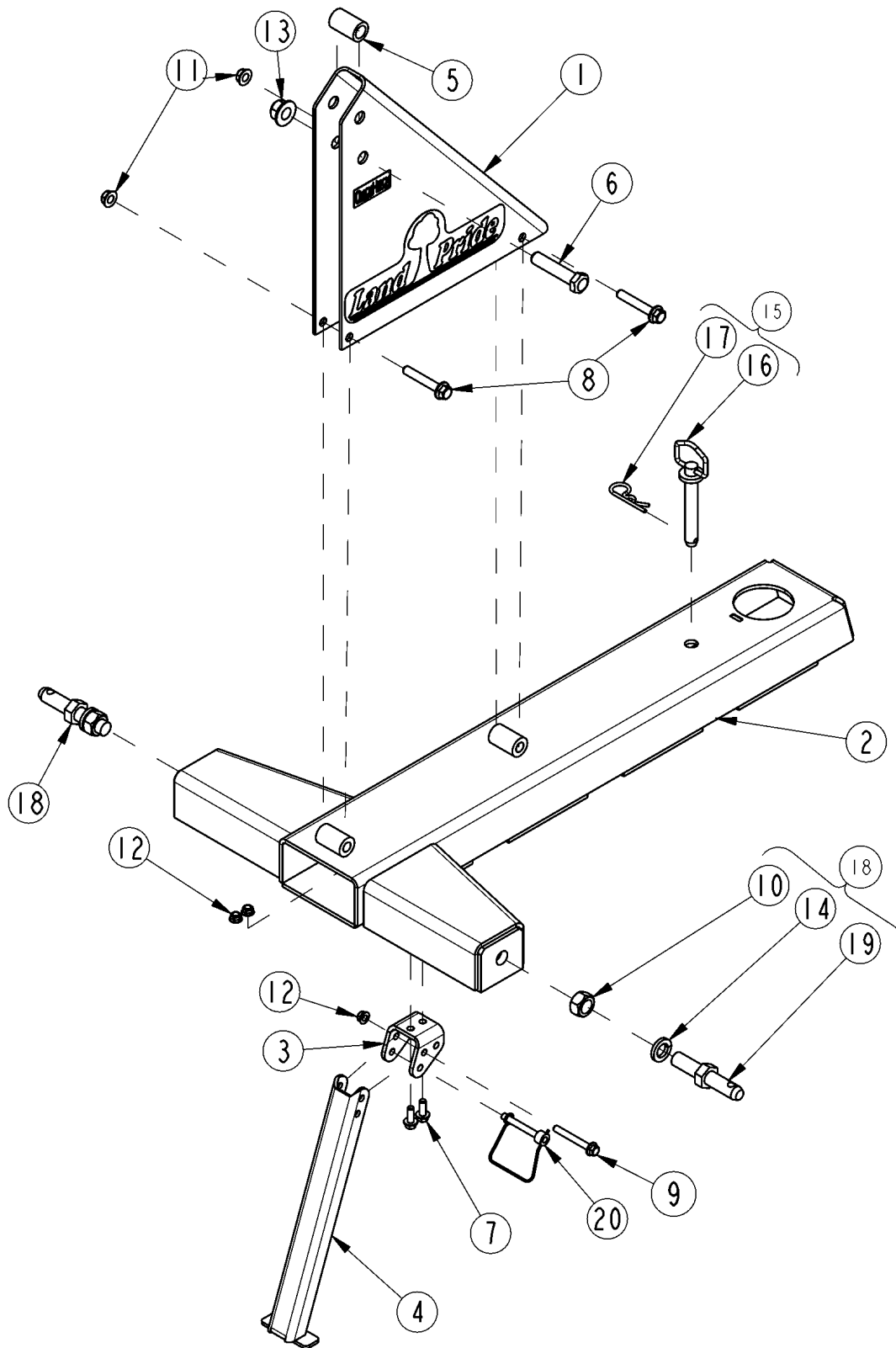
Serial Numbers

Always use the serial and model number when ordering parts. Refer to the Operator's Manual for serial number plate location.

- (S/N 20001+) Includes serial numbers 20001 and above (to the latest number)
- (S/N 10001 to 20000) Includes serial numbers between and including 10001 and 20000
- (S/N 10000-) Includes serial numbers 10000 and below (to the earliest number)

Frame & Hitch

Applies to RB1660, RB1672, RB1684



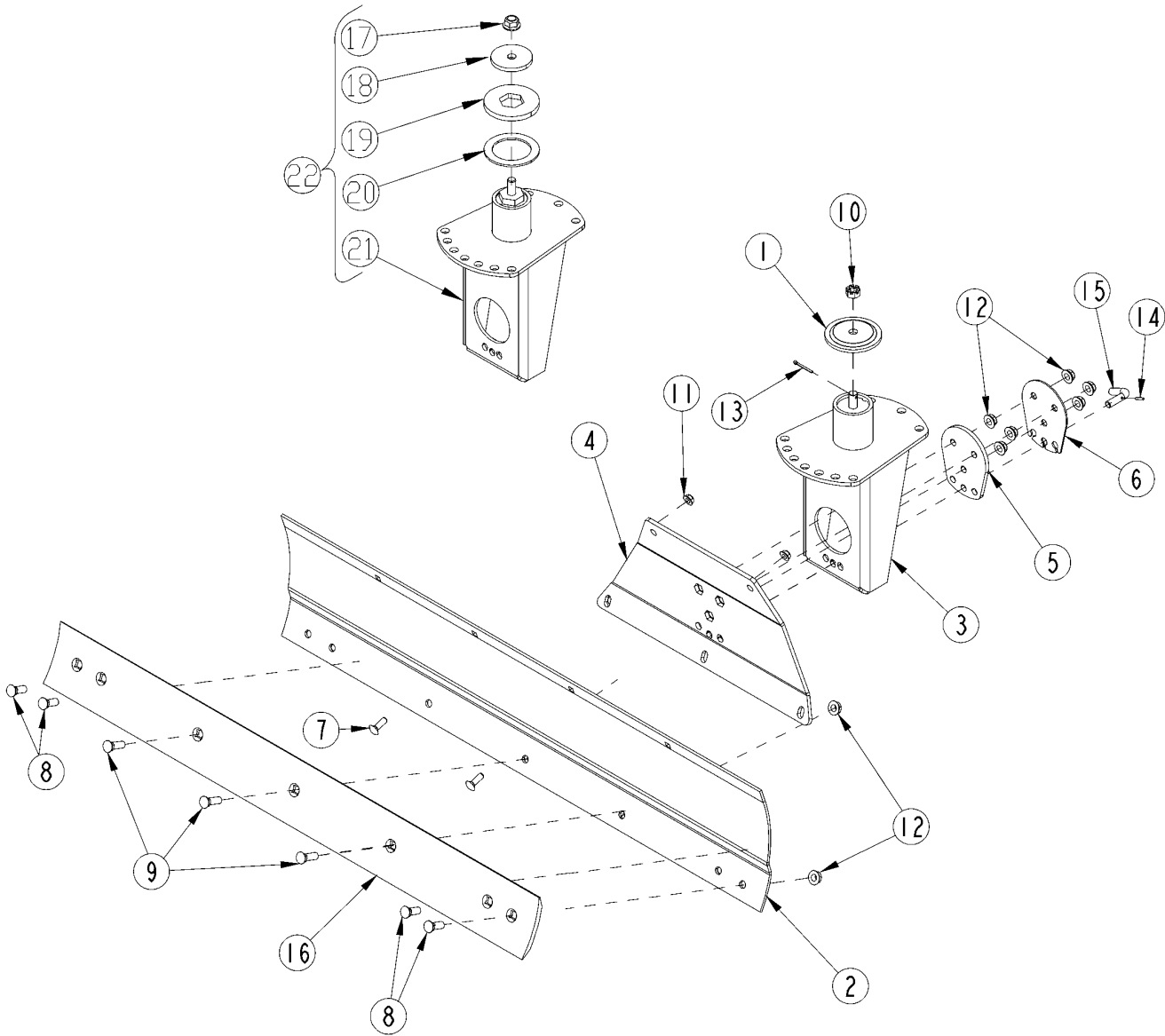
33128

Frame & Hitch**Applies to RB1660, RB1672, RB1684**

Ref	Part No.	Part Description	Comments	Revision
	dwg33128	Drawing Image Number		
1.	300-124S	ASSY, UPPER HITCH BUCK		
1.	300-124S81	ASSY, UPPER HITCH GREEN		
1.	300-124S82	ASSY, UPPER HITCH ORANGE		
2.	300-242H	WLDMNT, RB16 SERIES FRAME		
2.	300-242H81	WLDMNT, RB16 FRAME GREEN		
2.	300-242H82	WLDMNT, RB16 FRAME ORANGE		
3.	300-487D	MOUNT, RB16/26/36 SUPPORT STND		
4.	300-488D	STAND, RB16 SUPPORT		
5.	308-400D	SPACER 1 1/4OD X 13/16ID X 2LG		
6.	802-066C	HHCS 3/4-10X3 1/2 GR5		
7.	802-643C	HFSS 3/8-16 X 1 GR5		
8.	802-656C	HFS 1/2-13 X 3 GR5 PLT		
9.	802-934C	HFS 3/8-16X3 GR5 ZNYCR		
10.	803-149C	NUT HEX 7/8-14 PLT		
11.	803-169C	NUT HEX FLG LOCK 1/2-13 PLT		
12.	803-209C	NUT FLANGE LOCK 3/8-16 PLT		
13.	803-299C	NUT HEX FLG TOP LK 3/4-10 PLT		
14.	804-037C	WASHER LOCK SPRING 7/8 PLT		
15.	805-081C	PIN HITCH 3/4 X 4 3/8		
16.	N/A	PIN HITCH 3/4 X 4 3/8		
17.	805-088C	PIN, HAIR COTTER 3/16 WIRE DIA		
18.	805-111C	PIN DRAW 7/8 X 5		
19.	N/A	PIN DRAW 7/8 X 5		
20.	805-212C	PIN WIRE SNAP LOCK 3/8 X 2 1/2		

Blade Components Non-Hex Drive S/N 703791-

Applies to RB1660, RB1672, RB1684

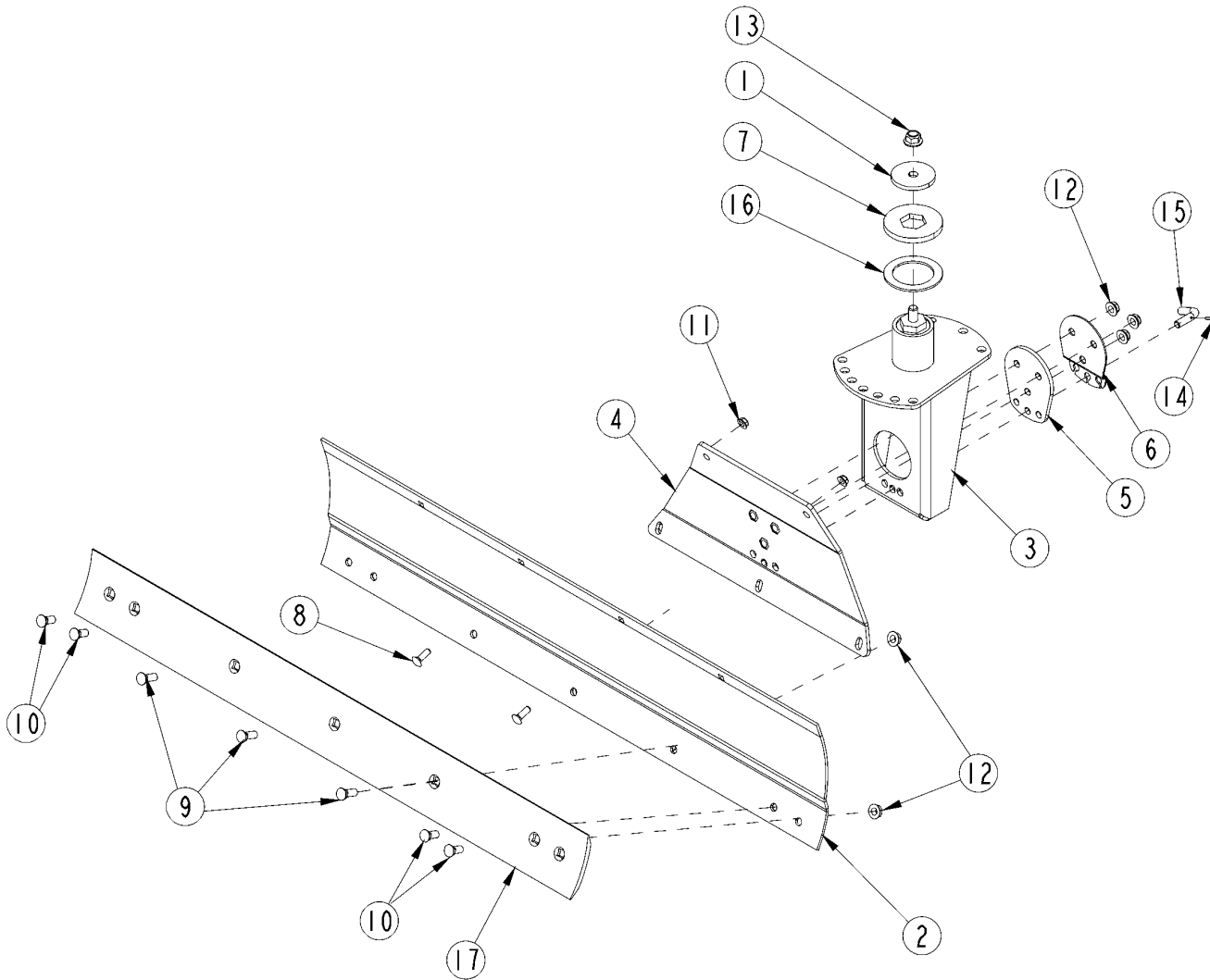


Blade Components Non-Hex Drive S/N 703791-**Applies to RB1660, RB1672, RB1684**

Ref	Part No.	Part Description	Comments	Revision
	Dwg 33129	Drawing Image Number		
1.	301-139D	PIVOT CAP		
2.	301-355D	5' -15 SERIES MOLDBOARD		
2.	301-356D	6' -15 SERIES MOLDBOARD		
2.	301-357D	7' -15 SERIES MOLDBOARD		
3.	N/A	ORDER 301-405K		
4.	301-372H	WLDMNT, RB16 MOLDBOARD MOUNT		
5.	N/A	PLATE, MOLDBOARD TILT CAP	Replaced W/ 301-419H	
6.	N/A	PLATE, MLDBRD TILT PIN LOCK	Replaced W/ 301-419H	
7.	802-106C	RHSNB 1/2-13X1 1/2 GR5		
8.	802-206C	PLOW 5/8-11X1 3/4 GR5		
9.	802-288C	PLOW 5/8-11X2 GR5		
10.	803-053C	NUT HEX SLOTTED 3/4-16		
11.	803-169C	NUT HEX FLG LOCK 1/2-13 PLT		
12.	803-263C	NUT HEX FLANGE LOCK 5/8-11 PLT		
13.	805-017C	PIN COTTER 3/16 X 1 3/4 PLT		
14.	805-022C	PIN ROLL 3/16 X 1 PLT		
15.	805-440C	PIN, 5/8 X 1 13/32 USBL BENT		
16.	820-041C	GRADER BLADE 1/2 X 6 X 59 1/2		
16.	820-043C	GRADER BLADE 1/2 X 6 X 71 1/2		
16.	820-046C	GRADER BLADE 1/2 X 6 X 83 1/2		
17.	803-299C	NUT HEX FLG TOP LK 3/4-10 PLT		
18.	301-303D	RETAINER CAP		
19.	301-466D	PLATE, HEX DRIVE PIVOT CAP		
20.	817-927C	BUSHING, CARRIER TUBE CAP		
21.	301-371H	WLDMNT, RB16 MOLDBOARD CARRIER		
22.	301-405K	ASSY, RB16 CARRIER SUB		

Blade Components Hex Drive S/N 711726 to 751235

Applies to RB1660, RB1672, RB1684



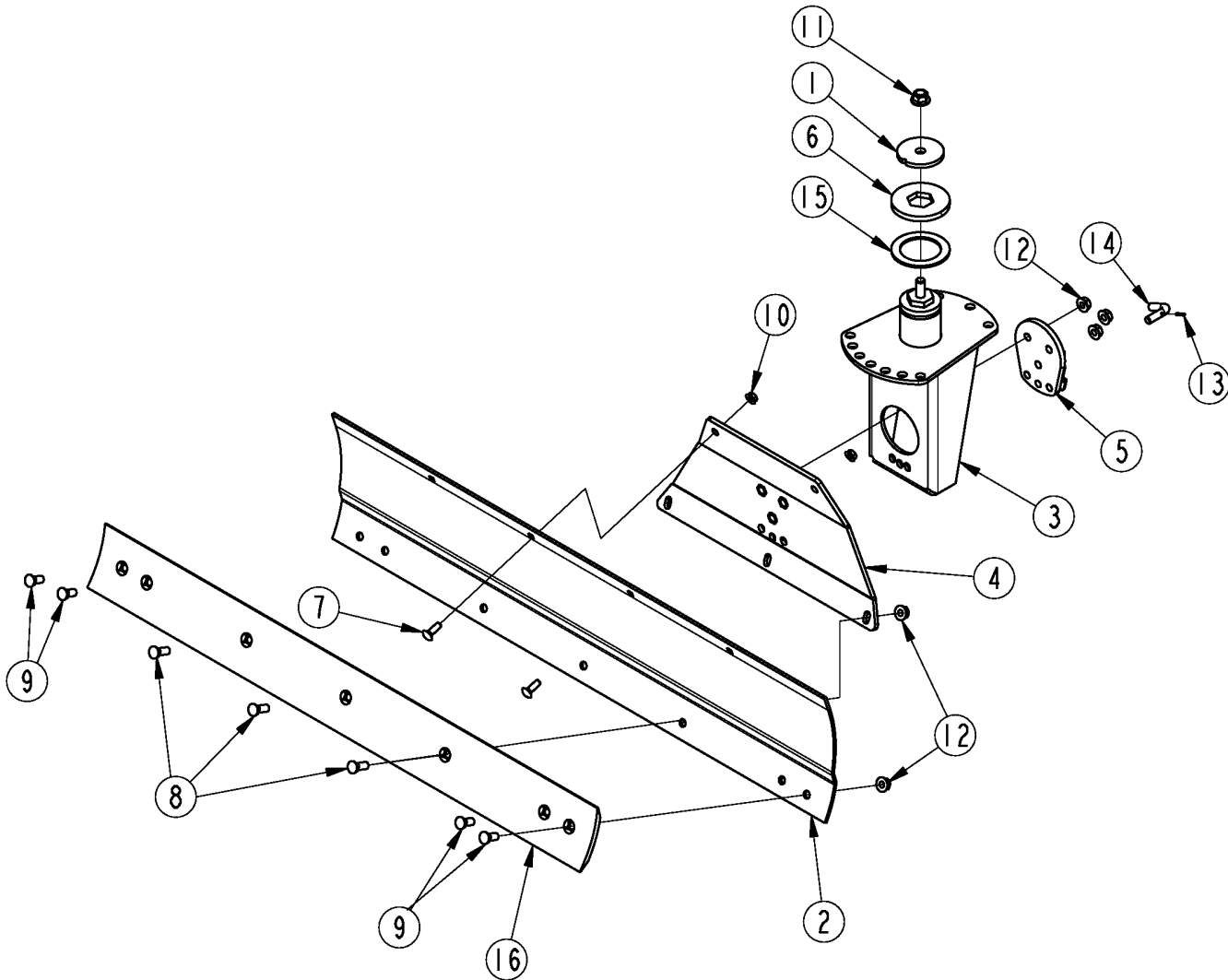
33387

Blade Components Hex Drive S/N 711726 to 751235**Applies to RB1660, RB1672, RB1684**

Ref	Part No.	Part Description	Comments	Revision
	Dwg 33387	Drawing Image Number		
1.	301-303D	RETAINER CAP		
2.	301-355D	5' -15 SERIES MOLDBOARD		
2.	301-356D	6' -15 SERIES MOLDBOARD		
2.	301-357D	7' -15 SERIES MOLDBOARD		
3.	301-371H	WLDMNT, RB16 MOLDBOARD CARRIER		
4.	301-372H	WLDMNT, RB16 MOLDBOARD MOUNT		
5.	N/A	PLATE, MOLDBOARD TILT CAP	Replaced W/ 301-419H	
6.	N/A	PLATE, TILT LOCK PIN KEEPER	Replaced W/ 301-419H	
7.	301-466D	PLATE, HEX DRIVE PIVOT CAP		
8.	802-106C	RHSNB 1/2-13X1 1/2 GR5		
9.	802-206C	PLOW 5/8-11X1 3/4 GR5		
10.	802-236C	PLOW 5/8-11X1 1/2 GR5		
11.	803-169C	NUT HEX FLG LOCK 1/2-13 PLT		
12.	803-263C	NUT HEX FLANGE LOCK 5/8-11 PLT		
13.	803-299C	NUT HEX FLG TOP LK 3/4-10 PLT		
14.	805-022C	PIN ROLL 3/16 X 1 PLT		
15.	805-440C	PIN, 5/8 X 1 13/32 USBL BENT		
16.	817-927C	BUSHING, CARRIER TUBE CAP		
17.	820-041C	GRADER BLADE 1/2 X 6 X 59 1/2		
17.	820-043C	GRADER BLADE 1/2 X 6 X 71 1/2		
17.	820-046C	GRADER BLADE 1/2 X 6 X 83 1/2		

Blade Components S/N 751236 to 985649

Applies to RB1660, RB1672, RB1684



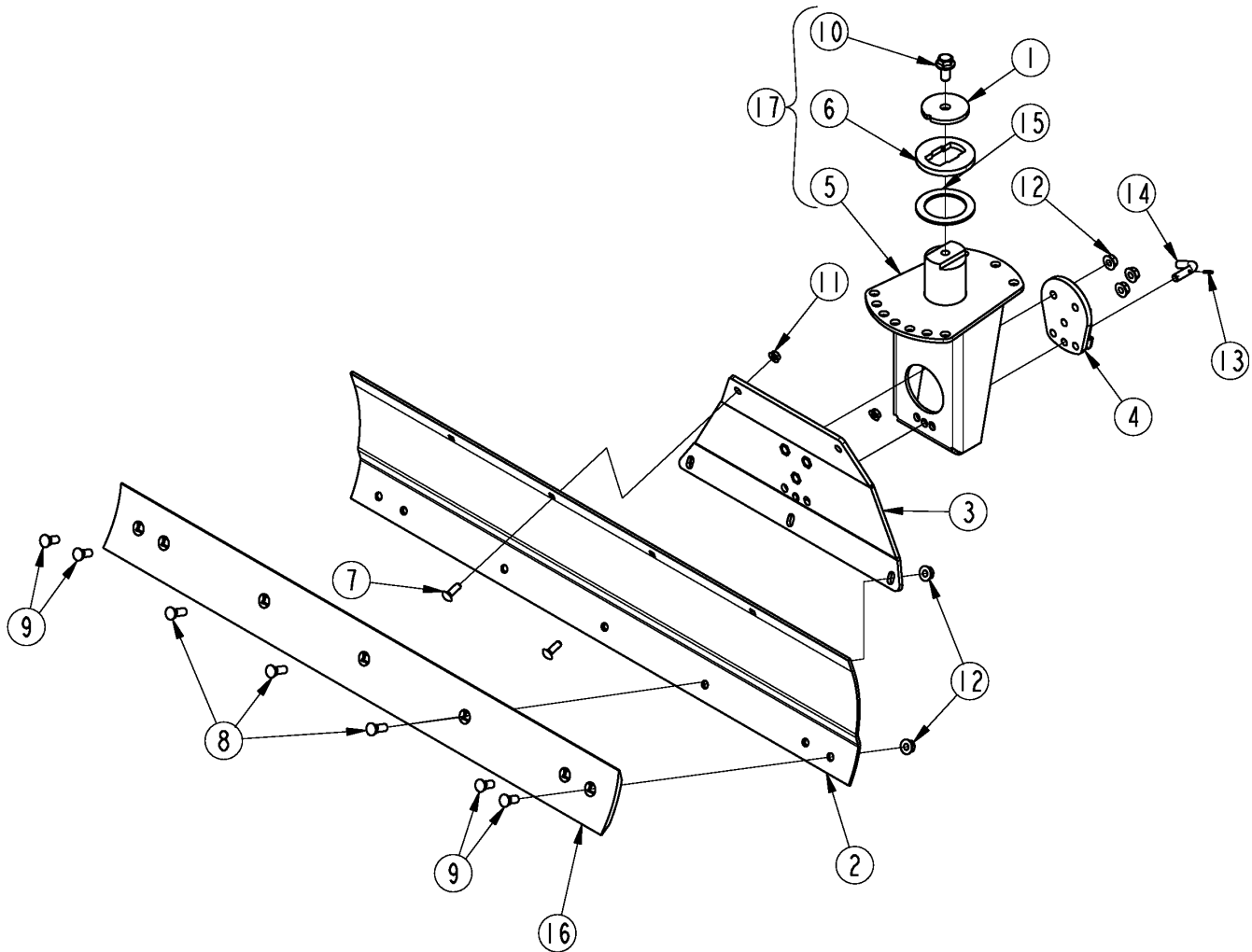
35074

Blade Components S/N 751236 to 985649**Applies to RB1660, RB1672, RB1684**

Ref	Part No.	Part Description	Comments	Revision
	Dwg 35074	Drawing Image Number		
1.	301-240D	40 PIVOT CAP	S/N 911765+	
1.	301-303D	RETAINER CAP	S/N 911764-	
2.	301-355D	5' -15 SERIES MOLDBOARD		
2.	301-356D	6' -15 SERIES MOLDBOARD		
2.	301-357D	7' -15 SERIES MOLDBOARD		
3.	301-371H	RPBY 301-527S		
4.	301-372H	WLDMNT, RB16 MOLDBOARD MOUNT		
5.	301-419H	WLDMNT, RB16/26 PIVOT CAP		
6.	301-466D	PLATE, HEX DRIVE PIVOT CAP		
7.	802-106C	RHSNB 1/2-13X1 1/2 GR5		
8.	802-206C	PLOW 5/8-11X1 3/4 GR5		
9.	802-236C	PLOW 5/8-11X1 1/2 GR5		
10.	803-037C	NUT HEX WHIZ 1/2-13 PLT	S/N 821298+	
10.	803-169C	NUT HEX FLG LOCK 1/2-13 PLT	S/N 821297-	
11.	803-299C	NUT HEX FLG TOP LK 3/4-10 PLT		
12.	803-304C	NUT HEX WHIZ 5/8-11 PLT	S/N 815206+	
12.	803-263C	NUT HEX FLANGE LOCK 5/8-11 PLT	S/N 815205-	
13.	805-022C	PIN ROLL 3/16 X 1 PLT		
14.	805-440C	PIN, 5/8 X 1 13/32 USBL BENT		
15.	817-927C	BUSHING, CARRIER TUBE CAP		
16.	820-041C	GRADER BLADE 1/2 X 6 X 59 1/2		
16.	820-079C	GRADER BLADE 1/2 X 6 X 71 1/2		
16.	820-046C	GRADER BLADE 1/2 X 6 X 83 1/2		

Blade Components S/N 985650+

Applies to RB1660, RB1672, RB1684



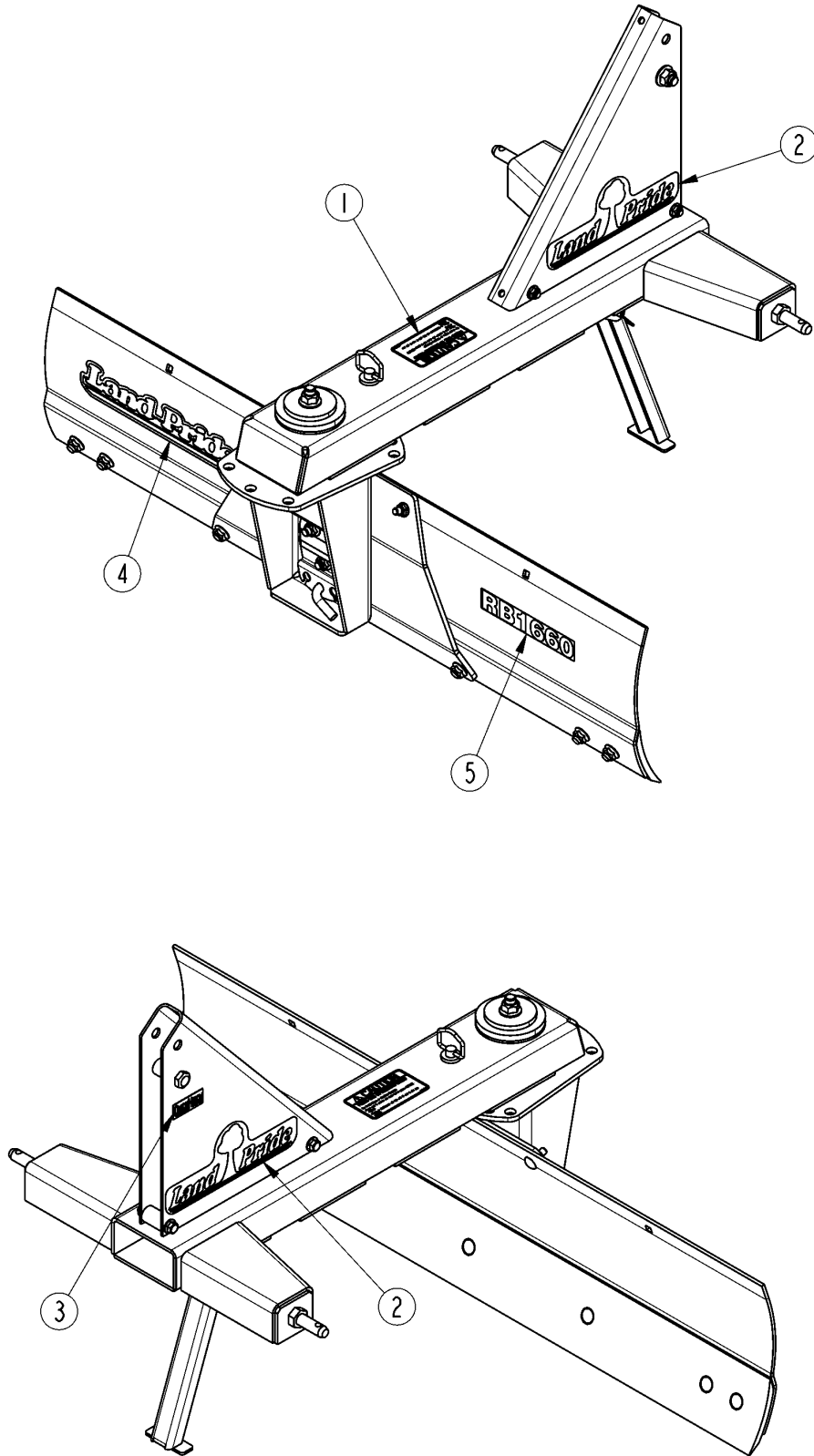
39378

Blade Components S/N 985650+**Applies to RB1660, RB1672, RB1684**

Ref	Part No.	Part Description	Comments	Revision
	dwg39378	Drawing Image Number		
1.	301-240D	40 PIVOT CAP		
2.	301-355D	5' -15 SERIES MOLDBOARD		
2.	301-356D	6' -15 SERIES MOLDBOARD		
2.	301-357D	7' -15 SERIES MOLDBOARD		
3.	301-372H	WLDMNT, RB16 MOLDBOARD MOUNT		
4.	301-419H	WLDMNT, RB16/26 PIVOT CAP		
5.	301-525H	RB16 MOLDBOARD CARRIER		
6.	301-637D	DRIVE PIVOT CAP		
7.	802-106C	RHSNB 1/2-13X1 1/2 GR5		
8.	802-206C	PLOW 5/8-11X1 3/4 GR5		
9.	802-236C	PLOW 5/8-11X1 1/2 GR5		
10.	802-897C	HFS 3/4-10X1 1/2 GR 5 PLT		
11.	803-037C	NUT HEX WHIZ 1/2-13 PLT		
12.	803-304C	NUT HEX WHIZ 5/8-11 PLT		
13.	805-022C	PIN ROLL 3/16 X 1 PLT		
14.	805-440C	PIN, 5/8 X 1 13/32 USBL BENT		
15.	817-927C	BUSHING, CARRIER TUBE CAP		
16.	820-041C	GRADER BLADE 1/2 X 6 X 59 1/2		
16.	820-079C	GRADER BLADE 1/2 X 6 X 71 1/2		
16.	820-046C	GRADER BLADE 1/2 X 6 X 83 1/2		
17.	301-527S	KIT, RB16 MOLDBOARD CARRIER		

Decal Placement

Applies to RB1660, RB1672, RB1684



33130

Decal Placement**Applies to RB1660, RB1672, RB1684**

Ref	Part No.	Part Description	Comments	Revision
	dwg33130	Drawing Image Number		
1.	818-202C	DECAL CAUTION FALL MBOARD/RAKE		
2.	818-891C	RPBY 838-962C	Beige Unit	
2.	838-962C	DECAL LP 13" W/TREE BROWN/GOLD	Green & Orange Unit	
3.	838-517C	DECAL QUICK HITCH SYSTEM		
4.	838-965C	DECAL LANDPRIDE 16" BROWN/GOLD		
5.	848-751C	DECAL, RB1660 BEIGE		
5.	848-752C	DECAL, RB1672 BEIGE		
5.	848-753C	DECAL, RB1684 BEIGE		

Land Pride Touch-up Paints

Applies to RB1660, RB1672, RB1684

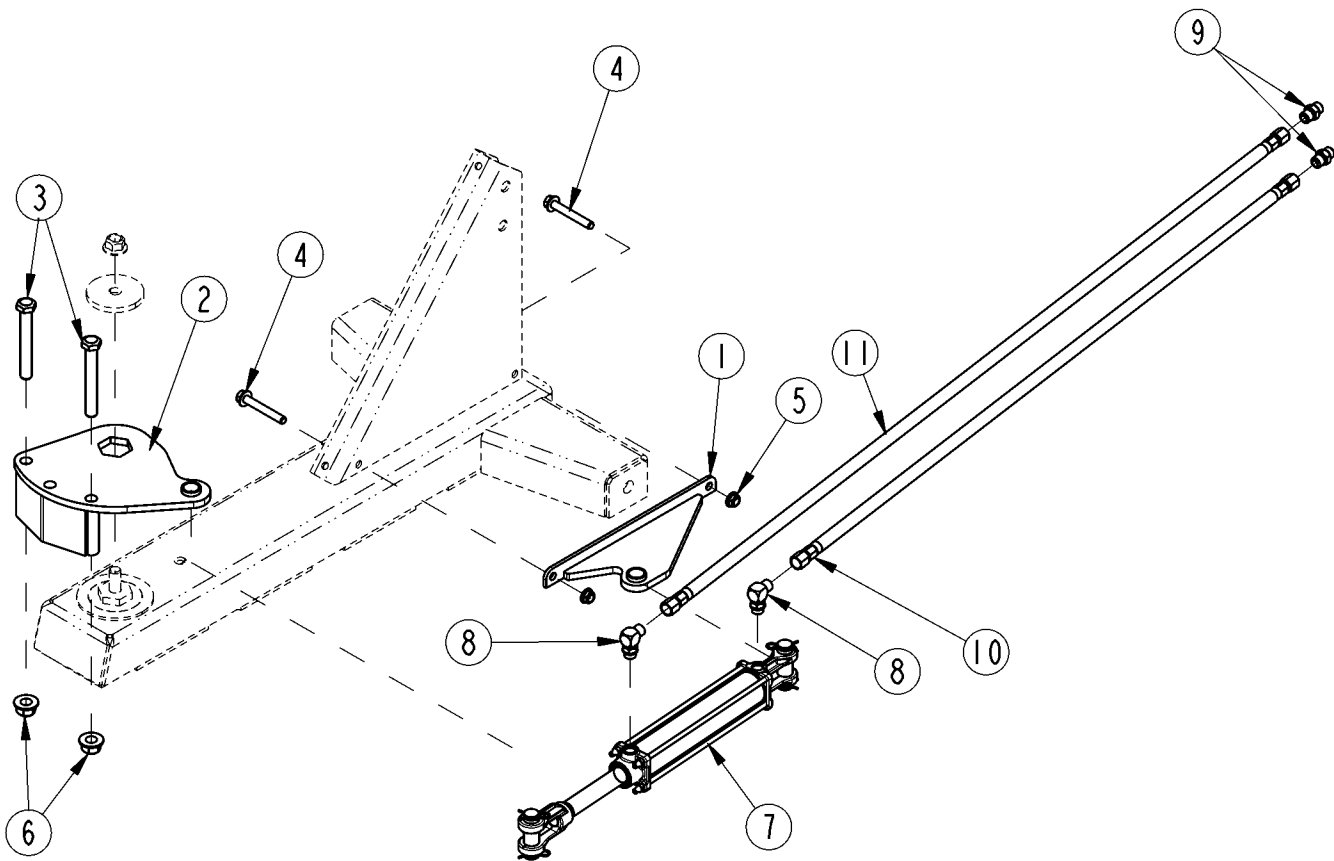
No diagram associated with this Parts List

Land Pride Touch-up Paints**Applies to RB1660, RB1672, RB1684**

Ref	Part No.	Part Description	Comments	Revision
1.	821-011C	LP BEIGE SPRAY CAN	Spray can	
1.	821-070C	GLOSS BLACK SPRAY CAN	Spray can	
1.	821-054C	MED. RED SPRAY TRCK/CTR	Spray can	
1.	821-058C	GREEN SPRAY CUTTERS	Spray can	
1.	821-066C	ORANGE SPRAY CAN	Spray can	
1.	821-067C	BLUE SPRAY CAN	Spray can	
1.	821-080C	PAINT ALUMINUM/ZINC SPRAY CAN	Spray can	
2.	821-011CTU	LP BEIGE TOUCH-UP 5OZ	Touch-up bottle with brush	
2.	821-070CTU	GLOSS BLACK TOUCH-UP 5OZ	Touch-up bottle with brush	
2.	821-054CTU	MED RED TOUCH-UP 5OZ	Touch-up bottle with brush	
2.	821-058CTU	GREEN TOUCH-UP 5OZ	Touch-up bottle with brush	
2.	821-066CTU	ORANGE TOUCH-UP 5OZ	Touch-up bottle with brush	
2.	821-067CTU	BLUE TOUCH-UP 5OZ	Touch-up bottle with brush	
2.	821-080CTU	PAINT ALUMINUM/ZINC TOUCH UP	Touch-up bottle with brush	
3.	821-011CQT	LP BEIGE QUART	Quart can	
3.	821-070CQT	GLOSS BLACK QUART	Quart can	
3.	821-054CQT	MED RED QUART	Quart can	
3.	821-058CQT	GREEN QUART	Quart can	
3.	821-066CQT	ORANGE QUART	Quart can	
3.	821-067CQT	BLUE QUART	Quart can	
3.	821-080CQT	PAINT ALUMINUM/ZINC QUART	Quart can	
4.	821-011CGL	LP BEIGE GALLON	Gallon can	
4.	821-070CGL	GLOSS BLACK GALLON	Gallon can	
4.	821-054CGL	MED RED GALLON	Gallon can	
4.	821-058CGL	GREEN GALLON	Gallon can	
4.	821-066CGL	ORANGE GALLON	Gallon can	
4.	821-067CGL	BLUE GALLON	Gallon can	
4.	821-080CGL	PAINT ALUMINUM/ZINC GALLON	Gallon can	

Hydraulic Angle Option S/N 985649-

Applies to RB1660, RB1672, RB1684



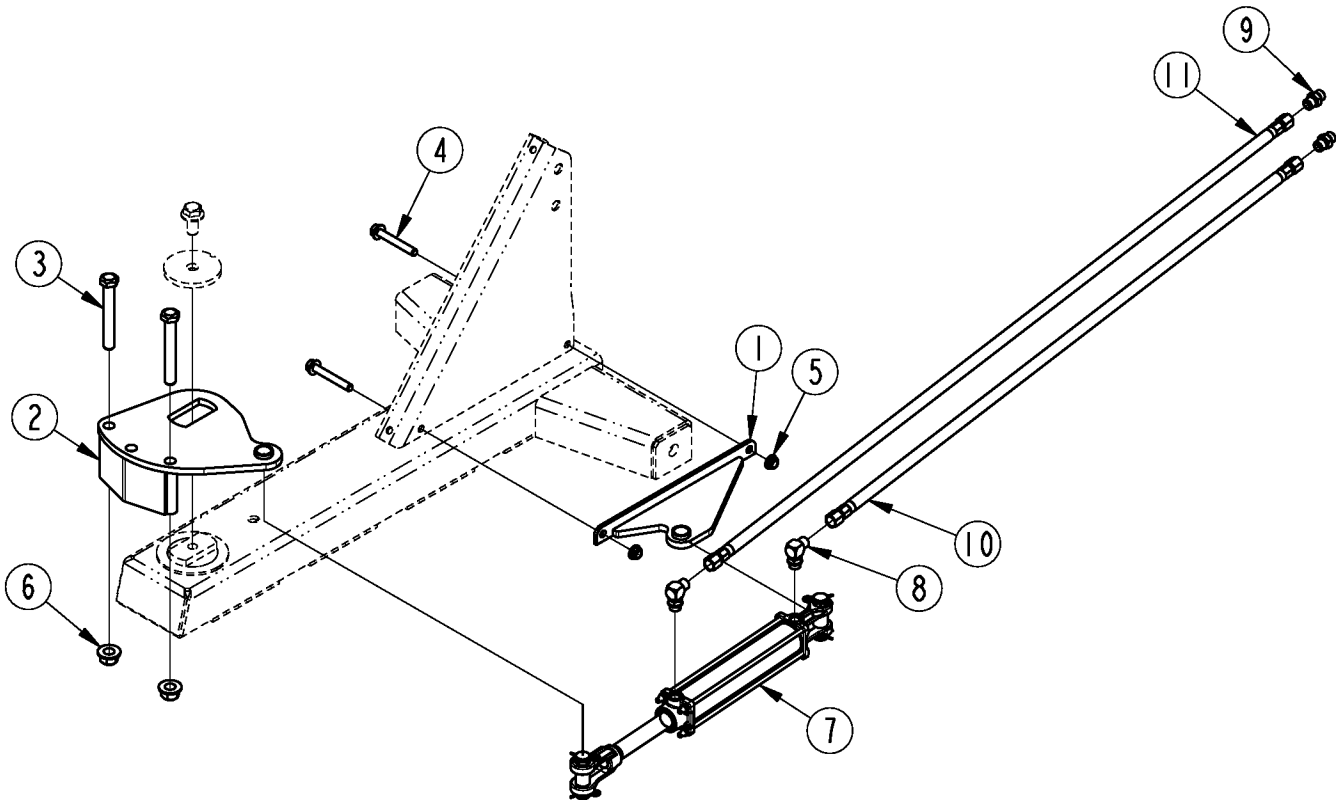
33402

Hydraulic Angle Option S/N 985649-**Applies to RB1660, RB1672, RB1684**

Ref	Part No.	Part Description	Comments	Revision
	dwg33402	Drawing Image Number		
	301-425A	KIT, RB/LR16 HYDRAULIC ANGLE *	S/N 756707- May Require Grinding	
1.	301-402H	WLDMNT, RB16 FRNT CYL MOUNT		
2.	301-424H	WLDMNT. RB16/26 HYD ANG PLATE		
3.	802-594C	HHCS 3/4-10X5 1/2 GR5		
4.	802-658C	HFS 1/2-13 X 3 1/2 GR5 PLT		
5.	803-169C	NUT HEX FLG LOCK 1/2-13 PLT		
6.	803-299C	NUT HEX FLG TOP LK 3/4-10 PLT		
7.	810-746C	CYL 2X10X1.12 ROD (TIE)		
8.	811-063C	EL 3/4MJIC 3/4MORB		
9.	811-088C	AD 3/4MORB 3/4MJIC		
10.	841-590C	HH3/8R2 054 3/4FJIC E-Z FLEX		
11.	841-591C	HH3/8R2 067 3/4FJIC E-Z FLEX		

Hydraulic Angle Option S/N 985650+

Applies to RB1660, RB1672, RB1684



39374

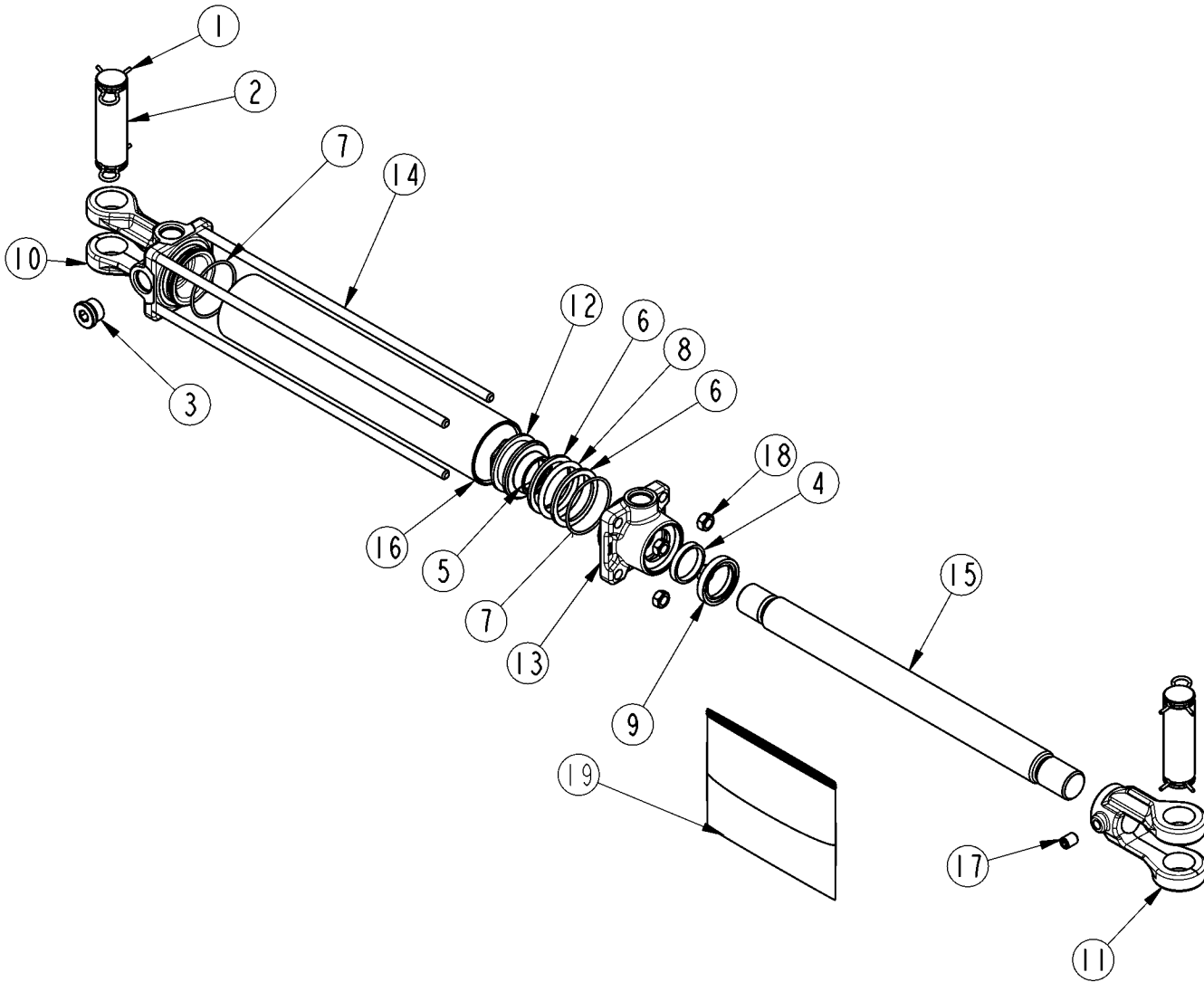
Hydraulic Angle Option S/N 985650+

Applies to RB1660, RB1672, RB1684

Ref	Part No.	Part Description	Comments	Revision
	dwg39374	Drawing Image Number		
	301-526A	RB/LR16 HYDRAULIC ANGLE KIT *		
1.	301-402H	WLDMNT, RB16 FRNT CYL MOUNT		
2.	301-523H	RB16/26 HYD ANG PLATE		
3.	802-594C	HHCS 3/4-10X5 1/2 GR5		
4.	802-658C	HFS 1/2-13 X 3 1/2 GR5 PLT		
5.	803-169C	NUT HEX FLG LOCK 1/2-13 PLT		
6.	803-299C	NUT HEX FLG TOP LK 3/4-10 PLT		
7.	810-746C	CYL 2X10X1.12 ROD (TIE)		
8.	811-063C	EL 3/4MJIC 3/4MORB		
9.	811-088C	AD 3/4MORB 3/4MJIC		
10.	841-590C	HH3/8R2 054 3/4FJIC E-Z FLEX		
11.	841-591C	HH3/8R2 067 3/4FJIC E-Z FLEX		

Hydraulic Cylinder (810-746C)

Applies to RB1660, RB1672, RB1684



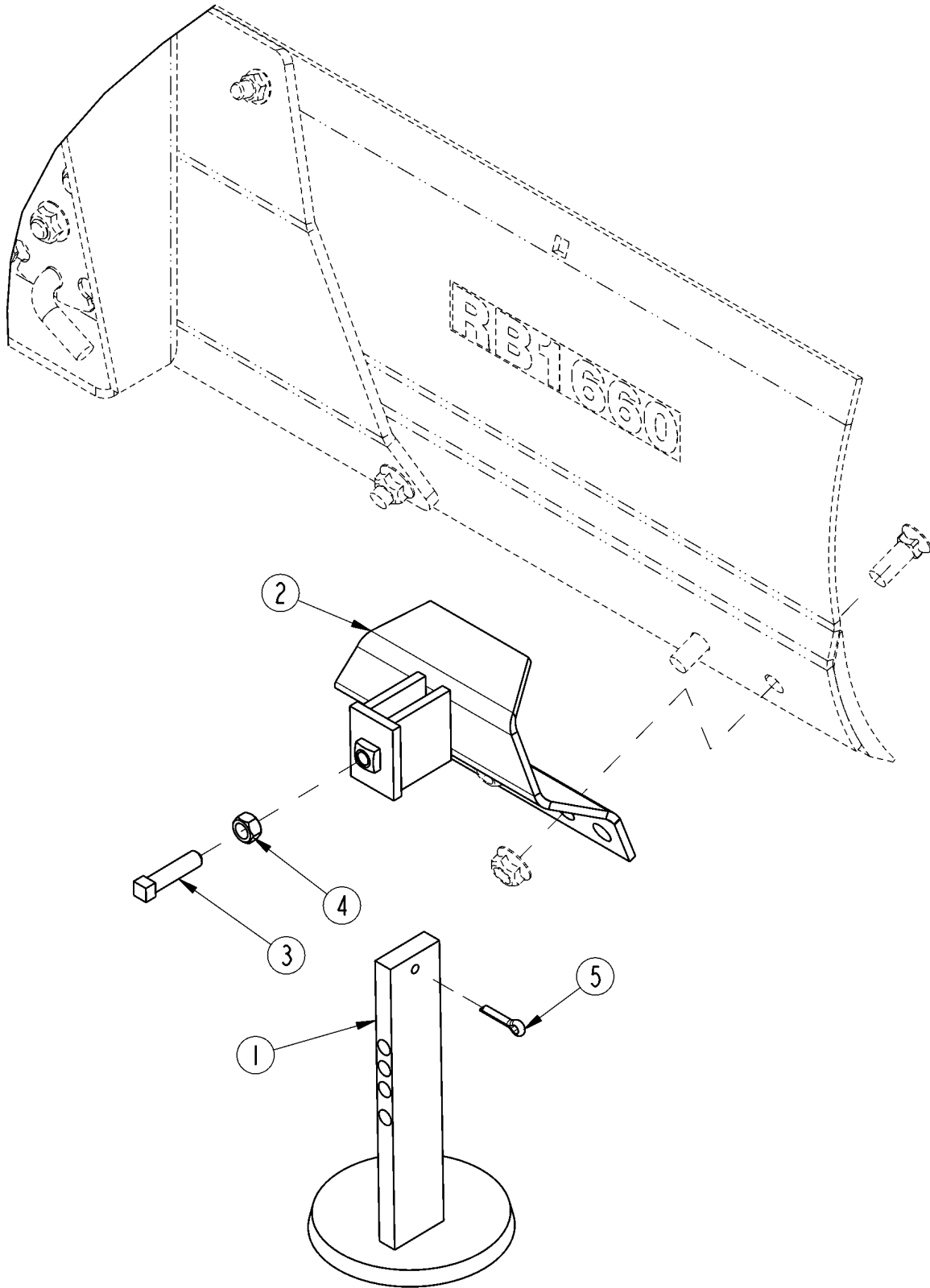
33417

Hydraulic Cylinder (810-746C)**Applies to RB1660, RB1672, RB1684**

Ref	Part No.	Part Description	Comments	Revision
	dwg33417	Drawing Image Number		
	810-746C	CYL 2X10X1.12 ROD (TIE) *		
1.	134952	LION PIN CLIP-CLEVIS		
2.	134953	LION PIN		
3.	186562	LION PLUG 3/4-16UNF SOCKET HD		
4.	N/A	MON SEAL HALLITE 605 ROD 1.13		
5.	N/A	MON O-RING 024 1.125X1.225 N90		
6.	N/A	MON SEAL BU#326 19PI-326		
7.	N/A	MON O-RING 133 1.812X2 BUNA D9		
8.	N/A	MON O-RING 326 1.63X2 D90		
9.	N/A	LION WIPER SEAL		
10.	293008	MON CLEVIS CAP 2.00-3/4ORD-1.0		
11.	293009	MON ROD CLEVIS 1.00-1.00 TX		
12.	293010	MON PISTON 2.00 TX		
13.	293016	MON ROD CAP 2.00-1.13-3/4 ORB		
14.	494178	MON TIE ROD 5/16-10 TX WASHED		
15.	497509	MON ROD 1.12-10-1.00-1.00 TX		
16.	498508	MON TUBE 2.00-10 TX CYL		
17.	801-023C	SCREW SET SH 3/8-16X3/8 TYPE C		
18.	803-008C	NUT HEX 5/16-18 PLT		
19.	810-252C	SEAL KIT LN 639572 2.0BX1.125R		

Skid Shoes

Applies to RB1660, RB1672, RB1684



33264

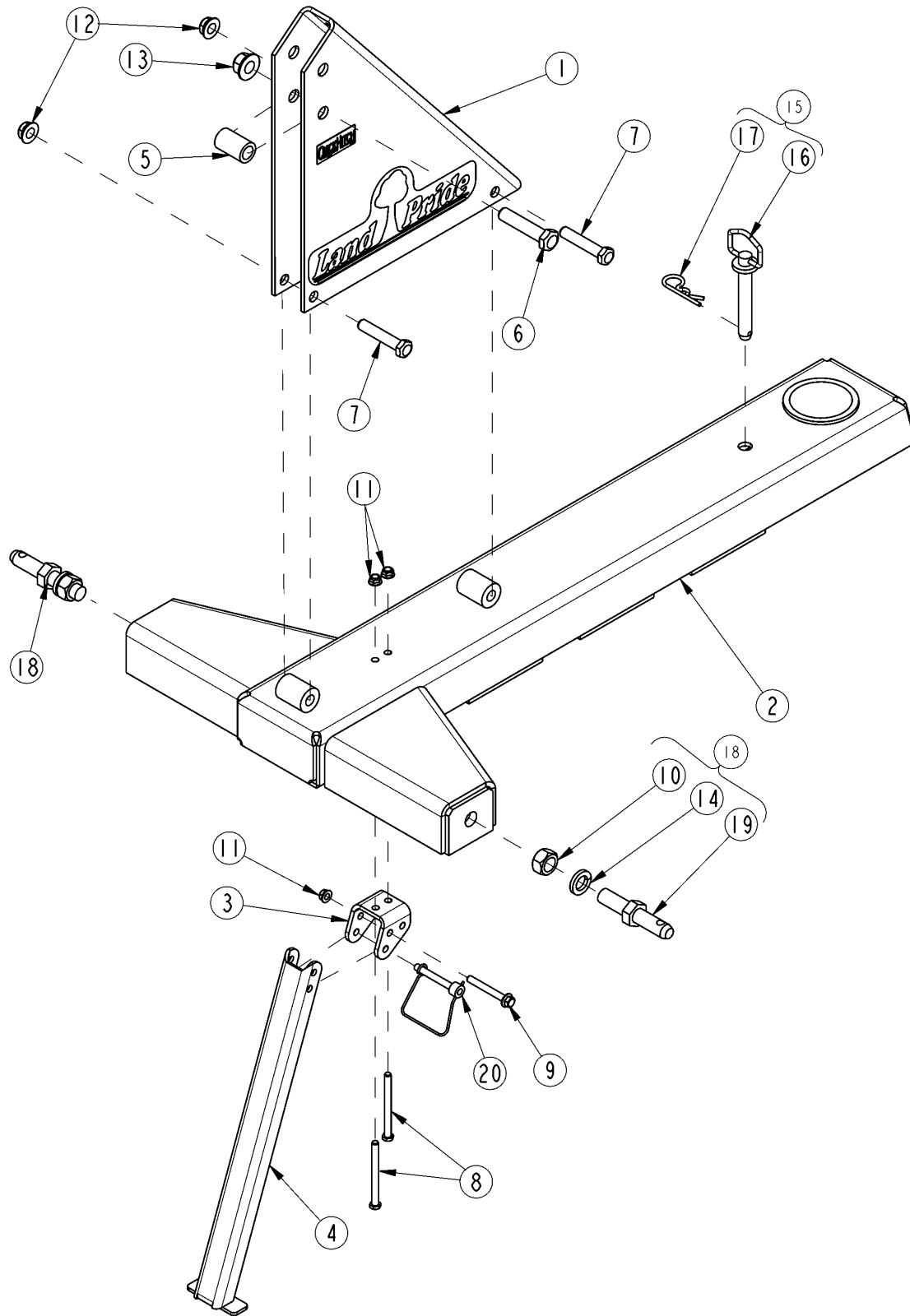
Skid Shoes

Applies to RB1660, RB1672, RB1684

Ref	Part No.	Part Description	Comments	Revision
	dwg33264	Drawing Image Number		
	301-330A	SKID SHOE ASSEMBLY	Includes 2 skid shoe assemblies (2 of Items 1-5)	
		*		
1.	301-013H	SKID SHOE		
2.	301-331H	SKID SHOE MOUNT WELD ASSY		
3.	801-046C	SCRW SET SQ HD1/2-13X2 GR5 PLT		
4.	803-020C	NUT HEX 1/2-13 PLT		
5.	805-020C	PIN COTTER 1/4 X 1 PLT		

Frame & Hitch

Applies to RB2672, RB2684, RB2696



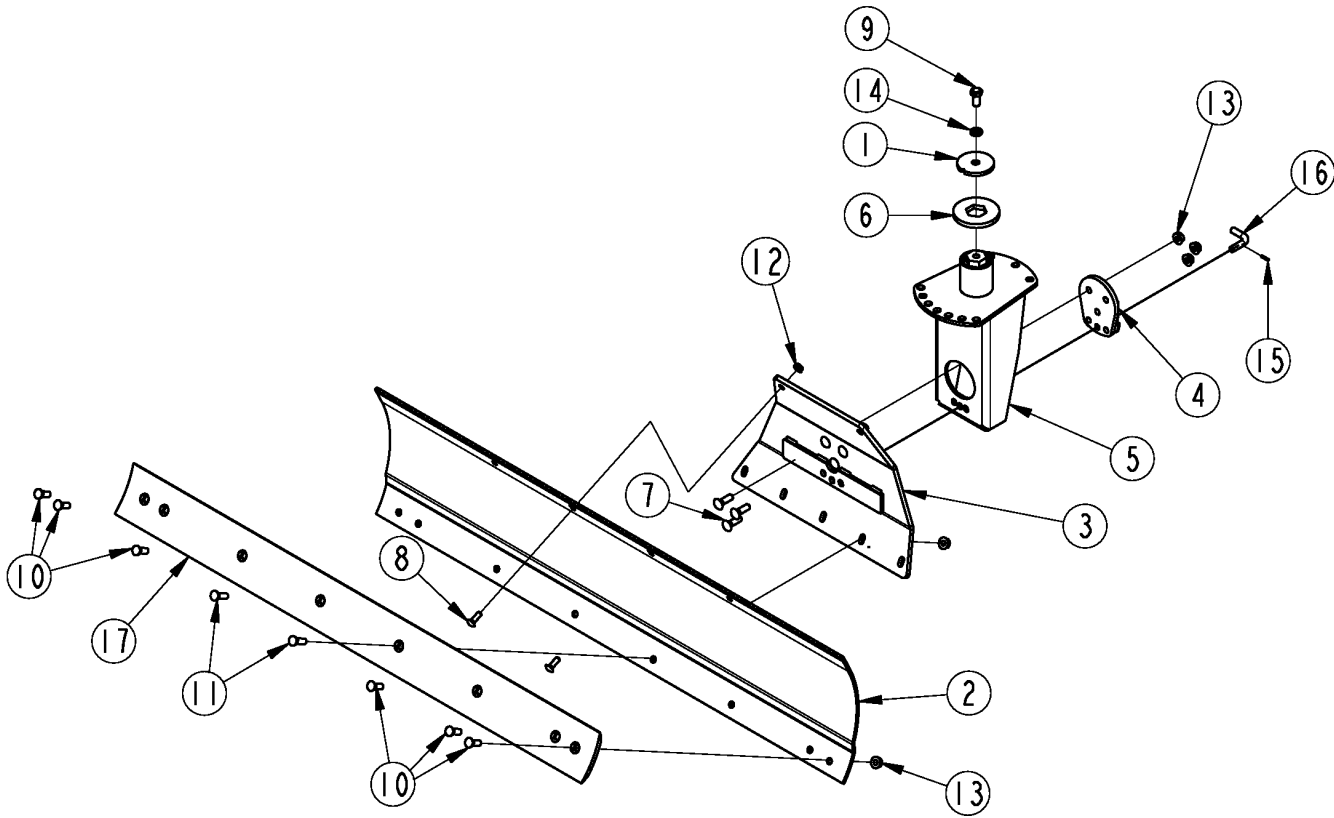
33359

Frame & Hitch**Applies to RB2672, RB2684, RB2696**

Ref	Part No.	Part Description	Comments	Revision
	dwg33359	Drawing Image Number		
1.	300-125S	25 UPPER HITCH W/DECALS		
1.	300-125S81	25 UPPER HITCH W/DECALS GREEN		
1.	300-125S82	25 UPPER HITCH W/DECALS ORANGE		
2.	300-245H	WLDMNT, RB26 SERIES FRAME		
2.	300-245H81	WLDMNT, RB26 GREEN FRAME		
2.	300-245H82	WLDMNT, RB26 ORANGE FRAME		
3.	300-487D	MOUNT, RB16/26/36 SUPPORT STND		
4.	300-504D	STAND, RB26/36 SUPPORT		
5.	308-400D	SPACER 1 1/4OD X 13/16ID X 2LG		
6.	802-066C	HHCS 3/4-10X3 1/2 GR5		
7.	802-160C	HHCS 5/8-11X3 1/4 GR5		
8.	802-750C	HHCS 3/8-16X4 1/4 GR5		
9.	802-934C	HFS 3/8-16X3 GR5 ZNYCR		
10.	803-149C	NUT HEX 7/8-14 PLT		
11.	803-209C	NUT FLANGE LOCK 3/8-16 PLT		
12.	803-263C	NUT HEX FLANGE LOCK 5/8-11 PLT		
13.	803-299C	NUT HEX FLG TOP LK 3/4-10 PLT		
14.	804-037C	WASHER LOCK SPRING 7/8 PLT		
15.	805-081C	PIN HITCH 3/4 X 4 3/8		
16.	N/A	PIN HITCH 3/4 X 4 3/8		
17.	805-088C	PIN, HAIR COTTER 3/16 WIRE DIA		
18.	805-111C	PIN DRAW 7/8 X 5		
19.	N/A	PIN DRAW 7/8 X 5		
20.	805-212C	PIN WIRE SNAP LOCK 3/8 X 2 1/2		

Blade Components S/N _____ to 985649

Applies to RB2672, RB2684, RB2696



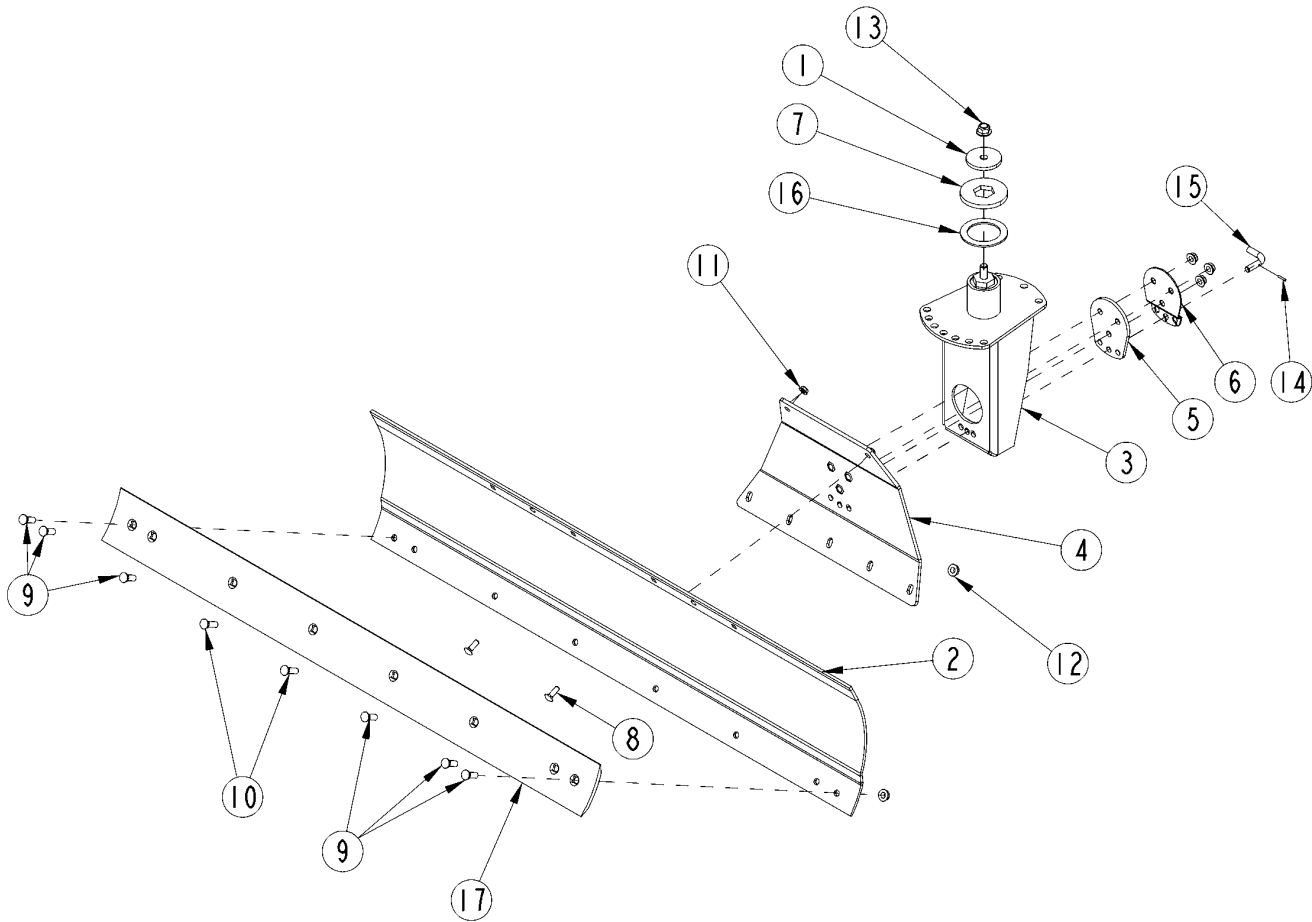
35489

Blade Components S/N _____ to 985649**Applies to RB2672, RB2684, RB2696**

Ref	Part No.	Part Description	Comments	Revision
	Dwg 35489	Drawing Image Number		
1.	301-240D	40 PIVOT CAP	S/N 911765+	
1.	301-303D	RETAINER CAP	S/N 911764-	
2.	301-358D	6' -25 SERIES MOLDBOARD		
2.	301-359D	7' -25 SERIES MOLDBOARD		
2.	301-360D	8' -25 SERIES MOLDBOARD		
3.	301-381H	WLDMNT, RB26 MOLDBOARD MOUNT		
4.	301-419H	WLDMNT, RB16/26 PIVOT CAP		
5.	301-448H	RPBY 301-522S		
6.	301-466D	PLATE, HEX DRIVE PIVOT CAP		
7.	802-088C	RHSNB 5/8-11X2 GR5	Service Part Grinding & Welding Required	
8.	802-106C	RHSNB 1/2-13X1 1/2 GR5		
9.	802-184C	HHCS 3/4-10X1 1/2 GR5		
10.	802-206C	PLOW 5/8-11X1 3/4 GR5		
11.	802-288C	PLOW 5/8-11X2 GR5		
12.	803-037C	NUT HEX WHIZ 1/2-13 PLT		
12.	803-169C	NUT HEX FLG LOCK 1/2-13 PLT		
13.	803-304C	NUT HEX WHIZ 5/8-11 PLT	S/N 815206+	
13.	803-263C	NUT HEX FLANGE LOCK 5/8-11 PLT	S/N 815205-	
14.	804-023C	WASHER LOCK SPRING 3/4 PLT		
15.	805-022C	PIN ROLL 3/16 X 1 PLT		
16.	805-440C	PIN BENT .63X1.41 USBL		
17.	820-043C	GRADER BLADE 1/2 X 6 X 71 1/2		
17.	820-046C	GRADER BLADE 1/2 X 6 X 83 1/2		
17.	820-035C	GRADER BLADE 1/2 X 6 X 95 1/2		

Blade Components S/N 762812-

Applies to RB2672, RB2684, RB2696



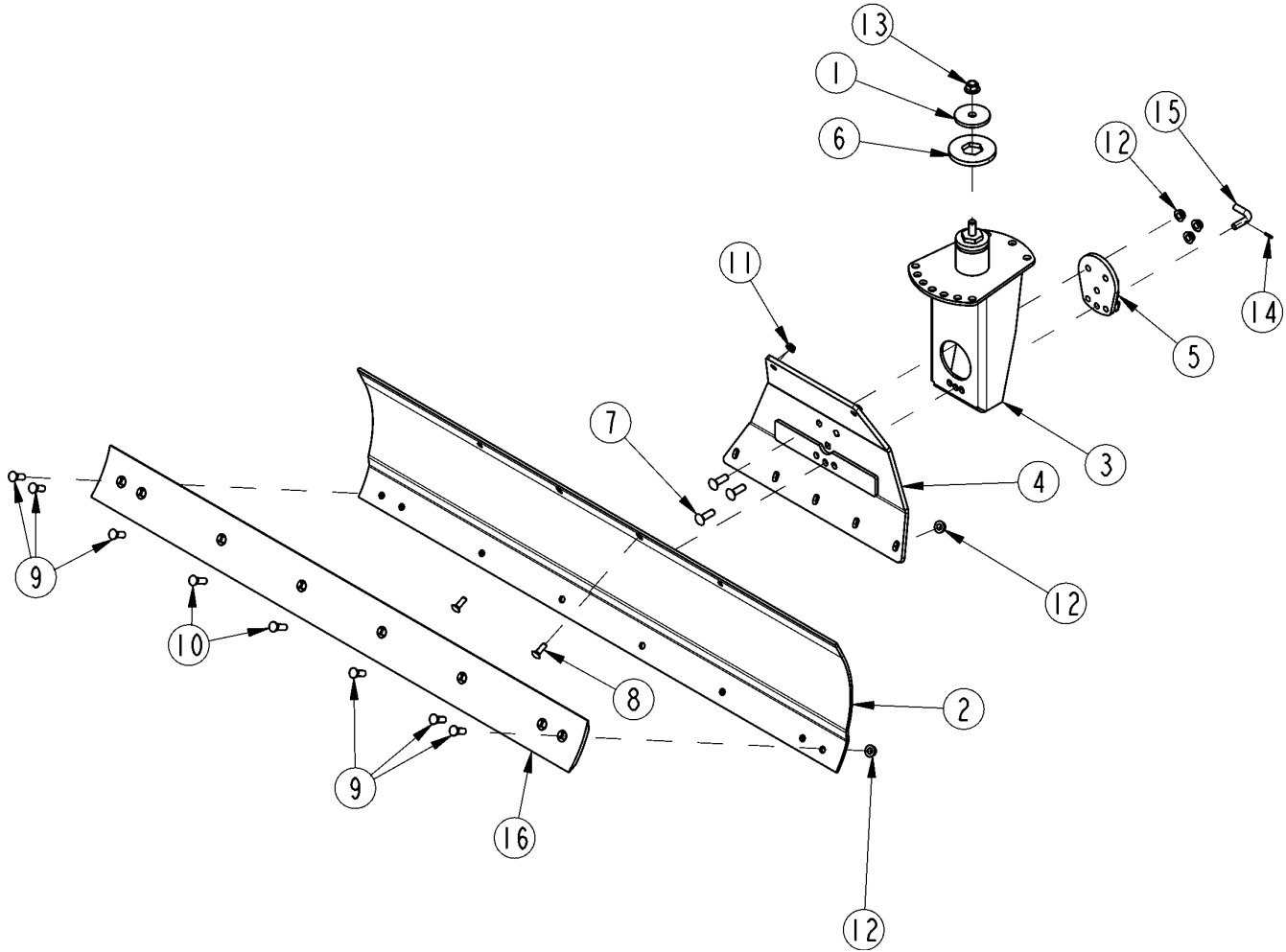
33360

Blade Components S/N 762812-**Applies to RB2672, RB2684, RB2696**

Ref	Part No.	Part Description	Comments	Revision
	Dwg 33360	Drawing Image Number		
1.	301-303D	RETAINER CAP		
2.	301-358D	6' -25 SERIES MOLDBOARD		
2.	301-359D	7' -25 SERIES MOLDBOARD		
2.	301-360D	8' -25 SERIES MOLDBOARD		
3.	301-377H	WLDMNT, RB26 MOLDBOARD CARRIER		
4.	301-381H	WLDMNT, RB26 MOLDBOARD MOUNT	Replace W/ 301-427S (S/N 756342+)	
5.	N/A	PLATE, MOLDBOARD TILT CAP	Replace W/ 301-419H (S/N 756342+)	
6.	N/A	PLATE, TILT LOCK PIN KEEPER	Replace W/ 301-419H (S/N 756342+)	
7.	301-466D	PLATE, HEX DRIVE PIVOT CAP		
8.	802-106C	RHSNB 1/2-13X1 1/2 GR5		
9.	802-206C	PLOW 5/8-11X1 3/4 GR5		
10.	802-288C	PLOW 5/8-11X2 GR5		
11.	803-037C	NUT HEX WHIZ 1/2-13 PLT	S/N 821298+	
11.	803-169C	NUT HEX FLG LOCK 1/2-13 PLT	S/N 821297-	
12.	803-304C	NUT HEX WHIZ 5/8-11 PLT	S/N 815206+	
12.	803-263C	NUT HEX FLANGE LOCK 5/8-11 PLT	S/N 815205-	
13.	803-299C	NUT HEX FLG TOP LK 3/4-10 PLT		
14.	805-022C	PIN ROLL 3/16 X 1 PLT		
15.	805-440C	PIN, 5/8 X 1 13/32 USBL BENT		
16.	817-927C	BUSHING, CARRIER TUBE CAP		
17.	820-043C	GRADER BLADE 1/2 X 6 X 71 1/2		
17.	820-046C	GRADER BLADE 1/2 X 6 X 83 1/2		
17.	820-035C	GRADER BLADE 1/2 X 6 X 95 1/2		

Blade Components S/N 762813 to _____

Applies to RB2672, RB2684, RB2696



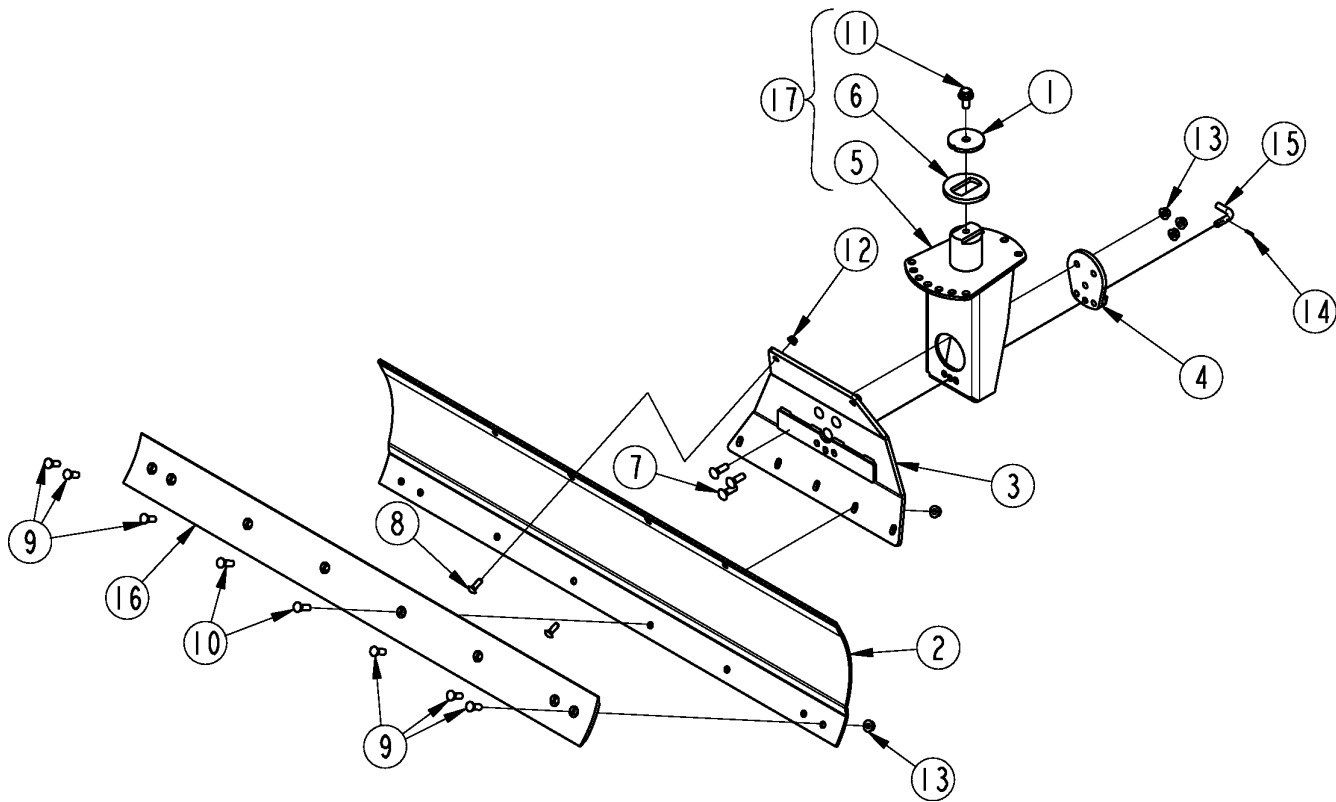
35075

Blade Components S/N 762813 to _____**Applies to RB2672, RB2684, RB2696**

Ref	Part No.	Part Description	Comments	Revision
	Dwg 35075	Drawing Image Number		
1.	301-303D	RETAINER CAP		
2.	301-358D	6' -25 SERIES MOLDBOARD		
2.	301-359D	7' -25 SERIES MOLDBOARD		
2.	301-360D	8' -25 SERIES MOLDBOARD		
3.	301-377H	WLDMNT, RB26 MOLDBOARD CARRIER		
4.	301-381H	WLDMNT, RB26 MOLDBOARD MOUNT		
5.	301-419H	WLDMNT, RB16/26 PIVOT CAP		
6.	301-466D	PLATE, HEX DRIVE PIVOT CAP		
7.	802-088C	RHSNB 5/8-11X2 GR5		
8.	802-106C	RHSNB 1/2-13X1 1/2 GR5		
9.	802-206C	PLOW 5/8-11X1 3/4 GR5		
10.	802-288C	PLOW 5/8-11X2 GR5		
11.	803-169C	NUT HEX FLG LOCK 1/2-13 PLT		
12.	803-263C	NUT HEX FLANGE LOCK 5/8-11 PLT		
13.	803-299C	NUT HEX FLG TOP LK 3/4-10 PLT		
14.	805-022C	PIN ROLL 3/16 X 1 PLT		
15.	805-440C	PIN, 5/8 X 1 13/32 USBL BENT		
16.	820-043C	GRADER BLADE 1/2 X 6 X 71 1/2		
16.	820-046C	GRADER BLADE 1/2 X 6 X 83 1/2		
16.	820-035C	GRADER BLADE 1/2 X 6 X 95 1/2		

Blade Components S/N 985650+

Applies to RB2672, RB2684, RB2696



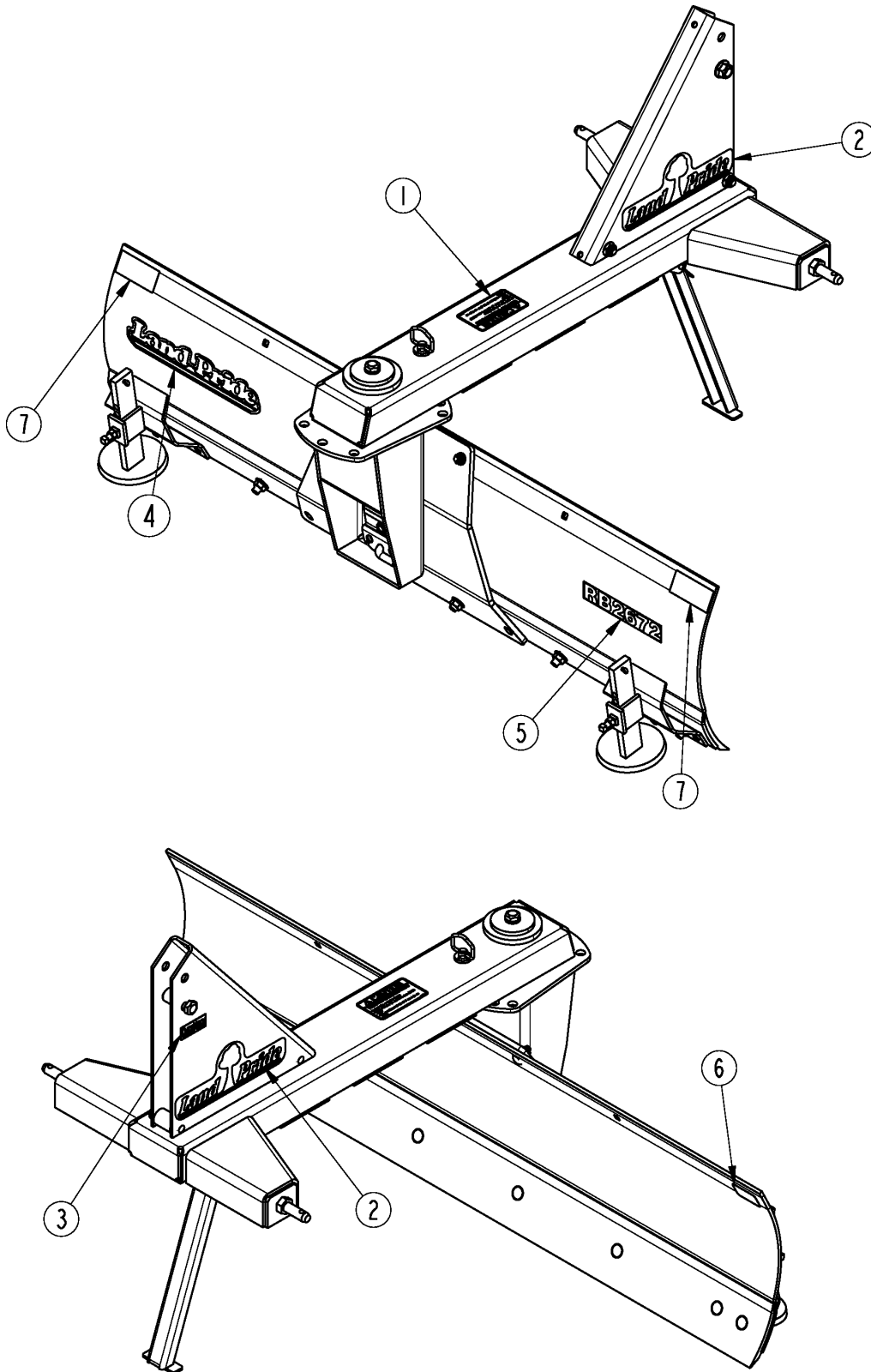
39379

Blade Components S/N 985650+**Applies to RB2672, RB2684, RB2696**

Ref	Part No.	Part Description	Comments	Revision
	Dwg 39379	Drawing Image Number		
1.	301-240D	40 PIVOT CAP		
2.	301-358D	6' -25 SERIES MOLDBOARD		
2.	301-359D	7' -25 SERIES MOLDBOARD		
2.	301-360D	8' -25 SERIES MOLDBOARD		
3.	301-381H	WLDMNT, RB26 MOLDBOARD MOUNT		
4.	301-419H	WLDMNT, RB16/26 PIVOT CAP		
5.	301-521H	RB26 MOLDBOARD CARRIER		
6.	301-637D	DRIVE PIVOT CAP		
7.	802-088C	RHSNB 5/8-11X2 GR5	Service Part Grinding & Welding Required	
8.	802-106C	RHSNB 1/2-13X1 1/2 GR5		
9.	802-206C	PLOW 5/8-11X1 3/4 GR5		
10.	802-288C	PLOW 5/8-11X2 GR5		
11.	802-897C	HFS 3/4-10X1 1/2 GR 5 PLT		
12.	803-037C	NUT HEX WHIZ 1/2-13 PLT		
13.	803-304C	NUT HEX WHIZ 5/8-11 PLT		
14.	805-022C	PIN ROLL 3/16 X 1 PLT		
15.	805-440C	PIN BENT .63X1.41 USBL		
16.	820-043C	GRADER BLADE 1/2 X 6 X 71 1/2		
16.	820-046C	GRADER BLADE 1/2 X 6 X 83 1/2		
16.	820-035C	GRADER BLADE 1/2 X 6 X 95 1/2		
17.	301-522S	KIT, RB26 MOLDBOARD CARRIER		

Decal Placement

Applies to RB2672, RB2684, RB2696



33361

Decal Placement**Applies to RB2672, RB2684, RB2696**

Ref	Part No.	Part Description	Comments	Revision
	dwg33361	Drawing Image Number		
1.	818-202C	DECAL CAUTION FALL MBOARD/RAKE		
2.	818-891C	RPBY 838-962C	Beige Unit	
2.	838-962C	DECAL LP 13" W/TREE BROWN/GOLD	Green & Orange Unit	
3.	838-517C	DECAL QUICK HITCH SYSTEM		
4.	838-965C	DECAL LANDPRIDE 16" BROWN/GOLD		
5.	848-821C	DECAL, RB2672 BEIGE		
5.	848-822C	DECAL, RB2684 BEIGE		
5.	848-823C	DECAL, RB2696 BEIGE		
6.	818-229C	DECAL AMBER REFLECTOR	S/N 821693-	
7.	858-095C	DECAL REFLECTOR RED 2X4.5	RB2672 S/N 821694+	
7.	838-614C	DECAL REFLECTOR RED 2X9	RC2684 & RB2696 S/N 821694+	
7.	818-230C	DECAL RED REFLECTOR	S/N 821693-	

Land Pride Touch-up Paints

Applies to RB2672, RB2684, RB2696

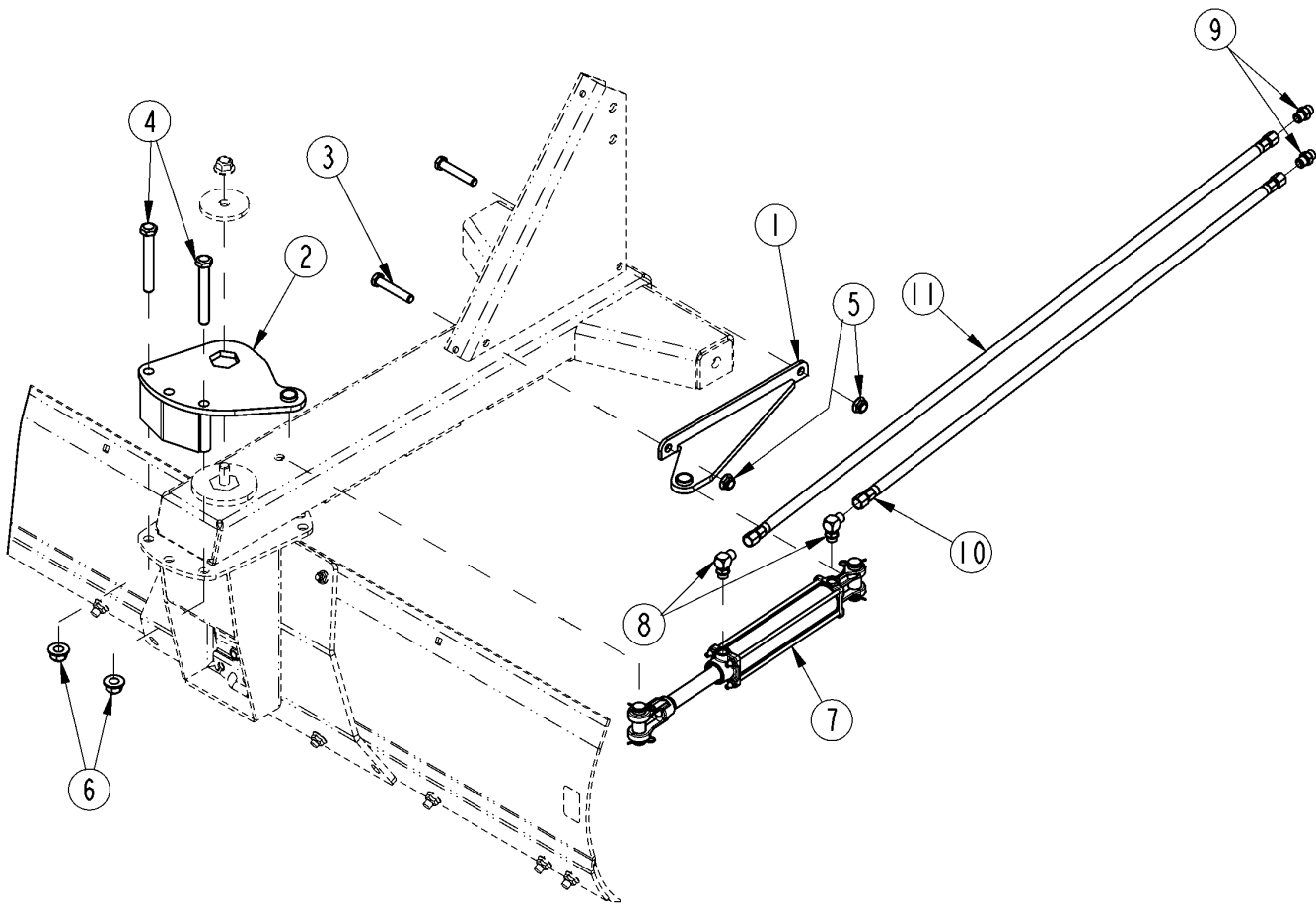
No diagram associated with this Parts List

Land Pride Touch-up Paints**Applies to RB2672, RB2684, RB2696**

Ref	Part No.	Part Description	Comments	Revision
1.	821-011C	LP BEIGE SPRAY CAN	Spray can	
1.	821-070C	GLOSS BLACK SPRAY CAN	Spray can	
1.	821-054C	MED. RED SPRAY TRCK/CTR	Spray can	
1.	821-058C	GREEN SPRAY CUTTERS	Spray can	
1.	821-066C	ORANGE SPRAY CAN	Spray can	
1.	821-067C	BLUE SPRAY CAN	Spray can	
1.	821-080C	PAINT ALUMINUM/ZINC SPRAY CAN	Spray can	
2.	821-011CTU	LP BEIGE TOUCH-UP 5OZ	Touch-up bottle with brush	
2.	821-070CTU	GLOSS BLACK TOUCH-UP 5OZ	Touch-up bottle with brush	
2.	821-054CTU	MED RED TOUCH-UP 5OZ	Touch-up bottle with brush	
2.	821-058CTU	GREEN TOUCH-UP 5OZ	Touch-up bottle with brush	
2.	821-066CTU	ORANGE TOUCH-UP 5OZ	Touch-up bottle with brush	
2.	821-067CTU	BLUE TOUCH-UP 5OZ	Touch-up bottle with brush	
2.	821-080CTU	PAINT ALUMINUM/ZINC TOUCH UP	Touch-up bottle with brush	
3.	821-011CQT	LP BEIGE QUART	Quart can	
3.	821-070CQT	GLOSS BLACK QUART	Quart can	
3.	821-054CQT	MED RED QUART	Quart can	
3.	821-058CQT	GREEN QUART	Quart can	
3.	821-066CQT	ORANGE QUART	Quart can	
3.	821-067CQT	BLUE QUART	Quart can	
3.	821-080CQT	PAINT ALUMINUM/ZINC QUART	Quart can	
4.	821-011CGL	LP BEIGE GALLON	Gallon can	
4.	821-070CGL	GLOSS BLACK GALLON	Gallon can	
4.	821-054CGL	MED RED GALLON	Gallon can	
4.	821-058CGL	GREEN GALLON	Gallon can	
4.	821-066CGL	ORANGE GALLON	Gallon can	
4.	821-067CGL	BLUE GALLON	Gallon can	
4.	821-080CGL	PAINT ALUMINUM/ZINC GALLON	Gallon can	

Hydraulic Angle Option S/N 985649-

Applies to RB2672, RB2684, RB2696



33416

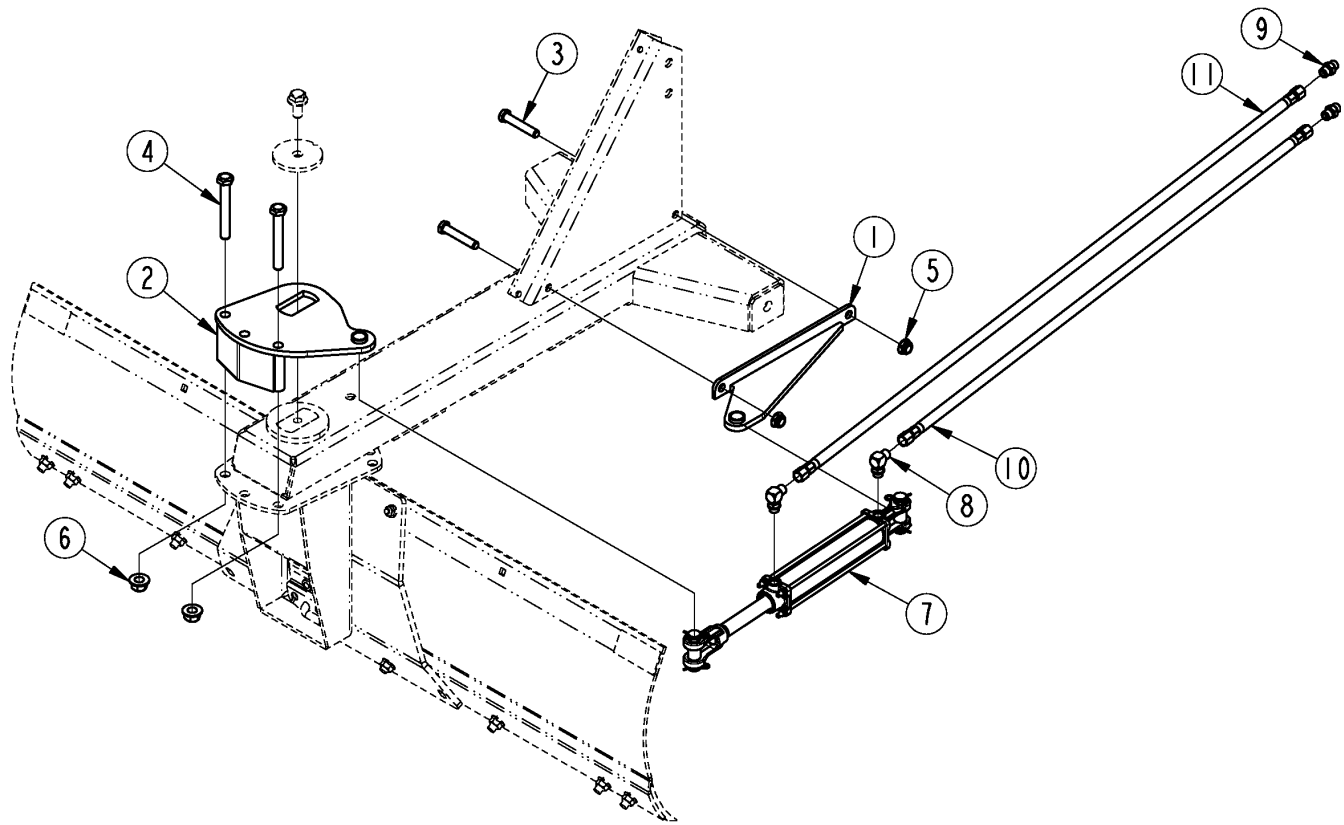
Hydraulic Angle Option S/N 985649-

Applies to RB2672, RB2684, RB2696

Ref	Part No.	Part Description	Comments	Revision
	dwg33416	Drawing Image Number		
	301-426A	KIT, RB/LR26 HYDRAULIC ANGLE *	S/N 758065- May Require Grinding	
1.	301-403H	WLDMNT, RB26 FRNT CYL MOUNT		
2.	301-424H	WLDMNT. RB16/26 HYD ANG PLATE		
3.	802-162C	HHCS 5/8-11X3 1/2 GR5		
4.	802-594C	HHCS 3/4-10X5 1/2 GR5		
5.	803-263C	NUT HEX FLANGE LOCK 5/8-11 PLT		
6.	803-299C	NUT HEX FLG TOP LK 3/4-10 PLT		
7.	810-746C	CYL 2X10X1.12 ROD (TIE)		
8.	811-063C	EL 3/4MJIC 3/4MORB		
9.	811-088C	AD 3/4MORB 3/4MJIC		
10.	841-590C	HH3/8R2 054 3/4FJIC E-Z FLEX		
11.	841-591C	HH3/8R2 067 3/4FJIC E-Z FLEX		

Hydraulic Angle Option S/N 985650+

Applies to RB2672, RB2684, RB2696



39375

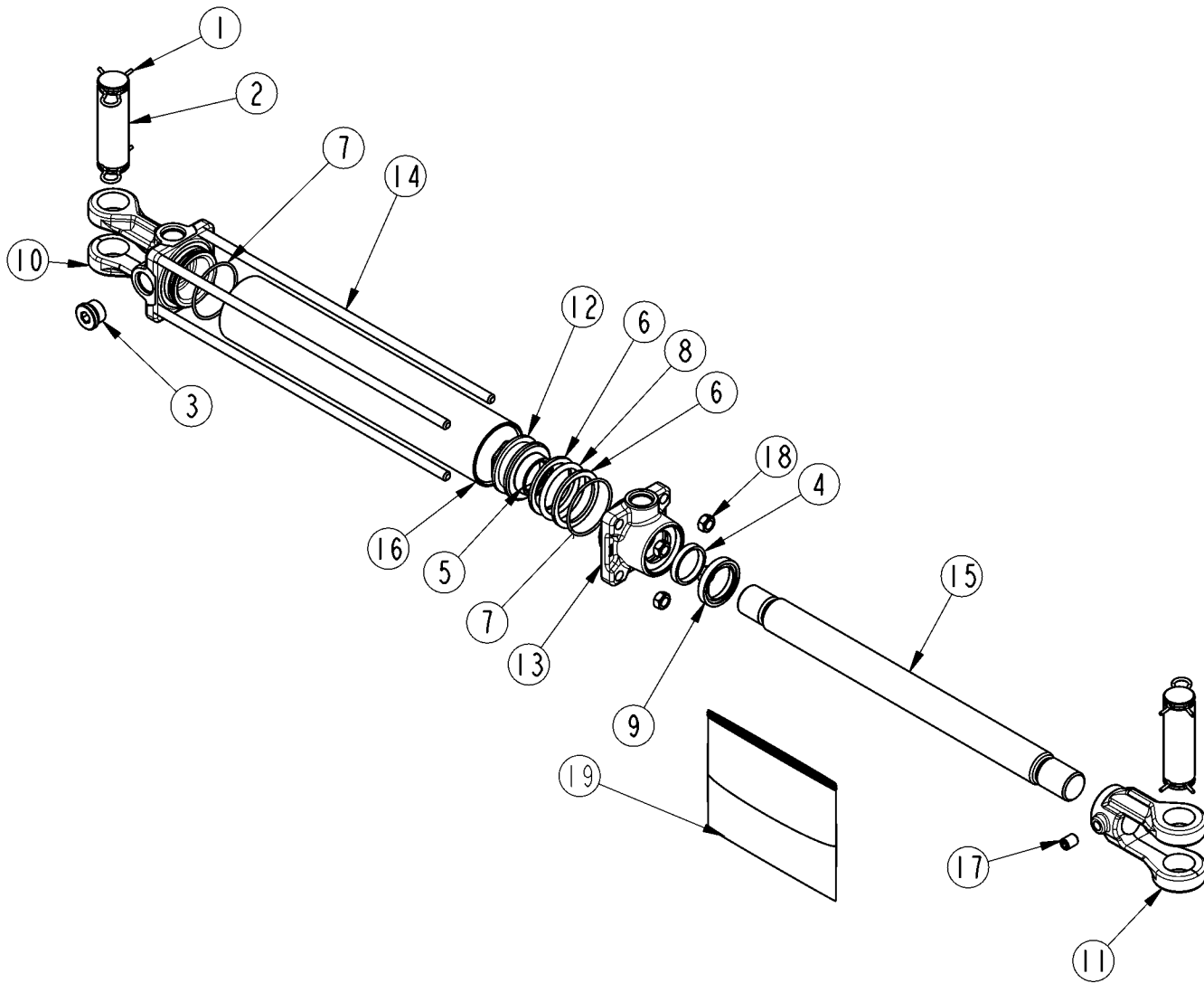
Hydraulic Angle Option S/N 985650+

Applies to RB2672, RB2684, RB2696

Ref	Part No.	Part Description	Comments	Revision
	dwg39375	Drawing Image Number		
	301-524A	RB/LR26 HYDRAULIC ANGLE KIT *		
1.	301-403H	WLDMNT, RB26 FRNT CYL MOUNT		
2.	301-523H	RB16/26 HYD ANG PLATE		
3.	802-162C	HHCS 5/8-11X3 1/2 GR5		
4.	802-594C	HHCS 3/4-10X5 1/2 GR5		
5.	803-263C	NUT HEX FLANGE LOCK 5/8-11 PLT		
6.	803-299C	NUT HEX FLG TOP LK 3/4-10 PLT		
7.	810-746C	CYL 2X10X1.12 ROD (TIE)		
8.	811-063C	EL 3/4MJIC 3/4MORB		
9.	811-088C	AD 3/4MORB 3/4MJIC		
10.	841-590C	HH3/8R2 054 3/4FJIC E-Z FLEX		
11.	841-591C	HH3/8R2 067 3/4FJIC E-Z FLEX		

Hydraulic Cylinder (810-746C)

Applies to RB2672, RB2684, RB2696



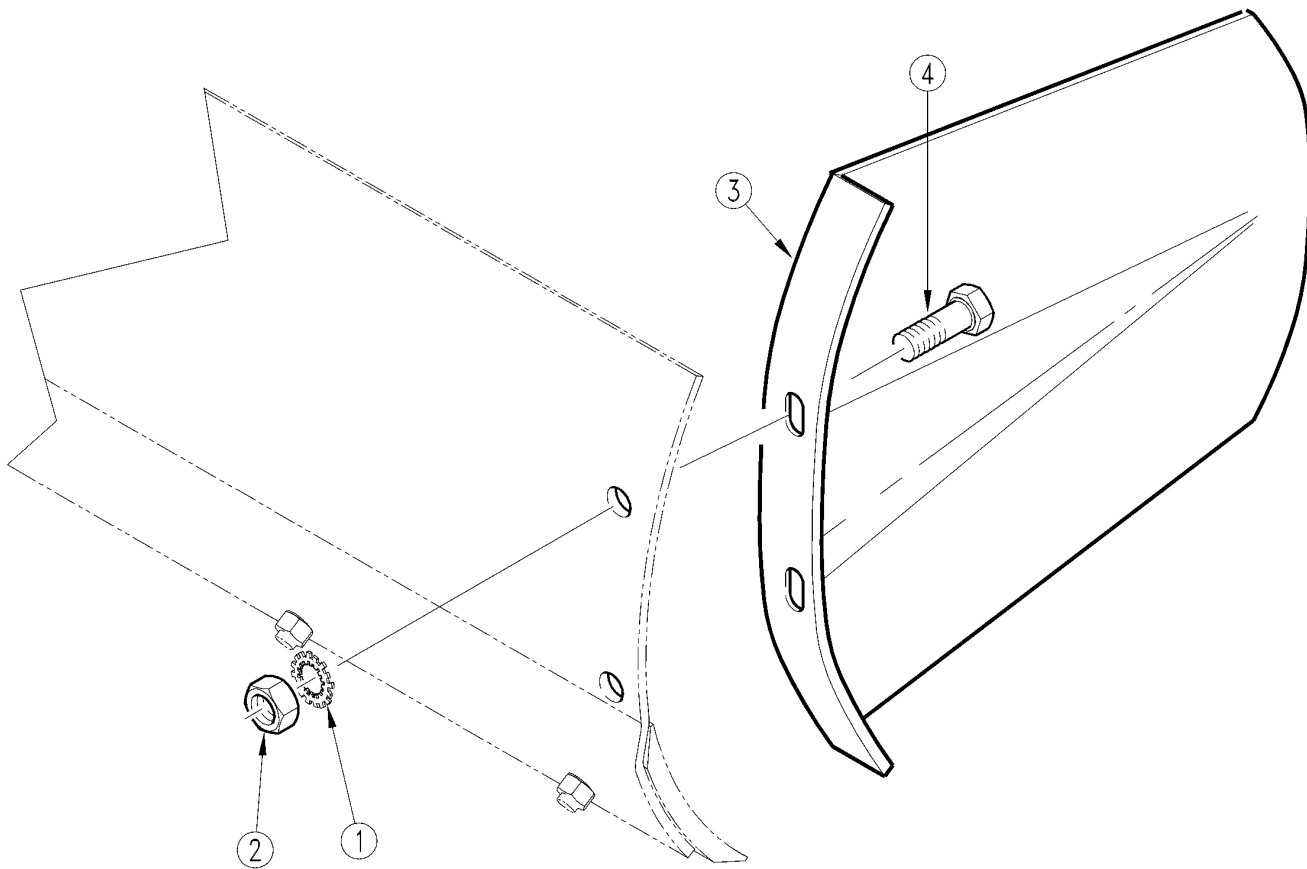
33417

Hydraulic Cylinder (810-746C)**Applies to RB2672, RB2684, RB2696**

Ref	Part No.	Part Description	Comments	Revision
	dwg33417	Drawing Image Number		
	810-746C	CYL 2X10X1.12 ROD (TIE) *		
1.	134952	LION PIN CLIP-CLEVIS		
2.	134953	LION PIN		
3.	186562	LION PLUG 3/4-16UNF SOCKET HD		
4.	N/A	MON SEAL HALLITE 605 ROD 1.13		
5.	N/A	MON O-RING 024 1.125X1.225 N90		
6.	N/A	MON SEAL BU#326 19PI-326		
7.	N/A	MON O-RING 133 1.812X2 BUNA D9		
8.	N/A	MON O-RING 326 1.63X2 D90		
9.	N/A	LION WIPER SEAL		
10.	293008	MON CLEVIS CAP 2.00-3/4ORD-1.0		
11.	293009	MON ROD CLEVIS 1.00-1.00 TX		
12.	293010	MON PISTON 2.00 TX		
13.	293016	MON ROD CAP 2.00-1.13-3/4 ORB		
14.	494178	MON TIE ROD 5/16-10 TX WASHED		
15.	497509	MON ROD 1.12-10-1.00-1.00 TX		
16.	498508	MON TUBE 2.00-10 TX CYL		
17.	801-023C	SCREW SET SH 3/8-16X3/8 TYPE C		
18.	803-008C	NUT HEX 5/16-18 PLT		
19.	810-252C	SEAL KIT LN 639572 2.0BX1.125R		

Side Plates

Applies to RB2672, RB2684, RB2696

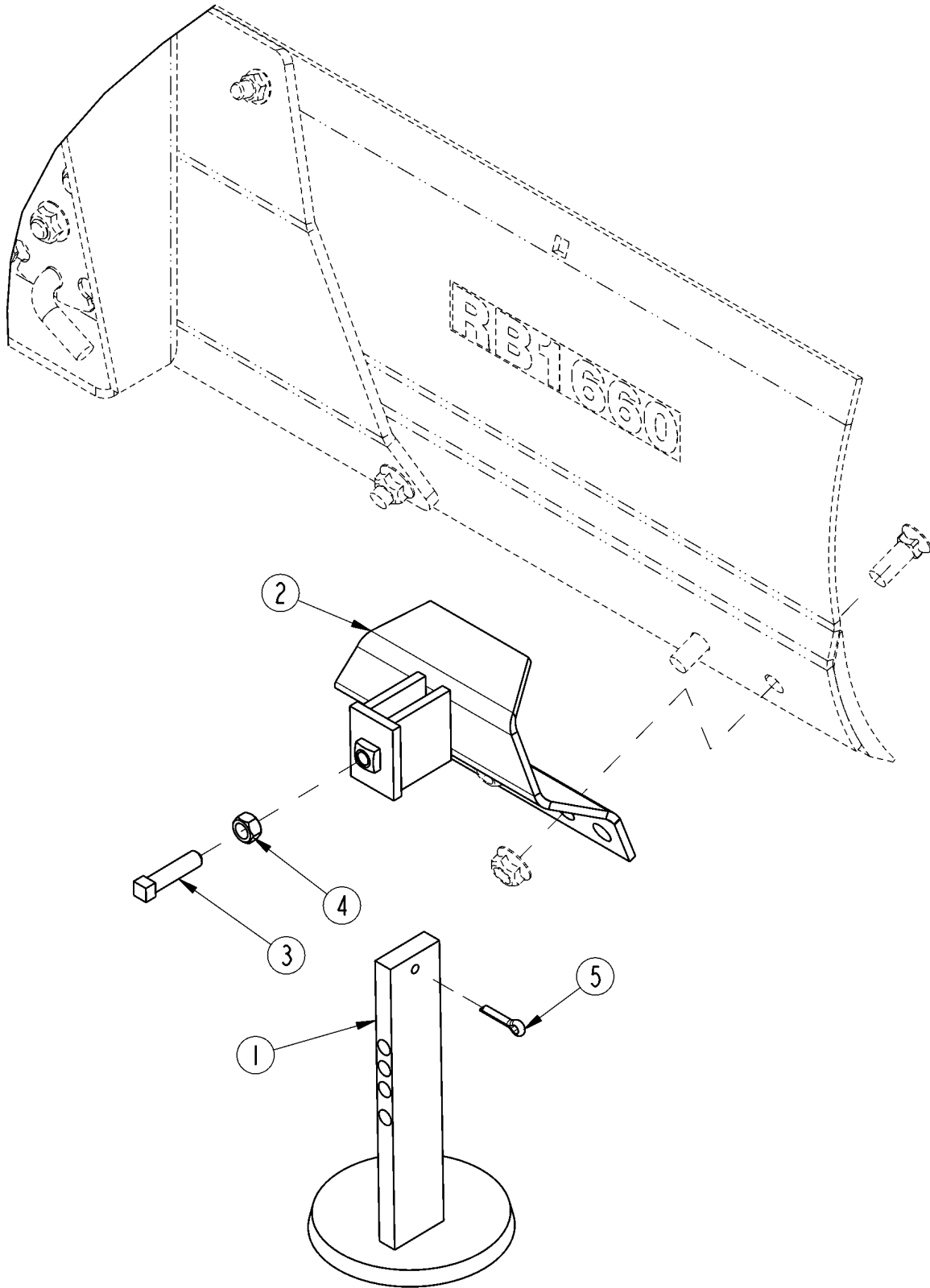


Side Plates**Applies to RB2672, RB2684, RB2696**

Ref	Part No.	Part Description	Comments	Revision
	dwg10331 301-010A	Drawing Image Number SIDE PLATE - PAIR		
			Includes two of item 3 and four of items 1; 2 and 4	
1.	804-065C	WASHER INT-EXT 1/2 PLT		
2.	803-020C	NUT HEX 1/2-13 PLT		
3.	301-011H	SIDE PLATE WELDMENT		
4.	802-091C	HHCS 1/2-13X1 1/2 GR5		

Skid Shoes

Applies to RB2672, RB2684, RB2696



33264

Skid Shoes

Applies to RB2672, RB2684, RB2696

Ref	Part No.	Part Description	Comments	Revision
	dwg33264	Drawing Image Number		
	301-330A	SKID SHOE ASSEMBLY	Includes 2 skid shoe assemblies (2 of Items 1-5)	
		*		
1.	301-013H	SKID SHOE		
2.	301-331H	SKID SHOE MOUNT WELD ASSY		
3.	801-046C	SCRW SET SQ HD1/2-13X2 GR5 PLT		
4.	803-020C	NUT HEX 1/2-13 PLT		
5.	805-020C	PIN COTTER 1/4 X 1 PLT		



Part Number Index

The Part Number Index is a numeric index of all part numbers included in this manual. The index shows what page(s) the part is used on.

Part Number	Page	Part Number	Page	Part Number	Page
134952	25, 47	802-160C	29	821-066C	19, 41
134953	25, 47	802-162C	43, 45	821-066CGL	19, 41
186562	25, 47	802-184C	31	821-066CQT	19, 41
293008	25, 47	802-206C	9, 11, 13, 15, 31, 33, 35, 37	821-066CTU	19, 41
293009	25, 47	802-236C	11, 13, 15	821-067C	19, 41
293010	25, 47	802-288C	9, 31, 33, 35, 37	821-067CGL	19, 41
293016	25, 47	802-594C	21, 23, 43, 45	821-067CQT	19, 41
300-124S	7	802-643C	7	821-067CTU	19, 41
300-124S81	7	802-656C	7	821-070C	19, 41
300-124S82	7	802-658C	21, 23	821-070CGL	19, 41
300-125S	29	802-750C	29	821-070CQT	19, 41
300-125S81	29	802-897C	15, 37	821-070CTU	19, 41
300-125S82	29	802-934C	7, 29	821-080C	19, 41
300-242H	7	803-008C	25, 47	821-080CGL	19, 41
300-242H81	7	803-020C	27, 49, 51	821-080CQT	19, 41
300-242H82	7	803-037C	13, 15, 31, 33, 37	821-080CTU	19, 41
300-245H	29	803-053C	9	838-517C	17, 39
300-245H81	29	803-149C	7, 29	838-614C	39
300-245H82	29	803-169C	7, 9, 11, 13, 21, 23, 31, 33, 35	838-962C	17, 39
300-487D	7, 29	803-209C	7, 29	838-965C	17, 39
300-488D	7	803-263C	9, 11, 13, 29, 31, 33, 35, 43, 45	841-590C	21, 23, 43, 45
300-504D	29	803-299C	7, 9, 11, 13, 21, 23, 29, 33, 35, 43, 45	841-591C	21, 23, 43, 45
301-010A	49	803-304C	13, 15, 31, 33, 37	848-751C	17
301-011H	49	804-023C	31	848-752C	17
301-013H	27, 51	804-037C	7, 29	848-753C	17
301-139D	9	804-065C	49	848-821C	39
301-240D	13, 15, 31, 37	805-017C	9	848-822C	39
301-303D	9, 11, 13, 31, 33, 35	805-020C	27, 51	848-823C	39
301-330A	27, 51	805-022C	9, 11, 13, 15, 31, 33, 35, 37	858-095C	39
301-331H	27, 51	805-081C	7, 29	Dwg 33129	9
301-355D	9, 11, 13, 15	805-088C	7, 29	Dwg 33360	33
301-356D	9, 11, 13, 15	805-111C	7, 29	Dwg 33387	11
301-357D	9, 11, 13, 15	805-212C	7, 29	Dwg 33387	11
301-358D	31, 33, 35, 37	805-440C	9, 11, 13, 15, 31, 33, 35, 37	Dwg 35074	13
301-359D	31, 33, 35, 37	810-252C	25, 47	Dwg 35075	35
301-360D	31, 33, 35, 37	810-746C	21, 23, 25, 43, 45, 47	Dwg 35489	31
301-371H	9, 11, 13	811-063C	21, 23, 43, 45	Dwg 39379	37
301-372H	9, 11, 13, 15	811-088C	21, 23, 43, 45	dwg10331	49
301-377H	33, 35	817-927C	9, 11, 13, 15, 33	dwg33128	7
301-381H	31, 33, 35, 37	818-202C	17, 39	dwg33130	17
301-402H	21, 23	818-229C	39	dwg33264	27, 51
301-403H	43, 45	818-230C	39	dwg33359	29
301-405K	9	818-891C	17, 39	dwg33361	39
301-419H	13, 15, 31, 35, 37	820-035C	31, 33, 35, 37	dwg33402	21
301-424H	21, 43	820-041C	9, 11, 13, 15	dwg33416	43
301-425A	21	820-043C	9, 11, 31, 33, 35, 37	dwg33417	25, 47
301-426A	43	820-046C	9, 11, 13, 15, 31, 33, 35, 37	dwg39374	23
301-448H	31	820-079C	13, 15	dwg39375	45
301-466D	9, 11, 13, 31, 33, 35	821-011C	19, 41	dwg39378	15
301-521H	37	821-011CGL	19, 41	N/A	7, 9, 11, 25, 29, 33, 47
301-522S	37	821-011CQT	19, 41		
301-523H	23, 45	821-011CTU	19, 41		
301-524A	45	821-054C	19, 41		
301-525H	15	821-054CGL	19, 41		
301-526A	23	821-054CQT	19, 41		
301-527S	15	821-054CTU	19, 41		
301-637D	15, 37	821-058C	19, 41		
308-400D	7, 29	821-058CGL	19, 41		
494178	25, 47	821-058CQT	19, 41		
497509	25, 47	821-058CTU	19, 41		
498508	25, 47				
801-023C	25, 47				
801-046C	27, 51				
802-066C	7, 29				
802-088C	31, 35, 37				
802-091C	49				
802-106C	9, 11, 13, 15, 31, 33, 35, 37				

This Page Intentionally Left Blank



Great Plains Manufacturing, Inc.

Corporate Office: P.O. Box 5060
Salina, Kansas 67402-5060 USA

www.landpride.com
