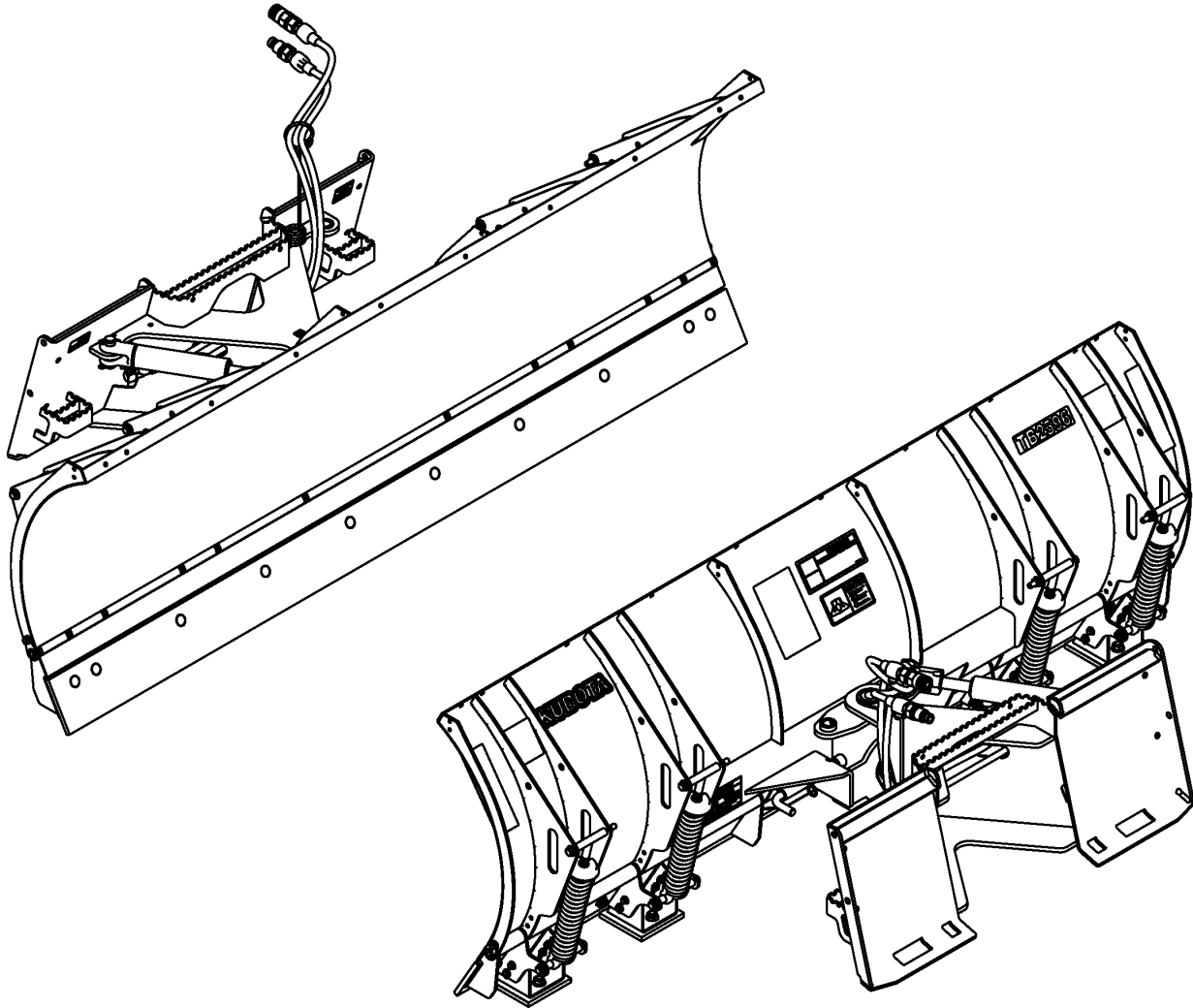


Trip Edge Blade

AP-TB2596 & AP-TB25108



37737

301-291PK
Parts Manual

Kubota®



Read the Operator's Manual entirely. When you see this symbol, the subsequent instructions and warnings are serious - follow without exception. Your life and the lives of others depend on it!

© Copyright 2017 Printed 12/21/17

Cover photo may show optional equipment not supplied with standard unit.



Table of Contents

Section 1: Introduction.....	4
Using This Manual.....	4
Manual Replacement Information.....	4
Manual Revisions.....	4
Touch-up Paint.....	4
Hardware Legend.....	5
Replacement Hardware.....	5
Serial Numbers.....	5
Part Number Service Coding.....	5
Section 2: Frame & Blade.....	6
Blade.....	6
Trip Components.....	6
Cutting Edge Poly.....	8
Cutting Edge Steel.....	10
Hitch.....	12
Section 3: Hydraulics.....	14
Hydraulic Components.....	14
Hydraulic Cylinder (810-601C) Midway.....	16
Hydraulic Cylinder (810-734C) Monarch.....	18
Section 4: Labels.....	20
Kubota Touch-up Paints.....	20
Label Placement.....	22
Section 5: Options & Accessories.....	24
Deflector.....	24
Top Edge.....	24
Marker Edge.....	26
Skid Shoe Service Kit.....	28
Part Number Index.....	30

© Copyright 2017. All rights reserved.

Kubota provides this publication “as is” without warranty of any kind, either expressed or implied. While every precaution has been taken in the preparation of this manual, Kubota assumes no responsibility for errors or omissions. Neither is any liability assumed for damages resulting from the use of the information contained herein. Kubota reserves the right to revise and improve its products as it sees fit. This publication describes the state of this product at the time of its publication, and may not reflect the product in the future. The illustrations in this manual are not intended for safe and proper assembly or disassembly of equipment. The illustrations are intended for ordering parts only.

Kubota is registered trademark.

All other brands and product names are trademarks or registered trademarks of their respective holders.

Printed in the United States of America.



Alphabetized Table of Contents

B	
Blade, Trip Components.....	6
C	
Cutting Edge Poly.....	8
Cutting Edge Steel.....	10
D	
Deflector, Top Edge.....	24
H	
Hitch.....	12
Hydraulic Components.....	14
Hydraulic Cylinder (810-601C) Midway.....	16
Hydraulic Cylinder (810-734C) Monarch.....	18
K	
Kubota Touch-up Paints.....	20
L	
Label Placement.....	22
M	
Marker Edge.....	26
S	
Skid Shoe Service Kit.....	28

General Information

Using This Manual

This manual is divided into sections. The first section contains General Information. The remaining sections divide the machine into segments (i.e. Frames, Drives, Hydraulics, etc.) which illustrate and list all parts. A Parts Number Index is located at the back of the book.

The Kubota parts in this manual are specially designed for this machine and should be replaced with Kubota parts only.

The information in this manual is current at time of printing. Some parts may change to assure top performance.

Right-hand and left-hand as used in this manual are determined by facing the direction the machine will travel while in use.

Below is an example of two facing pages from a parts manual. Familiarize yourself with the type of information contained on these pages.

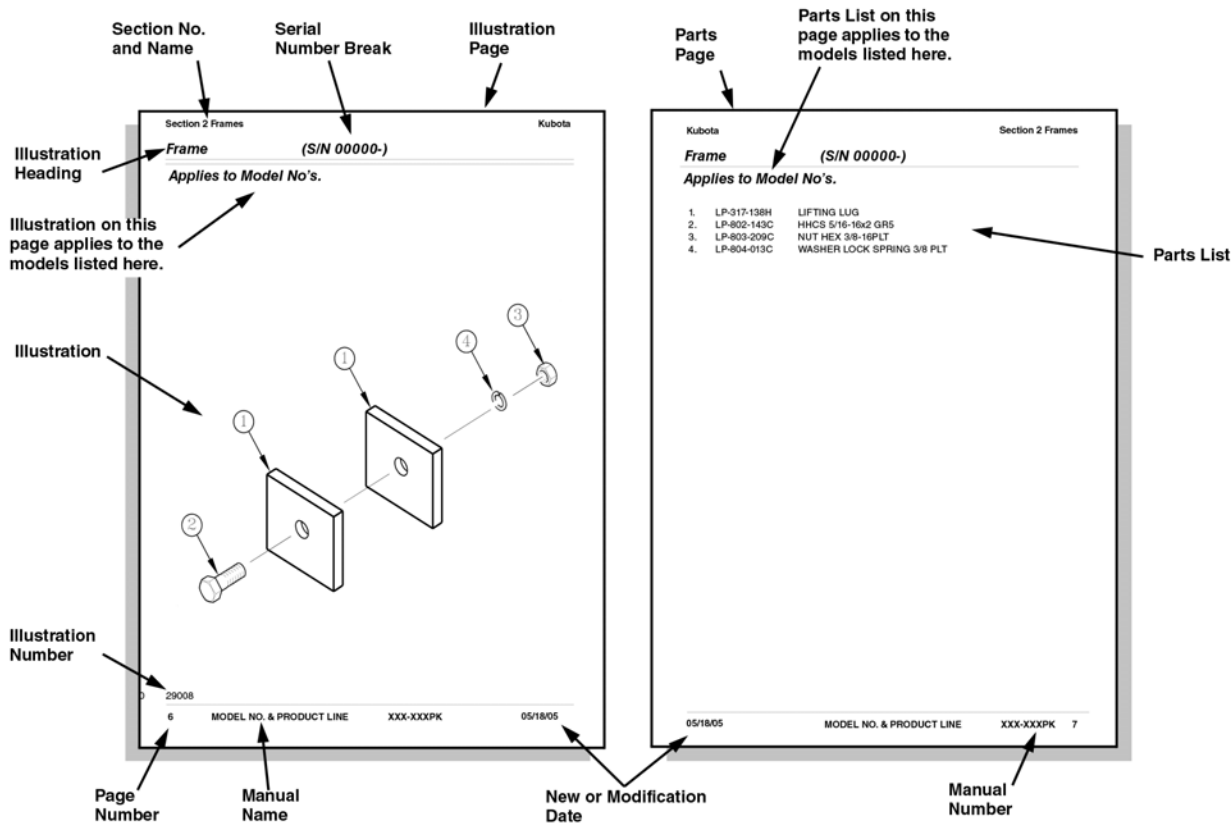
Manual Replacement Information

Replacement manuals are available. Refer to our website at www.landpride.com for additional information. Our website continues to provide the most up-to-date manuals available.

Touch-up Paint

Repaint parts where paint is worn or scratched to prevent rust. Kubota touch-up paints are available through your local Kubota dealer. Part numbers and color descriptions are listed below.

Part No.	Part Description
821-070C	GP Gloss black enamel spray can
821-070CTU	GP Gloss black enamel bottle with brush
821-070CQT	GP Gloss black enamel quart
821-070CGL	GP Gloss black enamel gallon



General Information

Hardware Legend

AR	As Required
BLADE	Blade Bolt
C	Cap Screw
CP	Cotter Pin
CPHSSS	Cup Point Hex Socket Set Screw
CPSHSS	Cup Point Square Head Set Screw
CPSQHSS	Cup Point Square Head Set Screw
CRFCHMS3	Cross Recess Flat Countersunk Head Machine Screw
CRPHMS	Cross Recess Pan Head Machine Screw
CRPHTFS	Cross Recess Pan Head Thread Forming
CRRHMS	Cross Recess Round Head Machine Screw
CRTHMS	Cross Recess Truss Head Machine Screw
CSNB	Countersunk Square Neck Bolt
FHMS	Flat Head Machine Screw
FTC	Full Thread Cap Screw
H	Hex Nut
HCLN	Hex Center Lock Nut
HFLCS	Hex Flange Lock Cap Screw
HFS	Hex Flange Screw
HFSLN	Hex Flange Serrated Lock Nut
HFSS	Hex Flange Serrated Screw
HHCS	Hex Head Cap Screw or Metric Bolt
HSBHCS	Hex Socket Button Head Cap Screw
HSFCHCS	Hex Socket Flat Countersunk Head Cap Screw
HSHCS	Hex Socket Head Cap Screw
HSSS	Hex Socket Head Screw
HTLN	Hex Top Lock Nut
HWHCS	Hex Washer Head Cap Screw

HWHMS	Hex Washer Head Machine Screw
HXBHCS	Hex Socket Button Head Cap Screw
J	Hex Jam Nut
JIC	37 Degree Tapered Thread
L	Helical Spring Lock Washer
LUG	Lug Bolt
NFC	National Fine Cap Screw
NPSM	National Pipe Straight Mechanical
NPTF	National Pipe Taper Fuel
P	Wide Plain Washer
PHMS	Pan Head Machine Screw
PLOW	Plow Bolt
RHMS	Round Head Machine Screw
RHSNB	Round Head Square Neck Bolt
SCREW LEVELING	Leveling Screw
SCREW THUMB	Thumb Screw
SCREW WELD	Weld Screw
SFCHMS	Slotted Flat Countersunk Head Machine Screw
SFHMS	Slotted Fillister Head Machine Screw
SP	Special
SP SCREW	Special Screw
SQHSS	Square Head Set Screw
SRHMS	Slotted Round Head Machine Screw
SSS	Socket Set Screw
STCS	Self Tapping Cap Screw
STHMS	Slotted Truss Head Machine Screw
WHEEL	Wheel Studs and Hub Long Bolts
WING	Wing Bolt

Replacement Hardware

The **Hardware Legend** above lists hardware abbreviations used in the parts list. All bolts and nuts are Grade 5 unless otherwise noted. The use of improper grades of hardware can result in personal injury, damage to equipment, or loss of property.

Part Number Service Coding

Within the parts list some part numbers are coded for revisions and interchangeability. See notations in revision column.

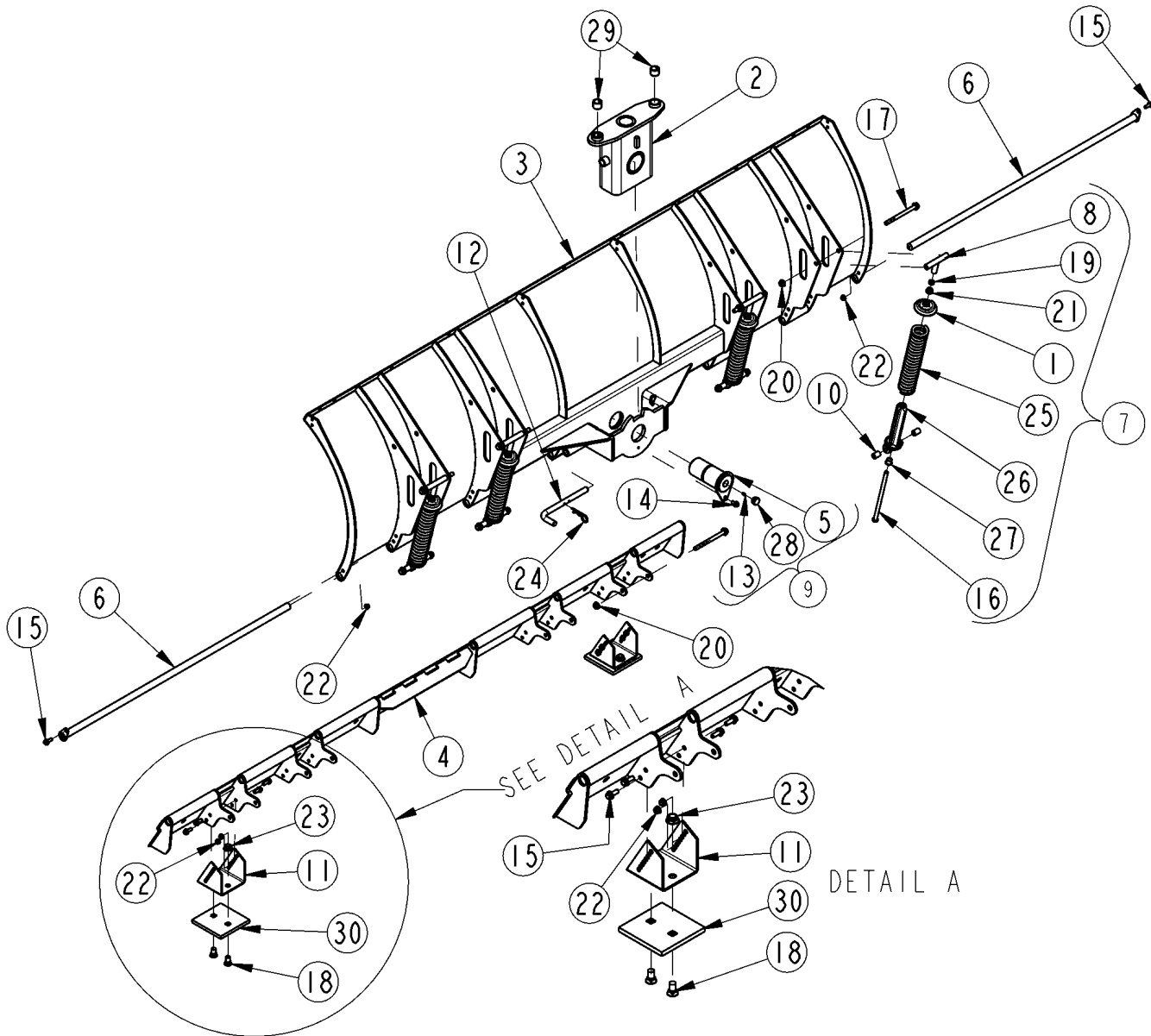
Serial Numbers

Always use the serial and model number when ordering parts. Refer to the Operator's Manual for serial number plate location.

- (S/N 20001+) Includes serial numbers 20001 and above (to the latest number)
- (S/N 10001 to 20000) Includes serial numbers between and including 10001 and 20000
- (S/N 10000-) Includes serial numbers 10000 and below (to the earliest number)

Blade, Trip Components

Applies to AP-TB25108, AP-TB2596



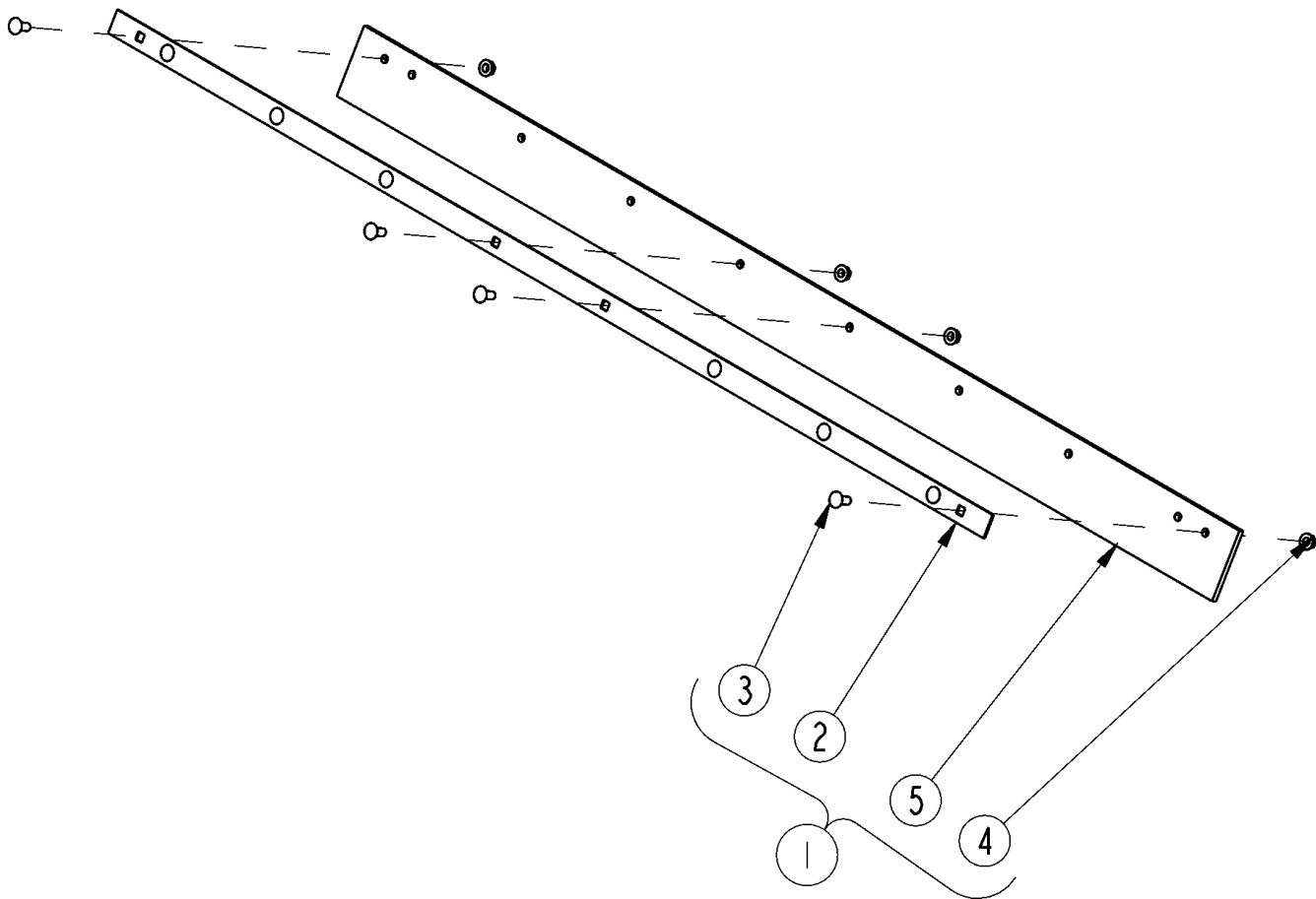
33393

Blade, Trip Components**Applies to AP-TB25108, AP-TB2596**

Ref	Part No.	Part Description	Comments	Revision
	Dwg 33393	Drawing Image Number		
1.	121-154D	SPRING STOP STAMPING		
2.	301-260H	WELDMENT, ATTACHMENT PIVOT		
3.	301-262H	WELDMENT, 108" MOLDBOARD		
3.	301-265H	WELDMENT, 96" MOLDBOARD		
4.	301-263H	WELDMENT, 108" TRIP EDGE		
4.	301-266H	WELDMENT, 96" TRIP EDGE		
5.	301-277H	WLDMNT, 2.75X6 GREASE PIN		
6.	301-288H	WLDMNT, TRIP EDGE PIVOT ROD		
7.	301-297V	ASSEMBLY, TRIP EDGE SPRING		
8.	301-298H	WLDMNT, SPRING CONNECTOR		
9.	301-300S	ASSEMBLY, 2.75X6 GREASE PIVOT		
10.	301-348D	SPACER, LOWER SPRING MOUNT		
11.	301-456D	MOUNT, TB25 SKID SHOE		
12.	357-394D	PIN, AXLE PIVOT CONTROL		
13.	800-080C	GREASE ZERK 1/4-28 THD FORMING		
14.	802-185C	HFSS 3/8-16X3/4 LG		
15.	802-388C	HFS 3/8-16X1 GR5		
16.	802-550C	HHCS 1/2-13X10 SPTHD GR8		
17.	802-745C	HFS 1/2-13X6 1/8GR5 PLT		
18.	802-813C	PLOW 5/8-11X1 1/4 GR5		
19.	803-036C	NUT HEX JAM 1/2-13 PLT		
20.	803-037C	NUT HEX WHIZ 1/2-13 PLT		
20.	803-169C	NUT HEX FLG LOCK 1/2-13 PLT		
21.	803-193C	NUT HEX FLANGE 1/2-13 GR G PLT		
22.	803-209C	NUT FLANGE LOCK 3/8-16 PLT		
23.	803-263C	NUT HEX FLANGE LOCK 5/8-11 PLT		
24.	805-088C	PIN, HAIR COTTER 3/16 WIRE DIA		
25.	807-262C	SPRING COMP 2.56ODX.393X12.875		
26.	812-236C	OPNR SPRING RD TRUNION CASTING		
27.	816-306C	PLUG, SPRING ROD CASTING		
28.	817-833C	PLUG, 1.125OD TUBE FINISH		
29.	890-005C	BUSHING CYL 1 1/4 X 1 X 1		
30.	891-249C	SHOE, 6X6X.5 AR400 SKID		

Cutting Edge Poly

Applies to AP-TB25108, AP-TB2596



26885

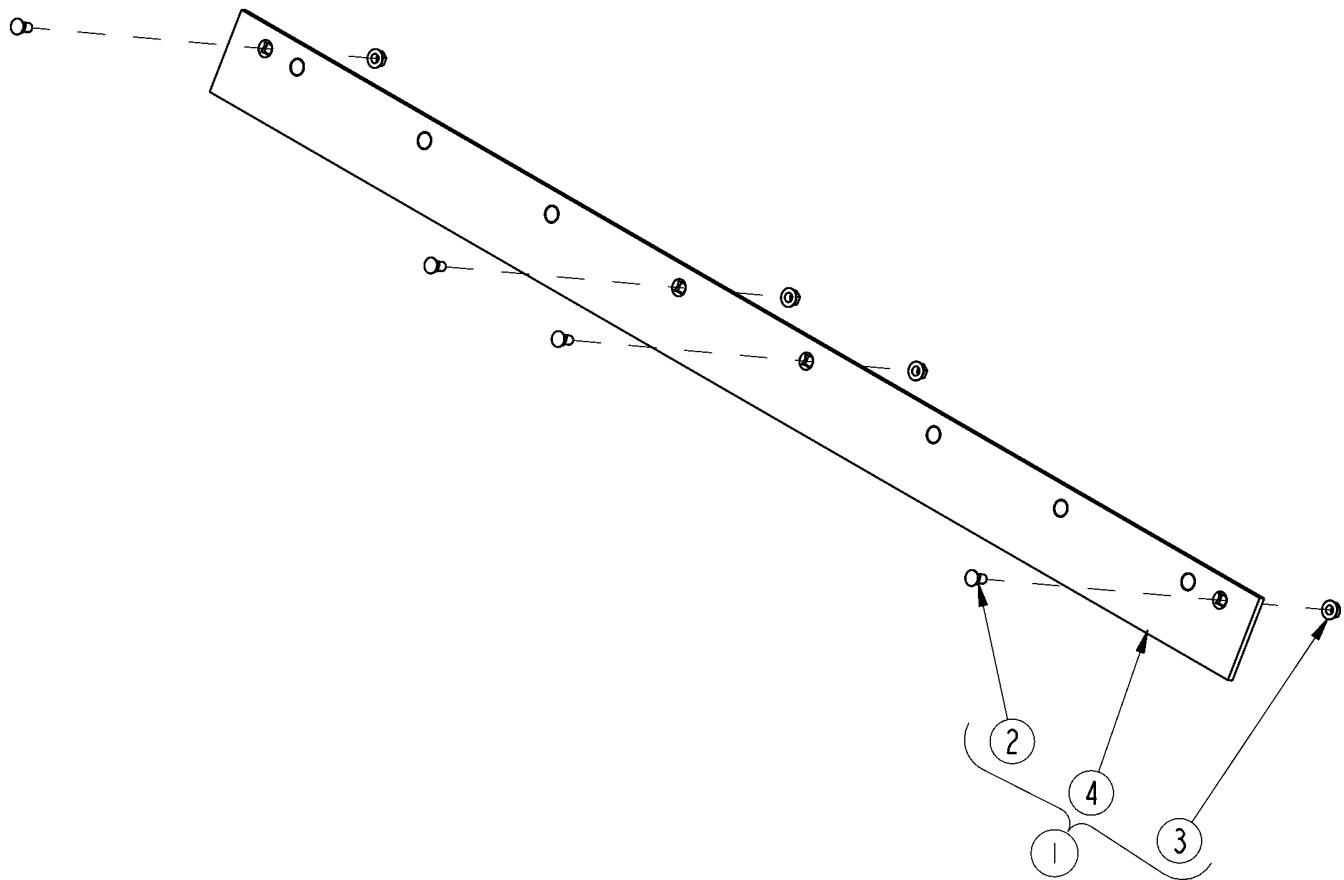
Cutting Edge Poly

Applies to AP-TB25108, AP-TB2596

Ref	Part No.	Part Description	Comments	Revision
	Dwg 26885	Drawing Image Number		
1.	301-275A	PACKAGE, 96" POLY CUT EDGE		
1.	301-272A	PACKAGE, 108" POLY CUT EDGE		
2.	301-344D	PLATE, 96" POLY BLADE BOLT		
2.	301-345D	PLATE, 108" POLY BLADE BOLT		
3.	802-464C	RHSNB 5/8-11X1 1/2 GR5 PLT		
4.	803-304C	NUT HEX WHIZ 5/8-11 PLT		
5.	817-819C	EDGE, 96" POLY WEAR		
5.	817-820C	EDGE, 108" POLY WEAR		

Cutting Edge Steel

Applies to AP-TB25108, AP-TB2596



26886

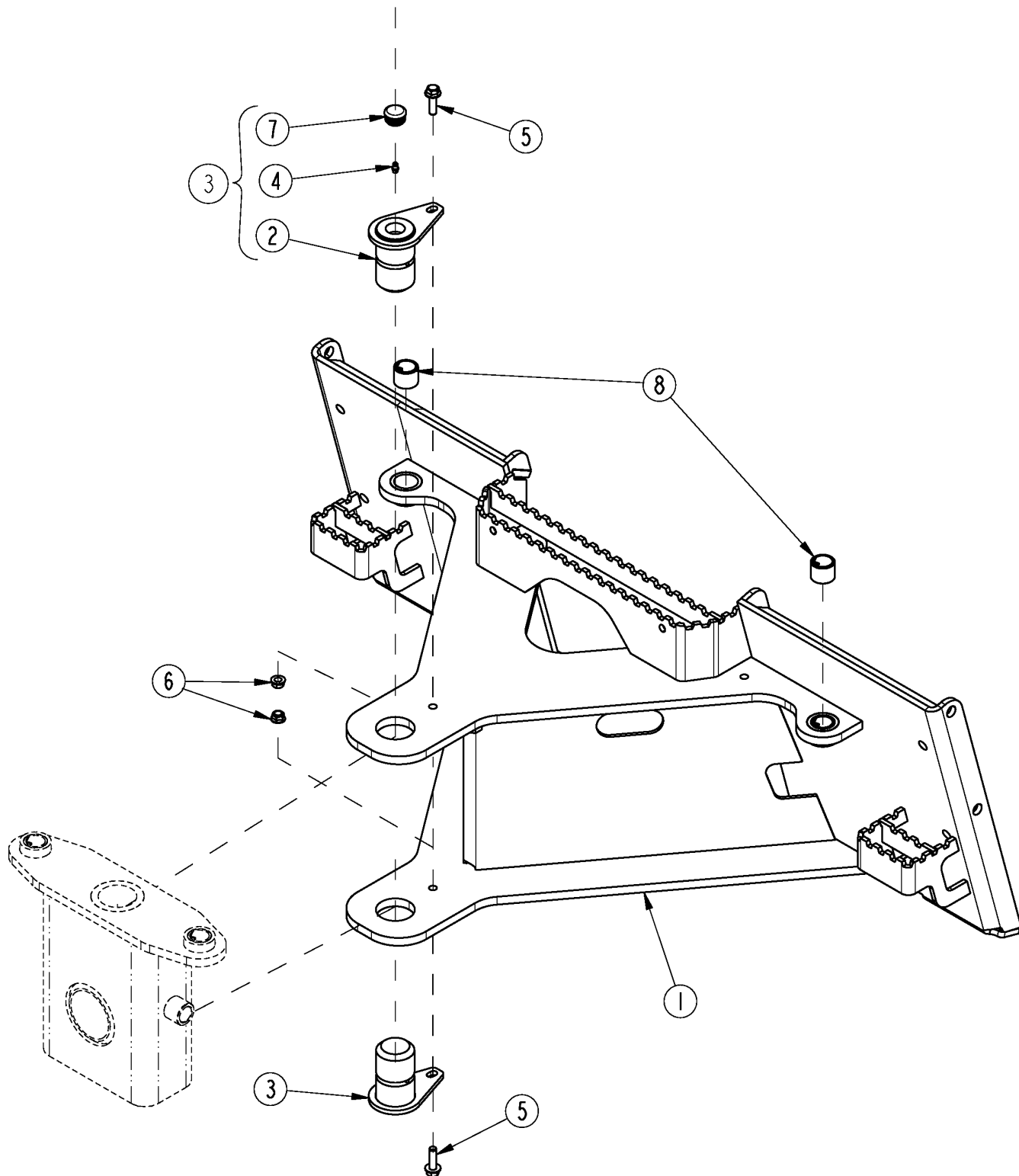
Cutting Edge Steel

Applies to AP-TB25108, AP-TB2596

Ref	Part No.	Part Description	Comments	Revision
	Dwg 26886	Drawing Image Number		
1.	301-274A	PACKAGE, 96" STEEL CUT EDGE		
1.	301-271A	PACKAGE, 108" STEEL CUT EDGE		
2.	802-813C	PLOW 5/8-11X1 1/4 GR5		
3.	803-304C	NUT HEX WHIZ 5/8-11 PLT		
4.	820-392C	EDGE, 96" STEEL WEAR		
4.	820-391C	EDGE, 108" STEEL WEAR		

Hitch

Applies to AP-TB25108, AP-TB2596



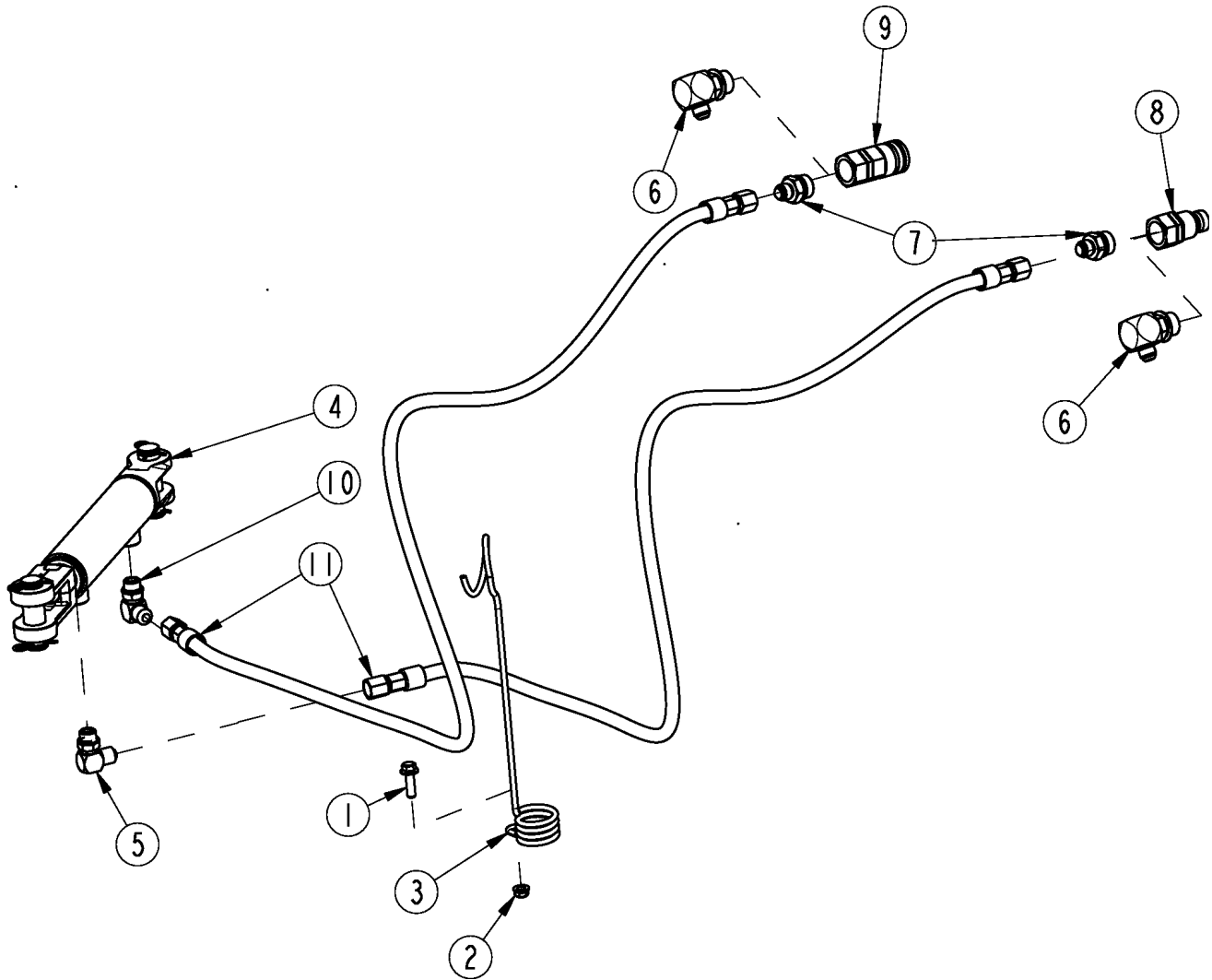
26899

Hitch**Applies to AP-TB25108, AP-TB2596**

Ref	Part No.	Part Description	Comments	Revision
	Dwg 26899	Drawing Image Number		
1.	301-034H	WELDMNT, SS ATTACHMENT FRAME		
2.	301-287H	WLDMNT, 2.0X3 GREASE PIN		
3.	301-301S	ASSEMBLY, 2.0X3 GREASE PIVOT		
4.	800-080C	GREASE ZERK 1/4-28 THD FORMING		
5.	802-933C	HFSS 3/8-16X1 1/4 GR5 ZNYCR		
6.	803-209C	NUT FLANGE LOCK 3/8-16 PLT		
7.	817-833C	PLUG, 1.125OD TUBE FINISH		
8.	890-005C	BUSHING CYL 1 1/4 X 1 X 1		

Hydraulic Components

Applies to AP-TB25108, AP-TB2596



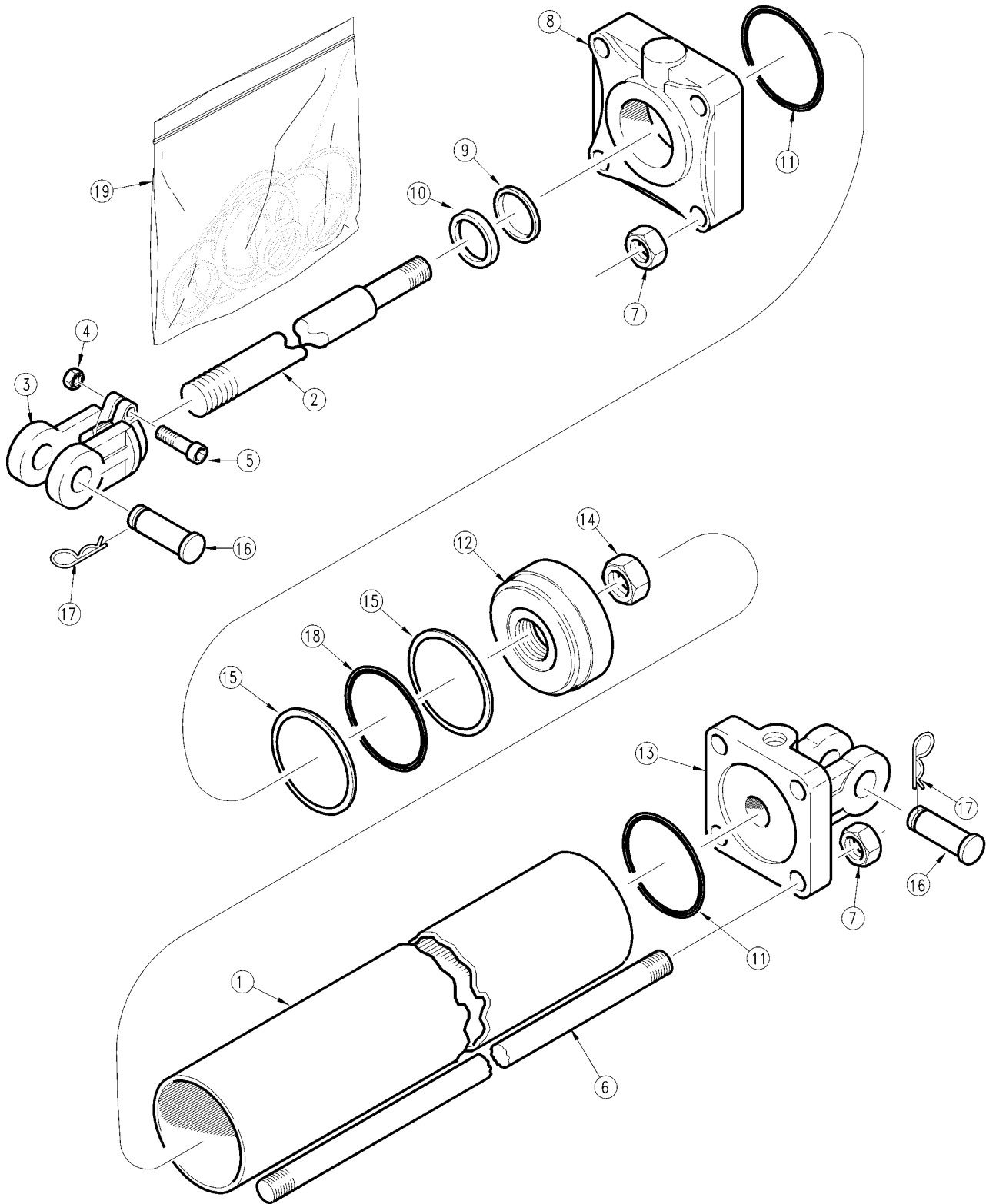
26905

Hydraulic Components**Applies to AP-TB25108, AP-TB2596**

Ref	Part No.	Part Description	Comments	Revision
	Dwg 26905	Drawing Image Number		
1.	802-933C	HFSS 3/8-16X1 1/4 GR5 ZNYCR		
2.	803-209C	NUT FLANGE LOCK 3/8-16 PLT		
3.	807-023C	SPRING HOSE LOOP		
4.	810-734C	CYL 2X6X1.125 WELDED		
5.	811-063C	EL 3/4MJIC 3/4MORB		
6.	811-091C	EL 3/4MJIC 1 1/16MORB	As Required	
7.	811-205C	AD 3/4MJIC 1 1/16MORB	As Required	
8.	851-947C	CUP 1 1/16FORB MALE QUICK CPLR		
8.	811-744C	RPBY 851-947c	Obsolete	
9.	851-948C	CUP 1 1/16FORB FML QUICK CPLR		
9.	811-745C	RPBY 851-948c	Obsolete	
10.	841-205C	OREL 1/32 3/4MJIC 3/4MORB		
11.	851-362C	HH1/2R2 093 3/4FJIC E-Z FLEX		

Hydraulic Cylinder (810-601C) Midway

Applies to AP-TB25108, AP-TB2596



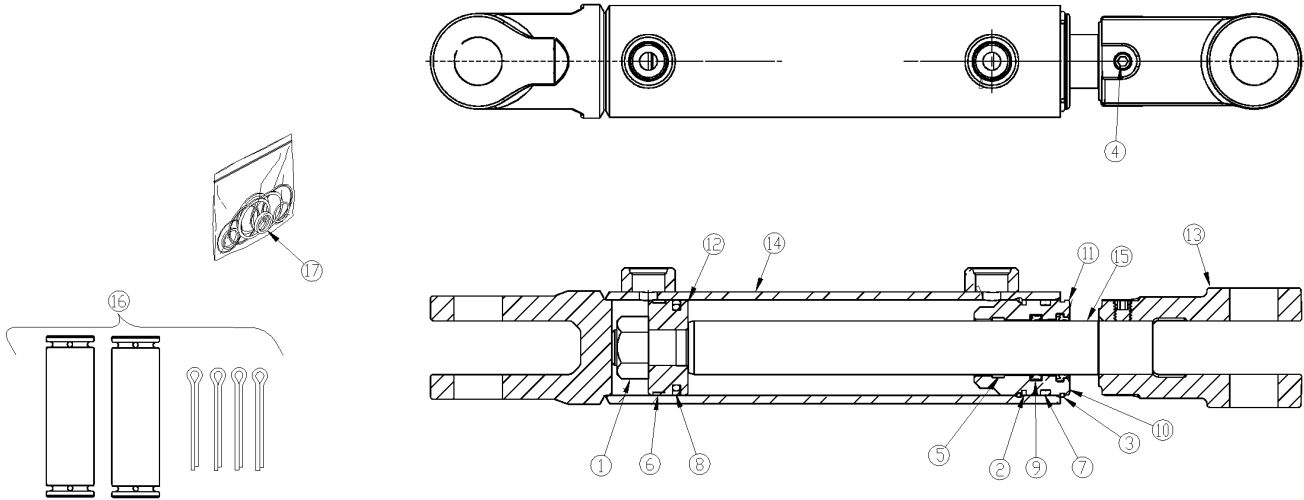
24812

Hydraulic Cylinder (810-601C) Midway**Applies to AP-TB25108, AP-TB2596**

Ref	Part No.	Part Description	Comments	Revision
	Dwg 24812 810-601C	Drawing Image Number CYL 2X6X1.125 ROD (TIE ROD) *		
1.	N/A			
2.	N/A			
3.	1M6006-ADI	MIDWAY HARDENED CLEVIS ADI		
4.	803-234C	NUT HEX 3/8-16 PLAIN		
5.	802-023C	HHCS 3/8-16X1 3/4 GR5		
6.	N/A			
7.	803-234C	NUT HEX 3/8-16 PLAIN		
8.	N/A			
9.		*	Only in seat kit #19	
10.		*	Only in seat kit #19	
11.		*	Only in seat kit #19	
12.	N/A			
13.	N/A			
14.	803-114C	NUT LOCK 3/4-16 NYLOC COLLAR		
15.		*	Only in seat kit #19	
16.	805-004C	PIN CLEVIS 1 X 2 3/4 USABLE LG		
17.	805-088C	PIN, HAIR COTTER 3/16 WIRE DIA		
18.		*	Only in seat kit #19	
19.	3A2104	MIDWAY SEAL KIT 810-601C		

Hydraulic Cylinder (810-734C) Monarch

Applies to AP-TB25108, AP-TB2596



33401

Hydraulic Cylinder (810-734C) Monarch**Applies to AP-TB25108, AP-TB2596**

Ref	Part No.	Part Description	Comments	Revision
	Dwg 33401 810-734C	Drawing Image Number CYL 2X6X1.125 WELDED *		
1.	130556	MON PISTON NUT		
2.	138006	MON RETAINING RING INT 2.00		
3.	138007	MON RETAINING RING EXT 2.00		
4.	148000	MON NYLON THREAD PROTECTOR		
5.	N/A	MON WEAR RING 1.25-1.13-0.250		
6.	N/A	MON WEAR RING 2.00-1.88-0.260		
7.	N/A	MON SEAL ZURCON U-CUP RU9 1.13		
8.	N/A	MON SEAL ZURCON WYNSEAL 2.00		
9.	N/A	MON SEAL DUAL 2.00-.208		
10.	N/A	MON SEAL WIPER 1.13 WNUC TSS		
11.	258753	MON CYL HEAD 2.00-1.13-WET-TSS		
12.	258851	MON PISTON 2.00-.75-TSS-ISO-WR		
13.	492650	LION ROD CLEVIS 1 1/8-12UNF		
14.	741798	MON TUBE WELDT 2.00-06.00-W		
15.	741800	MON ROD CYL 1.12-06-0.75-1.12		
16.	134952	LION PIN CLIP-CLEVIS		
17.	649190	MON SEAL KIT RK 20WR-113		

Kubota Touch-up Paints

Applies to AP-TB25108, AP-TB2596

No diagram associated with this Parts List

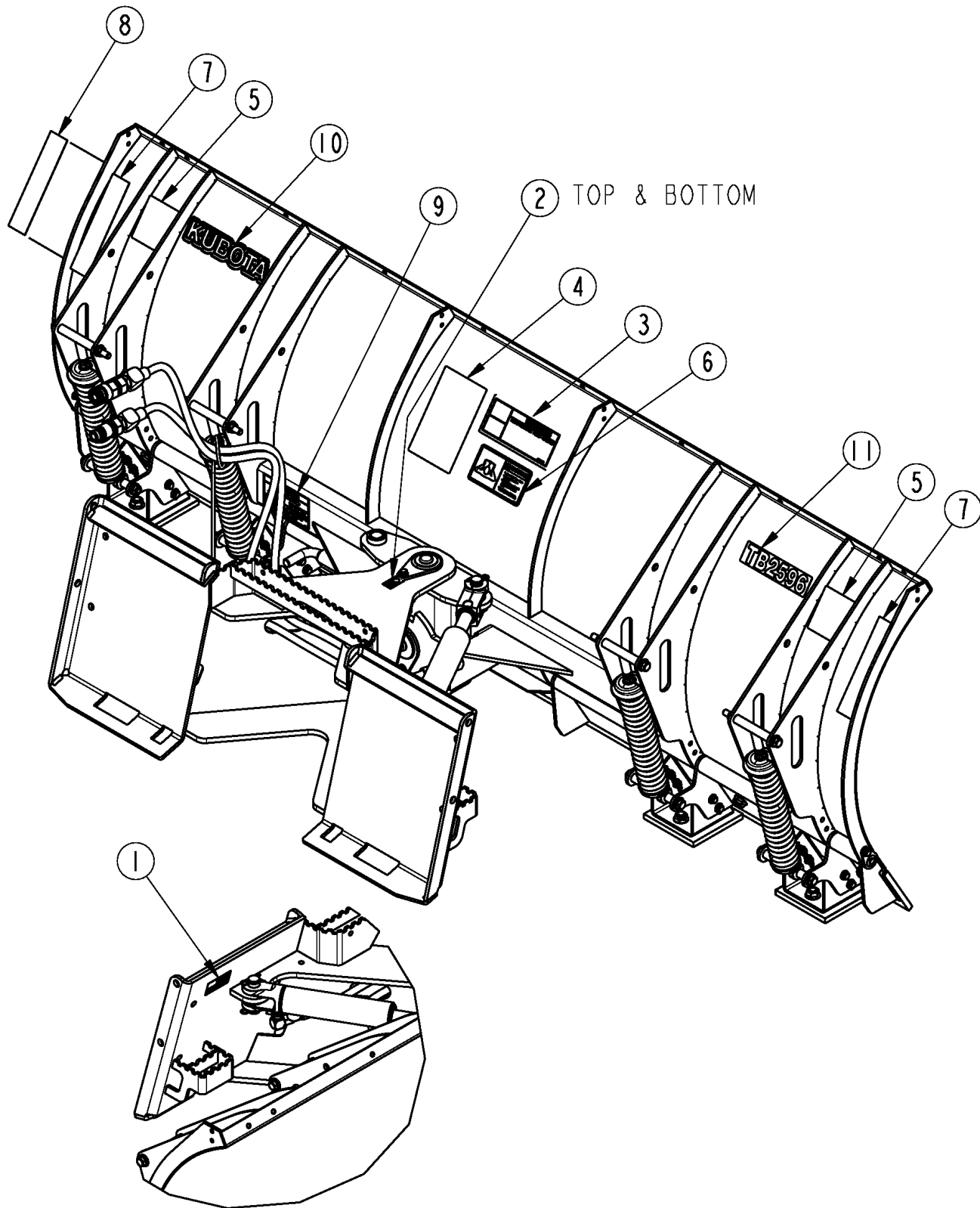
Kubota Touch-up Paints

Applies to AP-TB25108, AP-TB2596

Ref	Part No.	Part Description	Comments	Revision
1.	821-070C	GLOSS BLACK SPRAY CAN	All Products	
2.	821-070CTU	GLOSS BLACK TOUCH-UP 5OZ		
3.	821-070CQT	GLOSS BLACK QUART		
4.	821-070CGL	GLOSS BLACK GALLON		

Label Placement

Applies to AP-TB25108, AP-TB2596



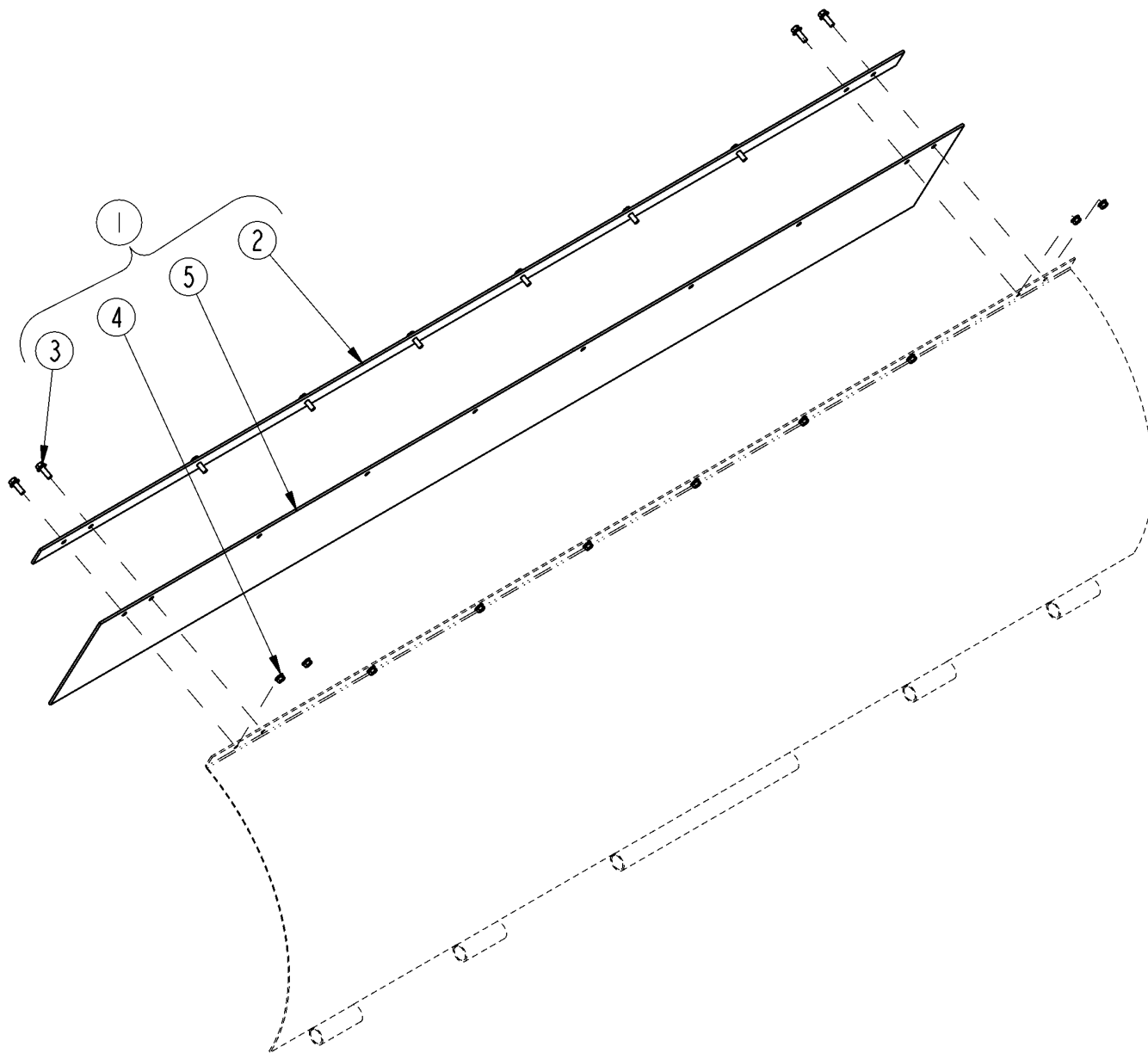
37738

Label Placement**Applies to AP-TB25108, AP-TB2596**

Ref	Part No.	Part Description	Comments	Revision
	Dwg 37738	Drawing Image Number		
1.	818-190C	DECAL FLAG		
2.	818-298C	DECAL GREASE 25HRS BLACK/WHITE		
3.	818-831C	DECAL WARNING HIGH PRESSURE		
4.	838-106C	DECAL WARNING CRUSH ROCK RAKE		
5.	838-112C	DECAL DANGER PINCHING		
6.	838-293C	DECAL WARNING READ MANUAL		
7.	838-614C	DECAL REFLECTOR RED 2X9		
8.	838-615C	DECAL REFLECTOR AMBER 2X9		
9.	848-374C	DECAL, CAUTION TB PIVOT LOCK		
10.	858-398C	DECAL KUBOTA 10"		
11.	858-488C	DECAL TB2596 WHITE		
11.	858-489C	DECAL TB25108 WHITE		

Deflector, Top Edge

Applies to AP-TB25108, AP-TB2596



26917

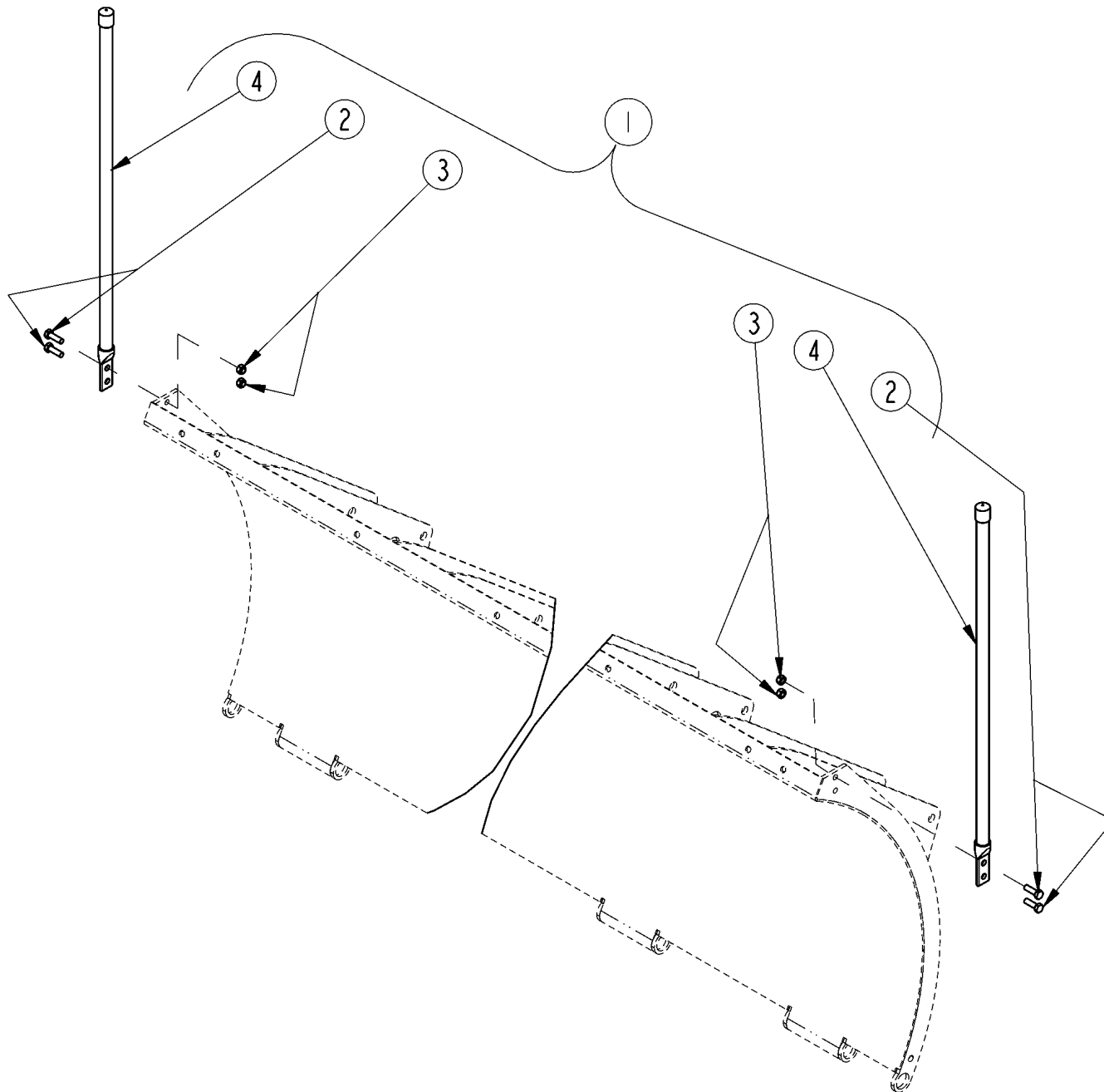
Deflector, Top Edge

Applies to AP-TB25108, AP-TB2596

Ref	Part No.	Part Description	Comments	Revision
	Dwg 26917	Drawing Image Number		
1.	301-306A	PACKAGE, TB2596 DEFLECTOR		
1.	301-305A	PACKAGE, TB25108 DEFLECTOR		
2.	301-351D	PLATE, 96" DEF FLAP BACKING		
2.	301-350D	PLATE, 108" DEF FLAP BACKING		
3.	802-388C	HFS 3/8-16X1 GR5		
4.	803-209C	NUT FLANGE LOCK 3/8-16 PLT		
5.	816-638C	FLAP, 96" TB DEFLECTOR		
5.	816-637C	FLAP, 108" TB DEFLECTOR		

Marker Edge

Applies to AP-TB25108, AP-TB2596



26906

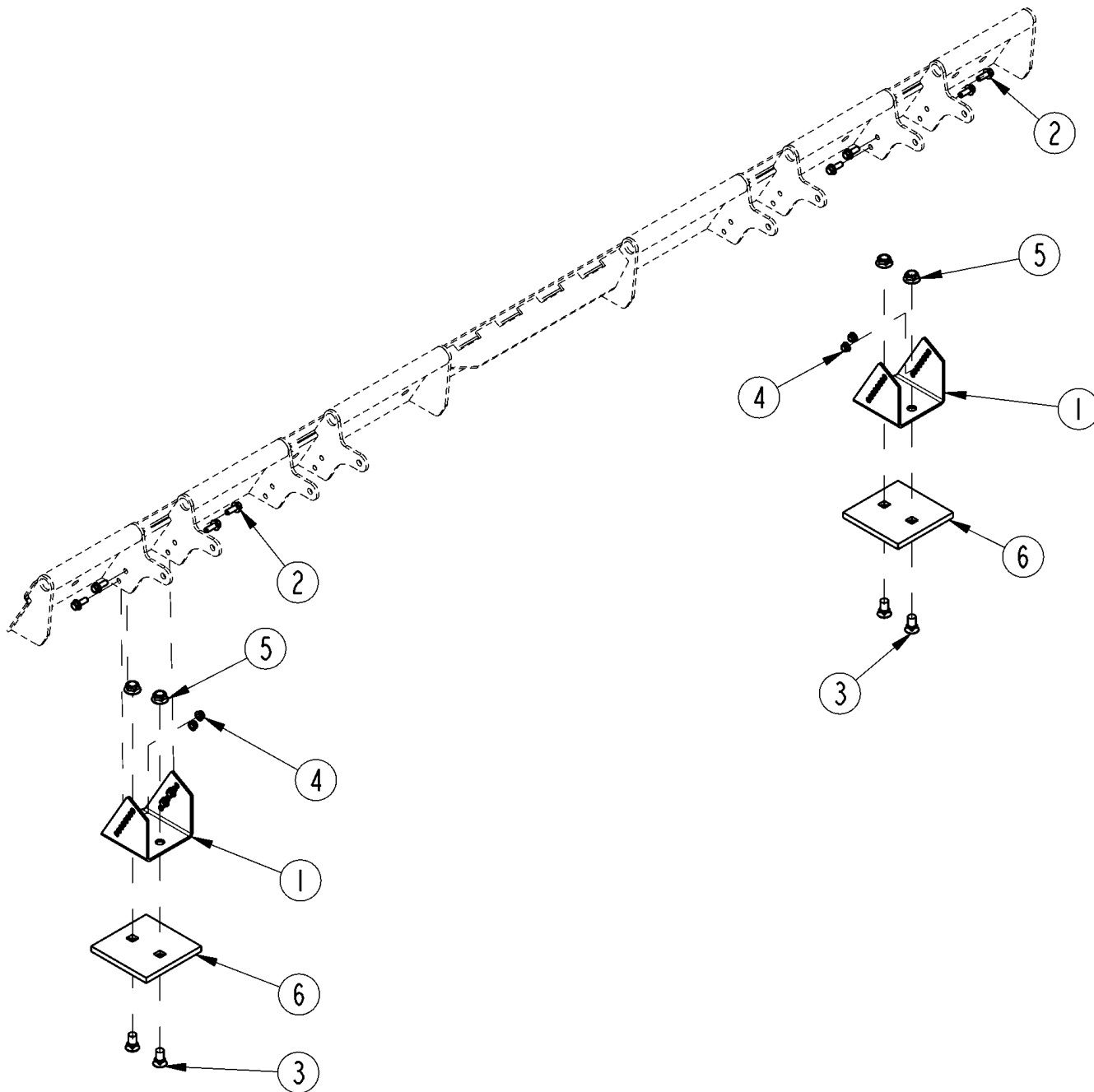
Marker Edge

Applies to AP-TB25108, AP-TB2596

Ref	Part No.	Part Description	Comments	Revision
	Dwg 26906	Drawing Image Number		
1.	323-026A	MARKER ASSY.	S/N 865896+	
1.	301-290A	RPBY 323-026A	S/N 865895-	
2.	802-159C	HHCS 5/16-18X1 GR5		
3.	803-084C	NUT HEX NYLOCK 5/16-18 PLT		
4.	N/A	MARKER ORANGE 28"		

Skid Shoe Service Kit

Applies to AP-TB25108, AP-TB2596



33202

Skid Shoe Service Kit

Applies to AP-TB25108, AP-TB2596

Ref	Part No.	Part Description	Comments	Revision
	Dwg 33202 301-376V	Drawing Image Number ASSY, TB25 SKID SHOE PAIR *		
1.	301-456D	MOUNT, TB25 SKID SHOE		
2.	802-388C	HFS 3/8-16X1 GR5		
3.	802-813C	PLOW 5/8-11X1 1/4 GR5		
4.	803-209C	NUT FLANGE LOCK 3/8-16 PLT		
5.	803-263C	NUT HEX FLANGE LOCK 5/8-11 PLT		
6.	891-249C	SHOE, 6X6X.5 AR400 SKID		



Part Number Index

The Part Number Index is a numeric index of all part numbers included in this manual. The index shows what page(s) the part is used on.

Part Number	Page	Part Number	Page
121-154D	7	811-091C	15
130556	19	811-205C	15
134952	19	811-744C	15
138006	19	811-745C	15
138007	19	812-236C	7
148000	19	816-306C	7
1M6006-ADI	17	816-637C	25
258753	19	816-638C	25
258851	19	817-819C	9
301-034H	13	817-820C	9
301-260H	7	817-833C	7, 13
301-262H	7	818-190C	23
301-263H	7	818-298C	23
301-265H	7	818-831C	23
301-266H	7	820-391C	11
301-271A	11	820-392C	11
301-272A	9	821-070C	21
301-274A	11	821-070CGL	21
301-275A	9	821-070CQT	21
301-277H	7	821-070CTU	21
301-287H	13	838-106C	23
301-288H	7	838-112C	23
301-290A	27	838-293C	23
301-297V	7	838-614C	23
301-298H	7	838-615C	23
301-300S	7	841-205C	15
301-301S	13	848-374C	23
301-305A	25	851-362C	15
301-306A	25	851-947C	15
301-344D	9	851-948C	15
301-345D	9	858-398C	23
301-348D	7	858-488C	23
301-350D	25	858-489C	23
301-351D	25	890-005C	7, 13
301-376V	29	891-249C	7, 29
301-456D	7, 29	Dwg 24812	17
323-026A	27	Dwg 26885	9
357-394D	7	Dwg 26886	11
3A2104	17	Dwg 26899	13
492650	19	Dwg 26905	15
649190	19	Dwg 26906	27
741798	19	Dwg 26917	25
741800	19	Dwg 33202	29
800-080C	7, 13	Dwg 33393	7
802-023C	17	Dwg 33401	19
802-159C	27	Dwg 37738	23
802-185C	7	N/A	17, 19, 27
802-388C	7, 25, 29		
802-464C	9		
802-550C	7		
802-745C	7		
802-813C	7, 11, 29		
802-933C	13, 15		
803-036C	7		
803-037C	7		
803-084C	27		
803-114C	17		
803-169C	7		
803-193C	7		
803-209C	7, 13, 15, 25, 29		
803-234C	17		
803-263C	7, 29		
803-304C	9, 11		
805-004C	17		
805-088C	7, 17		
807-023C	15		
807-262C	7		
810-601C	17		
810-734C	15, 19		
811-063C	15		

This Page Intentionally Left Blank



KUBOTA TRACTOR CORPORATION

1000 Kubota Drive, Grapevine, TX 76051

Telephone: (817) 756-1171

Western Division: 1175 S. Guild Ave., Lodi, CA 95240
Telephone: (209) 334-9910

Central Division: 14855 FAA Blvd., Fort Worth, TX 76155
Telephone: (817) 571-0900

Northern Division: 6300 at One Kubota Way, Groveport, OH 43125
Telephone: (614) 835-1100

Southeast Division: 1025 Northbrook Parkway, Suwanee, GA 30024
Telephone: (770) 995-8855

www.kubota.com
