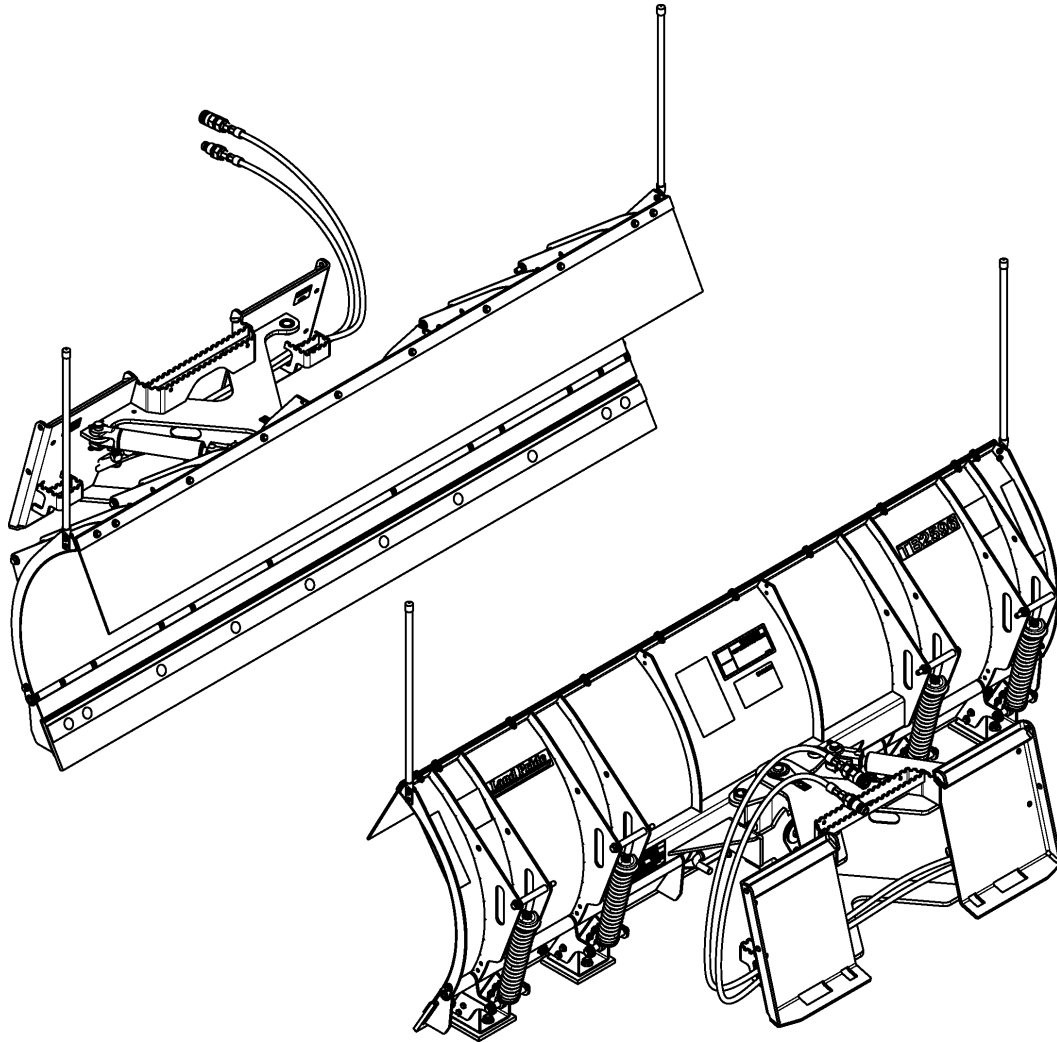


Trip Edge Blade

TB2596 & TB25108



26891

301-291P **Parts Manual**



Read the Operator's Manual entirely. When you see this symbol, the subsequent instructions and warnings are serious - follow without exception. Your life and the lives of others depend on it!

© Copyright 2017 Printed 12/29/17

Cover photo may show optional equipment not supplied with standard unit.





Table of Contents

Section 1: Introduction.....	4
Using This Manual.....	4
Manual Replacement Information.....	4
Manual Revisions.....	4
Touch-up Paint.....	4
Hardware Legend.....	5
Replacement Hardware.....	5
Serial Numbers.....	5
Part Number Service Coding.....	5
Section 2: Frame & Blade.....	6
Blade.....	6
Trip Components S/N 717619-.....	6
Blade.....	8
Trip Components S/N 717620+.....	8
Cutting Edge Poly.....	10
Cutting Edge Steel.....	12
Hitch.....	14
Section 3: Hydraulics.....	16
Hydraulic Components.....	16
Hydraulic Cylinder (810-601C) Midway.....	18
Hydraulic Cylinder (810-734C) Monarch.....	20
Section 4: Labels.....	22
Label Placement.....	22
Land Pride Touch-up Paints.....	24
Section 5: Options & Accessories.....	26
Deflector.....	26
Top Edge.....	26
Marker Edge.....	28
Skid Shoe Service Kit.....	30
Part Number Index.....	32

© Copyright 2017. All rights reserved.

Land Pride provides this publication “as is” without warranty of any kind, either expressed or implied. While every precaution has been taken in the preparation of this manual, Land Pride assumes no responsibility for errors or omissions. Neither is any liability assumed for damages resulting from the use of the information contained herein. Land Pride reserves the right to revise and improve its products as it sees fit. This publication describes the state of this product at the time of its publication, and may not reflect the product in the future. The illustrations in this manual are not intended for safe and proper assembly or disassembly of equipment. The illustrations are intended for ordering parts only.

Land Pride is registered trademark.

All other brands and product names are trademarks or registered trademarks of their respective holders.

Printed in the United States of America.



Alphabetized Table of Contents

B	
	Blade, Trip Components S/N 717619-.....6
	Blade, Trip Components S/N 717620+.....8
C	
	Cutting Edge Poly.....10
	Cutting Edge Steel.....12
D	
	Deflector, Top Edge.....26
H	
	Hitch.....14
	Hydraulic Components.....16
	Hydraulic Cylinder (810-601C) Midway.....18
	Hydraulic Cylinder (810-734C) Monarch.....20
L	
	Label Placement.....22
	Land Pride Touch-up Paints.....24
M	
	Marker Edge.....28
S	
	Skid Shoe Service Kit.....30

General Information

Using This Manual

This manual is divided into sections. The first section contains General Information. The remaining sections divide the machine into segments (i.e. Frames, Drives, Hydraulics, etc.) which illustrate and list all parts. A Parts Number Index is located at the back of the book.

The Land Pride parts in this manual are specially designed for this machine and should be replaced with Land Pride parts only.

The information in this manual is current at time of printing. Some parts may change to assure top performance.

Right-hand and left-hand as used in this manual are determined by facing the direction the machine will travel while in use.

Below is an example of two facing pages from a parts manual. Familiarize yourself with the type of information contained on these pages.

Manual Replacement Information

Replacement manuals are available. Refer to our website at www.landpride.com or e-mail us at lit@landpride.com for additional information. Our website continues to provide the most up-to-date manuals available.

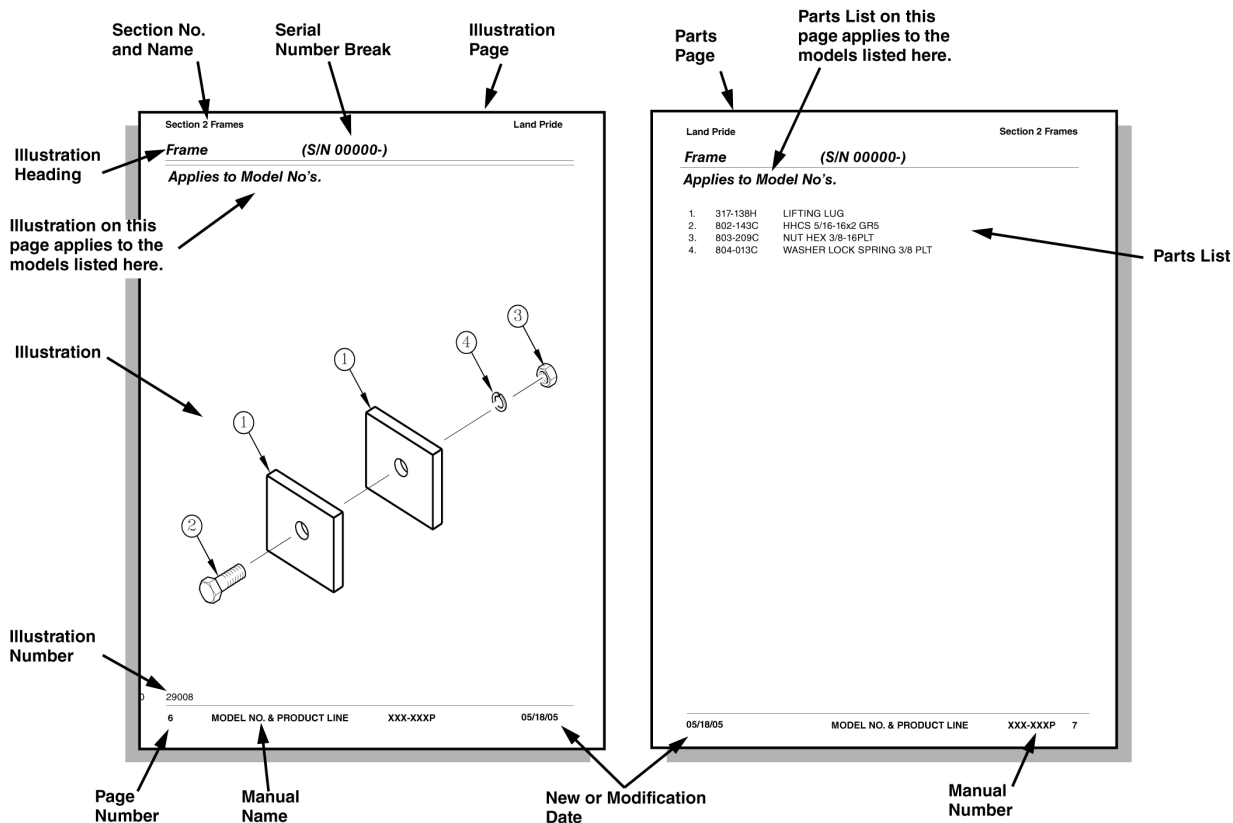
Touch-up Paint

Repaint parts where paint is worn or scratched to prevent rust. Aerosol cans and touch-up bottles with brush applicator are available through your local dealer. Land Pride color descriptions and part numbers are listed below. Also available are quart and gallon size paints. Add QT or GL to end of the Aerosol P/N.

Color	Product*	Aerosol	Touch-Up
Gloss Black	LP	821-070C	821-070CTU
Beige	LP	821-011C	821-011CTU
Green	SLP	821-058C	821-058CTU
Orange	SLP	821-066C	821-066CTU
Red	SLP	821-054C	821-054CTU
Blue	SLP	821-067C	821-067CTU

Notes:

- * LP = All Land Pride Products
- SLP = Select Land Pride Products that are available in optional Green, Orange and Red.



General Information

Hardware Legend

AR	As Required
BLADE	Blade Bolt
C	Cap Screw
CP	Cotter Pin
CPHSSS	Cup Point Hex Socket Set Screw
CPSHSS	Cup Point Square Head Set Screw
CPSQHSS	Cup Point Square Head Set Screw
CRFCHMS3	Cross Recess Flat Countersunk Head Machine Screw
CRPHMS	Cross Recess Pan Head Machine Screw
CRPHTF	Cross Recess Pan Head Thread Forming
CRRHMS	Cross Recess Round Head Machine Screw
CRTHMS	Cross Recess Truss Head Machine Screw
CSNB	Countersunk Square Neck Bolt
FHMS	Flat Head Machine Screw
FTC	Full Thread Cap Screw
H	Hex Nut
HCLN	Hex Center Lock Nut
HFLCS	Hex Flange Lock Cap Screw
HFS	Hex Flange Screw
HFSLN	Hex Flange Serrated Lock Nut
HFSS	Hex Flange Serrated Screw
HHCS	Hex Head Cap Screw or Metric Bolt
HSBHCS	Hex Socket Button Head Cap Screw
HSFCHCS	Hex Socket Flat Countersunk Head Cap Screw
HSHCS	Hex Socket Head Cap Screw
HSSS	Hex Socket Head Screw
HTLN	Hex Top Lock Nut
HWHCS	Hex Washer Head Cap Screw

HWHMS	Hex Washer Head Machine Screw
HXBHCS	Hex Socket Button Head Cap Screw
J	Hex Jam Nut
JIC	37 Degree Tapered Thread
L	Helical Spring Lock Washer
LUG	Lug Bolt
NFC	National Fine Cap Screw
NPSM	National Pipe Straight Mechanical
NPTF	National Pipe Taper Fuel
P	Wide Plain Washer
PHMS	Pan Head Machine Screw
PLOW	Plow Bolt
RHMS	Round Head Machine Screw
RHSNB	Round Head Square Neck Bolt
SCREW LEVELING	Leveling Screw
SCREW THUMB	Thumb Screw
SCREW WELD	Weld Screw
SFCHMS	Slotted Flat Countersunk Head Machine Screw
SFHMS	Slotted Fillister Head Machine Screw
SP	Special
SP SCREW	Special Screw
SQHSS	Square Head Set Screw
SRHMS	Slotted Round Head Machine Screw
SSS	Socket Set Screw
STCS	Self Tapping Cap Screw
STHMS	Slotted Truss Head Machine Screw
WHEEL	Wheel Studs and Hub Long Bolts
WING	Wing Bolt

Replacement Hardware

The **Hardware Legend** above lists hardware abbreviations used in the parts list. All bolts and nuts are Grade 5 unless otherwise noted. The use of improper grades of hardware can result in personal injury, damage to equipment, or loss of property.

Colored Replacement Parts

Land Pride offers replacement parts in factory standard colors and also on select models in Green, Orange, Red and Blue. Because of the variety of colors available, special attention must be given to the part number to prevent ordering the wrong replacement part.

A suffix number corresponding to one of the colors below must be added at the end of Land Pride's part number when ordering a replacement part with that color.

81 Green 83 Red
82 Orange 84 Blue

For example, if you are ordering a replacement part with part number 555-555C and the part you need is red, then add the suffix 83 to the end of the number to make the part number read 555-555C83. Parts ordered without a suffix number will be supplied in factory standard colors.

Black Replacement Parts

Some parts are factory standard black and some must be special ordered black. If your part is special ordered black, a second part number with the additional suffix number 85 on the end will be available. In this situation you must order that part with the suffix number for it to be black. Parts that are factory standard black will not have the suffix number.

Part Number Service Coding

Within the parts list some part numbers are coded for revisions and interchangeability. See notations in revision column.

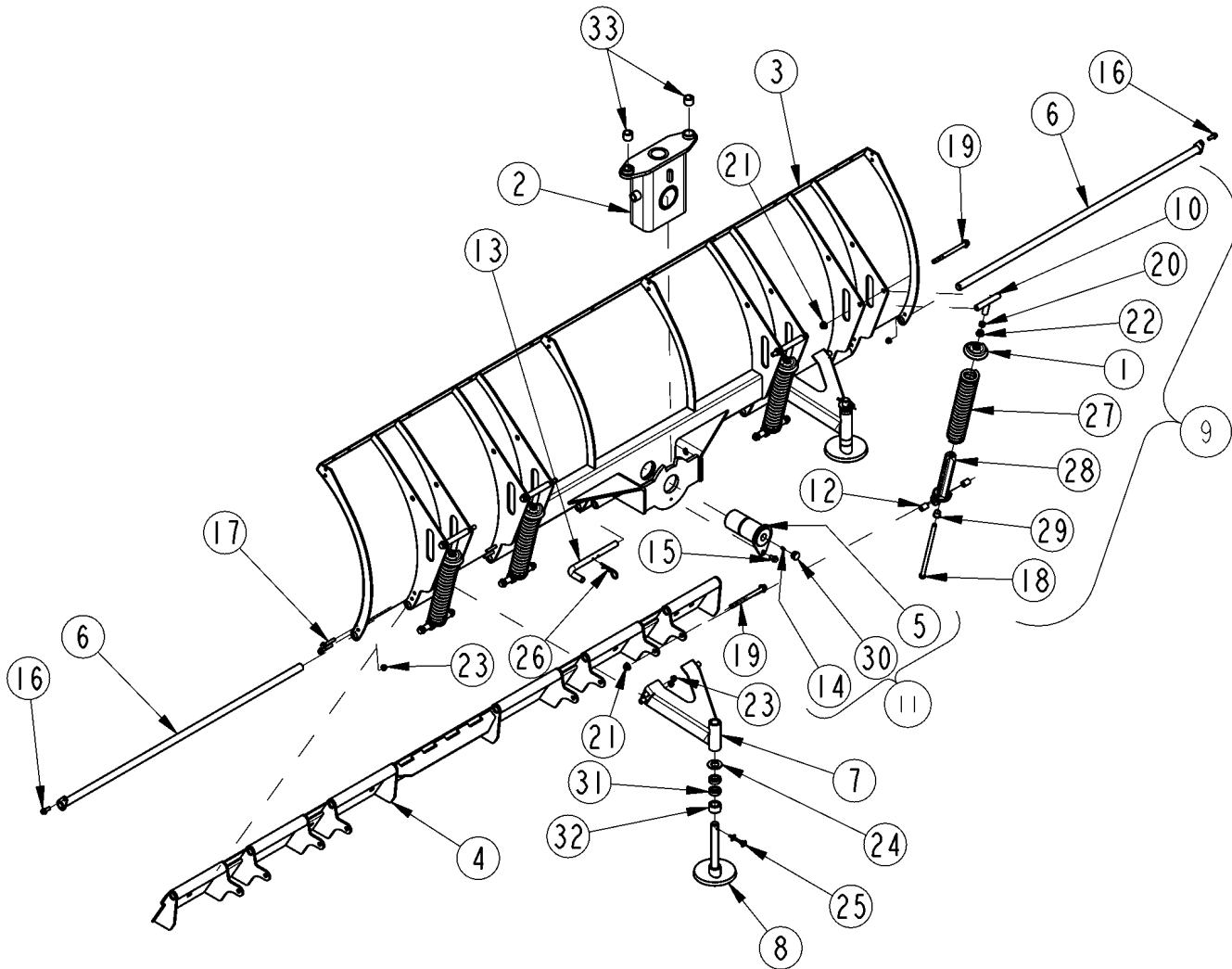
Serial Numbers

Always use the serial and model number when ordering parts. Refer to the Operator's Manual for serial number plate location.

- (S/N 20001+) Includes serial numbers 20001 and above (to the latest number)
- (S/N 10001 to 20000) Includes serial numbers between and including 10001 and 20000
- (S/N 10000-) Includes serial numbers 10000 and below (to the earliest number)

Blade, Trip Components S/N 717619-

Applies to TB25108, TB2596



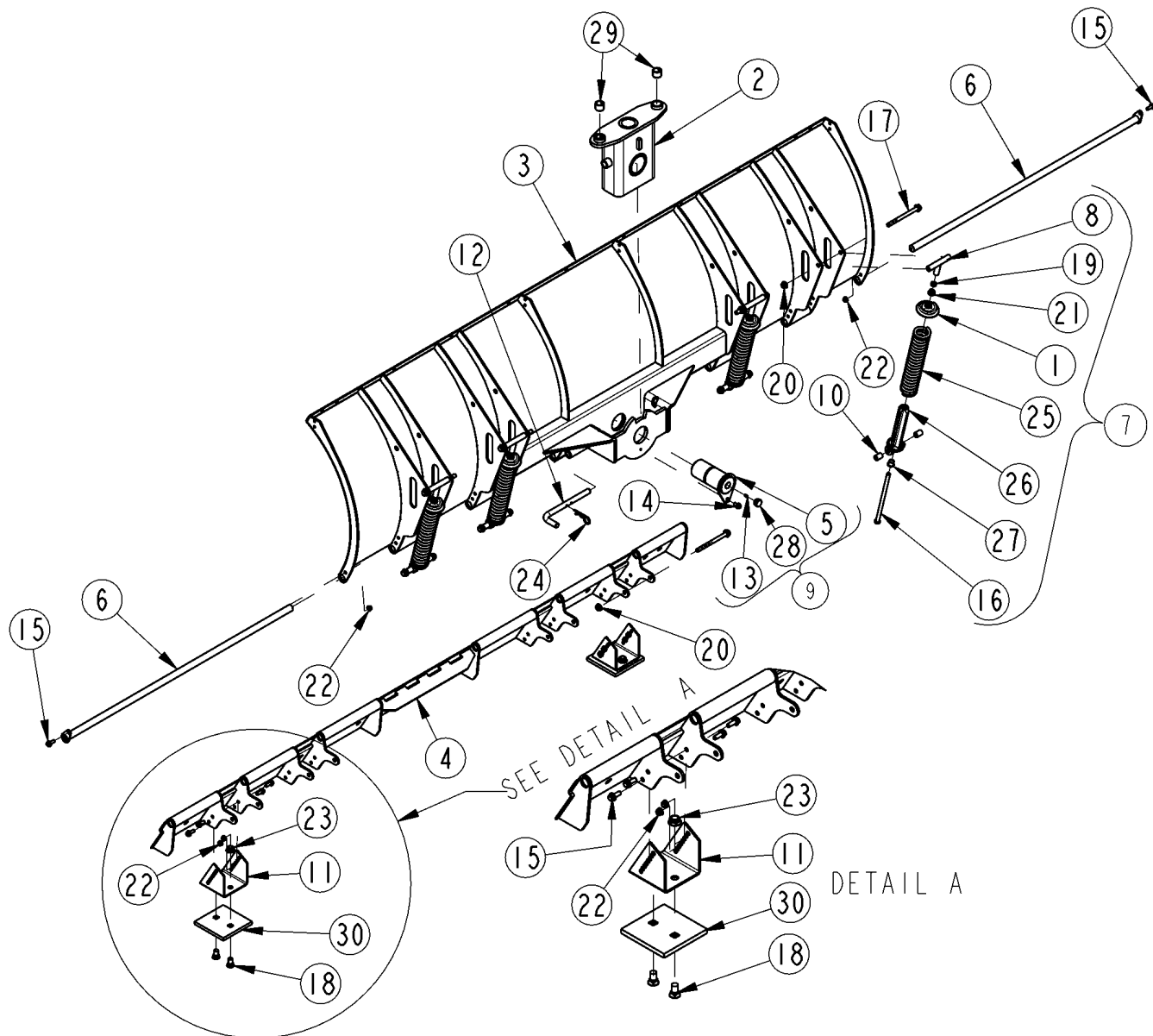
26883

Blade, Trip Components S/N 717619-**Applies to TB25108, TB2596**

Ref	Part No.	Part Description	Comments	Revision
	dwg26883	Drawing Image Number		
1.	121-154D	SPRING STOP STAMPING		
2.	301-260H	WELDMENT, ATTACHMENT PIVOT		
3.	301-262H	WELDMENT, 108" MOLDBOARD		
3.	301-265H	WELDMENT, 96" MOLDBOARD		
4.	301-263H	WELDMENT, 108" TRIP EDGE		
4.	301-266H	WELDMENT, 96" TRIP EDGE		
5.	301-277H	WLDMNT, 2.75X6 GREASE PIN		
6.	301-288H	WLDMNT, TRIP EDGE PIVOT ROD		
7.	301-292H	WELDMENT, TB SKID SHOE MOUNT		
8.	301-293H	WELDMENT, TB SKID SHOE		
9.	301-297V	ASSEMBLY, TRIP EDGE SPRING		
10.	301-298H	WLDMNT, SPRING CONNECTOR		
11.	301-300S	ASSEMBLY, 2.75X6 GREASE PIVOT		
12.	301-348D	SPACER, LOWER SPRING MOUNT		
13.	357-394D	PIN, AXLE PIVOT CONTROL		
14.	800-080C	GREASE ZERK 1/4-28 THD FORMING		
15.	802-185C	HFSS 3/8-16X3/4 LG		
16.	802-388C	HFS 3/8-16X1 GR5		
17.	802-467C	HFS 3/8-16X2 GR5		
18.	802-550C	HHCS 1/2-13X10 SPTHD GR8		
19.	802-745C	HFS 1/2-13X6 1/8GR5 PLT		
20.	803-036C	NUT HEX JAM 1/2-13 PLT		
21.	803-169C	NUT HEX FLG. LOCK 1/2-13 PLT.		
22.	803-193C	NUT HEX FLANGE 1/2-13 GR G PLT		
23.	803-209C	NUT FLANGE LOCK 3/8-16 PLT		
24.	804-029C	WASHER FLAT 1 SAE		
25.	805-065C	PIN WIRE RETAINING 1/4 X 1 3/4		
26.	805-088C	PIN, HAIR COTTER 3/16 WIRE DIA		
27.	807-262C	SPRING COMP 2.56ODX.393X12.875		
28.	812-236C	OPNR SPRING RD TRUNION CASTING		
29.	816-306C	PLUG, SPRING ROD CASTING		
30.	817-833C	PLUG, 1.125OD TUBE FINISH		
31.	827-001C	SPACER 1/2		
32.	827-002C	SPACER 1		
33.	890-005C	BUSHING CYL 1 1/4 X 1 X 1		

Blade, Trip Components S/N 717620+

Applies to TB25108, TB2596



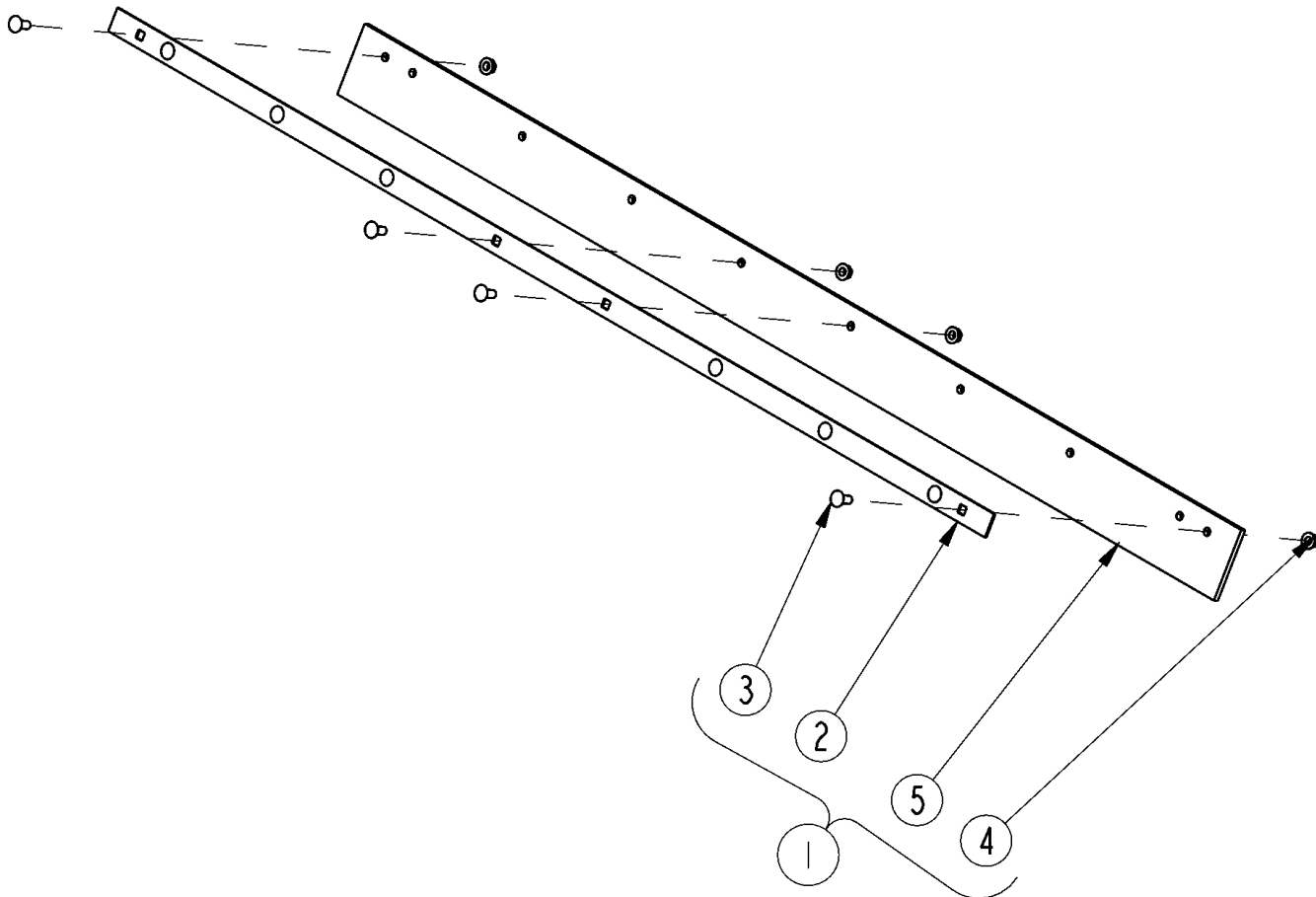
33393

Blade, Trip Components S/N 717620+**Applies to TB25108, TB2596**

Ref	Part No.	Part Description	Comments	Revision
	Dwg 33393	Drawing Image Number		
1.	121-154D	SPRING STOP STAMPING		
2.	301-260H	WELDMENT, ATTACHMENT PIVOT		
3.	301-262H	WELDMENT, 108" MOLDBOARD		
3.	301-265H	WELDMENT, 96" MOLDBOARD		
4.	301-263H	WELDMENT, 108" TRIP EDGE		
4.	301-266H	WELDMENT, 96" TRIP EDGE		
5.	301-277H	WLDMNT, 2.75X6 GREASE PIN		
6.	301-288H	WLDMNT, TRIP EDGE PIVOT ROD		
7.	301-297V	ASSEMBLY, TRIP EDGE SPRING		
8.	301-298H	WLDMNT, SPRING CONNECTOR		
9.	301-300S	ASSEMBLY, 2.75X6 GREASE PIVOT		
10.	301-348D	SPACER, LOWER SPRING MOUNT		
11.	301-456D	MOUNT, TB25 SKID SHOE		
12.	357-394D	PIN, AXLE PIVOT CONTROL		
13.	800-080C	GREASE ZERK 1/4-28 THD FORMING		
14.	802-185C	HFSS 3/8-16X3/4 LG		
15.	802-388C	HFS 3/8-16X1 GR5		
16.	802-550C	HHCS 1/2-13X10 SPTHD GR8		
17.	802-745C	HFS 1/2-13X6 1/8GR5 PLT		
18.	802-813C	PLOW 5/8-11X1 1/4 GR5		
19.	803-036C	NUT HEX JAM 1/2-13 PLT		
20.	803-037C	NUT HEX WHIZ 1/2-13 PLT	S/N 821298+	
20.	803-169C	NUT HEX FLG LOCK 1/2-13 PLT	S/N 821297-	
21.	803-193C	NUT HEX FLANGE 1/2-13 GR G PLT		
22.	803-209C	NUT FLANGE LOCK 3/8-16 PLT		
23.	803-263C	NUT HEX FLANGE LOCK 5/8-11 PLT		
24.	805-088C	PIN, HAIR COTTER 3/16 WIRE DIA		
25.	807-262C	SPRING COMP 2.56ODX.393X12.875		
26.	812-236C	OPNR SPRING RD TRUNION CASTING		
27.	816-306C	PLUG, SPRING ROD CASTING		
28.	817-833C	PLUG, 1.125OD TUBE FINISH		
29.	890-005C	BUSHING CYL 1 1/4 X 1 X 1		
30.	891-249C	SHOE, 6X6X.5 AR400 SKID		

Cutting Edge Poly

Applies to TB25108, TB2596



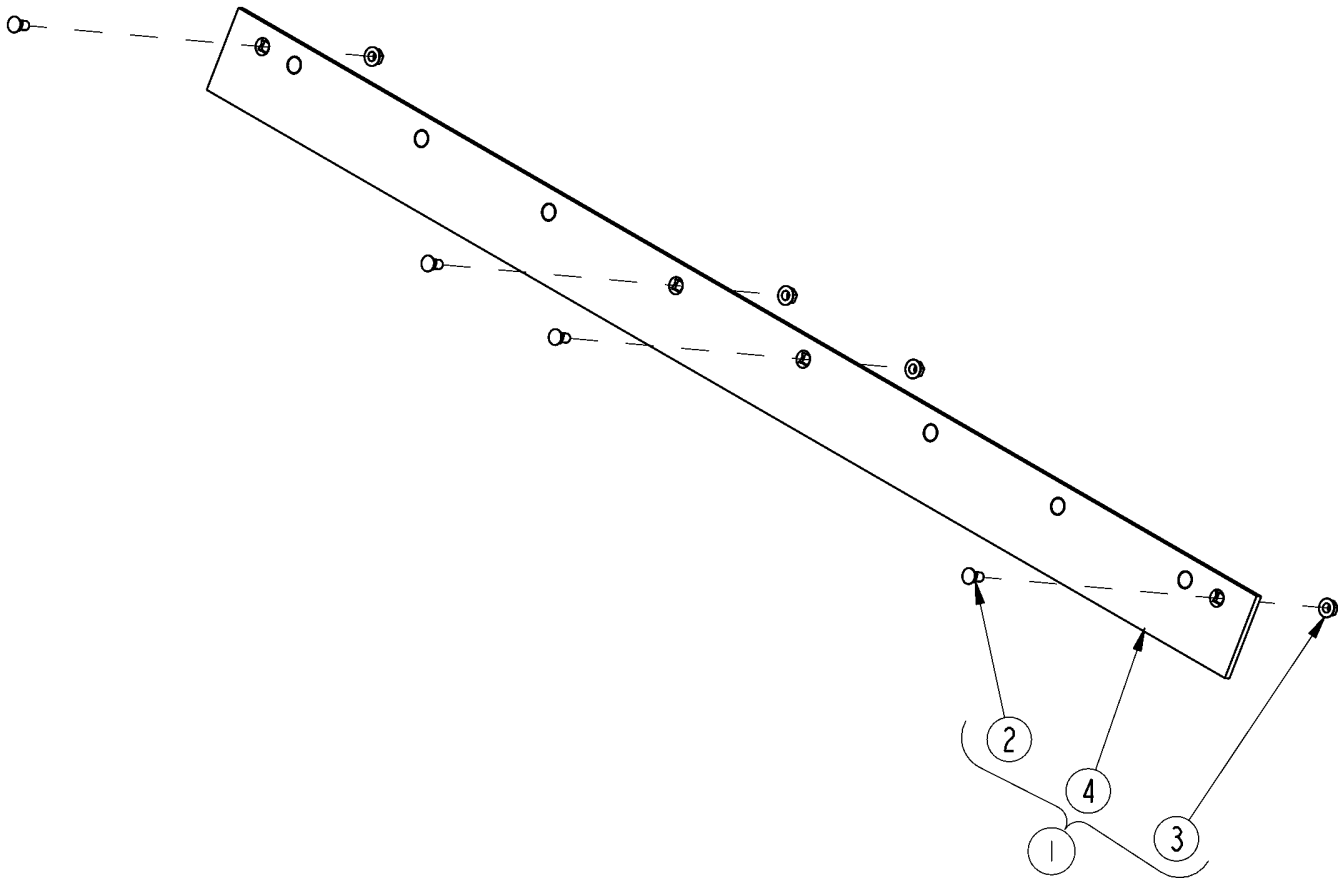
26885

Cutting Edge Poly**Applies to TB25108, TB2596**

Ref	Part No.	Part Description	Comments	Revision
	dwg26885	Drawing Image Number		
1.	301-275A	PACKAGE, 96" POLY CUT EDGE		
1.	301-272A	PACKAGE, 108" POLY CUT EDGE		
2.	301-344D	PLATE, 96" POLY BLADE BOLT		
2.	301-345D	PLATE, 108" POLY BLADE BOLT		
3.	802-464C	RHSNB 5/8-11X1 1/2 GR5 PLT		
4.	803-304C	NUT HEX WHIZ 5/8-11 PLT	S/N 815206+	
4.	803-263C	NUT HEX FLANGE LOCK 5/8-11 PLT	S/N 815205-	
5.	817-819C	EDGE, 96" POLY WEAR		
5.	817-820C	EDGE, 108" POLY WEAR		

Cutting Edge Steel

Applies to TB25108, TB2596



26886

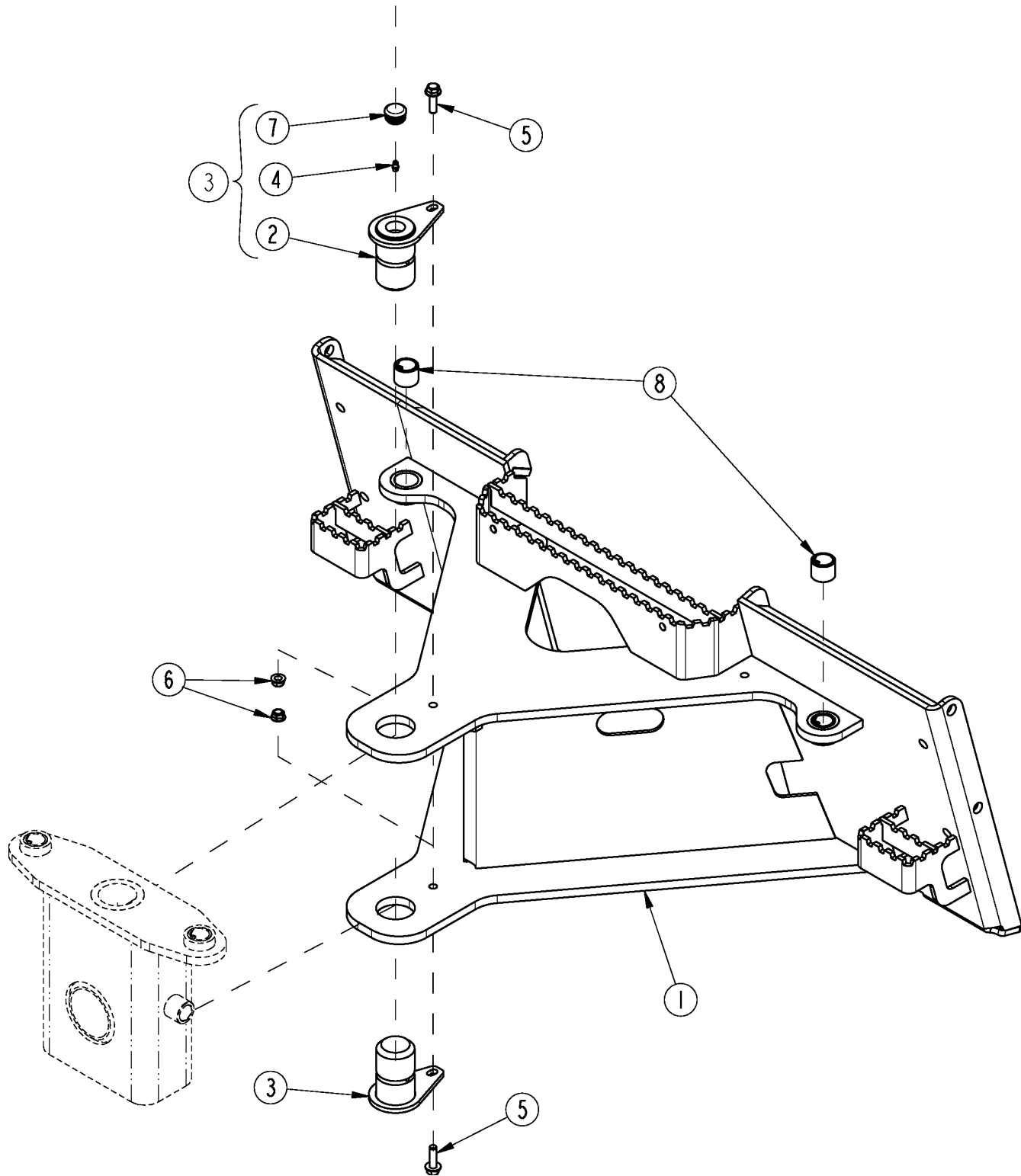
Cutting Edge Steel

Applies to TB25108, TB2596

Ref	Part No.	Part Description	Comments	Revision
	dwg26886	Drawing Image Number		
1.	301-274A	PACKAGE, 96" STEEL CUT EDGE		
1.	301-271A	PACKAGE, 108" STEEL CUT EDGE		
2.	802-813C	PLOW 5/8-11X1 1/4 GR5		
3.	803-304C	NUT HEX WHIZ 5/8-11 PLT	S/N/ 815206+	
3.	803-263C	NUT HEX FLANGE LOCK 5/8-11 PLT	S/N 815205-	
4.	820-392C	EDGE, 96" STEEL WEAR		
4.	820-391C	EDGE, 108" STEEL WEAR		

Hitch

Applies to TB25108, TB2596



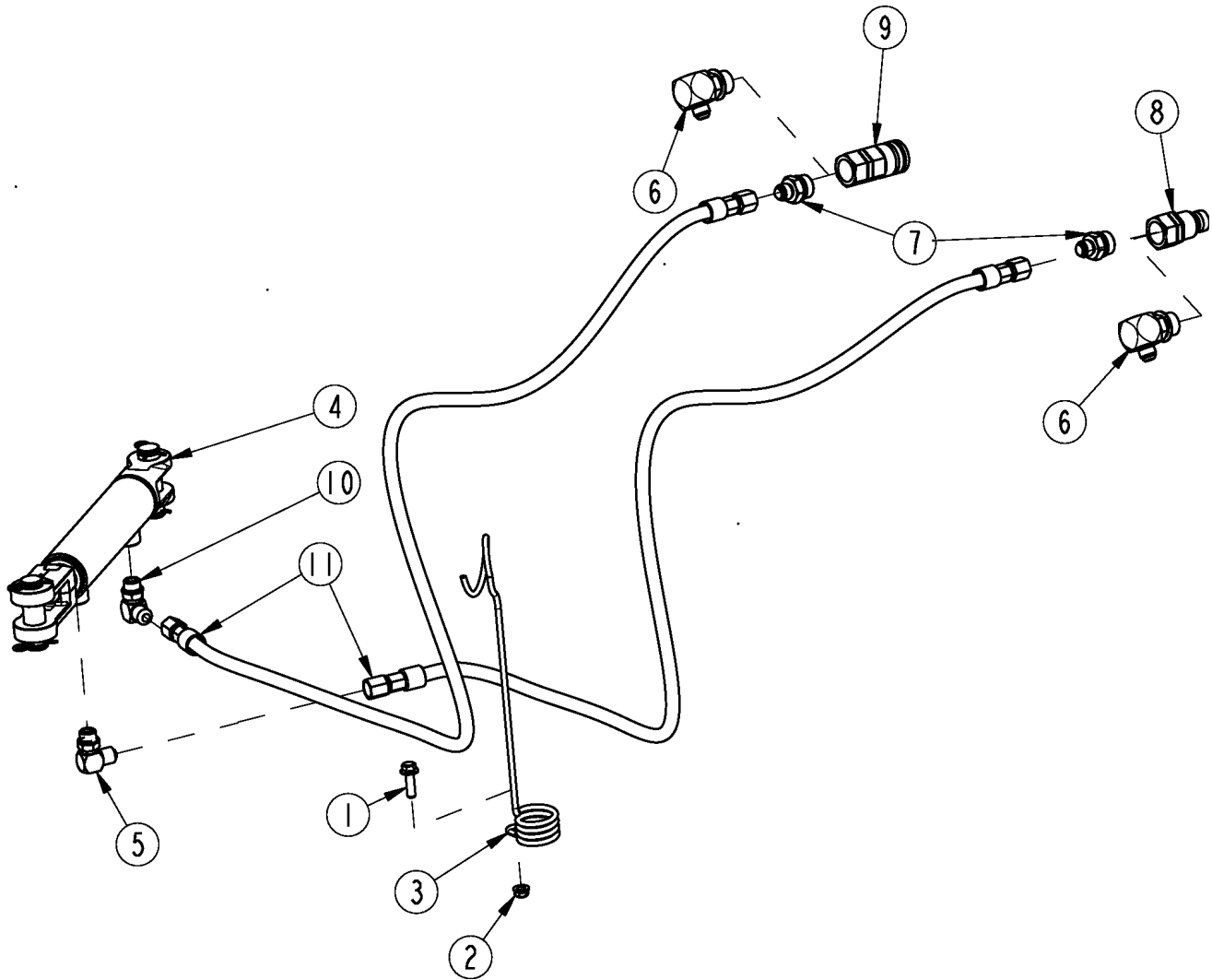
26899

Hitch**Applies to TB25108, TB2596**

Ref	Part No.	Part Description	Comments	Revision
	dwg26899	Drawing Image Number		
1.	301-034H	WELDMNT, SS ATTACHMENT FRAME		
2.	301-287H	WLDMNT, 2.0X3 GREASE PIN		
3.	301-301S	ASSEMBLY, 2.0X3 GREASE PIVOT		
4.	800-080C	GREASE ZERK 1/4-28 THD FORMING		
5.	802-933C	HFSS 3/8-16X1 1/4 GR5 ZNYCR	S/N 642827+	
5.	802-185C	HFSS 3/8-16X3/4 LG	S/N 642826-	
6.	803-209C	NUT FLANGE LOCK 3/8-16 PLT	S/N 642827+	
7.	817-833C	PLUG, 1.125OD TUBE FINISH		
8.	890-005C	BUSHING CYL 1 1/4 X 1 X 1		

Hydraulic Components

Applies to TB25108, TB2596



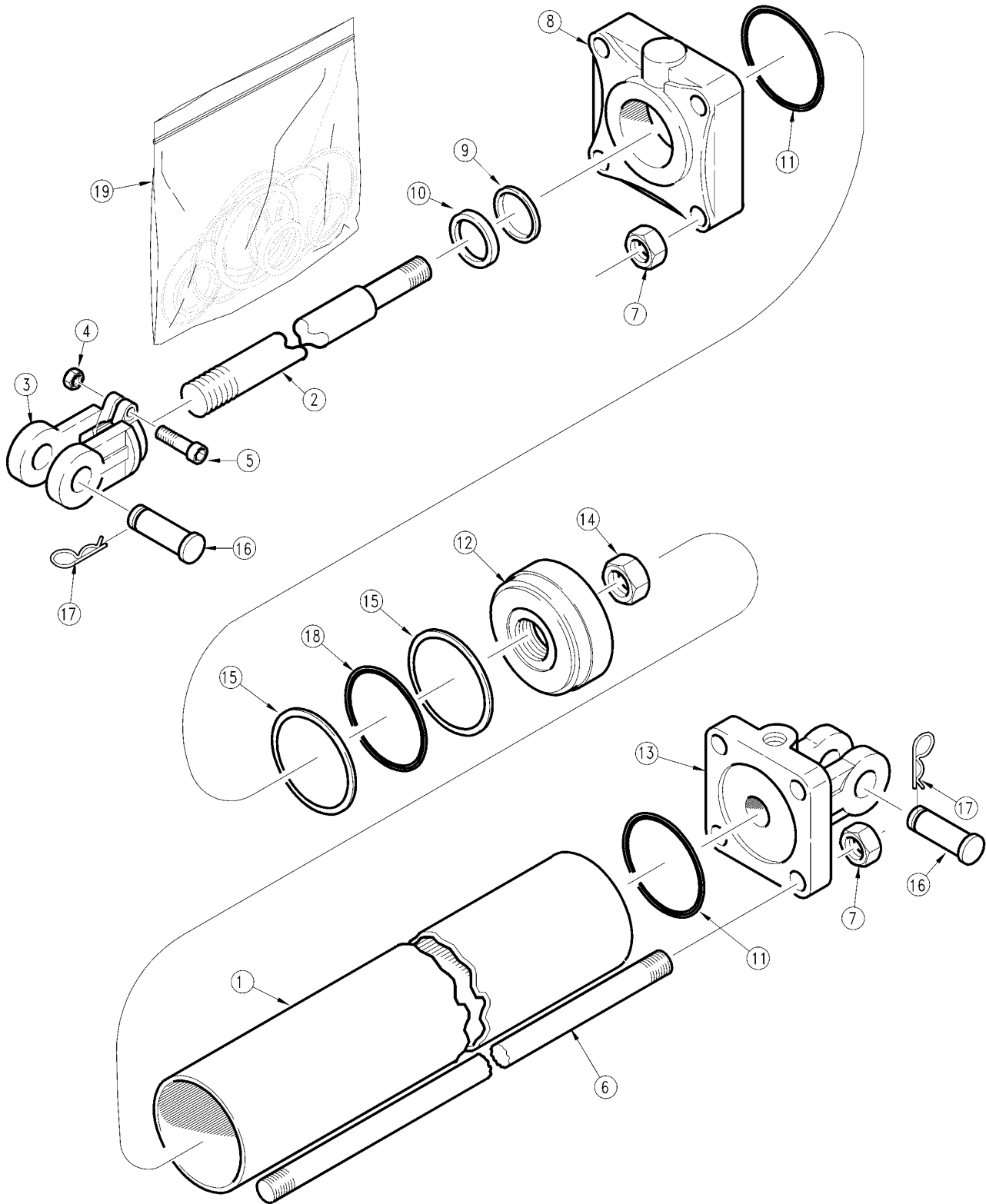
26905

Hydraulic Components**Applies to TB25108, TB2596**

Ref	Part No.	Part Description	Comments	Revision
	Dwg 26905	Drawing Image Number		
1.	802-933C	HFSS 3/8-16X1 1/4 GR5 ZNYCR	S/N 683193+	
1.	802-569C	HFSS 3/8-16X1 1/2 GR5	S/N 683192-	
2.	803-209C	NUT FLANGE LOCK 3/8-16 PLT		
3.	807-023C	SPRING HOSE LOOP		
4.	810-734C	CYL 2X6X1.125 WELDED		
5.	811-063C	EL 3/4MJIC 3/4MORB		
6.	811-091C	EL 3/4MJIC 1 1/16MORB	As Required (S/N 858540+)	
7.	811-205C	AD 3/4MJIC 1 1/16MORB	As Required	
8.	851-947C	CUP 1 1/16FORB MALE QUICK CPLR		
8.	811-744C	RPBY 851-947C	Obsolete	
9.	851-948C	CUP 1 1/16FORB FML QUICK CPLR		
9.	811-745C	RPBY 851-948C	Obsolete	
10.	841-205C	OREL 1/32 3/4MJIC 3/4MORB		
11.	851-362C	HH1/2R2 093 3/4FJIC E-Z FLEX	S/N 858540+	
11.	811-779C	HH1/2R2 099 3/4FJIC E-Z FLEX	S/N 683193 to 858539	
11.	811-671C	HH3/8R2 099 3/4FJIC	S/N 693192-	

Hydraulic Cylinder (810-601C) Midway

Applies to TB25108, TB2596



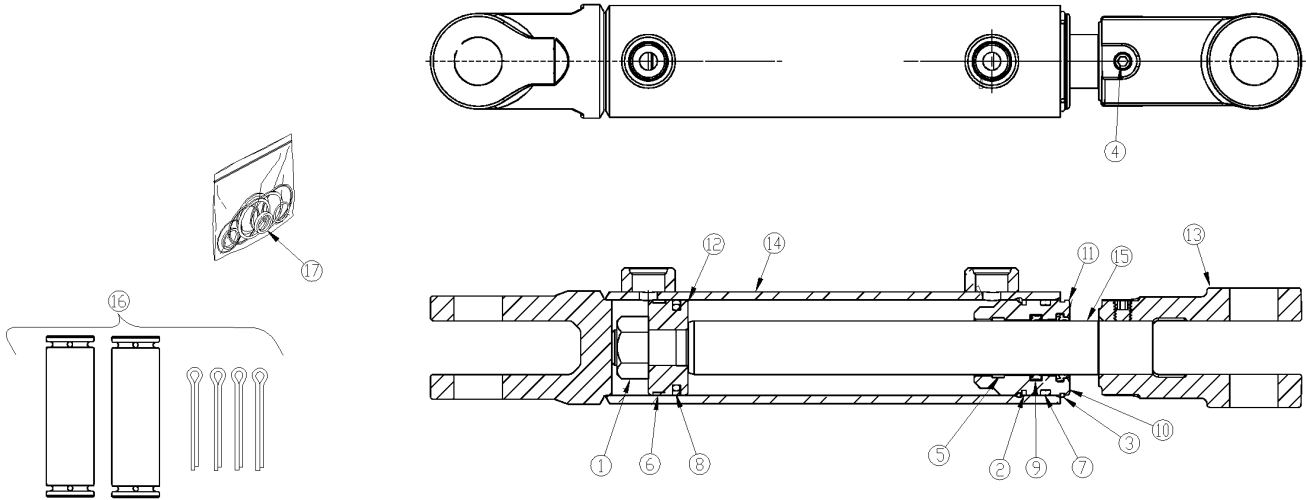
24812

Hydraulic Cylinder (810-601C) Midway**Applies to TB25108, TB2596**

Ref	Part No.	Part Description	Comments	Revision
	Dwg 24812	Drawing Image Number		
	810-601C	CYL 2X6X1.125 ROD (TIE ROD) *		
1.	N/A			
2.	N/A			
3.	1M6006-ADI	MIDWAY HARDENED CLEVIS ADI		
4.	803-234C	NUT HEX 3/8-16 PLAIN		
5.	802-023C	HHCS 3/8-16X1 3/4 GR5		
6.	N/A			
7.	803-234C	NUT HEX 3/8-16 PLAIN		
8.	N/A			
9.		*	Only in seat kit #19	
10.		*	Only in seat kit #19	
11.		*	Only in seat kit #19	
12.	N/A			
13.	N/A			
14.	803-114C	NUT LOCK 3/4-16 NYLOC COLLAR		
15.		*	Only in seat kit #19	
16.	805-004C	PIN CLEVIS 1 X 2 3/4 USABLE LG		
17.	805-088C	PIN, HAIR COTTER 3/16 WIRE DIA		
18.		*	Only in seat kit #19	
19.	3A2104	MIDWAY SEAL KIT 810-601C		

Hydraulic Cylinder (810-734C) Monarch

Applies to TB25108, TB2596



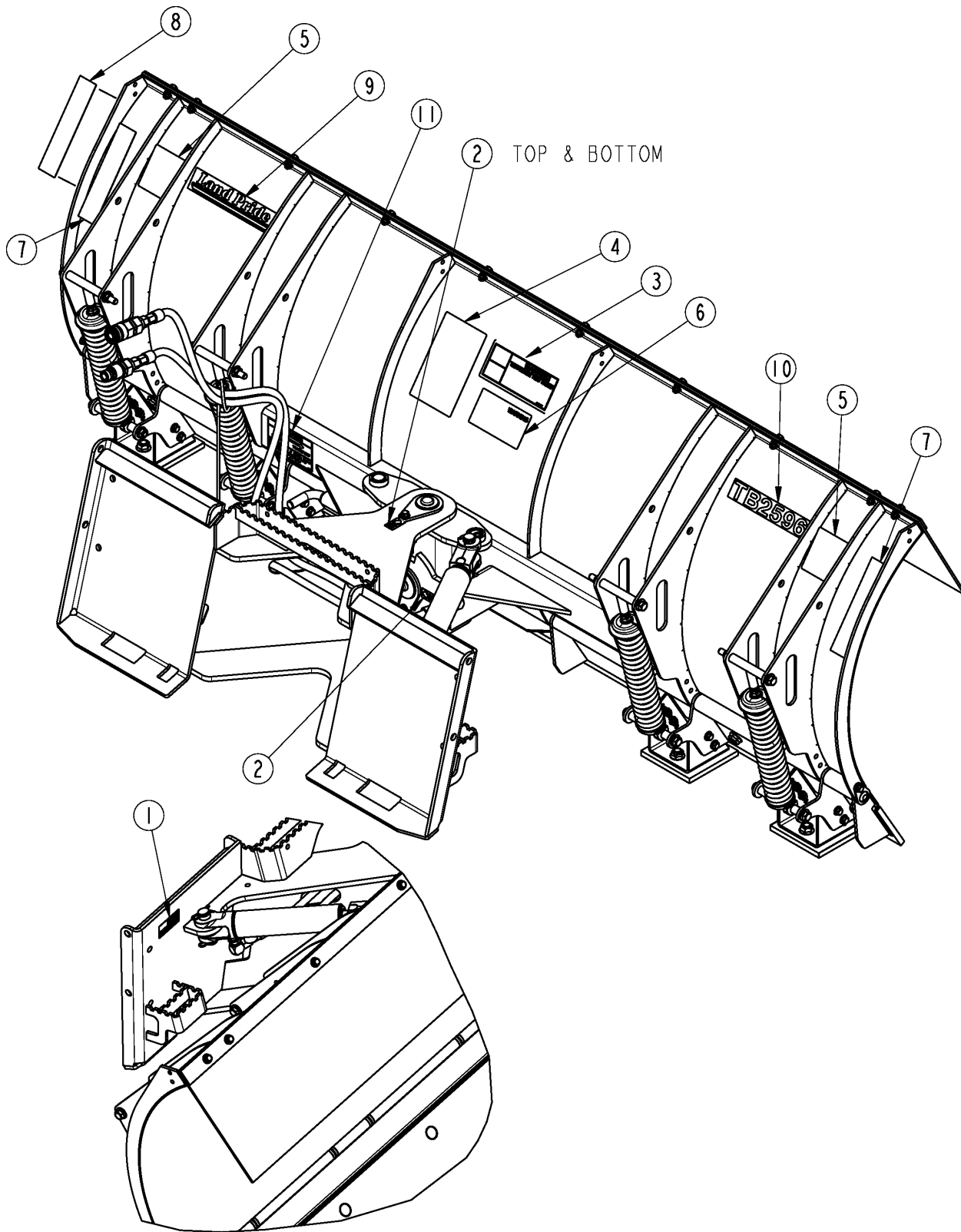
33401

Hydraulic Cylinder (810-734C) Monarch**Applies to TB25108, TB2596**

Ref	Part No.	Part Description	Comments	Revision
	Dwg 33401	Drawing Image Number		
	810-734C	CYL 2X6X1.125 WELDED		
1.	130556	MON PISTON NUT		
2.	138006	MON RETAINING RING INT 2.00		
3.	138007	MON RETAINING RING EXT 2.00		
4.	148000	MON NYLON THREAD PROTECTOR		
5.	N/A	MON WEAR RING 1.25-1.13-0.250		
6.	N/A	MON WEAR RING 2.00-1.88-0.260		
7.	N/A	MON SEAL ZURCON U-CUP RU9 1.13		
8.	N/A	MON SEAL ZURCON WYNSEAL 2.00		
9.	N/A	MON SEAL DUAL 2.00-.208		
10.	N/A	MON SEAL WIPER 1.13 WNUC TSS		
11.	258753	MON CYL HEAD 2.00-1.13-WET-TSS		
12.	258851	MON PISTON 2.00-.75-TSS-ISO-WR		
13.	492650	LION ROD CLEVIS 1 1/8-12UNF		
14.	741798	MON TUBE WELDT 2.00-06.00-W		
15.	741800	MON ROD CYL 1.12-06-0.75-1.12		
16.	134952	LION PIN CLIP-CLEVIS		
17.	649190	MON SEAL KIT RK 20WR-113		

Label Placement

Applies to TB25108, TB2596



26904

Label Placement**Applies to TB25108, TB2596**

Ref	Part No.	Part Description	Comments	Revision
	Dwg 26904	Drawing Image Number		
1.	818-190C	DECAL FLAG		
2.	818-298C	DECAL GREASE 25HRS BLACK/WHITE		
3.	818-831C	DECAL WARNING HIGH PRESSURE		
4.	838-106C	DECAL WARNING CRUSH ROCK RAKE		
5.	838-112C	DECAL DANGER PINCHING		
6.	838-293C	DECAL WARNING READ MANUAL		
7.	838-614C	DECAL REFLECTOR RED 2X9	S/N 814044+	
7.	818-230C	DECAL RED REFLECTOR	S/N 814043-	
8.	838-615C	DECAL REFLECTOR AMBER 2X9	S/N 814044+	
9.	848-159C	DECAL LANDPRIDE 10" BROWN/GOLD		
10.	848-343C	DECAL, TB2596 GOLD		
10.	848-344C	DECAL, TB25108 GOLD		
11.	848-374C	DECAL, CAUTION TB PIVOT LOCK		

Land Pride Touch-up Paints

Applies to TB25108, TB2596

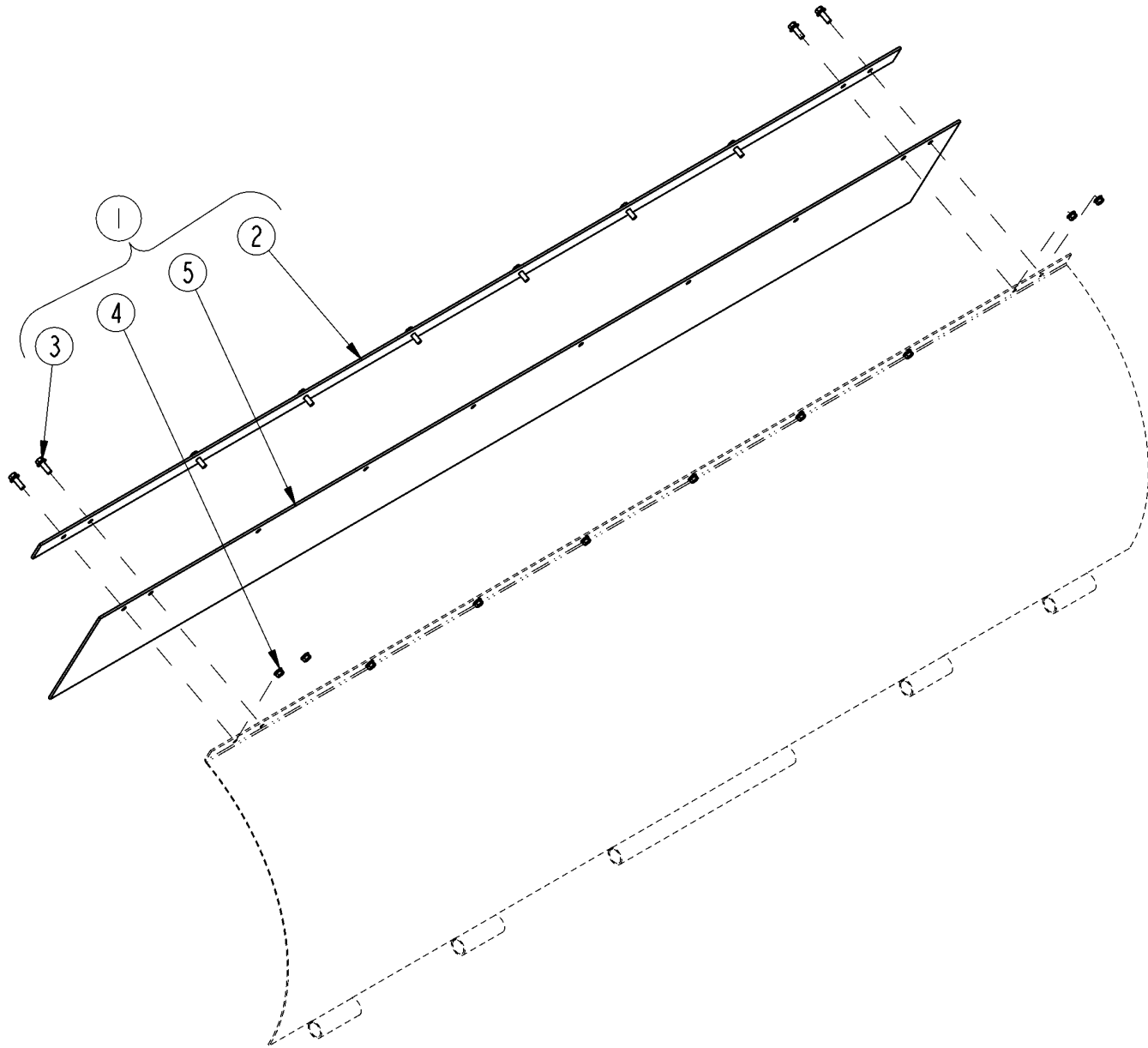
No diagram associated with this Parts List

Land Pride Touch-up Paints**Applies to TB25108, TB2596**

Ref	Part No.	Part Description	Comments	Revision
1.	821-011C	LP BEIGE SPRAY CAN	Spray can	
1.	821-070C	GLOSS BLACK SPRAY CAN	Spray can	
1.	821-054C	MED. RED SPRAY TRCK/CTR	Spray can	
1.	821-058C	GREEN SPRAY CUTTERS	Spray can	
1.	821-066C	ORANGE SPRAY CAN	Spray can	
1.	821-067C	BLUE SPRAY CAN	Spray can	
2.	821-011CTU	LP BEIGE TOUCH-UP 5OZ	Touch-up bottle with brush	
2.	821-070CTU	GLOSS BLACK TOUCH-UP 5OZ	Touch-up bottle with brush	
2.	821-054CTU	MED RED TOUCH-UP 5OZ	Touch-up bottle with brush	
2.	821-058CTU	GREEN TOUCH-UP 5OZ	Touch-up bottle with brush	
2.	821-066CTU	ORANGE TOUCH-UP 5OZ	Touch-up bottle with brush	
2.	821-067CTU	BLUE TOUCH-UP 5OZ	Touch-up bottle with brush	
3.	821-011CQT	LP BEIGE QUART	Quart can	
3.	821-070CQT	GLOSS BLACK QUART	Quart can	
3.	821-054CQT	MED RED QUART	Quart can	
3.	821-058CQT	GREEN QUART	Quart can	
3.	821-066CQT	ORANGE QUART	Quart can	
3.	821-067CQT	BLUE QUART	Quart can	
4.	821-011CGL	LP BEIGE GALLON	Gallon can	
4.	821-070CGL	GLOSS BLACK GALLON	Gallon can	
4.	821-054CGL	MED RED GALLON	Gallon can	
4.	821-058CGL	GREEN GALLON	Gallon can	
4.	821-066CGL	ORANGE GALLON	Gallon can	
4.	821-067CGL	BLUE GALLON	Gallon can	

Deflector, Top Edge

Applies to TB25108, TB2596



26917

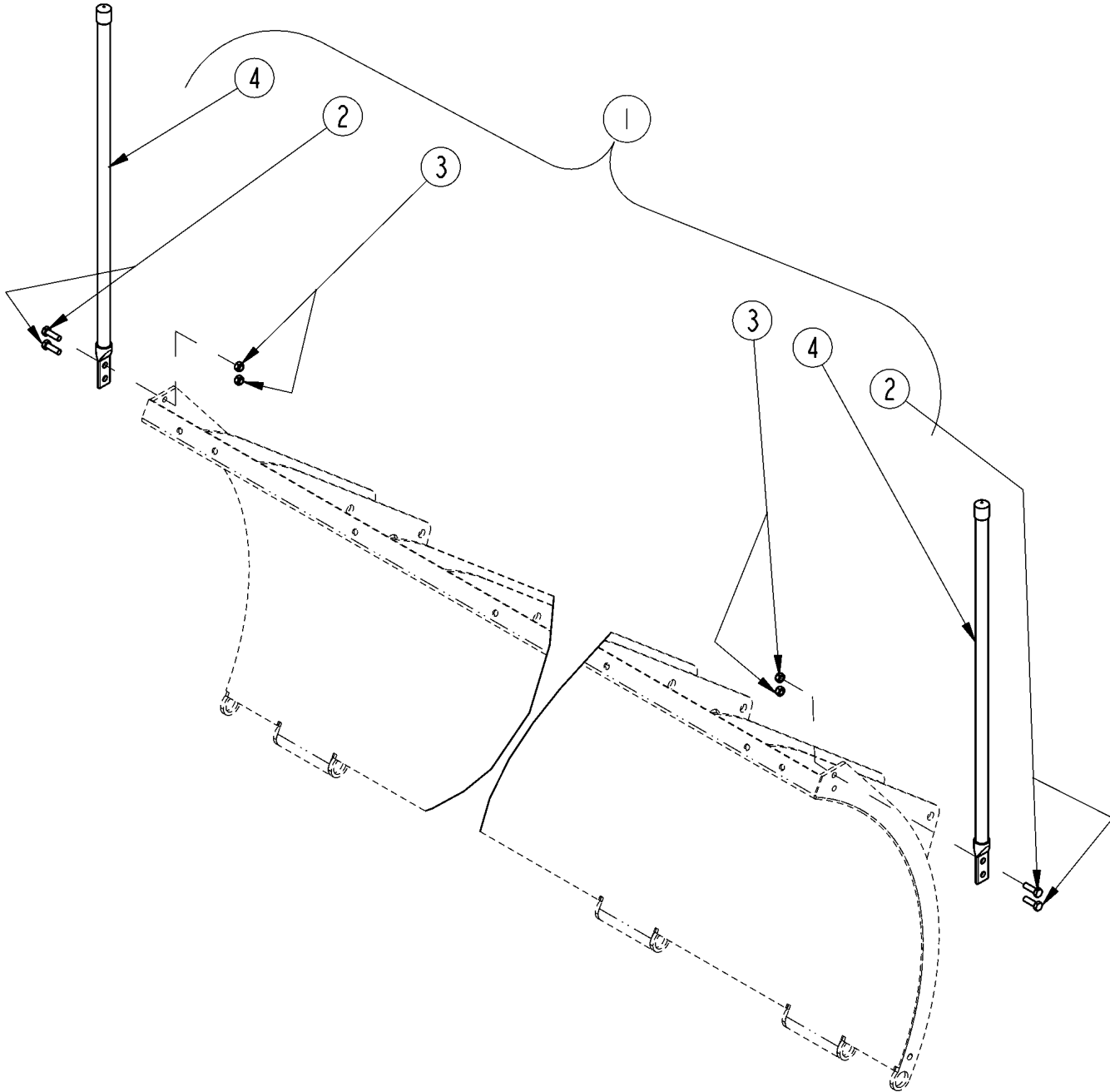
Deflector, Top Edge

Applies to TB25108, TB2596

Ref	Part No.	Part Description	Comments	Revision
	dwg26917	Drawing Image Number		
1.	301-306A	PACKAGE, TB2596 DEFLECTOR		
1.	301-305A	PACKAGE, TB25108 DEFLECTOR		
2.	301-351D	PLATE, 96" DEF FLAP BACKING		
2.	301-350D	PLATE, 108" DEF FLAP BACKING		
3.	802-388C	HFS 3/8-16X1 GR5		
4.	803-209C	NUT FLANGE LOCK 3/8-16 PLT		
5.	816-638C	FLAP, 96" TB DEFLECTOR		
5.	816-637C	FLAP, 108" TB DEFLECTOR		

Marker Edge

Applies to TB25108, TB2596



26906

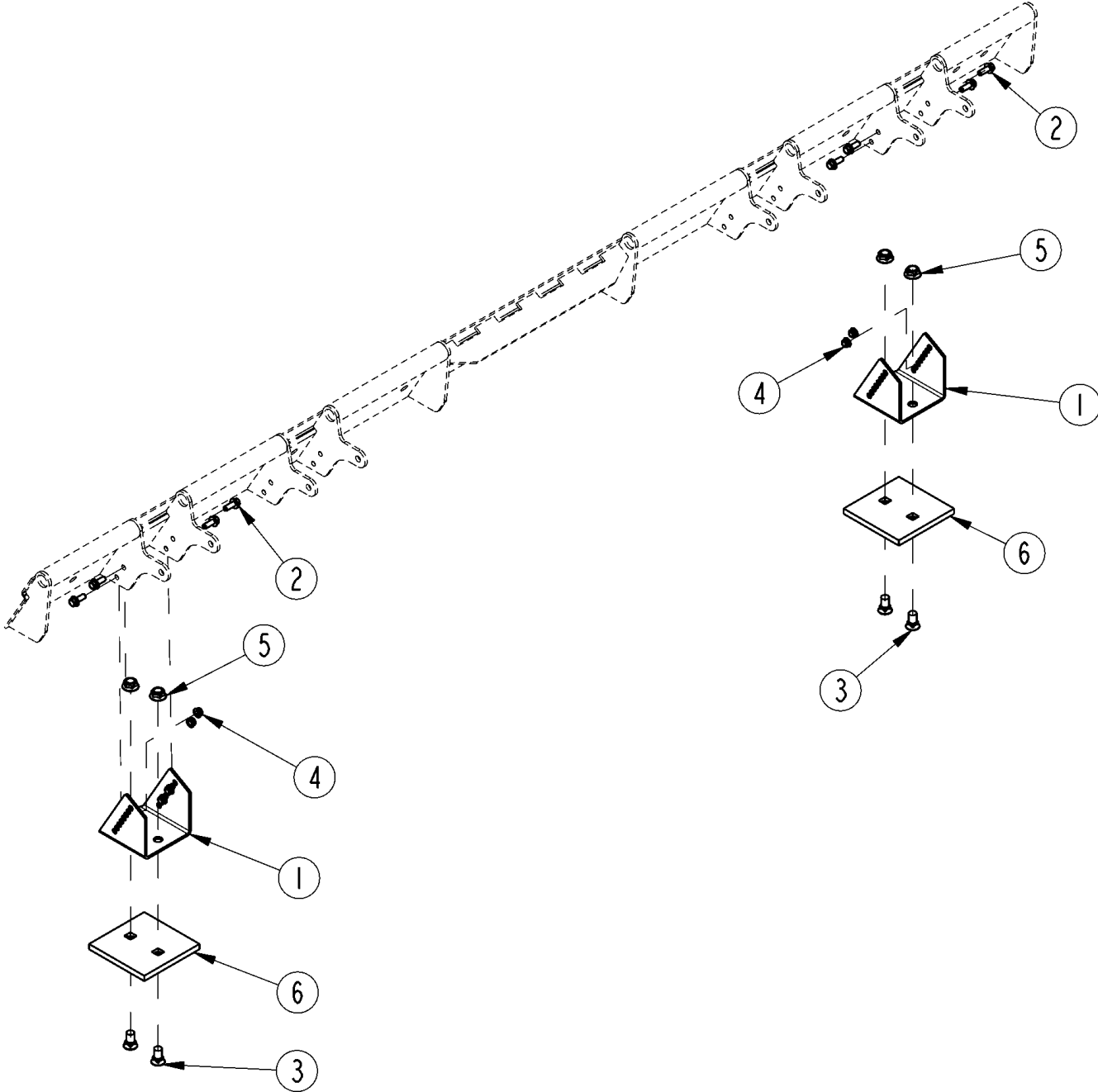
Marker Edge

Applies to TB25108, TB2596

Ref	Part No.	Part Description	Comments	Revision
	Dwg 26906	Drawing Image Number		
1.	323-026A	MARKER ASSY.	S/N 865896+	
1.	301-290A	RPBY 323-026A	S/N 865895-	
2.	802-159C	HHCS 5/16-18X1 GR5		
3.	803-084C	NUT HEX NYLOCK 5/16-18 PLT		
4.	N/A	MARKER ORANGE 28"		

Skid Shoe Service Kit

Applies to TB25108, TB2596



33202

Skid Shoe Service Kit

Applies to TB25108, TB2596

Ref	Part No.	Part Description	Comments	Revision
	dwg33202	Drawing Image Number		
	301-376V	ASSY, TB25 SKID SHOE PAIR *		
1.	301-456D	MOUNT, TB25 SKID SHOE		
2.	802-388C	HFS 3/8-16X1 GR5		
3.	802-813C	PLOW 5/8-11X1 1/4 GR5		
4.	803-209C	NUT FLANGE LOCK 3/8-16 PLT		
5.	803-263C	NUT HEX FLANGE LOCK 5/8-11 PLT		
6.	891-249C	SHOE, 6X6X.5 AR400 SKID		



Part Number Index

The Part Number Index is a numeric index of all part numbers included in this manual. The index shows what page(s) the part is used on.

<u>Part Number</u>	<u>Page</u>	<u>Part Number</u>	<u>Page</u>	<u>Part Number</u>	<u>Page</u>
121-154D	7, 9	805-065C	7	Dwg 26906	29
130556	21	805-088C	7, 9, 19	Dwg 33393	9
134952	21	807-023C	17	Dwg 33401	21
138006	21	807-262C	7, 9	dwg26883	7
138007	21	810-601C	19	dwg26885	11
148000	21	810-734C	17, 21	dwg26886	13
1M6006-ADI	19	811-063C	17	dwg26899	15
258753	21	811-091C	17	dwg26917	27
258851	21	811-205C	17	dwg33202	31
301-034H	15	811-671C	17	N/A	19, 21, 29
301-260H	7, 9	811-744C	17		
301-262H	7, 9	811-745C	17		
301-263H	7, 9	811-779C	17		
301-265H	7, 9	812-236C	7, 9		
301-266H	7, 9	816-306C	7, 9		
301-271A	13	816-637C	27		
301-272A	11	816-638C	27		
301-274A	13	817-819C	11		
301-275A	11	817-820C	11		
301-277H	7, 9	817-833C	7, 9, 15		
301-287H	15	818-190C	23		
301-288H	7, 9	818-230C	23		
301-290A	29	818-298C	23		
301-292H	7	818-831C	23		
301-293H	7	820-391C	13		
301-297V	7, 9	820-392C	13		
301-298H	7, 9	821-011C	25		
301-300S	7, 9	821-011CGL	25		
301-301S	15	821-011CQT	25		
301-305A	27	821-011CTU	25		
301-306A	27	821-054C	25		
301-344D	11	821-054CGL	25		
301-345D	11	821-054CQT	25		
301-348D	7, 9	821-054CTU	25		
301-350D	27	821-058C	25		
301-351D	27	821-058CGL	25		
301-376V	31	821-058CQT	25		
301-456D	9, 31	821-058CTU	25		
323-026A	29	821-066C	25		
357-394D	7, 9	821-066CGL	25		
3A2104	19	821-066CQT	25		
492650	21	821-066CTU	25		
649190	21	821-067C	25		
741798	21	821-067CGL	25		
741800	21	821-067CQT	25		
800-080C	7, 9, 15	821-067CTU	25		
802-023C	19	821-070C	25		
802-159C	29	821-070CGL	25		
802-185C	7, 9, 15	821-070CQT	25		
802-388C	7, 9, 27, 31	821-070CTU	25		
802-464C	11	827-001C	7		
802-467C	7	827-002C	7		
802-550C	7, 9	838-106C	23		
802-569C	17	838-112C	23		
802-745C	7, 9	838-293C	23		
802-813C	9, 13, 31	838-614C	23		
802-933C	15, 17	838-615C	23		
803-036C	7, 9	841-205C	17		
803-037C	9	848-159C	23		
803-084C	29	848-343C	23		
803-114C	19	848-344C	23		
803-169C	7, 9	848-374C	23		
803-193C	7, 9	851-362C	17		
803-209C	7, 9, 15, 17, 27, 31	851-947C	17		
803-234C	19	851-948C	17		
803-263C	9, 11, 13, 31	890-005C	7, 9, 15		
803-304C	11, 13	891-249C	9, 31		
804-029C	7	Dwg 24812	19		
805-004C	19	Dwg 26904	23		
		Dwg 26905	17		

This Page Intentionally Left Blank



Great Plains Manufacturing, Inc.

Corporate Office: P.O. Box 5060
Salina, Kansas 67402-5060 USA

www.landpride.com
