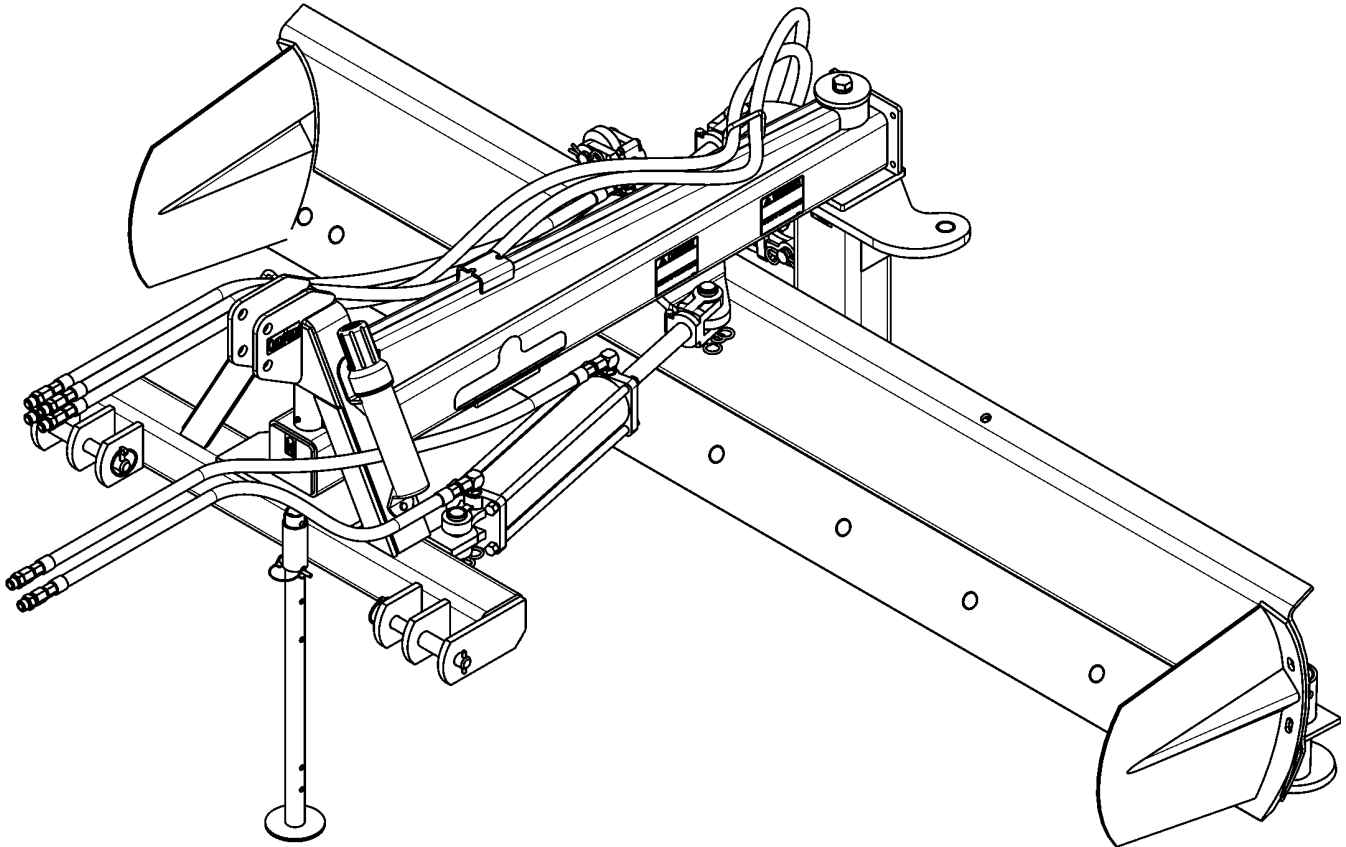


Rear Blade

RBT3572, RBT3584 & RBT3596



24747

301-251P **Parts Manual**



Read the Operator's Manual entirely. When you see this symbol, the subsequent instructions and warnings are serious - follow without exception. Your life and the lives of others depend on it!

© Copyright 2017 Printed 12/26/17

Cover photo may show optional equipment not supplied with standard unit.





Table of Contents

Section 1: Introduction.....	4
Using This Manual.....	4
Manual Replacement Information.....	4
Manual Revisions.....	4
Touch-up Paint.....	4
Hardware Legend.....	5
Replacement Hardware.....	5
Serial Numbers.....	5
Part Number Service Coding.....	5
Section 2: Frame & Moldboard.....	6
Frame & Hitch.....	6
Manual Offset.....	8
Angling & Tilt.....	8
Moldboard.....	10
Section 3: Hydraulics.....	12
Hydraulic Angling.....	12
Hydraulic Cylinder (810-558C) Cross.....	14
Hydraulic Cylinder (810-601C) Midway.....	16
Hydraulic Offset.....	18
Hydraulic Tilting.....	20
Section 4: Labels.....	22
Label Placement.....	22
Land Pride Touch-up Paints.....	24
Section 5: Options & Accessories.....	26
End Plates.....	26
Gauge Wheel Hydraulic.....	28
Gauge Wheel Manual.....	30
Hub Assembly 4-Bolt W/ Zerk & Studs (815-092C).....	32
Hydraulic Cushion Valve.....	34
Hydraulic Cylinder (810-162C) Cross.....	36
Hydraulic Cylinder (810-162C) Midway.....	38
Hydraulic Cylinder (810-162C) Red Lion.....	40
Hydraulic Selector Valve.....	42
Skid Shoe.....	44
 Part Number Index.....	 46

© Copyright 2017. All rights reserved.

Land Pride provides this publication “as is” without warranty of any kind, either expressed or implied. While every precaution has been taken in the preparation of this manual, Land Pride assumes no responsibility for errors or omissions. Neither is any liability assumed for damages resulting from the use of the information contained herein. Land Pride reserves the right to revise and improve its products as it sees fit. This publication describes the state of this product at the time of its publication, and may not reflect the product in the future. The illustrations in this manual are not intended for safe and proper assembly or disassembly of equipment. The illustrations are intended for ordering parts only.

Land Pride is registered trademark.

All other brands and product names are trademarks or registered trademarks of their respective holders.

Printed in the United States of America.



Alphabetized Table of Contents

E	
End Plates.....	26
F	
Frame & Hitch.....	6
G	
Gauge Wheel Hydraulic.....	28
Gauge Wheel Manual.....	30
H	
Hub Assembly 4-Bolt W/ Zerk & Studs (815-092C).....	32
Hydraulic Angling.....	12
Hydraulic Cushion Valve.....	34
Hydraulic Cylinder (810-162C) Cross.....	36
Hydraulic Cylinder (810-162C) Midway.....	38
Hydraulic Cylinder (810-162C) Red Lion.....	40
Hydraulic Cylinder (810-558C) Cross.....	14
Hydraulic Cylinder (810-601C) Midway.....	16
Hydraulic Offset.....	18
Hydraulic Selector Valve.....	42
Hydraulic Tilting.....	20
L	
Label Placement.....	22
Land Pride Touch-up Paints.....	24
M	
Manual Offset, Angling & Tilt.....	8
Moldboard.....	10
S	
Skid Shoe.....	44

General Information

Using This Manual

This manual is divided into sections. The first section contains General Information. The remaining sections divide the machine into segments (i.e. Frames, Drives, Hydraulics, etc.) which illustrate and list all parts. A Parts Number Index is located at the back of the book.

The Land Pride parts in this manual are specially designed for this machine and should be replaced with Land Pride parts only.

The information in this manual is current at time of printing. Some parts may change to assure top performance.

Right-hand and left-hand as used in this manual are determined by facing the direction the machine will travel while in use.

Below is an example of two facing pages from a parts manual. Familiarize yourself with the type of information contained on these pages.

Manual Replacement Information

Replacement manuals are available. Refer to our website at www.landpride.com or e-mail us at lit@landpride.com for additional information. Our website continues to provide the most up-to-date manuals available.

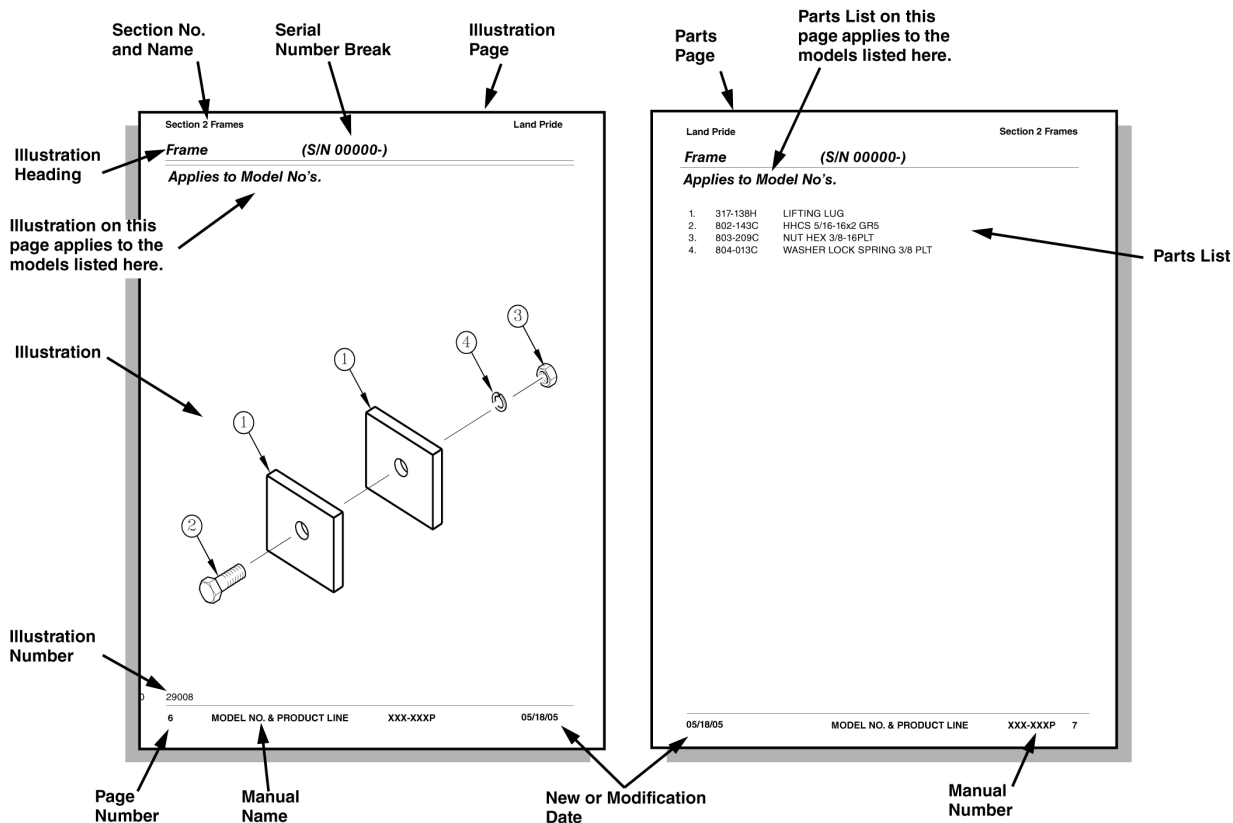
Touch-up Paint

Repaint parts where paint is worn or scratched to prevent rust. Aerosol cans and touch-up bottles with brush applicator are available through your local dealer. Land Pride color descriptions and part numbers are listed below. Also available are quart and gallon size paints. Add QT or GL to end of the Aerosol P/N.

Color	Product*	Aerosol	Touch-Up
Gloss Black	LP	821-070C	821-070CTU
Beige	LP	821-011C	821-011CTU
Green	SLP	821-058C	821-058CTU
Orange	SLP	821-066C	821-066CTU
Red	SLP	821-054C	821-054CTU
Blue	SLP	821-067C	821-067CTU

Notes:

- * LP = All Land Pride Products
- SLP = Select Land Pride Products that are available in optional Green, Orange and Red.



General Information

Hardware Legend

AR	As Required
BLADE	Blade Bolt
C	Cap Screw
CP	Cotter Pin
CPHSSS	Cup Point Hex Socket Set Screw
CPSHSS	Cup Point Square Head Set Screw
CPSQHSS	Cup Point Square Head Set Screw
CRFCHMS3	Cross Recess Flat Countersunk Head Machine Screw
CRPHMS	Cross Recess Pan Head Machine Screw
CRPHTF	Cross Recess Pan Head Thread Forming
CRRHMS	Cross Recess Round Head Machine Screw
CRTHMS	Cross Recess Truss Head Machine Screw
CSNB	Countersunk Square Neck Bolt
FHMS	Flat Head Machine Screw
FTC	Full Thread Cap Screw
H	Hex Nut
HCLN	Hex Center Lock Nut
HFLCS	Hex Flange Lock Cap Screw
HFS	Hex Flange Screw
HFSLN	Hex Flange Serrated Lock Nut
HFSS	Hex Flange Serrated Screw
HHCS	Hex Head Cap Screw or Metric Bolt
HSBHCS	Hex Socket Button Head Cap Screw
HSFCHCS	Hex Socket Flat Countersunk Head Cap Screw
HSHCS	Hex Socket Head Cap Screw
HSSS	Hex Socket Head Screw
HTLN	Hex Top Lock Nut
HWHCS	Hex Washer Head Cap Screw

HWHMS	Hex Washer Head Machine Screw
HXBHCS	Hex Socket Button Head Cap Screw
J	Hex Jam Nut
JIC	37 Degree Tapered Thread
L	Helical Spring Lock Washer
LUG	Lug Bolt
NFC	National Fine Cap Screw
NPSM	National Pipe Straight Mechanical
NPTF	National Pipe Taper Fuel
P	Wide Plain Washer
PHMS	Pan Head Machine Screw
PLOW	Plow Bolt
RHMS	Round Head Machine Screw
RHSNB	Round Head Square Neck Bolt
SCREW LEVELING	Leveling Screw
SCREW THUMB	Thumb Screw
SCREW WELD	Weld Screw
SFCHMS	Slotted Flat Countersunk Head Machine Screw
SFHMS	Slotted Fillister Head Machine Screw
SP	Special
SP SCREW	Special Screw
SQHSS	Square Head Set Screw
SRHMS	Slotted Round Head Machine Screw
SSS	Socket Set Screw
STCS	Self Tapping Cap Screw
STHMS	Slotted Truss Head Machine Screw
WHEEL	Wheel Studs and Hub Long Bolts
WING	Wing Bolt

Replacement Hardware

The **Hardware Legend** above lists hardware abbreviations used in the parts list. All bolts and nuts are Grade 5 unless otherwise noted. The use of improper grades of hardware can result in personal injury, damage to equipment, or loss of property.

Colored Replacement Parts

Land Pride offers replacement parts in factory standard colors and also on select models in Green, Orange, Red and Blue. Because of the variety of colors available, special attention must be given to the part number to prevent ordering the wrong replacement part.

A suffix number corresponding to one of the colors below must be added at the end of Land Pride's part number when ordering a replacement part with that color.

81 **Green** **83** **Red**
82 **Orange** **84** **Blue**

For example, if you are ordering a replacement part with part number 555-555C and the part you need is red, then add the suffix 83 to the end of the number to make the part number read 555-555C83. Parts ordered without a suffix number will be supplied in factory standard colors.

Black Replacement Parts

Some parts are factory standard black and some must be special ordered black. If your part is special ordered black, a second part number with the additional suffix number 85 on the end will be available. In this situation you must order that part with the suffix number for it to be black. Parts that are factory standard black will not have the suffix number.

Part Number Service Coding

Within the parts list some part numbers are coded for revisions and interchangeability. See notations in revision column.

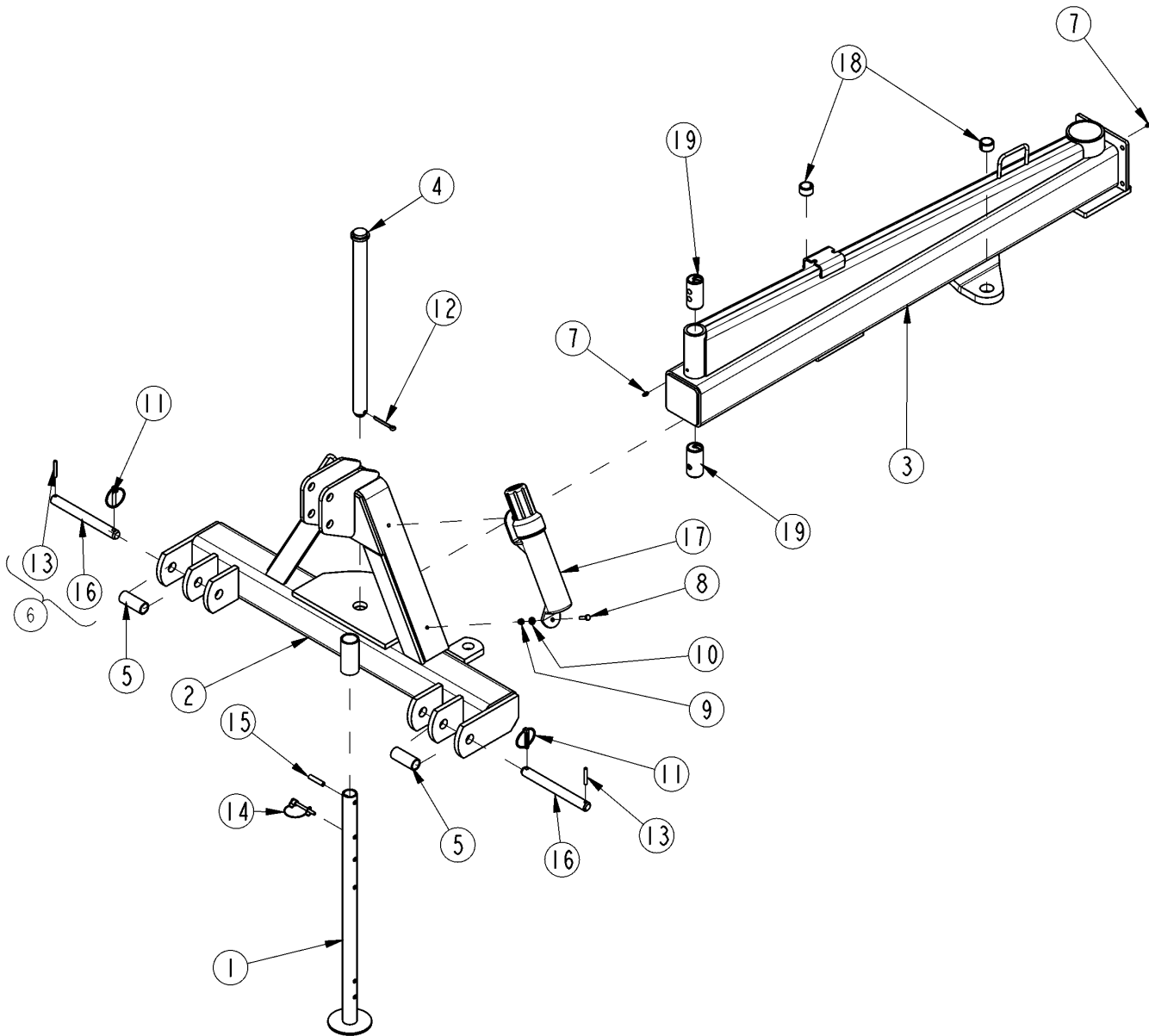
Serial Numbers

Always use the serial and model number when ordering parts. Refer to the Operator's Manual for serial number plate location.

- (S/N 20001+) Includes serial numbers 20001 and above (to the latest number)
- (S/N 10001 to 20000) Includes serial numbers between and including 10001 and 20000
- (S/N 10000-) Includes serial numbers 10000 and below (to the earliest number)

Frame & Hitch

Applies to RBT3572, RBT3584, RBT3596



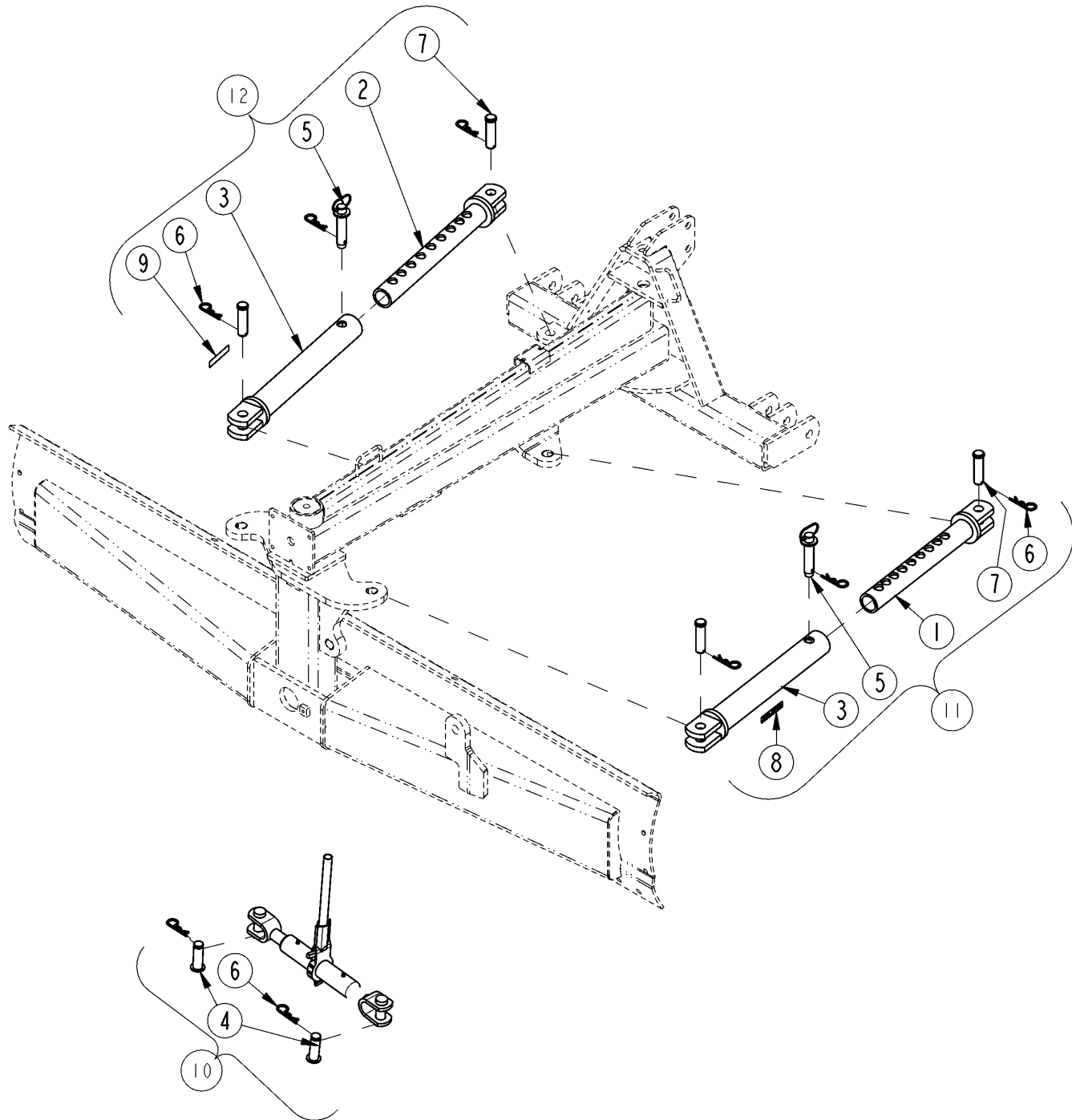
24805

Frame & Hitch**Applies to RBT3572, RBT3584, RBT3596**

Ref	Part No.	Part Description	Comments	Revision
	dwg24805	Drawing Image Number		
1.	300-171H	SUPPORT STAND LR & RB35/25/15		
2.	300-210H	HITCH WELDMENT RBT35		
2.	300-210H81	HITCH WELDMENT RBT35 GREEN		
2.	300-210H82	HITCH WELDMENT RBT35 ORANGE		
3.	300-212H	REAR FRAME WELDMENT		
3.	300-212H81	REAR FRAME WELDMENT GREEN		
3.	300-212H82	REAR FRAME WELDMENT ORANGE		
4.	300-213H	FRONT PIVOT SHAFT WELDMENT		
5.	300-296D	BUSHING		
6.	305-067S	LOWER HITCH PIN ASSY		
7.	800-080C	GREASE ZERK 1/4-28 THD FORMING		
8.	802-224C	HHCS 1/4-20X1 1/4 GR5		
9.	803-255C	NUT HEX NYLOCK 1/4-20		
10.	804-007C	WASHER FLAT 1/4 SAE PLT		
11.	805-015C	PIN LINCH 5/16 X 1 3/4		
12.	805-021C	PIN COTTER 1/4 X 2 PLT		
13.	805-041C	PIN ROLL 1/4X1 3/4		
14.	805-065C	PIN WIRE RETAINING 1/4 X 1 3/4		
15.	805-161C	PIN ROLL 3/8 X 1 3/4 LG PLT		
16.	805-272C	PIN 7/8 OD X 7 5/16 USABLE		
17.	816-504C	MANUAL STORAGE CONTAINER		
18.	890-143C	BUSHING HARDENED 1 1/4-1-3/4 L		
19.	890-389C	BUSHING 1.50ODX1.25IDX2.94		

Manual Offset, Angling & Tilt

Applies to RBT3572, RBT3584, RBT3596



24807

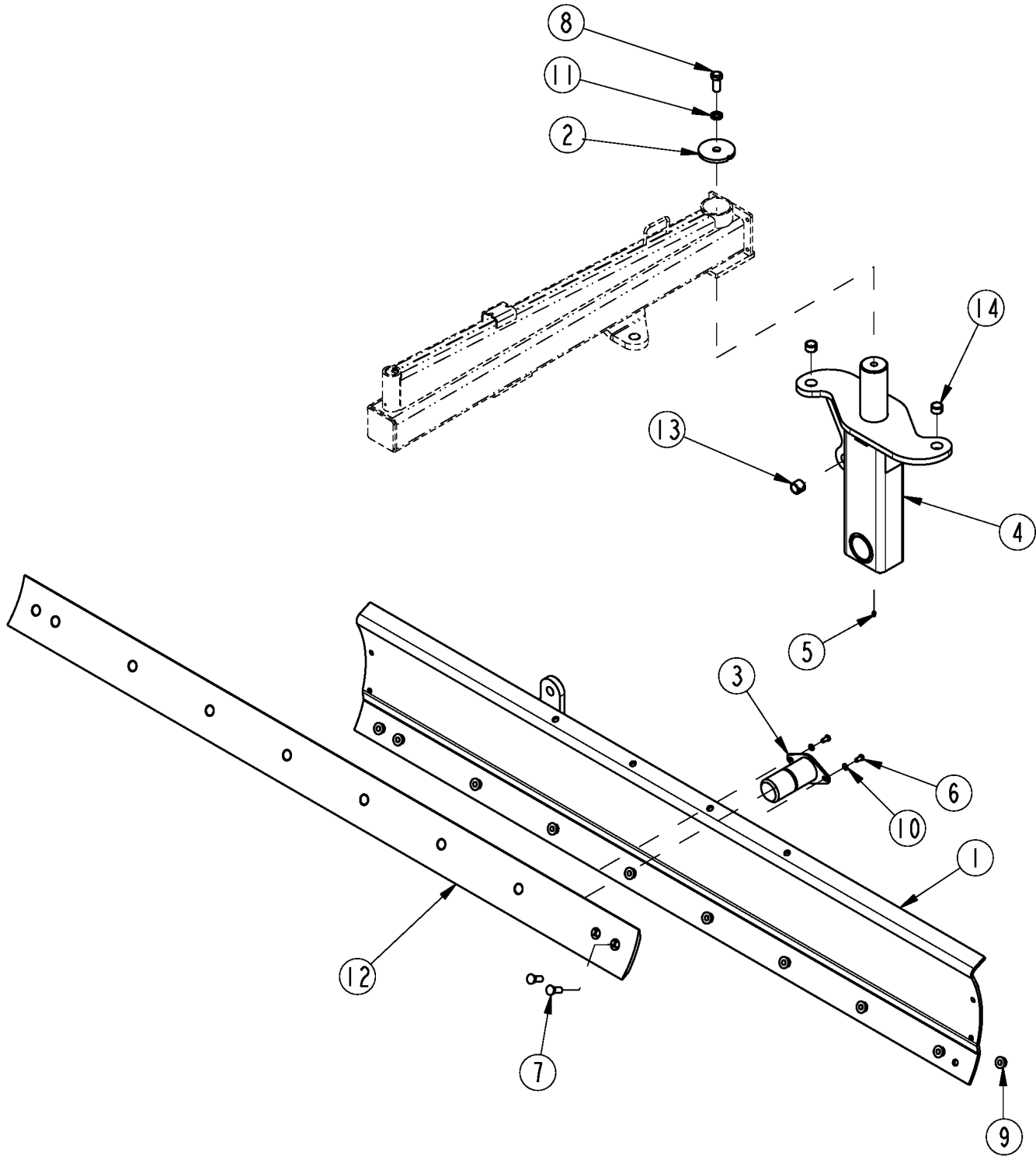
Manual Offset, Angling & Tilt

Applies to RBT3572, RBT3584, RBT3596

Ref	Part No.	Part Description	Comments	Revision
	dwg24807	Drawing Image Number		
1.	300-220H	LINK, MANUAL WELDMENT-MALE		
2.	300-222H	LINK, MANUAL WELDMENT-MALE		
3.	300-223H	LINK, MANUAL WELDMENT-FEMALE		
4.	805-004C	PIN CLEVIS 1 X 2 3/4 USABLE LG		
5.	805-007C	PIN HITCH 1 X 3 3/8 USABLE LG		
6.	805-088C	PIN, HAIR COTTER 3/16 WIRE DIA		
7.	805-090C	PIN CLEVIS 1 X 3 3/16 LG		
8.	848-084C	DECAL 300-224A, RBT35 ANGLING		
9.	848-085C	DECAL 300-217A, RBT35 OFFSET		
10.	890-637C	RATCHET JACK 16.25 - 22.25		
11.	300-224A	T35 MANUAL ANGLING LINK ASSY		
12.	300-217A	T35 MANUAL OFFSET LINK ASSY		

Moldboard

Applies to RBT3572, RBT3584, RBT3596



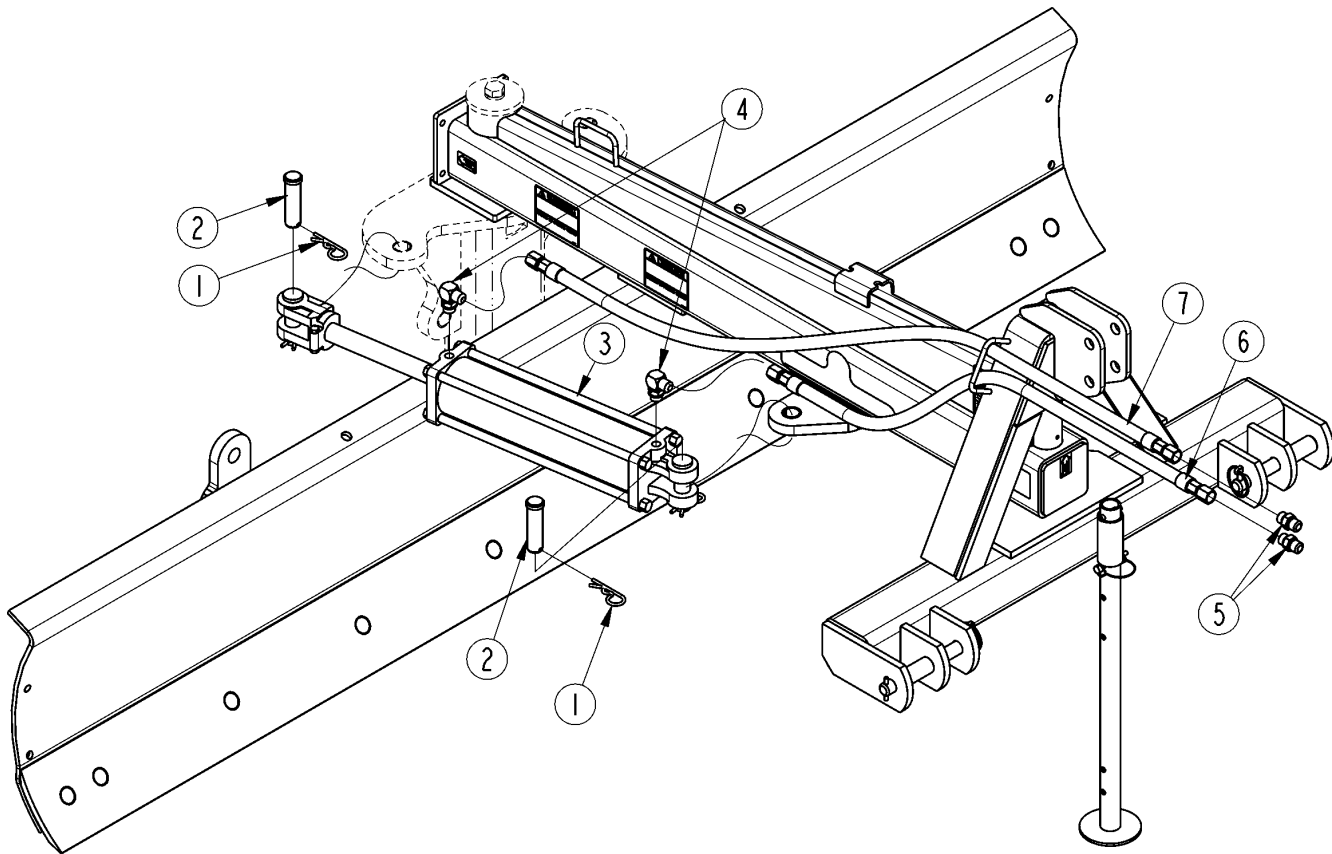
24806

Moldboard**Applies to RBT3572, RBT3584, RBT3596**

Ref	Part No.	Part Description	Comments	Revision
	Dwg 24806	Drawing Image Number		
1.	301-323H	8' -35 T SERIES BLADE WLDMENT	S/N 633630+	
1.	301-243H	RPBY 301-323H	S/N 633629-	
1.	301-322H	7' -35 T SERIES BLADE WLDMENT	S/N 633630+	
1.	301-255H	RPBY 301-322H	S/N 633629-	
1.	301-257H	RBT3572 BLADE WELDMENT		
2.	301-240D	40 PIVOT CAP	S/N 911765+	
2.	301-303D	RETAINER CAP	S/N 911764-	
3.	301-246H	ANGLING PIN WELDMENT	At S/N 793254+ this pin has 2 bolt holes. At S/N 793253- the pin had 1 Bolt hole.	
4.	301-250H	STEM WELDMENT		
5.	800-080C	GREASE ZERK 1/4-28 THD FORMING		
6.	802-014C	HHCS 3/8-16X3/4 GR5		
7.	802-206C	PLOW 5/8-11X1 3/4 GR5		
8.	802-292C	HHCS 3/4-16X1 3/4 GR5		
9.	803-304C	NUT HEX WHIZ 5/8-11 PLT	S/N 815206+	
9.	803-263C	NUT HEX FLANGE LOCK 5/8-11	S/N 815205-	
10.	804-013C	WASHER LOCK SPRING 3/8 PLT		
11.	804-023C	WASHER LOCK SPRING 3/4 PLT		
12.	820-035C	GRADER BLADE 1/2 X 6 X 95 1/2		
12.	820-046C	GRADER BLADE 1/2 X 6 X 83 1/2		
12.	820-043C	GRADER BLADE 1/2 X 6 X 71 1/2		
13.	890-005C	BUSHING CYL 1 1/4 X 1 X 1		
14.	890-143C	BUSHING HARDENED 1 1/4-1-3/4 L		

Hydraulic Angling

Applies to RBT3572, RBT3584, RBT3596



24754

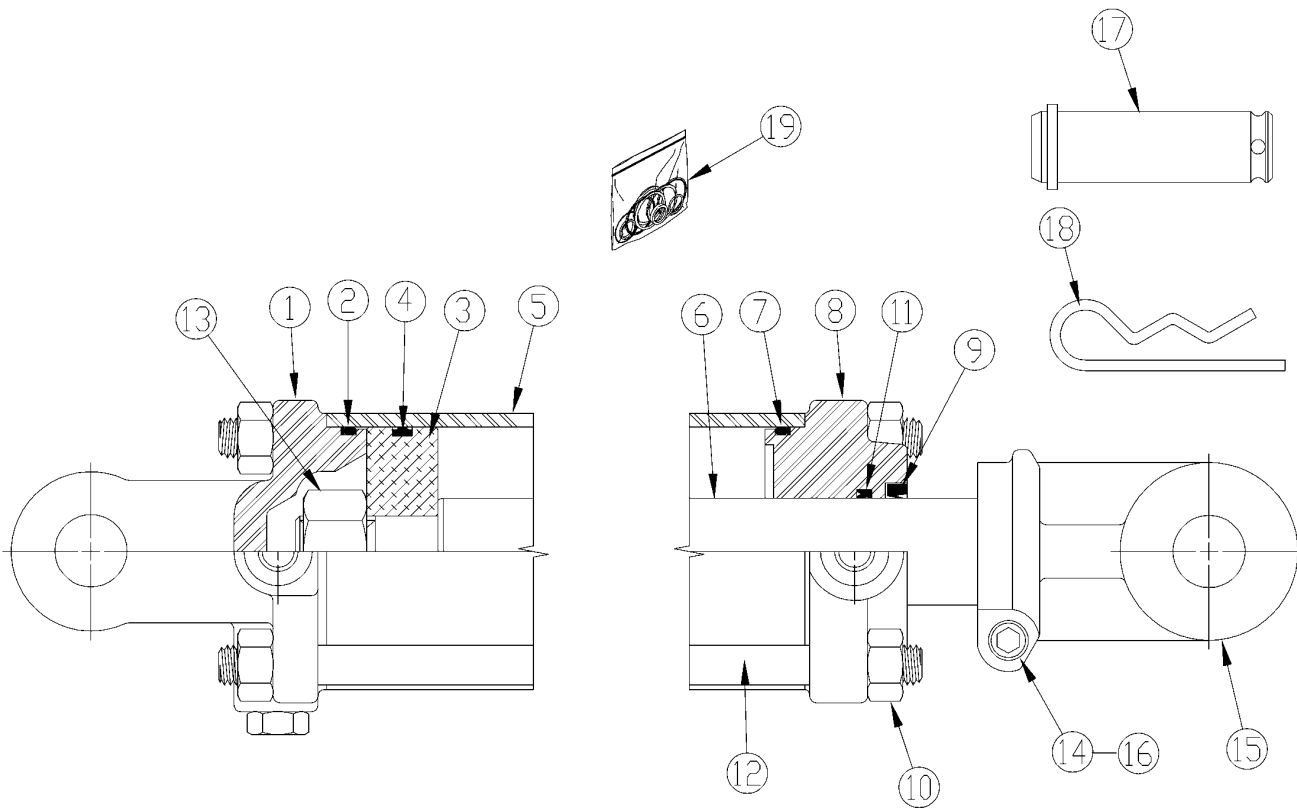
Hydraulic Angling

Applies to RBT3572, RBT3584, RBT3596

Ref	Part No.	Part Description	Comments	Revision
	dwg24754	Drawing Image Number		
	300-216A	T35 HYD OFFSET&ANGL CYL ASSY *		
1.	805-088C	PIN, HAIR COTTER 3/16 WIRE DIA		
2.	805-090C	PIN CLEVIS 1 X 3 3/16 LG		
3.	810-558C	CYL 3.5X14X1.25 ROD (TIE ROD)		
4.	811-063C	EL 3/4MJIC 3/4MORB		
5.	811-088C	AD 3/4MORB 3/4MJIC		
6.	811-985C	HH3/8R2 078 3/4FJIC		
7.	841-006C	HH3/8R2 087 3/4FJIC		

Hydraulic Cylinder (810-558C) Cross

Applies to RBT3572, RBT3584, RBT3596



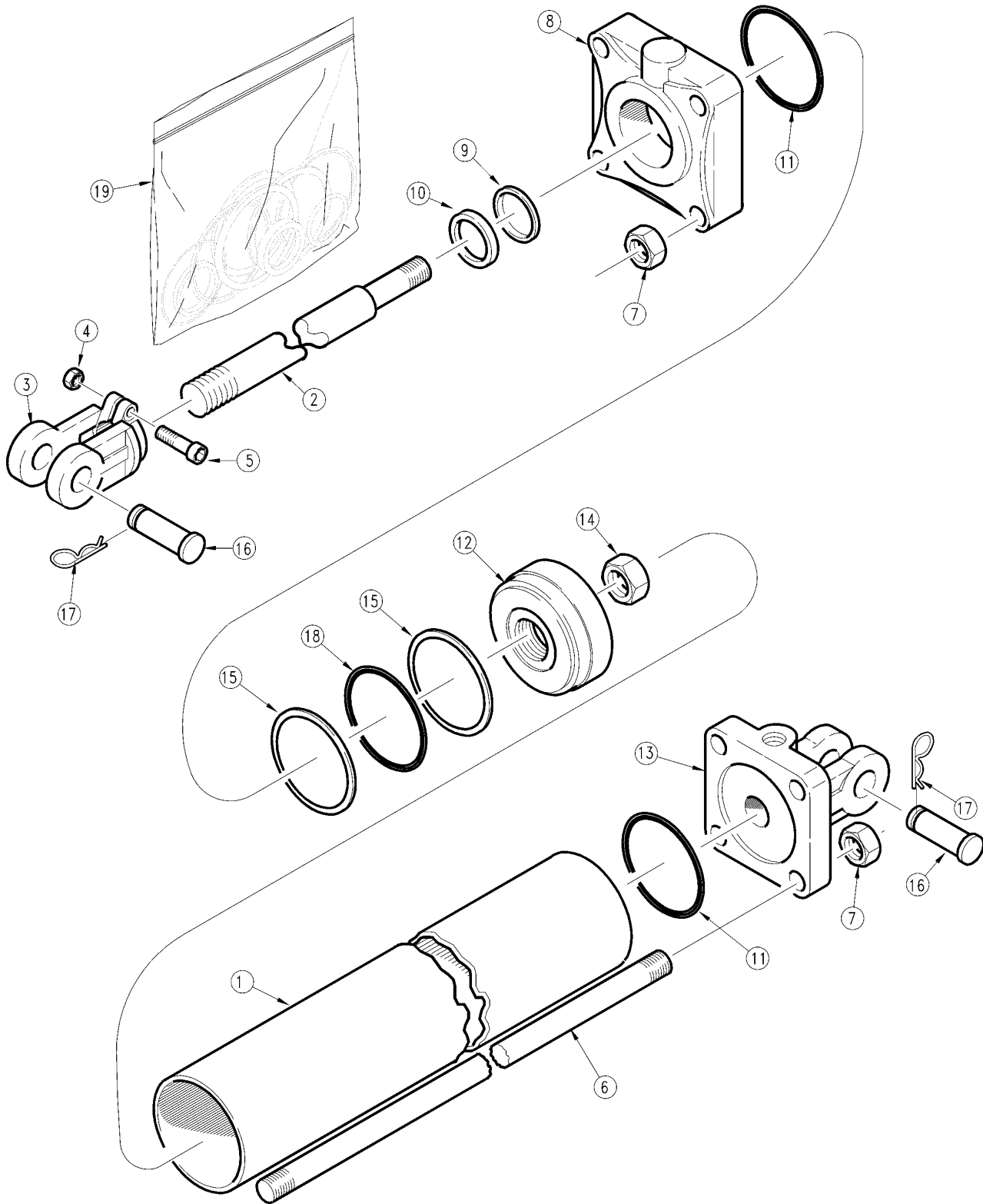
24811

Hydraulic Cylinder (810-558C) Cross**Applies to RBT3572, RBT3584, RBT3596**

Ref	Part No.	Part Description	Comments	Revision
	dwg24811	Drawing Image Number		
	810-558C	CYL 3.5X14X1.25 ROD (TIE ROD) *		
1.	4C2452	CROSS BASE CLEVIS		
2.	N/A	CROSS O-RING	Only In Seal Kit	
3.	4C4368	CROSS PISTON		
4.	N/A	CROSS CROWN SEAL	Only In Seal Kit	
5.	1D0009-1612	CROSS TUBE		
6.	4C5634	CROSS ROD		
7.	N/A	CROSS BACKUP	Only In Seal Kit	
8.	4C4367	CROSS HEAD		
9.	N/A	WIPER SEAL CROSS	Only In Seal Kit	
10.	2A0236-9	TIE ROD NUT CROSS		
11.	N/A	CROSS U-CUP	Only In Seal Kit	
12.	2A0581-1900	CROSS TIE ROD		
13.	2A0246-16	NUT CROSS		
14.	2A0079-616	CROSS SCREW, CAP		
15.	1D1013-5	ROD CLEVIS		
16.	2A0235-6	CROSS NUT, CLEVIS & TIE ROD		
17.	1D1582-16300	CROSS CLEVIS PIN		
18.	805-032C	PIN HAIR COTTER .148 WIRE		
19.	4C4369	CROSS SEAL KIT		

Hydraulic Cylinder (810-601C) Midway

Applies to RBT3572, RBT3584, RBT3596



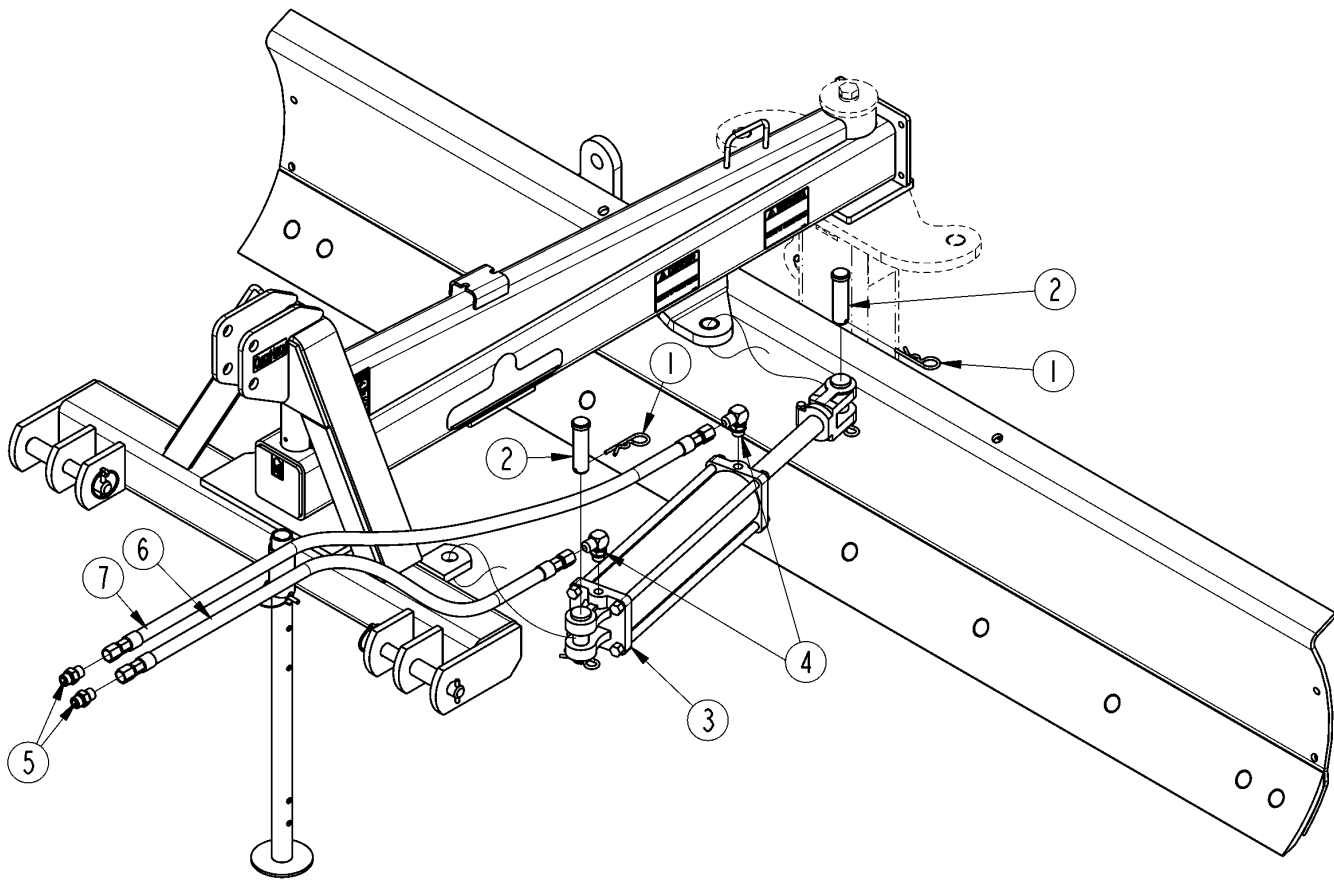
24812

Hydraulic Cylinder (810-601C) Midway**Applies to RBT3572, RBT3584, RBT3596**

Ref	Part No.	Part Description	Comments	Revision
	Dwg 24812 810-601C	Drawing Image Number CYL 2X6X1.125 ROD (TIE ROD) *		
1.	N/A			
2.	N/A			
3.	1M6006-ADI	MIDWAY HARDENED CLEVIS ADI		
4.	803-234C	NUT HEX 3/8-16 PLAIN		
5.	802-023C	HHCS 3/8-16X1 3/4 GR5		
6.	N/A			
7.	803-234C	NUT HEX 3/8-16 PLAIN		
8.	N/A			
9.		*	Only in seat kit #19	
10.		*	Only in seat kit #19	
11.		*	Only in seat kit #19	
12.	N/A			
13.	N/A			
14.	803-114C	NUT LOCK 3/4-16 NYLOC COLLAR		
15.		*	Only in seat kit #19	
16.	805-004C	PIN CLEVIS 1 X 2 3/4 USABLE LG		
17.	805-088C	PIN, HAIR COTTER 3/16 WIRE DIA		
18.		*	Only in seat kit #19	
19.	3A2104	MIDWAY SEAL KIT 810-601C		

Hydraulic Offset

Applies to RBT3572, RBT3584, RBT3596



24753

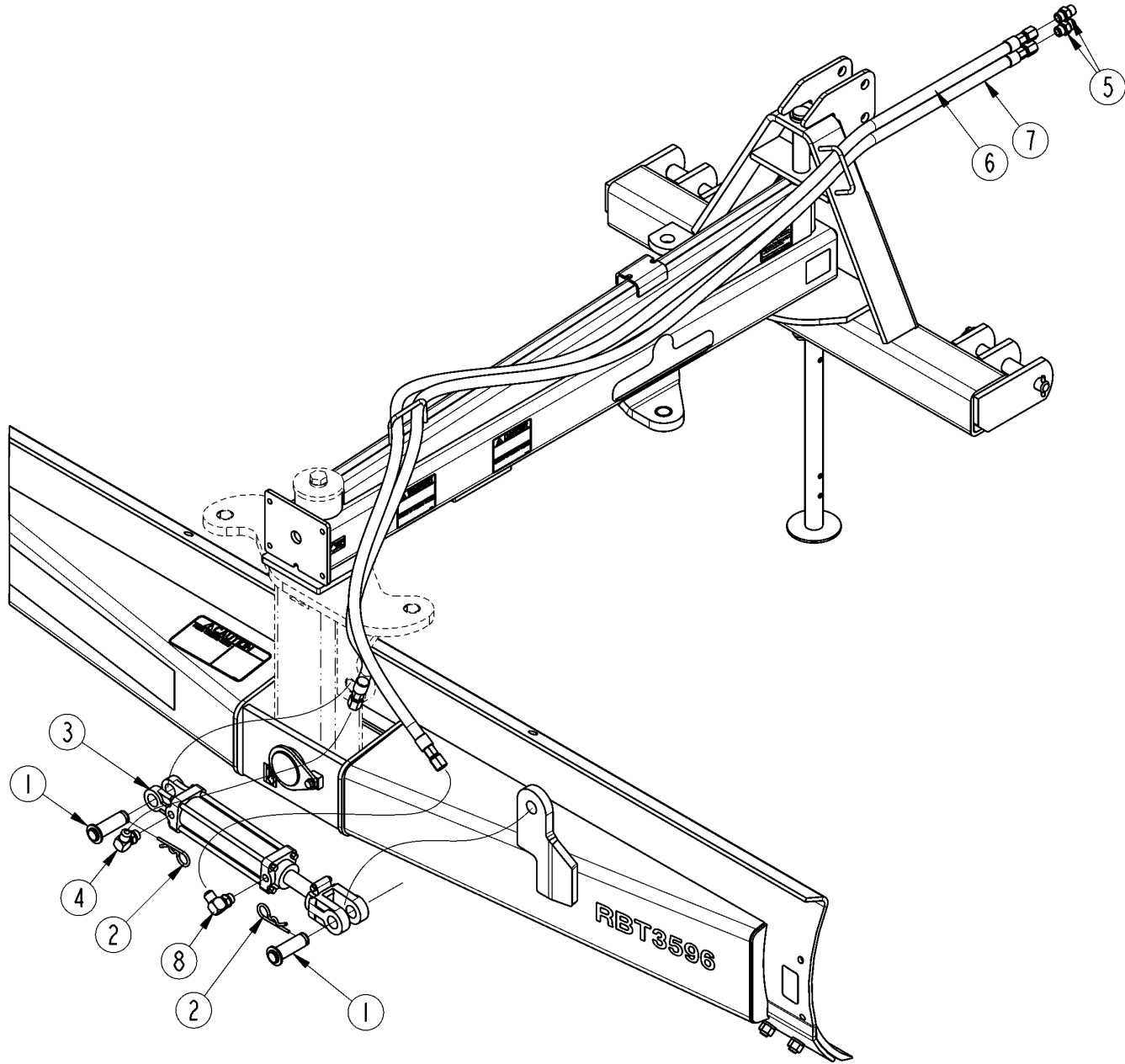
Hydraulic Offset

Applies to RBT3572, RBT3584, RBT3596

Ref	Part No.	Part Description	Comments	Revision
	dwg24753	Drawing Image Number		
	300-216A	T35 HYD OFFSET&ANGL CYL ASSY *		
1.	805-088C	PIN, HAIR COTTER 3/16 WIRE DIA		
2.	805-090C	PIN CLEVIS 1 X 3 3/16 LG		
3.	810-558C	CYL 3.5X14X1.25 ROD (TIE ROD)		
4.	811-063C	EL 3/4MJIC 3/4MORB		
5.	811-088C	AD 3/4MORB 3/4MJIC		
6.	811-985C	HH3/8R2 078 3/4FJIC		
7.	841-006C	HH3/8R2 087 3/4FJIC		

Hydraulic Tilting

Applies to RBT3572, RBT3584, RBT3596



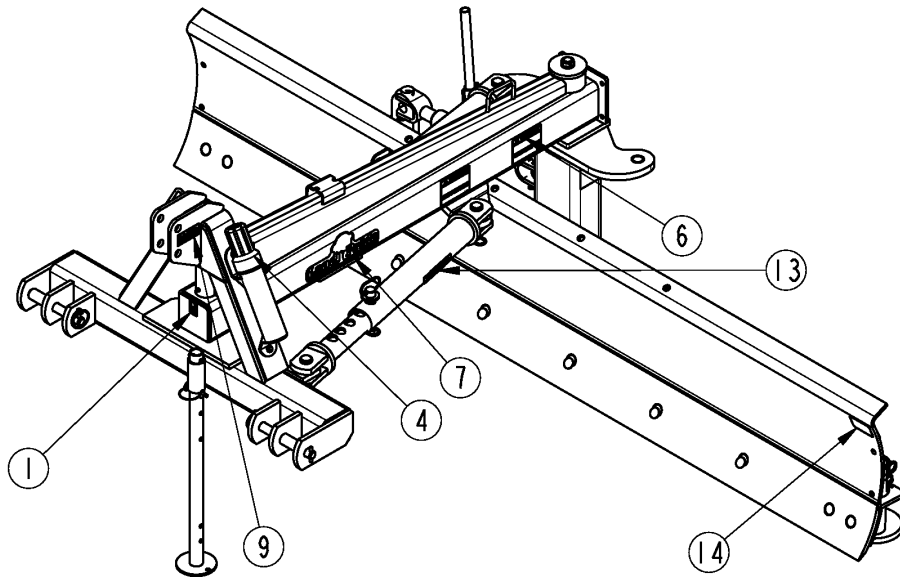
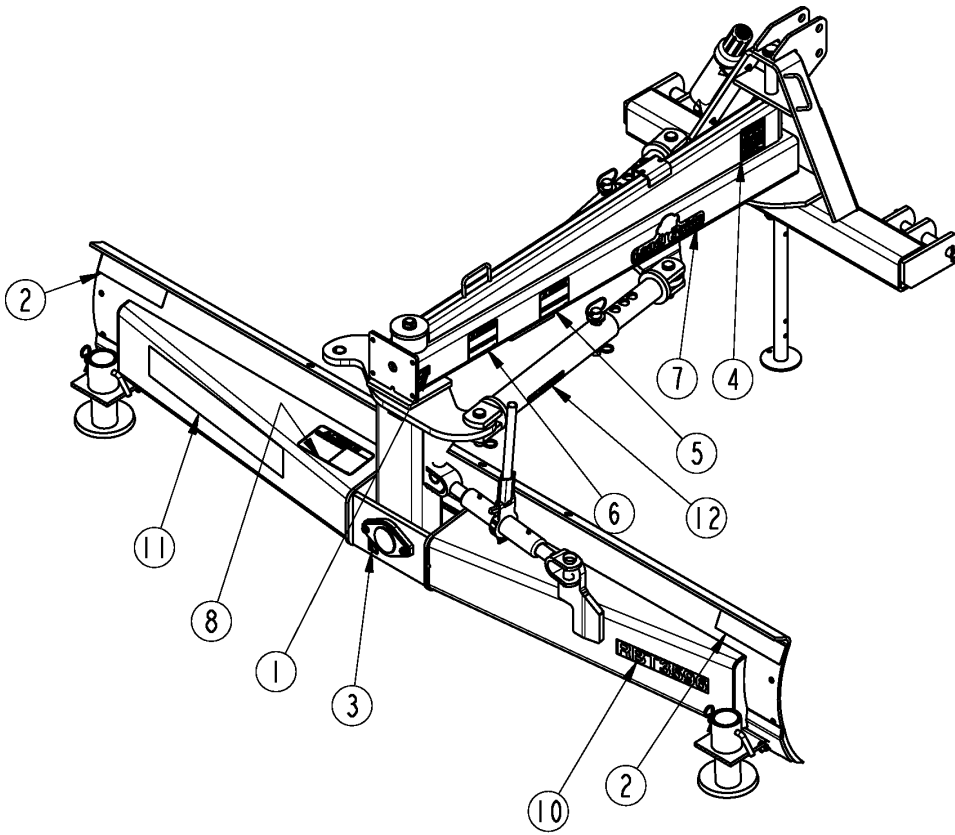
24909

Hydraulic Tilting**Applies to RBT3572, RBT3584, RBT3596**

Ref	Part No.	Part Description	Comments	Revision
	dwg24755 300-225A	Drawing Image Number T35 HYD TILT CYL ASSY *		
1.	805-004C	PIN CLEVIS 1 X 2 3/4 USABLE LG		
2.	805-088C	PIN, HAIR COTTER 3/16 WIRE DIA		
3.	810-601C	CYL 2X6X1.125 ROD (TIE ROD)		
4.	811-063C	EL 3/4MJIC 3/4MORB		
5.	811-088C	AD 3/4MORB 3/4MJIC		
6.	811-953C	HH3/8R2 129 3/4FJIC		
7.	811-953C	HH3/8R2 129 3/4FJIC		
8.	841-205C	OREL 1/32 3/4MJIC 3/4MORB		

Label Placement

Applies to RBT3572, RBT3584, RBT3596



24810

Label Placement**Applies to RBT3572, RBT3584, RBT3596**

Ref	Part No.	Part Description	Comments	Revision
	Dwg 24810	Drawing Image Number		
1.	818-298C	DECAL GREASE 25HRS BLACK/WHITE		
2.	838-614C	DECAL REFLECTOR RED 2X9	S/N 821694+	
2.	818-230C	DECAL RED REFLECTOR	S/N 821693-	
3.	818-298C	DECAL GREASE 25HRS BLACK/WHITE		
4.	818-339C	DECAL WARNING HIGH PRESSUR SML		
5.	818-487C	DECAL WARNING AVOID INJURY		
6.	818-491C	DECAL WARNING PINCH/SHEAR		
7.	818-890C	RPBY 838-963C	Beige Unit	
7.	838-963C	DECAL LP 10" W/TREE BROWN/GOLD	Green & Orange Unit	
8.	838-075C	DECAL CAUTION RBT MBOARD FALL		
9.	838-517C	DECAL QUICK HITCH SYSTEM		
10.	838-941C	DECAL RBT3596-BEIGE		
10.	838-942C	DECAL RBT3584-BEIGE		
10.	838-943C	DECAL RBT3572-BEIGE		
11.	838-966C	DECAL LANDPRIDE 22" BROWN/GOLD		
12.	848-084C	DECAL 300-224A, RBT35 ANGLING		
13.	848-085C	DECAL 300-217A, RBT35 OFFSET		
14.	818-229C	DECAL AMBER REFLECTOR	(S/N 710350 to 821693) RBT3596	

Land Pride Touch-up Paints

Applies to RBT3572, RBT3584, RBT3596

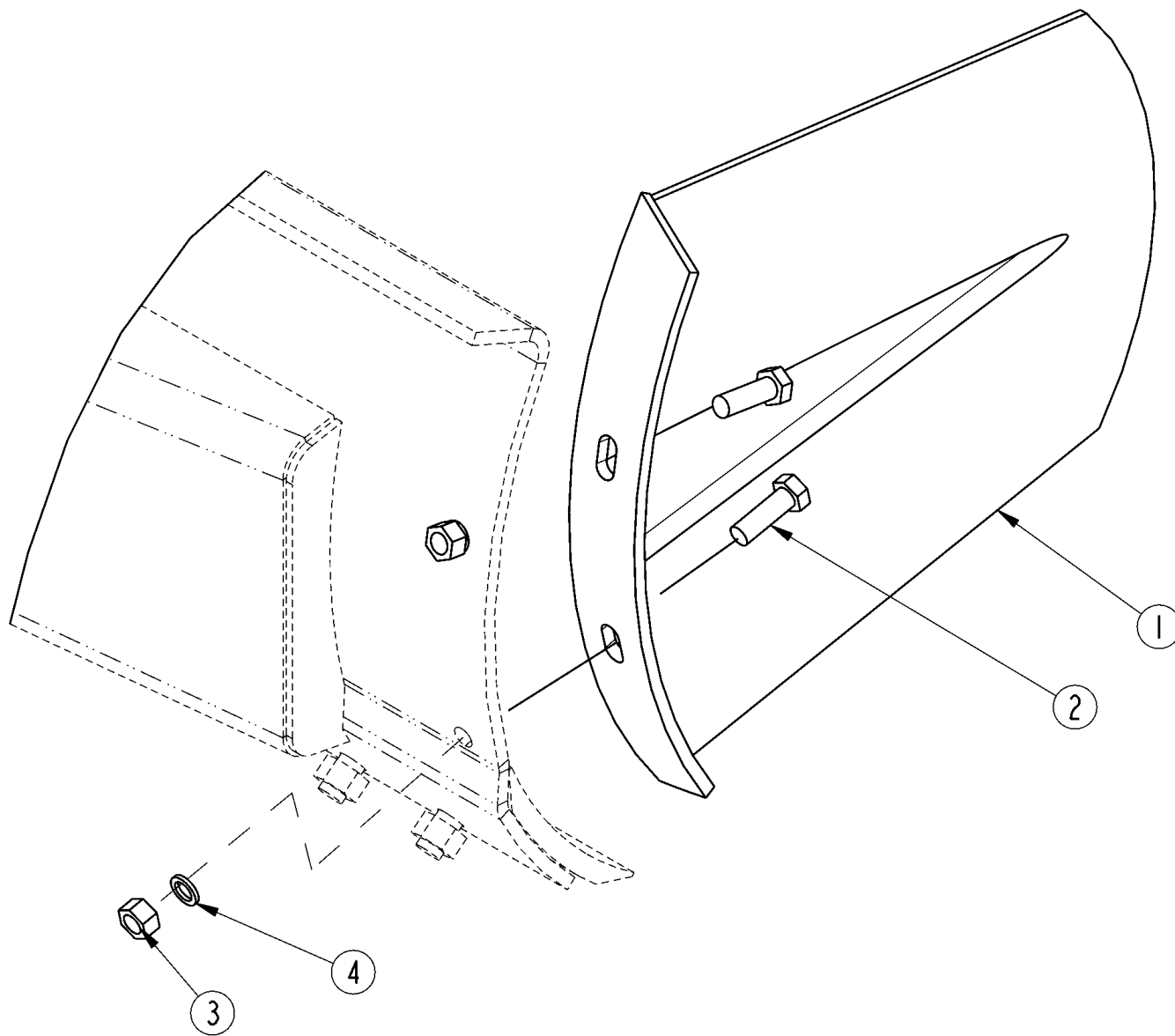
No diagram associated with this Parts List

Land Pride Touch-up Paints**Applies to RBT3572, RBT3584, RBT3596**

Ref	Part No.	Part Description	Comments	Revision
1.	821-011C	LP BEIGE SPRAY CAN	Spray can	
1.	821-070C	GLOSS BLACK SPRAY CAN	Spray can	
1.	821-054C	MED. RED SPRAY TRCK/CTR	Spray can	
1.	821-058C	GREEN SPRAY CUTTERS	Spray can	
1.	821-066C	ORANGE SPRAY CAN	Spray can	
1.	821-067C	BLUE SPRAY CAN	Spray can	
2.	821-011CTU	LP BEIGE TOUCH-UP 5OZ	Touch-up bottle with brush	
2.	821-070CTU	GLOSS BLACK TOUCH-UP 5OZ	Touch-up bottle with brush	
2.	821-054CTU	MED RED TOUCH-UP 5OZ	Touch-up bottle with brush	
2.	821-058CTU	GREEN TOUCH-UP 5OZ	Touch-up bottle with brush	
2.	821-066CTU	ORANGE TOUCH-UP 5OZ	Touch-up bottle with brush	
2.	821-067CTU	BLUE TOUCH-UP 5OZ	Touch-up bottle with brush	
3.	821-011CQT	LP BEIGE QUART	Quart can	
3.	821-070CQT	GLOSS BLACK QUART	Quart can	
3.	821-054CQT	MED RED QUART	Quart can	
3.	821-058CQT	GREEN QUART	Quart can	
3.	821-066CQT	ORANGE QUART	Quart can	
3.	821-067CQT	BLUE QUART	Quart can	
4.	821-011CGL	LP BEIGE GALLON	Gallon can	
4.	821-070CGL	GLOSS BLACK GALLON	Gallon can	
4.	821-054CGL	MED RED GALLON	Gallon can	
4.	821-058CGL	GREEN GALLON	Gallon can	
4.	821-066CGL	ORANGE GALLON	Gallon can	
4.	821-067CGL	BLUE GALLON	Gallon can	

End Plates

Applies to RBT3572, RBT3584, RBT3596



24809

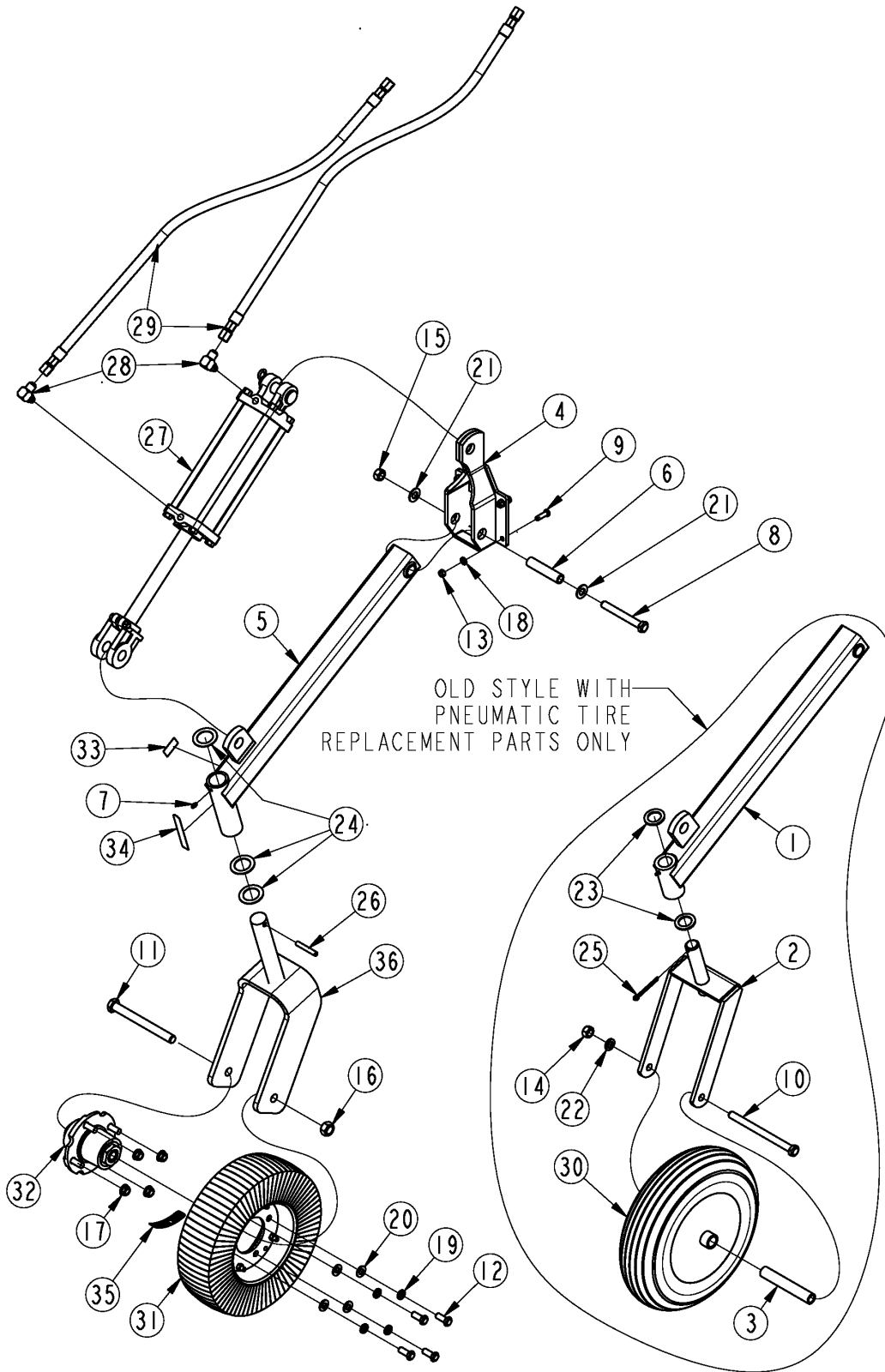
End Plates

Applies to RBT3572, RBT3584, RBT3596

Ref	Part No.	Part Description	Comments	Revision
	dwg24809	Drawing Image Number		
	301-010A	SIDE PLATE - PAIR		
		*		
1.	301-011H	SIDE PLATE WELDMENT		
2.	802-091C	HHCS 1/2-13X1 1/2 GR5		
3.	803-020C	NUT HEX 1/2-13 PLT		
4.	804-065C	WASHER INT-EXT 1/2 PLT		

Gauge Wheel Hydraulic

Applies to RBT3572, RBT3584, RBT3596



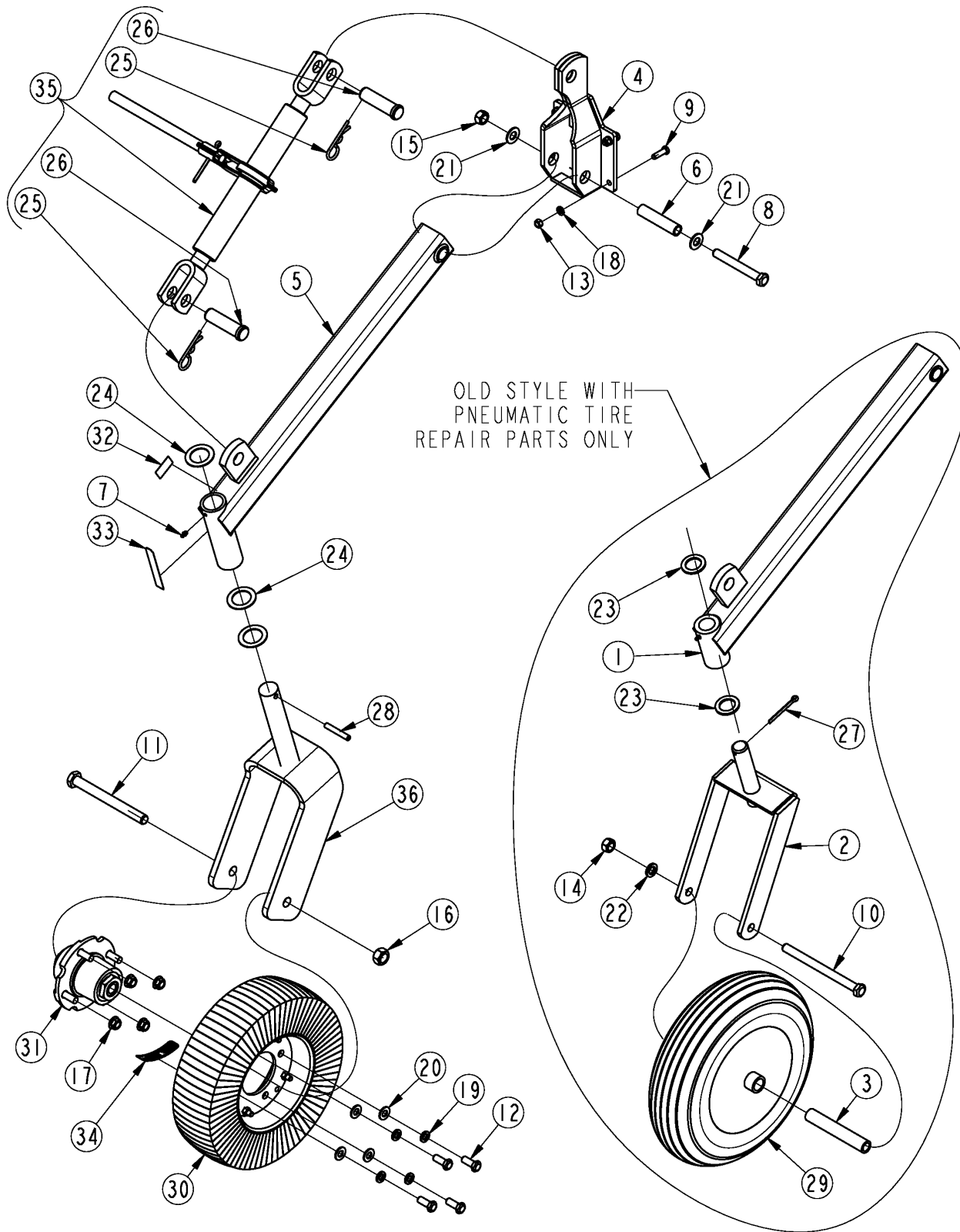
24813

Gauge Wheel Hydraulic**Applies to RBT3572, RBT3584, RBT3596**

Ref	Part No.	Part Description	Comments	Revision
	dwg24813	Drawing Image Number		
	300-219A	RBT35 BLADE SINGLE GW *		
1.	300-016H	ARM WELDMENT	OLD STYLE	
2.	300-017H	YOKE WELDMENT	OLD STYLE	
3.	300-050D	SINGLE GAUGE WHEEL SLEEVE	OLD STYLE	
4.	300-218H	TAIL WHEEL MOUNT WLDMT RBT35		
5.	300-277H	GW ARM WELDMENT - RBT35		
6.	300-375D	TB RD DOM. 7/8ODX11GWLX3 15/16		
7.	800-080C	GREASE ZERK 1/4-28 THD FORMING		
8.	802-062C	HHCS 5/8-11X5 GR5		
9.	802-079C	HHCS 3/8-16X1 1/4 GR5		
10.	802-208C	HHCS 5/8-11X8 GR5	OLD STYLE	
11.	802-280C	HHCS 3/4-10X7 1/2 GR5		
12.	802-326C	HHCS 1/2-20X1 1/4 GR5		
13.	803-014C	NUT HEX 3/8-16 PLT		
14.	803-021C	NUT HEX 5/8-11 PLT		
15.	803-024C	NUT LOCK 5/8-11 PLT		
16.	803-026C	NUT LOCK 3/4-10 PLT		
17.	803-308C	NUT HEX FLG/LK 1/2-20 PLT GR G		
18.	804-013C	WASHER LOCK SPRING 3/8 PLT		
19.	804-015C	WASHER LOCK SPRING 1/2 PLT		
20.	804-016C	WASHER FLAT 1/2 SAE PLT		
21.	804-021C	WASHER FLAT 5/8 SAE PLT		
22.	804-022C	WASHER LOCK SPRING 5/8 PLT	OLD STYLE	
23.	804-062C	WASHER MACH 1.88 X 1.25 X 10GA	OLD STYLE	
24.	804-066C	WASHER MACH 2.25 X 1.50 X 14GA		
25.	805-105C	PIN COTTER 1/4 X 2 1/2 PLT	OLD STYLE	
26.	805-255C	PIN ROLL 3/8 X 2 1/2 PLT		
27.	810-162C	CYL 3.5X8X1.25 ROD (TIE ROD)		
28.	811-063C	EL 3/4MJIC 3/4MORB		
29.	811-247C	HH3/8R2 116 3/4FJIC		
30.	814-039C	WHEEL & TIRE PNEU 4.8/4.00 X 8	OLD STYLE	
31.	814-058C	TIRE & WHEEL LAMINATED 4.0 X 8		
32.	815-092C	HUB & SPINDLE ASSY 4 BOLT		
33.	818-298C	DECAL GREASE 25HRS BLACK/WHITE		
34.	818-335C	DECAL RED NARROW REFLECTOR		
35.	818-681C	DECAL NOTICE - 20 MPH MAX		
36.	890-961C	RC25 TAILWHEEL YOKE, 1.5 SHAFT		

Gauge Wheel Manual

Applies to RBT3572, RBT3584, RBT3596



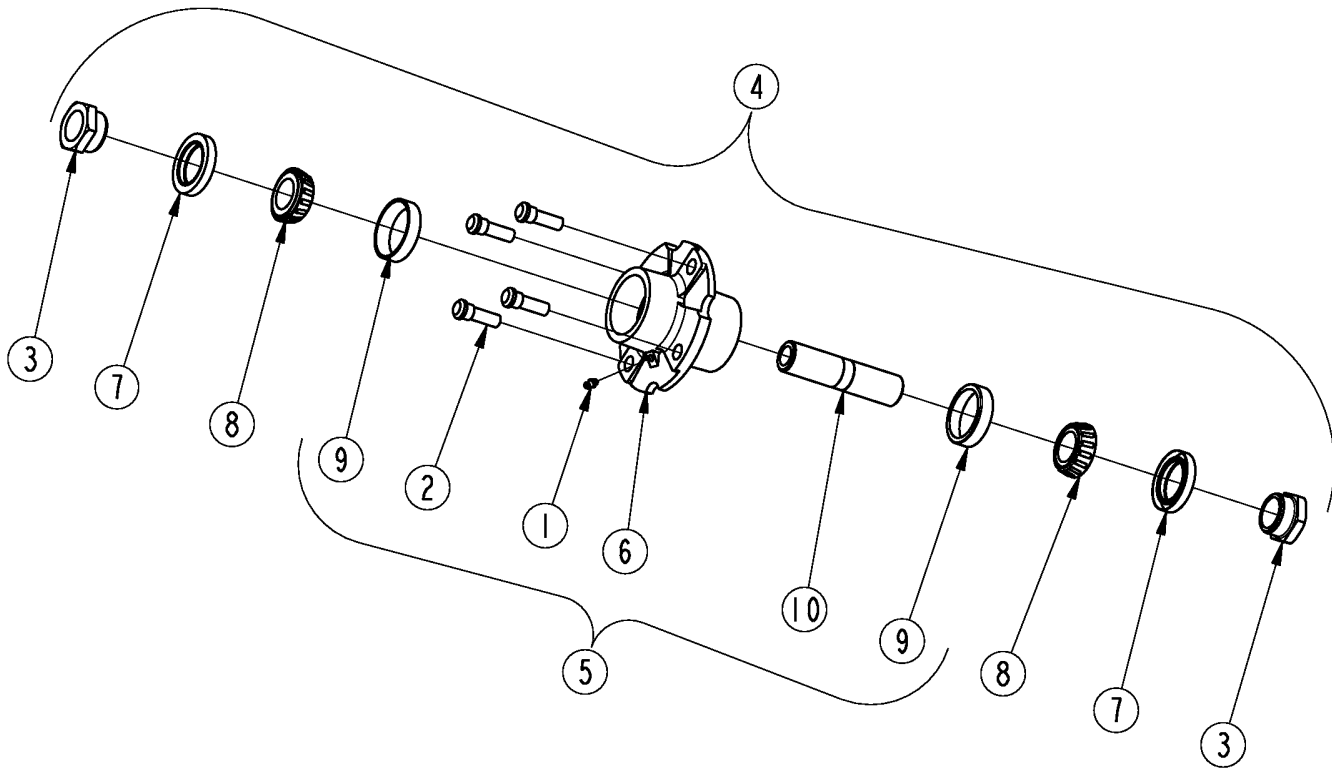
24906

Gauge Wheel Manual**Applies to RBT3572, RBT3584, RBT3596**

Ref	Part No.	Part Description	Comments	Revision
	dwg24906	Drawing Image Number		
	300-227A	MANUAL GAGE WHEEL ASSY *		
1.	300-016H	ARM WELDMENT	OLD STYLE	
2.	300-017H	YOKE WELDMENT	OLD STYLE	
3.	300-050D	SINGLE GAUGE WHEEL SLEEVE	OLD STYLE	
4.	300-218H	TAIL WHEEL MOUNT WLDMT RBT35		
5.	300-277H	GW ARM WELDMENT - RBT35		
6.	300-375D	TB RD DOM. 7/8ODX11GWLX3 15/16		
7.	800-080C	GREASE ZERK 1/4-28 THD FORMING		
8.	802-062C	HHCS 5/8-11X5 GR5		
9.	802-079C	HHCS 3/8-16X1 1/4 GR5		
10.	802-208C	HHCS 5/8-11X8 GR5	OLD STYLE	
11.	802-280C	HHCS 3/4-10X7 1/2 GR5		
12.	802-326C	HHCS 1/2-20X1 1/4 GR5		
13.	803-014C	NUT HEX 3/8-16 PLT		
14.	803-021C	NUT HEX 5/8-11 PLT	OLD STYLE	
15.	803-024C	NUT LOCK 5/8-11 PLT		
16.	803-026C	NUT LOCK 3/4-10 PLT		
17.	803-308C	NUT HEX FLG/LK 1/2-20 PLT GR		
18.	804-013C	WASHER LOCK SPRING 3/8 PLT		
19.	804-015C	WASHER LOCK SPRING 1/2 PLT		
20.	804-016C	WASHER FLAT 1/2 SAE PLT		
21.	804-021C	WASHER FLAT 5/8 SAE PLT		
22.	804-022C	WASHER LOCK SPRING 5/8 PLT		
23.	804-062C	WASHER MACH 1.88 X 1.25 X 10GA	OLD STYLE	
24.	804-066C	WASHER MACH 2.25 X 1.50 X 14GA		
25.	805-088C	PIN, HAIR COTTER 3/16 WIRE DIA		
26.	805-090C	PIN CLEVIS 1 X 3 3/16 LG		
27.	805-105C	PIN COTTER 1/4 X 2 1/2 PLT		
28.	805-255C	PIN ROLL 3/8 X 2 1/2 PLT		
29.	814-039C	WHEEL & TIRE PNEU 4.8/4.00 X 8	OLD STYLE	
30.	814-058C	TIRE & WHEEL LAMINATED 4.0 X 8		
31.	815-092C	HUB & SPINDLE ASSY 4 BOLT		
32.	818-298C	DECAL GREASE 25HRS BLACK/WHITE		
33.	818-335C	DECAL RED NARROW REFLECTOR		
34.	818-681C	DECAL NOTICE - 20 MPH MAX		
35.	890-177C	RATCHET JACK - HEAVY DUT		
36.	890-961C	RC25 TAILWHEEL YOKE, 1.5 SHAFT		

Hub Assembly 4-Bolt W/ Zerk & Studs (815-092C)

Applies to RBT3572, RBT3584, RBT3596



37435

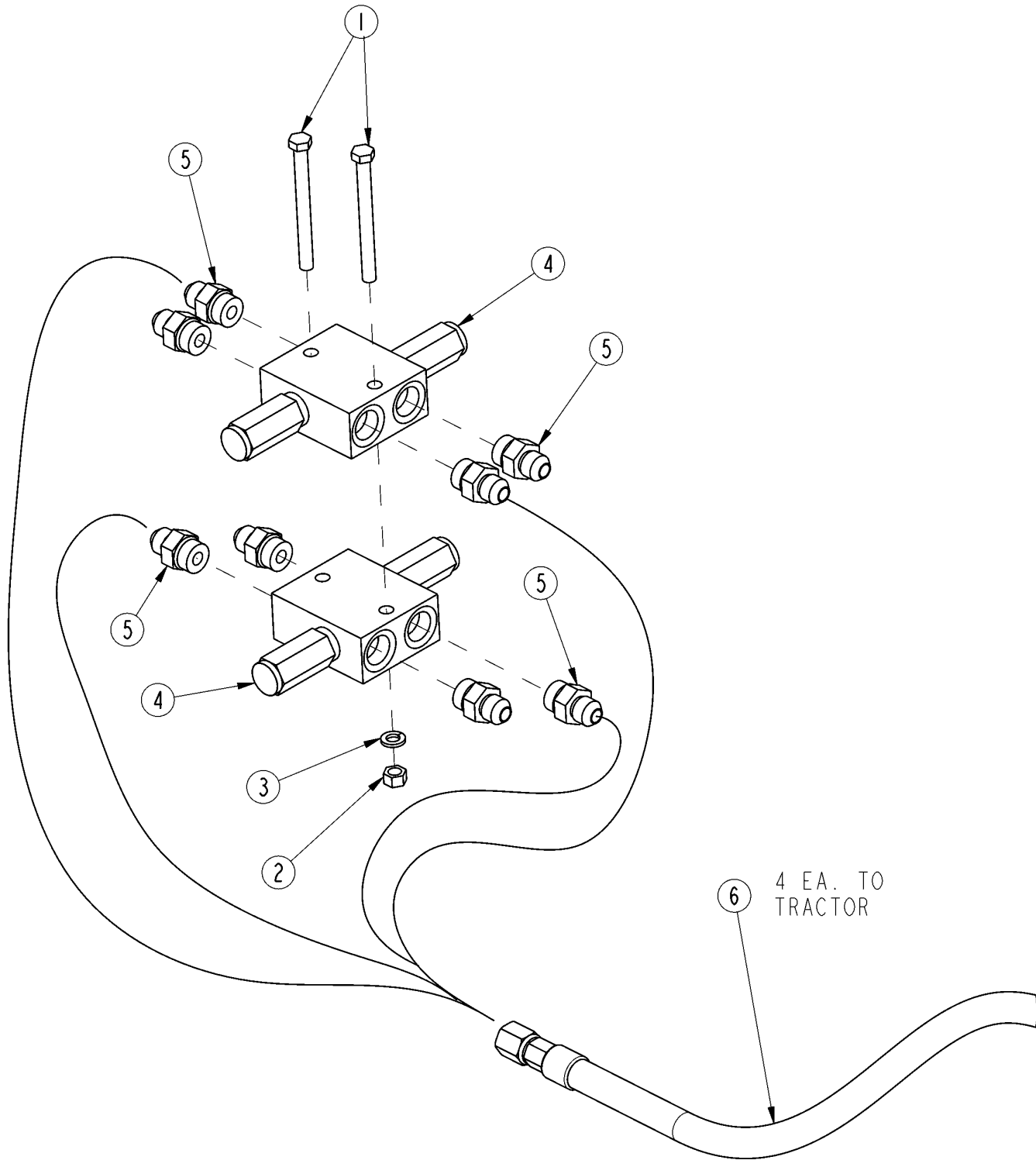
Hub Assembly 4-Bolt W/ Zerk & Studs (815-092C)

Applies to RBT3572, RBT3584, RBT3596

Ref	Part No.	Part Description	Comments	Revision
	Dwg 37435	Image No.		
1.	800-001C	GREASE ZERK STRAIGHT 1/4-28		
2.	802-135C	HUB STUD 1/2-20X1 5/8 GR5		
3.	803-289C	NUT HEX 1 1/4-7(MACHINED)PLAIN		
4.	815-092C	HUB & SPINDLE ASSY 4 BOLT		
5.	815-230C	HUB 4 BLT W/CUPS, ZERK & STUDS		
6.	815-231C	HUB 4BLT DUCTILE(USE 815-230C)		
7.	816-286C	OIL SEAL DBL LIP 2.441 BORE		
8.	822-091C	BRG 1.25ID CONE 15123		
9.	822-092C	BRG CUP 2.44OD 15245		
10.	827-036C	BUSHING TW 1.25ODX.78IDX5 1/4		

Hydraulic Cushion Valve

Applies to RBT3572, RBT3584, RBT3596



24842

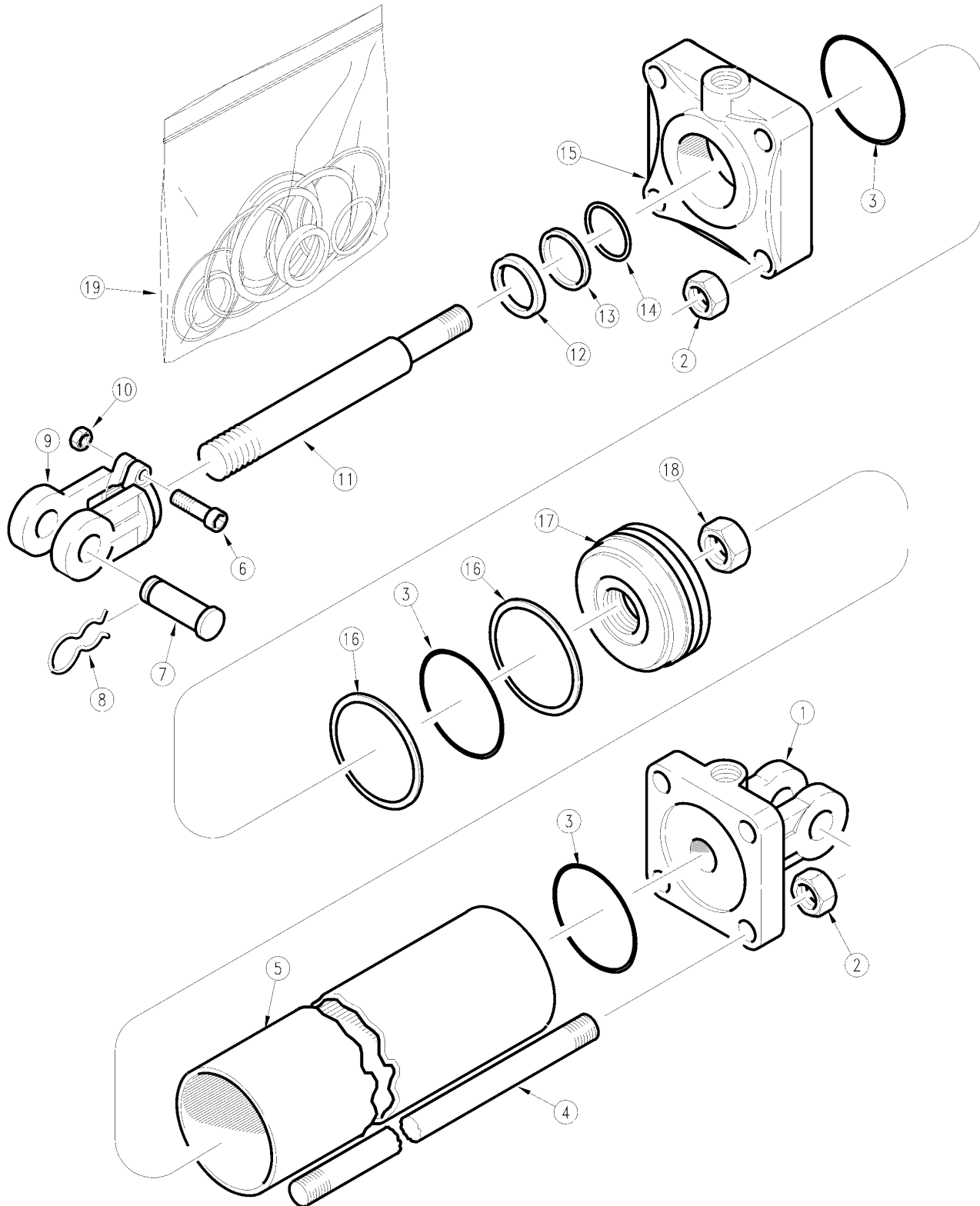
Hydraulic Cushion Valve

Applies to RBT3572, RBT3584, RBT3596

Ref	Part No.	Part Description	Comments	Revision
	dwg24842	Drawing Image Number		
	301-208A	RBT35/40 CYL. CUSH. VALVE *		
1.	802-223C	HHCS 3/8-16X4 GR5		
2.	803-014C	NUT HEX 3/8-16 PLT		
3.	804-013C	WASHER LOCK SPRING 3/8 PLT		
4.	810-385C	VALVE CYLINDER CUSHION 1600PSI		
5.	811-192C	AD 3/4MJIC 7/8MORB		
6.	811-685C	HH3/8R2 048 3/4FJIC 3/4FJIC		

Hydraulic Cylinder (810-162C) Cross

Applies to RBT3572, RBT3584, RBT3596



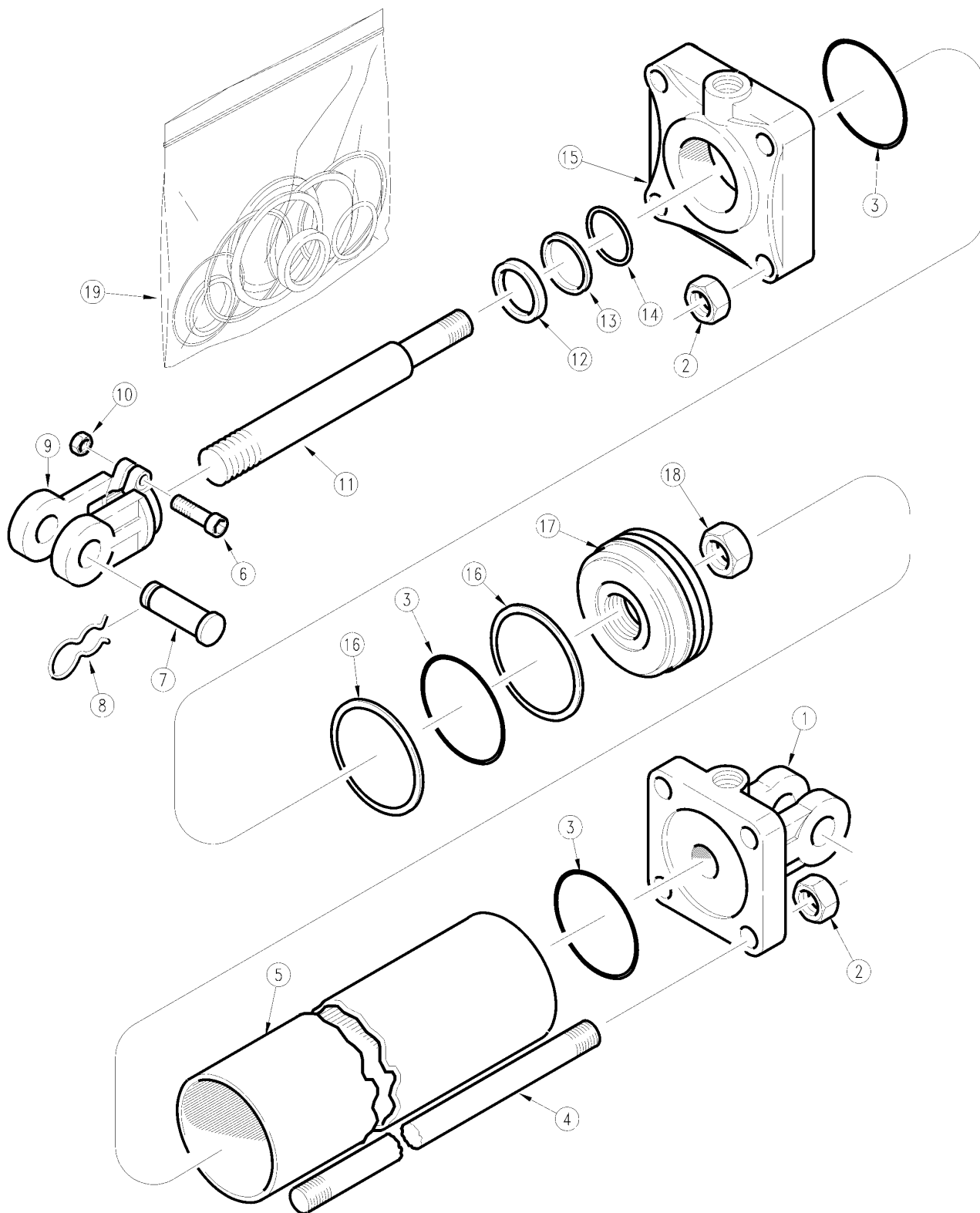
11421

Hydraulic Cylinder (810-162C) Cross**Applies to RBT3572, RBT3584, RBT3596**

Ref	Part No.	Part Description	Comments	Revision
	dwg11421	Drawing Image Number		
	810-162C	CYL 3.5X8X1.25 ROD (TIE ROD)		
1.	1D1509-4	BASE CROSS		
2.	2A0236-9	TIE ROD NUT CROSS		
3.		O-RING	Only found in seal kit 19.	
4.	2A0581-1325	TIE ROD CROSS		
5.	1D0009-1050	TUBE CROSS		
6.	2A0079-616	CROSS SCREW, CAP		
7.	1D1551-16275	CROSS CLEVIS PIN		
8.	2A0308-1	CROSS PIN, CLIP		
9.	1D1003-5	CROSS ROD CLEVIS		
10.	2A0235-6	CROSS NUT, CLEVIS & TIE ROD		
11.	1D0205-1262	ROD CROSS		
12.		WIPER	Only found in seal kit 19.	
13.		BACKUP ROD	Only found in seal kit 19.	
14.		O-RING	Only found in seal kit 19.	
15.	1D1159-4	HEAD CROSS		
16.		BACKUP PISTON	Only found in seal kit 19.	
17.	1D1401-350	PISTON CROSS		
18.	1A1141	PISTON NUT CROSS		
19.	810-146C	SEAL KIT CROSS 3.5 CYL 1C4429		

Hydraulic Cylinder (810-162C) Midway

Applies to RBT3572, RBT3584, RBT3596



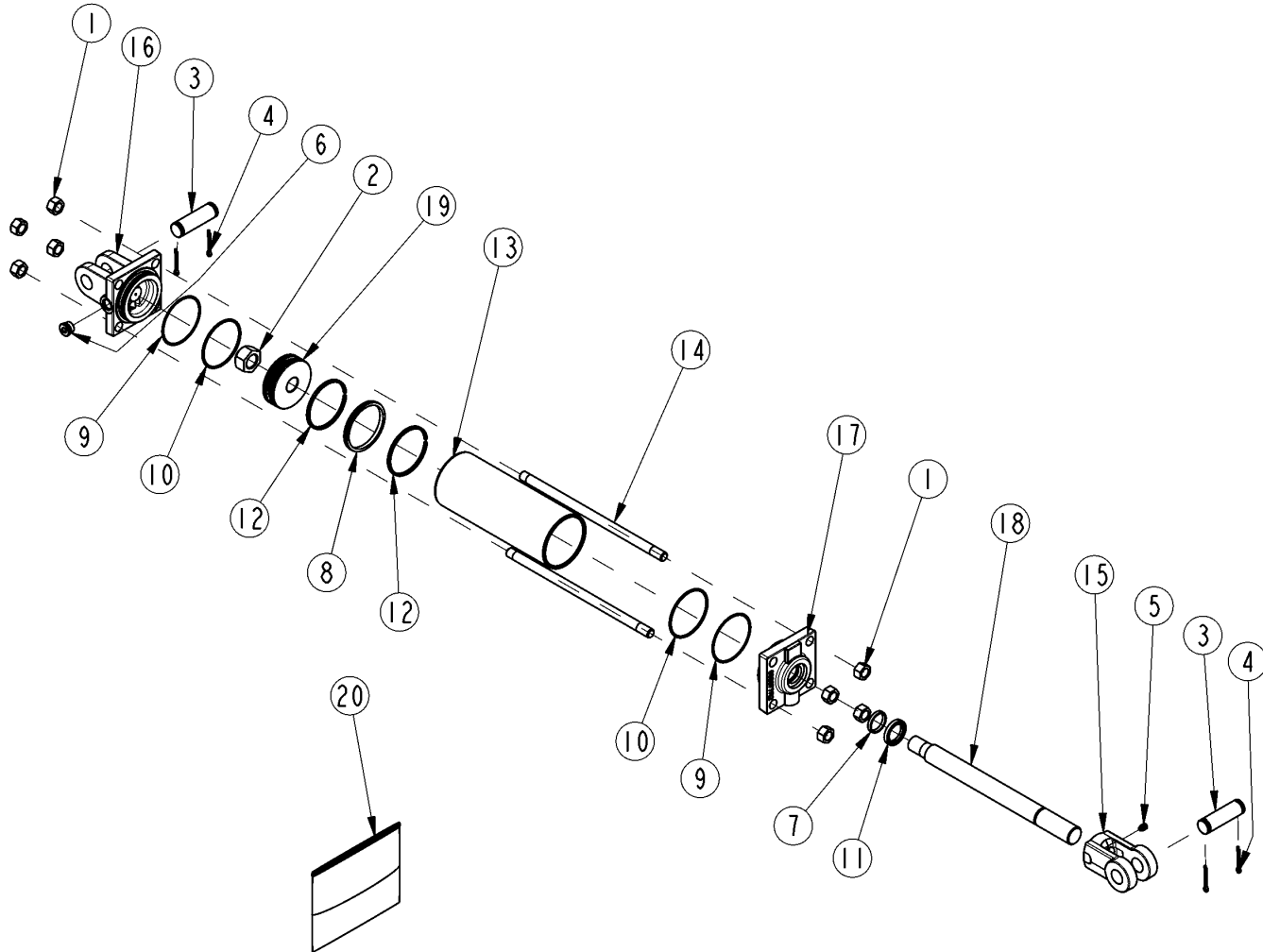
11421

Hydraulic Cylinder (810-162C) Midway**Applies to RBT3572, RBT3584, RBT3596**

Ref	Part No.	Part Description	Comments	Revision
	dwg11421	Drawing Image Number		
	810-162C	CYL 3.5X8X1.25 ROD (TIE ROD)		
1.	6M5142	MW BASE (STD. 1" PIN)		
2.	2A0016	MW TIE ROD NUT		
3.		O-RING	Only found in seal kit 19.	
4.	7M5316	MW ROD		
5.	5M5116	MW TUBE 3 1/2 X 8 CYLINDER		
6.	2A0006	MW CAPSCREW		
7.	2A0208	MW CLEVIS PIN		
8.	2A0132	MW PIN CLIP		
9.	1M6010	MW CLEVIS STD. DUTY		
10.	2A0012	MW NUT CLEVIS & TIE ROD		
11.	2M5416	MW ROD		
12.		WIPER	Only found in seal kit 19.	
13.		BACKUP ROD	Only found in seal kit 19.	
14.		O-RING	Only found in seal kit 19.	
15.	3M5408	MW HEAD		
16.		BACKUP PISTON	Only found in seal kit 19.	
17.	4M5108	MW PISTON		
17.	4M5102	RPBY 4M5108		
18.	2A0024	MW PISTON NUT 1"-14		
19.	810-149C	SEAL KIT 810-104C MW 3A5102		

Hydraulic Cylinder (810-162C) Red Lion

Applies to RBT3572, RBT3584, RBT3596



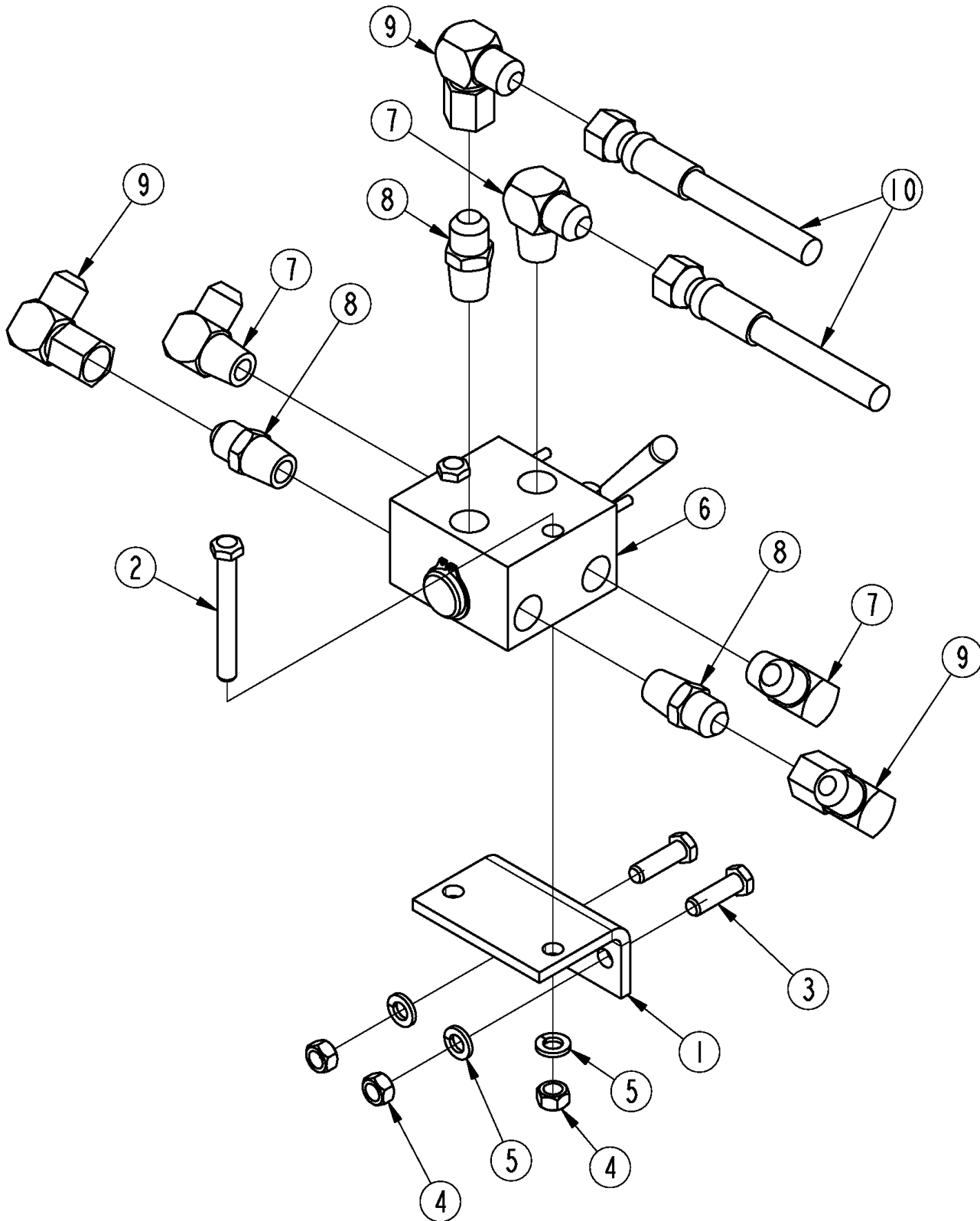
25900

Hydraulic Cylinder (810-162C) Red Lion**Applies to RBT3572, RBT3584, RBT3596**

Ref	Part No.	Part Description	Comments	Revision
	dwg25900	Drawing Image Number		
	810-162C	CYL 3.5X8X1.25 ROD (TIE ROD) *		
1.	803-022C	NUT HEX 5/8-18 PLT		
2.	130560	MON PISTON NUT		
3.	134953	LION PIN		
4.	135995	MON CLEVIS PIN COTTER		
5.	801-023C	SCREW SET SH 3/8-16X3/8 TYPE C		
6.	186562	LION PLUG 3/4-16UNF SOCKET HD		
7.	N/A	MON ROD SEAL	Only Found in Kit #20	
8.	N/A	MON PISTON SEAL (PSP)	Only Found in Kit #20	
9.	N/A	LION B.U. WASHER 073-236	Only Found in Kit #20	
10.	N/A	MON END CAP O-RING	Only Found in Kit #20	
11.	N/A	SEAL WIPER ROD	Only Found in Kit #20	
12.	N/A	MON PISTON WEAR RING	Only Found in Kit #20	
13.	491798	LION CYL. TUBE 3.5 X 8		
14.	492338	LION TIE ROD 5/8 X 8		
15.	492652	LION ROD CLEVIS 1 1/4 (1PIN)		
16.	492676	LION CLEVIS CAP 3.5 ORB		
17.	494286	MON ROD CAP3.5-1.25-3/4ORB-TSS		
18.	492700	LION ROD 1.25 DIA. ASAE 8		
19.	258827	MON PISTN 3.50-1.00-TSS-ISO-WR		
20.	810-888C	MON SEAL KIT 661703		

Hydraulic Selector Valve

Applies to RBT3572, RBT3584, RBT3596



39392

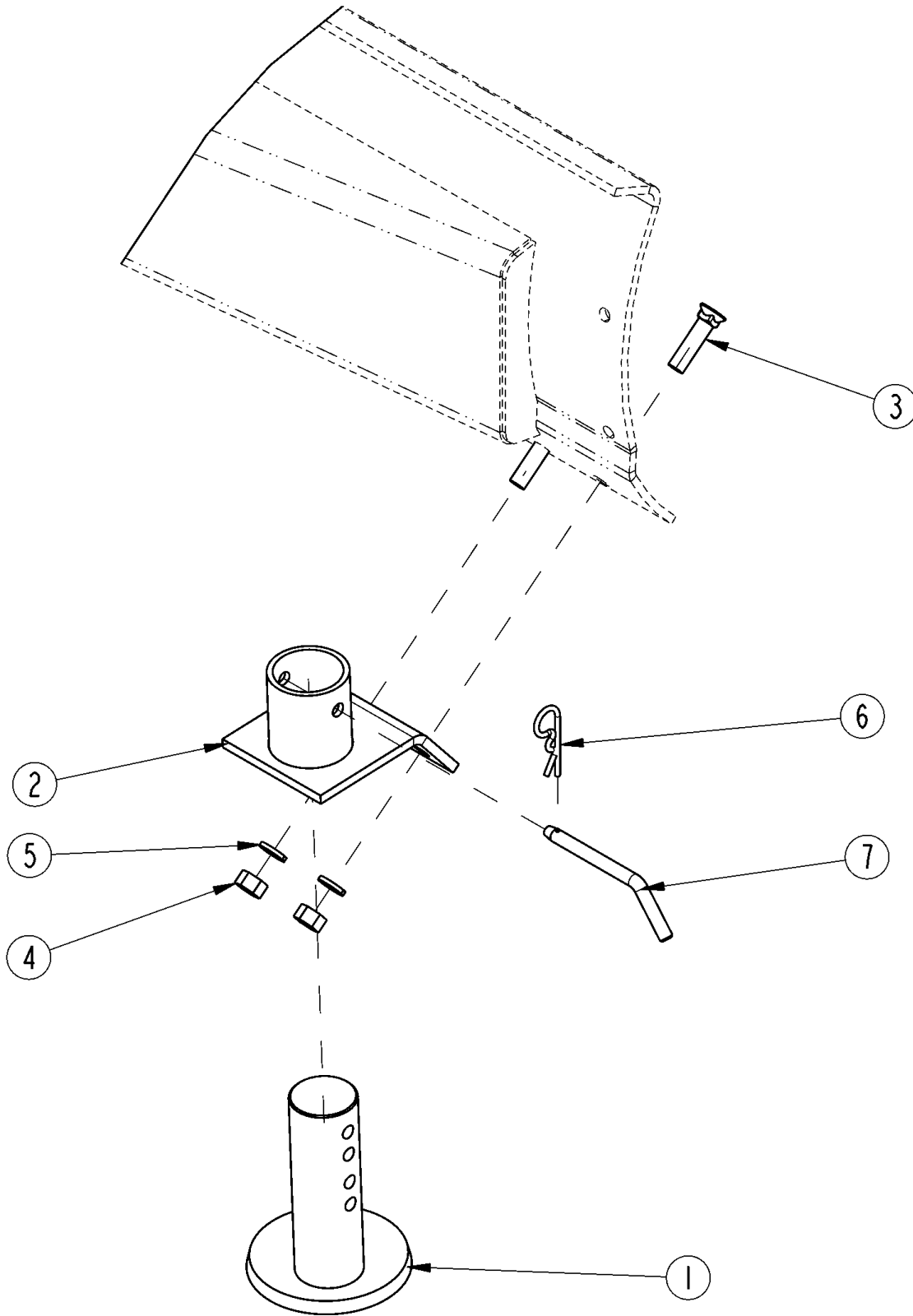
Hydraulic Selector Valve

Applies to RBT3572, RBT3584, RBT3596

Ref	Part No.	Part Description	Comments	Revision
	dwg39392	Drawing Image Number		
	301-258A	RBT35 CONTROL VALVE		
		*		
1.	300-457D	DOUBLE SELECTOR MOUNT		
2.	802-024C	HHCS 3/8-16X3 GR5		
3.	802-079C	HHCS 3/8-16X1 1/4 GR 5		
4.	803-014C	NUT HEX 3/8-16 PLT		
5.	804-013C	WASHER LOCK SPRING 3/8 PLT		
6.	810-023C	DOUBLE SELECTOR VALVE		
7.	811-038C	EL 3/4MJIC 1/2MNPT		
8.	811-041C	AD 3/4MJIC 1/2MNPT		
9.	811-150C	EL 3/4FJIC 3/4MJIC		
10.	811-386C	HH3/8R2 036 3/4FJIC		

Skid Shoe

Applies to RBT3572, RBT3584, RBT3596



24821

Skid Shoe**Applies to RBT3572, RBT3584, RBT3596**

Ref	Part No.	Part Description	Comments	Revision
	dwg24821	Drawing Image Number		
	301-333A	T35/40 SKID SHOES	S/N 633630+ (Includes 2 of items 1-7)	
	301-186A	RBT40/45 SKID SHOES	S/N 633629- (Includes 2 of items 1-7)	
1.	301-203H	40 SKID SHOE WELDMENT		
2.	301-334H	T35/40 SKID SHOE MNT WELDMENT	S/N 633630+	
2.	301-204H	40 SKID SHOE BRACKET WELDMENT	S/N 633629-	
3.	802-211C	PLOW 5/8-11X2 1/2 GR5		
4.	803-021C	NUT HEX 5/8-11 PLT		
5.	804-022C	WASHER LOCK SPRING 5/8 PLT		
6.	805-088C	PIN, HAIR COTTER 3/16 WIRE DIA		
7.	805-293C	PIN BENT 1/2 X 3 1/2 W/HAIRPIN		



Part Number Index

The Part Number Index is a numeric index of all part numbers included in this manual. The index shows what page(s) the part is used on.

Part Number	Page	Part Number	Page	Part Number	Page	Part Number	Page
130560	41	301-303D	11	805-041C	7	821-070CQT	25
134953	41	301-322H	11	805-065C	7	821-070CTU	25
135995	41	301-323H	11	805-088C	9, 13, 17, 19, 21, 31, 45	822-091C	33
186562	41	301-333A	45	805-090C	9, 13, 19, 31	822-092C	33
1A1141	37	301-334H	45	805-105C	29, 31	827-036C	33
1D0009-1050	37	305-067S	7	805-161C	7	838-075C	23
1D0009-1612	15	3A2104	17	805-255C	29, 31	838-517C	23
1D0205-1262	37	3M5408	39	805-272C	7	838-614C	23
1D1003-5	37	491798	41	805-293C	45	838-941C	23
1D1013-5	15	492338	41	810-023C	43	838-942C	23
1D1159-4	37	492652	41	810-146C	37	838-943C	23
1D1401-350	37	492676	41	810-149C	39	838-963C	23
1D1509-4	37	492700	41	810-162C	29, 37, 39, 41	838-966C	23
1D1551-16275	37	494286	41	810-385C	35	841-006C	13, 19
1D1582-16300	15	4C2452	15	810-385C	35	841-205C	21
1M6006-ADI	17	4C4367	15	810-558C	13, 15, 19	848-084C	9, 23
1M6010	39	4C4368	15	810-601C	17, 21	848-085C	9, 23
258827	41	4C4369	15	810-888C	41	890-005C	11
2A0006	39	4C5634	15	811-038C	43	890-143C	7, 11
2A0012	39	4M5102	39	811-041C	43	890-177C	31
2A0016	39	4M5108	39	811-063C	13, 19, 21, 29	890-389C	7
2A0024	39	5M5116	39	811-088C	13, 19, 21	890-637C	9
2A0079-616	15, 37	6M5142	39	811-150C	43	890-961C	29, 31
2A0132	39	7M5316	39	811-192C	35	Dwg 24806	11
2A0208	39	800-001C	33	811-247C	29	Dwg 24810	23
2A0235-6	15, 37	800-080C	7, 11, 29, 31	811-386C	43	Dwg 24812	17
2A0236-9	15, 37	801-023C	41	811-685C	35	Dwg 37435	33
2A0246-16	15	802-014C	11	811-953C	21	dwg11421	37, 39
2A0308-1	37	802-023C	17	811-985C	13, 19	dwg24753	19
2A0581-1325	37	802-024C	43	814-039C	29, 31	dwg24754	13
2A0581-1900	15	802-062C	29, 31	814-058C	29, 31	dwg24755	21
2M5416	39	802-079C	29, 31, 43	815-092C	29, 31, 33	dwg24805	7
300-016H	29, 31	802-091C	27	815-230C	33	dwg24807	9
300-017H	29, 31	802-135C	33	815-231C	33	dwg24809	27
300-050D	29, 31	802-206C	11	816-286C	33	dwg24811	15
300-171H	7	802-208C	29, 31	816-504C	7	dwg24813	29
300-210H	7	802-211C	45	818-229C	23	dwg24821	45
300-210H81	7	802-223C	35	818-230C	23	dwg24842	35
300-210H82	7	802-224C	7	818-298C	23, 29, 31	dwg24906	31
300-212H	7	802-280C	29, 31	818-335C	29, 31	dwg25900	41
300-212H81	7	802-292C	11	818-339C	23	dwg39392	43
300-212H82	7	802-326C	29, 31	818-487C	23	N/A	15, 17, 41
300-213H	7	803-014C	29, 31, 35, 43	818-491C	23		
300-216A	13, 19	803-020C	27	818-681C	29, 31		
300-217A	9	803-021C	29, 31, 45	818-890C	23		
300-218H	29, 31	803-022C	41	820-035C	11		
300-219A	29	803-024C	29, 31	820-043C	11		
300-220H	9	803-026C	29, 31	820-046C	11		
300-222H	9	803-114C	17	821-011C	25		
300-223H	9	803-234C	17	821-011CGL	25		
300-224A	9	803-255C	7	821-011CQT	25		
300-225A	21	803-263C	11	821-011CTU	25		
300-227A	31	803-289C	33	821-054C	25		
300-277H	29, 31	803-304C	11	821-054CGL	25		
300-296D	7	803-308C	29, 31	821-054CQT	25		
300-375D	29, 31	804-007C	7	821-054CTU	25		
300-457D	43	804-013C	11, 29, 31, 35, 43	821-058C	25		
301-010A	27	804-015C	29, 31	821-058CGL	25		
301-011H	27	804-016C	29, 31	821-058CQT	25		
301-186A	45	804-021C	29, 31	821-058CTU	25		
301-203H	45	804-022C	29, 31, 45	821-066C	25		
301-204H	45	804-023C	11	821-066CGL	25		
301-208A	35	804-062C	29, 31	821-066CQT	25		
301-240D	11	804-065C	27	821-066CTU	25		
301-243H	11	804-066C	29, 31	821-067C	25		
301-246H	11	805-004C	9, 17, 21	821-067CGL	25		
301-250H	11	805-007C	9	821-067CQT	25		
301-255H	11	805-015C	7	821-067CTU	25		
301-257H	11	805-021C	7	821-070C	25		
301-258A	43	805-032C	15	821-070CGL	25		

This Page Intentionally Left Blank



Great Plains Manufacturing, Inc.

Corporate Office: P.O. Box 5060
Salina, Kansas 67402-5060 USA

www.landpride.com
