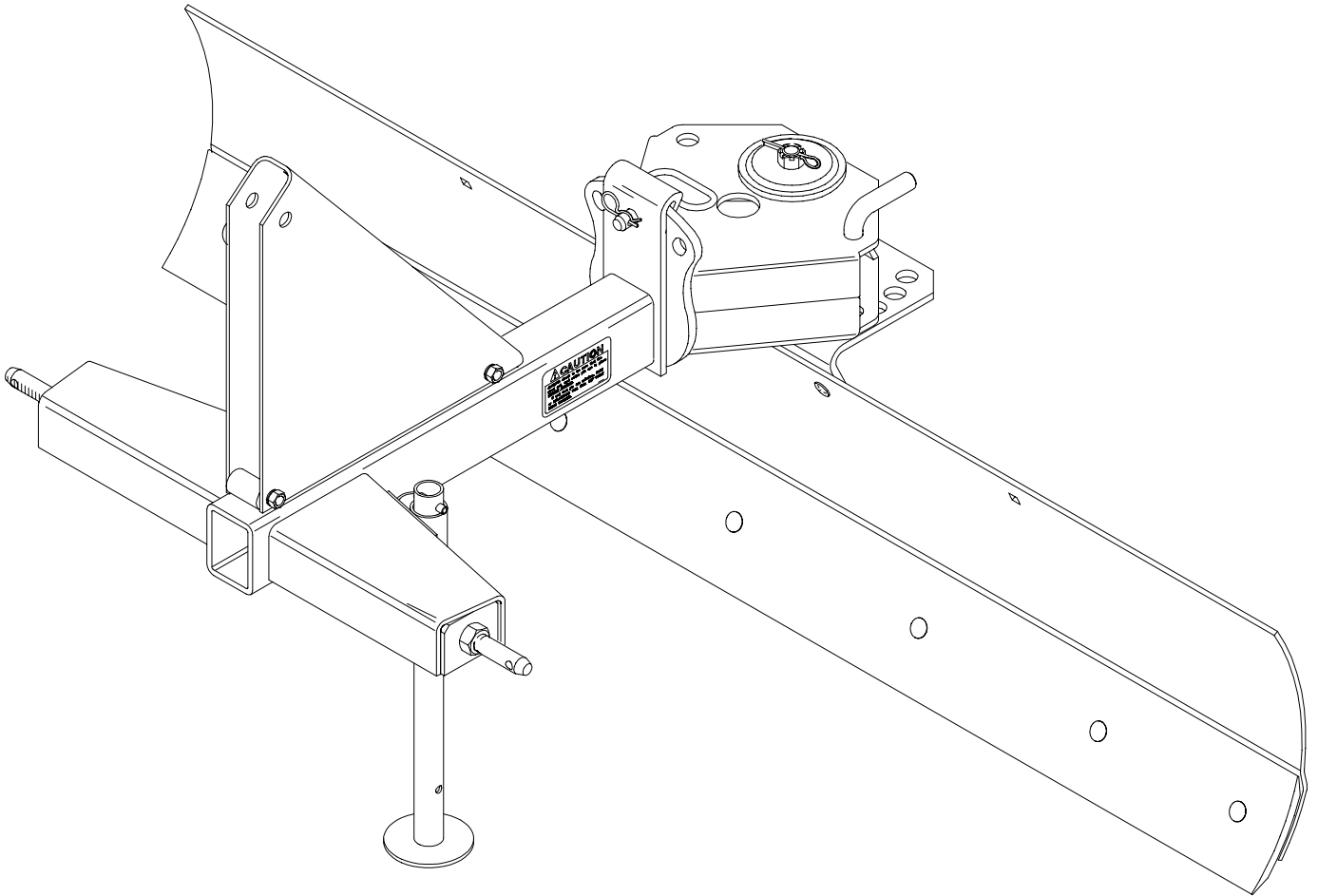


Rear Blades

RBT1560, RBT1572 & RBT1584



12017

301-144M
Operator's Manual



Read the Operator's manual entirely. When you see this symbol, the subsequent instructions and warnings are serious - follow without exception. Your life and the lives of others depend on it!

Cover photo may show optional equipment not supplied with standard unit.

© Copyright 2011 Printed 6/28/11



Important Safety Information	1	Section 5: Maintenance & Lubrication . .	14
Safety at All Times	1	Maintenance	14
Look For The Safety Alert Symbol	1	Storage	14
Safety Labels	4	Lubrication Points	15
Introduction	5	Moldboard and Blade	15
Application	5	Pivot Shaft	15
Using This Manual	5	Section 6: Specifications & Capacities .16	
Terminology	5	Section 7: Features and Benefits	17
Definitions	5	Section 8: Troubleshooting	18
Owner Assistance	5	Section 9: Torque Values Chart	19
Serial Number	5	Section 10: Warranty	21
Further Assistance	6		
Section 1: Assembly & Set-Up	7		
Tractor Requirements	7		
Torque Requirements	7		
RBT15 Rear Blades	7		
3-Point Hook-Up	7		
Section 2: Set-Up of Accessories	8		
Skid Shoes	8		
End Plates	8		
Rake Attachment	9		
Section 3: Adjustments	10		
Blade Pitch	10		
Blade Angling and reversing	10		
Blade Offset	10		
Blade Tilt	10		
Section 4: Operating Procedures	11		
Operating Checklist	11		
General Safety	11		
Inspection After Hook-Up	11		
Un-Hooking the Rear Blade	12		
Transporting	12		
Rear Blade Functions	12		
Grading	12		
Edge work	12		
Ditch Work	12		
Backfilling	12		
Basic Operating Instructions	13		
General Operating Instructions	13		



© Copyright 2011 All rights Reserved

Land Pride provides this publication "as is" without warranty of any kind, either expressed or implied. While every precaution has been taken in the preparation of this manual, Land Pride assumes no responsibility for errors or omissions. Neither is any liability assumed for damages resulting from the use of the information contained herein. Land Pride reserves the right to revise and improve its products as it sees fit. This publication describes the state of this product at the time of its publication, and may not reflect the product in the future.

Land Pride is a registered trademark.

All other brands and product names are trademarks or registered trademarks of their respective holders.

Printed in the United States of America.

Important Safety Information

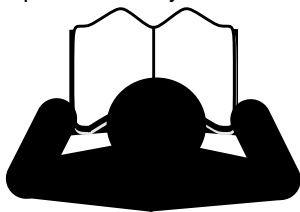
These are common practices that may or may not be applicable to the products described in this manual.

Safety at All Times

Thoroughly read and understand the instructions given in this manual before operation. Refer to the "Safety Label" section, read all instructions noted on them.

Do not allow anyone to operate this equipment who has not fully read and comprehended this manual and who has not been properly trained in the safe operation of the equipment.

- ▲ Operator should be familiar with all functions of the unit.
- ▲ Operate implement from the driver's seat only.
- ▲ Make sure all guards and shields are in place and secured before operating implement.
- ▲ Do not leave tractor or implement unattended with engine running.
- ▲ Dismounting from a moving tractor could cause serious injury or death.
- ▲ Do not allow anyone to stand between the tractor and implement while backing up to the implement.
- ▲ Keep hands, feet, and clothing away from power-driven parts.
- ▲ Wear snug fitting clothing to avoid entanglement with moving parts.
- ▲ Watch out for wires, trees, etc., when raising implement. Make sure all persons are clear of working area.
- ▲ Turning tractor too tight may cause implement to ride up on wheels. This could result in injury or equipment damage.
- ▲ Do not carry passengers on implement at any time.



Look For The Safety Alert Symbol

The SAFETY ALERT SYMBOL indicates there is a potential hazard to personal safety involved and extra safety precaution must be taken. When you see this symbol, be alert and carefully read the message that follows it. In addition to design and configuration of equipment, hazard control and accident prevention are dependent upon the awareness, concern, prudence and proper training of personnel involved in the operation, transport, maintenance and storage of equipment.

Be Aware of Signal Words

A Signal word designates a degree or level of hazard seriousness. The signal words are:

⚠ DANGER

Indicates an imminently hazardous situation which, if not avoided, will result in death or serious injury. This signal word is limited to the most extreme situations, typically for machine components that, for functional purposes, cannot be guarded.

⚠ WARNING

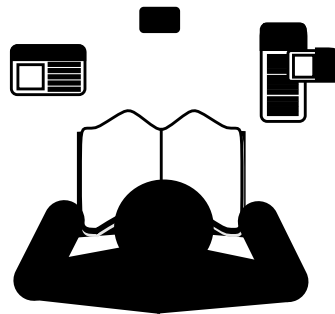
Indicates a potentially hazardous situation which, if not avoided, could result in death or serious injury, and includes hazards that are exposed when guards are removed. It may also be used to alert against unsafe practices.

⚠ CAUTION

Indicates a potentially hazardous situation which, if not avoided, may result in minor or moderate injury. It may also be used to alert against unsafe practices.

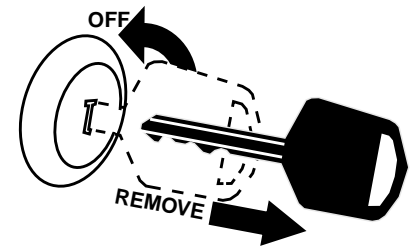
For Your Protection

- ▲ Thoroughly read and understand the "Safety Label" section, read all instructions noted on them.



Shutdown and Storage

- ▲ Lower machine to ground, put tractor in park, turn off engine, and remove the key.
- ▲ Detach and store implements in a area where children normally do not play. Secure implement by using blocks and supports.



Parts Manual QR Locator

The QR (Quick Reference) code on the front cover and to the left will take you to the Parts Manual for this equipment. Download the appropriate App on your smart phone, open the App, point your phone on the QR code and take a picture.



Dealer QR Locator

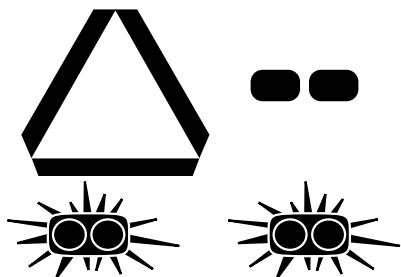
The QR code on the left will link you to available dealers for Land Pride products. Refer to Parts Manual QR Locator on this page for detailed instructions.

Important Safety Information

These are common practices that may or may not be applicable to the products described in this manual.

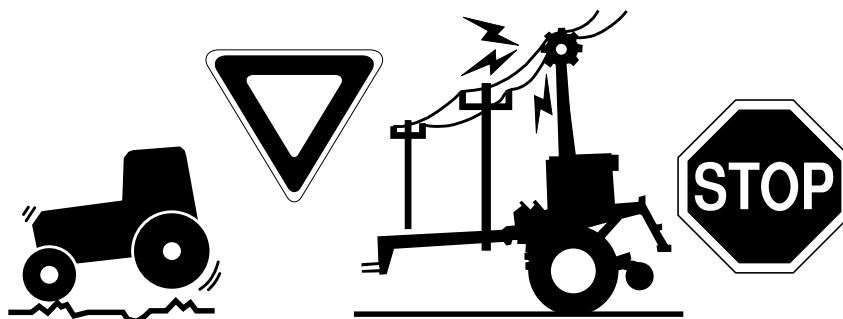
Use Safety Lights and Devices

- ▲ Slow moving tractors, self-propelled equipment, and towed implements can create a hazard when driven on public roads. They are difficult to see, especially at night.
- ▲ Flashing warning lights and turn signals are recommended whenever driving on public roads.



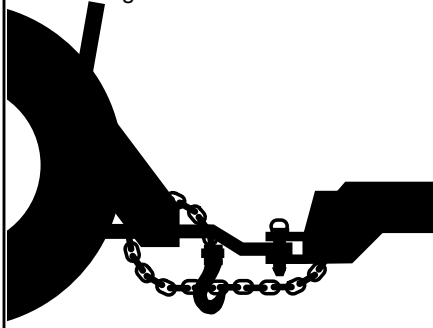
Transport Machinery Safely

- ▲ Comply with state and local laws.
- ▲ Maximum transport speed for implement is 20 mph. **DO NOT EXCEED.** Never travel at a speed which does not allow adequate control of steering and stopping. Some rough terrain require a slower speed.
- ▲ Sudden braking can cause a towed load to swerve and upset. Reduce speed if towed load is not equipped with brakes.
- ▲ Use the following maximum speed - tow load weight ratios as a guideline:
 - 20 mph** when weight is less than or equal to the weight of tractor.
 - 10 mph** when weight is double the weight of tractor.
- ▲ **IMPORTANT:** Do not tow a load that is more than double the weight of tractor.



Use A Safety Chain

- ▲ A safety chain will help control drawn machinery should it separate from the tractor drawbar.
- ▲ Use a chain with the strength rating equal to or greater than the gross weight of the towed machinery.
- ▲ Attach the chain to the tractor drawbar support or other specified anchor location. Allow only enough slack in the chain to permit turning.
- ▲ Do not use safety chain for towing.



Practice Safe Maintenance

- ▲ Understand procedure before doing work. Use proper tools and equipment, refer to Operator's Manual for additional information.
- ▲ Work in a clean dry area.
- ▲ Lower the implement to the ground, put tractor in park, turn off engine, and remove key before performing maintenance.
- ▲ Allow implement to cool completely.
- ▲ Do not grease or oil implement while it is in operation.
- ▲ Inspect all parts. Make sure parts are in good condition & installed properly.
- ▲ Remove buildup of grease, oil or debris.
- ▲ Remove all tools and unused parts from implement before operation.

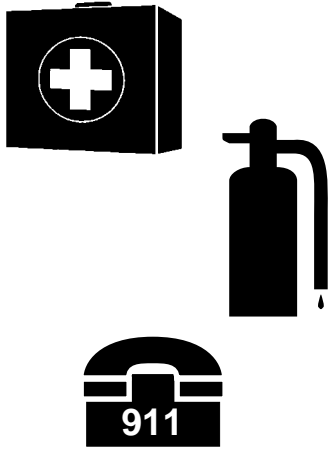


Important Safety Information

These are common practices that may or may not be applicable to the products described in this manual.

Prepare for Emergencies

- ▲ Be prepared if a fire starts.
- ▲ Keep a first aid kit and fire extinguisher handy.
- ▲ Keep emergency numbers for doctor, ambulance, hospital and fire department near phone.



Wear Protective Equipment

- ▲ Wear protective clothing and equipment appropriate for the job. Avoid loose fitting clothing.
- ▲ Prolonged exposure to loud noise can cause hearing impairment or hearing loss. Wear suitable hearing protection such as earmuffs or earplugs.
- ▲ Operating equipment safely requires the full attention of the operator. Avoid wearing radio headphones while operating machinery.



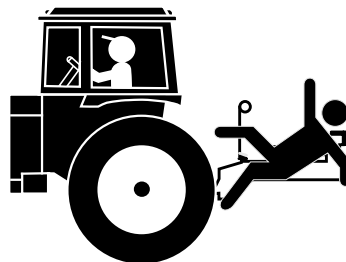
Avoid High Pressure Fluids Hazard

- ▲ Escaping fluid under pressure can penetrate the skin causing serious injury.
- ▲ Avoid the hazard by relieving pressure before disconnecting hydraulic lines or performing work on the system.
- ▲ Make sure all hydraulic fluid connections are tight and all hydraulic hoses and lines are in good condition before applying pressure to the system.
- ▲ Use a piece of paper or cardboard, NOT BODY PARTS, to check for suspected leaks.
- ▲ Wear protective gloves and safety glasses or goggles when working with hydraulic systems.
- ▲ If an accident occurs, see a doctor immediately. Any fluid injected into the skin must be treated within a few hours or gangrene may result.



Keep Riders Off Machinery

- ▲ Riders obstruct the operator's view, they could be struck by foreign objects or thrown from the machine.
- ▲ Never allow children to operate equipment.



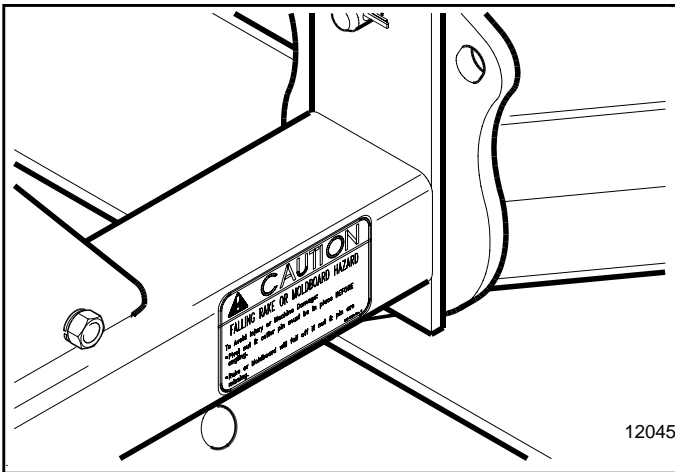
Important Safety Information

Safety Labels

Your Rear Blade comes equipped with all safety labels in place. They were designed to help you safely operate your implement. Read and follow their directions.

1. Keep all safety labels clean and legible.
2. Replace all damaged or missing labels. To order new labels go to your nearest Land Pride dealer.
3. Some new equipment installed during repair requires safety labels to be affixed to the replaced component as specified by Land Pride. When ordering new components make sure the correct safety labels are included in the request.

4. Refer to this section for proper label placement. To install new labels:
 - a. Clean the area the label is to be placed.
 - b. Spray soapy water on the surface where the label is to be placed.
 - c. Peel backing from label. Press firmly onto the surface.
 - d. Squeeze out air bubbles with the edge of a credit card.



818-202C

Caution: Retaining Nut

Introduction

Land Pride welcomes you to the growing family of new product owners.

This rear blade has been designed with care and built by skilled workers using quality materials. Proper assembly, maintenance and safe operating practices will help you get years of satisfactory use from the machine.

Application

The Land Pride RBT15 Series 3-Way Position Rear Blades are an excellent choice for leveling, finish grading, and backfilling applications at feedlots, outdoor arenas, building sites, nurseries, and maintenance operations on farms, ranches, or home owner lanes and roadways. They are excellent for snow removal in the pulling or push-blade mode. Their offset and tilt capability make them an excellent choice for construction and maintenance of drainage ditches, waterways, and soil contours. They also are very effective in maintaining silage pit operations.

The RBT15 Series Rear Blades are designed for Category I three-point hitch mounting, attachment to tractors in the 17 to 40 hp range and are Quick Hitch compatible. They come in 60", 72" and 84" working widths, offer 7 forward and 5 reverse angles and 5 tilt positions. The 14" tall rolled moldboard with its reversible cutting edge can be offset 12" to the left or right to cover either tractor tire and to allow operators to work right up next to retaining walls, abutments and raised curbing. A retractable parking stand is included to accommodate easier blade removal, storage and remount capabilities.

Available accessories includes end plates for holding material and skid shoes for blade protection. The moldboard can be removed to accommodate installation of a landscape rake attachment also available as an accessory.

See "**Specifications & Capacities**" on page 16 and "**Features and Benefits**" on page 17 for additional information and performance enhancing options.

Using This Manual

- This Operator's Manual is designed to help familiarize you with safety, assembly, operation, adjustments, troubleshooting, and maintenance. Read this manual and follow the recommendations to help ensure safe and efficient operation.
- The information contained within this manual was current at the time of printing. Some parts may change slightly to assure you of the best performance.
- To order a new Operator's or Parts Manual contact your authorized dealer. Manuals can also be downloaded, free-of-charge from our website at www.landpride.com.

Terminology

"Right" or "Left" as used in this manual is determined by facing the direction the machine will operate while in use unless otherwise stated.

Definitions

IMPORTANT: A special point of information related to the following topic. Land Pride's intention is this information must be read & noted before continuing.

NOTE: A special point of information that the operator should be aware of before continuing.

Owner Assistance

The Warranty Registration card should be filled out by the dealer at the time of purchase. This information is necessary to provide you with quality customer service.

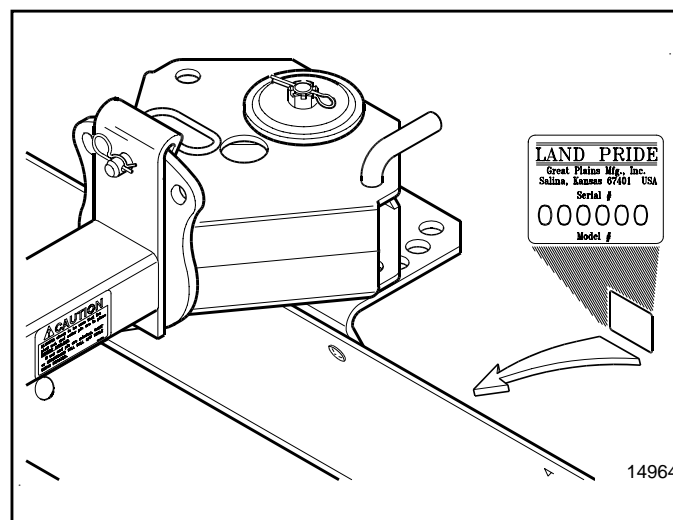
If customer service or repair parts are required contact a Land Pride dealer. A dealer has trained personnel, repair parts and equipment needed to service the Rear Blade.

The parts on your Rear Blade have been specially designed and should only be replaced with genuine Land Pride parts. Therefore, should your Rear Blade require replacement parts go to your Land Pride Dealer.

Serial Number

Model No. _____ Serial No. _____

For quick reference and prompt service, record model number and serial number in the spaces provided above and again on warranty page 21. Always provide model number and serial number when ordering parts and in all correspondences with your Land Pride dealer. Refer to Figure 1 for location of your serial number plate.



Serial Number Plate Location
Figure 1

Further Assistance

Your dealer wants you to be satisfied with your new Rear Blade. If for any reason you do not understand any part of this manual or are not satisfied with the service received, the following actions are suggested:

1. Discuss the matter with your dealership service manager making sure he is aware of any problems you may have and that he has had the opportunity to assist you.
2. If you are still not satisfied, seek out the owner or general manager of the dealership, explain the problem and request assistance.
3. For further assistance write to:

Land Pride Service Department

1525 East North Street

P.O. Box 5060

Salina, Ks. 67402-5060

E-mail address

lp servicedept@landpride.com

Section 1: Assembly & Set-Up

Tractor Requirements

Tractor horse power and hitch category should be within the range noted below. Tractors outside the horsepower range must not be used.

Tractor Horse Power Rating17-40 HP
 Hitch CategoryCat. I

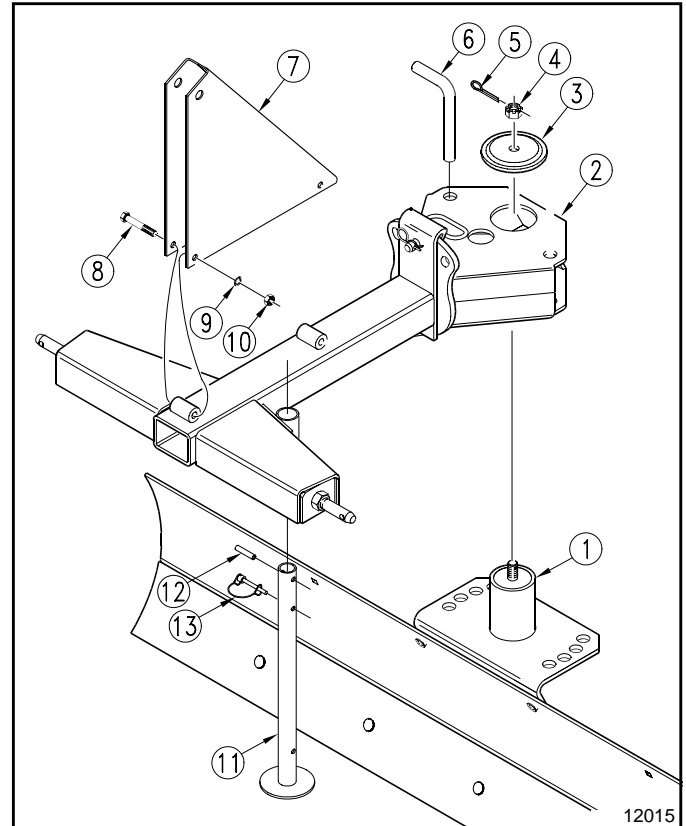
Torque Requirements

See "Torque Values Chart" on page 19 to determine correct torque values when tightening hardware.

RBT15 Rear Blades

Refer to Figure 1-1:

1. Insert blade pivot shaft (#1) through pivot hole in main frame (#2).
2. Place pivot cap (#3) over threaded pivot shaft protruding through pivot hole in main frame (#2).
3. Screw on slotted hex nut (#4) until vertical play is removed from pivot shaft. Secure slotted hex nut with cotter pin (#5).
4. Line up turntable holes in blade assembly (#1) and mainframe assembly and insert lock pin (#6).
5. Position upper hitch mast (#7) on main frame (#2) and insert bolts (#8). Install lock washers (#9) and hex nuts (#10). Tighten hex nuts to the proper torque.
6. Insert parking stand (#11) into parking stand bracket and secure with 3/8" x 1 3/4" lg. roll pin (#12).
7. Insert wire pin (#13) in the top hole when storing the blade. Raise parking stand up and secure wire pin in the bottom hole when blade is attached to a tractor.



RBT15 3-Way Rear Blade Assembly
 Figure 1-1

3-Point Hook-Up

Refer to Figure 1-2:

DANGER

A Crushing Hazard exists when hooking-up equipment to a tractor. Do not allow anyone to stand between the tractor and implement while backing-up to the implement. Do not operate hydraulic 3-point lift controls while someone is directly behind the tractor or near the implement.

DANGER

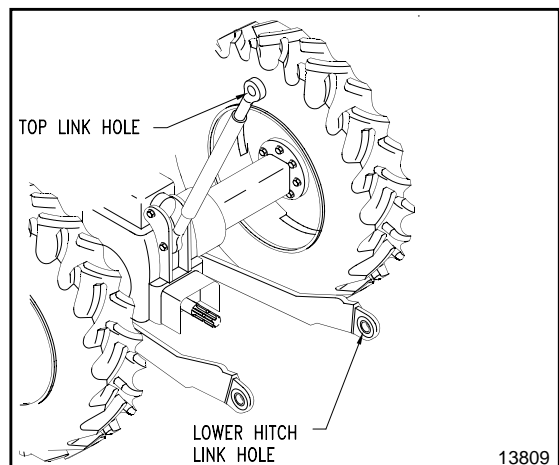
Always set tractor transmission in park, engage park brake, shut tractor engine off and remove switch key before allowing anyone including the operator to hook-up or unhook the Rear Blade from the tractor.

CAUTION

Always check to be sure slotted hex nut (#4) and cotter pin (#5) in Figure 1-1 are secured before using or working around the blade. If they are missing, the moldboard will fall off.

1. Ensure lower arms are stabilized to prevent excessive side movement.

2. Slowly back tractor up to the Rear Blade while using the tractor's 3-point hydraulic control lever to align the lower hitch link holes with the hitch pin holes on the blade.
3. Engage tractor park brake, shut tractor engine off and remove key before dismounting from tractor.
4. Secure lower arms to the hitch by inserting customer supplied linchpins through the hitch pins holes.
5. Connect top center link to the upper pivot hitch using customer supplied clevis pin and linch pin.



Tractor 3-Point Hitch
 Figure 1-2

Section 2: Set-Up of Accessories

Skid Shoes

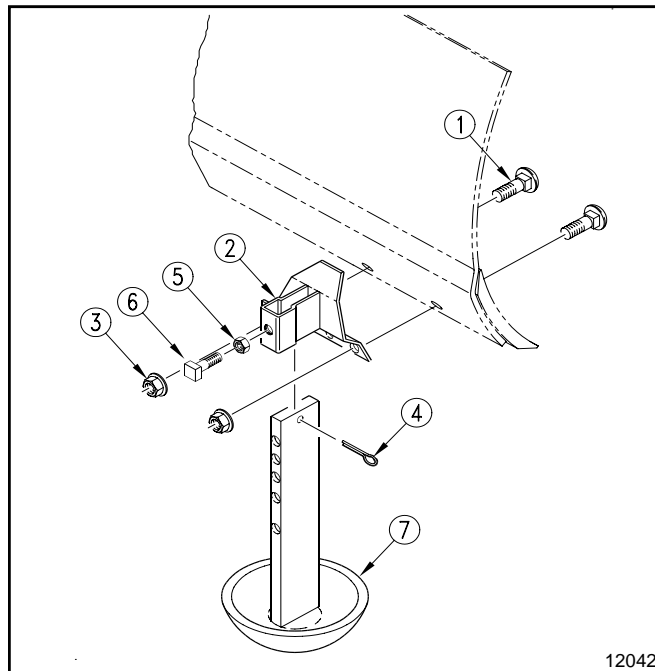
Kit Bundle (Pair of skid shoes)

301-330A. SKID SHOE ASSEMBLY

Refer to Figure 2-1:

The skid shoes (7' shown) are attached to both ends of the blade to help prevent damage to the surface of the ground by the blade.

1. Remove two 5/8"-11 x 1 3/4" GR5 plow bolts (#1) from the end of the blade. Keep hardware for installation of skid shoes.
2. Attach skid shoe bracket (#2) with 5/8"-11 x 1 3/4" GR5 plow bolts (#1) and hex flange lock nuts (#3). Tighten hardware to the correct torque.
3. Insert skid shoe (#7) into skid shoe bracket (#2). Secure with 1/2" hex nut (#5), 1/2"-13x 2" GR5 square head set screw (#6) and hair pin cotter (#4).
4. Repeat steps 1 through 3 for the other side.



**Skid Shoes
Figure 2-1**

End Plates

Kit Bundle (Pair of End Plates)

301-010A. END PLATES

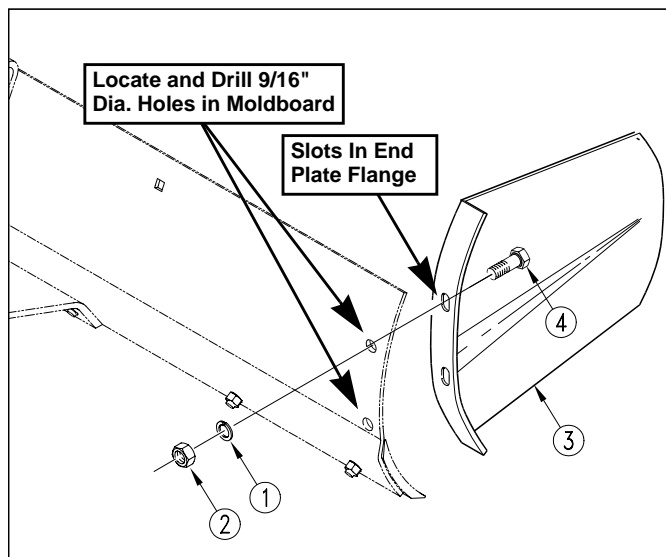
Refer to Figure 2-1:

End plates are attached to both ends of the blade, eliminating spillage when moving snow or loose material.

NOTE: Holes in the end of the moldboard will need to be drilled to mount the end plates.

Alternate tightening of bolts when installing mounting hardware. Some deflection may occur in moldboard.

1. Position end plate (#3) against right hand side of the moldboard with bottom of end plate flange approximately 1 1/4" up from bottom cutting edge of blade and end plate flange flush with end of mold board.
2. Mark location of holes to be drilled on moldboard. Hole location should be located approximately center of slots in end plate flange.
3. Drill two 9/16" diameter holes in the mold board.
4. Attach end plate (#3) to the moldboard as shown with two 1/2"-13 x 1 1/2" GR5 hex head cap screws (#4), spring lock washers (#1) and hex nuts (#2). Tighten hex nuts to the correct torque.
5. Repeat steps 1 to 4 for the left hand end plate.



**End Plates
Figure 2-2**

Section 2: Set-Up of Accessories

Rake Attachment

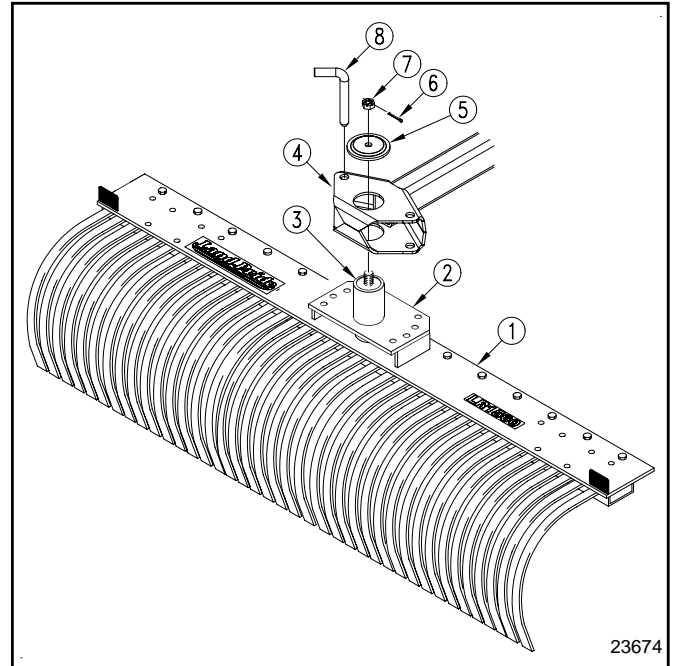
Kit Bundles

301-170A	60" Rake Attachment
301-171A	72" Rake Attachment
301-172A	84" Rake Attachment
301-173A	96" Rake Attachment

Refer to Figure 2-3:

The rakes are attached to the center pivot and are for raking rocks, dirt and sand; and are perfect for cleaning and preparing a site for seeding as well as general maintenance around farms, parks and beaches.

1. Remove lock pin (#8).
2. Stabilize rear blade and then remove cotter pin (#6), slotted hex nut (#7) and pivot cap (#5).
3. Raise main frame (#4) off of pivot pin (#3).
4. Set blade aside.
5. Rotate rake assembly (#1) such that it is facing forward.
6. Position main frame (#4) above pivot pin (#3) and carefully lower main frame (#4) onto pivot pin.
7. Secure rake assembly to the main frame with existing pivot cap (#5), slotted hex nut (#7) and cotter pin (#6). Bend one or more legs of cotter pin to keep pin from falling out.
8. Rotate rake assembly (#1) to the forward position and insert existing lock pin (#8).



Rake Attachment
Figure 2-3

23674

Section 3: Adjustments

Blade Pitch

Blade pitch can be adjusted by lengthening or shortening the tractor's top center 3-point link. Increasing the blade pitch will increase the blades digging ability.

Lengthen the link to increase blade pitch when grading while traveling forward. Shorten the link to decrease blade pitch.

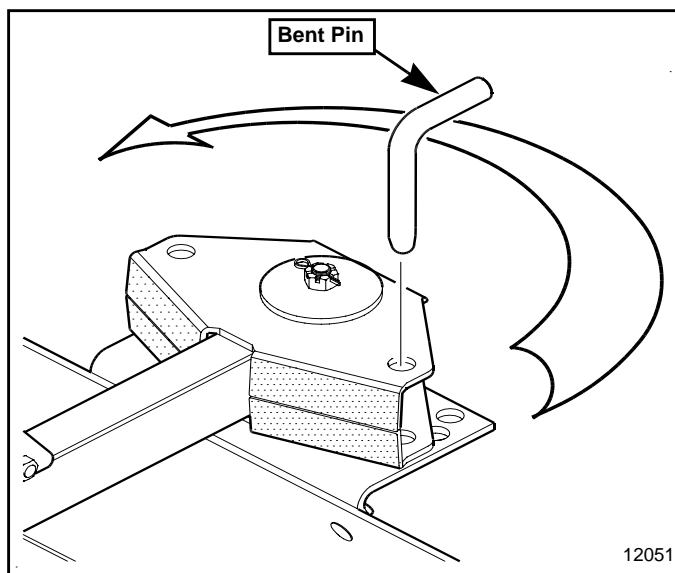
The opposite is true if backfilling. Shorten the link to increase blade pitch and lengthen the link to decrease blade pitch. To help protect the Rear Blade from damage while backfilling, lengthen the tractor's center top link until the blade will move across the top of the ground without forcing itself into the soil.

Blade Angling and reversing

Refer to Figure 3-1:

Eight holes are provided for angling the blade in either the forward or reverse position. The blade can be angled horizontally 45 degrees to each side of center in 15 degree increments.

- To angle blade pull bent pin on the mainframe and rotate blade. When at desired angle, reinsert bent pin.
- To reverse blade, pull bent pin on the mainframe and rotate blade around 180° and then reinsert bent pin.

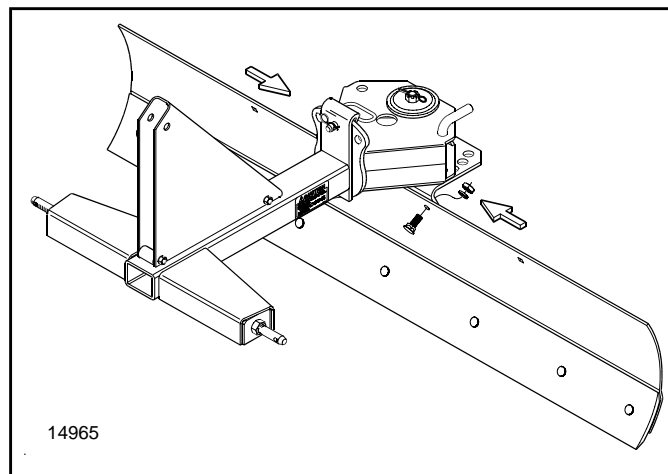


Blade Angling
Figure 3-1

Blade Offset

Refer to Figure 3-3:

The blade may be offset 12" right or left by unbolting the moldboard from the blade mount weldment and then rebolting it, using alternative holes provided on the moldboard.

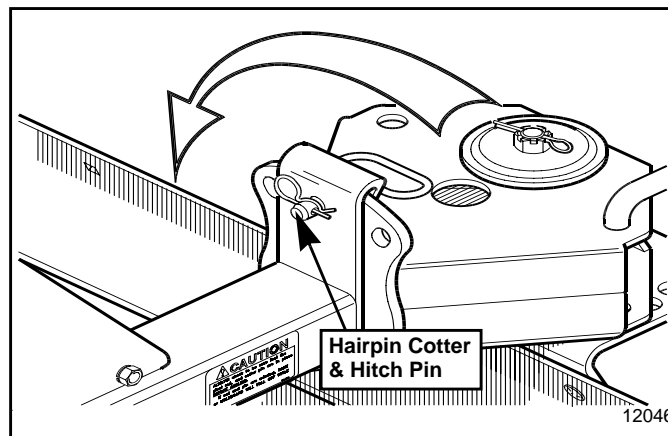


Blade Offset
Figure 3-3

Blade Tilt

Refer to Figure 3-2:

Five holes are provided for tilting the blade left or right up to 30 degrees in 15 degree increments. To tilt blade, pull hairpin cotter and hitch pin on the mainframe. Rotate blade to desired angle and then reinsert hitch pin and secure with hairpin cotter.



Blade Tilt
Figure 3-2

Section 4: Operating Procedures

Operating Checklist

Hazard control and accident prevention are dependent upon the awareness, concern, prudence and proper training involved in the operation, transport, maintenance and storage of the Rear Blade. Therefore, it is absolutely essential that no one operates the blade without first having read, fully understood and become totally familiar with the Operator's Manual. Make sure the operator has paid particular attention to:

- **Important Safety Information**, pages 1 to 4
- **Section 1: Assembly & Set-Up**, page 7
- **Section 2: Set-Up of Accessories**, page 8
- **Section 3: Adjustments**, page 10
- **Section 4: Operating Procedures**, page 11
- **Section 5: Maintenance & Lubrication**, page 14

Before beginning to operate your rear blade the following inspection should be performed.

Operating Checklist

✓	Check	Reference
	Check 3-point Hook-up procedure. Be sure all pins have been installed and are secured.	Page 7
	All blade adjustments have been made and pins have been installed and are secured.	page 10
	The operator has read and understood how to operate the blade.	Page 13
	Read and follow all Lubrication Instructions. Refer to the section on "Lubrication Points".	Page 15
	Check initially and periodically for loose bolts and pin connections. Make sure all hardware is tight and that worn or damaged hardware is replaced with properly rated hardware. Refer to the "Torque Values Chart" for torque values.	Page 19
	Make sure all safety labels are in their proper location and in good readable condition.	Page 4
	Inspect tractor safety equipment to make sure it is in good working condition.	Tractor Manual

General Safety

DANGER

Never carry a person on the Rear Blade. A person can fall and be ran over by the Rear Blade or tractor causing serious injury or death.

DANGER

Always support the underside of the Rear Blade with solid blocking before working beneath the unit. Never work under equipment supported by hydraulics. Hydraulics can drop equipment if controls are actuated or if hydraulic lines burst. Either situation can drop the Rear Blade instantly even when power to the hydraulics is shut off.

DANGER

Do not use blade tilt to raise tractor tires off the ground. Improper use can damaged the Rear Blade. Also, the hydraulic system can burst dropping the tractor causing serious injury or death.

WARNING

Do not use the Rear Blade for pulling fence posts, stumps, etc., lifting objects, carrying objects or towing other equipment. Any of the above can result in Rear Blade damage, serious bodily injury or death.

WARNING

Always keep a safe distance away from obstructions and be aware that the blade makes a wide swinging pattern when turning. Never hit an obstruction as this can damage the property, blade, tractor and cause bodily injury.

CAUTION

Do not push or pull other objects with the blade. Improper use can damage the Rear Blade.

CAUTION

Never angle and/or offset the blade into the tractor tires. This can damage the blade and tractor tires.

- Do not allow anyone to operate this implement who has not been properly trained in its safe operation and do not let children operate the implement.
- Place grade stakes if you intend to develop a specific grade or soil level.
- Always dress to stay warm in cold weather. Never allow body or extremities to become too cold. Go inside to warm-up before continuing when getting too cold.

Inspection After Hook-Up

Make the following inspections after attaching the Rear Blade to the tractor:

1. Inspect tractor safety equipment to make sure it is in good working condition.
2. Carefully raise and lower the implement to ensure that the drawbar, tires, and other equipment on the tractor do not contact the frame and moldboard.
3. Carefully pivot blade fully clockwise and offset blade to align end of moldboard with tractor tire. Raise and lower implement to ensure tractor tire and tractor do not contact end of blade.
4. Carefully pivot blade fully counterclockwise and offset blade to align end of moldboard with tractor tire. Raise and lower implement to ensure tractor tire and tractor do not contact end of blade.

Section 4: Operating Procedures

Un-Hooking the Rear Blade

Un-hook Rear Blade from the tractor as follows:

1. Park on a level solid hard surface. Place tractor gear selector in park and set park brake.
2. Lower parking jack and secure with hitch pin.
3. Lower blade and parking jack onto level ground or onto blocks supporting the unit just above ground.
4. Shut tractor engine off and remove key.
5. If necessary, adjust length of upper center 3-point link until the hitch pin can be removed from the hitch frame.
6. Remove hitch pins from the lower 3-point arms at the hitch frame.
7. Reinstall hitch pins, linch pins and hairpin cotters in the Rear Blade hitch frame for storage.
8. Refer to “**Storage**” instructions on page 14 when storing the Rear Blade for a long time.

Transporting



DANGER

Never allow a Rear Blade that extends beyond the tractor tire to strike solid objects such as a tree, post, guard rail, building or concrete abutment. Striking such an object can cause the tractor to pivot violently resulting in loss of control, serious injury or death.



DANGER

Make sure the Rear Blade does not block the tractor’s Slow Moving Vehicle (SMV) sign while transporting on a road. Install a SMV sign on the Rear Blade if the tractor’s SMV sign is blocked. Traffic not alerted to a slow moving tractor might hit the tractor causing serious injury or death.



DANGER

When traveling on public roads at night or during the day, use accessory lights and devices for adequate warning to operators of other vehicles. Comply with all federal, state and local laws.

1. Do not operate a tractor that has weak or broken brakes or worn tires.
2. When traveling on roadways:
 - Transport with blade centered behind the tractor to minimize blade overhang.
 - Transport in such a way that faster moving vehicles may pass you safely.
 - Slow down if traveling on a wet slick road.
3. Shift to a lower gear when traveling over rough or hilly terrain and when going downhill.

Rear Blade Functions

IMPORTANT: The warranty shall not apply to damage caused by misuse, abuse, or contact with obstructions.

Grading

Pivot moldboard to the desired angle, lower blade to the ground and set the tractor’s draft-link height control to the desired position. Proceed forward at a speed of no more than 2 to 4 mph. The blade should immediately begin shaving the surface.

A blade full of material can be raised slightly so that the material can flow out evenly under the blade to effectively shave off high spots and fill in potholes or depressions. Loose soil can be smoothed out by pushing the soil with the back of the moldboard while backing-up.

Edge work

If blade is wide enough, material close to fences, buildings and other obstructions can be graded by offsetting the moldboard to the right or left beyond the tractor tire. Make certain the end of the blade is offset far enough to be visible to the operator. Always keep a safe distance away from obstructions, drive slowly when passing by them and stay clear of them when turning. Always be aware that the blade will make a wide swinging pattern in a turn and always be ready to stop immediately. Never hit an obstruction as this can damage the blade and/or obstruction.

Ditch Work

Fill ditches by offsetting the blade beyond the tractor wheel to keep the tractor out of the ditch. Angle the blade to move the dirt toward and into the ditch while traveling forward. Set blade depth as needed (see “Grading” instructions on this page when setting blade depth).

Backfilling

Backfilling is a process where the operator turns the blade around 180° and pushes the product while backing-up. Be careful not to overstress the Rear Blade while backfilling as load forces on the blade and frame increase when backing up. To help protect the Rear Blade from damage, lengthen the tractor’s center top link until the blade will move across the top of the ground without forcing itself into the soil, adjust the offset to be straight behind the tractor and set the blade angle at 90° (perpendicular to the Mainframe). Keep the load in the center of the blade and not on the end of the blade. Don’t ram a load with the blade and always operate at slow speeds when backing-up. Be ready to stop immediately if a solid object is hit. Removing snow while backing-up is especially dangerous as snow can hide solid objects and there is a tendency to drive too fast to get the snow removal job done. High speeds multiply the forces exerted on the Rear Blade.

Section 4: Operating Procedures

Basic Operating Instructions

1. Thoroughly inspect the work area for buried utility cables, pipelines, sprinkler heads and any unforeseen objects. Mark any potential hazards.
2. Place grade stakes if you intend to develop a specific grade or soil level.
3. Adjust blade to the desired angle, tilt, and offset position before lowering blade to the ground.
4. Lower blade to the ground and proceed forward at a speed of no more than 2 to 4 mph. The blade should immediately begin shaving the soil surface.
5. Set tractor's draft-link height control lever to the desired grade position. If blade is set at a 90 degree angle to the direction of travel, it may be necessary to raise the blade slightly so that dirt and gravel can flow out evenly under the blade as it shaves off high spots and fills in potholes or depressions.

General Operating Instructions

Once you have familiarized yourself with the Operator's Manual, completed operations checklist, and properly attached your Land Pride Rear Blade to your tractor, you are almost ready to begin work. Hopefully you have checked out your work site for any buried utility cables, pipelines, sprinkler heads, or other obstacles that you wouldn't want to damage or encounter. Grade stakes should now be in place if you intend to develop a specific grade, elevation, soil contour, or roadbed crown.

An RBT15 Series Rear Blade's primary purpose is for grading or leveling of soil, gravel, or aggregate in the warmer months or snow removal in the colder months. These functions are best done at an approximate 2 to 4 mph ground speed. Becoming proficient with a rear blade takes practice. Tractor horsepower, your personal skill level, soil or aggregate composition, moisture levels, and compaction factors will all have a definite impact on how easily and effectively you get the job done. Develop a plan to achieve your expected results. Set the blade up at the proper angle or angles to do the job. This may require some experimentation to achieve the desired results. Lower Rear Blade to the ground and proceed forward at a speed of no more than 2 to 4 mph. The blade should immediately begin shaving the soil surface and dirt or aggregate material. Set the tractor's draft-link height control in the desired position. With blade angle set at 90 degrees, you may need to raise the blade slightly so that the dirt or gravel can flow out evenly under the blade while effectively shaving off high spots and filling in potholes or depressions. Skid shoes on the RBT15 Series Blades can help maintain a consistent blade height.

If you have the blade set at an angle, the shaved or accumulated material will begin to move outward toward the trailing edge of the blade. The greater the angle the more quickly the shaved material will be distributed off to the side. If it is necessary to work up next to a foundation, abutment, or raised curb, you may want to offset the blade so that the outside edge is beyond the outer edge of the

tractor tire. Back-filling operations may be more easily performed by reversing the blade and operating the tractor in reverse or commonly called the push mode. Be careful not to overstress the rear blade while back-filling as load forces on the blade and frame increase while backing-up.

If you are performing construction of soil contours or waterways, you will probably need to set a tilt angle on the blade to achieve the desired effect. If you are grading or cutting a new ditch bank or forming a road crown, you will probably want to offset the blade in combination with setting an appropriate tilt angle. This again will likely require some experimentation to gain desired results. If you are performing landscaping operations for the purpose of seedbed preparation, you may want to remove the moldboard and install an optional landscape rake component to achieve a truly professional finish. Snow removal techniques with a blade will be very similar to dirt working techniques and will require a little experimentation to become proficient.

With a little practice you should become a very good operator and consistently achieve the desired results you expect with your Land Pride RBT15 Series Rear Blade.

See "**Specifications & Capacities**" on page 16 and "**Features & Benefits**" on page 17 for additional information and performance enhancing options.

Section 5: Maintenance & Lubrication

Maintenance

Proper servicing and adjustment is the key to the long life of any implement. With careful inspection and routine maintenance, you can avoid costly down time and repair.

Check all bolts after using the unit for several hours to be sure they are tight. Replace any worn, damaged or illegible safety labels by obtaining new labels from your Land Pride Dealer.

The parts on your Rear Blade have been specially designed and should only be replaced with genuine Land Pride parts. Do not alter the blade in a way which will adversely affects its performance.

DANGER

Always secure the Rear Blade in the up position with solid supports before servicing under the Rear Blade. Never work under equipment supported by hydraulics. Hydraulics can drop equipment if controls are actuated or if hydraulic lines burst. Either situation can drop the Rear Blade instantly even when power to the hydraulics is shut off.

DANGER

Avoid injury from falling moldboard by always checking to make sure all hardware is secured properly before rotating blade. Moldboard will fall if slotted hex nut (#4) and cotter pin (#5) in "Figure 1-1" on page 7 are missing. A falling moldboard can damage the equipment, cause bodily injury and/or death.

WARNING

Do not alter the Rear Blade. Altering the blade can adversely affect its performance and reliability causing damage to the blade, tractor and/or bodily injury. Always replace damaged parts with original Land Pride parts.

CAUTION

Replace worn, damaged or missing parts with genuine Land Pride Parts. Replacing parts with other brands can cause the equipment to not perform properly and may lead to breakage that can cause bodily injury.

Storage

Clean, inspect, service and make necessary repairs to the Rear Blade when parking it for long periods and when parking it at the end of a working season. This will help ensure that the blade is ready for field use the next time you hook-up to it.

DANGER

Always secure blade in the up position with solid supports before servicing underside of the blade.

1. Clean off any dirt and grease that may have accumulated on the Rear Blade and then wash surfaces thoroughly with a garden hose.
2. Inspect for loose, damaged or worn parts and hardware. Adjust or replace parts as needed with genuine Land Pride Parts.
3. Lubricate as noted in "Lubrication Points" starting on page 15.
4. Replace all damaged or missing decals.
5. Store Rear Blade on a level surface in a clean, dry place. Inside storage will reduce maintenance and increase the life of the unit.
6. Follow all unhooking instructions on page 12 when disconnecting tractor from the Rear Blade.
7. Repaint parts where paint is worn or scratched to prevent rust. Ask your dealer for Aerosol Land Pride touch-up paint. Paint is also available in touch-up bottles with brush, quarts and gallon sizes by adding TU, QT or GL to the end of the Aerosol part number.

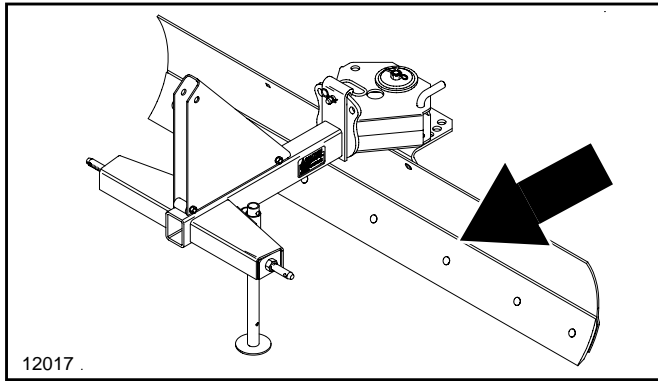
Land Pride Aerosol Touch-up Paint

Part No.	Part Description
821-011C	PAINT LP BEIGE AEROSOL SPRAY CAN
821-002C	PAINT LP BLACK AEROSOL SPRAY CAN
821-066C	PAINT ORANGE AEROSOL SPRAY CAN

8. A coating of oil or grease may be applied to the moldboard and blade to minimize oxidation.

Lubrication Points

Lubrication Legend	Multi-purpose spray lube	Multi-purpose grease lube	Multi-purpose oil lube	Intervals in hours at which lubrication is required

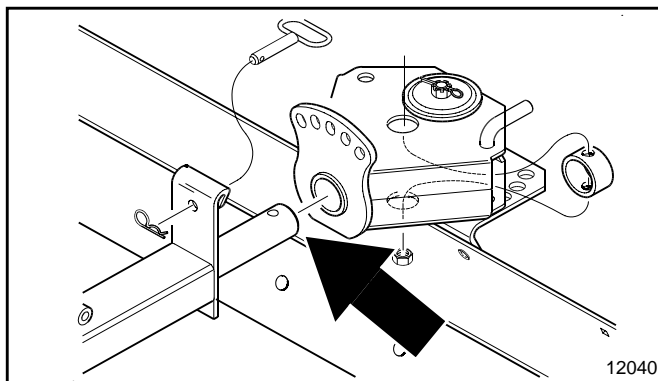


	Seasonally
--	-------------------

Moldboard and Blade

Grease moldboard and blade when storing for an extended period of time.

Type of Lubrication: Multi-Purpose
Quantity = Coat Generously



	Seasonally
--	-------------------

Pivot Shaft

Coat pivot shaft with grease seasonally or when binding occurs.

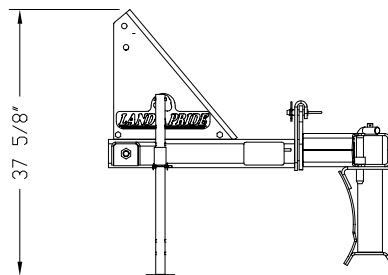
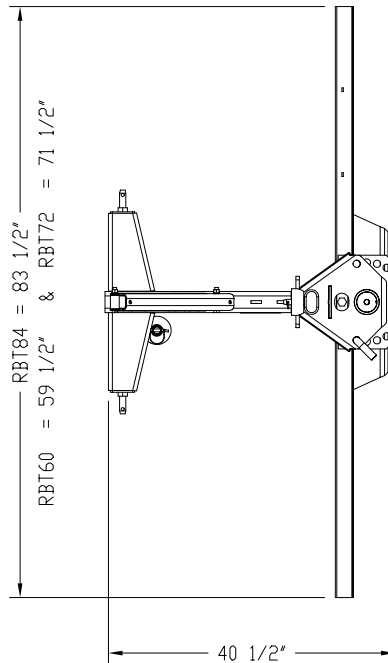
Type of Lubrication: Multi-Purpose
Quantity = Coat Generously

Table of Contents



Section 6: Specifications & Capacities

RBT15 Series			
	RBT1560	RBT1572	RBT1584
Blade Width	60"	72"	84"
Approximate Weight (lbs.)	283 lbs.	297 lbs.	319 lbs.
Horsepower Rating	17-40 Hp		
Hitch Type	Cat. 1		
Blade Angle	5 Forward positions up to 30 degrees clockwise and counterclockwise 7 Reverse positions up to 45 degrees clockwise and counterclockwise		
Blade Offset	12" left or right		
Blade Tilt	5 Positions; Maximum 30° up and 30° down in 15° increments		
Moldboard Height	14"		
Moldboard Thickness	1/4"		
Cutting Edge	1/2" x 6" Heat treated, Replaceable & Reversible (Double bevel)		
Parking Stand	Retractable		
Accessories	Skid Shoes, End Plates & Landscape Rake Adaptable		



27513



RBT15 Series

Features	Benefits
Warranty	One year parts & labor. See warranty page for complete details.
60", 72", 84" Working widths	Choice of three sizes to pick from.
17-40 HP rating	Fits a wide variety of small tractors between 17 & 40 HP.
Quick-Hitch	Fits Land Pride Quick-Hitch.
Blade angles left and right up to 45° in forward position and 30° in reverse position	(7 Forward positions in 15° increments and 5 reverse positions in 15° increments) Many angles for diverse jobs and results.
Blade offsets left or right 12"	Manually move moldboard to cover either tractor tire.
Blade tilts up or down up to 30°	(5 positions: Center, 2 clockwise and 2 counterclockwise) Allows operator to do simple tasks such as putting a crown in the middle of a road to making V-type ditches.
Formed 14" High rolled moldboard	Rolled moldboard allows material to flow easily, which means less drag, less HP.
Reversible cutting edge	For twice the life.
Parking Stand	Store unit with front of hitch off the ground, allows for easier hook-up.
Landscape Rake adaptable	Remove moldboard and add rake element to add diversity of frame.
Skid shoes (optional)	Set depth of blade to clear obstructions like manhole covers, street cracks.

Troubleshooting Chart

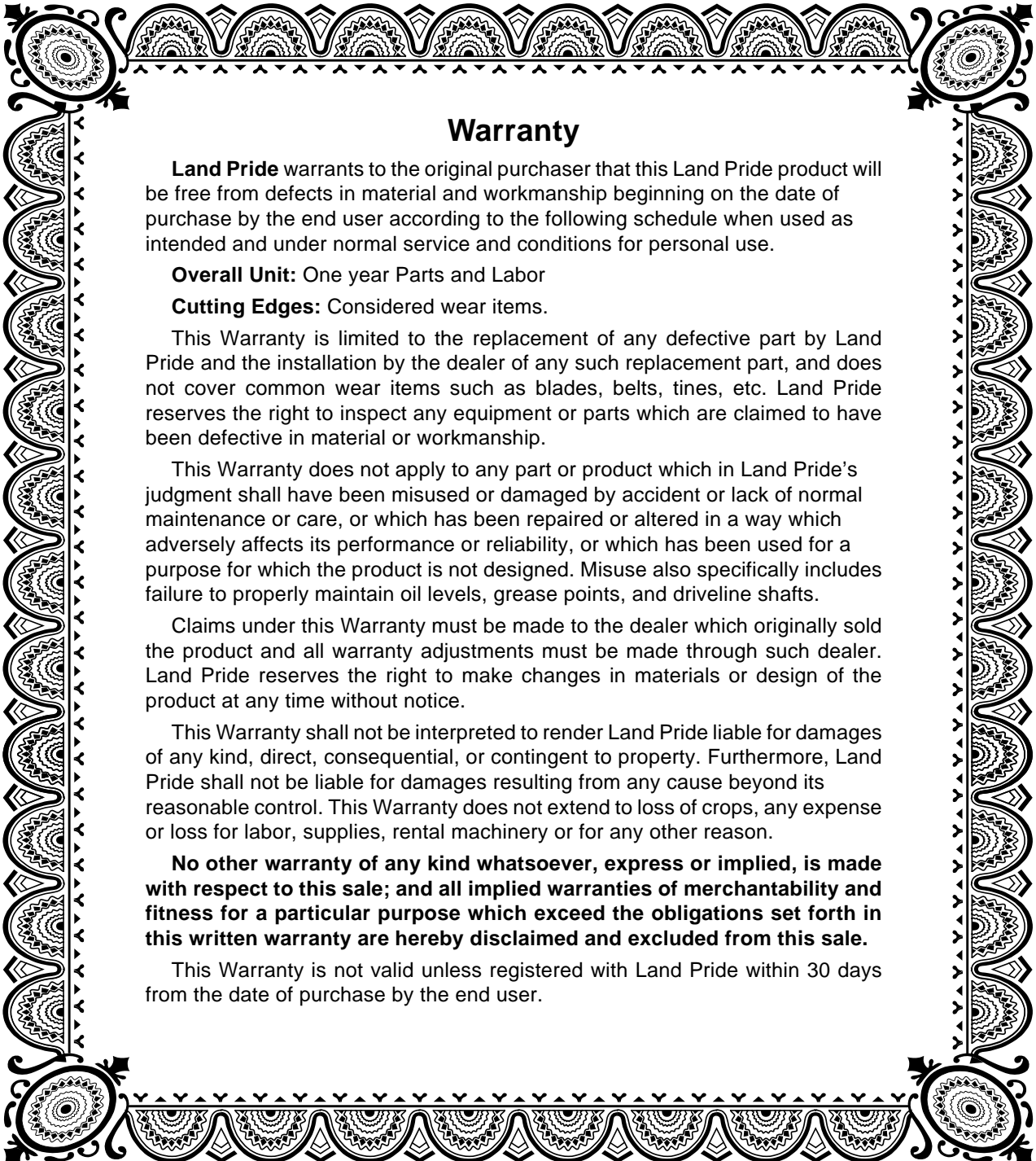
Problem	Cause	Solution
Bent Hitch Frame and/or Mainframe While Backfilling	Hitting one or more solid objects.	Check for solid objects before backfilling. Drive slow when in unknown conditions & stop immediately at first sign of trouble.
	Blade is digging too deep into the ground.	Lengthen top center 3-point link until blade quits digging in the ground.
	Mainframe is offset.	Align Mainframe so that it is straight.
	Load on moldboard is not centered.	Keep load in the center of the moldboard.
Bent Hitch Frame, Mainframe and/or Moldboard While Making a Turn	Swinging the Rear Blade into a solid object while making a turn.	Stay clear of solid objects while turning. Remember the back will make a wide swinging pattern when turning.
Bent Moldboard	The Moldboard could have a slight curve that developed during factory weld-up.	No solution required. Slight curve is acceptable and does not affect operation.
	Hitting one or more solid objects that are hidden or not hidden in the ground.	Check for solid objects before operating. Drive slow when in unknown conditions & stop immediately at first sign of trouble.
	Hitting a solid object with the end of the moldboard.	Keep moldboard ends a safe distance away from solid objects. Manually remove the last several inches of product away.
	Operating one of the three hydraulic cylinders (Offset, angle or tilt) with moldboard loaded or resting on the ground.	Make sure moldboard is empty of product and raised off the ground before activating any of the three hydraulic cylinders.
Blade Does Not Penetrate Soil	Ground is too hard.	Loosen soil with a Land Pride Scarifier. Apply water to the surface or wait for a rain.
	Blade cutting edge is too dull.	Replace blade to get a new cutting edge.
	Blade pitch is set too light.	Lengthen top center 3-point link.
Blade Penetrates Soil Too Deep When Traveling Forward.	Ground is too soft	Install Land Pride's Skid Shoes.
	Blade pitch is set too excessive.	Shorten top center 3-point link when traveling forward.
Grading Is Not Level	Tractor's draft-link height control is lifting the blade.	Set draft-link height control to the proper cutting depth.
Moldboard Falls From the Mainframe	Kingpin and/or Moldboard pivot pin retaining bolts are missing.	Check Kingpin & Moldboard pivot pin bolts daily. Make sure they are properly torqued. Apply loctite if they keep coming loose. Replace missing bolts.



Torque Values Chart													
Bolt Size (Inches)	Bolt Head Identification						Bolt Size (Metric)	Bolt Head Identification					
	Grade 2		Grade 5		Grade 8			Class 5.8		Class 8.8		Class 10.9	
in-tpi ¹	N · m ²	ft-lb ³	N · m	ft-lb	N · m	ft-lb	mm x pitch ⁴	N · m	ft-lb	N · m	ft-lb	N · m	ft-lb
1/4" - 20	7.4	5.6	11	8	16	12	M 5 X 0.8	4	3	6	5	9	7
1/4" - 28	8.5	6	13	10	18	14	M 6 X 1	7	5	11	8	15	11
5/16" - 18	15	11	24	17	33	25	M 8 X 1.25	17	12	26	19	36	27
5/16" - 24	17	13	26	19	37	27	M 8 X 1	18	13	28	21	39	29
3/8" - 16	27	20	42	31	59	44	M10 X 1.5	33	24	52	39	72	53
3/8" - 24	31	22	47	35	67	49	M10 X 0.75	39	29	61	45	85	62
7/16" - 14	43	32	67	49	95	70	M12 X 1.75	58	42	91	67	125	93
7/16" - 20	49	36	75	55	105	78	M12 X 1.5	60	44	95	70	130	97
1/2" - 13	66	49	105	76	145	105	M12 X 1	90	66	105	77	145	105
1/2" - 20	75	55	115	85	165	120	M14 X 2	92	68	145	105	200	150
9/16" - 12	95	70	150	110	210	155	M14 X 1.5	99	73	155	115	215	160
9/16" - 18	105	79	165	120	235	170	M16 X 2	145	105	225	165	315	230
5/8" - 11	130	97	205	150	285	210	M16 X 1.5	155	115	240	180	335	245
5/8" - 18	150	110	230	170	325	240	M18 X 2.5	195	145	310	230	405	300
3/4" - 10	235	170	360	265	510	375	M18 X 1.5	220	165	350	260	485	355
3/4" - 16	260	190	405	295	570	420	M20 X 2.5	280	205	440	325	610	450
7/8" - 9	225	165	585	430	820	605	M20 X 1.5	310	230	650	480	900	665
7/8" - 14	250	185	640	475	905	670	M24 X 3	480	355	760	560	1050	780
1" - 8	340	250	875	645	1230	910	M24 X 2	525	390	830	610	1150	845
1" - 12	370	275	955	705	1350	995	M30 X 3.5	960	705	1510	1120	2100	1550
1-1/8" - 7	480	355	1080	795	1750	1290	M30 X 2	1060	785	1680	1240	2320	1710
1-1/8" - 12	540	395	1210	890	1960	1440	M36 X 3.5	1730	1270	2650	1950	3660	2700
1-1/4" - 7	680	500	1520	1120	2460	1820	M36 X 2	1880	1380	2960	2190	4100	3220
1-1/4" - 12	750	555	1680	1240	2730	2010	¹ in-tpi = nominal thread diameter in inches-threads per inch ² N · m = newton-meters ³ ft-lb= foot pounds ⁴ mm x pitch = nominal thread diameter in millimeters x thread pitch						
1-3/8" - 6	890	655	1990	1470	3230	2380							
1-3/8" - 12	1010	745	2270	1670	3680	2710							
1-1/2" - 6	1180	870	2640	1950	4290	3160							
1-1/2" - 12	1330	980	2970	2190	4820	3560							

Torque tolerance + 0%, -15% of torquing values. Unless otherwise specified use torque values listed above.





Warranty

Land Pride warrants to the original purchaser that this Land Pride product will be free from defects in material and workmanship beginning on the date of purchase by the end user according to the following schedule when used as intended and under normal service and conditions for personal use.

Overall Unit: One year Parts and Labor

Cutting Edges: Considered wear items.

This Warranty is limited to the replacement of any defective part by Land Pride and the installation by the dealer of any such replacement part, and does not cover common wear items such as blades, belts, tines, etc. Land Pride reserves the right to inspect any equipment or parts which are claimed to have been defective in material or workmanship.

This Warranty does not apply to any part or product which in Land Pride's judgment shall have been misused or damaged by accident or lack of normal maintenance or care, or which has been repaired or altered in a way which adversely affects its performance or reliability, or which has been used for a purpose for which the product is not designed. Misuse also specifically includes failure to properly maintain oil levels, grease points, and driveline shafts.

Claims under this Warranty must be made to the dealer which originally sold the product and all warranty adjustments must be made through such dealer. Land Pride reserves the right to make changes in materials or design of the product at any time without notice.

This Warranty shall not be interpreted to render Land Pride liable for damages of any kind, direct, consequential, or contingent to property. Furthermore, Land Pride shall not be liable for damages resulting from any cause beyond its reasonable control. This Warranty does not extend to loss of crops, any expense or loss for labor, supplies, rental machinery or for any other reason.

No other warranty of any kind whatsoever, express or implied, is made with respect to this sale; and all implied warranties of merchantability and fitness for a particular purpose which exceed the obligations set forth in this written warranty are hereby disclaimed and excluded from this sale.

This Warranty is not valid unless registered with Land Pride within 30 days from the date of purchase by the end user.

Model Number _____

Serial Number _____



Corporate Office: P.O. Box 5060
Salina, Kansas 67402-5060 USA
www.landpride.com
