

Hitch Extension Kit Cat. 0 to Cat I Assembly Instructions



For RB05 Series Rear Blades S/N 976533-
and LR05 Series Landscape Rakes S/N 976533-

Manual No. 300-276M

Before You Start

IMPORTANT: Before you begin, please read these assembly instructions and check to be sure all parts and tools are accounted for. Please retain these instructions for future reference and parts ordering information.

This Hitch Extension Kit is designed to convert Land Pride RB05 Series Rear Blades and LR05 Series Landscape Rakes which have a Cat. 0 with Cat. I pins (Cat. I Limited) hitch over to a Cat. I hitch width. This conversion kit allows end users to use Land Pride's QH05 and QH15 Quick Hitches for easy hook-up.

Please read these installation instructions and your Rear Blade or Landscape Rake Operator's Manual thoroughly before beginning. Especially read information relating to safety.

A separate Parts Manual for replacement parts can be purchased from your nearest Land Pride dealer or downloaded free of charge from our web site at www.landpride.com. Have model and serial numbers handy when placing an order.

Manual Part Numbers:

- RB05 Series Operator's Manual 301-143M
- RB05 Series Parts Manual 301-143P
- LR05 Series Operator's Manual 302-185M
- LR05 Series Parts Manual 302-185P

General Information

Tools required:

- Safety glasses
- Work gloves
- Center punch
- Hammer
- Electric drill with 13/32" drill bit
- Extension cord (if required)
- Two 9/16" box end or open end wrenches
- Two 1 5/16" box end or open end wrenches

Further Assistance

Your dealer wants you to be satisfied with your new Hitch Extension Kit. If for any reason you do not understand any part of this manual or are not satisfied with the service received, follow actions outlined under "**Further Assistance**" in your Rear Blade or Landscape Rake Operator's Manual.

Assembly Instructions

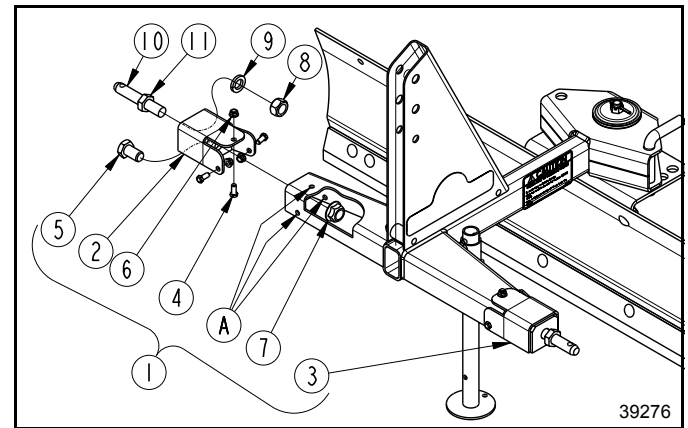
300-274A Extension Cat. 0 to Cat. I Kit

A detailed listing of parts for this accessory kit is provided on the back of this page. Use the list as a checklist to inventory parts received. Please contact your local Land Pride dealer for any missing hardware.

Refer to Figure 1:

The steps listed below must be followed to install this kit:

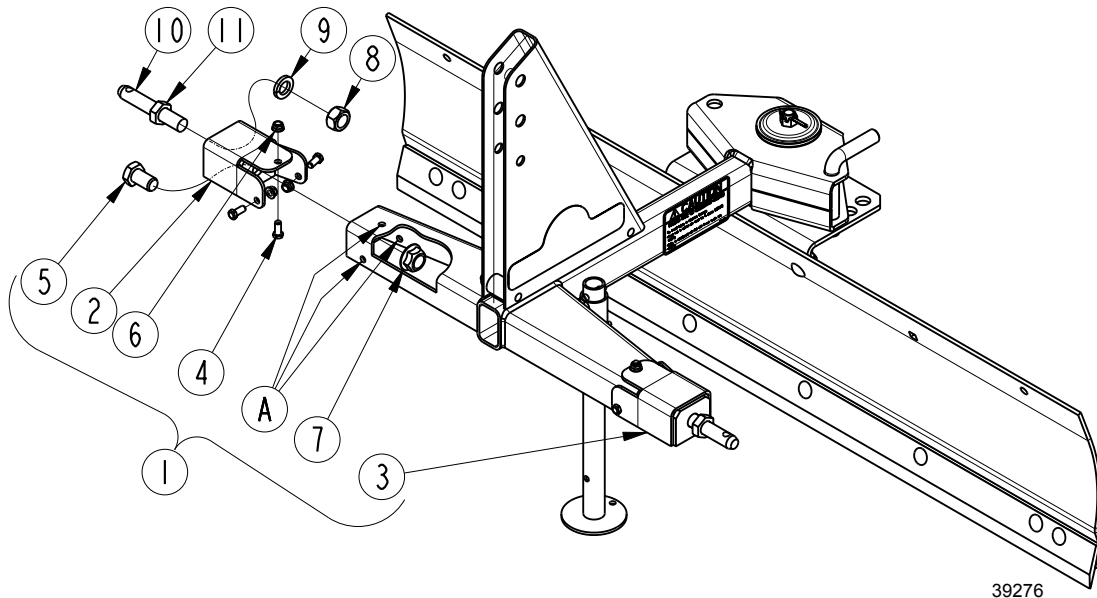
1. Rear Blade or Landscape Rake must be unhooked and parked on a flat surface with park stand supporting the 3-point hitch off the ground.
2. From both ends of the hitch frame, remove existing hardware (#8 & #9) and draw pins (#10) with jam nuts (#11). Keep draw pins and hardware for reuse.



Assembly of Hitch Extensions (Rear Blade Shown)

Figure 1

3. With open side down and flared side facing back, make a trial fit by sliding right-hand extension (#2) onto the end of the hitch frame as shown.
4. Grind away any excess welds that interfere with fit-up of right-hand extension (#2).
5. Install right-hand extension (#2) to the hitch frame with 7/8"-9 x 1 1/2" GR5 bolt (#5) and secure with hex flange lock nut (#7). Tighten nut to the correct torque.
6. Using the three holes in extension (#2) as a guide, drill three 13/32" diam. holes through the hitch frame.
7. Install all three 3/8"-16 x 7/8" GR5 bolts and secure with hex flange lock nuts (#6). Tighten lock nuts to the correct torque.
8. Attach existing draw pin (#10) with hex jam nut (#11) to extension (#2) with lock washer (#9) and hex nut (#8). Draw hex nut (#8) up snug.
9. Insert a punch in draw pin hole. Keep draw pin hole vertical while tighten nut (#8) to the correct torque.
10. Repeat steps 3 thru 9 for the left-hand extension (#3).



39276

Extension Cat. 0 to Cat. 1 Kit

Item	Part No.	Part Description	Qty
1.	300-274A	EXTENSION CAT0 TO CAT1 KIT	
2.	300-272H	RH EXTENSION CAT0 TO CAT1	1
3.	300-273H	LH EXTENSION CAT0 TO CAT1	1
4.	802-417C	HHCS 3/8-16X7/8 GR5	6
5.	802-622C	HHCS 7/8-9X1 1/2 GR5	1
6.	803-209C	NUT FLANGE LOCK 3/8-16 PLT	6
7.	803-349C	NUT HEX FLG LCK 7/8-9 PLT	1

NOTE: Refer to Parts Manual for non kit Items 8 thru 11.



Corporate Office: P.O. Box 5060
 Salina, Kansas 67402-5060 USA
www.landpride.com